

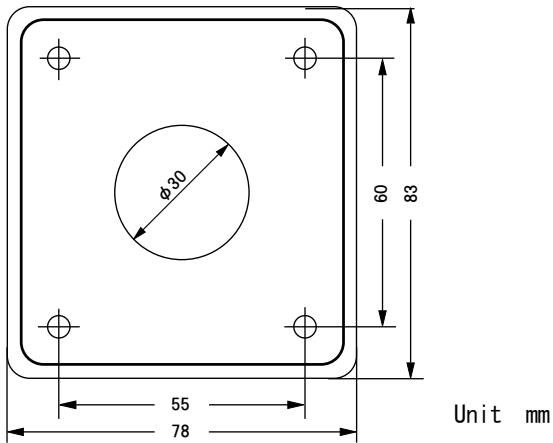
TANGO

# XE-20S (Single output transformer) Data

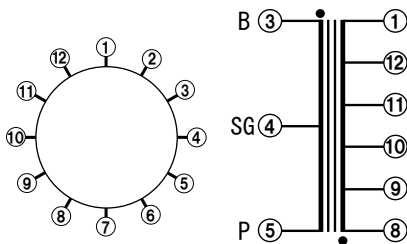
■ Standard

- ◇ Output . . . . . 20W (35Hz/2. 5kΩ, 40Hz/3. 5kΩ, 50Hz/5kΩ)
- ◇ Primary inductance . . . . . 1mW/h 16H、MAX 18H (50Hz、DC 80mA)
- ◇ Primary allowable DC current . . . . . 160mA
- ◇ Power loss (16Ω) . . . . . 0. 26dB (5kΩ)、0. 33dB (3. 5kΩ)、0. 47dB (2. 5kΩ)
- ◇ 1 winding resistance (20°C) . . . . . 110Ω
- ◇ Frequency line characteristics . . . . . 20Hz ~ 90kHz (Zp=2. 5kΩ)  
 (-2 dB、DC30mA、Zs=8Ω)                                    25Hz ~ 90kHz (Zp=3. 5kΩ)  
 35Hz ~ 70kHz (Zp=5kΩ)
- ◇ Weight . . . . . 2kg

■ Dimensions



■ Terminal connection diagram



zp	zs CONNECTION	
	16Ω	8Ω
2.5kΩ	①—⑧	①—⑩
3.5kΩ	①—⑨	①—⑪
5kΩ	①—⑩	①—⑫