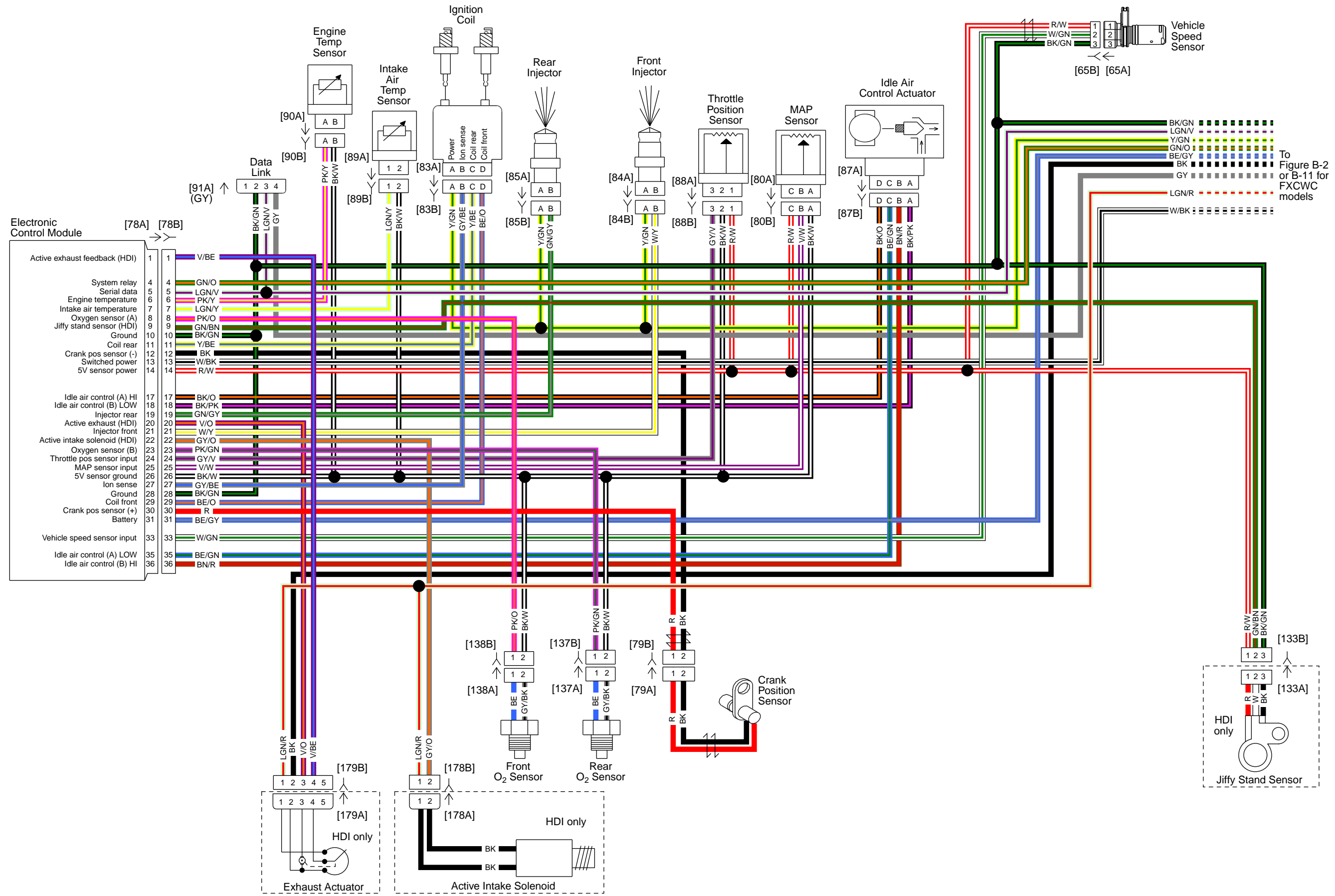


IGNITION SWITCH LEGEND

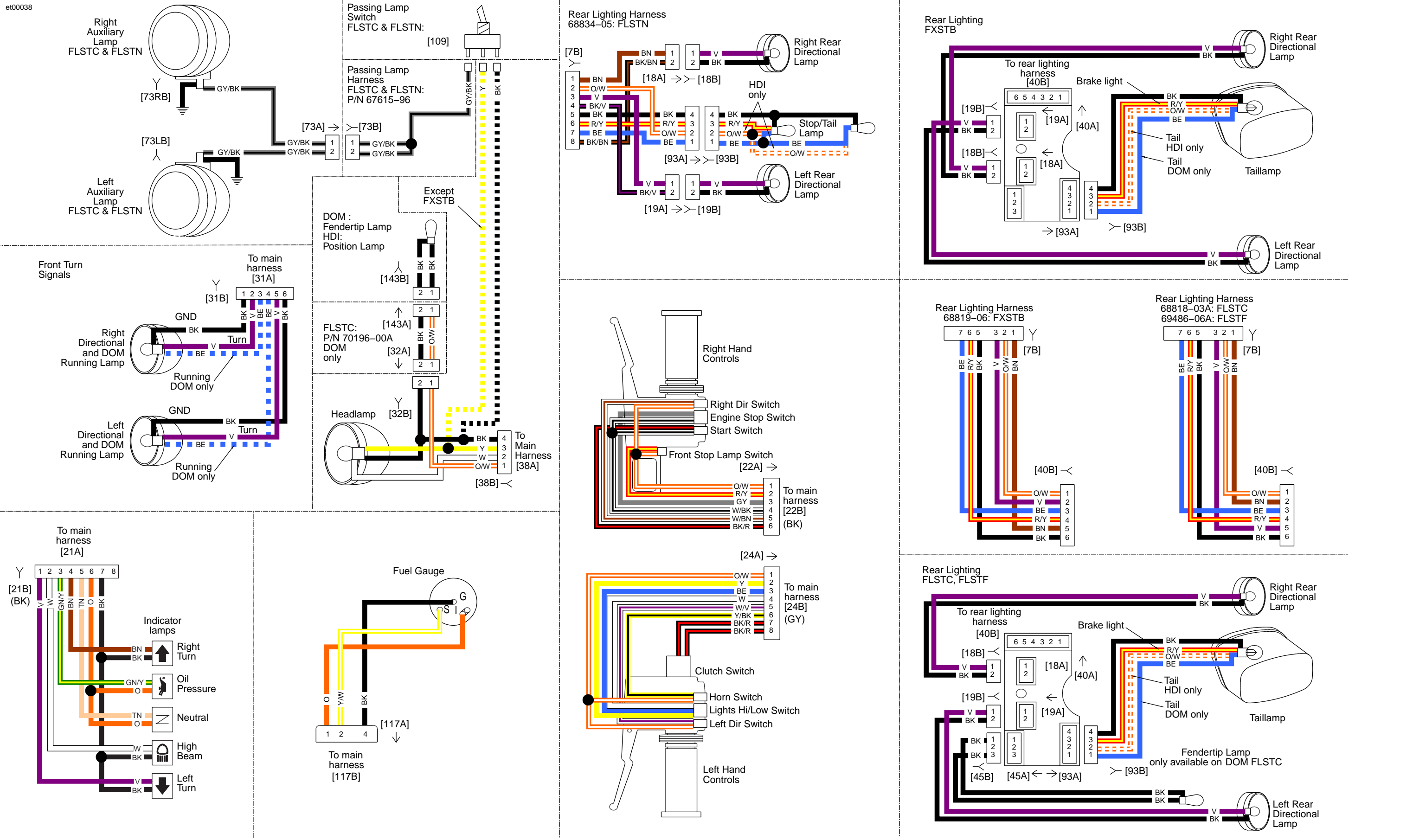
"X" INDICATES CONTINUITY BETWEEN LEAD WIRES IN POSITION INDICATED

SWITCH POSITION	RED	RED/ GRAY	RED/ BLACK
LOCK	X		
OFF	X		
IGN	X	X	X
ACC	X	X	

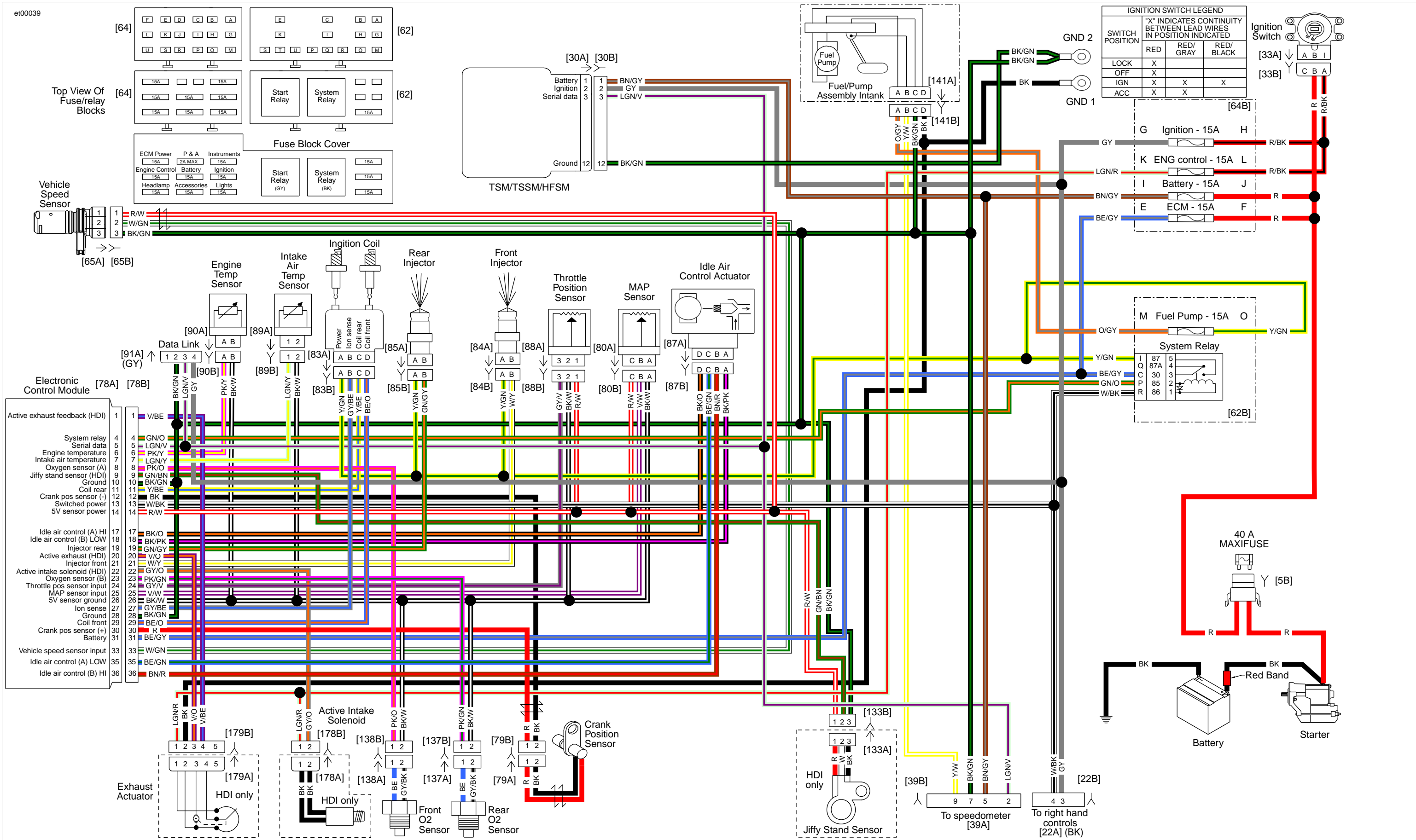
2008 ALL SOFTAIL DOM. and INT. MODELS (EXCEPT FXCWC), MAIN HARNESS



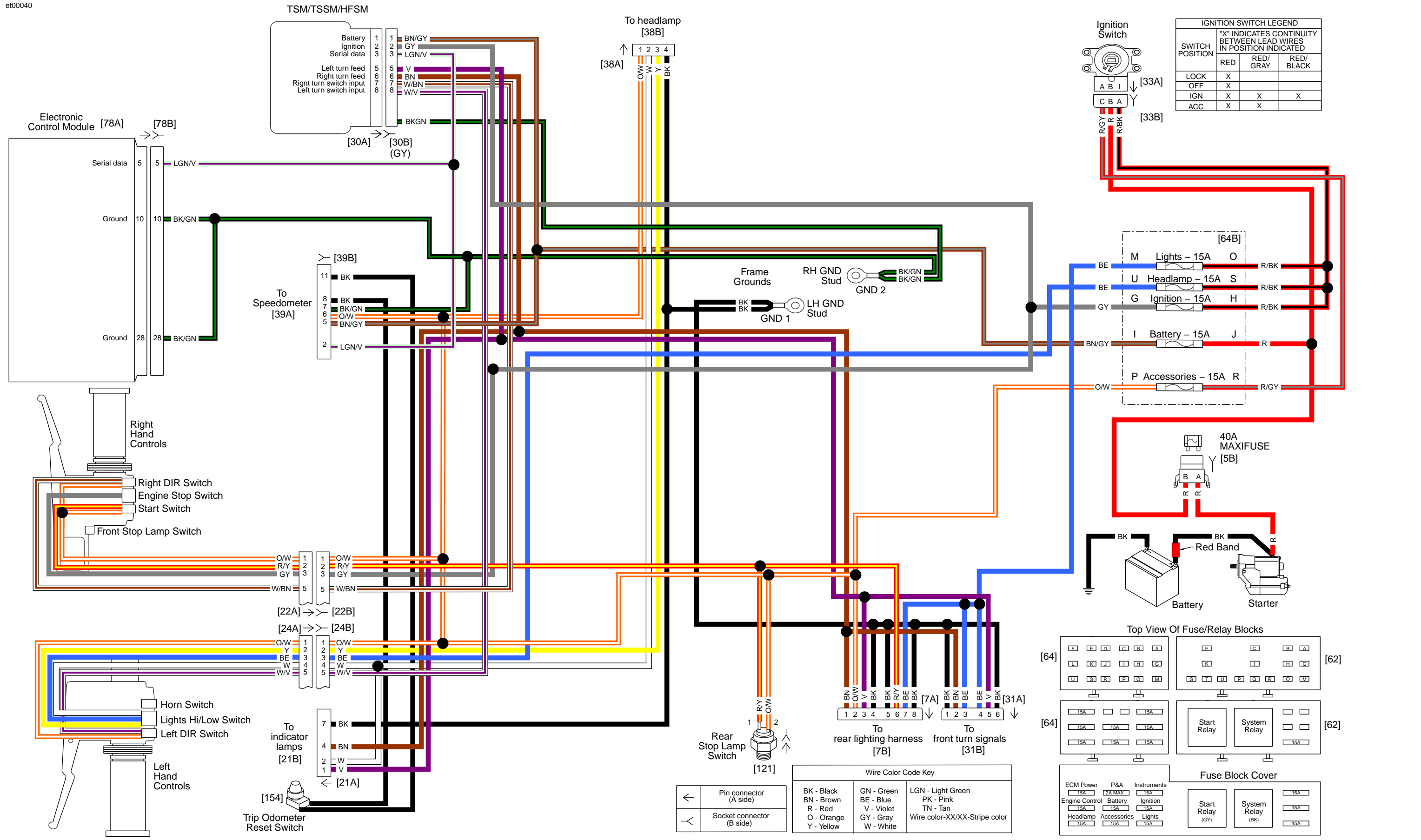
2008 ALL SOFTAIL DOM. and INT. MODELS (INCLUDING FXCWC), MAIN HARNESS



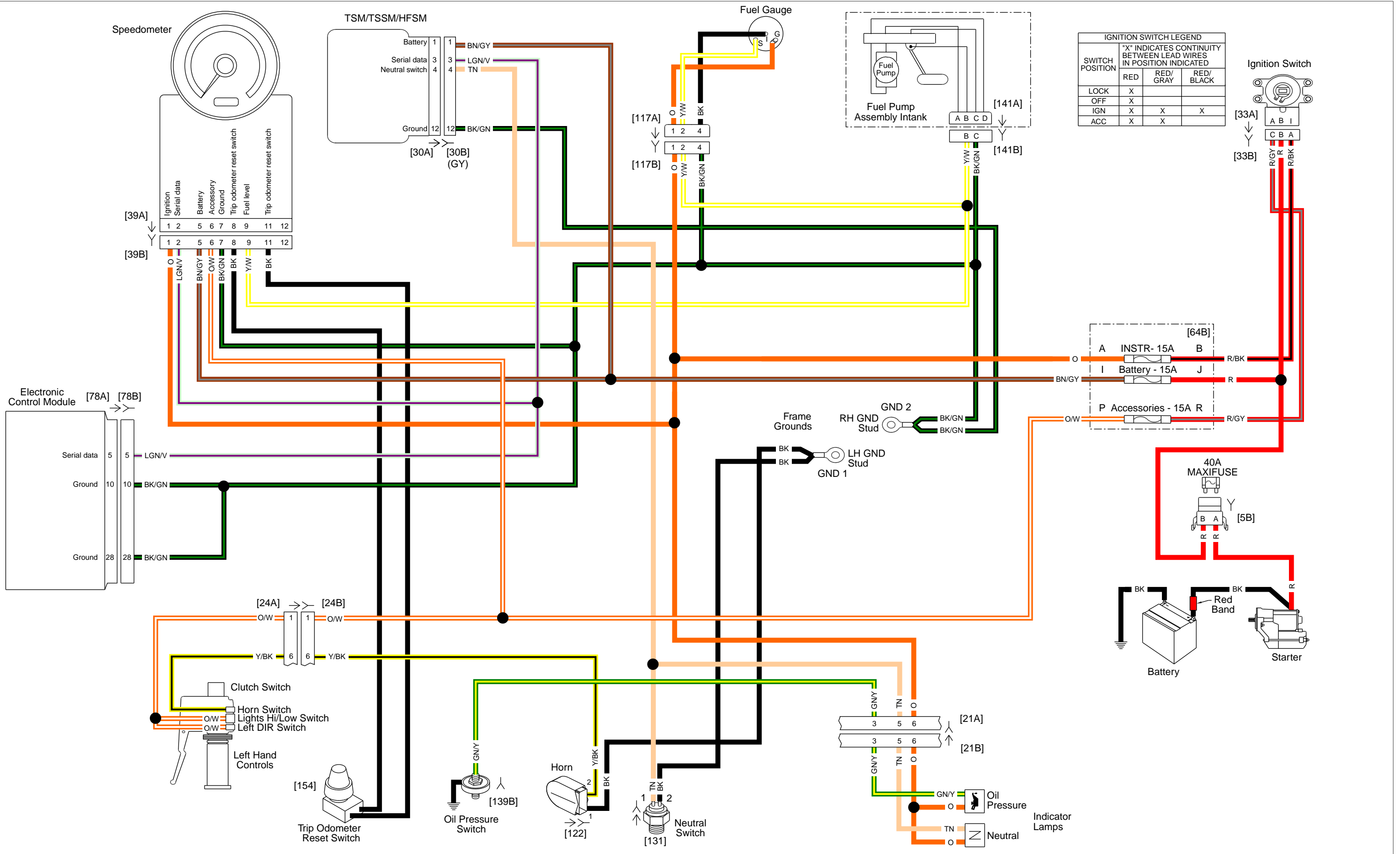
2008 ALL SOFTAIL DOM. and INT. MODELS (EXCEPT FXCWC) HANDLEBAR SWITCHES, INDICATORS AND LIGHTING)



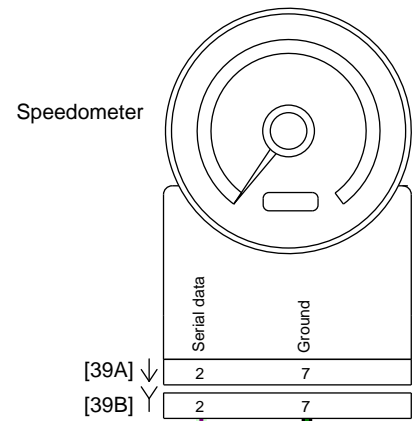
2008 ALL SOFTAIL DOM. and INT. MODELS (EXCEPT FXCWC), IGNITION CIRCUIT



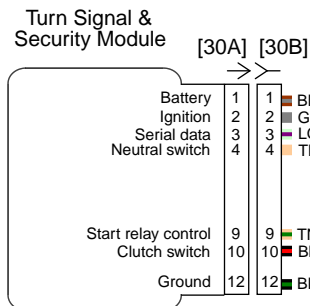
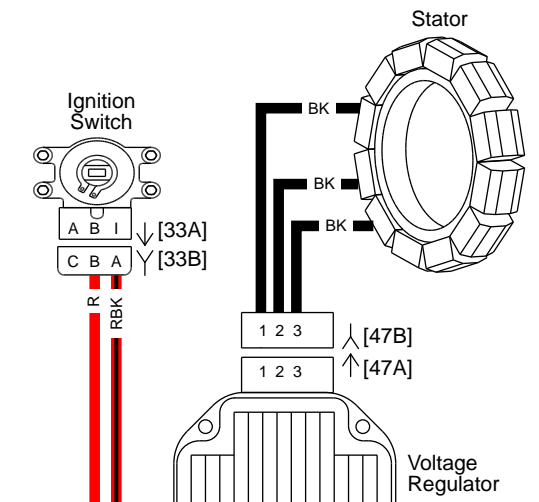
2008 ALL SOFTAIL DOM. and INT. MODELS (EXCEPT FXCWC), LIGHTING CIRCUIT



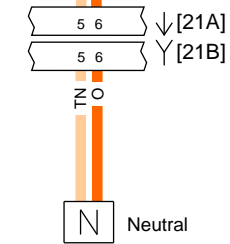
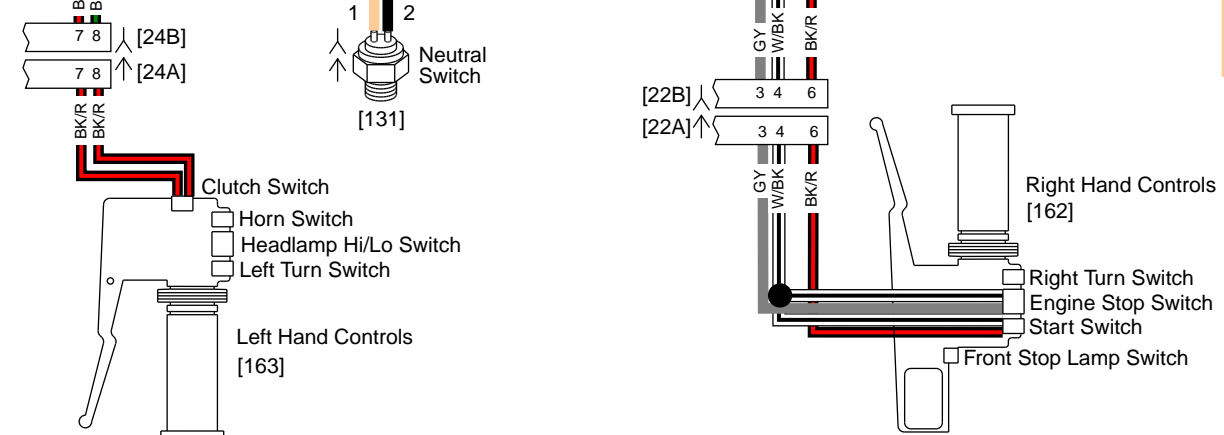
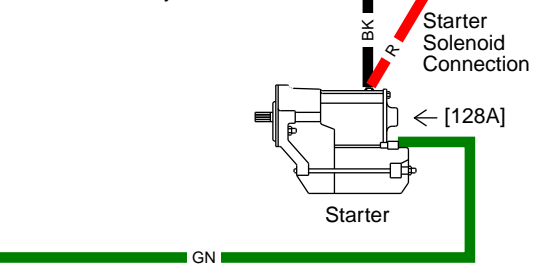
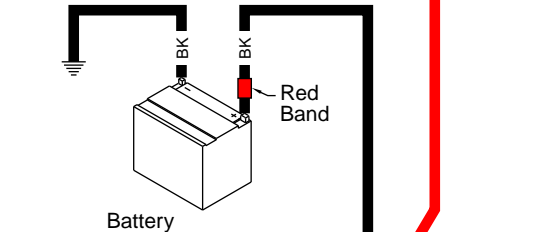
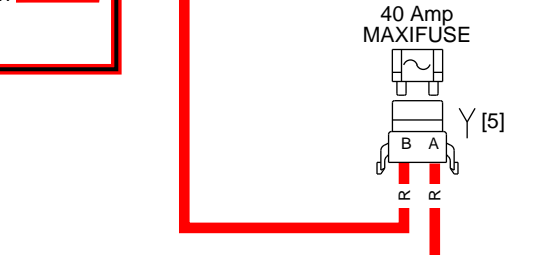
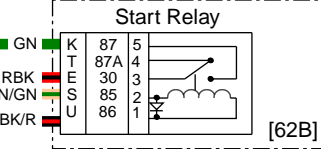
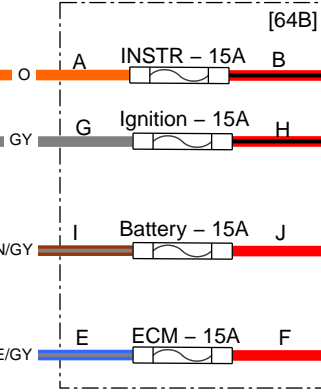
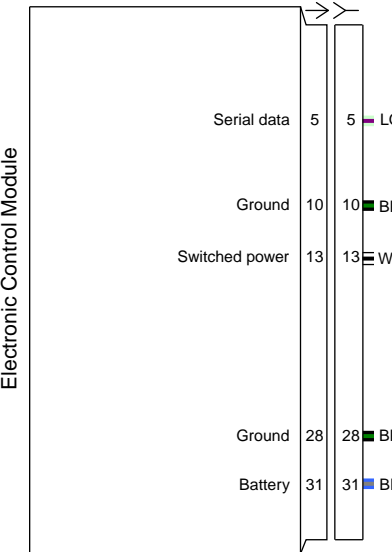
2008 ALL SOFTAIL DOM. and INT. MODELS (EXCEPT FXCWC), HORN & INSTRUMENTS



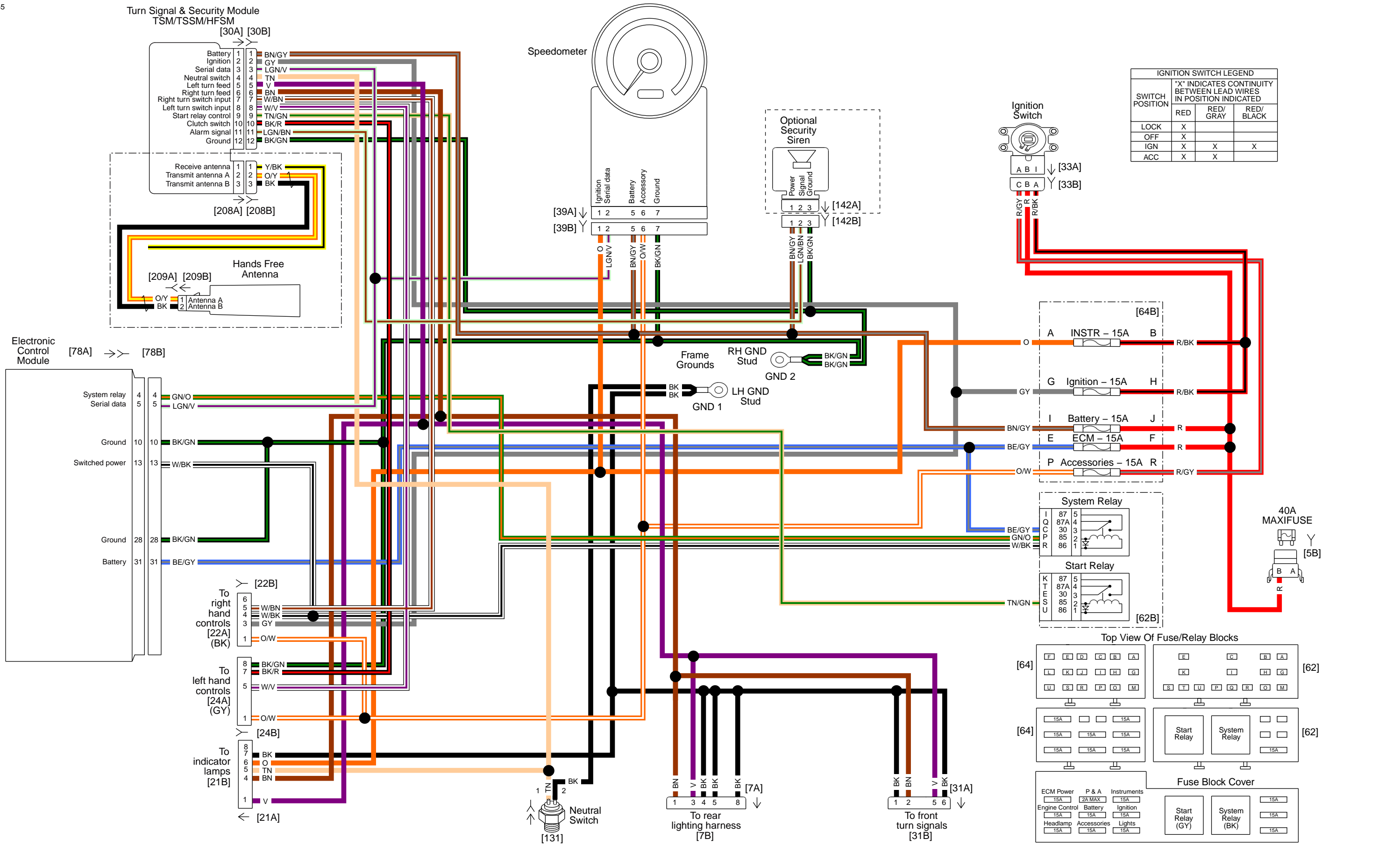
SWITCH POSITION	IGNITION SWITCH LEGEND		
	RED	RED/GRAY	RED/BLACK
LOCK	X		
OFF	X		
IGN	X	X	X
ACC	X	X	



See security circuit for hands free security module [78A] [78B]

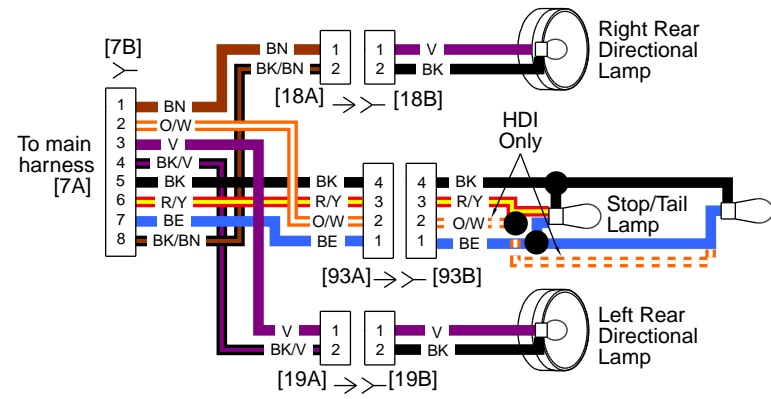


2008 ALL SOFTAIL DOM. and INT. MODELS (EXCEPT FXCWC), STARTING AND CHARGING CIRCUITS

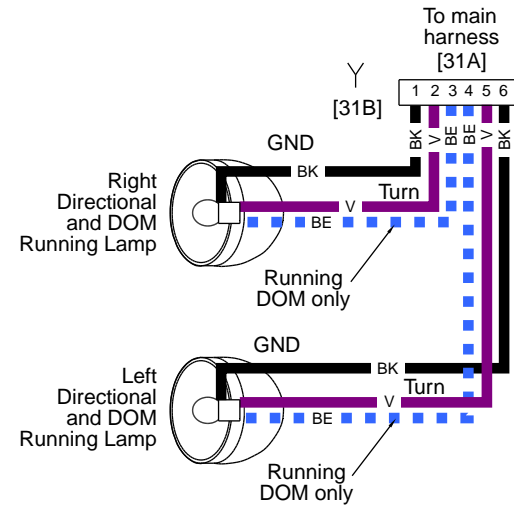


2008 ALL SOFTAIL DOM. and INT. MODELS (EXCEPT FXCWC), SECURITY CIRCUIT: 1 OF 2

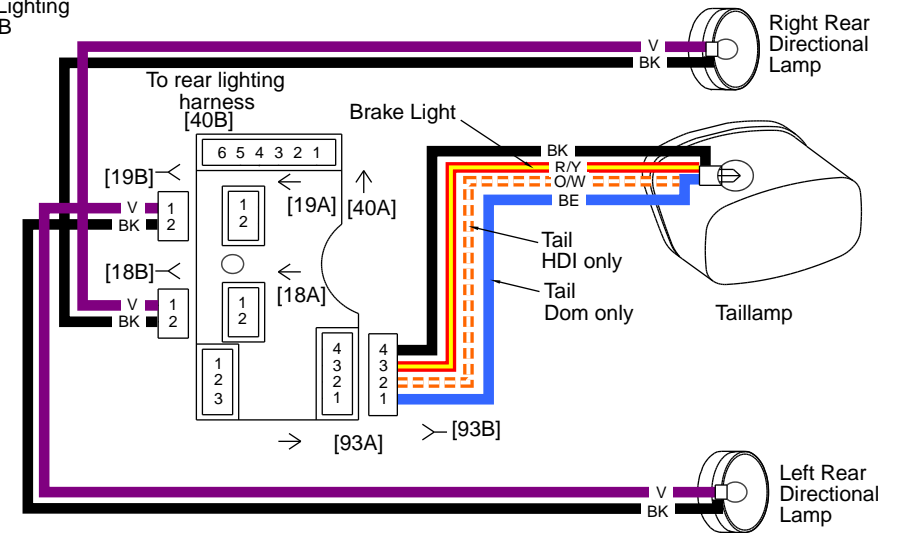
Rear Lighting Harness
68834-05: FLSTN



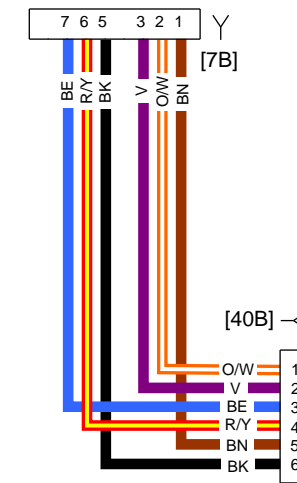
Front Turn Signals



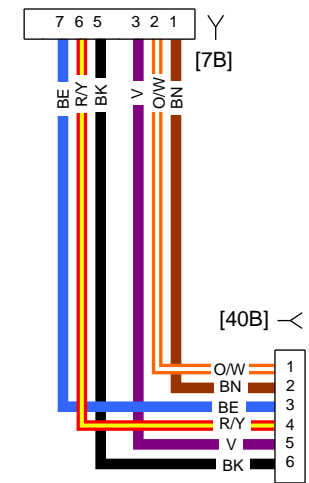
Rear Lighting
FXSTB



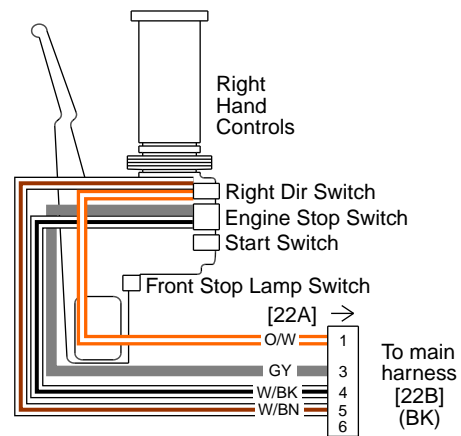
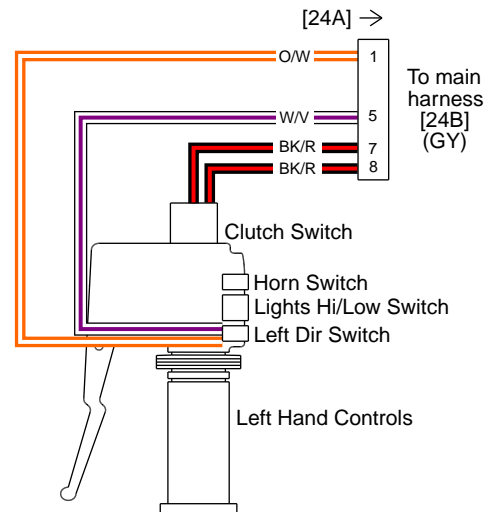
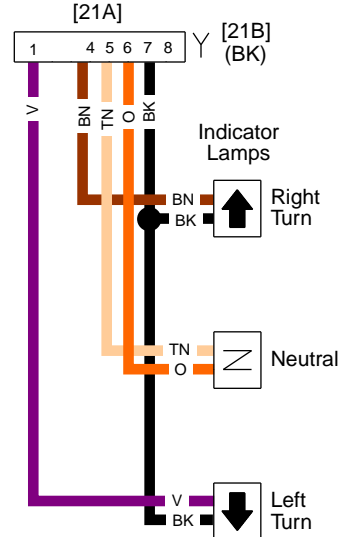
Rear Lighting Harness
68819-06: FXSTB



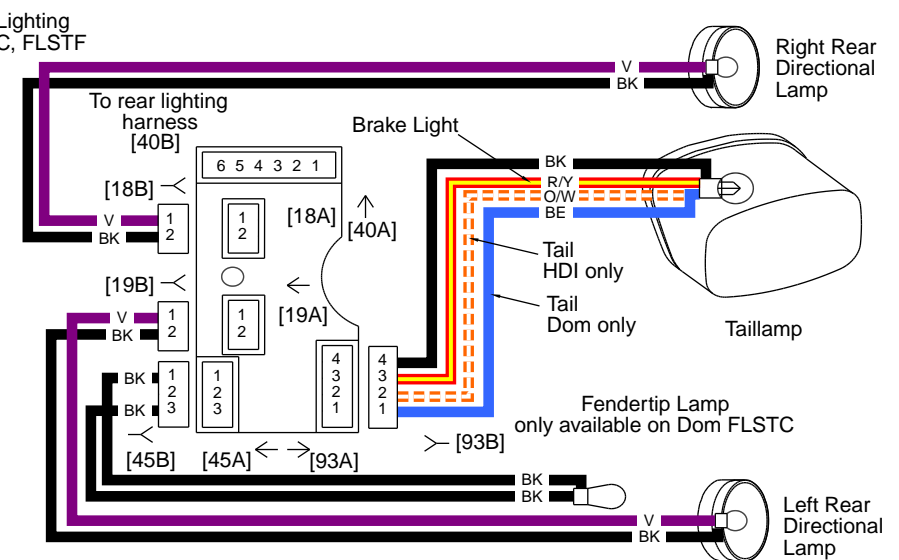
Rear Lighting Harness
68818-03A: FLSTC
69486-06A: FLSTF

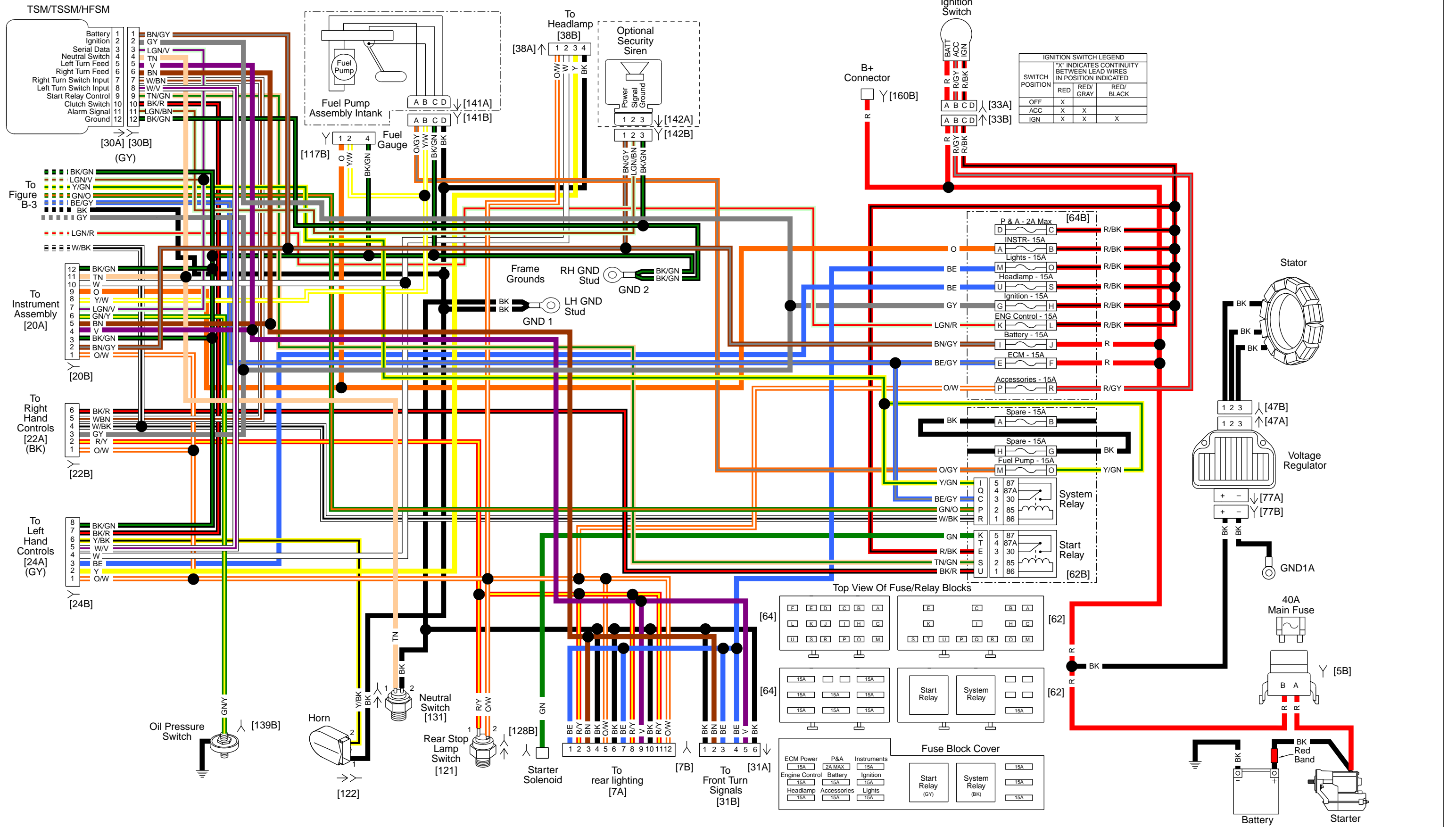


To main harness [21A]

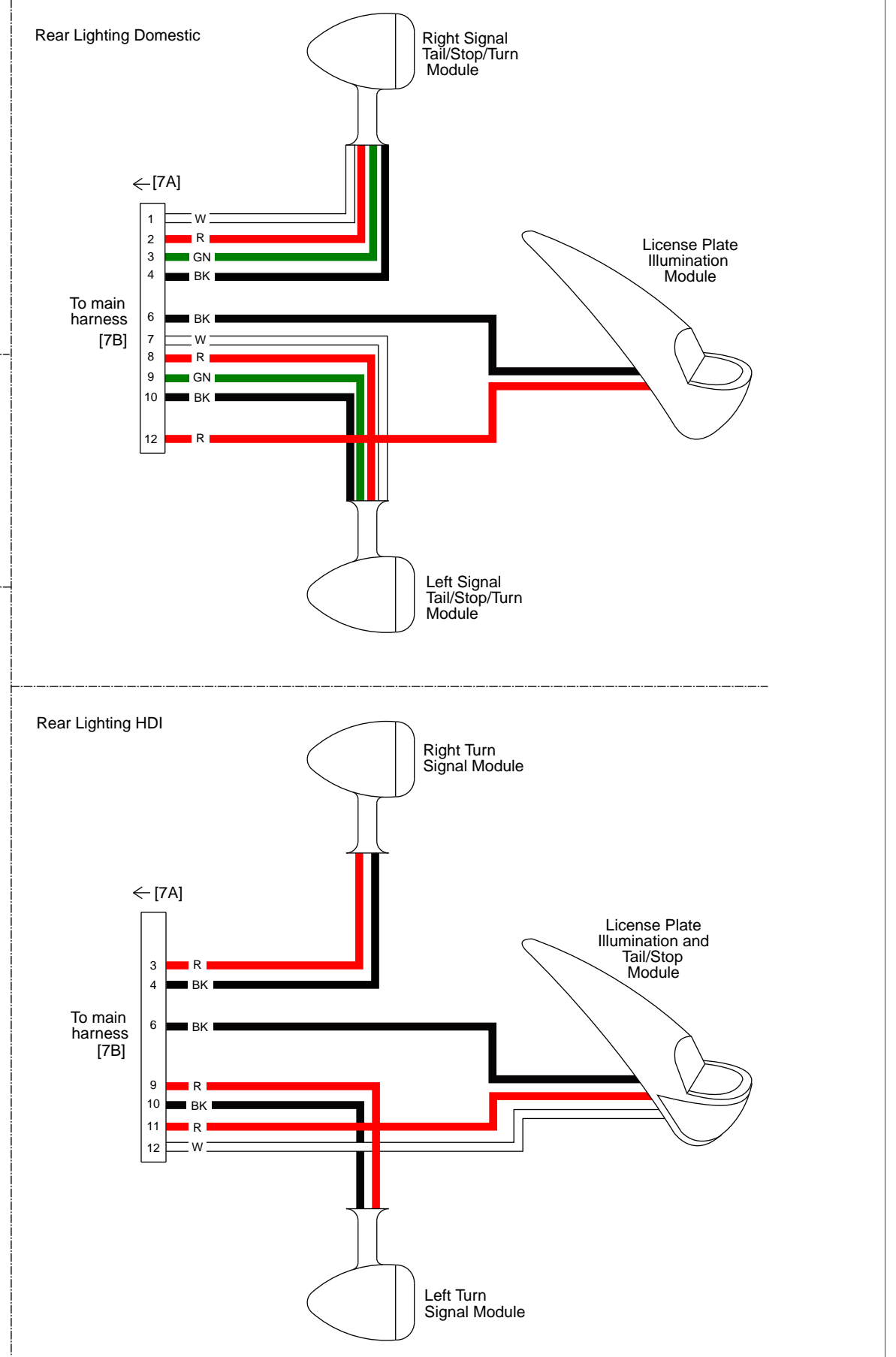
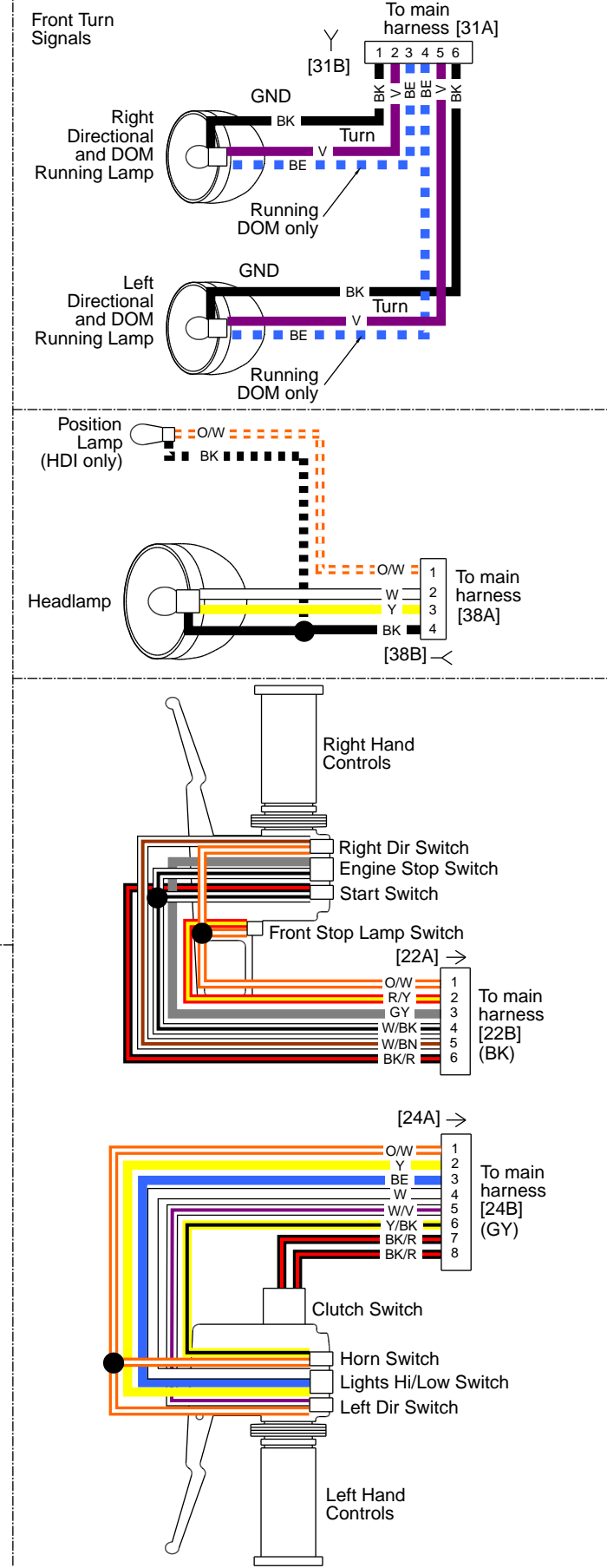
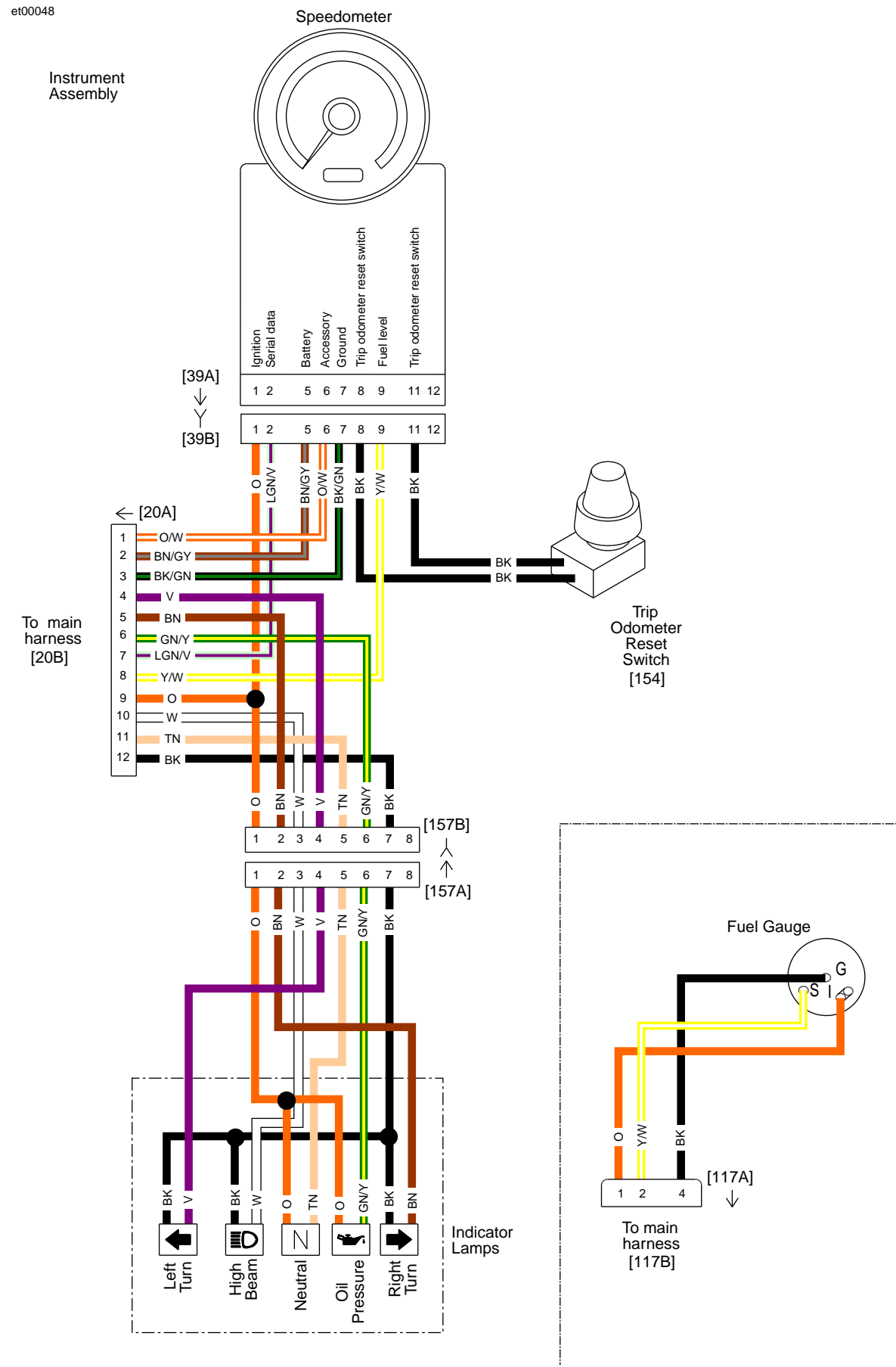


Rear Lighting
FLSTC, FLSTF

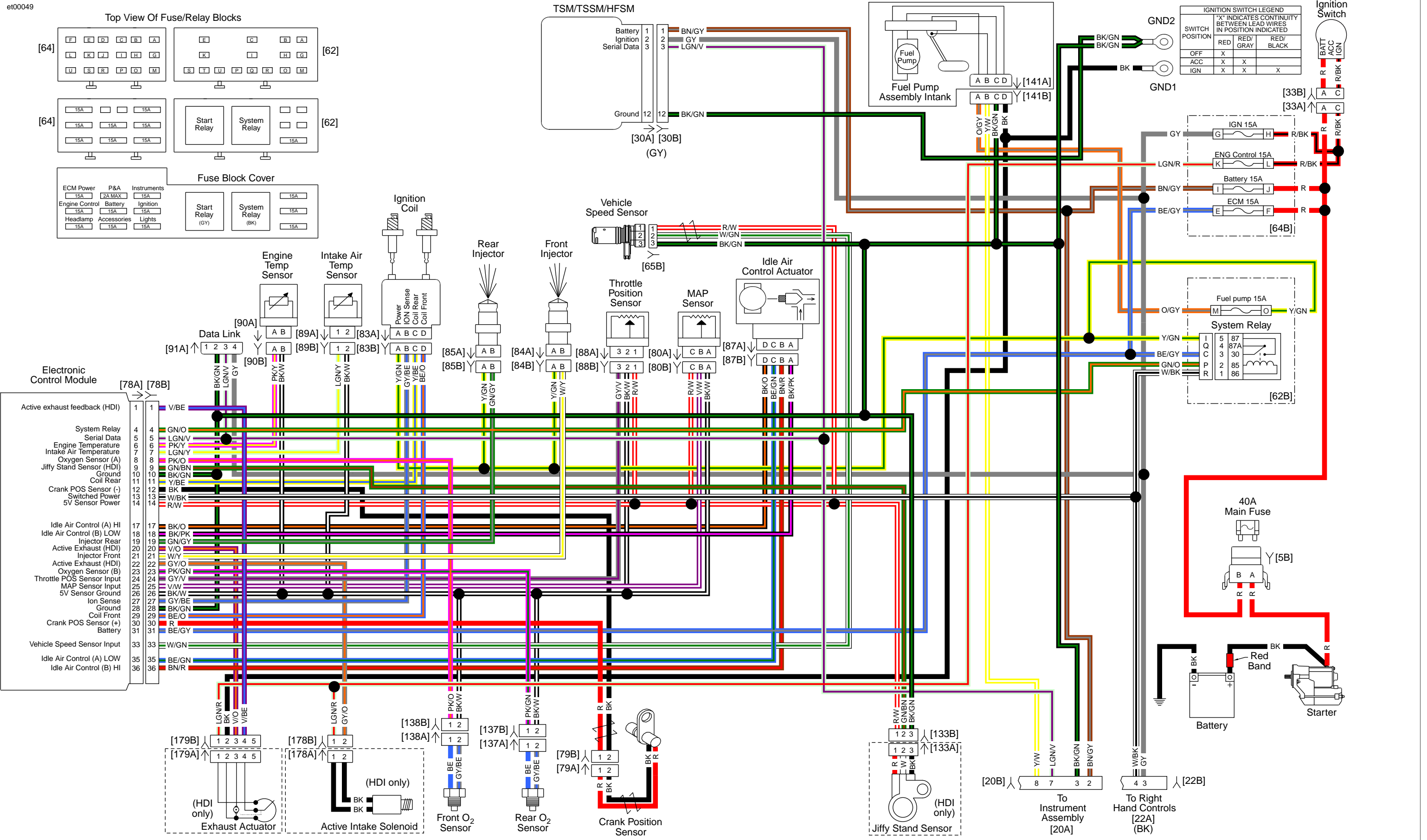




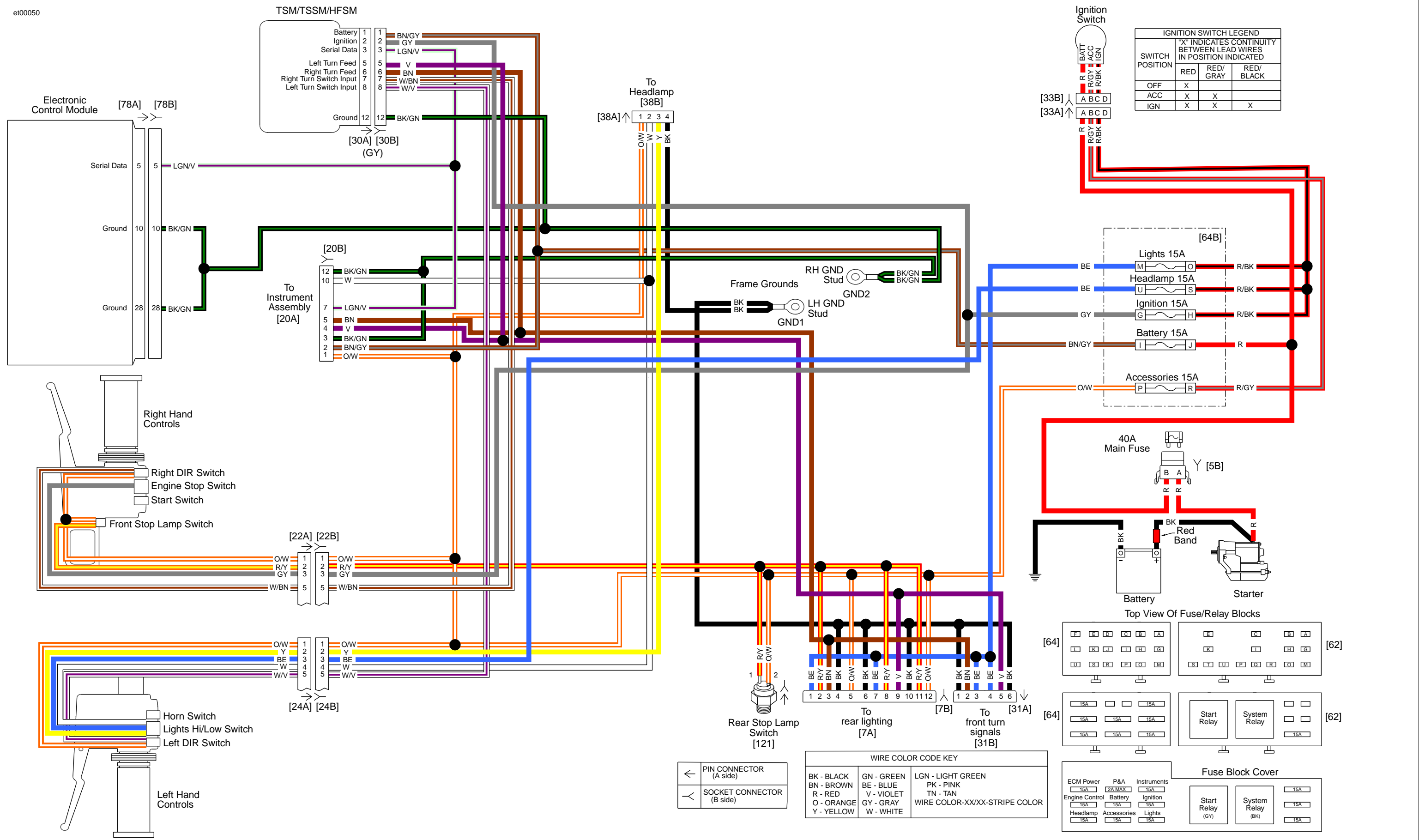
2008 ALL FXCWC SOFTAIL DOM. and INT. MODELS, MAIN HARNESS



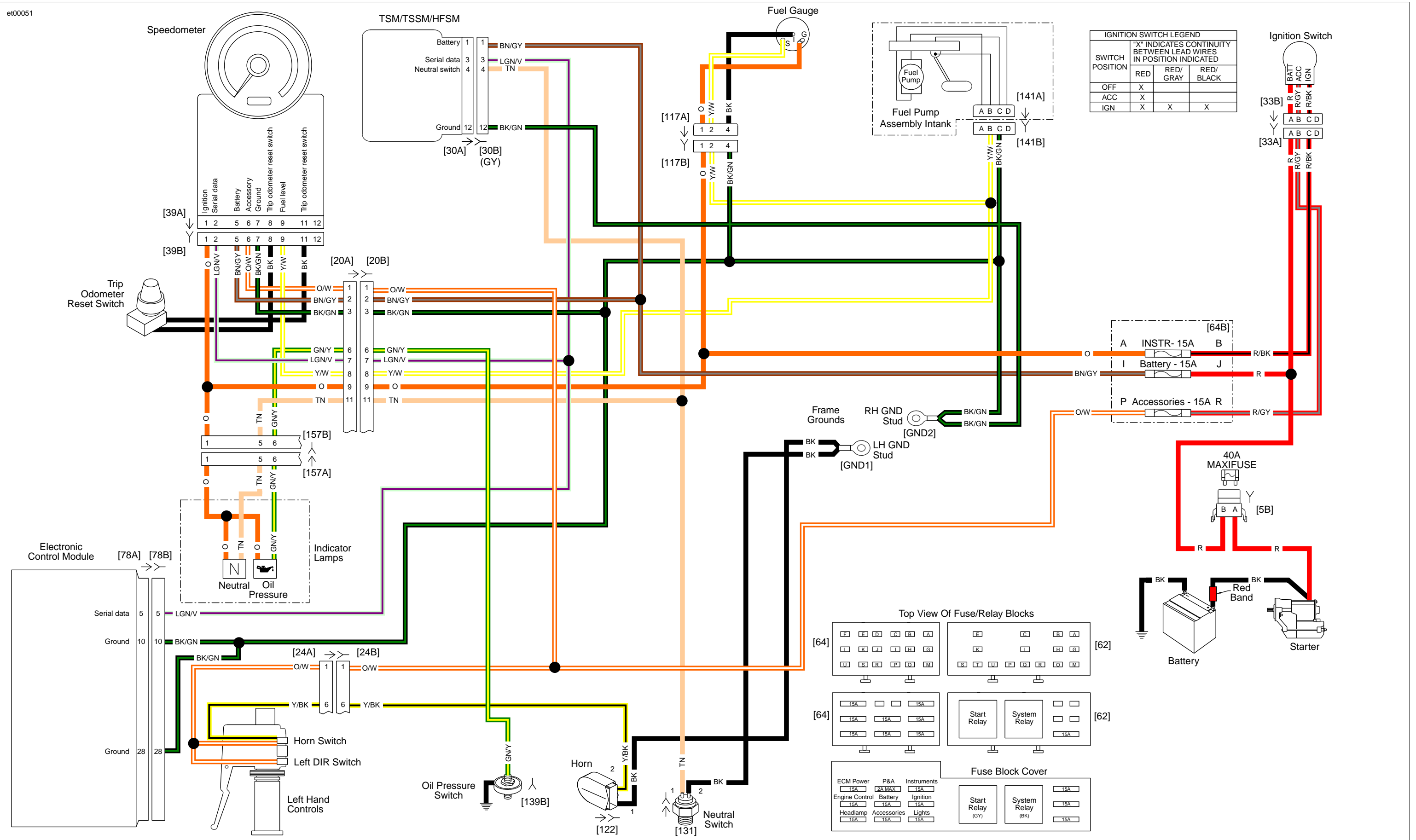
2008 ALL FXCWC SOFTAIL DOM. and INT. MODELS, HANDLEBAR SWITCHES, INDICATORS AND LIGHTING



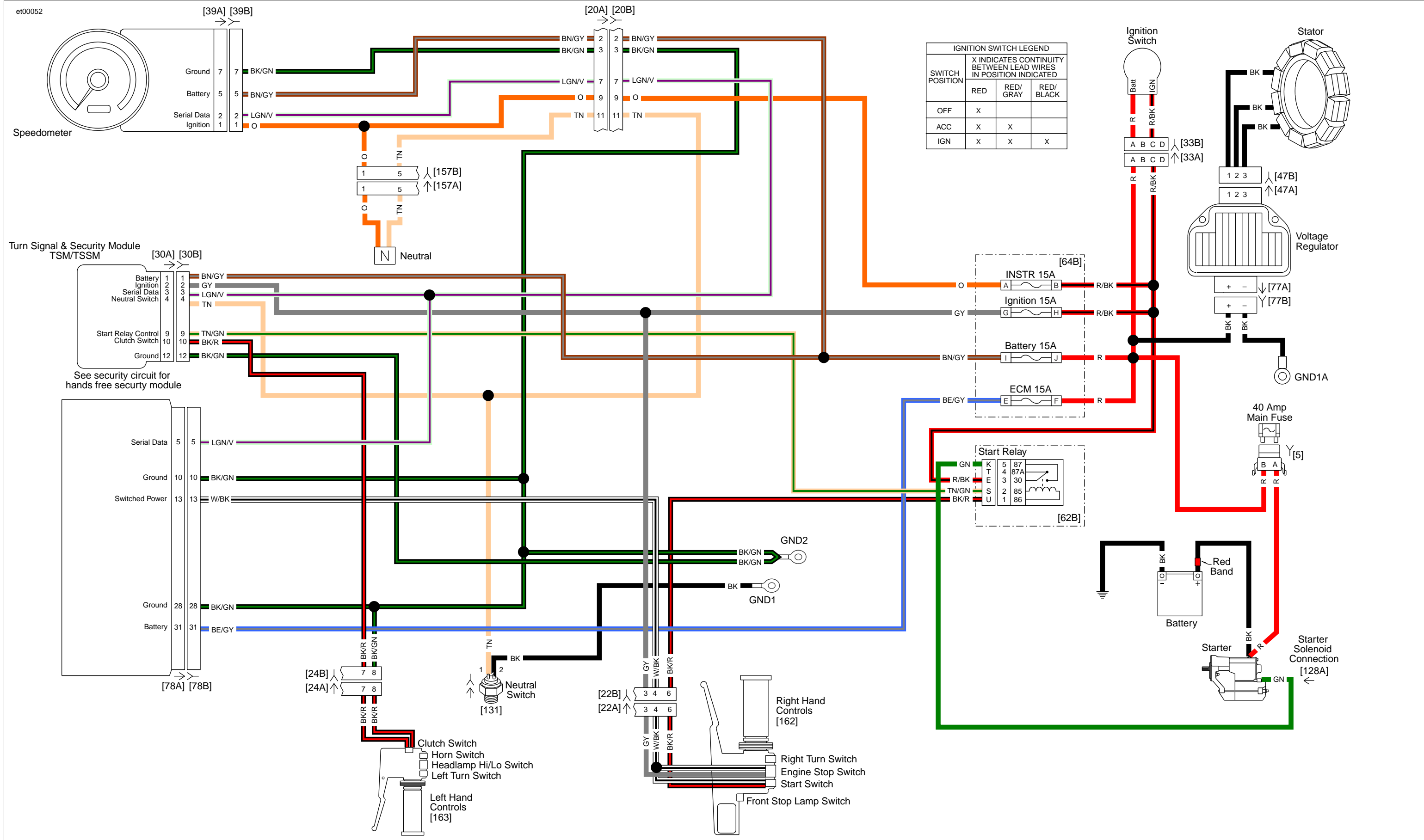
2008 ALL FXCWC SOFTAIL DOM. and INT. MODELS, IGNITION CIRCUIT



2008 ALL FXCWC SOFTAIL DOM. and INT. MODELS, LIGHTING CIRCUIT

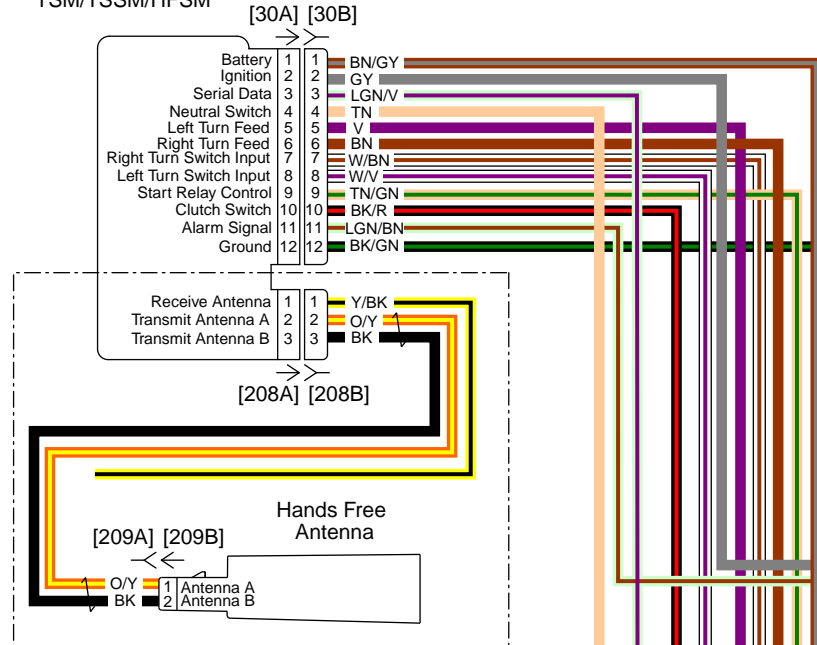


2008 ALL FXCWC SOFTAIL DOM. and INT. MODELS, HORN & INSTRUMENTS

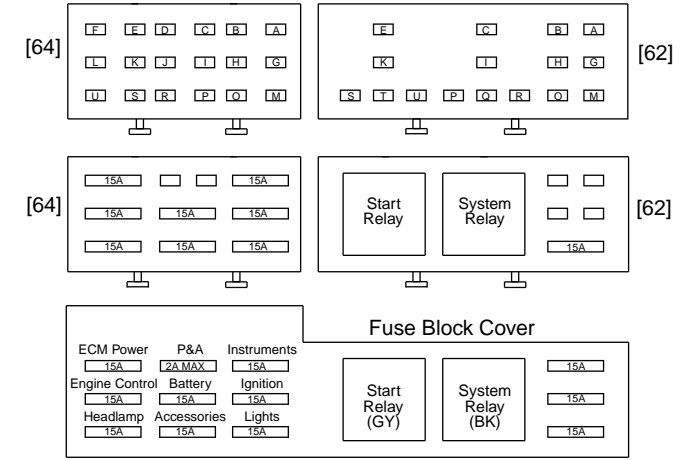


2008 ALL FXCWC SOFTAIL DOM. and INT. MODELS, STARTING AND CHARGING CIRCUITS

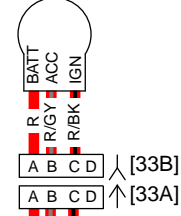
Turn Signal & Security Module
TSM/TSSM/HFSM



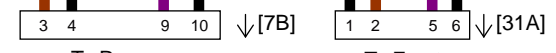
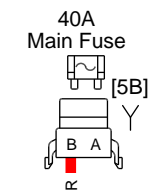
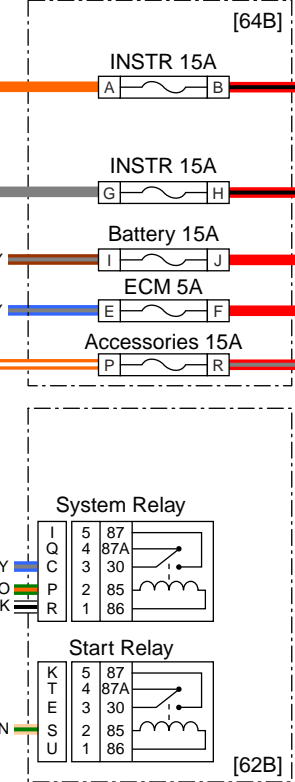
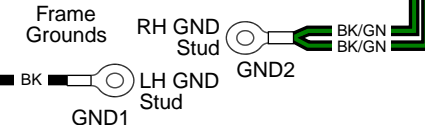
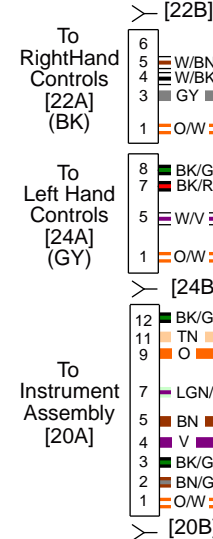
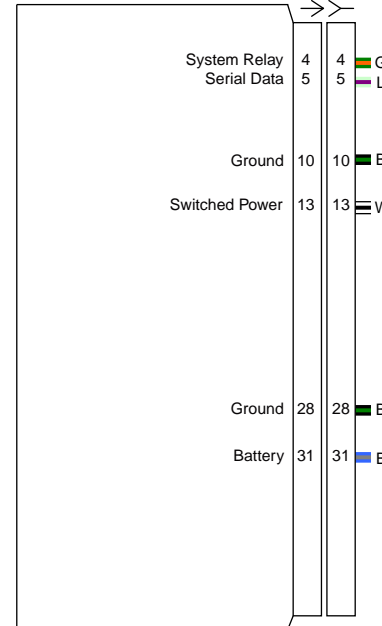
Top View Of Fuse/Relay Blocks



Ignition Switch

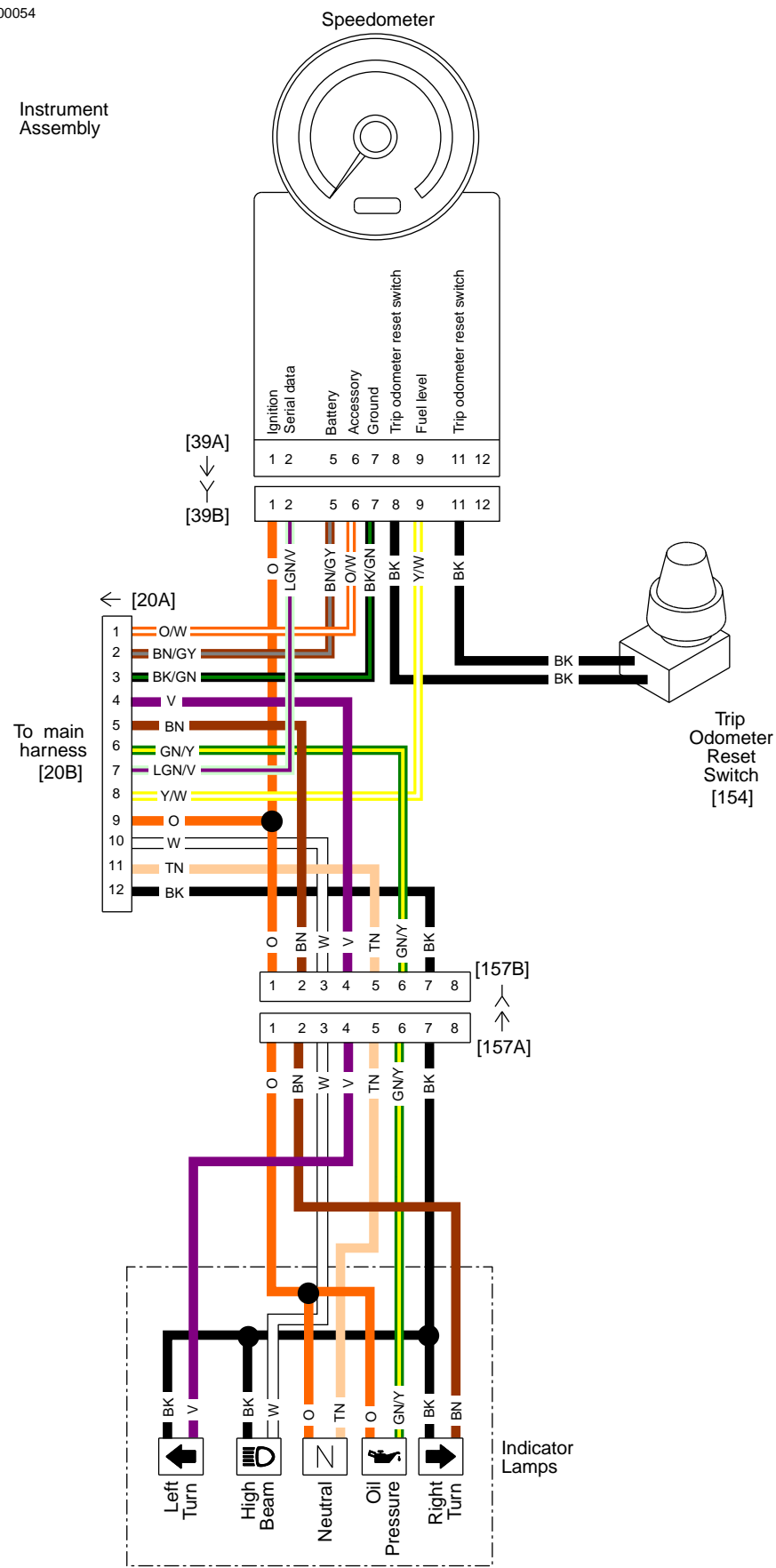


Electronic Control Module [78A] [78B]

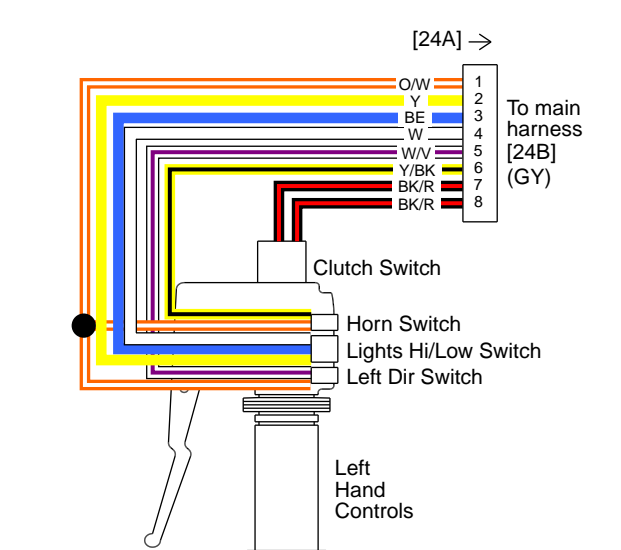
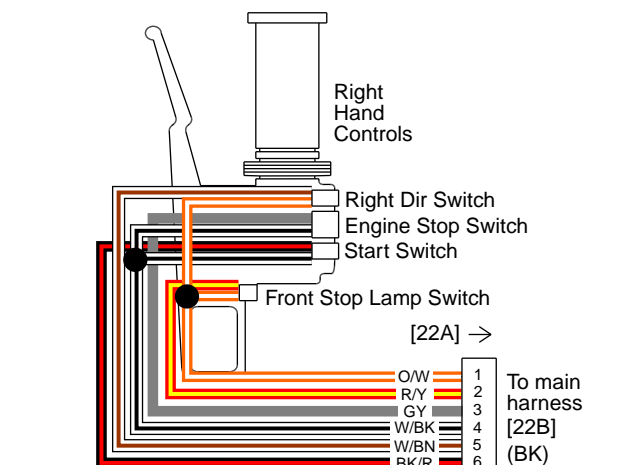
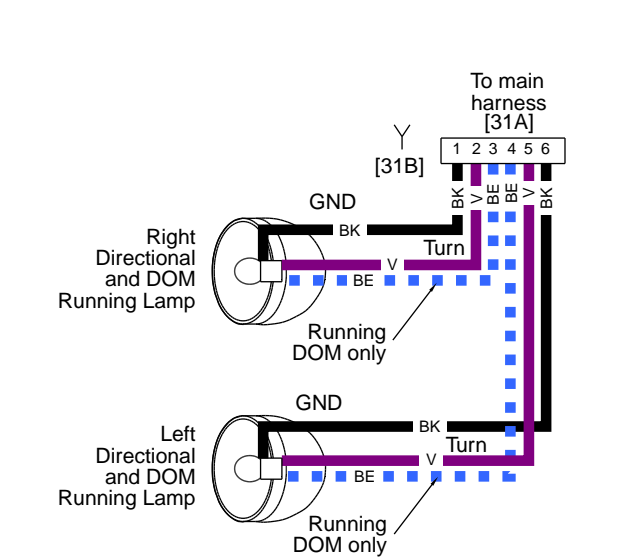


2008 ALL FXCWC SOFTAIL DOM. and INT. MODELS, SECURITY CIRCUIT: 1 OF 2

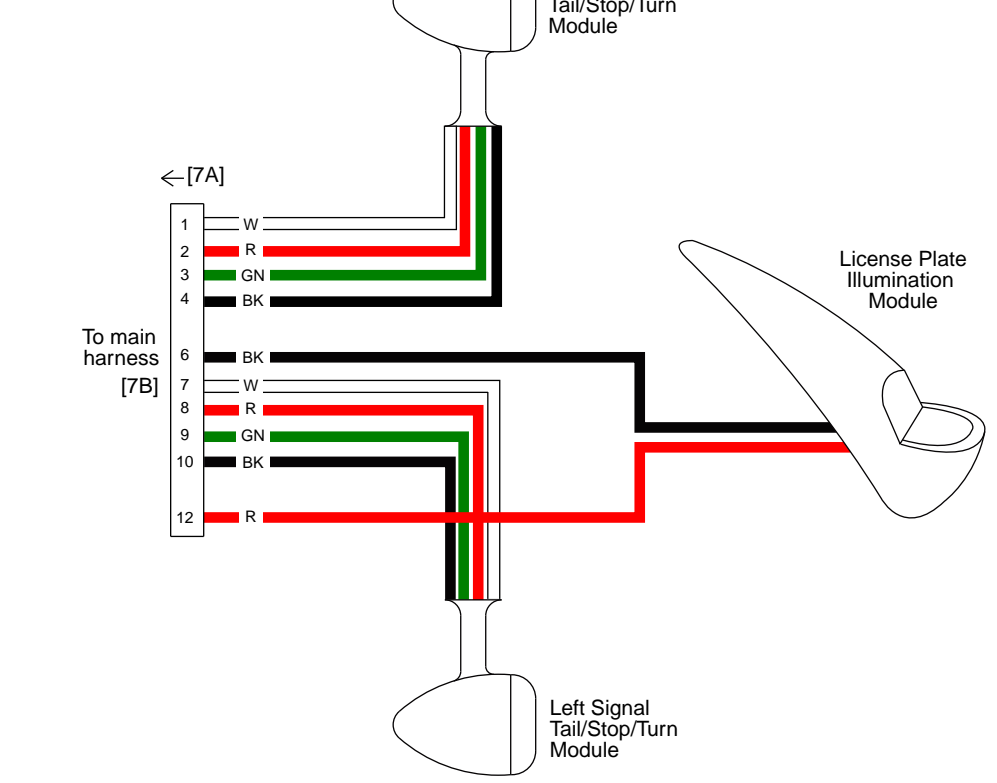
Instrument Assembly



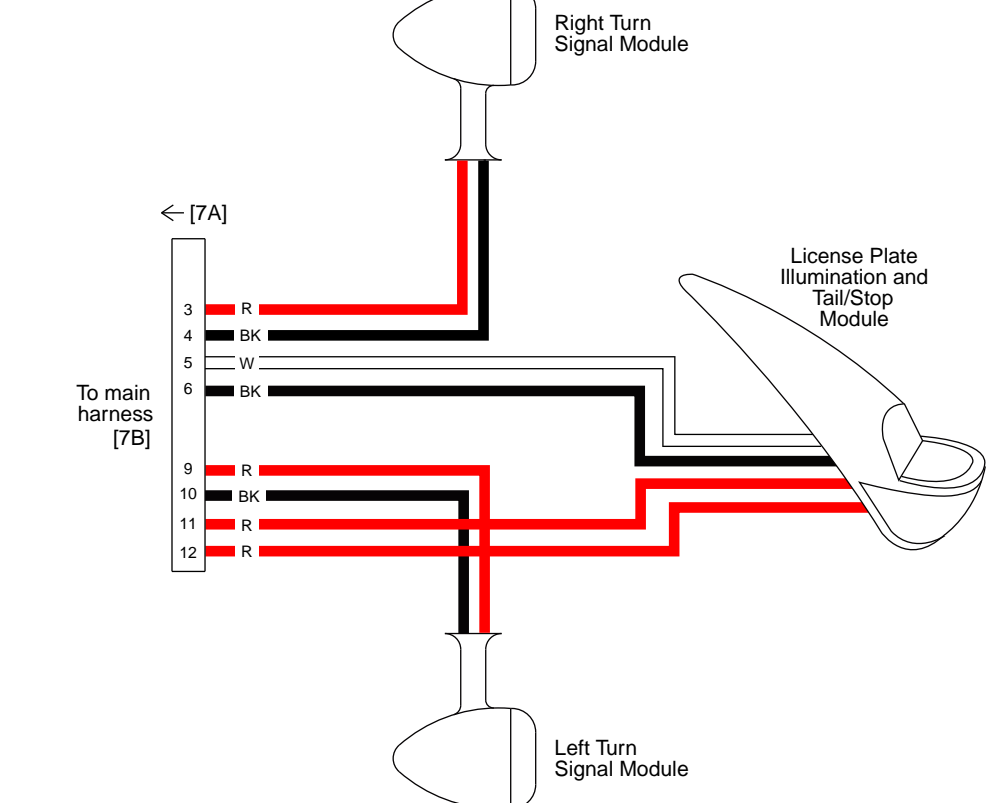
Front Turn Signals



Rear Lighting Domestic



Rear Lighting HDI



2008 ALL FXCWC SOFTAIL DOM. and INT. MODELS, SECURITY CIRCUIT: 2 OF 2

