

Microsoft Windows 10 IoT Enterprise 2019 LTSC and 2016 LTSB System Upgrade Kit for Catalog Numbers 6177R Series C, 6181P Series F, and 6181X Series H

Catalog Number 6189V-WIN10UPG, 6189V-WIN10H2019UPG, and 6189V-WIN10V2019UPG

IMPORTANT This upgrade applies to 6177R Series C, 6181P Series F, and 6181X Series H industrial computer models only.

This publication provides instructions to affix the labels, install Microsoft® Windows® 10 Internet of Things Enterprise (IoT) Long Term Service Channel (LTSC) and Long Term Service Branch (LTSB) operating systems (OS), and restore an OS image.

Summary of Changes

This publication contains the following new or updated information. This list includes substantive updates only and is not intended to reflect all changes.

Topic	Page
Corrected the catalog numbers for this system upgrade kit and the industrial computer catalog numbers and series for which this system upgrade kit applies	1
Updated the download procedure for the Rockwell Automation Product Compatibility and Download Center (PCDC) site image in Download and Install Windows 10 IoT Enterprise LTSC or LTSB OS	4
Updated available images accessible through the Rockwell Automation PCDC site in step 9 of Download and Install Windows 10 IoT Enterprise LTSC or LTSB OS	4

Parts List

Your Microsoft Windows 10 IoT Enterprise 2019 LTSC and 2016 LTSB system upgrade kit includes the following parts:

- 'Windows 10 IoT Upgrade Applied' Rockwell Automation label (quantity of 1)
- 'Windows 10 IoT Enterprise COA' Microsoft label (quantity of 1)



Each label is shipped in its own envelope. The 'Windows 10 IoT Enterprise COA' label is in the envelope labeled "Microsoft".



ATTENTION: If you upgrade the OS of your industrial computer to the Windows 10 IoT Enterprise LTSB OS, then you must affix both labels as specified in section to complete the upgrade. Failure to do so is a violation of the Microsoft End User License Agreement (EULA).

Affix the 'Windows 10 Upgrade Applied' Label



Although a Catalog Number 6171R industrial computer is shown in steps 1 and 2, these steps also apply to Catalog Number 6181P Series F and Catalog Number 6181X Series H industrial computers.

1. Locate the barcode label on the chassis of your industrial computer.



For Cat. No. 6171R Series C, 750R and 1450R: The label is located on the back of the chassis.
For Cat. No. 6181P Series F: The label is located on the side of the chassis.
For Cat. No. 6181X Series H: The label is located on the side of the chassis.



Barcode Label

2. Affix the 'Windows 10 Upgrade Applied' label over the barcode label.



Affix over the barcode label.

The 'Windows 10 Upgrade Applied' label is now properly affixed.

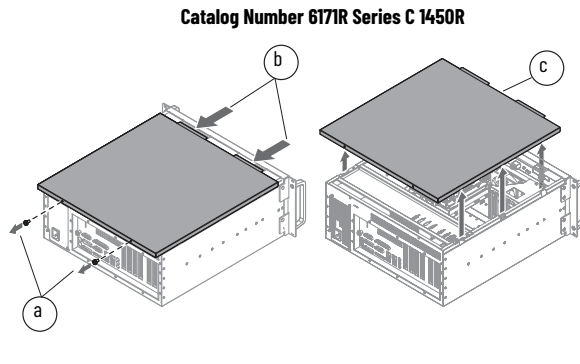
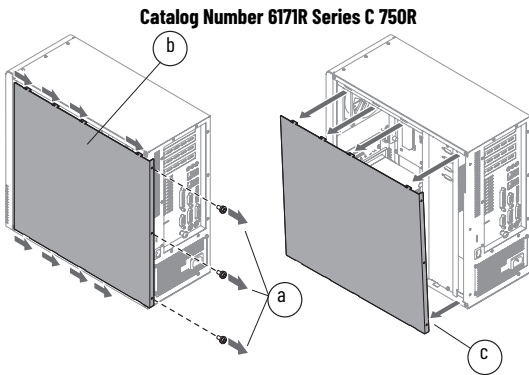


Affix the 'Windows 10 IoT Enterprise COA' Label

Follow these steps to affix the 'Windows 10 IoT Enterprise COA' label.

For Catalog Number 6171R Series C, 750R and 1450R

1. Prepare your industrial computer for maintenance.
 - a. Shut down your industrial computer from the OS.
 - b. Disconnect all peripheral cables from your industrial computer.
 - c. Disconnect all cables from power outlets to avoid exposure to high energy levels.
 - d. Disconnect telecommunication cables to avoid exposure to a shock hazard from ring voltages.
2. Remove the cover from your industrial computer.
 - a. Remove the screws from the chassis.
 - b. Slide the cover 1.50 cm (0.50 in.) off of the chassis to release the hinge tabs.
 - c. Lift the cover off of the chassis.



3. Locate the existing COA label either on your industrial computer.

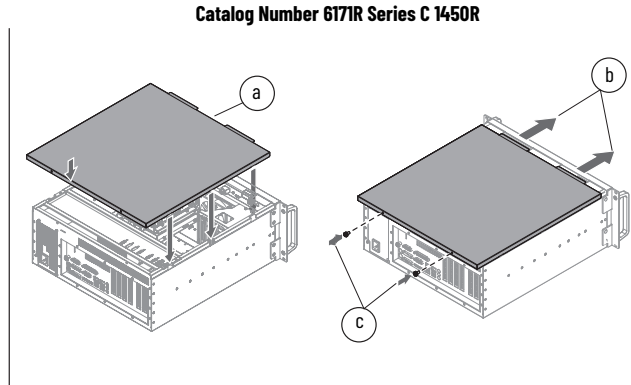
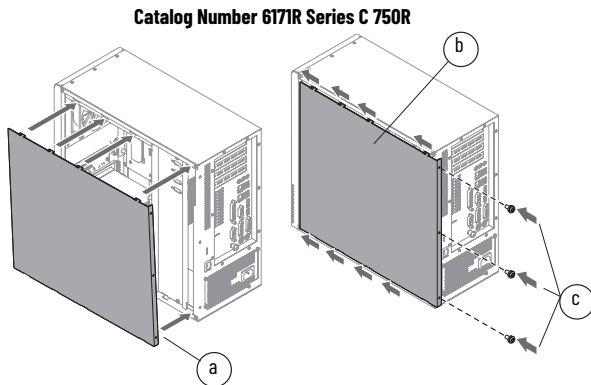


For Cat. No. 6171R Series C, 750R: The COA label is located underneath the top cover.
 For Cat. No. 6171R Series C, 1450R: The COA label is located on the side cover.

4. Affix the new COA label near (but not over) the existing COA label as shown.



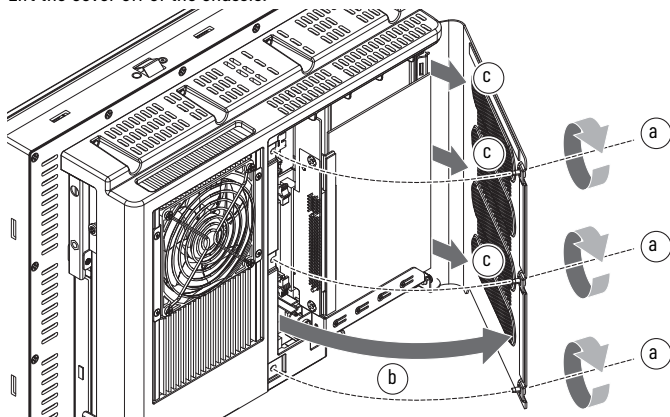
5. Reinstall the cover of your industrial computer.
 - a. Position the cover so its hinge tabs align and engage the lock slots on the chassis then tilt the cover slightly to make sure that all hinge tabs are engaged and locked properly.
 - b. Slide the cover forward to lock the hinge tabs into place.
 - c. Reinsert the screws through the chassis, then torque the screws to 0.6 N•m (5.2 lb•in).



6. Reattach all peripheral cables, telecommunication cables, and the power cable.
7. Press the power switch located on the rear panel of your industrial computer to restart it.

For Catalog Number 6181P Series F and 6181X Series H

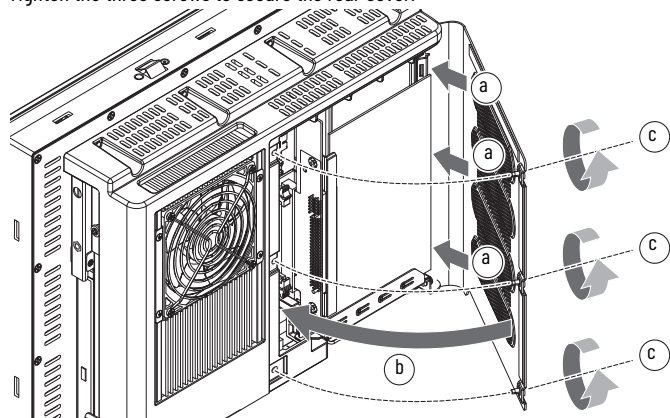
1. Prepare your industrial computer for maintenance.
 - a. Shut down your industrial computer from the OS.
 - b. Disconnect all peripheral cables from your industrial computer.
 - c. Disconnect all cables from power outlets to avoid exposure to high energy levels.
 - d. Disconnect telecommunication cables to avoid exposure to a shock hazard from ring voltages.
2. Remove the cover from your industrial computer.
 - a. Remove the screws from the chassis.
 - b. Slide the cover 1.50 cm (0.50 in.) off of the chassis to release the hinge tabs.
 - c. Lift the cover off of the chassis.



3. If an add-in card is installed: Remove the add-in card to access the COA label on the back panel of the chassis. For electrostatic discharge (ESD) precautions and instructions to carefully remove and handle the add-in card, see the user manual for your industrial computer model listed in [Additional Resources on page 7](#).
4. Locate the existing COA label on the back panel of the chassis of your industrial computer.
5. Affix the new COA label near (but not over) the existing COA label as shown.



6. If an add-in card was removed in step 3: Reinstall the add-in card according to the user manual for your industrial computer model listed in [Additional Resources on page 7](#).
7. Reinstall the cover of your industrial computer.
 - a. Reattach the rear cover to the chassis.
 - b. Close the cover.
 - c. Tighten the three screws to secure the rear cover.



8. Reattach all peripheral cables, telecommunication cables, and the power cable.
9. Press the power switch on the underside of your industrial computer to restart it.

Download and Install Windows 10 IoT Enterprise LTSC or LTSB OS

Perform the steps in this section to install Windows 10 IoT Enterprise 2019 LTSC or 2016 LTSB OS.

1. For non-display models: Attach an external display.
2. Attach a keyboard and mouse.
3. Format a USB drive to File Allocation Table 32 (FAT32).

IMPORTANT The USB drive must be:


- formatted as FAT32 and
- must not contain any other files.

All other downloaded files that are stored on the USB drive will not be recognized.

4. Insert the USB FAT32 formatted drive into the USB port of your industrial computer.
5. Access the Rockwell Automation PCDC site, rok.auto/pcdc.

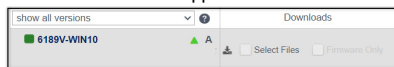


You must (a) be registered with the Rockwell Automation PCDC website to download files and (b) accept the 'End User License Agreement' before files can be downloaded.

6. Click the  button to search for downloads in the PCDC site.
7. Type "6189V-WIN10" in the 'Search' field.
8. Press the 'Enter' key on your keyboard.
Available '6189V-WIN10' download files appear in the search results.
9. Select the appropriate '6189V-WIN10' image file for your industrial computer by processor type, then by catalog number and series. Available '6189V-WIN10' image files in either AMI® rescue and/or Ghost® format are listed in the table below.

6189V-WIN10V2019UPG (Industrial Computers with Intel i3 or Intel i5 CPUs)
Image - 6177R Ser. C - 1TB - Windows 10 IoT 64-bit - AMI Rescue
Image - 6177R Ser. C - 1TB - Windows 10 IoT 64-bit - Ghost Format
Image - 6177R Ser. C - 500GB - Windows 10 IoT 64-bit - AMI Rescue
Image - 6177R Ser. C - 500GB - Windows 10 IoT 64-bit - Ghost Format
Image - 6181P Ser. F Performance - 256GB - Windows 10 IoT 64-bit - AMI Rescue
Image - 6181X Ser. H (PCAP) - 128GB - Windows 10 IoT 64-bit - AMI Rescue
Image - 6181X Ser. H (Resistive) - 128GB - Windows 10 IoT 64-bit - AMI Rescue
6189V-WIN10H2019UPG (Industrial Computers with Intel i7 CPU; also for use with Intel i3 and i5)
Image - 6181P Ser. F Advanced - 256GB - Windows 10 IoT 64-bit - AMI Rescue
Image - 6181P Ser. F Advanced - 256GB - Windows 10 IoT 64-bit - Ghost Format
6189V-WIN10UPG (Windows 10 IoT Enterprise 2016 LTSB Upgrade)
Image - 6177R Ser. C - 500GB - Windows 10 IoT 64-bit - AMI Rescue
Image - 6177R Ser. C - 500GB - Windows 10 IoT 64-bit - Ghost Format
Image - 6181P Ser. F Advanced - 100GB - Windows 10 IoT 64-bit - AMI Rescue
Image - 6181P Ser. F Advanced - 100GB - Windows 10 IoT 64-bit - Ghost Format
Image - 6181P Ser. F Advanced - 256GB - Windows 10 IoT 64-bit - AMI Rescue
Image - 6181P Ser. F Advanced - 256GB - Windows 10 IoT 64-bit - Ghost Format
Image - 6181P Ser. F Advanced - 32GB - Windows 10 IoT 64-bit - AMI Rescue
Image - 6181P Ser. F Advanced - 32GB - Windows 10 IoT 64-bit - Ghost Format
Image - 6181P Ser. F Performance - 100GB - Windows 10 IoT 64-bit - AMI Rescue
Image - 6181P Ser. F Performance - 100GB - Windows 10 IoT 64-bit - Ghost Format
Image - 6181P Ser. F Performance - 256GB - Windows 10 IoT 64-bit - AMI Rescue
Image - 6181P Ser. F Performance - 256GB - Windows 10 IoT 64-bit - Ghost Format
Image - 6181P Ser. F Performance - 32GB - Windows 10 IoT 64-bit - AMI Rescue
Image - 6181P Ser. F Performance - 32GB - Windows 10 IoT 64-bit - Ghost Format
Image - 6181X Ser. H - 128GB - Windows 10 IoT 64-bit - AMI Rescue

10. Click the [Downloads](#) link from the file that you want to download.
The details of the file appear.



11. Check the box aside 'Select Files'.

The 'Available Downloads' pop-up window appears.



12. Click the checkbox to the left of the file name.
13. Click the 'Downloads' cart button at the top right of the window.
The 'Download Cart' window appears.
14. Click the 'Download Now' button.
15. Click the 'Accept and Download' button from the 'Software End User License Agreement' pop-up window.
The 'Download Information' pop-up window appears and the files automatically download to the default download location on your OS.




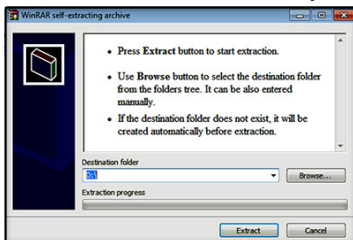
If the files do not automatically download, click the 'Direct Download' button from the 'Download Information' pop-up window, then manually download the files to the root of your USB FAT32 drive.

16. Download the files to the root of your USB FAT32 drive.

IMPORTANT If the system image files are not saved to the root of the USB drive, the system image files will not be recognized by AMI Rescue.

17. Expand the directory of the USB FAT 32 storage drive after all files have downloaded.

18. Double-click the  button in the USB drive directory.
The extraction launches and the dialog box appears.



19. Verify that the USB storage drive is selected in the 'Destination folder' field. If the USB storage drive is not selected, click 'Browse' to locate it.
20. Click the 'Extract' button.
The extraction completes.
21. Complete the steps that are listed in the *Restart the Computer* section of the user manual (see) for your particular industrial computer catalog number.
The power-on self-test (POST) initiates.
22. Press the 'F2' key to access the UEFI/BIOS setup utility.
23. Use the arrow keys on your keyboard to navigate between the UEFI/BIOS menus and menu selections.

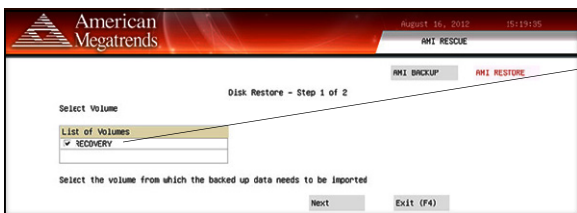
For 6177R Series C (750R and 1450R Models): Restore

1. Click the 'AMI Rescue' menu to access the 'AMI Restore' screen.
2. Click the 'AMI Restore' button.

IMPORTANT When you upgrade to a new OS image, all data on the target drive is replaced. Be sure that all data is backed up before your proceed.

3. Select the appropriate volume name from the list.

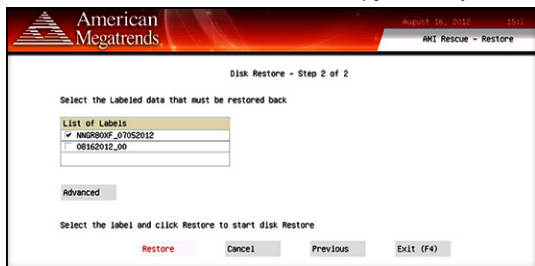
IMPORTANT Industrial computers with Windows Embedded 8.1 Industry Pro OS installed do not contain a factory image backup in the 'Recovery' partition.




'Recovery' is the volume name where the default backup of factory image is stored.

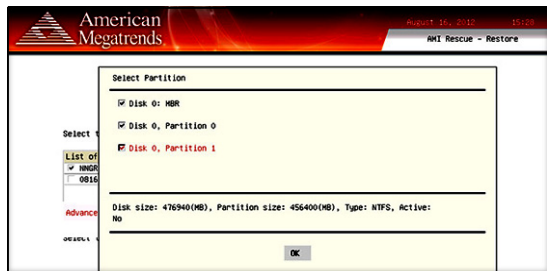
4. Click the 'Next' button.

5. Select the volume label for the Windows 10 upgrade that you want to restore.




6. Click the 'Advanced' button.
7. Select the disk partition that you want to restore.

 All three boxes must be selected for a complete restore of factory OS images.



8. Click the 'OK' button.
9. Click the 'Restore' button to start the restore process.
The restoration process starts.

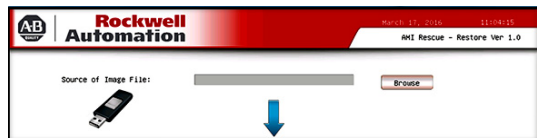
 Three alert messages appear during the restore process. To keep the current partition table, click the 'No' button. For the other alert messages, click the 'Yes' button.

For 6181P Series F and 6181X Series H: Restore

1. Click the 'AMI Rescue' menu to access the 'AMI Restore screen'.
2. Click the 'Restore from an Image' button.

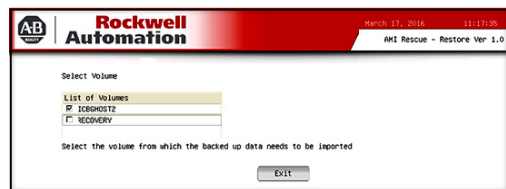
IMPORTANT Be sure that all data is backed up before you proceed.
When your system is upgraded to a new OS image, all data on the target drive is replaced.

3. From the 'Source of Image File' field, click the 'Browse' button to locate the image source.



4. From the 'List of Volumes' menu: Select your USB FAT32 storage drive.

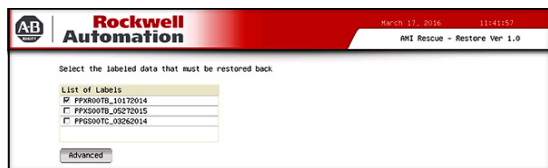
IMPORTANT Do not select 'Recovery'. 'Recovery' is the OS image that you want to restore.



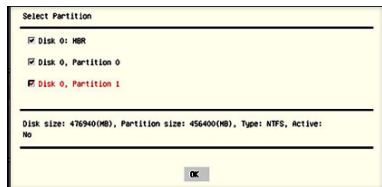
5. Click the 'Exit' button.
6. From the 'Destination of Restore Data' field, click the 'Browse' button to locate the destination source.



- Select the volume label for the Windows 10 upgrade that you want to restore.



- Click the 'Advanced' button.
- From the 'Select Partition' screens, select all boxes for 'Disk 0' to restore the entire OS image.



- Click the 'OK' button.
- Click the 'Exit' button.
- Click 'Restore Now' to start the restoration process.



- 'Warning' messages can appear during the restoration process.
- To keep the current partition table, click the 'No' button.
 - For all other warning messages, click the 'Yes' button.

Additional Resources

These documents contain additional information concerning related products from Rockwell Automation. You can view or download publications at rok.auto/literature.

Resources	Description
Non-display Industrial Computers User Manual, publication 6177R-UM002	Provides detail to install, configure, operate, maintain, and troubleshoot 6177R non-display industrial computers.
Integrated Display Industrial Computers User Manual, publication 6181P-UM004	Provides detail to install, configure, operate, maintain, and troubleshoot 6181P integrated display industrial computers.
Industrial Computers and Thin Clients for Hazardous Locations, Series H User Manual, publication 6181X-UM003	Provides detail to install, configure, operate, maintain, and troubleshoot 6181X Series H industrial computers and thin clients for hazardous locations.
Product Compatibility and Download Center (PCDC) website, rok.auto/pcdc	Provides product-related downloads including firmware, release notes, associated software, drivers, tools and utilities for your industrial computer or thin client.
Rockwell Automation PCDC Quick Reference Guide, publication PCDC-OR001	Provides an overview and instruction to access downloads from the Rockwell Automation PCDC site for your computer model.

Rockwell Automation Support

Use these resources to access support information.

Technical Support Center	Find help with how-to videos, FAQs, chat, user forums, Knowledgebase, and product notification updates.	rok.auto/support
Local Technical Support Phone Numbers	Locate the telephone number for your country.	rok.auto/phonesupport
Technical Documentation Center	Quickly access and download technical specifications, installation instructions, and user manuals.	rok.auto/techdocs
Literature Library	Find installation instructions, manuals, brochures, and technical data publications.	rok.auto/literature
Product Compatibility and Download Center (PCDC)	Download firmware, associated files (such as AOP, EDS, and DTM), and access product release notes.	rok.auto/pcdc

Documentation Feedback

Your comments help us serve your documentation needs better. If you have any suggestions on how to improve our content, complete the form at rok.auto/docfeedback.





Waste Electrical and Electronic Equipment (WEEE)



At the end of life, this equipment should be collected separately from any unsorted municipal waste.

Rockwell Automation maintains current product environmental compliance information on its website at rok.auto/pec.

Rockwell Otomasyon Ticaret A.Ş. Kar Plaza İş Merkezi E Blok Kat:6 34752 İçerenköy, İstanbul, Tel: +90 (216) 5698400 EEE Yönetmeliğine Uygundur

Connect with us.    

rockwellautomation.com — expanding **human possibility**[®]

AMERICAS: Rockwell Automation, 1201 South Second Street, Milwaukee, WI 53204-2496 USA, Tel: (1) 414.382.2000, Fax: (1) 414.382.4444

EUROPE/MIDDLE EAST/AFRICA: Rockwell Automation NV, Pegasus Park, De Kleetlaan 12a, 1831 Diegem, Belgium, Tel: (32) 2663 0600, Fax: (32) 2 663 0640

ASIA PACIFIC: Rockwell Automation SEA Pte Ltd, 2 Corporation Road, #04-05, Main Lobby, Corporation Place, Singapore 618494, Tel: (65) 6510 6608, FAX: (65) 6510 6699

UNITED KINGDOM: Rockwell Automation Ltd., Pitfield, Kiln Farm, Milton Keynes, MK11 3DR, United Kingdom, Tel: (44)(1908) 838-800, Fax: (44)(1908) 261-917

Allen-Bradley, expanding human possibility, and Rockwell Automation are trademarks of Rockwell Automation, Inc.

AMI is a trademark of American Megatrends Incorporated.

GHOST is a trademark of Broadcom Incorporated.

Microsoft and Windows are trademarks of Microsoft Corporation.

Trademarks not belonging to Rockwell Automation are property of their respective companies.

Publication IC-IN001C-EN-P - December 2023 | Supersedes Publication IC-IN001B-EN-P - April 2021

Copyright © 2023 Rockwell Automation, Inc. All rights reserved. Printed in the U.S.A.