



Item #1007 103 826
Model #AHR-1003

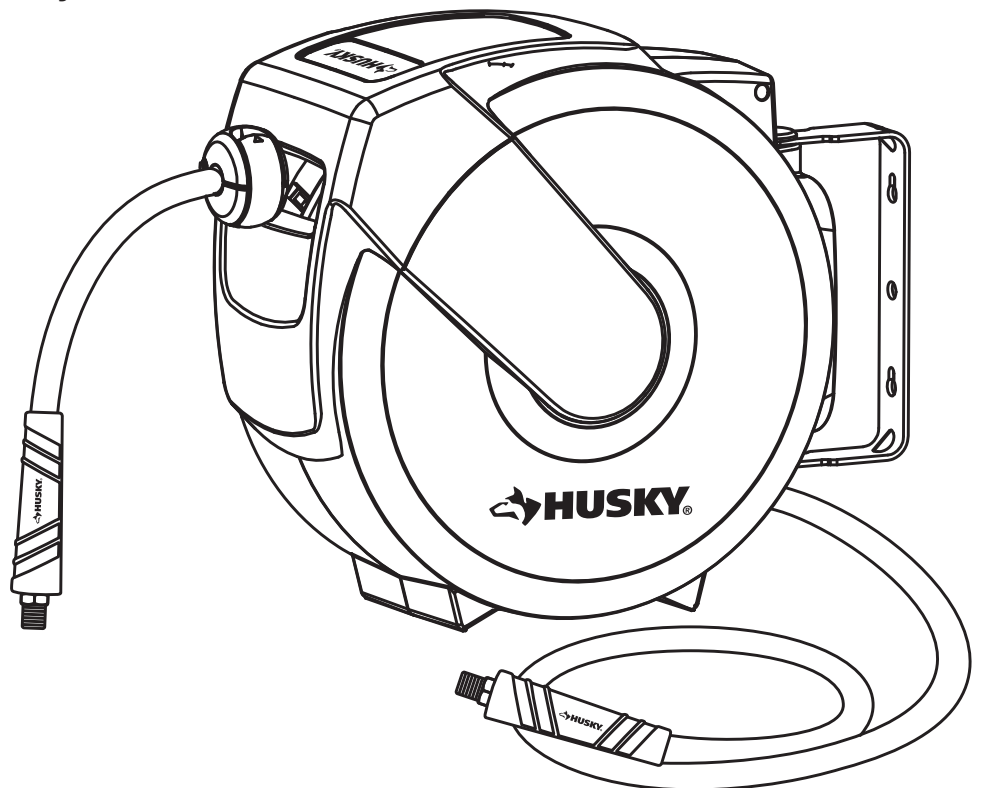
USE AND CARE GUIDE

3/8 IN X 50 FT HYBRID AIR HOSE WITH ENCLOSED HOSE REEL

Questions, problems, missing parts?
Before returning to the store, call
Husky Customer Service
8 a.m. - 7 p.m., EST, Monday - Friday
9 a.m. - 6 p.m., EST, Saturday

1-888-HD-HUSKY

HUSKYTOOLS.COM



THANK YOU

We appreciate the trust and confidence you have placed in Husky through the purchase of this hose reel. We strive to continually create quality products designed to enhance your home. Visit us online to see our full line of products available for your home improvement needs. Thank you for choosing Husky!

Table of Contents

Table of Contents	2	Pre-Installation	4
Safety Information	2	Specifications	4
Work Area Safety	2	Package Contents	4
Personal Safety	2	Installation	5
Air Compressor and Air Hose Reel Safety	3	Operation	6
Warranty	3	Maintenance	7
Husky Air Hose Reels Limited Three Year Warranty	3	Troubleshooting	7
Additional limitations	3	Service Parts	8

Safety Information

WORK AREA SAFETY

- Keep work area clean. Never operate the product near flammable substances like gasoline, naphtha, cleaning solvents, etc. Work in a clean, well-ventilated area free of combustible materials. Cluttered areas invite injuries.
- Never use oxygen, carbon dioxide, combustible gases or any other bottled gases as an air source for the tool. Such gases are capable of explosion and serious injury to persons.
- Observe work area conditions. Do not expose to rain. Keep work area well lighted.
- Disconnect the tool from the air source before making any adjustments, changing accessories, or storing the tool. Such preventative safety measures reduce the risk of starting the tool unintentionally.
- Store idle equipment. When not in use, the product must be stored in a dry location to inhibit rust. Always lock up tools and keep out of reach of children.

PERSONAL SAFETY

- Keep children away. Children must never be allowed in the work area. Do not let them handle machines, tools, extension cords, or air hoses.
- Dress properly. Do not wear loose clothing or jewellery as they can be caught in moving parts. Protective, electrically non-conductive clothes and non-skid footwear are recommended when working. Wear restrictive hair covering to contain long hair.
- Do not overreach. Keep proper footing and balance at all times; this enables better control of the tool in unexpected situations.
- Protect your eyes by wearing safety glasses or a face shield when using this product.



WARNING: Read all safety warnings and instructions before using this tool. Failure to follow the warnings and instructions may result in personal injury and property damage. Save all warnings and instructions for future reference.



WARNING: Always disconnect the hose reel from air source after operation.

Always disconnect air tool attached to the hose reel from air supply before making any adjustments and changing accessories.

Follow all safety precautions whenever diagnosing or servicing the hose reel. Disconnect air supply before service.

The warnings, precautions, and instructions discussed in this instruction manual cannot cover all possible conditions and situations that may occur. It must be understood by the operator that common sense and caution are factors which cannot be built into this product, but must be supplied by the operator.



CAUTION: This product contains chemicals known to the state of California to cause cancer and birth defects or other reproductive harm. Wash hands after handling.



CAUTION: Keep hose away from sharp edges. Check hose for wear before each use.

Safety Information (continued)

AIR COMPRESSOR AND AIR HOSE REEL SAFETY

- Maintain the product with care. Inspect hose periodically and, if damaged, have it repaired by an authorized technician.
- Install an in-line shutoff valve to allow immediate control over the air supply in an emergency, even if a hose is ruptured.
- Use the right tool for the job. Do not attempt to force a small tool or attachment to do the work of a larger industrial tool. There are certain applications for which this product was designed. Do not modify this product and do not use this product for a purpose for which it was not intended.
- Stay alert. Watch what you are doing. Use common sense. Do not operate any tool when you are tired.
- Check for damaged parts. Before using any tool, any part that appears damaged should be carefully checked to determine that it will operate properly and perform its intended function. Check for alignment and binding of moving parts, any broken parts, and any other condition that may affect proper operation. Any part that is damaged should be properly repaired or replaced by a qualified technician.
- Replacement parts and accessories. When servicing, only use identical replacement parts. Use of any other parts will void the warranty. Only use accessories intended for use with this product.



WARNING: Do not exceed maximum pressure of 300 psi. Over pressurizing the tool may cause bursting, abnormal operation, breakage of the tool or serious injury to persons. Use compressed air regulated to a maximum pressure at or below the rated pressure of any attachments to this product.



WARNING: Do not operate tool under the influence of alcohol or drugs. Read warning labels on prescriptions to determine if your judgment or reflexes are impaired while taking drugs. If there is any doubt, do not operate the tool.



WARNING: Use proper size and type of air connection hose. If an air connection hose is required, it must be of the proper size and type to supply the correct current to the tool without heating up. Check your compressor manual for extension cord information.



WARNING: Make sure that the product is securely seated on flat ground before pressurizing.



WARNING: Do not release hose. Rapidly retracting hose could cause injury and property damage. Maintain control of hose as it retracts.



WARNING: Do not move and/or carry the product by air hose. Use the carry handle for movement.

Warranty

HUSKY AIR HOSE REELS LIMITED THREE YEAR WARRANTY

If within three years from the date of purchase, this Husky air hose reel product fails due to a defect in materials or workmanship, please immediately contact the Customer Service Team at 1-888-HD-HUSKY 8 a.m. - 7 p.m., EST, Monday-Friday, 9 a.m. - 6 p.m., EST, Saturday, except normal holidays. Do not return the air hose reel to the store. Please be prepared to send the product, postage prepaid, to the address provided by the Customer Service Team. The package must also include a copy of the dated first owner purchase receipt with the air tool model included and circled. The serial number and month/year of manufacture of the air hose reel must also be included to determine warranty. A defective product will be promptly replaced with a new one of equal or greater value. This warranty excludes incidental/consequential damages and failures due to misuse, abuse or normal wear and tear. This warranty gives you specific rights, and you may also have other rights, which vary, from state to state.

Please contact the Customer Service Team at 1-888-HD-HUSKY or visit www.HUSKYTOOLS.com

ADDITIONAL LIMITATIONS

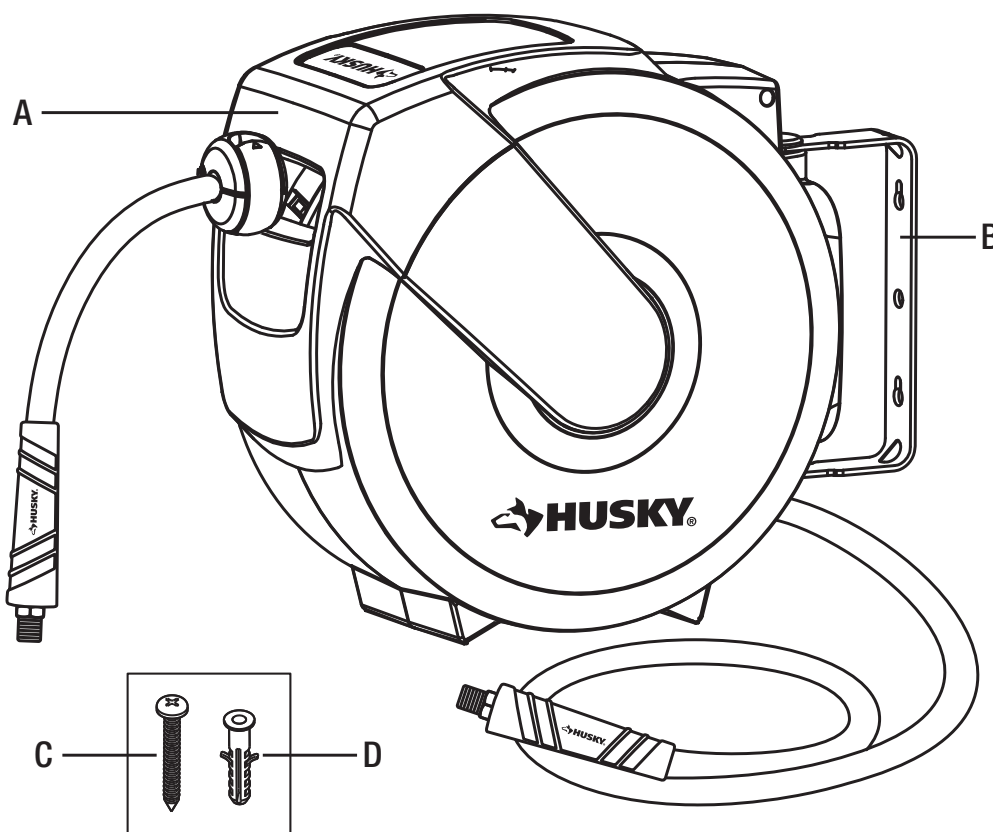
To the extent permitted by applicable law, all implied warranties, including warranties of merchantability of fitness for a particular purpose, are disclaimed. Any implied warranties, including warranties of merchantability or fitness for a particular purpose, that cannot be disclaimed under state law are limited to three years from the date of purchase. Husky is not responsible for direct, indirect, incidental, special or consequential damages. If this air hose reel is used for commercial purposes, the warranty will apply for ninety (90) days from the date of purchase. Some states do not allow limitations on how long an implied warranty lasts and/or do not allow the exclusion or limitation of incidental or consequential damages, so the above limitations may not apply to you. This warranty gives you specific legal rights, and you may also have other rights, which vary from state to state.

Pre-Installation

SPECIFICATIONS

Reel Style	Reel Capacity	Maximum Operation Pressure	Air inlet	Air outlet
Enclosed	50 ft x 3/8 in.	300 PSI	1/4 in. NPT (Male)	1/4 in. NPT (Male)

PACKAGE CONTENTS



Part	Description	Quantity
A	Enclosed Hybrid Hose Reel	1
B	Mount Bracket	1
C	Screw	3
D	Plastic Anchor	3

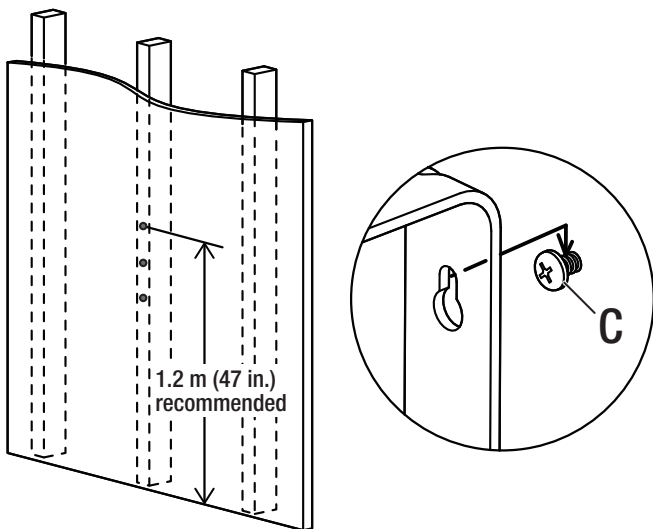
Installation

Choose the best mounting location. This product can be mounted in many different ways. It is important to select your mounting location carefully. Consider mounting to surfaces:

- Near your worksite. This product includes 50 ft of outlet hose. Make sure it can reach your work site.
- Near your compressed air supply. This product includes 5 ft of inlet hose. Make sure it can reach your air supply.
- Out of direct sunlight.
- Strong enough to support the loads shown to the right (per screw). If unsure, contact a professional installer.
- Refer to the installation options below for more detail.

1 Mounting direct to wood stud

- Using stud-finder, locate stud and mark the location.
- Tape the drilling template on the wall at a convenient height, making sure the holes are centered on the stud.
- Check the hole centers with the level to ensure they are plumb.
- Drill 3 holes with a $\varnothing 1/8$ in. masonry drill bit, 1-1/2 in. deep on the template centers.
- Drive mounting screws (C) into the holes, leaving about 1/4 in. between the wall and screw head.
- Hang the hose reel on the screws.
- Tighten the screws.
- Connect the inlet hose end with the air compressor.



2 Mounting to hollow wall and masonry wall

- Tape the drilling template on the wall at a convenient height, making sure the holes are between studs.
- Check the hole centers with the level to ensure they are plumb.
- Drill 3 holes with a $\varnothing 3/8$ in. masonry drill bit on the template centers.
- Tap plastic anchors (D) into holes with a hammer or mallet.
- Drive mounting screws (C) into the plastic anchors (D), leaving about 1/4 in. between the wall and screw head.
- Hang the hose reel on the screws.
- Tighten the screws.
- Connect the inlet hose end with the air compressor.



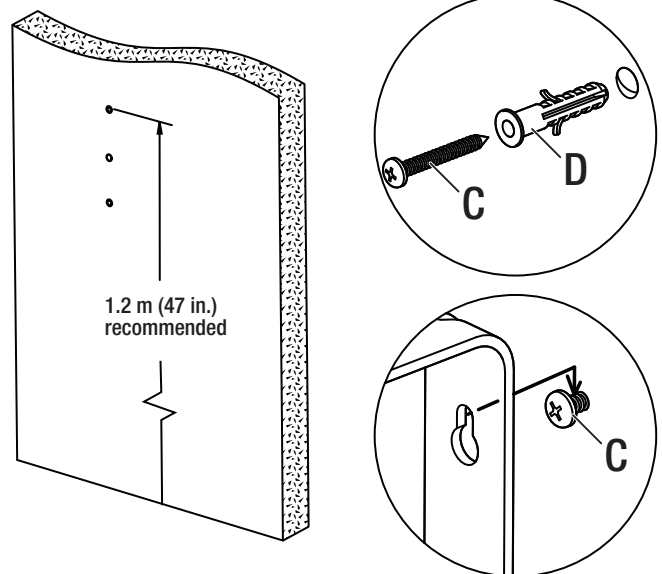
WARNING: If not properly installed, there is a risk of falling. Make sure your installation can support the loads above.



CAUTION: When using power tools such as an electric drill, please wear eye protection.



WARNING: Ensure there are no live electrical wires or plumbing in the wall at the location you are drilling.



Operation

1 Using the hose reel

- Slowly pull the hose out to the required length. A “clicking” noise will be heard every revolution of the inner drum, then the hose will lock in position.
- Pressurize hose reel and use your air-powered tool.



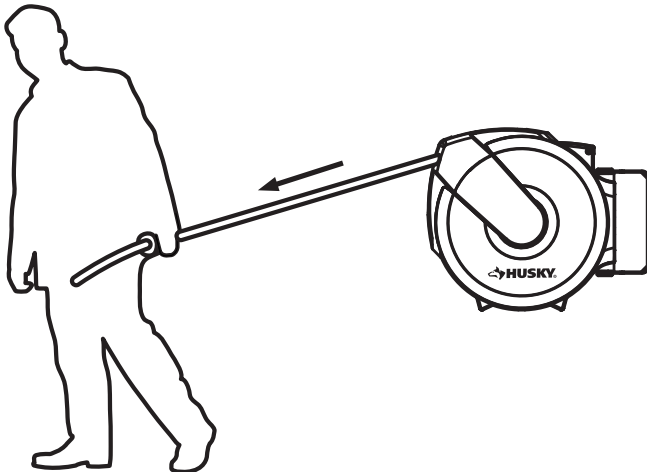
WARNING: Always hold the hose reel until it completely retracts into the hose reel.



WARNING: The yellow tape marks the end of hose length. Release pressure when not in use.

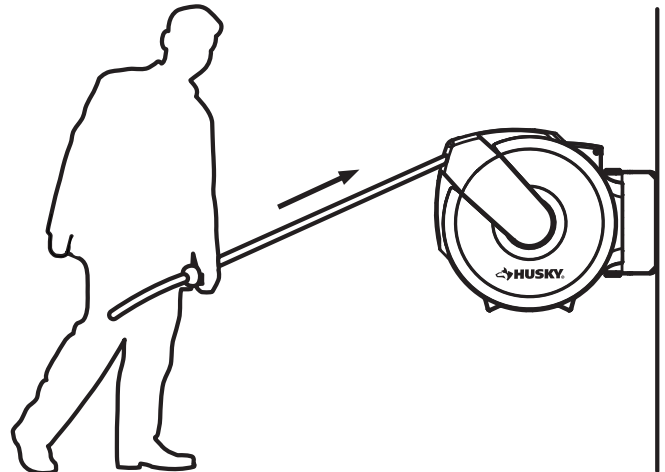


CAUTION: Do not release the hose allowing to rewind on its own.



2 When finished using the hose reel

- Turn off air supply to hose reel.
- Release the pressure in the hose reel, by briefly activating your air-powered tool.
- Give the hose a short pull until the “clicking” noise stops, and walk the hose back to the hose reel.
- To avoid injury and damage, always hold the hose while it is retracting. Always hold the hose until it completely retracts into the hose reel.
- If the hose becomes tangled and will not retract, slowly pull out the hose past the tangled section and then allow the hose to slowly retract while guiding the hose back into the hose reel. Always ensure the hose is clean and not twisted.

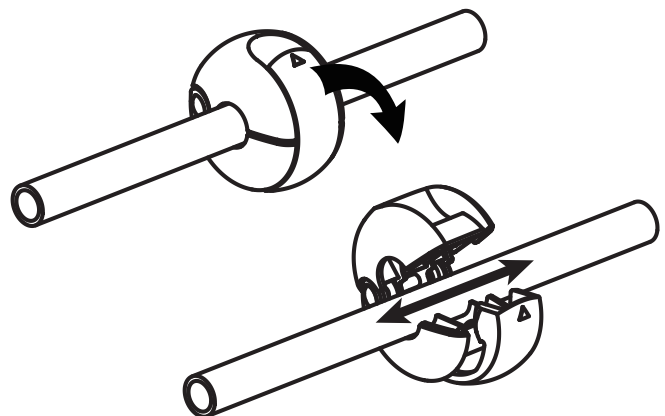


3 Adjusting the stop-ball

- The stop-ball location can be adjusted to ensure the hose is always within reach.
- Pull out the hose to the desired length, ensuring the hose reel is locked (will not rewind).
- Open the latch on the stop ball and move it to the desired location.
- Re-latch the ball.



CAUTION: Always make sure the hose reel is locked before removing the stop-ball, and make sure the stop-ball is securely fastened before unlocking the reel.



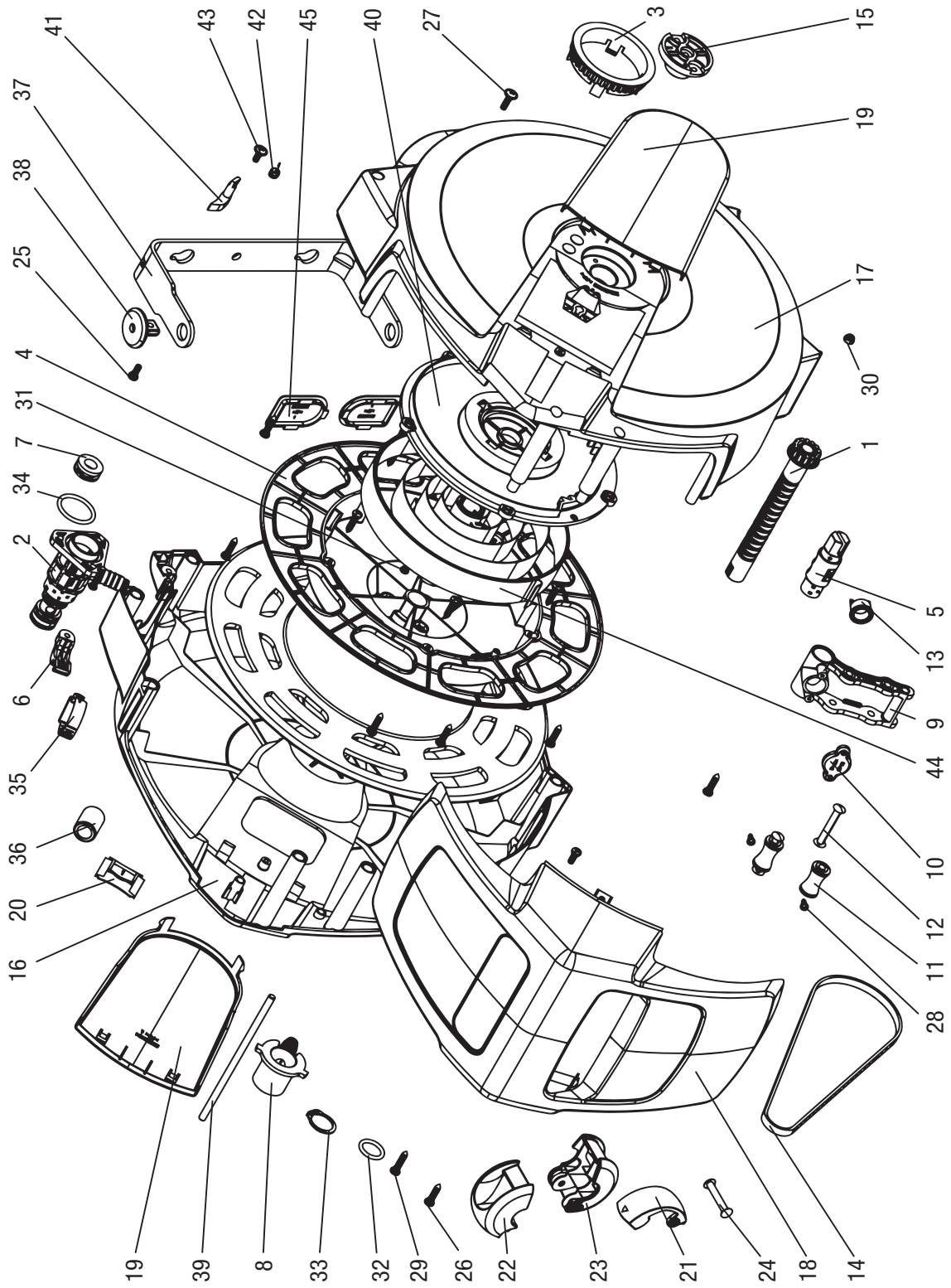
Maintenance

- Always operate the product with care by following the instructions in the manual.
- Always disconnect air connection hose and air supply when product is not in use.
- Check air hose for frays and tears. Always keep the air hose clean after each use.
- If the product fails, have it repaired or replaced by an authorized technician.
- When you will not use the product for a long time, wipe it clean with a dry cloth and store it in a dry and safe place out of reach of children.

Troubleshooting

Problem	Possible Causes	Solution
<ul style="list-style-type: none">□ Air hose cannot be pulled smoothly.□ Air hose does not retract automatically.	Coil spring is loosened or damaged.	<ul style="list-style-type: none">□ Have a qualified service technician replace the coil spring.
Tool runs slowly or will not operate.	<ul style="list-style-type: none">□ Low air pressure.□ Air pressure drops.□ Air hose leaks.	<ul style="list-style-type: none">□ Adjust air regulator to the correct working pressure for tool.□ Make sure that the air connection hose is the proper size and length. Do not use a multiple number of hoses connected together with quickconnect fittings, which will result in pressure drops and reduce tool power.□ Tighten and seal all NPT threads of hose fittings in your air line with thread sealant tape. Replace if the hose is damaged.

Service Parts



Parts List

Part	Description	Quantity
1	Screw tube	1
2	Air outlet piece	1
3	Big belt wheel	1
4	Wheel	1
5	Central axle	1
6	Fixing block	1
7	Air outlet plug	1
8	Admission piece	1
9	Mount rack	1
10	Reversing cover	1
11	Guide wheel	2
12	Button rivet	2
13	Reversing block	1
14	Timing belt	1
15	Preload cover	1
16	Left case	1
17	Right case	1
18	Front cover	1
19	Left/right cover	2
20	Left plug	1
21	Buckle - Bumper	1
22	Part A - Bumper	1

Part	Description	Quantity
23	Part B - Bumper	1
24	Button rivet	1
25	Bolt (STK4.2×10)	2
26	Bolt (STJ4.2×18)	15
27	Bolt (STK4.2×14)	2
28	Bolt (STJ2.9×8)	2
29	Bolt (STJ4.2×20)	2
30	Nut	3
31	Bolt (M4x0.7x18)	3
32	O-ring	3
33	Outside spring	1
34	O-ring	1
35	Stainless steel clamp	1
36	Flat end Copper	1
37	Bracket	1
38	Support block - bracket	2
39	Guide bar	1
40	Spring cover	1
41	Locking pawl	1
42	Tension spring	1
43	Bolt (STK4.2×10)	1
44	Spring	1



Questions, problems, missing parts? Before returning to the store,
call Husky Customer Service
8 a.m. - 7 p.m., EST, Monday-Friday, 9 a.m. - 6 p.m., EST, Saturday

1-888-HD-HUSKY

HUSKYTOOLS.COM

Retain this manual for future use.