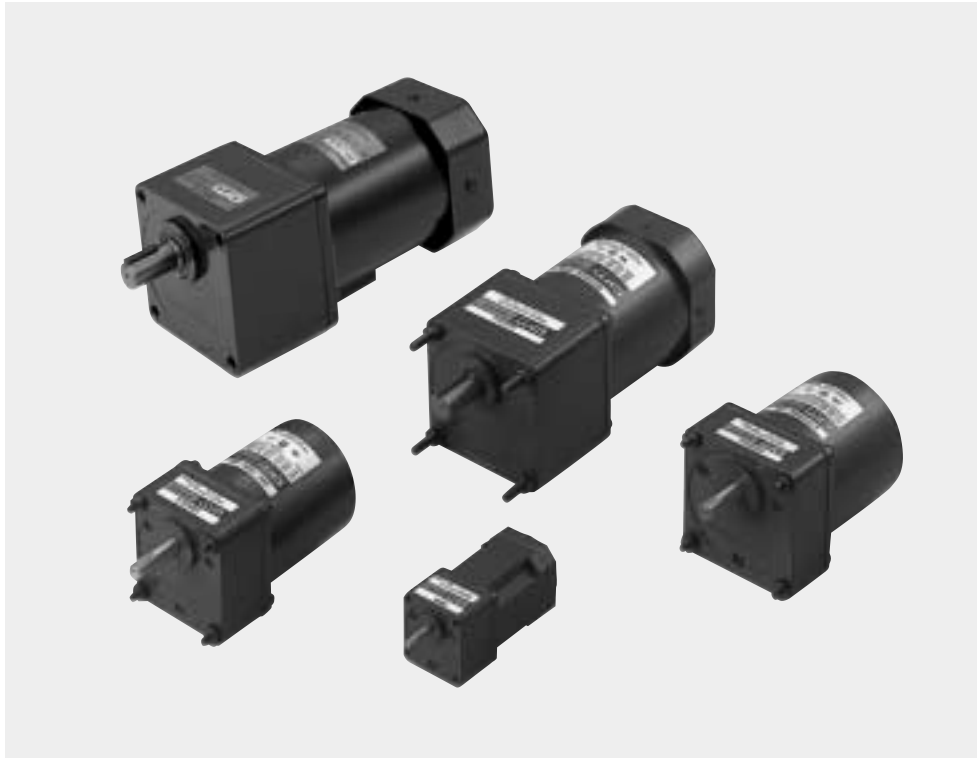


ORIENTAL MOTOR GENERAL CATALOG



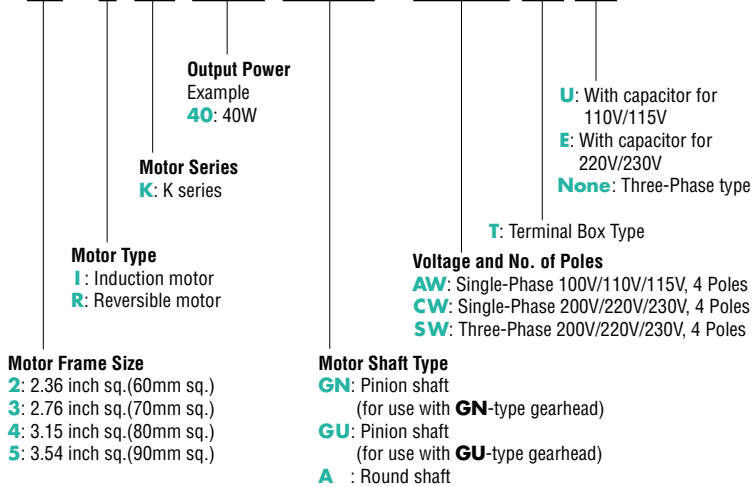
Induction Motors *Reversible Motors* *Synchronous Motors* *Torque Motors*

Product Number Codes.....	A-32
Induction Motors	
Features	A-34
Product Specifications.....	A-35
Induction Motors 1W-200W	A-38
Reversible Motors	
Features	A-74
Product Specifications.....	A-75
Reversible Motors 1W-90W.....	A-78
Synchronous Motors.....	A-102
Torque Motors.....	A-106

Product Number Code

■ Motor

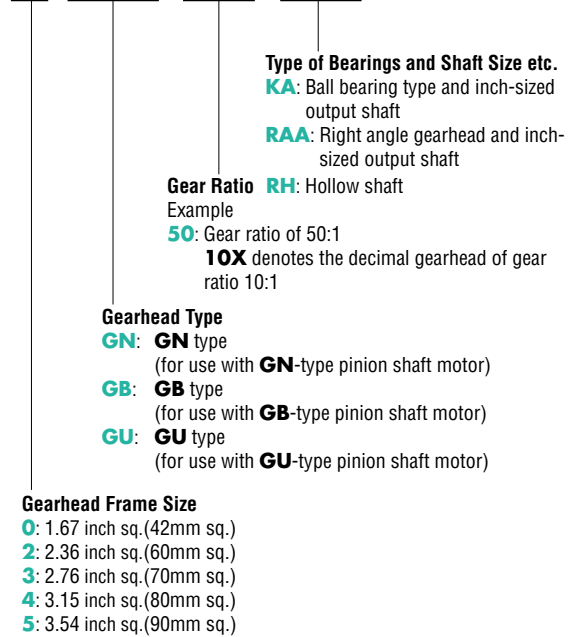
5 I K 40 GN - AW T U



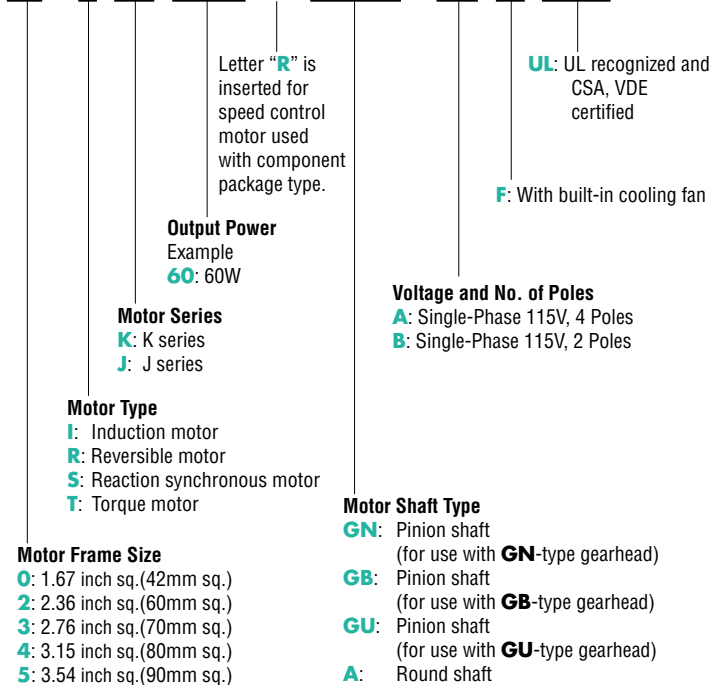
Note : The "U" and "E" at the end of the model name (ordering name)indicate that the unit includes a capacitor. These two letters are not inscribed on the motor nameplate.

■ Gearhead

5 GN 50 KA

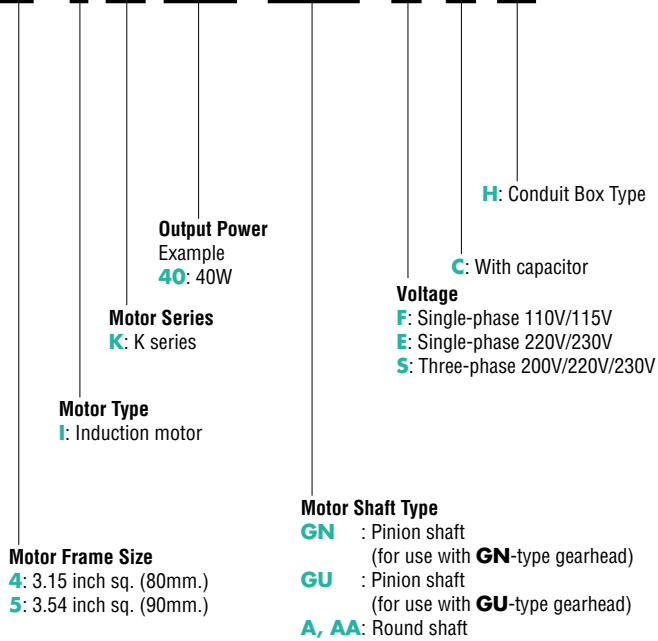


5 I K 60 GU - A F UL

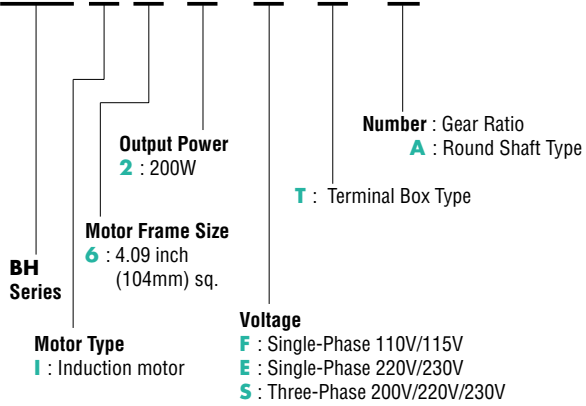


■ Motor

5 I K 40 GN - F C H



BH I 6 2 F T - 5



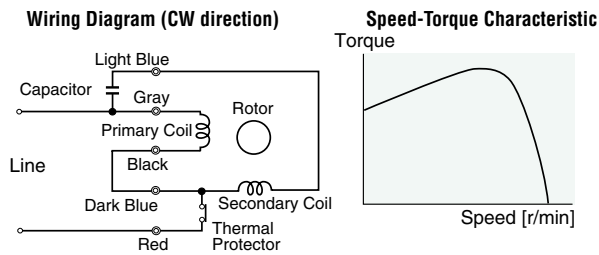
Features of Induction Motors

The speed of induction motors varies with the load. They are used in applications where speed control is not required. Both capacitor-run single-phase motors and three-phase motors are available.



● Capacitor-Run Single-Phase Motors

Most compact single-phase induction motors are capacitor-run. They use a constant secondary coil winding and a capacitor for both starting and normal operation. Starting torque is generally smaller than operating torque, but the structure is simple and reliable, so efficiency is high. Note that a capacitor must be used when operating a single-phase induction motor.



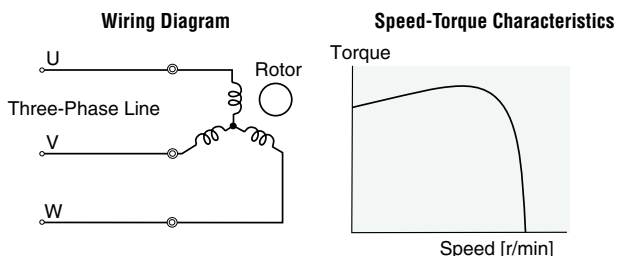
● 2-Pole High-Speed Motors

In principle, this is a single-phase, capacitor-run induction motor except that the speed is twice that of the base model. As opposed to the basic four-pole model with its synchronous speed of 1800r/min at 60Hz, the two-pole version synchronous speed is 3600r/min at 60Hz. This model only comes with a round shaft.

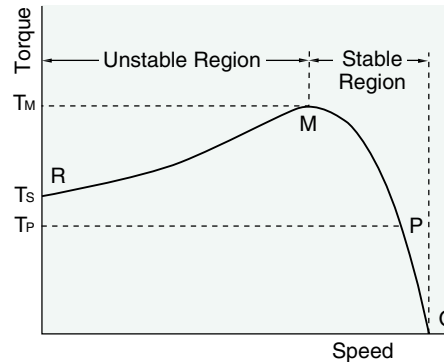
- When using a capacitor with the motor, make sure that the rated capacitance and voltage as indicated on the capacitor correspond to the specifications on the motor.
- Change the direction of motor rotation only after bringing the motor to a stop. If an attempt is made to change the direction of rotation while the motor is rotating, the motor may ignore the reversing command or change its direction of rotation after some delay.

● Three-Phase Motors

These are induction motors driven by three-phase electric power. They are very efficient, have a comparatively large starting torque and are very reliable. They are most commonly used for general drive applications.

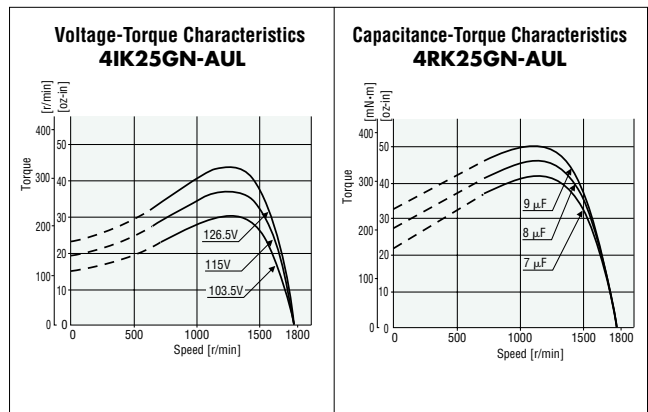


● Speed-Torque Characteristics



The figure above shows the relationship between the motor speed and torque characteristics when the power supply voltage is maintained at a constant level. Under conditions of no load, the motor rotates at a speed close to synchronous rotation, but as load increases the motor speed drops to a speed (P), where a balance is achieved between load and motor torque (T_p). If load is further increased and reaches point M, the motor can generate no greater torque, and stops at point R. In other words, the motor can be operated in a stable range of between M and O, while the range between R and M represents an unstable area.

● Voltage Characteristics and Capacitor Characteristics



The voltage characteristics curve shows the changes in torque characteristics as the voltage applied to the motor is varied. Torque of induction motors is generally in proportion to the square of the voltage. Torque characteristics also vary greatly according to the value of the capacitor. If the capacitor value is increased, both starting and stopping torque increases, but once it reaches 2.5 ~ 3 times the rated value, operating torque begins to decrease and start-up torque levels off.

If an induction motor does not have sufficient torque, a simple method of boosting torque is to increase input voltage or capacitor value. Such methods, however, cause an increase in power loss and a rise in motor temperature. Therefore, it would be advisable to avoid these methods. However in cases where there is no other way to increase torque, it is recommended to take adequate precautions to dissipate motor heat and always keep the temperature of motor case at 194°F (90°C) or less.

Product Specifications

Induction Motors-4Pole

Output Power		Model			Voltage	Frequency	Starting Torque		Rated Torque		Rated Speed	Page	
HP	W	Lead Wire Type	Terminal Box Type	Conduit Box Type	V	Hz	oz-in	mN-m	oz-in	mN-m	r/min		
1/746	1	0IK1GN-AUL	—	—	Single-Phase 115	60	1.1	8	1.1	8	1200	A-38	
1/249	3	2IJ3GB-AUL	—	—	Single-Phase 115	60	3.5	25	2.9	21	1450	A-40	
1/124	6	2IK6GN-AWU	2IK6GN-AWTU	—	Single-Phase 110	60	5.6	40	5.7	41	1450	A-42	
					Single-Phase 115	60							
					Single-Phase 220	60	5.6	40	5.7	41	1450		
		2IK6GN-CWE	2IK6GN-CWTE	—	Single-Phase 230	50	6.2	45	6.8	49	1200		
					Single-Phase 230	60	5.6	40	5.7	41	1450		
					Three-Phase 200	50	6.8	49	6.8	49	1200		
		2IK6GN-SW	2IK6GN-SWT	—	Three-Phase 200	60				1450			
					Three-Phase 220	60	5.7	41	5.7	41	1500		
					Three-Phase 230	60				1500			
		2IK6GN-AUL	—	—	Single-Phase 115	60	5.6	40	5.6	40	1500		
1/50	15	3IK15GN-AWU	—	—	Single-Phase 110	60	9	65	14.6	105	1450	A-45	
					Single-Phase 115	60							
		3IK15GN-CWE	—	—	Single-Phase 220	60	9	65	14.6	105	1450		
					Single-Phase 230	50	10	75	17.4	125	1200		
					Single-Phase 230	60	9	65	14.6	105	1450		
		3IK15GN-AUL	—	—	Single-Phase 115	60	10.4	75	13.9	100	1500		
		4IJ15GB-AUL	—	—	Single-Phase 115	60	10.4	75	13.2	95	1550		
1/30	25	4IK25GN-AWU	4IK25GN-AWTU	4IK25GN-FCH	Single-Phase 110	60	16.7	120	23.6	170	1450	A-48	
					Single-Phase 115	60							
					Single-Phase 220	60			23.6	170	1450		
		4IK25GN-CWE	4IK25GN-CWTE	4IK25GN-ECH	Single-Phase 230	50	16.7	120	28.5	205	1200		
					Single-Phase 230	60			23.6	170	1450		
					Three-Phase 200	50	33.3	240	26.4	190	1300		
					Three-Phase 200	60					1550		
		4IK25GN-SW	4IK25GN-SWT	4IK25GN-SH	Three-Phase 220	60	22.2	160	22.2	160	1600		
					Three-Phase 230	60				1600			
		4IK25GN-AUL	—	—	Single-Phase 115	60	15.3	110	22.9	165	1500		
1/18.5	40	5IK40GN-AWU	5IK40GN-AWTU	5IK40GN-FCH	Single-Phase 110	60	27.8	200	36.1	260	1500	A-53	
					Single-Phase 115	60							
					Single-Phase 220	60			36.1	260	1500		
		5IK40GN-CWE	5IK40GN-CWTE	5IK40GN-ECH	Single-Phase 230	50	27.8	200	41.7	300	1300		
					Single-Phase 230	60			36.1	260	1500		
					Three-Phase 200	50	55.5	400	41.7	300	1300		
			Three-Phase 200	60					1550				
		5IK40GN-SW	5IK40GN-SWT	5IK40GN-SH	Three-Phase 220	60	36.1	260	36.1	260	1600		
					Three-Phase 230	60				1600			
		5IK40GN-AUL	—	—	Single-Phase 115	60	27.8	200	36.1	260	1550		
1/12.5	60	5IK60GU-AWU	5IK60GU-AWTU	5IK60GU-FCH	Single-Phase 110	60	44.4	320	56.2	405	1450	A-58	
					Single-Phase 115	60							
					Single-Phase 220	60			56.2	405	1450		
		5IK60GU-CWE	5IK60GU-CWTE	5IK60GU-ECH	Single-Phase 230	50	44.4	320	68	490	1200		
					Single-Phase 230	60			56.2	405	1450		
			Three-Phase 200	50	83.3	600	62.5	450	1300				
			Three-Phase 200	60					1550				
		5IK60GU-SW	5IK60GU-SWT	5IK60GU-SH	Three-Phase 220	60	69.4	500	52.8	380	1600		
					Three-Phase 230	60				1600			
		5IK60GU-AFUL	—	—	Single-Phase 115	60	41.7	300	52.8	380	1550		
1/8	90	5IK90GU-AWU	5IK90GU-AWTU	5IK90GU-FCH	Single-Phase 110	60	62.5	450	81.2	585	1500	A-63	
					Single-Phase 115	60							
					Single-Phase 220	60			84	605	1450		
		5IK90GU-CWE	5IK90GU-CWTE	5IK90GU-ECH	Single-Phase 230	50	62.5	450	101.4	730	1200		
					Single-Phase 230	60			84	605	1450		
			Three-Phase 200	50	118	850	94.4	680	1300				
			Three-Phase 200	60					1550				
		5IK90GU-SW	5IK90GU-SWT	5IK90GU-SH	Three-Phase 220	60	97.2	700	79.2	570	1600		
					Three-Phase 230	60				1600			
		5IK90GU-AFUL	—	—	Single-Phase 115	60	62.5	450	79.2	570	1550		
1/3.73	200	BHI62F-□	BHI62FT-□	—	Single-Phase 110	60	125	900	181	1300	1500	A-68	
					Single-Phase 115	60	139	1000					
					Single-Phase 220	60			181	1300	1500		
				BHI62ET-□	—	Single-Phase 230	50	139	1000	215	1550		1250
						Single-Phase 230	60			181	1300		1500
						Three-Phase 200	50	215	1550	215	1550		1250
					Three-Phase 200	60	181	1300	181	1300	1500		
					Three-Phase 220	60	174	1250	174	1250	1550		
					Three-Phase 230	60	167	1200	167	1200	1600		

•The "U" and "E" at the end of the model name indicate that the unit includes a capacitor. These two letters are not listed on the motor nameplate.

Induction Motors - 2 Pole (Round shaft type only)

Output Power		Model			Voltage	Frequency	Starting Torque		Rated Torque		Rated Speed	Page
HP	W				V	Hz	oz-in	mN-m	oz-in	mN-m	r/min	
1/18.5	40		4IK40A-BA		Single-Phase 115	60	13.2	95	18	130	3000	A-72
1/12.5	60		5IK60A-BA		Single-Phase 115	60	16.7	120	25.7	185	3200	
1/8	90		5IK90A-BFUL		Single-Phase 115	60	30.6	220	38.9	280	3200	

■ General Specifications

For **-AW**, **-CW** and **-SW** Type

Item	Specifications
Insulation Resistance	100M ohms or more when 500V DC is applied between the windings and the frame.
Dielectric Strength	Sufficient to withstand 1.5kV at 50Hz and 60Hz applied between the windings and the frame.
Temperature Rise	144°F (80°C) or less measured by the resistance change method after rated motor operation with connecting a gearhead or equivalent heat radiation plate.
Insulation Class	Class B (266°F [130°C])
Overheat Protection	2IK have impedance protection. All others have built-in thermal protector (Automatic return type) Operating temperature, open : 266°F±9°F (130°C±5°C) close: 179.6°F±27°F (82°C±15°C)
Ambient Temperature Range	14°F~104°F (-10°C~+40°C) [Three-phase 200V : 14°F~122°F (-10°C~+50°C)]
Ambient Humidity	85% maximum (noncondensing)

Equivalent heat radiation plate (material : Aluminum)

Type (output)	Size inch (mm)	Thickness inch (mm)
2IK Type (6W)	4.53x4.53 (115x115)	0.20 (5)
3IK Type (15W)	4.92x4.92 (125x125)	
4IK Type (25W)	5.31x5.31 (135x135)	
5IK40 Type (40W)	6.50x6.50 (165x165)	
5IK60 Type (60W)	7.87x7.87 (200x200)	
5IK90 Type (90W)	7.87x7.87 (200x200)	

For **BHI** Type

Item	Specifications
Insulation Resistance	100M ohms or more when 500V DC is applied between the windings and the frame.
Dielectric Strength	Sufficient to withstand 1.5kV at 50Hz and 60Hz applied between the windings and the frame.
Temperature Rise	144°F (80°C) or less measured by the resistance change method after rated motor operation with connecting a gearhead or equivalent heat radiation plate. [Three-Phase type : 126°F (70°C)]
Insulation Class	Class B (202°F [130°C])
Overheat Protection	Built-in thermal protector (Automatic return type) Operating temperature, open : 302°F±9°F (150°C±5°C) close : 204.8°F±27°F (96°C±15°C)
Ambient Temperature Range	14°F~104°F (-10°C~+40°C) [Three-Phase 200V : 14°F~122°F (-10°C~+50°C)]
Ambient Humidity	85% maximum (noncondensing)

Equivalent heat radiation plate (material: Aluminum)

Type (output)	Size inch (mm)	Thickness inch (mm)
BHI Type (200W)	9.06x9.06 (230x230)	0.20 (5)

For **-AUL**, **-AULA**, **-AFUL**, **-BA** and **-BFUL** Type

Item	Specifications
Insulation Resistance	100M ohms or more when 500V DC is applied between the windings and the frame after rated motor operation under normal ambient temperature and humidity.
Dielectric Strength	Sufficient to withstand 1.5kV at 50Hz and 60Hz applied between the windings and the frame after rated motor operation under normal ambient temperature and humidity.
Temperature Rise	135°F (75°C) or less measured by the resistance change method after the temperature of the coil has stabilized under normal operation at the rated voltage and frequency.
Insulation Class	Class A (221°F [105°C])
Overheat Protection	OIK and 2IK have impedance protection. All others have built-in thermal protector (Automatic return type) Operating temperature, open : 248°F±9°F (120°C±5°C) close: 170.6°F±27°F (77°C±15°C)
Ambient Temperature Range	14°F~104°F (-10°C~+40°C)
Ambient Humidity	85% maximum (noncondensing)

■ Safety standard and CE Marking

For **-AW(T)U**, **-CW(T)E** and **-SW(T)** Type

Standards	Certification Body	Standards File No.	CE Marking
UL1004 UL519 (6W Type) UL547 (15W~90W) CAN/CSA C22.2 No.100 CAN/CSA C22.2 No.77	UL	E64199 (6W) E64197 (15W~90W)	Low Voltage Directives
EN60950 *	VDE	114919ÜG (Single-Phase 6W Lead wire type) 6751ÜG (15W~90W)	
	DEMKO	124234/DK99-00431 (Three-Phase 90w type)	
EN60034-1 EN60034-5 IEC60034-11	Conform to EN/IEC Standards (EN/IEC certifications are scheduled.)		

* Excluding conduit box types.

For installation for EN/IEC standards, see page D-2.

For **BHI** Type

Standards	Certification Body	CE Marking
UL1004 UL2111 CAN/CSA C22.2 No.100 CAN/CSA C22.2 No.77	Conform to UL/CSA standards (UL/CSA certifications are scheduled)	Low Voltage Directives
EN60950 EN60034-1 EN60034-5 IEC60034-11		

For installation for EN/IEC standards, see page D-2.

For **-AUL**, **-AULA**, **-AFUL**, **-BA** and **-BFUL** Type

Standards	Certification Body	Standards File No.	CE Marking
UL1004 UL519 (6W Type) UL547 (15W~90W Type) CAN/CSA C22.2 No.100 CAN/CSA C22.2 No.77	UL	E64199(1W~6W) E64197(15W~90W)	Low Voltage Directives
EN60950	CSA	LR47296	
	VDE	5876ÜG(1W~6W) 5877ÜG(15W~90W)	

NOTE: UL Mark only for **4IK40A-BA**, **5IK60A-BA**

UL Mark, VDE Mark and CE Mark for **5IK90A-BFUL**

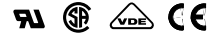
For installation for EN/IEC standards, see page D-2.

INDUCTION MOTORS

Single-Phase

1W (1/746 HP)

Frame Size 1.65 in.sq.(42mm sq.)



Specifications — Continuous Rating

Model		Output Power		Voltage	Frequency	Current	Starting Torque		Rated Torque		Rated Speed	Capacitor
Pinion Shaft Type	Round Shaft Type	HP	W	V AC	Hz	A	oz-in	mN·m	oz-in	mN·m	r/min	μF
OIK1GN-AUL	OIK1A-AUL	1/746	1	115	60	0.08	1.1	8	1.1	8	1200	1.0

●products listed above are impedance protected.

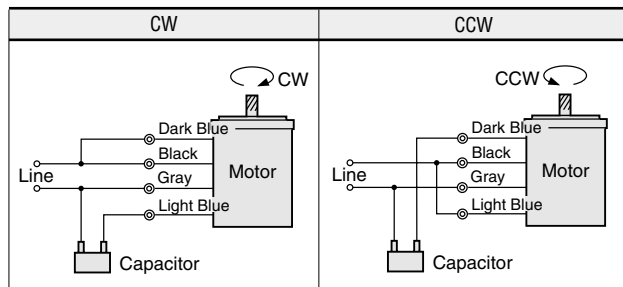
Gearmotor — Torque Table

Unit = Upper values: lb-in / Lower values: N-m

Model	Speed r/min Gear Ratio	600	500	360	300	240	200	144	120	100	72	60	50	36	30	24	20	18	15	12	10
		3	3.6	5	6	7.5	9	12.5	15	18	25	30	36	50	60	75	90	100	120	150	180
OIK1GN-AUL / OGN□KA	0.17	0.20	0.28	0.33	0.42	0.50	0.63	0.75	0.90	1.1	1.4	1.6	2.3	2.7	3.0	3.7	4.1	4.9	6.1	7.3	
	0.019	0.023	0.032	0.039	0.049	0.058	0.073	0.088	0.11	0.13	0.16	0.19	0.26	0.32	0.35	0.42	0.47	0.57	0.71	0.85	

- Gearheads are sold separately. Decimal gearhead is not available for **OGN** type.
- Enter the gear ratio in the box (□) within the model number. A colored background indicates gear shaft rotation in the same direction as the motor shaft; a white background indicates rotation in the opposite direction.
- The speed is calculated by dividing the motor's synchronous speed (60 Hz : 1800 r/min) by the gear ratio. The actual speed is 2 ~ 20% less than the displayed value, depending on the size of the load.

Wiring Diagrams



The direction of motor rotation is as viewed from the shaft end of the motor.

Change the direction of motor rotation only after bringing the motor to a stop. If an attempt is made to change the direction of rotation while the motor is rotating, the motor may ignore the reversing command or change its direction of rotation after some delay.

■ Dimensions Scale 1/4, Unit =inch (mm)

Motor

OIK1GN-AUL

Weight (Mass): 0.7 lb. (0.3 kg)

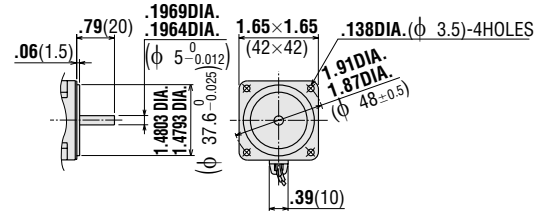
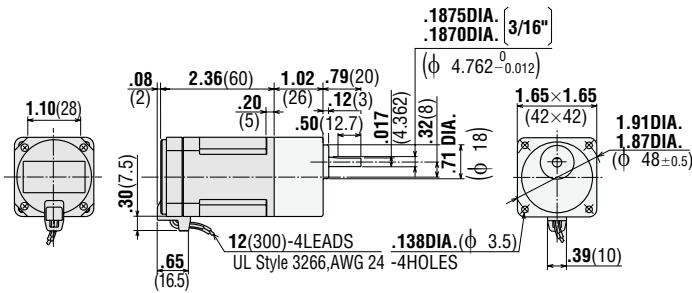
Gearhead

OGN□KA

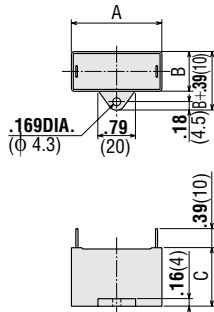
Weight (Mass): 0.44 lb. (0.2 kg)

OIK1A-AUL Round Shaft Type

Weight (Mass): 0.7 lb.(0.3 kg)



● Capacitor (included with the motor)



Motor Model	Capacitor Model	Dimensions inch (mm)			Weight oz (g)
		A	B	C	
OIK1GN-AUL	CH10UL	1.22	.57	.93	0.60 (17)
OIK1A-AUL		(31)	(14.5)	(23.5)	

Capacitor cap is provided with the capacitor.

■ Accessories

● Motor Mounting Brackets

Optional die-cast aluminum mounting brackets are available. They can be used to install motors with or without gearheads. See page [A-266] for the dimensions.

Model name **SOL0U04**



● Flexible Coupling

Optional clamping couplings are available. See page [A-260] for the dimensions.



INDUCTION MOTORS

Single-Phase

3W (1/249 HP)

Frame Size 2.36 in.sq.(60mm sq.)



Specifications — Continuous Rating



Model		Output Power		Voltage	Frequency	Current	Starting Torque		Rated Torque		Rated Speed	Capacitor
Pinion Shaft Type	Round Shaft Type	HP	W	V AC	Hz	A	oz-in	mN·m	oz-in	mN·m	r/min	μF
2IJ3GB-AUL	2IJ3A-AULA	1/249	3	115	60	0.14	3.5	25	2.9	21	1450	1.5

•These products are impedance protected.

Gearmotor — Torque Table

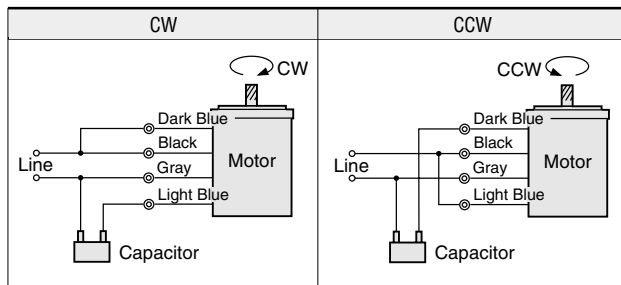
The maximum permissible torque with a decimal gearhead with a gear ratio of 10 is 13 lb-in (1.5 N-m)

Unit = Upper values: lb-in / Lower values: N-m

Model	Speed r/min	600	500	360	300	240	200	144	120	100	72	60	50	36	30	24	20	18	15	12	10	7.2	6	5
	Gear Ratio	3	3.6	5	6	7.5	9	12.5	15	18	25	30	36	50	60	75	90	100	120	150	180	250	300	360
2IJ3GB-AUL / 2GB□KA		0.44	0.53	0.73	0.88	1.1	1.3	1.8	2.2	2.6	3.3	4.0	4.8	6.0	7.2	9.0	11	12	13	13	13	13	13	13
		0.051	0.061	0.085	0.11	0.13	0.15	0.21	0.26	0.31	0.38	0.46	0.55	0.69	0.83	1.0	1.2	1.4	1.5	1.5	1.5	1.5	1.5	1.5

- Gearheads are sold separately.
- Enter the gear ratio in the box (□) within the model number. A colored background indicates gear shaft rotation in the same direction as the motor shaft; a white background indicates rotation in the opposite direction.
- The speed is calculated by dividing the motor's synchronous speed (60 Hz : 1800 r/min) by the gear ratio. The actual speed is 2 ~ 20% less than the displayed value, depending on the size of the load.

Wiring Diagrams



The direction of motor rotation is as viewed from the shaft end of the motor.

Change the direction of motor rotation only after bringing the motor to a stop. If an attempt is made to change the direction of rotation while the motor is rotating, the motor may ignore the reversing command or change its direction of rotation after some delay.

■ Dimensions Scale 1/4, Unit = inch (mm)

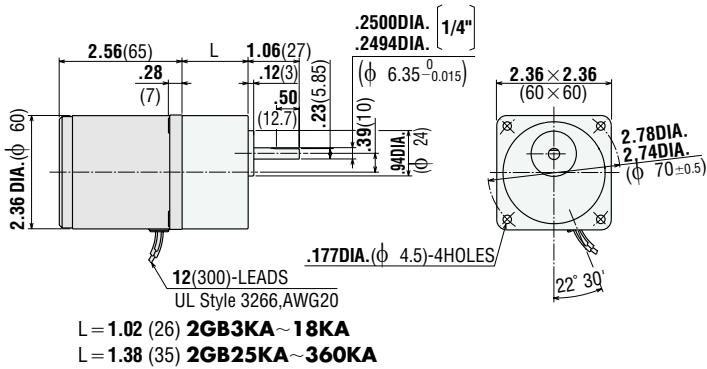
● Motor/Gearhead

2IJ3GB-AUL

Weight (Mass): 1.3 lb.(0.6 kg)

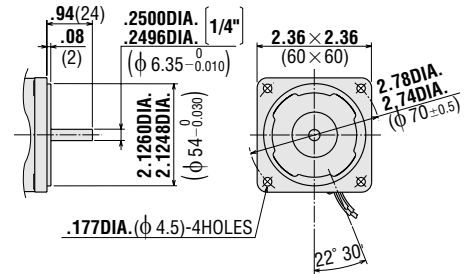
2GB□KA

Weight (Mass): 0.66 lb.(0.3 kg)



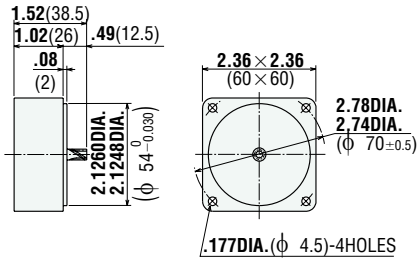
2IJ3A-AULA Round Shaft Type

Weight (Mass): 1.3 lb.(0.6 kg)

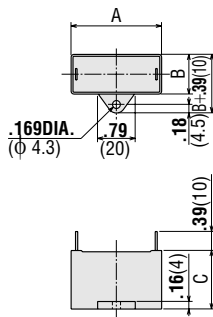


● Decimal Gearhead

2GB10XK Weight (Mass): 0.44 lb.(0.2 kg)



● Capacitor (included with the motor)



Motor Model	Capacitor Model	Dimensions inch (mm)			Weight oz (g)
		A	B	C	
2IJ3GB-AUL	CH15BUL	1.46	.71	1.06	0.81 (23)
2IJ3A-AULA		(37)	(18)	(27)	

Capacitor cap is provided with the capacitor.

■ Accessories

● Motor Mounting Brackets

Optional die-cast aluminum mounting brackets are available. They can be used to install motors with or without gearheads. See page [A-266] for the dimensions.

Model name **SOL2U08**



● Flexible Coupling

Optional clamping couplings are available. See page [A-260] for the dimensions.



INDUCTION MOTORS

Single-Phase, Three-Phase

6W (1/124 HP)

Frame Size 2.36 in.sq.(60mm sq.)



Specifications — Continuous Rating



Model		Output Power	Voltage	Frequency	Current	Starting Torque	Rated Torque	Rated Speed	Capacitor						
Upper Model Name:Pinion Shaft Type	Lower Model Name():Round Shaft Type														
Lead Wire Type	Terminal Box Type	HP	W	V	Hz	A	oz-in	mN·m	oz-in	mN·m	r/min	μF			
Dimension ①	Dimension ②														
2IK6GN-AWU (2IK6A-AWU)	2IK6GN-AWTU (2IK6A-AWTU)	Single-Phase 110											2.5		
		Single-Phase 115													
2IK6GN-CWE (2IK6A-CWE)	2IK6GN-CWTE (2IK6A-CWTE)	Single-Phase 220											0.6		
		Single-Phase 230													
		Single-Phase 230													
		Single-Phase 230													
2IK6GN-SW (2IK6A-SW)	2IK6GN-SWT (2IK6A-SWT)	1/124	6	Three-Phase 200											—
				Three-Phase 200											
				Three-Phase 220											
				Three-Phase 230											
2IK6GN-AUL (2IK6A-AULA)	—	Single-Phase 115											2		

- These products are impedance protected.
- The "U" and "E" at the end of the model name indicate that the unit includes a capacitor. These two letters are not listed on the motor nameplate. When the motor is approved under various safety standards, the nameplate is adopted.
- The terminal box type of the motors are not VDE approved.

Gearmotor — Torque Table

The maximum permissible torque with a decimal gearhead with a gear ratio of 10 is 26 lb-in (3N·m).

Single-Phase 115V/230V, Three-Phase 230V 60Hz

Unit = Upper values: lb-in / Lower values: N·m

Model	Speed r/min	Gear Ratio																			
		600	500	360	300	240	200	144	120	100	72	60	50	36	30	24	20	18	15	12	10
2IK6GN-AWU 2IK6GN-AWTU 2IK6GN-CWE 2IK6GN-CWTE 2IK6GN-SW 2IK6GN-SWT	2GN□KA	0.87	1.0	1.4	1.7	2.2	2.6	3.6	4.3	5.2	6.5	7.8	9.4	12	14	18	21	24	26	26	26
		0.10	0.12	0.17	0.20	0.25	0.30	0.42	0.50	0.60	0.75	0.90	1.1	1.4	1.6	2.0	2.4	2.7	3	3	3
2IK6GN-AUL / 2GN□KA	2GN□KA	0.85	1.0	1.4	1.7	2.1	2.6	3.5	4.3	5.1	6.4	7.7	9.2	12	14	17	21	23	26	26	26
		0.097	0.12	0.16	0.19	0.24	0.29	0.41	0.49	0.58	0.73	0.88	1.1	1.3	1.6	2.0	2.4	2.6	3	3	3

Single-Phase 230V 50Hz

Unit = Upper values: lb-in / Lower values: N·m

Model	Speed r/min	Gear Ratio																			
		500	416	300	250	200	166	120	100	83	60	50	41	30	25	20	16	15	12.5	10	8.3
2IK6GN-CWE 2IK6GN-CWTE	2GN□KA	1.0	1.2	1.7	2.1	2.6	3.1	4.3	5.2	6.2	7.8	9.3	11	14	17	21	25	26	26	26	26
		0.12	0.14	0.20	0.24	0.30	0.36	0.50	0.60	0.71	0.89	1.1	1.3	1.6	1.9	2.4	2.9	3	3	3	3

- Gearheads are sold separately.
- Enter the gear ratio in the box (□) within the model number. A colored background indicates gear shaft rotation in the same direction as the motor shaft; a white background indicates rotation in the opposite direction.
- The speed is calculated by dividing the motor's synchronous speed (50 Hz: 1500r/min, 60 Hz: 1800 r/min) by the gear ratio. The actual speed is 2 ~ 20% less than the displayed value, depending on the size of the load.

■ Dimensions Scale 1/4, Unit = inch (mm)

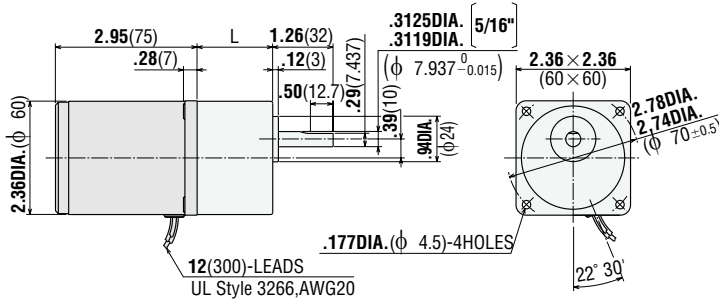
① Motor/Gearhead

2IK6GN-AWU
2IK6GN-CWE
2IK6GN-SW
2IK6GN-AUL

Weight (Mass): 1.5 lb.(0.7 kg)

2GN□KA

Weight (Mass): 0.88 lb.(0.4 kg)

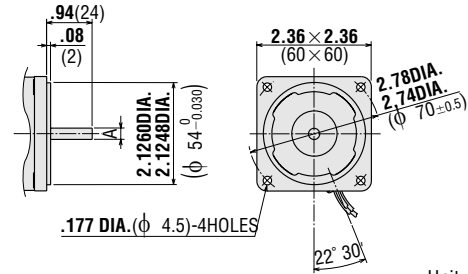


L = 1.18 (30) **2GN3KA~18KA**
 L = 1.57 (40) **2GN25KA~180KA**

2IK6A-AWU
2IK6A-CWE
2IK6A-SW
2IK6A-AULA

Weight (Mass): 1.5 lb.(0.7 kg)

Round Shaft Type



Unit = inch (mm)

Model	Shaft diameter A
2IK6A-AWU	.2362DIA. (φ 6 ⁰ _{.012})
2IK6A-CWE	.2357DIA. (φ 6 ⁰ _{.012})
2IK6A-SW	
2IK6A-AULA	.2500DIA. [1/4"](φ 6.35 ⁰ _{.010}) .2496DIA.

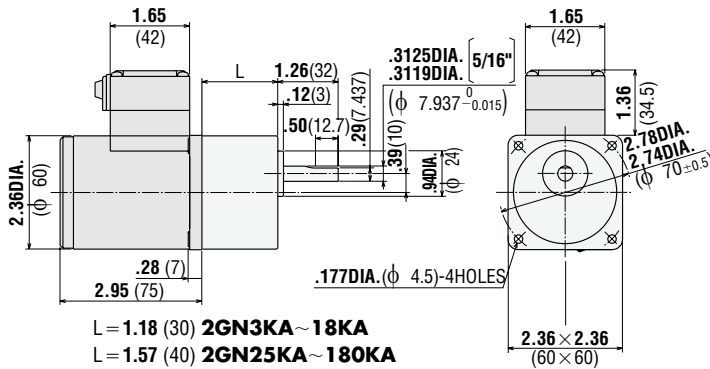
② Motor/Gearhead

2IK6GN-AWTU
2IK6GN-CWTE
2IK6GN-SWT

Weight (Mass): 1.7 lb.(0.75 kg)

2GN□KA

Weight (Mass): 0.88 lb.(0.4 kg)



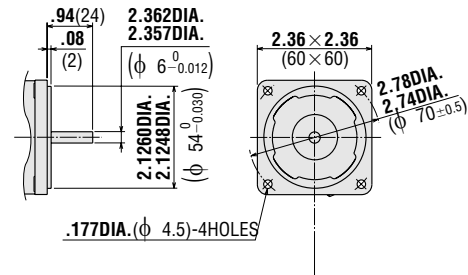
L = 1.18 (30) **2GN3KA~18KA**
 L = 1.57 (40) **2GN25KA~180KA**

Use cabtyre cable with the diameter of .27DIA.(φ 6.8)~.34DIA.(φ 8.6).

2IK6A-AWTU
2IK6A-CWTE
2IK6A-SWT

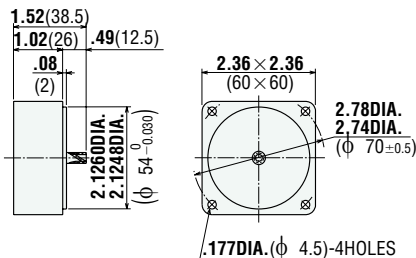
Weight (Mass): 1.7 lb.(0.75 kg)

Round Shaft Type

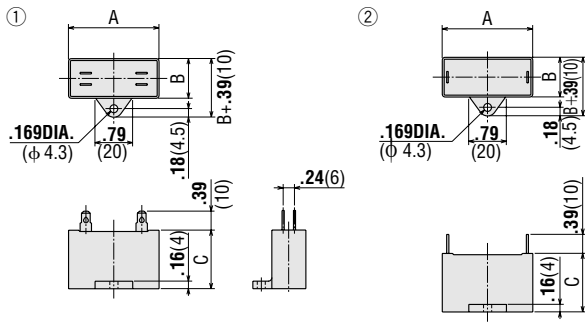


● Decimal Gearhead

2GN10XK Weight (Mass): 0.44 lb.(0.2 kg)



● **Capacitor** (included with the motor)



Motor Model	Capacitor Model	Dimensions in. (mm)			Weight (Mass) oz (g)	Dimension No.
		A	B	C		
2IK6GN-AW□U	CH25FAUL	1.22 (31)	.67 (17)	1.06 (27)	0.71 (20)	①
2IK6A-AW□U						
2IK6GN-CW□E	CH06BFAUL	1.22 (31)	.57 (14.5)	.93 (23.5)	0.53 (15)	①
2IK6A-CW□E						
2IK6GN-AUL	CH20UL	1.22 (31)	.57 (14.5)	.93 (23.5)	0.53 (15)	②
2IK6A-AULA						

If you need to order a capacitor without a motor, add "-C" to the capacitor model number shown. A capacitor cap is always included with a capacitor.

■ **Wiring Diagrams** The direction of motor rotation is as viewed from the shaft end of the motor.

Model Direction	Lead Wire Type			Terminal Box Type	
	2IK6GN-AWU 2IK6GN-CWE	2IK6GN-SW	2IK6GN-AUL	2IK6GN-AWTU 2IK6GN-CWTE	2IK6GN-SWT
CW					
CCW	To rotate the motor in a clockwise (CW) direction, flip switch SW to CW. To rotate it in a counterclockwise (CCW) direction, flip switch SW to CCW.	To change the rotation, change any two connections between U, V and W.		To rotate the motor in a clockwise (CW) direction, flip switch SW to CW. To rotate it in a counterclockwise (CCW) direction, flip switch SW to CCW.	To change the rotation, change any two connections between U, V and W.

Change the direction of motor rotation only after bringing the motor to a stop.

If an attempt is made to change the direction of rotation while the motor is rotating, the motor may ignore the reversing command or change its direction of rotation after some delay.

■ **Accessories**

● **Motor Mounting Brackets**

Optional die-cast aluminum mounting brackets are available. They can be used to install motors with or without gearheads. See page [A-266] for the dimensions.

Model name **SOL2U08**



● **Flexible Coupling**

Optional clamping couplings are available. See page [A-260] for the dimensions.





INDUCTION MOTORS

Single-Phase

15w (1/50 HP)

Frame Size 2.76 in.sq.(□70mm) or 3.15 in.sq.(□80mm)



Specifications — Continuous Rating

Model		Output Power	Voltage	Frequency	Current	Starting Torque	Rated Torque	Rated Speed	Capacitor				
Upper Model Name:Pinion Shaft Type	Lower Model Name():Round Shaft Type												
Lead Wire Type	Lead Wire Type	HP	W	V	Hz	A	oz-in	mN·m	oz-in	mN·m	r/min	μF	
Dimension ①	Dimension ②												
3IK15GN-AWU (3IK15A-AWU)	—	1/50	15	Single-Phase 110	60	0.33	9	65	14.6	105	1450	4.5	
				Single-Phase 115	60	0.34							
3IK15GN-CWE (3IK15A-CWE)	—			Single-Phase 220	60	0.16	9	65	14.6	105	1450		
				Single-Phase 230	50	0.19	10	75	17.4	125	1200	1	
				Single-Phase 230	60	0.16	9	65	14.6	105	1450		
3IK15GN-AUL (3IK15A-AULA)	—			Single-Phase 115	60	0.33	10.4	75	13.9	100	1500	4	
— 4IJ15GB-AUL (4IJ15A-AULA)	4IJ15GB-AUL (4IJ15A-AULA)	Single-Phase 115	60	0.35	10.4	75	13.2	95	1550	3			

- The product contains a built-in thermal protector. When a motor overheats for any reason, the thermal protector is opened and the motor stops. When the motor temperature drops, the thermal protector closes and the motor restarts. Be sure to turn the motor off before inspecting.
- The "U" and "E" at the end of the model name indicate that the unit includes a capacitor. These two letters are not listed on the motor nameplate. When the motor is approved under various safety standards, the nameplate is adopted.

Gearmotor — Torque Table

The maximum permissible torque with a decimal gearhead with a gear ratio of 10 is 43 lb-in (5N·m).

Single-Phase 115V/230V, 60Hz

Unit = Upper values: lb-in / Lower values: N·m

Model	Speed r/min	Gear Ratio																							
		600	500	360	300	240	200	144	120	100	72	60	50	36	30	24	20	18	15	12	10	7.2	6	5	
3IK15GN-AWU / 3IK15GN-CWE / 3GN□KA	2.2	2.7	3.7	4.4	5.5	6.7	9.2	11	13	17	20	24	30	36	43	43	43	43	43	43	—	—	—		
	0.26	0.31	0.43	0.51	0.64	0.77	1.1	1.3	1.5	1.9	2.3	2.8	3.5	4.2	5	5	5	5	5	5	—	—	—		
3IK15GN-AUL / 3GN□KA	2.1	2.5	3.5	4.2	5.3	6.3	8.8	11	13	16	19	23	29	34	43	43	43	43	43	43	—	—	—		
	0.24	0.29	0.41	0.49	0.61	0.73	1.0	1.2	1.5	1.8	2.2	2.6	3.3	4	5	5	5	5	5	5	—	—	—		
4IJ15GB-AUL / 4GB□KA	2.0	2.4	3.3	4.0	5.0	6.0	8.3	9.9	12	15	18	22	27	32	41	43	43	43	43	43	43	43	43		
	0.23	0.28	0.38	0.46	0.58	0.69	0.96	1.2	1.4	1.7	2.1	2.5	3.1	3.8	4.7	5	5	5	5	5	5	5	5		

Single-Phase 230V 50Hz

Unit = Upper values: lb-in / Lower values: N·m

Model	Speed r/min	Gear Ratio																				
		500	416	300	250	200	166	120	100	83	60	50	41	30	25	20	16	15	12.5	10	8.3	
3IK15GN-CWE / 3GN□KA	2.6	3.2	4.4	5.3	6.6	7.9	11	13	16	20	24	29	36	43	43	43	43	43	43	43	43	43
	0.30	0.36	0.51	0.61	0.76	0.91	1.3	1.5	1.8	2.3	2.7	3.3	4.1	5	5	5	5	5	5	5	5	5

- Gearheads are sold separately.
- Enter the gear ratio in the box (□) within the model number. A colored background indicates gear shaft rotation in the same direction as the motor shaft; a white background indicates rotation in the opposite direction.
- The speed is calculated by dividing the motor's synchronous speed (50 Hz: 1500r/min, 60 Hz: 1800 r/min) by the gear ratio. The actual speed is 2 ~ 20% less than the displayed value, depending on the size of the load.

■ Dimensions Scale 1/4, Unit = inch (mm)

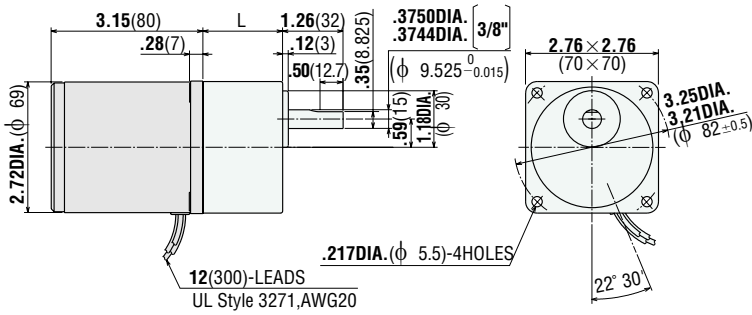
① Motor/Gearhead

3IK15GN-AWU
3IK15GN-CWE
3IK15GN-AUL

Weight (Mass): 2.4 lb.(1.1 kg)

3GN□KA

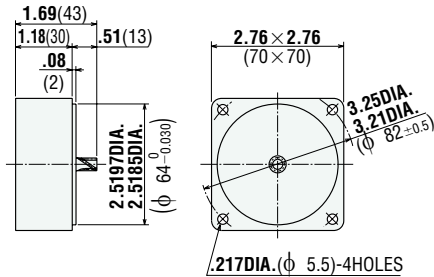
Weight (Mass): 1.21 lb.(0.55 kg)



L = 1.26 (32) **3GN3KA ~ 18KA**
 L = 1.65 (42) **3GN25KA ~ 180KA**

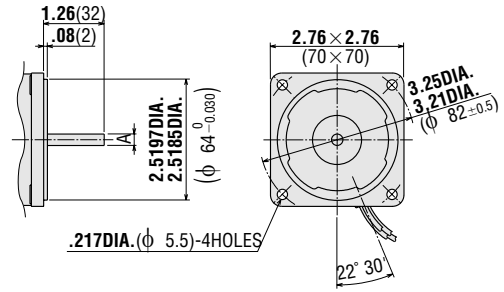
● Decimal Gearhead

3GN10XK Weight (Mass): 0.66 lb.(0.3 kg)



3IK15A-AWU Round Shaft Type
3IK15A-CWE
3IK15A-AULA

Weight (Mass): 2.4 lb.(1.1 kg)



Unit = inch (mm)

Model	Shaft Diameter A
3IK15A-AWU	.2362DIA. (φ 6.0 _{0.012})
3IK15A-CWE	.2357DIA. (φ 6.0 _{0.012})
3IK15A-AULA	.2500DIA. [1/4"] (φ 6.350 _{0.010})
	.2496DIA. (φ 6.350 _{0.010})

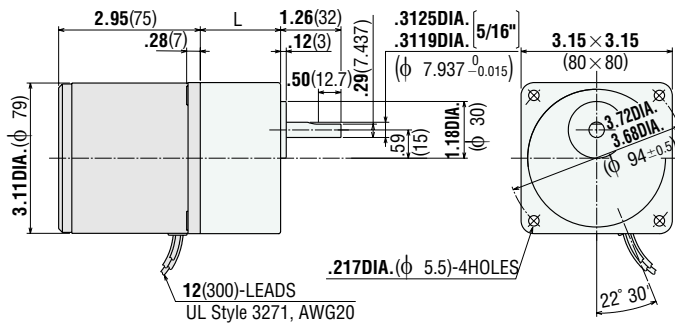
② Motor/Gearhead

4IJ15GB-AUL

Weight (Mass): 3.1 lb.(1.4 kg)

4GB□KA

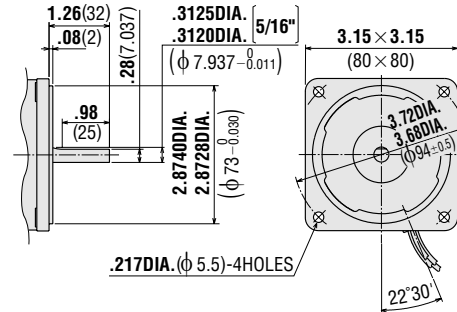
Weight (Mass): 1.43 lb.(0.65 kg)



L = 1.26 (32) **4GB3KA ~ 18KA**
 L = 1.67 (42.5) **4GB25KA ~ 360KA**

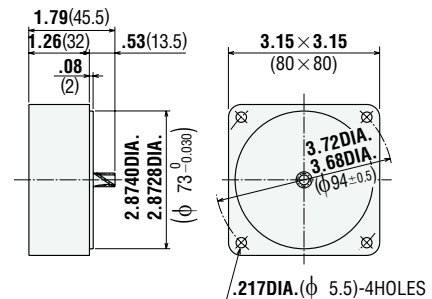
4IJ15A-AULA Round Shaft Type

Weight (Mass): 3.1 lb.(1.4 kg)

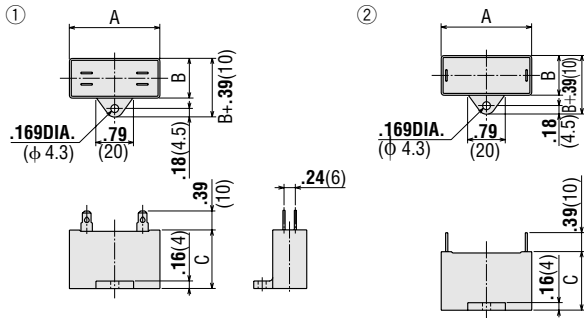


● Decimal Gearhead

4GB10XK Weight (Mass): 0.77 lb.(0.35 kg)



● **Capacitor** (included with the motor)



Motor Model	Capacitor Model	Dimensions inch (mm)			Weight (Mass) oz (g)	Dimension No.
		A	B	C		
3IK15GN-AW□U	CH45FAUL	1.46	.71	1.06	1.06 (30)	①
3IK15A-AW□U		(37)	(18)	(27)		
3IK15GN-CW□E	CH10BFAUL	1.46	.71	1.06	1.06 (30)	①
3IK15A-CW□E		(37)	(18)	(27)		
3IK15GN-AUL	CH40UL	1.46	.71	1.06	0.92 (26)	②
3IK15A-AULA		(37)	(18)	(27)		
4IJ15GB-AUL	CH30UL	1.22	.67	1.06	0.71 (20)	②
4IJ15A-AULA		(31)	(17)	(27)		

If you need to order a capacitor without a motor, add "-C" to the capacitor model number shown. A capacitor cap is always included with a capacitor.

■ **Wiring Diagrams** The direction of motor rotation is as viewed from the shaft end of the motor.

Model	Lead Wire Type	
	3IK15GN-AWU 3IK15GN-CWE	3IK15GN-AUL 4IJ15GB-AUL
Direction		
CW		
CCW	<p>To rotate the motor in a clockwise (CW) direction, flip switch SW to CW.</p> <p>To rotate it in a counterclockwise (CCW) direction, flip switch SW to CCW.</p>	

Change the direction of motor rotation only after bringing the motor to a stop. If an attempt is made to change the direction of rotation while the motor is rotating, the motor may ignore the reversing command or change its direction of rotation after some delay.

■ **Accessories**

● **Motor Mounting Brackets**

Optional die-cast aluminum mounting brackets are available. They can be used to install motors with or without gearheads. See page [A-266] for the dimensions.

Model name **SOL3U10**
SOL4U10



● **Flexible Coupling**

Optional clamping couplings are available. See page [A-260] for the dimensions.



INDUCTION MOTORS

Single-Phase, Three-Phase

25w (1/30 HP)

Frame Size 3.15 in.sq.(80mm sq.)



Specifications — Continuous Rating



Model Upper Model Name:Pinion Shaft Type Lower Model Name():Round Shaft Type			Output Power	Voltage	Frequency	Current	Starting Torque	Rated Torque	Rated Speed	Capacitor				
Lead Wire Type Dimension ①	Terminal Box Type Dimension ②	Conduit Box Type Dimension ③	HP	W	V	Hz	A	oz-in mN·m	oz-in mN·m	r/min	μF			
UL VDE	4IK25GN-AWU (4IK25A-AWU)	4IK25GN-AWTU (4IK25A-AWTU)	4IK25GN-FCH (4IK25AA-FCH)	1/30	25	Single-Phase 110	60	0.46	16.7	120	23.6	170	1450	6.5
						Single-Phase 115	60							
UL VDE	4IK25GN-CWE (4IK25A-CWE)	4IK25GN-CWTE (4IK25A-CWTE)	4IK25GN-ECH (4IK25AA-ECH)	1/30	25	Single-Phase 220	60	0.22		120	23.6	170	1450	1.5
						Single-Phase 230	50	0.24	16.7	120	28.5	205	1200	
UL VDE	4IK25GN-SW (4IK25A-SW)	4IK25GN-SWT (4IK25A-SWT)	4IK25GN-SH (4IK25AA-SH)	1/30	25	Three-Phase 200	50	0.23	33.3	240	26.4	190	1300	—
						Three-Phase 200	60	0.21	22.2	160	22.2	160	1550	
						Three-Phase 220	60	0.21	22.2	160	22.2	160	1600	
						Three-Phase 230	60	0.22	22.2	160	22.2	160	1600	
UL VDE	4IK25GN-AUL (4IK25A-AULA)	—	—	1/30	25	Single-Phase 115	60	0.49	15.3	110	22.9	165	1500	4.5

- The product contains a built-in thermal protector. When a motor overheats for any reason, the thermal protector is opened and the motor stops. When the motor temperature drops, the thermal protector closes and the motor restarts. Be sure to turn the motor off before inspecting.
- The "U" and "E" at the end of the model name indicate that the unit includes a capacitor. These two letters are not listed on the motor nameplate. When the motor is approved under various safety standards, the nameplate is adopted.
- The conduit box type of the motors are not VDE approved.

Gearmotor — Torque Table

The maximum permissible torque with a decimal gearhead with a gear ratio of 10 is 69 lb-in (8N·m). The value is 52 lb-in (6N·m) when 25:1~36:1 gearheads are connected.

- Right-Angle gearhead may be connected. See page [A-216] for more information on the right-angle gearheads.

Single-Phase 115V/230V, Three-Phase 230V 60Hz

Unit = Upper values: lb-in / Lower values: N·m

Model	Speed r/min Gear Ratio	600	500	360	300	240	200	144	120	100	72	60	50	36	30	24	20	18	15	12	10	
		3	3.6	5	6	7.5	9	12.5	15	18	25	30	36	50	60	75	90	100	120	150	180	
4IK25GN-AWU 4IK25GN-AWTU 4IK25GN-CWE 4IK25GN-CWTE 4IK25GN-FCH 4IK25GN-ECH	4GN□KA	3.6	4.3	6.0	7.2	9.0	11	15	18	22	27	32	39	49	58	69	69	69	69	69	69	
		0.41	0.50	0.69	0.83	1.0	1.2	1.7	2.1	2.5	3.1	3.7	4.5	5.6	6.7	8	8	8	8	8	8	
		3.4	4.0	5.6	6.7	8.4	10	14	17	20	25	30	36	46	55	69	69	69	69	69	69	69
		0.39	0.47	0.65	0.78	0.97	1.2	1.6	1.9	2.3	2.9	3.5	4.2	5.3	6.3	7.9	8	8	8	8	8	8
		3.5	4.2	5.8	7.0	8.7	10	14	17	21	26	31	38	47	57	69	69	69	69	69	69	69
4IK25GN-AUL / 4GN□KA		0.40	0.48	0.67	0.80	1.0	1.2	1.7	2.0	2.4	3.0	3.6	4.3	5.4	6.5	8	8	8	8	8	8	

Single-Phase 230V 50Hz

Unit = Upper values: lb-in / Lower values: N·m

Model	Speed r/min Gear Ratio	500	416	300	250	200	166	120	100	83	60	50	41	30	25	20	16	15	12.5	10	8.3
		3	3.6	5	6	7.5	9	12.5	15	18	25	30	36	50	60	75	90	100	120	150	180
4IK25GN-CWE 4IK25GN-CWTE 4IK25GN-ECH	4GN□KA	4.3	5.2	7.2	8.7	11	13	18	22	26	33	39	47	59	69	69	69	69	69	69	69
		0.50	0.60	0.83	1.0	1.2	1.5	2.1	2.5	3.0	3.7	4.5	5.4	6.8	8	8	8	8	8	8	8

- Gearheads are sold separately.
- Enter the gear ratio in the box (□) within the model number. A colored background indicates gear shaft rotation in the same direction as the motor shaft; a white background indicates rotation in the opposite direction.
- The speed is calculated by dividing the motor's synchronous speed (50 Hz: 1500r/min, 60 Hz: 1800 r/min) by the gear ratio. The actual speed is 2 ~ 20% less than the displayed value, depending on the size of the load.

■ Dimensions Scale 1/4, Unit = inch (mm)

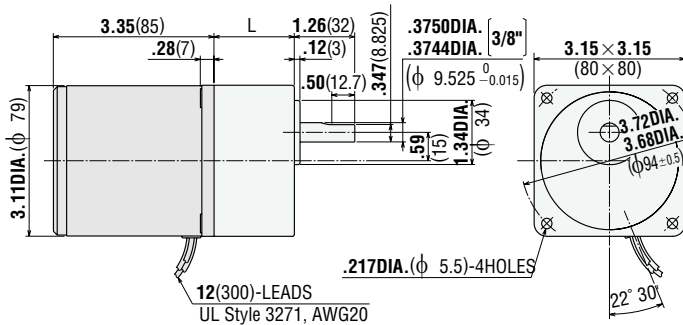
① Motor/Gearhead

4IK25GN-AWU
4IK25GN-CWE
4IK25GN-SW
4IK25GN-AUL

Weight (Mass): 3.3 lb.(1.5 kg)

4GN□KA

Weight (Mass): 1.43 lb.(0.65 kg)

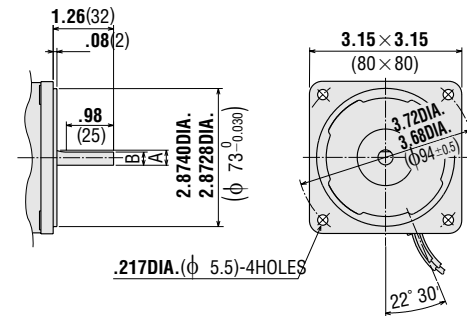


L=1.26 (32) **4GN3KA~18KA**
 L=1.67 (42.5) **4GN25KA~180KA**

4IK25A-AWU Round Shaft Type

4IK25A-CWE
4IK25A-SW
4IK25A-AULA

Weight (Mass): 3.3 lb.(1.5 kg)



Unit = inch (mm)

Model	Shaft Diameter A	B
4IK25A-AWU	.3150DIA. (φ 8 ⁰ _{-0.015})	.28(7)
4IK25A-CWE 4IK25A-SW	.3144DIA. (φ 8 ⁰ _{-0.015})	.28(7)
4IK25A-AULA	.3125DIA. [5/16"] (φ 7.937 ⁰ _{-0.011})	.28(7.037)

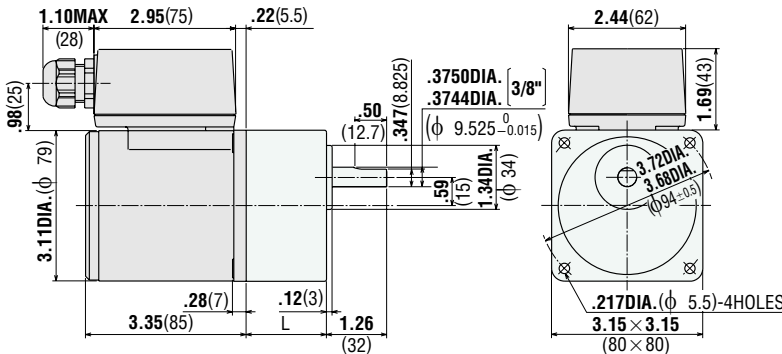
② Motor/Gearhead

4IK25GN-AWTU
4IK25GN-CWTE
4IK25GN-SWT

Weight (Mass): 3.7 lb.(1.7 kg)

4GN□KA

Weight (Mass): 1.43 lb.(0.65 kg)



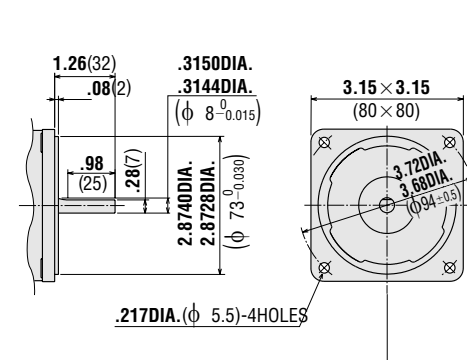
L=1.26 (32) **4GN3KA~18KA**
 L=1.67 (42.5) **4GN25KA~180KA**

Use cabtyre cable with the diameter of .24DIA.(φ 6)~.47DIA.(φ 12).

4IK25A-AWTU Round Shaft Type

4IK25A-CWTE
4IK25A-SWT

Weight (Mass): 3.7 lb.(1.7 kg)



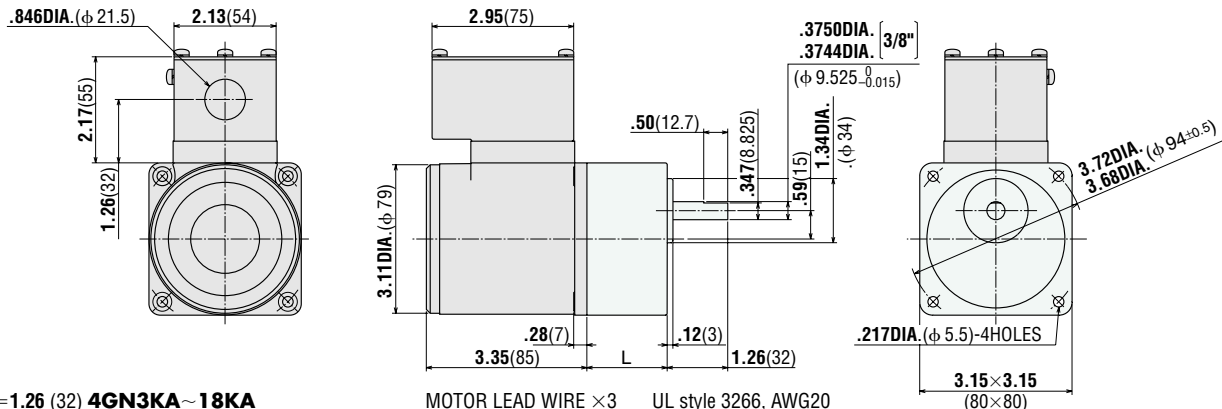
③ Motor/Gearhead

4IK25GN-FCH
4IK25GN-ECH

Weight (Mass): 4.2 lb.(1.9 kg)

4GN□KA

Weight (Mass): 1.43 lb.(0.65 kg)

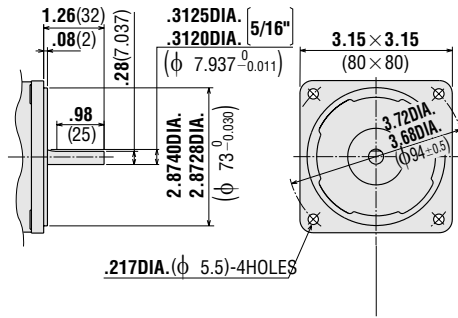


L=1.26 (32) **4GN3KA~18KA**
 L=1.67 (42.5) **4GN25KA~180KA**

MOTOR LEAD WIRE ×3 UL style 3266, AWG20
 GROUND LEAD WIRE ×1 UL style 3266, AWG18

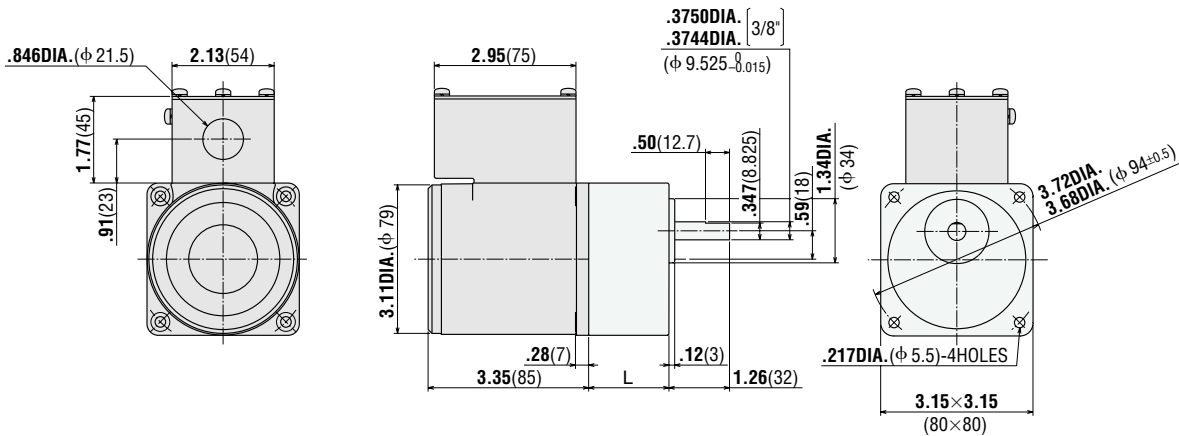
4IK25AA-FCH Round Shaft Type
4IK25AA-ECH

Weight (Mass): 4.2 lb.(1.9 kg)



4IK25GN-SH / **4GN□KA**

Weight (Mass): 3.7 lb.(1.7 kg) / Weight (Mass): 1.43 lb.(0.65 kg)

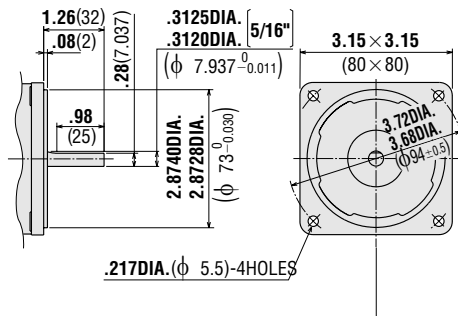


L=1.26 (32) **4GN3KA~18KA**
 L=1.67 (42.5) **4GN25KA~180KA**

MOTOR LEAD WIRE ×3 UL style 3266, AWG20
 GROUND LEAD WIRE ×1 UL style 3266, AWG18

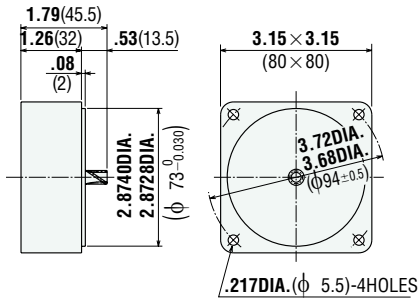
4IK25AA-SH Round Shaft Type

Weight (Mass): 3.7 lb.(1.7 kg)

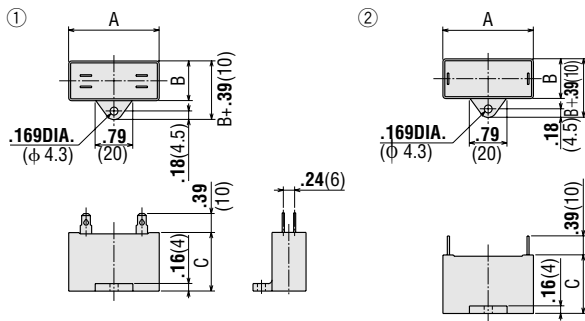


● Decimal Gearhead

4GN10XK Weight (Mass): 0.88 lb.(0.4 kg)



● Capacitor (included with the motor)

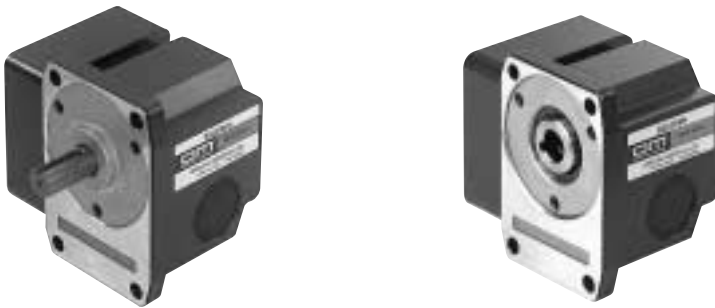


Motor Model	Capacitor Model	Dimensions in. (mm)			Weight (Mass) oz (g)	Dimension No.
		A	B	C		
4IK25GN-AW□U	CH65CFAUL	1.50 (38)	0.83 (21)	1.22 (31)	1.23 (35)	①
4IK25A-AW□U						
4IK25GN-CW□E	CH15BFAUL	1.50 (38)	0.83 (21)	1.22 (31)	1.23 (35)	①
4IK25A-CW□E						
4IK25GN-AUL	CH45UL	1.46 (37)	0.71 (18)	1.06 (27)	0.92 (26)	②
4IK25A-AULA						

If you need to order a capacitor without a motor, add "-C" to the capacitor model number shown. A capacitor cap is always included with a capacitor.

■ Right-Angle Gearheads

The right-angle gearhead provides an output shaft that is at a right angle to the motor's output shaft. See page [A-216] for specifications and other information.



■ Wiring Diagrams

The direction of motor rotation is as viewed from the shaft end of the motor.

Model Direction	Lead Wire Type		
	4IK25GN-AWU 4IK25GN-CWE	4IK25GN-SW	4IK25GN-AUL
CW			
CCW	To rotate the motor in a clockwise (CW) direction, flip switch SW to CW. To rotate it in a counterclockwise (CCW) direction, flip switch SW to CCW.	To change the rotation, change any two connections between U, V and W.	

Model Direction	Terminal Box Type		Conduit Box Type	
	4IK25GN-AWTU 4IK25GN-CWTE	4IK25GN-SWT	4IK25GN-FCH 4IK25GN-ECH	4IK25GN-SH
CW				
CCW	To rotate the motor in a clockwise (CW) direction, flip switch SW to CW. To rotate it in a counterclockwise (CCW) direction, flip switch SW to CCW.	To change the rotation, change any two connections between U, V and W.	To rotate the motor in a clockwise (CW) direction, flip switch SW to CW. To rotate it in a counterclockwise (CCW) direction, flip switch SW to CCW.	To change the rotation, change any two connections between U, V and W.

Change the direction of motor rotation only after bringing the motor to a stop.

If an attempt is made to change the direction of rotation while the motor is rotating, the motor may ignore the reversing command or change its direction of rotation after some delay.

■ Accessories

● Motor Mounting Brackets

Optional die-cast aluminum mounting brackets are available. They can be used to install motors with or without gearheads. See page [A-266] for the dimensions.

Model name **SOL4U10**



● Flexible Coupling

Optional clamping couplings are available. See page [A-260] for the dimensions.





INDUCTION MOTORS

Single-Phase, Three-Phase

40w (1/18.5 HP)

Frame Size 3.54 in.sq.(90mm sq.)



Specifications — Continuous Rating



Model			Output Power	Voltage	Frequency	Current	Starting Torque	Rated Torque	Rated Speed	Capacitor			
Upper Model Name:Pinion Shaft Type	Lower Model Name():Round Shaft Type												
Lead Wire Type	Terminal Box Type	Conduit Box Type	HP	W	V	Hz	A	oz-in	mN·m	oz-in	mN·m	r/min	μF
Dimension ①	Dimension ②	Dimension ③											
51K40GN-AWU	51K40GN-AWTU	51K40GN-FCH											
(51K40A-AWU)	(51K40A-AWTU)	(51K40AA-FCH)											
			Single-Phase 110	60	60	0.68	27.8	200	36.1	260	1500	9	
			Single-Phase 115	60	60	0.67	27.8	200	36.1	260	1500	9	
51K40GN-CWE	51K40GN-CWTE	51K40GN-ECH											
(51K40A-CWE)	(51K40A-CWTE)	(51K40AA-ECH)											
			Single-Phase 220	60	60	0.35	27.8	200	36.1	260	1500	2.3	
			Single-Phase 230	50	60	0.39	27.8	200	36.1	260	1300	2.3	
			Single-Phase 230	60	60	0.34	27.8	200	36.1	260	1500	2.3	
51K40GN-SW	51K40GN-SWT	51K40GN-SH											
(51K40A-SW)	(51K40A-SWT)	(51K40AA-SH)											
			1/18.5 40 Three-Phase 200	50	60	0.32	55.5	400	41.7	300	1300	—	
			Three-Phase 200	60	60	0.3	36.1	260	36.1	260	1550	—	
			Three-Phase 220	60	60	0.3	36.1	260	36.1	260	1600	—	
			Three-Phase 230	60	60	0.31	36.1	260	36.1	260	1600	—	
51K40GN-AUL	—	—											
(51K40A-AULA)	—	—											
			Single-Phase 115	60	60	0.75	27.8	200	36.1	260	1550	8	

- The product contains a built-in thermal protector. When a motor overheats for any reason, the thermal protector is opened and the motor stops. When the motor temperature drops, the thermal protector closes and the motor restarts. Be sure to turn the motor off before inspecting.
- The "U" and "E" at the end of the model name indicate that the unit includes a capacitor. These two letters are not listed on the motor nameplate. When the motor is approved under various safety standards, the nameplate is adopted.
- The conduit box type of the motors are not VDE approved.

Gearmotor — Torque Table

The maximum permissible torque with a decimal gearhead with a gear ratio of 10 is 87 lb-in (10N-m).

- Right-Angle gearhead may be connected. See page [A-216] for more information on the right-angle gearheads.

Single-Phase 115V/230V, Three-Phase 230V 60Hz

Unit = Upper values: lb-in / Lower values: N-m

Model	Speed r/min	Gear Ratio																				
		500	416	300	250	200	166	120	100	83	60	50	41	30	25	20	16	15	12.5	10	8.3	
51K40GN-AWU 51K40GN-AWTU 51K40GN-CWE 51K40GN-CWTE 51K40GN-SW 51K40GN-SWT 51K40GN-FCH 51K40GN-ECH 51K40GN-SH 51K40GN-AUL	5GN□KA	3	3.6	5	6	7.5	9	12.5	15	18	25	30	36	50	60	75	90	100	120	150	180	
		5.5	6.6	9.1	11	14	16	23	27	33	41	49	59	74	87	87	87	87	87	87	87	87
		0.63	0.76	1.1	1.3	1.6	1.9	2.6	3.2	3.8	4.7	5.7	6.8	8.6	10	10	10	10	10	10	10	10

Single-Phase 230V/50Hz

Unit = Upper values: lb-in / Lower values: N-m

Model	Speed r/min	Gear Ratio																			
		500	416	300	250	200	166	120	100	83	60	50	41	30	25	20	16	15	12.5	10	8.3
51K40GN-CWE 51K40GN-CWTE 51K40GN-ECH	5GN□KA	6.3	7.6	11	13	16	19	26	32	38	48	57	68	86	87	87	87	87	87	87	87
		0.73	0.87	1.2	1.5	1.8	2.2	3.0	3.6	4.4	5.5	6.6	7.9	9.9	10	10	10	10	10	10	10

- Gearheads are sold separately.
- Enter the gear ratio in the box (□) within the model number. A colored background indicates gear shaft rotation in the same direction as the motor shaft; a white background indicates rotation in the opposite direction.
- The speed is calculated by dividing the motor's synchronous speed (50 Hz: 1500r/min, 60 Hz: 1800 r/min) by the gear ratio. The actual speed is 2 ~ 20% less than the displayed value, depending on the size of the load.

■ Dimensions Scale 1/4, Unit = inch (mm)

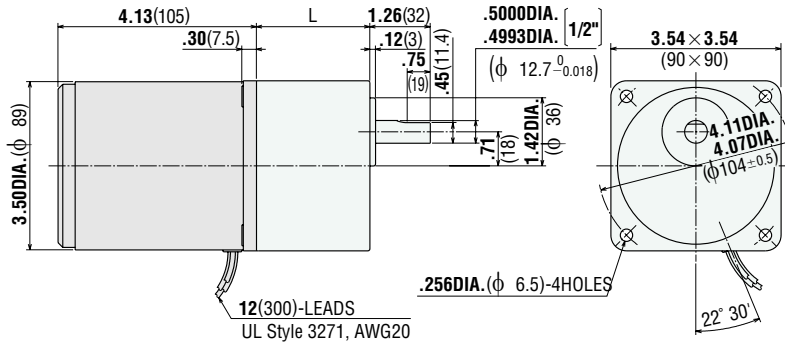
① Motor/Gearhead

51K40GN-AWU
51K40GN-CWE
51K40GN-SW
51K40GN-AUL

Weight (Mass): 5.5 lb.(2.5 kg)

5GN□KA

Weight (Mass): 3.3 lb.(1.5 kg)

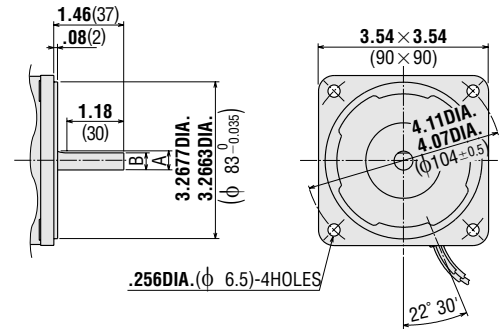


L=1.65 (42) **5GN3KA~18KA**
 L=2.36 (60) **5GN25KA~180KA**

51K40A-AWU Round Shaft Type

51K40A-CWE
51K40A-SW
51K40A-AULA

Weight (Mass): 5.5 lb.(2.5 kg)



Unit = inch (mm)

Model	Shaft Diameter A	B
51K40A-AWU	.3937DIA. ($\phi 10_{-0.015}$)	.35(9)
51K40A-CWE	.3931DIA.	
51K40A-SW		
51K40A-AULA	.3750DIA. [3/8"] ($\phi 9.525_{-0.011}$)	.35(8.825)
	.3744DIA.	

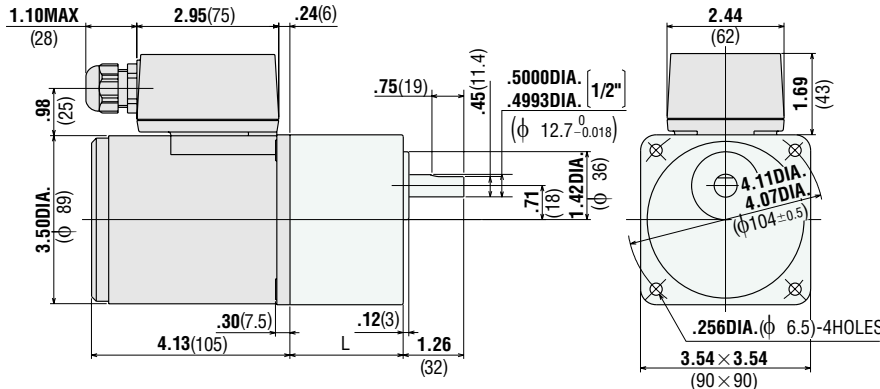
② Motor/Gearhead

51K40GN-AWTU
51K40GN-CWTE
51K40GN-SWT

Weight (Mass): 5.7 lb.(2.6 kg)

5GN□KA

Weight (Mass): 3.3 lb.(1.5 kg)



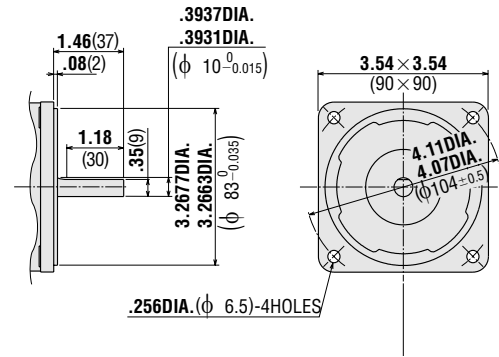
L=1.65 (42) **5GN3KA~18KA**
 L=2.36 (60) **5GN25KA~180KA**

Use cabtyre cable with the diameter of
 .24DIA. ($\phi 6$)~.47DIA. ($\phi 12$).

51K40A-AWTU Round Shaft Type

51K40A-CWTE
51K40A-SWT

Weight (Mass): 5.7 lb.(2.6 kg)



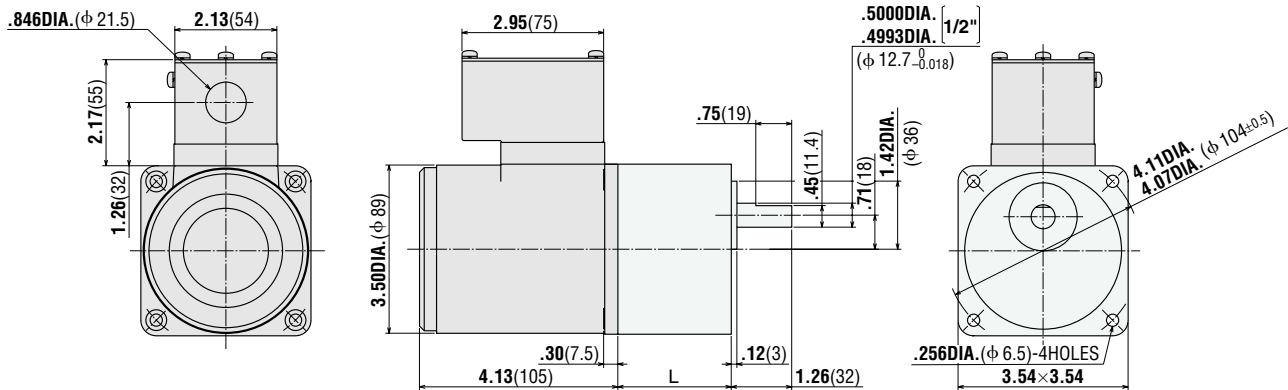
③ Motor/Gearhead

51K40GN-FCH
51K40GN-ECH

Weight (Mass): 6.0 lb.(2.7 kg)

5GN□KA

Weight (Mass): 3.3 lb.(1.5 kg)



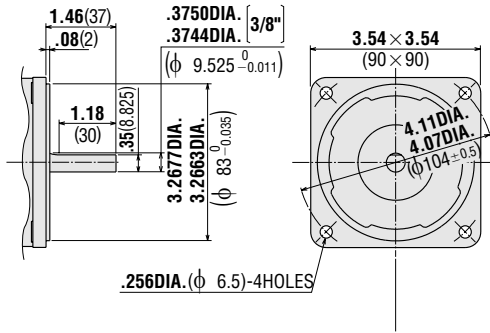
L=1.65 (42) **5GN3KA~18KA**
 L=2.36 (60) **5GN25KA~180KA**

MOTOR LEAD WIRE ×3 UL style 3266, AWG20
 GROUND LEAD WIRE ×1 UL style 3266, AWG18

5IK40AA-FCH Round Shaft Type

5IK40AA-ECH

Weight (Mass): 6.0 lb.(2.7 kg)

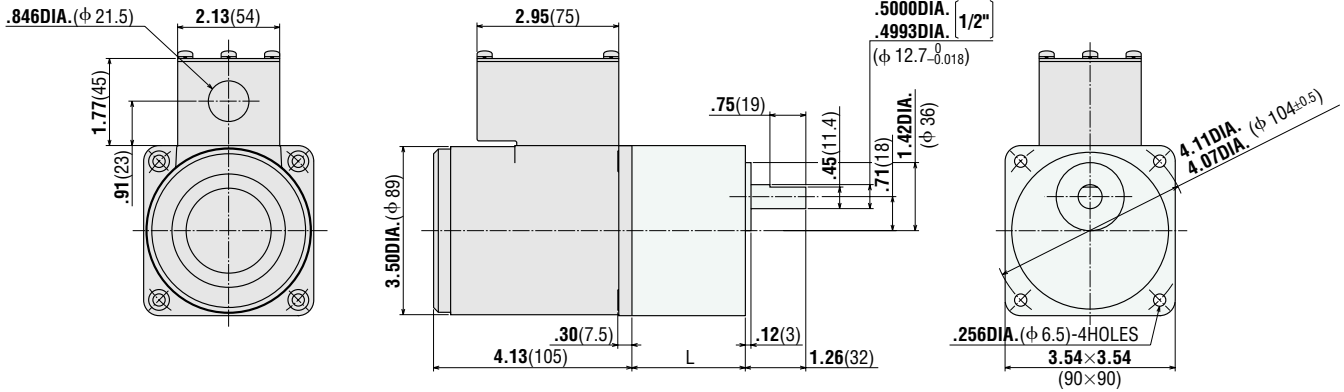


5IK40GN-SH

Weight (Mass): 5.5 lb.(2.5 kg)

5GN□KA

Weight (Mass): 3.31 lb.(1.5 kg)

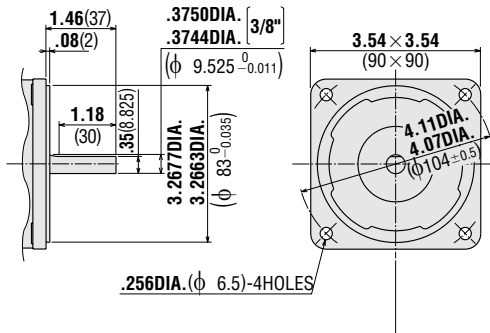


L=1.65 (42) **5GN3KA~18KA**
L=2.36 (60) **5GN25KA~180KA**

MOTOR LEAD WIRE ×3 UL style 3266, AWG20
GROUND LEAD WIRE ×1 UL style 3266, AWG18

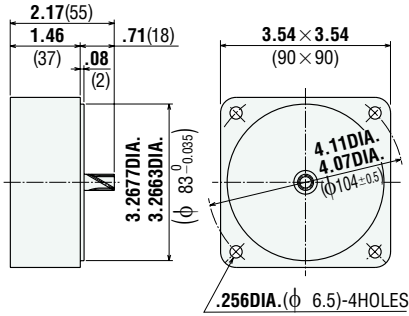
5IK40AA-SH Round Shaft Type

Weight (Mass): 5.5 lb.(2.5 kg)

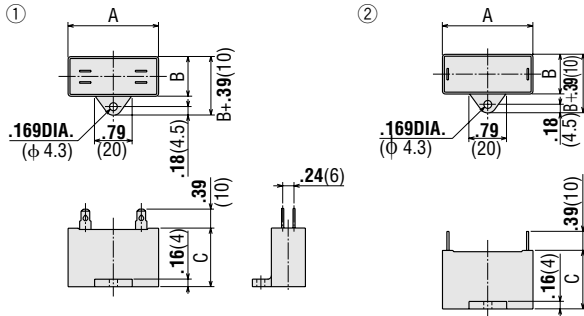


● Decimal Gearhead

5GN10XK Weight: 1.32 lb.(0.6 kg)



● Capacitor (included with the motor)

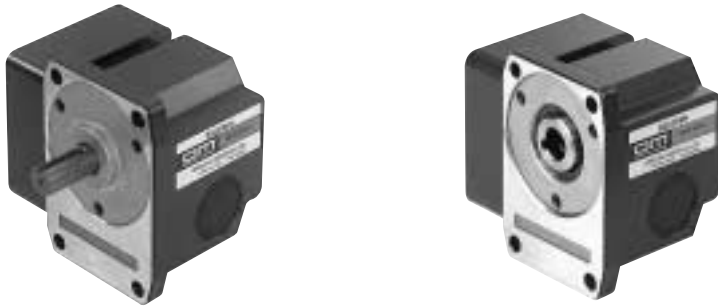


Motor Model	Capacitor Model	Dimensions in. (mm)			Weight (Mass) oz (g)	Dimension No.
		A	B	C		
5IK40GN-AW□U	CH90CFAUL	1.89	0.83	1.22	1.41 (40)	①
5IK40A-AW□U		(48)	(21)	(31)		
5IK40GN-CW□E	CH23BFAUL	1.89	0.83	1.22	1.41 (40)	①
5IK40A-CW□E		(48)	(21)	(31)		
5IK40GN-AUL	CH80UL	1.50	0.83	1.22	1.23 (35)	②
5IK40A-AULA		(38)	(21)	(31)		

If you need to order a capacitor without a motor, add "-C" to the capacitor model number shown. A capacitor cap is always included with a capacitor.

■ Right-Angle Gearheads

The right-angle gearhead provides an output shaft that is at a right angle to the motor's output shaft. See page [A-216] for specifications and other information.



■ Wiring Diagrams

The direction of motor rotation is as viewed from the shaft end of the motor.

Model Direction	Lead Wire Type		
	5IK40GN-AWU 5IK40GN-CWE	5IK40GN-SW	5IK40GN-AUL
CW			
CCW	To rotate the motor in a clockwise (CW) direction, flip switch SW to CW. To rotate it in a counterclockwise (CCW) direction, flip switch SW to CCW.	To change the rotation, change any two connections between U, V and W.	

Model Direction	Terminal Box Type		Conduit Box Type	
	5IK40GN-AWTU 5IK40GN-CWTE	5IK40GN-SWT	5IK40GN-FCH 5IK40GN-ECH	5IK40GN-SH
CW				
CCW	To rotate the motor in a clockwise (CW) direction, flip switch SW to CW. To rotate it in a counterclockwise (CCW) direction, flip switch SW to CCW.	To change the rotation, change any two connections between U, V and W.	To rotate the motor in a clockwise (CW) direction, flip switch SW to CW. To rotate it in a counterclockwise (CCW) direction, flip switch SW to CCW.	To change the rotation, change any two connections between U, V and W.

Change the direction of motor rotation only after bringing the motor to a stop.

If an attempt is made to change the direction of rotation while the motor is rotating, the motor may ignore the reversing command or change its direction of rotation after some delay.

■ Accessories

● Motor Mounting Brackets

Optional die-cast aluminum mounting brackets are available. They can be used to install motors with or without gearheads. See page [A-266] for the dimensions.

Model name **SOL5UA**



● Flexible Coupling

Optional clamping couplings are available. See page [A-260] for the dimensions.



INDUCTION MOTORS

Single-Phase, Three-Phase

60W (1/12.5 HP)

Frame Size 3.54 in.sq.(90mm sq.)



Specifications — Continuous Rating



Model			Output Power	Voltage	Frequency	Current	Starting Torque	Rated Torque	Rated Speed	Capacitor							
Upper Model Name:Pinion Shaft Type	Lower Model Name():Round Shaft Type																
Lead Wire Type Dimension ①	Terminal Box Type Dimension ②	Conduit Box Type Dimension ③	HP	W	V	Hz	A	oz-in	mN·m	oz-in	mN·m	r/min	μF				
UL VDE	5IK60GU-AWU (5IK60A-AWU)	5IK60GU-AWTU (5IK60A-AWTU)	5IK60GU-FCH (5IK60A-FCH)	110	115	60	1.09	44.4	320	56.2	405	1450	18				
						60	1.1										
UL VDE	5IK60GU-CWE (5IK60A-CWE)	5IK60GU-CWTE (5IK60A-CWTE)	5IK60GU-ECH (5IK60A-ECH)	220	230	60	0.54	44.4	320	56.2	405	1450	4				
						50	0.57							68	490	1200	
UL VDE	5IK60GU-SW (5IK60A-SW)	5IK60GU-SWT (5IK60A-SWT)	5IK60GU-SH (5IK60A-SH)	112.5	60	200	0.5	83.3	600	62.5	450	1300	—				
						200	0.43							500	52.8	380	1550
						220	0.45							500	52.8	380	1600
						230	0.46							500	52.8	380	1600
UL VDE	5IK60GU-AFUL (5IK60A-AFUL)	—	—	115	60	0.96	41.7	300	52.8	380	1550	12					

- The product contains a built-in thermal protector. When a motor overheats for any reason, the thermal protector is opened and the motor stops. When the motor temperature drops, the thermal protector closes and the motor restarts. Be sure to turn the motor off before inspecting.
- The "U" and "E" at the end of the model name indicate that the unit includes a capacitor. These two letters are not listed on the motor nameplate. When the motor is approved under various safety standards, the nameplate is adopted.
- The conduit box type of the motors are not VDE approved.

Gearmotor — Torque Table

The maximum permissible torque with a decimal gearhead with a gear ratio of 10 is 174 lb-in (20N·m).

- Right-Angle gearhead may be connected. See page [A-216] for more information on the right-angle gearheads.

Single-Phase 115V/230V, Three-Phase 230V 60Hz

Unit = Upper values: lb-in / Lower values: N·m

Model	Speed r/min Gear Ratio	600	500	360	300	240	200	144	120	100	72	60	50	36	30	24	20	18	15	12	10
		3	3.6	5	6	7.5	9	12.5	15	18	25	30	36	50	60	75	90	100	120	150	180
5IK60GU-AWU 5IK60GU-AWTU 5IK60GU-CWE 5IK60GU-CWTE 5IK60GU-FCH 5IK60GU-ECH	5GU□KA	8.5	10	14	17	21	26	32	38	46	58	70	83	116	139	155	174	174	174	174	174
		0.98	1.2	1.6	2.0	2.5	3.0	3.7	4.4	5.3	6.7	8.0	9.6	13	16	18	20	20	20	20	20
		8	9.6	13	16	20	24	30	36	43	54	65	78	109	131	146	174	174	174	174	174
		0.92	1.1	1.5	1.8	2.3	2.8	3.5	4.2	5	6.3	7.5	9	13	15	17	20	20	20	20	20
		5IK60GU-SW 5IK60GU-SWT 5IK60GU-SH 5IK60GU-AFUL	5GU□KA	8	9.6	13	16	20	24	30	36	43	54	65	78	109	131	146	174	174	174
		0.92	1.1	1.5	1.8	2.3	2.8	3.5	4.2	5	6.3	7.5	9	13	15	17	20	20	20	20	

Single-Phase 230V/50Hz

Unit = Upper values: lb-in / Lower values: N·m

Model	Speed r/min Gear Ratio	500	416	300	250	200	166	120	100	83	60	50	41	30	25	20	16	15	12.5	10	8.3
		3	3.6	5	6	7.5	9	12.5	15	18	25	30	36	50	60	75	90	100	120	150	180
5IK60GU-CWE 5IK60GU-CWTE 5IK60GU-ECH	5GU□KA	10	12	17	21	26	31	39	47	56	70	84	101	140	168	174	174	174	174	174	174
		1.2	1.4	2.0	2.4	3.0	3.6	4.5	5.4	6.4	8.1	9.7	12	16	19	20	20	20	20	20	20

- Gearheads are sold separately.
- Enter the gear ratio in the box (□) within the model number. A colored background indicates gear shaft rotation in the same direction as the motor shaft; a white background indicates rotation in the opposite direction.
- The speed is calculated by dividing the motor's synchronous speed (50 Hz: 1500r/min, 60 Hz: 1800 r/min) by the gear ratio. The actual speed is 2 ~ 20% less than the displayed value, depending on the size of the load.

■ Dimensions Scale 1/4, Unit = inch (mm)

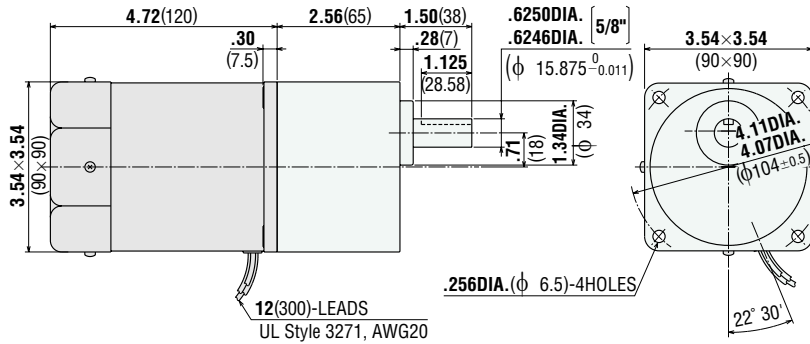
① Motor/Gearhead

5IK60GU-AWU
5IK60GU-CWE
5IK60GU-SW
5IK60GU-AFUL

Weight (Mass): 6.0 lb.(2.7 kg)

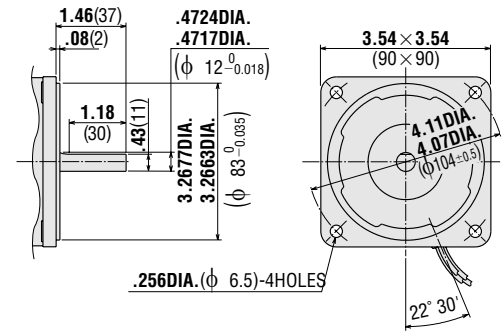
5GU□KA

Weight (Mass): 3.3 lb.(1.5 kg)



5IK60A-AWU Round Shaft Type
5IK60A-CWE
5IK60A-SW
5IK60A-AFUL

Weight (Mass): 6.0 lb.(2.7 kg)



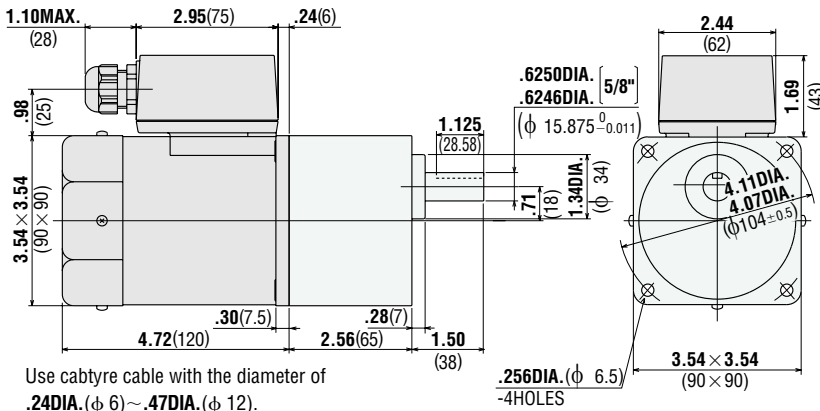
② Motor/Gearhead

5IK60GU-AWTU
5IK60GU-CWTE
5IK60GU-SWT

Weight (Mass): 6.2 lb.(2.8 kg)

5GU□KA

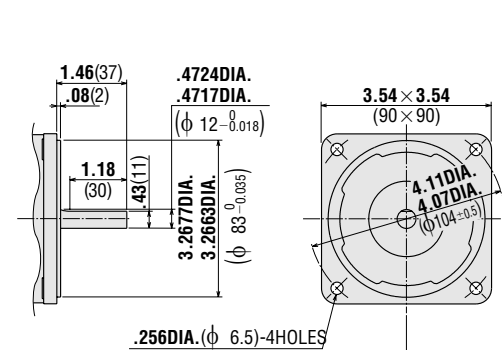
Weight (Mass): 3.3 lb.(1.5 kg)



Use cabtyre cable with the diameter of
 .24DIA. (φ 6) ~ .47DIA. (φ 12).

5IK60A-AWTU Round Shaft Type
5IK60A-CWTE
5IK60A-SWT

Weight (Mass): 6.2 lb.(2.8 kg)



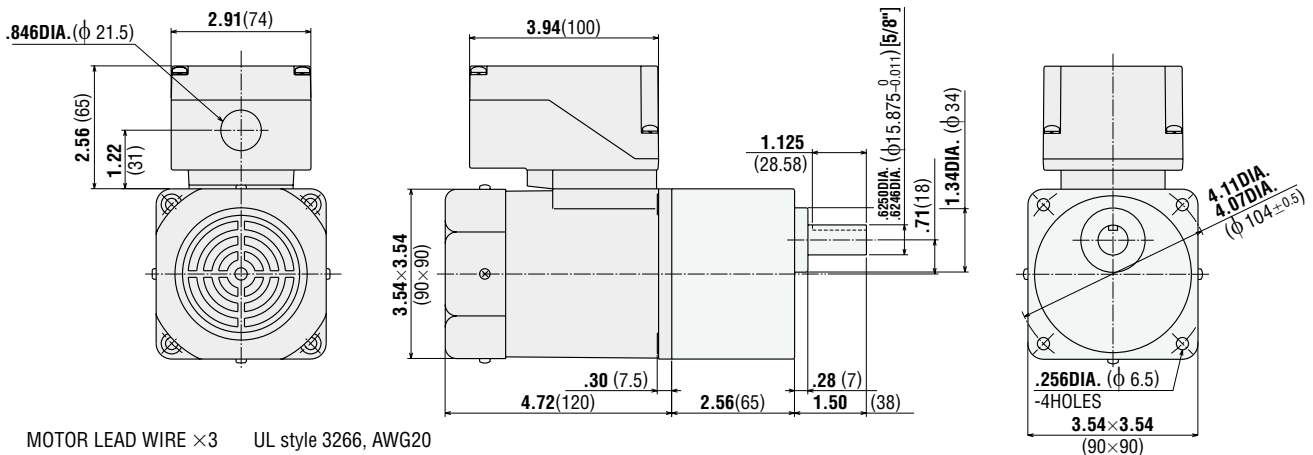
③ Motor/Gearhead

5IK60GU-FCH
5IK60GU-ECH

Weight (Mass): 7.1 lb.(3.2 kg)

5GU□KA

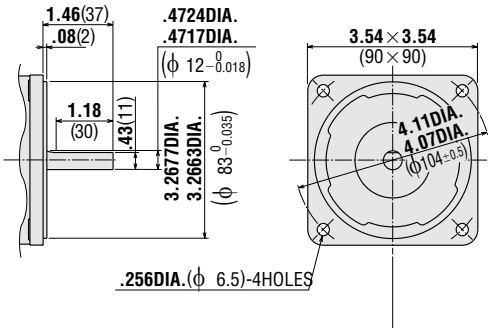
Weight (Mass): 3.3 lb.(1.5 kg)



MOTOR LEAD WIRE ×3 UL style 3266, AWG20
 GROUND LEAD WIRE ×1 UL style 3266, AWG18

5IK60A-FCH
5IK60A-ECH

Weight (Mass): 7.1 lb.(3.2 kg)

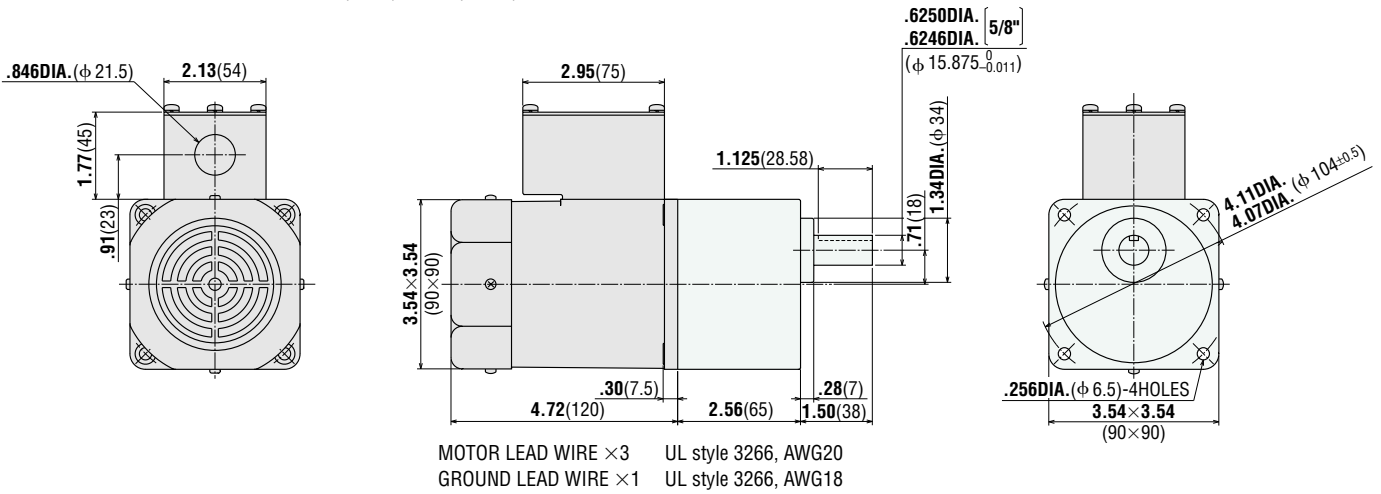


5IK60GU-SH

Weight (Mass): 6.2 lb.(2.8 kg)

5GU□KA

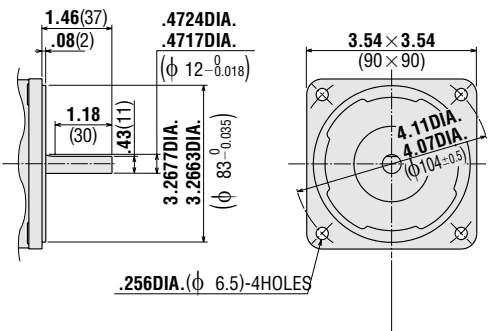
Weight (Mass): 3.3 lb.(1.5 kg)



5IK60A-SH

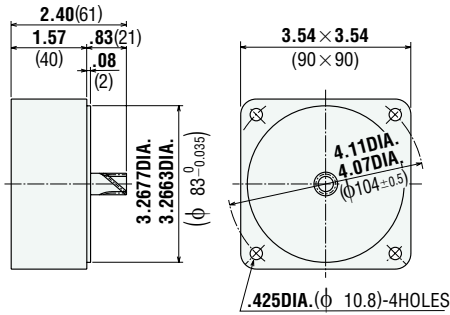
Round Shaft Type

Weight (Mass): 6.2 lb.(2.8 kg)

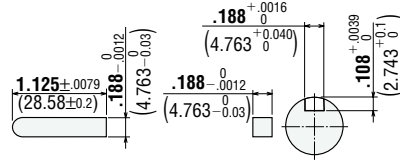


Decimal Gearhead

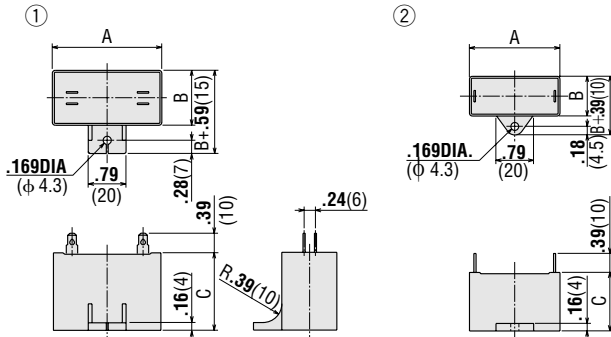
5GU10XKB Weight (Mass): 1.32 lb.(0.6 kg)



•Key and Key Slot Scale 1/2
(The key is provided with the gearhead)



Capacitor (included with the motor)

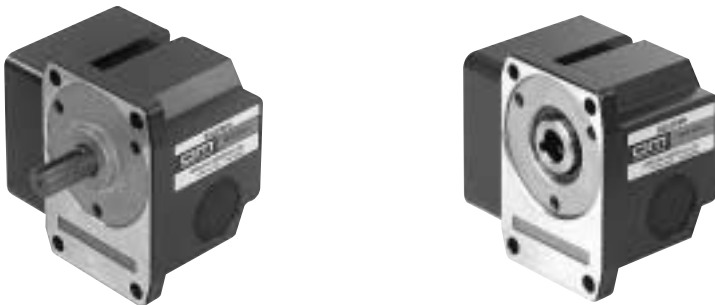


Motor Model	Capacitor Model	Dimensions in. (mm)			Weight oz (g)	Dimension No.
		A	B	C		
5IK60GU-AW □U	CH180CFAUL	2.28	0.93	1.46	2.47 (70)	①
5IK60A-AW □U		(58)	(23.5)	(37)		
5IK60GU-CW □E	CH40BFAUL	2.28	0.93	1.46	2.47 (70)	①
5IK60A-CW □E		(58)	(23.5)	(37)		
5IK60GU-AFUL	CH120CUL	2.28	0.83	1.22	1.76 (50)	②
5IK60A-AFUL		(58)	(21)	(31)		

If you need to order a capacitor without a motor, add "-C" to the capacitor model number shown. A capacitor cap is always included with a capacitor.

Right-Angle Gearheads

The right-angle gearhead provides an output shaft that is at a right angle to the motor's output shaft. See page [A-216] for specifications and other information.



■ Wiring Diagrams

The direction of motor rotation is as viewed from the shaft end of the motor.

Model Direction	Lead Wire Type		
	5IK60GU-AWU 5IK60GU-CWE	5IK60GU-SW	5IK60GU-AFUL
CW			
CCW	To rotate the motor in a clockwise (CW) direction, flip switch SW to CW. To rotate it in a counterclockwise (CCW) direction, flip switch SW to CCW.	To change the rotation, change any two connections between U, V and W.	

Model Direction	Terminal Box Type		Conduit Box Type	
	5IK60GU-AWTU 5IK60GU-CWTE	5IK60GU-SWT	5IK60GU-FCH 5IK60GU-ECH	5IK60GU-SH
CW				
CCW	To rotate the motor in a clockwise (CW) direction, flip switch SW to CW. To rotate it in a counterclockwise (CCW) direction, flip switch SW to CCW.	To change the rotation, change any two connections between U, V and W.	To rotate the motor in a clockwise (CW) direction, flip switch SW to CW. To rotate it in a counterclockwise (CCW) direction, flip switch SW to CCW.	To change the rotation, change any two connections between U, V and W.

Change the direction of motor rotation only after bringing the motor to a stop.

If an attempt is made to change the direction of rotation while the motor is rotating, the motor may ignore the reversing command or change its direction of rotation after some delay.

■ Accessories

● Motor Mounting Brackets

Optional die-cast aluminum mounting brackets are available. They can be used to install motors with or without gearheads. See page [A-266] for the dimensions.

Model name **SOLSUA**



● Flexible Coupling

Optional clamping couplings are available. See page [A-260] for the dimensions.





INDUCTION MOTORS

Single-Phase, Three-Phase

90W (1/8 HP)

Frame Size 3.54 in.sq.(90mm sq.)



Specifications — Continuous Rating



Model Upper Model Name:Pinion Shaft Type Lower Model Name():Round Shaft Type			Output Power	Voltage	Frequency	Current	Starting Torque	Rated Torque	Rated Speed	Capacitor		
Lead Wire Type Dimension ①	Terminal Box Type Dimension ②	Conduit Box Type Dimension ③	HP	W	V	Hz	A	oz-in mN·m	oz-in mN·m	r/min	μF	
51K90GU-AWU (51K90A-AWU)	51K90GU-AWTU (51K90A-AWTU)	51K90GU-FCH (51K90A-FCH)	Single Phase 110		60	1.45	62.5	450	81.2	585	1500	20
			Single Phase 115		60	1.44						
51K90GU-CWE (51K90A-CWE)	51K90GU-CWTE (51K90A-CWTE)	51K90GU-ECH (51K90A-ECH)	Single Phase 220		60	0.82	62.5	450	84	605	1450	6
			Single Phase 230		50	0.76	62.5	450	101.4	730	1200	
Single Phase 230		60	0.81	62.5	450	84	605	1450				
Single Phase 230		60	0.61	97.2	700	79.2	570	1600				
51K90GU-SW (51K90A-SW)	51K90GU-SWT (51K90A-SWT)	51K90GU-SH (51K90A-SH)	Three Phase 200		50	0.64	118	850	94.4	680	1300	—
			Three Phase 200		60	0.59	97.2	700	79.2	570	1550	
			Three Phase 220		60	0.6	97.2	700	79.2	570	1600	
			Three Phase 230		60	0.61	97.2	700	79.2	570	1600	
51K90GU-AFUL (51K90A-AFUL)	—	—	Single Phase 115		60	1.5	62.5	450	79.2	570	1550	20

- The product contains a built-in thermal protector. When a motor overheats for any reason, the thermal protector is opened and the motor stops. When the motor temperature drops, the thermal protector closes and the motor restarts. Be sure to turn the motor off before inspecting.
- The "U" and "E" at the end of the model name indicate that the unit includes a capacitor. These two letters are not listed on the motor nameplate. When the motor is approved under various safety standards, the nameplate is adopted.
- The conduit box type of the motors are not VDE approved.

Gearmotor — Torque Table

The maximum permissible torque with a decimal gearhead with a gear ratio of 10 is 174 lb-in (20N·m).

Right-Angle gearhead may be connected. See page [A-216] for more information on the right-angle gearheads.

Single-Phase 115V/230V, Three-Phase 230V 60Hz

Unit = Upper values: lb-in / Lower values: N·m

Model	Speed r/min Gear Ratio	600	500	360	300	240	200	144	120	100	72	60	50	36	30	24	20	18	15	12	10
		3	3.6	5	6	7.5	9	12.5	15	18	25	30	36	50	60	75	90	100	120	150	180
51K90GU-AWU 51K90GU-AWTU / 5GU□KA 51K90GU-FCH	12	15	21	25	31	37	46	56	67	84	100	121	167	174	174	174	174	174	174	174	174
	1.4	1.7	2.4	2.8	3.6	4.3	5.3	6.4	7.7	9.7	12	14	19	20	20	20	20	20	20	20	20
51K90GU-CWE 51K90GU-CWTE / 5GU□KA 51K90GU-ECH	13	15	21	26	32	38	48	57	69	87	104	125	173	174	174	174	174	174	174	174	174
	1.5	1.8	2.5	2.9	3.7	4.4	5.5	6.6	7.9	10	12	14	20	20	20	20	20	20	20	20	20
51K90GU-SW 51K90GU-SWT / 5GU□KA 51K90GU-SH 51K90GU-AFUL	12	14	20	24	30	36	45	54	65	82	98	118	163	174	174	174	174	174	174	174	174
	1.4	1.7	2.3	2.8	3.5	4.2	5.2	6.2	7.5	9.4	11	14	19	20	20	20	20	20	20	20	20

Single-Phase 230V/50Hz

Unit = Upper values : lb-in / Lower values : N·m

Model	Speed r/min Gear Ratio	500	416	300	250	200	166	120	100	83	60	50	41	30	25	20	16	15	12.5	10	8.3
		3	3.6	5	6	7.5	9	12.5	15	18	25	30	36	50	60	75	90	100	120	150	180
51K90GU-CWE 51K90GU-CWTE / 5GU□KA 51K90GU-ECH	15	18	26	31	39	46	58	69	83	105	125	151	174	174	174	174	174	174	174	174	174
	1.8	2.1	3.0	3.5	4.4	5.3	6.7	8.0	9.6	12	14	17	20	20	20	20	20	20	20	20	20

- Gearheads are sold separately.
- Enter the gear ratio in the box (□) within the model number. A colored background indicates gear shaft rotation in the same direction as the motor shaft; a white background indicates rotation in the opposite direction.
- The speed is calculated by dividing the motor's synchronous speed (50 Hz: 1500r/min, 60 Hz: 1800 r/min) by the gear ratio. The actual speed is 2 ~ 20% less than the displayed value, depending on the size of the load.

■ Dimensions Scale 1/4, Unit = inch (mm)

① Motor/Gearhead

51K90GU-AWU
51K90GU-CWE
51K90GU-SW
51K90GU-AFUL

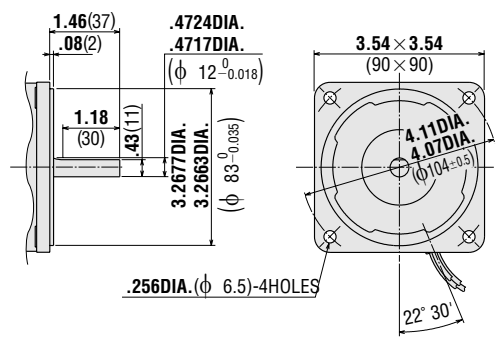
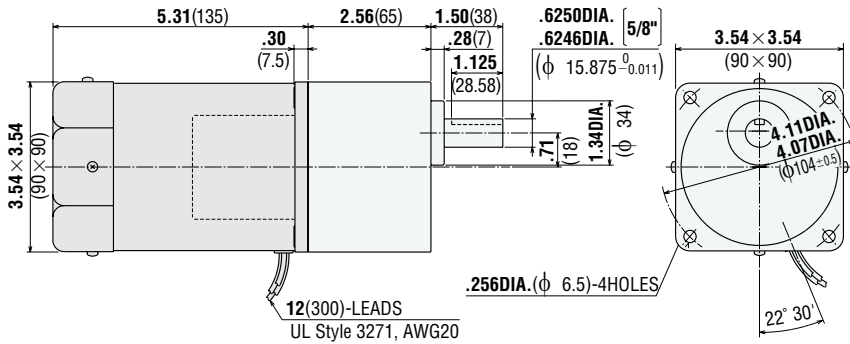
Weight (Mass): 7.1 lb.(3.2 kg)

5GU□KA

Weight (Mass): 3.3 lb.(1.5 kg)

51K90A-AWU
51K90A-CWE
51K90A-SW
51K90A-AFUL

Weight (Mass): 7.1 lb.(3.2 kg)



② Motor/Gearhead

51K90GU-AWTU
51K90GU-CWTE
51K90GU-SWT

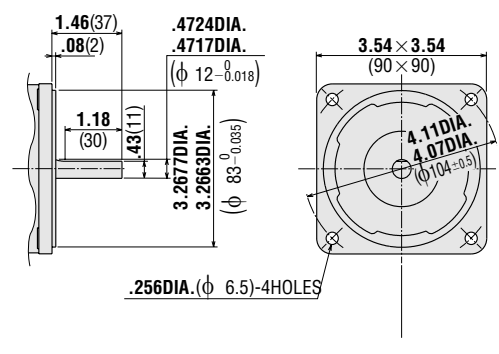
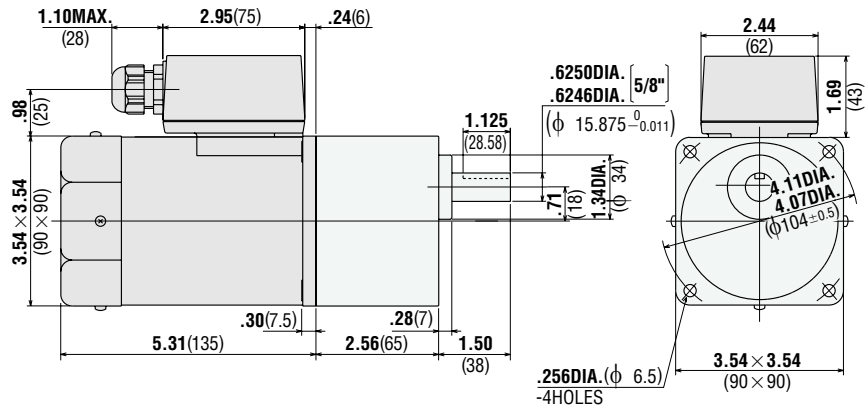
Weight (Mass): 7.3 lb.(3.3 kg)

5GU□KA

Weight (Mass): 3.3 lb.(1.5 kg)

51K90A-AWTU
51K90A-CWTE
51K90A-SWT

Weight (Mass): 7.3 lb.(3.3 kg)



Use catbytre cable with the diameter of .24DIA.(φ 6)~.47DIA.(φ 12).

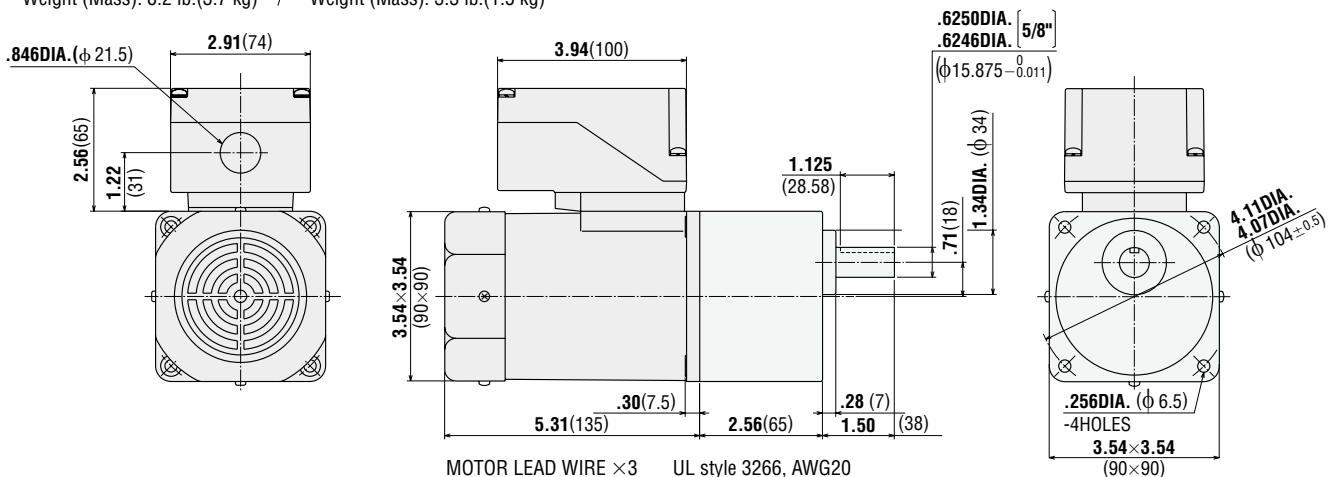
③ Motor/Gearhead

51K90GU-FCH
51K90GU-ECH

Weight (Mass): 8.2 lb.(3.7 kg)

5GU□KA

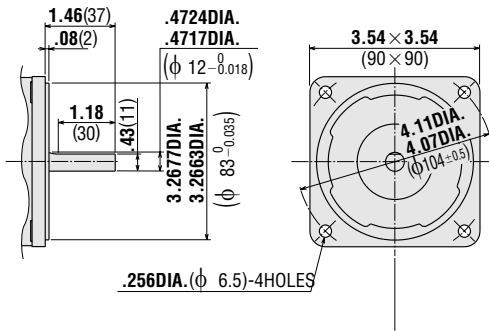
Weight (Mass): 3.3 lb.(1.5 kg)



MOTOR LEAD WIRE ×3 UL style 3266, AWG20
 GROUND LEAD WIRE ×1 UL style 3266, AWG18

5IK90A-FCH
5IK90A-ECH

Weight (Mass): 8.2 lb.(3.7 kg)

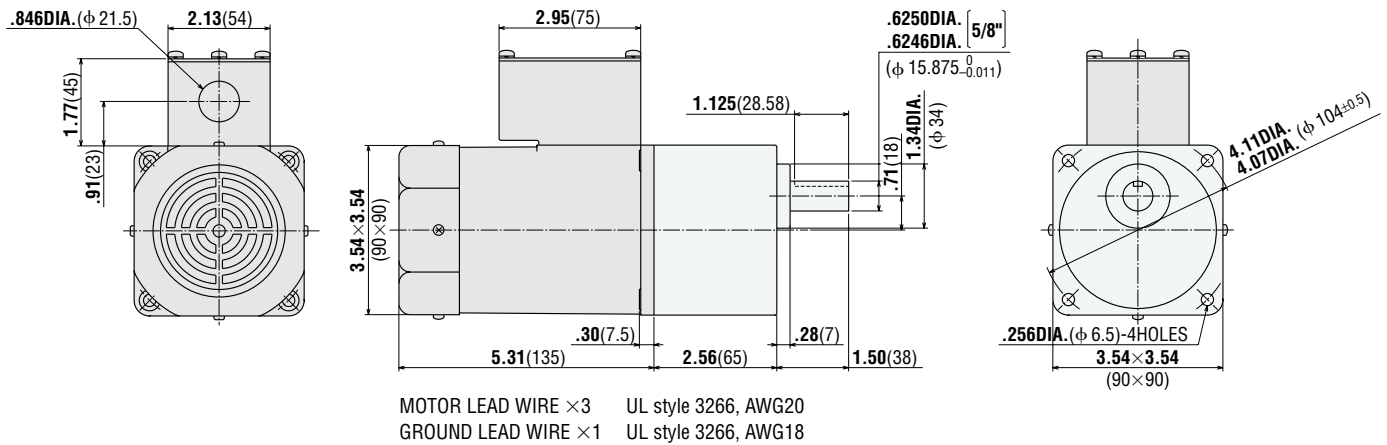


5IK90GU-SH

Weight (Mass): 7.3 lb.(3.3 kg)

5GU□KA

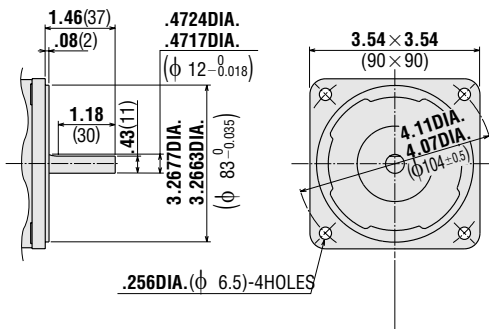
Weight (Mass): 3.3 lb.(1.5 kg)



5IK90A-SH

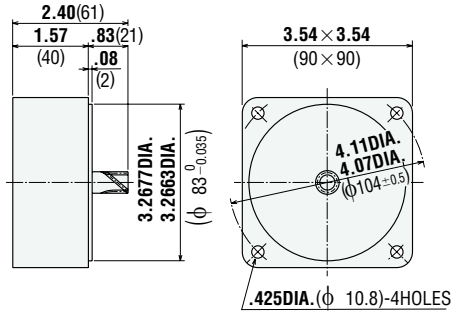
Round Shaft Type

Weight (Mass): 7.3 lb.(3.3 kg)

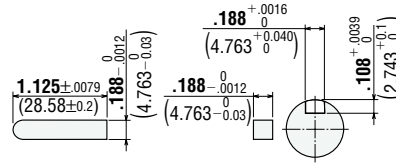


Decimal Gearhead

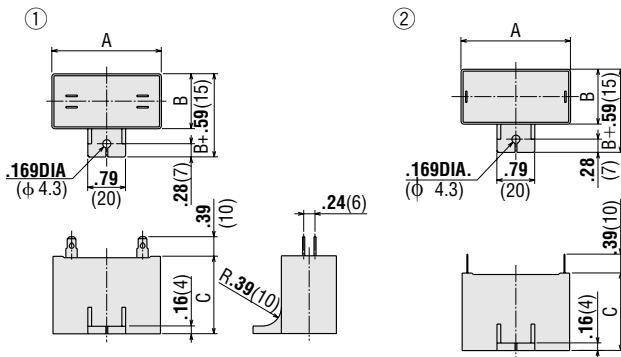
5GU10XKB Weight (Mass): 1.32 lb.(0.6 kg)



● **Key and Key Slot** Scale 1/2
(The key is provided with the gearhead)



Capacitor (included with the motor)

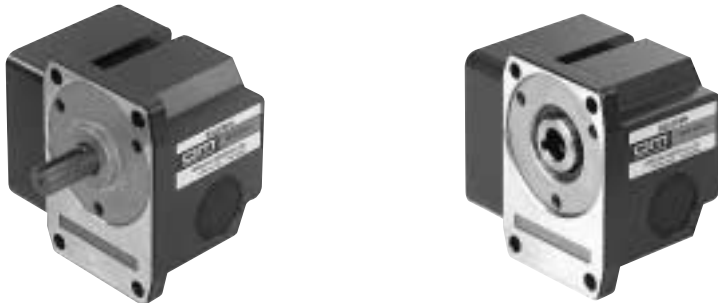


Motor Model	Capacitor Model	Dimensions in. (mm)			Weight oz (g)	Dimension No.
		A	B	C		
5IK90GU-AW □U	CH200CFAUL	2.28	1.14	1.61	3.35 (95)	①
5IK90A-AW □U		(58)	(29)	(41)		
5IK90GU-CW □E	CH60BFAUL	2.28	1.14	1.61	3.00 (85)	①
5IK90A-CW □E		(58)	(29)	(41)		
5IK90GU-AFUL	CH200UL	2.28	0.91	1.46	2.29 (65)	②
5IK90A-AFUL		(58)	(23.5)	(37)		

If you need to order a capacitor without a motor, add "-C" to the capacitor model number shown. A capacitor cap is always included with a capacitor.

Right-Angle Gearheads

The right-angle gearhead provides an output shaft that is at a right angle to the motor's output shaft. See page [A-216] for specifications and other information.



■ Wiring Diagrams

The direction of motor rotation is as viewed from the shaft end of the motor.

Model Direction	Lead Wire Type		
	5IK90GU-AWU 5IK90GU-CWE	5IK90GU-SW	5IK90GU-AFUL
CW			
CCW	To rotate the motor in a clockwise (CW) direction, flip switch SW to CW. To rotate it in a counterclockwise (CCW) direction, flip switch SW to CCW.	To change the rotation, change any two connections between U, V and W.	

Model Direction	Terminal Box Type		Conduit Box Type	
	5IK90GU-AWTU 5IK90GU-CWTE	5IK90GU-SWT	5IK90GU-FCH 5IK90GU-ECH	5IK90GU-SH
CW				
CCW	To rotate the motor in a clockwise (CW) direction, flip switch SW to CW. To rotate it in a counterclockwise (CCW) direction, flip switch SW to CCW.	To change the rotation, change any two connections between U, V and W.	To rotate the motor in a clockwise (CW) direction, flip switch SW to CW. To rotate it in a counterclockwise (CCW) direction, flip switch SW to CCW.	To change the rotation, change any two connections between U, V and W.

Change the direction of motor rotation only after bringing the motor to a stop.

If an attempt is made to change the direction of rotation while the motor is rotating, the motor may ignore the reversing command or change its direction of rotation after some delay.

■ Accessories

● Motor Mounting Brackets

Optional die-cast aluminum mounting brackets are available. They can be used to install motors with or without gearheads. See page [A-266] for the dimensions.

Model name **SOL5UA**



● Flexible Coupling

Optional clamping couplings are available. See page [A-260] for the dimensions.



INDUCTION MOTORS BH Series

Single-Phase, Three-Phase

200w (1/3.73 HP)



Frame Size 4.09 in.sq.(104mm sq.)



- **BH Series motors provide 200W output power and up to 347 lb-in (40 N·m) of torque in a compact 4.09"sq. mounting configuration.**
- **For easy installation, the BH Series motor and gearhead come pre-assembled. Motors and gearheads are also available separately so you can have them on hand to make changes or repairs.**

■ Specifications — Continuous Rating

Model		Output Power	Voltage	Frequency	Current	Starting Torque	Rated Torque	Rated Speed	Capacitor	
Upper Model Name:Pinion Shaft Type	Lower Model Name():Round Shaft Type									
Cable clamp Type Dimension ①	Terminal Box Type Dimension ②	HP	W	V	Hz	A	oz-in. mN·m	oz-in. mN·m	r/min.	μF
BHI62F-□ (BHI62F-A)	BHI62FT-□ (BHI62FT-A)	Single Phase 110		60	3	125	900	181 1300	1500	40
		Single Phase 115		60		139	1000	181 1300	1500	
—	BHI62ET-□ (BHI62ET-A)	Single Phase 220		60	1.5	139	1000	181 1300	1500	10
		Single Phase 230		50	1.5	139	1000	215 1550	1250	
—	BHI62ST-□ (BHI62ST-A)	Single Phase 230		60	1.5	139	1000	181 1300	1500	—
		Three Phase 200		50	1.1	215	1550	215 1550	1250	
		Three Phase 200		60	1.1	181	1300	181 1300	1500	
		Three Phase 220		60	0.95	174	1250	174 1250	1550	
Three Phase 230		60	0.95	167	1200	167 1200	1600			

- The product contains a built-in thermal protector. When a motor overheats for any reason, the thermal protector is opened and the motor stops. When the motor temperature drops, the thermal protector closes and the motor restarts. Be sure to turn the motor off before inspecting.
- Enter the gear ratio in the box (□) within the model number.

■ Gearmotor — Torque Table

● Single-Phase 115V/230V 60Hz, Three-Phase 230V 60Hz

Unit = Upper values: lb-in / Lower values: N·m

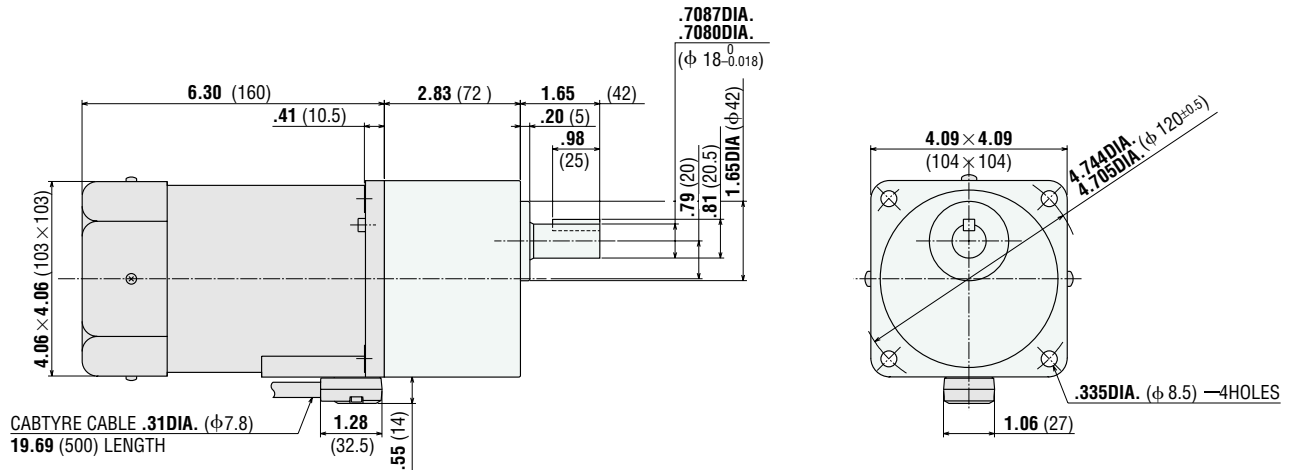
Model	Speed r/min	500	300	200	120	100	60	50	30	20	15	10
	Gear Ratio	3.6	6	9	15	18	30	36	60	90	120	180
BHI62F-□	33	55	82	124	149	248	297	347	347	347	347	347
	3.8	6.3	9.5	14	17	28	34	40	40	40	40	40
BHI62ET-□	3.0	51	76	114	137	229	274	347	347	347	347	347
	3.5	5.8	8.7	13	16	26	32	40	40	40	40	40

- Enter the gear ratio in the box within the model number.
- The speed is calculated by dividing the motor's synchronous speed (60Hz: 1800 r/min) by the gear ratio. The actual speed is 2 ~ 20% less than the displayed value, depending on the size of the load.

Dimensions Scale 1/4, Unit = inch (mm)

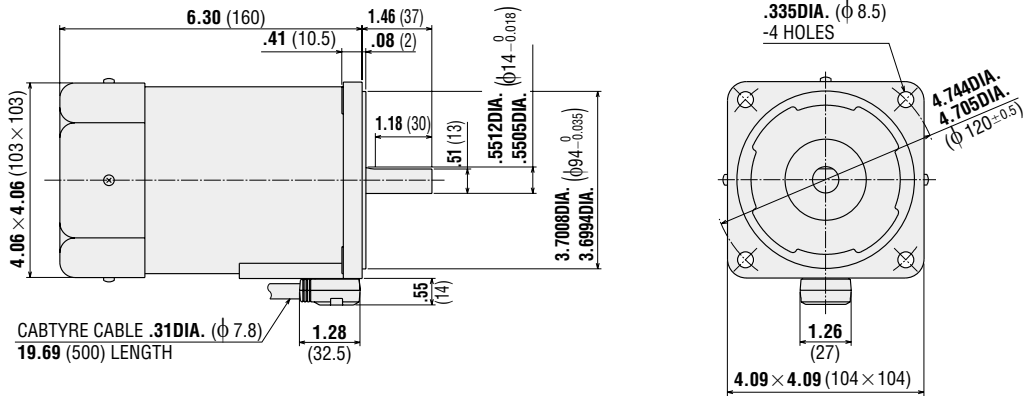
BHI62F-□

Weight (Mass): 18 lb.(8 kg)



BHI62F-A

Weight (Mass): 11 lb.(5 kg)

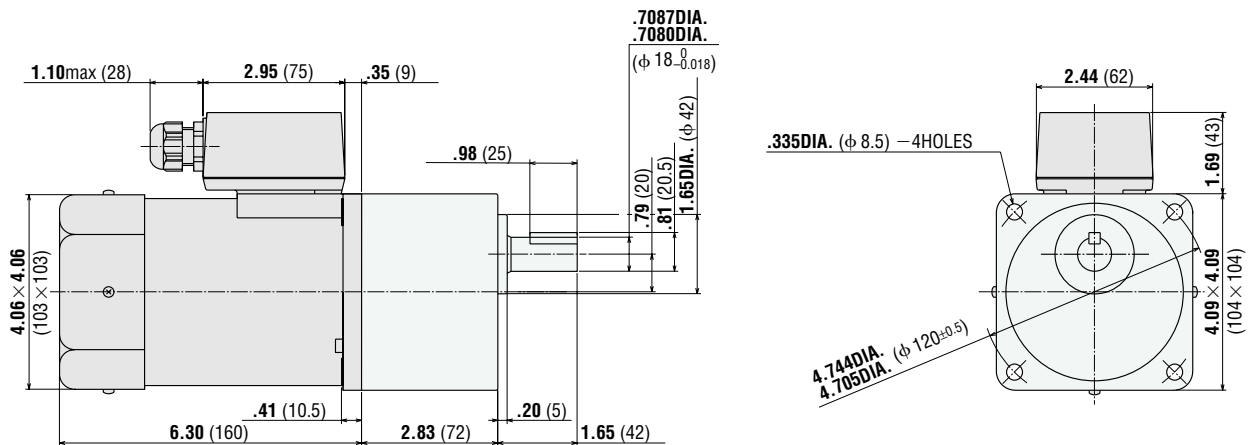


BHI62FT-□

BHI62ET-□

BHI62ST-□

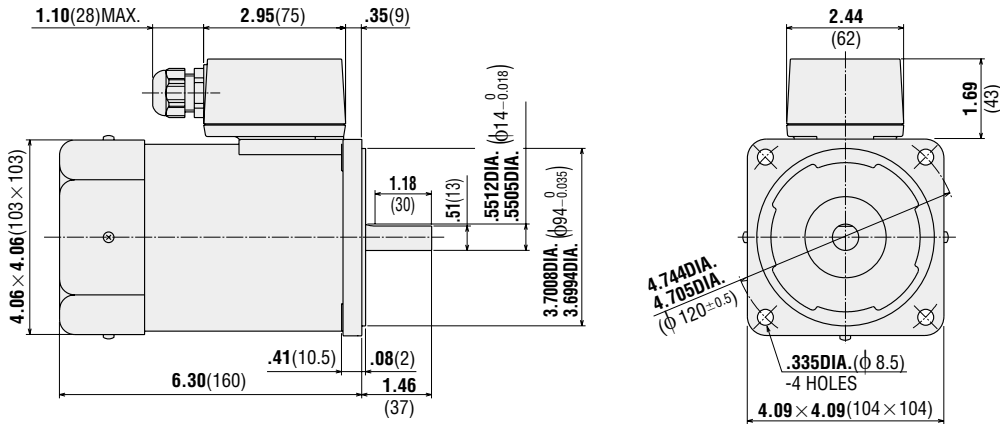
Weight (Mass): 18 lb.(8 kg)



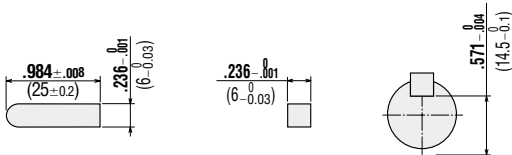
Use cabtyre cable with the diameter of .24DIA.(φ 6)~.47DIA.(φ 12).

BHI62FT-A
BHI62ET-A
BHI62ST-A

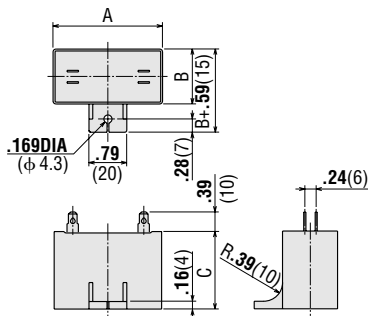
Weight (Mass): 11 lb.(5kg)



Use cabtyre cable with the diameter of .24DIA.(φ 6)~.47DIA.(φ 12).



● **Capacitor** (included with the motor)



Motor Model	Capacitor Model	Dimensions in. (mm)			Weight oz (g)
		A	B	C	
BHI62F-□	CH400CFAUL2	2.28	1.61	2.28	6.17 (175)
BHI62F-A		(58)	(41)	(58)	
BHI62FT-□					
BHI62FT-A	CH100BFAUL	2.28	1.38	1.97	4.66 (132)
BHI62ET-□		(58)	(35)	(50)	
BHI62ET-A					

Capacitor cap is provided with the capacitor.

■ Wiring Diagrams

The direction of motor rotation is as viewed from the shaft end of the motor.

Model	Cable Clamp Type		
	BHI62F-3.6~9 BHI62F-60~180	BHI62F-15~36	BHI62F-A
Direction			
CW			
CCW	To rotate the motor in a clockwise (CW) direction, flip switch SW to CW. To rotate it in a counterclockwise (CCW) direction, flip this switch to CCW.	To rotate the motor in a clockwise (CW) direction, flip switch SW to CW. To rotate it in a counterclockwise (CCW) direction, flip this switch to CCW.	To rotate the motor in a clockwise (CW) direction, flip switch SW to CW. To rotate it in a counterclockwise (CCW) direction, flip this switch to CCW.

Model	Terminal Box Type Single-Phase		
	BHI62FT-3.6~9 BHI62ET-3.6~9 BHI62FT-60~180 BHI62ET-60~180	BHI62FT-15~36 BHI62ET-15~36	BHI62FT-A BHI62ET-A
Direction			
CW			
CCW	To rotate the motor in a clockwise (CW) direction, flip switch SW to CW. To rotate it in a counterclockwise (CCW) direction, flip this switch to CCW.	To rotate the motor in a clockwise (CW) direction, flip switch SW to CW. To rotate it in a counterclockwise (CCW) direction, flip this switch to CCW.	To rotate the motor in a clockwise (CW) direction, flip switch SW to CW. To rotate it in a counterclockwise (CCW) direction, flip this switch to CCW.

Model	Terminal Box Type Three-Phase		
	BHI62ST-3.6~9 BHI62ST-60~180	BHI62ST-15~36	BHI62ST-A
Direction			
CW			
CCW	To change the rotation, change any two connections between U, V and W.	To change the rotation, change any two connections between U, V and W.	To change the rotation, change any two connections between U, V and W.

Change the direction of motor rotation only after bringing the motor to a stop.

If an attempt is made to change the direction of rotation while the motor is rotating, the motor may ignore the reversing command or change its direction of rotation after some delay.

■ Accessories

● Motor Mounting Brackets

Optional die-cast aluminum mounting brackets are available. They can be used to install motors with or without gearheads. See page [A-266] for the dimensions.

Model name **SOL6M8**



● Flexible Coupling

Optional clamping couplings are available. See page [A-260] for the dimensions.



INDUCTION MOTORS 2-Pole, High Speed Type

Single-Phase

40W (1/18.5 HP) • 60W (1/12.5 HP) • 90W (1/8 HP)

Frame Size 3.15 in.sq.(80mm sq.), 3.54 in.sq.(90mm sq.)

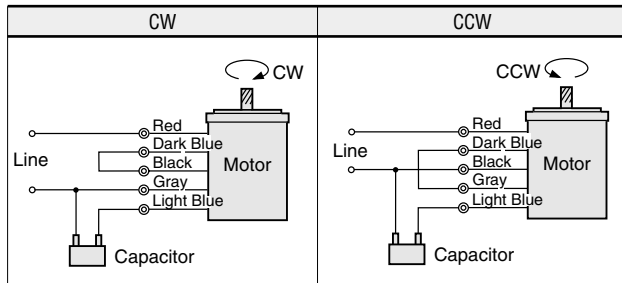


■ Specifications — Continuous Rating

Model	Output Power		Voltage	Frequency	Current	Starting Torque		Rated Torque		Rated Speed	Capacitor
	HP	W	V AC	Hz	A	oz-in	mN·m	oz-in	mN·m	r/min	μF
4IK40A-BA	1/18.5	40	115	60	0.8	13.2	95	18	130	3000	8.0
5IK60A-BA	1/12.5	60	115	60	1.2	16.7	120	25.7	185	3200	12.0
5IK90A-BFUL	1/8	90	115	60	2.0	30.6	220	38.9	280	3200	20.0

• The product contains a built-in thermal protector. When a motor overheats for any reason, the thermal protector is opened and the motor stops. When the motor temperature drops, the thermal protector closes and the motor restarts. Be sure to turn the motor off before inspecting.

■ Wiring Diagrams

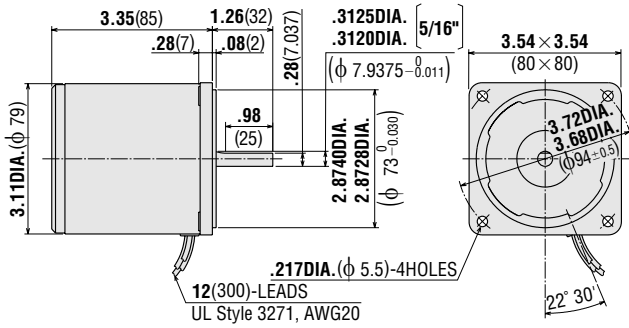


The direction of motor rotation is as viewed from the shaft end of the motor.

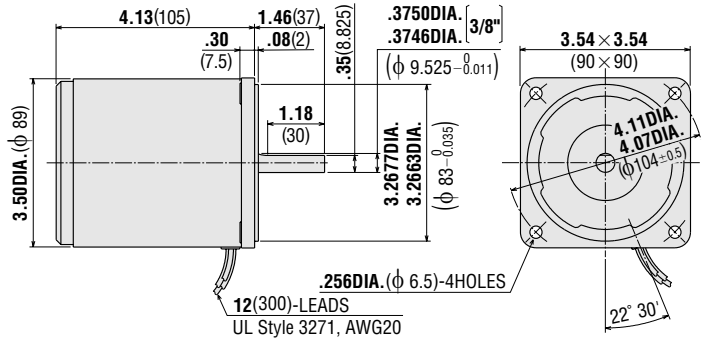
Change the direction of motor rotation only after bringing the motor to a stop. If an attempt is made to change the direction of rotation while the motor is rotating, the motor may ignore the reversing command or change its direction of rotation after some delay.

■ **Dimensions** Scale 1/4, Unit = inch (mm)

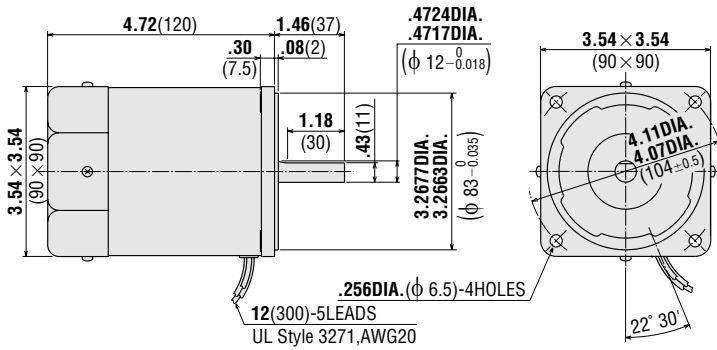
4IK40A-BA Weight (Mass): 3.3 lb.(1.5 kg)



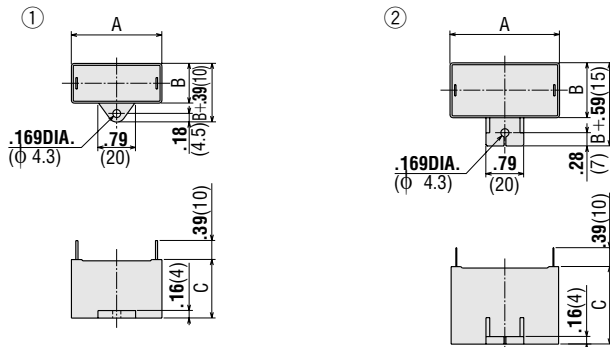
5IK60A-BA Weight (Mass): 5.5 lb.(2.5 kg)



5IK90A-BFUL Weight (Mass): 6.0 lb.(2.7 kg)



● **Capacitor** (included with the motor)



Motor Model	Capacitor Model	Dimensions inch (mm)			Weight oz (g)	Dimensions Number
		A	B	C		
4IK40A-BA	CH80UL	1.50	.83	1.22	1.2 (35)	①
		(38)	(21)	(31)		
5IK60A-BA	CH120UL	1.89	.83	1.22	1.6 (44)	①
		(48)	(21)	(31)		
5IK90A-BFUL	CH200UL	2.28	.91	1.46	2.3 (65)	②
		(58)	(23)	(37)		

Capacitor cap is provided with the capacitor.