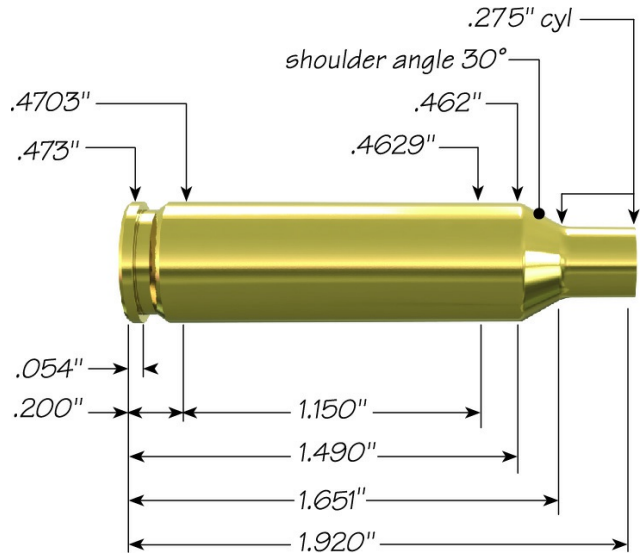



6mm Creedmoor with 75 gr 6mm HP



Max Case Length:	1.920"
Trim-to Length:	1.910"
Max Cart. OAL:	2.800"
RCBS Shell Holder:	# 3
Test Firearm:	Universal Receiver
Barrel Length:	24"



6mm	Speer Part No.	Weight, grains	COAL Tested	Ballistic Coefficient	Sectional Density
 75 gr 6mm HP	1205	75	2.550"	.192	.181

Propellant	Cartridge Case	Primer	START CHARGE		MAXIMUM CHARGE	
			Grain	Velocity (ft/sec)	Grain	Velocity (ft/sec)
Accurate 4350	Hornady	CCI 200	44.5	3270	45.9 C	3370
Alliant Power Pro 2000-MR	Hornady	CCI 200	40.7	3342	45.2	3632
Alliant Power Pro 4000-MR	Hornady	CCI 200	45.0	3303	48.5 C	3559
Alliant Reloder 16	Hornady	CCI 200	44.2	3361	45.3 C	3444
Alliant Reloder 17	Hornady	CCI 200	42.1	3297	46.7	3649
Hodgdon H4350	Hornady	CCI 200	43.4	3293	48.1 C	3572
IMR 4451	Hornady	CCI 200	42.7	3225	46.7 C	3501
Ramshot Hunter	Hornady	CCI 200	45.3	3319	50.3 C	3620

Vihtavuori N550	Hornady	CCI200	41.0	3293	45.6	3618
-----------------	---------	--------	------	------	-------------	------

Winchester 760	Hornady	CCI200	41.9	3292	46.5	3586
----------------	---------	--------	------	------	-------------	------

C = Compressed Load

speer-ammo.com