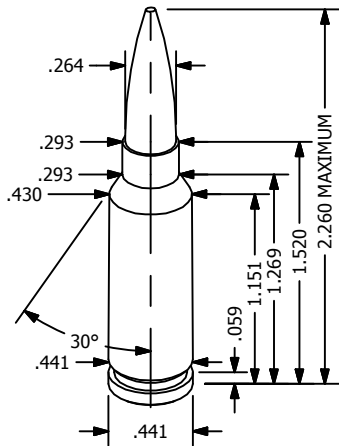


6.5 Grendel



Test Specifications/ Components

Firearm Used: Universal Receiver

Barrel Length: 24"

Twist: 1-8"

Case: Hornady

Trim-to Length: 1.506"

Primer: Winchester WSR

Remarks:

Appearing on the scene in 2002, under the development of Alexander Arms, the 6.5 Grendel was a new AR 15 platform friendly cartridge. Having been developed

from the PPC cartridges with greater case capacity than the 223, it was soon recognized as a cartridge with wide versatility. Quite useful for target shooting to 600 yards, it also performs very well on varmints at medium ranges. Naturally, hunters would also be attracted due to its light recoil along with plenty of velocity and energy to harvest deer and antelope. Accuracy has proven to be very good and lightweight short- action bolt rifles would work well for smaller statured shooters and those hunting in rugged terrain. Versatile, efficient, and accurate all are fitting descriptions of the 6.5 Grendel.

6.5 Grendel

#1700 .264" 85 gr. HP
C.O.A.L. 2.120"



Powder ↓ / Velocity →	2600	2700	2800	2900	2950	3000	3050
H4198	23.3	24.4	25.4	26.4			
IMR 4198	23.4	24.4	25.5				
H322	26.2	27.2	28.2	29.2			
XMR 2015	26.4	27.6	28.8				
Benchmark	26.9	27.9	29.0	30.0			
XMR 2230	26.7	27.9	29.1	30.3	30.9	31.5	32.0
Exterminator		28.2	29.5	30.8	31.4	32.0	
RE10x	25.1	26.1	27.2	28.2	28.7		
AA 2460	27.3	28.4	29.5	30.6	31.1	31.7	
Power Pro Varmint	28.0	29.3	30.6	31.9	32.5	33.2	33.8
Win 748	28.8	30.2	31.5				
N133	25.7	26.8	27.8	28.8	29.4	29.9	
TAC		29.2	30.4	31.7	32.3	32.9	33.6
H4895	27.8	28.8	29.8				
Energy/ft.lbs	1276	1376	1479	1587	1642	1698	1755

INDICATES MAXIMUM LOAD - USE CAUTION

LOADS LESS THAN MINIMUM CHARGES SHOWN ARE NOT RECOMMENDED.

6.5 Grendel

#1710 .264" 100 gr. HP
C.O.A.L. 2.135"



Powder↓ / Velocity →	2400	2500	2600	2650	2700	2750	2800
H4198	22.5	23.7	24.8	25.3			
IMR 4198	22.4	23.5	24.5				
H322	24.5	25.7	26.8	27.4	27.9		
XMR 2015	24.7	25.8	26.9	27.5			
Benchmark	25.6	26.7	27.8	28.4	28.9	29.5	
XMR 2230	25.7	26.8	27.9	28.5	29.0	29.6	
Exterminator	25.6	26.9	28.2	28.8	29.5	30.1	
RE10x	23.9	25.0	26.1	26.6	27.2	27.7	
Power Pro Varmint	26.7	27.8	28.9	29.5	30.1	30.6	31.2
AA 2460	26.4	27.6	28.9	29.5	30.1		
IMR 8208 XBR	26.1	27.2	28.3				
Win 748	27.2	28.6	30.0	30.7	31.4		
N133	24.3	25.4	26.5	27.1	27.6		
TAC	26.4	27.6	28.8	29.4	30.0	30.6	31.2
H335	26.4	27.7	29.0	29.6	30.3		
H4895	26.4	27.4	28.4	28.9	29.4	29.9	
Varget	27.2	28.2	29.2	29.7			
Energy/ft.lbs	1279	1388	1501	1559	1618	1679	1741

INDICATES MAXIMUM LOAD - USE CAUTION

LOADS LESS THAN MINIMUM CHARGES SHOWN ARE NOT RECOMMENDED.

6.5 Grendel

#1715 .264" 107 gr. HPBT
C.O.A.L. 2.260"



#7407 .264" 107 gr. TMK
C.O.A.L. 2.260"



Powder↓ / Velocity →	2300	2400	2500	2600	2650	2700	2750
H4198	21.5	22.6	23.7	24.8			
IMR 4198	21.4	22.3	23.2				
H322	23.6	24.6	25.7	26.7	27.2		
XMR 2015	24.1	25.2	26.3	27.4			
Benchmark	24.5	25.5	26.5	27.5	28.0		
XMR 2230	24.5	25.7	26.9	28.1	28.7	29.3	
Exterminator	24.8	25.9	27.0	28.1	28.6	29.2	29.8
RE10x	22.7	23.8	24.8	25.9			
Power Pro Varmint	26.2	27.2	28.3	29.3	29.8	30.4	30.9
AA 2460	25.2	26.4	27.6	28.8	29.4	30.0	
IMR 8208 XBR	25.5	26.5	27.5	28.5			
Win 748	26.9	28.0	29.1				
N133	23.8	24.7	25.6	26.6	27.1		
TAC	25.1	26.3	27.5	28.7	29.3	29.9	30.5
H335	25.3	26.4	27.5	28.6	29.2		
H4895	25.5	26.5	27.4				
Energy/ft.lbs	1257	1368	1485	1606	1668	1732	1796

INDICATES MAXIMUM LOAD - USE CAUTION

LOADS LESS THAN MINIMUM CHARGES SHOWN ARE NOT RECOMMENDED.

6.5 Grendel

#1720 .264" 120 gr. Spitzer
C.O.A.L. 2.135"



#1725 .264" 120 gr. HPBT
C.O.A.L. 2.240"



Powder↓ / Velocity →	2200	2300	2400	2450	2500	2550	2600
IMR 4198	21.2	22.3					
H322	22.9	24.1	25.2	25.8			
XMR 2015	23.5	24.6	25.8				
Benchmark	23.5	24.7	25.8	26.4	27.0		
XMR 2230	23.9	25.1	26.3	26.9	27.5		
Exterminator	24.1	25.3	26.5	27.1	27.7		
RE10x	22.4	23.5	24.6	25.1			
Power Pro Varmint	24.9	26.1	27.2	27.8	28.4	29.0	29.6
AA 2460	24.9	26.0	27.2	27.8	28.4		
IMR 8208 XBR	24.1	25.2	26.3	26.9	27.4		
Win 748	25.4	26.6	27.9	28.5	29.1		
N133	22.6	23.9					
XMR 2495	24.7	25.9	27.1	27.7			
TAC	24.6	25.8	27.0	27.6	28.2	28.8	
H335	24.6	25.9	27.1	27.7	28.3		
H4895	24.2	25.3	26.4	26.9	27.4		
Varget	25.2	26.3	27.4	28.0			
Energy/ft.lbs	1289	1409	1535	1599	1665	1732	1801

INDICATES MAXIMUM LOAD - USE CAUTION
LOADS LESS THAN MINIMUM CHARGES SHOWN ARE NOT RECOMMENDED.

6.5 Grendel

#1727 .264" 123 gr. HPBT
C.O.A.L. 2.260"



Powder↓ / Velocity →	2100	2200	2300	2400	2450	2500	2550
IMR 4198	20.5	21.6	22.7				
H322	22.1	23.2	24.3	25.4			
XMR 2015	22.5	23.6	24.7				
Benchmark	22.7	23.7	24.8	25.9	26.4		
XMR 2230	22.9	23.9	25.0	26.0	26.5		
Exterminator	22.3	23.7	25.0	26.4	27.0		
RE10x	21.4	22.5	23.6	24.7			
Power Pro Varmint	23.4	24.7	26.0	27.3	27.9	28.6	29.2
AA 2460	23.7	24.9	26.1	27.4	28.0		
IMR 8208 XBR	23.4	24.6	25.8	26.9	27.5		
Win 748	24.7	26.0	27.3	28.7			
XMR 2495	23.5	24.7	25.8	27.0	27.6		
TAC	23.7	24.9	26.0	27.2	27.7	28.3	28.9
H335	23.8	24.9	26.0	27.1	27.7	28.2	
H4895	23.4	24.5	25.5	26.5	27.1		
Varget	24.4	25.5	26.6	27.7			
Energy/ft.lbs	1204	1322	1445	1573	1639	1707	1776

INDICATES MAXIMUM LOAD - USE CAUTION
LOADS LESS THAN MINIMUM CHARGES SHOWN ARE NOT RECOMMENDED.

6.5 Grendel

#1728 .264" 130 gr. HPBT
C.O.A.L. 2.135"



#7430 .264" 130 gr. TMK
C.O.A.L. 2.260"



**8" TWIST
OR FASTER**

Powder↓ / Velocity →	2100	2200	2250	2300	2350	2400	2450
RE10x	21.7	22.8	23.4	24.0			
Power Pro Varmint	24.1	25.4	26.0	26.6	27.3	27.9	28.5
AA 2460	24.2	25.5	26.1	26.7	27.3		
IMR 8208 XBR	23.7	24.8	25.9	26.4			
XMR 2495	24.2	25.2	25.7	26.1	26.6		
TAC	23.8	24.9	25.5	26.1	26.7	27.3	
H335	24.0	25.2	25.9	26.5			
Energy/ft.lbs	1273	1397	1527	1594	1628	1662	1732

INDICATES MAXIMUM LOAD - USE CAUTION
LOADS LESS THAN MINIMUM CHARGES SHOWN ARE NOT RECOMMENDED.

6.5 Grendel

INDICATES MAXIMUM LOAD - USE CAUTION
LOADS LESS THAN MINIMUM CHARGES SHOWN ARE NOT RECOMMENDED.