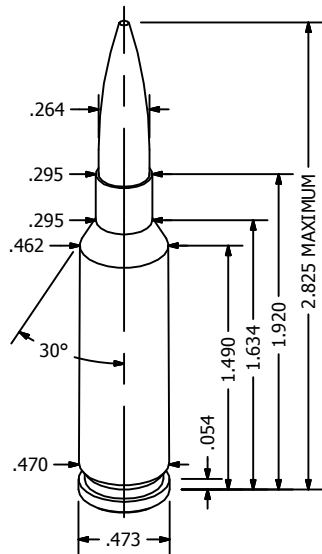


6.5 Creedmoor



Test Specifications/ Components

Firearm Used: Universal Receiver

Barrel Length: 24"

Twist: 1-8"

Case: Hornady

Trim-to Length: 1.910"

Primer: Winchester WLR

Remarks:

Developed in 2007 by Dennis DeMille and Dave Emary, the 6.5 Creedmoor is a shortened and improved 30 TC cartridge case that was inspired by the .308 Winchester design. This short action design was created to maximize case capacity and a wide range of loading lengths, while still fitting in standard short action maga-

zines. With the correct twist barrel, the versatile 6.5 Creedmoor can take advantage of the wide range of bullet weights available in 6.5mm. Reloaders should keep in mind that the 6.5 Creedmoor works best with medium to medium-slow powders such as H4350, Varget, Win 760, and RE-17. The light recoil and adaptability of the efficient 6.5 Creedmoor cartridge has already proven itself in high power, precision rifle series and benchrest competitions. Couple that with respectable barrel life and its intrinsic accuracy potential and you have a recipe for success which should insure its legacy for decades to come.

6.5 Creedmoor

#1700 .264" 85 gr. HP
C.O.A.L. 2.670"



Powder ↓ / Velocity →	2900	3000	3100	3200	3300	3400	3500
IMR 8208 XBR	36.6	37.7	38.9	40.1	41.2	42.4	
TAC	36.5	37.9	39.3	40.6	42.0		
IMR 4895	37.2	38.4	39.7	40.9	42.2	43.4	
IMR 4166 End.	37.0	38.3	39.6	40.8	42.1	43.4	
Varget	37.7	39.0	40.4	41.8	43.1		
IMR 4064	37.5	38.8	40.2	41.5	42.9	44.3	
RE 15	38.5	39.7	40.9	42.1	43.3	44.6	45.8
Power Pro 2000 MR	40.4	41.8	43.1	44.5	45.9	47.3	48.6
Win 760	42.1	43.6	45.0	46.5	47.9		
RE 17	42.4	43.5	44.6	45.7	46.8	47.9	
H4350	43.0	44.4	45.7	47.1			
Energy/ft.lbs	1587	1698	1813	1932	2055	2181	2312

#1710 .264" 100 gr. HP
C.O.A.L. 2.650"



Powder ↓ / Velocity →	2600	2700	2800	2900	3000	3100	3200
IMR 8208 XBR	32.6	34.2	35.8	37.4	39.0	40.6	42.2
IMR 4895	34.2	35.7	37.2	38.7	40.2	41.7	
Varget	33.8	35.4	37.0	38.6	40.2	41.8	43.4
IMR 4064	34.7	36.2	37.6	39.0	40.4	41.9	
RE 15	35.2	36.6	37.9	39.3	40.6	42.0	43.3
Power Pro 2000 MR	38.1	39.5	40.8	42.2	43.5	44.8	46.2
RE 17	39.2	40.4	41.7	42.9	44.2	45.4	46.7
Energy/ft.lbs	1501	1618	1741	1867	1998	2133	2273

INDICATES MAXIMUM LOAD - USE CAUTION

LOADS LESS THAN MINIMUM CHARGES SHOWN ARE NOT RECOMMENDED.

6.5 Creedmoor

#1715 .264" 107 gr. HPBT
C.O.A.L. 2.790"



#7407 .264" 107 gr. TMK
C.O.A.L. 2.790"



Powder↓ / Velocity →	2700	2800	2900	3000	3100	3200
IMR 8208 XBR	34.7	36.1	37.5	38.9	40.3	
H4895	34.6	36.1	37.5	39.0	40.4	
IMR 4895	35.9	37.2	38.5	39.7		
Varget	35.8	37.3	38.7	40.2	41.7	
IMR 4064	35.9	37.2	38.5	39.8		
RE 15	36.5	37.8	39.1	40.3	41.6	
Win 760	41.4	42.7	44.0	45.2	46.5	
RE 17	40.1	41.3	42.4	43.6	44.8	46.0
IMR 4451 End.	41.7	43.0	44.4	45.8		
Energy/ft.lbs	1732	1862	1998	2138	2283	2432

#1720 .264" 120 gr. Spitzer
C.O.A.L. 2.730"



Powder↓ / Velocity →	2500	2600	2700	2800	2900	3000
IMR 8208 XBR	31.9	33.7	35.6			
IMR 4895	33.2	34.8	36.4	38.0	39.6	
Varget	32.0	33.8	35.6	37.4		
RE 15	33.1	34.9	36.6	38.3	40.1	
Win 760	37.0	38.9	40.7	42.5	44.4	
RE 17	36.0	37.4	38.9	40.4	41.8	43.3
IMR 4451 End.	37.5	39.3	41.1	42.9	44.7	
IMR 4350	38.4	40.1	41.7	43.4	45.0	
H4350	36.1	38.0	39.9	41.8	43.7	
Hybrid 100V	36.6	38.2	39.8	41.4	43.0	
Energy/ft.lbs	1665	1801	1942	2089	2240	2398

INDICATES MAXIMUM LOAD - USE CAUTION
LOADS LESS THAN MINIMUM CHARGES SHOWN ARE NOT RECOMMENDED.

6.5 Creedmoor

#1725 .264" 120 gr. HPBT
C.O.A.L. 2.750"



#1727 .264" 123 gr. HPBT
C.O.A.L. 2.810"



Powder↓ / Velocity →	2500	2600	2700	2800	2900	3000
IMR 8208 XBR	32.9	34.4	36.0	37.5		
H4895	33.3	34.7	36.2	37.6	39.0	
IMR 4895	33.6	35.0	36.5	37.9	39.3	
Varget	33.3	34.9	36.4	38.0	39.6	
IMR 4064	33.9	35.4	36.9	38.5		
RE 15	33.7	35.3	36.8	38.4	40.0	
Win 760	38.2	39.7	41.3	42.8	44.4	46.0
RE 17	36.0	37.4	38.9	40.4	41.8	43.3
IMR 4451 End.	40.3	41.4	42.6	43.7	44.9	
IMR 4350	38.3	39.9	41.4	43.0	44.6	
H4350	37.8	39.4	40.9	42.5	44.0	45.6
Hybrid 100V	36.7	38.2	39.7	41.3	42.8	
Energy/ft.lbs	1665	1801	1942	2089	2240	2398

INDICATES MAXIMUM LOAD - USE CAUTION
LOADS LESS THAN MINIMUM CHARGES SHOWN ARE NOT RECOMMENDED.

6.5 Creedmoor

#1728 .264" 130 gr. HPBT
C.O.A.L. 2.670"



Powder↓ / Velocity →	2400	2500	2600	2700	2800	2900
H4895	32.8	33.6	35.1	36.7		
IMR 4895	32.8	34.2	35.7	37.2		
Varget	33.1	34.6	36.1	37.6		
IMR 4064	33.2	34.7	36.1	37.6		
RE 15	32.7	34.4	36.0	37.7	39.3	
Win 760	37.9	39.3	40.7	42.1	43.5	44.8
RE 17	36.3	37.7	39.1	40.4	41.8	43.2
RE 16	36.4	38.0	39.6	41.2	42.8	44.4
IMR 4451 End.	37.4	39.0	40.6	42.1	43.7	
IMR 4350	37.8	39.3	40.8	42.4		
H4350	36.4	38.0	39.7	41.3	42.9	
Hybrid 100V	35.8	37.3	38.9	40.5	42.0	
RE 19	40.2	41.6	43.0	44.4	45.8	
Energy/ft.lbs	1662	1804	1951	2104	2263	2427

6.5 Creedmoor

#7430 .264" 130 gr. TMK
C.O.A.L. 2.810"



**8" TWIST
OR FASTER**

Powder↓ / Velocity →	2400	2500	2600	2700	2800	2900
H4895	32.0	33.6	35.1	36.7		
IMR 4895	32.8	34.2	35.7	37.2		
Varget	32.8	34.3	35.8	37.3	38.8	
AR Comp	31.2	32.9	34.6	36.3		
IMR 4064	33.2	34.7	36.1	37.6		
RE 15	32.7	34.4	36.0	37.7	39.3	
Win 760	37.9	39.3	40.7	42.1	43.5	44.8
RE 17	36.3	37.7	39.1	40.4	41.8	43.2
RE 16	36.4	38.0	39.6	41.2	42.8	44.4
IMR 4451 End.	37.4	39.0	40.6	42.1	43.7	
IMR 4350	37.4	38.9	40.5	42.0	43.6	
H4350	36.4	38.0	39.7	41.3	42.9	
Hybrid 100V	35.8	37.3	38.8	40.4	41.9	
RE 19	40.2	41.6	43.0	44.4	45.8	
Energy/ft.lbs	1662	1804	1951	2104	2263	2427

INDICATES MAXIMUM LOAD - USE CAUTION

LOADS LESS THAN MINIMUM CHARGES SHOWN ARE NOT RECOMMENDED.

INDICATES MAXIMUM LOAD - USE CAUTION

LOADS LESS THAN MINIMUM CHARGES SHOWN ARE NOT RECOMMENDED.

6.5 Creedmoor

#1730 .264" 140 gr. SBT
C.O.A.L. 2.750"



#1740 .264" 140 gr HPBT
C.O.A.L. 2.810"



Powder↓ / Velocity →	2300	2400	2500	2600	2700	2800
H4895	31.2	32.8	34.4	36.0		
IMR 4895	32.5	33.9	35.4	36.9		
Varget	32.2	33.8	35.4	37.0		
IMR 4064	32.7	34.2	35.8	37.3		
RE 15	32.1	33.7	35.4	37.0	38.7	
BIG GAME	34.8	36.4	38.0	39.6	41.1	
RE 17	34.0	35.7	37.4	39.0	40.7	42.3
RE 16	35.0	36.7	38.4	40.1	41.8	43.5
IMR 4451 End.	36.9	38.4	39.9	41.4	42.9	
IMR 4350	36.3	37.8	39.3	40.8	42.3	
H4350	35.1	36.8	38.5	40.3	42.0	
Hybrid 100V	34.8	36.4	37.9	39.5	41.0	
RE 19	39.0	40.5	42.0	43.5	45.0	46.5
H4831sc	38.0	39.9	41.8	43.7	45.6	
Superformance	39.6	41.0	42.3	43.6	44.9	46.2
Energy/ft.lbs	1644	1790	1943	2101	2266	2437

INDICATES MAXIMUM LOAD - USE CAUTION
LOADS LESS THAN MINIMUM CHARGES SHOWN ARE NOT RECOMMENDED.

6.5 Creedmoor

#1742 .264" 142 gr. HPBT
C.O.A.L. 2.810"



**8" TWIST
OR FASTER**

Powder↓ / Velocity →	2300	2400	2500	2600	2700	2800
H4895	31.2	32.7	34.3	35.8		
IMR 4895	32.0	33.5	35.0	36.5		
Varget	31.9	33.5	35.1	36.7		
IMR 4064	32.4	33.9	35.4	36.9		
RE 15	32.1	33.7	35.4	37.0	38.7	
BIG GAME	34.8	36.4	38.0	39.6	41.1	
RE 17	34.1	35.7	37.3	38.9	40.5	42.1
RE 16	35.0	36.7	38.4	40.1	41.8	43.5
IMR 4451 End.	36.9	38.4	39.9	41.4	42.9	
IMR 4350	36.3	37.8	39.3	40.8	42.3	
H4350	35.3	36.9	38.6	40.3	41.9	
Hybrid 100V	34.8	36.4	37.9	39.5	41.0	
RE 19	39.0	40.5	42.0	43.5	45.0	46.5
H4831sc	38.0	39.9	41.8	43.7	45.6	
Superformance	39.6	41.0	42.3	43.6	44.9	46.2
Energy/ft.lbs	1668	1816	1970	2131	2298	2472

INDICATES MAXIMUM LOAD - USE CAUTION
LOADS LESS THAN MINIMUM CHARGES SHOWN ARE NOT RECOMMENDED.

6.5 Creedmoor

#1755 .264" 150 gr. HPBT
C.O.A.L. 2.810"



**7.5" TWIST
OR FASTER**

Powder↓ / Velocity →	2400	2500	2600	2650	2700	2750	2800
RE 15	34.0	35.9	37.7				
RE 16	37.3	39.1	40.9	41.8	42.8		
N540	34.7	36.3	38.0				
RE 17	36.4	37.9	39.4	40.2	41.0	41.8	
IMR 4350	38.0	39.8	41.5				
IMR 4451 End.	38.0	39.7	41.3	42.1	42.9		
H4350	36.9	38.6	40.3	41.2	42.1		
Hybrid 100V	36.0	37.7	39.5	40.3			
RE 19	40.9	42.5	44.0	44.8	45.6	46.4	
H4831sc	40.0	41.9	43.9	44.9	45.9		
Superformance		42.0	43.5	44.3	45.1	45.8	46.6
IMR 4955 End.	38.6	40.3	42.0	42.9			
RE 22	41.1	42.6	44.0	44.8	45.5	46.2	
Energy/ft.lbs	1918	2081	2251	2339	2428	2518	2611

INDICATES MAXIMUM LOAD - USE CAUTION

LOADS LESS THAN MINIMUM CHARGES SHOWN ARE NOT RECOMMENDED.