

POWERSMART[®]

INSTRUCTION MANUAL

EN 21" 3-in-1 Gas Self Propelled Lawn Mower

FR 21 POUCES 3-in-1 Tondeuse autopropulsée de gaz

ES 21" 3-en-1 Cortadora de césped autopropulsado a gas

Model # DB2321S



Have product questions or need technical support? Please feel free to contact us!

Website: www.Amerisuninc.com
www.powersmartusa.com

Toll free: 1-800-791-9458 Mon-Fri 9-5 EST

Email: support@amerisuninc.com

CONTENTS

Technical data..... 3
Introduction..... 4
Safety information..... 4
General safety procedures 5
Important safety instructions..... 6
Knowing your lawn mower..... 8
Lawn mower preparation..... 9
Operation..... 12
Maintenance..... 16
Storage..... 19
Troubleshooting..... 20
Exploded view & parts list..... 21
Warranty..... 25

TECHNICAL DATA

21" 3-in-1 Gas Self Propelled Lawn Mower Model # DB2321S

Engine type:	4 Stroke, OHV, single cylinder with forced air-cooling system
Displacement:	161 cc
Fuel tank capacity:	0.26 Gallon
Oil capacity:	15.2 fl.oz
Cutting width:	21 inch
Cutting height:	1.18 – 3 inch
Height adjustment:	5 Position
Drive type:	Push
Grass catcher capacity:	1.4 Bushels
Wheel:	Front: 7 inch / Rear: 8 inch
Package dimensions (L x W x H):	33.3 x 22.6 x 17.3 inches
Weight:	68 lb.

INTRODUCTION

Thank You for Purchasing a PowerSmart® Product. This manual provides information regarding the safe operation and maintenance of this product. Every effort has been made to ensure the accuracy of the information in this manual. PowerSmart® reserves the right to change this product and specifications at any time without prior notice.

Please keep this manual available to all users during the entire life of the lawn mower.



This manual contains special messages to bring attention to potential safety concerns, lawn mower damage as well as helpful operating and servicing information. Please read all the information carefully to avoid injury and machine damage.

QUESTIONS? PROBLEMS?

Please contact our Customer Service Dept. with any questions and/or comments, either by Email: support@amerisuninc.com, or Toll Free at (800) 791-9458. We are available Mon-Fri 9am-5pm EST to help solve any issues that you might encounter.

NOTICE REGARDING EMISSIONS

Engines that are certified to comply with U.S. EPA emission regulations for SORE (Small Off Road Equipment), are certified to operate on regular unleaded gasoline, and may include the following emission control systems: (EM) Engine Modifications and (TWC) Three-Way Catalyst (if so equipped).

SAFETY INFORMATION

Before operating this lawn mower, read and observe all warnings, cautions, and instructions on the lawn mower and in this Owner's Manual.

NOTE: The following safety information is not meant to cover all possible conditions and situations that may occur. Read the entire Owner's Manual for safety and operating instructions. Failure to follow instructions and safety information could result in serious injury or death.

This safety alert symbol is used to identify safety information about hazards that can result in personal injury.



A signal word (DANGER, WARNING, or CAUTION) is used with the alert symbol to indicate the likelihood and the potential severity of injury. In addition, a hazard symbol may be used to represent the type of hazard.

DANGER indicates a hazard, which, if not avoided, will result in death or serious injury.

WARNING indicates a hazard, which, if not avoided, could result in death or serious injury.

CAUTION indicates a hazard, which, if not avoided, might result in minor or moderate injury.

CAUTION when used without the alert symbol, indicates a situation that could result in damage to the engine.

GENERAL SAFETY PROCEDURES

For any questions regarding the hazard and safety notices listed in this manual or on the product, please call (800) 791-9458 Mon-Fri 9-5 EST before using the engine.



DANGER: CARBON MONOXIDE

Using an engine indoors CAN KILL YOU IN MINUTES. Engine exhaust contains carbon monoxide (CO). This is a poison gas you cannot see or smell. If you can smell the engine exhaust, you are breathing CO. But even if you cannot smell the exhaust, you could be breathing CO.

NEVER use an engine inside homes, garages, crawlspaces, or other partly enclosed areas. Deadly levels of carbon monoxide can build up in these areas. Using a fan, or opening windows and/or doors will NOT properly vent CO nor supply adequate fresh air. ONLY use an engine outside and far away from windows, doors, and vents. These openings can pull in engine exhaust.

Even if you use an engine correctly, CO may leak into the home. ALWAYS use a battery-powered or battery-backup CO alarm in the home. If you start to feel sick, dizzy, or weak after the engine has been running, move to fresh air RIGHT AWAY. See a doctor. You may have carbon monoxide poisoning.

WARNING: The exhaust from this product contains chemicals known to the State of California to cause cancer, birth defects, or other reproductive harm.

WARNING: This engine may emit highly flammable and explosive gasoline vapors, which can cause severe burns or even death if ignited. A nearby open flame can lead to explosion even if it isn't directly in contact with gasoline.

- Do not operate near an open flame.
- Do not smoke near the engine.
- Always operate on a firm, level surface.
- Always turn engine off before refueling. Allow engine to cool for at least 2 minutes before removing fuel cap. Loosen cap slowly to relieve pressure in tank.
- Do not overfill fuel tank. Gasoline may expand during operation. Do not fill to the top of the tank. Allow for expansion.
- Always check for spilled fuel before operating.
- Empty fuel tank and carburetor bowl before storing or transporting the engine.

WARNING: This engine produces heat when running. Temperatures near exhaust can exceed 150⁰F (65⁰ C).

Do not touch hot surfaces. Pay attention to warning labels on the engine identifying hot parts of the machine.

Allow engine to cool down after use before touching engine or areas of the engine that become hot during use.

CAUTION: Misuse of this engine can damage it or shorten its life. Only use engine for its intended purposes.

IMPORTANT SAFETY INSTRUCTIONS

General Operation

Read, understand, and follow all instructions on the machine and in the manual(s) before starting.

1. Do not put hands or feet near or under the machine. Keep clear of the discharge opening at all times.
2. Only allow responsible adults, who are familiar with the instructions, to operate this machine.
3. Clear the area of objects such as rocks, wire, toys, etc., which could be thrown by the blade. Stay behind the handle when the engine is running.
4. Be sure the area is clear of bystanders before operating. Stop machine if anyone enters the area.
5. Do not operate machine barefooted or while wearing sandals. Always wear substantial footwear.
6. Do not pull machine backward unless absolutely necessary. Always look down and behind before and while moving backward.
7. Never direct discharged material toward anyone. Avoid discharging material against a wall or obstruction. Material may ricochet back toward the operator. Stop the blade when crossing gravel surfaces.
8. Do not operate machine without the entire grass catcher, discharge guard, rear guard, or other safety protective devices in place and working.
9. Never leave a running machine unattended.
10. Stop the engine and wait until the blade comes to a complete stop before cleaning the machine, removing grass catcher, or unclogging the discharge guard.
11. Operate machine only in daylight or good artificial light.
12. Do not operate machine while under the influence of alcohol or drugs.
13. Never operate mower in wet grass. Always be sure of your footing; walk; never run.
14. Disengage the drive system, if so equipped, before starting the engine.
15. If the machine should start to vibrate abnormally, stop the engine and check for the cause immediately. Vibration is generally a warning of trouble.
16. Always wear eye protection when operating machine.
17. See manufacturer's instructions for proper operation and installation of accessories. Only use accessories approved by the manufacturer.

Slope Operation

Slopes are a major factor related to slip and fall accidents, which can result in severe injury. Operation on all slopes require extra caution. If you feel uneasy on a slope, do not mow it.

1. Mow across the face of slopes; never up and down. Exercise extreme caution when changing direction on slopes.
2. Watch for holes, ruts, bumps, rocks, or other hidden objects. Uneven terrain could cause a slip and fall accident. Tall grass can hide obstacles.
3. Do not mow on wet grass or excessively steep slopes. Poor footing could cause a slip and fall accident.
4. Do not mow near drop-offs, ditches, or embankments. You could lose your footing or balance.

Children

Sever injury can occur if the operator is not alert to the presence of children in the immediate area. Children are often attracted to the mowing activity. Never assume that children will remain where you last saw them.

1. Keep children out of the mowing area and under the watchful care of a responsible adult other than the operator.
2. Be alert and turn mower off if a child enters the area.
3. Never allow children under the age of 16 to operate the lawn mower.
4. Use extra care when approaching blind corners, shrubs, trees, or other objects that may block your view of a child.

Service

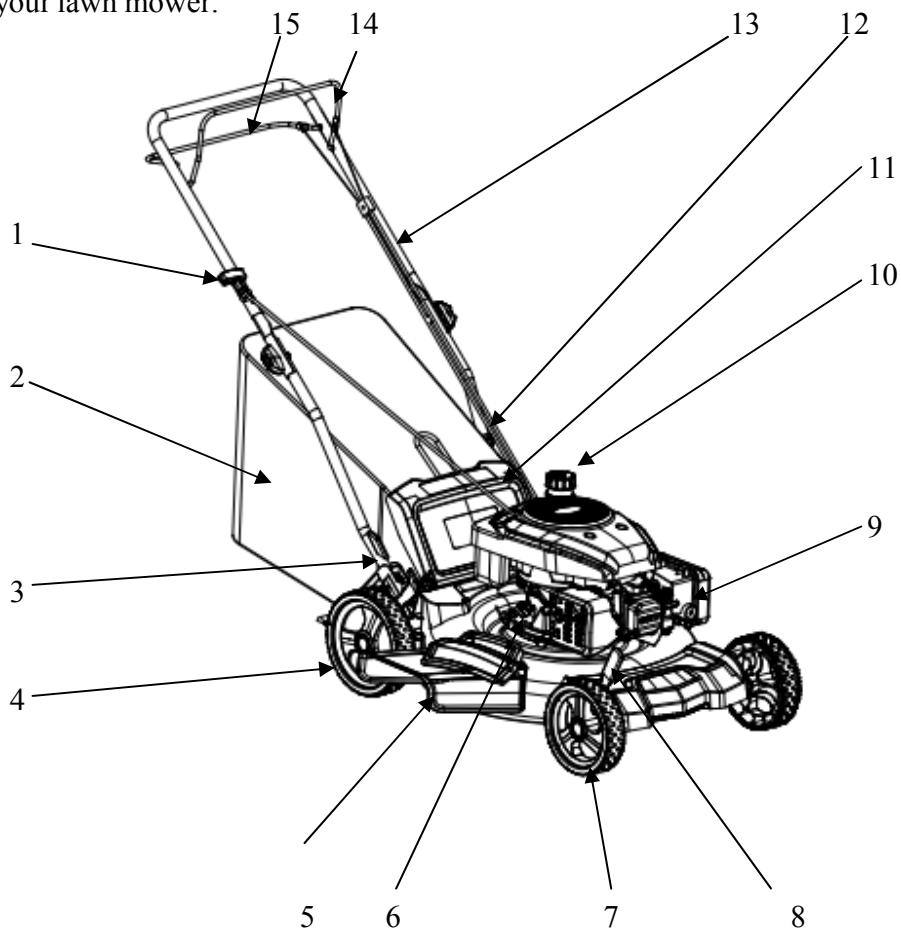
1. Safe Handling of Gasoline
2. To avoid personal injury or property damage, use extreme care in handling gasoline. Gasoline is extremely flammable and the vapors are explosive.
3. Extinguish all cigarettes, cigars, pipes, and other sources of ignition.
4. Only use a US EPA approved compliant portable fuel container.
5. Never remove gas cap or add fuel with the engine running. Allow engine to cool before refueling.
6. Never attempt to refuel the lawn mower while indoors.
7. Never store the machine or fuel container where there is an open flame, spark, or pilot light such as on a water heater or on other appliances.
8. Never fill containers inside a vehicle or on a truck or trailer bed with a plastic liner. Always place containers on the ground away from your vehicle before filling.
9. Remove gas-powered equipment from the truck or trailer and refuel it on the ground. If this is not possible, then refuel such equipment with a portable container, rather than from a gasoline dispenser nozzle.
10. Keep the nozzle in contact with the rim of the fuel tank or container opening at all times until fueling is complete. Do not use a nozzle lock-open device.
11. If fuel is spilled on clothing, change clothing immediately.
12. Never overfill fuel tank. Replace gas cap and tighten securely.

General Service

1. Never operate machine in a closed area.
2. Keep all nuts and bolts tight to be sure the equipment is in safe working condition.
3. Never tamper with safety devices. Check their proper operation regularly.
4. Keep machine free of grass, leaves, or other debris build-up. Clean up oil or fuel spillage and remove any fuel-soaked debris. Allow machine to cool before storing.
5. If you strike a foreign object, stop and inspect the machine. Repair, if necessary, before starting.
6. Never make any adjustments or repairs with the engine running. Disconnect the spark plug wire to prevent unintended starting.
7. Check grass catcher components and the discharge guard frequently and replace with manufacturer's recommended parts, when necessary.
8. Mower blades are sharp. Wrap the blade or wear gloves, and use extra caution when servicing them.
9. Do not change the engine governor setting or overspeed the engine.
10. Maintain or replace safety and instruction labels, as necessary.

KNOWING YOUR LAWN MOWER

Please use the illustration below to familiarize yourself with the location and function of the components that control of your lawn mower.



- | | | | |
|---|---------------------------------|----|---------------------------|
| 1 | Recoil Starter handle | 9 | Primer bulb |
| 2 | Grass catcher | 10 | Fuel tank cap |
| 3 | Cutting height adjustment lever | 11 | Rear discharge door |
| 4 | Rear wheel | 12 | Lower handle |
| 5 | Side discharge chute | 13 | Upper handle |
| 6 | Oil dipstick | 14 | Engine start/stop control |
| 7 | Front wheel | 15 | Drive Control bar |
| 8 | Cutting height adjustment lever | | |

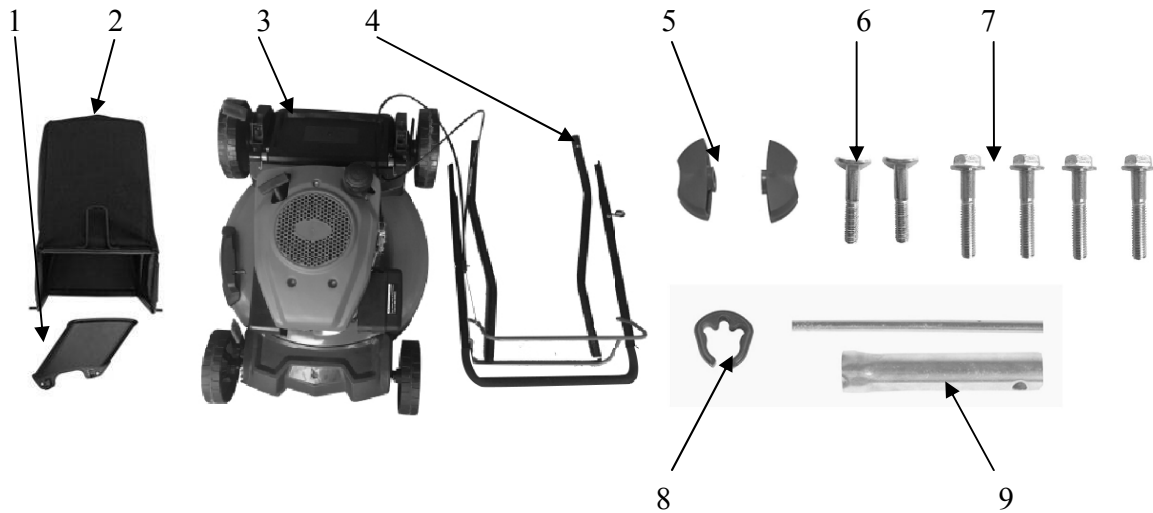
LAWN MOWER PREPARATION

The following section describes steps necessary to prepare the lawn mower for use. If after reading this section, you are unsure about how to perform any of the steps please call (800) 791-9458 Mon-Fri 9-5 EST for customer service. Failure to perform these steps properly can damage the lawn mower or shorten its lifespan.

UNPACKING

Tools required (not included): #2PH screwdriver, utility knife.

Unpack the lawn mower and all its parts, and compare against the list below. Do not discard the carton or any packaging until the engine is completely assembled.

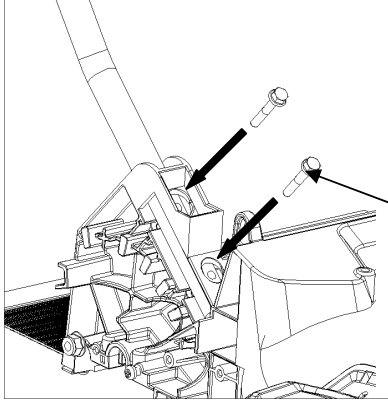


- 1 Side discharge chute
- 2 Grass Catcher
- 3 Lawn mower with upper handle
- 4 Lower handle (left and right)
- 5 Knob (2)

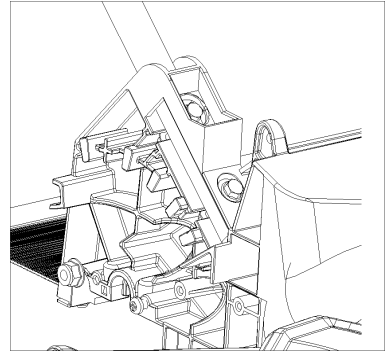
- 6 Screw M8 (2)
- 7 Flange bolts M6 (4)
- 8 Cable clip
- 9 Spark plug wrench

ATTACH LOWER & UPPER HANDLE

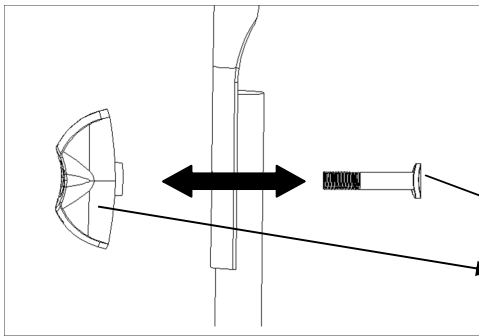
1. Take lower handle and line up the hole in the lower handle with the hole on the handle bracket. Make sure Left lower handle to left side of the mower, Right lower handle to right side of mower.
2. Secure the lower handle with Sleeve with provided M6 Hexagonal flange bolts on each side.



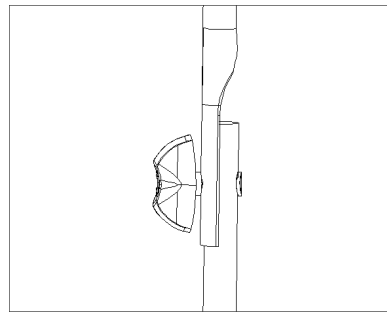
M6 flange bolt



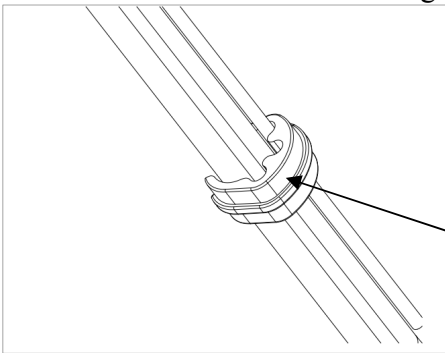
3. Pull upper handle up and lock it in position with bolts and knob on both sides. Make sure engine star/stop control is on top.



Knob and screw

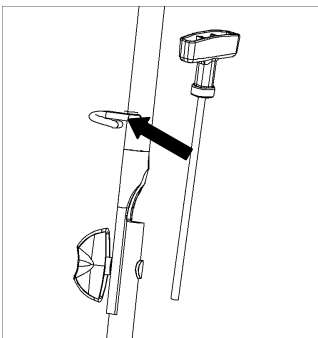


4. Lock the cable to the handle using cable clip

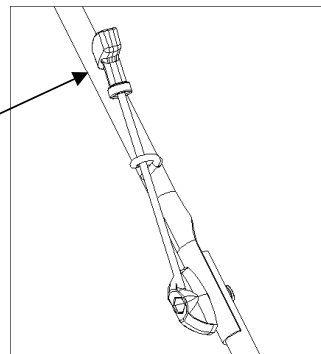


Cable Clip

5. Insert the recoil starter handle cable into the hook provided on the upper handle. You must engage the start/stop control to release the recoil starter handle.
- 6.



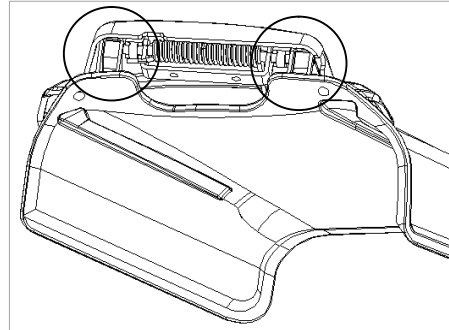
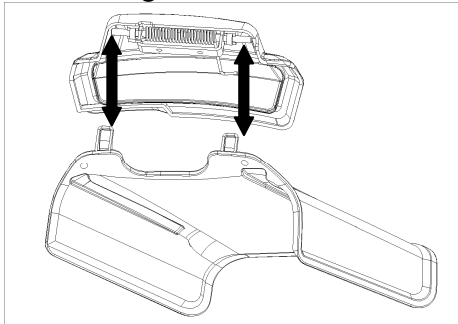
Recoil starter handle



SIDE DISCHARGE CHUTE

To convert mower for side discharge, the grass catcher has been removed and that the rear discharge door is closed.

1. Lift the spring-loaded discharge cover located on the side of the mower.
2. Slide two hooks of the side discharge chute under the hinge pin and lower the spring on the side discharge cover.



Caution: Do not attempt to remove the permanently mounted spring loaded side discharge cover at any time.

GRASS CATCHER

Attach grass catcher

1. Lift mower rear discharge door.
2. Place grass catcher into the slots in the handle brackets.
3. Release the rear discharge door so that it rests on the grass catcher.

ADJUSTING THE CUTTING HEIGHT



Warning! Cutting height adjustments should only be performed after the engine and blades have come to a complete stop!

It is always best to begin cutting your lawn with a higher deck height to prevent scalping your lawn.

The cutting height is adjusted with front and rear levers.

Actuate the adjustment lever and pull it to the required position. Please make sure that the lever locks into same position.

OPERATION

GAS AND OIL FILL-UP

The engine comes shipped without oil or gasoline. Be sure to add oil and gasoline before starting the engine.

1. Add oil before starting mower for the first time.
2. Service the engine with gasoline as instructed .



Warning: Use extreme care when handling gasoline. Gasoline is extremely flammable and its vapors are explosive. Never fuel the machine indoors or while the engine is hot or running. Extinguish all cigarettes, cigars, pipes and other potential sources of ignition.

Engine Oil

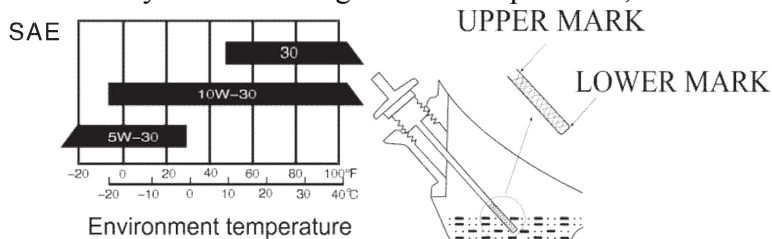
Engine oil is a key factor in deciding the engines performance. Do not apply engine oil with additives or 2-stroke gasoline engine oil, because they haven't enough lubrication, and may shorten the engines service life.



Check the engine with it stopped on a level ground.

Engine oil recommended: 10W-30

As viscosity varies with regions and temperatures, SF class oil is recommended.



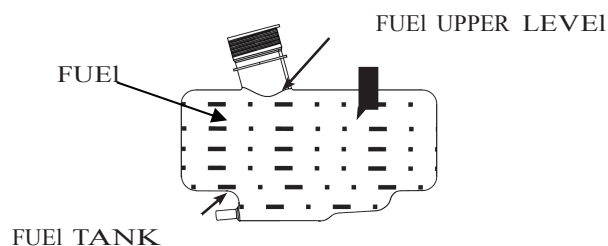
Check method

- 1) Remove the dipstick and Clean it.
- 2) Reinsert the dipstick into the oil filling hole without screwing check oil lever.
- 3) If the oil level is too low, add the recommended engine oil up to the oil upper level
- 4) Reinstall the dipstick.

Adding Gasoline

Remove the fuel tank cap and check fuel level.

If the level is too low, refuel the tank, remember adding fuel not over the fuel upper level.



⚠ WARNING

1. Gasoline is extremely flammable and is explosive under certain conditions.
2. Refueling in a well-ventilation area with the engine stopped. Do not smoke and allow flames or sparks in the area where gasoline is stored or where the fuel tank is refueled.
3. Do not overfill the fuel tank (there should be no fuel in the filling neck). After refueling, make sure the fuel tank cap is set back securely.
4. Be careful not to spill fuel when refueling. Spilled fuel or fuel vapor may ignite. If any fuel is spilled, make sure the area is dry before starting the engine.
5. Avoid repeated or prolonged contact with skin or breathing of fuel vapor. Keep out of reach of children.

Use fresh (within 30 days from purchase), lead-free gasoline with a minimum of 87 octane rating. Do not mix oil with gasoline.

To add gasoline, follow these steps:

1. Make sure the lawn mower is on a level surface.
2. Unscrew fuel tank cap and set aside. NOTE: The fuel cap may be tight and hard to unscrew.
3. Slowly add unleaded gasoline to the fuel tank. Be careful not to overfill. The capacity of the fuel tank is 0.26gallons.

NOTE: Do not fill the fuel tank to the very top. Gasoline will expand and spill over during use even with the fuel cap in place.

4. Reinstall fuel cap and wipe clean any spilled gasoline with a dry cloth.

IMPORTANT:

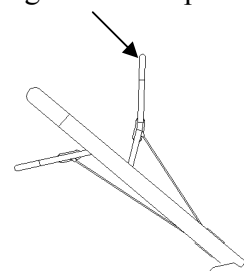
- Never use an oil/gasoline mixture.
- Never use old gasoline.
- Avoid getting dirt or water into the fuel tank.
- Gasoline can age in the tank and make starting difficult. Never store lawn mower for extended periods of time with fuel in the tank or the carburetor.

ENGINE START/STOP CONTROL

This lawn mower comes equipped with an engine start/stop control to prevent unintentional starting and to ensure safe operation. Releasing this lever will quickly stop the blade in case of danger. The lever must be actuated before the lawn mower is started. When the engine start/stop lever is released, it must return to its initial position.

Before you start mowing, you should run through this process several times in order to ensure that the lever and actuator cables are working properly.

Engine start/stop Control



Repeat the test several times after the engine has started up. When the engine start/stop Control is released, the engine must stop within a few seconds. If not, contact Customer Service.



Warning: The blade begins to rotate as soon as the engine is started.

START THE ENGINE

To start the engine, perform the following steps:

1. Check the oil and fuel levels.
2. Press the primer bulb 3 times.
3. Engage the engine Start/Stop Control and simultaneously pull on the recoil starter. Pull on the recoil starter handle slowly until a slight resistance is felt, then pull quickly to start the engine. Return cord gently into the recoil starter. Never allow the cord to snap back.
4. If engine fails to start, repeat step 3.

NOTE: After repeated failed attempts to start the engine, please consult the troubleshooting guide before attempting again. If problems persist, please call customer service.

NOTICE

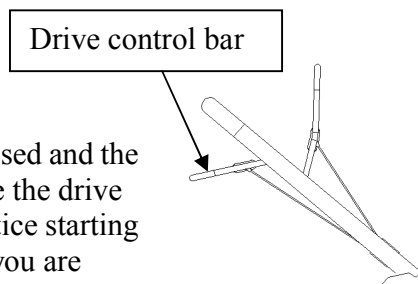
Don't allow the starter grip to snap back against the engine. Return it gently to prevent damage to the starter

STOP THE ENGINE

Release the engine start/stop control to stop the engine.

DRIVE CONTROL BAR

If you press drive control bar the clutch for the drive will be closed and the lawn mower will start to move with the engine running. Release the drive control bar in good time to stop the moving lawn mower. Practice starting and stopping before you use the mower for the first time until you are familiar with controlling the mower.



MOWING

The engine throttle on your mower has been preset to provide optimum bagging and mulching performance for years to come.

Only use a sharp blade that is in good condition. This will prevent the grass blades from becoming frayed and the lawn from turning yellow.

Mow in straight lines for a nice, clean look. The swaths should overlap each other by a few inches in order to avoid stripes.

It's important to keep the underside of the mower deck clean and remove grass build-up. This buildup will decrease mulching quality, and make it harder for the equipment to bag the grass.

Always mow along inclines (not up and down). You can prevent the lawn mower from slipping down by holding a position at an angle upwards. Select the cutting height according to the length of the grass. If necessary, mow a number of times so that you never cut more than 2 inches of grass in one go.

Turn off the engine before doing any checks on the blade. Keep in mind that the blade continues to rotate for a few seconds after the engine has been turned off. Never attempt to manually stop the blade.

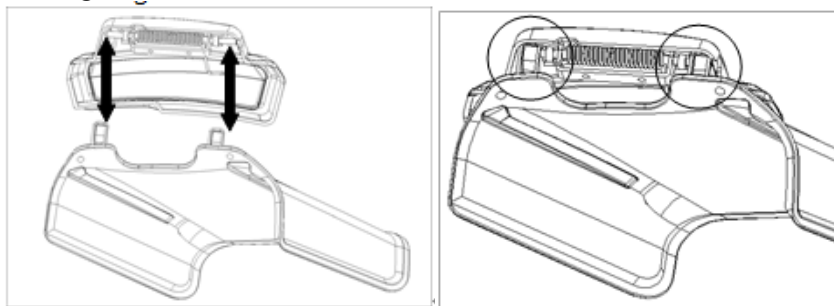
Regularly check to see if the blade is securely attached, is in good condition and is sharp. If the contrary

is the case, sharpen the blade or replace it. In the event that the blade strikes an object, immediately turn off the lawn mower and wait for the blade to come to a complete stop. Then inspect the condition of the blade and the blade mount. Replace any parts that are damaged.

USING AS SIDE DISCHARGE

You should fit the mulching adapter in order to use the side discharge.

1. On the side of the mower, lift the side discharge cover.
2. Slide two hooks of side discharge chute under hinge pin on the side discharge cover. Lower the side discharge cover.



Caution: Do not remove side discharge cover at any time.

USING AS A REAR BAGGER

To use the grass catcher to collect clippings while you are operating the mower.

1. Attached grass catcher following instruction in the lawn mower preparation. Grass clippings will automatically collect in bag as you run the mower. Operate mower until grass catcher is full.
2. Stop engine completely by releasing the engine start/stop lever. Make sure that the engine has come to a complete stop.
3. Lift rear discharge door and pull grass catcher up and away from the mower to remove the grass catcher. Dispose of the grass clippings and reinstall the grass catcher when complete.



Warning: If you strike a foreign object, stop the engine. Remove spark plug wire, thoroughly inspect mower for any damage, and repair damage before restarting and operating. Excessive vibration of the mower during operation is an indication of damage. The mower should be promptly inspected and repaired.

MAINTENANCE

Proper routine maintenance of this mower will help prolong the life of the machine.

Always observe safety rules when performing any maintenance.

The warranty on this lawn mower does not cover items that have been subjected to operator abuse or negligence. To receive full value from warranty, operator must maintain the lawn mower as instructed here.

Changing of engine-governed speed will void engine warranty.

All adjustments should be checked at least once each season.

Periodically check all fasteners and make sure these are tight.



Warning: Always stop engine, allow engine to cool, disconnect spark plug wire before performing any type of maintenance on your machine.

DECK CARE

It is important to clean underside of the mower deck after use to prevent the build-up of grass clippings or other debris. Follow steps below for proper cleaning.

1. Allow the engine to run until it is out of fuel. Do not attempt to pour fuel from the engine.
2. Disconnect spark plug wire.
3. Slowly tip mower so that it rests on the housing.
4. To prevent oil spills, always tip the mower so that the Air Filter is facing up.
5. Hold mower firmly and scrape and clean the underside of the deck with a suitable tool.
6. Gently lower the mower back on its wheels on the ground.

Warning: Never tip the mower more than 90° in any direction and do not leave the mower tipped for any length of time. Oil can drain into the upper part of the engine causing a starting problem.

MOWER BLADE

To ensure safe operation, have all blade sharpening, balancing and mounting work carried out by an authorized service center. To achieve optimal results, we recommend having the blade checked once a year.

If, in spite of all caution, the blade comes into contact with an obstacle, switch off the engine immediately and pull off the spark plug connector. Tilt the lawn mower to the rear and check the blade for damage. Always keep the side with the air cleaner facing up. Damaged or bent blades must be replaced. Never straighten a bent blade. Never work with bent or heavily worn blades as this will result in vibrations, causing further damage to the mower.



Warning: Risk of injury when working with a damaged blade.

CHECKING THE OIL

The oil capacity of the engine crankcase is 15.2 fl. oz.

Check the oil level of the engine according to the Recommended Maintenance Schedule.

The lawn mower should be checked before each use for proper oil level. This is a critical step for proper engine starting.

To check the oil level:

1. Make sure the lawn mower is on a level surface.
2. Clean around oil fill. Remove dipstick and wipe the dipstick with a clean rag. Insert the dipstick into the oil fill opening without screwing in. Remove the dipstick to check the oil mark. Add oil if the oil mark covers less than one half of the dipstick.
3. Slowly add more oil and repeat step 2 until the oil mark reaches to the top of dipstick. Do not over fill the crankcase.
4. Reinstall oil dipstick.

CHANGING/ADDING OIL

Change the oil according to the Recommended Maintenance Schedule. Change the oil when the engine is warm. This will allow for complete drainage. Change oil more often if operating under heavy load or high ambient temperatures. It is also necessary to drain the oil from the crankcase if it has become contaminated with water or dirt. The oil capacity of the engine is 15.2 fl.oz. Add oil when the oil level is low. For proper type and weight of oil refer to “GAS AND OIL FILL-UP” portion of the “OPERATION” section.

To refill the crankcase with oil, follow these steps:

1. Make sure the lawn mower is on a level surface. Tilting the lawn mower to assist in filling will cause oil to flow into engine areas and will cause damage. Keep lawn mower level!
2. Remove the dipstick from the engine.
3. Using a funnel or appropriate dispenser, add the correct amount of oil (15.2 fl.oz) into the crankcase.
4. Reinstall dipstick.

NOTE: Never dispose of used motor oil in the trash or down a drain. Please call a local recycling center or auto garage to arrange oil disposal.

AIR CLEANER MAINTENANCE

Routine maintenance of the air cleaner helps maintain proper airflow to the carburetor. Occasionally check that the air cleaner is free of excessive dirt. Refer to Recommended Maintenance Schedule. For air cleaner detail:

1. Open the air cleaner cover.
2. Remove the sponge-like element from the casing.
3. Wipe the dirt from inside the empty air cleaner casing.
4. Wash the sponge-like element in household detergent and warm water. Small amount of oil in the element is normal and necessary for the engine to work properly.
5. If necessary, replace the paper element.
6. Reinstall the sponge-like element in the air cleaner casing and reinstall the cover.

CAUTION: running the engine with dirty, damaged or missing air cleaner element will cause the engine to wear out prematurely.

SPARK PLUG MAINTENANCE

The spark plug is important for proper engine operation. A good spark plug should be intact, free of deposits, and properly gapped. Refer to Recommended Maintenance Schedule. To inspect the spark plug:

1. Remove spark plug boot. Be careful not to tear insulation or wire.
2. Unscrew the spark plug from the engine using the spark plug wrench provided. There is limited space for the wrench to turn. Use both rows of holes in the spark plug wrench to gain leverage to loosen the plug.

3. Visually inspect the spark plug for cracks or excessive electrode wear. Replace as necessary.
4. Measure the plug gap with a wire gauge. The gap should be 0.7 to 0.8 mm (0.028-0.031 in).
5. If re-using the spark plug, use a wire brush to clean any dirt from around the spark plug base then re-gap the spark plug.
6. Screw the spark plug back into the spark plug hole using the spark plug wrench. Do not over-tighten spark plug. Recommended tightening of spark plug is $\frac{1}{2}$ to $\frac{3}{4}$ of a turn after spark plug gasket contacts spark plug hole. Reinstall the spark plug boot.

Maintenance Schedule

Item	Action	Before each use	5 Hours of use or first month	First 25 hours of use	50 hours of use or every 6 months	100 hours of use or every year	150 hours of use or every two years
Blade	Inspect	x					
Blade mounting bolt	Inspect	x					
Engine oil	Check	x					
	Change		x		x ²	x	x
Air filter	Check	x					
	Clean			x ¹	x ¹	x ¹	
	Replace						x
Grass bag	Check	x					
Blade control operation	Check	x				x	
Spark plug	Check					x	
	Replace						x
Fuel tank	Clean					x	
Flywheel brake pad	Check					x	
Valve clearance	Check-adjust					x	
Fuel line	Check	Check every 2 years and replace if necessary					

1. Service more frequently when used in dusty areas.
2. Change engine oil every 25 hours when used under heavy load or in high outside air temperatures.

STORAGE

CAUTION: Never place any type of storage cover or tarp on the MOWER while it is still hot.

If the MOWER is being stored for extended periods of time (30 days or more), drain fuel tank and carburetor bowl.

When storing the mower for extended periods of time:

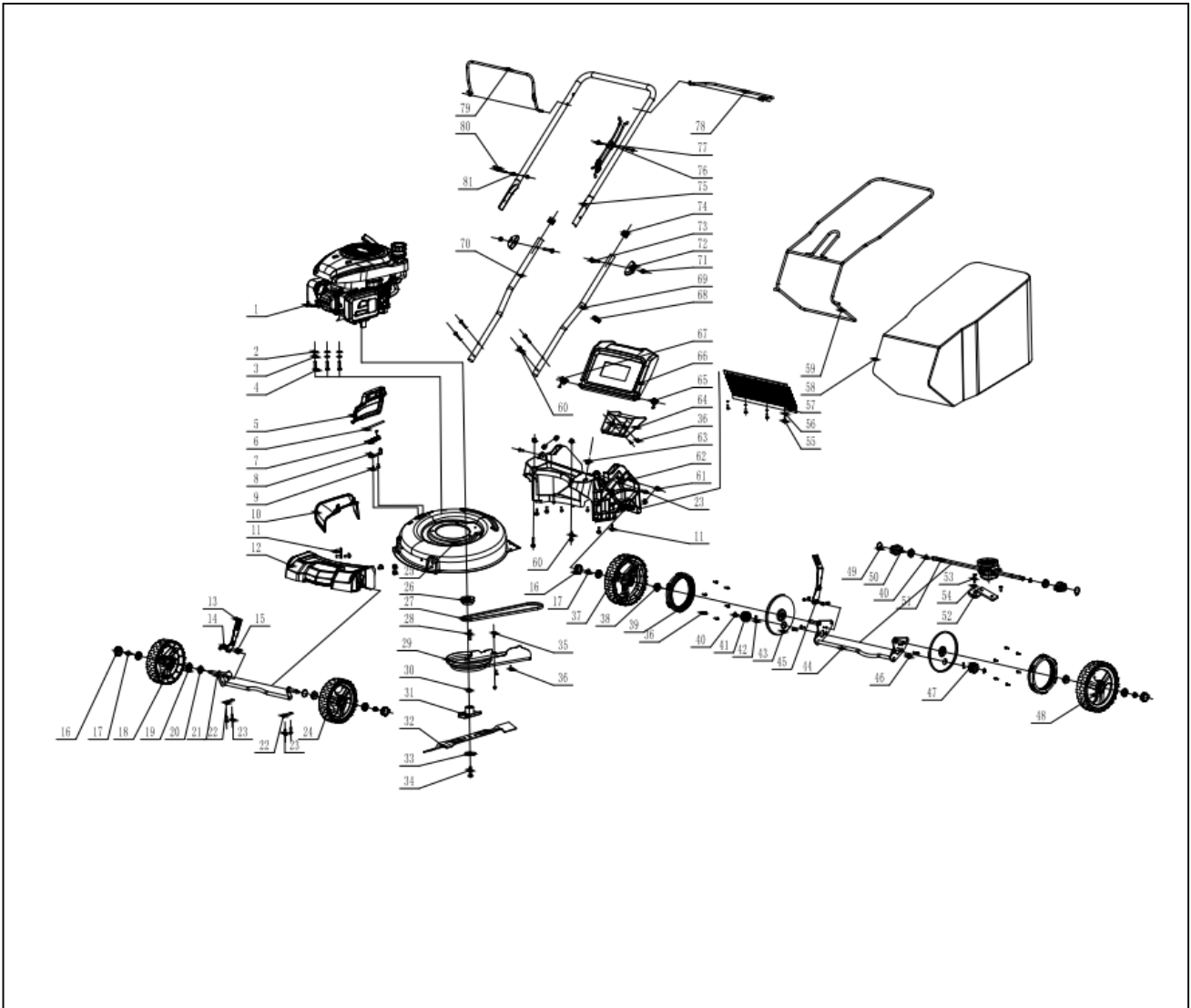
1. Start the engine and run it until the tank, carburetor bowl and fuel line are completely empty and the engine stalls.
2. Change the oil after each season.
3. Remove the spark plug. Use an oil-can to fill the cylinder with approx. 2 ml of oil. Slowly pull back the starter handle, which will bathe the cylinder wall with oil. Screw the spark plug back in.
4. Clean the cooling fins of the cylinder and the housing.
5. Be sure to clean the entire equipment to protect the paint.
6. Store the equipment in a well-ventilated place.

NOTE: LIMITED WARRANTY does not cover fuel system damage or engine performance problems resulting from neglected storage preparation.

TROUBLESHOOTING

Problem	Cause	Solution
Engine fails to start	Engine start/stop lever disengaged.	Engage engine start/stop lever.
	Spark plug wire disconnected.	Connect spark plug wire.
	Fuel tank empty or stale fuel.	Fill tank with clean, fresh gasoline.
	Engine not primed.	Press primer bulb.
	Faulty spark plug.	Clean, adjust gap, or replace.
	Blocked fuel line.	Clean fuel line.
Engine runs erratic.	Engine flooded.	Wait a few minutes to restart, do not prime.
	Spark plug wire loose.	Connect and tighten spark plug wire.
	Blocked fuel line or stale fuel.	Clean fuel line. Fill tank with clean, fresh gasoline. Drain carburetor bowl.
	Water or dirt in fuel system.	Drain fuel tank. Refill with fresh fuel.
Engine overheats.	Dirty air filter	Clean or replace the filter.
	Engine oil level low.	Fill crankcase with proper oil.
Idles poorly.	Air flow restricted.	Clean area around and on top of engine.
	Spark plug fouled, faulty, or gap too wide.	Reset gap or replace spark plug.
Excessive vibration/noise	Dirty air cleaner.	Clean or replace the filter.
	Blade loose or unbalanced.	Tighten and balance blade.
Mower will not mulch grass.	Bent/damaged blade.	Replace the blade.
	Wet grass.	Do not mow when grass is wet, wait until dry to cut.
Uneven cut.	Excessively high grass.	Mow once at a high cutting height, then mow again at desired height or make a narrower cutting path.
	Dull blade.	Sharpen or replace blade.

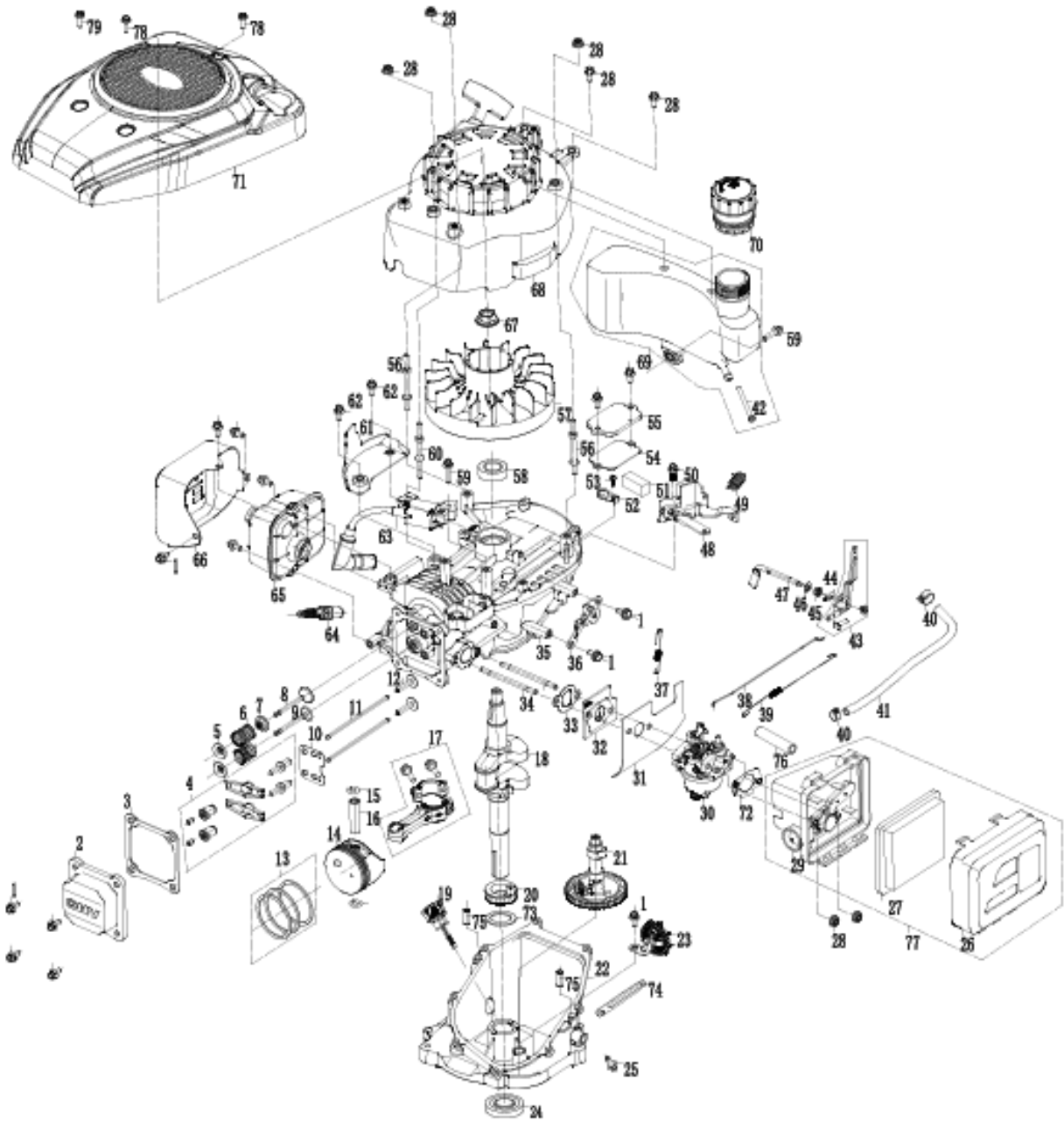
EXPLODED VIEW AND PARTS LIST



Item	Stock#	Description	Qty
1	303190285	Engine	1
2	303042023	Flat washer	3
3	303041022	Washer	3
4	303020265	Hex washer screw M8×30mm	3
5	203050381	Side discharge deflector	1
6	303090066A	Spring pin shaft	1
7	303130335	Torsional spring	1
8	303160456	Side discharge Bracket	1
9	303020468	Hex washer screw	3
10	203050382A	Side discharge chute	1
11	303010332	Self-tapping screw	10
12	20305039A	Front cover	1
13	303071058	Front adjustment spring leaf assembly	1
14	303030032	Nylon locknut M6	4
15	303020339	Hex washer screw M6X14	4
16	203050393	Wheel cover	4
17	303030077	Flange nylon nut M8	4
18	203050490	7"Right wheel	1
19	203021115	Front axle seaming	4
20	303043005	Axle keeper	2
21	303180934	Front axle seaming	1
22	303071034	Axle keeper	2
23	303010216	Self-tapping screw	6
24	203050491	7" left wheel	1
25	303180943A	21"steel deck	1
26	303160454	Small pulley	1
27	302040073	Belt	1
28	303110030	Square Key	1
29	203050396	Belt cover	1
30	303160741	Flat washer	1
31	303181119	Blade connector	1
32	303071297	21"blade	1
33	303043023A	Butterfly washer	1
34	303240517	Blade Bolt	1
35	303020341	Square bolt	1
36	303010095	Self tapping screw	16
37	203050492	8" Right wheel	1
38	303100065	Stamping bearings	6
39	203021209	internal gear	2
40	303050007	Shaft ring	4
41	303160470A	Advance gear Right	1

Item	Stock#	Description	Qty
42	303123017A	Cylindrical pin	2
43	203010851	Rear defense cover	2
44	303180942	Rear self drive axle seaming	1
45	303071059	Rear adjustment spring leaf	1
46	303010185	Tapping screw	4
47	303160471A	Advance gear Left	1
48	203050493	8"Left wheel	1
49	303050050	Shaft ring	2
50	203021208	Rear axle sleeve	2
51	303240504A	Drive assembly	1
52	303071049A	Fixed support	1
53	303020308	Hexagon head bolt	2
54	303020615	Nut	1
55	303010176	Self-tapping screw	6
56	303042043	Flat washer	4
57	302080050A	Rubber sheet	1
58	302120061	Grass collector	1
59	303080491	Collector holder	1
60	303020558	Self-tapping screw	6
61	303030087	Square Nut	7
62	203050400A	Rear base	1
63	302060025	Rubber stopper	1
64	203050389	Rear block cover	1
65	303130336	Rear cover torsional spring left	1
66	203050390A	Rear cover	1
67	303130337	Rear cover torsional Spring right	1
68	203040007	Wire clip	1
69	303080488B	Lower Tube L	1
70	303080503B	Lower tube R	1
71	303030026	Nut	2
72	203020336A	Knob	2
73	303020057	T bolt	2
74	302060012	End cap	2
75	303080489	Upper Tube	1
76	303200100	Cable	1
77	303030025	Cap nut	2
78	303080502	Drive control bar	1
79	303080509	Cutting control bar	1
80	303160531A	Hook	1
81	303030065	Nut	1

Engine explode view and part list



Item	Stock #	Description	Qty
1	5787.06012.00.01	Reel bolt (6×12)	14
2	T65.0001.001.00.00	Cylinder head cover(1P65FE)	1
3	T65.3000.001.00.00	Gasket ,cylinder head cover(1P65FE)	1
4	T65.0100.001.00.00	Rocker ass.(1P65FE)	2
5	P62.0060.001.00.00	Inlet valve spring seat	2
6	165.0040.001.00.00	Valve spring	2
7	P62.0085.001.00.00	Oil drip pan	2
8	T65.0020.001.00.00	Intake valve	1
9	T65.0030.001.00.00	Exhaust valve	1
10	T65.1480.001.00.00	Stop plate	1
11	T65.0160.001.00.00	Push rod	2
12	E65.1030.001.00.00	Tappet	2
13	165.0210.001.00.00	Piston ring assembly	1
14	E65.0200.001.00.00	Piston	1
15	160.0230.001.00.00	Piston pin clamp	2
16	160.0220.001.00.00	Piston pin	1
17	T65.0190.001.00.00	Connecting rod assembly	1
18	T65.0180.001.61.00	Crankshaft	1
19	E65.1230.001.03.00	Oil dipstick	1
20	T65.0180.001.62.02	Timing gear	1
21	T65.1040.001.62.00	Camshaft part	1
22	T65.1010.001.00.00	Crankcase cover	1
23	E65.7059.001.00.00	Governing gear assembly	1
24	P65.3150.006.00.00	Oil seal	1
25	5787.06018.00.01	Reel bolt	8
26	T65.2280.001.00.01	Air filter cover	1
27	T65.2280.001.00.04	Air filter elements	1
28	6177.06000.00.03	Locknut	5
29	T65.2280.001.00.05	Air Filter base	1
30	T65.2260.001.00.00	Carburetor assembly	1
31	E65.2301.001.00.00	Carburetor heat shield	1
32	T65.2300.001.00.00	Carburetor block	1
33	T65.3080.001.00.00	Intake gasket	1
34	0900.06089.00.01	Stud	2
35	T65.1000.001.00.00	Crankcase	1
36	E65.1180.001.00.00	Actiyator	1
37	T65.1150.001.00.00	Reset spring	1
38	T65.2275.001.00.00	Throttle lever	1
39	E65.1160.001.00.00	Vernier spring	1
40	458.2360.007.00.00	Clamp	2

Item	Stock #	Description	Qty
41	E65.2330.C01.00.00	Oil Tube	1
42	P70.3208.001.00.00	Filter tip	1
43	E65.1130.A01.00.00	Control arm	1
44	168.1120.001.00.00	Speed control swing bar lock	1
45	P70.3150.001.00.00	Seal	1
46	168.1110.001.67.00	Gasket	1
47	E65.1100.001.00.00	Speed Control swinging rod	1
48	T65.7070.001.00.00	Brake assembly	1
49	T65.7070.001.00.02	Brake spring	1
50	5787.06020.00.01	Reel bolt (6×20)	1
51	E65.7080.002.00.00	Oil strainer	1
52	E65.7061.001.00.00	Breather Valve	1
53	0818.04010.00.01	Cross head screw	1
54	T65.1352.001.00.00	Oil return chamber cover gasket	1
55	T65.1351.001.00.00	Oil return chamber cover	1
56	T65.7072.001.00.00	Start cover stud	2
57	T65.2040.001.00.00	Flywheel components	1
58	P70.3150.002.00.00	Oil seal	1
59	5789.06025.00.01	Reel bolt (6×25)	2
60	T65.7071.001.00.00	Ignition stud	1
61	T65.2230.001.00.00	Wind deflector	1
62	5787.06016.00.01	Reel bolt (6×16)	2
63	T65.2100.001.00.00	Igniter kit	1
64	E65.2160.001.00.00	Spark Plug	1
65	T65.2400.001.00.00	Muffer	1
66	T65.2402.001.00.00	Muffer cover	1
67	6177.14000.06.01	Reel bolt (M14X1.5)	1
68	T65.2000.001.00.03	Start assembly	1
69	T65.3200.C02.04.00	Fuel tank	1
70	E65.3200.C01.04.02	Fuel tank cap	1
71	E65.2000.001.04.01	Start pull plate	1
72	T65.3090.001.00.00	Air filter gasket	1
73	P70.0185.001.00.00	Crankshaft flat washer	1
74	188.1220.002.00.00	Tension disc	1
75	E65.3170.001.00.00	Loaction pin	2
76	E65.2370.001.00.00	Waste pipe	1
77	T65.2280.001.00.00	Air Filter assembly	1
78	5787.05010.20.01	Reel Bolt 5x10	3
79	5789.06012.00.01	Reel bolt 6x12	2

TWO (2) YEARS LIMITED WARRANTY

PowerSmart is committed to building equipment that will provide years of dependable service. Our warranties are consistent with our commitment and dedication to quality.

TWO (2) YEARS LIMITED WARRANTY OF POWER SMART PRODUCTS FOR HOME USE.

PowerSmart ("Seller") warrants to the original purchaser only, that all PowerSmart consumer power tools will be free from defects in material or workmanship for a period of two (2) years from date of purchase. If the tool(s) is used while providing professional or commercial services, the warranty coverage shall be for a maximum of (90) days.

SELLER'S SOLE OBLIGATION AND YOUR EXCLUSIVE REMEDY under this Two (2) Years Limited Warranty and, to the extent permitted by law, any warranty or condition implied by law, shall be the repair or replacement of parts, without charge, which are defective in material or workmanship and which have not been misused, carelessly handled, or improperly repaired, by person(s) other than an Authorized Seller or Service Center.

Please be aware that normal wear parts are not covered this warranty. This includes drive belts, blades and grass bags. Carburetor issues, and/or other damage found to be the result of stale, contaminated or compromised fuel, is not covered under this limited warranty.

To make a claim under this Limited Warranty, you must return the entire power tool product; transportation prepaid, to PowerSmart. The owner must include a legible copy of the original receipt, which shall list the date of purchase, along with the company's name where the product was purchased.

THIS LIMITED WARRANTY DOES NOT APPLY TO ANY ACCESSORY ITEMS INCLUDED WITH THE TOOL SUCH AS CIRCULAR SAW BLADES OTHER RELATED ITEMS OR TO ANY REPLACEMENT PARTS LISTED UNDER MAINTENANCE.

ANY IMPLIED WARRANTIES SHALL BE LIMITED IN DURATION TO TWO (2) YEARS FROM DATE OF PURCHASE. SOME STATES IN THE U.S. AND SOME CANADIAN PROVINCES DO NOT ALLOW LIMITATIONS ON HOW LONG AN IMPLIED WARRANTY LASTS, SO THE ABOVE LIMITATION MAY NOT APPLY TO YOU.

IN NO EVENT SHALL SELLER BE LIABLE FOR ANY INCIDENTAL OR CONSEQUENTIAL DAMAGES (INCLUDING BUT NOT LIMITED TO LIABILITY FOR LOSS OF PROFITS) ARISING FROM THE SALE OR USE OF THIS PRODUCT. SOME STATES IN THE U.S. AND SOME CANADIAN PROVINCES DO NOT ALLOW THE EXCLUSION OR LIMITATION OF INCIDENTAL OR CONSEQUENTIAL DAMAGES, SO THE ABOVE LIMITATION OR EXCLUSION MAY NOT APPLY TO YOU.

THIS LIMITED WARRANTY GIVES YOU SPECIFIC LEGAL RIGHTS, AND YOU MAY ALSO HAVE OTHER RIGHTS WHICH VARY FROM STATE TO STATE IN THE U.S., PROVINCE TO PROVINCE IN CANADA AND FROM COUNTRY TO COUNTRY.

Please call toll free at: 1-800-791-9458(M-F 9am – 5pm EST)

Email: support@amerisuninc.com

PLEASE SAVE ALL OF YOUR ORIGINAL RECEIPTS. THIS WARRANTY IS VOID WITHOUT THEM.

SOMMAIRES

Données Techniques	26
Introduction.....	27
Information de Sécurité	27
Procédures Générales de Sécurité	28
Instructions Importantes de Sécurité.....	29
Connaître votre Tondeuse à Gazon.....	31
Préparation de la Tondeuse à Gazon	32
Opération.....	34
Entretien.....	39
Stockage.....	42
Dépannage.....	43
Vue éclatée & Liste des Pièces.....	44
Garantie	48

DONNEES TECHNIQUES

21 POUCES 3-in-1 Tondeuse autopropulsée de gaz Modèle # DB2321S

Type de moteur :	4-temps, OHV, monocylindre avec refroidissement à air forcé
Déplacement :	161cc
Capacité de la boîte de carburant :	0.26Gallon
Capacité d'huile :	15.2fl.oz
Largeur de coupe :	21 pouce
Hauteur de coupe :	1.18 – 3 pouce
Réglage de la hauteur :	5 Position
Type d'entraînement :	propulsion
Roue :	Avant : 7 pouce / Arrière : 8 pouce
Dimension du paquet (L x L x H) :	33.3 x 22.6 x 17.3 pouces
Poids :	68livres

INTRODUCTIONS

Merci d'avoir acheté un produit de PowerSmart®, Ce manuel fournit des informations sur l'utilisation et la maintenance en toute sécurité de ce produit. Tous les efforts ont été faits pour assurer l'exactitude des informations contenues dans ce manuel. PowerSmart® se réserve à tout moment le droit de la modification de ce produit et des spécifications sans préavis.

Veillez garder ce manuel à la disposition de tous les utilisateurs pendant la durée de vie de la tondeuse à gazon.



Ce manuel contient des messages de spécialité pour attirer l'attention sur les problèmes de sécurité potentiels, les dommages causés par la tondeuse à gazon ainsi que des informations utiles sur l'utilisation et l'entretien. Veuillez lire avec attention toutes les informations pour éviter des blessures et des dommages de la machine.

QUESTIONS ? PROBLEMES ?

Veillez prendre contact avec notre service à la clientèle pour toute question et / ou tout commentaire, soit par courriel : support@amerisuninc.com, soit à l'appel en PCV (800)791-9458. Nous sommes disponibles de 9h à 17h HNE de lundi à vendredi pour vous aider à résoudre tous les problèmes que vous pourriez rencontrer.

AVIS CONCERNANT LES EMISSIONS

Ayant d'être certifié pour se conformer à la réglementation américaine des émissions, soit les règles élaborées par l'agence de protection de l'environnement des Etats-Unis (EPA) pour les petits équipements hors route, les moteurs sont certifiés pour fonctionner avec de l'essence ordinaire sans plomb, et peut comprendre les systèmes suivants de contrôle d'émission : (MM) les Modifications des Moteur et (CTV) Catalyseur à Trois Voies (si ainsi équipé).

INFORMATION DE SECURITE

Avant de fonctionner cette tondeuse à gazon, lisez et respectez tous les avertissements et instructions sur la tondeuse à gazon et dans ce guide de l'utilisateur.

NOTE : Les informations suivantes sur la sécurité ne sont pas destinées à couvrir toutes les conditions et situations possibles. Lisez le guide de l'ensemble de l'utilisateur pour obtenir des instructions de sécurité et de fonctionnement. Le non-respect des instructions et consignes concernant la sécurité peut entraîner des blessures graves, voire mortelles.

Ce symbole d'alerte de sécurité sert à identifier les informations de sécurité sur les dangers qui peuvent entraîner des blessures.



Un mot de signal (DANGER, AVERTISSEMENT ou ATTENTION) est utilisé avec le symbole d'alerte pour indiquer la probabilité et la gravité potentielle des blessures.

DANGER indique un danger qui, s'il n'est pas évité, entraînera la mort ou des blessures graves.

AVERTISSEMENT indique un danger qui, s'il n'est pas évité, entraînera la mort ou des blessures graves.

ATTENTION indique un danger qui, s'il n'est pas évité, peut entraîner des blessures mineures ou modérées.

ATTENTION indique une situation qui pourrait causer des dommages au moteur, lorsqu'il est utilisé sans le symbole d'alerte.

PROCEDURES GENERALES DE SECURITE

Pour toute question concernant les avis de danger et de sécurité figurant dans ce manuel ou sur le produit, veuillez appeler (800)791-9458 Lun-Ven 9-5 EST avant le fonctionnement de la machine.



DANGER : MONOXYDE DE CARBONE

L'utilisation d'un moteur dans la pièce PEUT VOUS TUER EN QUELQUES MINUTES.

L'échappement du moteur contient du monoxyde de carbone (CO), un gaz toxique que vous ne pouvez pas voir ou sentir. Si vous sentez l'échappement du moteur, vous respirez du CO. Or, même si vous ne sentez pas l'échappement, vous pourriez respirer du CO.

N'utilisez JAMAIS un moteur à l'intérieur d'une maison, d'un garage, d'un vide sanitaire ou d'une autre pièce partiellement fermée. Des niveaux mortels de monoxyde de carbone peuvent s'accumuler dans ces zones. L'utilisation d'un ventilateur, ou l'ouverture de fenêtres et / ou de portes, n'évacuera PAS correctement le CO ni fournira suffisamment d'air frais. UTILISEZ UNIQUEMENT un moteur à l'extérieur et loin des fenêtres, des portes et des événements. Ces ouvertures peuvent tirer l'échappement du moteur.

Même si vous utilisez un moteur correctement, le CO peut s'infiltrer dans la maison. Utilisez TOUJOURS une alarme de CO alimenté par pile ou batterie de secours dans la maison. Si vous commencez à vous sentir malade, étourdi ou faible après que le moteur a démarré, déplacez-vous à l'air frais. Visitez un docteur. Il est possible que vous ayez une intoxication au monoxyde de carbone.

AVERTISSEMENT : L'échappement de cette machine contient des produits chimiques reconnus par l'État de Californie comme pouvant causer le cancer, des malformations congénitales ou d'autres problèmes de reproduction.

AVERTISSEMENT : Ce moteur peut émettre des vapeurs d'essence hautement inflammables et explosives qui peuvent causer de graves brûlures ou même la mort en cas d'inflammation. Une flamme nue à proximité peut provoquer une explosion même si elle n'est pas directement en contact avec de l'essence.

- Ne fonctionnez pas la machine près d'une flamme nue.
- Ne fumez pas près du moteur.
- Toujours opérez sur une surface plane et ferme.
- Toujours arrêtez le moteur avant de faire le plein d'essence. Laissez le moteur refroidir en 2 minutes au moins avant de retirer le bouchon du réservoir. Desserrez lentement le bouchon pour relâcher la pression dans le réservoir.
- Ne remplissez trop le réservoir de carburant. L'essence peut se dilater pendant le fonctionnement. Ne remplissez pas jusqu'au sommet du réservoir. Permettez l'expansion d'essence.
- Toujours vérifiez le carburant déversé avant de l'utiliser.
- Faites vider le réservoir de carburant avant de stocker ou de transporter le moteur.

AVERTISSEMENT : Ce moteur produit de la chaleur lors de l'exécution. Les températures proches de l'échappement peuvent dépasser 150° F (65° C).

Ne touchez pas les surfaces chaudes. Faites attention aux étiquettes d'avertissement sur le moteur qui identifient les parties chaudes de la machine.

Avant de toucher le moteur ou les zones du moteur qui deviennent chaudes pendant l'utilisation, le laissez refroidir après l'utilisation.

ATTENTION : Une mauvaise utilisation de ce moteur peut l'endommager ou raccourcir sa durée de vie. N'utilisez le moteur que pour les fins prévues.

INSTRUCTIONS IMPORTANTES DE SECURITE

Opération Générale

Lisez, comprenez et suivez toutes les instructions sur la machine et dans le (s) manuel (s) avant de commencer.

1. Ne mettez pas les mains ou les pieds à proximité ou sous la machine. Restez à l'écart de l'ouverture de décharge en tout temps.
2. Autorisez uniquement les adultes responsables, familiarisés avec les instructions, à utiliser cette machine.
3. Nettoyez la zone des objets tels que les pierres, les fils, les jouets, etc., qui pourraient être projetés par la lame. Restez derrière la poignée lorsque le moteur est en marche.
4. Assurez-vous que des spectateurs sont chassés de la zone avant le démarrage. Arrêtez la machine si quelqu'un entre dans la zone.
5. N'utilisez pas la machine aux pieds nus ou en portant des sandales. Toujours portez des chaussures substantielles.
6. Ne pas tirer la machine vers l'arrière sauf si absolument nécessaire. Toujours regardez en bas, en arrière et en avant tout en reculant la machine.
7. Ne dirigez jamais le matériel déchargé vers personne. Évitez de décharger du matériel contre un mur ou une obstruction. Le matériel peut ricocher vers l'opérateur. Arrêtez la lame lorsque vous traversez des surfaces de gravier.
8. N'utilisez pas la machine sans le dispositif de ramassage d'herbe, la protection anti-décharge, la protection arrière ou d'autres dispositifs de protection de sécurité en place et en état de marche.
9. Ne laissez jamais une machine en marche sans surveillance.
10. Arrêtez le moteur et attendez que la lame s'arrête complètement avant de nettoyer la machine, de retirer le bac de ramassage ou de déboucher la protection anti-décharge.
11. Faites fonctionner la machine uniquement en jour ou à la lumière artificielle.
12. N'utilisez pas la machine sous l'influence de l'alcool ou des drogues.
13. N'utilisez jamais la tondeuse dans l'herbe humide. Prenez garde à vos pieds ; marchez, ne courez jamais.
14. Désengagez le système d'entraînement, s'il en est équipé, avant de démarrer le moteur.
15. Si la machine commence à vibrer anormalement, arrêtez le moteur et vérifiez immédiatement la cause. La vibration est généralement un avertissement de problème.
16. Toujours portez des lunettes de protection lors de l'utilisation de la machine.
17. Lisez les instructions du fabricant pour le bon fonctionnement et l'installation des accessoires. N'utilisez que des accessoires approuvés par le fabricant.

Opération sur la pente

Les pentes sont un facteur important lié aux glissades et chutes, qui peuvent entraîner des blessures graves. L'opération sur toutes les pentes nécessite une prudence supplémentaire. Si vous vous sentez mal à l'aise sur une pente, ne la tondez pas

1. Tondez sur la face des pentes ; jamais de haut en bas. Soyez extrêmement prudent lorsque vous changez de direction sur les pentes.
2. Surveillez les trous, les ornières, les bosses, les rochers ou d'autres objets cachés. Un terrain accidenté pourrait causer un accident de glissade et de chute. L'herbe haute peut cacher les obstacles.
3. Ne tondez pas sur de l'herbe mouillée ou des pentes excessivement abruptes. Une mauvaise position peut causer un glissement et par conséquent un accident.
Ne tondez pas près des tombants, des fossés ou des remblais. Vous pourriez perdre votre point d'appui ou l'équilibre.

Enfants

Une blessure grave peut se produire si l'opérateur n'est pas attentif à la présence d'enfants dans la zone immédiate. Les enfants sont souvent attirés par l'activité de fauche. Ne supposez jamais que les enfants resteront là où vous les avez vus pour la dernière fois.

1. Gardez les enfants hors de la zone de tonte et sous la surveillance d'un adulte responsable autre que l'opérateur même.
2. Soyez vigilant et éteignez la tondeuse si un enfant pénètre dans la zone.
3. Ne permettez jamais aux enfants de moins de 16 ans d'utiliser la tondeuse à gazon.
4. Soyez particulièrement prudent lorsque vous approchez de coins aveugles, d'arbustes, d'arbres ou d'autres objets susceptibles de bloquer la vue d'un enfant.

Service

1. Manipulation en sécurité de l'essence.
2. Pour éviter des blessures corporelles ou des dommages matériels, faites attention lors de la manipulation de l'essence. L'essence est extrêmement inflammable et les vapeurs sont explosives.
3. Éteignez toutes les cigarettes, cigares, pipes et autres sources d'ignition.
4. Utilisez uniquement un conteneur de carburant portable conforme à l'agence de protection de l'environnement des Etats-Unis.
5. N'enlevez jamais le bouchon d'essence ou ajoutez du carburant lorsque le moteur tourne. Laissez le moteur refroidir avant de faire le plein.
6. N'essayez jamais de faire le plein à l'intérieur.
7. Ne stockez jamais la machine ou le réservoir de carburant à proximité d'une flamme nue, d'une étincelle ou d'une veilleuse comme sur un chauffe-eau ou sur d'autres appareils.
8. Ne remplissez jamais les conteneurs à l'intérieur d'un véhicule ou sur un camion ou une remorque avec une doublure en plastique. Toujours placez les conteneurs sur le sol loin de votre véhicule avant de les remplir.
9. Retirez l'équipement à essence du camion ou de la remorque et faites-le plein d'essence au sol. Si impossible, faites-le plein à l'aide d'un contenant portatif plutôt que d'une buse à essence.
10. Gardez la buse en contact avec le rebord de l'ouverture du réservoir de carburant ou du contenant jusqu'à ce que le remplissage soit terminé. N'utilisez pas un dispositif de verrouillage des buses.
11. Si du carburant est renversé sur les vêtements, changez immédiatement de vêtements.
12. Ne remplissez jamais trop le réservoir de carburant. Remettez le bouchon d'essence et le bien serrez.

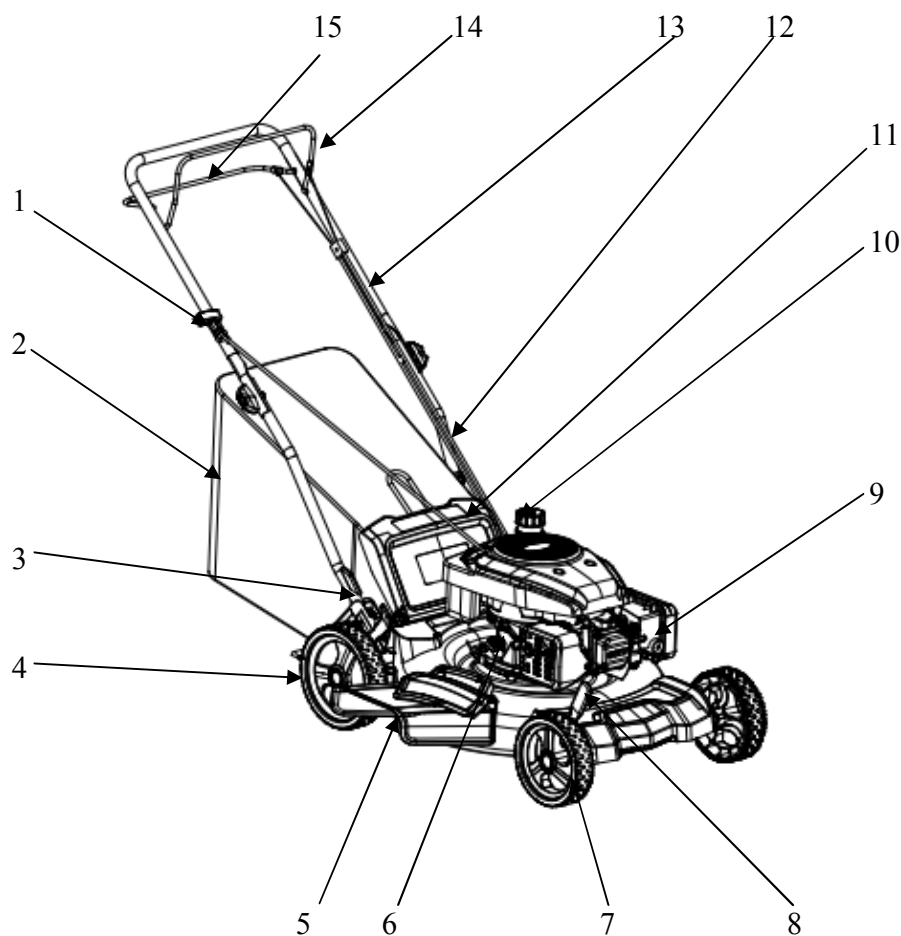
Service Général

1. Ne fonctionnez jamais la machine dans une zone fermée.
2. Assurez-vous que tous les écrous et boulons sont bien serrés et par conséquent que l'équipement est en bon état de fonctionnement.
3. N'altérez jamais les dispositifs de sécurité. Vérifiez régulièrement leur bon fonctionnement.
4. Gardez la machine exempte d'herbe, de feuilles ou de toute autre accumulation de débris. Nettoyez le déversement d'huile ou de carburant et enlevez les débris imbibés de carburant. Laissez refroidir la machine avant de la stocker.
5. Si vous heurtez un corps étranger, arrêtez et inspectez la machine. Réparez si nécessaire, avant de commencer.
6. N'effectuez jamais de réglages ou de réparations sur le moteur en marche. Débranchez le fil de la bougie pour éviter tout démarrage involontaire.
7. Vérifiez fréquemment les composants du collecteur d'herbe et le protecteur de décharge et remplacez-les si nécessaire par des pièces recommandées par le fabricant.

8. Les lames de la tondeuse sont coupantes. Enveloppez-la ou portez des gants. Soyez très prudent lors de l'entretien.
9. Ne changez pas le réglage du régulateur de moteur ou ne fonctionnez pas le moteur à une survitesse.
10. Conservez ou remplacez les étiquettes de sécurité et d'instructions, si nécessaire.

CONNAITRE VOTRE TONDEUSE A GAZON

Veillez utiliser l'illustration ci-dessous pour vous familiariser avec l'emplacement et la fonction des composants qui contrôlent votre tondeuse à gazon.



- | | | | |
|---|---|----|---|
| 1 | La Poignée du Démarreur en Recul | 8 | Le Levier de Réglage pour Découper le Hauteur |
| 2 | Collecteur d'herbe | 9 | ampoule d'amorçage |
| 3 | Le Levier de Réglage pour Découper le Hauteur | 10 | Poignée Supérieure |
| 4 | Roue Arrière | 11 | Porte de décharge arrière |
| 5 | Couvercle Latérale de Décharge | 12 | Levier de Démarrage / Arrêt du Moteur |
| 6 | Jauge d'Huile | 13 | Levier de Démarrage / Arrêt du Moteur |
| 7 | Roue Avant | 14 | le bouchon du réservoir de carburant |
| | | 15 | barre de contrôle d'entraînement |

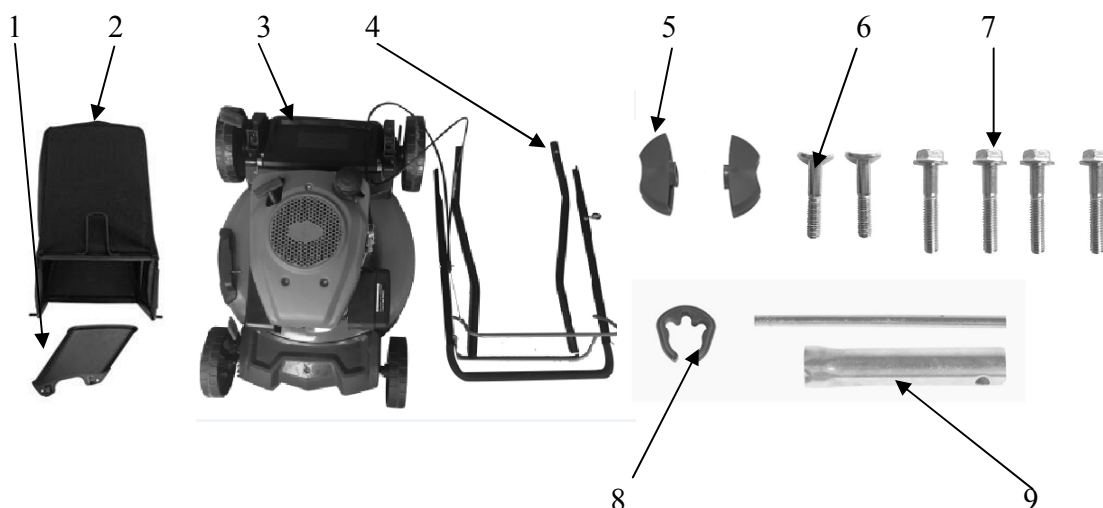
PREPARATION DE LA TONDEUSE A GAZON

La section suivante décrit les étapes nécessaires pour préparer la tondeuse à gazon pour utilisation. Si, vous n'êtes pas sûr de savoir comment effectuer l'une des étapes après avoir lu cette section, veuillez appeler (800) 791-9458 Lun-Ven 9-5 EST pour le service à la clientèle. Le défaut d'effectuer ces étapes correctement peut endommager la tondeuse à gazon ou raccourcir sa durée de vie.

DEBALLAGE

Outils nécessaires (non inclus): tournevis # 2PH, couteau utilitaire.

Déballer la tondeuse à gazon et toutes ses pièces, comparez-les avec la liste ci-dessous. Ne jetez pas le carton ou tout autre emballage avant que le moteur ne soit complètement assemblé.

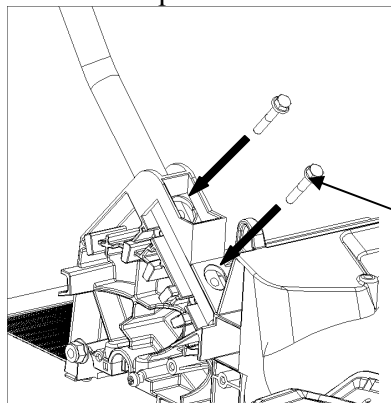


- 1 Goulotte latérale d'évacuation
- 2 Collecteur d'herbe
- 3 Le moteur à gazon avec la poignée supérieure
- 4 La poignée inférieure
- 5 Bouton (2)

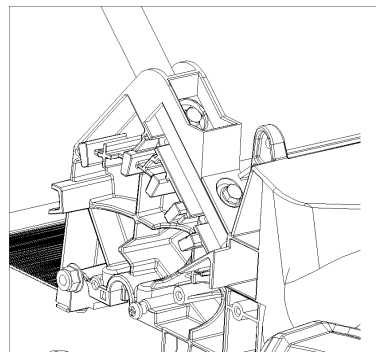
- 6 Boulon M8 (2)
- 7 Boulon à bride M6 (4)
- 8 Clip de câble
- 9 Clé de bougie d'allumage

ATTACHER LA POIGNÉE INFÉRIEURE ET SUPÉRIEURE

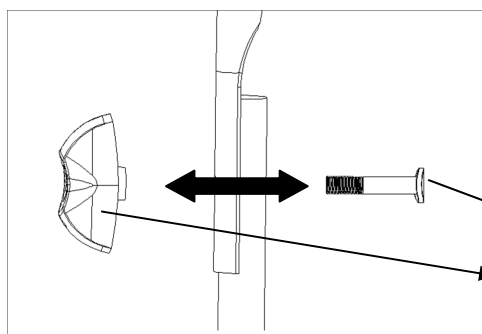
1. Prenez la poignée inférieure et alignez le trou de la poignée inférieure avec le trou sur le support de la poignée.
2. Fixez la poignée inférieure avec le manchon avec les boulons à bride hexagonale M6 fournis de chaque côté.



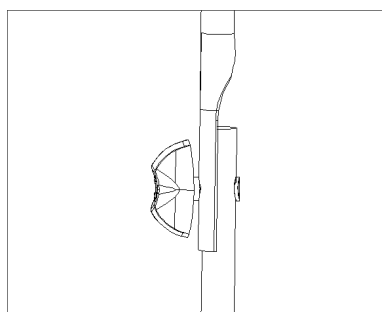
Les
boulons à bride
hexagonale M6



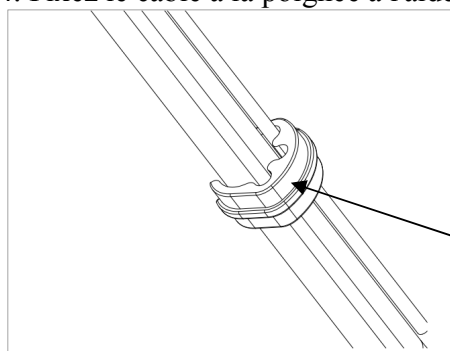
3. Tirez la poignée supérieure et verrouillez-la avec des boulons, un bouton sur les deux côtés.



Bouton, boulon

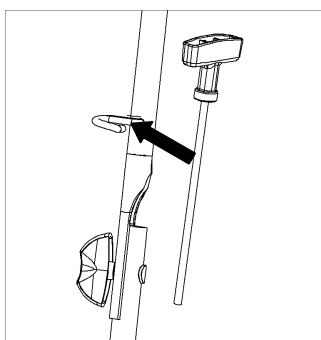


4. Fixez le câble à la poignée à l'aide d'un clip de câble

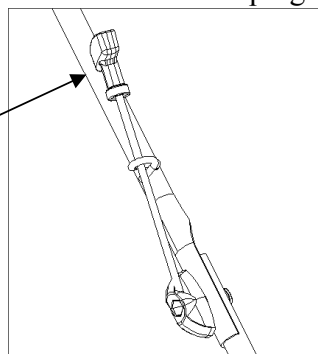


clip de câble

5. Insérez le câble de la poignée du démarreur en recul dans le crochet fourni sur la poignée supérieure.

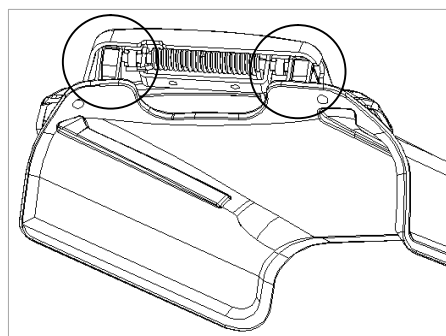
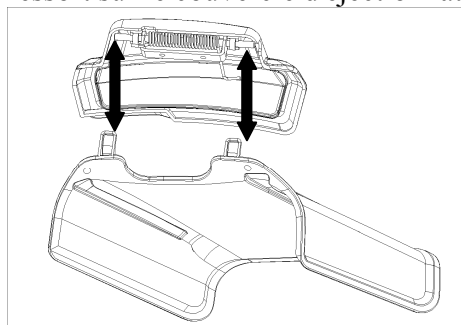


La poignée du
démarreur en recul



CHUTE LATÉRALE DE DÉCHARGE

1. Soulevez le couvercle de décharge à ressort situé sur le côté de la tondeuse.
2. Faites glisser deux crochets de la goulotte d'éjection latérale sous l'axe de charnière et abaissez le ressort sur le couvercle d'éjection latérale.



Attention : N'essayez pas de retirer le couvercle latéral de décharge à ressort monté en permanence à tout moment.

AJUSTER LA HAUTEUR DE DECOUPE



Avertissement ! Les réglages de la hauteur de découpe ne doivent être effectués qu'après l'arrêt complet du moteur et des lames !

Il est toujours préférable de commencer à couper votre pelouse avec une hauteur de pont plus élevée pour éviter de scalper votre pelouse.

La hauteur de découpe est ajustée avec un seul levier.

Actionnez le levier de réglage et tirez-le dans la position souhaitée. Assurez-vous que le levier se verrouille en position.

OPÉRATION

REPLISSAGE DE GAZ ET D'HUILE

Le moteur est expédié sans huile ni essence. Assurez-vous d'ajouter de l'huile et de l'essence avant de démarrer le moteur.

1. Ajouter de l'huile avant de démarrer la tondeuse pour la première fois.
2. Faites le plein d' essence conformément aux instructions .



Avertissement: Faites très attention lorsque vous manipulez de l'essence. L'essence est extrêmement inflammable et ses vapeurs sont explosives. Ne remplissez jamais la machine à l'intérieur ou lorsque le moteur est chaud ou en marche. Éteignez toutes les cigarettes, cigares, pipes et autres sources d'inflammation potentielles.

Huile moteur

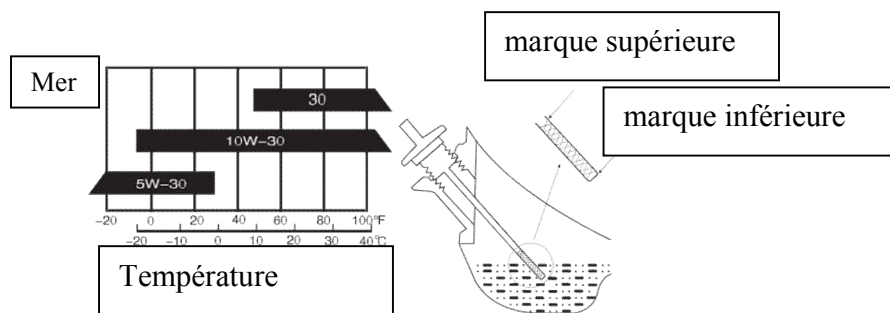
L'huile moteur est un facteur clé dans la détermination des performances du moteur. Ne appliquez pas d' huile moteur contenant des additifs ni d' huile moteur à 2 temps à essence, car ils ne lubrifient pas suffisamment et peuvent raccourcir la durée de vie du moteur.



Vérifiez le moteur arrêté avec un moteur à niveau.

Huile moteur recommandée: 10W-30

Comme la viscosité varie avec les régions et les températures, une huile de classe SF est recommandée.



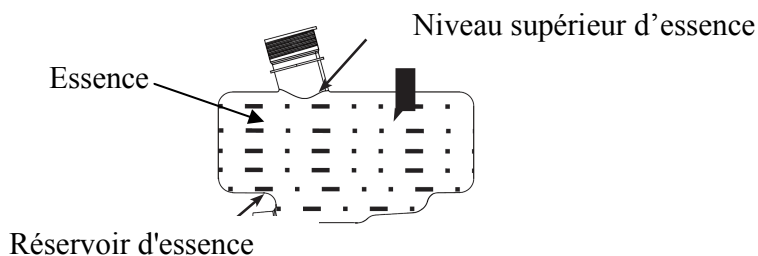
Méthode de vérification

- 1) Retirez la jauge et nettoyez-la.
- 2) Réinsérez la jauge dans l'orifice de remplissage d'huile sans visser le levier de contrôle de l'huile.
- 3) Si le niveau d'huile est trop bas, ajoutez l'huile moteur recommandée jusqu'au niveau supérieur d'huile.
- 4) Réinstallez la jauge.

Ajout d'essence

Retirez le bouchon du réservoir de carburant et vérifiez le niveau de carburant.

Si le niveau est trop bas, faites le plein de carburant, n'oubliez pas d'ajouter du carburant sans dépasser le niveau supérieur du carburant.



1. L'essence est extrêmement inflammable et peut exploser dans certaines conditions.
2. Faites le ravitaillement dans une zone de ventilation adéquate avec le moteur arrêté. Ne fumez pas et ne laissez pas de flammes ou d'étincelles dans la zone de stockage de l'essence ou de remplissage du réservoir.
3. Ne remplissez pas excessivement le réservoir de carburant (le goulot de remplissage ne doit pas contenir de carburant). Après avoir fait le plein, assurez-vous que le bouchon du réservoir de carburant est bien en place.
4. Veillez à ne pas renverser de carburant lors du ravitaillement. Le carburant ou les vapeurs de carburant renversés peuvent s'enflammer. Si du carburant est renversé, assurez-vous que la zone est sèche avant de démarrer le moteur.

5. Évitez le contact répété ou prolongé avec la peau ou la respiration de vapeurs de carburant. Tenir hors de portée des enfants.

Utilisez de l'essence sans plomb fraîche (dans les 30 jours suivant l'achat) avec un indice d'octane minimum de 87. Ne mélangez pas l'huile avec de l'essence.

Pour ajouter de l' essence, procédez comme suit:

1. Assurez-vous que la tondeuse est sur une surface plane.
2. Dévissez le bouchon du réservoir de carburant et mettez-le de côté. REMARQUE: le bouchon du réservoir peut être serré et difficile à dévisser.
3. Ajoutez lentement de l'essence sans plomb dans le réservoir. Veillez à ne pas trop remplir. La capacité du réservoir de carburant est de 0,26 gallons.

REMARQUE: Ne remplissez pas le réservoir de carburant au maximum. L'essence augmentera et débordera pendant l'utilisation même avec le bouchon d'essence en place.

4. Remettez le bouchon en place et essuyez toute essence renversée avec un chiffon sec.

IMPORTANT:

- N'utilisez jamais de mélange huile / essence.
- N'utilisez jamais d'essence ancienne.
- Évitez que le réservoir d'essence ne soit sali ou incrusté.
- L'essence peut vieillir dans le réservoir et en rendre le démarrage difficile. N'entreposez jamais la tondeuse à gazon pendant de longues périodes avec du carburant dans le réservoir ou le carburateur.

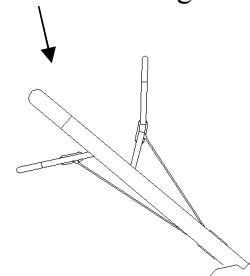
DÉMARRAGE / ARRÊT DU MOTEUR

arrêt du moteur

Cette tondeuse à gazon est équipée d'un levier de démarrage / d'arrêt du moteur pour empêcher le démarrage involontaire et assurer un fonctionnement sûr. Relâcher ce levier arrêtera rapidement la lame en cas de danger. Le levier doit être actionné avant le démarrage de la tondeuse à gazon. Lorsque le levier de démarrage / d'arrêt du moteur est relâché, il doit revenir à sa position initiale.

Avant de commencer à tondre, vous devez effectuer ce processus plusieurs fois afin de vous assurer que les câbles du levier et de l'actionneur fonctionnent correctement. Répétez le test plusieurs fois après le démarrage du moteur. Lorsque le levier de démarrage / d'arrêt du moteur est relâché, le moteur doit s'arrêter en quelques secondes. Lorsque le levier de démarrage / d'arrêt du moteur est relâché, le moteur doit s'arrêter en quelques secondes.

Levier de démarrage /



Avertissement : La lame commence à tourner dès que le moteur est démarré.

DÉMARRER LE MOTEUR

Pour démarrer manuellement le moteur, procédez comme suit :

1. Vérifiez les niveaux d'huile et de carburant.
2. Appuyez sur l'amorce pour 3 fois.
3. Tirez lentement la poignée du démarreur de recul jusqu'à ce qu'une légère résistance soit ressentie, puis tirez rapidement pour démarrer le moteur. Remettez le cordon doucement dans le démarreur de recul. N'autorisez jamais le cordon à reculer.
4. Si le moteur ne parvient pas à démarrer, répétez l'étape 3. **REMARQUE** : après avoir échoué plusieurs fois pour démarrer le moteur, consultez le guide de dépannage avant de tenter à nouveau. Si les problèmes persistent, appelez le service pour la clientèle.

ARRÊTEZ LE MOTEUR

Relâchez le levier de démarrage / arrêt du moteur pour arrêter le moteur.

BARRE DE CONTRÔLE D'ENTRAÎNEMENT

Si vous appuyez sur la barre de contrôle d'entraînement, l'embrayage sera fermé et la tondeuse commencera à bouger avec le moteur en marche, relâchez la barre de contrôle de l'entraînement à temps pour arrêter la tondeuse à gazon en mouvement. Entraînez-vous à démarrer et à vous arrêter avant d'utiliser la tondeuse pour la première fois, jusqu'à ce que vous maîtrisiez bien le contrôle de la tondeuse.

La tondeuse

L'accélérateur du moteur de votre tondeuse a été pré-réglé pour offrir des performances d'ensachage et de paillage optimales pour les années à venir.

N'utilisez qu'une lame tranchante en bon état. Cela empêchera les brins d'herbe de s'effiloche et la pelouse de jaunir.

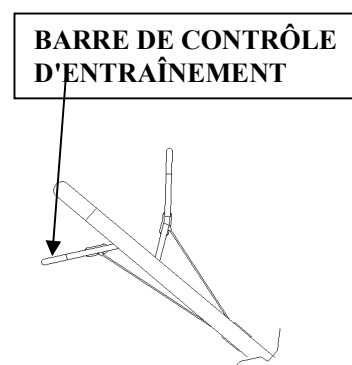
Tondez dans les lignes droites pour un regard agréable et propre. Les andains doivent se chevaucher de quelques centimètres pour éviter les rayures.

Il est important de garder le dessous de la tondeuse propre et d'enlever l'accumulation de gazon.

Toujours tondez le long des pentes (pas de haut en bas). Vous pouvez empêcher la tondeuse de glisser en tenant une position inclinée vers le haut. Sélectionnez la hauteur de coupe en fonction de la longueur de l'herbe. Si nécessaire, tondez un certain nombre de fois afin de ne jamais couper plus de 2 pouces d'herbe en une seule fois.

Éteignez le moteur avant de faire des vérifications sur la lame. Gardez à l'esprit que la lame continue de tourner pendant quelques secondes après l'arrêt du moteur. N'essayez jamais d'arrêter manuellement la lame.

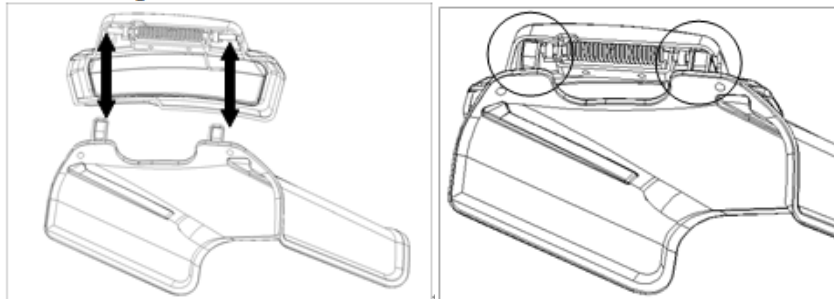
Vérifiez régulièrement si la lame est solidement fixée, en bon état et bien affûtée. Si dans cas contraire, affûtez la lame ou remplacez-la. Dans le cas où la lame heurte un objet, éteignez immédiatement la tondeuse à gazon et attendez que la lame s'arrête complètement. Inspectez ensuite l'état de la lame et du support de lame.



UTILISER COMME DÉCHARGE LATÉRALE

Vous devez installer l'adaptateur de déchiquetage afin d'utiliser la décharge latérale.

1. Sur le côté de la tondeuse, soulevez le couvercle latéral de déchargement.
2. Faites glisser deux crochets de la goulotte d'éjection latérale sous l'axe de charnière du couvercle d'éjection latérale. Abaissez le couvercle latéral de décharge.



Attention : Ne retirez pas le couvercle latéral de décharge à aucun moment.

Utilisateur comme ensacheur arrière

Utiliser le collecteur d'herbe pour collecter l'herbe coupée pendant que vous utilisez la tondeuse à gazon.

1. Attachez le collecteur d'herbe en suivant les instructions de la préparation de la tondeuse à gazon.
L'herbe coupée s'accumule automatiquement dans le sac lorsque vous mettez la tondeuse en service.
Faites fonctionner la tondeuse jusqu'à ce que le collecteur d'herbe soit plein.
2. Arrêtez complètement le moteur en relâchant le levier de démarrage / arrêt du moteur. Assurez-vous que le moteur est complètement arrêté.
3. Soulevez la trappe de déchargement arrière et sortez le collecteur d'herbe de la tondeuse pour l'enlever.
Jetez les débris d'herbe et réinstallez le collecteur d'herbe lorsque vous avez terminé.



Avertissement : Si vous heurtez un corps étranger, arrêtez le moteur. Retirez le fil de bougie d'allumage, inspectez soigneusement la tondeuse pour tout dommage potentiel, et réparez les dommages avant de redémarrer et de fonctionner. Des vibrations excessives de la tondeuse pendant le fonctionnement est une indication de dommages. La tondeuse doit être inspectée et réparée rapidement.

ENTRETIEN

Un entretien de routine de cette tondeuse aidera à prolonger la durée de vie de la machine.

Respectez toujours les règles de sécurité lors de toute opération de maintenance.

La garantie sur cette tondeuse à gazon ne couvre pas les articles qui ont fait l'objet d'abus ou de négligence de la part de l'opérateur. Pour recevoir la vanne complète de la garantie, l'opérateur doit entretenir la tondeuse à gazon comme indiqué ici.

Le changement de la vitesse du moteur annulera la garantie du moteur.
Tous les ajustements doivent être vérifiés au moins une fois par saison.
Vérifiez périodiquement toutes les fixations et assurez-vous qu'elles sont bien serrées.



Avertissement : Arrêtez toujours le moteur, laissez le moteur refroidir, débranchez le fil de la bougie avant d'effectuer tout type de maintenance sur votre machine.

SOIN DE PLATE-FORME

Il est important de nettoyer le dessous de la tondeuse après utilisation pour éviter l'accumulation de tontes de gazon ou d'autres débris. Suivez les étapes ci-dessous pour un nettoyage approprié.

7. Laissez le moteur tourner jusqu'à ce qu'il soit à court de carburant. N'essayez pas de verser du carburant dans le moteur.
8. Débrancher le fil de la bougie d'allumage. Reportez-vous au manuel d'utilisation du moteur.
9. Faites basculer la tondeuse lentement pour qu'elle repose sur le boîtier.
10. Pour éviter les déversements d'huile, inclinez toujours la tondeuse de manière à ce que le filtre à air soit orienté vers le haut.
11. Tenez fermement la tondeuse et grattez et nettoyez le dessous du pont avec un outil approprié.
12. Abaissez doucement la tondeuse sur ses roues au sol.

Avertissements : Ne poussez jamais la tondeuse à plus de 90 ° dans n'importe quelle direction et ne laissez pas la tondeuse enfoncée pendant un certain temps. De l'huile peut s'écouler dans la partie supérieure du moteur, entraînant un problème de démarrage.

LAME DE TONDEUSE

Pour assurer un fonctionnement en toute sécurité, faites effectuer tous les travaux d'aiguisage, d'équilibrage et de montage de la lame par un centre de service agréé. Pour obtenir des résultats optimaux, nous recommandons de faire vérifier la lame une fois par an.

Si, malgré toute précaution, la lame entre en contact avec un obstacle, coupez immédiatement le moteur et débranchez le connecteur de la bougie d'allumage. Inclinez la tondeuse à gazon vers l'arrière et vérifiez que la lame n'est pas endommagée. Toujours gardez le côté avec le filtre à air vers le haut. Les lames endommagées ou pliées doivent être remplacées. Ne redressez jamais une lame pliée. Ne travaillez jamais avec des lames tordues ou très usées, car cela entraînerait des vibrations et endommagerait davantage la tondeuse.



Avertissement : Risque de blessure en travaillant avec une lame endommagée.

VERIFIER L'HUILE

La quantité d'huile du carter moteur est de 15,2 fl.oz.

Vérifiez le niveau d'huile du moteur en fonction du programme d'entretien recommandé.

La tondeuse à gazon doit être vérifiée avant chaque utilisation pour vérifier le niveau d'huile approprié.

Ceci est une étape critique pour un démarrage correct du moteur.

Pour vérifier le niveau d'huile:

1. Assurez-vous que la tondeuse à gazon est sur une surface plane
2. Nettoyez l'autour de l'orifice de remplissage d'huile. Retirez la jauge et essuyez la jauge avec un chiffon propre. Insérez la jauge dans l'orifice de remplissage d'huile sans visser dedans. Retirez la jauge pour vérifier le repère d'huile. Ajoutez de l'huile si la marque d'huile couvre moins de la moitié de la jauge.
3. Ajoutez peu à peu d'huile et répétez l'étape 2 jusqu'à ce que la marque d'huile atteigne le sommet de la jauge. Ne pas trop remplir le carter.
4. Réinstallez la jauge d'huile.

CHANGEMENT/AJOUT D'HUILE

Changez l'huile en fonction du programme d'entretien recommandé. Changez l'huile lorsque le moteur est chaud. Cela permettra un drainage complet. Changez l'huile plus souvent si le fonctionnement est sous forte charge ou si la température ambiante est élevée. Il est également nécessaire de vidanger l'huile du carter s'il a été contaminé par de l'eau ou de la saleté. La quantité d'huile du moteur est de 15,2 fl.oz.

Ajouter de l'huile lorsque le niveau d'huile est bas. Pour connaître le type et le poids appropriés de l'huile, reportez-vous à la section «REPLISSAGE DE GAZ ET D'HUILE» de la section «FONCTIONNEMENT».

Pour remplir le carter avec de l'huile, suivez les étapes suivantes:

1. Assurez-vous que la tondeuse à gazon est sur une surface plane. Inclinant la tondeuse à gazon pour faciliter le remplissage provoquera un écoulement d'huile dans les zones du moteur et causera des dommages. Gardez le niveau de la tondeuse à gazon!
2. Retirez la jauge du moteur.
3. À l'aide d'un entonnoir ou d'un distributeur approprié, ajoutez la quantité appropriée d'huile (15.2 fl.oz) dans le carter.
4. Réinstallez la jauge.

REMARQUE: Ne jetez jamais de l'huile de moteur usée dans la poubelle ou dans un égout.

Veillez appeler un centre de recyclage local ou un garage automobile pour organiser l'élimination d'huile.

ENTRETIEN DE FILTRE À AIR

L'entretien régulier du filtre à air aide à maintenir un flux d'air adéquat vers le carburateur. Vérifiez de temps en temps que le filtre à air est exempt de saleté excessive. Voir le calendrier de maintenance recommandé. Pour les détails du filtre à air:

1. Ouvrez le couvercle du filtre à air.
2. Retirez l'élément en forme d'éponge du boîtier.
3. Essuyez la saleté à l'intérieur du boîtier du filtre à air vide.
4. Lavez l'élément en forme d'éponge à l'aide d'un détergent ménager et de l'eau chaude. Une petite quantité d'huile dans l'élément est normale et nécessaire au bon fonctionnement du moteur.
5. Si nécessaire, remplacez l'élément en papier.
6. Réinstallez l'élément en forme d'éponge dans le boîtier du filtre à air et réinstallez le couvercle.

AVERTISSEMENT : Faire fonctionner le moteur avec un élément de filtre à air encrassé, endommagé ou manquant, le moteur s'usera prématurément.

Entretien de bougie

La bougie est importante pour le bon fonctionnement du moteur. Une bonne bougie doit être intacte, exempte de dépôts et correctement écartée Voir le calendrier de maintenance recommandé. Pour inspecter la bougie:

1. Retirez le capot de bougie. Veillez à ne pas déchirer l'isolation ou le fil.
2. Dévissez la bougie du moteur en utilisant la clé de bougie fournie. Il y a un espace limité pour que la clé puisse tourner. Utilisez les deux rangées de trous dans la clé de bougie pour obtenir un effet de levier afin de desserrer la bougie.
3. Inspectez visuellement la bougie pour rechercher des fissures ou une usure excessive des électrodes. Remplacez si nécessaire.
4. Mesurez l'écart de la bougie avec un calibre de fil. L'écart doit être compris entre 0,7 et 0,8 mm (0,028 à 0,031 pouce).
5. Si la bougie est réutilisée, utilisez une brosse métallique pour éliminer toute trace de saleté autour de la base de bougie, puis rapprochez-la.
6. Vissez la bougie dans le trou de bougie en utilisant la clé de bougie. Ne pas trop serrer la bougie. Le serrage recommandé de la bougie est de ½ à ¾ d'un tour après que le joint d'étanchéité de la bougie a touché le trou de bougie. Réinstallez le capot de bougie.

Calendrier d'entretien

Element	Action	Avant chaque utilisation	5 heures d'utilisation ou premier mois	25 premières heures d'utilisation	50 heures d'utilisation ou tous les 6 mois	100 heures d'utilisation ou chaque année	150 heures d'utilisation ou tous les deux ans
Lame	Inspecter	x					
oulong de fixation de lame	Inspecter	x					
Huile moteur	Vérifier	x					
	Changer		x		x ²	x	x
Filtre à air	Vérifier	x					
	Nettoyer			x ¹	x ¹	x ¹	
	Remplacer						x
Sac d'herbe	Vérifier	x					
Opération de contrôle de lame	Vérifier	x				x	
Bougie	Vérifier					x	
	Remplacer						x
Réservoir de carburant	Nettoyer					x	
Garniture de frein volant	Vérifier					x	
Jeu de soupape	Vérifier-ajuster					x	
Ligne de carburant	Vérifier	Vérifier tous les 2 ans et remplacer si nécessaire					

1. Faites l'entretien plus fréquemment lorsqu'il est utilisé dans des endroits poussiéreux.

2. Changez l'huile du moteur toutes les 25 heures lorsqu'il est utilisé sous une charge importante ou dans des températures extérieures élevées.

STOCKAGE

ATTENTION : Ne placez jamais de type de bâche de stockage ou de bâche sur la TONDEUSE tant qu'elle est encore chaude.

Si la TONDEUSE est entreposée pendant de longues périodes (30 jours ou plus), vidangez le réservoir de carburant et le bol de carburateur.

Lorsque vous rangez la tondeuse pendant de longues périodes :

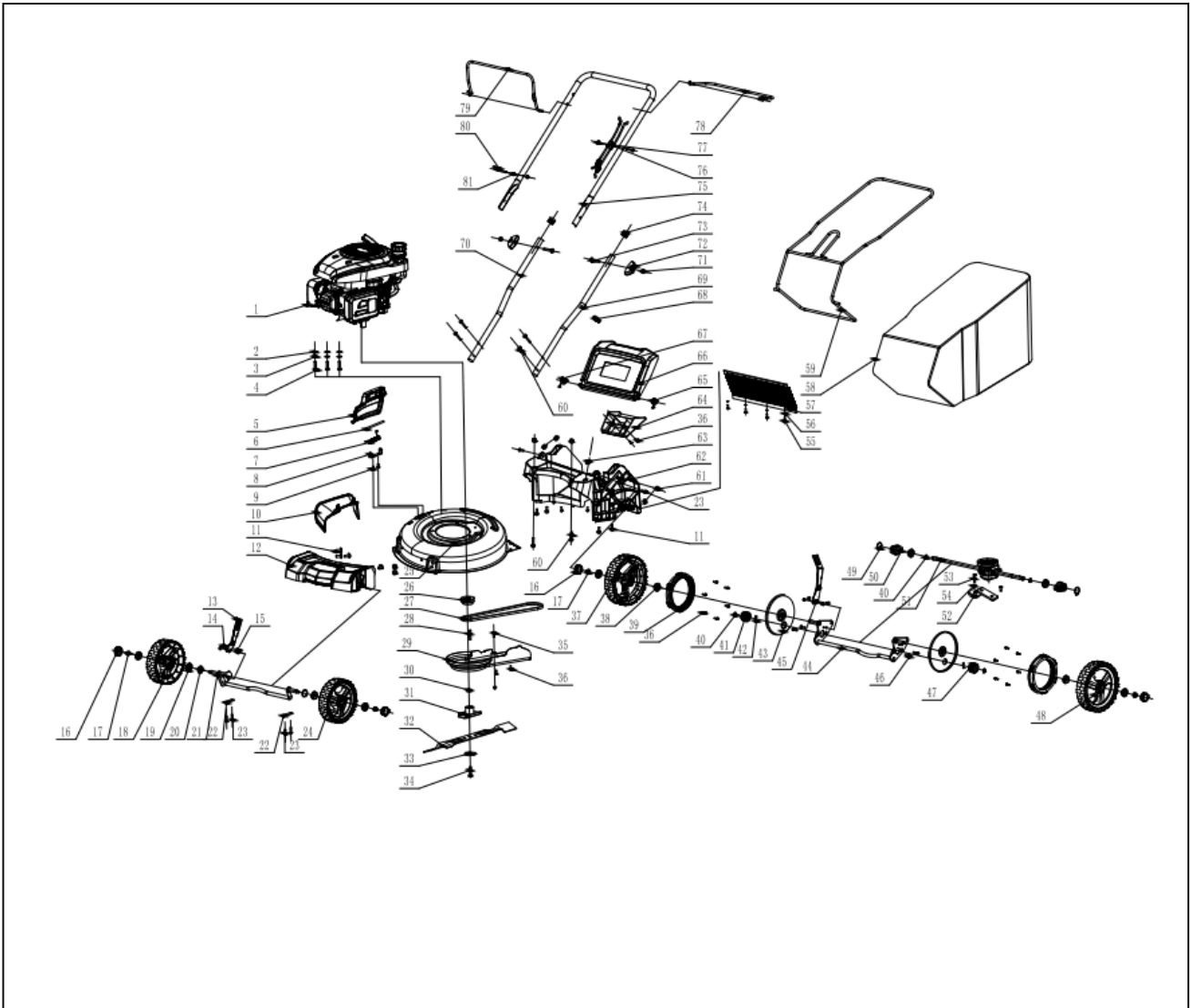
1. Démarrez le moteur et le faites fonctionner jusqu'à ce que le réservoir et la conduite de carburant soient complètement vides et que le moteur s'arrête.
2. Changez l'huile après chaque saison.
3. Retirez la bougie d'allumage. Utilisez un bidon d'huile pour remplir le cylindre d'env. 2 ml d'huile. Tirez lentement la poignée du démarreur, qui baignera la paroi du cylindre avec de l'huile. Revissez la bougie d'allumage.
4. Nettoyer les ailettes de refroidissement du cylindre et du boîtier.
5. Assurez-vous de nettoyer tout l'équipement pour protéger la peinture.
6. Stockez l'équipement dans un endroit bien ventilé.

REMARQUE: La GARANTIE LIMITÉE ne couvre pas les dommages au système d'alimentation en carburant ni les problèmes de performance du moteur résultant d'une préparation au stockage négligée.

DEPANNAGE

Problème	Cause	Solution
Le moteur ne démarre pas	Le levier de démarrage / arrêt du moteur est désengagé.	Engager le levier de démarrage / arrêt du moteur.
	Le fil de la bougie d'allumage est déconnecté.	Raccorder le fil de la bougie d'allumage.
	Le réservoir de carburant vide ou périmé	Remplir le réservoir d'essence propre et fraîche.
	Moteur désamorçée.	Appuyer sur la poire d'amorçage.
	La bougie d'allumage défectueuse.	Nettoyer, ajuster l'espace ou remplacer.
	Ligne de carburant bloquée.	Nettoyer la ligne de carburant.
	Moteur inondé	Attendre quelques minutes pour redémarrer, ne pas amorcer.
Le moteur tourne erratique.	Le fil de la bougie est desserré.	Connecter et serrer le fil de la bougie d'allumage.
	Ligne de carburant bloquée ou carburant éventé.	Nettoyer la ligne de carburant. Remplissez le réservoir d'essence propre et fraîche.
	L'eau ou la saleté dans le système de carburant.	Vider le réservoir de carburant. Remplir avec du carburant frais.
	Filtre à air sale	Référez-vous au manuel du moteur.
Le moteur surchauffe.	Niveau bas d'huile moteur.	Remplir le carter avec l'huile appropriée.
	Débit d'air restreint.	Nettoyer la zone autour et au-dessus du moteur.
Ralenti mauvais.	Bougie d'allumage encrassée, défectueuse ou trop large.	Réinitialiser l'espace ou remplacer la bougie d'allumage.
	Filtre à air sale.	Référez-vous au manuel du moteur.
Vibration / bruit excessifs	Lame détachée ou déséquilibrée.	Serrer et équilibrer la lame.
	Lame courbée / endommagée.	Consulter un concessionnaire agréé.
La tondeuse ne broie pas l'herbe.	Herbe mouillée.	Ne pas tondre lorsque l'herbe est mouillée, attendez jusqu'à ce qu'elle soit sèche pour couper.
Coupe inégale.	Herbe excessivement haute.	Tondre une fois à une hauteur de coupe élevée, puis tondre de nouveau à la hauteur désirée ou effectuer un parcours de coupe plus étroit.
	Lame émoussée.	Affûter ou remplacer la lame.

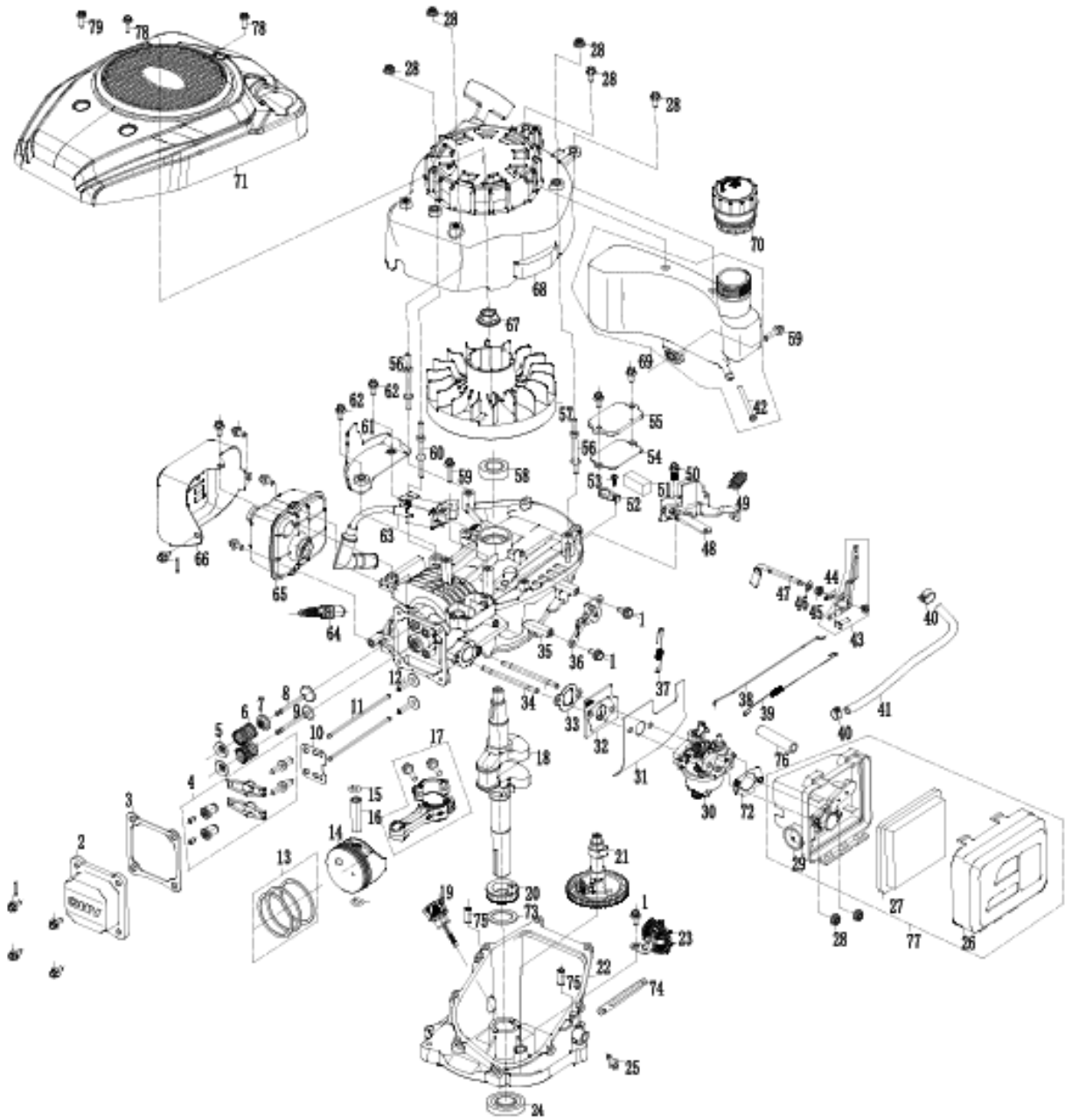
VUE ECLATEE & LISTE DES PIECES



Item	Stock#	Description	Qty
1	303190285	Moteur	1
2	303042023	Rondelle plate	3
3	303041022	Machine à laver	3
4	303020265	Vis à tête hexagonale M8 × 30mm	3
5	203050381	Déflcteur à décharge latérale	1
6	303090066A	Axe de la goupille	1
7	303130335	Ressort de torsion	1
8	303160456	Support à décharge latérale	1
9	303020468	Vis à tête hexagonale	3
10	203050382A	Goulotte d'éjection latérale	1
11	303010332	Vis autotaraudeuse	10
12	20305039A	Couverture	1
13	303071058	Assemblage de lame de ressort de réglage avant	1
14	303030032	Contre-écrou en nylon M6	4
15	303020339	Vis à tête hexagonale M6X14	4
16	203050393	Enjoliveur de roue	4
17	303030077	Écrou en nylon à bride M8	4
18	203050490	7 "roue droite	1
19	203021115	Couture d'essieu avant	4
20	303043005	Gardien d'essieu	2
21	303180934	Couture d'essieu avant	1
22	303071034	Gardien d'essieu	2
23	303010216	Vis autotaraudeuse	6
24	203050491	7 "roue gauche	1
25	303180943A	21 "pont en acier	1
26	303160454	Petite poulie	1
27	302040073	Ceinture	1
28	303110030	Clé carrée	1
29	203050396	Couverture de ceinture	1
30	303160741	Rondelle plate	1
31	303181119	Connecteur de lame	1
32	303071297	Lame de 21 "	1
33	303043023A	Rondelle papillon	1
34	303240517	Boulon de lame	1
35	303020341	Boulon carré	1
36	303010095	Vis autotaraudeuse	16
37	203050492	8 "roue droite	1
38	303100065	Estampage des roulements	6
39	203021209	engrenage interne	2
40	303050007	Bague d'arbre	4
41	303160470A	Avance en avant droite	1

Item	Stock#	Description	Qty
42	303123017A	Goupille cylindrique	2
43	203010851	Couverture de défense arrière	2
44	303180942	Couture d'essieu arrière	1
45	303071059	Ressort de réglage arrière	1
46	303010185	Taraudage	4
47	303160471A	Avance à gauche	1
48	203050493	8 "roue gauche	1
49	303050050	Bague d'arbre	2
50	203021208	Manchon d'essieu arrière	2
51	303240504A	Ensemble d'entraînement	1
52	303071049A	Support fixe	1
53	303020308	Boulon à tête hexagonale	2
54	303020615	Écrou	1
55	303010176	Vis autotaraudeuse	6
56	303042043	Rondelle plate	4
57	302080050A	Feuille de caoutchouc	1
58	302120061	Collecteur d'herbe	1
59	303080491	Titulaire collecteur	1
60	303020558	Vis autotaraudeuse	6
61	303030087	Écrou carré	7
62	203050400A	Base arrière	1
63	302060025	Bouchon de caoutchouc	1
64	203050389	Couverture de bloc arrière	1
65	303130336	Couvercle arrière ressort de torsion gauche	1
66	203050390A	Capot arrière	1
67	303130337	Couvercle arrière en torsion Ressort droit	1
68	203040007	Clip de fil	1
69	303080488B	Tube inférieur L	1
70	303080503B	Tube inférieur R	1
71	303030026	Écrou	2
72	203020336A	Bouton	2
73	303020057	Boulon en T	2
74	302060012	Embout	2
75	303080489	Tube supérieur	1
76	303200100	Câble	1
77	303030025	Écrou borgne	2
78	303080502	Barre de contrôle d'entraînement	1
79	303080509	Barre de contrôle de coupe	1
80	303160531A	Crochet	1
81	303030065	Écrou	1

Vue éclatée du moteur et liste des pièces



Item	Stock #	Description	Qty
1	5787.06012.00.01	Boulon de moulinet (6×12)	14
2	T65.0001.001.00.00	Couvre culasse (1P65FE)	1
3	T65.3000.001.00.00	Joint, couvre culasse (1P65FE)	1
4	T65.0100.001.00.00	Culbuteur ass.(1P65FE)	2
5	P62.0060.001.00.00	Siège de ressort de la soupape d'admission	2
6	165.0040.001.00.00	Ressort de soupape	2
7	P62.0085.001.00.00	Bac d'égouttement d'huile	2
8	T65.0020.001.00.00	Soupape d'admission	1
9	T65.0030.001.00.00	Soupape d'échappement	1
10	T65.1480.001.00.00	Plaque d'arrêt	1
11	T65.0160.001.00.00	Tige de poussée	2
12	E65.1030.001.00.00	Poussoir	2
13	165.0210.001.00.00	Ensemble de segment de piston	1
14	E65.0200.001.00.00	Piston	1
15	160.0230.001.00.00	Pince d'axe de piston	2
16	160.0220.001.00.00	Pince de piston	1
17	T65.0190.001.00.00	Ensemble de lien	1
18	T65.0180.001.61.00	vilebrequin	1
19	E65.1230.001.03.00	Ensemble de la jauge d'huile	1
20	T65.0180.001.62.02	vitesse de synchronisation	1
21	T65.1040.001.62.00	Partie de l'arbre à cames	1
22	T65.1010.001.00.00	Couvercle de carter	1
23	E65.7059.001.00.00	Ensemble de dispositif de réglage	1
24	P65.3150.006.00.00	Joint d'huile	1
25	5787.06018.00.01	Boulon de moulinet	8
26	T65.2280.001.00.01	Couvercle du filtre à air	1
27	T65.2280.001.00.04	éléments du filtre à air	1
28	6177.06000.00.03	Contre-écrou	5
29	T65.2280.001.00.05	Base du filtre à air	1
30	T65.2260.001.00.00	ensemble de carburateur	1
31	E65.2301.001.00.00	Bouclier thermique de carburateur	1
32	T65.2300.001.00.00	Bloc de carburateur	1
33	T65.3080.001.00.00	Joint d'admission	1
34	0900.06089.00.01	Goujon	2
35	T65.1000.001.00.00	carter moteur	1
36	E65.1180.001.00.00	actiateur	1
37	T65.1150.001.00.00	Ressort de réinitialisation	1
38	T65.2275.001.00.00	Manette de gaz	1
39	E65.1160.001.00.00	Ressort de vernier	1
40	458.2360.007.00.00	Pince	2

Item	Stock #	Description	Qty
41	E65.2330.C01.00.00	Tube d'huile	1
42	P70.3208.001.00.00	Pointe de filtre	1
43	E65.1130.A01.00.00	Bras de commande	1
44	168.1120.001.00.00	Verrouillage de la barre pivotante de contrôle de vitesse	1
45	P70.3150.001.00.00	Etanche	1
46	168.1110.001.67.00	Joint	1
47	E65.1100.001.00.00	Tige pivotante de contrôle de vitesse	1
48	T65.7070.001.00.00	Ensemble de frein	1
49	T65.7070.001.00.02	Ressort de frein	1
50	5787.06020.00.01	Boulon de moulinet (6×20)	1
51	E65.7080.002.00.00	Crépine d'huile	1
52	E65.7061.001.00.00	Soupape de reniflard	1
53	0818.04010.00.01	Vis cruciforme	1
54	T65.1352.001.00.00	Joint de couvercle de la chambre de retour d'huile	1
55	T65.1351.001.00.00	Couvercle de la chambre de retour d'huile	1
56	T65.7072.001.00.00	Goujon du couvercle de démarrage	2
57	T65.2040.001.00.00	composants du volant	1
58	P70.3150.002.00.00	Joint d'huile	1
59	5789.06025.00.01	Boulon de moulinet (6×25)	2
60	T65.7071.001.00.00	Goujon d'allumage	1
61	T65.2230.001.00.00	Défecteur de vent	1
62	5787.06016.00.01	Boulon de moulinet (6×16)	2
63	T65.2100.001.00.00	Kit d'allumage	1
64	E65.2160.001.00.00	Bougie	1
65	T65.2400.001.00.00	Silencieux	1
66	T65.2402.001.00.00	Couverture du silencieux	1
67	6177.14000.06.01	Boulon de moulinet (M14X1,5)	1
68	T65.2000.001.00.03	Petit couvercle de démarrage	1
69	T65.3200.C02.04.00	Composants de réservoir	1
70	E65.3200.C01.04.02	Bouchon de réservoir de carbone	1
71	E65.2000.001.04.01	Plaque de tirage de démarrage	1
72	T65.3090.001.00.00	Joint de filtre à air	1
73	P70.0185.001.00.00	Joint plat de vilebrequin	1
74	188.1220.002.00.00	disque de tension	1
75	E65.3170.001.00.00	broche de localisation	2
76	E65.2370.001.00.00	tuyau d'évacuation	1
77	T65.2280.001.00.00	Filtre à air	1
78	5787.05010.20.01	Boulon de moulinet 5×10	3
79	5789.06012.00.01	Boulon de moulinet 6×12	2

GARANTIE LIMITÉE DE DEUX (2) ANS

PowerSmart s'engage à construire des équipements qui fourniront des années de service fiable. Nos garanties sont conformes à notre engagement et notre dévouement à la qualité.

GARANTIE LIMITÉE DE DEUX (2) ANS DE PRODUITS POWER SMART POUR USAGE DOMESTIQUE.

PowerSmart (« Vendeur ») garantit uniquement à l'acheteur original que tous les outils électriques grand public PowerSmart seront exempts de tout défaut de matériel ou de fabrication pour une période de deux (2) ans à compter de la date d'achat. Tout en fournissant des services professionnels ou commerciaux, la couverture de la garantie sera d'une durée maximale de (90) jours.

L'OBLIGATION EXCLUSIVE DU VENDEUR ET VOTRE RECOURS EXCLUSIF sous cette garantie limitée de deux (2) ans et, dans la mesure permise par la loi, toute garantie ou condition prévue par la loi, sera la réparation ou le remplacement de pièces, sans frais, qui sont défectueux de matériel ou de fabrication et qui n'ont pas été mal utilisés, manipulés avec négligence ou mal réparés par des personnes autres qu'un vendeur ou centre de service autorisé. Veuillez noter que les pièces d'usure normales ne sont pas couvertes par cette garantie. Cela comprend les courroies d'entraînement, les lames et les sacs d'herbe. Les problèmes de carburateur et / ou d'autres dommages résultant d'un carburant éventé, contaminé ou compromis ne sont pas couverts par cette garantie limitée.

Pour faire une réclamation en vertu de cette garantie limitée, vous devez retourner l'ensemble du produit de l'outil électrique ; transport prépayé, à PowerSmart. Le propriétaire doit inclure une copie lisible du reçu original, qui doit indiquer la date d'achat, ainsi que le nom de l'entreprise où le produit a été acheté.

CETTE GARANTIE LIMITÉE NE S'APPLIQUE PAS À TOUT ACCESSOIRE INCLUS DANS L'OUTIL TELLES QUE LES LAMES DE SCIÉS CIRCULAIRES D'AUTRES ARTICLES CONNEXES OU À TOUTES PIÈCES DE RECHANGE INSCRITES DANS L'ENTRETIEN.

TOUTE GARANTIE IMPLICITE EST LIMITÉE À UNE DURÉE DE DEUX (2) ANS À COMPTER DE LA DATE D'ACHAT. CERTAINS ÉTATS DES ÉTATS-UNIS ET CERTAINES PROVINCES CANADIENNES NE PERMETTENT PAS DE LIMITER LA DURÉE D'UNE GARANTIE IMPLICITE, DE SORTE QUE LA LIMITATION CI-DESSUS PEUT NE PAS S'APPLIQUER À VOUS.

EN AUCUN CAS LE VENDEUR NE SERA TENU RESPONSABLE DES DOMMAGES INDIRECTS OU CONSÉCUTIFS (Y COMPRIS, MAIS SANS S'Y LIMITER, LA RESPONSABILITÉ POUR PERTE DE PROFITS) DÉCOULANT DE LA VENTE OU DE L'UTILISATION DE CE PRODUIT. CERTAINS ÉTATS DES ÉTATS-UNIS ET CERTAINES PROVINCES CANADIENNES NE PERMETTENT PAS L'EXCLUSION OU LA LIMITATION DES DOMMAGES ACCESSOIRES OU INDIRECTS, DE SORTE QUE LA LIMITATION OU L'EXCLUSION CI-DESSUS PEUT NE PAS S'APPLIQUER À VOUS.

CETTE GARANTIE LIMITÉE VOUS DONNE DES DROITS JURIDIQUES SPÉCIFIQUES, ET VOUS POUVEZ AUSSI AVOIR D'AUTRES DROITS QUI VARIENT D'UN ÉTAT À L'AUTRE AUX ÉTATS-UNIS, D'UNE PROVINCE À L'AUTRE, D'AUTREMENT D'UN PAYS AU CANADA ET D'UN PAYS À L'AUTRE.

Pour des questions, commentaires, assistance technique ou pour commander des pièces de rechange

Veuillez appeler en PCV : 1-800-791-9458(L-V 9am – 5pm EST)

Courriel : support@amerisuninc.com

VEUILLEZ ÉCONOMISER TOUS VOS REÇUS ORIGINAUX. CETTE GARANTIE EST NULLE SANS EUX.

Tabla de contenidos

Datos técnicos..... 49
Introducción..... 50
Información de seguridad..... 50
Procedimientos generales de seguridad ... 51
Instrucciones importantes de seguridad..... 52
Conocer tu cortadora de césped..... 54
Preparaciones de la cortadora de césped..... 55
Manejo..... 58
Mantenimiento..... 62
Almacenamiento..... 65
Solución de problemas..... 66
Vista despiezada y listado de piezas..... 67
Garantía..... 71

Datos técnicos

21" 3-en-1 Cortadora de césped autopropulsado a gas Model # DB2321S

Tipo de motor:	4 tiempos, OHV, con cilindro de sistema de enfriamiento de aire forzado
Potencia:	161cc
Capacidad del tanque de gasolina:	0,26Galones
Capacidad de aceite:	15,2 fl.oz
Anchura del corte:	21 inch
Altura del corte:	1,18 – 3 inch
Diferentes alturas:	5 Posiciones
Forma de manejar:	Empujando
Tipo de ruedas:	Delanteras: 7 inch / traseras: 8 inch
Dimensiones del paquete (Largo x ancho x altura):	33,3 x 22,6 x 17,3 inches
Peso:	68 lb.

Introducción

Gracias por Comprar el producto de PowerSmart®. Este manual proporciona información sobre el manejo seguro y el mantenimiento de este producto. Se han realizado todos los esfuerzos para garantizar la exactitud de la información contenida en este manual. PowerSmart® se reserva el derecho de cambiar este producto y sus especificaciones en cualquier momento sin previo aviso.

Mantenga este manual a disposición de todos los usuarios durante toda la vida útil de la cortadora de césped.



Este manual contiene mensajes especiales para llamar la atención sobre posibles problemas de seguridad, daños en la cortadora de césped, así como informaciones útiles de manejo y servicio. Lea toda la información cuidadosamente para evitar lesiones y daños a la máquina.

¿PREGUNTAS? ¿PROBLEMAS?

Póngase en contacto con nuestro Departamento de Servicio al Cliente si tiene cualquier pregunta o comentario, ya sea por correo electrónico: support@amerisuninc.com, o llame gratis al (800) 791-9458. Estamos disponibles de lunes a viernes de las 9 a las 17 EST para solucionar cualquier problema que pueda encontrar.

AVISO SOBRE LAS EMISIONES

Los motores están certificados para cumplir con las regulaciones de emisiones de la EPA de los EE. UU. para SORE (Small Off Road Equipment), están certificados para operar con gasolina sin plomo regular, y pueden incluir los siguientes sistemas de control de emisiones: (EM) Modificaciones del motor y (TWC) Tres vías Catalizador (en caso de estar equipado).

INFORMACION DE SEGURIDAD

Antes de usar esta cortadora de césped, lea y observe todas las advertencias, precauciones e instrucciones del cortacésped en este Manual de Usuarios.

NOTA: La siguiente información de seguridad no pretende cubrir todas las posibles condiciones y situaciones que puedan ocurrir. Lea el Manual del propietario completo para obtener instrucciones de seguridad y funcionamiento. El incumplimiento de las instrucciones y la información de seguridad podría provocar lesiones graves o la muerte.

Este símbolo de alerta de seguridad se usa para identificar información de seguridad sobre peligros que pueden ocasionar lesiones personales.



Se usa una palabra de advertencia (**PELIGRO**, **ADVERTENCIA** o **PRECAUCIÓN**) con el símbolo de alerta para indicar la probabilidad y la posible gravedad de la lesión. Además, se puede usar un símbolo de peligro para representar el tipo de peligro.

PELIGRO indica un peligro que, si no se evita, causará la muerte o lesiones graves.

ADVERTENCIA indica un peligro que, si no se evita, podría causar la muerte o lesiones graves.

PRECAUCIÓN indica un peligro que, si no se evita, podría provocar lesiones leves o moderadas.

PRECAUCIÓN cuando se usa sin el símbolo de alerta, indica una situación que podría dañar el motor.

PROCEDIMIENTOS GENERALES DE SEGURIDAD

Si tiene alguna pregunta sobre los avisos de peligro y seguridad que figuran en este manual o en el producto, llame al (800) 791-9458 de lunes a viernes de 9 a 17 EST horas antes de usar el motor.



PELIGRO: MONOXIDO DE CARBONO

U Usar un motor bajo techo PUEDE MATARLE EN MINUTOS. El escape del cortacésped contiene monóxido de carbono (CO). Este es un gas venenoso que no puede ver ni oler. Si puede oler el escape del motor, está respirando (CO). Pero aunque no pueda olerlo, podría estar respirando CO.

NUNCA use un cortacésped dentro de casas, garajes, espacios de acceso u otras áreas parcialmente cerradas. Los niveles mortales de monóxido de carbono pueden acumularse en estas áreas. El uso de un ventilador o la apertura de ventanas y / o puertas NO ventilará adecuadamente el CO ni proporcionará el aire fresco adecuado. SOLO usar el cortacésped en espacios al aire libre y lejos de ventanas, puertas y ventilaciones. Estas aberturas pueden absorber el humo de escape del cortacésped.

Aunque use el cortacésped correctamente, el CO puede filtrarse en la casa. SIEMPRE debe usar una alarma de CO a batería o con batería de respaldo en el hogar. Si comienza a sentirse enfermo, mareado o débil después de que el cortacésped haya estado funcionando, vaya al aire fresco INMEDIADAMENTE. Ir a un doctor. Puede tener envenenamiento por inhalar monóxido de carbono.

ADVERTENCIA: El escape de este producto contiene sustancias químicas que el estado de California sabe que causan cáncer, defectos de nacimiento u otros daños reproductivos.

ADVERTENCIA: Este cortacésped puede emitir vapores de gasolina altamente inflamables y explosivos, que pueden causar quemaduras graves o incluso la muerte si se encienden. Una llama abierta cercana puede provocar una explosión incluso si no está directamente en contacto con la gasolina.

- No manejarla cerca de una llama abierta.
- No fumar cerca del cortacésped..
- Siempre manejarlo en una superficie firme y nivelada.
- Siempre apagar el motor antes de repostar. Dejar que el motor se enfríe durante al menos 2 minutos antes de retirar la tapa del combustible. Aflojar la tapa lentamente para aliviar la presión en el tanque..
- No llenar en exceso el tanque de combustible. La gasolina puede expandirse durante la operación. Nunca llene hasta la parte superior del tanque. Para permitir su expansión dentro del tanque.
- Siempre revisar si hay combustible derramado antes de manejar la máquina.
- Vaciar el tanque de combustible y la cubeta del carburador antes de guardar o transportar el cortacésped.

ADVERTENCIA: Este cortacésped produce calor al funcionar. Las temperaturas cerca del escape pueden exceder de 1500F (65⁰ C).

No toque las superficies calientes. Preste atención a las etiquetas de advertencia en el cortacésped que identifican las partes calientes de la máquina.

Permita que el motor se enfríe después de usarlo antes de tocar el motor o las áreas del motor que se calientan durante el uso.

PRECAUCIÓN: el mal uso de este cortacésped puede dañarlo o acortar su vida útil. Utilice el cortacésped únicamente para los fines previstos.

INSTRUCCIONES IMPORTANTES DE SEGURIDAD

Manejo General

Lea, comprenda y siga todas las instrucciones en la máquina y en los manuales antes de comenzar.

1. No poner las manos o los pies cerca o debajo de la máquina. Mantener el conducto de descarga libre de obstáculos durante todo el tiempo.
2. Solo permita que los adultos responsables que están familiarizados con las instrucciones manejen esta máquina.
3. Limpiar el área de objetos tales como piedras, cables, juguetes, etc., que podrían ser lanzados por la cuchilla. Quedarse detrás de la manija cuando el motor esté en marcha.
4. Asegurarse de que el área esté libre de espectadores antes de operar. Parar la máquina si alguien entra en el área.
5. No usar la máquina descalzo o con sandalias. Siempre usar calzado sustancial.
6. No tirar de la máquina hacia atrás a menos que sea absolutamente necesario. Siempre mirar hacia abajo y hacia atrás antes y mientras moverse hacia atrás.
7. Nunca dirigir material descargado hacia nadie. Evitar descargar material contra una pared u obstrucción. El material puede rebotar hacia el operador. Detenga la cuchilla al cruzar superficies de grava.
8. No opere la máquina sin el recogedor de césped, el protector de descarga, el protector trasero u otros dispositivos de protección de seguridad en su lugar y funcionando.
9. Nunca deje una máquina en funcionamiento desatendida.
10. Detenga el motor y espere hasta que la cuchilla se detenga por completo antes de limpiar la máquina, retirar el recogedor de hierba o desatascar el protector de descarga.
11. Operar la máquina solo a la luz del día o con buena luz artificial.
12. No opere la máquina bajo la influencia del alcohol o las drogas.
13. Nunca opere el cortacésped en hierba mojada. Siempre asegúrese de su pie; caminar; nunca correr.
14. Desconecte el sistema de transmisión, si está equipado, antes de arrancar el motor.
15. Si la máquina comienza a vibrar de manera anormal, pare el motor y busque la causa de inmediato. La vibración es generalmente una advertencia de problemas.
16. Use siempre protección para los ojos cuando opere la máquina.
17. Vea las instrucciones del fabricante para la operación apropiada e instalación de accesorios. Utilice únicamente accesorios aprobados por el fabricante.

Operación de la pendiente

Las pendientes son un factor importante relacionado con los accidentes por resbalones y caídas, que pueden provocar lesiones graves. La operación en todas las pendientes requiere precaución adicional. Si se siente incómodo en una pendiente, no la corte.

1. Cortar en la cara de las laderas; nunca arriba y abajo. Tenga mucho cuidado al cambiar de dirección en las pendientes.
2. Esté atento a los agujeros, surcos, baches, rocas u otros objetos ocultos. Terreno desigual podría causar un resbalón y caída. El césped alto puede ocultar obstáculos.
3. No corte el césped sobre mojado o en pendientes excesivamente pronunciadas. La mala posición del pie podría provocar un resbalón y caída.
4. No corte el césped cerca de bajadas, zanjas o terraplenes. Podría perder el equilibrio o caerse.

Niños

Se pueden producir lesiones graves si el operador no está alerta a la presencia de niños en el área inmediata. Los niños a menudo se sienten atraídos por la actividad de corte. Nunca asumas que los niños permanecerán donde los viste por última vez.

1. Mantenga a los niños fuera del área de corte y bajo la vigilancia de un adulto responsable que no sea el operador.
2. Esté alerta y apague el cortacésped si un niño ingresa en el área.
3. Nunca permita que niños menores de 16 años operen la cortadora de césped.

4. Tenga especial cuidado al acercarse a esquinas ciegas, arbustos, árboles u otros objetos que puedan bloquear su visión de un niño.

Servicio

1. Manejo seguro de la gasolina

2. Para evitar lesiones personales o daños a la propiedad, tenga mucho cuidado al manejar la gasolina. La gasolina es extremadamente inflamable y los vapores son explosivos.

3. Apague todos los cigarrillos, puros, pipas y otras fuentes de ignición.

4. Utilice únicamente un contenedor de combustible portátil que cumpla con la aprobación de la US EPA.

5. Nunca quite la tapa del tanque de gasolina ni agregue combustible con el motor en marcha. Permita que el motor se enfríe antes de repostar.

6. Nunca intente reabastecer el combustible de la cortadora de césped cuando esté en un espacio cerrado.

7. Nunca almacene la máquina o el contenedor de combustible donde haya una llama abierta, una chispa o una luz piloto, como en un calentador de agua o en otros aparatos.

8. Nunca llene los contenedores dentro de un vehículo o en una camioneta o camilla de remolque con un forro de plástico. Siempre coloque los recipientes en el suelo lejos de su vehículo antes de llenarlos.

9. Retire el equipo a gasolina del camión o remolque y llénelo de combustible en el suelo. Si esto no es posible, repostar dicho equipo con un contenedor portátil, en lugar de hacerlo desde una boquilla dispensadora de gasolina.

10. Mantenga la boquilla en contacto con el borde del tanque de combustible o la abertura del recipiente en todo momento hasta que se complete la carga de combustible. No utilice un dispositivo de bloqueo de boquilla abierto.

11. Si se derrama combustible sobre la ropa, cámbiela inmediatamente.

12. Nunca llene en exceso el tanque de combustible. Vuelva a colocar la tapa del depósito y apriete firmemente.

Servicio general

1. Nunca opere la máquina en un área cerrada.

2. Mantenga todos los pernos y tuercas apretados para asegurarse de que el equipo se encuentre en buenas condiciones de funcionamiento.

3. Nunca manipule indebidamente los dispositivos de seguridad. Compruebe su correcto funcionamiento regularmente.

4. Mantenga la máquina libre de hierba, hojas u otros residuos acumulados. Limpie el aceite o el derrame de combustible y retire cualquier residuo empapado en combustible. Deje que la máquina se enfríe antes de guardarla.

5. Si golpea un objeto extraño, deténgase e inspeccione la máquina. Reparar, si es necesario, antes de comenzar.

6. Nunca haga ajustes o reparaciones con el motor en marcha. Desconecte el cable de la bujía para evitar un arranque involuntario.

7. Revise los componentes del colector de césped y la protección de descarga con frecuencia y reemplácelos con las piezas recomendadas por el fabricante, cuando sea necesario.

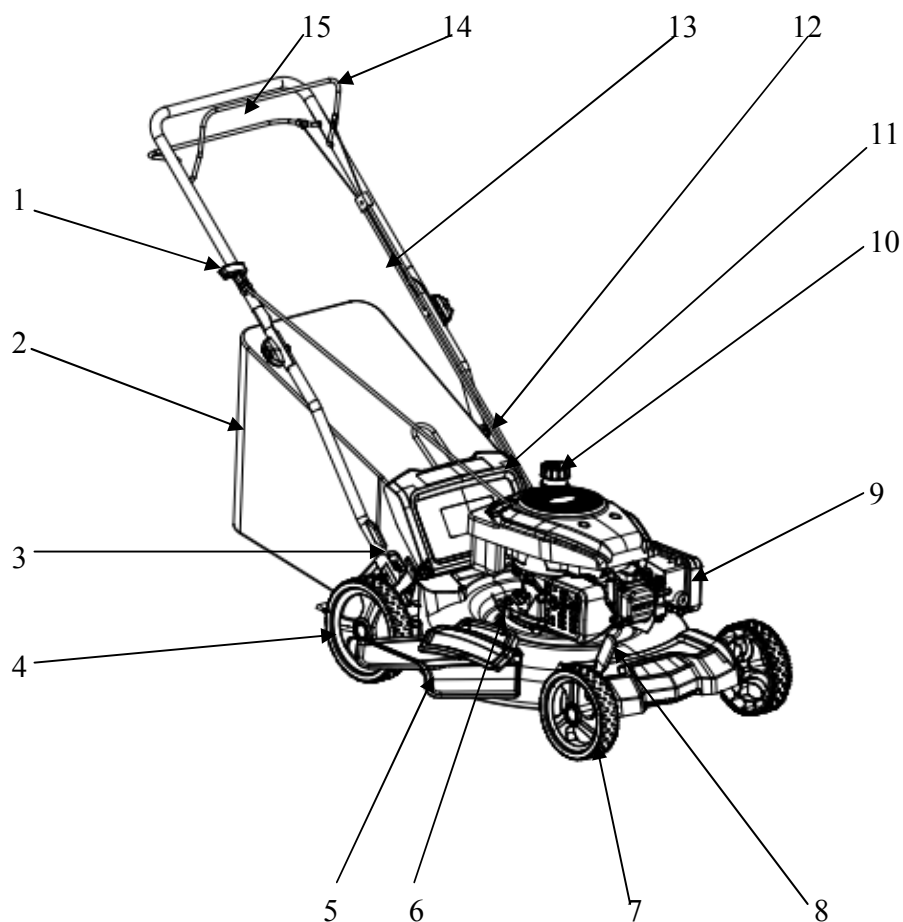
8. Las cuchillas del cortacésped están afiladas. Envuelva la cuchilla o use guantes, y tenga mucho cuidado al darles servicio.

9. No cambie la configuración del regulador del motor ni exceda la velocidad del motor.

10. Mantenga o reemplace las etiquetas de seguridad e instrucciones, según sea necesario.

Conocer su cortacésped

Por favor use la imagen debajo para familiarizarse con la localización y la función de los componentes que controlan su cortacésped.



1	Manija de arrancador de retroceso	9	Válvulas de cebado
2	Cesta de recogida de hierba	10	Tapón del depósito de combustible
3	Palanca de ajuste de altura de corte	11	Puerta trasera de descarga
4	Rueda trasera	12	Manija inferior
5	Tolva de descarga lateral	13	Manija superior
6	Varilla de nivel de aceite	14	Control de arranque/ parada del motor
7	Rueda delantera	15	Barra de control de accionamiento
8	Palanca de ajuste de altura de corte		

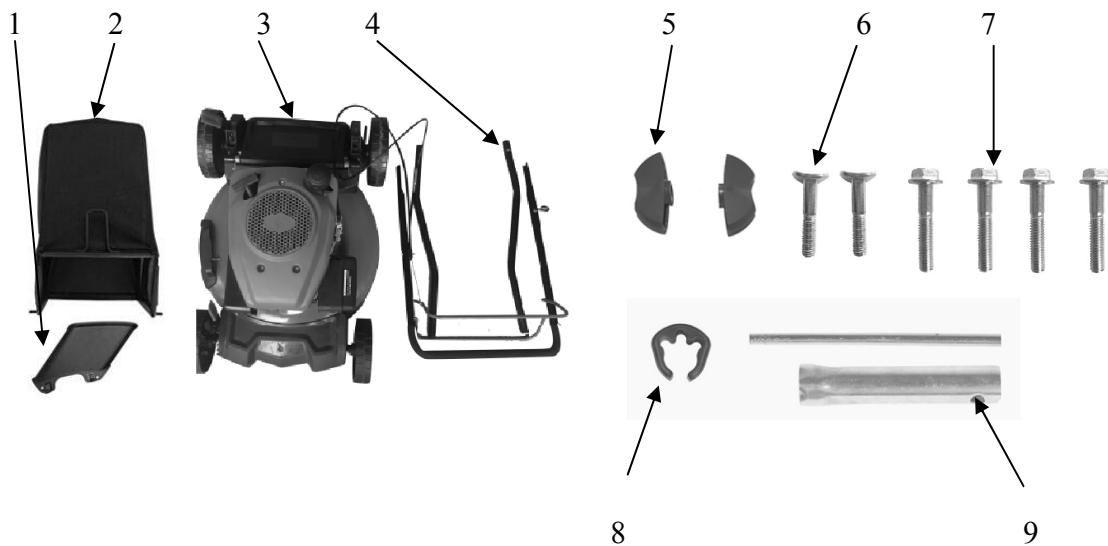
PREPARACIONES DEL CORTACÉSPED

La siguiente sección describe los pasos necesarios para preparar la cortadora de césped para su uso. Si después de leer esta sección, no está seguro de cómo realizar alguno de los pasos, llame al (800)791-9458 de lunes a viernes de 9 a 17 horas, Hora Estándar de Oriente (EST) para obtener ayuda del departamento de servicio al cliente. Si no realiza estos pasos correctamente puede dañar la cortadora de césped o acortar su vida útil.

DESEMBALAR

Herramientas necesarias (no incluidas): #2PH destornillador, cuchillo.

Desembalar el cortacésped y todas las piezas, y comparar con el siguiente listado. No se desaga del embalaje ni de ningún envoltorio hasta que el cortacésped esté totalmente ensamblado

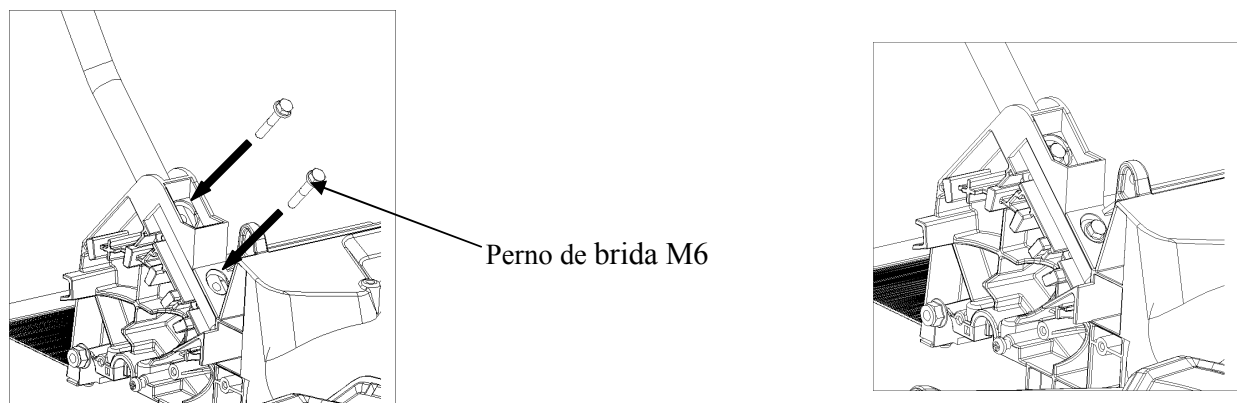


- 1 Tolva de descarga lateral
- 2 Cesta de recogida de hierba
- 3 Cortacésped con manija superior
- 4 Manija inferior (izquierda y derecha)
- 5 Botón

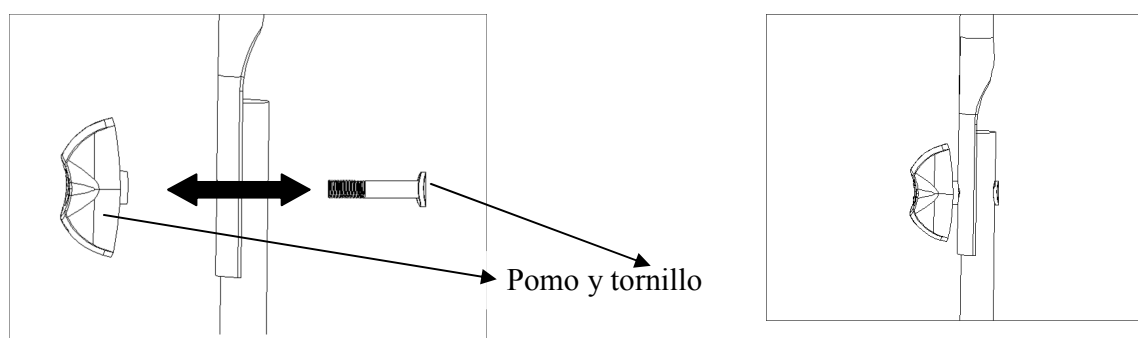
- 6 Tornillo M8(2)
- 7 Pernos de reborde M6 (4)
- 8 Clip de Cable
- 9 Llave de bujías de encendido

FIJACIÓN DE LA MANIJA INFERIOR Y SUPERIOR

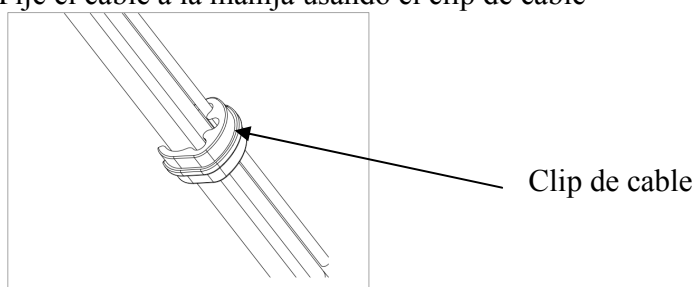
- 1 Coja la manija inferior y alinee el orificio de la manija inferior con el orificio del soporte de la manija. Asegúrese de que el mango inferior izquierdo esté al lado izquierdo del cortacésped y el mango inferior derecho al lado derecho del cortacésped.
- 2 Fije la manija inferior con el Manguito mediante los tornillos hexagonales de brida M6 provistos en cada lado.



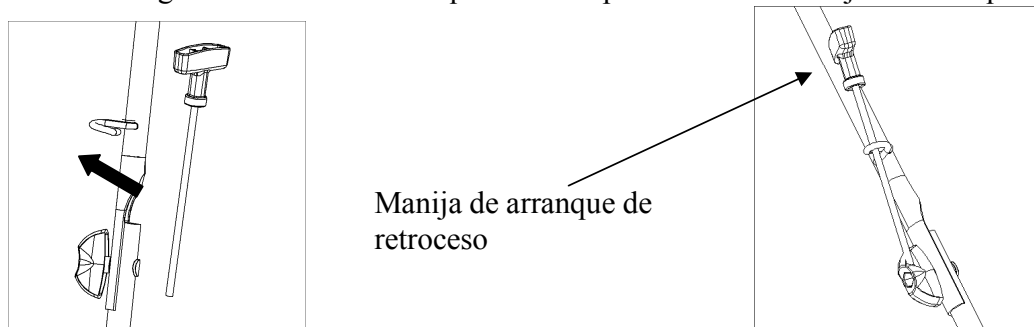
- 3 Tire de la manija superior hacia arriba y bloquéela en posición con los tornillos y el pomo en ambos lados. Asegúrese de que el control de Arranque / Parada del motor esté en la parte superior



- 4 Fije el cable a la manija usando el clip de cable

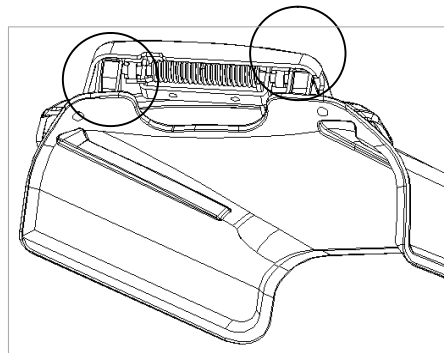
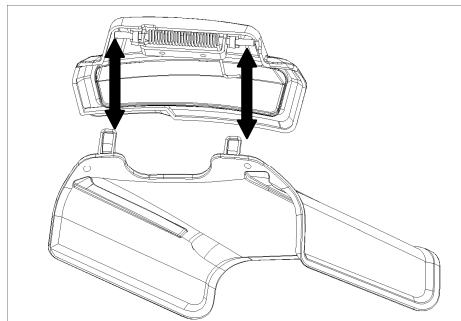


5. Inserte el cable de la manija de arranque de retroceso en el gancho provisto en la manija superior. Debe embragar el control de Arranque / Parada para liberar la manija de arranque de retroceso.



Tolva de descarga lateral

1. Levante la cubierta de descarga con resorte ubicada en el lateral del cortacésped.
2. Deslice dos ganchos de tolva de descarga lateral debajo del pasador de bisagra y baje el resorte en la cubierta de descarga lateral



Precaución: No intente retirar la cubierta de descarga lateral de resorte montada de forma permanente en ningún momento.

AJUSTE DE LA ALTURA DE CORTE



¡Advertencia! ¡Los ajustes de altura de corte solo deben realizarse después de que el motor y las cuchillas se hayan detenido por completo!

Siempre es mejor comenzar a cortar el césped con una altura más alta de la plataforma para evitar que se raspe el césped.

La altura de corte se ajusta con palancas delantera y trasera.

Accione la palanca de ajuste y tire de ella hasta la posición deseada. Por favor, asegúrese de que la palanca encaje en la misma posición.

Cesta de recogida

Fijar Cesta de recogida

1. Levantar la puerta trasera de descarga del cortacésped
2. Poner la cesta de recogida en las hendiduras de los soportes de la manija
3. Abrir la puerta trasera de descarga para que recaiga en la cesta de recogida.

Ajustar la altura de corte



Advertencia! ¡Los ajustes de altura de corte solo deben realizarse después de que el motor y las cuchillas se hayan detenido por completo!

Siempre es mejor comenzar a cortar el césped con una altura más alta de la plataforma para evitar que se raspe el césped.

La altura de corte se ajusta con la palanca delantera y trasera.

Accione la palanca de ajuste y tire de ella hasta la posición deseada. Por favor, asegúrese de que la palanca encaje en la posición igual.

Manejo

REPOSTAJE DE GAS Y ACEITE

El motor viene sin aceite ni gasolina. Asegúrese de añadir aceite y gasolina antes de arrancar el motor.

1. Añada aceite antes de arrancar el cortacésped por primera vez.
2. Sirva el motor con gasolina como se indica .



Advertencia: Tenga extremo cuidado al manejar gasolina. La gasolina es extremadamente inflamable y sus vapores son explosivos. Nunca reposte la máquina en interiores o mientras el motor esté caliente o en marcha. Apague todos los cigarrillos, cigarros, pipas y otras fuentes potenciales de ignición.

Aceite de motor

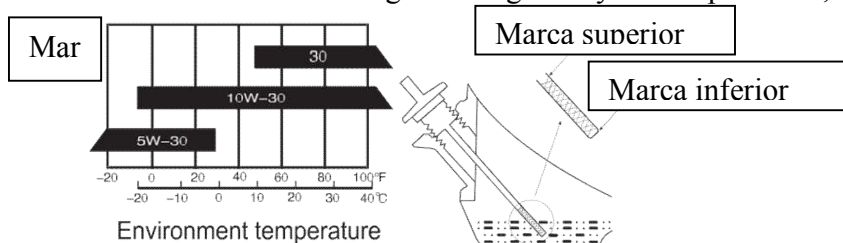
El aceite del motor es un factor clave para decidir el rendimiento de los motores. No aplique aceite de motor con aditivos o aceite de motor de gasolina de 2 tiempos, ya que no tienen suficiente lubricación y puede acortar la vida útil del motor.



WARNING Compruebe el motor parado en un terreno llano.

Aceite de motor recomendado: 10W30

Como la viscosidad varía según las regiones y las temperaturas, se recomienda el aceite de clase SF.

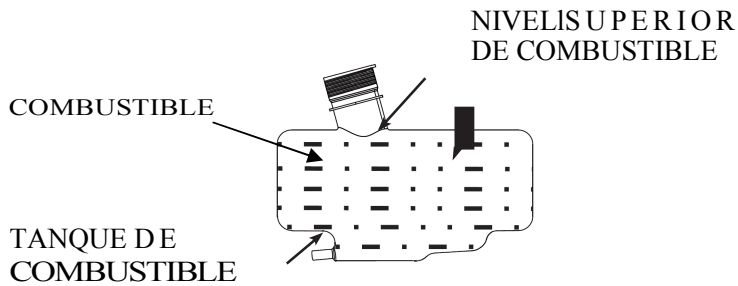


Método de verificación

- 1) Retire la varilla y límpiela.
- 2) Vuelva a insertar la varilla en el orificio de llenado de aceite sin atornillar la palanca de control de aceite.
- 3) Si el nivel de aceite es demasiado bajo, añada el aceite de motor recomendado hasta el nivel superior de aceite
- 4) Vuelva a instalar la varilla.
Añadir gasolina

Retire la tapa del tanque de combustible y revise el nivel de combustible.

Si el nivel es demasiado bajo, reposte el tanque, recuerde no añadir combustible por encima del nivel superior de combustible.



⚠ WARNING

1. La gasolina es extremadamente inflamable y es explosiva bajo ciertas circunstancias.
2. Reabastecimiento de combustible en un área de buena ventilación con el motor parado. No fume y no permita que haya llamas o chispas en el área donde se almacena la gasolina o donde se reposta el tanque de combustible.
3. No llene en exceso el tanque de combustible (no debe haber combustible en el cuello de llenado). Después de repostar, asegúrese de que la tapa del tanque de combustible esté bien colocada hacia atrás.
4. Tenga cuidado de no derramar combustible al repostar. El combustible derramado o el vapor de combustible pueden ser prendidos. Si se derrama combustible, asegúrese de que el área esté seca antes de arrancar el motor.
5. Evite el contacto repetido o prolongado con la piel o la respiración del vapor de combustible. Mantener fuera del alcance de los niños.

Solo use gasolina sin plomo y la gasolina recomendada con grado superior del 87 #, la gasolina sin plomo puede reducir el depósito de carbón del motor de gasolina y prolongar la vida útil del sistema de escape. Nunca use gasolina contaminada o gasolina mezclada con aceite. No permita que el polvo, materias extrañas o agua entren en el tanque de combustible.

Use gasolina sin plomo fresca (dentro de los 30 días desde la fecha de compra) con un mínimo de 87 octanos. No mezcle aceite con gasolina.

Para añadir gasolina, siga estos pasos:

1. Asegúrese de que el cortacésped esté en una superficie nivelada.
2. Destornille la tapa del tanque de combustible y póngala a un lado. NOTA: La tapa del combustible puede estar apretada y difícil de desatornillar.
3. Lentamente añada gasolina sin plomo al tanque de combustible. Ten cuidado de no exceder los límites. La capacidad del tanque de combustible es de 0.26 galones. NOTA: No llene el tanque de combustible hasta el límite de la parte superior. La gasolina se expandirá y se derramará durante el uso, incluso con la tapa del combustible en su lugar.
4. Vuelva a colocar la tapa del combustible y limpie la gasolina derramada con un paño seco.

IMPORTANTE:

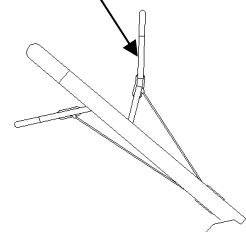
- Nunca use una mezcla de aceite / gasolina.
- Nunca use gasolina vieja.
- Evite que entre suciedad o agua en el tanque de combustible.

- La gasolina puede envejecer en el tanque y dificultar el arranque. Nunca almacene la cortadora de césped durante periodos prolongados con combustible en el tanque o el carburador.

CONTROL DE ARRANQUE / PARADA DEL MOTOR

Esta cortadora de césped viene equipada con un control de arranque / parada del motor para evitar el arranque involuntario y garantizar un funcionamiento seguro. Al soltar esta palanca, la cuchilla se detendrá rápidamente en caso de peligro. La palanca debe accionarse antes de arrancar el cortacésped. Cuando se suelta el control de arranque / parada del motor, debe volver a su posición inicial.

Control de arranque/ parada del motor



Antes de comenzar a cortar el césped, debe realizar este proceso varias veces para asegurarse de que la palanca y los cables actuantes estén funcionando correctamente. Repita la prueba varias veces después de que el motor se haya arrancado. Cuando se suelta la palanca de arranque / parada del motor, el motor debe detenerse en unos pocos segundos. Si no es así, contacte con el Servicio al Cliente.



Advertencia: La cuchilla comienza a girar tan pronto como se arranca el motor.

ARRANCAR EL MOTOR

Para arrancar el motor, realice los siguientes pasos:

1. Compruebe los niveles de aceite y combustible.
2. Presione la pera de cebado 3 veces.
3. Active el control de Arranque / Parada del motor y al mismo tiempo tire del arrancador de retroceso. Empuje la manija del arrancador de retroceso lentamente hasta sentir una ligera resistencia, luego tire rápidamente para arrancar el motor. Vuelva a colocar el cordón con cuidado en el arrancador de retroceso. Nunca permita que el cordón se vaya hacia atrás.
4. Si el motor no arranca, repita el paso 3.

NOTA: Si después de varios intentos y el motor sigue sin poder arrancar, consulte la guía de solución de problemas antes de volver a intentarlo. Si los problemas persisten, por favor llame al servicio al cliente.

NOTICE

No permita que la empuñadura de arranque se retroceda contra el motor. Devuélvalo con cuidado para evitar daños en el arrancador.

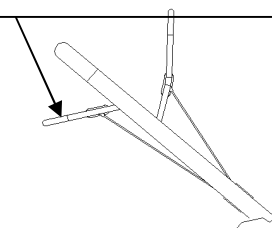
PARAR EL MOTOR

Suelte el control de arranque / parada del motor para detener el motor.

BARRA DE CONTROL DE ACCIONAMIENTO

Si presiona la barra de control de accionamiento, el embrague de accionamiento se cerrará y la cortadora de césped comenzará a moverse con el motor. Suelte la barra de control de accionamiento a tiempo para detener la cortadora de césped en movimiento. Practique el arranque y la parada antes de usar la cortadora de césped por primera vez hasta que esté familiarizado con el control del cortadora de césped.

BARRA DE CONTROL DE ACCIONAMIENTO



CORTE

El acelerador del motor en su cortacésped ha sido preajustado para proporcionar un rendimiento óptimo de embolsado y acolchado durante los próximos años.

Utilice únicamente cuchillas afiladas que estén en buenas condiciones. Esto evitará que las hojas del césped se deshilachen y que el césped se torne amarillo.

Corta en líneas rectas para una apariencia agradable y limpia. Las hileras deben superponerse unas a otras unas pulgadas para evitar las rayas.

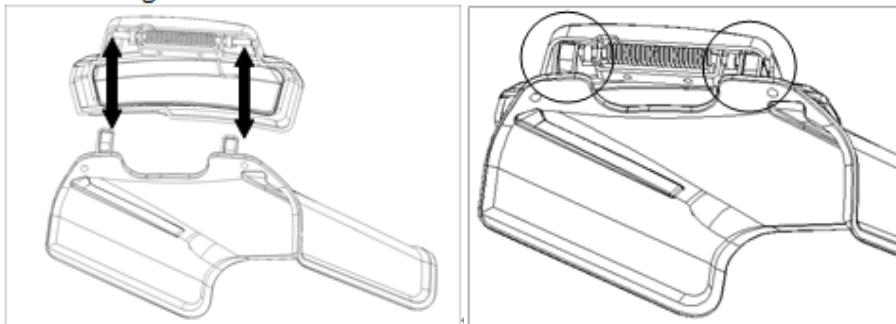
Es importante mantener la parte inferior de la plataforma de corte limpia y eliminar la acumulación de césped. Esta acumulación disminuirá la calidad del acolchado y dificultará que el equipo empaquetar el césped.

Siempre corte a lo largo de las pendientes (no arriba y abajo). Puede evitar que la cortadora de césped se deslice hacia abajo manteniendo una posición en un ángulo hacia arriba. Seleccione la altura de corte de acuerdo con la longitud de la hierba. Si es necesario, corte varias veces para que nunca corte más de 2 pulgadas de hierba de una sola vez.

Apague el motor antes de hacer cualquier revisión en la cuchilla. Tenga en cuenta que la cuchilla continúa girando durante unos segundos después de que se haya apagado el motor. Nunca intente detener manualmente la cuchilla. Verifique regularmente si la cuchilla está bien sujeta, si se encuentra en buenas condiciones y está afilada. Si no fuese así, afile la cuchilla o sustitúyala. En el caso de que la hoja choque con un objeto, apague inmediatamente el cortacésped y espere a que la hoja se detenga por completo. Luego inspeccione el estado y el montaje de la cuchilla. Reemplace las parte que estén dañadas.

Debe instalar el adaptador de acolchado para utilizar la descarga lateral.

1. En el lateral del cortacésped, levante la cubierta de descarga lateral.
1. Deslice dos ganchos de tolva de descarga lateral por debajo del pasador de bisagra que se encuentra en la cubierta de descarga lateral. Baje la tapa de descarga lateral.



Precaución: No retire la cubierta de descarga lateral en ningún momento.

Se usa como una bolsa trasera

Use cesta de recogida para coleccionar los recortes cuando estoy operando el corta cortacésped

1. Fijar cesta de recogida persigue la instrucción a la preparación del cortacésped. Los recortes de hierba se recogerán automáticamente en la bolsa en cuanto funcione el cortacésped. Opere el cortacésped hasta la cesta de recogida resulta llena.
2. Pare el motor por completo por medio de la suelta de la palanca de arranque/ parada del motor. Se asegure de que el motor haya entrado en un estado parado completamente.
3. Levante la puerta trasera de descarga y saque la cesta de recogida mientras lo remueve fuera del cortacésped. Se vierte los recortes de hierba y reinstala la cesta de recogida al final.



Advertencia: Si toca objetos extraños, pare el motor. Remueve cable de bujías de encendido, examine detenidamente el cortacésped por cualquier avería, y la repare antes de

rearrancar y operar. Vibración excesiva del cortacésped durante la operación es una indicación de la avería.

MANTENIMIENTO

Un mantenimiento rutinario adecuado de este cortacésped ayudará a prolongar la vida útil de la máquina.

Respete siempre las normas de seguridad cuando realice tareas de mantenimiento.

La garantía de este cortacésped no cubre los artículos que han sido objeto de abuso o negligencia por parte del usuario. Para recibir la cobertura completa de la garantía, el operador debe mantener el cortacésped como se indica aquí.

El cambio de la velocidad controlada por el motor invalidará la garantía del motor.

Todos los ajustes deben ser revisados al menos una vez cada temporada.

Revise periódicamente todos los sujetadores y asegúrese de que estén bien apretados.



Advertencia: Detenga siempre el motor, deje que se enfríe, desconecte el cable de la bujía antes de realizar cualquier tipo de mantenimiento en su máquina.

CUIDADO DE LA CUBIERTA

Es importante limpiar la parte inferior de la plataforma del cortacésped después de su uso para evitar la acumulación de restos de césped u otros residuos. Siga los pasos que se muestran a continuación para una limpieza adecuada.

1. Deje que el motor funcione hasta que se quede sin combustible. No intente verter el combustible del motor.
2. Desconecte el cable de la bujía. Consulte el manual del operario del motor.
3. Incline lentamente el cortacésped para que descansa sobre la carcasa.
4. Para evitar derrames de aceite, incline siempre el cortacésped de manera que el Filtro de Aire quede hacia arriba.
5. Sostenga firmemente el cortacésped, raspe y limpie la parte inferior de la plataforma con una herramienta adecuada.
6. Baje con cuidado el cortacésped sobre sus ruedas en el suelo.

Advertencia: Nunca incline el cortacésped más de 90 ° en ninguna dirección y no deje el cortacésped inclinado durante ningún período de tiempo. El aceite puede drenar hacia la parte superior del motor causando un problema de arranque.

HOJA DEL CORTACÉSPED

Para garantizar un funcionamiento seguro, todos los trabajos de afilado, balanceo y montaje de las cuchillas deben ser realizados por un centro de servicio autorizado. Para lograr resultados óptimos, recomendamos que se revise la hoja una vez al año.

Si, a pesar de toda precaución, la cuchilla entra en contacto con un obstáculo, apague el motor inmediatamente y retire el conector de la bujía. Incline el cortacésped hacia atrás y compruebe si la cuchilla está dañada. Siempre mantenga el lado con el filtro de aire hacia arriba. Las cuchillas dañadas o dobladas deben ser reemplazadas. Nunca intente enderezar una cuchilla doblada. Nunca trabaje con cuchillas dobladas o muy desgastadas, ya que esto causará en vibraciones, lo que ocasionará un daño mayor al cortacésped.



Advertencia: Riesgo de lesiones al trabajar con una cuchilla dañada.
VERIFICANDO EL ACEITE

La capacidad de aceite del cárter del motor es de 15.2 fl. onz.

Verifique el nivel de aceite del motor de acuerdo con el Programa de Mantenimiento Recomendado.

La cortadora de césped debe ser verificada antes de cada uso para determinar el nivel adecuado de aceite.

Este es un paso crítico para el arranque correcto del motor.

Para verificar el nivel de aceite:

1. Asegúrese de que la cortadora de césped esté en una superficie nivelada.
2. Limpie alrededor de llenado de aceite. Retire la varilla medidora del aceite y la limpie con un trapo limpio. Inserte la varilla medidora del aceite en la boca de llenado de aceite sin atornillarla. Retire la varilla medidora del aceite para verificar la mancha de aceite. Agregue aceite si la mancha de aceite cubre menos de la mitad de la varilla.
3. Agregue lentamente más aceite y repita el paso 2 hasta que la mancha de aceite llegue a la parte superior de la varilla. No llene el cárter con exceso.
4. Vuelva a instalar la varilla medidora de aceite.

CAMBIANDO / AGREGANDO EL ACEITE

Cambie el aceite de acuerdo con el Programa de Mantenimiento Recomendado. Cambie el aceite cuando el motor esté caliente. Esto permitirá un drenaje completo. Cambie el aceite con más frecuencia si se opera bajo cargas pesadas o altas temperaturas ambientales. También es necesario drenar el aceite del cárter si se ha contaminado con agua o suciedad. La capacidad de aceite del motor es de 15.2 fl.oz.

Agregue aceite cuando el nivel de aceite sea bajo. Para conocer el tipo y el peso adecuados de aceite, consulte la sección “RELLENO DE GAS Y ACEITE” de la sección “OPERACIÓN”.

Para volver a llenar el cárter con aceite, siga estos pasos:

1. Asegúrese de que la cortadora de césped esté en una superficie nivelada. La inclinación de la cortadora de césped al llenarla causará que el aceite fluya hacia las áreas del motor y causará daños.
¡Mantenga la cortadora de césped nivelada!
2. Retire la varilla medidora de aceite del motor.
3. Utilizando un embudo o un dispensador adecuado, agregue la cantidad correcta de aceite (15.2 fl.oz) en el cárter.
4. Vuelva a instalar la varilla medidora de aceite.

NOTA: Nunca deseche el aceite de motor usado en la basura o en un desagüe. Llame a un centro de reciclaje local o garaje de automóviles para organizar la eliminación del aceite.

MANTENIMIENTO DE LIMPIADOR DE AIRE

El mantenimiento rutinario para el purificador de aire ayudará mantener el flujo de aire adecuado al carburador. De vez en cuando, verifique que el purificador de aire esté libre de suciedad excesiva.

Consulte el Programa de Mantenimiento Recomendado para detalles del mismo:

1. Abra la tapa del purificador de aire.
2. Retire el elemento esponjoso de la carcasa.
3. Limpie la suciedad del interior de la carcasa vacía del purificador de aire vacío.
4. Lave el elemento esponjoso con detergente doméstico y agua tibia. Una pequeña cantidad de aceite en el elemento es normal y necesaria para que el motor funcione correctamente.
5. Si es necesario, reemplace el elemento de papel.
6. Vuelva a instalar el elemento esponjoso en la carcasa del purificador de aire y vuelva a instalar la cubierta.

PRECAUCIÓN: hacer funcionar el motor con elemento sucio, dañado o sin purificador de aire causará que el motor se desgaste prematuramente.

MANTENIMIENTO DE ENCHUFE DE CHISPA

La bujía es importante para el correcto funcionamiento del motor. Una buena bujía debe estar intacta,

libre de depósitos y tiene debidamente intervalo. Consulte el Programa de Mantenimiento Recomendado.

Para verificar la bujía:

1. Retire la funda de la bujía. Tenga cuidado de no rasgar el aislamiento o el cable.
2. Desatornille la bujía del motor con la llave inglesa proporcionada para bujías. Hay un espacio limitado para que la llave gire. Use ambas filas de orificios en la llave de bujías para ganar apalancamiento y aflojar el tapón.
3. Inspeccione visualmente que la bujía si o no tiene grietas o desgaste excesivo de los electrodos. Reemplace cuando sea necesario.
4. Mida el espacio del tapón con un calibre de cable. El espacio debe ser de 0.7 a 0.8mm (0.028-0.031 in).
5. Si reutiliza la bujía, use un cepillo de alambre para limpiar la suciedad alrededor de la base de la bujía y luego vuelva a abrir la bujía.
6. Atornille la bujía de nuevo en el orificio de la bujía con la llave de bujías. No apriete demasiado la bujía. El ajuste recomendado de la bujía es de ½ a ¾ de vuelta después de que la junta estanca de la bujía entra en contacto con el orificio de la bujía. Vuelva a instalar la funda de la bujía.

Programa de mantenimiento

Ítem	Acción	Antes de cada uso	Uso de 5 horas o primer mes	Uso de primeras 25 horas	Uso de 50 horas o cada 6 meses	Uso de 100 horas o cada año	Uso de 150 horas o cada dos años
Espada	Inspeccionar	x					
Tornillo de montaje de cuchilla	Inspeccionar	x					
Aceite de motor	Verificar	x					
	Cambiar		x		x ²	x	x
Filtro de aire	Verificar	x					
	Limpiar			x ¹	x ¹	x ¹	
	Reemplazar						x
Bolsa de hierba	Verificar	x					
Operación con control de cuchilla	Verificar	x				x	
Bujía	Verificar					x	
	Reemplazar						x
Depósito de combustible	Limpiar					x	
Pastillas de freno de volante	Verificar					x	
Aclaramiento valvular	Verificar-ajustar					x	
Cable de combustible	Verificar	Revise cada 2 años y reemplácelo si es necesario.					

1. Realice servicios con más frecuencia al utilizar en áreas polvorientas.
2. Cambie el aceite del motor cada 25 horas al usarse bajo cargas pesadas o altas temperaturas del aire exterior.

ALMACENAMIENTO

PRECAUCIÓN: Nunca coloque ningún tipo de cubierta de almacenamiento o lona en el CORTACÉSPED mientras aún esté caliente.

Si la cortadura de césped se está almacenando por períodos prolongados (30 días o más), drene el tanque de combustible y el recipiente del carburador.

Al almacenar el cortacésped durante largos períodos de tiempo:

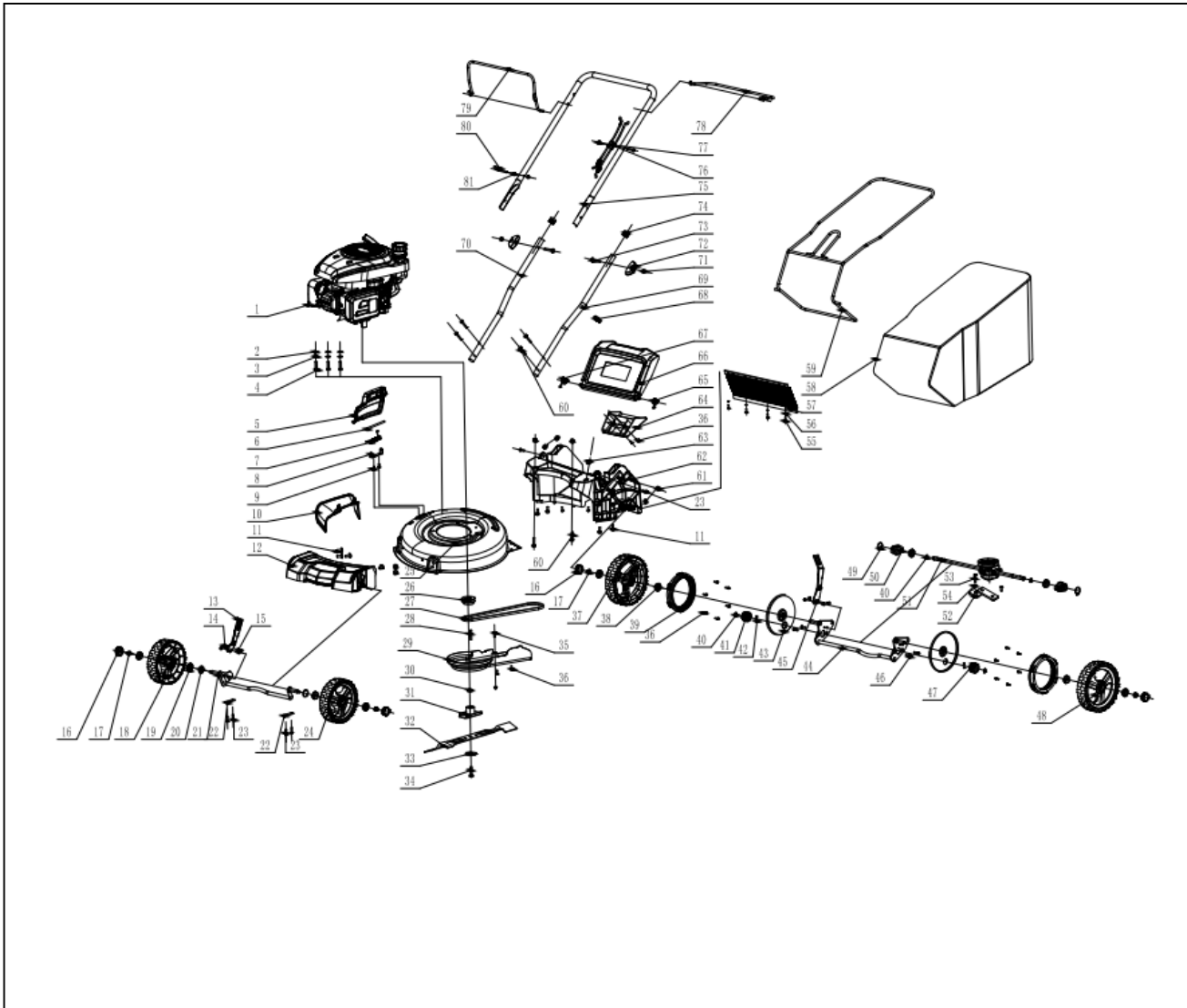
1. Arranque el motor y hágalo funcionar hasta que el tanque, la cubeta del carburador y la línea de combustible estén completamente vacíos y que el motor se pare.
2. Cambie el aceite después de cada temporada.
3. Retire la bujía. Use una lata de aceite para llenar el cilindro con aprox. 2 ml de aceite. Tire lentamente hacia atrás el mango de arranque, que bañará la pared del cilindro con aceite. Atornille la bujía de nuevo.
4. Limpie las aletas de refrigeración del cilindro y la carcasa.
5. Asegúrese de limpiar todo el equipo para proteger la pintura.
6. Almacene el equipo en un lugar bien ventilado.

NOTA: LA GARANTÍA LIMITADA no cubre daños del sistema de combustible o problemas de rendimiento del motor causados por una preparación de almacenamiento desatendida.

SOLUCIÓN DE PROBLEMAS

Problema	Causa	Solución
El motor no arranca	Palanca de arranque / parada del motor desconectada.	Conecte la palanca de arranque / parada del motor.
	Cable de bujía desconectado.	Conecte el cable de la bujía.
	Depósito de combustible vacío o combustible rancio.	Llene el tanque con gasolina limpia y fresca.
	El motor no está cebado.	Presione la pera de cebado.
	Bujía defectuosa.	Limpie, ajuste la separación, o reemplace la pieza.
	Línea de combustible bloqueada.	Limpie la línea de combustible.
	Motor inundado.	Espere unos minutos para reiniciar, no beba.
El motor funciona de forma errática.	Cable de bujía suelto.	Conecte y tense el cable de la bujía.
	Línea de combustible bloqueada o combustible rancio.	Limpie la línea de combustible. Llene el tanque con gasolina limpia y fresca. Escurrir la cubeta del carburador.
	Agua o suciedad en el sistema de combustible.	Drene el tanque de combustible. Rellene con combustible nuevo.
	Filtro de aire sucio	Por favor, consulte el manual del motor.
El motor se sobrecalienta.	Nivel de aceite del motor bajo.	Llene el cárter con aceite adecuado.
	Flujo de aire restringido.	Limpie el área circundante y superior del motor.
Marcha en vacío deficiente.	Bujía obstruida, defectuosa, o brecha demasiado ancha.	Restablezca la brecha o reemplazar la bujía.
	Limpiador de aire sucio	Por favor, consulte el manual del motor.
Vibración / ruido excesivo	Hoja suelta o desequilibrada.	Apriete y equilibre la cuchilla.
	Hoja doblada / dañada.	Reemplace la cuchilla.
El cortacésped no cubre la hierba.	Hierba mojada	No corte el césped cuando está mojado, espere hasta que esté seco para cortarlo.
Corte desigual.	Hierba excesivamente alta.	Corte una vez a una altura de corte alta, luego vuelva a cortar a la altura deseada o haga un recorrido de corte más estrecho.
	Hoja desafilada	Afile o reemplace la hoja.

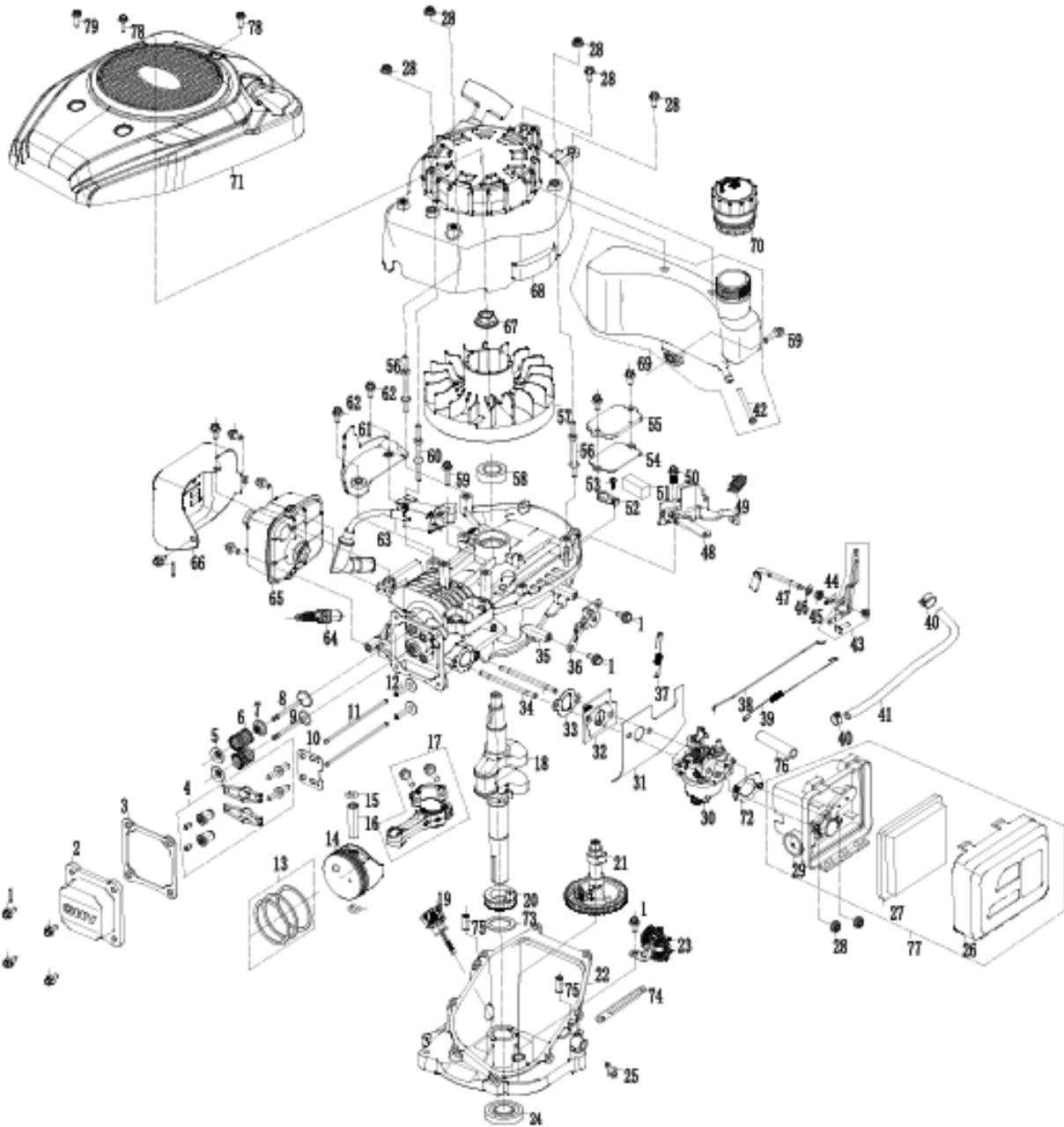
VISTA DETALLADA Y LISTADO DE PIEZAS



Item	Stock#	Description	Qty
1	303190285	Motor	1
2	303042023	Arandela plana	3
3	303041022	Arandela	3
4	303020265	Tornillo de arandela hexagonal M8 x 30 mm	3
5	203050381	Deflector de descarga lateral	1
6	303090066A	Eje del pasador de resorte	1
7	303130335	Resorte torsional	1
8	303160456	Sopote de descarga lateral	1
9	303020468	Tornillo de arandela hexagonal	3
10	203050382A	Canal de descarga lateral	1
11	303010332	Tornillo autorroscante	10
12	20305039A	Cubierta frontal	1
13	303071058	Conjunto de hoja de resorte de ajuste frontal	1
14	303030032	Contratuercas de nylon M6	4
15	303020339	Tornillo de arandela hexagonal M6X14	4
16	203050393	Cubierta de la rueda	4
17	303030077	Brida de tuerca de nylon M8	4
18	203050490	7 " Rueda derecha	1
19	203021115	Costura del eje frontal	4
20	303043005	Retenedor de eje	2
21	303180934	Costura del eje frontal	1
22	303071034	Retenedor de eje	2
23	303010216	Tornillo autorroscante	6
24	203050491	7 " Rueda izquierda	1
25	303180943A	21 " Cubierta de acero	1
26	303160454	Polea pequeña	1
27	302040073	Cinturón	1
28	303110030	Llave cuadrada	1
29	203050396	Cubierta de la correa	1
30	303160741	Arandela plana	1
31	303181119	Conector de hoja de cuchilla	1
32	303071297	21 " hoja de cuchilla	1
33	303043023A	Arandela de mariposa	1
34	303240517	Perno de cuchilla	1
35	303020341	Tornillo cuadrado	1
36	303010095	Tornillo autorroscante	16
37	203050492	8 " Rueda derecha	1
38	303100065	Rodamiento de estampación	6
39	203021209	Engranaje interno	2
40	303050007	Anillo del eje	4
41	303160470A	Engranaje de avance derecha	1

Item	Stock#	Description	Qty
42	303123017A	Pasador cilíndrico	2
43	203010851	Cubierta de defensa trasera	2
44	303180942	Costura del eje trasero de auto-impulso.	1
45	303071059	Hoja de resorte de ajuste trasero	1
46	303010185	Tornillo roscante	4
47	303160471A	Engranaje izquierdo de avance	1
48	203050493	8 " Rueda izquierda	1
49	303050050	Anillo del eje	2
50	203021208	Manguito del eje trasero	2
51	303240504A	Montaje del accionamiento	1
52	303071049A	Sopote fijo	1
53	303020308	Perno de cabeza hexagonal	2
54	303020615	Tuerca	1
55	303010176	Tornillo autorroscante	6
56	303042043	Arandela plana	4
57	302080050A	Hoja de goma	1
58	302120061	Recolector de hierba	1
59	303080491	Poseedor de recolector	1
60	303020558	Tornillo autorroscante	6
61	303030087	Tuerca cuadrada	7
62	203050400A	Base trasera	1
63	302060025	Tapón de caucho	1
64	203050389	Cubierta del bloque trasero	1
65	303130336	Cubierta trasera izquierda muelle torsional	1
66	203050390A	Cubierta trasera	1
67	303130337	Cubierta trasera derecha muelle torsional	1
68	203040007	Clip de alambre	1
69	303080488B	Tubo inferior Izquierdo	1
70	303080503B	Tubo inferior Derecho	1
71	303030026	Tuerca	2
72	203020336A	Nudo	2
73	303020057	Perno en forma T	2
74	302060012	Tapa final	2
75	303080489	Tubo superior	1
76	303200100	Cable	1
77	303030025	Tuerca de cabeza	2
78	303080502	Barra de control de accionamiento	1
79	303080509	Barra de control de corte	1
80	303160531A	Gancho	1
81	303030065	Tuerca	1

Vista detallada y listado de piezas del motor



Item	Stock#	Descripción	Cantidad
1	5787.06012.00.01	Tornillo de carrete (6 × 12)	14
2	T65.0001.001.00.00	Tapa del cilindro (1P65FE)	1
3	T65.3000.001.00.00	Junta y tapa del cilindro (1P65FE)	1
4	T65.0100.001.00.00	Base del balancín (1P65FE)	2
5	P62.0060.001.00.00	Asiento del resorte de la válvula de entrada	2
6	165.0040.001.00.00	Resorte de válvula	2
7	P62.0085.001.00.00	Bandeja colectora de aceite	2
8	T65.0020.001.00.00	Válvula de admisión	1
9	T65.0030.001.00.00	Válvula de escape	1
10	T65.1480.001.00.00	Placa de parada	1
11	T65.0160.001.00.00	Varilla de empuje	2
12	E65.1030.001.00.00	Taqué	2
13	165.0210.001.00.00	Conjunto del anillo de pistón	1
14	E65.0200.001.00.00	Pistón	1
15	160.0230.001.00.00	Abrazadera del pasador de pistón	2
16	160.0220.001.00.00	Pasador de pistón	1
17	T65.0190.001.00.00	Conjunto de enlace	1
18	T65.0180.001.61.00	cigüeñal	1
19	E65.1230.001.03.00	Conjunto del medidor de aceite	1
20	T65.0180.001.62.02	engranaje de sincronismo	1
21	T65.1040.001.62.00	Parte del árbol de levas	1
22	T65.1010.001.00.00	tapa del cárter	1
23	E65.7059.001.00.00	Conjunto de engranajes reguladores	1
24	P65.3150.006.00.00	Sello de aceite	1
25	5787.06018.00.01	Tornillo de carrete	8
26	T65.2280.001.00.01	tapa del filtro de aire	1
27	T65.2280.001.00.04	Elementos del filtro de aire	1
28	6177.06000.00.03	Contratuercas	5
29	T65.2280.001.00.05	Base del filtro de aire	1
30	T65.2260.001.00.00	Conjunto de, carburador	1
31	E65.2301.001.00.00	Protector de calor del carburador	1
32	T65.2300.001.00.00	Bloque de carburador	1
33	T65.3080.001.00.00	Junta de admisión	1
34	0900.06089.00.01	taco	2
35	T65.1000.001.00.00	caja del cigüeñal	1
36	E65.1180.001.00.00	activador	1
37	T65.1150.001.00.00	Resorte del restablecimiento	1
38	T65.2275.001.00.00	palanca del acelerador	1
39	E65.1160.001.00.00	Resorte Vernier	1
40	458.2360.007.00.00	Abrazadera	2

Item	Stock#	Descripción	Cantidad
41	E65.2330.C01.00.00	Tubo de aceite	1
42	P70.3208.001.00.00	Punta del filtro	1
43	E65.1130.A01.00.00	Brazo de control	1
44	168.1120.001.00.00	Bloqueo de la barra de oscilación del control de velocidad	1
45	P70.3150.001.00.00	sello	1
46	168.1110.001.67.00	junta	1
47	E65.1100.001.00.00	Barra de oscilación de control de velocidad	1
48	T65.7070.001.00.00	Conjunto de freno	1
49	T65.7070.001.00.02	Resorte de freno	1
50	5787.06020.00.01	Tornillo de carrete (6 × 20)	1
51	E65.7080.002.00.00	filtro de aceite	1
52	E65.7061.001.00.00	Válvula de respiración	1
53	0818.04010.00.01	Tornillo de cabeza cruzada	1
54	T65.1352.001.00.00	Junta de la tapa de la cámara de retorno de aceite	1
55	T65.1351.001.00.00	Tapa de la cámara de retorno de aceite	1
56	T65.7072.001.00.00	Taco de cubrimiento de Start	2
57	T65.2040.001.00.00	componentes del volante	1
58	P70.3150.002.00.00	Sello de aceite	1
59	5789.06025.00.01	Tornillo de carrete (6 × 25)	2
60	T65.7071.001.00.00	Taco de Encendido	1
61	T65.2230.001.00.00	deflector de viento	1
62	5787.06016.00.01	Tornillo de carrete (6 × 16)	2
63	T65.2100.001.00.00	Kit de encendido	1
64	E65.2160.001.00.00	Bujía	1
65	T65.2400.001.00.00	Silenciador	1
66	T65.2402.001.00.00	Cubierta de silenciador	1
67	6177.14000.06.01	Tornillo de carrete (M14X1.5)	1
68	T65.2000.001.00.03	Cubierta pequeña de Start	1
69	T65.3200.C02.04.00	Componentes del tanque	1
70	E65.3200.C01.04.02	Tapa del tanque de carbono	1
71	E65.2000.001.04.01	Placa de arranque Start	1
72	T65.3090.001.00.00	Junta del filtro de aire	1
73	P70.0185.001.00.00	arandela plana del cigüeñal	1
74	188.1220.002.00.00	disco de tensión	1
75	E65.3170.001.00.00	pasador de retención	2
76	E65.2370.001.00.00	tubería de desagüe	1
77	T65.2280.001.00.00	Filtro de aire	1
78	5787.05010.20.01	Tornillo de carrete 5x10	3
79	5789.06012.00.01	Tornillo de carrete 6x12	2

GARANTÍA LIMITADA DE DOS (2) AÑOS

PowerSmart se compromete a fabricar equipos que proporcione años de servicio fiable. Nuestras garantías son consistentes con nuestro compromiso y dedicación a la calidad.

GARANTÍA LIMITADA DE DOS (2) AÑOS DE LOS PRODUCTOS POWER SMART PARA USO DOMÉSTICO.

PowerSmart ("Vendedor") garantiza únicamente al comprador original que todas las herramientas eléctricas de consumo de PowerSmart estarán libres de defectos en el material o en la mano de obra por un período de dos (2) años a partir de la fecha de compra. Si la(s) herramienta(s) se usa mientras presta servicios profesionales o comerciales, la cobertura de la garantía será por un máximo de (90) días.

LA ÚNICA OBLIGACIÓN DEL VENDEDOR Y SU ÚNICO RECURSO bajo esta Garantía Limitada de Dos (2) Años y, en la medida en que lo permita la ley, cualquier garantía o condición implícita en la ley, será la reparación o el reemplazo de las piezas, sin cargo, que sean defectuosas en el material. o mano de obra y que no hayan sido mal utilizados, descuidadamente manejados o reparados indebidamente, por otra persona que no sea un Vendedor Autorizado o un Centro de Servicio.

Tenga en cuenta que las piezas por desgaste normal no están cubiertas por esta garantía. Esto incluye correas de transmisión, cuchillas y bolsas de hierba. Los problemas con el carburador, y / u otros daños encontrados como resultado de combustible obsoleto, contaminado o comprometido, no están cubiertos por esta garantía limitada.

Para realizar un reclamo bajo esta Garantía Limitada, debe devolver todo el producto de la herramienta eléctrica con los gastos de envío prepagados hasta PowerSmart. El propietario debe incluir una copia legible del recibo original, que debe incluir la fecha de compra, junto con el nombre de la compañía de donde se compró el producto.

ESTA GARANTÍA LIMITADA NO SE APLICA A NINGÚN ACCESORIO INCLUIDO CON LA HERRAMIENTA, COMO LAS HOJAS DE SIERRA CIRCULARES Y OTROS ARTÍCULOS RELACIONADOS O CUALQUIER PIEZAS DE REPUESTO LISTADAS BAJO MANTENIMIENTO.

CUALQUIER GARANTÍA IMPLÍCITA SE LIMITARÁ EN DURACIÓN A DOS (2) AÑOS A PARTIR DE LA FECHA DE COMPRA. ALGUNOS ESTADOS EN LOS ESTADOS UNIDOS Y ALGUNAS PROVINCIAS DE CANADÁ NO PERMITEN LIMITACIONES EN EL PLAZO DE LA GARANTÍA IMPLÍCITA, POR LO QUE LA LIMITACIÓN ANTES MENCIONADA NO SE APLIQUE EN SU CASO PARTICULAR.

EN NINGÚN CASO, EL VENDEDOR SERÁ RESPONSABLE POR DAÑOS INCIDENTALES O CONSECUENTES (INCLUIDOS, PERO NO ESTÁN LIMITADOS A LA RESPONSABILIDAD POR PÉRDIDA DE BENEFICIOS) DERIVADOS DE LA VENTA O USO DE ESTE PRODUCTO. ALGUNOS ESTADOS EN LOS ESTADOS UNIDOS Y ALGUNAS PROVINCIAS DE CANADÁ NO PERMITEN EXCLUSIONES O LIMITACIONES DE LOS DAÑOS INCIDENTALES O CONSECUENTES, POR LO QUE LA LIMITACIÓN O EXCLUSIÓN ANTES MENCIONADA NO SE APLIQUE EN SU CASO PARTICULAR

ESTA GARANTÍA LIMITADA LE OTORGA DERECHOS LEGALES ESPECÍFICOS, Y TAMBIÉN PUEDE TENER OTROS DERECHOS QUE VARÍAN DE ESTADO A ESTADO EN LOS ESTADOS UNIDOS, PROVINCIA DE PROVINCIA EN CANADÁ Y DE PAÍS A PAÍS.

Para preguntas, comentarios, asistencia técnica o para encargar piezas de repuesto.

Por favor llame gratis al: 1-800-791-9458 (M-F 9am - 5pm EST)

Correo electrónico: support@amerisuninc.com

POR FAVOR GUARDE TODOS SUS RECIBOS ORIGINALES. ESTA GARANTÍA NO ES VÁLIDA SIN ELLOS.