

**SIGSAUER®**



**P320-M17**

**P320-M18**

**PISTOL, SEMI-AUTOMATIC, 9MM**

**OPERATOR'S MANUAL: HANDLING & SAFETY INSTRUCTIONS**



**READ THE INSTRUCTIONS AND WARNINGS IN THIS MANUAL CAREFULLY  
BEFORE USING THIS FIREARM; DO NOT DISCARD THIS MANUAL.**

**This instruction manual should always accompany this firearm and be transferred with it upon  
ownership, or when the firearm is loaned or presented to another person.**



# WARNING

## 1.0 SAFETY WARNINGS

READ THIS ENTIRE MANUAL THOROUGHLY AND CAREFULLY PRIOR TO USING THIS SIG SAUER FIREARM.

The warnings in this operator's manual are important. By understanding the dangers inherent in the use of any firearm, and by taking the precautions described in this manual, you can experience a higher level of safety in the use of your firearm. Failure to heed any of these warnings may result in serious injury or death to you or others as well as severe damage to the firearm or other property.

As a valued SIG SAUER customer, we encourage you to visit [www.sigsauer.com](http://www.sigsauer.com). There you will find links to product information and updates, merchandise promotions, and educational videos that will be of interest to you as an owner of SIG SAUER products.

SIG SAUER firearms are designed to function reliably with proper care and knowledgeable use. You must understand the safe operation and use of your SIG SAUER firearm. Read and follow these directions carefully. Do not use the firearm unless you fully understand these instructions and the safe operation of your firearm. Failure to heed any of these directions may result in serious injury or death to you or others as well as severe damage to the firearm or other property.

Your firearm comes equipped with effective, well-designed safety features. However, never rely completely on any safety mechanism. Safety mechanisms are designed to augment, not replace, safe handling practices. Careless and improper handling of any firearm can result in an unintentional discharge. Many safeties are incorporated into your firearm. Only your safe firearm handling habits will ensure the safe use of your firearm. Like all mechanical devices, the safety is subject to breakage or malfunction and can be adversely affected by wear, abuse, dirt, corrosion, incorrect assembly, improper adjustment or repair, or lack of maintenance. Moreover, there is no such thing as a safety that is "childproof" or that can completely prevent unintentional discharge from improper usage, carelessness, or "horseplay."

The best safety is proper and applied training in safe firearms handling. Always handle your firearm as though you expect the safeties not to work.



# WARNING

# SIG SAUER®

Do not load a round into the chamber until you are ready to use the pistol. If your firearm is equipped with a manual safety, keep the safety ON and your finger off the trigger until you are ready to fire. Always move the safety to its intended position and visually check it. The safety is not ON unless it is completely ON.

## **ABUSIVE HANDLING**

All SIG SAUER firearms incorporate effective mechanical safeties. However, like any mechanical device, exposure to abusive conditions may have a negative effect on these safety mechanisms and cause them to fail to work as designed. Do not subject your SIG SAUER firearm to any type of abusive handling. This includes the firearm being dropped, impact to the firearm, or the firearm being struck by another object. Make sure you always maintain control of your firearm at all times. If your firearm does suffer an abusive event, as previously described, do not attempt to use the firearm. Keep the firearm pointed in a safe direction, unload and clear the firearm immediately, and have it inspected by a certified SIG SAUER armorer or gunsmith prior to using the firearm.

A safe direction is defined as an area in which, if the firearm were to discharge, no property damage would occur and no personal injury would result.

As previously noted, if your SIG SAUER firearm does suffer an abusive event, unload it immediately and have it inspected by a certified SIG SAUER Armorer or gunsmith prior to using the firearm. If your firearm suffers an abusive event during a life-threatening/self-defense situation, you must apply immediate action by;

1. Pulling the slide completely rearward to eject the chambered cartridge.
2. Releasing the slide to chamber a new cartridge and resetting the trigger mechanism. (Do not ride the slide forward)
3. The firearm is now returned to proper operational condition.

Intentional or repetitive abusive handling of any SIG SAUER firearm will void the manufacturer's warranty and could render the firearm unsafe.



# WARNING

## 1.0 SAFETY WARNINGS - CONTINUED

### REPLACEMENT PARTS

Do not attempt to disassemble your SIG SAUER firearm beyond the point explained in this manual. Disassembly beyond the instructions in this manual is restricted to a certified SIG SAUER armorer or professional gunsmith. Failure to comply with these restrictions will void your warranty.

Warnings and instructions about the use of some SIG SAUER replacement parts, assemblies, and accessories may be described in literature accompanying the specific products. Read and carefully follow those instructions. Such warnings and instructions are provided to assure the safe functioning of the firearm. Failure to heed them may result in improper functioning, damage to the firearm, and serious injury or death.

### ALTERATIONS

This SIG SAUER firearm was designed to function properly in its original condition. Unauthorized alterations can make it unsafe. Do not alter any part or add or substitute any parts or accessories not manufactured by SIG SAUER for this pistol. The addition of any parts or accessories beyond the user level of maintenance described in this manual are not authorized.

### ACCESSORIES

It is your responsibility to ensure that all accessories, such as holsters and firearm-mounted lights, are compatible with this firearm and that the accessories do not interfere with the safe operation and handling of the firearm. If you are lawfully carrying the firearm concealed, you must ensure that the holster you choose is made for your particular firearm and designed for the type of carry in which you intend to engage.



# WARNING

**SIG SAUER**

## TRANSPORTING

When transporting your firearm, be sure the firearm is unloaded and cleared. It is your responsibility to familiarize yourself with the laws of any state you will be traveling through with your firearm.

## STORAGE

The only safe way to store your firearm is unloaded, cleared, and secure. Safe and secure storage is one of your most important responsibilities. Store your unloaded firearm separate from your ammunition and in places inaccessible to children and unauthorized persons.

## LIABILITY

PISTOLS are classified as FIREARMS and are sold by SIG SAUER with the specific understanding that we shall not be responsible in any manner whatsoever for malfunctioning of the firearm, physical injury, or property damage resulting in whole or in part from:

- Criminal or negligent discharge
- Improper, careless, or abusive handling
- Unauthorized modifications or parts replacement
- Defective, improper, hand-loaded, or reloaded ammunition
- Corrosion
- Neglect
- Other influences beyond our direct and immediate control

This limitation applies regardless of whether liability is asserted on the basis of contract, negligence, or strict liability (including any failure to warn). Under no circumstance shall SIG SAUER, Inc. be liable for incidental or consequential damages, such as loss of use of property, commercial loss, and loss of earnings or profits.



# WARNING

## 1.0 SAFETY WARNINGS - Continued

### THE BASIC RULES OF SAFE FIREARMS HANDLING

1. ALWAYS treat every firearm as if it were loaded.
2. ALWAYS be sure that the barrel is clear of any obstruction.
3. ALWAYS be sure of your backstop, what lies beyond, and the safety of bystanders before you shoot.
4. ALWAYS use clean, dry, original factory-made ammunition of the proper type and caliber for your firearm.
5. ALWAYS wear ear protection and safety glasses when shooting.
6. ALWAYS carry your firearm so that you can control the direction of the muzzle if you fall or stumble.
7. NEVER shoot at a flat surface or water.
8. DO NOT leave an unattended firearm loaded. Firearms and ammunition should be stored separately, locked if possible, beyond the reach of children, careless adults, and unauthorized users.
9. NEVER allow your firearm to be used by anyone who has not read and understood this operator's manual.
10. DO NOT point any firearm, loaded or unloaded, at any undesired target.
11. NEVER discharge your firearm near an animal unless it is trained to accept the noise: an animal's startled reaction could injure it or cause an accident.
12. NEVER drink alcoholic beverages or take drugs before or during shooting, as your vision and judgment could be seriously impaired, making your firearm handling unsafe.



# WARNING

# SIG SAUER®

## 1.1 EYE AND EAR PROTECTION



Always wear safety glasses that meet the requirements of American National Standards Institute (ANSI) z87.1 and ear plugs and “ earmuff ”-type protectors whenever you are shooting. Always make certain that persons close to you are similarly protected. Unprotected eyes may be injured by powder, gas, carbon residue, lubricant, metallic particles, or similar debris that may emanate occasionally from any firearm in normal use. Without ear protection, repeated exposure to shooting noise may lead to cumulative, permanent hearing loss.

## 1.2 AMMUNITION

Use only high-quality, original, factory-manufactured ammunition. Do not use cartridges that are dirty, wet, corroded, bent, or damaged. Do not oil cartridges. Do not spray aerosol-type lubricants, preservative, or cleaners directly onto cartridges or where excess spray may flow into contact with cartridges. Lubricant or other foreign matter on cartridges can cause potentially dangerous ammunition malfunctions. Use only ammunition of the caliber for which your firearm is chambered. The proper caliber is permanently engraved on your firearm; never attempt to use ammunition of any other caliber.

The use of reloaded, “re-manufactured” hand-loaded, or other nonstandard ammunition voids all warranties. Reloading is a science and improperly loaded ammunition can be extremely dangerous. Severe damage to the firearm and serious injury to the shooter or to others may result. Always use ammunition that complies with the industry performance standards established by the Sporting Arms and Ammunition Manufacturers’ Institute, Inc. of the United States (SAAMI) or ammunition manufactured to military specifications.



# WARNING

## 1.2 AMMUNITION - Continued

SIG SAUER, Inc. specifically disclaims responsibility for any damage or injury whatsoever occurring in connection with, or as a result of, the use in any SIG SAUER firearm of faulty, nonstandard, “re-manufactured” hand-loaded (reloaded) ammunition, or cartridges other than those for which the firearm was originally chambered.

Firearms may be severely damaged and serious injury to the shooter or to others may result from any condition causing excessive pressure inside the chamber or barrel during firing. Excessive pressure can be caused by obstructions in the barrel, propellant powder overloads, the use of incorrect cartridges, or defectively assembled cartridges. In addition, the use of a dirty, corroded, or damaged cartridge can lead to a burst cartridge case and consequent damage to the firearm and personal injury from the sudden escape of high-pressure propellant gas within the firearm’s mechanism.

## OBSTRUCTED BORE

Immediately stop shooting and check the barrel for a possible obstruction whenever:

- You have difficulty in, or feel unusual resistance in, chambering a cartridge;
- A cartridge misfires (does not go off);
- A fired case fails to extract;
- Unburned grains of propellant powder are discovered spilled in the mechanism;
- A shot sounds weak or abnormal. In such cases, it is possible that a bullet is lodged part way down the barrel.
- Firing a subsequent bullet into the obstructed barrel can wreck the firearm and cause serious injury to the shooter or to bystanders.





# WARNING

**SIG SAUER**

Bullets can become lodged in the barrel:

- If the cartridge has been improperly loaded without propellant powder, or if the powder fails to ignite (ignition of the cartridge primer alone will push the bullet out of the cartridge case, but usually does not generate sufficient energy to expel the bullet completely from the barrel);
- If the bullet is not properly seated in the cartridge case. When such a cartridge is extracted from the chamber without being fired, the bullet may be left behind in the bore at the point where the rifling begins. Subsequent chambering of another cartridge may push the first bullet further into the bore.

If there is any reason to suspect that a bullet is obstructing the barrel, immediately unload the firearm and look through the bore. It is not sufficient to merely look in the chamber. A bullet may be lodged some distance down the barrel where you cannot easily see it.

If a bullet is in the bore, do not attempt to shoot it out by using another cartridge or by blowing it out with a blank or one from which the bullet has been removed. Such techniques can generate excessive pressure, wreck the firearm, and cause serious personal injury.

If the bullet can be removed by using a cleaning rod, clean any unburned powder grains from the bore, chamber, and fire control assembly before resuming shooting. If the bullet cannot be dislodged by tapping it with a cleaning rod, take the firearm to a gunsmith.

Dirt, corrosion, or other foreign matter on a cartridge can impede complete chambering and may cause the cartridge case to burst upon firing. A damaged or deformed cartridge may also impede chambering performance and cause the cartridge case to burst upon firing.

Do not lubricate cartridges, and be sure to wipe the chamber clean of any oil or preservative before shooting. Oil interferes with the friction between cartridge case and chamber wall that is necessary for safe functioning, and subjects the firearm to stress similar to that imposed by excessive pressure.



# WARNING

## 1.2 AMMUNITION - Continued

Use lubricants sparingly on the moving parts of your firearm. Avoid excessive spraying of any aerosol gun care product, especially where it might get on ammunition. All lubricants and aerosol spray lubricants in particular can penetrate cartridge primers and cause misfires. Some highly penetrative lubricants can also migrate inside cartridge cases and cause deterioration of the propellant powder; on firing, the powder might not ignite. If only the primer ignites, there is danger that the bullet may become lodged in the barrel.

Death, serious injury, and damage can result from the use of wrong ammunition, bore obstructions, powder overloads, or incorrect cartridge components. Always wear shooting glasses and hearing protectors. Improper ammunition destroys firearms.



**WARNING: CANCER AND REPRODUCTIVE HARM—[www.P65warning.ca.gov](http://www.P65warning.ca.gov)**



**Discharging firearms in poorly ventilated areas, cleaning firearms, or handling ammunition may result in exposure to lead and other substances known to cause birth defects, reproductive harm, and other serious physical injury. Maintain adequate ventilation at all times. Wash hands thoroughly after exposure. Shooting or cleaning firearms may expose you to lead.**



# WARNING

# SIG SAUER®

## 1.3 STATE-BY-STATE WARNINGS

Certain states require, by law, that their own specified warning notices, in larger-than-normal type be conspicuously included by the manufacturer, distributor, or retail dealer with firearms sold in that state. SIG SAUER sells its products in compliance with applicable laws and regulations. Because our products may be sold in these states, we include the following:

### CALIFORNIA:



#### WARNING

Firearms must be handled responsibly and securely stored to prevent access by children and other unauthorized users. California has strict laws pertaining to firearms, and you may be fined or imprisoned if you fail to comply with them. Visit the Web site of the California Attorney General at <https://oag.ca.gov/firearms> for information on firearm laws applicable to you and how you can comply. Prevent child access by always keeping guns locked away and unloaded when not in use. If you keep a loaded firearm where a child obtains and improperly uses it, you may be fined or sent to prison.”

Las armas de fuego deben manipularse de manera responsable y segura para evitar el acceso de niños y otros usuarios no autorizados. California tiene leyes estrictas relacionadas con armas de fuego, y usted puede ser multado o encarcelado si no las cumple. Visite el sitio web del fiscal general de california en <https://oag.ca.gov/firearms> para obtener información sobre las leyes de armas de fuego que son aplicables y cómo puede cumplirlas. Evite el acceso de niños manteniendo siempre las armas bloqueadas y descargadas cuando no estén en uso. Si mantiene un arma de fuego cargada donde un niño la puede obtener y la usa indebidamente, se le puede multar o enviar a prisión.



# WARNING

**CONNECTICUT:**

“UNLAWFUL STORAGE OF A LOADED FIREARM MAY RESULT IN IMPRISONMENT OR FINE.”

**FLORIDA:**

“IT IS UNLAWFUL, AND PUNISHABLE BY IMPRISONMENT AND FINE, FOR ANY ADULT TO STORE OR LEAVE A FIREARM IN ANY PLACE WITHIN THE REACH OR EASY ACCESS OF A MINOR UNDER 18 YEARS OF AGE OR TO KNOWINGLY SELL OR OTHERWISE TRANSFER OWNERSHIP OR POSSESSION OF A FIREARM TO A MINOR OR A PERSON OF UNSOUND MIND.”



# WARNING

# SIG SAUER®

## MASSACHUSETTS:

### “WARNING FROM THE MASSACHUSETTS ATTORNEY GENERAL:

This handgun is not equipped with a device that fully blocks use by unauthorized users. More than 200,000 firearms like this one are stolen from their owners every year in the United States. In addition, there are more than a thousand suicides each year by younger children and teenagers who get access to firearms. Hundreds more die from accidental discharge. It is likely that many more children sustain serious wounds, or inflict such wounds accidentally on others. In order to limit the chance of such misuse, it is imperative that you keep this weapon locked in a secure place and take other steps necessary to limit the possibility of theft or accident. Failure to take reasonable preventative steps may result in innocent lives being lost, and in some circumstances may result in your liability for these deaths.”

“IT IS UNLAWFUL TO STORE OR KEEP A FIREARM, RIFLE, SHOTGUN OR MACHINE GUN IN ANY PLACE UNLESS THAT WEAPON IS EQUIPPED WITH A TAMPER RESISTANT SAFETY DEVICE OR IS STORED OR KEPT IN A SECURELY LOCKED CONTAINER.”



# WARNING

## **MAINE:**

“ENDANGERING THE WELFARE OF A CHILD IS A CRIME. IF YOU LEAVE A FIREARM AND AMMUNITION WITHIN EASY ACCESS OF A CHILD, YOU MAY BE SUBJECT TO FINE, IMPRISONMENT OR BOTH. KEEP FIREARMS AND AMMUNITION SEPARATE. KEEP FIREARMS AND AMMUNITION LOCKED UP. USE TRIGGER LOCKS.”

## **MARYLAND:**

“WARNING: Children can operate firearms which may cause death or serious injury. It is a crime to store or leave a loaded firearm in any location where an individual knew or should have known that an unsupervised minor would gain access to the firearm. Store your firearm responsibly!”

## **NEW JERSEY:**

“IT IS A CRIMINAL OFFENSE TO LEAVE A LOADED FIREARM WITHIN EASY ACCESS OF A MINOR.”

## **NEW YORK CITY, NY:**

“THE USE OF A LOCKING DEVICE OR SAFETY LOCK IS ONLY ONE ASPECT OF RESPONSIBLE WEAPON STORAGE. ALL WEAPONS SHOULD BE STORED UNLOADED AND LOCKED IN A LOCATION THAT IS BOTH SEPARATE FROM THEIR AMMUNITION AND INACCESSIBLE TO CHILDREN AND ANY OTHER UNAUTHORIZED PERSONS. NEW YORK CITY LAW PROHIBITS, WITH CERTAIN EXCEPTIONS, ANY PERSON FROM ACQUIRING MORE THAN ONE FIREARM, OR MORE THAN ONE RIFLE OR SHOTGUN, WITHIN A 90-DAY PERIOD.”



# WARNING

# SIG SAUER®

## **NORTH CAROLINA:**

Any person who resides in the same premises as a minor, owns or possesses a firearm, and stores or leaves the firearm (i) in a condition that the firearm can be discharged and (ii) in a manner that the person knew or should have known that an unsupervised minor would be able to gain access to the firearm, is guilty of a Class 1 misdemeanor if a minor gains access to the firearm without the lawful permission of the minor's parents or a person having charge of the minor and the minor:

- (1) Possesses it in violation of G.S. 14-269.2(b)
- (2) Exhibits it in a public place in a careless, angry, or threatening Manner;
- (3) Causes personal injury or death with it not in self defense; or
- (4) Uses it in the commission of a crime.

## **TEXAS:**

"IT IS UNLAWFUL TO STORE, TRANSPORT, OR ABANDON AN UNSECURED FIREARM IN A PLACE WHERE CHILDREN ARE LIKELY TO BE AND CAN OBTAIN ACCESS TO THE FIREARM."

## **WISCONSIN:**

"IF YOU LEAVE A LOADED FIREARM WITHIN THE REACH OR EASY ACCESS OF A CHILD YOU MAY BE FINED OR IMPRISONED OR BOTH IF THE CHILD IMPROPERLY DISCHARGES, POSSESSES, OR EXHIBITS THE FIREARM."

Please check with your licensed retailer, state police, or local police for additional warnings, which may be required by local law or regulation. Such regulations change constantly, and local authorities are in the best position to advise you on such legal matters.



# WARNING

## 1.4 LOCKING DEVICES



This firearm was originally sold with a key-operated locking device. Although it can help provide secure storage for your unloaded firearm, any locking device can fail. All firearms are designed to fire if they are loaded and the trigger is pressed. Therefore, never install the locking device inside the trigger guard or in any way that makes it possible to press the trigger! Do not leave the keys in the lock.

The ultimate responsibility for secure storage of any firearm must depend upon its owner and his or her individual circumstances. Firearms should be stored unloaded, in a secure location, separate from their ammunition.

To maximize effectiveness and reduce the chances of malfunction or damage to a firearm, ALWAYS refer to the locking device's manufacturer directions for installation and removal of the device.

## 1.5 SAFETY INFORMATION

### FIREARMS SAFETY IS YOUR RESPONSIBILITY

This operator's manual is designed to assist you in learning how to use and care for your SIG SAUER® pistol properly.

Only when you are certain that you fully understand this manual and can properly carry out its instructions, should you practice loading and firing your firearm with live ammunition. Having a firearm in your possession is a full-time job; you cannot guess and you cannot forget. You must know how to use your firearm safely.





**WARNING**

**SIG SAUER®**

## **1.5 SAFETY INFORMATION - Continued**

If you have any doubts about your ability to handle or use this firearm safely, you should seek supervised instruction. The SIG SAUER Academy® provides all levels of firearms safety and skill training, from beginner to expert.

For more information contact:

**SIG SAUER®**  
**ACADEMY**

sigsaueracademy.com • (603) 610-3400

Epping, New Hampshire

**SAFETY MUST BE THE FIRST AND CONSTANT CONSIDERATION OF EVERY PERSON WHO HANDLES FIREARMS AND AMMUNITION.**

For more information about safety, responsible firearms ownership, and shooting sports, contact:

National Rifle Association (NRA) of America  
11250 Waples Mill Road, Fairfax, VA 22030-7400 • 1-800-672-3888  
nra.com

# P320-M17

1.0 Safety Warnings.....	2
2.0 Operational Characteristics and Weapon Theory .....	20
2.1 Weapon Description .....	20
2.2 Main Parts .....	21
3.0 Operation .....	22
3.1 Preparation Instructions.....	22
3.2 Manual Safety .....	22
3.3 Loading the Magazine.....	24
3.4 Loading the Pistol (Ready to Fire).....	25
3.5 Reloading During Shooting.....	26
3.6 Function Verification - Loaded Chamber Indicator (LCI).....	28
4.0 Preventive Maintenance Checks and Services (PMCS) .....	30
4.1 PMCS Procedures.....	30
5.0 Firing the Pistol .....	36
5.1 Minimizing Stoppages.....	37
5.2 Immediate Action.....	38
6.0 Unloading the Pistol .....	40
6.1 Unloading Magazine .....	40
6.2 Unloading the Pistol (Magazine Not Empty).....	41
6.3 Unloading the Pistol (Magazine Empty) .....	42
7.0 Operation in Adverse Environments .....	43

# P320-M18

8.0	Maintenance .....	45
8.1	Disassembly .....	45
8.2	Magazine Disassembly.....	48
8.3	Cleaning .....	49
8.4	Lubrication Guide .....	52
8.5	Assembly.....	53
8.6	Magazine Assembly.....	55
8.7	Function Verification.....	56
8.8	Magazine Catch Reversal.....	57
8.9	Changing the Grip Module.....	60
9.0	Troubleshooting .....	62
10.0	Sights .....	66
11.0	Service and Parts Policy .....	68
11.1	Parts Policy .....	68
11.2	Service Policy .....	69
11.3	Shipping Firearms .....	70
12.0	P320-M17 Parts Diagram .....	72
12.1	P320-M18 Pats Diagram .....	73
12.2	Technical Specifications .....	74
Appendix A.	Expendable Supply List .....	76
SIG SAUER	Warranty .....	77

# P320-M17

## 2.0 Operational Characteristics and Theory

### 2.1 Description – P320-M17 and M18

#### 2.1.1. General

The SIG SAUER P320 M17 and M18 pistols are modern handguns incorporating the latest technical advances in firearm design for military and law enforcement. The firearm is a mechanically locked, short recoil operated pistol with semi-automatic reloading. Firing takes place with each press of the trigger until the magazine is empty. The slide remains open after the last round has been fired from the magazine.

#### 2.1.2 Features

The automatic striker assembly lock and manual safety ensures safe carrying of the firearm.

Distinctive high-contrast sights, in conjunction with the ergonomically correct grip, ensure rapid target acquisition and engagement, even under poor lighting conditions.

Interchangeable grip modules of different sizes allow for optimal adaptation of the firearm to the individual user.

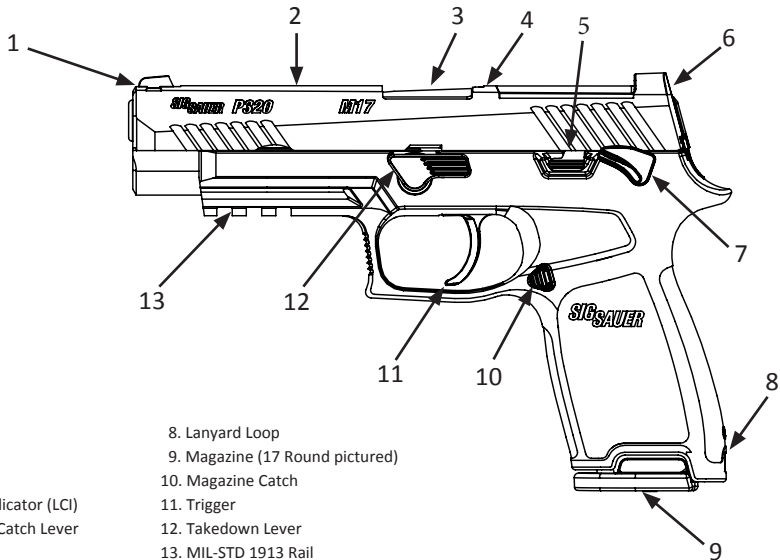
A loaded chamber indicator provides a physical and visual method of identifying that there is a round in the chamber.

A MIL-STD 1913 rail is integrated into the grip module, facilitating the easy attachment of industry standard tactical accessories.

The closed design of the pistol helps keep dirt and other debris from entering the pistol, ensuring proper function in adverse environmental conditions.

# P320-M18

## 2.2 Main Parts



1. Front sight

2. Slide

3. Barrel

4. Loaded Chamber Indicator (LCI)

5. Ambidextrous Slide Catch Lever

6. Rear Sight Plate

7. Ambidextrous Manual Safety

8. Lanyard Loop

9. Magazine (17 Round pictured)

10. Magazine Catch

11. Trigger

12. Takedown Lever

13. MIL-STD 1913 Rail

# P320-M17

## 3.0 Operation

### 3.1 Preparation Instructions

Prior to firing the pistol for the first time, we strongly suggest you perform an initial cleaning and lubrication of the pistol once it is unpacked. Any fouling present will have been from final range firing at the factory prior to shipping. Please refer to Section 8.3 for instructions pertaining to cleaning the pistol. If you have the pistol and



## WARNING - MUZZLE MANAGEMENT



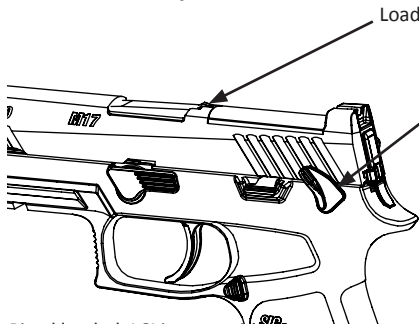
**ALWAYS MAKE SURE MUZZLE IS POINTED IN A SAFE DIRECTION! NEVER ATTEMPT TO LOAD OR UNLOAD ANY FIREARM INSIDE A VEHICLE, BUILDING, OR OTHER CONFINED SPACE (EXCEPT A PROPERLY CONSTRUCTED SHOOTING RANGE). ENCLOSED AREAS OFFER NO COMPLETELY SAFE DIRECTION TO POINT THE FIREARM; IF PISTOL IS UNINTENTIONALLY DISCHARGED, THERE IS GREAT RISK OF BODILY INJURY OR PROPERTY DAMAGE. BEFORE LOADING, ALWAYS CLEAN ALL GREASE AND OIL FROM BORE AND CHAMBER, AND CHECK TO BE CERTAIN THAT NO OBSTRUCTION IS IN THE BARREL. ANY FOREIGN MATTER IN BARREL COULD RESULT IN A BULGED OR BURST BARREL, DAMAGE TO THE FIREARM, AND SERIOUS INJURY TO THE SHOOTER OR TO OTHERS.**

### 3.2 Manual Safety.

The SIG P320-M17 and M18 pistols come equipped with an ambidextrous manual safety. The manual safety mechanically blocks the movement of the trigger bar so the trigger cannot be pressed to the rear. To engage the manual safety, rotate the safety lever upward with the thumb of the firing hand. The manual safety is ambidextrous. Pressing up on the lever from either side will rotate the opposite lever upward, engaging the manual safety. The slide can still be manipulated with the manual safety engaged.

# P320-M18

## 3.2 Manual Safety - Continued

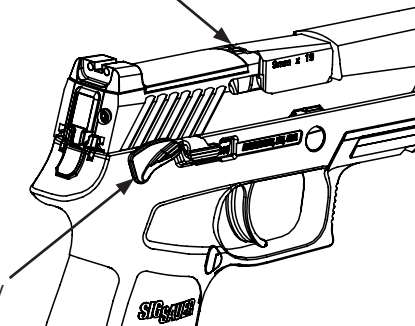


Loaded Chamber Indicator (LCI)

Left Side Manual Safety

Loaded Chamber Indicator

Pistol loaded. LCI in up position.  
Manual Safety lever up in engaged position



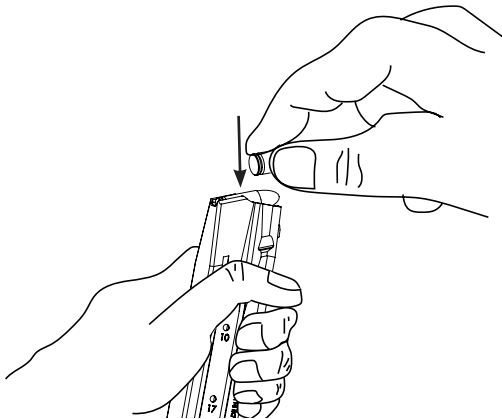
Right Side Manual Safety

Pistol unloaded. LCI down.  
Manual Safety lever in down disengaged position.

# P320-M17

## 3.3 Loading the Magazine

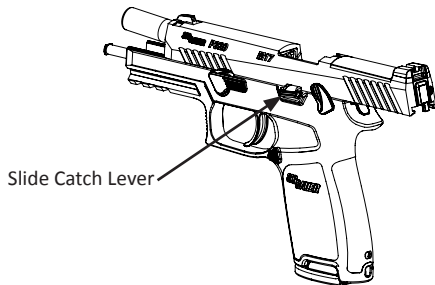
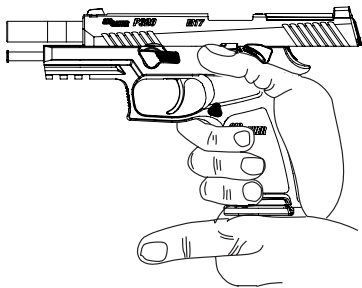
1. Ensure the magazine is the proper type and caliber for the pistol.
2. Press down on the magazine follower with the cartridge case rim. Ensure the bullet is facing the front of the magazine.
3. Push the cartridge to the rear and under the magazine lips.
4. Repeat until the magazine holds the desired number of cartridges. Do not attempt to insert more cartridges than the magazine designed capacity.





## 3.4 Loading the Pistol (Ready to fire)

1. Point pistol in a safe direction and engage manual safety.
2. Fully retract slide and lock slide to the rear by pushing up on slide catch lever.
3. Visually and physically inspect chamber to ensure it is clear.
4. Inspect breech face and magazine well for any foreign debris.
5. Insert a loaded magazine pushing it up into grip module until it locks in place. You should hear an audible click.
6. Release the slide by either:
  - a. Pressing down on the slide catch lever releasing the slide forward, chambering a cartridge.
  - b. Slightly pull back on the slide and release it to chamber a cartridge. Do not ride the slide forward. Failure to properly complete step b may induce a stoppage.



# P320-M17

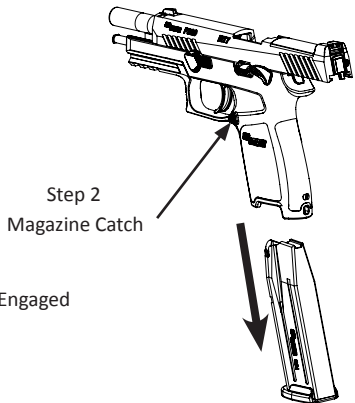
## 3.5 Reloading During Shooting

When the last round in the magazine is expended, the slide will be locked back in the open position by the slide catch lever.

1. Press up on manual safety lever to engage safety.
2. Press the magazine catch to release empty magazine.



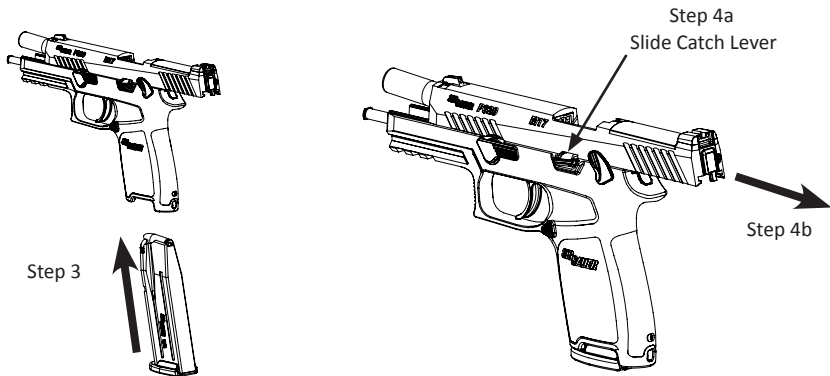
Step 1  
Manual Safety Engaged



Step 2  
Magazine Catch

# P320-M18

3. Insert loaded magazine.
  4. Release slide by either:
    - a. Pressing down slide catch lever.
    - b. Pulling back on slide to release slide catch lever allowing slide to go forward.
- \*Loaded chamber indicator should now be in the up position.



# P320-M17

## 3.6 Function Verification – Loaded Chamber Indicator (LCI)

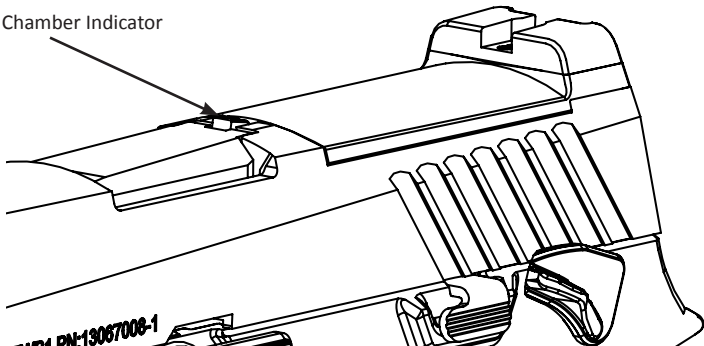


### WARNING - LOADED PISTOL



The P320-M17 and M18 Loaded Chamber Indicator is a spring loaded device that is located in the slide assembly. The LCI extends from the breech face and when a cartridge is loaded into the chamber the LCI will protrude upwards at the rear of the ejection port through the top of the slide. The LCI can be seen visually by the shooter in normal daylight or physically felt in limited visibility conditions.

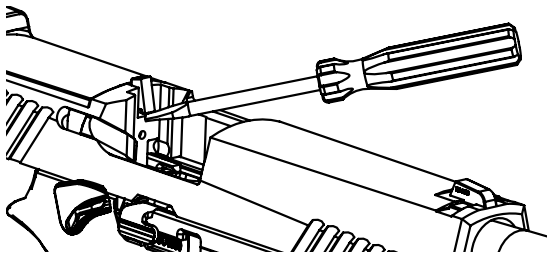
Loaded Chamber Indicator



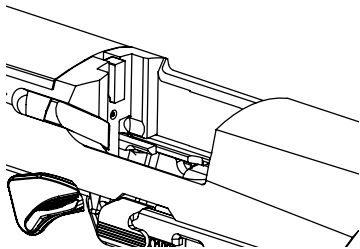
## NOTE

To check the function of the LCI the slide must be locked to the rear.

1. Using a small tool, lift upward on the LCI at the breech face.
2. The LCI should protrude from the top of the slide just in front of the rear sight plate.
3. Release upward pressure on the LCI. The spring should be strong enough to return it to its flush /lowered position.



LCI in UP Position



LCI in Down Position

# P320-M17

## 4.0 Preventive Maintenance Checks And Services (PMCS)

There are three (3) intervals of PMCS as indicated in the PMCS table.

- Before You Operate. Perform your before (B) PMCS)
- During Operation. Perform your during (D) PMCS.
- After Operation. Perform your after (A) PMCS.

If the pistol fails to operate refer to Troubleshooting Section of this manual.

### 4.1 PMCS Procedures

The PMCS table lists those required checks and services to be performed by personnel who are issued and operate the SIG P320-M17 and M18 pistol.

The table is organized as follows:

Column 1: Item number.

Column 2: Before Operation Service (B). This service ensures the pistol is ready for operation.

Column 3: During Operation Service (D). Periodic checks to ensure the pistol is functioning properly.

Column 4: After Operation Service (A). This service should correct, where possible, all operational issues encountered during use so the pistol remains functional and in service.

Column 5: This column lists the item to be inspected and designates Not Ready/Available status which renders the pistol not ready for service.



## WARNING - UNLOAD/CLEAR



**BEFORE BEGINNING ANY INSPECTION OR SERVICE YOU MUST CLEAR THE PISTOL. VISUALLY AND PHYSICALLY INSPECT THE CHAMBER TO ENSURE IT CLEAR OF ANY AMMUNITION. DO NOT KEEP LIVE AMMUNITION IN THE WORK AREA. REFER TO SECTION 7.0 FOR UNLOADING THE PISTOL AND MAGAZINE PROCEDURE.**

# P320-M18

ITEM	INTERVAL			ITEM TO BE INSPECTED/EQUIPMENT NOT READY/AVAILABLE IF:
	B	D	A	
1	<ul style="list-style-type: none"><li>•</li></ul>			<b>EQUIPMENT.</b> Check any additional accessories for completeness and serviceability.
2	<ul style="list-style-type: none"><li>•</li></ul>			<b>P320-M17 and M18.</b> Visually inspect the entire pistol for damage or missing components
3	<ul style="list-style-type: none"><li>•</li></ul>			<b>MAGAZINE CATCH.</b> <b>a. Insert an empty magazine into the magazine well until fully seated. Hold pistol in upright position. Magazine should remain locked into the magazine well.</b> <b>Equipment is NOT READY/AVAILABLE IF: Magazine falls free.</b> <b>b. Depress the magazine release button. Magazine should fall free under its own weight.</b> <b>Equipment is NOT READY/AVAILABLE IF: Magazine does not fall free.</b>

# P320-M17

ITEM	INTERVAL			ITEM TO BE INSPECTED/EQUIPMENT NOT READY/AVAILABLE IF:
	B	D	A	
4	<ul style="list-style-type: none"><li>•</li></ul>			<p><b>AMBIDEXTROUS SLIDE CATCH LEVER.</b></p> <p>a. Install an empty magazine into the magazine well.</p> <p>b. Fully retract the slide rearward.</p> <p>c. Magazine follower should push the slide catch lever upward locking the slide to the rear.</p> <p>Equipment is <b>NOT READY/AVAILABLE IF:</b> Slide does not lock to the rear and returns to forward position.</p>
5	<ul style="list-style-type: none"><li>•</li></ul>			<p><b>MAGAZINE ASSEMBLY.</b></p> <p>a. Visually inspect the magazine for missing or damaged parts.</p> <p>Equipment is <b>NOT READY/AVAILABLE IF:</b> Parts are missing or damaged.</p> <p>b. Check follower for free movement within the magazine tube by depressing the follower with your finger.</p> <p>Equipment is <b>NOT READY/AVAILABLE IF:</b> Follower binds in magazine tube and does not return to the top of the magazine.</p>



# P320-M18

ITEM	INTERVAL			ITEM TO BE INSPECTED/EQUIPMENT NOT READY/AVAILABLE IF:
	B	D	A	
7	•	•		<b>PERIODIC INSPECTION OF PISTOL AND MAGAZINE.</b> a. Periodically inspect the pistol and magazine to ensure they are clean. b. Clean and lubricate the pistol and magazine daily when in use.
8			•	<b>P320-M17 and M18 PISTOL.</b> a. Disassemble the pistol and clean and lubricate according to instructions in Section 9.3. b. Inspect all parts for serviceability. <b>Equipment NOT READY/AVAILABLE IF: Any parts require replacement.</b>

# P320-M17

ITEM	INTERVAL			ITEM TO BE INSPECTED/EQUIPMENT NOT READY/AVAILABLE IF:
	B	D	A	
9			<ul style="list-style-type: none"><li>•</li></ul>	<p><b>MAGAZINE ASSEMBLY.</b></p> <p>a. Disassemble the magazine.</p> <p>b. Clean and lubricate the magazine and its components according to instructions in Section 9.3.</p> <p>c. Inspect all parts for serviceability.</p> <p><b>Equipment NOT READY/AVAILABLE IF: Any parts require replacement.</b></p>
10	<ul style="list-style-type: none"><li>•</li></ul>		<ul style="list-style-type: none"><li>•</li></ul>	<p><b>PERFORM FUNCTION CHECK.</b></p> <p>a. Perform a safety/function check according to Section 9.7.</p> <p><b>Equipment NOT READY/AVAILABLE IF: Function check cannot be properly completed.</b></p>



## WARNING - TRIGGER FINGER CONTROL



**KEEP THE MUZZLE POINTED IN A SAFE DIRECTION. KEEP YOUR FINGER OFF THE TRIGGER AND OUT OF THE TRIGGER GUARD WHEN COCKING ANY FIREARM.**

Never discharge any firearm with your finger, hand, face, or other part of your body over or adjacent to the ejection port, or in any position where you may be struck by reciprocating movement of the slide. Both the ejection of empty cartridge cases and the movement of the slide are part of the normal operating cycle of firearms, and pose no safety hazard to the shooter if the firearm is held in a normal grip and fired at arm's length.

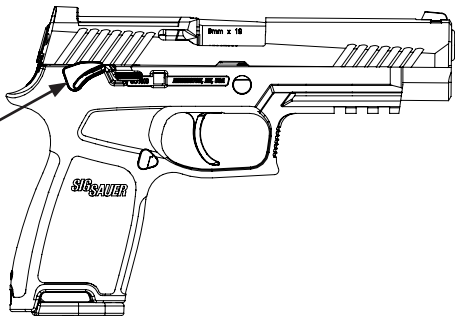
Never allow other persons to stand beside you where they might be struck by an ejected cartridge case. The case is hot, and may be ejected with sufficient force to cause a burn, cut, or other injury. Wear safety glasses to protect eyes. Make certain there is a clear, unobstructed path for safe ejection of the fired case. Remember, the case may bounce off a hard object nearby and strike you or someone else.

# P320-M17

## 5.0 Firing the Pistol

1. Aim the pistol at the target
2. Disengage the manual safety.

Ambidextrous Manual Safety Lever  
(Right side shown)



3. Keep the pistol aimed at the target and press the trigger to the rear. Continue to fire as required or until the pistol is empty.
4. Remove the magazine, unload and clear the pistol as described in Section 6.0 Unloading the Pistol. If the pistol is fired until the magazine is empty, the slide will remain locked to the rear. If firing is to continue, reload the pistol as described in Section 3.5 Reloading During Shooting.

## 5.1 Minimizing Stoppages

Stoppages can largely be avoided by cleaning and lubricating the pistol as described in Section 8.3 Cleaning the Pistol.

- After each firing session
- Whenever a buildup of firing residue is suspected
- Whenever the pistol is exposed to extreme environmental conditions (rain, snow, freezing temperatures, etc.).



### **WARNING - STOPPAGES**



**IF, WHILE SHOOTING, YOUR FIREARM DEVELOPS A STOPPAGE OR BINDING, OR “SPITS” POWDER/GAS, OR IF A CARTRIDGE PRIMER IS PUNCTURED, OR A CARTRIDGE CASE IS BULGED OR RUPTURED, OR IF THE REPORT ON FIRING DOES NOT SOUND QUITE RIGHT, STOP SHOOTING IMMEDIATELY! IT MAY BE DANGEROUS TO CONTINUE. UNLOAD/CLEAR THE FIREARM – DO NOT TRY “ONE MORE SHOT. EVACUATE THE FIREARM AND AMMUNITION TO A GUNSMITH OR CERTIFIED SIG SAUER ARMORER FOR EXAMINATION.**

**IF A BULLET IS IN THE BORE, DO NOT ATTEMPT TO SHOOT IT OUT BY USING ANOTHER CARTRIDGE, OR BY BLOWING IT OUT WITH A BLANK OR A CARTRIDGE FROM WHICH THE BULLET HAS BEEN REMOVED. THIS CAN GENERATE EXCESSIVE PRESSURE, DAMAGE THE FIREARM AND CAUSE SERIOUS PERSONAL INJURY OR DEATH. EVACUATE THE FIREARM AND AMMUNITION TO A GUNSMITH OR CERTIFIED SIG SAUER ARMORER FOR EXAMINATION. DO NOT TOUCH THE TRIGGER UNTIL YOU ARE ACTUALLY READY TO FIRE THE PISTOL.**

# P320-M17

## 5.2 Immediate Action

Immediate action is the prompt action taken by the user to correct a stoppage and continue to fire the pistol without attempting to investigate the cause.

Clearing a stoppage

Slide forward and pistol fails to fire

During the following procedure remove finger from the trigger and keep muzzle pointed in a safe direction.

- a. Engage the manual safety by rotating the lever upward (you will still be able to retract the slide to the rear).
- b. Push up on the magazine making sure it is fully seated.
- c. Retract the slide completely to the rear and release it.
- d. Acquire target, disengage manual safety and attempt to fire the pistol.
- e. If the pistol still fails to fire after applying immediate action, a detailed inspection should be made to determine the possible cause of the stoppage. If the cause cannot be determined by the operator, the pistol should be evacuated to a gunsmith or certified SIG SAUER armorer for examination.

Slide is not fully seated or expended case is stuck in ejection port, pistol fails to fire

During the following procedure remove finger from the trigger and keep muzzle pointed in a safe direction.

- a. Engage the manual safety by rotating the lever upward.
- b. Depress the magazine catch and remove the magazine.
- c. Retract and lock the slide to the rear by pressing up on the slide catch lever.
- d. Visually inspect the chamber and bore and remove any obstructions.
- e. Insert another loaded magazine.
- f. Release the slide by either depressing the slide catch lever or retracting the slide and releasing it.
- g. Acquire target, disengage manual safety and attempt to fire the pistol.

- h. If the pistol still fails to fire after applying immediate action a detailed inspection should be made to determine the possible cause of the stoppage. If the cause cannot be determined by the operator, the pistol should be evacuated to a gunsmith or certified SIG SAUER armorer for examination.



## WARNING - COOK OFF



**IF YOUR PISTOL STOPS FIRING WITH A LIVE ROUND IN THE CHAMBER OF A HOT BARREL (A MISFIRE OR STOPPAGE), REMOVE THE ROUND IMMEDIATELY. IF YOU CANNOT REMOVE THE ROUND WITHIN 10 SECONDS, REMOVE THE MAGAZINE AND WAIT AT LEAST 15 MINUTES WITH THE PISTOL POINTING IN A SAFE DIRECTION. THIS WAY, NEITHER THE USER NOR ANY OTHER PERSON WOULD BE INJURED BY THE POSSIBILITY OF A ROUND “COOKING-OFF” (A ROUND DETONATING DUE TO THE HEAT OF THE BARREL). KEEP YOUR FACE AWAY FROM THE EJECTION PORT WHILE CLEARING A HOT CHAMBER.**



## WARNING - EJECTION



**THE SLIDE OPENS AND SHUTS QUICKLY WHILE FIRING. KEEP FACE AND HANDS AWAY FROM IT. HOT BRASS AND POWDER GAS IS EJECTED QUICKLY AND CAN BURN YOU. ALWAYS WEAR SAFETY GLASSES AND HEARING PROTECTORS.**

**SLIDE OPENS FAST – HOT BRASS EJECTED**

# P320-M17

## 6.0 Unloading the Pistol



### WARNING - LOADED PISTOL

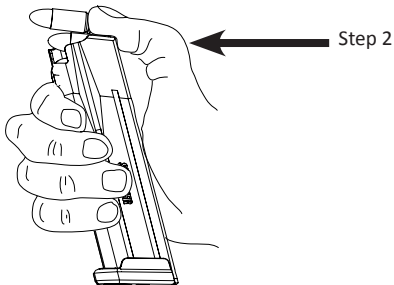


REMOVING CARTRIDGES FROM THE MAGAZINE DOES NOT PREVENT THE PISTOL FROM BEING FIRED! WHEN THERE IS A CARTRIDGE IN THE CHAMBER, THE CARTRIDGE WILL DISCHARGE IF THE TRIGGER IS PULLED. IT IS ABSOLUTELY ESSENTIAL FOR THE USER TO KNOW HOW TO COMPLETELY UNLOAD THE PISTOL. "COMPLETELY" MEANS EMPTYING THE MAGAZINE AND REMOVING A CHAMBERED CARTRIDGE.

PISTOL WILL FIRE WITH MAGAZINE EMPTY OR REMOVED IF THERE IS A LIVE CARTRIDGE IN THE CHAMBER

### 6.1 Unloading Magazine

1. Grasp magazine by the magazine tube.
2. Push out the live cartridges until the magazine is empty.





## 6.2 Unloading the Pistol (Magazine Not Empty, Slide Forward)

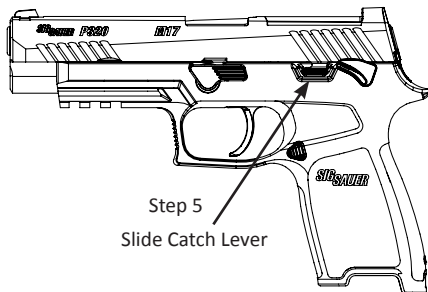
1. Keep the muzzle pointed in a safe direction.
2. Engage manual safety.
3. Press magazine catch and remove partially loaded magazine from pistol.
4. Pull slide to rear, watch for ejection of live cartridge, lock slide to rear with slide catch lever.
5. Visually and physically check the chamber to ensure the pistol is completely free of ammunition.
5. Press the slide catch lever, causing the slide to close. LCI will be in the down position.
6. Unload the magazine (Section 6.1).



# P320-M17

## 6.3 Unloading the Pistol (Magazine Empty, Slide Locked To Rear)

1. Keep the muzzle pointed in a safe direction.
2. Engage Manual Safety.
3. Press magazine catch to release empty magazine.
4. Visually and physically check the chamber to ensure the pistol is completely free of ammunition.
5. Press slide catch lever, causing the slide to close. LCI will be in the down position.



## 7.0 Operation In Adverse Environmental Conditions

Adverse environmental conditions are described as any climatic condition requiring special maintenance of the SIG M17 pistol. This maintenance can and may require the use of special lubricants and procedures.

Clean the pistol in accordance with cleaning instructions in section 8.3 before and after operating in adverse environments. Regardless of environmental conditions DO NOT lubricate the striker assembly.

### 7.1 Extreme Cold Climate (Arctic)

- a. When operating in sub-freezing temperatures lubricate functional parts with LAW (MIL-L-14107). Do not use CLP as it can prevent pistol from firing.
- b. Clean pistol indoors at room temperature when possible.
- c. When bringing pistol indoors from an extremely cold climate, allow it to warm to room temperature before conducting any cleaning and lubrication. Ensure all moisture is removed from pistol prior to cleaning.
- d. To prevent freezing, keep pistol covered when moving from a warm to cold environment to allow gradual cooling.
- e. Do not set a hot pistol down in snow or ice. Keep snow from entering bore of barrel. Clean any snow from bore with a patch and a cleaning rod.
- f. Keep ammunition dry. Moisture will cause stoppages. Do not lubricate ammunition.

### 7.2 Hot, Dry Climate (Desert)

- a. Dust and sand will cause stoppages and excessive wear on component contact surfaces during firing. Keep pistol covered when possible.
- b. Apply light lubrication to internal moving contact surfaces with CLP/LSA only.
- c. Do not lubricate external surfaces as this will cause adhesion of sand and dust.
- d. Periodically unload and clean the magazine and ammunition. Do not lubricate the magazine or ammunition.

## 7.3 Heavy Rain Climate/Fording Operations (Jungle/Tropical)

- a. Always attempt to keep pistol dry.
- b. Always drain any water from barrel prior to firing.
- c. Increase the frequency of inspection and cleaning to prevent rust and corrosion.
- d. Generously apply CLP/LSA to all metal parts and external metal finish.
- e. Periodically remove the slide assembly and inspect internal parts for rust and corrosion.
- f. Increase frequency of magazine inspection, cleaning, and lubrication.

## 7.4 Salt/Corrosive Climate

If the pistol has been fully submerged in salt water, completely flush entire pistol with clean fresh water prior to clean and lube as described.

- a. Increase frequency of maintenance.
- b. Inspect hidden surfaces for corrosion. If found, clean and lubricate.
- c. To help prevent corrosion, remove hand prints with a cloth. Dry pistol and lubricate with CLP/LSA (Items 3 and 4 in App A.)
- d. Check ammunition and magazines frequently for corrosion. Clean magazine using CLP/LSA and wipe dry. If necessary clean ammunition with a dry cloth.
- e. Generously lube internal and external surfaces of pistol with CLP/LSA. DO NOT lubricate the striker.

## 8.0 Maintenance



### WARNING - UNLOAD/CLEAR



VERIFY THE MAGAZINE IS REMOVED. VISUALLY AND PHYSICALLY CONFIRM THE PISTOL IS UNLOADED AND CLEARED BEFORE ATTEMPTING DISASSEMBLY OR PERFORMING ANY MAINTENANCE STEPS. FAILURE TO ENSURE THE FIREARM IS UNLOADED AND CLEARED COULD RESULT IN UNINTENTIONAL DISCHARGE, CAUSING SEVERE INJURY OR DEATH, OR PROPERTY DAMAGE.

### 8.1 Disassembly

1. Unload the pistol as described in Section 6.0 Unloading the Pistol.
2. Retract the slide and lock to the rear by pushing up slide catch lever.



# P320-M17

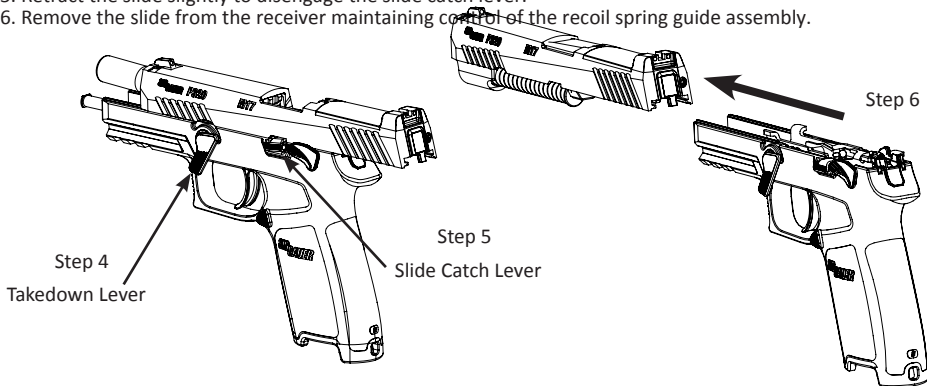


## WARNING - SPRING LOADED PARTS



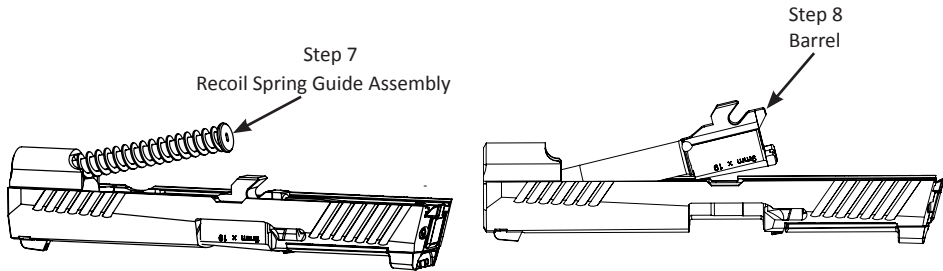
SLIDE IS UNDER SPRING TENSION. MAINTAIN POSITIVE CONTROL OF RECOIL SPRING GUIDE ASSEMBLY DURING SLIDE REMOVAL TO PREVENT DAMAGE OR INJURY. WEAR EYE PROTECTION.

4. Rotate the takedown lever clockwise until the takedown lever can no longer rotate.
5. Retract the slide slightly to disengage the slide catch lever.
6. Remove the slide from the receiver maintaining control of the recoil spring guide assembly.



# P320-M18

7. Push the recoil spring guide forward slightly and lift from rear to remove the recoil spring and guide assembly from the slide.
8. Remove the barrel from the slide by pulling upward slightly and to the rear.



## NOTE

No further disassembly of the recoil spring and guide assembly is authorized.

# P320-M17

## 8.2 Magazine Disassembly

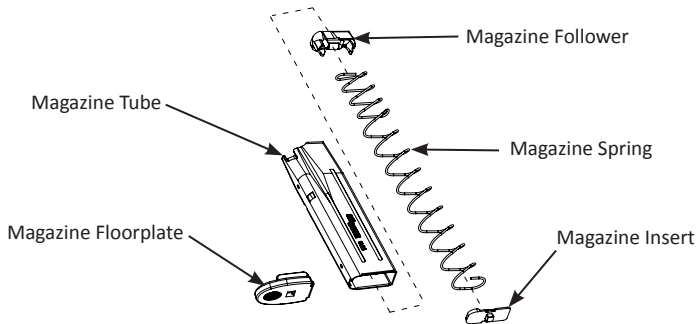


### WARNING - SPRING LOADED PARTS



THE MAGAZINE SPRING IS COMPRESSED. GUARD THE MAGAZINE INSERT AND MAGAZINE SPRING WITH YOUR THUMB TO CONTROL THE RELEASE OF MAGAZINE SPRING TENSION. UNCONTROLLED RELEASE CAN CAUSE INJURY. WEAR EYE PROTECTION.

1. Push the magazine insert slightly forward then down until the magazine floorplate can be pushed forward of the magazine tube.
2. Remove the magazine follower, magazine spring, and insert from the magazine tube.





## 8.3 Cleaning the M17 Pistol

### CAUTION - CLEANING

NEVER CLEAN THE BARREL FROM THE MUZZLE END; DO NOT USE A STEEL WIRE BRUSH AS IT CAN DAMAGE THE SMOOTH SURFACE OF THE BARREL. USE A SUITABLE CLEANING ROD AND A BRONZE BRUSH OF THE CORRECT CALIBER.

SOLVENTS CAN BE HARMFUL TO THE SURFACE FINISH OF THE PISTOL. READ AND FOLLOW THE MANUFACTURER'S WARNINGS BEFORE USING SOLVENTS OR CLEANERS. WEAR EYE PROTECTION. AVOID OVER-LUBRICATION OF COMPONENTS.

#### MATERIALS REQUIRED

- Cleaning patches
- Rag, Wiping
- Bore brush of the proper caliber
- Cleaning rod
- CLP (Cleaning, Lubricant, Protective) or LSA (Lubricant, Small Arms)
- LAW (Lubricant, Arctic Weather) when applicable
- Brush, Cleaning

The following instructions are for normal environmental conditions. Refer to section 7.0 OPERATION IN ADVERSE ENVIRONMENTAL CONDITIONS for cleaning and lubricating in any of the listed climates. Clean and lube before or after every day the pistol is fired or at a minimum of every 500 rounds.

# P320-M17

## 8.3 Cleaning the M17 Pistol - Continued

### Slide Assembly

1. Remove all of the old lubricant before you reapply.
2. Clean the slide assembly with a cloth. A soft brush and CLP can be used to clean excessive dirt and carbon buildup. Ensure the extractor, rail slots and breech face are free of dirt and residue.
3. Apply a light coat of CLP/LSA to the frame rail slots of the slide.
4. Lightly oil all external parts.

### Barrel

1. Soak a patch with CLP and push it through the bore from the chamber end and out past the muzzle.
2. Allow the CLP to soak for a while to loosen residue and soften carbon deposits.
3. Wipe the exterior of the barrel with a cloth soaked in CLP.
4. Repeat step #1.
5. Use the bore brush and a cleaning rod to scrub heavy deposits from the bore.
6. Repeat step #1.
7. Push dry patches through the bore until they come out clean.
8. Lightly oil bore and chamber if the pistol is to be stored for a period of time.
9. Always remove any lubricant from the bore prior to firing the pistol.

### Recoil Spring And Guide Assembly

The SIG M17 /M18 recoil spring guide assembly is not to be disassembled. It is serviced as a single unit.

1. Clean the recoil spring guide assembly with CLP and a soft brush.
2. After cleaning, apply a light coat of CLP/LSA.

## **Frame/Grip Module Assembly**

1. Wipe the frame and grip module assembly with a soft cloth.
2. Use cotton swabs to clean hard to reach areas. Pay special attention to the frame rails, takedown lever and slide catch lever.
3. Lubricate the frame rails with a light coat of CLP/LSA.
4. Apply CLP/LSA to accessible functioning parts.
5. Clean the magazine well of any dirt, dust or residue with a soft cloth.

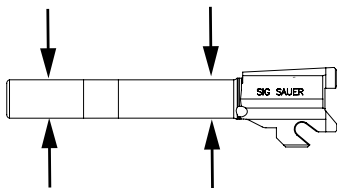
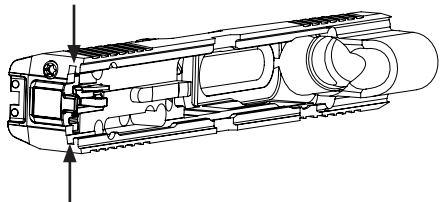
## **Magazine**

1. Wipe the magazine tube and follower with a cloth. Clean the magazine tube and follower with a soft brush and CLP.
2. Use a cloth to clean the magazine spring, floorplate, and base plate.
3. Apply a light coat of CLP/LSA to the spring and magazine tube.

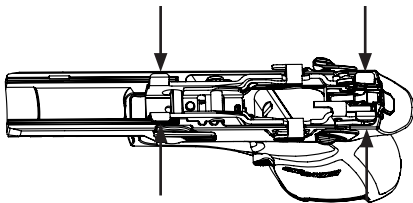
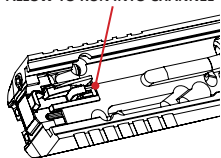
# P320-M17

## 8.4 Lubrication Guide

- CLP, LSA, and LAW are the only lubricants authorized for this pistol.
- CLP and LSA can be used interchangeably.
- Always remove excess lubricant from the bore prior to firing. Failure to do so could result in damage to the barrel. Use a patch and a cleaning rod to remove excess lubricant.
- Light coat is defined as a film of lubricant that is barely visible to the naked eye.
- Generously lubed is defined as heavy enough to spread with the finger.
- Apply lubricant where indicated by arrows.



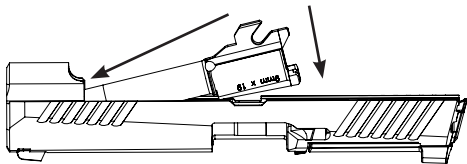
**DO NOT APPLY LUBE TO STRIKER OR  
ALLOW TO RUN INTO CHANNEL**



# P320-M18

## 8.5 Pistol Assembly

1. Verify the pistol is clear of all foreign matter.
2. Insert the barrel into the slide.

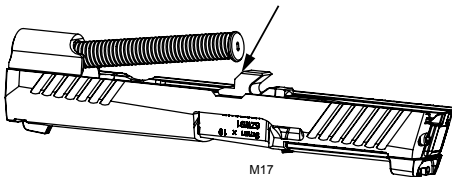


**WARNING - SPRING LOADED PARTS**

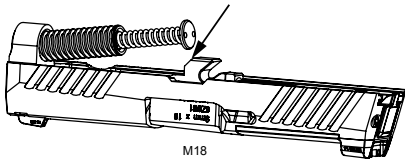


**THE RECOIL SPRING GUIDE ASSEMBLY IS UNDER SPRING TENSION. USE CAUTION TO PREVENT INJURY OR DAMAGE TO THE PISTOL WHEN INSTALLING. WEAR EYE PROTECTION.**

3. Insert recoil spring guide assembly into the slide and up against the barrel lug.



M17

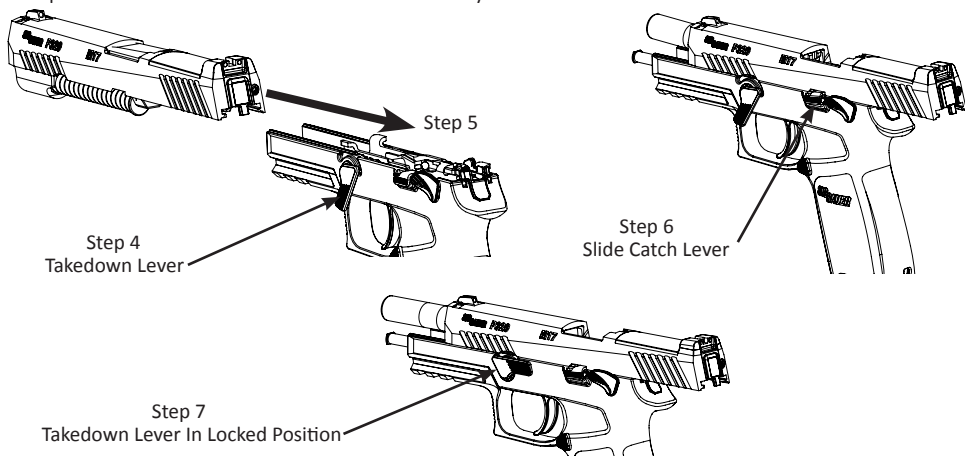


M18

# P320-M17

## 8.5 Pistol Assembly - Continued

4. Ensure the takedown lever is rotated completely clockwise to the stop.
5. Guide the slide onto the receiver rails from the front.
6. Retract the slide completely to the rear. Engage the slide catch lever to lock the slide in the open position.
7. Rotate the takedown lever counterclockwise until locked in the horizontal position.
8. Depress the slide catch lever to release the slide fully forward.



## 8.6 Magazine Assembly

1. Install the magazine follower onto the magazine spring.

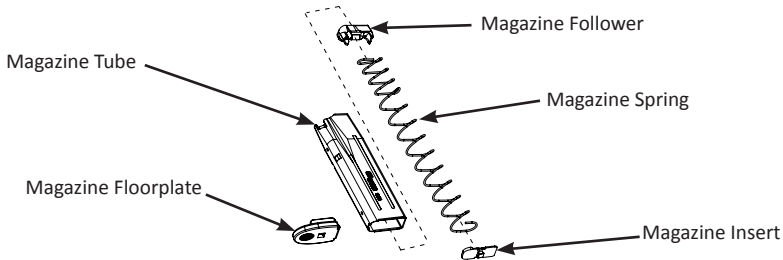


### WARNING - SPRING LOADED PARTS



**THE MAGAZINE SPRING IS BEING COMPRESSED DURING ASSEMBLY. GUARD THE MAGAZINE INSERT AND MAGAZINE SPRING WITH YOUR THUMB TO CONTROL MAGAZINE SPRING TENSION. UNCONTROLLED RELEASE CAN CAUSE INJURY. WEAR EYE PROTECTION.**

2. Insert the follower and magazine spring fully into the magazine tube until the magazine insert is flush with the magazine tube bottom.
3. Holding the magazine insert in place, slide the magazine floorplate onto the magazine tube lips until the magazine floorplate is locked in place by the magazine insert.



## 8.7 Function Verification



### **WARNING - SAFETY/FUNCTION CHECK**

**THE SAFETY/FUNCTION CHECK MUST PERFORMED ON THE ASSEMBLED PISTOL TO VERIFY PROPER FUNCTION. IT SHOULD BE PERFORMED AFTER THE COMPLETION OF REPAIRS AND AFTER EACH CLEANING AND ASSEMBLY OF THE PISTOL PRIOR TO PLACING THE PISTOL BACK INTO SERVICE. YOU MUST ALSO CONDUCT A SAFETY/FUNCTION CHECK SHOULD THE PISTOL SUFFER A FALL, IMPACT TO OR FROM ANOTHER OBJECT, OR ANY OTHER INCIDENT WHICH MIGHT SUGGEST THE POSSIBILITY OF THE FIREARM BEING DAMAGED.**

**SHOULD THE P320-M17 FAIL ANY OF THE PROCEDURES ASSOCIATED WITH THE SAFETY/FUNCTION CHECK, CONTACT SIG SAUER CUSTOMER SERVICE (603) 610-3000 EXT.1**

1. Insert an empty magazine into pistol and ensure magazine catch locks it into place.
2. Fully retract slide and release it. The magazine follower should have pushed the slide catch lever up and locked the slide to the rear.
3. Press magazine catch. Magazine should fall free of pistol under its own weight.
4. Press slide catch lever. The slide should release and lock fully forward.
5. Engage manual safety by pressing upward on either of the ambidextrous levers.
6. Press the trigger to the rear. The striker should not be released.
7. Disengage manual safety by pressing the lever downward.
8. Press and hold trigger rearward. The striker should have released and you should hear an audible click.
9. While still holding trigger rearward, fully retract and release the slide.
10. Release trigger. You should hear a click as it resets.
11. Press trigger. The striker should release and you should hear an audible click.



## 8.8 Magazine Catch Reversal



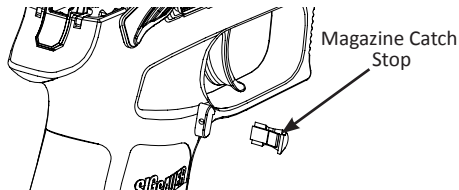
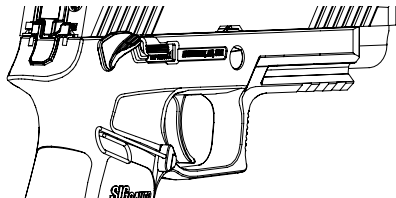
### WARNING - UNLOAD/CLEAR



**YOU MUST UNLOAD AND CLEAR THE FIREARM PRIOR TO PERFORMING THIS PROCEDURE. VERIFY THE MAGAZINE IS REMOVED. VISUALLY AND PHYSICALLY CONFIRM THE PISTOL IS UNLOADED AND CLEARED BEFORE ATTEMPTING THIS PROCEDURE. FAILURE TO ENSURE THE FIREARM IS UNLOADED AND CLEARED COULD RESULT IN UNINTENTIONAL DISCHARGE, CAUSING SEVERE INJURY OR DEATH TO YOURSELF OR OTHERS, OR DAMAGE TO PROPERTY.**

THIS PROCEDURE CAN BE PERFORMED WITH OR WITHOUT THE SLIDE REMOVED FROM THE PISTOL.

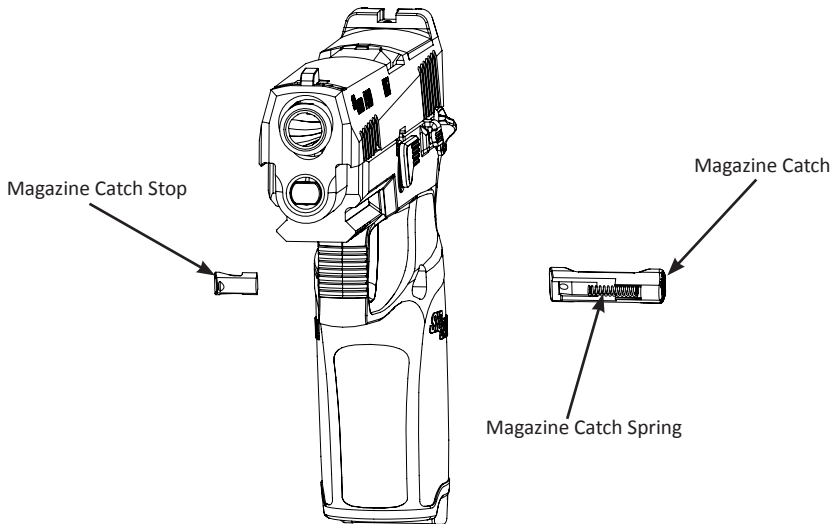
1. Press the magazine catch until the opposite side of the catch protrudes from the grip module.
2. Press the end of a small round pin such as a paper clip, into the hole of the magazine catch.
3. Work the magazine catch stop out of the magazine catch with the pin using a back and forth motion.



# P320-M17

## 8.8 Magazine Catch Reversal - Continued

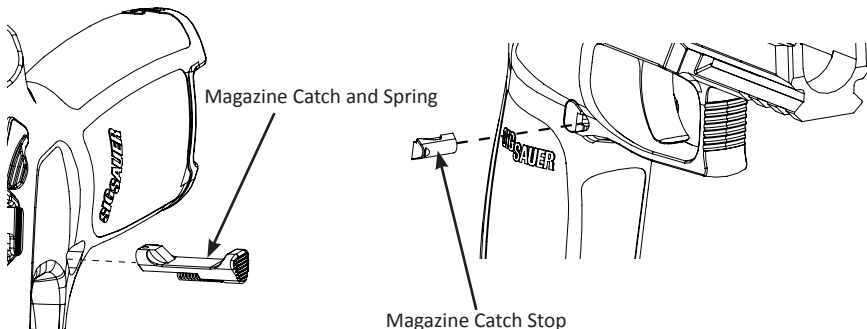
5. Remove the magazine catch stop, magazine catch and the magazine catch spring from the grip module.



# P320-M18

Holding the pistol with the muzzle facing downward will aid in keeping the magazine catch and spring in place for ease of installation.

6. Insert the magazine catch and the spring into the desired side of the grip module and completely press the magazine catch.
7. Insert the magazine catch stop into the magazine catch until it snaps into place. Release the magazine catch.
8. Check function with an empty magazine.

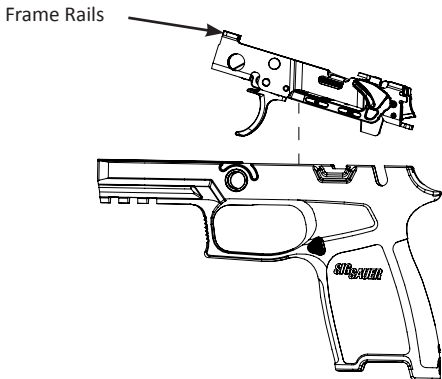


# P320-M17

## 8.9 Changing the Grip Module

### 8.9.1 Removing the Grip Module

1. Remove the slide but not the recoil spring and recoil spring guide (Section 8.1 Pistol Disassembly).
2. Remove the takedown lever by rotating and pull simultaneously.
3. Push the frame assembly forward. Slight rearward pressure of the trigger may be required.
4. Pull up on the frame rails and remove to rotate the frame assembly out from the grip module.

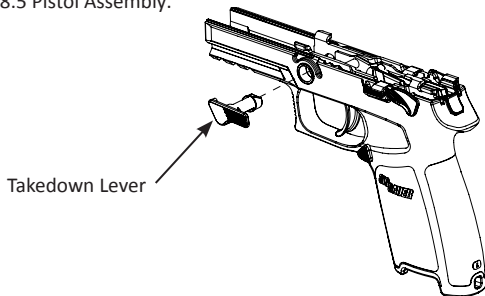
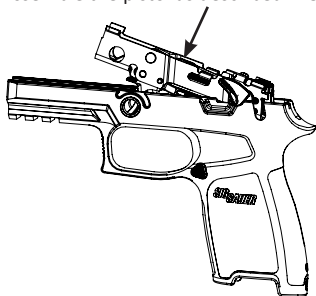


## CAUTION

**DO NOT ATTEMPT TO DISASSEMBLE THE FRAME ASSEMBLY. FAILURE TO COMPLY MAY RESULT IN DAMAGE OR LOST PARTS. FURTHER DISASSEMBLY IS ONLY AUTHORIZED BY A CERTIFIED GUNSMITH OR SIG SAUER ARMORER. FAILURE TO COMPLY WILL VOID THE WARRANTY OF THIS FIREARM.**

### 8.9.2 Installing the Grip Module

1. Insert the frame assembly locking tab into the mating slot inside the rear of the grip module.
2. Press down on the frame rails, rotating the frame assembly into position.
3. Insert the takedown lever by rotating it and pushing simultaneously through the corresponding hole on the left side of the grip module/frame assembly, locking the frame assembly in place.
4. Assemble the pistol as described in Section 8.5 Pistol Assembly.



# P320-M17

## 9.0 Troubleshooting

### 9.1 Failure To Feed

Possible Cause	Correction
Step 1. Check for improperly positioned top cartridge in magazine.	Reload ammunition in magazine.
Step 2. Check for dirty or corroded magazine.	Clean and lubricate per Section 9.3.
Step 3. Check for incorrect assembly of magazine.	Correctly reassemble magazine.
Step 4. Check for broken, damaged or bent parts of magazine.	Replace magazine.
Step 5. Check for dirty, corroded, or damaged ammunition.	Clean or replace ammunition.
Step 6. Inspect pistol for damaged or broken parts.	Contact customer service.

## 9.2 Failure To Chamber

Possible Cause	Correction
Step 1. Check for dirty, corroded, or damaged ammunition.	Clean or replace ammunition.
Step 2. Check for dirty or obstructed chamber.	Clean chamber and bore of barrel.
Step 3. Inspect recoil spring guide assembly for broken recoil spring.	Contact customer service.

## 9.3 Slide Does Not Lock Fully Forward

Possible Cause	Correction
Step 1. Inspect recoil spring guide assembly for broken recoil spring.	Contact customer service.
Step 2. Inspect slide rails for damage or burrs.	Contact customer service.
Step 3. Inspect frame rails for damage or burrs.	Contact customer service.

# P320-M17

## 9.4 Failure To Fire

Possible Cause	Correction
Step 1. Check position of manual safety lever.	Disengage and attempt to fire.
Step 2. Check for faulty ammunition.	Replace ammunition.
Step 3. Check for light or no striker indent on primer.	Contact customer service.

## 9.5 Failure Of Slide To Unlock

Possible Cause	Correction
Step 1. Inspect barrel for damage or broken locking lug.	Contact customer service.
Step 2. Check for faulty ammunition determined by short recoil.	Inspect bore for obstruction and replace ammunition.
Step 3. Check for damaged or broken slide.	Contact customer service.



## 9.6 Failure To Extract

Possible Cause	Correction
Step 1. Check for rough or dirty chamber.	Clean chamber and bore.
Step 2. Check for dirty, corroded, or damaged ammunition.	Clean or replace ammunition.
Step 3. Check for broken or weak extractor spring by pulling up on extractor.	Contact customer service.
Step 4. Check for broken extractor hook.	Contact customer service.

## 9.7 Failure To Eject

Possible Cause	Correction
Step 1. Check for broken ejector on frame.	Contact customer service.

## 10.0 Sights



### WARNING - TRITIUM SIGHTS



**YOUR SIG SAUER PISTOL MAY COME EQUIPPED WITH SIGHTS THAT CONTAIN RADIOACTIVE MATERIAL FOR ILLUMINATION DURING LOW LIGHT CONDITIONS OR HOURS OF DARKNESS. THE SIGHTS ARE MARKED WITH THE LETTERS "SIG" AND "H3". THE RADIATION SOURCE IS HYDROGEN-3 (H3), COMMONLY KNOWN AS TRITIUM. THE ACTIVITY LEVEL OF TRITIUM IN SIG SAUER NIGHT SIGHTS RANGE FROM 12 MCI (MILLCURIES) TO 30 MCI. THE OPERATIONAL TEMPERATURE RANGE OF SIG SAUER TRITIUM SIGHTS IS -30C/-22F TO +60C/140F. THE BETA RADIATION EMITTED BY TRITIUM IS ONLY A HAZARD IF THE TRITIUM VIAL IS BROKEN AND IS INGESTED OR INHALED BY HUMANS. THE BODY DOES NOT EASILY RETAIN HYDROGEN OR TRITIUM AS A GAS. HOWEVER, THE OXIDE HTO, WHICH IS FORMED BY THE BURNING OF TRITIUM IS 10,000 TIMES MORE HAZARDOUS. FOR THIS REASON GREAT CARE SHOULD BE TAKEN TO AVOID FLAME IN THE PRESENCE OF DAMAGED TRITIUM SIGHTS. DISPOSAL OF TRITIUM SIGHTS MUST BE PERFORMED IN A CONTROLLED MANNER. IF YOU SUSPECT THAT THE SIGHT CONTAINING A TRITIUM VIAL HAS BROKEN, DO NOT ATTEMPT TO DISASSEMBLE THE SIGHT. FOLLOW THESE INSTRUCTIONS.**

Damaged Sights Only (sights removed from firearm):

Place damaged sights in a small zip lock bag and label it "Damaged Tritium Sight DO NOT OPEN ". Place the zip lock bag in a shipping envelope marked "NIGHT SIGHT FOR DISPOSAL" and send to :

SIG SAUER Inc.  
357 SIG SAUER Drive  
Jacksonville, AR 72076

Slide with Damaged Sights:

Call customer service at (603) 610-3000 Ext.1 for instructions and return authorization



## WARNING - UNLOAD/CLEAR



SIGHT CORRECTIONS SHOULD ONLY BE PERFORMED ON AN UNLOADED FIREARM. ADJUSTING THE SIGHTS ON A LOADED FIREARM COULD RESULT IN UNINTENTIONAL DISCHARGE, CAUSING INJURY OR DEATH. VISUALLY AND PHYSICALLY CONFIRM THE PISTOL IS UNLOADED BEFORE MAKING SIGHT ADJUSTMENTS.

### 10.2 Windage (Left/Right) Adjustment

Change windage by moving the front sight either to the left or right in its dovetail. When you do this, follow the front sight rule: Move the front sight in the opposite direction you want the impact of the shot to go.

### 10.3 Elevation (Up/Down) Adjustment

There are several front sight height combinations available. The sights are numbered according to their height. You can change elevation by changing the front sight. Each front sight change will move the impact of the bullet approximately 1" at 25 yards.

When changing sights, remember this rule:

NUMBERS UP, POINT OF IMPACT UP

NUMBERS DOWN, POINT OF IMPACT DOWN

## 11.0 Service and Parts Policy

### 11.1 Parts Policy



## **WARNING - PURCHASING PARTS**

**IMPROPER FITTING OF PARTS MAY RESULT IN A DANGEROUS MALFUNCTION, DAMAGE TO THE FIREARM, AND SERIOUS INJURY TO THE SHOOTER AND OTHER PERSONS.**

It is the purchaser's responsibility to be absolutely certain that any parts ordered from the factory are correctly fitted and installed. Firearms are complicated mechanisms. The purchaser and installer of parts must accept full responsibility for the correct adjustment and functioning of the firearm after such installation. **PARTS MUST FIT CORRECTLY**

Our Service Department maintains a full complement of parts. Even though most gunsmiths have the knowledge, training, and the ability to make necessary repairs to your firearm, the skill and workmanship of any particular gunsmith is totally beyond our control.

Should your firearm ever require service, we strongly recommend that you return it to SIG SAUER (see section 12.3 "Shipping Firearms for Repair"). A firearm is a precision instrument and some replacement parts will require individual fitting to ensure correct operation. A wrong part, improper fitting, or incorrect mechanical adjustment may result in an unsafe condition or dangerous malfunction, damage to the firearm, or cause possible serious injury to the shooter or others.

IF ANY PART IS ORDERED WITHOUT RETURNING THE FIREARM TO SIG SAUER, the customer bears full responsibility for ensuring that the part supplied is correct for their particular firearm and is properly installed and fitted by a qualified gunsmith.

**SIG SAUER CANNOT BE RESPONSIBLE FOR THE FUNCTIONING OF ANY FIREARM IN WHICH REPLACEMENT PARTS ARE INSTALLED BY OTHERS.**

In the event you want to order parts for your firearm, contact Customer Service at (603) 610-3000 ext. 1. Have available the serial number of your firearm and the part diagram number for the part(s) you wish to order. A parts list and diagram of the pistol is provided in section 12.0. This parts diagram illustrates operator level parts service. Any additional parts are serviced at the Armorer/Gunsmith level.

## 11.2 Service Policy

If you have questions concerning the performance or servicing of your firearm, please write or call:

SIG SAUER, Inc.  
Attention: Customer Service  
18 Industrial Drive, Exeter, NH 03833  
Phone: (603) 610-3000 ext. 1  
Fax: (603) 766-7002

IF YOU DO NOT UNDERSTAND THE INSTRUCTIONS FOR OPERATING YOUR PISTOL, IT IS YOUR RESPONSIBILITY TO CALL OUR CUSTOMER SERVICE DEPARTMENT AT (603) 610-3000 EXT. 1 BEFORE USING YOUR FIREARM.

## 11.3 Shipping Firearms For Repair

In the event you need to return your firearm to the SIG SAUER Service Department, here's what to do:

1. First contact Customer Service at (603) 610-3000 ext. 1 for an RMA number, which will allow SIG SAUER to track the status of your return from its receipt at SIG SAUER through its return to you. Please do not send your firearm until you obtain an RMA number.
2. Make sure that the chamber and magazine(s) are unloaded and that no ammunition is included with your returned firearm.
3. Package the firearm securely to prevent damage. Enclose a letter that includes your name, street address, daytime phone number, model and serial number, and a detailed description of the problem you have experienced or the work you want performed.

With the exception of extra magazines, do not include any other accessories such as scopes or mounts.

4. Generally, an individual may ship firearms to the manufacturer for repair or service. Some states and localities, however, prohibit this. If you live in such an area, the firearms must be shipped by and returned to a federally licensed firearms dealer.
5. Federal law prohibits persons who do not possess a Federal Firearms License from shipping a firearm via the U.S. Postal Service. (Note: any shipment of firearms outside U.S. borders is subject to the export laws of the United States and to the valid laws of the specific country, which you must strictly follow; prior to exporting any firearm you should seek legal counsel.)

6. SIG SAUER is not responsible for any firearm until it is received, nor for damage incurred during shipment.
7. Ship your firearms insured and prepaid (we do not accept collect shipments) to:

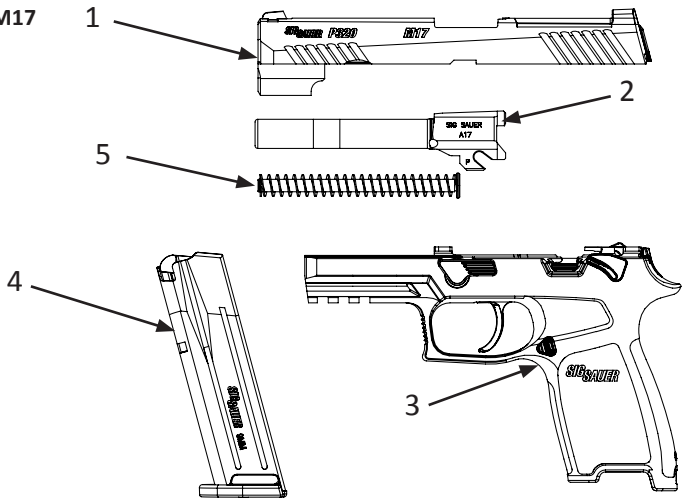
**SIG SAUER, Inc.**  
**Attention: Service Department**  
**18 Industrial Drive Exeter, NH 03833**

Don't forget to write your RMA number on the package.

A copy of this instruction manual should always accompany this pistol  
and be transferred with it upon change of ownership.

# P320-M17

## 12.0 Parts Diagram P320-M17



1. Slide Assembly, Full Size

2. Barrel, 9x19 mm, Full Size

3. Frame/Grip Module Assembly

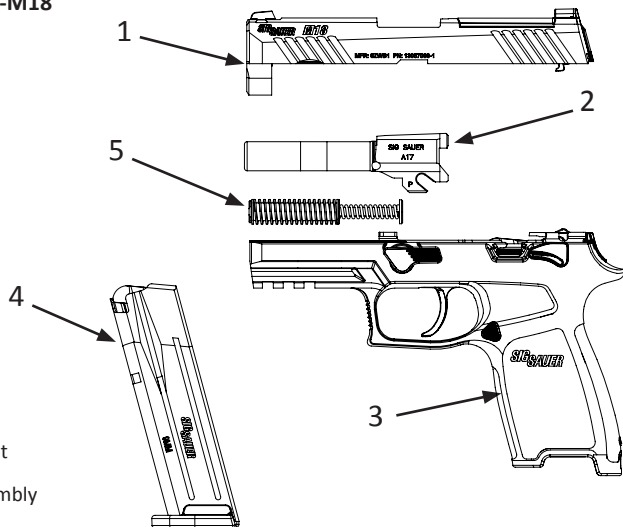
4. Magazine Assembly, 9 x 19 mm, 21 round

5. Recoil Spring Guide Assembly, 9 x 19 mm, Full Size



# P320-M18

## 12.1 Parts Diagram P320-M18



1. Slide Assembly, Compact
2. Barrel, 9x19 mm, Compact
3. Frame/Grip Module Assembly
4. Magazine Assembly, 9 x 19 mm, 17 round
5. Recoil Spring Guide Assembly, 9 x 19 mm, Compact

# P320-M17

## 12.2 Technical Specifications

	M17	M18
Caliber	9x19mm	
Length, Overall	8.05 inches / 204.75 mm	7.25 inches / 184.15 mm
Height (w/ standard magazine)	5.55 inches / 141.90 mm	
Width	1.55 inches / 39.60 mm	
Barrel Length	4.7 inches / 119.38 mm	3.90 inches / 99.06 mm
Rifling Twist	1:10 / 254 mm	
Rifling Grooves	6 Right Hand	
Sight Radius	6.49 inches / 165 mm	
Weight (without magazine)	26.9 oz / 0.76 kg	24.54 oz / 0.70 kg
Weight, with empty 21 round magazine (Optional)	30.8 oz / 0.873kg	28.57 oz / 0.81 kg
Weight with empty 17 round magazine	29.98 oz / 0.85 kg	27.86 oz / 0.79 kg
Magazine Weight, empty 17 round	2.97 oz / 0.084 kg	
Magazine Weight, empty 21 round (Optional)	3.83 oz / 0.108 kg	
Trigger Pull	6.0-7.0 pounds / 26.6 N to 31.1 N	

- Striker fired system.
- Left or right hand operation (magazine catch repositions to either side, slide catch lever functions from both sides).
- Glass reinforced grip module with integral MIL-STD 1913 rail.
- Grip modules feature stippled gripping surface for positive control.
- Solid slide of high-strength stainless steel with front and rear cocking serrations.
- High contrast or SIGLITE™ Night Sights in different heights.

\*Specifications are approximate and subject to change without notice.

## Appendix A: Expendable Supply List

### Explanation of Columns

**Column (1) Item No.** This number is assigned to the entry in the list and is referenced in narrative instructions to identify the item.

**Column (2) Level.** Identifies the lowest class of maintenance that requires the item.

**Column (3) National Stock Number (NSN).** This is the NSN assigned to the item.

**Column (4) Item, Name, Description, Part Number/(CAGEC).** Provides the other information you need to identify the item.

**Column (5) U/I.** Unit of Issue shows the physical measurement or count of an item.

# P320-M17

## Appendix A: Expendable Supply List

(1) ITEM NUMBER	(2) LEVEL	(3) NATIONAL STOCK NUMBER	(4) DESCRIPTION	(5) UNIT OF ISSUE
1	C	1005-00-716-2132	BRUSH, CLEANING SMALL (BORE BRUSH) (19205) 7162132	EA
2	C	1005-00-494-6602	BRUSH, CLEANING, SMALL ARMS (TOOTHBRUSH) (19204) 8448462	EA
3	C	9150-01-102-1473	CLEANER, LUBRICANT PRESERVATIVE (CLP) (81349) MIL-L-63460 ½ oz bottle	EA
4	C	9150-00-292-9689	LUBRICATING OIL, ARCTIC, WEAPONS (LAW) (81349) MIL-L-14107 1 qt can	QT
5	C	9150-00-889-3522	(LUBRICATING OIL, WEAPONS SEMI-FLUID (LSA) (19204) 8436793 4 oz bottle	OZ
6	C	7920-00-205-1711	RAG, WIPING (58536) A-A-531 50 lb box	LB
7	C	1005-00-556-4102	ROD, CLEANING, M4 (19204) 5564102	EA
8	C	1005-00-288-3565	SWAB, SMALL ARMS PK (19204) 5019316	EA

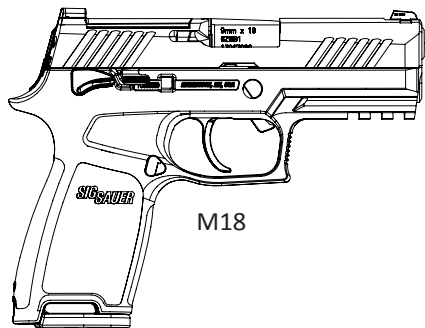
## **SIG SAUER® Limited Lifetime Firearms Warranty**

SIG SAUER warrants that the enclosed firearm was originally manufactured free of defects in material, workmanship and mechanical function. For the lifetime of the original purchaser, SIG SAUER agrees to correct any defect in the firearm for the original purchaser by repair, adjustment or replacement, at SIG SAUER's option, with the same or comparable quality components (or by replacing the firearms at SIG SAUER's option; provided, however, that the firearm is returned unloaded and freight prepaid to:

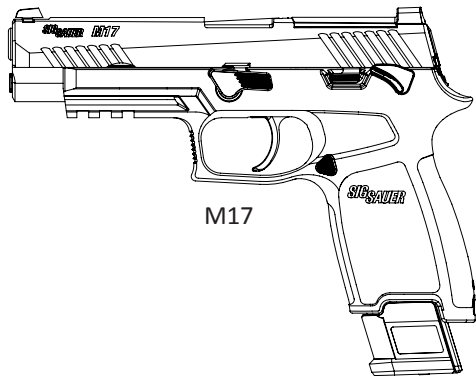
SIG SAUER  
18 Industrial Drive  
Exeter, NH 03833

This limited warranty is null and void if the firearm has been misused, damaged (by accident or otherwise), fired with handloaded, reloaded or improper ammunition, fired with an obstruction in the barrel, damaged through failure to provide reasonable and necessary maintenance as described in the manual accompanying the firearm, or if unauthorized repair or any alteration, including of a cosmetic nature, has been performed on the firearm. This limited warranty does not apply to normal wear and tear of any parts. Subject to the foregoing, this limited warranty confers the right to have the covered firearm or its parts repaired, adjusted or replaced exclusively upon the original purchaser, which right is not transferable to any other person. No implied warranties of any kind are made herein and this warranty does not apply to any accessory items attached or appurtenant to the firearm. In no event shall SIG SAUER be liable for any incidental or consequential damages arising from or in connection with this limited warranty.

# P320-M17



M18



M17

# P320-M18

## THE CHOSEN ONE

BASED ON THE P320®, THE M17 AND M18 PISTOLS ARE THE U.S. ARMY'S CHOICE FOR TODAY AND TOMORROW.

After one of the most rigorous and highly competitive reviews in the history of military firearms, SIG SAUER Inc. was awarded the Modular Handgun System contract with a P320-based platform, the new U.S. Army M17. This award makes it the U.S. Army's first replacement sidearm in over 30 years. The Army selected the P320 based platform because of its uniquely innovative modularity, uncompromising performance and unmatched capability.

The U.S. Army's selection of the M17 and M18 officially cements the P320's place in historical record of the world's truly influential weapons as it enters service with America's current and future armed forces across the globe in the defense of freedom.



**FOR PRODUCT SERVICE ON THIS MODEL,  
PLEASE CALL (603) 610-3000 EXT.1**

**SIG SAUER, Inc.  
72 Pease Boulevard, Newington, NH 03801 USA**

All trademarks, service marks, trade names, trade dress, product names and logos appearing in this manual are the property of their respective owners. No trademark or service mark appearing in this manual may be used without written consent of the mark's owner.