

2013 Ford Pickup F150

SPECIAL CAUTIONS

Refer to Procedure Explanation 29 for Supplemental Restraint/Air Bag Special Cautions.

SRS

Refer to Procedure Explanation 29 for Supplemental Restraint/Air Bag Special Cautions.

SEAT BELTS

Ford recommends that all seat belt assemblies in use during a collision be replaced unless the collision was minor & a qualified technician finds that the belts show no damage & continue to operate properly. Seat belt assemblies not in use should also be inspected & replaced if damage or improper operation is noted.

CAB & CHASSIS

Cab & Chassis vehicles are supplied incomplete to aftermarket specialty manufacturers, which may have special options not available on regular production (complete) vehicles. Extra care should be exercised when estimating these vehicles. It may be necessary to consult the OEM dealer or particular specialty manufacturer for specific information.

Manufacturer advises that some new fasteners must be used whenever old fasteners are loosened or removed.

SUSPENSION

Manufacturer advises that some new fasteners must be used whenever old fasteners are loosened or removed.

WELDING

Manufacturer Advises that Laser Welding is Used on Some Welded Panels in the Manufacturing Process of this Vehicle. Please see Manufacturer's Body Service Manual for Specific Repair Instructions.

ADHESIVE BONDING

Exterior body panels at door and roof rail locations are mated with a two part epoxy adhesive to increase vehicle rigidity. A similar adhesive must be used in conjunction with spot welding procedures to maintain vehicle integrity.

PAINT CODE

LOCATION

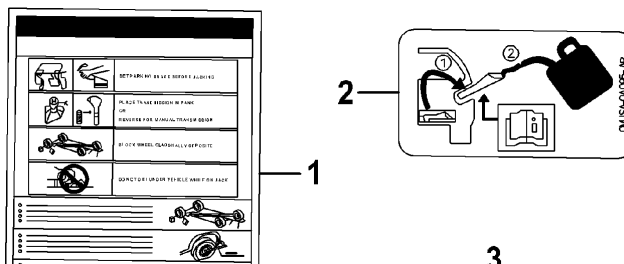
Paint code located on inside of drivers door.

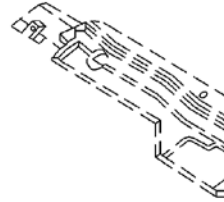
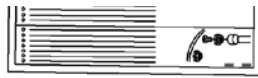
CLEAR COAT

IDENTIFICATION

All colors are clear coat. Candy Red (Code U6, Code RZ), Ruby Red (Code RR), White Chocolate Metallic (Code PV) & White Platinum Pearl (Code UG) are three stage.

INFORMATION LABELS





002-17633

Labels must be special ordered from dealer by vehicle name, serial number and application.

1 Label, Jack Caution

2009

English

9L3Z 17A083 E

\$4.10

English/French

9L3Z 17A083 B

\$4.10

2010

To 2-1-10

English

9L3Z 17A083 E

\$4.10

English/French

9L3Z 17A083 B

\$4.10

From 2-1-10

9L3Z 17A083 B

\$4.10

2011-14

9L3Z 17A083 B

\$4.10

2 Label, Fuel Warning

AU5Z 9A095 D

\$6.26

3 Label, Rad Caution

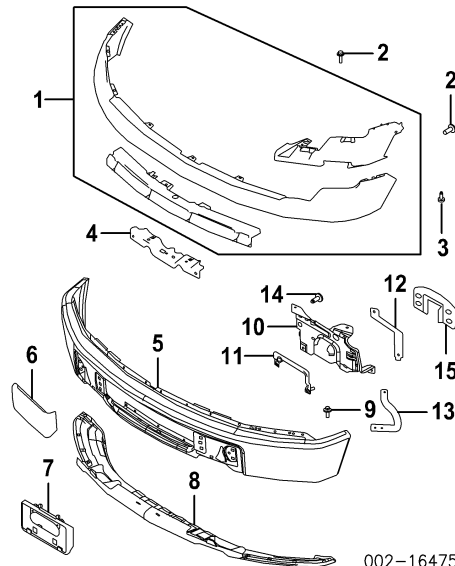
5L3Z 1503050 A

\$7.08

FRONT BUMPER

Use Procedure Explanations 1 and 28
with the following text.

XL, STX, XLT, FX4 MODEL



002-16475

Refinish Bumper Complete
Refinish Face Bar

4.5
2.3

Refinish Upper Cover				2.0
Refinish Valance Panel				1.0
R&I Upper Cover				#1.1
#Includes R&I/R&R Combination Lamp Assemblies				
R&I Bumper Assy				#2.2
O/H Bumper Assy (Includes R&I)				#3.3
#Includes R&I/R&R Combination Lamp Assemblies & Upper Cover				
Add to R&I/R&R Upper Cover				
w/Wheel Opening Mldgs				.4
Add to R&R Face Bar or O/H Bumper Assy				
w/Fog Lamps				.3
w/Wheel Opening Mldgs				.4
R&R Bumper Pad	R			.2
	L			.2

NOTE: All Parts in this section are included in overhaul unless noted otherwise.

1 Cover, Upper

2009-12

XL Model		DL3Z 17D957 C	\$273.85	#1.1
STX, XLT, FX4 Model (P)				
w/Wheel Opening Mldgs		DL3Z 17D957 BPTM	\$336.71	#1.1
w/o Wheel Opening Mldgs		DL3Z 17D957 APTM	\$328.38	#1.1

2013

To 2-18-13

XL Model		DL3Z 17D957 C	\$273.85	#1.1
STX, XLT, FX4 Model (P)				
w/Wheel Opening Mldgs		DL3Z 17D957 BPTM	\$336.71	#1.1
w/o Wheel Opening Mldgs		DL3Z 17D957 APTM	\$328.38	#1.1

From 2-18-13

XL Model		DL3Z 17D957 C	\$273.85	#1.1
STX, XLT, FX4 Model (P)				
w/Wheel Opening Mldgs		DL3Z 17D957 BPTM	\$336.71	#1.1
w/o Wheel Opening Mldgs		DL3Z 17D957 APTM	\$328.38	#1.1

2014

XL Model		DL3Z 17D957 C	\$273.85	#1.1
STX, XLT, FX4 Model (P)				
w/Wheel Opening Mldgs		DL3Z 17D957 BPTM	\$336.71	#1.1
w/o Wheel Opening Mldgs		DL3Z 17D957 APTM	\$328.38	#1.1

(P) Paint to Match

#Includes R&I/R&R Combination Lamp Assemblies

Bolt, Upper Cover (a)

2	Type 1	R	* W505424 S439	\$1.07
		L	* W505424 S439	\$1.07
3	Type 2	09-12 R	* W702434 S439	\$2.15
		L	* W702434 S439	\$2.15
		13-14 R	* W505425 S439	\$4.29
		L	* W505425 S439	\$4.29

(a) As Required

4	Support, Face Bar		9L3Z 17C947 A	\$23.37
5	Bar, Face			
	Chrome			
	w/Fog Lamps		9L3Z 17757 B	\$524.04 #3.3

w/o Fog Lamps		9L3Z 17757 A	\$514.14	#3.3
Paint to Match				
w/Fog Lamps		9L3Z 17757 DPTM	\$437.80	#3.3
w/o Fog Lamps		9L3Z 17757 CPTM	\$492.53	#3.3
#Includes R&I/R&R Combination Lamp Assemblies & Upper Cover				
6 Pad Set, Bumper (a)				
2009-10		9L3Z 17E810 B	\$50.40	#
2011-14				
3.5L Turbo Eng				
w/License Plate Mount		BL3Z 17E811 AA	\$64.98	#
w/o License Plate Mount		9L3Z 17E810 B	\$50.40	#
3.7L, 5.0L, 6.2L Eng		9L3Z 17E810 B	\$50.40	#
(a) Includes Both Sides				
#See Headnotes for Labor Time				
7 Brkt, License Plate				
3.7L, 5.0L, 6.2L Eng		9L3Z 17A385 A	\$18.13	.2
8 Panel, Valance				
w/Sport Pkg (P)		AL3Z 17626 APTM	\$297.40	.4
w/o Sport Pkg				
2WD		9L3Z 17626 A	\$143.13	.4
4WD		9L3Z 17626 B	\$146.78	.4
(P) Paint to Match				
9 Bolt, Valance Panel (a)		* W706599 S439	\$1.87	
(a) As Required				
10 Plate, Bumper Mtg	R	9L3Z 17B984 A	\$60.13	
	L	9L3Z 17B985 A	\$60.13	
Bracket, Bumper Mtg				
11 Front	R	9L3Z 17C886 A	\$31.55	
	L	9L3Z 17C887 A	\$31.55	
12 Inner	R	9L3Z 17754 B	\$9.82	
	L	9L3Z 17755 B	\$9.00	
13 Outer	R	9L3Z 17754 A	\$9.67	
	L	9L3Z 17755 A	\$8.05	
14 Bolt, Bumper Mtg (a)	R	* N606689 S439	\$4.02	
	L	* N606689 S439	\$4.02	
(a) As Required				
15 Bracket Kit, Bumper-See Frame Section				
XTR, FX2, TREMOR MODEL				
Refinish Bumper Complete				4.5
Refinish Face Bar				2.3
Refinish Upper Cover				2.0
Refinish Valance Panel				1.0
R&I Upper Cover				#1.1
#Includes R&I/R&R Combination Lamp Assemblies				
R&I Bumper Assy				#2.2
O/H Bumper Assy (Includes R&I)				#3.3
#Includes R&I/R&R Combination Lamp Assemblies & Upper Cover				
Add to R&I/R&R Upper Cover				
w/Wheel Opening Mldgs				.4
Add to R&R Face Bar or O/H Bumper Assy				
w/Fog Lamps				.3

		L	9L3Z 17B985 A	\$60.13	
	Bracket, Bumper Mtg				
11	Front	R	9L3Z 17C886 A	\$31.55	
		L	9L3Z 17C887 A	\$31.55	
12	Inner	R	9L3Z 17754 B	\$9.82	
		L	9L3Z 17755 B	\$9.00	
13	Outer	R	9L3Z 17754 A	\$9.67	
		L	9L3Z 17755 A	\$8.05	
14	Bolt, Bumper Mtg (a)	R	* N606689 S439	\$4.02	
		L	* N606689 S439	\$4.02	

(a) As Required

15 Bracket Kit, Bumper-See Frame Section

**LARIAT, KING RANCH,
PLATINUM MODEL**

	Refinish Bumper Complete				4.5
	Refinish Face Bar				2.3
	Refinish Upper Cover				2.0
	Refinish Valance Panel				1.0
	R&I Upper Cover				#1.1
	#Includes R&I/R&R Combination Lamp Assemblies				
	R&I Bumper Assy				#2.2
	O/H Bumper Assy (Includes R&I)				#3.3
	#Includes R&I/R&R Combination Lamp Assemblies & Upper Cover				
	Add to R&I/R&R Upper Cover				
	w/Wheel Opening Mldgs				.4
	Add to R&R Face Bar or O/H Bumper Assy				
	w/Fog Lamps				.3
	w/Wheel Opening Mldgs				.4
	R&R Bumper Pad	R			.2
		L			.2

NOTE: All Parts in this section are included in overhaul unless noted otherwise.

1	Cover, Upper (P)				
	2009-12		DL3Z 17D957 BPTM	\$336.71	#1.1
	2013				
	To 2-18-13		DL3Z 17D957 BPTM	\$336.71	#1.1
	From 2-18-13		DL3Z 17D957 BPTM	\$336.71	#1.1
	2014		DL3Z 17D957 BPTM	\$336.71	#1.1

(P) Paint to Match

#Includes R&I/R&R Combination Lamp Assemblies

Bolt, Upper Cover (a)

2	Type 1	R	* W505424 S439	\$1.07	
		L	* W505424 S439	\$1.07	
3	Type 2	09-12 R	* W702434 S439	\$2.15	
		L	* W702434 S439	\$2.15	
		13-14 R	* W505425 S439	\$4.29	
		L	* W505425 S439	\$4.29	

(a) As Required

4	Support, Face Bar		9L3Z 17C947 A	\$23.37	
---	-------------------	--	---------------	---------	--

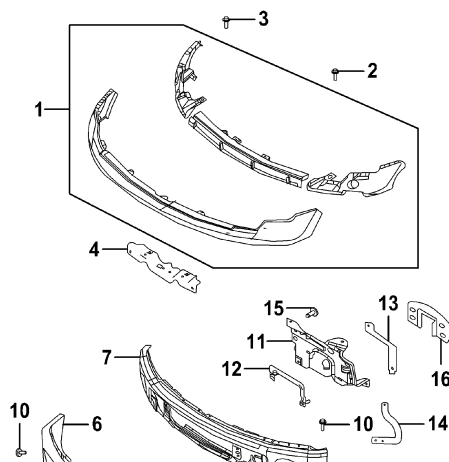
5	Bar, Face Chrome		9L3Z 17757 B	\$524.04	#3.3
---	---------------------	--	--------------	----------	------

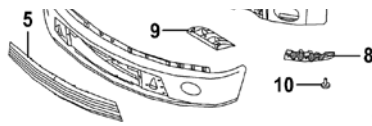
Paint to Match		9L3Z 17757 DPTM	\$437.80	#3.3
#Includes R&I/R&R Combination Lamp Assemblies & Upper Cover				
6 Pad Set, Bumper (a)				
2009-10		9L3Z 17E810 B	\$50.40	#
2011-14				
3.5L Turbo Eng				
w/License Plate Mount		BL3Z 17E811 AA	\$64.98	#
w/o License Plate Mount		9L3Z 17E810 B	\$50.40	#
5.0L, 6.2L Eng		9L3Z 17E810 B	\$50.40	#
(a) Includes Both Sides				
#See Headnotes for Labor Time				
7 Brkt, License Plate				
5.0L, 6.2L Eng		9L3Z 17A385 A	\$18.13	.2
8 Panel, Valance				
w/Sport Pkg (P)		AL3Z 17626 APTM	\$297.40	.4
w/o Sport Pkg				
2WD		9L3Z 17626 A	\$143.13	.4
4WD		9L3Z 17626 B	\$146.78	.4
(P) Paint to Match				
9 Bolt, Valance Panel (a)		* W706599 S439	\$1.87	
(a) As Required				
10 Plate, Bumper Mtg	R	9L3Z 17B984 A	\$60.13	
	L	9L3Z 17B985 A	\$60.13	
Bracket, Bumper Mtg				
11 Front	R	9L3Z 17C886 A	\$31.55	
	L	9L3Z 17C887 A	\$31.55	
12 Inner	R	9L3Z 17754 B	\$9.82	
	L	9L3Z 17755 B	\$9.00	
13 Outer	R	9L3Z 17754 A	\$9.67	
	L	9L3Z 17755 A	\$8.05	
14 Bolt, Bumper Mtg (a)	R	* N606689 S439	\$4.02	
	L	* N606689 S439	\$4.02	

(a) As Required

15 Bracket Kit, Bumper-See Frame Section

LIMITED, LARIAT LIMITED MODEL





002-17580

Refinish Bumper Complete	4.9
Refinish Bumper Cover	2.4
Refinish Bumper Bar	1.3
Refinish Upper Cover	2.0

R&I Upper Cover	#1.1
<i>#Includes R&I/R&R Combination Lamp Assemblies</i>	
R&I Bumper Cover	#3.0
<i>#Includes R&I Bumper Assy</i>	
R&I Bumper Assy	#2.2
O/H Bumper Assy (Includes R&I)	#3.8

#Includes R&I/R&R Combination Lamp Assemblies & Upper Cover

NOTE: All Parts in this section are included in overhaul unless noted otherwise.

1 Cover, Upper (P)		DL3Z 17D957 BPTM	\$336.71	#1.1
(P) Paint to Match				
<i>#Includes R&I/R&R Combination Lamp Assemblies</i>				
Bolt, Upper Cover				
2 Inner, (2)		* N811847 S102	\$4.56	
3 Outer (a)	R	* W505424 S439	\$1.07	
	L	* W505424 S439	\$1.07	
(a) As Required				
4 Support, Face Bar		9L3Z 17C947 A	\$23.37	
5 Grille, Bumper		AL3Z 17B968 BA	\$76.75	#.3
<i>#Included in R&I/R&R Bumper Cover</i>				
6 Cover, Bumper (P)		AL3Z 17626 AA	\$314.90	#3.0
<i>#Includes R&I Bumper Assy</i>				
7 Bar, Bumper (P)		AL3Z 17757 BPTM	\$682.52	IOH
(P) Paint to Match				
8 Absorber, Impact	R	AL3Z 17C882 A	\$56.10	
	L	AL3Z 17C882 B	\$56.10	
9 Reinf, Bumper Mounting		AL3Z 17C947 A	\$56.10	
10 Bolt, Bumper (a)		* W505424 S900	\$1.07	
(a) As Required				
11 Plate, Bumper Mtg	R	9L3Z 17B984 A	\$60.13	
	L	9L3Z 17B985 A	\$60.13	
Bracket, Bumper Mtg				
12 Front	R	9L3Z 17C886 A	\$31.55	
	L	9L3Z 17C887 A	\$31.55	
13 Inner	R	9L3Z 17754 B	\$9.82	
	L	9L3Z 17755 B	\$9.00	
14 Outer	R	9L3Z 17754 A	\$9.67	
	L	9L3Z 17755 A	\$8.05	
15 Bolt, Bumper Mtg (a)	R	* N606689 S439	\$4.02	
	L	* N606689 S439	\$4.02	

(a) As Required

16 Bracket Kit, Bumper-See Frame Section

HARLEY-DAVIDSON MODEL

Refinish Bumper Complete	4.9
Refinish Bumper Cover	2.4

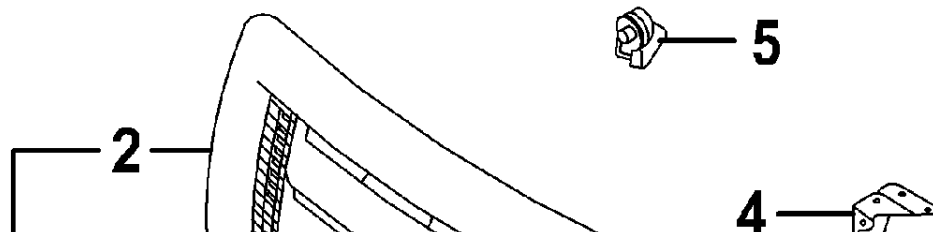
Refinish Bumper Bar			1.3
Refinish Upper Cover			2.0
R&I Upper Cover			#1.1
#Includes R&I/R&R Combination Lamp Assemblies			
R&I Bumper Cover			#3.0
#Includes R&I Bumper Assy			
R&I Bumper Assy			#2.2
O/H Bumper Assy (Includes R&I)			#3.8

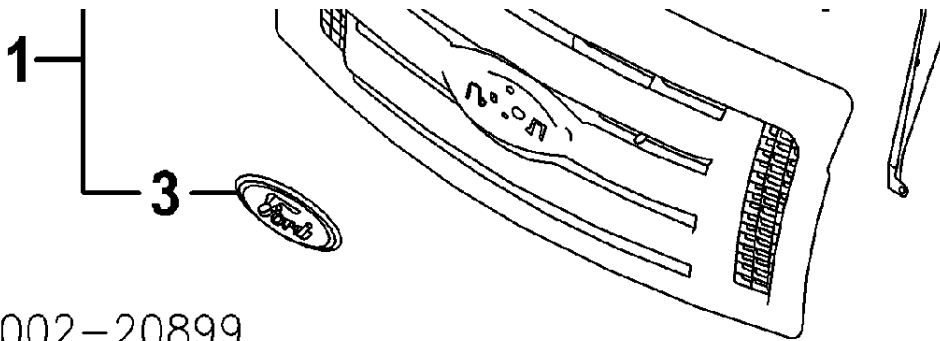
#Includes R&I/R&R Combination Lamp Assemblies & Upper Cover

NOTE: All Parts in this section are included in overhaul unless noted otherwise.

1 Cover, Upper (P)		DL3Z 17D957 BPTM	\$336.71	#1.1
(P) Paint to Match				
#Includes R&I/R&R Combination Lamp Assemblies				
Bolt, Upper Cover				
2 Inner, (2)		* N811847 S102	\$4.56	
3 Outer (a)	R	* W505424 S439	\$1.07	
	L	* W505424 S439	\$1.07	
(a) As Required				
4 Support, Face Bar		9L3Z 17C947 A	\$23.37	
5 Grille, Bumper		AL3Z 17B968 BA	\$76.75	#.3
#Included in R&I/R&R Bumper Cover				
6 Cover, Bumper (P)		AL3Z 17626 AA	\$314.90	#3.0
#Includes R&I Bumper Assy				
7 Bar, Bumper (P)		AL3Z 17757 BPTM	\$682.52	IOH
(P) Paint to Match				
8 Absorber, Impact	R	AL3Z 17C882 A	\$56.10	
	L	AL3Z 17C882 B	\$56.10	
9 Reinf, Bumper Mounting		AL3Z 17C947 A	\$56.10	
10 Bolt, Bumper (a)		* W505424 S900	\$1.07	
(a) As Required				
11 Plate, Bumper Mtg	R	9L3Z 17B984 A	\$60.13	
	L	9L3Z 17B985 A	\$60.13	
Bracket, Bumper Mtg				
12 Front	R	9L3Z 17C886 A	\$31.55	
	L	9L3Z 17C887 A	\$31.55	
13 Inner	R	9L3Z 17754 B	\$9.82	
	L	9L3Z 17755 B	\$9.00	
14 Outer	R	9L3Z 17754 A	\$9.67	
	L	9L3Z 17755 A	\$8.05	
15 Bolt, Bumper Mtg (a)	R	* N606689 S439	\$4.02	
	L	* N606689 S439	\$4.02	
(a) As Required				
16 Bracket Kit, Bumper-See Frame Section				

GRILLE





002-20899

Refinish Grille Assy

#1.5

#Includes Necessary Masking

R&I Grille Assy

#.3

#Included in R&R Hood Panel

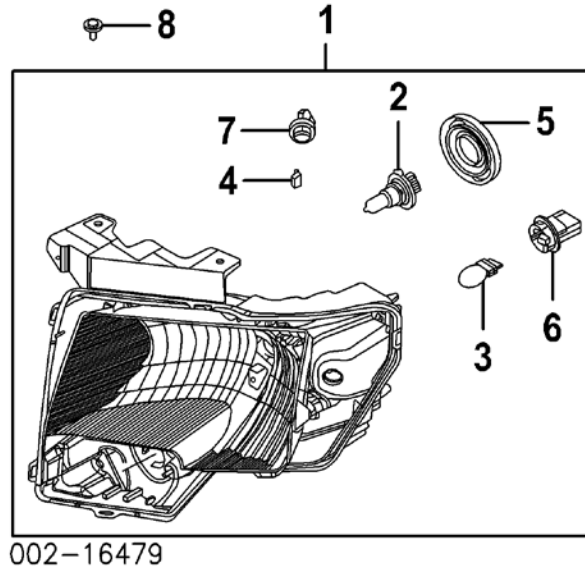
1 Grille Assy

XL Model	09-12	9L3Z 8200 A	\$332.52	.4
	13-14	DL3Z 8200 CA	\$368.92	.4
STX Model-Serviced by Components				
XLT Model				
2009		9L3Z 8200 D	\$551.87	.4
2010				
w/Chrome Pkg		AL3Z 8200 C	\$580.40	.4
w/o Chrome Pkg		9L3Z 8200 D	\$551.87	.4
2011-12				
w/Chrome Pkg		AL3Z 8200 C	\$580.40	.4
w/o Chrome Pkg				
w/Custom Pkg-Serviced by				
Components				
w/o Custom Pkg		9L3Z 8200 D	\$551.87	.4
2013-14				
w/Chrome Pkg		DL3Z 8200 BA	\$968.77	.4
w/o Chrome Pkg				
w/Custom Pkg-Serviced by				
Components				
w/o Custom Pkg		DL3Z 8200 DA	\$864.22	.4
Tremor Model-Serviced by Components				
XTR Model	10-12	AL3Z 8200 C	\$580.40	.4
	13-14	DL3Z 8200 BA	\$968.77	.4
FX2 Model-Serviced by Components				
FX4 Model-Serviced by Components				
Lariat Model				
2009		9L3Z 8200 FA	\$593.57	.4
2010-12				
w/Chrome Pkg		AL3Z 8200 B	\$761.09	.4
w/o Chrome Pkg		9L3Z 8200 FA	\$593.57	.4
2013-14				
w/Chrome Pkg		DL3Z 8200 AA	\$1,232.22	.4
w/o Chrome Pkg		DL3Z 8200 FB	\$890.68	.4
King Ranch Model				
	09-12	9L3Z 8200 FB	\$608.65	.4
	13-14	DL3Z 8200 FA	\$987.85	.4

Platinum Model	09-12	AL3Z 8200 E	\$955.03	.4
Lariat Limited Model	13-14	DL3Z 8200 EA	\$1,320.68	.4
Limited Model-Serviced by Components		BL3Z 8200 BA	\$1,191.15	.4
Harley-Davidson Model-Serviced by Components				
2 Grille				
XL Model-Serviced w/Grille Assy				
STX Model (P)		9L3Z 8200 BPTM	\$352.57	.4
XLT Model				
w/Chrome Pkg-Serviced w/Grille Assy				
w/o Chrome Pkg				
w/Custom Pkg (P)	12	BL3Z 8200 CPTM	\$933.87	.4
	13	DL3Z 8200 GPTM	\$843.38	.4
	14	EL3Z 8200 APTM	\$930.47	.4
w/o Custom Pkg-Serviced w/Grille Assy				
Tremor Model (P)		EL3Z 8200 APTM	\$930.47	.4
XTR Model-Serviced w/Grille Assy				
FX2 Model (P)				
w/Appearance Pkg	12	CL3Z 8200 DPTM	\$825.53	.4
	13	DL3Z 8200 HPTM	\$710.25	.4
	14	EL3Z 8200 APTM	\$930.47	.4
w/o Appearance Pkg	10-12	AL3Z 8200 CCPTM	\$695.10	.4
	13-14	DL3Z 8200 CPTM	\$414.27	.4
FX4 Model (P)				
w/Appearance Pkg	12	CL3Z 8200 DPTM	\$825.53	.4
	13	DL3Z 8200 HPTM	\$710.25	.4
	14	EL3Z 8200 APTM	\$930.47	.4
w/o Appearance Pkg	10-12	AL3Z 8200 CCPTM	\$695.10	.4
	13-14	DL3Z 8200 CPTM	\$414.27	.4
Lariat, King Ranch Model-Serviced w/Grille Assy				
Platinum, Lariat Limited Model-Serviced w/Grille Assy				
Limited Model (P)		DL3Z 8200 EPTM	\$804.53	.4
Harley-Davidson Model (P)	10	AL3Z 8200 DPTM	\$1,016.80	.4
	11-12	BL3Z 8200 DPTM	\$921.40	.4
(P) Paint to Match				
3 Emblem, Grille	09	4L3Z 1542528 AB	\$55.00	.2
	10-14	CL3Z 8213 A	\$54.93	.2
Included w/Grille Assy				
4 Bracket, Grille	R	9L3Z 8182 A	\$31.90	#.1
	L	9L3Z 8182 B	\$31.90	#.1
#Included in R&R Grille Assy				
5 Bumper, Lower Hood	R	9L3Z 16758 F	\$25.00	
	L	9L3Z 16758 G	\$21.12	

FRONT LAMPS
COMBINATION LAMP
COMBINATION LAMP

HALOGEN



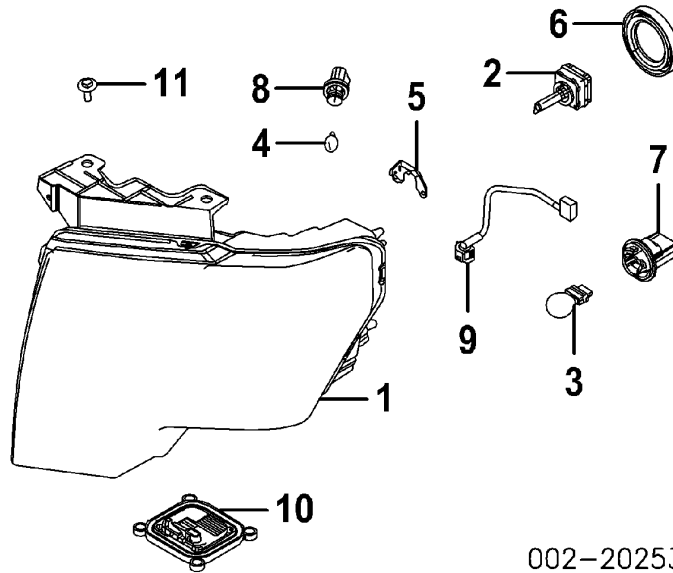
Aim Lamps				.4
R&I Combination Lamp Assy				.3
	R			.3
	L			.3
<i>NOTE: R&R Does Not include aim lamps.</i>				
1 Lamp Assy, Combination				
2009	R	DL3Z 13008 A	\$270.05	.3
	L	DL3Z 13008 B	\$270.05	.3
2010				
Chrome Trim	R	DL3Z 13008 A	\$270.05	.3
	L	DL3Z 13008 B	\$270.05	.3
Sterling Gray Trim	R	AL3Z 13008 AG	\$430.87	.3
	L	AL3Z 13008 AH	\$441.40	.3
Black Trim	R	DL3Z 13008 EB	\$307.68	.3
	L	DL3Z 13008 EC	\$308.97	.3
2011-12				
Chrome Trim	R	DL3Z 13008 A	\$270.05	.3
	L	DL3Z 13008 B	\$270.05	.3
Black Trim	R	DL3Z 13008 EB	\$307.68	.3
	L	DL3Z 13008 EC	\$308.97	.3
2013-14				
Chrome Trim	R	DL3Z 13008 A	\$270.05	.3
	L	DL3Z 13008 B	\$270.05	.3
Black Trim	R	DL3Z 13008 EB	\$307.68	.3
	L	DL3Z 13008 EC	\$308.97	.3
2 Bulb, Headlamp	R	5C3Z 13N021 AA	\$26.12	#.2
	L	5C3Z 13N021 AA	\$26.12	#.2
3 Bulb, Park/Signal	R	YR3Z 13466 AD	\$5.67	#.2
	L	YR3Z 13466 AD	\$5.67	#.2
4 Bulb, Side Marker	R	C7SZ 13466 B	\$1.18	#.2
	L	C7SZ 13466 B	\$1.18	#.2

#R&R One Side Complete, Included in R&I/R&R Combination

		Lamp Assy	
5 Cover, Headlamp	R	9L3Z 13N019 A	\$7.02
	L	9L3Z 13N019 A	\$7.02
6 Socket, Park/Signal	R	2U5Z 13411 SA	\$16.98
	L	2U5Z 13411 SA	\$16.98
7 Socket, Side Marker	09-12 R	F81Z 13411 AA	\$13.90
	L	F81Z 13411 AA	\$13.90
	13-14 R	AL8Z 13411 B	\$5.15
	L	AL8Z 13411 B	\$5.15
		Included w/Combination Lamp Assy	
8 Screw, Mounting (3/Side)	R	* W703277 S900	\$1.07
	L	* W703277 S900	\$1.07

Harness, Front Lamp-See Front Fender Section

COMBINATION LAMP COMBINATION LAMP HID



002-20253

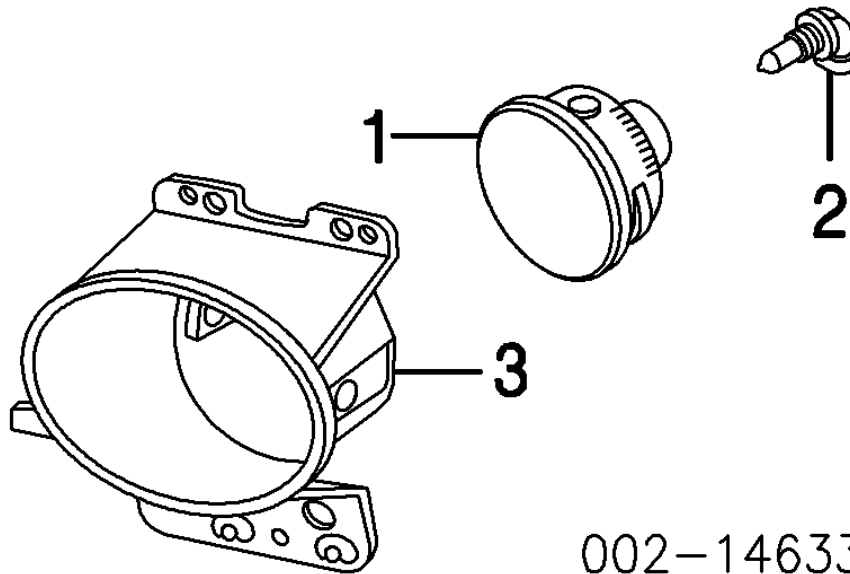
Aim Lamps				
R&I Combination Lamp Assy	R			.4
	L			.3
				.3
NOTE: R&R Does Not include aim lamps.				
1 Lamp, Combination				
Chrome Trim	R	DL3Z 13008 AB	\$679.03	.5
	L	DL3Z 13008 AC	\$685.75	.5
Black Trim	R	DL3Z 13008 DB	\$761.25	.5
	L	DL3Z 13008 FB	\$754.45	.5
2 Bulb, Headlamp	R	7L7Z 13N021 A	\$380.20	#.2
	L	7L7Z 13N021 A	\$380.20	#.2
3 Bulb, Park/Signal	R	YR3Z 13466 AD	\$5.67	#.2
	L	YR3Z 13466 AD	\$5.67	#.2
4 Bulb, Side Marker	R	C7SZ 13466 B	\$1.18	#.2
	L	C7SZ 13466 B	\$1.18	#.2

#R&R One Side Complete, Included in R&I/R&R Combination Lamp Assy

5 Retainer, Bulb	R	DL3Z 13N019 A	\$21.88	
	L	DL3Z 13N019 A	\$21.88	
6 Cover, Headlamp	R	4S4Z 13N019 AA	\$8.47	
	L	4S4Z 13N019 AA	\$8.47	
7 Socket, Park/Signal	R	2U5Z 13411 SA	\$16.98	
	L	2U5Z 13411 SA	\$16.98	
8 Socket, Side Marker	R	AL8Z 13411 B	\$5.15	
	L	AL8Z 13411 B	\$5.15	
9 Harness, Bulb	R	DL3Z 13A006 E	\$18.58	
	L	DL3Z 13A006 D	\$30.77	
10 Ballast, Lamp	R	DL3Z 13C170 A	\$344.00	#.2
	L	DL3Z 13C170 A	\$344.00	#.2
<i>#w/Combination Lamp Removed, Included in R&R Combination Lamp</i>				
11 Screw, Mounting (3/Side)	R	* W703277 S900	\$1.07	
	L	* W703277 S900	\$1.07	

Harness, Front Lamp-See Front Fender Section

FOG LAMP



002-14633

Aim Fog Lamps R&I Fog Lamp

#Included in R&R Face Bar or O/H Bumper Assy
NOTE: R&R Does Not include aim lamps.

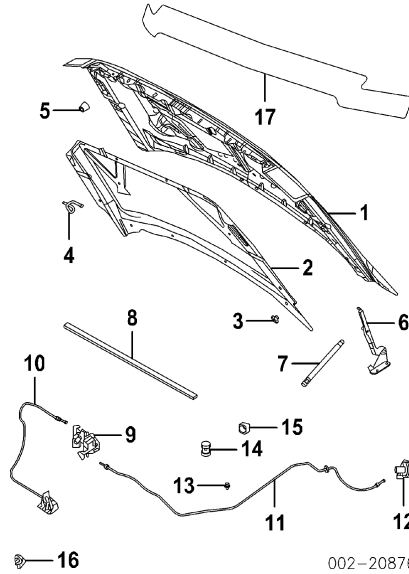
1 Lamp, Fog	09-10	R	AL3Z 15200 A	\$36.08	#.3
		L	AL3Z 15201 A	\$36.08	#.3
	11-14	R	BL3Z 15200 A	\$78.50	#.3
		L	BL3Z 15200 A	\$78.50	#.3
<i>#Included in R&R Face Bar or O/H Bumper Assy</i>					
2 Bulb, Fog Lamp		R	FL3Z 13466 A	\$26.20	#.2
		L	FL3Z 13466 A	\$26.20	#.2
<i>#Included in R&I/R&R Fog Lamp</i>					
3 Bracket, Fog Lamp	09-10	R	9L3Z 15266 A	\$50.52	#.3
		L	9L3Z 15266 B	\$49.92	#.3

11-14	R	BL3Z 15266 A	\$52.32	#.3
	L	BL3Z 15266 B	\$52.33	#.3

#Included in R&R Face Bar or O/H Bumper Assy, Included in R&R Fog Lamp

HOOD

Use Procedure Explanations 4 and 28 with the following text.



Refinish Hood Outside				3.0
Add for Underside				1.5
Refinish Hinge				.5
	R			.5
	L			.5
R&I Hood Assy				.5
R&I Hood Deflector				#.2
#Not Included in R&R Hood				
Add to R&R Hood Panel				
w/Hood Deflector				.2
To Drill for & Install Deflector				.3
Add to R&R Hood Panel w/Insulator				.3
1 Hood (Alum)		9L3Z 16612 A	\$880.00	1.4
Stripe, Hood-See Stripe Tape Section				
2 Insulator, Hood	09-10	9L3Z 16738 A	\$107.43	.3
	11-14	BL3Z 16738 A	\$74.55	.3
3 Clip, Insulator (12)		* W705002 S300	\$5.42	
4 Striker, Hood		9L3Z 16K689 A	\$20.70	.2
5 Bumper, Front Hood	R	9L3Z 16758 C	\$5.22	.1
	L	9L3Z 16758 C	\$5.22	.1
6 Hinge, Hood	R	CL3Z 16796 A	\$57.55	#.3
	L	9L3Z 16797 A	\$54.18	#.3
#w/Hood & Cowl Grille Removed				
7 Support, Hood	R	9L3Z 16C826 A	\$39.37	#.2
	L	9L3Z 16C826 A	\$39.37	#.2

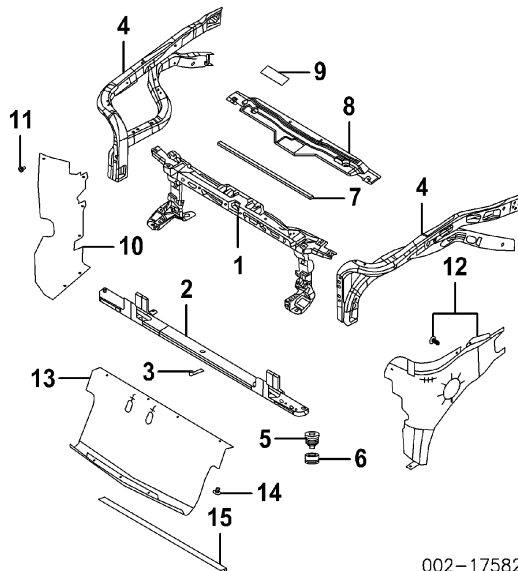
#w/Hood Hinge Removed Deduct .1

8 Seal, Front Hood-See Cooling Section				
9 Latch, Hood		4L3Z 16700 AB	\$64.45	.3
10 Latch, Secondary		AL3Z 16916 A	\$42.07	#.3
	#Included in R&R Face Bar or O/H Bumper Assy			
11 Cable, Hood Release		9L3Z 16916 A	\$11.97	#.8
	#w/Necessary Bolted Parts & Assy's Removed, Includes R&R Hood Release Handle			
12 Handle, Hood Release		9L3Z 16916 AA	\$30.08	.3
13 Clip, Cable (a)		* W715544 S300	\$0.51	
	(a) As Required			
Bumper, Side Hood				
14 Front	R	9L3Z 16758 D	\$8.72	.1
	L	9L3Z 16758 D	\$8.72	.1
15 Rear	R	9L3Z 16758 E	\$5.22	.1
	L	9L3Z 16758 E	\$5.22	.1
16 Bumper, Lower Hood-See Grille Section				
17 Deflector, Hood (a)				
	Dealer Installed			
		AL3Z 16C900 A	\$125.00	#.2
		9L3Z 16C900 A	\$86.43	#.2
		VBL3Z 16C900 A	\$79.00	#.2

(a) Contact Dealer for Price & Availability
 #Not Included in R&R Hood

COOLING

Use Procedure Explanations 5 and 28
 with the following text.
 2009



Refinish Lower Radiator Support
 R&I Radiator
 #Includes R&I Condenser/Drier
 R&R Radiator Support Complete

.8
 #3.3
 #5.7

#w/Upper Cover & Front Bumper Removed, Includes Raising Front of Cab Assy, Supporting & Realignment of Cab Assy, R&R Hood Latch, Upper Radiator Support, Lower Radiator Support, Horn, Upper Air Deflector, Side Air Deflectors, Disconnect & Connect Wiring & Release Cable as Necessary, w/Cab Removed Deduct 1.3

Add to R&R Radiator Support Complete

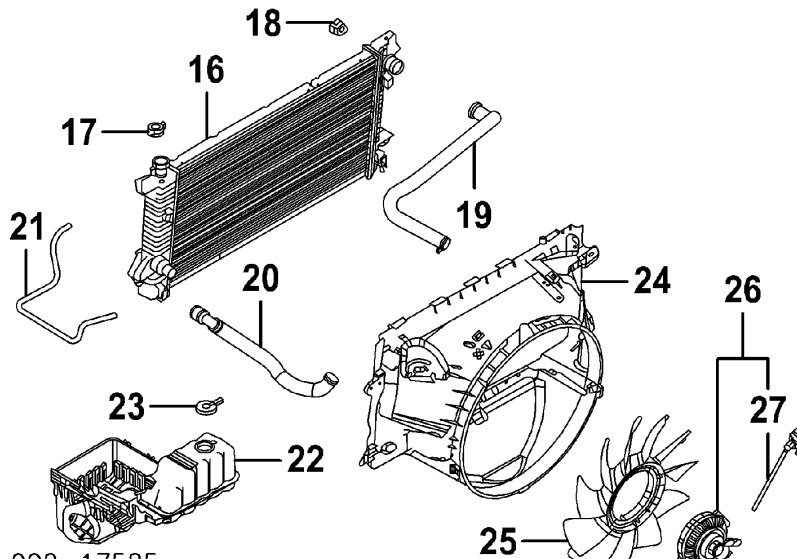
To R&I/R&R Base Model Mechanical

#3.6

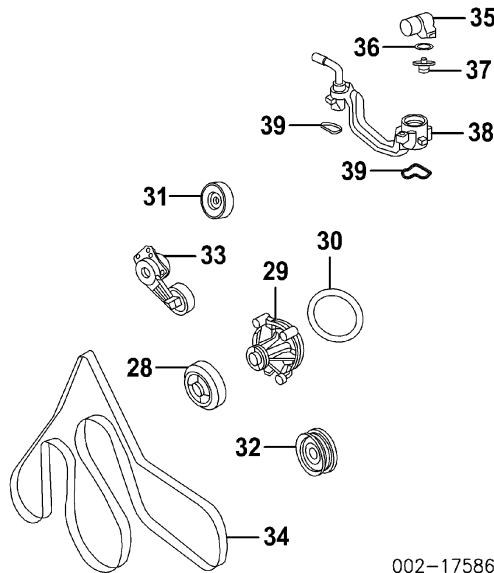
Components

#Includes R&I/R&R Radiator Assy, Air Bag Sensor, Ambient Temp Sensor

1 Support, Upper Rad (Mag)		9L3Z 16138 B	\$372.62	#1.5
#w/Upper Cover & Front Bumper Removed, Includes R&I/R&R Upper Air Deflector, Side Air Deflectors, Horn, Hood Latch, Disconnect & Connect Wiring & Release Cable as Necessary				
2 Support, Lower Rad (HSS)		BL3Z 16139 B	\$177.37	#4.2
#w/Necessary Bolted Parts & Assemblies Removed, Includes Raising Front of Cab Assy, Supporting & Realignment of Cab Assy, w/Cab Removed Deduct 1.3				
3 Bracket, Support		5L3Z 16864 AA	\$44.87	
4 Rail, Side-See Front Fender Section				
5 Cushion, Upr Rad Supt-See Frame Section				
6 Cushion, Lwr Rad Supt-See Frame Section				
7 Seal, Front Hood		AL3Z 16A238 A	\$49.00	
8 Deflector, Upper Air		9L3Z 19E525 A	\$69.93	.2
9 Label, Rad Caution-See Information Labels Section				
10 Deflector, Side Air	R	9L3Z 8310 A	\$31.77	.1
	L	AL3Z 8311 A	\$22.65	.1
11 Rivet, Deflector (a)	R	* W706350 S3000	\$2.15	
	L	* W706350 S3000	\$2.15	
(a) As Required				
12 Shield, Side	L	9L3Z 9E944 B	\$33.87	
13 Deflector, Lower Air		9L3Z 8327 B	\$58.47	.3
14 Clip, Deflector (a)		* W713661 S300	\$3.48	
(a) As Required				
15 Seal, Lower		4L3Z 8349 AA	\$37.70	



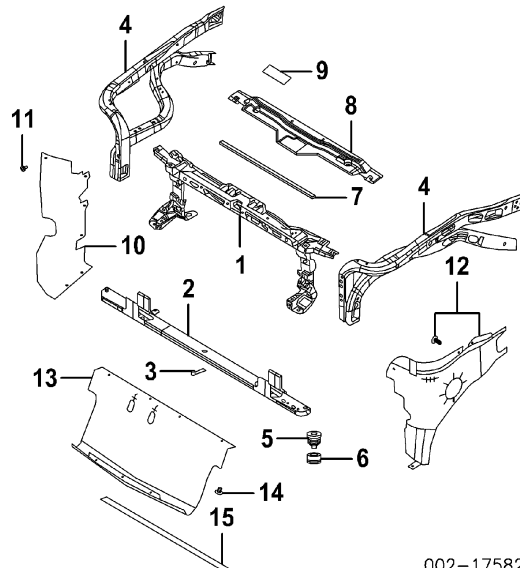
16 Radiator				
Std Duty Cooling		9L3Z 8005 A	\$320.60	#3.7
Hvy Duty Cooling		9L3Z 8005 B	\$387.23	#3.7
#Includes R&R Condenser				
17 Cap, Radiator		E9SZ 8100 A	\$16.62	
18 Insulator, Mounting				
Upper	R	7L1Z 8125 A	\$11.20	
	L	7L1Z 8125 A	\$11.20	
Lower				
5.4L Eng	R	7L1Z 8124 A	\$11.67	
	L	7L1Z 8124 A	\$11.67	
19 Hose, Upper Rad				
4.6L Eng		9L3Z 8260 B	\$56.64	#.8
5.4L Eng		9L3Z 8260 C	\$54.62	#.8
20 Hose, Lower Rad		9L3Z 8286 C	\$57.78	#1.5
#R&R Both 2.0				
21 Hose, Overflow		9L3Z 8N029 A	\$15.49	.5
22 Housing/Reservoir, Air Cleaner-See Air Cleaner Section				
23 Cap, Reservoir-See Air Cleaner Section				
24 Shroud, Fan		9L3Z 8146 BA	\$231.63	1.7
25 Fan, Cooling		6L2Z 8600 BA	\$77.27	#1.4
26 Clutch Assy, Fan		9L3Z 8A616 B	\$399.47	#1.4
27 Harness, Fan		9L3Z 8C290 B	\$44.60	#1.4
Included w/Fan Clutch Assy				
#R&R Complete				



28 Pulley, Water Pump		002-17586		
#Includes R&R Drive Belt		F6TZ 8509 AA	\$22.05	#1.1
29 Pump, Water		3L3Z 8501 CA	\$132.07	#2.4
#Includes R&R Pulley				
30 Gskt, Water Pump Pulley, Idler		F1VY 8507 A	\$6.33	

31	Upper (a)	1L2Z 8678 AB	\$56.04	#.8
32	Lower	6L3Z 6C348 A	\$49.10	#.8
	(a) As Required			
33	Tensioner, Belt	1L2Z 6B209 AA	\$104.14	#.9
	#Includes R&R Drive Belt			
34	Belt, Drive	9L3Z 8620 A	\$60.76	.7
35	Cover, Thermostat			
	4.6L Eng			
	16 Valve	9L3Z 8592 B	\$14.24	#.9
	24 Valve	7R3Z 8592 A	\$34.91	#.9
	5.4L Eng	9L3Z 8592 A	\$12.73	#.9
36	Gskt, Thermostat	F1VY 8255 A	\$9.70	#.9
37	Thermostat	7L3Z 8575 D	\$13.72	#.9
	#R&R Complete			
38	Housing, Thermostat			
	4.6L Eng			
	16 Valve	N.A.		
	24 Valve	7R3Z 8C368 G	\$211.20	
	5.4L Eng	3L3Z 8C368 C	\$192.95	
39	Gskt, Housing			
	4.6L Eng			
	16 Valve	R 5W7Z 8C387 AA	\$6.55	
		L 5W7Z 8C388 AA	\$6.55	
	24 Valve	R 6L2Z 8C388 A	\$7.42	
		L 4R3Z 8C387 A	\$7.09	
	5.4L Eng	R 3L3Z 8C387 AC	\$12.31	
		L 3L3Z 8C388 AC	\$13.18	

2010 2010 4.6L ENG



002-17582

Refinish Lower Radiator Support
R&I Radiator
#Includes R&I Condenser/Drier

.8
#3.3

R&R Radiator Support Complete

#5.7

#w/Upper Cover & Front Bumper Removed, Includes Raising Front of Cab Assy, Supporting & Realignment of Cab Assy, R&R Hood Latch, Upper Radiator Support, Lower Radiator Support, Horn, Upper Air Deflector, Side Air Deflectors, Disconnect & Connect Wiring & Release Cable as Necessary, w/Cab Removed Deduct 1.3

Add to R&R Radiator Support Complete

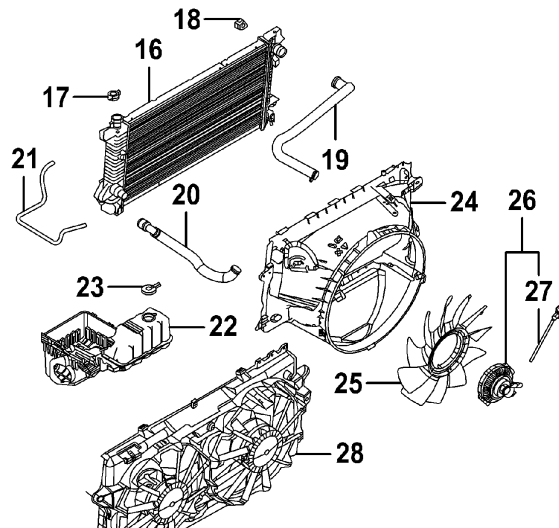
To R&I/R&R Base Model Mechanical

#3.6

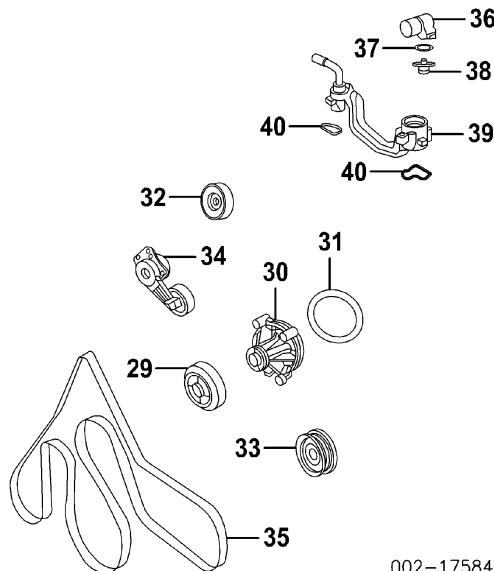
Components

#Includes R&I/R&R Radiator Assy, Air Bag Sensor, Ambient Temp Sensor

1 Support, Upper Rad (Mag)		9L3Z 16138 B	\$372.62	#1.5
#w/Upper Cover & Front Bumper Removed, Includes R&I/R&R Upper Air Deflector, Side Air Deflectors, Horn, Hood Latch, Disconnect & Connect Wiring & Release Cable as Necessary				
2 Support, Lower Rad (HSS)		BL3Z 16139 B	\$177.37	#4.2
#w/Necessary Bolted Parts & Assemblies Removed, Includes Raising Front of Cab Assy, Supporting & Realignment of Cab Assy, w/Cab Removed Deduct 1.3				
3 Bracket, Support		5L3Z 16864 AA	\$44.87	
4 Rail, Side-See Front Fender Section				
5 Cushion, Upr Rad Supt-See Frame Section				
6 Cushion, Lwr Rad Supt-See Frame Section				
7 Seal, Front Hood		AL3Z 16A238 A	\$49.00	
8 Deflector, Upper Air		9L3Z 19E525 A	\$69.93	.2
9 Label, Rad Caution-See Information Labels Section				
10 Deflector, Side Air	R	9L3Z 8310 A	\$31.77	.1
	L	AL3Z 8311 A	\$22.65	.1
11 Rivet, Deflector (a)	R	* W706350 S3000	\$2.15	
	L	* W706350 S3000	\$2.15	
(a) As Required				
12 Shield, Side	L	9L3Z 9E944 B	\$33.87	
13 Deflector, Lower Air		9L3Z 8327 B	\$58.47	.3
14 Clip, Deflector (a)		* W713661 S300	\$3.48	
(a) As Required				
15 Seal, Lower		4L3Z 8349 AA	\$37.70	

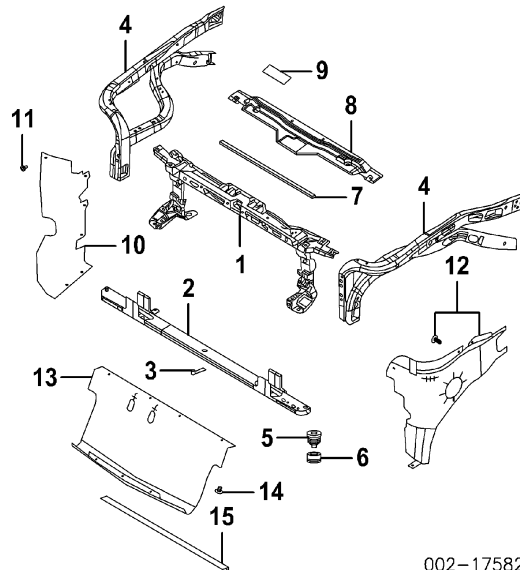


16 Radiator				
Std Duty Cooling		9L3Z 8005 A	\$320.60	#3.7
Hvy Duty Cooling		9L3Z 8005 B	\$387.23	#3.7
#Includes R&R Condenser				
17 Cap, Radiator		E9SZ 8100 A	\$16.62	
18 Insulator, Mounting				
Upper	R	7L1Z 8125 A	\$11.20	
	L	7L1Z 8125 A	\$11.20	
Lower	R	7L1Z 8124 A	\$11.67	
	L	7L1Z 8124 A	\$11.67	
19 Hose, Upper Rad		9L3Z 8260 B	\$56.64	#.8
20 Hose, Lower Rad		9L3Z 8286 C	\$57.78	#1.5
#R&R Both 2.0				
21 Hose, Overflow		9L3Z 8N029 A	\$15.49	.5
22 Housing/Reservoir, Air Cleaner-See Air Cleaner Section				
23 Cap, Reservoir-See Air Cleaner Section				
24 Shroud, Fan				
16 Valve Eng		9L3Z 8146 BA	\$231.63	1.7
25 Fan, Cooling				
16 Valve Eng		6L2Z 8600 BA	\$77.27	#1.4
26 Clutch Assy, Fan				
16 Valve Eng		9L3Z 8A616 B	\$399.47	#1.4
27 Harness, Fan				
16 Valve Eng		9L3Z 8C290 B	\$44.60	#1.4
Included w/Fan Clutch Assy				
#R&R Complete				
28 Module Assy, Cooling				
24 Valve Eng		BL3Z 8C607 A	\$359.09	#1.7
#Included in R&I/R&R Radiator				
Washer, Mounting (2) (b)		F75Z 8K653 AA	\$4.64	
(b) Included w/Cooling Module Assy				



29 Pulley, Water Pump #Includes R&R Drive Belt	F6TZ 8509 AA	\$22.05	#1.1
30 Pump, Water #Includes R&R Pulley	3L3Z 8501 CA	\$132.07	#2.4
31 Gskt, Water Pump Pulley, Idler	F1VY 8507 A	\$6.33	
32 Upper (a)	1L2Z 8678 AB	\$56.04	#.8
33 Lower (a) As Required	6L3Z 6C348 A	\$49.10	#.8
34 Tensioner, Belt #Includes R&R Drive Belt	1L2Z 6B209 AA	\$104.14	#.9
35 Belt, Drive	9L3Z 8620 A	\$60.76	.7
36 Cover, Thermostat 16 Valve Eng	9L3Z 8592 B	\$14.24	#.9
24 Valve Eng	7R3Z 8592 A	\$34.91	#.9
37 Gskt, Thermostat	F1VY 8255 A	\$9.70	#.9
38 Thermostat #R&R Complete	7L3Z 8575 D	\$13.72	#.9
39 Housing, Thermostat 16 Valve Eng	N.A.		
24 Valve Eng	7R3Z 8C368 G	\$211.20	
40 Gskt, Housing 16 Valve Eng	R 5W7Z 8C387 AA	\$6.55	
	L 5W7Z 8C388 AA	\$6.55	
24 Valve Eng	R 6L2Z 8C388 A	\$7.42	
	L 4R3Z 8C387 A	\$7.09	

2010
2010 5.4L ENG



002-17582

Refinish Lower Radiator Support
R&I Radiator
#Includes R&I Condenser/Drier
R&R Radiator Support Complete

.8
#3.3
#5.7

#w/Upper Cover & Front Bumper Removed, Includes Raising Front of Cab Assy, Supporting & Realignment of Cab Assy, R&R Hood Latch, Upper Radiator Support, Lower Radiator Support, Horn, Upper Air Deflector, Side Air Deflectors, Disconnect & Connect Wiring & Release Cable as Necessary, w/Cab Removed Deduct 1.3

Add to R&R Radiator Support Complete

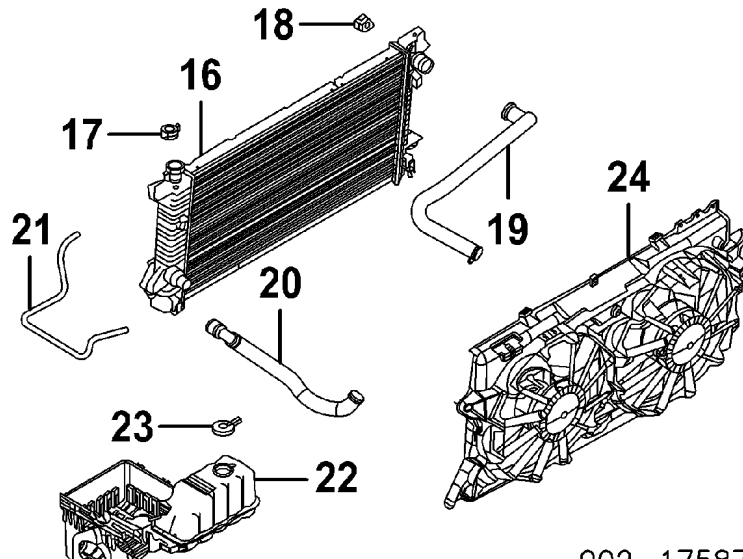
To R&I/R&R Base Model Mechanical

#3.6

Components

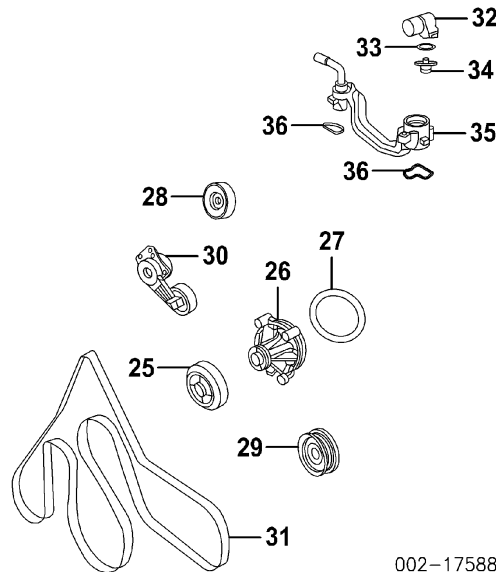
#Includes R&I/R&R Radiator Assy, Air Bag Sensor, Ambient Temp Sensor

1 Support, Upper Rad (Mag)		9L3Z 16138 B	\$372.62	#1.5
#w/Upper Cover & Front Bumper Removed, Includes R&I/R&R Upper Air Deflector, Side Air Deflectors, Horn, Hood Latch, Disconnect & Connect Wiring & Release Cable as Necessary				
2 Support, Lower Rad (HSS)		BL3Z 16139 B	\$177.37	#4.2
#w/Necessary Bolted Parts & Assemblies Removed, Includes Raising Front of Cab Assy, Supporting & Realignment of Cab Assy, w/Cab Removed Deduct 1.3				
3 Bracket, Support		5L3Z 16864 AA	\$44.87	
4 Rail, Side-See Front Fender Section				
5 Cushion, Upr Rad Supt-See Frame Section				
6 Cushion, Lwr Rad Supt-See Frame Section				
7 Seal, Front Hood		AL3Z 16A238 A	\$49.00	
8 Deflector, Upper Air		9L3Z 19E525 A	\$69.93	.2
9 Label, Rad Caution-See Information Labels Section				
10 Deflector, Side Air	R	9L3Z 8310 A	\$31.77	.1
	L	AL3Z 8311 A	\$22.65	.1
11 Rivet, Deflector (a)	R	* W706350 S3000	\$2.15	
	L	* W706350 S3000	\$2.15	
(a) As Required				
12 Shield, Side	L	9L3Z 9E944 B	\$33.87	
13 Deflector, Lower Air		9L3Z 8327 B	\$58.47	.3
14 Clip, Deflector (a)		* W713661 S300	\$3.48	
(a) As Required				
15 Seal, Lower		4L3Z 8349 AA	\$37.70	



000 17597

16 Radiator				
Std Duty Cooling		9L3Z 8005 A	\$320.60	#3.7
Hvy Duty Cooling		9L3Z 8005 B	\$387.23	#3.7
#Includes R&R Condenser				
17 Cap, Radiator		E9SZ 8100 A	\$16.62	
18 Insulator, Mounting				
Upper	R	7L1Z 8125 A	\$11.20	
	L	7L1Z 8125 A	\$11.20	
	R	7L1Z 8124 A	\$11.67	
Lower	L	7L1Z 8124 A	\$11.67	
19 Hose, Upper Rad		9L3Z 8260 C	\$54.62	#.8
20 Hose, Lower Rad		9L3Z 8286 C	\$57.78	#1.5
#R&R Both 2.0				
21 Hose, Overflow		9L3Z 8N029 A	\$15.49	.5
22 Housing/Reservoir, Air Cleaner-See Air Cleaner Section				
23 Cap, Reservoir-See Air Cleaner Section				
24 Module Assy, Cooling		BL3Z 8C607 A	\$359.09	#1.7
#Included in R&L/R&R Radiator				
Washer, Mounting (2) (b)		F75Z 8K653 AA	\$4.64	
(b) Included w/Cooling Module Assy				

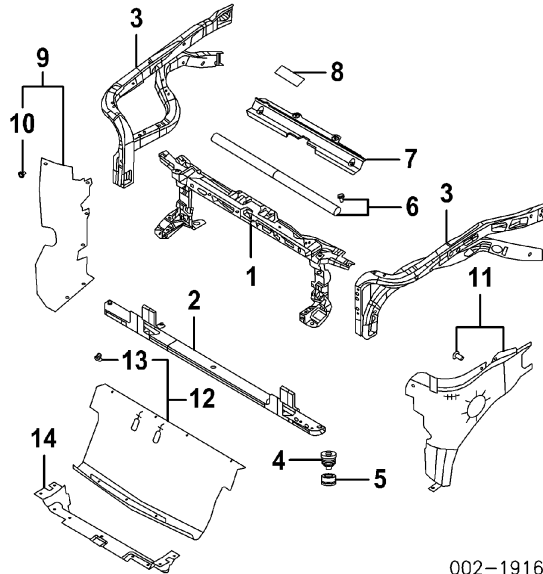


		002-17588		
25 Pulley, Water Pump		F6TZ 8509 AA	\$22.05	#1.1
#Includes R&R Drive Belt				
26 Pump, Water		AL3Z 8501 B	\$114.18	#2.4
#Includes R&R Pulley				
27 Gskt, Water Pump		F1VY 8507 A	\$6.33	
Pulley, Idler				
28 Upper (a)		1L2Z 8678 AB	\$56.04	#.8
29 Lower		6L3Z 6C348 A	\$49.10	#.8
(a) As Required				
30 Tensioner, Belt		1L2Z 6B209 AA	\$104.14	#.9
#Includes R&R Drive Belt				
31 Belt, Drive		9L3Z 8620 A	\$60.76	.7

32 Cover, Thermostat		9L3Z 8592 A	\$12.73	#.9
33 Gskt, Thermostat		F1VY 8255 A	\$9.70	#.9
34 Thermostat		7L3Z 8575 D	\$13.72	#.9
35 Housing, Thermostat		3L3Z 8C368 C	\$192.95	
36 Gskt, Housing	R	3L3Z 8C387 AC	\$12.31	
	L	3L3Z 8C388 AC	\$13.18	

2011-14

2011-14 3.5L TURBO ENG



002-19162

Refinish Lower Radiator Support

R&I Radiator

#Includes R&I Condenser/Drier

R&R Radiator Support Complete

#w/Upper Cover & Front Bumper Removed, Includes Raising Front of Cab Assy, Supporting & Realignment of Cab Assy, R&R Hood Latch, Upper Radiator Support, Lower Radiator Support, Horn, Upper Air Deflector, Side Air Deflectors, Disconnect & Connect Wiring & Release Cable as Necessary, w/Cab Removed Deduct 1.3

Add to R&R Radiator Support Complete

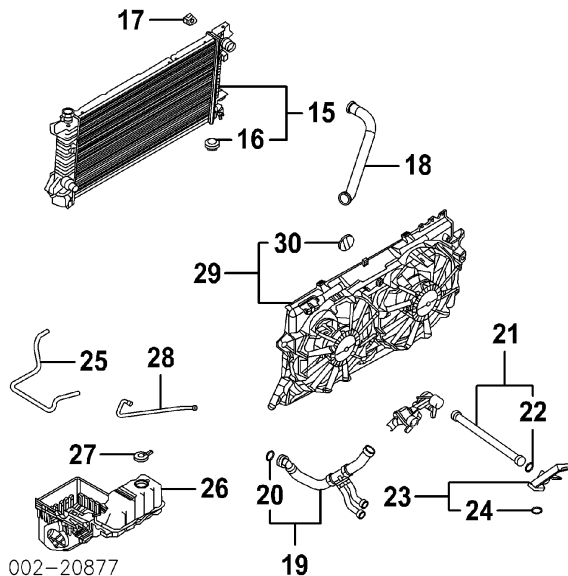
To R&I/R&R Base Model Mechanical

Components

#Includes R&I/R&R Radiator Assy, Air Bag Sensor, Ambient Temp Sensor, Charge Air Cooler

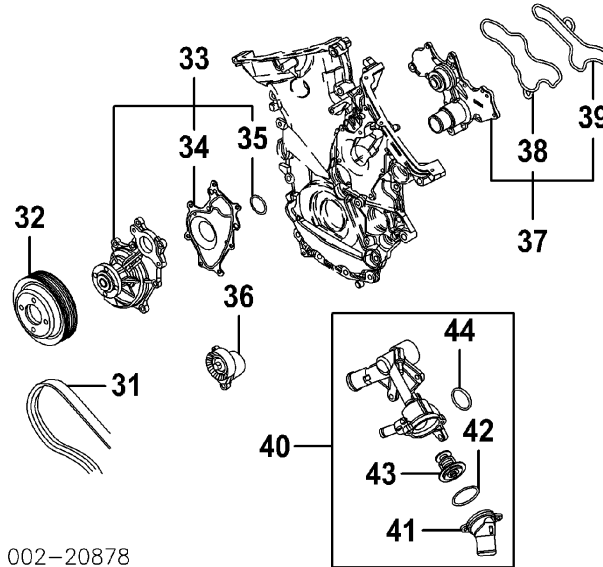
1 Support, Upper Rad (Mag)		9L3Z 16138 B	\$372.62	#1.5
2 Support, Lower Rad (HSS)		BL3Z 16139 B	\$177.37	#4.2
3 Rail, Side-See Front Fender Section				
4 Cushion, Upr Rad Supt-See Frame Section				
5 Cushion, Lwr Rad Supt-See Frame Section				

6 Seal, Front Hood		AL3Z 16A238 A	\$49.00	
7 Deflector, Upper Air		BL3Z 19E525 A	\$42.85	.2
8 Label, Rad Caution-See Information Labels Section				
9 Deflector Assy, Side Air	R	AL3Z 8310 A	\$31.52	.1
	L	AL3Z 8311 A	\$22.65	.1
10 Clip, Deflector (a)	R	* W705589 S	\$1.82	
	L	* W705589 S	\$1.82	
<i>Included w/Side Air Deflector Assy</i>				
Rivet, Deflector (a)	R	* W706350 S3000	\$2.15	
	L	* W706350 S3000	\$2.15	
<i>(a) As Required</i>				
11 Shield, Side	L	BL3Z 9E944 A	\$20.40	
12 Deflector Assy, Lower Air				
Dearborn Plant		BL3Z 8327 A	\$60.93	.3
Kansas City Plant		BL3Z 8327 B	\$60.68	.3
13 Clip, Deflector (a) (b)		* W713661 S300	\$3.48	
<i>(b) Included w/Lower Air Deflector Assy</i>				
<i>(a) As Required</i>				
14 Cover, Lower		BL3Z 9910494 A	\$16.85	.2



15 Radiator Assy				
Std Cooling		BL3Z 8005 B	\$444.29	#3.7
Super Cooling		BL3Z 8005 C	\$676.17	#3.7
<i>#Includes R&R Condenser</i>				
16 Insulator, Lower Mounting (c)	R	7L1Z 8124 A	\$11.67	
	L	7L1Z 8124 A	\$11.67	
<i>(c) Included w/Radiator Assy</i>				
17 Insulator, Upper Mounting	R	7L1Z 8125 A	\$11.20	
	L	7L1Z 8125 A	\$11.20	
18 Hose, Upper Radiator		BL3Z 8260 A	\$51.24	#.8
19 Hose Assy, Lower Radiator		BL3Z 8286 A	\$65.22	#1.5
<i>#R&R Both 2.0</i>				
20 Seal, Hose (d)		BC3Z 8590 F	\$6.08	
<i>(d) Included w/Lower Radiator Hose Assy</i>				

21 Hose Assy, By-Pass		BL3Z 8A505 A	\$25.27	
22 Seal, Hose (2) (e)		7T4Z 8527 A	\$4.78	
(e) Included w/By-Pass Hose Assy				
23 Pipe Assy, By-Pass	11-12	BL3Z 8C368 B	\$85.47	
	13-14	DL3Z 8C368 A	\$78.78	
24 Gskt, Pipe (2) (f)		7T4Z 9439 D	\$1.34	
(f) Included w/By-Pass Pipe Assy				
25 Hose, Overflow		BL3Z 8075 A	\$61.42	
26 Housing/Reservoir, Air Cleaner-See Air Cleaner Section				
27 Cap, Reservoir-See Air Cleaner Section				
28 Hose, Water		BL3Z 8276 A	\$20.84	
29 Module Assy, Cooling Fan				
w/Towing Pkg				
Load Leveling		BL3Z 8C607 A	\$359.09	#1.7
Non-Load Leveling		AL3Z 8C607 A	\$256.25	#1.7
w/o Towing Pkg		AL3Z 8C607 A	\$256.25	#1.7
#Included in R&I/R&R Radiator				
30 Washer, Mounting (2) (g)		F75Z 8K653 AA	\$4.64	
(g) Included w/Cooling Fan Module Assy				



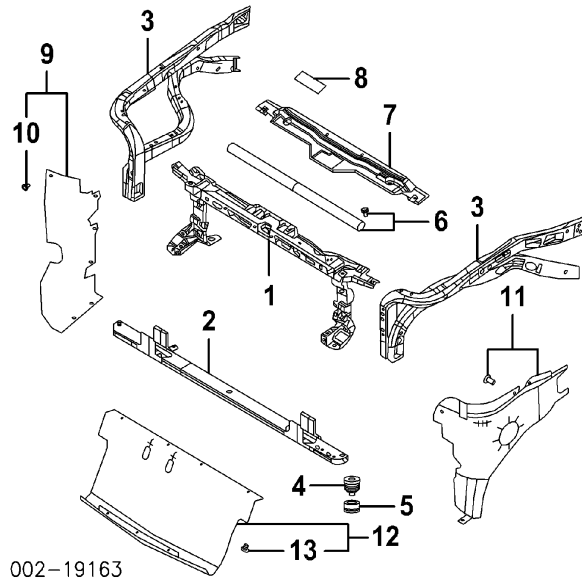
002-20878

31 Belt, Drive		BL3Z 8620 C	\$39.11	.8
32 Pulley, Water Pump		BR3Z 8509 G	\$10.77	1.2
33 Pump Assy, Outer Water		BL3Z 8501 A	\$119.97	#2.6
#Includes R&R Pulley				
34 Gskt, Water Pump (h)		BR3Z 8507 C	\$31.54	
35 Seal, Water Pump (h)		BR3Z 8527 A	\$36.12	
(h) Included w/Outer Water Pump Assy				
36 Tensioner, Drive Belt		BR3Z 6B209 E	\$65.09	#1.0
#Includes R&R Drive Belt				
37 Pump Assy, Inner Water				
2011-13		BR3Z 8501 D	\$56.80	
2014				
To 1-1-14		BR3Z 8501 D	\$56.80	

From 1-1-14	BR3Z 8501 E	\$50.53	
38 Gasket, Outer (i)			
2011	BR3Z 8507 B	\$14.60	
2012			
To 1-2-12	BR3Z 8507 B	\$14.60	
From 1-2-12	BR3Z 8507 K	\$7.58	
2013-14	BR3Z 8507 K	\$7.58	
39 Gasket, Inner (i)			
2011	BR3Z 8507 A	\$14.60	
2012			
To 1-2-12	BR3Z 8507 A	\$14.60	
(i) Included w/Inner Water Pump Assy			
40 Housing Assy, Thermostat	BL3Z 8A586 B	\$241.05	2.0
41 Connector, Water Outlet (j)	BR3Z 8592 Q		
42 Gskt, Thermostat (j)	BR3Z 8255 A	\$7.46	
43 Thermostat (j)	BL3Z 8575 A	\$25.26	.8
44 Gskt, Housing (j)	7T4Z 8590 A	\$11.06	
(j) Included w/Thermostat Housing Assy			

2011-14

2011-14 3.7L ENG



Refinish Lower Radiator Support

R&I Radiator

#Includes R&I Condenser/Drier

R&R Radiator Support Complete

#w/Upper Cover & Front Bumper Removed, Includes Raising Front of Cab Assy, Supporting & Realignment of Cab Assy, R&R Hood Latch, Upper Radiator Support, Lower Radiator Support, Horn, Upper Air Deflector, Side Air Deflectors, Disconnect & Connect Wiring & Release Cable as Necessary, w/Cab Removed Deduct 1.3

Add to R&R Radiator Support Complete

To R&I/R&R Base Model Mechanical Components

#Includes R&I/R&R Radiator Assy, Air Bag Sensor, Ambient

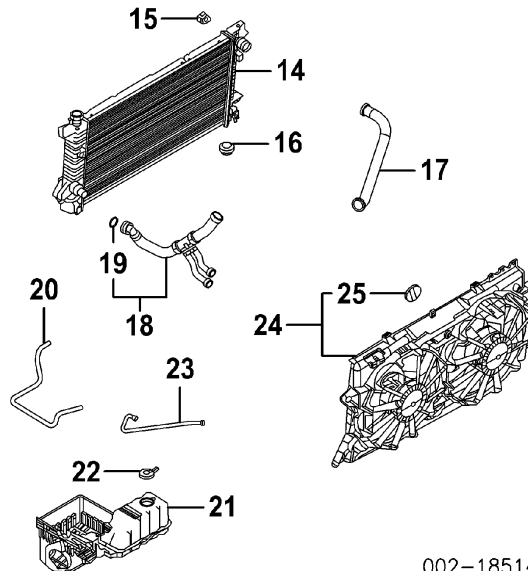
.8

#3.3

#5.7

#3.6

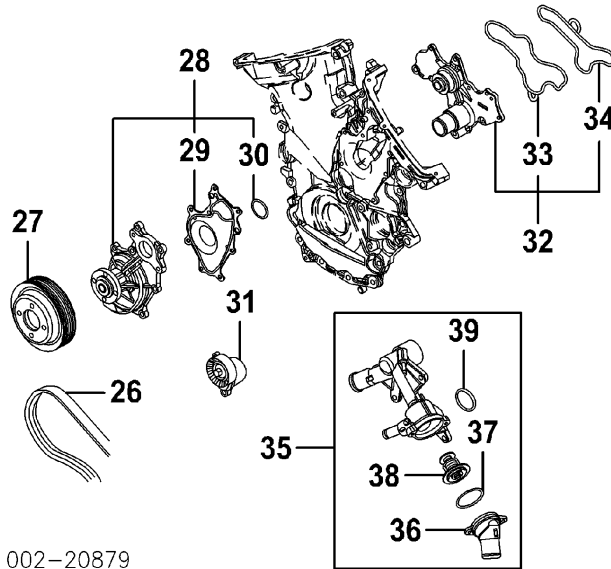
	Temp Sensor			
1	Support, Upper Rad (Mag) #w/Upper Cover & Front Bumper Removed, Includes R&I/R&R Upper Air Deflector, Side Air Deflectors, Horn, Hood Latch, Disconnect & Connect Wiring & Release Cable as Necessary	9L3Z 16138 B	\$372.62	#1.5
2	Support, Lower Rad (HSS) #w/Necessary Bolted Parts & Assemblies Removed, Includes Raising Front of Cab Assy, Supporting & Realignment of Cab Assy, w/Cab Removed Deduct 1.3	BL3Z 16139 B	\$177.37	#4.2
3	Rail, Side-See Front Fender Section			
4	Cushion, Upr Rad Supt-See Frame Section			
5	Cushion, Lwr Rad Supt-See Frame Section			
6	Seal, Front Hood	AL3Z 16A238 A	\$49.00	
7	Deflector, Upper Air	BL3Z 19E525 A	\$42.85	.2
8	Label, Rad Caution-See Information Labels Section			
9	Deflector Assy, Side Air	R AL3Z 8310 A L AL3Z 8311 A	\$31.52 \$22.65	.1 .1
10	Clip, Deflector (a)	R * W705589 S L * W705589 S	\$1.82 \$1.82	
	Included w/Side Air Deflector Assy			
	Rivet, Deflector (a)	R * W706350 S3000 L * W706350 S3000	\$2.15 \$2.15	
	(a) As Required			
11	Shield, Side	L BL3Z 9E944 A	\$20.40	
12	Deflector Assy, Lower Air Dearborn Plant Kansas City Plant	BL3Z 8327 A BL3Z 8327 B	\$60.93 \$60.68	.3 .3
13	Clip, Deflector (a) (b) (b) Included w/Lower Air Deflector Assy (a) As Required	* W713661 S300	\$3.48	



002-18514

14	Radiator Std Cooling	BL3Z 8005 A	\$406.31	#3.7
	Super Cooling	BL3Z 8005 B	\$444.29	#3.7
	#Includes R&R Condenser			

15 Insulator, Upper Mounting	R	7L1Z 8125 A	\$11.20	
	L	7L1Z 8125 A	\$11.20	
16 Insulator, Lower Mounting	R	7L1Z 8124 A	\$11.67	
	L	7L1Z 8124 A	\$11.67	
17 Hose, Upper Radiator		BL3Z 8260 A	\$51.24	#.8
18 Hose Assy, Lower Radiator				
Std Cooling		BL3Z 8286 B	\$42.00	#1.5
Super Cooling		BL3Z 8286 A	\$65.22	#1.5
		#R&R Both 2.0		
19 Seal, Hose (c)		BC3Z 8590 F	\$6.08	
		(c) Included w/Lower Radiator Hose Assy		
20 Hose, Overflow		BL3Z 8075 A	\$61.42	.3
21 Housing/Reservoir, Air Cleaner-See Air Cleaner Section				
22 Cap, Reservoir-See Air Cleaner Section				
23 Hose, Water		BL3Z 8276 A	\$20.84	
24 Module Assy, Cooling Fan		AL3Z 8C607 A	\$256.25	#1.7
		#Included in R&I/R&R Radiator		
25 Washer, Mounting (2) (d)		F75Z 8K653 AA	\$4.64	
		(d) Included w/Cooling Fan Module Assy		

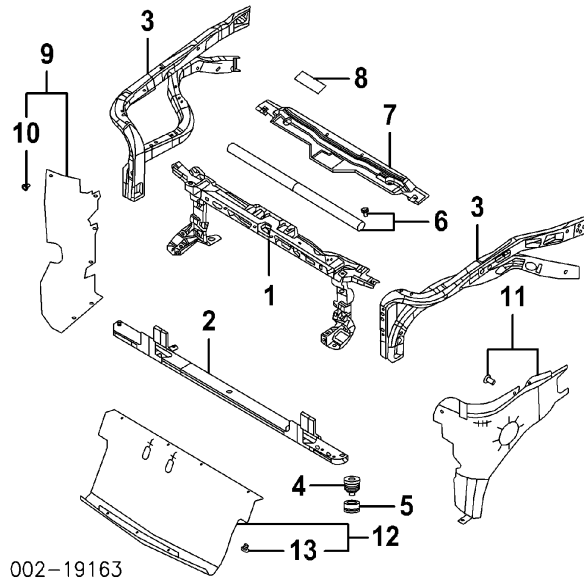


26 Belt, Drive		BL3Z 8620 C	\$39.11	.8
27 Pulley, Water Pump		BR3Z 8509 G	\$10.77	1.2
28 Pump Assy, Outer Water		BR3Z 8501 G	\$130.65	#2.6
		#Includes R&R Pulley		
29 Gskt, Water Pump (e)		BR3Z 8507 C	\$31.54	
30 Seal, Water Pump (e)		BR3Z 8527 A	\$36.12	
		(e) Included w/Outer Water Pump Assy		
31 Tensioner, Drive Belt		BR3Z 6B209 E	\$65.09	#1.0
		#Includes R&R Drive Belt		
32 Pump Assy, Inner Water				
2011-13		BR3Z 8501 D	\$56.80	
2014				
To 1-1-14		BR3Z 8501 D	\$56.80	

From 1-1-14	BR3Z 8501 E	\$50.53	
33 Gasket, Outer (f)			
2011	BR3Z 8507 B	\$14.60	
2012			
To 1-2-12	BR3Z 8507 B	\$14.60	
From 1-2-12	BR3Z 8507 K	\$7.58	
2013-14	BR3Z 8507 K	\$7.58	
34 Gasket, Inner (f)			
2011	BR3Z 8507 A	\$14.60	
2012			
To 1-2-12	BR3Z 8507 A	\$14.60	
(f) Included w/Inner Water Pump Assy			
35 Housing Assy, Thermostat	BL3Z 8A586 B	\$241.05	2.2
36 Connector, Water Outlet (g)	BR3Z 8592 Q		
37 Gskt, Thermostat (g)	BR3Z 8255 A	\$7.46	
38 Thermostat (g)	BL3Z 8575 A	\$25.26	1.0
39 Gskt, Housing (g)	7T4Z 8590 A	\$11.06	
(g) Included w/Thermostat Housing Assy			

2011-14

2011-14 5.0L ENG



Refinish Lower Radiator Support

R&I Radiator

#Includes R&I Condenser/Drier

R&R Radiator Support Complete

#w/Upper Cover & Front Bumper Removed, Includes Raising Front of Cab Assy, Supporting & Realignment of Cab Assy, R&R Hood Latch, Upper Radiator Support, Lower Radiator Support, Horn, Upper Air Deflector, Side Air Deflectors, Disconnect & Connect Wiring & Release Cable as Necessary, w/Cab Removed Deduct 1.3

Add to R&R Radiator Support Complete

To R&I/R&R Base Model Mechanical Components

#Includes R&I/R&R Radiator Assy, Air Bag Sensor, Ambient

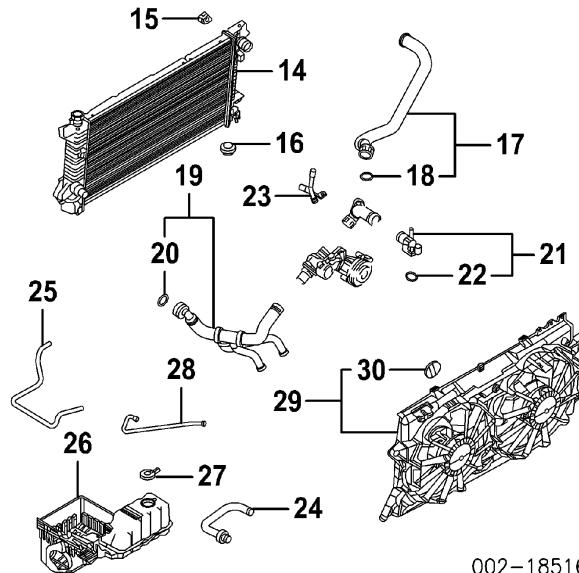
.8

#3.3

#5.7

#3.6

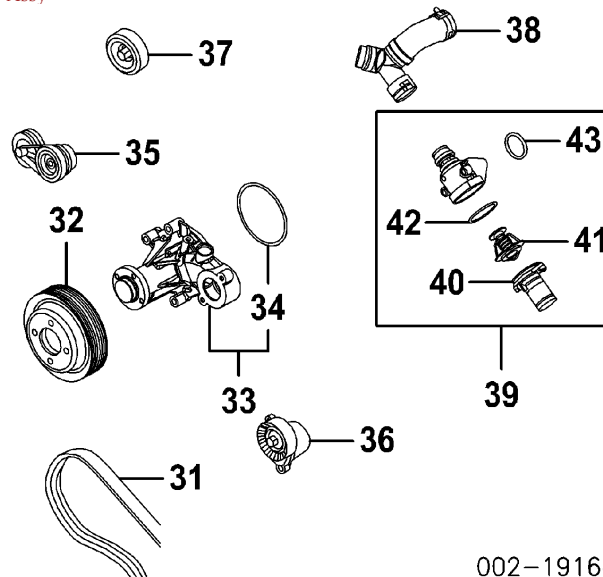
	Temp Sensor			
1	Support, Upper Rad (Mag) #w/Upper Cover & Front Bumper Removed, Includes R&I/R&R Upper Air Deflector, Side Air Deflectors, Horn, Hood Latch, Disconnect & Connect Wiring & Release Cable as Necessary	9L3Z 16138 B	\$372.62	#1.5
2	Support, Lower Rad (HSS) #w/Necessary Bolted Parts & Assemblies Removed, Includes Raising Front of Cab Assy, Supporting & Realignment of Cab Assy, w/Cab Removed Deduct 1.3	BL3Z 16139 B	\$177.37	#4.2
3	Rail, Side-See Front Fender Section			
4	Cushion, Upr Rad Supt-See Frame Section			
5	Cushion, Lwr Rad Supt-See Frame Section			
6	Seal, Front Hood	AL3Z 16A238 A	\$49.00	
7	Deflector, Upper Air	BL3Z 19E525 A	\$42.85	.2
8	Label, Rad Caution-See Information Labels Section			
9	Deflector Assy, Side Air	R AL3Z 8310 A L AL3Z 8311 A	\$31.52 \$22.65	.1 .1
10	Clip, Deflector (a) (g)	R * W705589 S L * W705589 S	\$1.82 \$1.82	
	(g) Included w/Side Air Deflector Assy			
	Rivet, Deflector (a)	R * W706350 S3000 L * W706350 S3000	\$2.15 \$2.15	
	(a) As Required			
11	Shield, Side	L BL3Z 9E944 A	\$20.40	
12	Deflector Assy, Lower Air Dearborn Plant Kansas City Plant	BL3Z 8327 A BL3Z 8327 B	\$60.93 \$60.68	.3 .3
13	Clip, Deflector (a) (h) (h) Included w/Lower Air Deflector Assy (a) As Required	* W713661 S300	\$3.48	



002-18516

14	Radiator Std Cooling Super Cooling	BL3Z 8005 A BL3Z 8005 B	\$406.31 \$444.29	#3.7 #3.7
	#Includes R&R Condenser			

15 Insulator, Upper Mounting	R	7L1Z 8125 A	\$11.20	
	L	7L1Z 8125 A	\$11.20	
16 Insulator, Lower Mounting	R	7L1Z 8124 A	\$11.67	
	L	7L1Z 8124 A	\$11.67	
17 Hose Assy, Upper Radiator		CL3Z 8260 A	\$43.51	#.8
18 Seal, Hose		BC3Z 8590 F	\$6.08	
<i>Included w/Upper Radiator Hose Assy</i>				
19 Hose Assy, Lower Radiator		BL3Z 8286 C	\$80.33	#1.5
<i>#R&R Both 2.0</i>				
20 Seal, Hose (b)		BC3Z 8590 F	\$6.08	
<i>(b) Included w/Lower Radiator Hose Assy</i>				
21 Outlet Assy, Water		BR3Z 8592 P	\$11.69	
22 Seal, Outlet (c)		BR3Z 8255 B	\$6.02	
<i>(c) Included w/Water Outlet Assy</i>				
23 Tube, Water		BR3Z 18663 A	\$20.70	
24 Hose, Reserve Tank		BL3Z 8C350 A	\$29.18	.4
25 Hose, Overflow		BL3Z 8075 A	\$61.42	
26 Housing/Reservoir, Air Cleaner-See Air Cleaner Section				
27 Cap, Reservoir-See Air Cleaner Section				
28 Hose, Water		BL3Z 8276 A	\$20.84	
29 Module Assy, Cooling Fan		AL3Z 8C607 A	\$256.25	#1.7
<i>#Included in R&I/R&R Radiator</i>				
30 Washer, Mounting (2) (d)		F75Z 8K653 AA	\$4.64	
<i>(d) Included w/Cooling Fan Module Assy</i>				

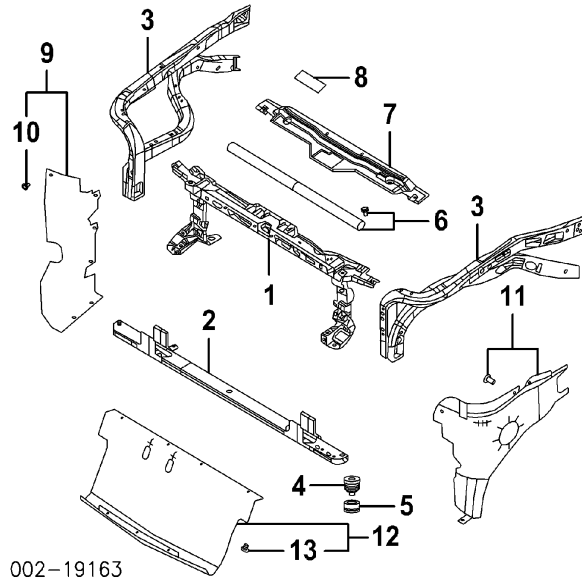


		002-19164		
31 Belt, Drive		BL3Z 8620 A	\$35.80	.8
32 Pulley, Water Pump	11-13	BR3Z 8509 A	\$20.13	1.0
	14	BR3Z 8509 HA	\$9.97	1.0
33 Pump Assy, Water	11-13	BR3Z 8501 H	\$143.47	#2.4
	14	BR3Z 8501 J	\$82.38	#2.4
<i>#Includes R&R Pulley</i>				
34 Gskt, Water Pump (f)		F1VY 8507 A	\$6.33	
<i>(f) Included w/Water Pump Assy</i>				
35 Tensioner, Upper Belt				

2011				
From 2-15-11		BL3Z 6A228 A	\$61.12	
2012-14		BL3Z 6A228 A	\$61.12	
36 Tensioner, Lower Belt		BR3Z 6B209 H	\$90.09	#1.0
#Includes R&R Drive Belt				
37 Pulley, Idler				
2011				
From 2-15-11		BL3Z 8678 A	\$25.75	
2012-13		BL3Z 8678 A	\$25.75	
2014		BL3Z 8678 B	\$11.69	
38 Connector, Water		DR3Z 8566 A	\$69.77	.9
39 Housing Assy, Thermostat		BL3Z 8A586 D	\$204.70	1.2
40 Housing, Inlet (e)		BR3Z 18599 A	\$22.58	
41 Thermostat (e)		BR3Z 8575 C	\$18.94	.8
42 Gskt, Thermostat (e)		BR3Z 8255 A	\$7.46	
43 Gskt, Housing (e)		7T4Z 8590 A	\$11.06	
(e) Included w/Thermostat Housing Assy				

2011-14

2011-14 6.2L ENG



Refinish Lower Radiator Support

.8

R&I Radiator

#3.3

#Includes R&I Condenser/Drier

R&R Radiator Support Complete

#5.7

#w/Upper Cover & Front Bumper Removed, Includes Raising Front of Cab Assy, Supporting & Realignment of Cab Assy, Hood Latch, Upper Radiator Support, Lower Radiator Support, Horn, Upper Air Deflector, Side Air Deflectors, Disconnect & Connect Wiring & Release Cable as Necessary, w/Cab Removed Deduct 1.3

Add to R&R Radiator Support Complete

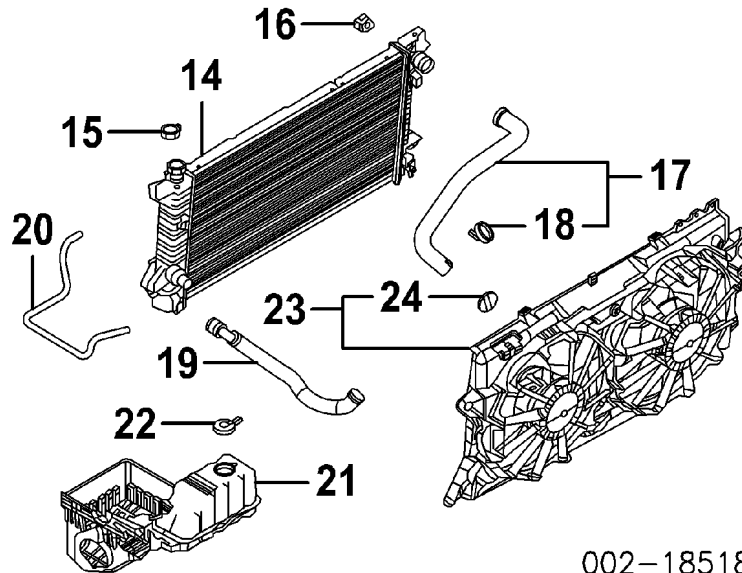
To R&I/R&R Base Model Mechanical

#3.6

Components

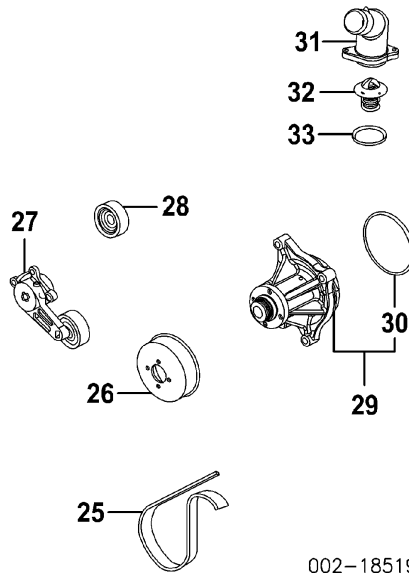
#Includes R&I/R&R Radiator Assy, Air Bag Sensor, Ambient Temp Sensor

1 Support, Upper Rad (Mag) #w/Upper Cover & Front Bumper Removed, Includes R&I/R&R Upper Air Deflector, Side Air Deflectors, Horn, Hood Latch, Disconnect & Connect Wiring & Release Cable as Necessary		9L3Z 16138 B	\$372.62	#1.5
2 Support, Lower Rad (HSS) #w/Necessary Bolted Parts & Assemblies Removed, Includes Raising Front of Cab Assy, Supporting & Realignment of Cab Assy, w/Cab Removed Deduct 1.3		BL3Z 16139 B	\$177.37	#4.2
3 Rail, Side-See Front Fender Section				
4 Cushion, Upr Rad Supt-See Frame Section				
5 Cushion, Lwr Rad Supt-See Frame Section				
6 Seal, Front Hood		AL3Z 16A238 A	\$49.00	
7 Deflector, Upper Air		BL3Z 19E525 B	\$43.30	.2
8 Label, Rad Caution-See Information Labels Section				
9 Deflector Assy, Side Air	R	AL3Z 8310 A	\$31.52	.1
	L	AL3Z 8311 A	\$22.65	.1
10 Clip, Deflector (a) (d)	R	* W705589 S	\$1.82	
	L	* W705589 S	\$1.82	
(d) Included w/Side Air Deflector Assy Rivet, Deflector (a)	R	* W706350 S3000	\$2.15	
	L	* W706350 S3000	\$2.15	
(a) As Required				
11 Shield, Side	L	BL3Z 9E944 A	\$20.40	.2
12 Deflector Assy, Lower Air Dearborn Plant		BL3Z 8327 A	\$60.93	.3
Kansas City Plant		BL3Z 8327 B	\$60.68	.3
13 Clip, Deflector (a) (e)		* W713661 S300	\$3.48	
(e) Included w/Lower Air Deflector Assy (a) As Required				



14 Radiator #Includes R&R Condenser		002-18518 BL3Z 8005 D	\$744.91	#3.7
15 Cap, Radiator		6L2Z 8100 AC	\$29.98	
16 Insulator, Upper Mounting	R	7L1Z 8125 A	\$11.20	

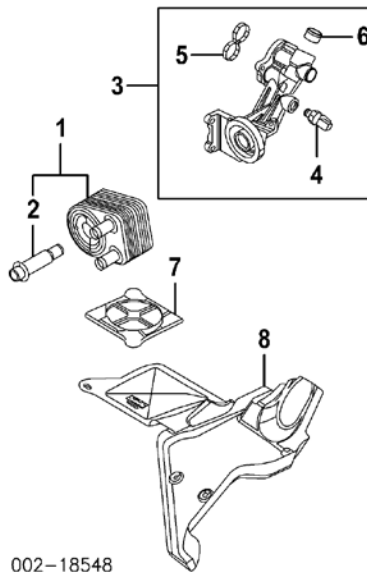
17 Hose Assy, Upper Radiator	L	7L1Z 8125 A	\$11.20	
18 Clip, Hose		AL3Z 8260 B	\$56.09	#1.0
		9L3Z 8W287 A	\$8.00	
<i>Included w/Upper Radiator Hose Assy</i>				
19 Hose, Lower Radiator		BL3Z 8286 D	\$90.24	#1.8
<i>#R&R Both 2.5</i>				
20 Hose, Overflow		9L3Z 8N029 A	\$15.49	
21 Housing/Reservoir, Air Cleaner-See Air Cleaner Section				
22 Cap, Reservoir-See Air Cleaner Section				
23 Module Assy, Cooling Fan				
w/Towing Pkg				
Load Leveling		BL3Z 8C607 A	\$359.09	#1.9
Non-Load Leveling		AL3Z 8C607 A	\$256.25	#1.9
w/o Towing Pkg				
		AL3Z 8C607 A	\$256.25	#1.9
<i>#Included in R&I/R&R Radiator</i>				
24 Washer, Mounting (2) (b)		F75Z 8K653 AA	\$4.64	
<i>(b) Included w/Cooling Fan Module Assy</i>				



25 Belt, Drive		002-18519		
26 Pulley, Water Pump		AL3Z 8620 B	\$39.24	.8
27 Tensioner, Drive Belt		AC3Z 8509 BA	\$21.63	1.1
		AL3Z 6B209 A	\$136.63	#1.0
<i>#Includes R&R Drive Belt</i>				
28 Pulley, Idler (2)		AL3Z 8678 A	\$31.91	
29 Pump Assy, Water		AL3Z 8501 A	\$145.50	#1.8
<i>#Includes R&R Pulley</i>				
30 Gskt, Water Pump (c)		F1VY 8507 A	\$6.33	
<i>(c) Included w/Water Pump Assy</i>				
31 Connector, Outlet		AL3Z 8592 A	\$14.56	
32 Thermostat		7L3Z 8575 D	\$13.72	
33 Gskt, Thermostat		F1VY 8255 A	\$9.70	

ENGINE OIL COOLER

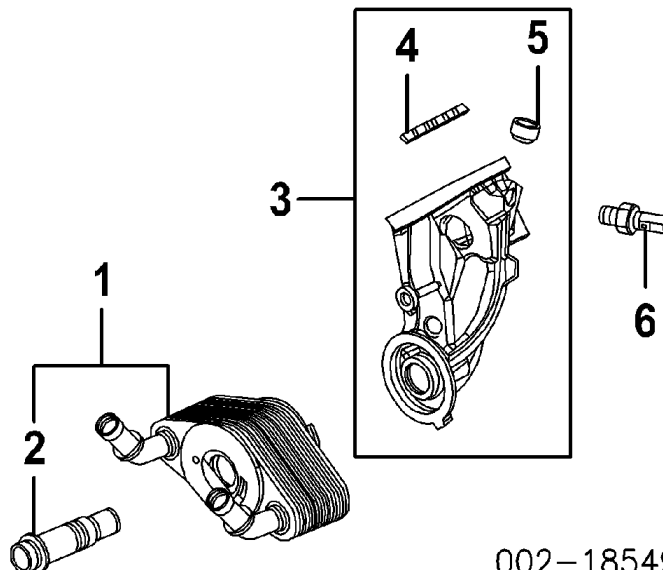
3.5L TURBO, 3.7L ENG



002-18548

1	Cooler Assy, Engine Oil	BL3Z 6A642 D	\$111.03	.9
2	Bolt, Adapter	AL3Z 6890 A	\$8.91	
	<i>Included w/Engine Oil Cooler Assy</i>			
3	Adapter Assy, Oil Cooler	BL3Z 6881 HA	\$136.38	#1.3
	<i>#Includes R&R Oil Cooler Assy</i>			
4	Switch, Oil Pressure (b)	6U5Z 9278 D	\$43.16	.5
5	Gasket, Adapter (b)	BR3Z 6840 A	\$3.78	
6	Plug, Housing (2) (b)	* W710975 S437	\$8.99	
	<i>(b) Included w/Oil Cooler Adapter Assy</i>			
	Cover, Engine Oil Cooler			
7	3.5L Turbo Eng	BL3Z 6C070 A	\$5.45	
8	3.7L Eng	BL3Z 6N634 B	\$15.83	

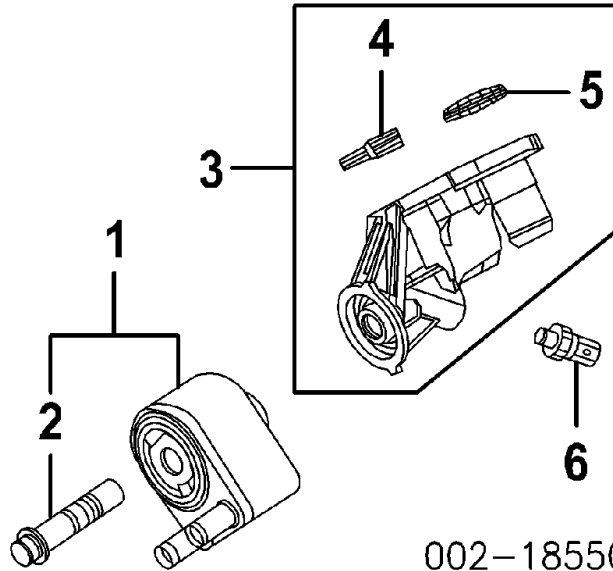
5.0L ENG



002-18549

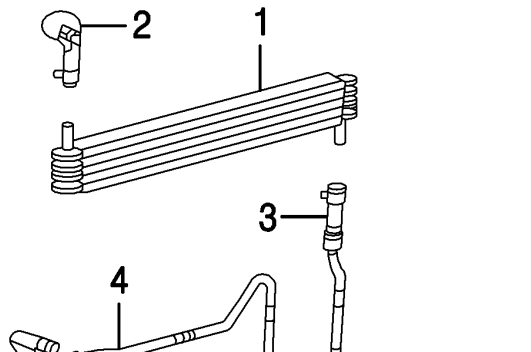
1 Cooler Assy, Engine Oil	BL3Z 6A642 E	\$126.03	.7
2 Bolt, Adapter <i>Included w/Engine Oil Cooler Assy</i>	2C2Z 6L626 AA	\$46.42	
3 Adapter Assy, Oil Cooler <i>#Includes R&R Oil Cooler Assy</i>	BL3Z 6881 JA	\$135.11	#1.0
4 Gasket, Adapter (b)	BL3Z 6840 B	\$4.55	
5 Plug, Housing (b) <i>(b) Included w/Oil Cooler Adapter Assy</i>	F5RZ 6026 H	\$3.77	
6 Switch, Oil Pressure	6U5Z 9278 D	\$43.16	.5

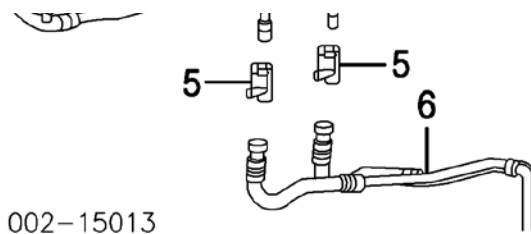
6.2L ENG



1 Cooler Assy, Engine Oil	002-18550		
2 Bolt, Adapter <i>Included w/Engine Oil Cooler Assy</i>	AL3Z 6A642 B	\$110.60	.9
3 Adapter Assy, Oil Cooler <i>#Includes R&R Oil Cooler Assy</i>	2L1Z 6L626 AA	\$31.55	
Gasket, Adapter (b)	AL3Z 6881 DA	\$142.58	#1.3
4 Front	AL3Z 6840 A	\$45.47	
5 Rear <i>(b) Included w/Oil Cooler Adapter Assy</i>	AL3Z 8255 A	\$8.84	
6 Switch, Oil Pressure	6U5Z 9278 D	\$43.16	.5

TRANS OIL COOLER





002-15013

1 Cooler, Trans Oil	DL3Z 7A095 A	\$52.67	1.0
2 Hose, Inlet	9L3Z 7C410 B	\$15.25	#.7
3 Hose, Outlet			
2009-10			
Std Duty Cooling	9L3Z 7B028 H	\$50.48	#.7
Hvy Duty Cooling	9L3Z 7B028 G	\$29.48	#.7
2011-14			
3.5L Turbo, 3.7L, 5.0L Eng	BL3Z 7B028 C	\$38.93	#.7
6.2L Eng	9L3Z 7B028 G	\$29.48	#.7
4 Hose, Return			
2009-10	9L3Z 7B028 F	\$46.42	#.7
2011-14			
3.5L Turbo, 3.7L, 5.0L Eng	BL3Z 7B028 A	\$49.98	#.7
6.2L Eng	9L3Z 7B028 F	\$46.42	#.7
#R&R Complete, w/Oil Cooler Removed Deduct .4			
5 Clamp, Hose (2)	9L8Z 7Z465 A	\$3.72	
6 Tube Set, Oil Cooler			
2009			
4 Speed Trans	9L3Z 7R081 B	\$161.57	1.2
6 Speed Trans	AL3Z 7R081 E	\$155.68	1.2
2010			
4 Speed Trans	AL3Z 7R081 D	\$154.37	1.2
6 Speed Trans	AL3Z 7R081 E	\$155.68	1.2
2011			
3.5L Turbo, 3.7L Eng	BL3Z 7R081 D	\$105.77	1.2
5.0L Eng	BL3Z 7R081 B	\$105.57	1.2
6.2L Eng	BL3Z 7R081 C	\$164.68	1.2
2012-14			
3.5L Turbo, 3.7L Eng	BL3Z 7R081 D	\$105.77	1.2
5.0L Eng	CL3Z 7R081 A	\$92.18	1.2
6.2L Eng	BL3Z 7R081 C	\$164.68	1.2

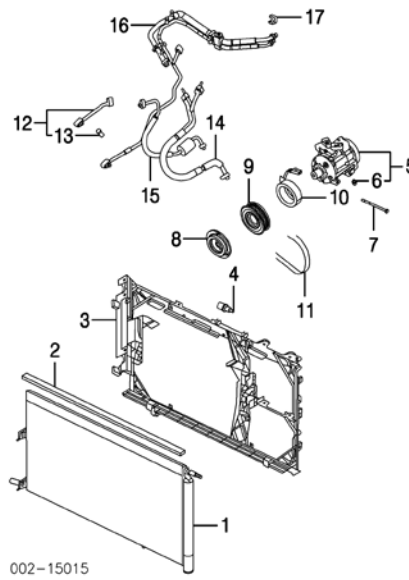
A/C REFRIGERANT CAPACITIES

A/C R-134a Refrigerant Capacity
24 Ozs (1.5 Lbs), 680 g

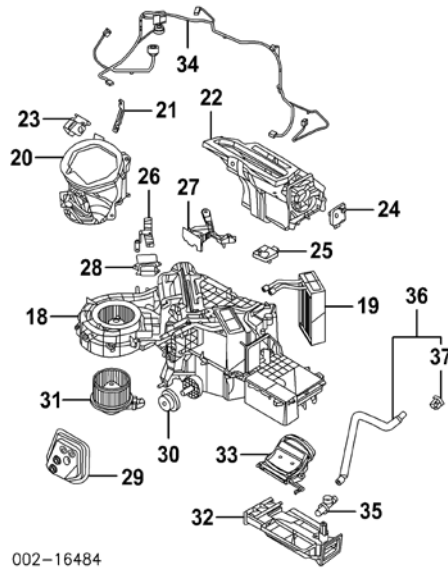
A/C /HEATER/VENTILATION

Use Procedure Explanation 6 with the following text.

2009-10



R&I Condenser/Drier				#2.0
<i>#Included in R&I/R&R Radiator</i>				
Evacuate & Recharge System				1.4
Recover Refrigerant				.3
1	Condenser/Drier	AL1Z 19712 A	\$296.63	#2.0
<i>#Included in R&I/R&R Radiator</i>				
2	Seal, Condenser	7L1Z 19E572 A	\$12.80	
3	Bracket, Condenser	AL3Z 19702 A	\$60.53	#.6
<i>#w/Condenser Removed</i>				
4	Sensor, Ambient Temp	AE5Z 12A647 A	\$45.40	.4
	Clip, Sensor	F1TZ 14A163 E	\$6.13	
5	Compressor Assy	9L3Z 19703 E	\$446.02	#1.4
<i>#w/4WD Add .4</i>				
6	Valve, Pressure	F65Z 19D644 AA	\$14.98	
<i>Included w/Compressor Assy</i>				
7	Bolt, Compressor (3)	* N806184 S437	\$3.21	
8	Clutch, Compressor	8L3Z 19D786 A	\$61.18	#.4
9	Pulley, Compressor	8G1Z 19D784 A	\$93.24	#.4
10	Coil, Compressor	8L3Z 19D798 B	\$61.05	#.4
<i>#R&R Complete, w/Compressor Assy Removed</i>				
11	Belt, Drive-See Cooling Section			
12	Tube Assy, Condenser	09 9L3Z 19E558 B	\$130.88	#1.3
		10 BL1Z 19E558 B	\$95.94	#1.3
<i>#w/Condenser Removed Deduct .9</i>				
13	Switch, Pressure (d)	6F9Z 19D594 AA	\$132.98	.6
<i>(d) Included w/Condenser Tube Assy</i>				
14	Hose, Compressor/Evap	9L3Z 19867 B	\$119.86	.8
15	Hose, Compressor/Cond	09 9L3Z 19972 C	\$132.48	#1.2
		10 AL3Z 19972 A	\$108.52	#1.2
<i>#w/Compressor Removed Deduct .8</i>				
16	Hose/Tube, Evaporator	AL3Z 19A834 A	\$151.06	1.8
17	Clip, Tube	9L3Z 19B632 A	\$4.10	



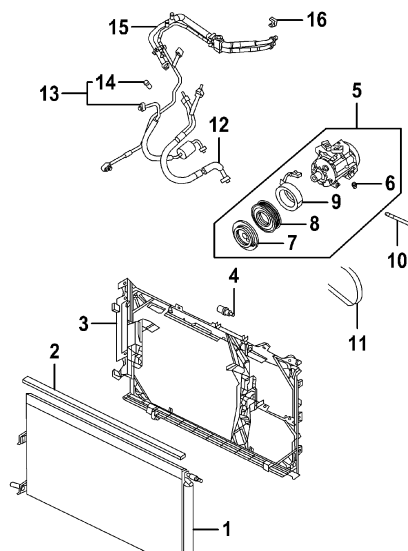
002-16484

18	A/C /Heater Assy				
	Man A/C				
	w/Flow Thru Console	AL3Z 19850 P	\$258.52	#1.8	
	w/o Flow Thru Console	AL3Z 19850 N	\$258.87	#1.8	
	Auto A/C				
	w/Flow Thru Console	AL3Z 19850 S	\$258.60	#1.8	
	w/o Flow Thru Console	AL3Z 19850 C	\$212.13	#1.8	
	<i>#w/Instrument Panel Removed</i>				
	Valve, Expansion (b)	9L3Z 19849 A	\$154.20		
	<i>(b) Included w/ A/C /Heater Assy</i>				
	Core, Evaporator-Serviced w/ A/C /Heater Assy				
19	Core, Heater	9L3Z 18476 A	\$99.08	#2.3	
20	Duct, Inlet	DL3Z 19A618 A	\$114.35	#1.9	
21	Bracket, Duct	F65Z 19A804 AA	\$12.88		
22	Chamber, Distribution				
	w/Flow Thru Console	BL3Z 18471 B	\$175.08	#2.0	
	w/o Flow Thru Console	BL3Z 18471 A	\$175.08	#2.0	
	<i>#w/Instrument Panel Removed</i>				
	Actuator, Door Control				
23	No. 1	AR3Z 19E616 D	\$39.80	.7	
24	No. 2				
	2009				
	To 12-1-08	AA5Z 19E616 A	\$33.16	1.1	
	From 12-1-08	8L8Z 19E616 C	\$47.96	1.1	
	2010	8L8Z 19E616 C	\$47.96	1.1	
25	No. 3				
	Man A/C	L AL3Z 19E616 A	\$37.88		
	Auto A/C, (2)	AL3Z 19E616 A	\$37.88		
26	Bracket, Mounting	7L1Z 19C897 A	\$13.08		
27	Retainer, Upper	BL3Z 18B689 A	\$3.62		
28	Control Unit				
	Man A/C	3F2Z 18591 AA	\$40.70	1.1	

Auto A/C Seal, Case	9L3Z 19E624 B	\$127.86	1.1
29 Upper	9L3Z 19C593 B	\$23.00	
30 Lower	7L1Z 19B739 A	\$21.62	
31 Motor, Blower Man A/C			
2009			
To 12-1-08	9L3Z 19805 C		.8
From 12-1-08	AL3Z 19805 A		.8
2010			
To 8-31-09	AL3Z 19805 A		.8
From 8-31-09	CL1Z 19805 A	\$130.31	.8
Auto A/C			
2009			
To 12-1-08	9L1Z 19805 C		.8
From 12-1-08	AL1Z 19805 A		.8
2010			
To 8-31-09	AL1Z 19805 A		.8
From 8-31-09	CL1Z 19805 A	\$130.31	.8
32 Duct, Outlet	9L3Z 18C433 A	\$35.20	
33 Connector, Duct w/Flow Thru Console	9L3Z 19D809 A	\$30.40	
34 Harness, A/C /Heater Man A/C	9L3Z 18B574 JAA	\$44.23	
Auto A/C	9L3Z 18B574 JBA	\$42.00	
35 Venturi Auto A/C	8L8Z 19E628 AA	\$10.50	
36 Sensor Assy, In-Car Auto A/C	9L1Z 19C734 A	\$32.92	.7
37 Sensor, In-Car (c) Auto A/C	9L1Z 19C734 B	\$20.54	.7

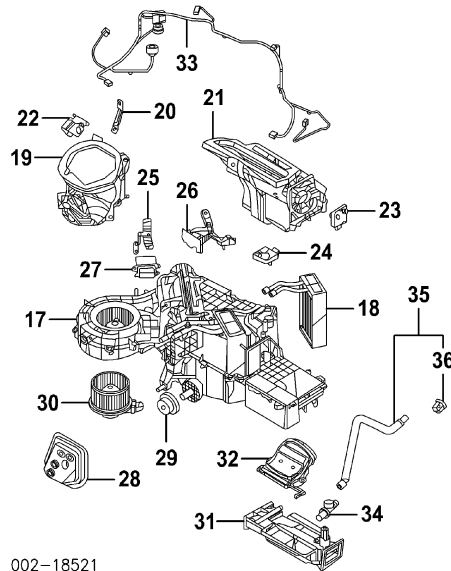
(c) Included w/In-Car Sensor Assy

2011-12



R&I Condenser/Drier			#2.0
#Included in R&I/R&R Radiator			
Evacuate & Recharge System			1.4
Recover Refrigerant			.3
1 Condenser/Drier			
3.5L Turbo, 3.7L, 5.0L Eng	BL3Z 19712 B	\$291.22	#2.0
6.2L Eng	AL1Z 19712 A	\$296.63	#2.0
#Included in R&I/R&R Radiator			
2 Seal, Condenser			
6.2L Eng	7L1Z 19E572 A	\$12.80	
3 Bracket, Condenser	AL3Z 19702 A	\$60.53	#.6
#w/Condenser Removed			
4 Sensor, Ambient Temp	AU5Z 12A647 B	\$12.24	.4
Clip, Sensor	F1TZ 14A163 E	\$6.13	
5 Compressor Assy			
3.5L Turbo, 3.7L Eng	BL3Z 19703 A	\$356.74	#1.4
5.0L Eng	BL3Z 19703 D	\$448.16	#1.4
6.2L Eng	BL3Z 19703 C	\$431.70	#1.4
#w/4WD Add .4			
6 Valve, Pressure			
3.5L Turbo, 3.7L, 5.0L Eng	8S4Z 19D644 AA	\$14.84	
6.2L Eng	F65Z 19D644 AA	\$14.98	
7 Clutch, Compressor			
3.5L Turbo, 3.7L, 5.0L Eng-Serviced			
w/Compressor Pulley			
6.2L Eng	8L2Z 19D786 A	\$57.93	#.4
8 Pulley, Compressor			
3.5L Turbo, 3.7L Eng	CL3Z 19D784 A	\$161.13	#.4
5.0L Eng	BL3Z 19D784 B	\$158.91	#.4
6.2L Eng	8L2Z 19D784 A	\$111.07	#.4
9 Coil, Compressor			
3.5L Turbo, 3.7L, 5.0L Eng-Serviced			
w/Compressor Pulley			
6.2L Eng	8L2Z 19D798 B	\$62.29	#.4
Included w/Compressor Assy			
#R&R Complete, w/Compressor Assy Removed			
10 Bolt, Compressor (3)			
3.5L Turbo, 3.7L, 5.0L Eng	* W704750 S437	\$7.50	
6.2L Eng	* N806184 S437	\$3.21	
11 Belt, Drive			
3.5L Turbo, 3.7L Eng	BR3Z 8620 F	\$15.02	
5.0L Eng	BR3Z 8620 A	\$24.11	
6.2L Eng-See Cooling Section			
12 Hose, Compressor/Evap			
3.5L Turbo, 3.7L Eng	BL3Z 19867 B	\$137.28	.8
5.0L Eng	CL3Z 19867 C	\$67.28	.8
6.2L Eng	BL3Z 19867 A	\$107.22	.8
13 Hose Assy, Compressor/Condenser			
3.5L Turbo, 3.7L Eng	BL3Z 19972 A	\$146.34	#1.2
5.0L Eng	BL3Z 19972 D	\$165.82	#1.2
6.2L Eng	AL3Z 19972 B	\$199.32	#1.2

	#w/Compressor Removed Deduct .8			
14	Switch, Pressure (d)	BT4Z 19D594 A	\$41.36	.5
	(d) Included w/Compressor/Condenser Hose Assy			
15	Hose/Tube, Evaporator	BL3Z 19A834 B	\$99.42	1.8
16	Clip, Tube	9L3Z 19B632 A	\$4.10	



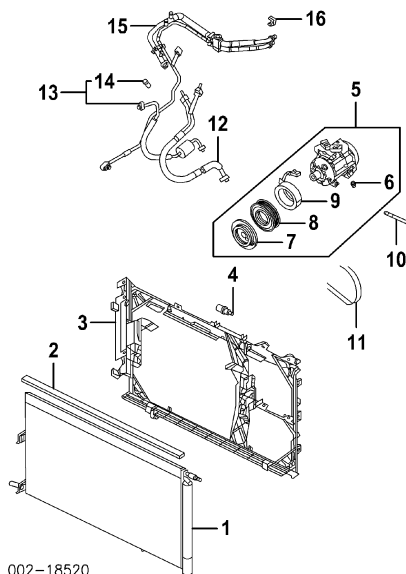
002-18521

17	A/C /Heater Assy			
	Man A/C			
	w/Flow Thru Console	CL3Z 19850 E	\$248.03	#1.8
	w/o Flow Thru Console	DL3Z 19850 A	\$314.33	#1.8
	Auto A/C			
	w/Flow Thru Console	DL3Z 19850 D	\$266.48	#1.8
	w/o Flow Thru Console			
	2011	BL3Z 19850 G	\$218.73	#1.8
	2012			
	To 1-23-12	BL3Z 19850 G	\$218.73	#1.8
	From 1-23-12	BL3Z 19850 L		#1.8
	#w/Instrument Panel Removed			
	Valve, Expansion (b)	9L3Z 19849 A	\$154.20	
	(b) Included w/ A/C /Heater Assy			
	Core, Evaporator-Serviced w/ A/C /Heater Assy			
18	Core, Heater	BL3Z 18476 A	\$101.16	#2.3
19	Duct, Inlet	DL3Z 19A618 A	\$114.35	#1.9
20	Bracket, Duct	F65Z 19A804 AA	\$12.88	
21	Chamber, Distribution			
	w/Flow Thru Console	BL3Z 18471 B	\$175.08	#2.0
	w/o Flow Thru Console	BL3Z 18471 A	\$175.08	#2.0
	#w/Instrument Panel Removed			
	Actuator, Door Control			
22	No. 1	AL8Z 19E616 F	\$31.46	.7
23	No. 2	8L8Z 19E616 C	\$47.96	1.1
24	No. 3			
	Man A/C	L AL3Z 19E616 A	\$37.88	
	Auto A/C, (2)	AL3Z 19E616 A	\$37.88	

25 Bracket, Mounting	7L1Z 19C897 A	\$13.08	
26 Retainer, Upper	BL3Z 18B689 A	\$3.62	
27 Control Unit			
Man A/C	3F2Z 18591 AA	\$40.70	1.1
Auto A/C	BL3Z 19E624 A	\$67.58	1.1
Seal, Case			
28 Upper	BL3Z 19C593 A	\$6.73	
29 Lower	BL3Z 19B739 A	\$2.37	
30 Motor, Blower	CL1Z 19805 A	\$130.31	.8
31 Duct, Outlet			
2011	9L3Z 18C433 A	\$35.20	
2012			
To 4-2-12	9L3Z 18C433 A	\$35.20	
From 4-2-12	BL3Z 18C433 A	\$17.65	
32 Connector, Duct			
w/Flow Thru Console	9L3Z 19D809 A	\$30.40	
33 Harness, A/C /Heater			
Man A/C	BL3Z 18B574 C	\$31.77	
Auto A/C	BL3Z 18B574 B	\$39.97	
34 Venturi			
Auto A/C	8L8Z 19E628 AA	\$10.50	
35 Sensor Assy, In-Car			
Auto A/C	BL3Z 19C734 B	\$61.60	.7
36 Sensor, In-Car (c)			
Auto A/C	AM6Z 19C734 C	\$57.82	.7

(c) Included w/In-Car Sensor Assy

2013-14



002-18520

R&I Condenser/Drier

#Included in R&I/R&R Radiator

Evacuate & Recharge System

Recover Refrigerant

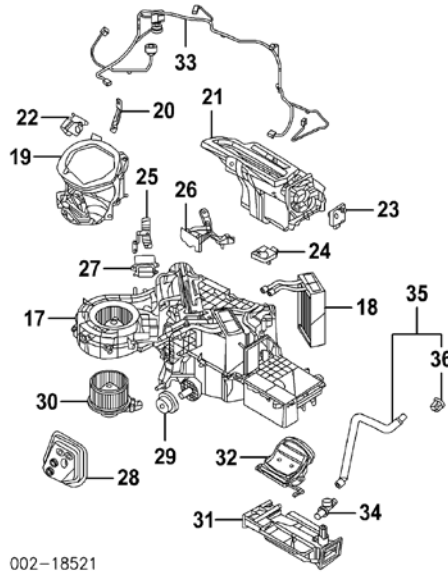
1 Condenser/Drier

#2.0

1.4

.3

3.5L Turbo, 3.7L, 5.0L Eng		BL3Z 19712 B	\$291.22	#2.0
6.2L Eng		AL1Z 19712 A	\$296.63	#2.0
#Included in R&I/R&R Radiator				
2 Seal, Condenser				
6.2L Eng		7L1Z 19E572 A	\$12.80	
3 Bracket, Condenser		AL3Z 19702 A	\$60.53	#.6
#w/Condenser Removed				
4 Sensor, Ambient Temp		AU5Z 12A647 B	\$12.24	.4
Clip, Retaining		F1TZ 14A163 E	\$6.13	
5 Compressor Assy				
3.5L Turbo, 3.7L Eng		BL3Z 19703 A	\$356.74	#1.4
5.0L Eng	13	BL3Z 19703 D	\$448.16	#1.4
	14	EL3Z 19703 C	\$334.50	#1.4
6.2L Eng		BL3Z 19703 C	\$431.70	#1.4
#w/4WD Add .4				
6 Valve, Pressure				
3.5L Turbo, 3.7L, 5.0L Eng		8S4Z 19D644 AA	\$14.84	
6.2L Eng		F65Z 19D644 AA	\$14.98	
7 Clutch, Compressor				
3.5L Turbo, 3.7L, 5.0L Eng-Serviced				
w/Compressor Pulley				
6.2L Eng		8L2Z 19D786 A	\$57.93	#.4
8 Pulley, Compressor				
3.5L Turbo, 3.7L Eng		CL3Z 19D784 A	\$161.13	#.4
5.0L Eng		BL3Z 19D784 B	\$158.91	#.4
6.2L Eng		8L2Z 19D784 A	\$111.07	#.4
9 Coil, Compressor				
3.5L Turbo, 3.7L, 5.0L Eng-Serviced				
w/Compressor Pulley				
6.2L Eng		8L2Z 19D798 B	\$62.29	#.4
Included w/Compressor Assy				
#R&R Complete, w/Compressor Assy Removed				
10 Bolt, Compressor (3)				
3.5L Turbo, 3.7L, 5.0L Eng		* W704750 S437	\$7.50	
6.2L Eng		* N806184 S437	\$3.21	
11 Belt, Drive				
3.5L Turbo, 3.7L Eng		BR3Z 8620 F	\$15.02	
5.0L Eng		BR3Z 8620 A	\$24.11	
6.2L Eng-See Cooling Section				
12 Hose, Compressor/Evap				
3.5L Turbo, 3.7L Eng		BL3Z 19867 B	\$137.28	.8
5.0L Eng		CL3Z 19867 C	\$67.28	.8
6.2L Eng		BL3Z 19867 A	\$107.22	.8
13 Hose Assy, Compressor/Condenser				
3.5L Turbo, 3.7L Eng		BL3Z 19972 A	\$146.34	#1.2
5.0L Eng		BL3Z 19972 D	\$165.82	#1.2
6.2L Eng		AL3Z 19972 B	\$199.32	#1.2
#w/Compressor Removed Deduct .8				
14 Switch, Pressure (b)		BT4Z 19D594 A	\$41.36	.5
(b) Included w/Compressor/Condenser Hose Assy				
15 Hose/Tube, Evaporator	13	BL3Z 19A834 B	\$99.42	1.8
	14	DL3Z 19A834 A	\$82.68	1.8



002-18521

17 A/C /Heater Assy				
Man A/C	DL3Z 19850 A	\$314.33	#1.8	
Auto A/C				
w/Flow Thru Console				
w/MyFord Touch	DL3Z 19850 D	\$266.48	#1.8	
w/o MyFord Touch				
2013				
To 11-19-12	DL3Z 19850 B	\$255.50	#1.8	
From 11-19-12	DL3Z 19850 C	\$255.48	#1.8	
2014	DL3Z 19850 C	\$255.48	#1.8	
w/o Flow Thru Console				
w/MyFord Touch				
2013				
To 11-19-12	CL3Z 19850 C	\$256.65	#1.8	
From 11-19-12	DL3Z 19850 G	\$256.65	#1.8	
2014	DL3Z 19850 G	\$256.65	#1.8	
w/o MyFord Touch	DL3Z 19850 F	\$256.62	#1.8	
#w/Instrument Panel Removed				
Valve, Expansion (c)	9L3Z 19849 A	\$154.20		
(c) Included w/ A/C /Heater Assy				
Core, Evaporator-Serviced w/ A/C /Heater Assy				
18 Core, Heater	BL3Z 18476 A	\$101.16	#2.3	
19 Duct, Inlet	DL3Z 19A618 A	\$114.35	#1.9	
20 Bracket, Duct	F65Z 19A804 AA	\$12.88		
21 Chamber, Distribution				
w/Flow Thru Console	BL3Z 18471 B	\$175.08	#2.0	
w/o Flow Thru Console	BL3Z 18471 A	\$175.08	#2.0	
#w/Instrument Panel Removed				
Actuator, Door Control				
22 No. 1	AL8Z 19E616 F	\$31.46	.7	
23 No. 2	8L8Z 19E616 C	\$47.96	1.1	

24	No. 3				
	Man A/C				
	2013				
	To 11-19-12	AL8Z 19E616 A	\$45.66	1.1	
	From 11-19-12	DL3Z 19E616 A	\$12.46	1.1	
	2014	DL3Z 19E616 A	\$12.46	1.1	
	Auto A/C, (2)				
	2013				
	To 11-19-12	AL8Z 19E616 A	\$45.66	1.1	
	From 11-19-12	DL3Z 19E616 A	\$12.46	1.1	
	2014	DL3Z 19E616 A	\$12.46	1.1	
25	Bracket, Mounting	7L1Z 19C897 A	\$13.08		
26	Retainer, Upper	BL3Z 18B689 A	\$3.62		
27	Control Unit				
	Man A/C	3F2Z 18591 AA	\$40.70	1.1	
	Auto A/C	BL3Z 19E624 A	\$67.58	1.1	
	Seal, Case				
28	Upper	BL3Z 19C593 A	\$6.73		
29	Lower	BL3Z 19B739 A	\$2.37		
30	Motor, Blower	CL1Z 19805 A	\$130.31	.8	
31	Duct, Outlet	BL3Z 18C433 A	\$17.65		
32	Connector, Duct				
	w/Flow Thru Console	9L3Z 19D809 A	\$30.40		
33	Harness, A/C /Heater				
	Man A/C	BL3Z 18B574 C	\$31.77		
	Auto A/C	BL3Z 18B574 B	\$39.97		
34	Venturi				
	Auto A/C	8L8Z 19E628 AA	\$10.50		
35	Sensor Assy, In-Car				
	Auto A/C	BL3Z 19C734 B	\$61.60	.7	
36	Sensor, In-Car (d)				
	Auto A/C	AM6Z 19C734 C	\$57.82	.7	

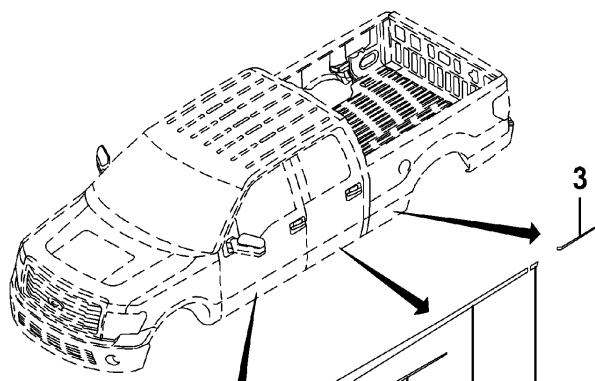
(d) Included w/In-Car Sensor Assy

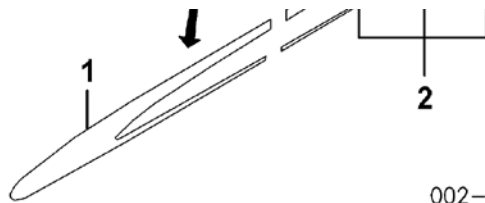
STRIPE TAPE

HARLEY-DAVIDSON MODEL

HARLEY-DAVIDSON MODEL

2010





1 Stripe, Front Door

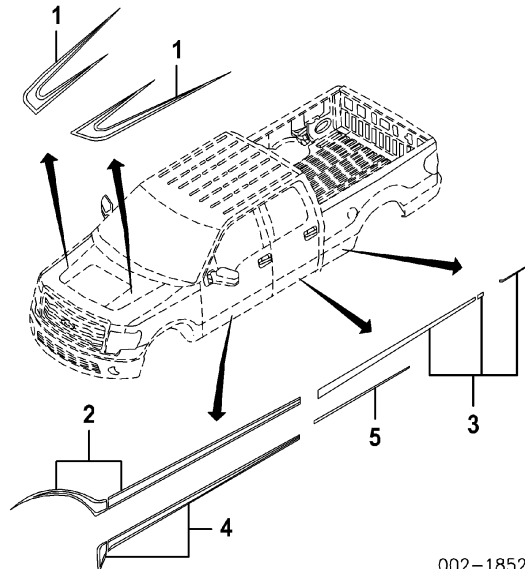
2 Stripe Kit, Rear Door

3 Stripe, Bed Side

		002-17634		
R	AL3Z 1620000 AA	\$283.72	#.4	
L	AL3Z 1620001 AA	\$283.72	#.4	
R	AL3Z 16255A66 AA	\$260.60	#.4	
L	AL3Z 16255A67 AA	\$260.60	#.4	
R	AL3Z 99290D12 AA	\$55.07	#.2	
L	AL3Z 99290D13 AA	\$55.07	#.2	

#Labor Time is for Installation Only

**HARLEY-DAVIDSON MODEL
HARLEY-DAVIDSON MODEL
2011**



Install Stripe Kit Complete

Install Fender Stripe

Upper

Lower

Install Front Door Stripe

Upper

Lower

Install Rear Door Stripe

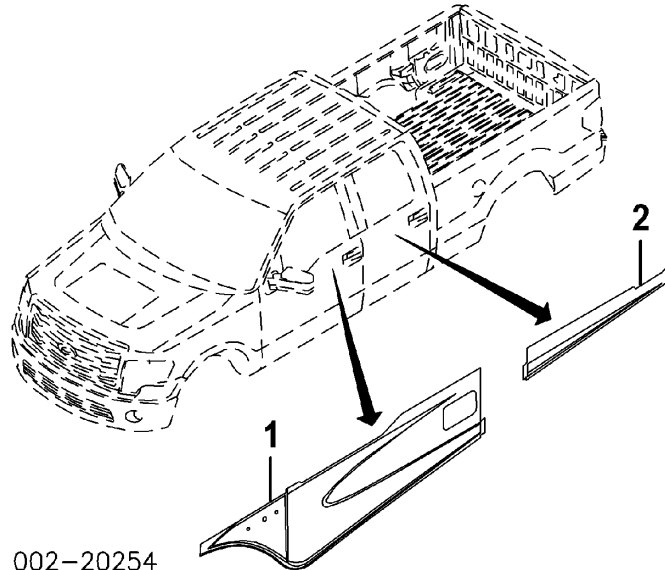
Upper

		002-18522		
R			1.2	
L			1.2	
R			.3	
L			.3	
R			.2	
L			.2	
R			.3	
L			.3	
R			.3	
L			.3	
R			.3	
L			.3	

Lower	R			.2
	L			.2
Install Cab Corner Stripe	R			.2
	L			.2
Install Bed Side Panel Stripe	R			.2
	L			.2
<i>NOTE: Labor times are for installation only.</i>				
1 Stripe, Hood	R	BL3Z 9920000 BA	\$232.33	#.3
	L	BL3Z 9920001 BA	\$232.33	#.3
<i>#Labor Time is for Installation Only</i>				
Stripe Kit, Side Upper				
2 Front	R	BL3Z 1620000 AA	\$433.72	#
	L	BL3Z 1620001 AA	\$433.72	#
3 Rear	R	BL3Z 1620000 CA	\$95.18	#
	L	BL3Z 1620001 CA	\$95.18	#
Stripe Kit, Side Lower				
4 Front	R	BL3Z 1620000 BA	\$226.23	#
	L	BL3Z 1620001 BA	\$226.23	#
5 Rear	R	BL3Z 1620000 DA	\$108.13	#
	L	BL3Z 1620001 DA	\$108.13	#

#See Headnotes for Labor Time

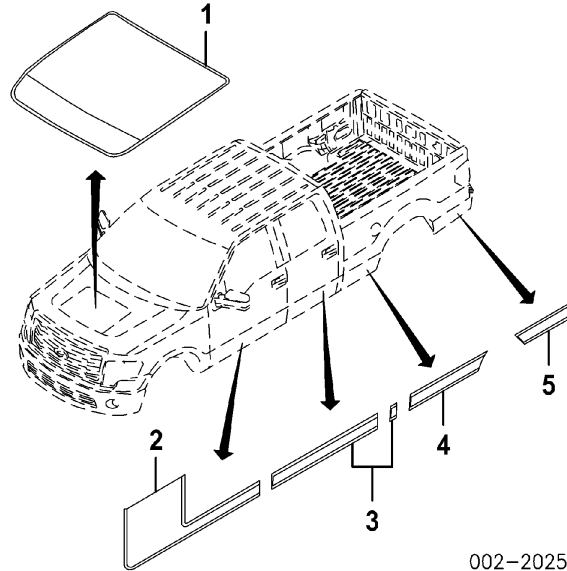
**HARLEY-DAVIDSON MODEL
HARLEY-DAVIDSON MODEL
2012**



Install Fender Stripe	R			.3
	L			.3
Install Front Door Stripe	R			.5
	L			.5
1 Stripe, Front Door Gray	R	CL3Z 1620000 AB	\$626.65	#
	L	CL3Z 1620001 AB	\$626.65	#

Silver	R	CL3Z 1620000 AC	\$626.65	#
	L	CL3Z 1620001 AC	\$626.65	#
#See Headnotes for Labor Time				
2 Stripe, Rear Door				
Gray	R	CL3Z 16255A36 AB	\$165.95	.3
	L	CL3Z 16255A37 AB	\$165.95	.3
Silver	R	CL3Z 16255A36 AC	\$165.95	.3
	L	CL3Z 16255A37 AC	\$165.95	.3

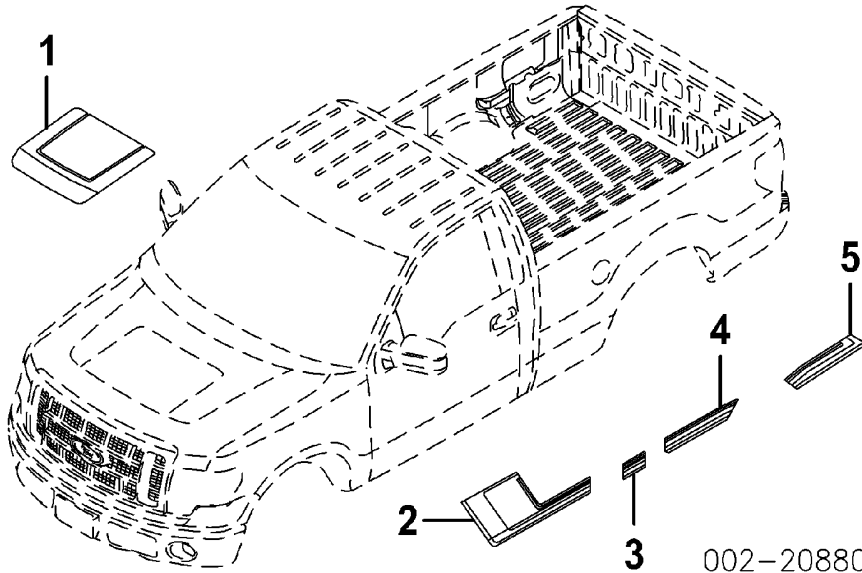
**FX2, FX4 MODEL
FX2, FX4 MODEL FX
APPEARANCE PKG 2012-14**



			002-20255	
1 Decal, Hood	13		DL3Z 6320000 AA	\$457.03 .5
	14		EL3Z 6320000 AA	\$601.57 .5
2 Stripe, Front Door	12-13	R	CL3Z 1620000 AA	\$382.12 .5
		L	CL3Z 1620001 AA	\$382.12 .5
	14	R	EL3Z 1620000 AA	\$515.93 .5
		L	EL3Z 1620001 AA	\$351.88 .5
3 Stripe Kit, Rear Door				
Extended Cab	12-13	R	CL3Z 18255A36 AA	\$110.58 .4
		L	CL3Z 18255A37 AA	\$110.58 .4
	14	R	EL3Z 18255A36 AA	\$186.45 .4
		L	EL3Z 18255A37 AA	\$186.45 .4
Crew Cab	12-13	R	CL3Z 16255A36 AA	\$141.37 .4
		L	CL3Z 16255A37 AA	\$141.37 .4
	14	R	EL3Z 16255A36 AA	\$164.92 .4
		L	EL3Z 16255A37 AA	\$164.92 .4
Stripe, Bed Side				
4 Front				
6 Foot Bed	12-13	R	CL3Z 99290D12 AB	\$97.25 .4
		L	CL3Z 99290D13 AB	\$33.63 .4
	14	R	EL3Z 99290D12 AB	\$116.22 .4

		L	EL3Z 99290D13 AB	\$116.22	.4
7 Foot Bed	12-13	R	CL3Z 99290D12 BA	\$111.65	.4
		L	CL3Z 99290D13 BA	\$111.65	.4
	14	R	EL3Z 99290D12 BA	\$186.78	.4
		L	EL3Z 99290D13 BA	\$124.88	.4
5 Rear	12-13	R	CL3Z 99290D12 AA	\$52.47	.4
		L	CL3Z 99290D13 AA	\$52.47	.4
	14	R	EL3Z 99290D12 AA	\$63.67	.4
		L	EL3Z 99290D13 AA	\$58.45	.4

TREMOR MODEL

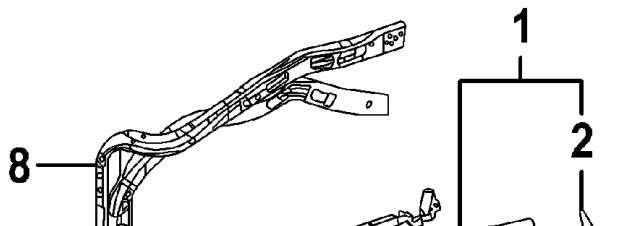


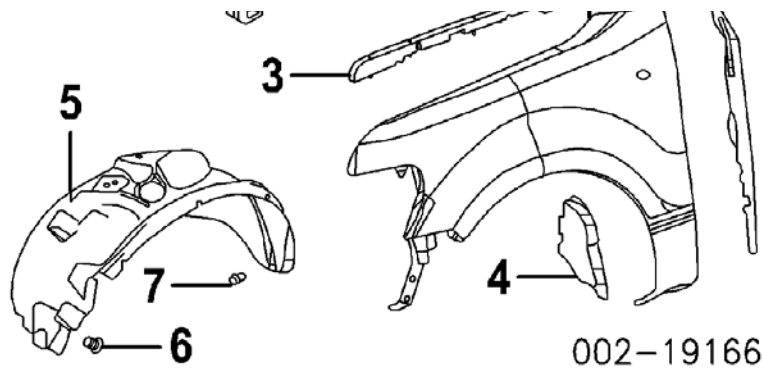
1 Decal, Hood			EL3Z 6320000 AA	\$601.57	.5
2 Stripe, Door		R	EL3Z 1620000 AA	\$515.93	.5
		L	EL3Z 1620001 AA	\$351.88	.5
3 Stripe, Cab Side		R	EL3Z 15255A36 AA		.3
		L	EL3Z 15255A37 AA		.3
4 Stripe, Front Bed Panel		R	EL3Z 99290D12 BA	\$186.78	.3
		L	EL3Z 99290D13 BA	\$124.88	.3
5 Stripe, Rear Bed Panel		R	EL3Z 99290D12 AA	\$63.67	.3
		L	EL3Z 99290D13 AA	\$58.45	.3

FRONT FENDER

Use Procedure Explanations 7 and 28 with the following text.

SHEET METAL



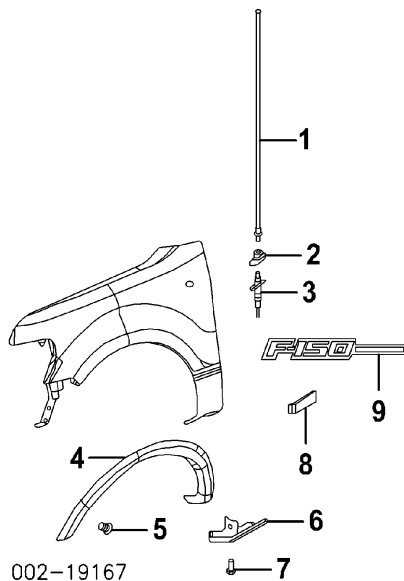


Refinish Fender Outside	R			2.2
	L			2.2
Add to Edge	R			.5
	L			.5
Add for 2 Tone	R			1.0
	L			1.0
Refinish Side Rail Complete	R			1.5
	L			1.5
	R			1.0
	L			1.0
Refinish Upper Panel	R			.5
	L			.5
Refinish Lower Panel	R			.5
	L			.5
R&I Fender				
w/Wheel Opening Mldgs	R			#2.4
	L			#1.8
w/o Wheel Opening Mldgs	R			#2.2
	L			#1.6
<small>#Includes R&I/R&R Fender Liner & Combination Lamp Assy, Right Side Includes R&I/R&R Antenna Base</small>				
<small>NOTE: Manufacturer advises foam fillers have been utilized within panels in this section. Refer to vehicle body/service repair manuals for recommended replacement and safety precautions.</small>				
1 Fender Assy (HSS)				
w/Wheel Opening Mldgs	R	CL3Z 16005 B	\$360.08	#2.8
	L	BL3Z 16006 B	\$286.10	#2.2
w/o Wheel Opening Mldgs	R	CL3Z 16005 A	\$360.08	#2.6
	L	BL3Z 16006 A	\$273.23	#1.8
<small>#Includes R&I/R&R Fender Liner & Combination Lamp Assy, Right Side Includes R&I/R&R Antenna Base</small>				
2 Insulator, Rear	R	9L3Z 16E132 A	\$30.00	
	L	9L3Z 16E133 B	\$29.97	
<small>Included w/Fender Assy</small>				
3 Insulator, Upper				
3.5L Turbo Eng	11-12	R BL3Z 16738 B	\$77.62	
		L BL3Z 16739 B	\$77.62	
4 Pad, Insulator	R	9L3Z 16071 A	\$26.23	
	L	9L3Z 16071 A	\$26.23	
5 Liner, Fender				
2009-10	R	9L3Z 16102 A	\$76.53	.4

2011	L	9L3Z 16103 A	\$76.85	.4
To 1-3-11	R	9L3Z 16102 A	\$76.53	.4
	L	9L3Z 16103 A	\$76.85	.4
From 1-3-11				
3.5L Turbo Eng	R	BL3Z 16102 C	\$153.07	.4
	L	AL3Z 16103 C	\$154.55	.4
3.7L, 5.0L, 6.2L Eng	R	9L3Z 16102 A	\$76.53	.4
	L	9L3Z 16103 A	\$76.85	.4
2012-14				
3.5L Turbo Eng	R	BL3Z 16102 C	\$153.07	.4
	L	AL3Z 16103 C	\$154.55	.4
3.7L, 5.0L, 6.2L Eng	R	9L3Z 16102 A	\$76.53	.4
	L	9L3Z 16103 A	\$76.85	.4
6 Clip, Liner (a)				
Type 1	R	* W705589 S	\$1.82	
	L	* W705589 S	\$1.82	
Type 2	R	* W709371 S300	\$1.07	
	L	* W709371 S300	\$1.07	
7 Screw, Liner (a)	R	* W705392 S307	\$1.07	
	L	* W705392 S307	\$1.07	
(a) As Required				
8 Rail, Side (HSS)	R	BL3Z 16C274 A	\$312.12	#6.5
	L	BL3Z 16C275 A	\$310.62	#6.5

#w/Necessary Sheet Metal & Bolted Parts Removed, w/Lower Radiator Support Removed Deduct 1.5

EXTERIOR TRIM



Refinish Wheel Opening Moulding

R 1.0

R&I Antenna Base

L 1.0

#Includes R&I/R&R Right Fender Liner & Antenna Mast

R #1.0

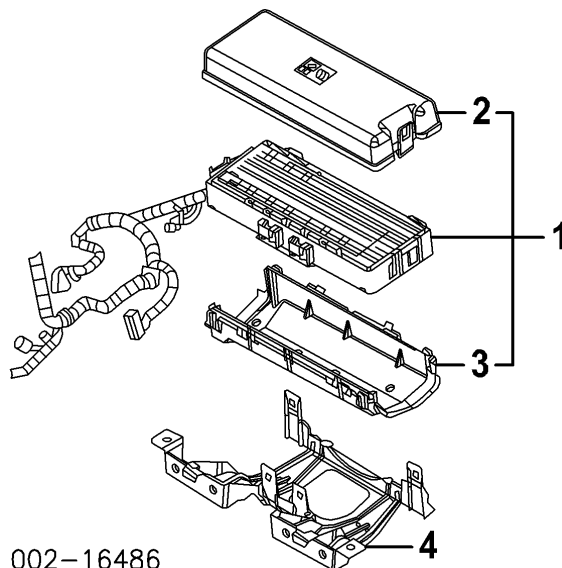
R&I Wheel Opening Moulding

R .4

		L							.4
1 Mast, Antenna		R		AL3Z 18813 A			\$27.57		.1
2 Cap, Antenna (n)		R		9L3Z 18A927 A			\$6.57		
				(n) Non-Reusable Part					
3 Antenna, Radio		R		CL3Z 18A984 B			\$35.09		#1.0
				#Includes R&I/R&R Right Fender Liner & Antenna Mast					
4 Mldg, Wheel Opening									
Textured		R		9L3Z 16038 B			\$108.23		.4
		L		9L3Z 16039 B			\$107.63		.4
Paint to Match		R		9L3Z 16038 APTM			\$188.38		.4
		L		9L3Z 16039 APTM			\$188.38		.4
5 Clip, Moulding (a)		R		* W705589 S			\$1.82		
		L		* W705589 S			\$1.82		
				(a) As Required					
6 Shield, Stone									
Black		R		5L3Z 16G554 AAA			\$21.48		.1
		L		5L3Z 16G555 AAA			\$22.92		.1
Pale Adobe	11-14	R		BL3Z 16G554 AA			\$6.20		.1
		L		BL3Z 16G555 AA			\$6.20		.1
Pueblo Gold	09-10	R		7L3Z 16G554 AA			\$19.53		.1
		L		7L3Z 16G555 AA			\$19.53		.1
7 Clip, Shield									
Type 1		R		* W709346 S300			\$1.07		
		L		* W709346 S300			\$1.07		
Type 2 (a)		R		* W705589 S			\$1.82		
		L		* W705589 S			\$1.82		
				(a) As Required					
8 Moulding, Fender									
Platinum Model		R		9L3Z 1616160 A			\$63.68		.2
		L		9L3Z 1616161 A			\$63.68		.2
9 Nameplate (Adhesive)									
"F-150 XL"		R		9L3Z 16720 B			\$49.87		.2
		L		9L3Z 16720 BB			\$49.87		.2
"F-150 STX"		R		9L3Z 16720 A			\$49.87		.2
		L		9L3Z 16720 AB			\$49.87		.2
"F-150 XLT"		R		9L3Z 16720 C			\$49.87		.2
		L		9L3Z 16720 CB			\$49.87		.2
"F-150 FX2"									
w/FX Appearance Pkg	12-14	R		CL3Z 16720 C			\$62.27		.2
		L		CL3Z 16720 A			\$62.27		.2
w/o FX Appearance Pkg		R		AL3Z 16720 E			\$50.57		.2
		L		AL3Z 16720 F			\$50.57		.2
"F-150 FX4"									
w/FX Appearance Pkg	12-14	R		CL3Z 16720 B			\$62.27		.2
		L		CL3Z 16720 D			\$62.27		.2
w/o FX Appearance Pkg		R		9L3Z 16720 D			\$53.77		.2
		L		9L3Z 16720 DB			\$53.77		.2
"F-150 LARIAT"		R		9L3Z 16720 G			\$53.77		.2
		L		9L3Z 16720 GB			\$53.77		.2
"F-150 PLATINUM"		R		9L3Z 16720 H			\$53.77		.2
		L		9L3Z 16720 HB			\$55.27		.2

"KING RANCH F-150"	09-13	R	9L3Z 16720 J	\$104.28	.2
		L	9L3Z 16720 JB	\$104.28	.2
	14	R	BL3Z 16720 C	\$98.97	.2
		L	BL3Z 16720 D	\$98.97	.2
"HARLEY-DAVIDSON F-150"	10	R	AL3Z 16720 A	\$234.35	.2
		L	AL3Z 16720 B	\$224.10	.2
	11-12	R	BL3Z 16720 A	\$236.40	.2
		L	BL3Z 16720 B	\$236.40	.2

ELECTRICAL COMPONENTS



002-16486

1 Harness Assy, Engine Compartment (a)

2009-10

2WD

w/Fog Lamps

AL3Z 12A581 DA

\$969.53

w/o Fog Lamps

AL3Z 12A581 LA

\$969.80

4WD

w/Fog Lamps

AL3Z 12A581 KA

\$942.83

w/o Fog Lamps

AL3Z 12A581 MA

\$897.58

AWD

Harley-Davidson Model

10

AL3Z 12A581 FA

\$1,015.93

2011

3.5L Turbo Eng

BL3Z 12A581 X

\$1,220.75

3.7L Eng

BL3Z 12A581 H

\$1,139.53

5.0L Eng

BL3Z 12A581 L

\$1,198.32

6.2L Eng

BL3Z 12A581 U

\$1,126.35

2012

3.5L Turbo Eng

CL3Z 12A581 CAB

\$588.90

3.7L Eng

CL3Z 12A581 BAB

\$538.00

5.0L Eng

CL3Z 12A581 GAB

\$580.80

6.2L Eng

CL3Z 12A581 ZAB

\$575.28

2013-14

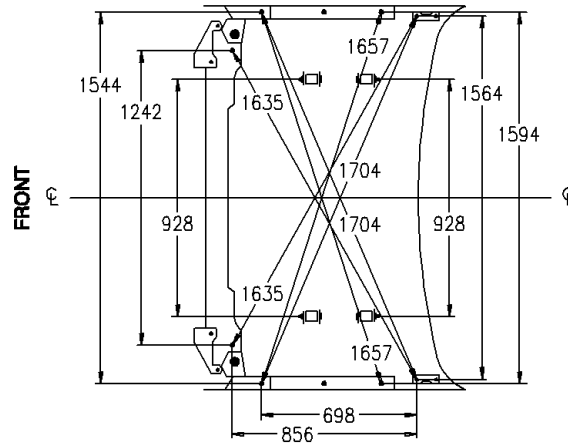
3.5L Turbo Eng

DL3Z 12A581 CAB

\$540.72

3.7L Eng	DL3Z 12A581 BAB	\$511.87	
5.0L Eng	DL3Z 12A581 GAB	\$527.00	
6.2L Eng	DL3Z 12A581 VBB	\$596.80	
<i>(a) Order by Application</i>			
Cover, Fuse/Relay Box			
2 Upper	9L1Z 14A003 A	\$30.35	.1
3 Lower	9L1Z 14A003 B	\$25.62	
<i>Included w/Engine Compartment Harness Assy</i>			
Harness, Front Lamp-Serviced w/Engine Compartment Harness Assy			
4 Bracket, Mounting	7L1Z 14A254 AA	\$49.80	

061-20079



UNDERHOOD DIMENSIONS

UNDERHOOD DIMENSIONS

AIR BAG SYSTEM

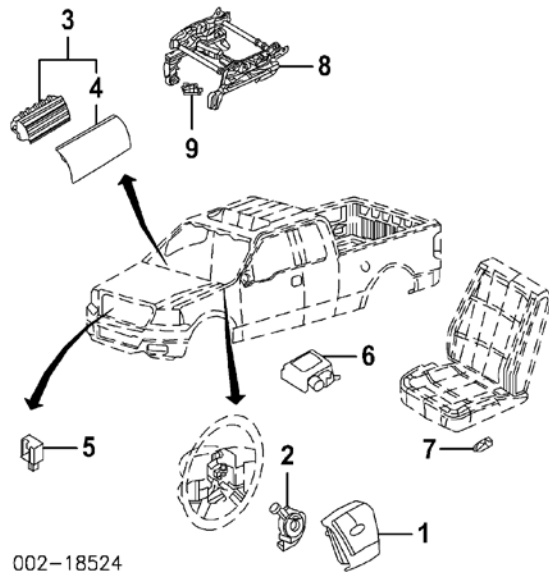
Use Procedure Explanation 30 with the following text.

NOTE 1: R&R Does Not include disable and enable or diagnose Air Bag System.

NOTE 2: Refer to Procedural Explanation 30 for Supplemental Restraint/Air Bag System Component Inspection and Replacement Information.

NOTE 3: For Air Bag System Service procedures, refer to Manufacturer's Service Repair Manual or Mitchell's Air Bag Service and Repair Manual.

FRONT

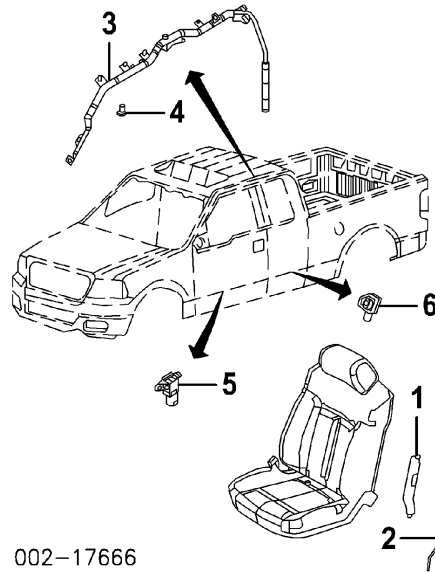


002-18524

Disable & Enable Air Bag System				1.0
Diagnose Air Bag System (If Required)				#1.5
<i>#Includes Disconnect & Connect Scan Tool & Retrieve/Clear Trouble Codes</i>				
Add to Initialize Occupant Detection ECU				.4
1 Module, Driver Air Bag				
2009-10				
Black	9L3Z 15043B13 AC	\$595.47		.4
Camel				
w/King Ranch Model	9L3Z 15043B13 AB	\$595.47		.4
w/o King Ranch Model	9L3Z 15043B13 AD	\$595.47		.4
Stone				
w/Platinum Model	9L3Z 15043B13 AA	\$595.47		.4
w/o Platinum Model	9L3Z 15043B13 AD	\$595.47		.4
2011-14				
Adobe				
w/King Ranch Model	BL3Z 15043B13 AA	\$367.47		.4
w/o King Ranch Model	9L3Z 15043B13 AD	\$595.47		.4
Black, Steel	9L3Z 15043B13 AC	\$595.47		.4
2 Clockspring				
2009-10				
	9L3Z 14A664 A	\$90.83		1.1
2011-14				
	DL3Z 14A664 A	\$130.13		1.1
<i>Included w/Combination Switch Assy-listed in Steering Wheel/Column Section</i>				
3 Module Assy, Passenger Air Bag				
2009-10				
Black	AL3Z 15044A74 AC	\$478.62		.6
Camel	AL3Z 15044A74 AB	\$478.62		.6
Stone	AL3Z 15044A74 AA	\$478.62		.6
2011-14				
Adobe	BL3Z 15044A74 AA	\$510.33		.6
Black	AL3Z 15044A74 AC	\$478.62		.6

Steel		BL3Z 15044A74 AB	\$510.33	.6
4 Cover, Module (b)				
2009-10				
Black		9L3Z 1804338 AC	\$244.72	
Camel		9L3Z 1804338 AB	\$244.72	
Stone		9L3Z 1804338 AA	\$244.72	
2011-14				
Adobe		BL3Z 1804338 AA	\$228.55	
Black		9L3Z 1804338 AC	\$244.72	
Steel		BL3Z 1804338 AB	\$228.55	
<i>(b) Included w/Passenger Air Bag Module Assy</i>				
Screw, Module Mtg (3)		* W708568 S424	\$1.03	
5 Sensor, Front Impact	R	AL3Z 14B004 A	\$73.38	#.5
	L	AL3Z 14B004 A	\$73.38	#.5
<i>#R&R Both .8</i>				
6 Module, Restraint Control				
Regular Cab	09-10	AL3Z 14B321 G	\$606.68	#.5
	11	BL3Z 14B321 D	\$601.07	#.5
	12	CL3Z 14B321 B	\$595.47	#.5
	13-14	DL3Z 14B321 B	\$596.38	#.5
Extended Cab, Crew Cab	09-10	AL3Z 14B321 F	\$600.63	#.5
	11	BL3Z 14B321 C	\$601.07	#.5
	12	CL3Z 14B321 A	\$591.53	#.5
	13-14	DL3Z 14B321 A	\$596.13	#.5
<i>#w/Center Console Removed</i>				
Pretensioner, Seat Belt-See Seat Belts Section				
7 Sensor, Seat Position				
Driver Side		7T4Z 14B416 B	\$42.42	#.4
<i>#w/Seat Removed</i>				
8 Track, Seat				
Passenger Side				
Manual				
2009-11		9L3Z 1661704 B	\$898.47	#.4
2012				
To 10-24-11		9L3Z 1661704 B	\$898.47	#.4
From 10-24-11		CL3Z 1661704 A	\$739.67	#.4
2013-14		CL3Z 1661704 A	\$739.67	#.4
Power				
2009		9L3Z 1661710 A	\$906.93	#.6
2010				
To 9-29-10		9L3Z 1661710 A	\$906.93	#.6
From 9-29-10		AL3Z 1661710 A	\$903.57	#.6
2011		AL3Z 1661710 A	\$903.57	#.6
2012				
To 10-24-11		AL3Z 1661710 A	\$903.57	#.6
From 10-24-11		CL3Z 9661710 A	\$1,137.17	#.6
2013-14		CL3Z 9661710 A	\$1,137.17	#.6
<i>#w/Seat Cushion Cover Removed</i>				
Sensor, Weight-Serviced w/Seat Track				
9 Control Unit, Occupant Detection				
Passenger Side	09-10	9L3Z 14B056 B	\$152.22	#.4
	11	BL3Z 14B056 A	\$234.97	#.4

#w/Seat Assy Removed, Included in R&R Seat Track

SIDE

002-17666

Disable & Enable Air Bag System**Diagnose Air Bag System (If Required)**

#Includes Disconnect & Connect Scan Tool & Retrieve/Clear Trouble Codes

1.0

#1.5

1 Module, Seat Air Bag

Passenger Side

2009

9L3Z 78611D10 A

\$244.72

#.4

2010

To 2-1-10

9L3Z 78611D10 A

\$244.72

#.4

From 2-1-10

AL3Z 78611D10 A

\$244.72

#.4

2011-14

AL3Z 78611D10 A

\$244.72

#.4

Driver Side

2009

9L3Z 78611D11 A

\$244.83

#.4

2010

To 2-1-10

9L3Z 78611D11 A

\$244.83

#.4

From 2-1-10

AL3Z 78611D11 A

\$244.83

#.4

2011-14

AL3Z 78611D11 A

\$244.83

#.4

#w/Seat Back Cover & Pad Removed

2 Harness, Air Bag Wiring

Passenger Side

Man Seat

2009

9L3Z 14K155 FA

\$45.25

2010

To 2-1-10

9L3Z 14K155 FA

\$45.25

From 2-1-10

AU5Z 14K155 C

\$38.80

2011-14

AU5Z 14K155 C

\$38.80

Pwr Seat

2009

9L3Z 14K155 AA

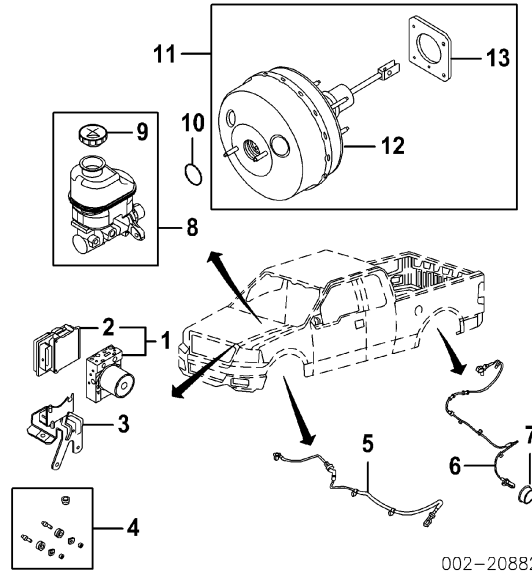
\$47.52

2010

	To 2-1-10		9L3Z 14K155 AA	\$47.52	
	From 2-1-10		AU5Z 14K155 A	\$50.18	
	2011-14		AU5Z 14K155 A	\$50.18	
Driver Side					
Man Seat					
	2009		9L3Z 14K155 FA	\$45.25	
	2010				
	To 2-1-10		9L3Z 14K155 FA	\$45.25	
	From 2-1-10		AU5Z 14K155 C	\$38.80	
	2011-14		AU5Z 14K155 C	\$38.80	
Pwr Seat					
	2009		9L3Z 14K155 BA	\$41.78	
	2010				
	To 2-1-10		9L3Z 14K155 BA	\$41.78	
	From 2-1-10		AU5Z 14K155 B	\$36.55	
	2011-14		AU5Z 14K155 B	\$36.55	
3 Module, Side Curtain Air Bag					
Regular Cab					
	2009				
	To 12-1-08	R	9L3Z 78042D94 A	\$506.00	#.8
		L	9L3Z 78042D95 A	\$506.00	#.8
	From 12-1-08	R	AL3Z 78042D94 A	\$471.92	#.8
		L	AL3Z 78042D95 A	\$471.92	#.8
	2010-14	R	AL3Z 78042D94 A	\$471.92	#.8
		L	AL3Z 78042D95 A	\$471.92	#.8
Extended Cab					
	2009				
	To 12-1-08	R	9L3Z 78042D94 B	\$569.35	#.8
		L	9L3Z 78042D95 B	\$569.35	#.8
	From 12-1-08	R	AL3Z 78042D94 B	\$499.97	#.8
		L	AL3Z 78042D95 D	\$529.73	#.8
	2010-14	R	AL3Z 78042D94 B	\$499.97	#.8
		L	AL3Z 78042D95 D	\$529.73	#.8
Crew Cab					
	2009				
	To 12-1-08	R	9L3Z 78042D94 C	\$601.48	#.8
		L	9L3Z 78042D95 C	\$601.48	#.8
	From 12-1-08	R	CL3Z 78042D94 C	\$561.78	#.8
		L	CL3Z 78042D95 D	\$552.68	#.8
	2010-14	R	CL3Z 78042D94 C	\$561.78	#.8
		L	CL3Z 78042D95 D	\$552.68	#.8
#w/Headliner Removed					
4 Screw, Mounting (7/Side)					
		R	* W713976 S437M	\$1.03	
		L	* W713976 S437M	\$1.03	
Sensor, Side Impact					
5 Front, (On Door)					
		R	BL3Z 14B345 A	\$62.62	#.3
		L	BL3Z 14B345 A	\$62.62	#.3
#w/Door Trim Panel Removed					
6 Rear					
	Extended Cab, Crew Cab	R	9L3Z 14B345 A	\$57.68	#.4
		L	9L3Z 14B345 A	\$57.68	#.4

ABS/BRAKES

2009-10



002-20882

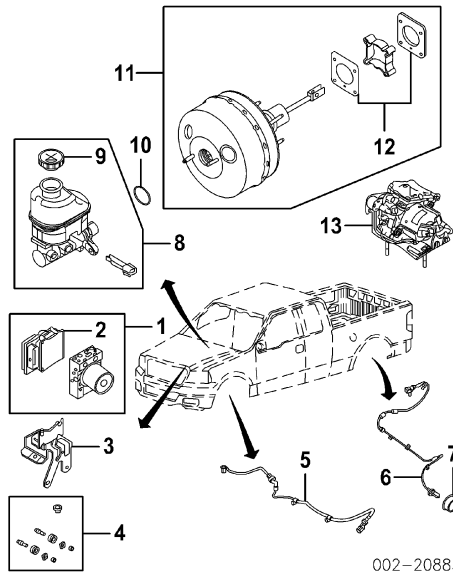
Bleed Brake System

NOTE: R&R Does Not include bleed system.

1.0

1	Module Assy, ABS				
	2WD	09	9L3Z 2C215 B	\$531.68	1.6
		10	AL3Z 2C215 B	\$769.63	1.6
	4WD	09	9L3Z 2C215 C	\$550.92	1.6
		10	AL3Z 2C215 C	\$1,154.48	1.6
	AWD	10	AL3Z 2C215 C	\$1,154.48	1.6
2	Module, ABS Control				
	2WD	09	9L3Z 2C219 G	\$770.45	.8
		10	AL3Z 2C219 P	\$468.10	.8
	4WD	09	9L3Z 2C219 H	\$541.17	.8
		10	AL3Z 2C219 Q	\$468.10	.8
	AWD	10	AL3Z 2C219 Q	\$468.10	.8
	Included w/ABS Module Assy				
3	Brkt, ABS Module		CL3Z 2C304 A	\$64.68	#.4
	#w/ABS Control Module Removed				
4	Mounting Kit		5F9Z 2C229 A	\$59.83	
5	Sensor, Front ABS	R	9L3Z 2C204 A	\$155.40	#.7
		L	9L3Z 2C204 A	\$155.40	#.7
	#R&R Both Sides 1.2				
6	Sensor, Rear ABS	R	AL3Z 2C190 C	\$66.13	#.6
		L	AL3Z 2C190 D	\$56.53	#.6
	#R&R Both Sides 1.0				
7	Indicator, ABS	R	9L3Z 2C189 A	\$70.92	
		L	9L3Z 2C189 A	\$70.92	
8	Cylinder Assy, Brake Master	09	9L3Z 2140 F	\$176.27	1.1
		10	DL3Z 2140 A	\$185.23	1.1
9	Cap, Reservoir (b)		F88Z 2162 AA	\$20.80	

	(b) Included w/Brake Master Cylinder Assy			
10	Gasket, Cylinder	7L1Z 2152 A	\$13.40	
11	Booster Assy, Brake			
	2009-Serviced by Components			
	2010	DL3Z 2005 D	\$111.85	#1.8
12	Booster, Brake (c)			
	2009			
	To 12-1-08	9L3Z 2005 A	\$201.90	#1.8
	From 12-1-08	9L3Z 2005 B	\$178.90	#1.8
	2010-Serviced w/Brake Booster Assy			
	#Includes R&R Brake Master Cylinder			
13	Gskt, Booster (c)	7L1Z 2B022 A	\$5.67	
	(c) Included w/Brake Booster Assy			
	2011-12			



002-20883

Bleed Brake System

1.0

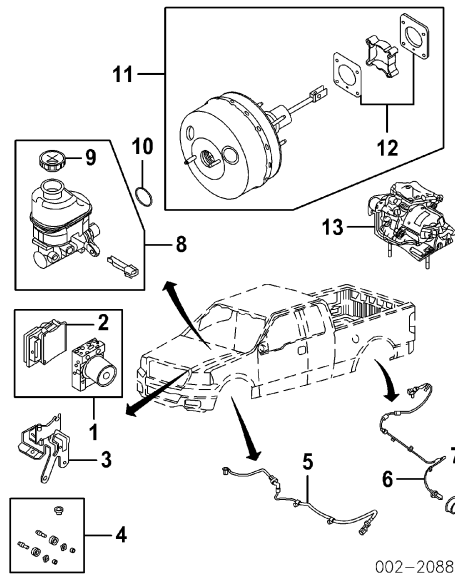
NOTE: R&R Does Not include bleed system.

1	Module Assy, ABS				
	2WD	11	BL3Z 2C405 K	\$541.78	1.6
		12	CL3Z 2C405 A	\$865.98	1.6
	4WD, AWD	11	BL3Z 2C405 J	\$647.93	1.6
		12	CL3Z 2C405 B	\$871.10	1.6
2	Module, ABS Control				
	2WD	11	BL3Z 2C219 H	\$292.10	.8
		12	CL3Z 2C219 D	\$285.07	.8
	4WD, AWD	11	BL3Z 2C219 J	\$580.87	.8
		12	CL3Z 2C219 E	\$418.52	.8
	Included w/ABS Module Assy				
3	Brkt, ABS Module		CL3Z 2C304 A	\$64.68	#.4
	#w/ABS Control Module Removed				
4	Mounting Kit		5F9Z 2C229 A	\$59.83	
5	Sensor, Front ABS	R	BL3Z 2C204 B	\$83.98	#.7
		L	BL3Z 2C204 B	\$83.98	#.7

#R&R Both Sides 1.2

6 Sensor, Rear ABS	R	BL3Z 2C190 E	\$58.05	#.6
	L	BL3Z 2C190 F	\$41.60	#.6
<i>#R&R Both Sides 1.0</i>				
7 Indicator, ABS	R	9L3Z 2C189 A	\$70.92	
	L	9L3Z 2C189 A	\$70.92	
8 Cylinder Assy, Brake Master		DL3Z 2140 A	\$185.23	1.1
9 Cap, Reservoir (c)		F88Z 2162 AA	\$20.80	
<i>(c) Included w/Brake Master Cylinder Assy</i>				
10 Gasket, Cylinder		7L1Z 2152 A	\$13.40	
11 Booster Assy, Brake		DL3Z 2005 D	\$111.85	#1.8
<i>#Includes R&R Brake Master Cylinder</i>				
12 Gskt, Booster (b)		7L1Z 2B022 A	\$5.67	
<i>(b) Included w/Brake Booster Assy</i>				
13 Pump, Vacuum				
3.5L Turbo Eng		BL3Z 2A451 A	\$565.83	#.5
<i>#w/Headlamp Assy Removed</i>				

2013-14



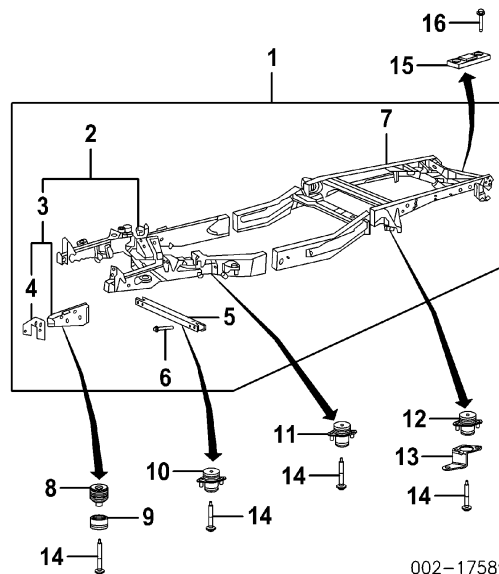
002-20881

1 Module Assy, ABS				
2WD (a)		DL3Z 2C215 B	\$458.94	1.6
4WD		DL3Z 2C215 C	\$480.62	1.6
<i>(a) Order by Application</i>				
2 Module, ABS Control				
2WD		DL3Z 2C219 C	\$433.25	.8
4WD		DL3Z 2C219 B	\$515.75	.8
<i>Included w/ABS Module Assy</i>				
3 Bracket, ABS Module		CL3Z 2C304 A	\$64.68	#.4
<i>#w/ABS Control Module Removed</i>				
4 Mounting Kit		5F9Z 2C229 A	\$59.83	
5 Sensor, Front ABS	R	CL3Z 2C204 B		#.7
	L	CL3Z 2C204 B		#.7
<i>#R&R Both Sides 1.2</i>				
6 Sensor, Rear ABS	R	BL3Z 2C190 E	\$58.05	#.6
	L	BL3Z 2C190 F	\$41.60	#.6
<i>#R&R Both Sides 1.0</i>				

7 Indicator, ABS Sensor	R	9L3Z 2C189 A	\$70.92	
	L	9L3Z 2C189 A	\$70.92	
8 Cylinder Assy, Brake Master				
2013		DL3Z 2140 A	\$185.23	1.1
2014				
To 10-28-13		DL3Z 2140 A	\$185.23	1.1
From 10-28-13		EL3Z 2140 B	\$108.30	1.1
9 Cap, Reservoir (b)				
2013		F88Z 2162 AA	\$20.80	
2014				
To 10-28-13		F88Z 2162 AA	\$20.80	
From 10-28-13		EL3Z 2162 A	\$5.63	
<i>(b) Included w/Brake Master Cylinder Assy</i>				
10 Gasket, Cylinder		7L1Z 2152 A	\$13.40	
11 Booster Assy, Brake				
3.5L Turbo Eng		DL3Z 2005 C	\$115.73	#1.8
3.7L, 5.0L, 6.2L Eng		DL3Z 2005 D	\$111.85	#1.8
<i>#Includes R&R Brake Master Cylinder</i>				
12 Gasket, Booster (c)		7L1Z 2B022 A	\$5.67	
<i>(c) Included w/Brake Booster Assy</i>				
13 Pump, Vacuum		DL3Z 2A451 B	\$92.93	#.5
<i>#w/Headlamp Assy Removed</i>				

FRAME

Use Procedure Explanation 9 with the following text.
2009-10



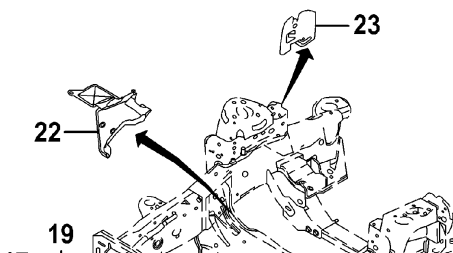
002-17589

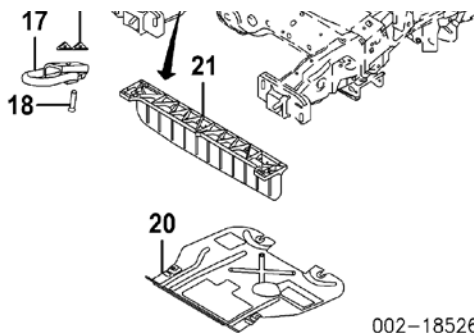
Add to R&R Frame
w/Tow Hooks
w/Skid Plate
w/Engine Splash Shield
w/Splash Shield

.2
.3
.2
.2

w/Bed Side Step				.6
w/Tow Hitch				.5
Evacuate & Recharge System				1.4
Recover Refrigerant				.3
1 Frame Assy				
Regular Cab				
2WD				
126" WB		9L3Z 5005 DAAB	\$4,632.78	28.0
145" WB		CL3Z 5005 F	\$4,440.38	28.0
4WD				
126" WB		9L3Z 5005 FAAB	\$5,271.92	30.0
145" WB		9L3Z 5005 FADB	\$4,805.45	30.0
Extended Cab				
2WD				
133" WB	09	9L3Z 5005 DABB	\$5,276.00	28.5
145" WB		CL3Z 5005 G	\$4,289.88	28.5
163" WB		9L3Z 5005 DAGB	\$5,754.67	28.5
4WD				
2009				
133" WB				
To 4-20-09		9L3Z 5005 FABB	\$4,932.92	30.5
From 4-20-09		9L3Z 5005 FABE	\$4,917.33	30.5
145" WB		CL3Z 5005 N	\$4,367.25	30.5
2010				
145" WB		CL3Z 5005 N	\$4,367.25	30.5
163" WB		AL3Z 5005 CAGB	\$5,463.50	30.5
Crew Cab				
2WD				
145" WB		CL3Z 5005 E	\$4,355.43	29.0
157" WB		9L3Z 5005 DAFB	\$5,401.08	29.0
4WD				
145" WB		CL3Z 5005 L	\$4,357.35	30.5
157" WB		CL3Z 5005 P	\$4,298.75	31.0
AWD	10	CL3Z 5005 L	\$4,357.35	31.0
2 Replacement Kit, Front Frame				
Man Trans-Serviced w/Frame Assy				
Auto Trans				
2WD		AL3Z 5019 A	\$3,267.87	#12.0
4WD		AL3Z 5019 B	\$3,847.43	#12.0
AWD	10	AL3Z 5019 B	\$3,847.43	#12.0
<i>#w/Front Sheet Metal, Engine/Trans Assy, Front Suspension, Steering Gear & Necessary Bolted Parts & Assemblies Removed, See Manufacturer's Body Repair Manual for Specific Instructions</i>				
3 Repair Kit, Frame Rail (b)	R	9L3Z 5D058 A	\$240.67	#5.0
	L	9L3Z 5D059 A	\$240.67	#5.0
4 Bracket Kit, Bumper (b) (c)	R	9L3Z 5D058 AA	\$76.07	#1.5
	L	9L3Z 5D059 AA	\$76.07	#1.5
<i>(c) Included w/Frame Rail Repair Kit</i>				
<i>(b) Included w/Front Frame Replacement Kit</i>				
<i>#w/Necessary Bolted Parts Removed, See Manufacturer's Body Repair Manual for Specific Instructions</i>				
5 Crossmember, Frame		9L3Z 5025 A	\$177.47	

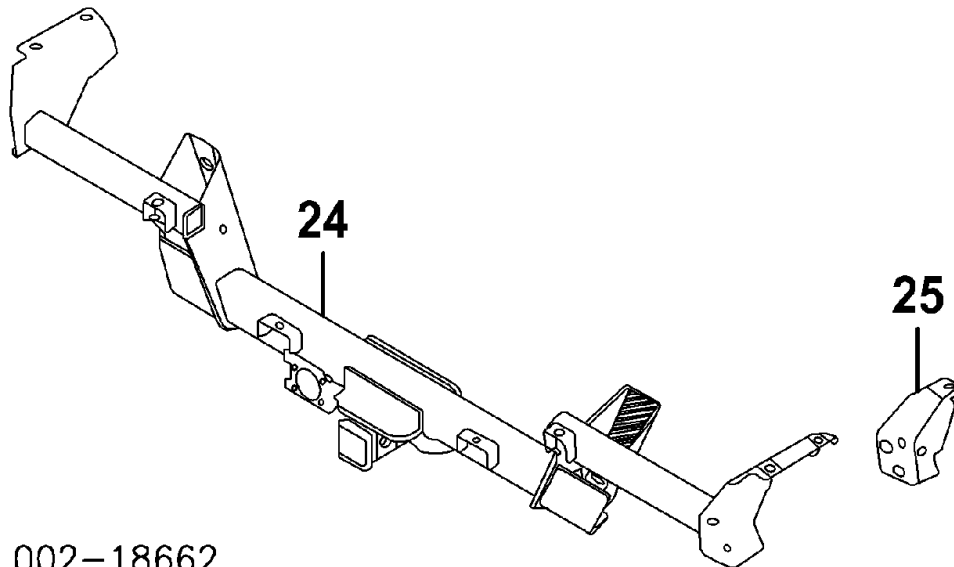
6 Bolt, Crossmember (2/Side)	R	* W714420 S439	\$5.89	
	L	* W714420 S439	\$5.89	
7 Replacement Kit, Rear Frame				
6 Foot Bed (a)				
2WD		9L3Z 17N775 A	\$2,165.48	#12.5
4WD		9L3Z 17N775 B	\$2,490.30	#12.5
AWD	10	9L3Z 17N775 B	\$2,490.30	#12.5
7 Foot, 8 Foot Bed				
2WD		9L3Z 17N775 A	\$2,165.48	#12.5
4WD		9L3Z 17N775 B	\$2,490.30	#12.5
<i>(a) Add'l Parts &/or Dealer Contact Required</i>				
<i>Included w/Frame Assy</i>				
<i>#w/Bed Assy, Rear Suspension, Bumper, Fuel Tank & Necessary</i>				
<i>Bolted Parts & Assemblies Removed, See Manufacturer's Body</i>				
<i>Repair Manual for Specific Instructions</i>				
8 Cushion, Upr Rad Supt	R	7L1Z 1000154 FA	\$31.45	
	L	7L1Z 1000154 FA	\$31.45	
9 Cushion, Lwr Rad Supt	R	7L1Z 1000155 FA	\$22.65	
	L	7L1Z 1000155 FA	\$22.65	
Mount, Body				
10 No. 1				
Regular Cab	R	9L3Z 1000154 C	\$50.72	
	L	9L3Z 1000154 C	\$50.72	
Extended Cab, Crew Cab	R	9L3Z 1000154 D	\$57.55	
	L	9L3Z 1000154 D	\$57.55	
11 No. 2				
Regular Cab	R	9L3Z 1000154 B	\$57.55	
	L	9L3Z 1000154 B	\$57.55	
Extended Cab, Crew Cab	R	9L3Z 1000154 A	\$57.55	
	L	9L3Z 1000154 A	\$57.55	
12 No. 3				
Extended Cab, Crew Cab	R	9L3Z 1000154 B	\$57.55	
	L	9L3Z 1000154 B	\$57.55	
13 Plate, Mounting	R	9L3Z 5R084 B	\$10.92	
	L	9L3Z 5R084 A	\$22.02	
14 Bolt, Mounting (a) (n)	09	R 6L1Z 78001B39 BA	\$45.53	
		L 6L1Z 78001B39 BA	\$45.53	
	10	R * W713789 S439	\$6.51	
		L * W713789 S439	\$6.51	
<i>(a) As Required</i>				
<i>(n) Non-Reusable Part</i>				
15 Damper, Frame (a)	09	9L3Z 5D008 A	\$244.35	
<i>(a) Order by Application</i>				
16 Bolt, Damper (a)	09	* W710428 S439	\$1.03	
<i>(a) As Required</i>				





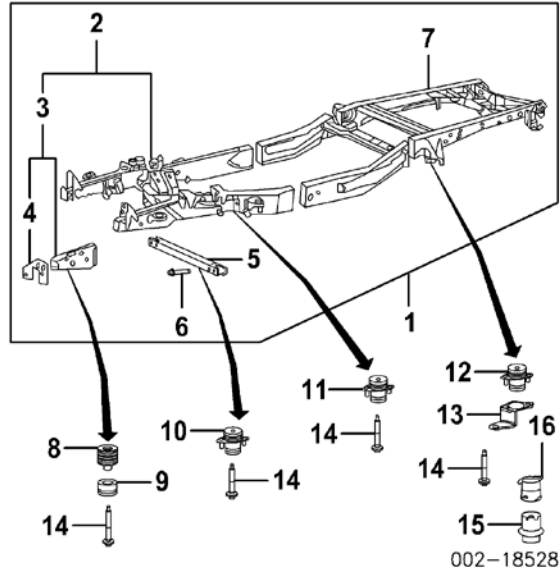
002-18526

17 Hook, Tow					
Chrome	R	9L3Z 17A954 B	\$113.38	.2	
	L	9L3Z 17A954 B	\$113.38	.2	
Black	R	7L1Z 17A954 AA	\$59.87	.2	
	L	7L1Z 17A954 AA	\$59.87	.2	
18 Bolt, Hook (2/Side)	R	* W713172 S901	\$2.14		
	L	* W713172 S901	\$2.14		
19 Nut, Mounting	R	* W712330 S441	\$6.16		
	L	* W712330 S441	\$6.16		
20 Plate, Skid					
2009		9L3Z 5D032 A	\$116.03	.3	
2010					
w/Hill Descent Control		AL3Z 5D032 A	\$336.75	.3	
w/o Hill Descent Control		9L3Z 5D032 A	\$116.03	.3	
21 Shield, Engine Splash		AL3Z 6775 B	\$51.82	.2	
Shield, Splash					
22 Front		9L3Z 6N634 A	\$9.28	.2	
23 Rear	R	7L1Z 5C143 AA	\$105.22		



002-18662

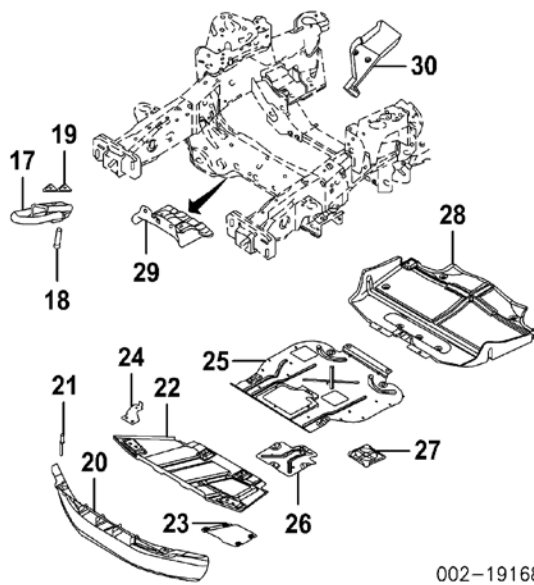
24 Hitch/Reinforcement-See Rear Bumper Section
 25 Brkt, Rear Bumper-See Rear Bumper Section



Add to R&R Frame					
w/Tow Hooks					.2
w/Engine Splash Shield					.2
w/Lower Splash Shield					.3
w/Skid Plate					.2
w/Bed Side Step					.6
w/3.5L Eng					#.5
#Includes R&I/R&R Intercooler					
Add to R&R Frame w/Tow Hitch					.5
Evacuate & Recharge System					1.4
Recover Refrigerant					.3
1 Frame Assy					
Regular Cab					
2WD					
126" WB	11-13	EL3Z 5005 B	\$4,422.83	28.0	
	14	EL3Z 5005 B	\$4,422.83	28.0	
145" WB	11-13	CL3Z 5005 F	\$4,440.38	28.0	
	14	EL3Z 5005 F	\$4,547.75	28.0	
4WD					
126" WB	11-13	CL3Z 5005 K	\$4,331.02	30.0	
	14	EL3Z 5005 K	\$4,469.75	30.0	
145" WB	11-13	CL3Z 5005 M	\$4,444.40	30.0	
	14	EL3Z 5005 M	\$4,597.92	30.0	
Extended Cab					
2011-13					
2WD					
145" WB		CL3Z 5005 G	\$4,289.88	28.5	
163" WB		CL3Z 5005 J	\$4,763.73	28.5	
4WD					
145" WB		CL3Z 5005 N	\$4,367.25	30.5	
163" WB		CL3Z 5005 Q	\$4,851.50	30.5	

2014 Crew Cab 2WD 145" WB		N.A.		30.5
	11-13	CL3Z 5005 E	\$4,355.43	29.0
	14	EL3Z 5005 E	\$4,447.75	29.0
157" WB 2011		CL3Z 5005 H	\$4,974.33	29.0
2012				
To 1-30-12		CL3Z 5005 H	\$4,974.33	29.0
From 1-30-12		CL3Z 5005 R	\$4,211.25	29.0
2013		CL3Z 5005 R	\$4,211.25	29.0
2014		EL3Z 5005 R	\$4,619.58	29.0
4WD 145" WB				
2011-12		CL3Z 5005 L	\$4,357.35	31.0
2013				
w/Hill Descent Control		DL3Z 5005 CA	\$4,348.58	31.0
w/o Hill Descent Control		CL3Z 5005 L	\$4,357.35	31.0
2014				
w/Hill Descent Control		N.A.		31.0
w/o Hill Descent Control		EL3Z 5005 L	\$4,495.58	31.0
157" WB				
2011		CL3Z 5005 P	\$4,298.75	31.0
2012				
To 1-24-12		CL3Z 5005 P	\$4,298.75	31.0
From 1-24-12		EL3Z 5005 P	\$4,691.50	31.0
2013-14		EL3Z 5005 P	\$4,691.50	31.0
AWD		CL3Z 5005 L	\$4,357.35	31.0
2 Replacement Kit, Front Frame				
2WD		AL3Z 5019 A	\$3,267.87	#12.0
4WD, AWD		AL3Z 5019 B	\$3,847.43	#12.0
<i>#w/Front Sheet Metal, Engine/Trans Assy, Front Suspension, Steering Gear & Necessary Bolted Parts & Assemblies Removed, See Manufacturer's Body Repair Manual for Specific Instructions</i>				
3 Repair Kit, Frame Rail (b)				
Base Payload Pkg	R	9L3Z 5D058 A	\$240.67	#5.0
	L	9L3Z 5D059 A	\$240.67	#5.0
4 Bracket Kit, Bumper (b) (c)	R	9L3Z 5D058 AA	\$76.07	#1.5
	L	9L3Z 5D059 AA	\$76.07	#1.5
<i>(c) Included w/Frame Rail Repair Kit (b) Included w/Front Frame Replacement Kit #w/Necessary Bolted Parts Removed, See Manufacturer's Body Repair Manual for Specific Instructions</i>				
5 Crossmember, Frame		9L3Z 5025 A	\$177.47	
6 Bolt, Crossmember (2/Side)	R	* W714420 S439	\$5.89	
	L	* W714420 S439	\$5.89	
7 Replacement Kit, Rear Frame				
6 Foot Bed (a)				
2WD		9L3Z 17N775 A	\$2,165.48	#12.5
4WD		9L3Z 17N775 B	\$2,490.30	#12.5
AWD		9L3Z 17N775 B	\$2,490.30	#12.5
7 Foot, 8 Foot Bed				

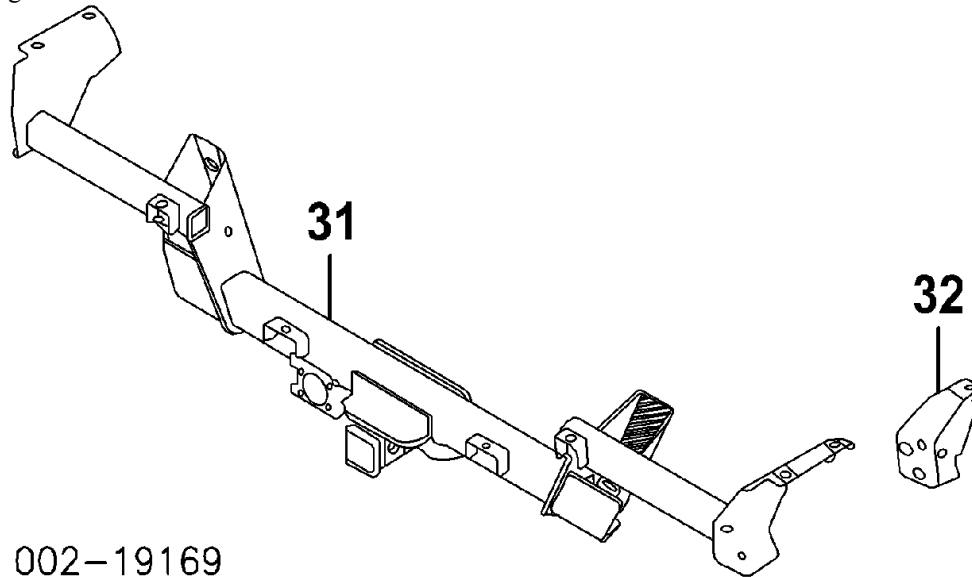
2WD		9L3Z 17N775 A	\$2,165.48	#12.5
4WD		9L3Z 17N775 B	\$2,490.30	#12.5
(a) Add'l Parts &/or Dealer Contact Required				
Included w/Frame Assy				
#w/Bed Assy, Rear Suspension, Bumper, Fuel Tank & Necessary				
Bolted Parts & Assemblies Removed, See Manufacturer's Body				
Repair Manual for Specific Instructions				
8	Cushion, Uptr Rad Supt	R	7L1Z 1000154 FA	\$31.45
		L	7L1Z 1000154 FA	\$31.45
9	Cushion, Lwr Rad Supt	R	7L1Z 1000155 FA	\$22.65
		L	7L1Z 1000155 FA	\$22.65
Mount, Body				
10	No. 1			
	Regular Cab	R	9L3Z 1000154 C	\$50.72
		L	9L3Z 1000154 C	\$50.72
	Extended Cab, Crew Cab	R	9L3Z 1000154 D	\$57.55
		L	9L3Z 1000154 D	\$57.55
11	No. 2			
	Regular Cab	R	9L3Z 1000154 B	\$57.55
		L	9L3Z 1000154 B	\$57.55
	Extended Cab, Crew Cab	R	9L3Z 1000154 A	\$57.55
		L	9L3Z 1000154 A	\$57.55
12	No. 3			
	Extended Cab, Crew Cab	R	9L3Z 1000154 B	\$57.55
		L	9L3Z 1000154 B	\$57.55
13	Plate, Mounting	R	9L3Z 5R084 B	\$10.92
		L	9L3Z 5R084 A	\$22.02
14	Bolt, Mounting (a) (n)	R	* W713789 S439	\$6.51
		L	* W713789 S439	\$6.51
(a) As Required				
(n) Non-Reusable Part				
15	Damper, Frame			
	2WD			
	Platinum Model, (2)		AL3Z 5D008 A	\$108.72
	4WD			
	Regular Cab			
	126" WB		AL3Z 5D008 A	\$108.72
	145" WB, (2)		AL3Z 5D008 A	\$108.72
	Extended Cab, Crew Cab, (2)		AL3Z 5D008 A	\$108.72
	AWD, (2)		AL3Z 5D008 A	\$108.72
16	Bracket, Damper			
	2WD			
	Platinum Model, (2)		AL3Z 5D008 B	\$20.82
	4WD			
	Regular Cab			
	126" WB		AL3Z 5D008 B	\$20.82
	145" WB, (2)		AL3Z 5D008 B	\$20.82
	Extended Cab, Crew Cab, (2)		AL3Z 5D008 B	\$20.82
	AWD, (2)		AL3Z 5D008 B	\$20.82



002-19168

17 Hook, Tow Chrome	R	9L3Z 17A954 B	\$113.38	.2
	L	9L3Z 17A954 B	\$113.38	.2
Black	R	7L1Z 17A954 AA	\$59.87	.2
	L	7L1Z 17A954 AA	\$59.87	.2
18 Bolt, Hook (2/Side)	R	* W713172 S901	\$2.14	
	L	* W713172 S901	\$2.14	
19 Nut, Mounting	R	* W712330 S441	\$6.16	
	L	* W712330 S441	\$6.16	
20 Shield, Engine Splash 2011				
To 1-3-11		AL3Z 6775 B	\$51.82	.2
From 1-3-11 to 3-23-11		BL3Z 6775 A	\$46.35	.2
From 3-23-11		BL3Z 6775 B	\$28.93	.2
2012-14		BL3Z 6775 B	\$28.93	.2
21 Stud, Mounting	R	* W711375 S439	\$2.06	
	L	* W711375 S439	\$2.06	
22 Plate, Front Skid 6.2L Eng		AL3Z 5B018 A	\$1,149.83	.4
23 Panel, Access 6.2L Eng		AL3Z 6A750 A	\$205.43	
24 Bracket, Skid Plate 6.2L Eng	R	AL3Z 6G079 A	\$108.93	
	L	AL3Z 6G079 A	\$108.93	
25 Shield, Lower Splash 3.5L Turbo Eng w/Skid Plate		BL3Z 5D032 A	\$127.70	.3
w/o Skid Plate		BL3Z 5D032 B	\$76.58	.3
3.7L, 5.0L Eng		BL3Z 5D032 A	\$127.70	.3
6.2L Eng		AL3Z 5D032 A	\$336.75	.3
Cover, Access				

26	Front				
	3.5L Turbo Eng			BL3Z 5D032 C	\$20.95
	w/Skid Plate			BL3Z 5D032 D	\$38.57
	w/o Skid Plate			BL3Z 5D032 C	\$20.95
	3.7L, 5.0L Eng				
27	Rear				
	3.5L Turbo Eng	R		BL3Z 6C070 A	\$5.45
		L		BL3Z 6C070 A	\$5.45
28	Cover, Engine Under				
	3.5L Turbo Eng				
	2011-13			BL3Z 5D032 F	\$144.52
	2014				.3
	To 11-18-13			BL3Z 5D032 F	\$144.52
	From 11-18-13			CL3Z 5D032 A	\$289.17
					.3
29	Plate, Crossmember				
	3.7L, 5.0L Eng			BL3Z 5D032 E	\$64.90
					.2
30	Shield, Side				
	6.2L Eng	L		AL3Z 6N634 B	\$10.83



002-19169

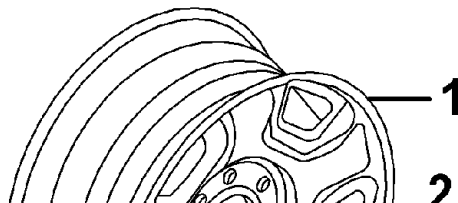
31 Hitch/Reinforcement-See Rear Bumper Section

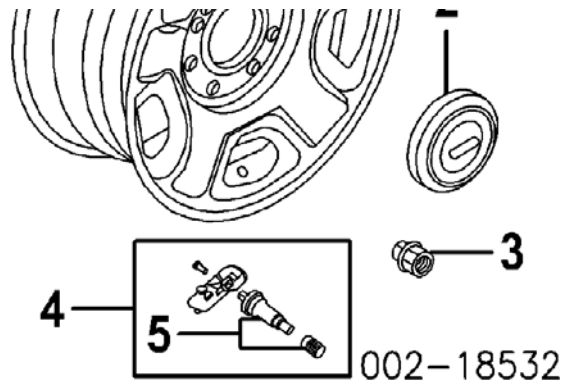
32 Brkt, Rear Bumper-See Rear Bumper Section

WHEEL

Use Procedure Explanation 10 with the following text.

STEEL WHEEL





Refinish Wheel .5

Add to R&I Spare Wheel & Tire Assy .2

NOTE: Wheel Replacement Requires Replacement of Pressure Sensor Valve Stem.

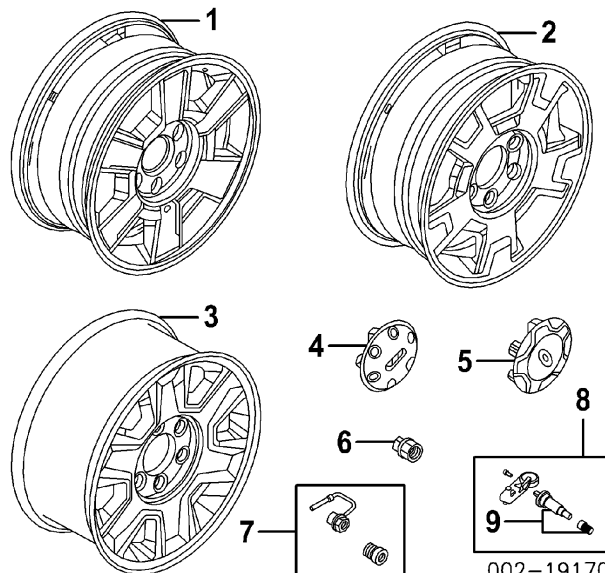
1	Wheel, Steel				
	Base Payload Pkg	09	9L3Z 1007 K	\$159.28	.3
		10-14	AL3Z 1015 B	\$265.03	.3
	Upgrade Payload Pkg	09	7L3Z 1015 A	\$328.93	.3
		10-14	AL3Z 1015 A	\$304.15	.3
2	Cap, Center				
	Base Payload Pkg		4L3Z 1130 EA	\$48.10	
	Upgrade Payload Pkg		4L3Z 1130 FA	\$59.58	
3	Nut, Lug		2L1Z 1012 AA	\$5.41	
4	Sensor Assy, Tire Pressure		9L3Z 1A189 A	\$85.95	
5	Stem, Valve (n)		9L3Z 1700 A	\$13.84	

Included w/Tire Pressure Sensor Assy
(n) Non-Reusable Part

ALLOY WHEEL

ALLOY WHEEL 17" WHEELS

2009-10



Add to R&I Spare Wheel & Tire Assy

.2

NOTE: Wheel Replacement Requires Replacement of Pressure Sensor Valve Stem.

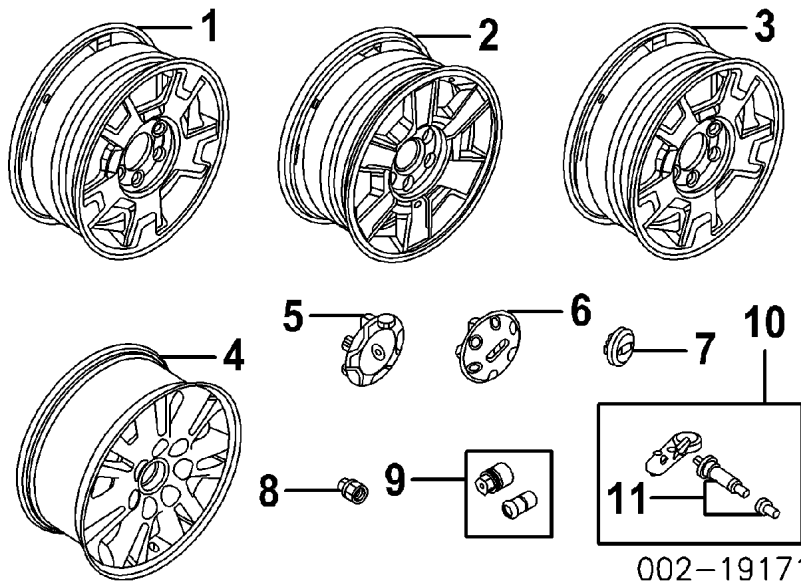
Wheel, Alloy					
1	STX Model	09	9L3Z 1007 B	\$535.25	.3
		10	AL3Z 1007 E	\$511.00	.3
2	XL Model	09	9L3Z 1007 A	\$469.75	.3
		10	AL3Z 1007 D	\$435.20	.3
3	FX4 Model		9L3Z 1007 J	\$566.88	.3
Cap, Center					
4	FX4, STX Model	09	9L3Z 1130 G	\$64.88	
		10	7L3Z 1130 B	\$80.52	
5	XL Model		9L3Z 1130 A	\$53.78	
6	Nut, Lug		2L1Z 1012 AA	\$5.41	
7	Nut Kit, Locking Lug (a)				
Dealer Installed					
Exposed Lugs					
			6L3Z 1A043 AA	\$54.99	
Non-Exposed Lugs					
			2L1Z 1A043 AA	\$54.99	
(a) Contact Dealer for Price & Availability					
8	Sensor Assy, Tire Pressure		9L3Z 1A189 A	\$85.95	
9	Stem, Valve (n)		9L3Z 1700 A	\$13.84	

Included w/Tire Pressure Sensor Assy
(n) Non-Reusable Part

ALLOY WHEEL

ALLOY WHEEL 17" WHEELS

2011-14



Add to R&I Spare Wheel & Tire Assy

.2

NOTE: Wheel Replacement Requires Replacement of Pressure Sensor Valve Stem.

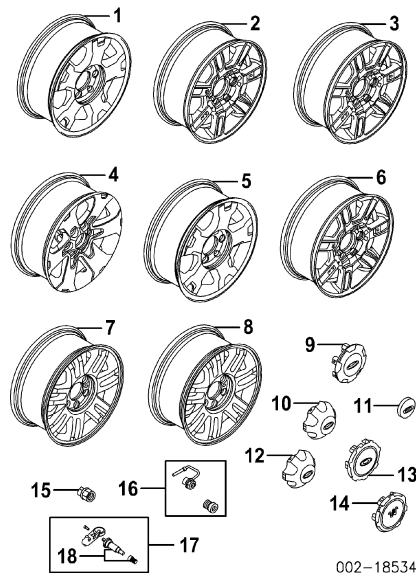
Wheel, Alloy	
Base Payload Pkg	
1	XL Model

	Decor Group Pkg	AL3Z 1007 D	\$435.20	.3
2	STX Model	AL3Z 1007 E	\$511.00	.3
3	XLT Model	AL3Z 1007 D	\$435.20	.3
4	Upgrade Payload Pkg			
	XL, Lariat Model	BL3Z 1007 C	\$562.70	.3
	XLT Model	BL3Z 1007 C	\$562.70	.3
	Cap, Center			
	Base Payload Pkg			
5	XL, XLT Model	9L3Z 1130 A	\$53.78	
6	STX Model	7L3Z 1130 B	\$80.52	
7	Upgrade Payload Pkg	BL3Z 1130 B	\$29.78	
8	Nut, Lug			
	2011	2L1Z 1012 AA	\$5.41	
	2012-14			
	Base Payload Pkg	2L1Z 1012 AA	\$5.41	
	Upgrade Payload Pkg	4L3Z 1012 A	\$6.90	
9	Nut Kit, Locking Lug (a)			
	Dealer Installed			
	Exposed Lugs	6L3Z 1A043 AA	\$54.99	
	Non-Exposed Lugs	2L1Z 1A043 AA	\$54.99	
	(a) Contact Dealer for Price & Availability			
10	Sensor Assy, Tire Pressure	9L3Z 1A189 A	\$85.95	
11	Stem, Valve (n)	9L3Z 1700 A	\$13.84	
	Included w/Tire Pressure Sensor Assy			
	(n) Non-Reusable Part			

ALLOY WHEEL

ALLOY WHEEL 18" WHEELS

2009-10



Add to R&I Spare Wheel & Tire Assy

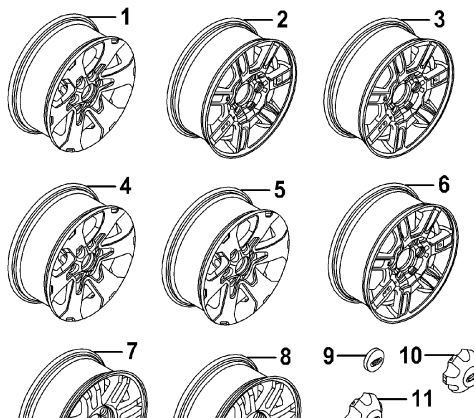
NOTE: Wheel Replacement Requires Replacement of Pressure Sensor Valve Stem.

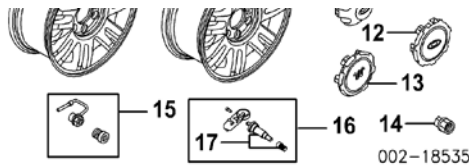
Wheel, Alloy

.2

1	STX Model Decor Group Pkg		9L3Z 1007 C	\$436.77	.3
2	XLT Model Chrome Pkg		AL3Z 1007 K	\$479.58	.3
3	XTR Model		AL3Z 1007 K	\$479.58	.3
4	FX2 Model		AL3Z 1007 J	\$298.09	.3
5	FX4 Model Lariat Model		9L3Z 1007 C	\$436.77	.3
6	w/Chrome Pkg		AL3Z 1007 K	\$479.58	.3
7	w/o Chrome Pkg	09	9L3Z 1007 D	\$592.30	.3
		10	AL3Z 1007 F	\$552.85	.3
8	King Ranch Model Cap, Center		9L3Z 1007 H	\$630.45	.3
9	FX4, STX Model		9L3Z 1130 B	\$65.87	
10	XLT, XTR Model		DL3Z 1130 C	\$46.47	
11	FX2 Model Lariat Model		AL3Z 1130 C	\$9.29	
12	w/Chrome Pkg		DL3Z 1130 C	\$46.47	
13	w/o Chrome Pkg		9L3Z 1130 C	\$46.22	
14	King Ranch Model		9L3Z 1130 D	\$58.63	
15	Nut, Lug				
	2009		2L1Z 1012 AA	\$5.41	
	2010				
	w/Chrome Wheels		4L3Z 1012 A	\$6.90	
	w/o Chrome Wheels		2L1Z 1012 AA	\$5.41	
16	Nut Kit, Locking Lug (a) Dealer Installed				
	Exposed Lugs		6L3Z 1A043 AA	\$54.99	
	Non-Exposed Lugs		2L1Z 1A043 AA	\$54.99	
	<i>(a) Contact Dealer for Price & Availability</i>				
17	Sensor Assy, Tire Pressure		9L3Z 1A189 A	\$85.95	
18	Stem, Valve (n)		9L3Z 1700 A	\$13.84	
	<i>Included w/Tire Pressure Sensor Assy</i>				
	<i>(n) Non-Reusable Part</i>				

ALLOY WHEEL ALLOY WHEEL 18" WHEELS 2011-14





Add to R&I Spare Wheel & Tire Assy

.2

NOTE: Wheel Replacement Requires Replacement of Pressure Sensor Valve Stem.

NOTE: Wheel Replacement Requires Replacement of Pressure Sensor Valve Stem.

Wheel, Alloy

1	STX Model				
	Decor Group Pkg		AL3Z 1007 J	\$298.09	.3
2	XTR Model		AL3Z 1007 K	\$479.58	.3
	XLT Model				
3	Chrome Pkg	11-12	AL3Z 1007 K	\$479.58	.3
		13-14	DL3Z 1007 A	\$814.40	.3
4	Custom Pkg		AL3Z 1007 J	\$298.09	.3
5	FX2, FX4 Model		AL3Z 1007 J	\$298.09	.3
	Lariat Model				
6	w/Chrome Pkg	11-12	AL3Z 1007 K	\$479.58	.3
		13-14	DL3Z 1007 A	\$814.40	.3
7	w/o Chrome Pkg		AL3Z 1007 F	\$552.85	.3
8	King Ranch Model		BL3Z 1007 D	\$649.02	.3
	Cap, Center				
9	STX, FX2, FX4 Model		AL3Z 1130 C	\$9.29	
10	XTR Model		DL3Z 1130 C	\$46.47	
	XLT, Lariat Model				
11	Chrome		DL3Z 1130 C	\$46.47	
12	Polished		9L3Z 1130 C	\$46.22	
13	King Ranch Model		9L3Z 1130 D	\$58.63	
14	Nut, Lug				
	Exposed Lugs		4L3Z 1012 A	\$6.90	
	Non-Exposed Lugs		2L1Z 1012 AA	\$5.41	
15	Nut Kit, Locking Lug (a)				
	Dealer Installed				
	Exposed Lugs		6L3Z 1A043 AA	\$54.99	
	Non-Exposed Lugs		2L1Z 1A043 AA	\$54.99	
	(a) Contact Dealer for Price & Availability				
16	Sensor Assy, Tire Pressure		9L3Z 1A189 A	\$85.95	
17	Stem, Valve (n)		9L3Z 1700 A	\$13.84	

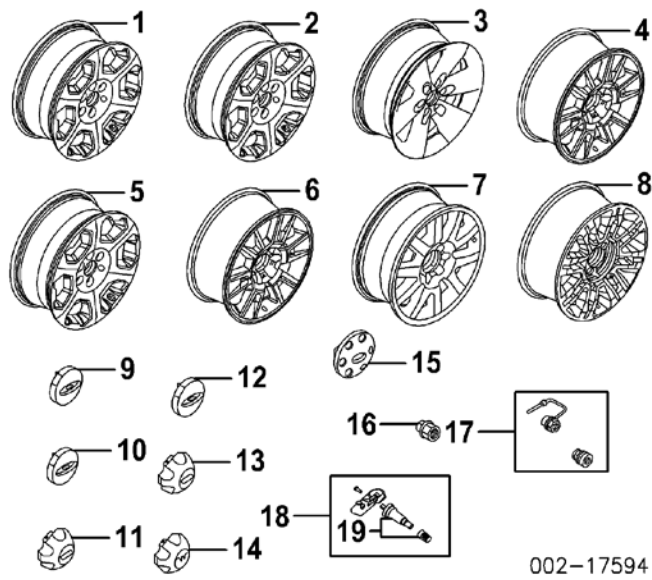
Included w/Tire Pressure Sensor Assy

(n) Non-Reusable Part

ALLOY WHEEL

ALLOY WHEEL 20" WHEELS

2009-10



Add to R&I Spare Wheel & Tire Assy

NOTE: Wheel Replacement Requires Replacement of Pressure Sensor Valve Stem.

.2

Wheel, Alloy

1	XLT Model		AL3Z 1007 L	\$976.13	.3
	w/Chrome Pkg				
2	XTR Model		AL3Z 1007 L	\$976.13	.3
3	FX2 Model		AL3Z 1007 H	\$382.33	.3
4	FX4 Model	09	9L3Z 1007 E	\$835.32	.3
		10	AL3Z 1007 G	\$835.92	.3
	Lariat Model				
5	w/Chrome Pkg		AL3Z 1007 L	\$976.13	.3
6	w/o Chrome Pkg	09	9L3Z 1007 E	\$835.32	.3
		10	AL3Z 1007 G	\$835.92	.3
7	King Ranch Model		9L3Z 1007 G	\$874.83	.3
8	Platinum Model		9L3Z 1007 F	\$855.52	.3
	Cap, Center				
9	XLT, XTR Model		7L1Z 1130 J	\$24.22	
10	FX2 Model		AL3Z 1130 B	\$11.07	
11	FX4 Model	09	DL3Z 1130 C	\$46.47	
		10	DL3Z 1130 C	\$46.47	
	Lariat Model				
12	w/Chrome Pkg		DL3Z 1130 D	\$50.12	
13	w/o Chrome Pkg	09	DL3Z 1130 C	\$46.47	
		10	DL3Z 1130 C	\$46.47	
14	King Ranch Model		DL3Z 1130 D	\$50.12	
15	Platinum Model		7L1Z 1130 D	\$50.87	
16	Nut, Lug		4L3Z 1012 A	\$6.90	
17	Nut Kit, Locking Lug (a)				
	Dealer Installed				
	Exposed Lugs		6L3Z 1A043 AA	\$54.99	
	Non-Exposed Lugs		2L1Z 1A043 AA	\$54.99	

(a) Contact Dealer for Price & Availability

18 Sensor Assy, Tire Pressure

9L3Z 1A189 A

\$85.95

19 Stem, Valve (n)

9L3Z 1700 A

\$13.84

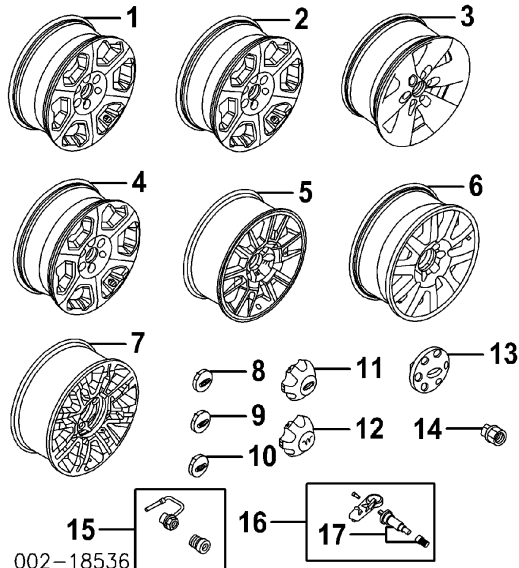
Included w/Tire Pressure Sensor Assy

(n) Non-Reusable Part

ALLOY WHEEL

ALLOY WHEEL 20" WHEELS

2011-12



Add to R&I Spare Wheel & Tire Assy

.2

NOTE: Wheel Replacement Requires Replacement of Pressure Sensor Valve Stem.

Wheel, Alloy

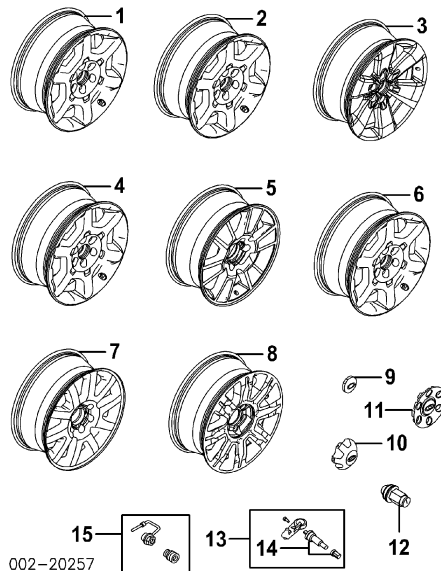
1	XLT Model			
	Chrome Pkg	AL3Z 1007 L	\$976.13	.3
2	XTR Model	AL3Z 1007 L	\$976.13	.3
3	FX2, FX4 Model			
	2011	AL3Z 1007 H	\$382.33	.3
	2012			
	w/FX Appearance Pkg	CL3Z 1007 D	\$1,003.90	.3
	w/o FX Appearance Pkg	AL3Z 1007 H	\$382.33	.3
	Lariat Model			
4	w/Chrome Pkg	AL3Z 1007 L	\$976.13	.3
5	w/o Chrome Pkg	AL3Z 1007 G	\$835.92	.3
6	King Ranch Model	9L3Z 1007 G	\$874.83	.3
7	Platinum Model	9L3Z 1007 F	\$855.52	.3
	Cap, Center			
8	XLT, XTR Model	7L1Z 1130 J	\$24.22	
9	FX2, FX4 Model			
	2011	AL3Z 1130 B	\$11.07	
	2012			
	w/FX Appearance Pkg	CL3Z 1130 B	\$46.87	
	w/o FX Appearance Pkg	AL3Z 1130 B	\$11.07	

10	Lariat Model w/Chrome Pkg	7L1Z 1130 J	\$24.22
11	w/o Chrome Pkg	DL3Z 1130 C	\$46.47
12	King Ranch Model	DL3Z 1130 D	\$50.12
13	Platinum Model	7L1Z 1130 D	\$50.87
14	Nut, Lug		
	Exposed Lugs	4L3Z 1012 A	\$6.90
	Non-Exposed Lugs	2L1Z 1012 AA	\$5.41
15	Nut Kit, Locking Lug (a) Dealer Installed		
	Exposed Lugs	6L3Z 1A043 AA	\$54.99
	Non-Exposed Lugs	2L1Z 1A043 AA	\$54.99
	<i>(a) Contact Dealer for Price & Availability</i>		
16	Sensor Assy, Tire Pressure	9L3Z 1A189 A	\$85.95
17	Stem, Valve (n)	9L3Z 1700 A	\$13.84
	<i>Included w/Tire Pressure Sensor Assy</i>		
	<i>(n) Non-Reusable Part</i>		

ALLOY WHEEL

ALLOY WHEEL 20" WHEELS

2013-14



Add to R&I Spare Wheel & Tire Assy

.2

NOTE: Wheel Replacement Requires Replacement of Pressure Sensor Valve Stem.

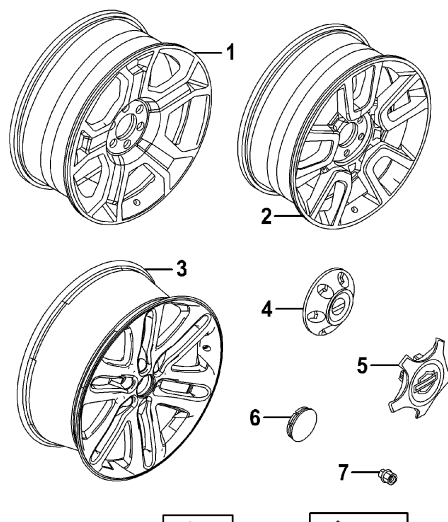
Wheel, Alloy

1	XLT Model			
	Chrome Pkg	DL3Z 1007 B	\$1,099.27	.3
2	XTR Model	DL3Z 1007 B	\$1,099.27	.3
3	FX2, FX4 Model			
	w/FX Appearance Pkg	CL3Z 1007 D	\$1,003.90	.3
	w/o FX Appearance Pkg			
	Light Stainless	AL3Z 1007 M	\$1,041.57	.3
	Dark Stainless	AL3Z 1007 H	\$382.33	.3

Lariat Model				
4	w/Chrome Pkg		DL3Z 1007 B	\$1,099.27 .3
5	w/o Chrome Pkg	13	AL3Z 1007 G	\$835.92 .3
		14	EL3Z 1007 A	\$903.03 .3
King Ranch Model				
6	w/Chrome Pkg		DL3Z 1007 B	\$1,099.27 .3
7	w/o Chrome Pkg		DL3Z 1007 E	\$840.70 .3
8	Platinum Model		9L3Z 1007 F	\$855.52 .3
Cap, Center				
9	Type 1			
	Chrome			
	XLT, XTR, Lariat Model		7L1Z 1130 J	\$24.22
	King Ranch Model		DL3Z 1130 B	\$46.87
	Painted			
	w/FX Appearance Pkg		CL3Z 1130 B	\$46.87
	w/o FX Appearance Pkg		AL3Z 1130 B	\$11.07
10	Type 2			
	Lariat Model		DL3Z 1130 C	\$46.47
	King Ranch Model		DL3Z 1130 D	\$50.12
11	Type 3		7L1Z 1130 D	\$50.87
12	Nut, Lug			
	Exposed Lugs		4L3Z 1012 A	\$6.90
	Non-Exposed Lugs		2L1Z 1012 AA	\$5.41
13	Sensor Assy, Tire Pressure		9L3Z 1A189 A	\$85.95
14	Stem, Valve (n)		9L3Z 1700 A	\$13.84
	<i>Included w/Tire Pressure Sensor Assy</i>			
	<i>(n) Non-Reusable Part</i>			
15	Nut Kit, Locking Lug (a)			
	Dealer Installed			
	Exposed Lugs		6L3Z 1A043 AA	\$54.99
	Non-Exposed Lugs		2L1Z 1A043 AA	\$54.99
	<i>(a) Contact Dealer for Price & Availability</i>			

ALLOY WHEEL

ALLOY WHEEL 22" WHEELS



Add to R&I Spare Wheel & Tire Assy

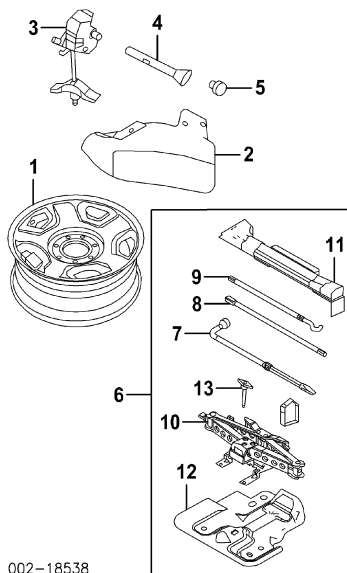
.2

NOTE: Wheel Replacement Requires Replacement of Pressure Sensor Valve Stem.

Wheel, Alloy

1	Lariat Limited Model		BL3Z 1007 B	\$1,957.25	.3
2	Harley-Davidson Model	10	AL3Z 1007 C	\$1,731.15	.3
		11	BL3Z 1007 A	\$2,028.43	.3
		12	CL3Z 1007 A	\$1,203.00	.3
3	Limited Model		DL3Z 1007 C	\$1,553.05	.3
	Cap, Center				
4	Lariat Limited Model		BL3Z 1130 A	\$66.80	
5	Harley-Davidson Model	10-11	AL3Z 1130 D	\$119.13	
		12	CL3Z 1130 A	\$76.78	
6	Limited Model		DL3Z 1130 A	\$61.78	
7	Nut, Lug				
	Lariat Limited Model		6L3Z 1120 BA	\$24.98	
	Harley-Davidson Model	10-11	2L1Z 1012 AA	\$5.41	
		12	4L3Z 1012 A	\$6.90	
	Limited Model		4L3Z 1012 A	\$6.90	
8	Sensor Assy, Tire Pressure		9L3Z 1A189 A	\$85.95	
9	Stem, Valve (n)		9L3Z 1700 A	\$13.84	
	Included w/Tire Pressure Sensor Assy (n) Non-Reusable Part				
10	Nut Kit, Locking Lug (a)				
	Dealer Installed		6L3Z 1A043 AA	\$54.99	
	(a) Contact Dealer for Price & Availability				

SPARE WHEEL & HARDWARE



002-18538

1	Wheel, Spare				
	17" Wheels				
	Base Payload Pkg		5L3Z 1015 DA	\$223.88	
	Upgrade Payload Pkg	09	7L3Z 1015 D	\$328.37	

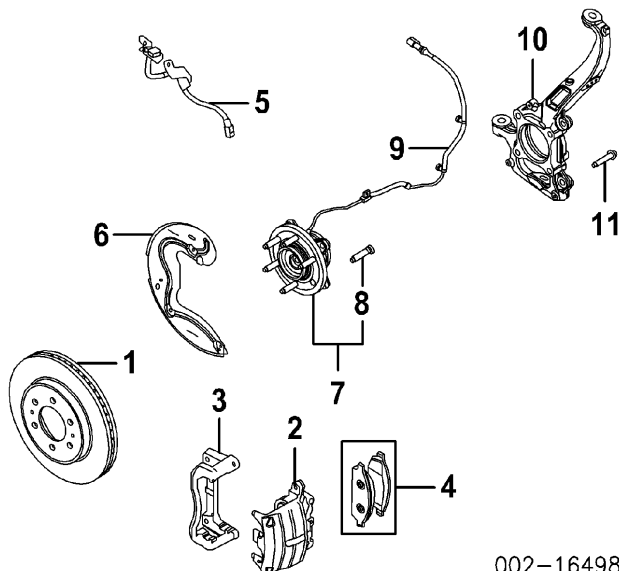
18", 20", 22" Wheels	10-14	AL3Z 1015 C	\$303.65
2 Shield, Spare Wheel		2L7Z 1015 BA	\$278.02
3 Carrier, Spare Wheel		BL3Z 1A484 A	\$88.57
4 Guide, Rod		9L3Z 1A131 A	\$131.43
5 Cylinder, Spare Wheel Lock		4L3Z 1A433 AA	\$11.85
6 Tool Set		4L3Z 1543262 BC	\$124.68
Regular Cab		BL3Z 17080 E	\$211.00
Extended Cab		BL3Z 17080 G	\$189.58
Crew Cab		BL3Z 17080 F	\$225.88
7 Wrench, Lug		AL3Z 17032 A	\$19.30
8 Rod, Extension (2)		BL3Z 17A024 A	\$29.17
9 Rod, Jack		BL3Z 17081 A	\$16.82
10 Jack		AL3Z 17080 E	\$157.83
11 Cover, Jack			
Regular Cab		9L3Z 9945626 A	\$18.10
Extended Cab		9L3Z 9945626 B	\$6.80
Crew Cab		9L3Z 9945626 C	\$80.97
12 Retainer, Jack			
Regular Cab		9L3Z 17091 A	\$14.15
Extended Cab		9L3Z 17091 B	\$12.23
Crew Cab-Serviced w/Jack Cover			
13 Bolt, Hold-Down		9L3Z 17B050 A	\$5.72

Included w/Tool Set

FRONT SUSPENSION

Use Procedure Explanation 11 with the following text.

2WD



002-16498

R&I Suspension (One Side)

R
L

2.5
2.5

O/H Suspension (Includes R&I)

One Side (Includes R&I)		R		4.3
		L		4.3
Both Sides (Includes R&I)				8.2
Adjust Front Alignment				2.4
Bleed Brake System				1.0
NOTE 1: R&I/R&R or O/H Does Not include alignment or bleed brake system.				
NOTE 2: All Parts in this section are included in overhaul unless noted otherwise.				
1 Rotor, Brake				
Base Payload Pkg	09	R	9L3Z 1125 C	\$116.63 #.6
		L	9L3Z 1125 C	\$116.63 #.6
	10-14	R	CL3Z 1125 B	\$99.97 #.6
		L	CL3Z 1125 B	\$99.97 #.6
Upgrade Payload Pkg	09	R	9L3Z 1125 D	\$116.63 #.6
		L	9L3Z 1125 D	\$116.63 #.6
	10-14	R	CL3Z 1125 A	\$116.63 #.6
		L	CL3Z 1125 A	\$116.63 #.6
#R&R Both Sides 1.0				
2 Caliper, Brake				
2009		R	7L3Z 2B120 A	\$133.95 #.5
		L	7L3Z 2B121 A	\$133.95 #.5
2010-11		R	AL3Z 2B120 B	\$111.22 #.5
		L	AL3Z 2B121 AA	\$111.22 #.5
2012		R	CL3Z 2B120 B	\$111.90 #.5
		L	CL3Z 2B121 A	\$107.28 #.5
2013				
To 5-18-13		R	CL3Z 2B120 B	\$111.90 #.5
		L	CL3Z 2B121 A	\$107.28 #.5
From 5-18-13		R	CL3Z 2B120 B	\$111.90 #.5
		L	CL3Z 2B121 B	\$111.90 #.5
2014		R	CL3Z 2B120 B	\$111.90 #.5
		L	CL3Z 2B121 B	\$111.90 #.5
3 Brkt, Caliper	09	R	9L3Z 2B292 A	\$56.20 #.5
		L	9L3Z 2B293 A	\$56.20 #.5
	10-14	R	AL3Z 2B292 A	\$66.95 #.5
		L	AL3Z 2B292 A	\$66.95 #.5
#R&R One Side Complete, R&R Both Sides .8				
4 Pad Set, Brake	09		9L3Z 2001 A	\$83.30 #1.0
	10-14		BL3Z 2001 C	\$95.15 #1.0
#Deduct .5 for Each Caliper Removed				
5 Hose, Brake	09	R	9L3Z 2078 A	\$127.82 #.3
		L	9L3Z 2078 B	\$122.65 #.3
	10-11	R	AL3Z 2078 H	\$40.38 #.3
		L	AL3Z 2078 G	\$40.80 #.3
	12-14	R	CL3Z 2078 B	\$19.55 #.3
		L	CL3Z 2078 A	\$19.55 #.3
#w/Caliper Removed Deduct .2				
6 Shield, Splash	09	R	9L3Z 2K004 A	\$11.08 #.2
		L	9L3Z 2K005 A	\$11.08 #.2
	10-14	R	9L1Z 2K004 B	\$10.08 #.2
		L	9L1Z 2K005 B	\$9.60 #.2
#w/Hub Removed				

7 Hub Assy, Front
Base Payload Pkg

09	R	9L3Z 1104 B	\$310.48	#1.1
	L	9L3Z 1104 B	\$310.48	#1.1
10-14	R	CL3Z 1104 F	\$164.23	#1.1
	L	CL3Z 1104 F	\$164.23	#1.1
09	R	9L3Z 1104 C	\$392.92	#1.1
	L	9L3Z 1104 C	\$392.92	#1.1
10-14	R	CL3Z 1104 G	\$316.43	#1.1
	L	CL3Z 1104 G	\$316.43	#1.1

#Includes R&R Rotor

8 Stud, Lug (a)

R	* W710985 S439	\$29.98
L	* W710985 S439	\$29.98

Included w/Front Hub Assy
(a) As Required

9 Sensor, Front ABS-See ABS/Brakes Section

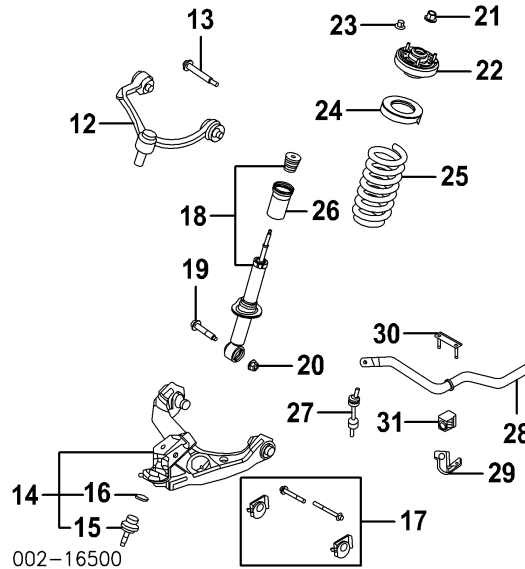
10 Knuckle, Front

09	R	9L3Z 3K185 B	\$200.62	#2.2
	L	9L3Z 3K186 B	\$226.98	#2.2
10-14	R	AL3Z 3K185 C	\$125.78	#2.2
	L	AL3Z 3K186 C	\$174.33	#2.2

#Includes R&R Hub, Rotor & Splash Shield, R&R Both Sides 4.2

11 Bolt, Hub Mtg (4/Side)

R	* W706890 S439	\$2.15
L	* W706890 S439	\$2.15



12 Arm, Upper Control

09-13	R	EL3Z 3084 A	\$143.73	#1.2
	L	EL3Z 3085 A	\$143.73	#1.2
14	R	EL3Z 3084 A	\$143.73	#1.2
	L	EL3Z 3085 A	\$143.73	#1.2

#w/Knuckle Removed Deduct .6, R&R Both Sides 2.2

13 Bolt, Upper Cont Arm (2/Side)

R	* W707841 S439	\$8.13
L	* W707841 S439	\$8.13

14 Arm Assy, Lower Control

09-13	R	9L3Z 3078 A	\$307.82	#1.6
	L	9L3Z 3079 A	\$307.82	#1.6
14	R	EL3Z 3078 A	\$143.62	#1.6
	L	EL3Z 3079 A	\$143.62	#1.6

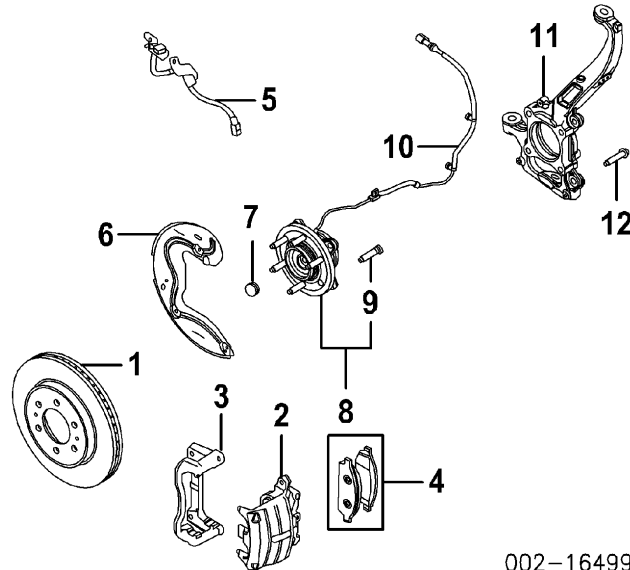
15 Joint, Lower Ball (b)	R	9L3Z 3050 A	\$84.83	#.4
	L	9L3Z 3050 A	\$84.83	#.4
#w/Knuckle Removed				
16 Seal, Ball Joint (b)	R	7L1Z 3K050 A	\$2.56	
	L	7L1Z 3K050 A	\$2.56	
(b) Included w/Lower Control Arm Assy				
17 Bolt Kit, Cam	R	7L1Z 3B236 AB	\$116.72	
	L	7L1Z 3B236 AB	\$116.72	
18 Absorber, Shock				
2009				
126" WB, 133" WB	R	AL3Z 18124 AA	\$89.98	#1.4
	L	AL3Z 18124 AA	\$89.98	#1.4
145" WB				
Base Payload Pkg	R	AL3Z 18124 BA	\$93.12	#1.4
	L	AL3Z 18124 BA	\$93.12	#1.4
Upgrade Payload Pkg	R	BL3Z 18124 C	\$91.45	#1.4
	L	BL3Z 18124 C	\$91.45	#1.4
157" WB	R	AL3Z 18124 BA	\$93.12	#1.4
	L	AL3Z 18124 BA	\$93.12	#1.4
163" WB	R	BL3Z 18124 C	\$91.45	#1.4
	L	BL3Z 18124 C	\$91.45	#1.4
2010				
w/Sport Tuned Susp	R	AL3Z 18124 RB	\$89.85	#1.4
	L	AL3Z 18124 RB	\$89.85	#1.4
w/o Sport Tuned Susp				
126" WB	R	AL3Z 18124 AA	\$89.98	#1.4
	L	AL3Z 18124 AA	\$89.98	#1.4
145" WB				
Base Payload Pkg	R	AL3Z 18124 BA	\$93.12	#1.4
	L	AL3Z 18124 BA	\$93.12	#1.4
Upgrade Payload Pkg	R	BL3Z 18124 C	\$91.45	#1.4
	L	BL3Z 18124 C	\$91.45	#1.4
157" WB	R	AL3Z 18124 BA	\$93.12	#1.4
	L	AL3Z 18124 BA	\$93.12	#1.4
163" WB	R	BL3Z 18124 C	\$91.45	#1.4
	L	BL3Z 18124 C	\$91.45	#1.4
2011				
w/Sport Tuned Susp	R	AL3Z 18124 RB	\$89.85	#1.4
	L	AL3Z 18124 RB	\$89.85	#1.4
w/o Sport Tuned Susp				
126" WB	R	AL3Z 18124 AA	\$89.98	#1.4
	L	AL3Z 18124 AA	\$89.98	#1.4
145" WB				
Base Payload Pkg	R	AL3Z 18124 BA	\$93.12	#1.4
	L	AL3Z 18124 BA	\$93.12	#1.4
Upgrade Payload Pkg	R	BL3Z 18124 C	\$91.45	#1.4
	L	BL3Z 18124 C	\$91.45	#1.4
157" WB	R	AL3Z 18124 BA	\$93.12	#1.4
	L	AL3Z 18124 BA	\$93.12	#1.4
163" WB	R	BL3Z 18124 C	\$91.45	#1.4
	L	BL3Z 18124 C	\$91.45	#1.4

2012-13		L	BL3Z 18124 C	\$91.45	#1.4
w/Sport Tuned Susp		R	AL3Z 18124 RB	\$89.85	#1.4
		L	AL3Z 18124 RB	\$89.85	#1.4
w/o Sport Tuned Susp					
126" WB		R	AL3Z 18124 AA	\$89.98	#1.4
		L	AL3Z 18124 AA	\$89.98	#1.4
145" WB					
Base Payload Pkg		R	AL3Z 18124 BA	\$93.12	#1.4
		L	AL3Z 18124 BA	\$93.12	#1.4
Upgrade Payload Pkg		R	BL3Z 18124 C	\$91.45	#1.4
		L	BL3Z 18124 C	\$91.45	#1.4
157" WB		R	AL3Z 18124 BA	\$93.12	#1.4
		L	AL3Z 18124 BA	\$93.12	#1.4
163" WB		R	CL3Z 18124 A	\$63.85	#1.4
		L	CL3Z 18124 A	\$63.85	#1.4
2014 (a)		R	EL3Z 18124 A	\$73.47	#1.4
		L	EL3Z 18124 A	\$73.47	#1.4
(a) Order by Application					
19 Bolt, Shock Mtg	09-13	R	* W712682 S439	\$14.99	
		L	* W712682 S439	\$14.99	
20 Nut, Shock Mtg					
2009-13		R	* W520217 S441	\$4.29	
		L	* W520217 S441	\$4.29	
2014, (2/Side)		R	* W520214 S440	\$5.62	
		L	* W520214 S440	\$5.62	
21 Nut, Shock Top		R	* W712134 S440	\$4.28	
		L	* W712134 S440	\$4.28	
22 Cap, Spring	09	R	7L1Z 18A099 A	\$126.35	#1.4
		L	7L1Z 18A099 A	\$126.35	#1.4
	10-14	R	7L1Z 18A099 E	\$37.20	#1.4
		L	7L1Z 18A099 E	\$37.20	#1.4
23 Nut, Cap (3/Side)		R	* W712334 S442	\$1.07	
		L	* W712334 S442	\$1.07	
24 Insulator, Spring		R	7L1Z 5415 A	\$47.05	#1.4
		L	7L1Z 5415 A	\$47.05	#1.4
25 Spring, Coil (a)		R	8L3Z 5310 A	\$130.08	#1.4
		L	8L3Z 5310 A	\$130.08	#1.4
(a) Order by Application					
26 Cover, Dust	09	R	7L1Z 18A047 A	\$38.27	#1.4
		L	7L1Z 18A047 A	\$38.27	#1.4
	10-14	R	7L1Z 18A047 C	\$34.08	#1.4
		L	7L1Z 18A047 C	\$34.08	#1.4
#R&R One Side Complete, w/Lower Control Arm Removed Deduct .9					
27 Link, Stabilizer		R	7L1Z 5K483 B	\$68.30	#.4
		L	7L1Z 5K483 B	\$68.30	#.4
#Not Included in O/H					
28 Bar, Stabilizer			9L3Z 5482 C	\$164.70	#1.0
#Includes R&R Stabilizer Links, Brackets & Bushings, Not Included in O/H					
29 Bracket, Stabilizer		R	7L1Z 5486 A	\$12.07	#

30 Plate, Bolt	L	7L1Z 5486 A	\$12.07	#
	R	* W717136 S439	\$1.03	#
	L	* W717136 S439	\$1.03	#
31 Bushing, Stabilizer	R	9L3Z 5484 B	\$14.93	#
	L	9L3Z 5484 B	\$14.93	#

#Not Included in O/H

4WD



002-16499

R&I Suspension (One Side)	R			2.8
	L			2.8
O/H Suspension (Includes R&I)				
One Side (Includes R&I)	R			4.4
	L			4.4
Both Sides (Includes R&I)				8.4
Adjust Front Alignment				2.4
Bleed Brake System				1.0

NOTE 1: R&I/R&R or O/H Does Not include alignment or bleed brake system.

NOTE 2: All Parts in this section are included in overhaul unless noted otherwise.

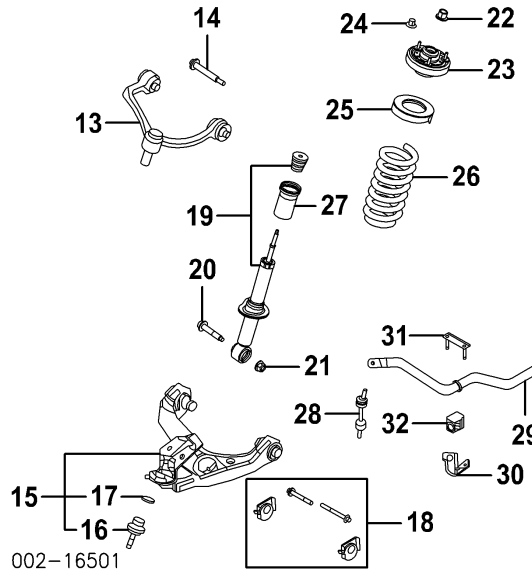
1 Rotor, Brake				
Base Payload Pkg	09	R	9L3Z 1125 C	\$116.63 #.6
		L	9L3Z 1125 C	\$116.63 #.6
	10-14	R	CL3Z 1125 B	\$99.97 #.6
		L	CL3Z 1125 B	\$99.97 #.6
Upgrade Payload Pkg	09	R	9L3Z 1125 D	\$116.63 #.6
		L	9L3Z 1125 D	\$116.63 #.6
	10-14	R	CL3Z 1125 A	\$116.63 #.6
		L	CL3Z 1125 A	\$116.63 #.6

#R&R Both 1.0

2 Caliper, Brake				
2009		R	7L3Z 2B120 A	\$133.95 #.5
		L	7L3Z 2B121 A	\$133.95 #.5
2010-11		R	AL3Z 2B120 B	\$111.22 #.5

	L	AL3Z 2B121 AA	\$111.22	#.5	
2012	R	CL3Z 2B120 B	\$111.90	#.5	
	L	CL3Z 2B121 A	\$107.28	#.5	
2013					
To 5-18-13	R	CL3Z 2B120 B	\$111.90	#.5	
	L	CL3Z 2B121 A	\$107.28	#.5	
From 5-18-13	R	CL3Z 2B120 B	\$111.90	#.5	
	L	CL3Z 2B121 B	\$111.90	#.5	
2014	R	CL3Z 2B120 B	\$111.90	#.5	
	L	CL3Z 2B121 B	\$111.90	#.5	
3 Brkt, Caliper	09	R	9L3Z 2B292 A	\$56.20	#.5
		L	9L3Z 2B293 A	\$56.20	#.5
	10-14	R	AL3Z 2B292 A	\$66.95	#.5
		L	AL3Z 2B292 A	\$66.95	#.5
#R&R One Side Complete, R&R Both Sides .8					
4 Pad Set, Brake	09		9L3Z 2001 A	\$83.30	#1.0
	10-14		BL3Z 2001 C	\$95.15	#1.0
#Deduct .5 for Each Caliper Removed					
5 Hose, Brake	09	R	9L3Z 2078 A	\$127.82	#.3
		L	9L3Z 2078 B	\$122.65	#.3
	10-11	R	AL3Z 2078 H	\$40.38	#.3
		L	AL3Z 2078 G	\$40.80	#.3
	12-14	R	CL3Z 2078 B	\$19.55	#.3
		L	CL3Z 2078 A	\$19.55	#.3
#w/Caliper Removed Deduct .2					
6 Shield, Splash	09	R	9L3Z 2K004 A	\$11.08	#.2
		L	9L3Z 2K005 A	\$11.08	#.2
	10-14	R	9L1Z 2K004 B	\$10.08	#.2
		L	9L1Z 2K005 B	\$9.60	#.2
#w/Hub Removed					
Nut, Axle-See Front Drive Axle Section					
7 Cap, Grease		R	9L1Z 1131 A	\$8.48	
		L	9L1Z 1131 A	\$8.48	
8 Hub Assy, Front					
Base Payload Pkg	09-10	R	9L3Z 1104 A	\$361.10	#1.3
		L	9L3Z 1104 A	\$361.10	#1.3
	11-14	R	CL3Z 1104 E	\$228.77	#1.3
		L	CL3Z 1104 E	\$228.77	#1.3
Upgrade Payload Pkg	09-10	R	9L3Z 1104 C	\$392.92	#1.3
		L	9L3Z 1104 C	\$392.92	#1.3
	11-14	R	CL3Z 1104 G	\$316.43	#1.3
		L	CL3Z 1104 G	\$316.43	#1.3
#Includes R&R Rotor, R&R Both Sides 2.4					
9 Stud, Lug (a)		R	* W710985 S439	\$29.98	
		L	* W710985 S439	\$29.98	
(a) As Required					
Seal, Hub		R	2L1Z 1S177 AA	\$6.92	
		L	2L1Z 1S177 AA	\$6.92	
Included w/Front Hub Assy					
10 Sensor, Front ABS-See ABS/Brakes Section					
11 Knuckle, Front	09	R	9L3Z 3K185 A	\$200.62	#2.4
		L	9L3Z 3K186 A	\$200.62	#2.4

	10-14	R	AL3Z 3K185 B	\$132.73	#2.4
		L	AL3Z 3K186 B	\$135.43	#2.4
<i>#Includes R&R Rotor, Hub & Splash Shield, R&R Both Sides 4.6</i>					
12 Bolt, Hub Mtg (4/Side)		R	* W706890 S439	\$2.15	
		L	* W706890 S439	\$2.15	



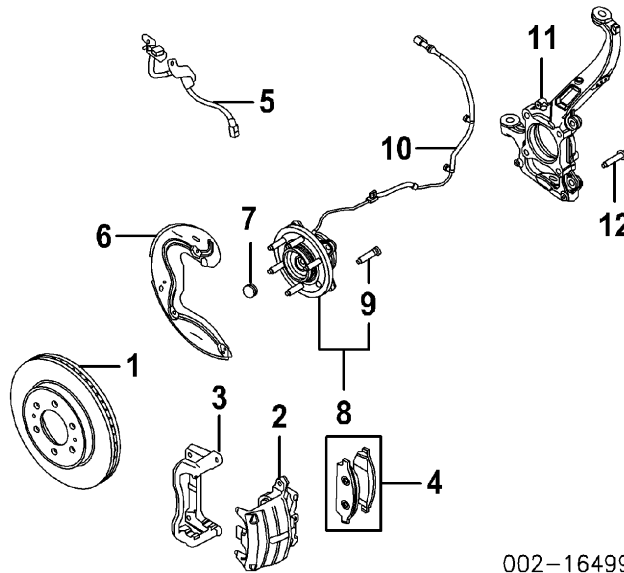
13 Arm, Upper Control	09-13	R	EL3Z 3084 A	\$143.73	#1.2
		L	EL3Z 3085 A	\$143.73	#1.2
	14	R	EL3Z 3084 A	\$143.73	#1.2
		L	EL3Z 3085 A	\$143.73	#1.2
<i>#w/Knuckle Removed Deduct .6, R&R Both 2.2</i>					
14 Bolt, Upper Cont Arm (2/Side)		R	* W707841 S439	\$8.13	
		L	* W707841 S439	\$8.13	
15 Arm Assy, Lower Control	09-13	R	9L3Z 3078 A	\$307.82	#1.9
		L	9L3Z 3079 A	\$307.82	#1.9
	14	R	EL3Z 3078 A	\$143.62	#1.9
		L	EL3Z 3079 A	\$143.62	#1.9
<i>#w/Knuckle Removed Deduct 1.0</i>					
16 Joint, Lower Ball (b)		R	9L3Z 3050 A	\$84.83	#.4
		L	9L3Z 3050 A	\$84.83	#.4
<i>#w/Knuckle Removed</i>					
17 Seal, Ball Joint (b)		R	7L1Z 3K050 A	\$2.56	
		L	7L1Z 3K050 A	\$2.56	
<i>(b) Included w/Lower Control Arm Assy</i>					
18 Bolt Kit, Cam		R	7L1Z 3B236 AB	\$116.72	
		L	7L1Z 3B236 AB	\$116.72	
19 Absorber, Shock					
2009-11					
Standard					
126" WB, 133" WB		R	AL3Z 18124 DA	\$93.12	#1.4
		L	AL3Z 18124 DA	\$93.12	#1.4
145" WB					
Base Payload Pkg		R	AL3Z 18124 EA	\$89.72	#1.4
		L	AL3Z 18124 EA	\$89.72	#1.4

Upgrade Payload Pkg		R	BL3Z 18124 F	\$91.45	#1.4
		L	BL3Z 18124 F	\$91.45	#1.4
157" WB		R	AL3Z 18124 EA	\$89.72	#1.4
		L	AL3Z 18124 EA	\$89.72	#1.4
163" WB		R	BL3Z 18124 F	\$91.45	#1.4
		L	BL3Z 18124 F	\$91.45	#1.4
Premium		R	AL3Z 18124 GA	\$93.12	#1.4
		L	AL3Z 18124 GA	\$93.12	#1.4
2012-13					
Standard					
126" WB		R	AL3Z 18124 DA	\$93.12	#1.4
		L	AL3Z 18124 DA	\$93.12	#1.4
145" WB					
Base Payload Pkg		R	AL3Z 18124 EA	\$89.72	#1.4
		L	AL3Z 18124 EA	\$89.72	#1.4
Upgrade Payload Pkg		R	BL3Z 18124 F	\$91.45	#1.4
		L	BL3Z 18124 F	\$91.45	#1.4
157" WB		R	AL3Z 18124 EA	\$89.72	#1.4
		L	AL3Z 18124 EA	\$89.72	#1.4
163" WB					
Base Payload Pkg		R	CL3Z 18124 B	\$63.85	#1.4
		L	CL3Z 18124 B	\$63.85	#1.4
Upgrade Payload Pkg		R	BL3Z 18124 F	\$91.45	#1.4
		L	BL3Z 18124 F	\$91.45	#1.4
Premium		R	AL3Z 18124 GA	\$93.12	#1.4
		L	AL3Z 18124 GA	\$93.12	#1.4
2014 (a)		R	EL3Z 18124 L	\$73.47	#1.4
		L	EL3Z 18124 L	\$73.47	#1.4
(a) Order by Application					
20 Bolt, Shock Mtg	09-13	R	* W712682 S439	\$14.99	
		L	* W712682 S439	\$14.99	
21 Nut, Shock Mtg					
2009-13		R	* W520217 S441	\$4.29	
		L	* W520217 S441	\$4.29	
2014, (2/Side)		R	* W520214 S440	\$5.62	
		L	* W520214 S440	\$5.62	
22 Nut, Shock Top		R	* W712134 S440	\$4.28	
		L	* W712134 S440	\$4.28	
23 Cap, Spring	09	R	7L1Z 18A099 A	\$126.35	#1.4
		L	7L1Z 18A099 A	\$126.35	#1.4
	10-14	R	7L1Z 18A099 E	\$37.20	#1.4
		L	7L1Z 18A099 E	\$37.20	#1.4
24 Nut, Cap (3/Side)		R	* W712334 S442	\$1.07	
		L	* W712334 S442	\$1.07	
25 Insulator, Spring		R	7L1Z 5415 A	\$47.05	#1.4
		L	7L1Z 5415 A	\$47.05	#1.4
26 Spring, Coil (a)		R	8L3Z 5310 Y	\$113.77	#1.4
		L	8L3Z 5310 Y	\$113.77	#1.4
(a) Order by Application					
27 Cover, Dust	09	R	7L1Z 18A047 A	\$38.27	#1.4
		L	7L1Z 18A047 A	\$38.27	#1.4

	10-14	R	7L1Z 18A047 C	\$34.08	#1.4
		L	7L1Z 18A047 C	\$34.08	#1.4
#R&R One Side Complete, w/Lower Control Arm Removed Deduct .9					
28	Link, Stabilizer	R	9L3Z 5K483 D	\$62.25	#.4
		L	9L3Z 5K483 D	\$62.25	#.4
#Not Included in O/H					
29	Bar, Stabilizer		9L3Z 5482 C	\$164.70	#1.0
#Includes R&R Stabilizer Links, Brackets & Bushings, Not Included in O/H					
30	Bracket, Stabilizer	R	7L1Z 5486 A	\$12.07	#
		L	7L1Z 5486 A	\$12.07	#
31	Plate, Bolt	R	* W717136 S439	\$1.03	#
		L	* W717136 S439	\$1.03	#
32	Bushing, Stabilizer	R	9L3Z 5484 B	\$14.93	#
		L	9L3Z 5484 B	\$14.93	#

#Not Included in O/H

AWD



002-16499

R&I Suspension

R	2.8
L	2.8

O/H Suspension (Includes R&I)

One Side (Includes R&I)

R	4.4
L	4.4

Both Sides (Includes R&I)

Adjust Front Alignment

Bleed Brake System

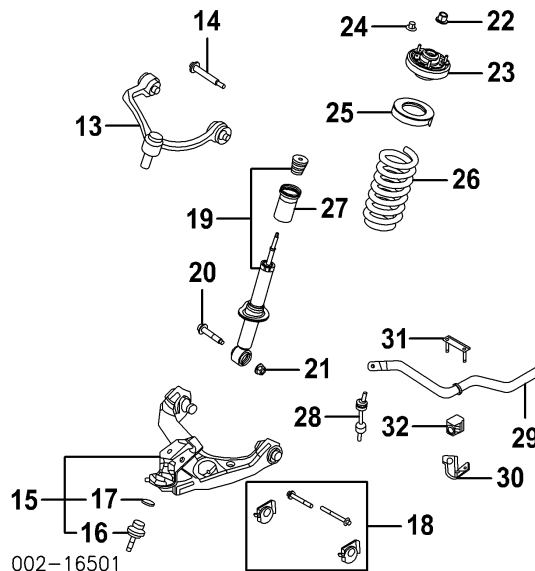
8.4
2.4
1.0

NOTE 1: R&I/R&R or O/H Does Not include alignment or bleed
brake system.

NOTE 2: All Parts in this section are included in overhaul unless
noted otherwise.

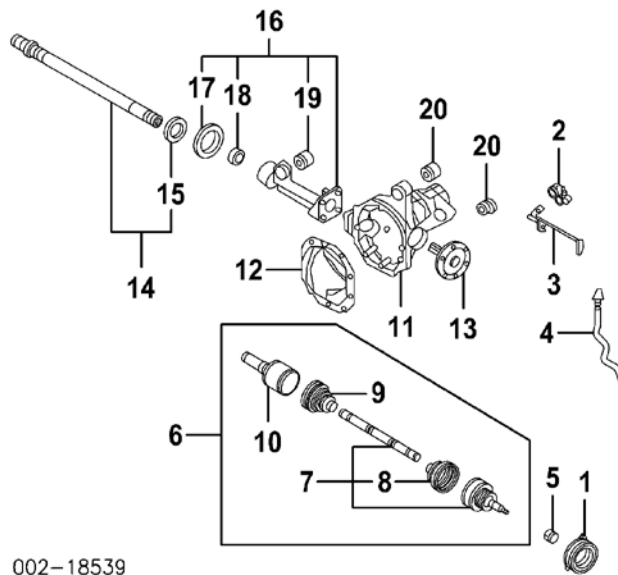
1	Rotor, Brake	R	CL3Z 1125 B	\$99.97	#.6	
		L	CL3Z 1125 B	\$99.97	#.6	
#R&R Both 1.0						
2	Caliper, Brake	10-11	R	AL3Z 2B120 B	\$111.22	#.5

		L	AL3Z 2B120 B	\$111.22	#.5
	12	R	CL3Z 2B120 B	\$111.90	#.5
		L	CL3Z 2B121 A	\$107.28	#.5
3 Brkt, Caliper		R	AL3Z 2B292 A	\$66.95	#.5
		L	AL3Z 2B292 A	\$66.95	#.5
	#R&R One Side Complete, R&R Both Sides .8				
4 Pad Set, Brake			BL3Z 2001 C	\$95.15	#1.0
	#Deduct .5 for Each Caliper Removed				
5 Hose, Brake	10-11	R	AL3Z 2078 H	\$40.38	#.3
		L	AL3Z 2078 G	\$40.80	#.3
	12	R	CL3Z 2078 B	\$19.55	#.3
		L	CL3Z 2078 A	\$19.55	#.3
	#w/Caliper Removed Deduct .2				
6 Shield, Splash		R	9L1Z 2K004 B	\$10.08	#.2
		L	9L1Z 2K005 B	\$9.60	#.2
	#w/Hub Removed				
	Nut, Axle-See Front Drive Axle Section				
7 Cap, Grease		R	9L1Z 1131 A	\$8.48	
		L	9L1Z 1131 A	\$8.48	
8 Hub Assy, Front	10	R	9L3Z 1104 A	\$361.10	#1.3
		L	9L3Z 1104 A	\$361.10	#1.3
	11-12	R	CL3Z 1104 E	\$228.77	#1.3
		L	CL3Z 1104 E	\$228.77	#1.3
	#Includes R&R Rotor, R&R Both Sides 2.4				
9 Stud, Lug (6/Side)		R	* W710985 S439	\$29.98	
		L	* W710985 S439	\$29.98	
	Included w/Front Hub Assy				
10 Sensor, Front ABS-See ABS/Brakes Section					
11 Knuckle, Front		R	AL3Z 3K185 B	\$132.73	#2.4
		L	AL3Z 3K186 B	\$135.43	#2.4
	#Includes R&R Rotor, Hub & Splash Shield, R&R Both Sides 4.6				
12 Bolt, Hub Mtg (4/Side)		R	* W706890 S439	\$2.15	
		L	* W706890 S439	\$2.15	



13 Arm, Upper Control	R	EL3Z 3084 A	\$143.73	#1.2
	L	EL3Z 3085 A	\$143.73	#1.2
#w/Knuckle Removed Deduct .6, R&R Both 2.2				
14 Bolt, Upper Cont Arm (2/Side)	R	* W707841 S439	\$8.13	
	L	* W707841 S439	\$8.13	
15 Arm Assy, Lower Control	R	9L3Z 3078 A	\$307.82	#1.9
	L	9L3Z 3079 A	\$307.82	#1.9
#w/Knuckle Removed Deduct 1.0				
16 Joint, Lower Ball (b)	R	9L3Z 3050 A	\$84.83	#.4
	L	9L3Z 3050 A	\$84.83	#.4
#w/Knuckle Removed				
17 Seal, Ball Joint (b)	R	7L1Z 3K050 A	\$2.56	
	L	7L1Z 3K050 A	\$2.56	
(b) Included w/Lower Control Arm Assy				
18 Bolt Kit, Cam	R	7L1Z 3B236 AB	\$116.72	
	L	7L1Z 3B236 AB	\$116.72	
19 Absorber, Shock (a)	R	AL3Z 18124 SB	\$92.97	#1.4
	L	AL3Z 18124 SB	\$92.97	#1.4
(a) Order by Application				
20 Bolt, Shock Mtg	R	* W712682 S439	\$14.99	
	L	* W712682 S439	\$14.99	
21 Nut, Shock Mtg	R	* W520217 S441	\$4.29	
	L	* W520217 S441	\$4.29	
22 Nut, Shock Top	R	* W520213 S440	\$3.74	
	L	* W520213 S440	\$3.74	
23 Cap, Spring	R	7L1Z 18A099 E	\$37.20	#1.4
	L	7L1Z 18A099 E	\$37.20	#1.4
24 Nut, Cap (3/Side)	R	* W712334 S442	\$1.07	
	L	* W712334 S442	\$1.07	
25 Insulator, Spring	R	7L1Z 5415 A	\$47.05	#1.4
	L	7L1Z 5415 A	\$47.05	#1.4
26 Spring, Coil (a)	R	8L3Z 5310 Y	\$113.77	#1.4
	L	8L3Z 5310 Y	\$113.77	#1.4
(a) Order by Application				
27 Cover, Dust	R	7L1Z 18A047 C	\$34.08	#1.4
	L	7L1Z 18A047 C	\$34.08	#1.4
#R&R One Side Complete, w/Lower Control Arm Removed Deduct .9				
28 Link, Stabilizer	R	9L3Z 5K483 D	\$62.25	#.4
	L	9L3Z 5K483 D	\$62.25	#.4
#Not Included in O/H				
29 Bar, Stabilizer		9L3Z 5482 C	\$164.70	#1.0
#Includes R&R Stabilizer Links, Brackets & Bushings, Not Included in O/H				
30 Bracket, Stabilizer	R	7L1Z 5486 A	\$12.07	#
	L	7L1Z 5486 A	\$12.07	#
31 Plate, Bolt	R	* W717136 S439	\$1.03	#
	L	* W717136 S439	\$1.03	#
32 Bushing, Stabilizer	R	9L3Z 5484 B	\$14.93	#
	L	9L3Z 5484 B	\$14.93	#
#Not Included in O/H				

FRONT DRIVE AXLE



002-18539

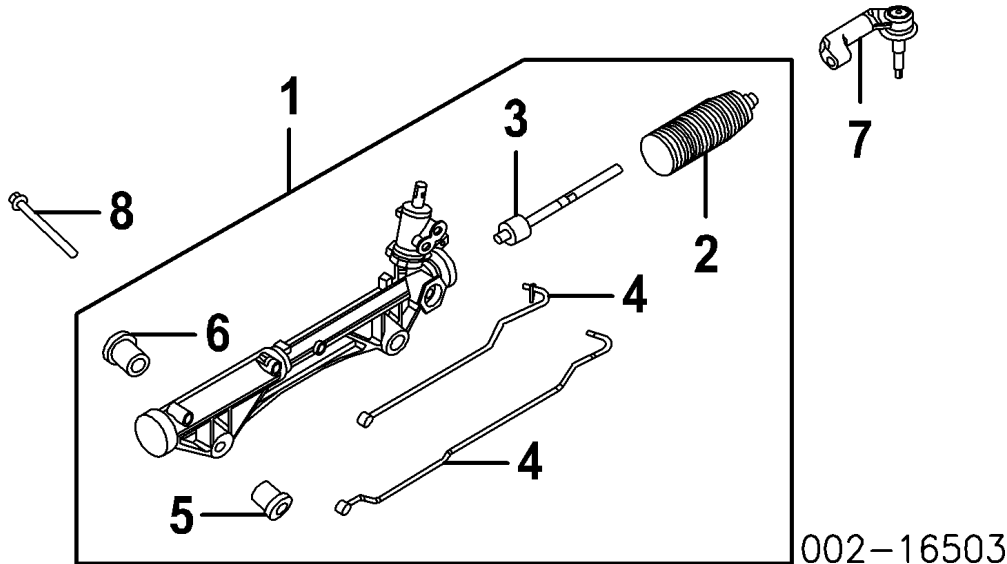
R&I Front Axle Assy
R&I Drive Axle Assy

		R			4.3
		L			#.6
					#.6
	#w/Necessary Suspension Components Removed				
1	Actuator, Auto Lock	R	7L1Z 3C247 A	\$160.98	#
		L	7L1Z 3C247 A	\$160.98	#
	#Included in R&R Drive Axle				
2	Solenoid, Auto Lock 2009				
	w/Bracket		6L3Z 9E441 A	\$41.26	.5
	w/o Bracket		6L3Z 9H465 B	\$58.33	.5
	2010-14		7L1Z 9H465 B	\$21.07	.5
3	Tube, Solenoid	09	8L1Z 3A788 A	\$20.43	.3
		10	AL3Z 3A788 A	\$13.77	.3
		11-14	BL3Z 3A788 A	\$38.32	.3
4	Hose, Vacuum	09	7L3Z 7A785 A	\$77.73	
		10	AL3Z 7A785 F	\$87.13	
		11-14	BL3Z 7A785 A	\$42.55	
5	Nut, Axle	R	* N802827 S440	\$1.03	
		L	* N802827 S440	\$1.03	
6	Axle Assy, Drive	R	AL1Z 3A428 B	\$259.40	#.6
		L	AL1Z 3A427 B	\$238.53	#.6
	#w/Necessary Suspension Components Removed				
7	Joint Assy, Outer	R	AL1Z 3B436 A	\$261.53	
		L	AL1Z 3B436 A	\$261.53	
8	Boot Kit, Outer (b)	R	2L1Z 3A331 AA	\$51.05	#.5
		L	2L1Z 3A331 AA	\$51.05	#.5
	(b) Included w/Outer Joint Assy				
	#w/Drive Axle Assy Removed				
9	Boot Kit, Inner	R	7L1Z 3A331 A	\$59.42	#.5
		L	7L1Z 3A331 A	\$59.42	#.5
10	Joint, Inner	09-10	R AL1Z 3B414 A	\$275.57	#.5
			L AL1Z 3B414 B	\$242.13	#.5

	11-14	R	AL1Z 3B414 A	\$275.57	#.5
		L	AL1Z 3B414 B	\$242.13	#.5
Included w/Drive Axle Assy #R&R One Side Complete, w/Drive Axle Assy Removed					
11	Case, Differential				
	2009-10		CL3Z 3010 A	\$207.62	#5.7
	2011-14				
	3.31, 3.55, 3.73 Axle Ratio		CL3Z 3010 A	\$207.62	#5.7
	4.10 Axle Ratio		BL3Z 3010 B	\$574.58	#5.7
#Includes R&I/R&R Drive Axle Assy					
12	Cover, Differential		8L1Z 4033 A	\$28.07	#1.7
#Included in R&R Differential					
13	Axle, Stub	L	2L3Z 3220 AB	\$148.35	#.4
14	Shaft Assy, Inner	R	7L1Z 3219 A	\$334.30	#.4
#w/Drive Axle Removed					
15	Shield, Dust (d)	R	6L3Z 3A379 AA	\$12.98	
(d) Included w/Inner Shaft Assy					
16	Tube Assy, Axle	R	9L1Z 4K206 A	\$205.92	#1.0
#w/Drive Axle Removed					
17	Seal, Axle (c)	R	AL3Z 4B416 A	\$32.43	
		L	AL3Z 4B416 A	\$32.43	
18	Bearing, Inner (c)	R	F65Z 4B413 A1A	\$17.12	
19	Bushing, Right Mtg (c)	R	7L1Z 3A443 B	\$28.22	#.3
(c) Included w/Axle Tube Assy					
20	Bushing, Diff'l Mtg (2)		7L1Z 3A443 B	\$28.22	#.3
#w/Differential Removed					

FRONT STEERING LINKAGE/GEAR

2009-10



R&I Steering Gear Assy

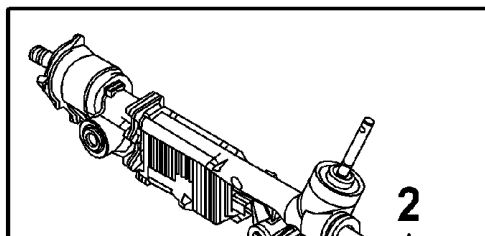
NOTE: R&R Does Not include adjust wheel alignment.

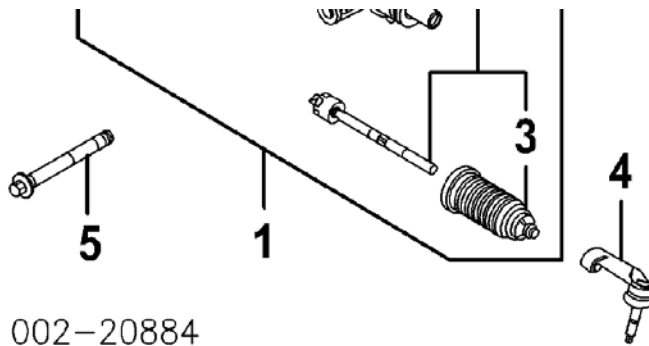
1 Gear Assy, Steering

3.0

Regular Cab				
New		AL3Z 3504 BRM	\$582.14	3.4
Remanufactured		AL3Z 3504 BRM	\$582.14	3.4
Extended Cab				
133" WB				
New	09	AL3Z 3504 BRM	\$582.14	3.4
Remanufactured	09	AL3Z 3504 BRM	\$582.14	3.4
145" WB				
2009				
2WD				
New		AL3Z 3504 C	\$491.31	3.4
Remanufactured		AL3Z 3504 CRM	\$417.06	3.4
4WD				
New		AL3Z 3504 BRM	\$582.14	3.4
Remanufactured		AL3Z 3504 BRM	\$582.14	3.4
2010				
New		AL3Z 3504 BRM	\$582.14	3.4
Remanufactured		AL3Z 3504 BRM	\$582.14	3.4
163" WB				
New		AL3Z 3504 C	\$491.31	3.4
Remanufactured		AL3Z 3504 CRM	\$417.06	3.4
Crew Cab				
New		AL3Z 3504 C	\$491.31	3.4
Remanufactured		AL3Z 3504 CRM	\$417.06	3.4
2 Boot, Steering Gear	R	7L1Z 3332 AA	\$26.12	#.8
	L	7L1Z 3332 AA	\$26.12	#.8
3 Rod, Inner Tie	R	9L3Z 3280 A	\$47.45	#.8
	L	9L3Z 3280 A	\$47.45	#.8
		<i>#R&R One Side Complete, Includes R&R Outer Tie Rod End</i>		
4 Tube, Steering Gear	R	9L3Z 3A714 A	\$24.77	
	L	9L3Z 3A717 A	\$23.95	
Insulator, Gear Mtg				
5 Front	R	7L1Z 3C716 D	\$62.98	
	L	7L1Z 3C716 D	\$62.98	
6 Rear	R	7L1Z 3C716 C	\$62.98	
	L	7L1Z 3C716 C	\$62.98	
		<i>Included w/Steering Gear Assy</i>		
7 End, Tie Rod	R	7L1Z 3A130 R	\$149.25	.3
	L	7L1Z 3A130 L	\$149.25	.3
8 Bolt, Gear Mtg	R	* W711590 S439	\$18.76	
	L	* W711590 S439	\$18.76	

2011-14 2011-14 ELECTRIC





002-20884

R&I Steering Gear Assy

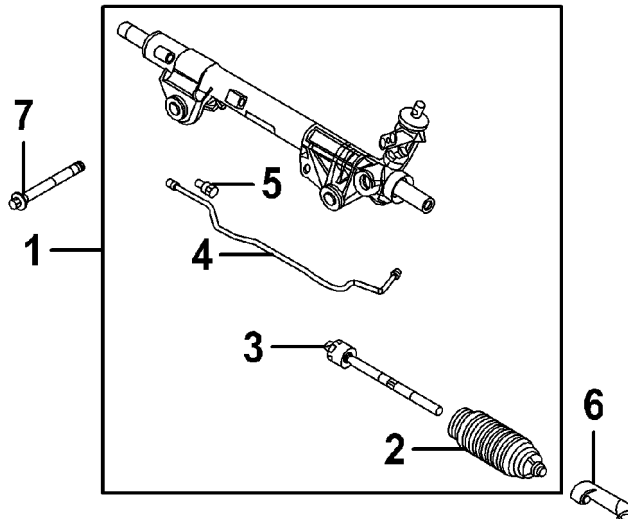
3.0

NOTE: R&R Does Not include adjust wheel alignment.

1 Gear Assy, Steering					
Regular Cab	11-13	DL3Z 3504 AE	\$1,095.11	3.4	
	14	EL3Z 3504 AE	\$1,046.95	3.4	
Extended Cab, Crew Cab					
w/Load Leveling Towing	11-13	DL3Z 3504 AE	\$1,095.11	3.4	
	14	EL3Z 3504 AE	\$1,046.95	3.4	
w/o Load Leveling Towing	11-13	DL3Z 3504 BE	\$1,074.02	3.4	
	14	EL3Z 3504 BE	\$1,074.02	3.4	
2 Rod Assy, Inner Tie					
		R	BL3Z 3280 A	\$55.85	#.8
		L	BL3Z 3280 A	\$55.85	#.8
#Includes R&R Tie Rod End					
3 Boot, Dust (b)					
		R	BL3Z 3332 A	\$57.70	
		L	BL3Z 3332 A	\$57.70	
(b) Included w/Inner Tie Rod Assy Included w/Steering Gear Assy					
4 End, Tie Rod					
		R	7L1Z 3A130 R	\$149.25	.3
		L	7L1Z 3A130 L	\$149.25	.3
5 Bolt, Mounting					
		R	* W715436 S439	\$7.50	
		L	* W715436 S439	\$7.50	

2011-14

2011-14 HYDRAULIC





R&I Steering Gear Assy

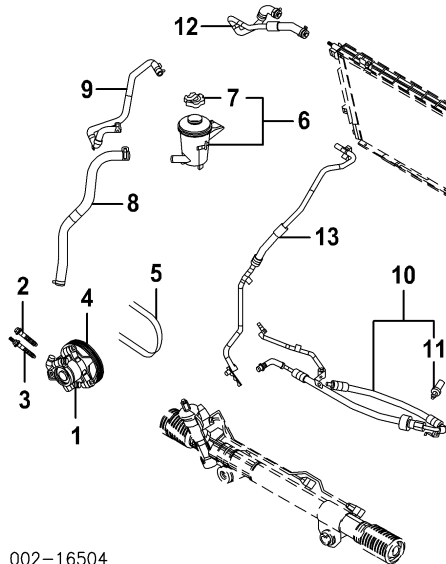
3.0

NOTE: R&R Does Not include adjust wheel alignment.

1 Gear Assy, Steering				
w/Load Leveling Towing		BL1Z 3504 A	\$830.78	3.4
w/o Load Leveling Towing		BL3Z 3504 B	\$836.06	3.4
2 Boot, Dust	R	BL1Z 3332 A	\$45.05	#.8
	L	BL1Z 3332 A	\$45.05	#.8
<i>#R&R One Side Complete, Includes R&R Outer Tie Rod End</i>				
3 Rod, Inner Tie	R	9L3Z 3280 A	\$47.45	
	L	9L3Z 3280 A	\$47.45	
4 Tube, Steering Gear	R	BL1Z 3A714 A	\$21.50	
	L	BL1Z 3A717 A	\$19.80	
5 Damper, Tube	R	BL1Z 3E651 A	\$35.17	
	L	BL1Z 3E651 A	\$35.17	
<i>Included w/Steering Gear Assy</i>				
6 End, Tie Rod	R	7L1Z 3A130 R	\$149.25	.3
	L	7L1Z 3A130 L	\$149.25	.3
7 Bolt, Mounting	R	* W713954 S439	\$13.27	
	L	* W713954 S439	\$13.27	

STEERING PUMP

2009-10

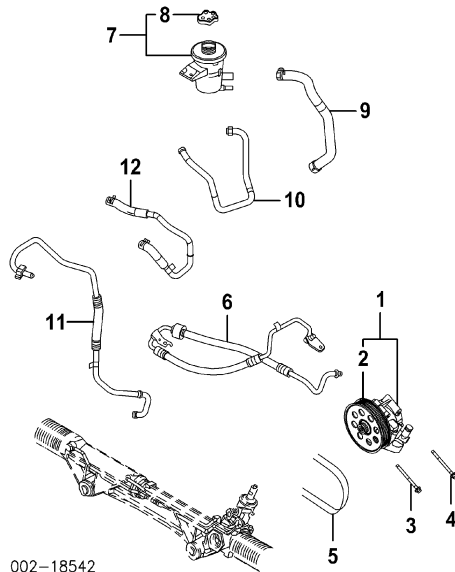


002-16504

1 Pump, Steering				
2009				
To 12-1-08		9L3Z 3A674 BRM	\$137.80	#1.6
From 12-1-08		9L3Z 3A674 CRM	\$137.80	#1.6
2010		9L3Z 3A674 CRM	\$137.80	#1.6
<i>#Includes R&R Pulley</i>				
2 Bolt, Mounting (2)		* W706447 S437	\$1.07	
3 Stud, Mounting		* W710927 S437	\$2.06	
4 Pulley, Steering Pump		2L3Z 3A733 AA	\$59.43	.8

5 Belt, Drive-See Cooling Section				
6 Reservoir Assy, Fluid		AL1Z 3E764 A	\$85.43	.7
7 Cap, Reservoir		8L2Z 3A006 A	\$18.50	
	<i>Included w/Fluid Reservoir Assy</i>			
8 Hose, Reservoir/Pump				
2009				
To 12-1-08		8L1Z 3691 C	\$38.87	.6
From 12-1-08		9L3Z 3691 A	\$38.87	.6
2010		9L3Z 3691 A	\$38.87	.6
9 Hose, Cooler/Reservoir		AL3Z 3A713 F	\$83.28	
10 Hose Assy, Steering Pump				
4.6L Eng	09	9L3Z 3A719 F	\$129.37	1.5
	10	AL3Z 3A719 E	\$130.05	1.5
5.4L Eng	09	9L3Z 3A719 G	\$128.38	1.5
	10	AL3Z 3A719 F	\$124.17	1.5
11 Switch, Pressure (b)		3F1Z 3K215 A	\$92.62	.5
	<i>(b) Included w/Steering Pump Hose Assy</i>			
	Hose, Cooler/Gear			
12 Front		BL3Z 3A713 A	\$45.38	.6
13 Rear				
2009				
To 5-19-09		BL3Z 3A713 A	\$45.38	.8
From 5-19-09		BL1Z 3A713 B	\$52.75	.8
2010		BL1Z 3A713 B	\$52.75	.8

2011-14



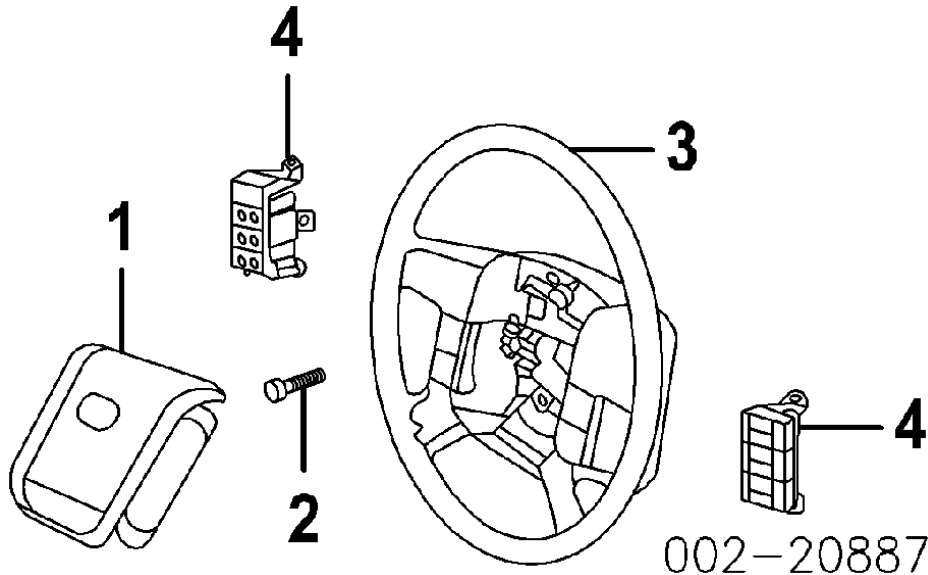
1 Pump Assy, Steering		BL3Z 3A696 A	\$254.37	1.6
2 Pulley, Steering Pump		BC3Z 3A733 A	\$59.72	.8
	<i>Included w/Steering Pump Assy</i>			
3 Bolt, Mounting (2)		* W706447 S437	\$1.07	
4 Stud, Mounting		* W710927 S437	\$2.06	
5 Belt, Drive-See Cooling Section				
6 Hose, Pump/Gear		BL3Z 3A719 D	\$86.80	

7 Reservoir Assy, Fluid	CL3Z 3E764 A	\$28.22	.7
8 Cap, Reservoir (b) (b) Included w/Fluid Reservoir Assy	8L1Z 3A006 A	\$18.50	
9 Hose, Reservoir/Pump	BL3Z 3691 D	\$38.87	.6
10 Hose, Reservoir/Cooler w/Hill Descent Control	BL3Z 3A713 L	\$34.02	.5
w/o Hill Descent Control	AL3Z 3A713 F	\$83.28	.5
Hose, Gear/Cooler			
11 Front	BL3Z 3A713 K	\$83.28	.8
12 Rear	BL3Z 3A713 J	\$83.28	.6

STEERING WHEEL/COLUMN

NOTE: All Parts in this section are included in overhaul unless noted otherwise.

WHEEL & TRIM WHEEL & TRIM 2009



1 Module, Driver Air Bag-See Air Bag System Section			
2 Bolt, Steering Wheel	* W709344 S437	\$23.56	
3 Wheel, Steering Urethane			
w/Cruise Control	9L3Z 3600 CC	\$385.75	.6
w/Sync System	9L3Z 3600 BC	\$405.38	.6
w/o Sync System	9L3Z 3600 AC	\$419.13	.6
w/o Cruise Control			
Leather			
w/Deluxe Wheel			
Black			
w/Navigation System	9L3Z 3600 LC	\$828.00	.6
w/o Navigation System	9L3Z 3600 NC	\$830.82	.6

Stone				
w/Navigation System		9L3Z 3600 LB	\$830.95	.6
w/o Navigation System		9L3Z 3600 NB	\$885.77	.6
w/o Deluxe Wheel				
w/Sync System				
Black				
w/Navigation System		9L3Z 3600 BA	\$390.83	.6
w/o Navigation System		9L3Z 3600 EA	\$410.28	.6
Camel (a)				
XLT, Lariat Model		9L3Z 3600 EB	\$410.28	.6
King Ranch Model		9L3Z 3600 FA	\$428.67	.6
Stone		9L3Z 3600 BD	\$304.67	.6
w/o Sync System				
Black		9L3Z 3600 AB	\$422.53	.6
Camel				
w/Navigation System		9L3Z 3600 BB	\$357.45	.6
w/o Navigation System		9L3Z 3600 AD	\$469.42	.6
Stone		9L3Z 3600 AD	\$469.42	.6
(a) Order by Application				
4 Switch, Steering Wheel				
Right				
w/Sync System				
w/Navigation System	R	8A8Z 9C888 AA	\$101.49	.3
w/o Navigation System	R	8A8Z 9C888 CA	\$102.18	.3
w/o Sync System	R	8L8Z 9C888 BA	\$77.20	.3
	L	8M6Z 9C888 AA	\$84.13	.3

WHEEL & TRIM

WHEEL & TRIM 2010

1 Module, Driver Air Bag-See Air Bag System				
Section				
2 Bolt, Steering Wheel		* W709344 S437	\$23.56	
3 Wheel, Steering				
Urethane				
w/Cruise Control				
w/Sync System		9L3Z 3600 CC	\$385.75	.6
w/o Sync System		9L3Z 3600 BC	\$405.38	.6
w/o Cruise Control		9L3Z 3600 AC	\$419.13	.6
Leather				
XLT, XTR Model (a)				
w/Sync System		9L3Z 3600 EA	\$410.28	.6
w/o Sync System		9L3Z 3600 AB	\$422.53	.6
FX2 Model				
w/Navigation System		AL3Z 3600 CA	\$549.40	.6
w/o Navigation System		AL3Z 3600 BA	\$440.37	.6
FX4 Model (a)				
w/Luxury Pkg				
w/Navigation System		9L3Z 3600 LC	\$828.00	.6
w/o Navigation System		9L3Z 3600 NC	\$830.82	.6
w/o Luxury Pkg				
w/Navigation System		AL3Z 3600 CA	\$549.40	.6

w/o Navigation System		AL3Z 3600 BA	\$440.37	.6
Lariat Model (a)				
w/Chrome Pkg		9L3Z 3600 EA	\$410.28	.6
w/o Chrome Pkg		AL3Z 3600 BA	\$440.37	.6
King Ranch Model		9L3Z 3600 HA	\$363.97	.6
Platinum Model		9L3Z 3600 EA	\$410.28	.6
Harley-Davidson Model				
w/Navigation System		AL3Z 3600 CB	\$385.08	.6
w/o Navigation System		AL3Z 3600 AA	\$367.98	.6
<i>(a) Order by Application</i>				
4 Switch, Steering Wheel				
Right				
w/Sync System				
w/Navigation System	R	8A8Z 9C888 AA	\$101.49	.3
w/o Navigation System	R	8A8Z 9C888 CA	\$102.18	.3
w/o Sync System	R	8L8Z 9C888 BA	\$77.20	.3
	L	8M6Z 9C888 AA	\$84.13	.3

WHEEL & TRIM

WHEEL & TRIM 2011-12

1 Module, Driver Air Bag-See Air Bag System Section				
2 Bolt, Steering Wheel		* W709344 S437	\$23.56	
3 Wheel, Steering				
Urethane				
w/Cruise Control				
w/Sync System				
Adobe		BL3Z 3600 CD	\$256.40	.6
Steel		BL3Z 3600 CC	\$268.20	.6
w/o Sync System				
Adobe		BL3Z 3600 BD	\$215.32	.6
Steel		BL3Z 3600 BC	\$277.33	.6
w/o Cruise Control		BL3Z 3600 AB	\$196.07	.6
Leather				
XLT, XTR Model (a)				
Adobe		BL3Z 3600 EB	\$381.08	.6
Black, Steel		BL3Z 3600 EA	\$381.08	.6
FX2, FX4 Model (a)				
w/FX Appearance Pkg				
w/Navigation System		CL3Z 3600 CB	\$312.05	.6
w/o Navigation System		CL3Z 3600 DB	\$312.88	.6
w/o FX Appearance Pkg				
w/Luxury Pkg		BL3Z 3600 AA	\$727.02	.6
w/o Luxury Pkg				
w/Navigation System		BL3Z 3600 CB	\$453.90	.6
w/o Navigation System		BL3Z 3600 BB	\$411.30	.6
Lariat Model (a)				
Adobe		BL3Z 3600 DB	\$385.45	.6
Black		BL3Z 3600 DA	\$344.17	.6
King Ranch Model				
w/Navigation System		BL3Z 3600 GA	\$338.42	.6

w/o Navigation System Platinum Model		BL3Z 3600 FA	\$347.12	.6
w/Navigation System		BL3Z 3600 AA	\$727.02	.6
w/o Navigation System		BL3Z 3600 BA	\$764.53	.6
Lariat Limited Model		BL3Z 3600 LA	\$503.08	.6
Harley-Davidson Model				
w/Navigation System		BL3Z 3600 JA	\$510.10	.6
w/o Navigation System		BL3Z 3600 HA	\$509.72	.6

(a) Order by Application

4 Switch, Steering Wheel

Right

w/Sync System	R	AL3Z 9C888 AA	\$83.65	.3
w/o Sync System	R	AL3Z 9C888 CA	\$83.45	.3

Left

w/Cruise Control				
w/Message Center	L	BL3Z 9C888 BA	\$75.78	.3
w/o Message Center	L	BL3Z 9C888 AA	\$92.35	.3
w/o Cruise Control	L	BL3Z 9C888 CA	\$74.89	.3

WHEEL & TRIM

WHEEL & TRIM 2013-14

1 Module, Driver Air Bag-See Air Bag System
Section

2 Bolt, Steering Wheel		* W709344 S437	\$23.56	
------------------------	--	----------------	---------	--

3 Wheel, Steering

Urethane

w/Cruise Control (a)				
w/Sync System		BL3Z 3600 CC	\$268.20	.6
w/o Sync System		BL3Z 3600 BC	\$277.33	.6
w/o Cruise Control		BL3Z 3600 AB	\$196.07	.6

Leather (a)

XLT, XTR Model		BL3Z 3600 EA	\$381.08	.6
FX2, FX4 Model				
w/FX Appearance Pkg		CL3Z 3600 DB	\$312.88	.6
w/o FX Appearance Pkg		BL3Z 3600 CB	\$453.90	.6
Tremor Model		CL3Z 3600 DB	\$312.88	.6
Lariat, Limited Model		DL3Z 3600 BA	\$980.67	.6
King Ranch Model		DL3Z 3600 CB	\$210.73	.6
Platinum Model		DL3Z 3600 AA	\$615.08	.6

(a) Order by Application

4 Switch, Steering Wheel

Right

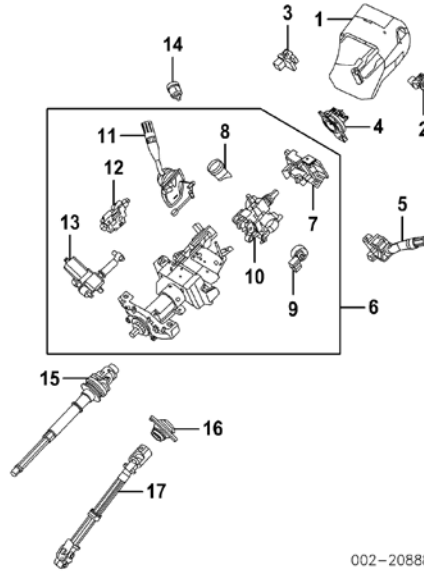
w/Sync System	R	AL3Z 9C888 AA	\$83.65	.3
w/o Sync System	R	AL3Z 9C888 CA	\$83.45	.3

Left

w/Cruise Control				
w/Message Center	L	BL3Z 9C888 BA	\$75.78	.3
w/o Message Center	L	BL3Z 9C888 AA	\$92.35	.3
w/o Cruise Control	L	BL3Z 9C888 CA	\$74.89	.3

COLUMN TILT

COLUMN TILT 2009-10



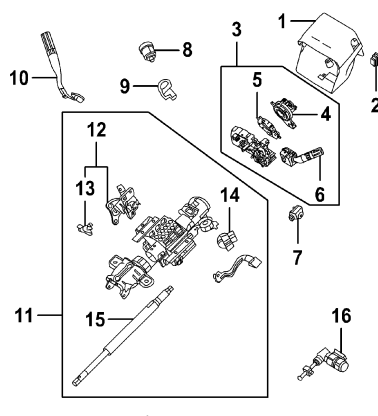
002-20888

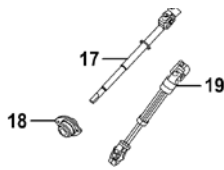
R&I Steering Column Assy			1.8
O/H Steering Column Assy (Includes R&I)			4.0
1 Cover, Strg Column			
w/Center Console			
w/Flow Thru Console			
Man Adjust Column			
Black	9L3Z 3530 BA	\$27.57	.5
Camel			
XLT, Lariat Model	9L3Z 3530 BB	\$27.57	.5
King Ranch Model	9L3Z 3530 BC	\$30.22	.5
Stone	9L3Z 3530 BB	\$27.57	.5
Power Adjust Column			
Black	9L3Z 3530 CB	\$28.47	.5
Stone	9L3Z 3530 CA	\$30.22	.5
w/o Flow Thru Console			
Black	9L3Z 3530 AA	\$24.43	.5
Camel, Stone	9L3Z 3530 AB	\$25.55	.5
w/o Center Console			
Black	9L3Z 3530 AA	\$24.43	.5
Camel, Stone	9L3Z 3530 AB	\$25.55	.5
2 Switch, Column	7L7Z 3B504 AB	\$26.92	.7
3 Sensor, Rotation	9L1Z 3F818 A	\$45.03	1.2
4 Clockspring-See Air Bag System Section			
5 Switch, Signal	9L3Z 13K359 AA	\$227.25	1.0
6 Column Assy, Steering			
w/Flow Thru Console			
2009			
To 12-1-08	9L3Z 3C529 B	\$457.55	3.0
From 12-1-08	9L3Z 3C529 J	\$612.85	3.0
2010	9L3Z 3C529 J	\$612.85	3.0

w/o Flow Thru Console			
4 Speed Trans			
2009			
To 12-1-08	9L3Z 3C529 C	\$685.72	3.0
From 12-1-08	9L3Z 3C529 H	\$723.35	3.0
2010	9L3Z 3C529 H	\$723.35	3.0
6 Speed Trans	9L3Z 3C529 F	\$648.52	3.0
7 Housing, Switch	7C3Z 3F791 A	\$9.93	1.2
8 Transceiver			
2009			
To 12-1-08	8G1Z 15607 A	\$45.09	.9
From 12-1-08	6E5Z 15607 AA	\$40.20	.9
2010	6E5Z 15607 AA	\$40.20	.9
9 Switch, Ignition	5W1Z 11572 AA	\$45.00	.8
10 Housing, Ignition Lock			
Dearborn Plant	9L3Z 3511 B	\$141.50	1.8
Kansas City Plant	9L3Z 3511 C	\$180.95	1.8
11 Lever, Shift			
4 Speed Trans			
2009			
To 12-1-08	9L3Z 7210 F	\$50.58	.9
From 12-1-08	9L3Z 7210 G	\$50.30	.9
2010	9L3Z 7210 G	\$50.30	.9
6 Speed Trans			
2009			
To 12-1-08	9L3Z 7210 BA	\$50.65	.9
From 12-1-08	9L3Z 7A256 DA	\$50.47	.9
2010	9L3Z 7A256 DA	\$50.47	.9
12 Solenoid, Interlock	7L1Z 3Z719 B	\$110.52	.9
13 Motor, Tilt	8L7Z 3D538 A	\$463.60	2.4
<i>Included w/Steering Column Assy</i>			
14 Cylinder, Ign Lock	AU5Z 11582 B	\$97.35	.7
15 Shaft, Upper Column	7L1Z 3E751 A	\$414.88	3.0
16 Seal, Shaft	5L3Z 3D677 AA	\$41.80	
17 Shaft, Lower Column	8L1Z 3B676 A	\$260.60	.8

COLUMN TILT

COLUMN TILT 2011-14





002-20886

					1.8
					4.0
1	Cover, Strg Column				
	Man Adjust Column				
	Tilt				
	Upper				
	Adobe		BL3Z 3530 AD	\$32.83	.5
	Black, Steel		BL3Z 3530 AC	\$34.35	.5
	Lower				
	Fixed Foot Pedals				
	Adobe		BL3Z 3530 AF	\$32.83	.5
	Black, Steel		BL3Z 3530 AE	\$32.83	.5
	Adjustable Foot Pedals				
	Adobe		BL3Z 3530 BG	\$32.65	.5
	Black, Steel		BL3Z 3530 BF	\$34.15	.5
	Tilt/Slide				
	Upper				
	Adobe		BL3Z 3530 BE	\$32.65	.5
	Black, Steel		BL3Z 3530 BD	\$34.15	.5
	Lower				
	Fixed Foot Pedals				
	Adobe		BL3Z 3530 CD	\$32.65	.5
	Black, Steel		BL3Z 3530 CC	\$32.65	.5
	Adjustable Foot Pedals				
	Adobe		BL3Z 3530 DD	\$32.55	.5
	Black, Steel		BL3Z 3530 DC	\$34.05	.5
	Power Adjust Column				
	Upper				
	Adobe		BL3Z 3530 BC	\$32.65	.5
	Black, Steel		BL3Z 3530 BD	\$34.15	.5
	Lower				
	Adobe		BL3Z 3530 EE	\$32.38	.5
	Black, Steel		BL3Z 3530 EF	\$32.38	.5
2	Switch, Column				
	Power Adjust Column		BL3Z 3B504 AA	\$13.32	.7
3	Switch Assy, Combination				
	Electric Power Steering				
	Fixed Foot Pedals	11-13	DL3Z 3F791 CA	\$48.80	
		14	EL3Z 3F791 CA	\$100.47	
	Adjustable Foot Pedals				
	Man Tilt	11-13	DL3Z 3F791 DA	\$46.03	
		14	EL3Z 3F791 DA	\$126.50	
	Pwr Tilt				
	w/Rain Sensing Wipers	11-13	DL3Z 3F791 JA	\$161.98	
		14	EL3Z 3F791 JA	\$151.82	

w/o Rain Sensing Wipers	11-13	DL3Z 3F791 EA	\$43.55	
	14	EL3Z 3F791 EA	\$150.60	
Hydraulic Power Steering				
Fixed Foot Pedals				
w/Rear View Camera	11-12	CL3Z 3F791 AA	\$170.43	
	13-14	EL3Z 3F791 AA	\$175.18	
w/o Rear View Camera	11-13	DL3Z 3F791 FA	\$113.63	
	14	EL3Z 3F791 FA	\$108.08	
Adjustable Foot Pedals				
Man Tilt	11-13	DL3Z 3F791 GA	\$144.43	
	14	EL3Z 3F791 GA	\$126.03	
Pwr Tilt				
w/Rain Sensing Wipers	11-12	BL3Z 3F791 SA	\$444.45	
	13	DL3Z 3F791 KA	\$179.43	
	14	EL3Z 3F791 KA	\$158.27	
w/o Rain Sensing Wipers				
w/Rear View Camera	13	EL3Z 3F791 LA	\$217.53	
	14	EL3Z 3F791 LA	\$217.53	
w/o Rear View Camera	11-13	DL3Z 3F791 HA	\$179.43	
	14	EL3Z 3F791 HA	\$158.30	
4 Clockspring-See Air Bag System Section				
5 Sensor, Rotation				
Hydraulic Power Steering		BC3Z 3F818 A	\$27.17	1.2
6 Switch, Signal				
w/Rain Sensing Wipers	11-13	BL3Z 13K359 BA	\$26.16	1.0
	14	EL3Z 13K359 AA	\$45.02	1.0
w/o Rain Sensing Wipers	11-13	BC3Z 13K359 BA	\$35.98	1.0
	14	EC3Z 13K359 AA	\$41.40	1.0
Included w/Combination Switch Assy				
7 Switch, Pedal Adjust		DB5Z 9G604 AA	\$28.38	.7
8 Cylinder, Ign Lock		AU5Z 11582 B	\$97.35	.7
9 Transceiver, Anti-Theft		8G1Z 15607 A	\$45.09	.9
10 Lever, Shift				
w/Select Shift Trans		BL3Z 7A256 BD	\$33.57	.9
w/o Select Shift Trans		BL3Z 7A256 AB	\$52.88	.9
11 Column Assy, Steering				
Man Adjust Column				
Tilt				
2011		CL3Z 3C529 H	\$438.37	3.0
2012		CL3Z 3C529 H	\$438.37	3.0
2013				
To 1-4-13		CL3Z 3C529 H	\$438.37	3.0
From 1-4-13 to 4-27-13		CL3Z 3C529 H	\$438.37	3.0
From 4-27-13		CL3Z 3C529 L	\$438.37	3.0
2014				
To 11-7-13		CL3Z 3C529 L	\$438.37	3.0
From 11-7-13		CL3Z 3C529 M	\$438.37	3.0
Tilt/Slide				
2011-13		CL3Z 3C529 J	\$338.63	3.0
2014				
To 11-7-13		CL3Z 3C529 J	\$338.63	3.0

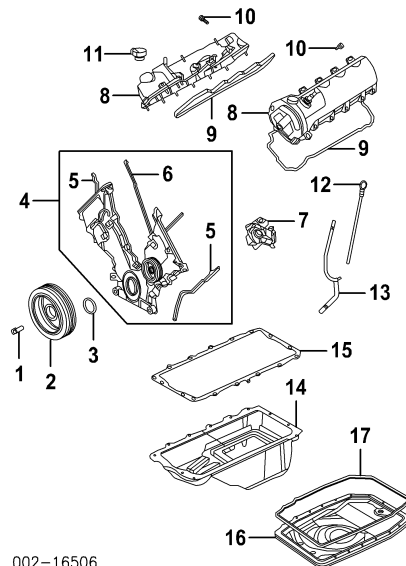
From 11-7-13	CL3Z 3C529 N	\$338.63	3.0
Power Adjust Column			
2011-12	CL3Z 3C529 G	\$887.69	3.0
2013			
To 12-15-12	CL3Z 3C529 G	\$887.69	3.0
From 12-15-12	CL3Z 3C529 K	\$887.69	3.0
2014			
To 11-7-13	CL3Z 3C529 K	\$887.69	3.0
From 11-7-13	CL3Z 3C529 P	\$887.69	3.0
12 Shaft Assy, Selector (b)			
Man Adjust Column			
Tilt Only	CL3Z 7210 C	\$82.22	
13 Solenoid, Shift Interlock (b) (c)			
Man Adjust Column			
Tilt Only	CC3Z 3Z719 C	\$88.82	.7
(c) Included w/Selector Shaft Assy			
14 Switch, Ignition (b)	DG9Z 11572 A	\$75.51	.8
15 Shaft, Steering (b)	9L3Z 3B676 A	\$112.30	3.0
(b) Included w/Steering Column Assy			
16 Actuator, Column			
Power Adjust Column			
Upper	BL3Z 3F840 C	\$400.58	1.8
Lower	BL3Z 3F840 D	\$318.87	2.4
17 Shaft, Intermediate	BL3Z 3E751 B	\$142.05	3.0
18 Seal, Shaft	5L3Z 3D677 AA	\$41.80	
19 Shaft, Coupler	BL3Z 3B676 A	\$229.70	.8

ENGINE/TRANS

Use Procedure Explanation 12 with the following text.

2009-10

2009-10 4.6L ENG 16 VALVE



002-16506

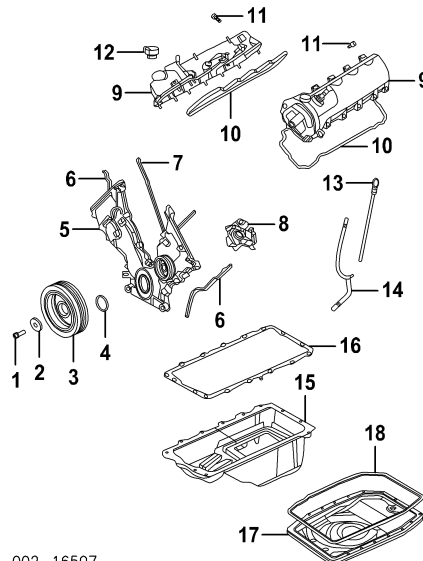
R&I Engine/Trans Assy

12.4

1 Bolt, Pulley		F5RZ 6A340 B	\$9.40	
2 Pulley, Crankshaft		1W7Z 6312 AA	\$97.18	1.5
3 Seal, Crankshaft		F5AZ 6700 A	\$14.08	#1.8
4 Cover Assy, Timing		7L3Z 6019 B	\$358.60	#7.0
<i>#Includes R&R Crankshaft Pulley</i>				
5 Gskt, Side Timing Cover	R	4R3Z 6020 EB	\$10.73	
	L	4R3Z 6020 DB	\$10.98	
6 Gskt, Center Timing Cover		4L1Z 6020 AA	\$11.93	
<i>Included w/Timing Cover Assy</i>				
7 Pump, Oil		5L3Z 6600 AA	\$116.63	#11.7
<i>#Includes R&R Oil Pan, Front Cover</i>				
8 Cover, Valve	R	7W7Z 6582 B	\$147.92	#2.2
	L	7W7Z 6582 AA	\$117.68	#1.6
<i>#Included in R&R Timing Cover, R&R Both Sides 3.5</i>				
9 Gskt, Valve Cover	R	4L2Z 6584 BA	\$51.22	
	L	4L2Z 6584 AA	\$32.02	
10 Grommet, Cover (a)	R	2C2Z 6C518 AA	\$9.12	
	L	2C2Z 6C518 AA	\$9.12	
<i>(a) As Required</i>				
11 Cap, Oil Filler	R	EP5Z 6766 A	\$5.14	
12 Dipstick, Eng Oil		9L3Z 6750 B	\$26.57	
13 Tube, Eng Oil Dipstick		9L3Z 6754 B	\$29.63	#4.0
<i>#Includes R&R Exhaust Manifold</i>				
14 Pan, Eng Oil		9L3Z 6675 B	\$94.53	#2.7
<i>#w/AWD Add 1.0</i>				
15 Gskt, Eng Oil Pan		3L3Z 6710 AA	\$49.98	
16 Pan, Trans Oil		6L3Z 7A194 A	\$41.47	1.6
17 Gskt, Trans Oil		F2VY 7A191 A	\$31.17	

2009-10

2009-10 4.6L ENG 24 VALVE

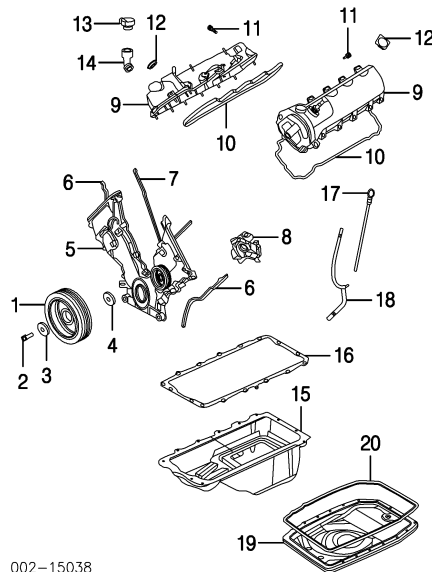


002-16507

1 Bolt, Pulley		F5RZ 6A340 B	\$9.40	
2 Washer, Pulley		F1AZ 6378 A	\$5.66	
3 Pulley, Crankshaft		4R3Z 6312 A	\$102.50	1.5
4 Seal, Crankshaft		F5AZ 6700 A	\$14.08	#1.8
5 Cover, Timing		7R3Z 6019 A	\$388.33	#7.0
<i>#Includes R&R Crankshaft Pulley</i>				
6 Gskt, Side Timing Cover	R	4R3Z 6020 EB	\$10.73	
	L	4R3Z 6020 DB	\$10.98	
7 Gskt, Center Timing Cover		7R3Z 6020 A	\$13.49	
8 Pump, Oil		9L3Z 6600 A	\$119.48	#11.7
<i>#Includes R&R Oil Pan, Front Cover</i>				
9 Cover, Valve	R	9L1Z 6582 D	\$141.23	#2.2
	L	9L1Z 6582 C	\$156.92	#1.6
<i>#Included in R&R Timing Cover, R&R Both Sides 3.5</i>				
10 Gskt, Valve Cover	R	7L1Z 6584 A	\$26.38	
	L	7L1Z 6584 B	\$23.58	
11 Seal, Cover	R	7L1Z 6C535 AA	\$10.02	
	L	7L1Z 6C535 AA	\$10.02	
12 Cap, Oil Filler	R	EP5Z 6766 A	\$5.14	
13 Dipstick, Eng Oil		9L3Z 6750 A	\$16.00	
14 Tube, Eng Oil Dipstick		9L3Z 6754 C	\$25.08	#4.0
<i>#Includes R&R Exhaust Manifold</i>				
15 Pan, Eng Oil		9L3Z 6675 B	\$94.53	#2.7
<i>#w/AWD Add 1.0</i>				
16 Gskt, Eng Oil Pan		3L3Z 6710 AA	\$49.98	
17 Pan, Trans Oil		7L1Z 7A194 A	\$32.17	1.6
18 Gskt, Trans Oil Pan		BL3Z 7A191 B	\$28.40	

2009-10

2009-10 5.4L ENG



002-15038

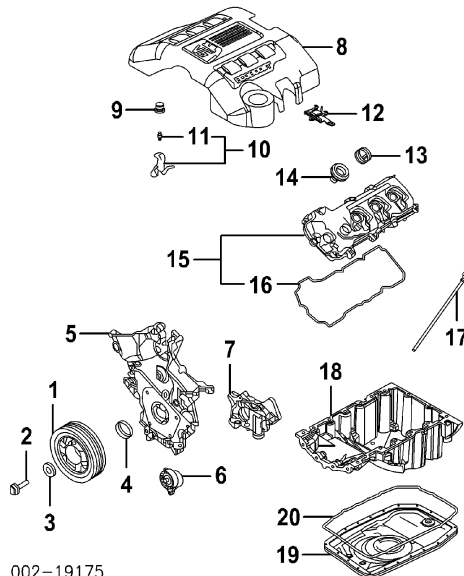
R&I Engine/Trans Assy

1 Pulley, Crankshaft		7L3Z 6312 A	\$199.70	1.5
2 Bolt, Pulley		F5RZ 6A340 B	\$9.40	

3 Washer, Pulley		F1AZ 6378 A	\$5.66	
4 Seal, Oil		XW4Z 6700 AA	\$14.52	#1.8
5 Cover, Timing		7L3Z 6019 A	\$230.30	#8.3
<i>#Includes R&R Crankshaft Pulley</i>				
6 Gskt, Side Timing Cover	R	3L3Z 6020 FA	\$15.58	
	L	3L3Z 6020 DA	\$14.24	
7 Gskt, Center Timing Cover		3L3Z 6020 EA	\$17.62	
8 Pump, Oil		9L3Z 6600 A	\$119.48	#11.7
<i>#Includes R&R Oil Pan, Front Cover</i>				
9 Cover, Valve	R	9L1Z 6582 D	\$141.23	#3.6
	L	9L1Z 6582 C	\$156.92	#2.0
<i>#R&R Both Sides 5.0, Included in R&R Timing Cover</i>				
10 Gskt, Valve Cover	R	7L1Z 6584 A	\$26.38	
	L	7L1Z 6584 B	\$23.58	
11 Grommet, Cover (a)	R	7L1Z 6C519 A	\$7.70	
	L	7L1Z 6C519 A	\$7.70	
<i>(a) As Required</i>				
12 Seal, Cover	R	7L1Z 6C535 AA	\$10.02	
	L	7L1Z 6C535 AA	\$10.02	
13 Cap, Oil Filler	R	EP5Z 6766 A	\$5.14	
14 Neck, Oil Filler	R	3L3Z 6763 DA	\$14.85	
15 Pan, Eng Oil		9L3Z 6675 A	\$135.57	#2.7
<i>#w/AWD Add 1.0</i>				
16 Gskt, Eng Oil Pan		3L3Z 6710 AA	\$49.98	
17 Dipstick, Eng Oil		5L1Z 6750 AA	\$13.07	
18 Tube, Eng Dipstick		5L1Z 6754 BA	\$29.20	#4.0
<i>#Includes R&R Exhaust Manifold</i>				
19 Pan, Trans Oil		7L1Z 7A194 A	\$32.17	1.6
20 Gskt, Trans Oil Pan		BL3Z 7A191 B	\$28.40	

2011-14

2011-14 3.5L TURBO ENG



002-19175

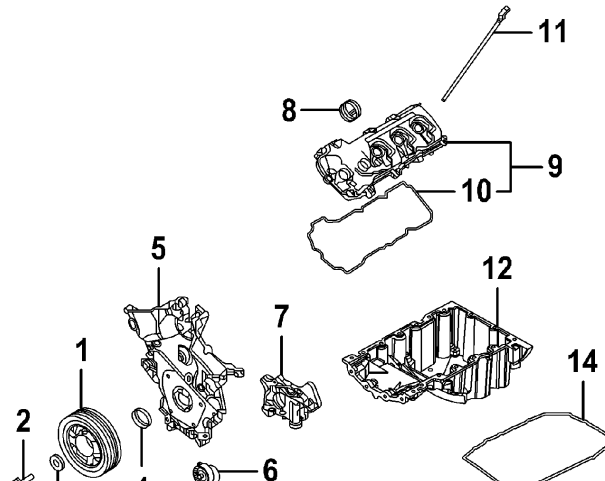
R&I Engine/Trans Assy

11.7

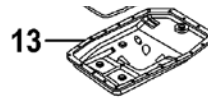
1 Pulley, Crankshaft			BR3Z 6312 D	\$71.97	1.6
2 Bolt, Pulley			F5RZ 6A340 B	\$9.40	
3 Washer, Pulley			F1AZ 6378 A	\$5.66	
4 Seal, Oil			XW4Z 6700 AA	\$14.52	#2.0
5 Cover, Timing			BR3Z 6019 H	\$143.57	#8.2
<i>#Includes R&R Crankshaft Pulley</i>					
6 Tensioner, Drive Belt-See Cooling Section					
7 Pump, Oil			7T4Z 6600 AA	\$115.27	
8 Cover, Engine	11-12		BL3Z 6A949 B	\$77.73	.3
	13-14		DL3Z 6A949 C	\$75.22	.3
9 Bushing, Mtg (2)			AA5Z 9P686 A	\$8.30	
10 Bracket Assy, Cover			BL3Z 6N081 A	\$9.13	
11 Stud, Ball			AA5Z 6N958 A	\$10.92	
<i>Included w/Cover Bracket Assy</i>					
12 Bracket, Rear Cover			BL3Z 6N081 B	\$7.88	
13 Cap, Oil Filler		L	EL3Z 6766 A	\$6.48	
14 Neck, Oil Filler		L	BL3Z 6763 B	\$8.10	
15 Cover Assy, Valve	11-12	R	BR3Z 6582 G	\$64.97	#2.8
		L	BL3Z 6582 C	\$65.97	#2.0
	13-14	R	DL3Z 6582 A	\$60.95	#2.8
		L	BL3Z 6582 C	\$65.97	#2.0
<i>#R&R Both 3.6</i>					
16 Gskt, Valve Cover (b)	11-12	R	BR3Z 6584 B	\$8.72	
		L	BL3Z 6584 A	\$6.72	
	13-14	R	DL3Z 6584 B	\$11.85	
		L	BL3Z 6584 A	\$6.72	
<i>(b) Included w/Valve Cover Assy</i>					
17 Dipstick, Eng Oil			BR3Z 6750 B	\$7.53	
18 Pan, Eng Oil			BR3Z 6675 P	\$96.17	#9.4
<i>#w/Engine/Trans Assy Removed</i>					
Sealant, Eng (a)			N.A.		
<i>(a) As Required</i>					
19 Pan, Trans Oil			BR3Z 7A194 A	\$45.17	1.2
20 Gskt, Trans Oil Pan			BL3Z 7A191 B	\$28.40	

2011-14

2011-14 3.7L ENG



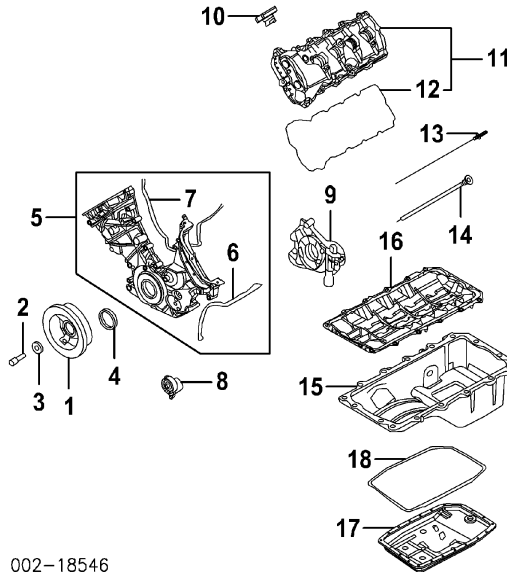
3
002-18545



R&I Engine/Trans Assy				11.7
1 Pulley, Crankshaft		BR3Z 6312 D	\$71.97	1.8
2 Bolt, Pulley		F5RZ 6A340 B	\$9.40	
3 Washer, Pulley		F1AZ 6378 A	\$5.66	
4 Seal, Crankshaft		XW4Z 6700 AA	\$14.52	2.0
5 Cover, Timing		BR3Z 6019 H	\$143.57	#8.2
<i>#Includes R&R Crankshaft Pulley</i>				
6 Tensioner, Drive Belt-See Cooling Section				
7 Pump, Oil		7T4Z 6600 AA	\$115.27	
8 Cap, Oil Filler	L	EP5Z 6766 A	\$5.14	
9 Cover Assy, Valve	R	BR3Z 6582 J	\$60.87	#2.3
	L	BR3Z 6582 M	\$72.23	#1.7
<i>#R&R Both 2.8</i>				
10 Gskt, Valve Cover	R	BR3Z 6584 B	\$8.72	
	L	BR3Z 6584 C	\$9.08	
<i>Included w/Valve Cover Assy</i>				
11 Dipstick, Eng Oil		BR3Z 6750 B	\$7.53	
12 Pan, Eng Oil		BR3Z 6675 P	\$96.17	#4.7
<i>#Includes Support Engine Assy</i>				
Sealant, Eng (a)		N.A.		
<i>(a) As Required</i>				
13 Pan, Trans Oil		BR3Z 7A194 A	\$45.17	1.2
14 Gskt, Trans Oil Pan		BL3Z 7A191 B	\$28.40	

2011-14

2011-14 5.0L ENG



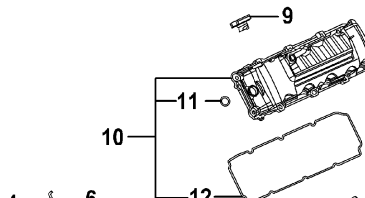
002-18546

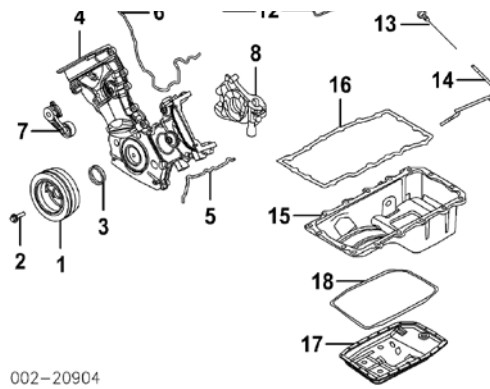
R&I Engine/Trans Assy				12.4
1 Pulley, Crankshaft	11-13	BR3Z 6312 A	\$100.68	1.8
	14	EL3Z 6312 A	\$68.97	1.8
2 Bolt, Pulley		BR3Z 6A340 A	\$5.02	

3	Washer, Pulley			* N807033 S439	\$3.08	
4	Seal, Crankshaft			XW4Z 6700 AA	\$14.52	#2.0
5	Cover Assy, Timing	11-13		BL3Z 6019 A	\$113.67	#8.2
		14		BL3Z 6019 B	\$105.18	#8.2
	#Includes R&R Crankshaft Pulley					
	Gskt, Timing Cover					
6	Side		R	BR3Z 6020 D	\$6.40	
			L	BR3Z 6020 B	\$6.95	
7	Center			BR3Z 6020 C	\$11.16	
	Included w/Timing Cover Assy					
8	Tensioner, Drive Belt-See Cooling Section					
9	Pump, Oil			BL3Z 6600 A	\$73.45	
10	Cap, Oil Filler		R	EP5Z 6766 A	\$5.14	
11	Cover Assy, Valve					
	2011		R	BL3Z 6582 E	\$81.22	#1.8
			L	BL3Z 6582 A	\$78.77	#2.0
	2012					
	To 2-29-12		R	BL3Z 6582 E	\$81.22	#1.8
			L	BL3Z 6582 A	\$78.77	#2.0
	From 2-29-12		R	BL3Z 6582 E	\$81.22	#1.8
			L	BL3Z 6582 D	\$82.10	#2.0
	2013		R	BL3Z 6582 E	\$81.22	#1.8
			L	BL3Z 6582 D	\$82.10	#2.0
	2014		R	EL3Z 6582 A	\$65.05	#1.8
			L	EL3Z 6582 B	\$65.68	#2.0
	#R&R Both 3.6					
12	Gskt, Valve Cover (b)	11-13	R	BR3Z 6584 D	\$9.97	
			L	BR3Z 6584 A	\$18.00	
		14	R	ER3Z 6584 A		
			L	ER3Z 6584 B		
	(b) Included w/Valve Cover Assy					
13	Dipstick, Eng Oil			BR3Z 6750 A	\$7.17	
14	Tube, Eng Dipstick			BR3Z 6754 A	\$4.22	.8
15	Pan, Eng Oil					
	2011-12			BR3Z 6675 A	\$122.08	#1.3
	2013					
	To 1-4-13			BR3Z 6675 A	\$122.08	#1.3
	From 1-4-13			BL3Z 6675 A	\$45.22	#1.3
	2014			BL3Z 6675 A	\$45.22	#1.3
	#w/Engine/Trans Assy Removed					
16	Gskt, Eng Oil Pan			BL3Z 6710 A	\$43.72	
17	Pan, Trans Oil			BR3Z 7A194 A	\$45.17	1.2
18	Gskt, Trans Oil Pan			BL3Z 7A191 B	\$28.40	

2011-14

2011-14 6.2L ENG





002-20904

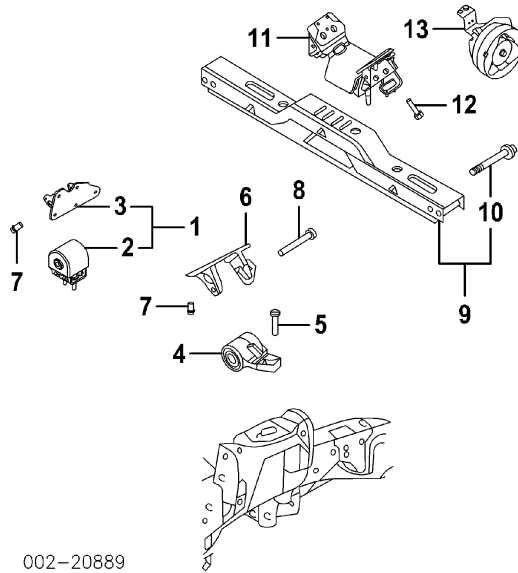
R&I Engine/Trans Assy

Part Description	Quantity	Part Number	Price	Notes
1 Pulley, Crankshaft		BC3Z 6312 A	\$103.45	12.7
2 Bolt, Pulley		AL3Z 6A340 A	\$9.85	1.8
3 Seal, Crankshaft		XW4Z 6700 AA	\$14.52	
4 Cover, Timing Gskt, Timing Cover		AL3Z 6019 A	\$195.70	
5 Side	R	AL3Z 6020 B	\$3.40	
	L	AL3Z 6020 D	\$3.40	
6 Center		AL3Z 6020 A	\$3.78	
7 Tensioner, Drive Belt-See Cooling Section				
8 Pump, Oil		AL3Z 6600 AB	\$120.85	
9 Cap, Oil Filler	R	EP5Z 6766 A	\$5.14	
10 Cover Assy, Valve				
2011				
To 8-19-11	R	BC3Z 6582 H	\$140.43	#1.1
	L	BC3Z 6582 G	\$140.32	#.8
From 8-19-11	R	CC3Z 6582 A	\$69.22	#1.1
	L	CC3Z 6582 B	\$68.52	#.8
2012-14	R	CC3Z 6582 A	\$69.22	#1.1
	L	CC3Z 6582 B	\$68.52	#.8
#R&R Both 1.6				
11 Seal, Cover (2/Side)				
2011				
To 8-19-11	R	7L1Z 6C535 AA	\$10.02	
	L	7L1Z 6C535 AA	\$10.02	
From 8-19-11	R	BR3Z 6C535 A	\$6.17	
	L	BR3Z 6C535 A	\$6.17	
2012-14	R	BR3Z 6C535 A	\$6.17	
	L	BR3Z 6C535 A	\$6.17	
12 Gskt, Valve Cover				
2011				
To 8-19-11	R	AL3Z 6584 B	\$10.48	
	L	AL3Z 6584 A	\$9.03	
From 8-19-11	R	CC3Z 6584 BA	\$8.92	
	L	CC3Z 6584 AA	\$8.92	
2012-14	R	CC3Z 6584 BA	\$8.92	
	L	CC3Z 6584 AA	\$8.92	

Included w/Valve Cover Assy

13 Dipstick, Eng Oil	AL3Z 6750 A	\$9.85	
14 Tube, Eng Dipstick	AL3Z 6754 A	\$22.38	.8
15 Pan, Eng Oil	AL3Z 6675 A	\$92.58	#2.7
#w/Engine/Trans Assy Removed			
16 Gskt, Eng Oil Pan	AL3Z 6710 A	\$37.07	
17 Pan, Trans Oil	BR3Z 7A194 A	\$45.17	1.2
18 Gskt, Trans Oil Pan	BL3Z 7A191 B	\$28.40	

ENGINE/TRANS MOUNTS



002-20889

1 Mount, Right Engine				
2009-10	R	9L3Z 6038 C	\$172.67	#4.0
2011-12				
3.5L Turbo, 3.7L Eng	R	BL3Z 6038 G	\$124.27	#4.0
5.0L Eng	R	BL3Z 6038 H	\$109.63	#4.0
6.2L Eng	R	BL3Z 6038 J	\$84.70	#4.0
2013				
3.5L Turbo Eng				
Base Payload Pkg				
To 6-12-13	R	BL3Z 6038 G	\$124.27	#4.0
From 6-12-13	R	DL3Z 6038 C	\$72.18	#4.0
Upgrade Payload Pkg				
To 2-6-13	R	BL3Z 6038 G	\$124.27	#4.0
From 2-6-13-Serviced by Components				
3.7L Eng				
To 6-12-13	R	BL3Z 6038 G	\$124.27	#4.0
From 6-12-13	R	DL3Z 6038 C	\$72.18	#4.0
5.0L Eng	R	BL3Z 6038 H	\$109.63	#4.0
6.2L Eng	R	BL3Z 6038 J	\$84.70	#4.0
2014				
3.5L Turbo Eng				

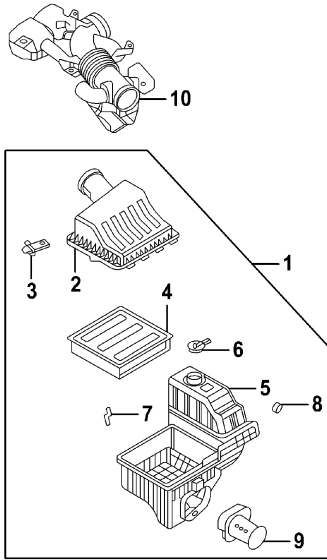
Base Payload Pkg	R	DL3Z 6038 C	\$72.18	#4.0
Upgrade Payload Pkg-Serviced by Components				
3.7L Eng	R	DL3Z 6038 C	\$72.18	#4.0
5.0L Eng	R	BL3Z 6038 H	\$109.63	#4.0
6.2L Eng	R	BL3Z 6038 J	\$84.70	#4.0
2 Insulator, Right Engine Mount				
2009-12-Serviced w/Right Engine Mount				
2013				
3.5L Turbo Eng				
To 2-6-13-Serviced w/Right Engine Mount				
From 2-6-13				
Base Payload Pkg-Serviced w/Right Engine Mount				
Upgrade Payload Pkg	R	DL3Z 6038 A	\$48.00	
3.7L, 5.0L, 6.2L Eng-Serviced w/Right Engine Mount				
2014				
3.5L Turbo Eng				
Base Payload Pkg-Serviced w/Right Engine Mount				
Upgrade Payload Pkg	R	DL3Z 6038 A	\$48.00	
3.7L, 5.0L, 6.2L Eng-Serviced w/Right Engine Mount				
3 Bracket, Right Engine Mount				
2009-12-Serviced w/Right Engine Mount				
2013				
3.5L Turbo Eng				
To 2-6-13-Serviced w/Right Engine Mount				
From 2-6-13				
Base Payload Pkg-Serviced w/Right Engine Mount				
Upgrade Payload Pkg	R	DL3Z 6030 A	\$35.05	
3.7L, 5.0L, 6.2L Eng-Serviced w/Right Engine Mount				
2014				
3.5L Turbo Eng				
Base Payload Pkg-Serviced w/Right Engine Mount				
Upgrade Payload Pkg	R	DL3Z 6030 A	\$35.05	
3.7L, 5.0L, 6.2L Eng-Serviced w/Right Engine Mount				
4 Mount, Left Engine				
2009-10	L	9L3Z 6038 A	\$108.05	#4.3
2011-12				
3.5L Turbo, 3.7L Eng	L	BL3Z 6038 A	\$101.70	#4.3
5.0L Eng	L	BL3Z 6038 K	\$96.02	#4.3
6.2L Eng	L	BL3Z 6038 C	\$87.65	#4.3

2013				
3.5L Turbo, 3.7L Eng				
To 6-12-13	L	BL3Z 6038 A	\$101.70	#4.3
From 6-12-13	L	DL3Z 6038 B	\$57.23	#4.3
5.0L Eng	L	BL3Z 6038 K	\$96.02	#4.3
6.2L Eng	L	BL3Z 6038 C	\$87.65	#4.3
2014				
3.5L Turbo, 3.7L Eng	L	DL3Z 6038 B	\$57.23	#4.3
5.0L Eng	L	BL3Z 6038 K	\$96.02	#4.3
6.2L Eng	L	BL3Z 6038 C	\$87.65	#4.3
#R&R Both 5.2, w/4WD Add .8				
5 Bolt, Left Engine Mount (3)	L	* W713244 S439	\$2.06	
6 Brkt, Left Eng Mount				
2009-10	L	9L3Z 6038 B	\$84.02	#
2011-14				
3.5L Turbo, 3.7L Eng	L	BL3Z 6038 E	\$52.93	#
5.0L Eng	L	BL3Z 6038 F	\$51.62	#
6.2L Eng	L	AL3Z 6038 D	\$168.97	#
#Included in R&R Mount				
7 Bolt, Bracket Mtg				
2009-10, (3/Side)	R	* W711141 S439	\$1.03	
	L	* W711141 S439	\$1.03	
2011-14 (a)	R	* W714735 S439	\$1.03	
	L	* W714735 S439	\$1.03	
(a) As Required				
8 Bolt, Pivot				
2009	L	* W711142 S439	\$5.65	
2010	L	* W715106 S439	\$5.89	
2011-14				
3.5L Turbo, 3.7L, 5.0L Eng	L	* W715211 S439	\$4.11	
6.2L Eng	L	* W715106 S439	\$5.89	
9 Support Assy, Trans		9L3Z 6A023 A	\$259.25	#1.3
#Includes R&R Trans Mount				
10 Bolt, Support (2/Side)	R	* W714418 S439	\$11.96	
	L	* W714418 S439	\$11.96	
Included w/Trans Support Assy				
11 Mount, Trans				
2009-10				
4 Speed Trans				
2WD		9L3Z 6068 C	\$133.37	.9
4WD		9L3Z 6068 D	\$124.43	.9
6 Speed Trans				
2WD		9L3Z 6068 B	\$97.92	.9
4WD, AWD		AL3Z 6068 C	\$113.12	.9
2011-14				
2WD				
3.5L Turbo, 3.7L Eng		BL3Z 6068 A	\$88.07	.9
5.0L, 6.2L Eng		BL3Z 6068 G	\$54.82	.9
4WD				
3.5L Turbo, 3.7L Eng		BL3Z 6068 E	\$89.52	.9
5.0L Eng		BL3Z 6068 F	\$67.37	.9
6.2L Eng		BL3Z 6068 D	\$108.68	.9

AWD	BL3Z 6068 D	\$108.68	.9
Bracket, Front Pipe-Serviced w/Trans Mount			
12 Bolt, Trans Mount (a)			
2WD			
6 Speed Trans	* W713728 S900	\$1.07	
4WD, AWD	* W713728 S900	\$1.07	
(a) As Required			
13 Damper, Trans Dynamic			
3.7L Eng			
Regular Cab, Crew Cab	BL3Z 4A085 A	\$110.37	

AIR CLEANER

2009-10

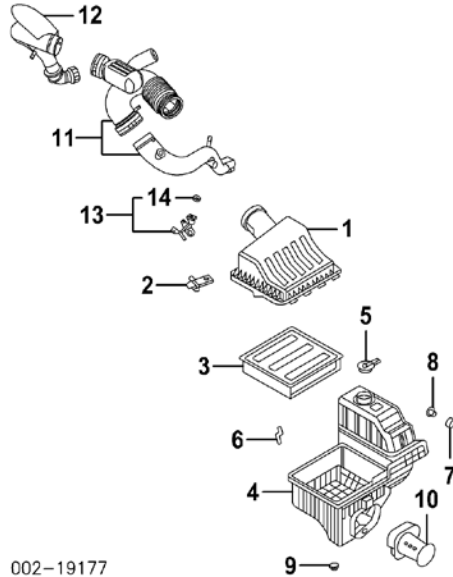


002-19176

R&I Air Cleaner Assy			1.0
1 Cleaner Assy, Air	9L3Z 9600 A	\$358.28	1.0
2 Cover, Air Cleaner	AL3Z 9661 B	\$53.70	.3
3 Sensor, Mass Air Flow	3L3Z 12B579 BA	\$230.38	.3
4 Element, Air Cleaner	7C3Z 9601 A	\$19.95	.4
5 Housing/Reservoir, Air Cleaner-Serviced w/Air Cleaner Assy			
6 Cap, Reservoir	9L3Z 8K103 A	\$28.90	
7 Clamp, Housing (a)	CC3Z 9628 A	\$5.43	
8 Insulator, Housing (a)	7L1Z 9P686 B	\$5.00	
(a) As Required			
9 Tube, Air Cleaner	7L1Z 9F721 A	\$11.13	
Included w/Air Cleaner Assy			
10 Hose, Air Cleaner			
4.6L Eng			
16 Valve	9L3Z 9B659 C	\$125.05	.4
24 Valve	9L3Z 9B659 A	\$130.05	.4
5.4L Eng	9L3Z 9B659 B	\$154.98	.4

2011-14

2011-14 3.5L TURBO ENG



002-19177

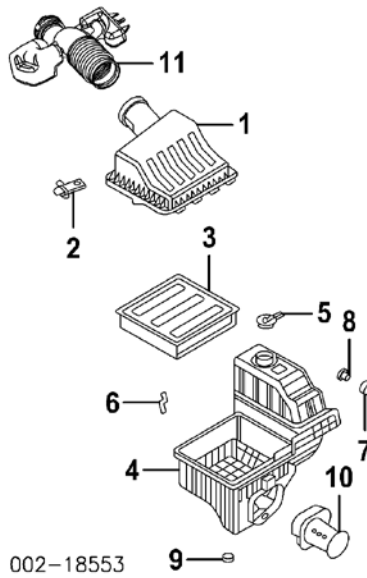
R&I Air Cleaner Assy

Part Number	Description	Quantity	Part Number	Description	Price	Unit
1	Cover, Air Cleaner	11	AL3Z 9661 B		\$53.70	.3
		12-14	CL3Z 9661 A		\$50.95	.3
2	Sensor, Mass Air Flow	11	BR3Z 12B579 A		\$114.33	.3
		12-14	CV2Z 9F479 A		\$33.78	.3
3	Element, Air Cleaner		7C3Z 9601 A		\$19.95	.4
4	Housing/Reservoir, Air Cleaner		BL3Z 8A080 B		\$256.92	1.0
5	Cap, Reservoir		9C3Z 8101 B		\$12.22	
6	Clamp, Housing (a)		CC3Z 9628 A		\$5.43	
7	Insulator, Housing (a)		7L1Z 9P686 B		\$5.00	
	(a) As Required					
8	Bushing, Insulator (2)		9L3Z 6P018 A		\$1.71	
9	Insulator, Mounting (2)		7L1Z 9P686 A		\$5.00	
10	Tube, Air Cleaner		AL3Z 9F721 A		\$5.82	
11	Duct, Air Outlet	11	BL3Z 9C623 A		\$110.05	
		12	CL3Z 9C623 B		\$81.40	
		13-14	DL3Z 9C623 A		\$83.53	
12	Hose, Turbo Intake					
	Right	11-12 R	BL3Z 9R530 B		\$107.37	.4
	Left-Serviced w/Air Outlet Duct	13-14 R	DL3Z 9R530 A		\$48.25	.4
13	Bracket Assy, Hose Support		R	BL3Z 9647 A	\$11.12	
			L	BL3Z 9647 B	\$12.98	
14	Insulator, Mounting (2/Side)		R	7L1Z 9P686 A	\$5.00	
			L	7L1Z 9P686 A	\$5.00	

Included w/Hose Support Bracket Assy

2011-14

2011-14 3.7L, 5.0L ENG

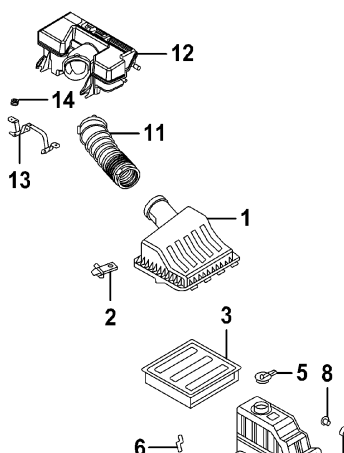


R&I Air Cleaner Assy

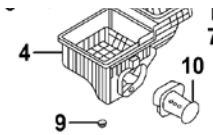
1	Cover, Air Cleaner	AL3Z 9661 B	\$53.70	1.0
2	Sensor, Mass Air Flow	BR3Z 12B579 A	\$114.33	.3
3	Element, Air Cleaner	7C3Z 9601 A	\$19.95	.4
4	Housing/Reservoir, Air Cleaner	BL3Z 8A080 B	\$256.92	1.0
5	Cap, Reservoir	9C3Z 8101 B	\$12.22	
6	Clamp, Housing (a)	CC3Z 9628 A	\$5.43	
7	Insulator, Housing (a)	7L1Z 9P686 B	\$5.00	
8	Bushing, Insulator (a)	9L3Z 6P018 A	\$1.71	
	(a) As Required			
9	Insulator, Mounting (2)	7L1Z 9P686 A	\$5.00	
10	Tube, Air Cleaner	AL3Z 9F721 A	\$5.82	
11	Hose, Air Outlet			
	3.7L Eng	BL3Z 9B659 B	\$94.38	.4
	5.0L Eng	BL3Z 9B659 A	\$118.58	.4

2011-14

2011-14 6.2L ENG

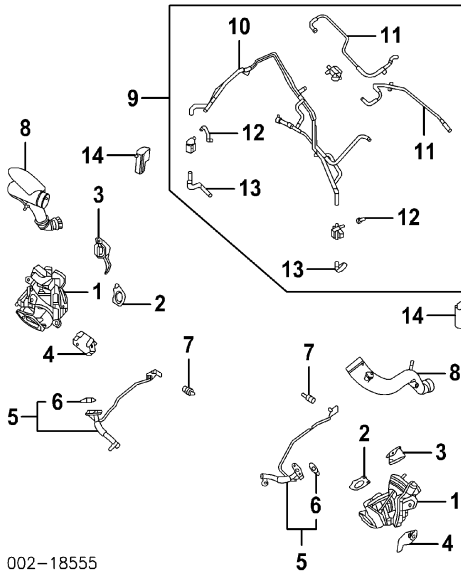


002-18554



R&I Air Cleaner Assy				1.0
1	Cover, Air Cleaner	AL3Z 9661 B	\$53.70	.3
2	Sensor, Mass Air Flow	BR3Z 12B579 A	\$114.33	.3
3	Element, Air Cleaner	7C3Z 9601 A	\$19.95	.4
4	Housing/Reservoir, Air Cleaner	BL3Z 8A080 A	\$169.13	1.0
5	Cap, Reservoir	9L3Z 8K103 A	\$28.90	
6	Clamp, Housing (a)	CC3Z 9628 A	\$5.43	
7	Insulator, Housing (a)	7L1Z 9P686 B	\$5.00	
8	Bushing, Insulator (a)	9L3Z 6P018 A	\$1.71	
(a) As Required				
9	Insulator, Mounting (2)	7L1Z 9P686 A	\$5.00	
10	Tube, Air Cleaner	AL3Z 9F721 A	\$5.82	
11	Hose, Air Outlet	AL3Z 9B659 A	\$48.95	.3
12	Resonator, Air	BL3Z 9F763 A	\$127.82	.4
13	Brkt, Resonator	AL3Z 9647 B	\$12.65	
14	Insulator, Resonator (2)	BC3Z 9P686 B	\$12.33	

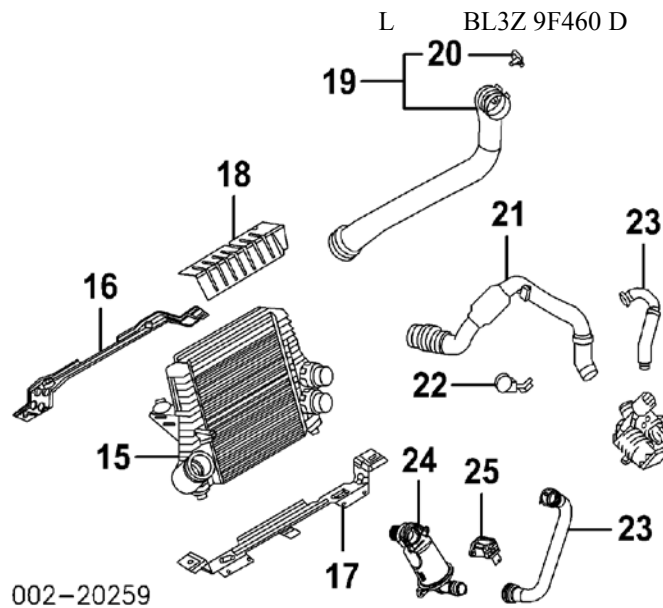
TURBOCHARGER/INTE RCOOLER 3.5L TURBO ENG



002-18555

1 Turbocharger	2011-12	R	CL3Z 6K682 B	\$754.02	#3.0
		L	CL3Z 6K682 A	\$820.00	#3.0
2013	To 8-27-12	R	CL3Z 6K682 B	\$754.02	#3.0
		L	CL3Z 6K682 A	\$820.00	#3.0
	From 8-27-12	R	DL3Z 6K682 B	\$789.70	#3.0
		L	DL3Z 6K682 A	\$789.70	#3.0

		L	DL3Z 6K682 A	\$789.70	#3.0	
2014		R	DL3Z 6K682 B	\$789.70	#3.0	
		L	DL3Z 6K682 A	\$789.70	#3.0	
<i>#R&R Both Sides 5.3</i>						
2	Gasket, Turbocharger	11-12	R	BL3Z 9450 B	\$11.52	
			L	BL3Z 9450 C	\$9.77	
		13-14	R	CL3Z 9450 A	\$9.20	
			L	CL3Z 9450 B	\$9.33	
	Bracket, Turbocharger					
3	Upper		R	BL3Z 9P462 A	\$18.37	
			L	BL3Z 9P462 B	\$19.40	
4	Lower		R	BL3Z 9P462 C	\$64.10	
			L	BL3Z 9P462 D	\$67.63	
5	Tube Assy, Cooling		R	BL3Z 9G441 E	\$48.80	.8
			L	BL3Z 9G441 F	\$51.53	.8
6	Gasket, Tube		R	BL3Z 6N652 B	\$1.87	
			L	BL3Z 6N652 B	\$1.87	
<i>Included w/Cooling Tube Assy</i>						
7	Filter, Oil					
	2011-12		R	BL3Z 6L625 A	\$24.04	
			L	BL3Z 6L625 B	\$24.64	
	2013					
	To 10-1-13		R	BL3Z 6L625 A	\$24.04	
			L	BL3Z 6L625 B	\$24.64	
	From 10-1-13		R	BL3Z 6L625 D	\$27.82	
			L	BL3Z 6L625 C	\$24.64	
	2014		R	BL3Z 6L625 D	\$27.82	
			L	BL3Z 6L625 C	\$24.64	
8	Hose, Turbo Intake-See Air Cleaner Section					
9	Hose Assy, Vacuum					
	2011-12			BL3Z 9961 B	\$175.96	.4
	2013 (a)			DL3Z 9961 B	\$79.34	.4
	2014			DL3Z 9961 B	\$79.34	.4
<i>(a) Order by Application</i>						
10	Hose, Vacuum (b)	11-12		BL3Z 9E499 LE	\$119.97	
		13-14		DL3Z 9E499 AB	\$37.18	
	Connector, Hose (b)					
11	Front	11-12	R	BL3Z 9E499 JA	\$16.90	
			L	BL3Z 9E499 KA	\$20.60	
		13	R	BL3Z 9E499 JC	\$19.33	
			L	BL3Z 9E499 KA	\$20.60	
		14	R	BL3Z 9E499 JC	\$19.33	
			L	BL3Z 9E499 KB	\$20.65	
12	Center		R	BL3Z 9E499 PC	\$15.08	
			L	BL3Z 9E499 C	\$13.55	
13	Rear		R	BL3Z 9E499 RD	\$20.75	
			L	BL3Z 9E499 ND	\$22.93	
<i>(b) Included w/Vacuum Hose Assy</i>						
14	Shield, Hose	11-12	R	BL3Z 9F460 A	\$7.07	
			L	BL3Z 9F460 B	\$7.25	
		13-14	R	BL3Z 9F460 C	\$12.57	



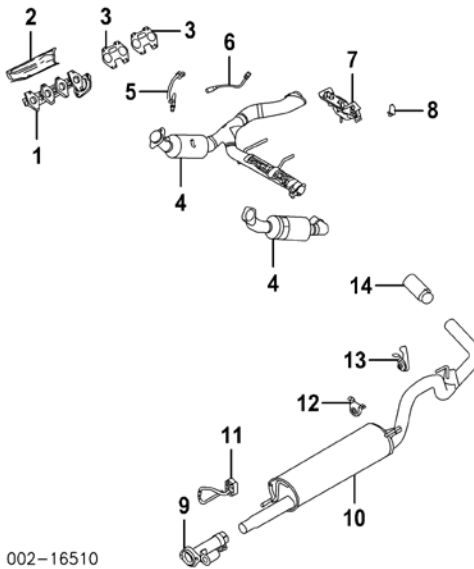
L BL3Z 9F460 D

\$12.60

15 Intercooler	11-12	BL3Z 6K775 B	\$258.13	#.8
	13-14	DL3Z 6K775 B	\$259.57	#.8
<i>#w/Grille Removed</i>				
16 Support, Upper		BL3Z 8A193 A	\$41.78	
17 Support, Lower		BL3Z 6K864 A	\$23.70	
18 Deflector, Air				
Type 1		BL3Z 19E672 A	\$14.05	.4
Type 2				
2012				
From 5-16-12		CL3Z 19E672 A	\$11.95	.4
2013-14		CL3Z 19E672 A	\$11.95	.4
19 Tube Assy, Outlet		BL3Z 6F073 A	\$163.75	.6
20 Sensor, Boost (c)		AA5Z 9F479 B	\$145.38	.6
<i>(c) Included w/Outlet Tube Assy</i>				
21 Duct, Air	R	BL3Z 6C646 B	\$187.58	
	L	BL3Z 6C646 A	\$217.62	
22 Bracket, Duct		BL3Z 9647 C	\$4.33	
23 Hose, Air				
2011-12	R	BL3Z 9J478 A	\$23.77	
	L	BL3Z 9J478 B	\$33.17	
2013-14		DL3Z 9J478 A	\$16.45	
24 Adapter, Valve	13-14	DL3Z 9V456 A	\$12.67	
25 Valve, By-Pass	13-14	AA5Z 9U465 A	\$106.83	

EXHAUST

2009-10



002-16510

R&I Exhaust System Complete
R&R Exhaust System Complete

#4.0
#4.4

#Does Not Include R&R Exhaust Manifolds

1 Manifold, Exhaust

4.6L Eng

16 Valve

R 9L3Z 9430 E \$124.57 #5.8

L 7C2Z 9431 C \$113.33 #2.8

#R&R Both 7.2

24 Valve

R 9L3Z 9430 C \$134.38 #5.5

L 9L3Z 9431 A \$128.13 #2.6

5.4L Eng

R 9L3Z 9K494 A \$224.72 #5.5

L 7L1Z 9431 A \$153.00 #2.6

#R&R Both 7.2

2 Shield, Manifold Heat

4.6L Eng

16 Valve

R 9L3Z 9A462 B \$27.85 #.8

24 Valve

R 6L2Z 9A462 AA \$30.20 #.8

L 9L3Z 9Y427 B \$28.47 #.8

5.4L Eng

2009

To 10-20-08

R 7C3Z 9A462 A \$21.23 #.8

L 7C3Z 9Y427 C \$27.82 #.8

From 10-20-08

R 9L3Z 9A462 C \$19.83 #.8

L 7C3Z 9Y427 C \$27.82 #.8

2010

R 9L3Z 9A462 C \$19.83 #.8

L 7C3Z 9Y427 C \$27.82 #.8

#Included in R&R Exhaust Manifold

3 Gskt, Manifold (2/Side)

4.6L Eng

16 Valve

R YC2Z 9448 A \$30.47

L YC2Z 9448 A \$30.47

24 Valve

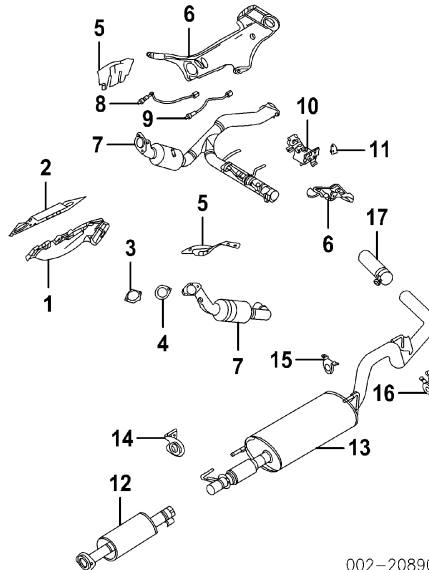
R 9L3Z 9448 A \$12.93

	L		9L3Z 9448 A		\$12.93	
5.4L Eng	R		9L3Z 9448 A		\$12.93	
	L		9L3Z 9448 A		\$12.93	
4 Pipe/Converter, Front						
4.6L Eng						
16 Valve	R		9L3Z 5E212 F		\$1,013.10	#2.3
	L		9L3Z 5E212 C		\$971.39	#1.2
24 Valve	09	R	9L3Z 5E212 D		\$970.29	#2.3
		L	9L3Z 5E212 A		\$642.86	#1.2
	10	R	AL3Z 5E212 C		\$971.40	#2.3
		L	9L3Z 5E212 A		\$642.86	#1.2
5.4L Eng						
49 State Emissions	09	R	9L3Z 5E212 E		\$764.74	#2.3
		L	9L3Z 5E212 B		\$583.33	#1.2
	10	R	9L1Z 5E212 A		\$764.74	#2.3
		L	9L3Z 5E212 B		\$583.33	#1.2
50 State Emissions	09	R	9L3Z 5E212 G		\$967.57	#2.3
		L	9L3Z 5E212 H		\$688.27	#1.2
	10	R	9L1Z 5E212 B		\$973.13	#2.3
		L	9L3Z 5E212 H		\$688.27	#1.2
#R&R Both 3.0						
5 Sensor, Upper Oxygen-See Emission System Section						
6 Sensor, Lower Oxygen-See Emission System Section						
7 Bracket, Front Pipe-See Engine/Trans Mounts Section						
8 Insulator, Bracket			9L3Z 5A262 A		\$12.34	
9 Pipe, Intermediate						
126" WB			9L3Z 5A212 A		\$128.28	#1.4
133" WB	09		9L3Z 5A212 B		\$147.99	#1.4
145" WB						
w/Tail Pipe Extension			9L3Z 5A212 F		\$153.40	#1.4
w/o Tail Pipe Extension			9L3Z 5A212 C		\$98.99	#1.4
157" WB						
2WD			9L3Z 5A212 G		\$159.42	#1.4
4WD						
w/Tail Pipe Extension			9L3Z 5A212 D		\$107.33	#1.4
w/o Tail Pipe Extension			9L3Z 5A212 G		\$159.42	#1.4
163" WB			9L3Z 5A212 E		\$113.66	#1.4
#Includes R&R Muffler						
10 Muffler						
2009						
To 12-1-08						
126" WB, 133" WB			9L3Z 5230 A		\$400.49	1.0
145" WB, 157" WB, 163" WB			9L3Z 5230 B		\$448.57	1.0
From 12-1-08			9L3Z 5230 F		\$568.81	1.0
2010						
w/Harley-Davidson Model			AL3Z 5230 E		\$463.88	1.0
w/o Harley-Davidson Model			9L3Z 5230 F		\$568.81	1.0
Hanger, Muffler						

11	Front				
	2009				
	To 12-1-08				
	126" WB, 133" WB		9L3Z 5260 B	\$49.33	
	145" WB, 157" WB, 163" WB		AL3Z 5260 B	\$19.29	
	From 12-1-08		AL3Z 5260 B	\$19.29	
	2010		AL3Z 5260 B	\$19.29	
12	Center		9L3Z 5A246 A	\$32.98	
13	Rear		9L3Z 5260 C	\$38.29	
14	Extension, Pipe		4L3Z 5K238 AA	\$75.00	.3

2011-14

2011-14 3.5L TURBO ENG



002-20890

R&I Exhaust System Complete
R&R Exhaust System Complete

#4.0
#4.4

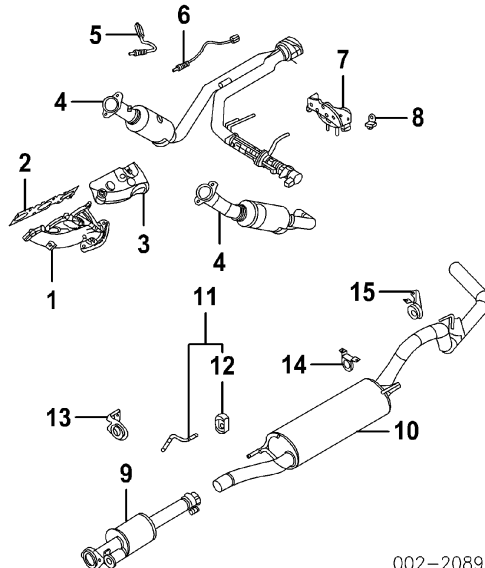
#Does Not Include R&R Exhaust Manifolds

1	Manifold, Exhaust	R	BL3Z 9430 B	\$61.63	#1.2
		L	BL3Z 9431 B	\$61.50	#1.2
	#w/Turbocharger Removed				
2	Gasket, Manifold	R	BL3Z 9448 C	\$53.10	
		L	BL3Z 9448 D	\$23.77	
3	Gasket, Flange	11-12	R BL3Z 9450 A	\$19.02	
			L BL3Z 9450 A	\$19.02	
		13-14	R CL3Z 9450 A	\$9.20	
			L CL3Z 9450 B	\$9.33	
4	Adapter, Pipe	R	BL3Z 9N496 A	\$19.13	
		L	BL3Z 9N496 A	\$19.13	
5	Shield, Front Heat	R	BL3Z 5G221 D	\$8.83	
		L	BL3Z 5H207 A	\$7.51	
6	Shield, Rear Heat	R	9L3Z 5G221 A	\$45.30	
		L	AL3Z 5G221 C	\$7.95	
7	Pipe/Converter, Front	R	BL3Z 5E212 F	\$697.94	#2.3

	L	BL3Z 5E212 E	\$298.97	#1.2
#R&R Both 3.0				
8		Sensor, Upper Oxygen-See Emission System Section		
9		Sensor, Lower Oxygen-See Emission System Section		
10		Bracket, Front Pipe-See Engine/Trans Mounts Section		
11		Insulator, Mount	9L3Z 5A262 A	\$12.34
12		Extension, Muffler		
		126" WB	EL3Z 5A212 A	\$41.69 #1.4
		145" WB	BL3Z 5A212 D	\$159.19 #1.4
		157" WB	BL3Z 5A212 E	\$154.01 #1.4
		163" WB	BL3Z 5A212 P	\$182.81 #1.4
#Includes R&R Muffler				
13		Muffler		
		126" WB	EL3Z 5230 A	\$283.60 1.0
		145" WB, 157" WB, 163" WB	BL3Z 5230 F	\$548.84 1.0
14		Hanger, Front Muffler (2)	BL3Z 5260 A	\$27.67
15		Hanger, Rear Muffler	9L3Z 5A246 A	\$32.98
16		Hanger, Rear Pipe	9L3Z 5260 C	\$38.29
17		Tip, Chrome Exhaust	BL3Z 5K238 A	\$75.00 .3

2011-14

2011-14 3.7L ENG



002-20891

R&I Exhaust System Complete

#4.0

R&R Exhaust System Complete

#4.4

#Does Not Include R&R Exhaust Manifolds

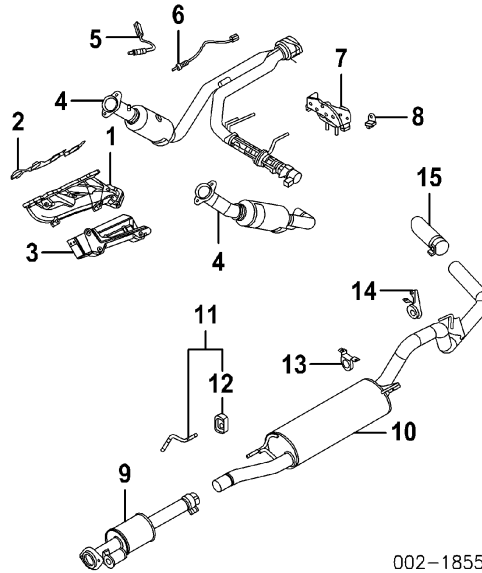
1		Manifold, Exhaust	R	BX2Z 9430 A	\$79.22	#1.7
			L	BX2Z 9431 A	\$84.02	#1.2
#R&R Both 2.5						
2		Gasket, Manifold	R	BR3Z 9448 B	\$17.58	
		2011-13				

2014	L	BR3Z 9448 B	\$17.58	
To 11-1-13	R	BR3Z 9448 B	\$17.58	
From 11-1-13	L	BR3Z 9448 B	\$17.58	
3 Shield, Manifold Heat	R	BR3Z 9448 C	\$9.50	
	L	BR3Z 9448 C	\$9.50	
4 Pipe/Converter, Front	R	BR3Z 9A462 A	\$18.55	
	L	BR3Z 9Y427 A	\$14.07	
	R	BL3Z 5E212 C	\$719.93	#2.3
	L	BL3Z 5E212 A	\$408.86	#1.2
<i>#R&R Both 3.0</i>				
5 Sensor, Upper Oxygen-See Emission System Section				
6 Sensor, Lower Oxygen-See Emission System Section				
7 Bracket, Front Pipe-See Engine/Trans Mounts Section				
8 Insulator, Mount		9L3Z 5A262 A	\$12.34	
9 Extension, Muffler				
126" WB				
2011				
To 1-3-11		BL3Z 5A212 K	\$124.61	#1.4
From 1-3-11		BL3Z 5A212 T	\$37.64	#1.4
2012-14		BL3Z 5A212 T	\$37.64	#1.4
145" WB				
2011				
To 1-3-11				
2WD		BL3Z 5A212 L	\$246.79	#1.4
4WD		BL3Z 5A212 B	\$242.85	#1.4
From 1-3-11		BL3Z 5A212 U	\$81.94	#1.4
2012-14		BL3Z 5A212 U	\$81.94	#1.4
<i>#Includes R&R Muffler</i>				
10 Muffler				
2011				
To 1-3-11		BL3Z 5230 G	\$448.30	1.0
From 1-3-11				
126" WB		BL3Z 5230 G	\$448.30	1.0
145" WB		BL3Z 5230 H	\$349.15	1.0
2012-14				
126" WB		BL3Z 5230 G	\$448.30	1.0
145" WB		BL3Z 5230 H	\$349.15	1.0
11 Hanger Assy, Muffler				
2011				
To 1-3-11		AL3Z 5260 B	\$19.29	
12 Insulator, Hanger				
2011				
To 1-3-11		AL3Z 5A262 A	\$11.40	
<i>Included w/Muffler Hanger Assy</i>				
13 Hanger, Front Muffler (2)				
2011				
From 1-3-11		BL3Z 5260 A	\$27.67	

2012-14
 14 Hanger, Rear Muffler
 15 Hanger, Rear Pipe
 2011
 To 1-3-11
 From 1-3-11
 2012-14

BL3Z 5260 A \$27.67
 9L3Z 5A246 A \$32.98
 9L3Z 5260 C \$38.29
 BL3Z 5260 A \$27.67
 BL3Z 5260 A \$27.67

2011-14
 2011-14 5.0L ENG



002-18559

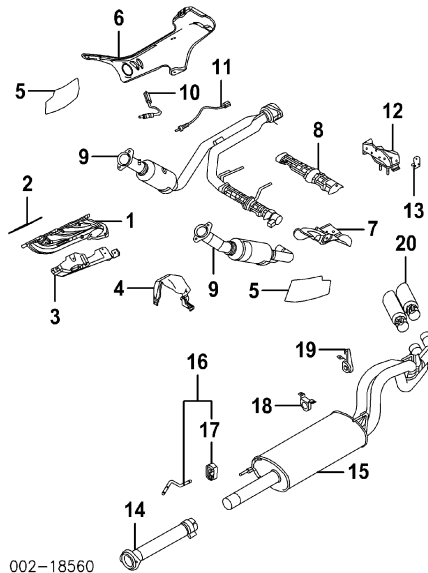
R&I Exhaust System Complete #4.0
 R&R Exhaust System Complete #4.4
 #Does Not Include R&R Exhaust Manifolds

1	Manifold, Exhaust	R	BL3Z 9430 C	\$113.78	#1.7
		L	BL3Z 9431 C	\$117.57	#1.2
	#R&R Both 2.5				
2	Gasket, Manifold	R	BR3Z 9448 A	\$27.23	
		L	BR3Z 9448 A	\$27.23	
3	Shield, Manifold Heat	R	BL3Z 9A462 A	\$16.27	
		L	BL3Z 9Y427 A	\$17.95	
4	Pipe/Converter, Front	R	CL3Z 5E212 A	\$716.71	#2.3
		L	DL3Z 5E212 A	\$699.36	#1.2
	#R&R Both 3.0				
5	Sensor, Upper Oxygen-See Emission System Section				
6	Sensor, Lower Oxygen-See Emission System Section				
7	Bracket, Front Pipe-See Engine/Trans Mounts Section				
8	Insulator, Mount		9L3Z 5A262 A	\$12.34	
9	Extension, Muffler				
	126" WB		BL3Z 5A212 C	\$178.21	#1.4
	145" WB				

w/Chrome Exh Tip	BL3Z 5A212 F	\$210.28	#1.4
w/o Chrome Exh Tip	BL3Z 5A212 D	\$159.19	#1.4
157" WB			
2WD	BL3Z 5A212 G	\$210.78	#1.4
4WD			
w/Chrome Exh Tip	BL3Z 5A212 E	\$154.01	#1.4
w/o Chrome Exh Tip	BL3Z 5A212 G	\$210.78	#1.4
163" WB	BL3Z 5A212 J	\$205.45	#1.4
#Includes R&R Muffler			
10 Muffler			
126" WB	BL3Z 5230 E	\$384.96	1.0
145" WB, 157" WB, 163" WB	BL3Z 5230 B	\$568.81	1.0
11 Hanger Assy, Muffler	AL3Z 5260 B	\$19.29	
12 Insulator, Hanger	AL3Z 5A262 A	\$11.40	
#Included w/Muffler Hanger Assy			
13 Hanger, Rear Muffler	9L3Z 5A246 A	\$32.98	
14 Hanger, Rear Pipe	9L3Z 5260 C	\$38.29	
15 Tip, Chrome Exhaust	BL3Z 5K238 A	\$75.00	.3

2011-14

2011-14 6.2L ENG



R&I Exhaust System Complete

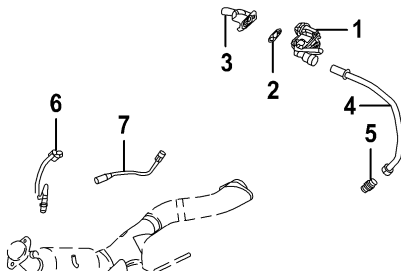
R&R Exhaust System Complete

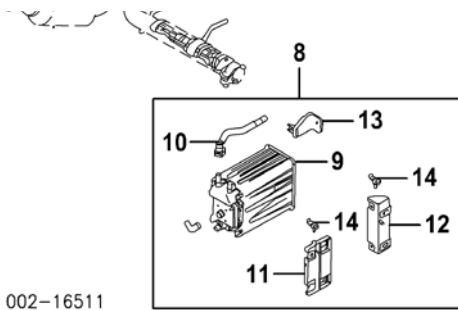
#Does Not Include R&R Exhaust Manifolds

1 Manifold, Exhaust	R	BC3Z 9430 DA	\$122.47	#4.4
	L	BC3Z 9431 DA	\$122.13	#4.4
#R&R Both Sides 5.2				
2 Gasket, Manifold (2/Side)	R	AL3Z 9448 A	\$9.83	
	L	AL3Z 9448 A	\$9.83	
3 Shield, Manifold Heat	R	AL3Z 9A462 A	\$29.03	
	L	AL3Z 9Y427 A	\$21.73	
4 Shield, Front Heat		AL3Z 5G221 A	\$34.18	
5 Shield, Side Heat	R	9L3Z 5G221 B	\$16.57	

	Shield, Rear Heat	L	9L3Z 5G221 B	\$16.57	
6	Right	R	9L3Z 5G221 A	\$45.30	
	Left				
7	Outer	L	AL3Z 5G221 C	\$7.95	
8	Inner	L	7L1Z 5E258 AB	\$61.22	
9	Pipe/Converter, Front	R	AL3Z 5E212 E	\$762.01	#2.3
		L	AL3Z 5E212 D	\$702.40	#1.2
	#R&R Both 3.0				
10	Sensor, Upper Oxygen-See Emission System Section				
11	Sensor, Lower Oxygen-See Emission System Section				
12	Bracket, Front Pipe-See Engine/Trans Mounts Section				
13	Insulator, Mount		9L3Z 5A262 A	\$12.34	
14	Extension, Muffler				
	145" WB				
	XLT, XTR Model		BL3Z 5A212 Q	\$225.70	#1.4
	FX2, FX4 Model		BL3Z 5A212 Q	\$225.70	#1.4
	Lariat, Platinum Model		BL3Z 5A212 S	\$171.10	#1.4
	Lariat Limited, Limited Model		BL3Z 5A212 S	\$171.10	#1.4
	Harley-Davidson Model		BL3Z 5A212 Q	\$225.70	#1.4
	157" WB		CL3Z 5A212 A	\$97.84	#1.4
	#Includes R&R Muffler				
15	Muffler				
	XLT, XTR Model		AL3Z 5230 G	\$765.45	1.0
	FX2, FX4 Model		AL3Z 5230 G	\$765.45	1.0
	Lariat, Platinum Model		BL3Z 5230 B	\$568.81	1.0
	Lariat Limited, Limited Model		BL3Z 5230 B	\$568.81	1.0
	Harley-Davidson Model		BL3Z 5230 C	\$608.97	1.0
16	Hanger Assy, Muffler		AL3Z 5260 B	\$19.29	
17	Insulator, Hanger		AL3Z 5A262 A	\$11.40	
	#Included w/Muffler Hanger Assy				
18	Hanger, Rear Muffler		9L3Z 5A246 A	\$32.98	
19	Hanger, Rear Pipe		9L3Z 5260 C	\$38.29	
20	Tip, Exhaust				
	Single		BL3Z 5K238 A	\$75.00	.3
	Dual				
	Chrome		BL3Z 5202 B	\$405.94	.3
	Stainless Steel		AL3Z 5202 A	\$161.04	.3

EMISSION SYSTEM





002-16511

1 Valve, EGR 4.6L Eng 16 Valve	09-10	7L3Z 9D475 B	\$179.02	#.8
2 Gasket, EGR Valve 4.6L Eng 16 Valve	09-10	2W7Z 9D476 AA	\$30.20	#.8
3 Manifold, EGR Valve 4.6L Eng 16 Valve	09-10	7W7Z 9E470 A	\$57.58	#.8
4 Tube, EGR 4.6L Eng 16 Valve	09-10	7L3Z 9D477 A	\$52.27	#.8
#R&R Complete				
5 Connector, Tube 4.6L Eng 16 Valve	09-10	F65Z 9F485 AA	\$30.32	
6 Sensor, Upper Oxygen 2009-10 4.6L Eng 16 Valve	R	8F9Z 9F472 B	\$170.05	#.8
	L	8F9Z 9F472 B	\$170.05	#.8
	R	8F9Z 9F472 B	\$170.05	#.8
	L	8F9Z 9F472 C	\$173.16	#.8
	R	8F9Z 9F472 B	\$170.05	#.8
	L	8F9Z 9F472 C	\$173.16	#.8
2011				
3.5L Turbo Eng	R	8F9Z 9F472 H	\$100.38	#.8
	L	8F9Z 9F472 G	\$107.55	#.8
3.7L Eng	R	BL3Z 9F472 A	\$215.84	#.8
	L	BL3Z 9F472 A	\$215.84	#.8
5.0L, 6.2L Eng To 1-3-11	R	8F9Z 9F472 D	\$164.84	#.8
	L	8F9Z 9F472 E	\$164.84	#.8
	R	8F9Z 9F472 H	\$100.38	#.8
	L	8F9Z 9F472 G	\$107.55	#.8
2012-14				
3.5L Turbo Eng	R	8F9Z 9F472 H	\$100.38	#.8
	L	8F9Z 9F472 G	\$107.55	#.8
3.7L Eng	R	BL3Z 9F472 A	\$215.84	#.8
	L	BL3Z 9F472 A	\$215.84	#.8
5.0L, 6.2L Eng	R	8F9Z 9F472 H	\$100.38	#.8

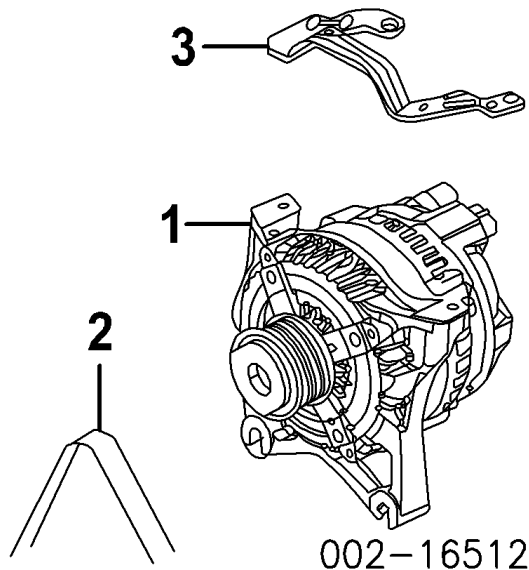
	L	8F9Z 9F472 G	\$107.55	#.8
<i>#R&R Both Sides 1.2</i>				
7 Sensor, Lower Oxygen	R	F85Z 9G444 F	\$116.76	.5
2009-10	L	F85Z 9G444 F	\$116.76	.5
2011-14				
3.5L Turbo, 3.7L Eng	R	BE5Z 9G444 A	\$111.35	.5
	L	BE5Z 9G444 A	\$111.35	.5
5.0L, 6.2L Eng	R	BL3Z 9G444 A	\$87.93	.5
	L	BL3Z 9G444 A	\$87.93	.5
8 Canister Assy, Vapor		9L3Z 9D653 C	\$275.75	1.5
9 Canister, Vapor		9U5Z 9C985 C	\$317.76	
10 Tube, Canister		9L3Z 9B033 A	\$38.55	
Bracket, Canister				
11 No. 1		9L3Z 9D665 A	\$23.73	
12 No. 2		9L3Z 9D665 B	\$22.51	
13 No. 3		9L3Z 9D665 D	\$9.13	
14 Clip, Mounting (a)		5F9Z 19B632 DA	\$2.06	

(a) As Required
Included w/Vapor Canister Assy

ELECTRICAL

ALTERNATOR

ALTERNATOR 2009-10



1 Alternator				
4.6L Eng				
16 Valve		9L3Z 10346 B	\$359.30	1.0
24 Valve				
w/Navigation System		AL1Z 10346 A	\$376.47	1.4
w/o Navigation System		9L3Z 10346 A	\$373.27	1.4
5.4L Eng		AL1Z 10346 A	\$376.47	1.0
2 Belt, Drive-See Cooling Section				

3 Bracket, Alternator

4.6L Eng

16 Valve

24 Valve

5.4L Eng

7L3Z 10153 A

\$17.38

6L2Z 10153 AA

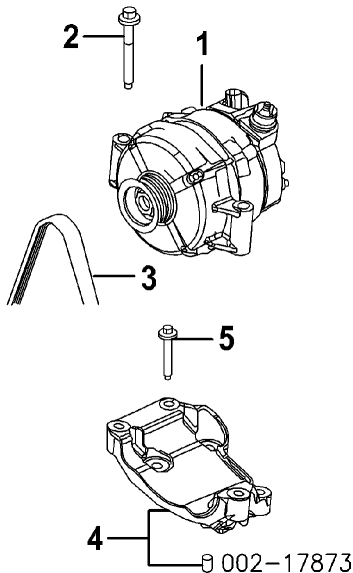
\$18.60

BC3Z 10153 A

\$14.10

ALTERNATOR

ALTERNATOR 2011-14



1 Alternator

3.5L Turbo Eng

2011

DG1Z 10346 C

\$536.23

1.4

2012-14

Heated/Cooled Driver Seat

DG1Z 10346 C

\$536.23

1.4

Heated, Non-Heated Driver Seat

w/Power Inverter

DG1Z 10346 C

\$536.23

1.4

w/o Power Inverter

CL3Z 10346 B

\$429.13

1.4

3.7L Eng

11

DG1Z 10346 C

\$536.23

1.4

12-14

CL3Z 10346 B

\$429.13

1.4

5.0L Eng

2011

AL3Z 10346 C

\$671.08

1.4

2012-14

Heated/Cooled Driver Seat

AL3Z 10346 C

\$671.08

1.4

Heated, Non-Heated Driver Seat

w/Power Inverter

AL3Z 10346 C

\$671.08

1.4

w/o Power Inverter

CL3Z 10346 A

\$419.48

1.4

6.2L Eng

150 Amp

2011-12

AL3Z 10346 B

\$369.28

1.1

2013-14 (a)

CC3Z 10346 A

\$293.17

1.1

200 Amp

BL3Z 10346 B

\$604.47

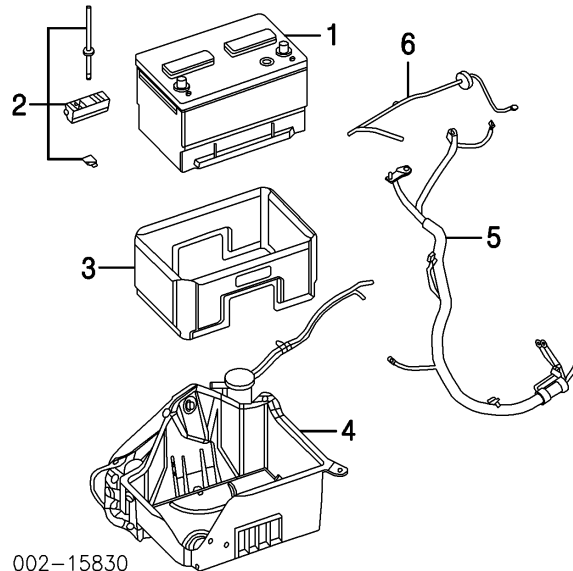
1.1

(a) Order by Application

2 Bolt, Mounting

3.5L Turbo, 3.7L, 5.0L Eng		* W715092 S437	\$4.00
6.2L Eng, (3)		* W503326 S437	\$3.08
3 Belt, Drive-See Cooling Section			
4 Bracket, Alternator			
6.2L Eng			
2011		AL3Z 10A313 C	\$20.98
2012			
To 11-27-11		AL3Z 10A313 C	\$20.98
From 11-27-11		AL3Z 10A313 D	\$19.15
2013-14		AL3Z 10A313 D	\$19.15
5 Bolt, Bracket Mtg (4)			
6.2L Eng		* W503301 S437	\$2.15

BATTERY



002-15830

1 Battery		N.A.		.3
2 Hold-Down, Battery		6F2Z 10756 A	\$9.22	
3 Cover, Battery		7L1Z 10A682 C	\$21.53	
4 Tray/Reservoir Assy, Battery-See Windshield Section				
5 Cable Set, Battery				
2009		9L3Z 14300 JA	\$152.34	1.3
2010		AL3Z 14300 A	\$120.70	1.3
2011-14				
3.5L Turbo Eng		BL3Z 14300 C	\$269.92	1.3
3.7L Eng		BL3Z 14300 A	\$251.08	1.3
5.0L Eng		DL3Z 14300 D	\$248.80	1.3
6.2L Eng		DL3Z 14300 C	\$138.40	1.3
6 Cable, Secondary Positive				
4.6L Eng				
16 Valve	09	AL3Z 14305 BA	\$46.50	
	10	AL3Z 14305 BA	\$46.50	
24 Valve	09	9L3Z 14305 BB	\$50.77	

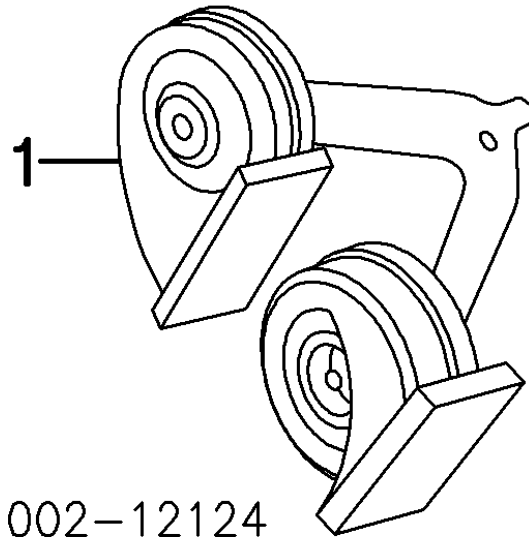
5.4L Eng

10
09
10

AL3Z 14305 CA
9L3Z 14305 CA
AL3Z 14305 BA

\$46.65
\$47.95
\$46.50

HORN



002-12124

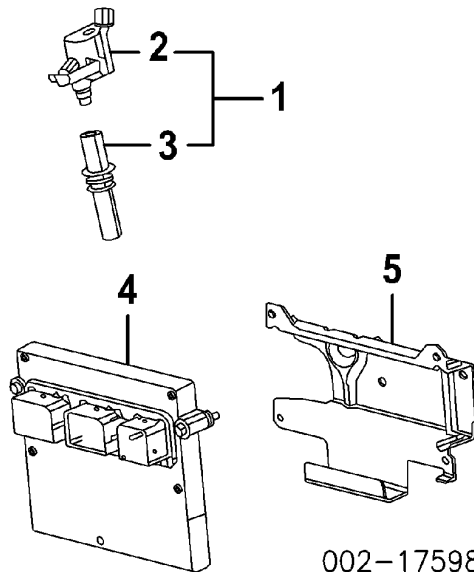
1 Horn Kit

9L3Z 13832 A

\$48.55

.3

IGNITION IGNITION 2009-10



002-17598

R&R Ignition Coils Complete

1 Coil Assy, Ignition (4/Side)

4.6L Eng

16 Valve-Serviced by Components

24 Valve

R

8L3Z 12029 A

\$89.76

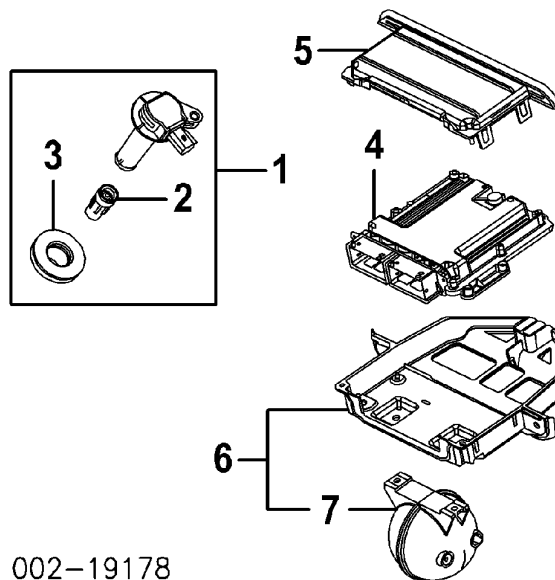
.4

1.5

5.4L Eng	L	8L3Z 12029 A	\$89.76	.4
	R	8L3Z 12029 A	\$89.76	.4
	L	8L3Z 12029 A	\$89.76	.4
2 Coil, Ignition (4/Side)				
4.6L Eng				
16 Valve	R	3W7Z 12029 AA	\$75.75	
	L	3W7Z 12029 AA	\$75.75	
24 Valve-Serviced w/Ignition Coil Assy				
5.4L Eng-Serviced w/Ignition Coil Assy				
3 Boot, Coil (4/Side)				
4.6L Eng				
16 Valve	R	F7TZ 12A402 AA	\$10.20	
	L	F7TZ 12A402 AA	\$10.20	
24 Valve	R	8L3Z 12A402 A	\$10.00	
	L	8L3Z 12A402 A	\$10.00	
5.4L Eng	R	8L3Z 12A402 A	\$10.00	
	L	8L3Z 12A402 A	\$10.00	
<i>Included w/Ignition Coil Assy</i>				
4 Module, Eng Control (a)	09	9L3Z 12A650 BCB	\$537.20	.8
	10	AL3Z 12A650 BVB	\$656.95	.8
<i>(a) Order by Application</i>				
5 Bracket, Module		9L3Z 12A659 A	\$18.68	

IGNITION

IGNITION 2011-14 3.5L TURBO ENG



002-19178

R&R Ignition Coils Complete

1 Coil Assy, Ignition (3/Side)	R	BL3Z 12029 C	\$76.47	.4
	L	BL3Z 12029 C	\$76.47	.4
2 Boot, Ign Coil (3/Side)	R	BL3Z 12A402 A	\$2.44	
	L	BL3Z 12A402 A	\$2.44	
3 Cover, Ign Coil (3/Side)	R	7T4Z 12025 A	\$21.87	

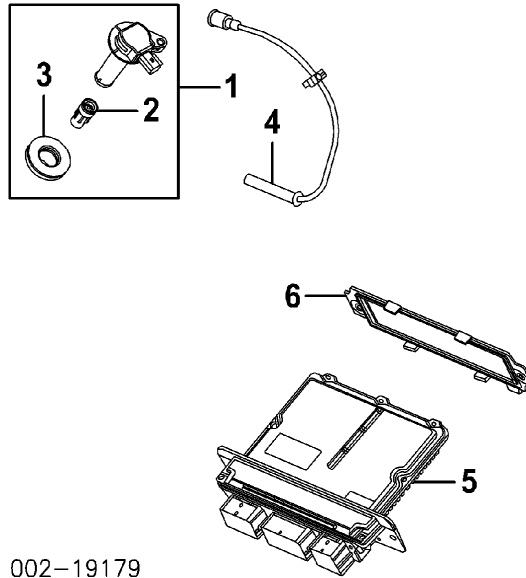
1.0

- Included w/Ignition Coil Assy
- 4 Module, Eng Control (a)
- (a) Order by Application
- 5 Cover, Upper Module
- 6 Cover Assy, Lower Module
- 11-12
- 13-14
- 7 Reservoir, Vacuum (b)
- (b) Included w/Lower Module Cover Assy

L	7T4Z 12025 A	\$21.87	
	BL3Z 12A650 AZE	\$754.05	.8
	BL3Z 12A659 B	\$27.80	
	BL3Z 12A659 A	\$29.40	
	DL3Z 12A659 A	\$12.45	
	BL3Z 9E453 A	\$7.83	.5

IGNITION

IGNITION 2011-14 3.7L, 5.0L, 6.2L ENG

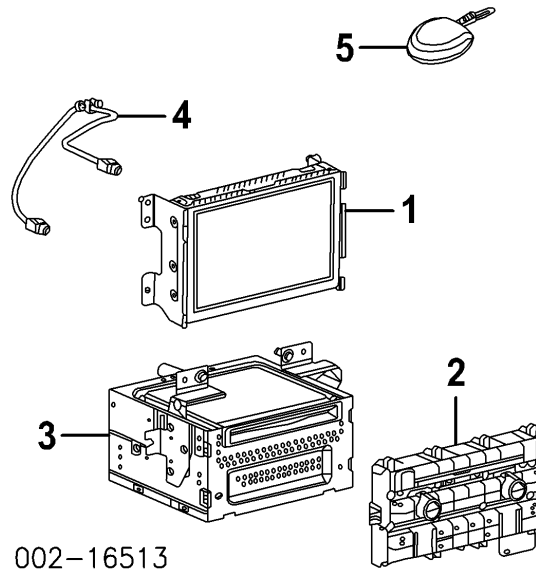


002-19179

R&R Ignition Coils Complete			
	3.7L Eng		1.0
	5.0L Eng		1.2
	6.2L Eng		1.6
1	Coil Assy, Ignition		
	3.7L Eng, (3/Side)	R	7T4Z 12029 E \$147.75 .4
		L	7T4Z 12029 E \$147.75 .4
	5.0L Eng, (4/Side)	R	BR3Z 12029 A \$62.29 .4
		L	BR3Z 12029 A \$62.29 .4
	6.2L Eng, (4/Side)	R	AL3Z 12029 A \$98.73 .4
		L	AL3Z 12029 B \$98.73 .4
2	Boot, Ign Coil		
	3.7L Eng, (3/Side)	R	BL3Z 12A402 A \$2.44
		L	BL3Z 12A402 A \$2.44
	5.0L, 6.2L Eng-Serviced w/Ignition Coil Assy		
3	Cover, Ign Coil		
	3.7L Eng, (3/Side)	R	7T4Z 12025 A \$21.87
		L	7T4Z 12025 A \$21.87
	5.0L, 6.2L Eng-Serviced w/Ignition Coil Assy		
	Included w/Ignition Coil Assy		

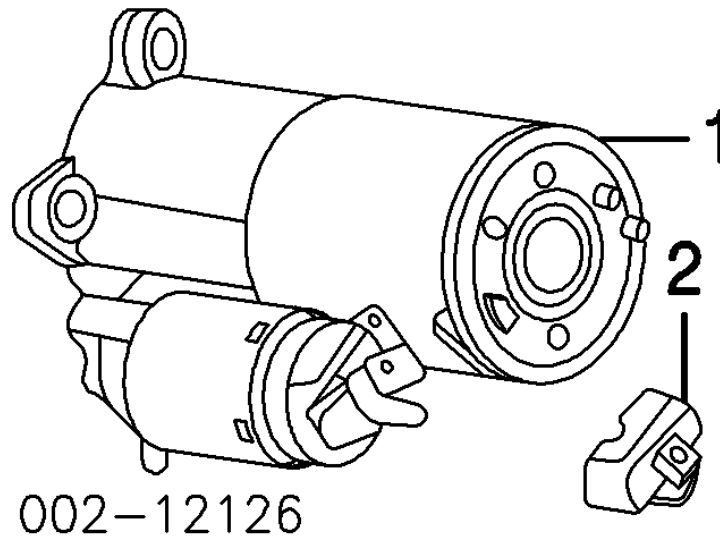
4 Wire, Ignition (4/Side)				
6.2L Eng				
2011	R	AL3Z 12286 A	\$18.78	.4
	L	AL3Z 12286 A	\$18.78	.4
2012				
To 12-6-11	R	AL3Z 12286 A	\$18.78	.4
	L	AL3Z 12286 A	\$18.78	.4
From 12-6-11	R	CC3Z 12286 C	\$26.46	.4
	L	CC3Z 12286 A	\$31.57	.4
2013				
	R	CC3Z 12286 C	\$26.46	.4
	L	CC3Z 12286 A	\$31.57	.4
2014				
To 11-1-13	R	CC3Z 12286 C	\$26.46	.4
	L	CC3Z 12286 A	\$31.57	.4
From 11-1-13 to 1-15-14	R	CC3Z 12286 A	\$31.57	.4
	L	CC3Z 12286 A	\$31.57	.4
From 1-15-14	R	CC3Z 12286 D	\$31.38	.4
	L	CC3Z 12286 D	\$31.38	.4
5 Module, Eng Control (a)				
3.7L Eng		BL3Z 12A650 ANA	\$338.92	.8
5.0L Eng		BL3Z 12A650 ABH	\$367.03	.8
6.2L Eng		BL3Z 12A650 ADG	\$350.95	.8
(a) Order by Application				
6 Bracket, Module		BL3Z 12A696 A	\$3.64	

NAVIGATION SYSTEM



002-16513				
1 Display, Navigation (a)				
(a) Order by Application				
2 Panel, Inst Control-See Instrument Panel Section				
3 Radio-See Instrument Panel Section				
4 Cable, Connector				
5 Antenna, Combination-See Cab Section				
		DL3Z 10D885 FA		.8
		9L3Z 10E929 A	\$55.55	

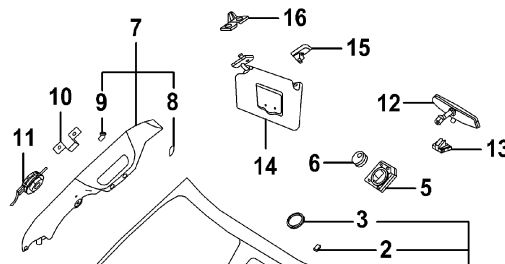
STARTER

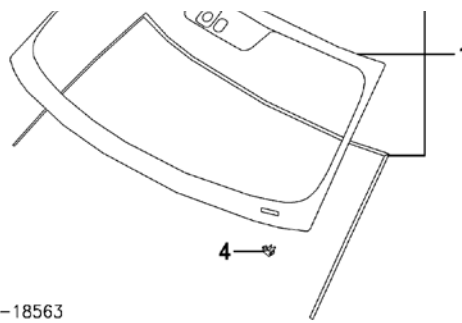


1 Starter				
2009-10	9L3Z 11002 A	\$379.00	1.0	
2011-12				
3.5L Turbo, 3.7L Eng	CK4Z 11002 A	\$105.78	1.0	
5.0L, 6.2L Eng	9L3Z 11002 A	\$379.00	1.0	
2013				
3.5L Turbo, 3.7L Eng	CK4Z 11002 A	\$105.78	1.0	
5.0L, 6.2L Eng				
To 11-15-12	9L3Z 11002 A	\$379.00	1.0	
From 11-15-12	DL3Z 11002 A	\$216.42	1.0	
2014				
3.5L Turbo, 3.7L Eng	CK4Z 11002 A	\$105.78	1.0	
5.0L, 6.2L Eng	DL3Z 11002 A	\$216.42	1.0	
2 Cover, Terminal				
2009-10	F6VZ 11N087 AB			
2011-14				
3.5L Turbo, 3.7L Eng	F68Z 11N087 A	\$8.38		
5.0L Eng	F6VZ 11N087 AB			

WINDSHIELD

Use Procedure Explanation 13 with the following text.





002-18563

R&I Windshield				#3.0
#Includes Clean Up Old Adhesive as Necessary				
Add to R&R Windshield				
w/Rain Sensor				.2
1 Glass Assy, Windshield				
Ford				
2009				
w/Rain Sensing Wipers	AL3Z 1503100 B	\$328.38		#2.5
w/o Rain Sensing Wipers	9L3Z 1503100 C	\$307.73		#2.5
2010				
w/Rain Sensing Wipers				
Platinum Model	AL3Z 1503100 B	\$328.38		#2.5
Harley-Davidson Model	AL3Z 1503100 A	\$413.10		#2.5
w/o Rain Sensing Wipers	9L3Z 1503100 C	\$307.73		#2.5
2011-12				
w/Rain Sensing Wipers	BL3Z 1503100 A	\$339.85		#2.5
w/o Rain Sensing Wipers	9L3Z 1503100 C	\$307.73		#2.5
2013				
w/Rain Sensing Wipers	BL3Z 1503100 A	\$339.85		#2.5
w/o Rain Sensing Wipers				
To 11-27-12	9L3Z 1503100 C	\$307.73		#2.5
From 11-27-12 to 12-17-12 (a)	DL3Z 1503100 B	\$327.42		#2.5
From 12-17-12				
w/XL Model	DL3Z 1503100 A	\$306.37		#2.5
w/o XL Model	DL3Z 1503100 B	\$327.42		#2.5
2014				
w/Rain Sensing Wipers	BL3Z 1503100 A	\$339.85		#2.5
w/o Rain Sensing Wipers				
w/XL Model	DL3Z 1503100 A	\$306.37		#2.5
w/o XL Model	DL3Z 1503100 B	\$327.42		#2.5
NAGS				
2009				
w/Rain Sensing Wipers				
Green	DW01748GTY	\$395.60		#2.5
Green/Blue Shade	DW01748GBY			#2.5
w/o Rain Sensing Wipers				
w/Logo				
Green	DW01749GTY	\$551.85		#2.5
Green/Blue Shade	DW01749GBY	\$551.85		#2.5
w/o Logo				
Green	DW01747GTY	\$287.80		#2.5

2010		Green/Blue Shade	DW01747GBY	\$287.80	#2.5		
		w/Rain Sensing Wipers					
		w/Harley-Davidson Model					
		Green	DW01749GTY	\$551.85	#2.5		
		Green/Blue Shade	DW01749GBY	\$551.85	#2.5		
		w/o Harley-Davidson Model					
		Green	DW01748GTY	\$395.60	#2.5		
		Green/Blue Shade	DW01748GBY		#2.5		
		w/o Rain Sensing Wipers					
		w/Logo					
		Green	DW01749GTY	\$551.85	#2.5		
		Green/Blue Shade	DW01749GBY	\$551.85	#2.5		
		w/o Logo					
		Green	DW01747GTY	\$287.80	#2.5		
		Green/Blue Shade	DW01747GBY	\$287.80	#2.5		
2011-12							
		w/Rain Sensing Wipers	DW01838GTY	\$554.65	#2.5		
		w/o Rain Sensing Wipers					
		w/Logo					
		Green	DW01749GTY	\$551.85	#2.5		
		Green/Blue Shade	DW01749GBY	\$551.85	#2.5		
		w/o Logo					
		Green	DW01747GTY	\$287.80	#2.5		
		Green/Blue Shade	DW01747GBY	\$287.80	#2.5		
2013-14							
		w/Rain Sensing Wipers	DW01838GTY	\$554.65	#2.5		
		w/o Rain Sensing Wipers					
		w/Acoustic Interlayer	DW01982GTY	\$561.15	#2.5		
		w/o Acoustic Interlayer	DW01981GTY	\$627.55	#2.5		
		(a) Order by Application					
		#Includes Clean Up Old Adhesive as Necessary					
2		Base, Mirror	F7AZ 17698 BA	\$20.00			
3		Bracket, Sensor (n)	8A5Z 19G382 A	\$75.95	#.5		
	09-10		11-14	BT4Z 19G382 A	\$148.82	#.5	
		(n) Non-Reusable Part					
		Included w/Windshield Glass Assy					
		#Includes R&R Sensor					
		Adhesive, Glass (a)	N.A.				
		(a) As Required					
4		Stopper, Glass	R	9L3Z 14030A12 A	\$7.83		
			L	9L3Z 14030A12 A	\$7.83		
5		Cover, Sensor	09-10	9L3Z 17D550 A	\$16.55		
			11-14	BL3Z 17D550 A	\$8.50		
6		Sensor, Rain	09-10	8A5Z 17D547 E	\$108.88	.2	
			11-13	BT4Z 17D547 D	\$65.87	.2	
			14	BT4Z 17D547 D	\$65.87	.2	
7		Garnish Assy, Inner Windshield (a)					
		w/Sony Sound System	09-10	R	9L3Z 1503598 GA	\$201.77	.3
				L	BL3Z 1503599 BC	\$178.65	.3
			11-14	R	BL3Z 1503598 BC	\$200.32	.3
				L	BL3Z 1503599 BC	\$178.65	.3

w/o Sony Sound System	09-11	R	9L3Z 1503598 CA	\$108.23	.2
		L	9L3Z 1503599 CA	\$104.28	.2
	12-14	R	CL3Z 1503598 AB	\$156.68	.2
		L	CL3Z 1503599 AB	\$125.33	.2
8 Cap, Garnish (a) (c)					
Upper		R	9L3Z 1531458 CA	\$19.15	
Lower		R	9L3Z 1531458 GA	\$19.15	
(a) Black listed, Order by Application					
9 Clip, Trim (a) (c)		R	* W704021 S424	\$2.00	
		L	* W704021 S424	\$2.00	
(a) As Required					
(c) Included w/Inner Windshield Garnish Assy					
10 Bracket, Garnish		R	9L3Z 15312A48 A	\$10.83	
		L	9L3Z 15312A49 A	\$7.93	
11 Speaker, Pillar					
w/Sony Sound System	09-10	R	BL3Z 18978 B	\$30.00	#.3
		L	9L3Z 18978 A	\$30.13	#.3
	11-12	R	BL3Z 18978 B	\$30.00	#.3
		L	BL3Z 18978 A	\$24.86	#.3
	13	R	CL3Z 18978 A	\$42.34	#.3
		L	CL3Z 18978 B	\$42.34	#.3
#Included in R&R Windshield Garnish					
12 Mirror, Rear View					
Manual			6U5Z 17700 A	\$45.52	.2
Electrochromic					
2009					
w/Rear View Camera					
w/Sync System			8U5Z 17700 X	\$1,062.38	.2
w/o Sync System			8U5Z 17700 L	\$977.93	.2
w/o Rear View Camera					
w/Microphone					
w/Compass			8U5Z 17700 Y	\$303.92	.2
w/o Compass			8U5Z 17700 Z	\$245.22	.2
w/o Microphone			8U5Z 17700 G	\$232.52	.2
2010					
To 2-1-10					
w/Rear View Camera					
w/Sync System			8U5Z 17700 X	\$1,062.38	.2
w/o Sync System			8U5Z 17700 L	\$977.93	.2
w/o Rear View Camera					
w/Microphone (a)			8U5Z 17700 Y	\$303.92	.2
w/o Microphone			8U5Z 17700 G	\$232.52	.2
From 2-1-10					
w/Rear View Camera			8U5Z 17700 L	\$977.93	.2
w/o Rear View Camera					
w/Compass			8U5Z 17700 G	\$232.52	.2
w/o Compass			BU5Z 17700 D	\$187.58	.2
2011-14					
w/Rear View Camera			BU5Z 17700 L	\$1,130.85	.2
w/o Rear View Camera					
w/Compass			BU5Z 17700 G	\$239.47	.2

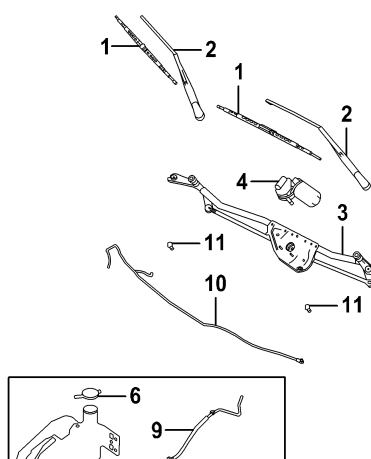
	w/o Compass			BU5Z 17700 D	\$187.58	.2
	(a) Order by Application					
13	Compass	09-10		6L2Z 19A548 A	\$51.14	
		11-14		BL3Z 19A548 B	\$50.34	
14	Visor, Sun (a)					
	Regular Cab	09-10	R	9L3Z 1504104 BA	\$119.75	.2
			L	9L3Z 1504105 BA	\$119.75	.2
		11-14	R	CL3Z 1504104 AA	\$109.70	.2
			L	CL3Z 1504105 AA	\$103.95	.2
	Extended Cab					
	Illuminated					
	w/GDO	09-10	R	9L3Z 1504104 CA	\$91.02	.2
			L	AL3Z 1504105 FA	\$445.12	.2
		11-14	R	CL3Z 1504104 DB	\$101.00	.2
			L	CL3Z 1504105 FC	\$281.07	.2
	w/o GDO	09-10	R	9L3Z 1504104 CA	\$91.02	.2
			L	9L3Z 1504105 CA	\$137.48	.2
		11-14	R	CL3Z 1504104 DB	\$101.00	.2
			L	CL3Z 1504105 EC	\$107.65	.2
	Non-Illuminated	09-10	R	CL3Z 1504104 DC	\$104.32	.2
			L	9L3Z 1504105 BA	\$119.75	.2
		11	R	CL3Z 1504104 AA	\$109.70	.2
			L	CL3Z 1504105 BC	\$46.62	.2
		12-14	R	CL3Z 1504104 BB	\$113.78	.2
			L	CL3Z 1504105 BB	\$113.70	.2
	Crew Cab					
	XL Model	09-10	R	9L3Z 1504104 BA	\$119.75	.2
			L	9L3Z 1504105 BA	\$119.75	.2
		11-14	R	CL3Z 1504104 BC	\$111.40	.2
			L	CL3Z 1504105 BC	\$46.62	.2
	XLT, FX4 Model					
	w/GDO		R	9L3Z 1504104 CA	\$91.02	.2
			L	AL3Z 1504105 FA	\$445.12	.2
	w/o GDO		R	9L3Z 1504104 CA	\$91.02	.2
			L	9L3Z 1504105 CA	\$137.48	.2
	XTR, FX2 Model					
	w/GDO		R	9L3Z 1504104 CA	\$91.02	.2
			L	AL3Z 1504105 FA	\$445.12	.2
	w/o GDO		R	9L3Z 1504104 CA	\$91.02	.2
			L	9L3Z 1504105 CA	\$137.48	.2
	Lariat, King Ranch Model					
	w/GDO		R	9L3Z 1504104 CB	\$114.88	.2
			L	AL3Z 1504105 FA	\$445.12	.2
	w/o GDO		R	9L3Z 1504104 CB	\$114.88	.2
			L	9L3Z 1504105 CA	\$137.48	.2
	Platinum Model					
	w/GDO		R	CL3Z 1504104 DB	\$101.00	.2
			L	CL3Z 1504105 FB	\$281.07	.2
	w/o GDO		R	CL3Z 1504104 DB	\$101.00	.2
			L	CL3Z 1504105 EB	\$107.65	.2
	Lariat Limited Model					

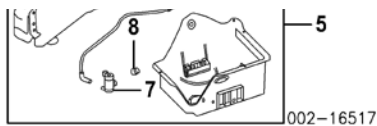
w/GDO	R	CL3Z 1504104 DC	\$104.32	.2
	L	CL3Z 1504105 FC	\$281.07	.2
w/o GDO	R	CL3Z 1504104 DC	\$104.32	.2
	L	CL3Z 1504105 EC	\$107.65	.2
Harley-Davidson Model				
w/GDO	R	CL3Z 1504104 DB	\$101.00	.2
	L	CL3Z 1504105 FB	\$281.07	.2
w/o GDO	R	CL3Z 1504104 DB	\$101.00	.2
	L	CL3Z 1504105 EB	\$107.65	.2
Limited Model	R	CL3Z 1504104 DC	\$104.32	.2
	L	CL3Z 1504105 FC	\$281.07	.2
15 Holder, Visor (a)				
Regular Cab, Extended Cab	09-10	R	AL3Z 1504132 AA	\$13.93
		L	AL3Z 1504132 AA	\$13.93
	11-14	R	BL3Z 1504132 AB	\$7.85
		L	BL3Z 1504132 AB	\$7.85
Crew Cab				
2009-10				
XL, XLT, FX4 Model	R	AL3Z 1504132 AA	\$13.93	
	L	AL3Z 1504132 AA	\$13.93	
XTR, FX2 Model	R	AL3Z 1504132 AA	\$13.93	
	L	AL3Z 1504132 AA	\$13.93	
Lariat, King Ranch Model	R	AL3Z 1504132 AA	\$13.93	
	L	AL3Z 1504132 AA	\$13.93	
Platinum Model	R	AL3Z 1504132 AC	\$15.02	
	L	AL3Z 1504132 AC	\$15.02	
Harley-Davidson Model	R	AL3Z 1504132 AA	\$13.93	
	L	AL3Z 1504132 AA	\$13.93	
2011-14				
w/Chrome Pkg	R	BL3Z 1504132 AB	\$7.85	
	L	BL3Z 1504132 AB	\$7.85	
w/o Chrome Pkg	R	AL3Z 1504132 AC	\$15.02	
	L	AL3Z 1504132 AC	\$15.02	

(a) Order by Application

16 Bracket, Sun Visor-See Cab Section

WIPER SYSTEM



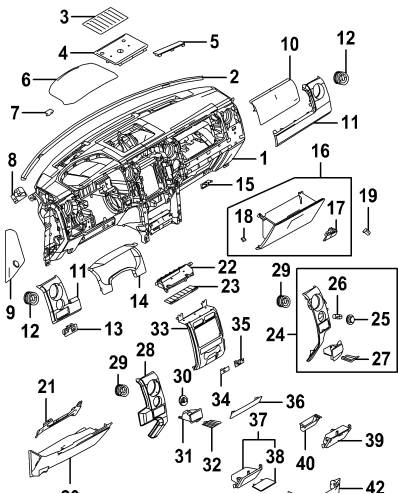


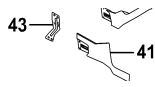
1 Blade, Wiper	R	BC3Z 17528 C	\$17.48	.1
	L	BC3Z 17528 C	\$17.48	.1
2 Arm, Wiper	R	9L3Z 17526 A	\$16.42	#.2
	L	9L3Z 17527 A	\$16.42	#.2
<i>#Includes R&R Wiper Blade</i>				
3 Linkage, Wiper				
2009-10				
w/Rain Sensing Wipers		9L3Z 17500 A	\$188.53	#1.0
w/o Rain Sensing Wipers		9L3Z 17508 C	\$184.18	#1.0
2011-14		BL3Z 17566 A	\$57.68	#1.0
4 Motor, Wiper				
2009-10				
w/Rain Sensing Wipers		9L3Z 17508 A	\$158.68	#1.0
w/o Rain Sensing Wipers		8L3Z 17508 B	\$141.60	#1.0
2011-14		BL3Z 17508 A	\$160.15	#1.0
<i>#R&R Complete, Includes R&I/R&R Cowl Grille Assy</i>				
5 Tray/Reservoir Assy, Battery		CL3Z 10732 B	\$150.32	#.8
<i>#w/Battery Removed</i>				
6 Cap, Washer Reservoir		F2UZ 17632 A	\$7.18	
7 Pump, Washer		8C3Z 17664 A	\$39.00	
8 Seal, Washer Pump		E6FZ 17B610 A	\$3.59	
9 Hose, Washer Pump		9L3Z 17K605 A	\$6.95	
<i>Included w/Battery Tray/Reservoir Assy</i>				
10 Hose, Washer-See Cab Section				
11 Nozzle, Washer	R	3W7Z 17603 AA	\$11.28	#.2
	L	3W7Z 17603 AA	\$11.28	#.2

#R&R Complete, w/Cowl Grille Removed, Included in R&R Cowl Grille

INSTRUMENT PANEL

Use Procedure Explanation 14 with the following text.





R&I Instrument Panel

#6.0

#Includes R&I Steering Column

NOTE: All Parts in this section are included in R&R Instrument Panel unless noted otherwise.

1 Panel, Instrument

2009

XL, STX, XLT Model	AL3Z 1504320 AA	\$1,470.42	#8.7
FX4 Model			
w/Flow Thru Console	AL3Z 1504320 CC	\$1,484.33	#8.7
w/o Flow Thru Console	AL3Z 1504320 BA	\$1,627.78	#8.7
Lariat Model			
w/Flow Thru Console			
Black	AL3Z 1504320 CC	\$1,484.33	#8.7
Camel	AL3Z 1504320 CD	\$1,484.48	#8.7
w/o Flow Thru Console			
Black	AL3Z 1504320 BA	\$1,627.78	#8.7
Camel	AL3Z 1504320 BB	\$1,677.60	#8.7
King Ranch Model	AL3Z 1504320 CE	\$1,485.93	#8.7
Platinum Model			
Black	AL3Z 1504320 CB	\$642.33	#8.7
Stone	AL3Z 1504320 CA	\$1,505.10	#8.7

2010

XL, STX Model	AL3Z 1504320 AA	\$1,470.42	#8.7
XLT Model			
w/Flow Thru Console	AL3Z 1504320 CC	\$1,484.33	#8.7
w/o Flow Thru Console	AL3Z 1504320 AA	\$1,470.42	#8.7
XTR Model	AL3Z 1504320 AA	\$1,470.42	#8.7
FX2 Model	AL3Z 1504320 CC	\$1,484.33	#8.7
FX4 Model			
w/Flow Thru Console	AL3Z 1504320 CC	\$1,484.33	#8.7
w/o Flow Thru Console	AL3Z 1504320 BA	\$1,627.78	#8.7
Lariat Model			
w/Flow Thru Console			
Black	AL3Z 1504320 CC	\$1,484.33	#8.7
Camel	AL3Z 1504320 CD	\$1,484.48	#8.7
w/o Flow Thru Console			
Black	AL3Z 1504320 BA	\$1,627.78	#8.7
Camel	AL3Z 1504320 BB	\$1,677.60	#8.7
King Ranch Model	AL3Z 1504320 CE	\$1,485.93	#8.7
Platinum Model			
Black	AL3Z 1504320 CB	\$642.33	#8.7
Stone	AL3Z 1504320 CA	\$1,505.10	#8.7
Harley-Davidson Model	AL3Z 1504320 CC	\$1,484.33	#8.7

2011-12

XL, STX Model			
Adobe	BL3Z 1504320 AB	\$1,525.42	#8.7
Steel	BL3Z 1504320 AA	\$1,477.40	#8.7
XLT Model			

w/Flow Thru Console		BL3Z 1504320 CA	\$1,008.08	#8.7
w/o Flow Thru Console				
Adobe		BL3Z 1504320 AB	\$1,525.42	#8.7
Steel		BL3Z 1504320 AA	\$1,477.40	#8.7
XTR Model				
Adobe		BL3Z 1504320 AB	\$1,525.42	#8.7
Steel		BL3Z 1504320 AA	\$1,477.40	#8.7
FX2 Model		AL3Z 1504320 CC	\$1,484.33	#8.7
FX4 Model				
w/Flow Thru Console		BL3Z 1504320 CA	\$1,008.08	#8.7
w/o Flow Thru Console		BL3Z 1504320 BA	\$804.65	#8.7
Lariat Model				
w/Flow Thru Console				
Adobe		BL3Z 1504320 CB	\$917.12	#8.7
Black		BL3Z 1504320 CA	\$1,008.08	#8.7
w/o Flow Thru Console				
Adobe		BL3Z 1504320 BB	\$760.37	#8.7
Black		BL3Z 1504320 BA	\$804.65	#8.7
King Ranch Model		BL3Z 1504320 CC	\$1,330.02	#8.7
Platinum Model				
Black		BL3Z 1504320 CA	\$1,008.08	#8.7
Steel		BL3Z 1504320 CD	\$1,479.42	#8.7
Lariat Limited Model				
Adobe		BL3Z 1504320 CB	\$917.12	#8.7
Black		BL3Z 1504320 CA	\$1,008.08	#8.7
Harley-Davidson Model		BL3Z 1504320 CA	\$1,008.08	#8.7
2013-14 (a)				
w/Flow Thru Console				
w/Armrest		DL3Z 1504320 CD	\$1,448.53	#8.7
w/o Armrest		DL3Z 1504320 CC	\$1,652.50	#8.7
w/o Flow Thru Console		DL3Z 1504320 BB	\$1,373.02	#8.7
(a) Black listed, Order by Application				
#Includes R&I Steering Column				
2 Seal, Inst Panel		BL3Z 15044N32 A	\$8.05	
3 Mat, Inst Panel				
w/Sony Sound System		9L3Z 15045G34 BA	\$46.22	
w/o Sony Sound System		9L3Z 15045G34 AA	\$16.15	
4 Panel, Upper				
w/Sony Sound System		CL3Z 15042A82 BA	\$235.07	.3
w/o Sony Sound System		9L3Z 15042A82 AA	\$75.22	.3
5 Cover, Inst Panel				
XL, STX Model				
2009-10	R	9L3Z 15043C54 AC	\$28.70	
	L	9L3Z 15043C54 BC	\$30.98	
2011-13				
Adobe	R	9L3Z 15043C54 AC	\$28.70	
	L	9L3Z 15043C54 BC	\$30.98	
Steel	R	9L3Z 15043C54 AA	\$30.52	
	L	9L3Z 15043C54 BA	\$30.52	
XLT Model				
w/Flow Thru Console	R	9L3Z 15043C54 AA	\$30.52	

	L	9L3Z 15043C54 BA	\$30.52	
w/o Flow Thru Console				
2009-10	R	9L3Z 15043C54 AC	\$28.70	
	L	9L3Z 15043C54 BC	\$30.98	
2011-14				
Adobe	R	9L3Z 15043C54 AC	\$28.70	
	L	9L3Z 15043C54 BC	\$30.98	
Steel	R	9L3Z 15043C54 AA	\$30.52	
	L	9L3Z 15043C54 BA	\$30.52	
XTR Model				
2010	R	9L3Z 15043C54 AC	\$28.70	
	L	9L3Z 15043C54 BC	\$30.98	
2011-14				
Adobe	R	9L3Z 15043C54 AC	\$28.70	
	L	9L3Z 15043C54 BC	\$30.98	
Steel	R	9L3Z 15043C54 AA	\$30.52	
	L	9L3Z 15043C54 BA	\$30.52	
FX2, Tremor Model	R	9L3Z 15043C54 AA	\$30.52	
	L	9L3Z 15043C54 BA	\$30.52	
FX4 Model	09-10	R	9L3Z 15043C54 AA	\$30.52
		L	9L3Z 15043C54 BA	\$30.52
	11-14	R	9L3Z 15043C54 AD	\$26.48
		L	9L3Z 15043C54 BD	\$30.52
Lariat Model				
Adobe	R	9L3Z 15043C54 AC	\$28.70	
	L	9L3Z 15043C54 BC	\$30.98	
Black	09-10	R	9L3Z 15043C54 AA	\$30.52
		L	9L3Z 15043C54 BA	\$30.52
	11-14	R	9L3Z 15043C54 AD	\$26.48
		L	9L3Z 15043C54 BD	\$30.52
Camel	R	9L3Z 15043C54 AC	\$28.70	
	L	9L3Z 15043C54 BC	\$30.98	
Steel	R	9L3Z 15043C54 AA	\$30.52	
	L	9L3Z 15043C54 BA	\$30.52	
King Ranch Model	R	9L3Z 15043C54 AB	\$23.07	
	L	9L3Z 15043C54 BB	\$30.98	
Platinum Model				
Black	R	9L3Z 15043C54 AD	\$26.48	
	L	9L3Z 15043C54 BD	\$30.52	
Stone	R	9L3Z 15043C54 AC	\$28.70	
	L	9L3Z 15043C54 BC	\$30.98	
Steel	R	9L3Z 15043C54 AA	\$30.52	
	L	9L3Z 15043C54 BA	\$30.52	
Lariat Limited Model				
Adobe	R	9L3Z 15043C54 AC	\$28.70	
	L	9L3Z 15043C54 BC	\$30.98	
Black	R	9L3Z 15043C54 AA	\$30.52	
	L	9L3Z 15043C54 BA	\$30.52	
Harley-Davidson, Limited Model	R	9L3Z 15043C54 AA	\$30.52	
	L	9L3Z 15043C54 BA	\$30.52	

6 Trim, Upper Dash				
XL, STX Model-Serviced w/Instrument Panel				
XLT Model				
w/Flow Thru Console		9L3Z 15045F20 AA	\$131.72	.4
w/o Flow Thru Console-Serviced				
w/Instrument Panel				
XTR Model-Serviced w/Instrument Panel				
FX2 Model		9L3Z 15045F20 BA	\$231.55	.4
FX4, Tremor Model		9L3Z 15045F20 AA	\$131.72	.4
Lariat Model				
Adobe		BL3Z 15045F20 BA	\$244.35	.4
Black	09-10	9L3Z 15045F20 BA	\$231.55	.4
	11-14	BL3Z 15045F20 BC	\$228.38	.4
Camel		9L3Z 15045F20 BC	\$231.50	.4
Steel		BL3Z 15045F20 BC	\$228.38	.4
King Ranch Model	09-10	9L3Z 15045F20 BB	\$270.10	.4
	11-12	BL3Z 15045F20 BB	\$285.00	.4
	13-14	DL3Z 15045F20 BA	\$263.65	.4
Platinum Model	09-10	9L3Z 15045F20 BD	\$91.02	.4
	11-14	BL3Z 15045F20 BC	\$228.38	.4
Lariat Limited Model				
Adobe		BL3Z 15045F20 BA	\$244.35	.4
Black		BL3Z 15045F20 BC	\$228.38	.4
Harley-Davidson Model	10	9L3Z 15045F20 BA	\$231.55	.4
	11-12	BL3Z 15045F20 BC	\$228.38	.4
Limited Model		BL3Z 15045F20 BC	\$228.38	.4
7 Cover, Sensor				
XL, STX, XLT Model		9L3Z 25044F58 AB	\$14.98	
XTR Model	10-14	9L3Z 25044F58 AB	\$14.98	
8 Brace, Inst Panel		9L3Z 15045D56 A	\$16.90	
9 Panel, Side				
XL, STX Model				
2009-10	R	9L3Z 1504480 AD	\$26.68	.1
	L	9L3Z 1504481 AD	\$26.68	.1
2011-14				
Adobe	R	9L3Z 1504480 AD	\$26.68	.1
	L	9L3Z 1504481 AD	\$26.68	.1
Steel	R	9L3Z 1504480 AC	\$26.68	.1
	L	9L3Z 1504481 AC	\$26.68	.1
XLT Model				
w/Flow Thru Console	R	9L3Z 1504480 AC	\$26.68	.1
	L	9L3Z 1504481 AC	\$26.68	.1
w/o Flow Thru Console				
2009-10	R	9L3Z 1504480 AD	\$26.68	.1
	L	9L3Z 1504481 AD	\$26.68	.1
2011-14				
Adobe	R	9L3Z 1504480 AD	\$26.68	.1
	L	9L3Z 1504481 AD	\$26.68	.1
Steel	R	9L3Z 1504480 AC	\$26.68	.1
	L	9L3Z 1504481 AC	\$26.68	.1

XTR Model					
2010		R	9L3Z 1504480 AD	\$26.68	.1
		L	9L3Z 1504481 AD	\$26.68	.1
2011-14					
Adobe		R	9L3Z 1504480 AD	\$26.68	.1
		L	9L3Z 1504481 AD	\$26.68	.1
Steel		R	9L3Z 1504480 AC	\$26.68	.1
		L	9L3Z 1504481 AC	\$26.68	.1
FX2, FX4, Tremor Model					
		R	9L3Z 1504480 AC	\$26.68	.1
		L	9L3Z 1504481 AC	\$26.68	.1
Lariat Model					
Adobe		R	BL3Z 1504480 AA	\$18.85	.1
		L	BL3Z 1504481 AA	\$22.33	.1
Black		R	9L3Z 1504480 AC	\$26.68	.1
		L	9L3Z 1504481 AC	\$26.68	.1
Camel		R	9L3Z 1504480 AB	\$26.55	.1
		L	9L3Z 1504481 AB	\$26.68	.1
Steel		R	BL3Z 1504480 AB	\$41.02	.1
		L	BL3Z 1504481 AB	\$21.17	.1
King Ranch Model					
	09-10	R	9L3Z 1504480 AB	\$26.55	.1
		L	9L3Z 1504481 AB	\$26.68	.1
	11-14	R	BL3Z 1504480 AA	\$18.85	.1
		L	BL3Z 1504481 AA	\$22.33	.1
Platinum Model					
Black		R	9L3Z 1504480 AC	\$26.68	.1
		L	9L3Z 1504481 AC	\$26.68	.1
Stone		R	9L3Z 1504480 AA	\$27.22	.1
		L	9L3Z 1504481 AA	\$26.28	.1
Steel		R	BL3Z 1504480 AB	\$41.02	.1
		L	BL3Z 1504481 AB	\$21.17	.1
Lariat Limited Model					
Adobe		R	BL3Z 1504480 AA	\$18.85	.1
		L	BL3Z 1504481 AA	\$22.33	.1
Black		R	9L3Z 1504480 AC	\$26.68	.1
		L	9L3Z 1504481 AC	\$26.68	.1
Harley-Davidson, Limited Model					
		R	9L3Z 1504480 AC	\$26.68	.1
		L	9L3Z 1504481 AC	\$26.68	.1
10 Module Assy, Passenger Air Bag-See Air Bag System Section					
11 Trim, Outer Panel					
XL, STX Model-Serviced w/Instrument Panel					
XLT Model					
w/Flow Thru Console		R	BL3Z 1504338 AC	\$103.45	.3
		L	BL3Z 1504338 AD	\$79.55	.3
w/o Flow Thru Console-Serviced					
w/Instrument Panel					
XTR Model-Serviced w/Instrument Panel					
FX2, FX4 Model	09-11	R	BL3Z 1504338 AC	\$103.45	.3
		L	BL3Z 1504338 AD	\$79.55	.3
	12-14	R	CL3Z 1504338 DA	\$299.47	.3

	L		CL3Z 1504338 DB	\$248.68	.3
Tremor Model					
2WD	R		BL3Z 1504338 AC	\$103.45	.3
	L		BL3Z 1504338 AD	\$79.55	.3
4WD	R		CL3Z 1504338 DA	\$299.47	.3
	L		CL3Z 1504338 DB	\$248.68	.3
Lariat Model	R		BL3Z 1504338 AC	\$103.45	.3
	L		BL3Z 1504338 AD	\$79.55	.3
King Ranch Model	R		BL3Z 1504338 AC	\$103.45	.3
	L		BL3Z 1504338 AD	\$79.55	.3
Platinum Model					
2009-10					
Black	R		9L3Z 1504338 BH	\$311.83	.3
	L		9L3Z 1504338 BK	\$261.45	.3
Stone	R		9L3Z 1504338 BG	\$312.30	.3
	L		9L3Z 1504338 BJ	\$261.37	.3
2011-14	R		BL3Z 1504338 BF	\$311.85	.3
	L		BL3Z 1504338 BG	\$262.75	.3
Lariat Limited Model	R		BL3Z 1504338 AC	\$103.45	.3
	L		BL3Z 1504338 AD	\$79.55	.3
Harley-Davidson Model	10	R	AL3Z 1504338 CA	\$239.67	.3
		L	AL3Z 1504338 CB	\$185.12	.3
	11-12	R	BL3Z 1504338 CD	\$247.00	.3
		L	BL3Z 1504338 CE	\$186.48	.3
Limited Model	R		BL3Z 1504338 AC	\$103.45	.3
	L		BL3Z 1504338 AD	\$79.55	.3
12 Grille, Outer Vent					
XL, STX Model	R		9L3Z 19893 AA	\$29.17	.2
	L		9L3Z 19893 AA	\$29.17	.2
XLT, Lariat Model	R		9L3Z 19893 CA	\$46.53	.2
	L		9L3Z 19893 CA	\$46.53	.2
FX4 Model					
2009-11	R		9L3Z 19893 CA	\$46.53	.2
	L		9L3Z 19893 CA	\$46.53	.2
2012-14					
w/FX Appearance Pkg	R		CL3Z 19893 EA	\$23.03	.2
	L		CL3Z 19893 EA	\$23.03	.2
w/o FX Appearance Pkg	R		9L3Z 19893 CA	\$46.53	.2
	L		9L3Z 19893 CA	\$46.53	.2
XTR Model	R		9L3Z 19893 CA	\$46.53	.2
	L		9L3Z 19893 CA	\$46.53	.2
FX2 Model					
2010-11	R		9L3Z 19893 CA	\$46.53	.2
	L		9L3Z 19893 CA	\$46.53	.2
2012-14					
w/FX Appearance Pkg	R		CL3Z 19893 EA	\$23.03	.2
	L		CL3Z 19893 EA	\$23.03	.2
w/o FX Appearance Pkg	R		9L3Z 19893 CA	\$46.53	.2
	L		9L3Z 19893 CA	\$46.53	.2
Tremor Model	R		CL3Z 19893 EA	\$23.03	.2

		L	CL3Z 19893 EA	\$23.03	.2
King Ranch, Platinum Model		R	9L3Z 19893 CA	\$46.53	.2
		L	9L3Z 19893 CA	\$46.53	.2
Lariat Limited, Limited Model		R	9L3Z 19893 CA	\$46.53	.2
		L	9L3Z 19893 CA	\$46.53	.2
Harley-Davidson Model	10	R	AL3Z 19893 BA	\$41.25	.2
		L	AL3Z 19893 BA	\$41.25	.2
	11-12	R	BL3Z 19893 BA	\$55.33	.2
		L	BL3Z 19893 BA	\$55.33	.2
13 Bezel, Switch					
Fixed Foot Pedals	09-10		9L3Z 15042D82 AB	\$28.57	
	11-14		BL3Z 15042D82 AA	\$25.52	
Adjustable Foot Pedals			9L3Z 15042D82 AA	\$44.23	
14 Bezel, Inst Cluster					
2009-10					
Black			9L3Z 15044D70 AC	\$175.12	.4
Camel			9L3Z 15044D70 AB	\$156.35	.4
Stone			9L3Z 15044D70 AA	\$156.43	.4
2011-14					
w/Flow Thru Console					
Adobe			BL3Z 15044D70 BB	\$164.32	.4
Black			BL3Z 15044D70 BC	\$158.18	.4
Steel			BL3Z 15044D70 BA	\$76.08	.4
w/o Flow Thru Console					
Adobe			BL3Z 15044D70 AB	\$188.68	.4
Black			BL3Z 15044D70 AC	\$158.27	.4
Steel			BL3Z 15044D70 AA	\$174.10	.4
15 Striker, Glove Box			9L3Z 1506064 A	\$7.65	
16 Box Assy, Glove					
XL, STX Model	09-10		CL3Z 1506024 AD	\$104.27	.4
	11-14		CL3Z 1506024 AC	\$104.27	.4
XLT, XTR Model					
2009-10			CL3Z 1506024 AD	\$104.27	.4
2011-14					
Adobe			CL3Z 1506024 AD	\$104.27	.4
Steel			CL3Z 1506024 AC	\$104.27	.4
FX2, FX4, Tremor Model			CL3Z 1506024 AC	\$104.27	.4
Lariat Model					
Adobe			CL3Z 1506024 AB	\$104.65	.4
Black			CL3Z 1506024 AC	\$104.27	.4
Camel			9L3Z 1506024 AB	\$114.65	.4
Stone			9L3Z 1506024 AA	\$114.65	.4
Steel			CL3Z 1506024 AE	\$117.12	.4
King Ranch Model	09-10		9L3Z 1506024 AB	\$114.65	.4
	11-14		CL3Z 1506024 AB	\$104.65	.4
Platinum Model					
Black			CL3Z 1506024 AC	\$104.27	.4
Stone			9L3Z 1506024 AA	\$114.65	.4
Steel			CL3Z 1506024 AE	\$117.12	.4
Lariat Limited Model					

Adobe		CL3Z 1506024 AB	\$104.65	.4
Black		CL3Z 1506024 AC	\$104.27	.4
Harley-Davidson, Limited Model		CL3Z 1506024 AC	\$104.27	.4
17 Latch, Glove Box				
XL, STX Model	09-10	BL3Z 1506072 AF	\$22.25	.2
	11-14	BL3Z 1506072 AE	\$21.22	.2
XLT, XTR Model				
2009-10		BL3Z 1506072 AF	\$22.25	.2
2011-14				
Adobe		BL3Z 1506072 AF	\$22.25	.2
Steel		BL3Z 1506072 AE	\$21.22	.2
FX2, FX4, Tremor Model		BL3Z 1506072 AE	\$21.22	.2
Lariat Model				
Adobe		BL3Z 1506072 AD	\$21.22	.2
Black		BL3Z 1506072 AE	\$21.22	.2
Camel		9L3Z 1506072 AA	\$21.22	.2
Steel		BL3Z 1506072 AG	\$21.22	.2
King Ranch Model	09-10	9L3Z 1506072 AA	\$21.22	.2
	11-14	BL3Z 1506072 AD	\$21.22	.2
Platinum Model				
Black		BL3Z 1506072 AE	\$21.22	.2
Stone		8C3Z 1506072 AA	\$20.22	.2
Steel		BL3Z 1506072 AG	\$21.22	.2
Lariat Limited Model				
Adobe		BL3Z 1506072 AD	\$21.22	.2
Black		BL3Z 1506072 AE	\$21.22	.2
Harley-Davidson, Limited Model		BL3Z 1506072 AE	\$21.22	.2
18 Bumper, Rubber		YS4Z 6106066 AA	\$6.90	
Included w/Glove Box Assy				
19 Cyl, Glove Box Lock-Serviced w/Glove Box Latch				
20 Panel, Lower Inst				
XL, STX Model				
2009-10		9L3Z 1504459 AD	\$64.95	.5
2011-14				
Adobe		BL3Z 1504459 AD	\$82.98	.5
Steel				
Man Tilt				
Tilt		BL3Z 1504459 AC	\$56.65	.5
Tilt/Slide		BL3Z 1504459 BB	\$56.65	.5
Pwr Tilt		BL3Z 1504459 BB	\$56.65	.5
XLT Model				
w/Flow Thru Console				
2010		9L3Z 1504459 AC	\$64.95	.5
2011-14				
Man Tilt				
Tilt		BL3Z 1504459 AC	\$56.65	.5
Tilt/Slide		BL3Z 1504459 BB	\$56.65	.5
Pwr Tilt		BL3Z 1504459 BB	\$56.65	.5
w/o Flow Thru Console				
2009-10		9L3Z 1504459 AD	\$64.95	.5

2011-14					
Adobe			BL3Z 1504459 AD	\$82.98	.5
Steel					
Man Tilt (a)			BL3Z 1504459 AC	\$56.65	.5
Pwr Tilt			BL3Z 1504459 BB	\$56.65	.5
XTR Model					
2010			9L3Z 1504459 AD	\$64.95	.5
2011-14					
Adobe			BL3Z 1504459 AD	\$82.98	.5
Steel					
Man Tilt					
Tilt			BL3Z 1504459 AC	\$56.65	.5
Tilt/Slide			BL3Z 1504459 BB	\$56.65	.5
Pwr Tilt			BL3Z 1504459 BB	\$56.65	.5
FX2, FX4, Tremor Model			9L3Z 1504459 AC	\$64.95	.5
Lariat Model					
Adobe			BL3Z 1504459 BA	\$59.97	.5
Black	09-10		9L3Z 1504459 AC	\$64.95	.5
	11-14		BL3Z 1504459 BB	\$56.65	.5
Camel			9L3Z 1504459 AB	\$64.95	.5
Steel			BL3Z 1504459 BD	\$64.52	.5
King Ranch Model	09-10		9L3Z 1504459 AB	\$64.95	.5
	11-14		BL3Z 1504459 BA	\$59.97	.5
Platinum Model					
Black	09-10		9L3Z 1504459 AC	\$64.95	.5
	11-14		BL3Z 1504459 BB	\$56.65	.5
Stone			9L3Z 1504459 AA	\$64.95	.5
Steel			BL3Z 1504459 BD	\$64.52	.5
Lariat Limited Model					
Adobe			BL3Z 1504459 BA	\$59.97	.5
Black			BL3Z 1504459 BB	\$56.65	.5
Harley-Davidson Model	10		9L3Z 1504459 AC	\$64.95	.5
	11-12		BL3Z 1504459 BB	\$56.65	.5
Limited Model	13-14		BL3Z 1504459 BB	\$56.65	.5
(a) Order by Application					
21 Cover, Strg Column Opening			9L3Z 15017A26 A	\$26.43	.3
22 Compartment, Center					
w/Driver Information Display			9L3Z 15042C74 AA	\$62.87	.2
w/o Driver Information Display			9L3Z 15061B58 AA	\$52.60	.2
23 Mat, Center					
w/Driver Information Display			9L3Z 15045G34 DA	\$27.95	
w/o Driver Information Display			9L3Z 15045G34 CA	\$17.57	
24 Trim Assy, Right Inner Panel					
XL, STX Model	09-10	R	9L3Z 1504338 BC	\$151.08	.4
	11-14	R	BL3Z 1504338 GA	\$190.17	.4
XLT, XTR Model					
w/Flow Thru Console	10-13	R	9L3Z 1504338 CA	\$154.55	.4
w/o Flow Thru Console		R	9L3Z 1504338 AC	\$145.52	.4
FX2, FX4 Model					
2009		R	9L3Z 1504338 AC	\$145.52	.4
2010-11					

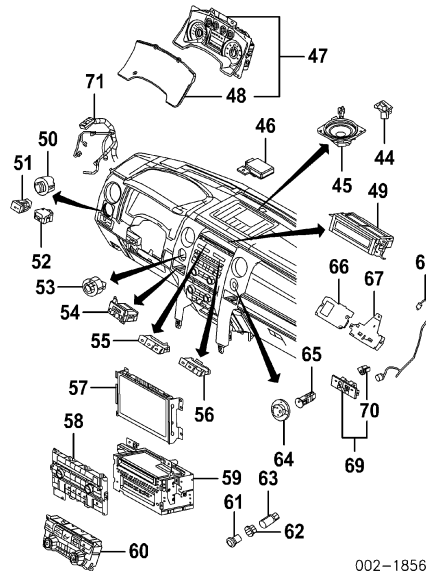
w/Flow Thru Console	R	9L3Z 1504338 CA	\$154.55	.4
w/o Flow Thru Console	R	9L3Z 1504338 AC	\$145.52	.4
2012-14				
w/FX Appearance Pkg	R	CL3Z 1504338 FA	\$317.68	.4
w/o FX Appearance Pkg (a)	R	9L3Z 1504338 AC	\$145.52	.4
Tremor Model (a)	R	9L3Z 1504338 CA	\$154.55	.4
Lariat Model				
w/Flow Thru Console	R	9L3Z 1504338 CA	\$154.55	.4
w/o Flow Thru Console	R	9L3Z 1504338 AC	\$145.52	.4
King Ranch Model	R	9L3Z 1504338 CA	\$154.55	.4
Platinum Model	09-10 R	9L3Z 1504338 DC	\$381.53	.4
	11-14 R	BL3Z 1504338 KA	\$380.18	.4
Lariat Limited Model	R	9L3Z 1504338 CA	\$154.55	.4
Harley-Davidson Model	10 R	AL3Z 1504338 DA	\$308.70	.4
	11-12 R	BL3Z 1504338 JA	\$263.67	.4
Limited Model	13-14 R	9L3Z 1504338 CA	\$154.55	.4
(a) Order by Application				
25 Cover, Socket (b)	R	9L3Z 19A487 AA	\$12.00	
26 Socket, Power (b)	R	BL3Z 19N236 A	\$10.70	
27 Mat, Bin (b)	R	9L3Z 15045G34 FA	\$23.70	
(b) Included w/Right Inner Panel Trim Assy				
28 Trim, Left Inner Panel				
XL, STX Model	L	9L3Z 1504338 BD	\$131.25	.4
	L	BL3Z 1504338 BC	\$158.35	.4
XLT, XTR Model				
w/Flow Thru Console	L	9L3Z 1504338 DB	\$93.78	.4
w/o Flow Thru Console	L	9L3Z 1504338 AH	\$155.83	.4
	L	BL3Z 1504338 AB	\$124.30	.4
FX2 Model				
2010-11	L	9L3Z 1504338 DB	\$93.78	.4
2012-14				
w/FX Appearance Pkg	L	CL3Z 1504338 GA	\$357.67	.4
w/o FX Appearance Pkg	L	9L3Z 1504338 DB	\$93.78	.4
FX4 Model				
2009-11	L	9L3Z 1504338 DB	\$93.78	.4
2012-14				
w/FX Appearance Pkg	L	CL3Z 1504338 GA	\$357.67	.4
w/o FX Appearance Pkg	L	BL3Z 1504338 AD	\$79.55	.4
Tremor Model (a)	L	9L3Z 1504338 DB	\$93.78	.4
Lariat Model				
2009-10				
w/Flow Thru Console	L	9L3Z 1504338 DB	\$93.78	.4
w/o Flow Thru Console	L	9L3Z 1504338 CB	\$130.15	.4
2011-14				
w/Flow Thru Console	L	9L3Z 1504338 DB	\$93.78	.4
w/o Flow Thru Console	L	BL3Z 1504338 CA	\$124.70	.4
King Ranch Model	L	9L3Z 1504338 DB	\$93.78	.4
Platinum Model	L	9L3Z 1504338 EA	\$402.92	.4
Lariat Limited Model	L	9L3Z 1504338 DB	\$93.78	.4
Harley-Davidson Model	L	AL3Z 1504338 EA	\$285.80	.4
	L	BL3Z 1504338 FA	\$287.07	.4

Limited Model	L	9L3Z 1504338 DB	\$93.78	.2	
(a) Order by Application					
29 Grille, Inner Vent					
XL, STX Model	R	9L3Z 19893 AA	\$29.17	.2	
	L	9L3Z 19893 AA	\$29.17	.2	
XLT, XTR, Lariat Model	R	9L3Z 19893 CA	\$46.53	.2	
	L	9L3Z 19893 CA	\$46.53	.2	
FX2, FX4 Model					
2009-11	R	9L3Z 19893 CA	\$46.53	.2	
	L	9L3Z 19893 CA	\$46.53	.2	
2012-14					
w/FX Appearance Pkg	R	CL3Z 19893 EA	\$23.03	.2	
	L	CL3Z 19893 EA	\$23.03	.2	
w/o FX Appearance Pkg	R	9L3Z 19893 CA	\$46.53	.2	
	L	9L3Z 19893 CA	\$46.53	.2	
Tremor Model	R	CL3Z 19893 EA	\$23.03	.2	
	L	CL3Z 19893 EA	\$23.03	.2	
King Ranch, Platinum Model	R	9L3Z 19893 CA	\$46.53	.2	
	L	9L3Z 19893 CA	\$46.53	.2	
Lariat Limited, Limited Model	R	9L3Z 19893 CA	\$46.53	.2	
	L	9L3Z 19893 CA	\$46.53	.2	
Harley-Davidson Model	10	R	AL3Z 19893 BA	\$41.25	.2
		L	AL3Z 19893 BA	\$41.25	.2
	11-12	R	BL3Z 19893 BA	\$55.33	.2
		L	BL3Z 19893 BA	\$55.33	.2
30 Holder, Coin		9L3Z 15519C36 AA	\$24.33		
31 Box, Storage		9L3Z 1513594 AB	\$36.05		
32 Mat, Box		9L3Z 15045G34 EA	\$27.47		
33 Bezel, Center Inst Panel					
XL, STX Model					
2009-12					
w/In-Dash Computer		9L3Z 1504302 NA	\$197.55	.5	
w/o In-Dash Computer					
w/CD Player		9L3Z 1504302 BB	\$110.70	.5	
w/o CD Player		9L3Z 1504302 AB	\$99.15	.5	
2013-14 (a)		9L3Z 1504302 BB	\$110.70	.5	
XLT, XTR Model (a)					
2009-12					
w/In-Dash Computer		9L3Z 1504302 NA	\$197.55	.5	
w/o In-Dash Computer		9L3Z 1504302 BB	\$110.70	.5	
2013-14		9L3Z 1504302 BB	\$110.70	.5	
FX2, FX4 Model (a)					
2009-10					
w/Navigation System		AL3Z 1504302 GA	\$815.28	.5	
w/o Navigation System		AL3Z 1504302 CA	\$814.87	.5	
2011-12					
w/Navigation System		BL3Z 1504302 GA	\$288.13	.5	
w/o Navigation System		BL3Z 1504302 CA	\$280.35	.5	
2013-14-Serviced w/Inst Control Panel					
Tremor Model-Serviced w/Inst Control Panel					
Lariat Model (a)					

2009-10				
w/Navigation System		AL3Z 1504302 HA	\$814.87	.5
w/o Navigation System		AL3Z 1504302 DA	\$618.40	.5
2011-12				
w/Navigation System		BL3Z 1504302 HB	\$207.63	.5
w/o Navigation System		BL3Z 1504302 DA	\$230.15	.5
2013-14-Serviced w/Inst Control Panel				
King Ranch Model (a)				
2009-12				
w/Navigation System		AL3Z 1504302 JA	\$618.50	.5
w/o Navigation System		AL3Z 1504302 EA	\$592.65	.5
2013-14-Serviced w/Inst Control Panel				
Platinum Model				
2009-10				
w/Navigation System		AL3Z 1504302 KA	\$814.87	.5
w/o Navigation System		AL3Z 1504302 FA	\$814.87	.5
2011-12				
w/Navigation System		BL3Z 1504302 KA	\$209.55	.5
w/o Navigation System		BL3Z 1504302 FA	\$231.07	.5
2013-14-Serviced w/Inst Control Panel				
Lariat Limited Model				
w/Navigation System		BL3Z 1504302 TA	\$207.67	.5
w/o Navigation System		BL3Z 1504302 SA	\$208.32	.5
Harley-Davidson Model				
w/Navigation System	10	AL3Z 1504302 BA	\$270.55	.5
	11-12	BL3Z 1504302 MA	\$283.63	.5
w/o Navigation System	10	AL3Z 1504302 AA	\$314.58	.5
	11-12	BL3Z 1504302 LA	\$330.00	.5
Limited Model-Serviced w/Inst Control Panel				
(a) Order by Application				
34 Bezel, Switch				
w/Sync System		CL3Z 19C149 AA	\$52.08	
w/o Sync System		9L3Z 19C149 AB	\$36.72	
35 Cover, Switch				
w/o Sync System		9L3Z 15044D82 AA	\$28.63	
36 Trim, Bezel				
w/Flow Thru Console				
XLT Model				
2010-12		BL3Z 15046B32 AA	\$128.57	.2
2013-14 (a)		DL3Z 15046B32 CB	\$114.38	.2
FX2 Model				
2010-11		BL3Z 15046B32 AA	\$128.57	.2
2012				
w/FX Appearance Pkg		CL3Z 15046B32 GA	\$107.27	.2
w/o FX Appearance Pkg		BL3Z 15046B32 AA	\$128.57	.2
2013-14 (a)		DL3Z 15046B32 CB	\$114.38	.2
FX4 Model				
2009-10		AL3Z 15046B32 AD	\$77.60	.2
2011		BL3Z 15046B32 AA	\$128.57	.2
2012				
w/FX Appearance Pkg		CL3Z 15046B32 GA	\$107.27	.2

w/o FX Appearance Pkg		BL3Z 15046B32 AA	\$128.57	.2
2013-14 (a)		DL3Z 15046B32 GA	\$118.25	.2
Tremor Model (a)		DL3Z 15046B32 GA	\$118.25	.2
Lariat Model				
2009-10		9L3Z 15046B32 BA	\$83.20	.2
2011		BL3Z 15046B32 BA	\$128.87	.2
2012		CL3Z 15046B32 BA	\$89.83	.2
2013-14 (a)		DL3Z 15046B32 BA	\$115.35	.2
King Ranch Model	09-10	9L3Z 15046B32 CA	\$80.35	.2
	11-12	BL3Z 15046B32 CA	\$130.15	.2
	13-14	DL3Z 15046B32 CA	\$201.62	.2
Platinum Model	09-10	9L3Z 15046B32 DA	\$83.33	.2
	11-12	BL3Z 15046B32 DA	\$134.10	.2
	13-14	DL3Z 15046B32 DA	\$112.68	.2
Lariat Limited Model		BL3Z 15046B32 BB	\$128.87	.2
Harley-Davidson Model	10	AL3Z 15046B32 AA	\$107.32	.2
	11-12	BL3Z 15046B32 EA	\$194.52	.2
Limited Model		DL3Z 15046B32 FA	\$136.12	.2
(a) Order by Application				
37 Compartment Assy, Storage				
w/o Flow Thru Console		9L3Z 1513594 AA	\$62.10	.2
38 Mat, Compartment (c)				
w/o Flow Thru Console		9L3Z 15045G34 JA	\$37.62	
(c) Included w/Storage Compartment Assy				
39 Ashtray (a)				
w/o Flow Thru Console				
XL, STX, Model		9L3Z 1504810 AA	\$125.50	
XLT, XTR Model		9L3Z 1504810 AA	\$125.50	
FX2 Model		9L3Z 1504810 BA	\$161.70	
FX4 Model		AL3Z 1504810 FA	\$234.88	
Lariat Model		9L3Z 1504810 CA	\$161.70	
(a) Order by Application				
40 Insert, Ashtray				
w/o Flow Thru Console		9L3Z 1504788 AA	\$42.32	
Panel, Finish				
41 w/Flow Thru Console				
w/Ambient Lighting				
Adobe	R	BL3Z 1504608 DB	\$92.05	.3
	L	BL3Z 1504609 BB	\$92.50	.3
Black	R	AL3Z 1504608 AC	\$132.92	.3
	L	AL3Z 1504609 AC	\$135.30	.3
Stone	R	AL3Z 1504608 AA	\$132.82	.3
	L	AL3Z 1504609 AA	\$135.30	.3
Steel	R	BL3Z 1504608 DA	\$87.25	.3
	L	BL3Z 1504609 BA	\$92.50	.3
w/o Ambient Lighting				
Adobe	R	BL3Z 1504608 AA	\$21.82	.3
	L	BL3Z 1504609 AA	\$25.97	.3
Black	R	9L3Z 1504608 AC	\$40.62	.3
	L	9L3Z 1504609 AC	\$40.15	.3
Camel	R	9L3Z 1504608 AB	\$39.28	.3

	Stone	L	9L3Z 1504609 AB	\$40.48	.3
		R	9L3Z 1504608 AA	\$40.65	.3
		L	9L3Z 1504609 AA	\$43.37	.3
	Steel	R	BL3Z 1504608 AB	\$25.87	.3
		L	BL3Z 1504609 AB	\$53.52	.3
42	w/o Flow Thru Console				
	Regular Cab		9L3Z 1504608 BA	\$51.37	.3
	Extended Cab				
	w/Console				
	Consolette		9L3Z 1504608 BA	\$51.37	.3
	Full Console		9L3Z 1504608 CA	\$47.93	.3
	w/o Console		9L3Z 1504608 CA	\$47.93	.3
	Crew Cab		9L3Z 1504608 CA	\$47.93	.3
43	Bracket, Inst Panel				
	w/Flow Thru Console	R	9L3Z 15045F38 A	\$10.15	
		L	9L3Z 15045B00 A	\$10.42	



002-18564

44	Sensor, Sun				
	Man A/C		7L1Z 13A018 A	\$25.29	.3
	Auto A/C		DG9Z 13A018 A	\$38.47	.3
45	Speaker, Inst Panel				
	w/Sony Sound System		CL3Z 18808 F	\$41.60	.4
46	Module, GPS Receiver				
	w/Sync System				
	w/o Navigation System		BL3Z 10E893 B	\$75.52	.5
47	Cluster Assy, Instrument (a)	09	9L3Z 10849 A	\$482.72	1.0
		10	AL3Z 10849 GA	\$491.86	1.0
		11	BL3Z 10849 JA	\$647.58	1.0
		12	CL3Z 10849 AB	\$396.92	1.0
		13	DL3Z 10849 GA	\$351.55	1.0
		14	EL3Z 10849 AA	\$333.40	1.0

(a) Order by Application

48 Lens, Inst Cluster (d)

XL, STX Model	09-10	9L3Z 10890 A	\$60.93	
	11-14	BL3Z 10890 G	\$36.57	
XLT, XTR Model	09-10	9L3Z 10890 E	\$96.08	
	11-14	BL3Z 10890 H	\$44.25	
FX2, FX4, Tremor Model	09-10	9L3Z 10890 B	\$94.82	
	11-14	BL3Z 10890 H	\$44.25	
Lariat, King Ranch Model	09-10	9L3Z 10890 C	\$110.60	
	11-12	BL3Z 10890 J	\$52.92	
	13-14	DL3Z 10890 A	\$79.03	
Platinum Model	09-10	9L3Z 10890 D	\$164.67	
	11-14	BL3Z 10890 K	\$56.40	
Lariat Limited Model		BL3Z 10890 K	\$56.40	
Harley-Davidson Model	10	AL3Z 10890 B	\$99.53	
	11	BL3Z 10890 L	\$63.90	
	12	CL3Z 10890 A	\$78.63	
Limited Model		DL3Z 10890 A	\$79.03	
<i>(d) Included w/Instrument Cluster Assy</i>				
49 Display, Information (a)	09	9L3Z 10D885 A	\$0.01	.4
	10	AL3Z 10D885 A	\$998.62	.4
	11	BL3Z 10D885 A		.4
	12	BL3Z 10D885 B	\$1,875.00	.4
	13	DL3Z 10D885 FA		.4
	14	EL3Z 10D885 CA		.4
<i>(a) Order by Application</i>				
50 Switch, Lighting				
w/Auto Lamps				
w/Fog Lamps		9L3Z 11654 CA	\$92.05	.3
w/o Fog Lamps		9L3Z 11654 DA	\$36.31	.3
w/o Auto Lamps				
w/Fog Lamps		9L3Z 11654 BA	\$38.69	.3
w/o Fog Lamps		9L3Z 11654 AA	\$34.49	.3
51 Switch, Pedal Adjust	09-10	9L3Z 9G604 AAA	\$40.55	.2
52 Rheostat, Lighting	09-10	9L3Z 11691 AA	\$35.58	.2
	11-14	BL3Z 11691 AA	\$27.15	.2
53 Switch, Transfer Case				
4WD				
2009				
w/LSD		AL3Z 14B166 CA	\$38.27	.2
w/o LSD		9L3Z 14B166 AA	\$48.82	.2
2010-11 (a)		AL3Z 14B166 CA	\$38.27	.2
2012-14 (a)		CL3Z 14B166 DA	\$19.91	.2
<i>(a) Order by Application</i>				
54 Module, Trailer Brake				
2009		9L3Z 2C006 A	\$290.47	.3
2010		AL3Z 2C006 AB	\$417.47	.3
2011		BL3Z 2C006 BA		.3
2012				
To 11-8-11		BL3Z 2C006 BA		.3
From 11-8-11		BL3Z 2C006 BC	\$211.98	.3
2013-14		BL3Z 2C006 BC	\$211.98	.3
55 Switch, Message Center	09-10	9L3Z 10D889 AA	\$41.57	.2

56 Switch, Traction Control (a)		BL3Z 2C418 AA	\$34.02	.2
(a) Order by Application				
57 Display, Navigation-See Electrical Section				
58 Panel, Inst Control (a)		BL3Z 18842 H		.6
59 Radio (a)				
w/Navigation System		BL3Z 18K931 BA		.7
w/o Navigation System		BL3Z 18C869 AB		.7
60 Control, A/C /Heater (a)				
w/Navigation System				
Heated/Cooled Driver Seat	09	9L3Z 19980 X	\$236.27	.6
	10	AL3Z 19980 Z	\$210.00	.6
	11-14	BL3Z 19980 U	\$180.73	.6
Heated Driver Seat	09	9L3Z 19980 Y	\$211.62	.6
	10	AL3Z 19980 AC	\$213.42	.6
	11-14	BL3Z 19980 Z	\$184.68	.6
w/o Navigation System				
Man A/C				
Heated Back Window				
2009				
To 6-22-09		9L3Z 19980 JA	\$268.30	.6
From 6-22-09		9L3Z 19980 JA	\$268.30	.6
2010		AL3Z 19980 M	\$340.58	.6
2011-14		DL3Z 19980 F	\$146.43	.6
Non-Heated Back Window				
w/Heated Mirrors				
2009		9L3Z 19980 HA	\$330.20	.6
2010		AL3Z 19980 L	\$338.83	.6
2011-14		DL3Z 19980 E	\$145.82	.6
w/o Heated Mirrors				
2009		9L3Z 19980 T	\$296.88	.6
2010		AL3Z 19980 K	\$280.38	.6
2011-14		DL3Z 19980 D	\$143.42	.6
Auto A/C				
2009				
Heated/Cooled Driver Seat				
Heated Back Window		9L3Z 19980 XA	\$417.45	.6
Non-Heated Back Window		9L3Z 19980 VA	\$492.57	.6
Heated Driver Seat				
Heated Back Window		9L3Z 19980 YA	\$397.90	.6
Non-Heated Back Window		9L3Z 19980 ZA	\$397.90	.6
2010				
Heated/Cooled Driver Seat				
Heated Back Window		AL3Z 19980 P	\$305.12	.6
Non-Heated Back Window		AL3Z 19980 N	\$396.65	.6
Heated Driver Seat				
Heated Back Window		AL3Z 19980 R	\$473.92	.6
Non-Heated Back Window		AL3Z 19980 S	\$383.63	.6
2011-14				
Heated/Cooled Driver Seat				
Heated Back Window		BL3Z 19980 X	\$344.85	.6
Non-Heated Back Window		BL3Z 19980 W	\$329.47	.6

Heated Driver Seat				
Heated Back Window		BL3Z 19980 V	\$185.93	.6
Non-Heated Back Window		BL3Z 19980 Y	\$310.90	.6
<i>(a) Order by Application</i>				
61 Element, Lighter		XF2Z 15052 AA	\$14.00	
62 Ring, Lighter		F81Z 15K040 AA	\$11.66	
63 Socket, Lighter		XC3Z 15055 AA	\$11.59	
64 Cover, Socket		9L3Z 19A487 AA	\$12.00	
65 Socket, Power		BL3Z 19N236 A	\$10.70	
66 Module, Interface				
2009				
To 12-1-08		9L3Z 14D212 BF	\$336.95	.4
From 12-1-08		9L3Z 14D212 CD	\$561.58	.4
2010		AL3Z 14D212 C	\$561.58	.4
2011		BA5Z 14D212 AA	\$505.42	.4
2012		CE5Z 14D212 AA	\$336.95	.4
2013-14 (a)		DA5Z 14D212 KA	\$650.67	.4
<i>(a) Order by Application</i>				
67 Bracket, Module		9L3Z 14A301 A	\$31.03	
68 Cable, USB		9L3Z 14D202 A	\$41.02	
69 Control Assy, Auxiliary				
w/Sync System		CL3Z 19C149 AA	\$52.08	.4
w/o Sync System		9L3Z 19C149 AB	\$36.72	.4
70 Jack, Auxiliary (e)		8L8Z 19A164 A	\$85.04	
<i>(e) Included w/Auxiliary Control Assy</i>				
71 Harness, Instrument Panel (a)				
Man A/C				
w/Sync System	09	9L3Z 14401 EB	\$417.40	#
	10	AL3Z 14401 EA	\$415.83	#
	11	BL3Z 14401 C	\$340.23	#
	12-14	CL3Z 14401 BD	\$268.00	#
w/o Sync System	09	9L3Z 14401 AB	\$335.07	#
	10	AL3Z 14401 DA	\$364.67	#
	11	BL3Z 14401 B	\$329.52	#
	12-14	CL3Z 14401 BB	\$219.42	#
Auto A/C				
w/Navigation System	09	9L3Z 14401 TB	\$481.05	#
	10	AL3Z 14401 LA	\$478.25	#
	11	BL3Z 14401 L	\$401.83	#
	12-14	CL3Z 14401 KN	\$283.67	#
w/o Navigation System	09	9L3Z 14401 RB	\$444.53	#
	10	AL3Z 14401 KA	\$448.05	#
	11	BL3Z 14401 K	\$393.18	#
	12-14	CL3Z 14401 KH	\$260.23	#

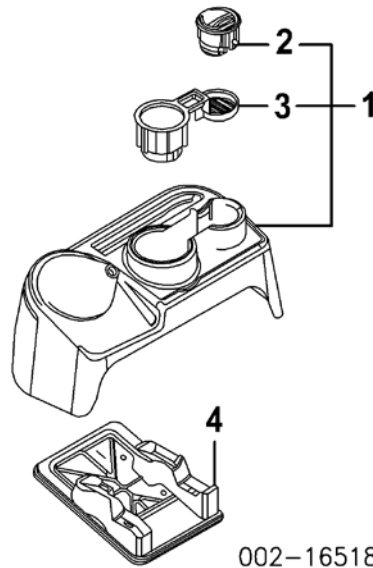
(a) Order by Application

#Not Included in R&R Instrument Panel

CENTER CONSOLE

Use Procedure Explanation 14 with the following text.

CONSOLETTTE



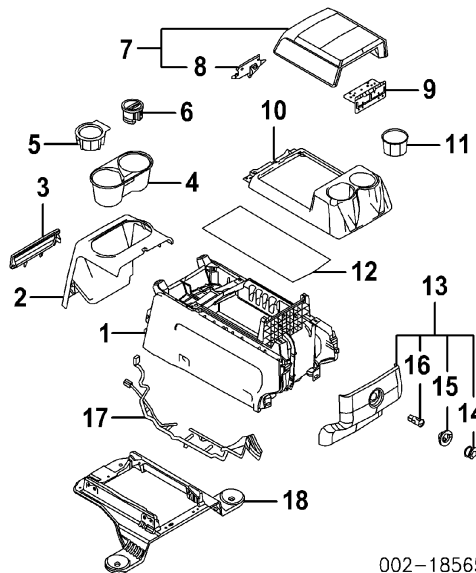
002-16518

R&I Consolelette

- 1 Consolelette Assy
- 2 Ashtray
- 3 Insert, Cup Holder
Included w/Consolelette Assy
- 4 Base, Consolelette
#w/Consolelette Removed

9L3Z 15045A36 AD	\$247.20	.3
YL8Z 7804810 AAA	\$35.80	.5
9L3Z 15045G34 KA	\$39.15	
9L3Z 7479 A	\$55.53	#.7

FULL CONSOLE



002-18565

R&I Center Console

NOTE: All Parts in this section are included in R&R Center Console unless noted otherwise.

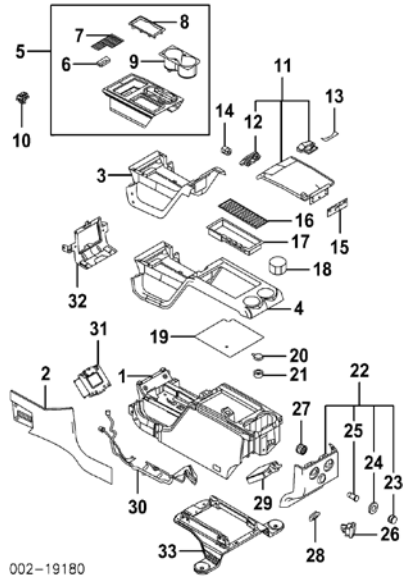
- 1 Console, Center
2009-10

.5

Camel		9L3Z 15045A36 DB	\$436.58	.8
Stone		9L3Z 15045A36 DA	\$436.58	.8
2011-14				
Adobe		BL3Z 15045A36 KA	\$760.32	.8
Steel		BL3Z 15045A36 KB	\$760.65	.8
2 Panel, Front Console				
2009-10		9L3Z 15045A76 BA	\$111.90	.3
2011-14				
Adobe		9L3Z 15045A76 BA	\$111.90	.3
Steel		BL3Z 15045A76 BA	\$209.12	.3
3 Insert, Panel		9L3Z 1513530 AA	\$25.52	
4 Holder, Front Cup		4L3Z 1513562 AAA	\$58.47	
5 Insert, Cup Holder (2)		2L1Z 7813562 AAA	\$19.27	
6 Ashtray		YL8Z 7804810 AAA	\$35.80	
7 Lid Assy, Console				
2009-10				
Camel		9L3Z 1506024 AF	\$157.53	
Stone		9L3Z 1506024 AE	\$157.23	
2011-14				
Adobe		BL3Z 1506024 AB	\$117.67	
Steel		BL3Z 1506024 AC	\$150.68	
8 Latch, Console Lid (b)				
2009-10				
Camel		9L3Z 1506072 AH	\$93.95	
Stone		9L3Z 1506072 AG	\$93.95	
2011-14				
Adobe		BL3Z 1506072 AC	\$28.52	
Steel		BL3Z 1506072 AB	\$28.52	
(b) Included w/Console Lid Assy				
9 Hinge, Lid		9L3Z 1506050 AA	\$40.52	
10 Panel, Upper Console				
2009-10		9L3Z 1504567 DA	\$72.50	.3
2011-14				
Adobe		9L3Z 1504567 DA	\$72.50	.3
Steel		BL3Z 1504567 DA	\$548.35	.3
11 Holder, Rear Cup (2)		2L7Z 7813562 AAA	\$14.62	
12 Mat, Console		9L3Z 15045G34 BB	\$14.70	
13 Panel Assy, Rear Console				
2009-10		9L3Z 18045E24 AA	\$75.72	
2011-14				
Adobe		9L3Z 18045E24 AA	\$75.72	
Steel		BL3Z 18045E24 AA	\$82.62	
14 Cover, Socket		9L3Z 19A487 BA	\$7.29	
15 Ring, Socket		9L3Z 15K040 AA	\$10.14	
16 Socket, Power		BL3Z 19N236 A	\$10.70	
Included w/Rear Console Panel Assy				
17 Harness, Console	09-10	9L3Z 14A318 BA	\$13.57	
	11-14	BL3Z 14A318 B	\$5.43	
18 Bracket, Console	09-10	9L3Z 15045B34 A	\$145.83	#.2
	11-14	BL3Z 15625A80 B	\$187.30	#.2

#w/Center Console Removed

FLOW THRU CONSOLE



R&I Console

NOTE: All Parts in this section are included in R&R Center Console unless noted otherwise.

.6

1 Console, Center

2009-10

Black
Camel

9L3Z 15045A36 AG
9L3Z 15045A36 AF

\$244.53
\$244.48

1.0
1.0

Stone

9L3Z 15045A36 AE

\$243.85

1.0

2011-12

Adobe
Black
Steel

BL3Z 15045A36 AA
9L3Z 15045A36 AG
BL3Z 15045A36 AB

\$835.13
\$244.53
\$837.35

1.0
1.0
1.0

2013-14 (a)

DL3Z 15045A36 AB

\$306.77

1.0

(a) Black listed, Order by Application

2 Panel, Finish-See Instrument Panel Section

Finisher, Console

3 Type 1

Platinum Model

2009

To 12-1-08

9L3Z 1504567 BA

\$491.98

.4

From 12-1-08

BL3Z 1504567 BA

\$421.75

.4

2010-14

BL3Z 1504567 BA

\$421.75

.4

Limited Model

CL3Z 1504567 BA

\$421.48

.4

4 Type 2

2009

FX4, Lariat, King Ranch Model

9L3Z 1504567 AB

\$238.03

.4

Platinum Model

9L3Z 1504567 BB

\$313.10

.4

2010

FX2, FX4 Model

9L3Z 1504567 AB

\$238.03

.4

Lariat, King Ranch Model

9L3Z 1504567 AB

\$238.03

.4

Platinum Model

9L3Z 1504567 BB

\$313.10

.4

Harley-Davidson Model	AL3Z 1504567 AA	\$460.68	.4
2011-12			
FX2, FX4 Model	9L3Z 1504567 AB	\$238.03	.4
Lariat, King Ranch Model	9L3Z 1504567 AB	\$238.03	.4
Platinum Model	9L3Z 1504567 BB	\$313.10	.4
Lariat Limited Model	9L3Z 1504567 AB	\$238.03	.4
Harley-Davidson Model	BL3Z 1504567 AA	\$576.48	.4
2013-14			
FX2, FX4 Model			
w/Appearance Pkg	CL3Z 1504567 AA	\$576.48	.4
w/o Appearance Pkg	9L3Z 1504567 AB	\$238.03	.4
Lariat, King Ranch Model	9L3Z 1504567 AB	\$238.03	.4
Platinum Model	9L3Z 1504567 BB	\$313.10	.4
Limited Model	CL3Z 1504567 BB	\$320.07	.4
5 Panel Assy, Front Console			
FX2, FX4 Model			
2009-10	AL3Z 15045A76 LA	\$394.52	.4
2011	BL3Z 15045A76 LA	\$321.55	.4
2012			
w/FX Appearance Pkg	CL3Z 15045A76 BA	\$326.85	.4
w/o FX Appearance Pkg	BL3Z 15045A76 LA	\$321.55	.4
2013-14			
w/FX Appearance Pkg	CL3Z 15045A76 BA	\$326.85	.4
w/o FX Appearance Pkg	DL3Z 15045A76 LA	\$319.17	.4
Tremor Model	CL3Z 15045A76 BA	\$326.85	.4
Lariat Model			
2009-10			
Black	AL3Z 15045A76 HA	\$337.57	.4
Camel	AL3Z 15045A76 HB	\$299.33	.4
2011			
Adobe	BL3Z 15045A76 HB	\$317.17	.4
Black	BL3Z 15045A76 HA	\$290.90	.4
2012			
w/Chrome Pkg			
Adobe	CL3Z 15045A76 RB	\$241.60	.4
Black	CL3Z 15045A76 RA	\$239.57	.4
w/o Chrome Pkg			
Adobe	BL3Z 15045A76 HB	\$317.17	.4
Black	BL3Z 15045A76 HA	\$290.90	.4
2013-14 (a)	DL3Z 15045A76 RB	\$285.70	.4
King Ranch Model			
2009-10	AL3Z 15045A76 JA	\$309.27	.4
2011-12	BL3Z 15045A76 JA	\$322.75	.4
2013-14 (a)	DL3Z 15045A76 JA	\$432.02	.4
Platinum Model			
2009			
Black	9L3Z 15045A76 AA	\$254.35	.4
Stone	9L3Z 15045A76 AF	\$254.35	.4
2010			
Black	AL3Z 15045A76 KB	\$478.88	.4

Stone		AL3Z 15045A76 KA	\$453.92	.4
2011-12				
Black		BL3Z 15045A76 GB	\$456.85	.4
Steel		BL3Z 15045A76 GA	\$350.97	.4
2013-14		DL3Z 15045A76 GB	\$398.90	.4
Lariat Limited Model		BL3Z 15045A76 GC	\$502.53	.4
Harley-Davidson Model	10	AL3Z 15045A76 BA	\$508.55	.4
	11-12	BL3Z 15045A76 FA	\$509.20	.4
Limited Model		DL3Z 15045A76 GB	\$398.90	.4
<i>(a) Order by Application</i>				
6 Mat, Console Pocket				
2009		9L3Z 15045G34 GA	\$24.38	
2010-14				
w/Ambient Lighting		AL3Z 15045G34 BA	\$21.23	
w/o Ambient Lighting		9L3Z 15045G34 GA	\$24.38	
7 Mat, Frt Compartment				
2009		9L3Z 15045G34 HA	\$26.48	
2010-14				
w/Ambient Lighting		AL3Z 15045G34 AA	\$19.95	
w/o Ambient Lighting		9L3Z 15045G34 HA	\$26.48	
8 Bezel, Trim				
2009-10		9L3Z 7E391 AA	\$24.13	
2011				
FX2, FX4, Lariat Model		9L3Z 7E391 AA	\$24.13	
Platinum, King Ranch Model		9L3Z 7E391 AA	\$24.13	
Lariat Limited Model		9L3Z 7E391 AA	\$24.13	
Harley-Davidson Model		BL3Z 7E391 BA	\$16.57	
2012				
FX2, FX4, Lariat Model		9L3Z 7E391 AA	\$24.13	
Platinum, King Ranch Model		9L3Z 7E391 AA	\$24.13	
Harley-Davidson Model		BL3Z 7E391 BA	\$16.57	
2013-14				
Chrome		9L3Z 7E391 AA	\$24.13	
Aluminum		BL3Z 7E391 BA	\$16.57	
9 Insert, Cup Holder (2)		9L3Z 1513562 CB	\$42.28	
<i>Included w/Front Console Panel Assy</i>				
10 Switch, Ambient Lighting	10-14	AG1Z 13D806 AA	\$20.58	.2
11 Lid Assy, Console				
FX2, Tremor Model		9L3Z 1506024 BA	\$218.13	.2
FX4 Model				
2009-11		9L3Z 1506024 BA	\$218.13	.2
2011-12				
w/FX Appearance Pkg		CL3Z 1506024 AA	\$760.83	.2
w/o FX Appearance Pkg		9L3Z 1506024 BA	\$218.13	.2
Lariat Model				
2009				
To 12-1-08				
Black		9L3Z 1506024 CA	\$267.50	.2
Camel		9L3Z 1506024 CB	\$231.77	.2
From 12-1-08				
Black		9L3Z 1506024 CC	\$236.58	.2

15 Hinge, Lid			9L3Z 15044N19 A	\$11.33	
16 Mat, Box			9L3Z 15045G34 CB	\$16.93	
17 Box, Storage			9L3Z 19A090 AA	\$29.17	
18 Holder, Rear Cup		R	9L3Z 1513562 A	\$17.97	
		L	9L3Z 1513562 B	\$17.97	
19 Mat, Console	09-12		9L3Z 15045G34 AB	\$13.68	
	13-14		DL3Z 15045G34 AA	\$24.22	
20 Cover, Socket	09-11		7L7Z 19A487 BA	\$10.43	
	12-14		CL1Z 19A487 AA	\$8.43	
21 Ring, Socket			BL2Z 15K040 AA	\$9.86	
Socket, Power			BL3Z 19N236 A	\$10.70	
22 Panel Assy, Rear Console					
2009			AL3Z 15045E24 EA	\$158.62	.4
2010					
FX2, FX4 Model			AL3Z 15045E24 EA	\$158.62	.4
Lariat, King Ranch Model			AL3Z 15045E24 EA	\$158.62	.4
Platinum Model					
To 2-1-10			AL3Z 15045E24 AA	\$286.10	.4
From 2-1-10			AL3Z 15045E24 CA	\$430.07	.4
Harley-Davidson Model					
To 2-1-10			AL3Z 15045E24 BA	\$479.58	.4
From 2-1-10			AL3Z 15045E24 DA	\$571.08	.4
2011					
FX2, FX4, Lariat Model			BL3Z 15045E24 AA	\$289.63	.4
King Ranch Model			BL3Z 15045E24 AA	\$289.63	.4
Platinum, Lariat Limited Model			BL3Z 15045E24 BB	\$581.58	.4
Harley-Davidson Model			BL3Z 15045E24 BA	\$609.22	.4
2012					
FX2, FX4 Model			DL3Z 15045E24 AB	\$222.17	.4
Lariat, King Ranch Model			BL3Z 15045E24 AA	\$289.63	.4
Platinum Model			BL3Z 15045E24 BB	\$581.58	.4
Harley-Davidson Model			BL3Z 15045E24 BA	\$609.22	.4
2013-14					
FX2, FX4, Tremor Model			DL3Z 15045E24 AB	\$222.17	.4
Lariat Model			BL3Z 15045E24 AA	\$289.63	.4
King Ranch, Platinum Model			DL3Z 15045E24 BB	\$567.05	.4
Limited Model			DL3Z 15045E24 BA	\$569.20	.4
23 Cover, Socket (b)	09-10		9L3Z 19A487 BA	\$7.29	
	11-14		BB5Z 19A487 BA	\$10.14	
24 Ring, Socket (b)			9L3Z 15K040 AA	\$10.14	
25 Socket, Power (b)	09-10		BL3Z 19N236 A	\$10.70	
	11-14		6R3Z 19N236 A	\$31.80	
(b) Included w/Rear Console Panel Assy					
26 Outlet, Power	11-14		BC3Z 19N236 A	\$9.97	
27 Grille, Vent		R	9L3Z 19893 AC	\$46.18	
		L	9L3Z 19893 AC	\$46.18	
28 Bezel, Lamp					
w/Ambient Lighting	10-14	R	AR3Z 13E701 A	\$30.43	
		L	AR3Z 13E701 A	\$30.43	
29 Module, Lighting					
w/Ambient Lighting	10-14		AL3Z 13C788 A	\$205.33	.4

30	Harness, Console						
	Front						
	w/Ambient Lighting	10-14	R	AL3Z 14A411 B	\$84.73		
			L	AL3Z 14A318 B	\$171.77		
	Upper						
	w/Ambient Lighting	10-14		AL3Z 14A318 C	\$189.20		
	Main (a)						
	2009			9L3Z 14A318 AA	\$33.30		
	2010-13						
	w/Ambient Lighting			AL3Z 14A318 A	\$59.75		
	w/o Ambient Lighting			AL3Z 14A318 BA	\$35.22		
	Rear						
	w/Ambient Lighting	10-11		AL3Z 14E076 A	\$164.38		
	(a) Order by Application						
31	Inverter, Power	11-14		BL3Z 19G317 A	\$152.74		
32	Bracket, Front Console	09		9L3Z 15045B32 A	\$45.95		#.2
		10-14		AL3Z 15045B32 A	\$34.37		#.2
33	Bracket, Rear Console	09-10		9L3Z 15045B34 A	\$145.83		#.2
		11-14		BL3Z 15625A80 B	\$187.30		#.2

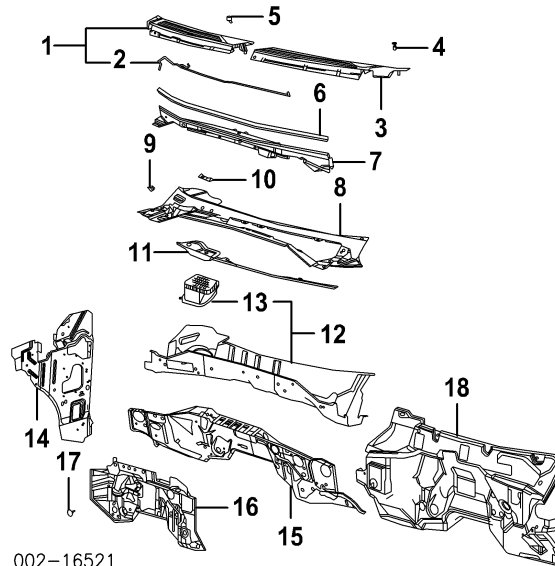
#w/Center Console Removed

CAB

Use Procedure Explanations 8, 14, 15,
17, 18 and 28 with the following text.

SHEET METAL

SHEET METAL REGULAR CAB

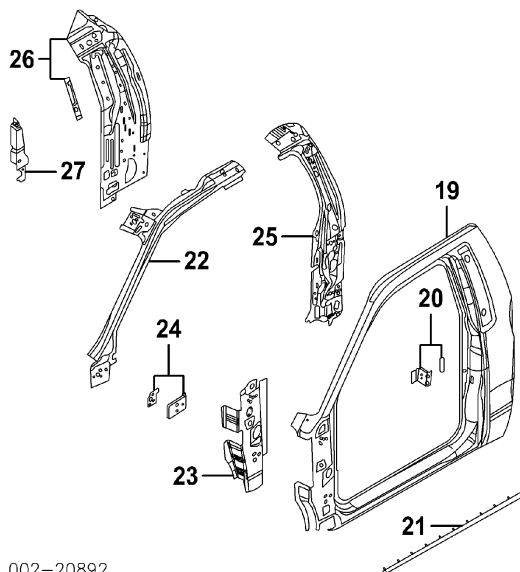


002-16521

Refinish Complete Cab Outside		16.8
Add to Refinish Inside		6.0
Refinish Roof Outside		2.7
Refinish Door Frame Opening	R	4.0
	L	4.0

Refinish Hinge Pillar	R			1.0
	L			1.0
Refinish Rocker Panel	R			2.0
	L			2.0
Refinish Rear Pillar	R			2.0
	L			2.0
Refinish Upper Cowl Panel				1.0
Refinish Back Panel				2.0
Add for Inside				1.0
Refinish Roof Rail	R			#1.6
	L			#1.6
#Includes Refinish Outside Area of Windshield Pillar & Roof Rail				
Section Hinge Pillar	R			#9.4
	L			#9.4
#Time is to Cut in Windshield Opening & Door Opening				
Section Rocker Panel	R			#6.5
	L			#6.5
#Time is to Cut in Door Opening				
Section Rear Pillar	R			#11.5
	L			#11.5
#Does Not Include R&I/R&R Interior Trim or Back Glass, Deduct .5 w/Roof Removed, See Manufacturer's Body Repair Manual for Sectioning Procedures				
R&I Cab				#8.0
#Does Not Include R&I/R&R Radiator Add to R&I Cab				
w/Running Boards				1.0
R&I Cowl Grille Assy				#.4
#Includes R&R Wiper Arms, Included in R&I/R&R Windshield Add to R&R Roof Panel				
To R&I/R&R Curtain Air Bag				1.6
Add to R&R Roof Panel w/Satellite Radio				.3
Antenna				
To Drill for Antenna				.5
Add to R&R				
To R&I/R&R Curtain Air Bag	R			#.8
	L			#.8
#w/Headliner Removed				
NOTE : For sectioning methods refer to Manufacturer's Body Repair Procedures.				
NOTE: Manufacturer advises foam fillers have been utilized within panels in this section. Refer to vehicle body/service repair manuals for recommended replacement and safety precautions.				
NOTE: Refer to the Ford Recommended Steel Repairability Matrix for specific information regarding steel descriptions.				
Cab, Complete		N.A.		
1 Grille Assy, Right Cowl	R	BL3Z 15022A68 A	\$102.48	#.6
2 Hose, Washer		9L3Z 17A605 A	\$53.92	
Included w/Right Cowl Grille Assy				
3 Grille, Left Cowl	L	BL3Z 15022A69 A	\$99.40	#.6
#R&R Complete Includes R&R Wiper Arms				
4 Clip, Grille (a)	R	* W710312 S300	\$2.41	
	L	* W710312 S300	\$2.41	
(a) As Required				
5 Nozzle, Washer-See Windshield Section				
6 Seal, Cowl		6L3Z 1502824 A	\$40.10	

7 Extension, Cowl Top #Included in R&R Upper Cowl Panel		BL3Z 15021A36 A	\$78.68	#2.0
8 Panel, Upper Cowl (HSS) 2009-12 2013 To 10-11-13 From 10-11-13 2014		AL3Z 1502010 A AL3Z 1502010 A BL3Z 1502010 A BL3Z 1502010 A	\$184.03 \$184.03	4.0 4.0 4.0
9 Stopper, Glass-See Windshield Section				
10 Brace, Cowl Panel	R	9L3Z 1502428 A	\$10.42	
11 Insulator, Cowl		5L3Z 15023A44 AA	\$64.57	
12 Panel Assy, Lower Cowl	09 10-14	9L3Z 1502018 B AL3Z 1502018 A	\$250.78 \$173.22	#6.5 #6.5
#w/Upper Cowl Panel Removed Deduct 2.5				
13 Deflector, Water (b) (b) Included w/Lower Cowl Panel Assy Adhesive, Panel Bonding (a) (a) As Required		7L1Z 7802408 A TA 1	\$41.35 \$49.98	
14 Panel, Side Cowl (HSS)	R L	9L3Z 1502038 A 9L3Z 1502039 A BL3Z 1501610 A	\$139.85 \$145.13 \$426.60	2.5 2.5
15 Panel, Dash				
16 Insulator, Outer Dash 2009 2010 2011-14 3.5L Turbo, 5.0L Eng 3.7L Eng		9L3Z 1501588 A 9L3Z 1501588 D BL3Z 1501588 E 9L3Z 1501588 D	\$146.22 \$128.48 \$109.98 \$128.48	
17 Clip, Insulator (a) (a) As Required		* W709371 S300	\$1.07	
18 Insulator, Inner Dash	09-10 11-14	9L3Z 1501670 A BL3Z 1501670 B	\$177.08 \$250.33	

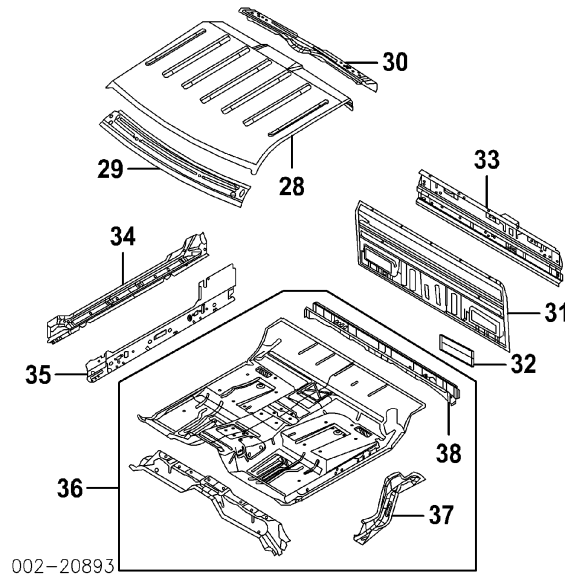


002-20892

19 Frame, Door Opening	R L	9L3Z 15211A10 A 9L3Z 15211A11 A	\$596.43 \$578.43	#15.8 #15.8
------------------------	--------	------------------------------------	----------------------	----------------

#w/Roof Removed Deduct 3.8. Deduction Includes Common Surfaces & Included Operations, Does Not Include R&I/R&R Back Glass

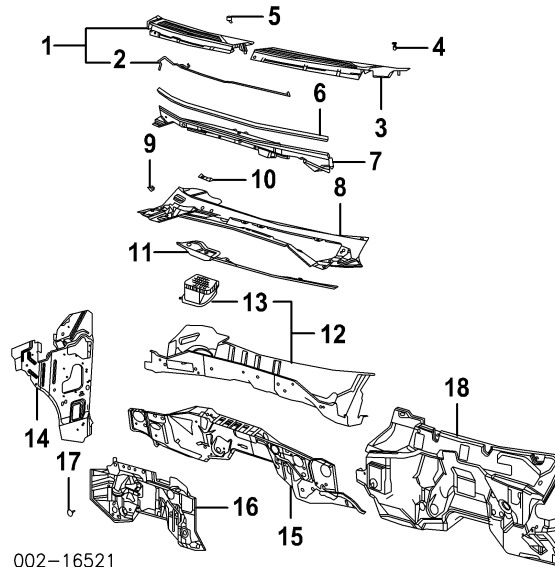
Adhesive, Panel Bonding (a)		TA 1	\$49.98	
(a) As Required				
Striker, Front Door-See Front Door Section				
20 Reinf, Striker	R	9L3Z 15250A06 A	\$34.78	.5
	L	9L3Z 15250A07 A	\$26.07	.5
21 Seal, Lower	R	9L3Z 15101C36 A	\$53.77	.2
	L	9L3Z 15101C36 A	\$53.77	.2
22 Rail, Outer Roof (UHSS)	R	BL3Z 1551186 A	\$616.28	2.0
	L	BL3Z 1551187 A	\$609.40	2.0
23 Reinf, Front Pillar (HSS)	R	9L3Z 1502526 A	\$105.83	1.5
	L	9L3Z 1502527 A	\$110.18	1.5
24 Reinforcement, Hinge	R	9L3Z 1502524 A	\$20.68	
	L	9L3Z 1502524 A	\$20.68	
25 Reinf, Rear Pillar (HSS)	R	9L3Z 1528362 A	\$301.22	3.5
	L	9L3Z 1528363 A	\$301.20	3.5
26 Panel, Rear Inner Corner (HSS)	R	9L3Z 1540476 A	\$178.93	1.5
	L	9L3Z 1540477 A	\$174.57	1.5
27 Extension, Corner Panel (HSS)	R	9L3Z 16278B10 A	\$41.90	.7
	L	9L3Z 16278B11 A	\$28.80	.7



28 Panel, Roof		DL3Z 1550202 A	\$448.80	#13.0
#Does Not Include R&I/R&R Back Glass, See Manufacturer's Body Repair Manual for Procedures				
Adhesive, Panel Bonding (a)		TA 1	\$49.98	
(a) As Required				
29 Panel, Front Header (HSS)		9L3Z 1503418 A	\$54.30	2.0
30 Panel, Rear Header (HSS)		9L3Z 1540484 A	\$114.18	2.0
31 Panel, Back		9L3Z 1640300 A	\$208.07	#10.5
#w/Bed Assy Removed, Includes R&R Panel Reinf, Does Not Include R&I/R&R Back Glass				
32 Grille, Air Inlet	R	9L3Z 15280B62 A	\$48.35	.2
	L	9L3Z 15280B62 A	\$48.35	.2

33 Reinf, Panel	09		9L3Z 15403E32 A	\$358.23	2.5
	10		AL3Z 15403E32 A	\$173.20	2.5
	11-14		BL3Z 15403E32 A	\$260.90	2.5
34 Reinf, Rocker (HSS)		R	9L3Z 1510142 A	\$104.10	3.5
		L	9L3Z 1510143 A	\$111.35	3.5
35 Sidemember, Floor (HSS)		R	9L3Z 1510116 A	\$106.57	2.0
		L	9L3Z 1510117 A	\$138.98	2.0
Adhesive, Panel Bonding (a)			TA 1	\$49.98	
(a) As Required					
36 Pan Assy, Floor			BL3Z 1511135 B	\$1,611.45	
37 Sidemember, Inner (c)	11-13	R	BL3Z 1510534 A	\$275.67	
		L	BL3Z 1510535 A	\$275.67	
38 Crossmember, Rear Floor (HSS) (c)			9L3Z 15107A94 A	\$367.92	3.0

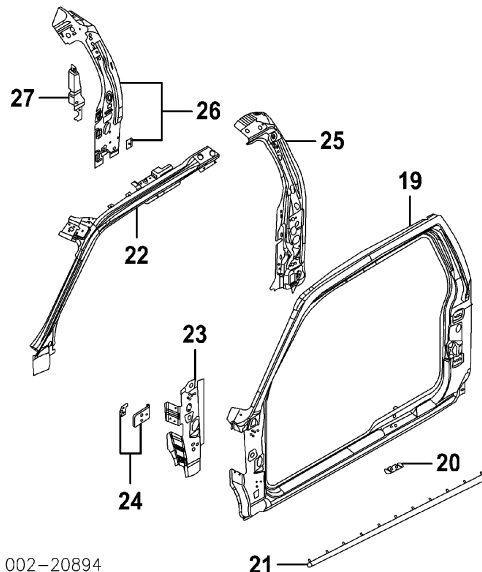
SHEET METAL SHEET METAL EXTENDED CAB



Refinish Complete Cab Outside					23.3
Add to Refinish Inside					8.0
Refinish Roof Outside					3.1
Refinish Door Frame Opening		R			5.0
		L			5.0
Refinish Hinge Pillar		R			1.0
		L			1.0
Refinish Rocker Panel		R			2.0
		L			2.0
Refinish Rear Pillar		R			2.0
		L			2.0
Refinish Upper Cowl Panel					1.0
Refinish Back Panel					2.0
Add for Inside					1.0
Refinish Roof Rail		R			#1.6

#Includes Refinish Outside Area of Windshield Pillar & Roof Rail	L			#1.6
Section Hinge Pillar	R			#9.4
	L			#9.4
#Time is to Cut in Windshield Opening & Door Opening				
Section Rocker Panel	R			#7.0
	L			#7.0
#w/Necessary Bolted Parts & Interior Trim Removed, See Manufacturer's Body Repair Manual for Sectioning Procedures				
Section Rear Pillar	R			#12.4
	L			#12.4
#w/Door Assy Removed, Does Not Include R&I/R&R Interior Trim or Back Glass, Deduct 1.0 w/Roof Removed, See Manufacturer's Body Repair Manual for Sectioning Procedures				
R&I Cab				#8.0
#Does Not Include R&I/R&R Radiator Add to R&I Cab				
w/Running Boards				1.0
R&I Cowl Grille Assy				#.4
#Includes R&R Wiper Arms, Included in R&I/R&R Windshield Add to R&R Roof Panel				
To R&I/R&R Curtain Air Bag				1.6
Add to R&R Roof Panel w/Satellite Radio				.3
Antenna				
To Drill for Antenna				.5
Add to R&R Roof Panel w/Overhead Console				.2
Add to R&R				
To R&I/R&R Curtain Air Bag	R			#.8
	L			#.8
#w/Headliner Removed				
To R&I/R&R Rear Side Impact Sensor	R			.4
	L			.4
NOTE : For sectioning methods refer to Manufacturer's Body Repair Procedures.				
NOTE: Manufacturer advises foam fillers have been utilized within panels in this section. Refer to vehicle body/service repair manuals for recommended replacement and safety precautions.				
NOTE: Refer to the Ford Recommended Steel Repairability Matrix for specific information regarding steel descriptions.				
Cab, Complete		N.A.		
1 Grille Assy, Right Cowl	R	BL3Z 15022A68 A	\$102.48	#.6
2 Hose, Washer		9L3Z 17A605 A	\$53.92	
Included w/Right Cowl Grille Assy				
3 Grille, Left Cowl	L	BL3Z 15022A69 A	\$99.40	#.6
#R&R Complete Includes R&R Wiper Arms				
4 Clip, Grille (a)	R	* W710312 S300	\$2.41	
	L	* W710312 S300	\$2.41	
(a) As Required				
5 Nozzle, Washer-See Windshield Section				
6 Seal, Cowl		6L3Z 1502824 A	\$40.10	
7 Extension, Cowl Top		BL3Z 15021A36 A	\$78.68	#2.0
#Included in R&R Upper Cowl Panel				
8 Panel, Upper Cowl (HSS)				
2009-12		AL3Z 1502010 A	\$184.03	4.0
2013				
To 10-11-13		AL3Z 1502010 A	\$184.03	4.0

From 10-11-13		BL3Z 1502010 A		4.0
2014		BL3Z 1502010 A		4.0
9 Stopper, Glass-See Windshield Section				
10 Brace, Cowl Panel	R	9L3Z 1502428 A	\$10.42	
11 Insulator, Cowl		5L3Z 15023A44 AA	\$64.57	
12 Panel Assy, Lower Cowl	09	9L3Z 1502018 B	\$250.78	#6.5
	10-14	AL3Z 1502018 A	\$173.22	#6.5
#w/Upper Cowl Panel Removed Deduct 2.5				
13 Deflector, Water (b)		7L1Z 7802408 A	\$41.35	
(b) Included w/Lower Cowl Panel Assy				
Adhesive, Panel Bonding (a)				
(a) As Required				
14 Panel, Side Cowl (HSS)	R	9L3Z 1502038 A	\$139.85	2.5
	L	9L3Z 1502039 A	\$145.13	2.5
15 Panel, Dash		BL3Z 1501610 A	\$426.60	
16 Insulator, Outer Dash				
2009				
XL, STX, XLT, FX4 Model				
		9L3Z 1501588 A	\$146.22	
Lariat Model				
		9L3Z 1501588 C	\$204.22	
2010				
XL, STX, XLT Model				
		9L3Z 1501588 D	\$128.48	
XTR, FX2, FX4 Model				
		9L3Z 1501588 D	\$128.48	
Lariat Model				
		9L3Z 1501588 E	\$195.12	
2011-14				
3.5L Turbo, 5.0L Eng				
		BL3Z 1501588 E	\$109.98	
3.7L, 6.2L Eng				
		9L3Z 1501588 D	\$128.48	
17 Clip, Insulator (a)		* W709371 S300	\$1.07	
(a) As Required				
18 Insulator, Inner Dash	09-10	9L3Z 1501670 A	\$177.08	
	11-14	BL3Z 1501670 B	\$250.33	



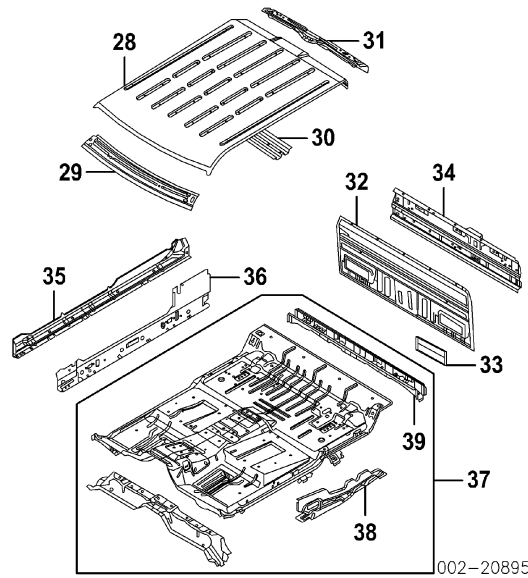
002-20894

19 Frame, Door Opening	R	AL3Z 18211A10 B	\$772.02	#20.0
	L	AL3Z 18211A11 B	\$916.18	#20.0

#w/Roof Removed Deduct 3.8. Deduction Includes Common

Surfaces & Included Operations, Does Not Include R&I/R&R
Back Glass

Adhesive, Panel Bonding (a)		TA 1	\$49.98	
<i>(a) As Required</i>				
Striker, Upper Latch-See Rear Door Section				
Striker, Lower Latch-See Rear Door Section				
20 Plate, Striker Tapping	R	9L3Z 1526590 A	\$5.65	
	L	9L3Z 1526590 A	\$5.65	
21 Seal, Lower	R	9L3Z 15101C36 A	\$53.77	.2
	L	9L3Z 15101C36 A	\$53.77	.2
22 Rail, Outer Roof (UHSS)	R	BL3Z 1851186 A	\$567.65	2.0
	L	BL3Z 1851187 A	\$601.65	2.0
23 Reinf, Front Pillar (HSS)	R	9L3Z 1502526 A	\$105.83	1.5
	L	9L3Z 1502527 A	\$110.18	1.5
24 Reinforcement, Hinge	R	9L3Z 1502524 A	\$20.68	
	L	9L3Z 1502524 A	\$20.68	
25 Reinf, Rear Pillar (HSS)	R	9L3Z 1828136 A	\$257.30	3.5
	L	9L3Z 1828137 A	\$257.27	3.5
26 Panel, Rear Inner Corner (HSS)	R	9L3Z 1840476 A	\$140.10	1.5
	L	9L3Z 1840477 A	\$112.63	1.5
27 Extension, Corner Panel (HSS)	R	9L3Z 16278B10 A	\$41.90	.7
	L	9L3Z 16278B11 A	\$28.80	.7

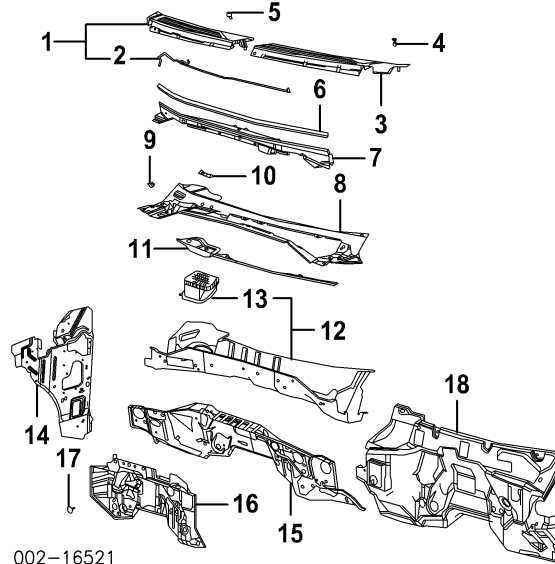


28 Panel, Roof				
w/Sunroof		DL3Z 1850202 B	\$816.02	#15.2
w/o Sunroof		DL3Z 1850202 A	\$520.47	#14.0
<i>#Does Not Include R&I/R&R Back Glass, See Manufacturer's Body Repair Manual for Procedures</i>				
Adhesive, Panel Bonding (a)		TA 1	\$49.98	
<i>(a) As Required</i>				
29 Panel, Front Header (HSS)		9L3Z 1503418 A	\$54.30	2.0
30 Reinf, Roof (HSS)		9L3Z 16502A74 A	\$69.47	1.0
31 Panel, Rear Header (HSS)		9L3Z 1540484 A	\$114.18	2.0
32 Panel, Back		9L3Z 1640300 A	\$208.07	#10.5

#w/Bed Assy Removed, Includes R&R Panel Reinf, Does Not
Include R&I/R&R Back Glass

Adhesive, Panel Bonding (a)		TA 1	\$49.98	
(a) As Required				
33	Grille, Air Inlet	R	9L3Z 15280B62 A	\$48.35 .2
		L	9L3Z 15280B62 A	\$48.35 .2
34	Reinf, Panel	09	9L3Z 18403E32 A	\$307.30 2.5
		10-14	AL3Z 18403E32 A	\$173.40 2.5
35	Reinf, Rocker (HSS)	R	9L3Z 1810142 A	\$179.68 3.5
		L	9L3Z 1810143 A	\$118.25 3.5
36	Sidemember, Floor (HSS)	R	9L3Z 1810116 A	\$258.73 2.0
		L	9L3Z 1810117 A	\$224.18 2.0
37	Pan Assy, Floor		BL3Z 1811135 B	\$1,866.32
38	Sidemember, Inner (c)	11-14	R BL3Z 1810128 A	\$137.88 .8
			L BL3Z 1810129 A	\$123.52 .8
39	Crossmember, Rear Floor (HSS) (c)		9L3Z 18107A94 A	\$276.45 3.0

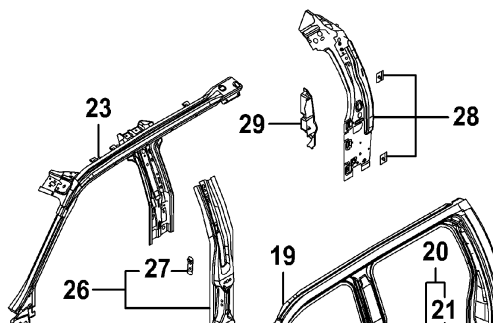
SHEET METAL
SHEET METAL CREW CAB

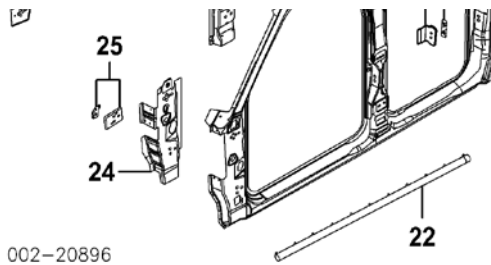


Refinish Cab Complete Outside		25.9
Add for Inside		4.6
Refinish Roof Outside		3.3
Refinish Door Opening Frame	R	6.0
	L	6.0
Refinish Hinge Pillar	R	1.0
	L	1.0
Refinish Center Pillar & Rocker Panel	R	3.0
	L	3.0
Refinish Front Rocker Panel	R	1.8
	L	1.8
Refinish Rear Rocker Panel	R	1.8
	L	1.8

Refinish Rear Pillar	R			2.0
	L			2.0
Refinish Back Panel				2.2
Add for Inside				1.0
Refinish Roof Rail	R			#1.6
	L			#1.6
#Includes Refinish Outside Area of Windshield Pillar & Roof Rail				
Section Hinge Pillar	R			#9.4
	L			#9.4
#Time is to Cut in Windshield Opening & Door Opening				
Section Rocker Panel				
Front	R			#6.5
	L			#6.5
Rear	R			#6.5
	L			#6.5
#w/Necessary Bolted Parts & Interior Trim Removed, See Manufacturer's Body Repair Manual for Sectioning Procedures				
Section Center Pillar & Rocker Panel	R			#14.4
	L			#14.4
#See Manufacturer's Body Repair Manual for Sectioning Procedures				
Section Rear Pillar	R			#12.0
	L			#12.0
#Does Not Include R&I/R&R Interior Trim or Back Glass, Deduct 1.5 w/Roof Removed, See Manufacturer's Body Repair Manual for Sectioning Procedures				
R&I Cab				#8.5
#Does Not Include R&I/R&R Radiator Add to R&I Cab				
w/Running Boards				1.0
R&I Cowl Grille Assy				#.4
#Includes R&R Wiper Arms, Included in R&I/R&R Windshield Add to R&R Roof Panel				
To R&I/R&R Side Curtain Air Bags				1.6
Add to R&R Roof Panel w/Satellite Radio				.3
Antenna				
To Drill for Antenna				.5
Add to R&R Roof Panel w/Overhead Console				.2
Add to R&R				
To R&I/R&R Curtain Air Bag	R			#.8
	L			#.8
#w/Headliner Removed				
To R&I/R&R Rear Side Impact Sensor	R			.4
	L			.4
NOTE : For sectioning methods refer to Manufacturer's Body Repair Procedures.				
NOTE: Manufacturer advises foam fillers have been utilized within panels in this section. Refer to vehicle body/service repair manuals for recommended replacement and safety precautions.				
NOTE: Refer to the Ford Recommended Steel Repairability Matrix for specific information regarding steel descriptions.				
Cab, Complete			N.A.	
1 Grille Assy, Right Cowl	R	BL3Z 15022A68 A	\$102.48	#.6
2 Hose, Washer		9L3Z 17A605 A	\$53.92	
Included w/Right Cowl Grille Assy				
3 Grille, Left Cowl	L	BL3Z 15022A69 A	\$99.40	#.6
#R&R Complete Includes R&R Wiper Arms				

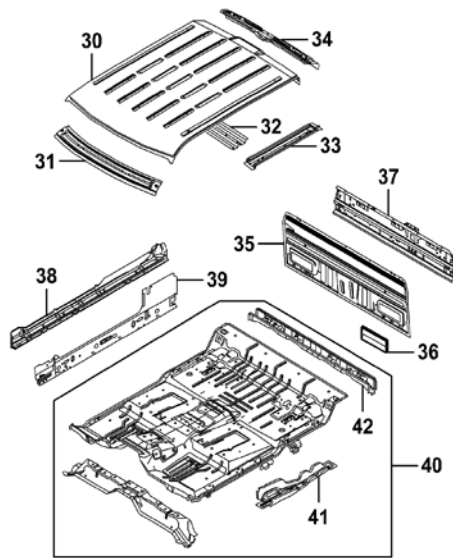
4	Clip, Grille (a)	R	* W710312 S300	\$2.41	
		L	* W710312 S300	\$2.41	
	(a) As Required				
5	Nozzle, Washer-See Windshield Section				
6	Seal, Cowl		6L3Z 1502824 A	\$40.10	
7	Extension, Cowl Top		BL3Z 15021A36 A	\$78.68	#2.0
	#Included in R&R Upper Cowl Panel				
8	Panel, Upper Cowl (HSS)				
	2009-12		AL3Z 1502010 A	\$184.03	4.0
	2013				
	To 10-11-13		AL3Z 1502010 A	\$184.03	4.0
	From 10-11-13		BL3Z 1502010 A		4.0
	2014		BL3Z 1502010 A		4.0
9	Stopper, Glass-See Windshield Section				
10	Brace, Cowl Panel	R	9L3Z 1502428 A	\$10.42	
11	Insulator, Cowl		5L3Z 15023A44 AA	\$64.57	
12	Panel Assy, Lower Cowl	09	9L3Z 1502018 B	\$250.78	#6.5
		10-14	AL3Z 1502018 A	\$173.22	#6.5
	#w/Upper Cowl Panel Removed Deduct 2.5				
13	Deflector, Water (b)		7L1Z 7802408 A	\$41.35	
	(b) Included w/Lower Cowl Panel Assy				
	Adhesive, Panel Bonding (a)		TA 1	\$49.98	
	(a) As Required				
14	Panel, Side Cowl (HSS)	R	9L3Z 1502038 A	\$139.85	2.5
		L	9L3Z 1502039 A	\$145.13	2.5
15	Panel, Dash		BL3Z 1501610 A	\$426.60	
16	Insulator, Outer Dash				
	2009				
	XL, XLT, FX4 Model		9L3Z 1501588 A	\$146.22	
	Lariat, King Ranch, Platinum Model		9L3Z 1501588 C	\$204.22	
	2010				
	XL, XLT, XTR Model		9L3Z 1501588 D	\$128.48	
	FX2, FX4 Model		9L3Z 1501588 D	\$128.48	
	Lariat, King Ranch Model		9L3Z 1501588 E	\$195.12	
	Platinum, Harley-Davidson Model		9L3Z 1501588 E	\$195.12	
	2011-14				
	3.5L Turbo, 5.0L Eng		BL3Z 1501588 E	\$109.98	
	3.7L, 6.2L Eng		9L3Z 1501588 D	\$128.48	
17	Clip, Insulator (a)		* W709371 S300	\$1.07	
	(a) As Required				
18	Insulator, Inner Dash	09-10	9L3Z 1501670 A	\$177.08	
		11-14	BL3Z 1501670 B	\$250.33	





002-20896

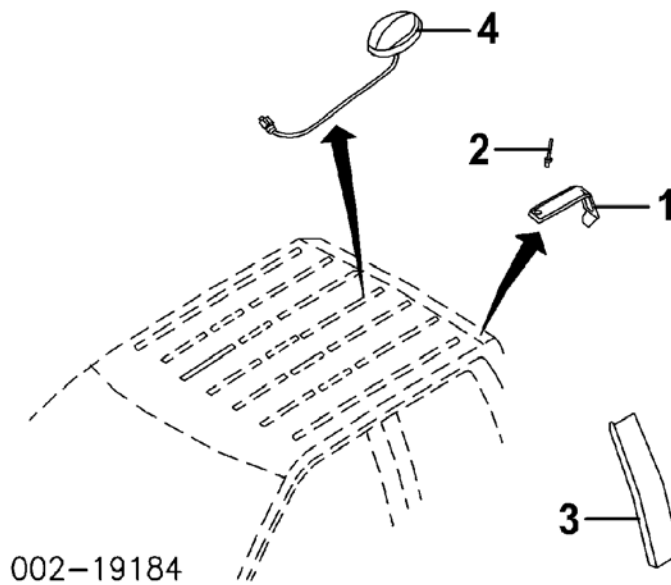
19	Frame, Door Opening	R	AL3Z 16211A10 A	\$894.35	#25.0
		L	AL3Z 16211A11 A	\$964.73	#25.0
	#w/Roof Removed Deduct 3.8. Deduction Includes Common Surfaces & Included Operations, Does Not Include R&I/R&R Back Glass				
	Adhesive, Panel Bonding (a)		TA 1	\$49.98	
	(a) As Required				
	Striker, Front Door-See Front Door Section				
	Striker, Rear Door-See Rear Door Section				
20	Reinforcement Assy, Striker	R	9L3Z 16250A06 A	\$51.02	.5
		L	9L3Z 16250A07 A	\$23.17	.5
21	Plate, Striker Tapping (c)	R	9L3Z 1526590 A	\$5.65	
		L	9L3Z 1526590 A	\$5.65	
	(c) Included w/Striker Reinforcement Assy				
22	Seal, Lower	R	9L3Z 16101C36 A	\$74.52	.2
		L	9L3Z 16101C36 A	\$74.52	.2
23	Rail, Upper (UHSS)	R	BL3Z 1651186 A	\$682.62	2.0
		L	BL3Z 1651187 A	\$754.17	2.0
24	Reinf, Front Pillar (HSS)	R	9L3Z 1502526 A	\$105.83	1.5
		L	9L3Z 1502527 A	\$110.18	1.5
25	Reinf, Hinge	R	9L3Z 1502524 A	\$20.68	.5
		L	9L3Z 1502524 A	\$20.68	.5
26	Panel Assy, Center Pillar (UHSS)				
	2009-10	R	9L3Z 1624300 A	\$231.75	3.0
		L	BL3Z 1624301 A	\$315.07	3.0
	2011				
	To 2-5-11	R	9L3Z 1624300 A	\$231.75	3.0
		L	BL3Z 1624301 A	\$315.07	3.0
	From 2-5-11	R	BL3Z 1624300 A	\$315.07	3.0
		L	BL3Z 1624301 A	\$315.07	3.0
	2012-14	R	BL3Z 1624300 A	\$315.07	3.0
		L	BL3Z 1624301 A	\$315.07	3.0
27	Plate, Striker Tapping (d)	R	9L3Z 1526590 A	\$5.65	
		L	9L3Z 1526590 A	\$5.65	
	(d) Included w/Center Pillar Panel Assy				
28	Panel, Rear Inner Corner (HSS)	R	9L3Z 1640476 A	\$152.32	3.0
		L	9L3Z 1640477 B	\$165.97	3.0
29	Extension, Corner Panel (HSS)	R	9L3Z 16278B10 A	\$41.90	.7
		L	9L3Z 16278B11 A	\$28.80	.7



002-20897

30 Panel, Roof				
w/Sunroof		DL3Z 1650202 B	\$890.13	#19.7
w/o Sunroof		DL3Z 1650202 A	\$570.88	#18.5
<i>#Does Not Include R&I/R&R Back Glass, See Manufacturer's Body Repair Manual for Procedures</i>				
Adhesive, Panel Bonding (a)		TA 1	\$49.98	
<i>(a) As Required</i>				
31 Panel, Front Header (HSS)		9L3Z 1503418 A	\$54.30	2.0
Reinf, Roof (HSS)				
32 Front		9L3Z 16502A74 A	\$69.47	1.0
33 Rear		9L3Z 1650222 A	\$32.52	1.0
34 Panel, Rear Header (HSS)		9L3Z 1540484 A	\$114.18	2.0
35 Panel, Back		9L3Z 1640300 A	\$208.07	#10.5
<i>#w/Bed Assy Removed, Includes R&R Panel Reinf, Does Not Include R&I/R&R Back Glass</i>				
Adhesive, Panel Bonding (a)		TA 1	\$49.98	
<i>(a) As Required</i>				
36 Grille, Air Inlet		R 9L3Z 15280B62 A	\$48.35	.2
		L 9L3Z 15280B62 A	\$48.35	.2
37 Reinf, Panel	09	9L3Z 16403E32 A	\$212.13	2.5
	10-14	AL3Z 16403E32 A	\$180.03	2.5
38 Reinf, Rocker (HSS)		R AL3Z 1610142 A	\$180.18	3.5
		L AL3Z 1610143 A	\$249.55	3.5
39 Sidemember, Floor (HSS)		R 9L3Z 1610116 A	\$261.43	2.0
		L 9L3Z 1610117 A	\$243.93	2.0
40 Pan Assy, Floor		BL3Z 1611135 B	\$1,424.62	
41 Sidemember, Inner (e)	11-14	R BL3Z 1810128 A	\$137.88	
		L BL3Z 1810129 A	\$123.52	
42 Crossmember, Rear Floor (HSS) (e)		9L3Z 18107A94 A	\$276.45	3.0
<i>(e) Included w/Floor Pan Assy</i>				

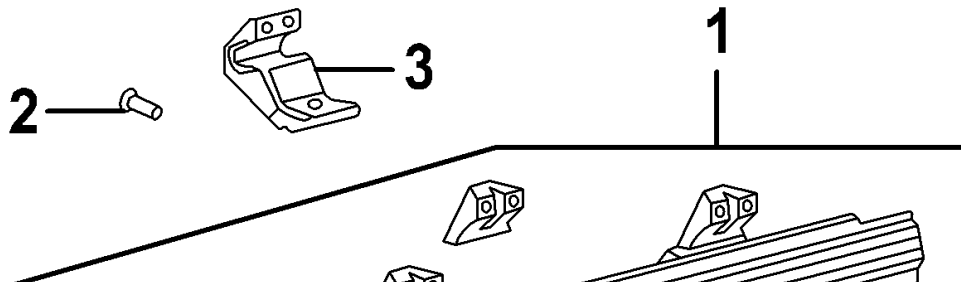
EXTERIOR TRIM

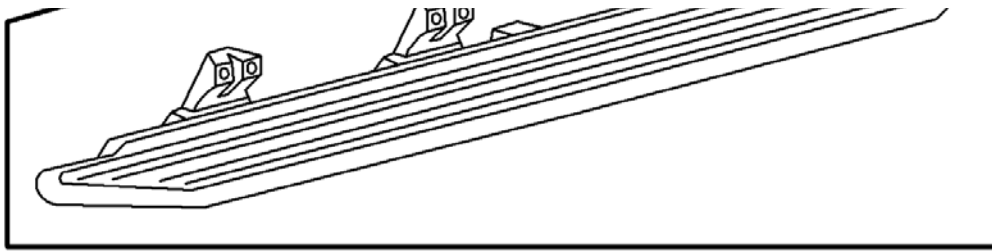


002-19184					
Refinish Side Moulding	R				.5
	L				.5
Refinish Satellite Radio Antenna					.5
R&I Roof Moulding	R				#.4
	L				#.4
#w/Back Window Removed					
R&I Satellite Radio Antenna					#.3
#w/Necessary Trim Removed					
1 Moulding, Roof	R	9L3Z 1651728 AA	\$37.88		#.4
	L	9L3Z 1651729 AA	\$37.88		#.4
#w/Back Window Removed					
2 Rivet, Moulding (2/Side)	R	* W713819 S900	\$1.07		
	L	* W713819 S900	\$1.07		
3 Moulding, Side (P)					
Regular Cab	R	9L3Z 15255A34 APTM	\$206.73		.2
	L	9L3Z 15255A35 APTM	\$206.73		.2
(P) Paint to Match					
4 Antenna, Combination	09-12	9L3Z 10E893 C	\$76.07		#.3
	13-14	DL3Z 10E893 B	\$30.10		#.3

#w/Necessary Trim Removed

EXTERIOR TRIM
EXTERIOR TRIM RUNNING
BOARDS STATIONARY

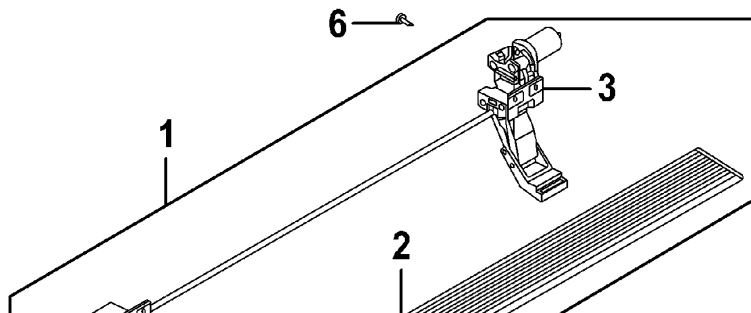


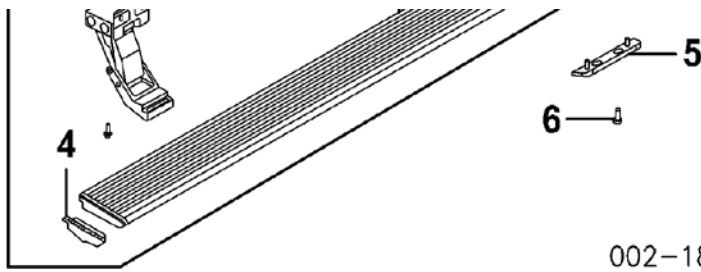


002-16553

R&I Running Board	R			.5
	L			.5
1 Board, Running				
Extended Cab	R	6L3Z 16450 JA	\$499.53	.5
	L	6L3Z 16451 JA	\$465.08	.5
Crew Cab				
XL, XLT, XTR Model	R	9L3Z 16450 DA	\$685.42	.5
	L	9L3Z 16451 DA	\$685.23	.5
King Ranch Model	09-10	R 9L3Z 16450 CA	\$694.50	.5
		L 9L3Z 16451 CA	\$694.50	.5
	11-14	R 9L3Z 16450 CD	\$726.73	.5
		L 9L3Z 16451 CB	\$641.07	.5
2 Bolt, Mounting (12/Side)				
Extended Cab	R	* N806738 S301	\$7.82	
	L	* N806738 S301	\$7.82	
Crew Cab				
XL, XLT, XTR Model	R	* N806738 S301	\$7.82	
	L	* N806738 S301	\$7.82	
King Ranch Model	R	* N806738 S36	\$0.51	
	L	* N806738 S36	\$0.51	
3 Bracket, Mounting				
Extended Cab-Serviced w/Running Board				
Crew Cab				
XL, XLT, XTR Model-Serviced w/Running Board				
King Ranch Model, (3/Side)	R	4L3Z 16A506 AA	\$76.67	
	L	4L3Z 16A506 AA	\$76.67	

**EXTERIOR TRIM
EXTERIOR TRIM RUNNING
BOARDS POWER**





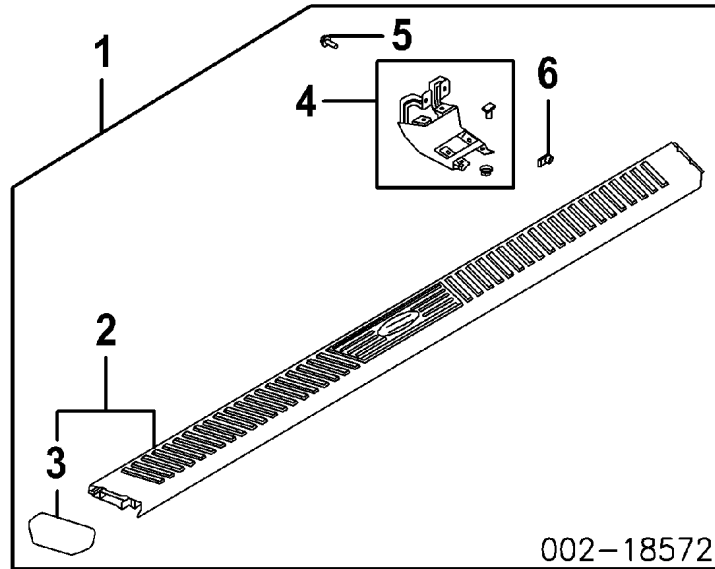
002-18571

Refinish Running Board	R			1.3
	L			1.3
Refinish End Cap				
Front	R			#.3
	L			#.3
Rear	R			#.3
	L			#.3
#Included in Refinish Running Board				
R&I Running Board Assy	R			.5
	L			.5
1 Board Assy, Running				
2009	R	AL3Z 16450 C	\$2,031.57	.5
	L	AL3Z 16451 A	\$1,939.38	.5
2010				
Platinum Model	R	AL3Z 16450 C	\$2,031.57	.5
	L	AL3Z 16451 A	\$1,939.38	.5
Harley-Davidson Model (P)	R	AL3Z 16450 ADPTM	\$2,638.73	.5
	L	AL3Z 16451 ADPTM	\$2,638.57	.5
2011				
Platinum, Lariat Limited Model	R	AL3Z 16450 C	\$2,031.57	.5
	L	AL3Z 16451 A	\$1,939.38	.5
Harley-Davidson Model (P)	R	AL3Z 16450 ADPTM	\$2,638.73	.5
	L	AL3Z 16451 ADPTM	\$2,638.57	.5
2012				
Platinum Model	R	AL3Z 16450 C	\$2,031.57	.5
	L	AL3Z 16451 A	\$1,939.38	.5
Harley-Davidson Model (P)	R	AL3Z 16450 ADPTM	\$2,638.73	.5
	L	AL3Z 16451 ADPTM	\$2,638.57	.5
2013-14				
Platinum, Limited Model	R	AL3Z 16450 C	\$2,031.57	.5
	L	AL3Z 16451 A	\$1,939.38	.5
2 Board, Running				
2009	R	9L3Z 16490 B	\$740.32	.5
	L	9L3Z 16490 B	\$740.32	.5
2010				
Platinum Model	R	9L3Z 16490 D	\$890.12	.5
	L	9L3Z 16490 D	\$890.12	.5
Harley-Davidson Model (P)	R	AL3Z 16490 AA	\$1,176.22	.5
	L	AL3Z 16490 AA	\$1,176.22	.5
2011				
Platinum, Lariat Limited Model	R	9L3Z 16490 D	\$890.12	.5
	L	9L3Z 16490 D	\$890.12	.5

Harley-Davidson Model (P)	R	AL3Z 16490 AA	\$1,176.22	.5
	L	AL3Z 16490 AA	\$1,176.22	.5
2012				
Platinum Model	R	9L3Z 16490 D	\$890.12	.5
	L	9L3Z 16490 D	\$890.12	.5
Harley-Davidson Model (P)	R	AL3Z 16490 AA	\$1,176.22	.5
	L	AL3Z 16490 AA	\$1,176.22	.5
2013-14				
Platinum, Limited Model	R	9L3Z 16490 D	\$890.12	.5
	L	9L3Z 16490 D	\$890.12	.5
(P) Paint to Match				
3 Bracket, Mounting	R	AL3Z 16A506 A	\$1,570.67	#.8
	L	AL3Z 16A507 A	\$1,570.67	#.8
#Includes R&R Running Board				
4 Cap, End				
2009				
Front	R	9L3Z 16A454 A	\$112.28	
	L	9L3Z 16A455 A	\$112.28	
Rear	R	9L3Z 16A455 A	\$112.28	
	L	9L3Z 16A455 A	\$112.28	
2010				
Platinum Model				
Front	R	9L3Z 16A454 A	\$112.28	
	L	9L3Z 16A455 A	\$112.28	
Rear	R	9L3Z 16A455 A	\$112.28	
	L	9L3Z 16A454 A	\$112.28	
Harley-Davidson Model (P)				
Front	R	AL3Z 16A454 AAPT	\$49.53	
	L	AL3Z 16A455 AAPT	\$49.53	
Rear	R	AL3Z 16A455 AAPT	\$49.53	
	L	AL3Z 16A454 AAPT	\$49.53	
2011				
Platinum, Lariat Limited Model				
Front	R	9L3Z 16A454 A	\$112.28	
	L	9L3Z 16A455 A	\$112.28	
Rear	R	9L3Z 16A455 A	\$112.28	
	L	9L3Z 16A454 A	\$112.28	
Harley-Davidson Model (P)				
Front	R	AL3Z 16A454 AAPT	\$49.53	
	L	AL3Z 16A455 AAPT	\$49.53	
Rear	R	AL3Z 16A455 AAPT	\$49.53	
	L	AL3Z 16A454 AAPT	\$49.53	
2012				
Platinum Model				
Front	R	9L3Z 16A454 A	\$112.28	
	L	9L3Z 16A455 A	\$112.28	
Rear	R	9L3Z 16A455 A	\$112.28	
	L	9L3Z 16A454 A	\$112.28	
Harley-Davidson Model (P)				
Front	R	AL3Z 16A454 AAPT	\$49.53	
	L	AL3Z 16A455 AAPT	\$49.53	

Rear	R	AL3Z 16A455 AAPT	\$49.53
	L	AL3Z 16A454 AAPT	\$49.53
2013-14 Platinum, Limited Model			
Front	R	9L3Z 16A454 A	\$112.28
	L	9L3Z 16A455 A	\$112.28
Rear	R	9L3Z 16A455 A	\$112.28
	L	9L3Z 16A454 A	\$112.28
Included w/Running Board Assy (P) Paint to Match			
5 Cover, Bracket (2/Side)	R	9L3Z 16N454 A	\$18.73
	L	9L3Z 16N454 A	\$18.73
6 Bolt, Mounting (8/Side)	R	* W705196 S439	\$1.61
	L	* W705196 S439	\$1.61

EXTERIOR TRIM
EXTERIOR TRIM STEP RAILS
STEP RAILS ANGULAR 2010-11



R&I Step Rail Assy	R			.5
	L			.5
1 Rail Assy, Step Extended Cab				
Chrome	R	CL3Z 16450 BA	\$799.62	.5
	L	CL3Z 16451 BA	\$500.00	.5
Accent Color	R	CL3Z 16450 BB	\$774.20	.5
	L	CL3Z 16451 BB	\$774.20	.5
Crew Cab				
Chrome	R	CL3Z 16450 CA	\$948.05	.5
	L	CL3Z 16451 CA	\$948.05	.5
Accent Color	R	CL3Z 16450 CB	\$837.35	.5
	L	CL3Z 16451 CB	\$837.35	.5
2 Rail Assy				

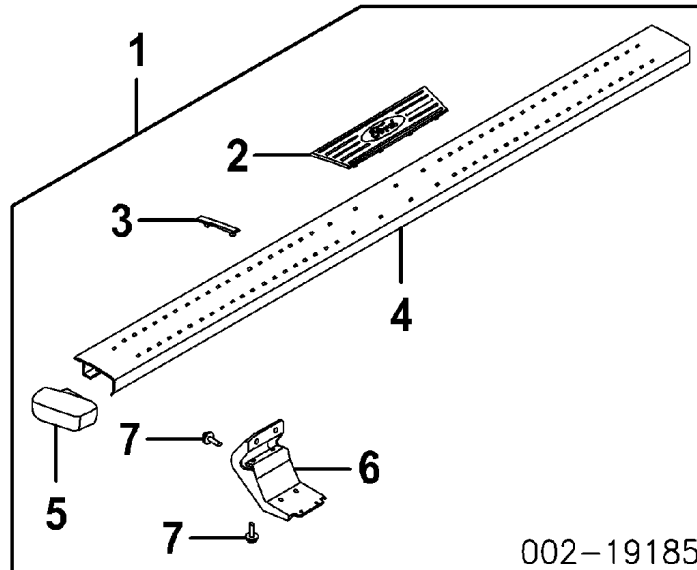
Extended Cab				
Chrome	R	AL3Z 16458 AA	\$1,044.97	.5
	L	AL3Z 16458 AA	\$1,044.97	.5
Accent Color	R	AL3Z 16458 AB	\$1,164.55	.5
	L	AL3Z 16458 AB	\$1,164.55	.5
Crew Cab				
Chrome	R	AL3Z 16458 BA	\$972.18	.5
	L	AL3Z 16458 BA	\$972.18	.5
Accent Color	R	AL3Z 16458 BB	\$1,159.42	.5
	L	AL3Z 16458 BB	\$1,159.42	.5
3 Cap, End (2/Side) (b)	R	AL3Z 16A454 AA	\$93.58	
	L	AL3Z 16A454 AA	\$93.58	
<i>(b) Included w/Rail Assy</i>				
4 Bracket, Mounting (a)	R	AL3Z 16A506 AA	\$216.72	
	L	AL3Z 16A506 AA	\$216.72	
5 Bolt, Mounting (a)	R	* W705196 S439	\$1.61	
	L	* W705196 S439	\$1.61	
6 Nut, Mounting (a)	R	* W520833 S439	\$1.07	
	L	* W520833 S439	\$1.07	

*(a) As Required
Included w/Step Rail Assy*

EXTERIOR TRIM

EXTERIOR TRIM STEP RAILS

STEP RAILS ANGULAR 2012-14

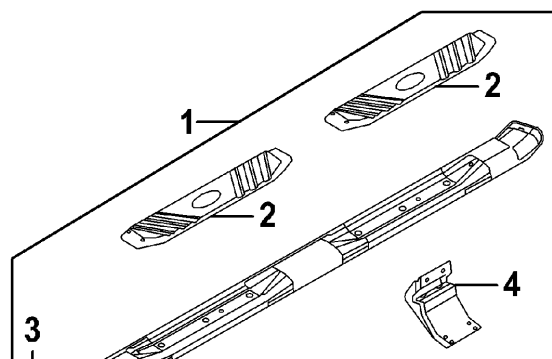


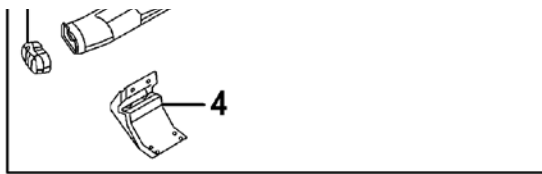
R&I Step Rail Assy				
	R			.5
	L			.5
1 Rail Assy, Step				
Extended Cab				
Chrome	R	CL3Z 16450 BA	\$799.62	.5
	L	CL3Z 16451 BA	\$500.00	.5
Accent Color	R	CL3Z 16450 BB	\$774.20	.5

Crew Cab	L	CL3Z 16451 BB	\$774.20	.5
Chrome	R	CL3Z 16450 CA	\$948.05	.5
	L	CL3Z 16451 CA	\$948.05	.5
Accent Color	R	CL3Z 16450 CB	\$837.35	.5
	L	CL3Z 16451 CB	\$837.35	.5
2 Mat, Step	R	CL3Z 16490 BA	\$129.78	.5
	L	CL3Z 16490 BA	\$129.78	.5
3 Insert, Step Pad (a)				
Front	R	CL3Z 16491 AA	\$30.33	
	L	CL3Z 16490 AA	\$30.33	
Rear	R	CL3Z 16490 AA	\$30.33	
	L	CL3Z 16491 AA	\$30.33	
<i>(a) As Required</i>				
4 Rail, Step				
Extended Cab				
Chrome	R	CL3Z 16458 BA	\$788.20	.5
	L	CL3Z 16458 BA	\$788.20	.5
Accent Color	R	CL3Z 16458 BB	\$756.08	.5
	L	CL3Z 16458 BB	\$756.08	.5
Crew Cab				
Chrome	R	CL3Z 16458 CA	\$846.28	.5
	L	CL3Z 16458 CA	\$846.28	.5
Accent Color	R	CL3Z 16458 CB	\$734.57	.5
	L	CL3Z 16458 CB	\$734.57	.5
5 Cap, End				
Front	R	CL3Z 16A455 AA	\$64.52	
	L	CL3Z 16A454 AA	\$64.52	
Rear	R	CL3Z 16A454 AA	\$64.52	
	L	CL3Z 16A455 AA	\$64.52	
6 Bracket, Mounting (2/Side)	R	BC3Z 16A506 A	\$81.85	
	L	BC3Z 16A506 A	\$81.85	
7 Bolt, Mounting (a)	R	* W705196 S439	\$1.61	
	L	* W705196 S439	\$1.61	

(a) As Required
Included w/Step Rail Assy

EXTERIOR TRIM EXTERIOR TRIM STEP RAILS STEP RAILS ELIPTICAL 2009-10





5

002-17608

R&I Step Rail Assy	R			.5
	L			.5
R&R Step Rail Kit	R			.5
	L			.5
1 Rail Assy, Step				
Factory Installed				
Extended Cab	R	7L3Z 16450 DA	\$850.18	.5
	L	7L3Z 16451 DA	\$850.18	.5
Crew Cab	R	9L3Z 16450 EA	\$1,175.82	.5
	L	9L3Z 16451 EA	\$1,175.82	.5
2 Pad, Step Rail-Serviced w/Step Rail Assy				
3 Cap, End (2/Side)	R	7C3Z 16A455 AA	\$37.00	
	L	7C3Z 16A455 AA	\$37.00	
4 Bracket, Mounting (2/Side)	R	7L3Z 16A506 A	\$99.05	
	L	7L3Z 16A506 A	\$99.05	
<i>Included w/Step Rail Assy</i>				
5 Bolt, Mounting (a)	R	* N806738 S301	\$7.82	
	L	* N806738 S301	\$7.82	
<i>(a) As Required</i>				
Rail Kit, Step (a) (b)				
Dealer Installed				
Extended Cab		CL3Z 16450 AA	\$607.14	#
Crew Cab		CL3Z 16450 BC	\$678.57	#

(a) Contact Dealer for Price & Availability

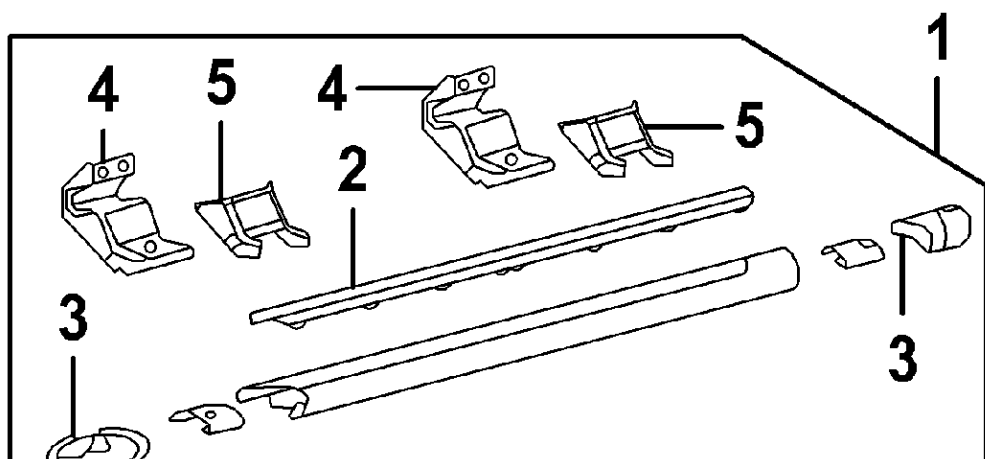
(b) Contains Both Sides

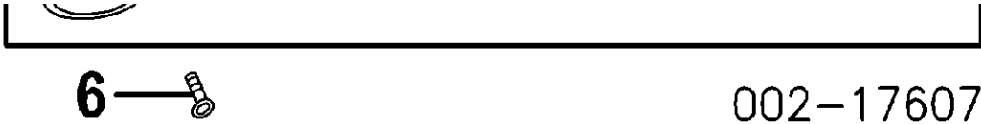
#See Headnotes for Labor Time

EXTERIOR TRIM

EXTERIOR TRIM STEP RAILS

TUBULAR





6

002-17607

Refinish Step Rail Assy	R			1.3
	L			1.3
R&I Step Rail Assy	R			.5
	L			.5
R&R Step Rail Kit	R			.5
	L			.5
1 Rail Assy, Step				
Factory Installed				
Regular Cab				
Black	R	6L3Z 16450 BA	\$396.53	.5
	L	6L3Z 16451 BA	\$497.65	.5
Stainless Steel	R	6L3Z 16450 A	\$439.37	.5
	L	6L3Z 16451 A	\$450.23	.5
Paint to Match	11-14 R	BL3Z 16450 AGPTM	\$693.03	.5
	L	BL3Z 16451 AGPTM	\$693.03	.5
Extended Cab				
Stainless Steel	R	6L3Z 16450 B	\$530.07	.5
	L	6L3Z 16451 B	\$529.95	.5
Paint to Match	R	BL3Z 16450 FAPTM	\$523.02	.5
	L	BL3Z 16451 FAPTM	\$526.17	.5
Crew Cab				
Aluminum	R	6L3Z 16450 C	\$548.93	.5
	L	6L3Z 16451 C	\$547.63	.5
Stainless Steel	R	9L3Z 16450 A	\$681.92	.5
	L	9L3Z 16451 A	\$699.27	.5
Paint to Match	R	BL3Z 16450 AAPT	\$751.83	.5
	L	BL3Z 16451 AAPT	\$751.83	.5
2 Pad, Step Rail				
Regular Cab	R	4L3Z 16490 AA	\$100.30	
	L	4L3Z 16490 AA	\$100.30	
Extended Cab	R	4L3Z 16490 BA	\$115.97	
	L	4L3Z 16490 BA	\$115.97	
Crew Cab	R	9L3Z 16490 A	\$137.58	
	L	9L3Z 16490 A	\$137.58	
3 Cap, End				
Front				
Aluminum	R	4L3Z 16A454 BA	\$25.38	
	L	4L3Z 16A455 BA	\$29.68	
Black	R	4L3Z 16A454 AB	\$31.10	
	L	4L3Z 16A455 AB	\$31.10	
Rear				
Aluminum	R	4L3Z 16A455 BA	\$29.68	
	L	4L3Z 16A454 BA	\$25.38	
Black	R	4L3Z 16A455 AB	\$31.10	
	L	4L3Z 16A454 AB	\$31.10	
4 Bracket, Mounting (2/Side)	R	5L3Z 16A506 A	\$78.57	

5 Cover, Bracket (2/Side)	L	5L3Z 16A506 A	\$78.57	
	R	5L3Z 16N470 A	\$30.07	
	L	5L3Z 16N470 A	\$30.07	
<i>Included w/Step Rail Assy</i>				
6 Bolt, Mounting (12/Side)	R	* N806738 S301	\$7.82	
	L	* N806738 S301	\$7.82	
Rail Kit, Step (a) (b)				
Dealer Installed				
Chrome				
Regular Cab		6L3Z 16450 AB	\$464.29	#
Extended Cab		9L3Z 16450 DB	\$500.00	#
Crew Cab		9L3Z 16450 EB	\$535.71	#
Black				
Regular Cab		6L3Z 16450 AC	\$357.14	#
Extended Cab		9L3Z 16450 FA	\$357.14	#
Crew Cab		9L3Z 16450 GA	\$357.14	#

(a) Contact Dealer for Price & Availability

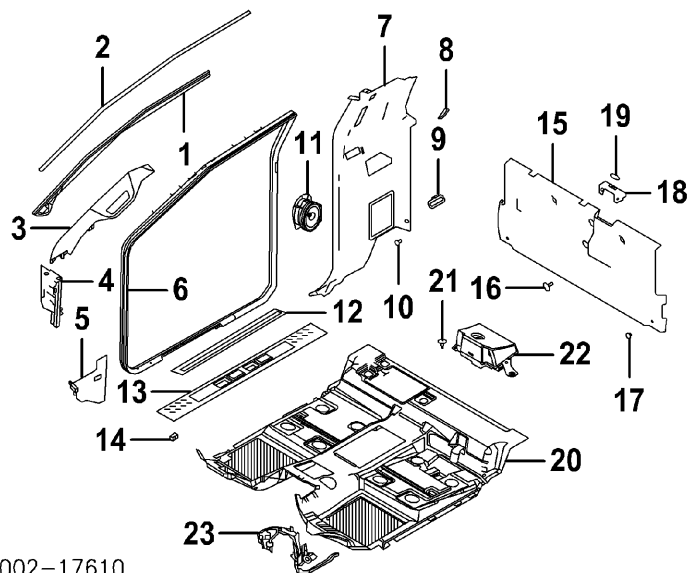
(b) Contains Both Sides

#See Headnotes for Labor Time

INTERIOR TRIM

INTERIOR TRIM REGULAR CAB

2009-10



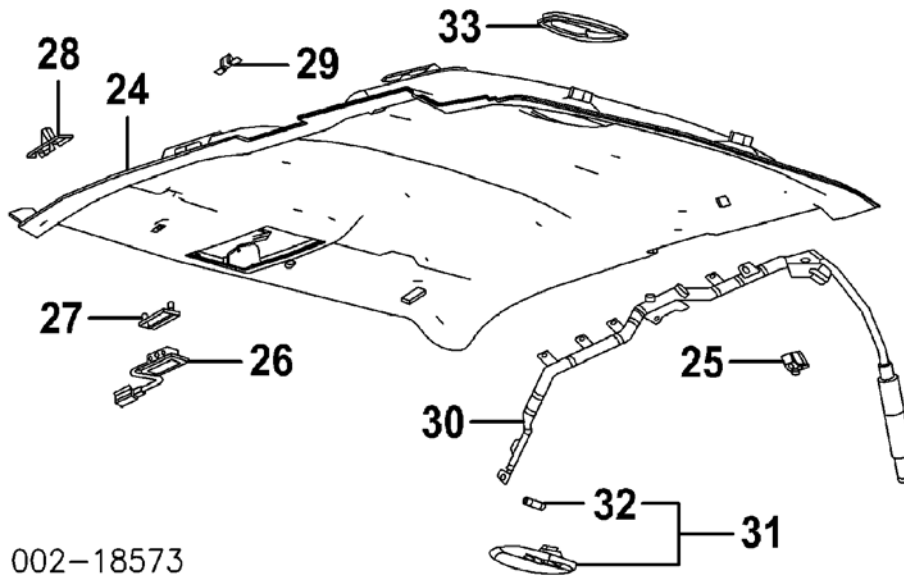
002-17610

R&I Headliner

1 Weatherstrip, Drip Rail (On Body)	R	9L3Z 1551222 A	\$100.23	1.5
	L	9L3Z 1551223 A	\$100.23	.2
2 Retainer, Weatherstrip	R	9L3Z 15253A20 A	\$12.32	.2
	L	9L3Z 15253A21 A	\$12.32	
3 Garnish Assy, Inner Windshield-See Windshield Section				
4 Panel, Cowl Trim				
Black	R	BL3Z 1502344 AC	\$29.10	.2
	L	9L3Z 1502345 CA	\$83.80	.2

Camel, Stone	R	BL3Z 1502344 AD	\$32.02	.2
	L	9L3Z 1502345 DA	\$83.20	.2
5 Cover, Panel				
Black	R	9L3Z 15023A98 CA	\$24.75	
Camel, Stone	R	9L3Z 15023A98 DA	\$24.03	
Clip, Trim (a)				
Type 1	R	* W704021 S424	\$2.00	
	L	* W704021 S424	\$2.00	
Type 2	R	* W701882 S424	\$4.10	
(a) As Required				
6 W/Strip, Front Door Opng (On Body)	R	BL3Z 1520708 A	\$157.92	.4
	L	BL3Z 1520709 A	\$157.92	.4
7 Panel, Pillar Trim				
w/Sony Sound System				
Black	R	9L3Z 15278D12 FA	\$206.93	#.4
	L	9L3Z 15278D13 FA	\$206.93	#.4
Camel, Stone	R	9L3Z 15278D12 HA	\$206.93	#.4
	L	9L3Z 15278D13 HA	\$206.93	#.4
w/o Sony Sound System	R	9L3Z 15278D12 GA	\$192.83	#.4
	L	9L3Z 15278D13 GA	\$192.83	#.4
#Includes R&R Scuff Plate, Included in R&R Back Trim Panel				
8 Cap, Trim Panel				
Black	R	9L3Z 15234B76 FA	\$27.33	
	L	9L3Z 15234B76 FA	\$27.33	
Camel, Stone	R	9L3Z 15234B76 JA	\$15.88	
	L	9L3Z 15234B76 JA	\$15.88	
9 Bezel, Trim Panel				
Black	R	9L3Z 1660220 FA	\$5.72	
	L	9L3Z 1660220 FA	\$5.72	
Camel, Stone	R	9L3Z 1660220 PA	\$15.62	
	L	9L3Z 1660220 PA	\$15.62	
10 Retainer, Panel				
Black	R	* W714076 SS35B	\$1.03	
	L	* W714076 SS35B	\$1.03	
Camel, Stone	R	* W714076 SS37Y	\$1.03	
	L	* W714076 SS37Y	\$1.03	
11 Speaker, Rear				
w/Navigation System	R	CL3Z 18808 C	\$49.90	#.2
	L	CL3Z 18808 C	\$49.90	#.2
w/o Navigation System				
w/Sony Sound System	R	9L3Z 18808 L	\$74.57	#.2
	L	9L3Z 18808 L	\$74.57	#.2
w/o Sony Sound System	R	9L3Z 18808 M	\$30.94	#.2
	L	9L3Z 18808 M	\$30.94	#.2
#w/Pillar Trim Panel Removed				
12 Plate, Sill (Adhesive)	R	9L3Z 1513208 AA	\$42.70	.2
	L	9L3Z 1513209 AA	\$42.70	.2
13 Plate, Scuff				
Black	R	9L3Z 1613208 BA	\$79.98	.2
	L	9L3Z 1613209 BA	\$79.98	.2
Camel, Stone	R	9L3Z 1613208 CA	\$79.98	.2

	L	9L3Z 1613209 CA	\$79.98	.2
14 Retainer, Scuff Plate (2/Side)	R	9L3Z 1513284 A	\$5.22	
	L	9L3Z 1513284 A	\$5.22	
15 Panel, Back Trim				
Black	09	9L3Z 1523706 AA	\$233.12	#1.0
	10	AL3Z 1523706 AA	\$229.45	#1.0
Camel, Stone	09	9L3Z 1523706 AB	\$205.75	#1.0
	10	AL3Z 1523706 AB	\$192.57	#1.0
<i>#Included in R&I/R&R Back Window Glass</i>				
Clip, Panel				
16 Type 1, (3)				
Black		* W713181 SSC	\$1.03	
Camel, Stone		* W713181 SS37Y	\$1.03	
17 Type 2	R	* W706815 SSA	\$1.03	
	L	* W706815 SSA	\$1.03	
18 Bezel, Support				
Black		9L3Z 1660220 CA	\$48.95	
Camel		9L3Z 1660220 BA	\$48.95	
Stone		9L3Z 1660220 AA	\$48.95	
19 Cap, Support				
Black		9L3Z 15601B32 CA	\$16.53	
Camel		9L3Z 15601B32 BA	\$16.28	
Stone		9L3Z 15601B32 AA	\$16.53	
20 Covering, Floor (a)				
Carpet				
w/Sub-Woofer		9L3Z 1513000 LA	\$564.22	
w/o Sub-Woofer		BL3Z 1513000 BA	\$566.80	
Vinyl				
2WD		BL3Z 1513010 AA	\$387.64	
4WD				
w/Elect Transfer Case		BL3Z 1513010 AA	\$387.64	
w/o Elect Transfer Case		BL3Z 1513010 FA	\$381.87	
<i>(a) Order by Application</i>				
21 Clip, Covering (2)		* N804837 S	\$1.12	
22 Sub-Woofer		9L3Z 18C804 A	\$335.61	
23 Harness, Body (a)				
No. 1				
w/Sony Sound System		9L3Z 14A005 CA	\$599.58	
w/o Sony Sound System		9L3Z 14A005 AA	\$351.45	
No. 2				
126" WB		9L3Z 14405 AA	\$163.38	
145" WB		9L3Z 14405 EA	\$172.20	
<i>(a) Order by Application</i>				
Harness, Front Door Wiring				
Dearborn Plant				
Man Windows-See Front Door Section				
Pwr Windows-Serviced w/Body Harness				
Kansas City Plant-Serviced w/Body Harness				
Harness, Rear Lamp-Serviced w/Body Harness				



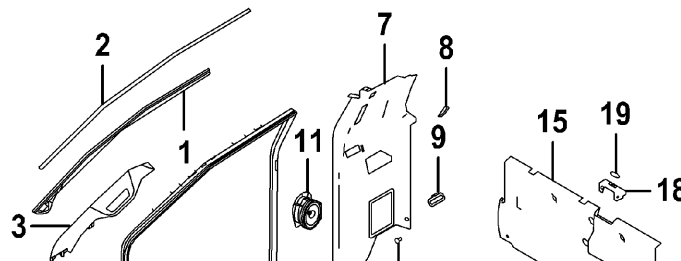
002-18573

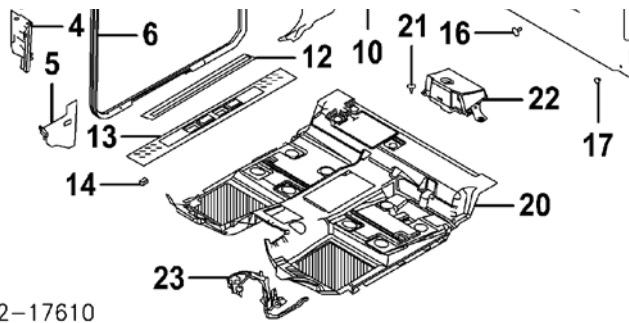
24	Headliner				
	Black, Stone		9L3Z 1551944 AA	\$802.55	1.5
	Camel		9L3Z 1551944 AB	\$837.33	1.5
25	Hook, Coat				
	Black, Stone	R	9L3Z 1829024 AA	\$25.00	.2
		L	9L3Z 1829024 AA	\$25.00	.2
	Camel	R	9L3Z 1829024 AB	\$25.00	.2
		L	9L3Z 1829024 AB	\$25.00	.2
26	Microphone, Hands-Free		AT4Z 19A391 AB	\$33.10	
27	Bracket, Microphone		AT4Z 9904082 B	\$10.38	
28	Bracket, Sun Visor	R	9L3Z 1504082 AA	\$18.62	
		L	9L3Z 1504082 AA	\$18.62	
29	Retainer, Mtg (a)		2L1Z 78311A70 AA	\$12.66	
	(a) As Required				
30	Module, Side Curtain Air Bag-See Air Bag System Section				
31	Lamp Assy, Dome		BL3Z 13776 A	\$31.83	.2
32	Bulb, Dome Lamp		E7RY 13466 D	\$2.46	
	Included w/Dome Lamp Assy				
33	Bracket, Lamp		9L3Z 1851536 A	\$26.95	

INTERIOR TRIM

INTERIOR TRIM REGULAR CAB

2011-14





002-17610

R&I Headliner					1.5	
1 Weatherstrip, Drip Rail (On Body)	R	9L3Z 1551222 A	\$100.23		.2	
	L	9L3Z 1551223 A	\$100.23		.2	
2 Retainer, Weatherstrip	R	9L3Z 15253A20 A	\$12.32			
	L	9L3Z 15253A21 A	\$12.32			
3 Garnish Assy, Inner Windshield-See Windshield Section						
4 Panel, Cowl Trim Adobe	R	BL3Z 1502344 AD	\$32.02		.2	
	L	9L3Z 1502345 DA	\$83.20		.2	
	Black, Steel	R	BL3Z 1502344 AC	\$29.10		.2
		L	9L3Z 1502345 CA	\$83.80		.2
5 Cover, Panel Adobe	R	9L3Z 15023A98 DA	\$24.03			
	Black, Steel	R	9L3Z 15023A98 CA	\$24.75		
		Clip, Trim (a)				
	Type 1	R	* W704021 S424	\$2.00		
L		* W704021 S424	\$2.00			
R		* W701882 S424	\$4.10			
(a) As Required						
6 W/Strip, Front Door Opng (On Body)	R	BL3Z 1520708 A	\$157.92		.4	
	L	BL3Z 1520709 A	\$157.92		.4	
7 Panel, Pillar Trim w/Sony Sound System Adobe	R	9L3Z 15278D12 HA	\$206.93		#.4	
	L	9L3Z 15278D13 HA	\$206.93		#.4	
	Black, Steel	R	9L3Z 15278D12 FA	\$206.93		#.4
		L	9L3Z 15278D13 FA	\$206.93		#.4
	w/o Sony Sound System					
	Adobe	R	9L3Z 15278D12 GA	\$192.83		#.4
		L	9L3Z 15278D13 GA	\$192.83		#.4
	Steel	R	BL3Z 15278D12 AA	\$231.68		#.4
L		BL3Z 15278D13 AA	\$247.88		#.4	
#Includes R&R Scuff Plate, Included in R&R Back Trim Panel						
8 Cap, Trim Panel Adobe	R	9L3Z 15234B76 JA	\$15.88			
	L	9L3Z 15234B76 JA	\$15.88			
	Black, Steel	R	9L3Z 15234B76 FA	\$27.33		
		L	9L3Z 15234B76 FA	\$27.33		
9 Bezel, Trim Panel						

	Adobe	R	9L3Z 1660220 PA	\$15.62	
		L	9L3Z 1660220 PA	\$15.62	
	Black, Steel	R	9L3Z 1660220 FA	\$5.72	
		L	9L3Z 1660220 FA	\$5.72	
10	Retainer, Panel				
	Adobe	R	* W714076 SS37Y	\$1.03	
		L	* W714076 SS37Y	\$1.03	
	Black, Steel	R	* W714076 SS35B	\$1.03	
		L	* W714076 SS35B	\$1.03	
11	Speaker, Rear				
	w/Navigation System	R	CL3Z 18808 C	\$49.90	#.2
		L	CL3Z 18808 C	\$49.90	#.2
	w/o Navigation System				
	w/Sony Sound System	R	9L3Z 18808 L	\$74.57	#.2
		L	9L3Z 18808 L	\$74.57	#.2
	w/o Sony Sound System	R	9L3Z 18808 M	\$30.94	#.2
		L	9L3Z 18808 M	\$30.94	#.2
	#w/Pillar Trim Panel Removed				
12	Plate, Sill (Adhesive)	R	9L3Z 1513208 AA	\$42.70	.2
		L	9L3Z 1513209 AA	\$42.70	.2
13	Plate, Scuff				
	Adobe	R	9L3Z 1613208 CA	\$79.98	.2
		L	9L3Z 1613209 CA	\$79.98	.2
	Black, Steel	R	9L3Z 1613208 BA	\$79.98	.2
		L	9L3Z 1613209 BA	\$79.98	.2
14	Retainer, Scuff Plate (2/Side)	R	9L3Z 1513284 A	\$5.22	
		L	9L3Z 1513284 A	\$5.22	
15	Panel, Back Trim				
	Adobe		BL3Z 1523706 AB	\$203.15	#1.0
	Black, Steel		BL3Z 1523706 AA	\$203.15	#1.0
	#Included in R&I/R&R Back Window Glass				
	Clip, Panel				
16	Type 1, (3)				
	Adobe		* W713181 SS32T	\$1.03	
	Black, Steel		* W713181 SSC	\$1.03	
17	Type 2	R	* W706815 SSA	\$1.03	
		L	* W706815 SSA	\$1.03	
18	Bezel, Support				
	Adobe		BL3Z 1660220 AA	\$27.33	
	Black		9L3Z 1660220 CA	\$48.95	
	Steel		BL3Z 1660220 AB	\$27.33	
19	Cap, Support				
	Adobe		BL3Z 15601B32 AA	\$17.18	
	Black		9L3Z 15601B32 CA	\$16.53	
	Steel		BL3Z 15601B32 AB	\$17.18	
20	Covering, Floor (a)				
	Carpet				
	3.5L Turbo Eng		BL3Z 1513000 MA	\$575.08	
	3.7L, 5.0L Eng		BL3Z 1513000 EB	\$632.55	
	Vinyl				
	3.5L Turbo Eng		BL3Z 1513010 NA	\$401.81	

3.7L, 5.0L Eng		BL3Z 1513010 AA	\$387.64
(a) Order by Application			
21 Clip, Covering (2)		* N804837 S	\$1.12
22 Sub-Woofer	11-12	9L3Z 18C804 A	\$335.61
23 Harness, Body (a)			
No. 1			
w/Sony Sound System		9L3Z 14A005 CA	\$599.58
w/o Sony Sound System		9L3Z 14A005 AA	\$351.45
No. 2			
126" WB		9L3Z 14405 AA	\$163.38
145" WB		9L3Z 14405 EA	\$172.20

(a) Order by Application

Harness, Front Door Wiring

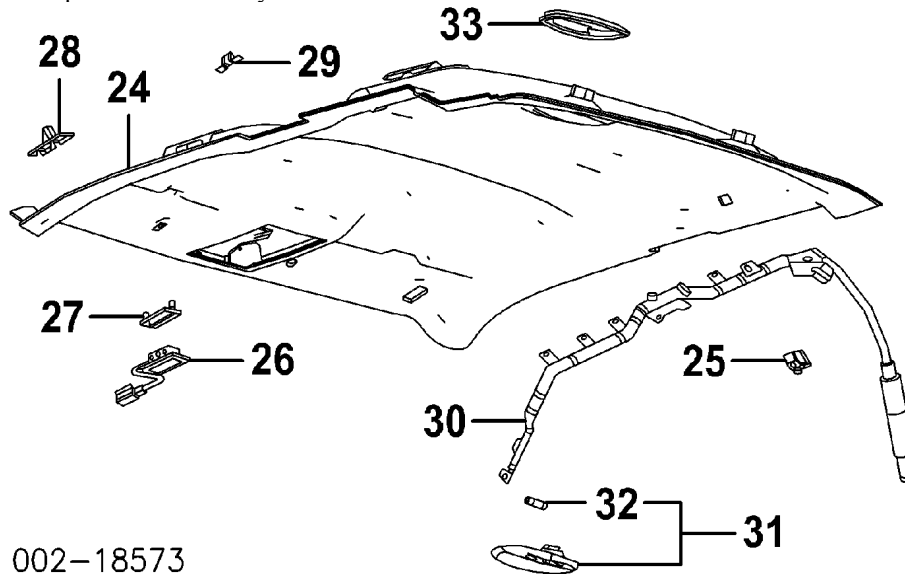
Dearborn Plant

Man Windows-See Front Door Section

Pwr Windows-Serviced w/Body Harness

Kansas City Plant-Serviced w/Body Harness

Harness, Rear Lamp-Serviced w/Body Harness

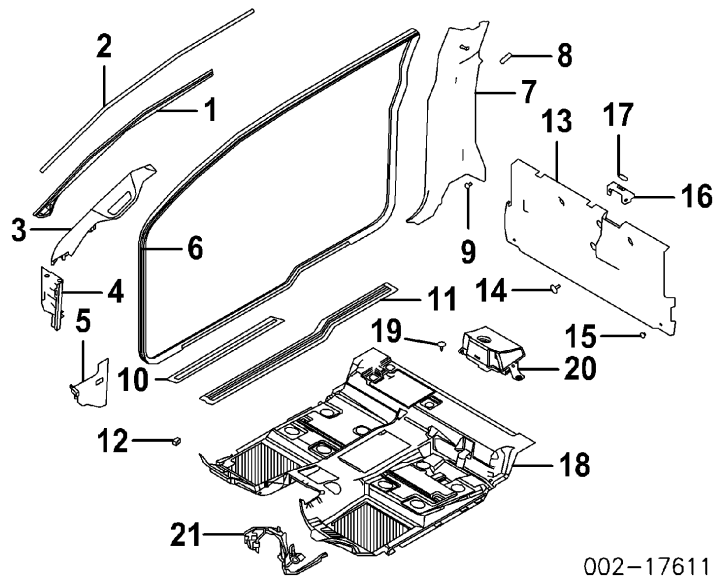


002-18573

24 Headliner			
w/Sync System			
Adobe		BL3Z 1551944 BA	\$931.37 1.5
Steel		BL3Z 1551944 BB	\$534.43 1.5
w/o Sync System			
Adobe		BL3Z 1551944 AA	\$806.80 1.5
Steel		BL3Z 1551944 AB	\$656.63 1.5
25 Hook, Coat			
Adobe	R	BL3Z 1829024 BA	\$30.85
	L	BL3Z 1829024 BA	\$30.85
Steel	R	BL3Z 1829024 BB	\$30.85
	L	BL3Z 1829024 BB	\$30.85
26 Microphone, Hands-Free			
Adobe		AT4Z 19A391 AC	\$33.10

Steel		AT4Z 19A391 AE	\$33.10	
27 Bracket, Microphone		AT4Z 9904082 B	\$10.38	
28 Bracket, Sun Visor	R	9L3Z 1504082 AA	\$18.62	
	L	9L3Z 1504082 AA	\$18.62	
29 Retainer, Mtg (a)		2L1Z 78311A70 AA	\$12.66	
<i>(a) As Required</i>				
30 Module, Side Curtain Air Bag-See Air Bag System Section				
31 Lamp Assy, Dome		BL3Z 13776 A	\$31.83	.2
32 Bulb, Dome Lamp		E7RY 13466 D	\$2.46	
<i>Included w/Dome Lamp Assy</i>				
33 Bracket, Lamp		9L3Z 1851536 A	\$26.95	

INTERIOR TRIM
INTERIOR TRIM EXTENDED
CAB 2009-10



002-17611

R&I Headliner				3.0
R&I Overhead Console				.2
<i>Add to R&I/R&R Headliner w/Overhead Console</i>				.2
1 Weatherstrip, Drip Rail (On Body)	R	9L3Z 1851222 A	\$109.87	.2
	L	9L3Z 1851223 A	\$109.87	.2
2 Retainer, Weatherstrip	R	9L3Z 15253A20 A	\$12.32	
	L	9L3Z 15253A21 A	\$12.32	
3 Garnish Assy, Inner Windshield-See Windshield Section				
4 Panel, Cowl Trim				
Black	R	BL3Z 1502344 AC	\$29.10	.2
	L	9L3Z 1502345 CA	\$83.80	.2
Camel				
XLT, XTR Model	R	BL3Z 1502344 AD	\$32.02	.2
	L	9L3Z 1502345 DA	\$83.20	.2

Lariat Model	R	AL3Z 1502344 AB	\$24.98	.2
	L	9L3Z 1502345 BA	\$83.22	.2
Stone	R	BL3Z 1502344 AD	\$32.02	.2
	L	9L3Z 1502345 DA	\$83.20	.2
5 Cover, Panel				
Black	R	9L3Z 15023A98 CA	\$24.75	
Camel				
XLT, XTR Model	R	9L3Z 15023A98 DA	\$24.03	
Lariat Model	R	9L3Z 15023A98 BA	\$23.95	
Stone	R	9L3Z 15023A98 DA	\$24.03	
Clip, Trim (a)				
Type 1	R	* W704021 S424	\$2.00	
	L	* W704021 S424	\$2.00	
Type 2	R	* W701882 S424	\$4.10	
(a) As Required				
6 W/Strip, Front Door Opng (On Body)	R	BL3Z 1820708 A	\$192.45	.4
	L	BL3Z 1820709 A	\$192.45	.4
7 Panel, Pillar Trim				
Black	R	9L3Z 18278D12 CA	\$130.65	#.4
	L	9L3Z 18278D13 CA	\$130.65	#.4
Camel				
XLT, XTR Model	R	9L3Z 18278D12 DA	\$130.65	#.4
	L	9L3Z 18278D13 DA	\$130.65	#.4
Lariat Model	R	9L3Z 18278D12 BA	\$147.88	#.4
	L	9L3Z 18278D13 BA	\$147.88	#.4
Stone	R	9L3Z 18278D12 DA	\$130.65	#.4
	L	9L3Z 18278D13 DA	\$130.65	#.4
#w/Seat Back Assy Removed, Includes R&R Scuff Plate, Included in R&R Back Trim Panel				
8 Cap, Trim Panel				
Black	R	9L3Z 15234B76 CA	\$6.25	
	L	9L3Z 15234B76 CA	\$6.25	
Camel				
XLT, XTR Model	R	9L3Z 15234B76 GA	\$6.25	
	L	9L3Z 15234B76 GA	\$6.25	
Lariat Model	R	9L3Z 15234B76 BA	\$6.25	
	L	9L3Z 15234B76 BA	\$6.25	
Stone	R	9L3Z 15234B76 GA	\$6.25	
	L	9L3Z 15234B76 GA	\$6.25	
9 Retainer, Panel (a)	R	* W714076 SS35B	\$1.03	
	L	* W714076 SS35B	\$1.03	
(a) Black listed, Order by Application				
10 Plate, Sill (Adhesive)	R	9L3Z 1513208 AA	\$42.70	.2
	L	9L3Z 1513209 AA	\$42.70	.2
11 Plate, Scuff				
Black	R	9L3Z 1813208 AA	\$72.97	.2
	L	9L3Z 1813209 AA	\$77.72	.2
Camel, Stone	R	9L3Z 1813208 BA	\$72.97	.2
	L	9L3Z 1813209 BA	\$77.72	.2
12 Retainer, Scuff Plate (4/Side)	R	9L3Z 1513284 A	\$5.22	
	L	9L3Z 1513284 A	\$5.22	

13	Panel, Back Trim #w/Seat Back Assy Removed, Included in R&I/R&R Back Window Glass Clip, Panel	AL3Z 1823706 AA	\$149.50	#1.0
14	Type 1, (3)	* W713181 SS3JA	\$1.03	
15	Type 2	R * W706815 SSA L * W706815 SSA	\$1.03 \$1.03	
16	Bezel, Support Black Camel Stone	9L3Z 1660220 CA 9L3Z 1660220 BA 9L3Z 1660220 AA	\$48.95 \$48.95 \$48.95	
17	Cap, Support Black Camel Stone	9L3Z 15601B32 CA 9L3Z 15601B32 BA 9L3Z 15601B32 AA	\$16.53 \$16.28 \$16.53	
18	Covering, Floor Carpet (a) w/Console Consolette w/Sub-Woofer w/o Sub-Woofer Full Console w/Sub-Woofer w/o Sub-Woofer Flow Thru Console w/Sub-Woofer w/o Sub-Woofer w/o Console w/Sub-Woofer w/o Sub-Woofer Vinyl w/Console Consolette w/Sub-Woofer w/o Sub-Woofer Full Console w/Sub-Woofer w/o Sub-Woofer w/o Console w/Sub-Woofer w/o Sub-Woofer	9L3Z 1813000 JA BL3Z 1813000 BA BL3Z 1813000 HA BL3Z 1813000 AA BL3Z 1813000 KA BL3Z 1813000 CA BL3Z 1813000 HA BL3Z 1813000 AA 9L3Z 1813010 NA BL3Z 1813010 DA 9L3Z 1813010 MA BL3Z 1813010 EA 9L3Z 1813010 MA BL3Z 1813010 EA	\$547.25 \$620.72 \$605.50 \$622.03 \$605.50 \$583.12 \$605.50 \$622.03 \$373.40 \$422.03 \$373.40 \$423.24 \$373.40 \$423.24	
	(a) Black listed, Order by Application			
19	Clip, Covering (2)	* N804837 S	\$1.12	
20	Sub-Woofer	AL3Z 18C804 A	\$369.27	
21	Harness, Body (a) No. 1 w/Sony Sound System w/o Sony Sound System Man Locks Pwr Locks No. 2	9L3Z 14A005 NA 9L3Z 14A005 PA 9L3Z 14A005 KA	\$909.90 \$485.68 \$783.38	

133" WB
 145" WB
 163" WB

9L3Z 14405 CA
 9L3Z 14405 GA
 9L3Z 14405 PA

\$237.30
 \$237.43
 \$163.38

(a) Order by Application

Harness, Front Door Wiring

Dearborn Plant-See Front Door Section

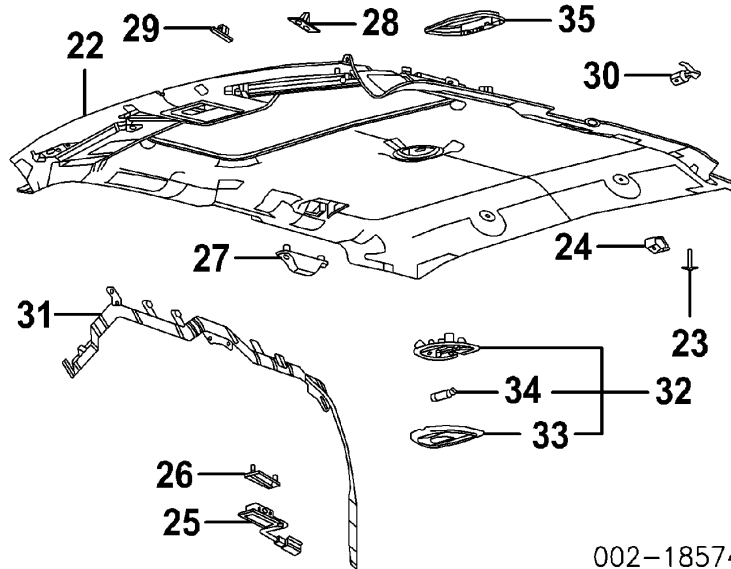
Kansas City Plant-Serviced w/Body Harness

Harness, Rear Door Wiring

Dearborn Plant-See Rear Door Section

Kansas City Plant-Serviced w/Body Harness

Harness, Rear Lamp-Serviced w/Body Harness



002-18574

22 Headliner

w/Sunroof

Black, Stone

Camel

AL3Z 1851944 AA

\$660.85

3.0

AL3Z 1851944 AB

\$833.90

3.0

w/o Sunroof

w/Overhead Console

Black, Stone

Camel

9L3Z 1851944 BA

\$1,020.93

3.0

9L3Z 1851944 BB

\$1,074.77

3.0

w/o Overhead Console

9L3Z 1851944 AA

\$1,080.45

3.0

23 Retainer, Headliner (a)

Black, Stone

Camel

* W710041 SS31B

\$1.03

* W710041 SS34T

\$1.03

(a) As Required

24 Hook, Coat

Black, Stone

R

9L3Z 1829024 AA

\$25.00

.2

L

9L3Z 1829024 AA

\$25.00

.2

Camel

R

9L3Z 1829024 AB

\$25.00

.2

L

9L3Z 1829024 AB

\$25.00

.2

25 Microphone, Hands-Free

AT4Z 19A391 AB

\$33.10

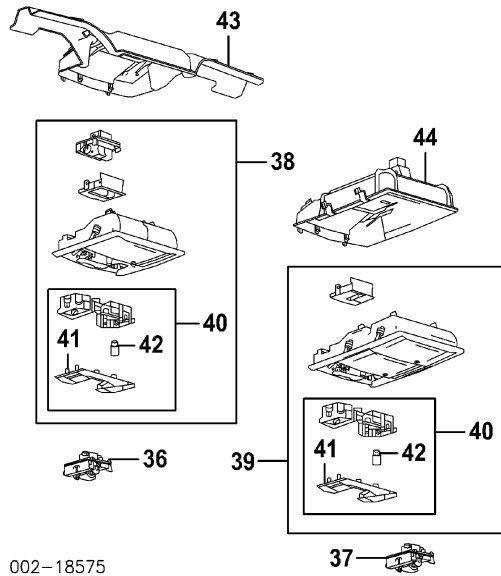
26 Bracket, Microphone

AT4Z 9904082 B

\$10.38

27 Cover, Striker-See Rear Door Section

28 Bracket, Sun Visor	R	9L3Z 1504082 AA	\$18.62	
	L	9L3Z 1504082 AA	\$18.62	
29 Retainer, Mtg (a)		2L1Z 78311A70 AA	\$12.66	
(a) As Required				
30 Bracket, Headliner	R	9L3Z 1629019 A	\$26.17	
	L	9L3Z 1629019 B	\$26.17	
31 Module, Side Curtain Air Bag-See Air Bag System Section				
32 Lamp Assy, Dome		YF1Z 13776 CA	\$41.85	.2
w/Sunroof		BL3Z 13776 A	\$31.83	.2
33 Lens, Dome Lamp		YF1Z 13783 CA	\$11.07	
w/Sunroof				
w/o Sunroof-Serviced w/Dome Lamp Assy				
34 Bulb, Dome Lamp (a)		F58Z 13466 A	\$3.11	
w/Sunroof		E7RY 13466 D	\$2.46	
w/o Sunroof				
(a) As Required				
Included w/Dome Lamp Assy				
35 Bracket, Lamp		9L3Z 1851536 A	\$26.95	
w/o Sunroof				

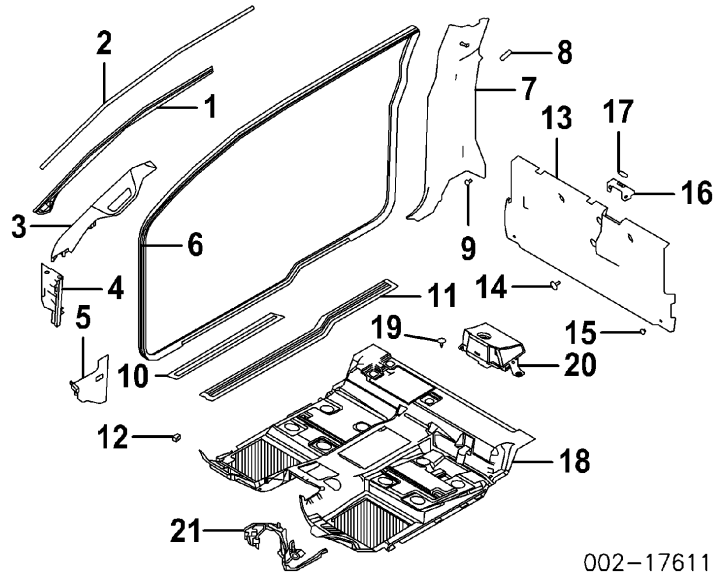


002-18575

36 Switch, Sunroof				
Fixed, Man Rear Window		9L3Z 15B691 BA	\$39.25	
Pwr Rear Window		9L3Z 15B691 DA	\$32.07	
37 Switch, Rear Power Window				
w/o Sunroof		9L3Z 15B691 AA	\$29.38	
Console Assy, Overhead				
38 w/Sunroof				
Fixed, Man Rear Window				
Black		9L3Z 18519A70 CC	\$197.12	.2
Camel		9L3Z 18519A70 CB	\$220.88	.2
Stone		9L3Z 18519A70 CA	\$197.12	.2

	Pwr Rear Window			
	Black	9L3Z 18519A70 DC	\$215.67	.2
	Camel	9L3Z 18519A70 DB	\$215.75	.2
	Stone	9L3Z 18519A70 DA	\$181.82	.2
39	w/o Sunroof			
	Fixed, Man Rear Window			
	Black	9L3Z 18519A70 AC	\$192.95	.2
	Camel	9L3Z 18519A70 AB	\$192.95	.2
	Stone	9L3Z 18519A70 AA	\$193.05	.2
	Pwr Rear Window			
	Black	9L3Z 18519A70 BC	\$228.45	.2
	Camel	9L3Z 18519A70 BB	\$228.45	.2
	Stone	9L3Z 18519A70 BA	\$228.45	.2
40	Lamp Assy, Map (b)	7L1Z 13776 EA	\$47.92	.2
41	Lens, Map Lamp (b) (c)	7L1Z 13783 DA	\$20.17	
42	Bulb, Map Lamp (2) (a) (b) (c)	C2AZ 13466 C	\$0.94	
	(a) As Required			
	(c) Included w/Map Lamp Assy			
	(b) Included w/Overhead Console Assy			
	Bracket, Overhead Console			
43	w/Sunroof	9L3Z 78519K22 AA	\$80.32	
44	w/o Sunroof	9L3Z 78519K22 BA	\$94.77	

INTERIOR TRIM INTERIOR TRIM EXTENDED CAB 2011-14



002-17611

	R&I Headliner			3.0
	R&I Overhead Console			.4
	Add to R&I/R&R Headliner			
	w/Overhead Console			.4
1	Weatherstrip, Drip Rail (On Body)	R 9L3Z 1851222 A	\$109.87	.2
		L 9L3Z 1851223 A	\$109.87	.2
2	Retainer, Weatherstrip	R 9L3Z 15253A20 A	\$12.32	

3 Garnish Assy, Inner Windshield-See Windshield Section	L	9L3Z 15253A21 A	\$12.32	
4 Panel, Cowl Trim				
Adobe	R	BL3Z 1502344 AD	\$32.02	.2
	L	9L3Z 1502345 DA	\$83.20	.2
Black, Steel	R	BL3Z 1502344 AC	\$29.10	.2
	L	9L3Z 1502345 CA	\$83.80	.2
5 Cover, Panel				
Adobe	R	9L3Z 15023A98 DA	\$24.03	
Black, Steel	R	9L3Z 15023A98 CA	\$24.75	
Clip, Trim (a)				
Type 1	R	* W704021 S424	\$2.00	
	L	* W704021 S424	\$2.00	
Type 2	R	* W701882 S424	\$4.10	
(a) As Required				
6 W/Strip, Front Door Opng (On Body)	R	BL3Z 1820708 A	\$192.45	.4
	L	BL3Z 1820709 A	\$192.45	.4
7 Panel, Pillar Trim				
Adobe	R	9L3Z 18278D12 DA	\$130.65	#.4
	L	9L3Z 18278D13 DA	\$130.65	#.4
Black, Steel	R	9L3Z 18278D12 CA	\$130.65	#.4
	L	9L3Z 18278D13 CA	\$130.65	#.4
#w/Seat Back Assy Removed, Includes R&R Scuff Plate, Included in R&R Back Trim Panel				
8 Cap, Trim Panel				
Adobe	R	9L3Z 15234B76 GA	\$6.25	
	L	9L3Z 15234B76 GA	\$6.25	
Black, Steel	R	9L3Z 15234B76 CA	\$6.25	
	L	9L3Z 15234B76 CA	\$6.25	
9 Retainer, Panel				
Adobe	R	* W714076 SS37Y	\$1.03	
	L	* W714076 SS37Y	\$1.03	
Black, Steel	R	* W714076 SS35B	\$1.03	
	L	* W714076 SS35B	\$1.03	
10 Plate, Sill (Adhesive)	R	9L3Z 1513208 AA	\$42.70	.2
	L	9L3Z 1513209 AA	\$42.70	.2
11 Plate, Scuff				
Adobe	R	BL3Z 1813208 AA	\$84.40	.2
	L	BL3Z 1813209 AA	\$84.40	.2
Black, Steel	R	9L3Z 1813208 AA	\$72.97	.2
	L	9L3Z 1813209 AA	\$77.72	.2
12 Retainer, Scuff Plate (4/Side)	R	9L3Z 1513284 A	\$5.22	
	L	9L3Z 1513284 A	\$5.22	
13 Panel, Back Trim		AL3Z 1823706 AA	\$149.50	#1.0
#w/Seat Back Assy Removed, Included in R&I/R&R Back Window Glass				
Clip, Panel				
14 Type 1, (3)		* W713181 SS3JA	\$1.03	
15 Type 2	R	* W706815 SSA	\$1.03	
	L	* W706815 SSA	\$1.03	
16 Bezel, Support				

Adobe		BL3Z 1660220 AA	\$27.33
Black		9L3Z 1660220 CA	\$48.95
Steel		BL3Z 1660220 AB	\$27.33
17 Cap, Support			
Adobe		BL3Z 15601B32 AA	\$17.18
Black		9L3Z 15601B32 CA	\$16.53
Steel		BL3Z 15601B32 AB	\$17.18
18 Covering, Floor (a)			
Carpet			
w/Console			
Consolette			
w/Sub-Woofer		BL3Z 1813000 JA	\$719.22
w/o Sub-Woofer		BL3Z 1813000 BA	\$620.72
Full Console			
w/Sub-Woofer			
3.5L Turbo Eng		BL3Z 1813000 UA	\$750.48
3.7L, 5.0L Eng		BL3Z 1813000 HA	\$605.50
w/o Sub-Woofer			
3.5L Turbo Eng		BL3Z 1813000 RA	\$660.42
3.7L, 5.0L Eng		BL3Z 1813000 AA	\$622.03
Flow Thru Console			
w/Sub-Woofer			
3.5L Turbo Eng	11-12	BL3Z 1813000 XA	\$660.42
	13-14	DL3Z 1813000 XA	\$658.47
3.7L, 5.0L Eng		BL3Z 1813000 KA	\$605.50
w/o Sub-Woofer			
3.5L Turbo Eng		BL3Z 1813000 TA	\$660.42
3.7L, 5.0L Eng		BL3Z 1813000 CA	\$583.12
w/o Console			
w/Sub-Woofer			
3.5L Turbo Eng		BL3Z 1813000 UA	\$750.48
3.7L, 5.0L Eng		BL3Z 1813000 HA	\$605.50
w/o Sub-Woofer			
3.5L Turbo Eng		BL3Z 1813000 RA	\$660.42
3.7L, 5.0L Eng		BL3Z 1813000 AA	\$622.03
Vinyl			
3.5L Turbo Eng		BL3Z 1813010 AA	\$433.79
3.7L, 5.0L Eng			
w/Console			
Consolette		BL3Z 1813010 DA	\$422.03
Full Console		BL3Z 1813010 EA	\$423.24
w/o Console			
w/Sub-Woofer		BL3Z 1813010 MA	\$396.76
w/o Sub-Woofer		BL3Z 1813010 EA	\$423.24
(a) Order by Application			
19 Clip, Covering (2)		* N804837 S	\$1.12
20 Sub-Woofer		BL3Z 18808 B	\$271.43
21 Harness, Body (a)			
No. 1			
w/Sony Sound System		9L3Z 14A005 NA	\$909.90
w/o Sony Sound System			

Man Locks	9L3Z 14A005 PA	\$485.68
Pwr Locks	9L3Z 14A005 KA	\$783.38
No. 2		
145" WB	9L3Z 14405 GA	\$237.43
163" WB	9L3Z 14405 PA	\$163.38

(a) Order by Application

Harness, Front Door Wiring

Dearborn Plant-See Front Door Section

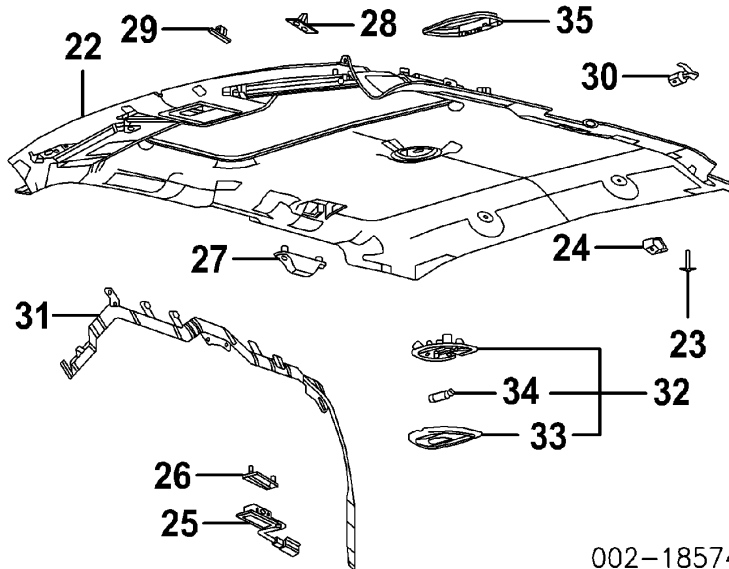
Kansas City Plant-Serviced w/Body Harness

Harness, Rear Door Wiring

Dearborn Plant-See Rear Door Section

Kansas City Plant-Serviced w/Body Harness

Harness, Rear Lamp-Serviced w/Body Harness



002-18574

22 Headliner

w/Sunroof

w/Sync System

Adobe

BL3Z 1851944 FA

\$1,082.95

3.0

Black

BL3Z 1851944 FC

\$741.55

3.0

Steel

BL3Z 1851944 FB

\$706.22

3.0

w/o Sync System

Adobe

BL3Z 1851944 CA

\$1,235.47

3.0

Black, Steel

BL3Z 1851944 CB

\$1,235.47

3.0

w/o Sunroof

w/Overhead Console

w/Sync System

Adobe

BL3Z 1851944 EA

\$830.15

3.0

Black

BL3Z 1851944 EC

\$830.15

3.0

Steel

BL3Z 1851944 EB

\$830.15

3.0

w/o Sync System

Adobe

BL3Z 1851944 BA

\$731.40

3.0

Black, Steel

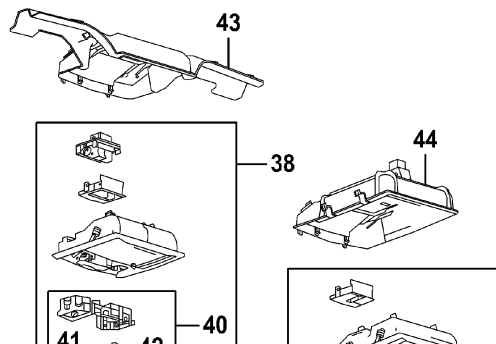
BL3Z 1851944 BB

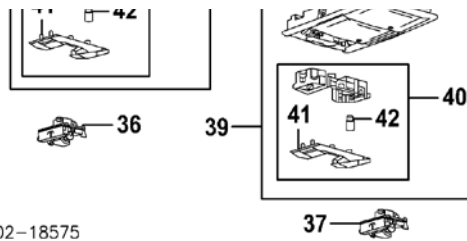
\$859.73

3.0

w/o Overhead Console

	w/Sync System		BL3Z 1851944 DA	\$830.15	3.0
	w/o Sync System		BL3Z 1851944 AA	\$710.23	3.0
23	Retainer, Headliner (a)				
	Adobe		* W710041 SS3AT	\$1.03	
	Black		* W710041 SS35B	\$1.03	
	Steel		* W710041 SS39M	\$1.03	
	(a) As Required				
24	Hook, Coat				
	Adobe	R	BL3Z 1829024 BA	\$30.85	
		L	BL3Z 1829024 BA	\$30.85	
	Black	R	9L3Z 1829024 AC	\$25.00	
		L	9L3Z 1829024 AC	\$25.00	
	Steel	R	BL3Z 1829024 BB	\$30.85	
		L	BL3Z 1829024 BB	\$30.85	
	Order by Application				
25	Microphone, Hands-Free				
	Adobe		AT4Z 19A391 AC	\$33.10	
	Steel		AT4Z 19A391 AE	\$33.10	
26	Bracket, Microphone		AT4Z 9904082 B	\$10.38	
27	Cover, Striker-See Rear Door Section				
28	Bracket, Sun Visor	R	9L3Z 1504082 AA	\$18.62	
		L	9L3Z 1504082 AA	\$18.62	
29	Retainer, Mtg (a)		2L1Z 78311A70 AA	\$12.66	
	(a) As Required				
30	Bracket, Headliner	R	9L3Z 1629019 A	\$26.17	
		L	9L3Z 1629019 B	\$26.17	
31	Module, Side Curtain Air Bag-See Air Bag System Section				
32	Lamp Assy, Dome				
	w/Sunroof		YF1Z 13776 CA	\$41.85	.2
	w/o Sunroof		BL3Z 13776 A	\$31.83	.2
33	Lens, Dome Lamp (b)				
	w/Sunroof		YF1Z 13783 CA	\$11.07	
	w/o Sunroof-Serviced w/Dome Lamp Assy				
34	Bulb, Dome Lamp (a) (b)				
	w/Sunroof		F58Z 13466 A	\$3.11	
	w/o Sunroof		E7RY 13466 D	\$2.46	
	(a) As Required				
	(b) Included w/Dome Lamp Assy				
35	Bracket, Lamp				
	w/o Sunroof		9L3Z 1851536 A	\$26.95	

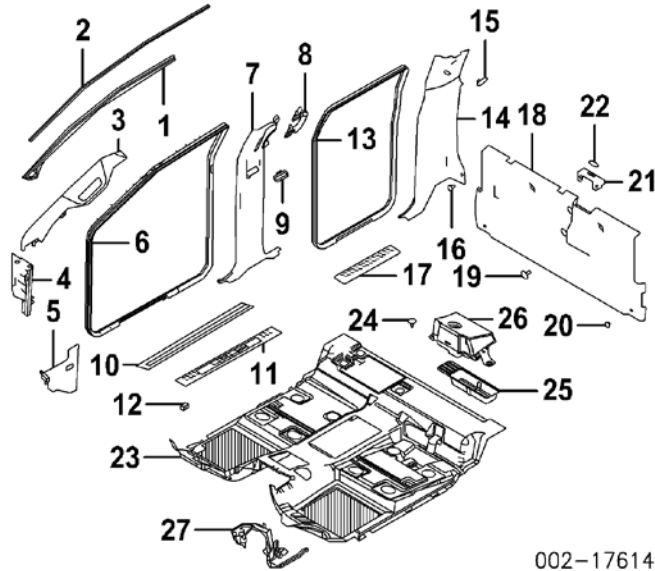




002-18575

36	Switch, Sunroof			
	Fixed, Man Rear Window	9L3Z 15B691 BA	\$39.25	
	Pwr Rear Window	9L3Z 15B691 DA	\$32.07	
37	Switch, Rear Power Window			
	w/o Sunroof	9L3Z 15B691 AA	\$29.38	
38	Console Assy, Overhead			
	w/Sunroof			
	Fixed, Man Rear Window			
	Adobe	BL3Z 18519A70 CA	\$218.22	.4
	Black			
	w/Chrome Pkg	BL3Z 18519A70 CB	\$150.08	.4
	w/o Chrome Pkg	9L3Z 18519A70 CC	\$197.12	.4
	Steel	BL3Z 18519A70 CB	\$150.08	.4
	Pwr Rear Window			
	Adobe	BL3Z 18519A70 DA	\$185.60	.4
	Black			
	w/Chrome Pkg	BL3Z 18519A70 DB	\$185.60	.4
	w/o Chrome Pkg	BL3Z 18519A70 DC		.4
	Steel	BL3Z 18519A70 DB	\$185.60	.4
39	w/o Sunroof			
	Fixed, Man Rear Window			
	Adobe	BL3Z 18519A70 AA	\$172.25	.4
	Black			
	w/Chrome Pkg	BL3Z 18519A70 AB	\$172.25	.4
	w/o Chrome Pkg	9L3Z 18519A70 AC	\$192.95	.4
	Steel	BL3Z 18519A70 AB	\$172.25	.4
	Pwr Rear Window			
	Adobe	BL3Z 18519A70 BA	\$225.58	.4
	Black			
	w/Chrome Pkg	BL3Z 18519A70 BB	\$206.60	.4
	w/o Chrome Pkg	9L3Z 18519A70 BC	\$228.45	.4
	Steel	BL3Z 18519A70 BB	\$206.60	.4
40	Lamp Assy, Map (c)	7L1Z 13776 EA	\$47.92	.2
41	Lens, Map Lamp (c) (d)	7L1Z 13783 DA	\$20.17	
42	Bulb, Map Lamp (a) (c) (d)	C2AZ 13466 C	\$0.94	
	(a) As Required			
	(d) Included w/Map Lamp Assy			
	(c) Included w/Overhead Console Assy			
	Bracket, Overhead Console			
43	w/Sunroof	9L3Z 78519K22 AA	\$80.32	
44	w/o Sunroof	9L3Z 78519K22 BA	\$94.77	

INTERIOR TRIM INTERIOR TRIM CREW CAB



002-17614

R&I Headliner

R&I Overhead Console

#Included in R&I/R&R Headliner

3.0

#.2

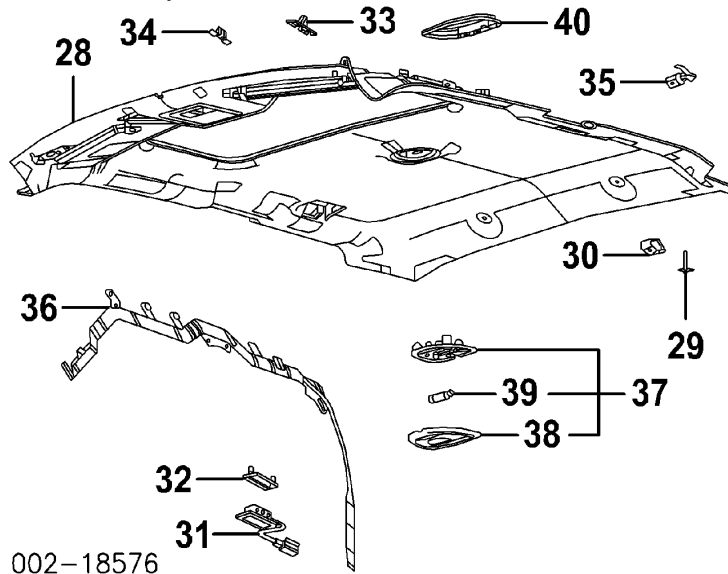
1 Weatherstrip, Drip Rail (On Body)	R	AL3Z 1651222 A	\$121.55	.2
	L	AL3Z 1651223 A	\$125.38	.2
2 Retainer, Weatherstrip	R	9L3Z 16253A20 A	\$17.12	
	L	9L3Z 16253A21 A	\$17.12	
3 Garnish Assy, Inner Windshield-See Windshield Section				
4 Panel, Cowl Trim				
Black	R	BL3Z 1502344 AC	\$29.10	.2
	L	9L3Z 1502345 CA	\$83.80	.2
Camel				
XLT, XTR Model	R	BL3Z 1502344 AD	\$32.02	.2
	L	9L3Z 1502345 DA	\$83.20	.2
Lariat, King Ranch Model	R	AL3Z 1502344 AB	\$24.98	.2
	L	9L3Z 1502345 BA	\$83.22	.2
Stone				
XL, XLT, XTR Model	R	BL3Z 1502344 AD	\$32.02	.2
	L	9L3Z 1502345 DA	\$83.20	.2
Platinum Model	R	AL3Z 1502344 AA	\$17.18	.2
	L	9L3Z 1502345 AA	\$83.33	.2
5 Cover, Panel				
Black	R	9L3Z 15023A98 CA	\$24.75	
Camel				
XLT, XTR Model	R	9L3Z 15023A98 DA	\$24.03	
Lariat, King Ranch Model	R	9L3Z 15023A98 BA	\$23.95	
Stone				
XL, XLT, XTR Model	R	9L3Z 15023A98 DA	\$24.03	
Platinum Model	R	9L3Z 15023A98 AA	\$24.33	

Clip, Trim (a)					
Type 1	R	* W704021 S424	\$2.00		
	L	* W704021 S424	\$2.00		
Type 2	R	* W701882 S424	\$4.10		
(a) As Required					
6 W/Strip, Front Door Opng (On Body)	R	BL3Z 1520708 A	\$157.92	.4	
	L	BL3Z 1520709 A	\$157.92	.4	
7 Panel, Center Pillar Trim					
Black	R	9L3Z 1624346 CA	\$151.27	#.5	
	L	9L3Z 1624347 CA	\$151.27	#.5	
Camel					
XLT, XTR Model	R	9L3Z 1624346 DA	\$151.27	#.5	
	L	9L3Z 1624347 DA	\$151.27	#.5	
Lariat, King Ranch Model	R	9L3Z 1624346 BA	\$151.27	#.5	
	L	9L3Z 1624347 BA	\$151.27	#.5	
Stone					
XL, XLT, XTR Model	R	9L3Z 1624346 DA	\$151.27	#.5	
	L	9L3Z 1624347 DA	\$151.27	#.5	
Platinum Model	R	9L3Z 1624346 AA	\$151.67	#.5	
	L	9L3Z 1624347 AA	\$151.67	#.5	
#Includes R&R Front & Rear Scuff Plates					
8 Handle, Assist					
Black	R	9L3Z 1631406 CA	\$83.80	#.2	
	L	9L3Z 1631407 CA	\$83.80	#.2	
Camel					
XLT, XTR Model	R	9L3Z 1631406 DA	\$83.80	#.2	
	L	9L3Z 1631407 DA	\$83.80	#.2	
Lariat, King Ranch Model	R	9L3Z 1631406 BA	\$83.82	#.2	
	L	9L3Z 1631407 BA	\$83.80	#.2	
Stone					
XL, XLT, XTR Model	R	9L3Z 1631406 DA	\$83.80	#.2	
	L	9L3Z 1631407 DA	\$83.80	#.2	
Platinum Model	R	9L3Z 1631406 AA	\$83.82	#.2	
	L	9L3Z 1631407 AA	\$83.82	#.2	
#Included in R&R Center Pillar Trim					
9 Bezel, Trim Panel					
Black	R	9L3Z 1660220 FA	\$5.72		
	L	9L3Z 1660220 FA	\$5.72		
Camel					
XLT, XTR Model	R	9L3Z 1660220 PA	\$15.62		
	L	9L3Z 1660220 PA	\$15.62		
Lariat, King Ranch Model	R	9L3Z 1660220 EA	\$5.72		
	L	9L3Z 1660220 EA	\$5.72		
Stone					
XL, XLT, XTR Model	R	9L3Z 1660220 PA	\$15.62		
	L	9L3Z 1660220 PA	\$15.62		
Platinum Model	R	9L3Z 1660220 DA	\$5.52		
	L	9L3Z 1660220 DA	\$5.52		
10 Plate, Sill (Adhesive)	R	9L3Z 1513208 AA	\$42.70		
	L	9L3Z 1513209 AA	\$42.70		
11 Plate, Front Scuff					

Black				
FX2, FX4, Lariat Model	R	9L3Z 1613208 BA	\$79.98	.2
	L	9L3Z 1613209 BA	\$79.98	.2
Platinum Model	R	9L3Z 1613208 EA	\$102.97	.2
	L	9L3Z 1613209 EA	\$102.97	.2
Harley-Davidson Model	R	AL3Z 1613208 CA	\$106.23	.2
	L	AL3Z 1613209 CA	\$106.00	.2
Camel				
XLT, XTR, Lariat Model	R	9L3Z 1613208 CA	\$79.98	.2
	L	9L3Z 1613209 CA	\$79.98	.2
King Ranch Model	R	9L3Z 1613208 AA	\$79.98	.2
	L	9L3Z 1613209 AA	\$79.98	.2
Stone				
XL, XLT, XTR Model	R	9L3Z 1613208 CA	\$79.98	.2
	L	9L3Z 1613209 CA	\$79.98	.2
Platinum Model	R	9L3Z 1613208 DA	\$103.27	.2
	L	9L3Z 1613209 DA	\$103.27	.2
12 Retainer, Scuff Plate (4/Side)	R	9L3Z 1513284 A	\$5.22	
	L	9L3Z 1513284 A	\$5.22	
13 W/Strip, Rear Door Opng (On Body)	R	BL3Z 16253A10 A	\$148.23	.4
	L	BL3Z 16253A11 A	\$148.23	.4
14 Panel, Rear Pillar Trim				
Black	R	9L3Z 16278D12 CA	\$136.10	#.4
	L	9L3Z 16278D13 CA	\$122.02	#.4
Camel				
XLT, XTR Model	R	9L3Z 16278D12 DA	\$136.48	#.4
	L	9L3Z 16278D13 DA	\$122.02	#.4
Lariat, King Ranch Model	R	9L3Z 16278D12 BA	\$136.10	#.4
	L	9L3Z 16278D13 BA	\$122.02	#.4
Stone				
XL, XLT, XTR Model	R	9L3Z 16278D12 DA	\$136.48	#.4
	L	9L3Z 16278D13 DA	\$122.02	#.4
Platinum Model	R	9L3Z 16278D12 AA	\$136.10	#.4
	L	9L3Z 16278D13 AA	\$122.02	#.4
#Includes R&R Rear Scuff Plate, Included in R&R Back Trim Panel				
15 Cap, Trim Panel				
Black	R	9L3Z 15234B76 CA	\$6.25	
	L	9L3Z 15234B76 CA	\$6.25	
Camel				
XLT, XTR Model	R	9L3Z 15234B76 GA	\$6.25	
	L	9L3Z 15234B76 GA	\$6.25	
Lariat, King Ranch Model	R	9L3Z 15234B76 BA	\$6.25	
	L	9L3Z 15234B76 BA	\$6.25	
Stone				
XL, XLT, XTR Model	R	9L3Z 15234B76 GA	\$6.25	
	L	9L3Z 15234B76 GA	\$6.25	
Platinum Model	R	9L3Z 15234B76 AA	\$6.25	
	L	9L3Z 15234B76 AA	\$6.25	
16 Retainer, Panel	R	* W714076 SS35B	\$1.03	
	L	* W714076 SS35B	\$1.03	

<i>Black listed, Order by Application</i>				
17	Plate, Rear Scuff			
	Black	R	9L3Z 1613228 CA	\$35.02 .2
		L	9L3Z 1613229 CA	\$34.48 .2
	Camel			
	XL, XTR, Lariat Model	R	9L3Z 1613228 DA	\$34.48 .2
		L	9L3Z 1613229 DA	\$35.02 .2
	King Ranch Model	R	9L3Z 1613228 BA	\$34.50 .2
		L	9L3Z 1613229 BA	\$34.48 .2
	Stone			
	XL, XLT, XTR Model	R	9L3Z 1613228 DA	\$34.48 .2
		L	9L3Z 1613229 DA	\$35.02 .2
	Platinum Model	R	9L3Z 1613228 AA	\$34.48 .2
		L	9L3Z 1613229 AA	\$34.48 .2
18	Panel, Back Trim		AL3Z 1823706 AA	\$149.50 #1.0
	<i>#Included in R&I/R&R Back Window Glass</i>			
	Clip, Panel			
19	Type 1, (3)		* W713181 SS3JA	\$1.03
20	Type 2	R	* W706815 SS35B	\$1.03
		L	* W706815 SS35B	\$1.03
<i>Black listed, Order by Application</i>				
21	Bezel, Support			
	Black		9L3Z 1660220 CA	\$48.95
	Camel		9L3Z 1660220 BA	\$48.95
	Stone		9L3Z 1660220 AA	\$48.95
22	Cap, Support			
	Black		9L3Z 15601B32 CA	\$16.53
	Camel		9L3Z 15601B32 BA	\$16.28
	Stone		9L3Z 15601B32 AA	\$16.53
23	Covering, Floor (b)			
	Carpet		BL3Z 1613000 BA	\$661.00
	Vinyl		BL3Z 1613010 JA	\$664.50
<i>(b) Order by Application</i>				
24	Clip, Covering			
	Type 1, (2)		* N804837 S	\$1.12
	Type 2, (3)		* W713181 SS3ZH	\$1.03
<i>Black listed, Order by Application</i>				
25	Cover, Jack		9L3Z 1645626 BA	\$75.35
26	Sub-Woofer		AL3Z 18C804 B	\$410.31
27	Harness, Body (b)			
	No. 1			
	w/Sony Sound System		9L3Z 14A005 FAA	\$743.53
	w/o Sony Sound System			
	w/Memory		9L3Z 14A005 GAA	\$730.12
	w/o Memory		9L3Z 14A005 EAA	\$687.75
	No. 2			
	145" WB		9L3Z 14405 KA	\$221.65
	157" WB		9L3Z 14405 MA	\$250.83
<i>(b) Order by Application</i>				
	Harness, Front Door Wiring			
	Dearborn Plant-See Front Door Section			
	Kansas City Plant-Serviced w/Body Harness			

Harness, Rear Door Wiring
 Dearborn Plant-See Rear Door Section
 Kansas City Plant-Serviced w/Body Harness
 Harness, Rear Lamp-Serviced w/Body Harness



28 Headliner

w/Sunroof
 Black

FX4, Lariat Model
 FX2, Harley-Davidson Model
 Platinum Model
 Camel
 Stone

AL3Z 1651944 AA	\$669.17	3.0
AL3Z 1651944 AA	\$669.17	3.0
9L3Z 1651944 BB	\$993.03	3.0
AL3Z 1651944 AB	\$922.08	3.0
AL3Z 1651944 AA	\$669.17	3.0

w/o Sunroof
 Black

FX4, Lariat Model
 FX2, Harley-Davidson Model
 Platinum Model
 Camel
 Stone

9L3Z 1651944 AA	\$879.60	3.0
9L3Z 1651944 AA	\$879.60	3.0
9L3Z 1651944 AC	\$1,045.87	3.0
9L3Z 1651944 AB	\$938.82	3.0
9L3Z 1651944 AA	\$879.60	3.0

29 Retainer, Headliner (a)

Black

FX4, Lariat Model
 FX2, Harley-Davidson Model
 Platinum Model
 Camel
 Stone

* W710041 SS31B	\$1.03
* W710041 SS31B	\$1.03
* W710041 SS35B	\$1.03
* W710041 SS34T	\$1.03
* W710041 SS31B	\$1.03

(a) As Required

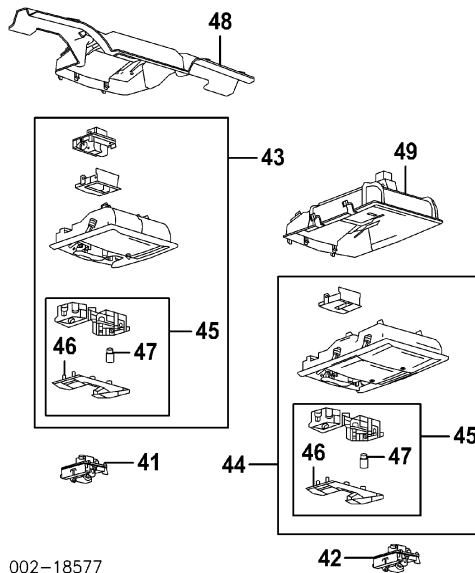
30 Hook, Coat

Black

FX4, Lariat Model
 FX2, Harley-Davidson Model

R	9L3Z 1829024 AA	\$25.00	.2
L	9L3Z 1829024 AA	\$25.00	.2
R	9L3Z 1829024 AA	\$25.00	.2

Platinum Model	L	9L3Z 1829024 AA	\$25.00	.2
	R	9L3Z 1829024 AC	\$25.00	.2
	L	9L3Z 1829024 AC	\$25.00	.2
Camel	R	9L3Z 1829024 AB	\$25.00	.2
	L	9L3Z 1829024 AB	\$25.00	.2
Stone	R	9L3Z 1829024 AA	\$25.00	.2
	L	9L3Z 1829024 AA	\$25.00	.2
31 Microphone, Hands-Free		AT4Z 19A391 AB	\$33.10	
32 Bracket, Microphone		AT4Z 9904082 B	\$10.38	
33 Bracket, Sun Visor	R	9L3Z 1504082 AA	\$18.62	
	L	9L3Z 1504082 AA	\$18.62	
34 Retainer, Mtg (a)		2L1Z 78311A70 AA	\$12.66	
(a) As Required				
35 Bracket, Headliner	R	9L3Z 1629019 A	\$26.17	
	L	9L3Z 1629019 B	\$26.17	
36 Module, Side Curtain Air Bag-See Air Bag System Section				
37 Lamp Assy, Dome w/Sunroof		YF1Z 13776 CA	\$41.85	.2
w/o Sunroof		YF1Z 13776 AA	\$50.67	.2
38 Lens, Dome Lamp (c) w/Sunroof		YF1Z 13783 CA	\$11.07	
w/o Sunroof		YF1Z 13783 AA	\$14.45	
39 Bulb, Dome Lamp (a) (c)		F58Z 13466 A	\$3.11	
(a) As Required				
(c) Included w/Dome Lamp Assy				
40 Bracket, Lamp w/o Sunroof		9L3Z 1851536 A	\$26.95	

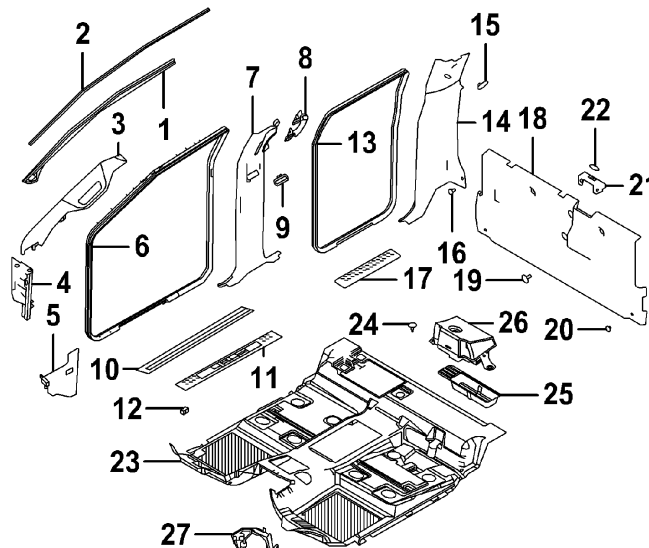


002-18577

41 Switch, Sunroof Fixed, Man Rear Window		9L3Z 15B691 BA	\$39.25	
Pwr Rear Window		9L3Z 15B691 DA	\$32.07	
42 Switch, Rear Power Window				

	w/o Sunroof	9L3Z 15B691 AA	\$29.38	
	Console Assy, Overhead			
43	w/Sunroof			
	Fixed, Man Rear Window			
	Black	9L3Z 18519A70 CC	\$197.12	#.2
	Camel	9L3Z 18519A70 CB	\$220.88	#.2
	Stone	9L3Z 18519A70 CA	\$197.12	#.2
	Pwr Rear Window			
	Black	9L3Z 18519A70 DC	\$215.67	#.2
	Camel	9L3Z 18519A70 DB	\$215.75	#.2
	Stone	9L3Z 18519A70 DA	\$181.82	#.2
44	w/o Sunroof			
	Fixed, Man Rear Window			
	Black	9L3Z 18519A70 AC	\$192.95	#.2
	Camel	9L3Z 18519A70 AB	\$192.95	#.2
	Stone	9L3Z 18519A70 AA	\$193.05	#.4
	Pwr Rear Window			
	Black	9L3Z 18519A70 BC	\$228.45	#.2
	Camel	9L3Z 18519A70 BB	\$228.45	#.2
	Stone	9L3Z 18519A70 BA	\$228.45	#.2
	#Included in R&I/R&R Headliner			
45	Lamp Assy, Map (d)	7L1Z 13776 EA	\$47.92	#.2
	#w/Overhead Console Removed			
46	Lens, Map Lamp (d) (e)	7L1Z 13783 DA	\$20.17	
47	Bulb, Map Lamp (2) (d) (e)	C2AZ 13466 C	\$0.94	
	(e) Included w/Map Lamp Assy			
	(d) Included w/Overhead Console Assy			
	Bracket, Overhead Console			
48	w/Sunroof	9L3Z 78519K22 AA	\$80.32	
49	w/o Sunroof	9L3Z 78519K22 BA	\$94.77	

INTERIOR TRIM INTERIOR TRIM CREW CAB 2011-14



					R&I Headliner	2.7
					R&I Overhead Console	#.2
					#Included in R&I/R&R Headliner	
1	Weatherstrip, Drip Rail (On Body)	R	AL3Z 1651222 A	\$121.55		.2
		L	AL3Z 1651223 A	\$125.38		.2
2	Retainer, Weatherstrip	R	9L3Z 16253A20 A	\$17.12		
		L	9L3Z 16253A21 A	\$17.12		
3	Garnish Assy, Inner Windshield-See Windshield Section					
4	Panel, Cowl Trim					
	Adobe					
	XLT, XTR, Lariat Model	R	BL3Z 1502344 AD	\$32.02		.2
		L	9L3Z 1502345 DA	\$83.20		.2
	King Ranch Model	R	BL3Z 1502344 AA	\$35.25		.2
		L	BL3Z 1502345 AA	\$39.07		.2
	Lariat Limited Model	R	BL3Z 1502344 AD	\$32.02		.2
		L	9L3Z 1502345 DA	\$83.20		.2
	Black, Steel	R	BL3Z 1502344 AC	\$29.10		.2
		L	9L3Z 1502345 CA	\$83.80		.2
5	Cover, Panel					
	Adobe					
	XLT, XTR, Lariat Model	R	9L3Z 15023A98 DA	\$24.03		
	King Ranch Model	R	BL3Z 15023A98 AA	\$28.95		
	Lariat Limited Model	R	9L3Z 15023A98 DA	\$24.03		
	Black, Steel	R	9L3Z 15023A98 CA	\$24.75		
	Clip, Trim (a)					
	Type 1	R	* W704021 S424	\$2.00		
		L	* W704021 S424	\$2.00		
	Type 2	R	* W701882 S424	\$4.10		
	(a) As Required					
6	W/Strip, Front Door Opng (On Body)	R	BL3Z 1520708 A	\$157.92		.4
		L	BL3Z 1520709 A	\$157.92		.4
7	Panel, Center Pillar Trim					
	Adobe					
	XLT, XTR, Lariat Model	R	9L3Z 1624346 DA	\$151.27		#.5
		L	9L3Z 1624347 DA	\$151.27		#.5
	King Ranch Model	R	BL3Z 1624346 AA	\$110.03		#.5
		L	BL3Z 1624347 AA	\$103.90		#.5
	Lariat Limited Model	R	9L3Z 1624346 DA	\$151.27		#.5
		L	9L3Z 1624347 DA	\$151.27		#.5
	Black, Steel	R	9L3Z 1624346 CA	\$151.27		#.5
		L	9L3Z 1624347 CA	\$151.27		#.5
	#Includes R&R Front & Rear Scuff Plates					
8	Handle, Assist					
	Adobe					
	XLT, XTR, Lariat Model	R	9L3Z 1631406 DA	\$83.80		#.2
		L	9L3Z 1631407 DA	\$83.80		#.2
	King Ranch Model	R	BL3Z 1631406 AA	\$65.03		#.2
		L	BL3Z 1631407 AA	\$111.78		#.2
	Lariat Limited Model	R	9L3Z 1631406 DA	\$83.80		#.2

	L	9L3Z 1631407 DA	\$83.80	#.2
Black, Steel	R	9L3Z 1631406 CA	\$83.80	#.2
	L	9L3Z 1631407 CA	\$83.80	#.2
#Included in R&R Center Pillar Trim				
9 Bezel, Trim Panel				
Adobe				
XLT, XTR, Lariat Model	R	9L3Z 1660220 PA	\$15.62	
	L	9L3Z 1660220 PA	\$15.62	
King Ranch Model	R	BL3Z 1660220 BA	\$15.42	
	L	BL3Z 1660220 BA	\$15.42	
Lariat Limited Model	R	9L3Z 1660220 PA	\$15.62	
	L	9L3Z 1660220 PA	\$15.62	
Black, Steel	R	9L3Z 1660220 FA	\$5.72	
	L	9L3Z 1660220 FA	\$5.72	
10 Plate, Sill (Adhesive)	R	9L3Z 1513208 AA	\$42.70	.2
	L	9L3Z 1513209 AA	\$42.70	.2
11 Plate, Front Scuff				
Adobe				
XLT, XTR, Lariat Model	R	9L3Z 1613208 CA	\$79.98	.2
	L	9L3Z 1613209 CA	\$79.98	.2
King Ranch Model	R	BL3Z 1613208 AA	\$28.88	.2
	L	BL3Z 1613209 AA	\$28.88	.2
Lariat Limited Model	R	9L3Z 1613208 CA	\$79.98	.2
	L	9L3Z 1613209 CA	\$79.98	.2
Black				
FX4, Lariat Model	R	9L3Z 1613208 BA	\$79.98	.2
	L	9L3Z 1613209 BA	\$79.98	.2
Platinum Model	R	9L3Z 1613208 EA	\$102.97	.2
	L	9L3Z 1613209 EA	\$102.97	.2
Harley-Davidson Model	R	BL3Z 1613208 CA	\$132.47	.2
	L	BL3Z 1613209 CA	\$132.47	.2
Lariat Limited, Limited Model	R	BL3Z 1613208 DA	\$106.00	.2
	L	BL3Z 1613209 DA	\$123.47	.2
Steel				
XL, STX, XLT, XTR Model	R	9L3Z 1613208 BA	\$79.98	.2
	L	9L3Z 1613209 BA	\$79.98	.2
Platinum Model	R	9L3Z 1613208 EA	\$102.97	.2
	L	9L3Z 1613209 EA	\$102.97	.2
12 Retainer, Scuff Plate (4/Side)	R	9L3Z 1513284 A	\$5.22	
	L	9L3Z 1513284 A	\$5.22	
13 W/Strip, Rear Door Opng (On Body)	R	BL3Z 16253A10 A	\$148.23	#.4
	L	BL3Z 16253A11 A	\$148.23	#.4
14 Panel, Rear Pillar Trim				
Adobe				
XLT, XTR, Lariat Model	R	9L3Z 16278D12 DA	\$136.48	#.4
	L	9L3Z 16278D13 DA	\$122.02	#.4
King Ranch Model	R	BL3Z 16278D12 AA	\$159.22	#.4
	L	BL3Z 16278D13 AA	\$159.22	#.4
Lariat Limited Model	R	9L3Z 16278D12 DA	\$136.48	#.4
	L	9L3Z 16278D13 DA	\$122.02	#.4
Black, Steel	R	9L3Z 16278D12 CA	\$136.10	#.4

		L	9L3Z 16278D13 CA	\$122.02	#.4
	#Includes R&R Rear Scuff Plate, Included in R&R Back Trim Panel				
15	Cap, Trim Panel				
	Adobe				
	XLT, XTR, Lariat Model	R	9L3Z 15234B76 GA	\$6.25	
		L	9L3Z 15234B76 GA	\$6.25	
	King Ranch Model	R	BL3Z 15234B76 BA	\$16.22	
		L	BL3Z 15234B76 BA	\$16.22	
	Lariat Limited Model	R	9L3Z 15234B76 GA	\$6.25	
		L	9L3Z 15234B76 GA	\$6.25	
	Black, Steel	R	9L3Z 15234B76 CA	\$6.25	
		L	9L3Z 15234B76 CA	\$6.25	
16	Retainer, Panel (a)	R	* W714076 SS35B	\$1.03	
		L	* W714076 SS35B	\$1.03	
	(a) Black listed, Order by Application				
17	Plate, Rear Scuff				
	Adobe				
	XLT, XTR, Lariat Model	R	9L3Z 1613228 DA	\$34.48	.2
		L	9L3Z 1613229 DA	\$35.02	.2
	King Ranch Model	R	BL3Z 1613228 AA	\$45.57	.2
		L	BL3Z 1613229 AA	\$44.87	.2
	Lariat Limited Model	R	9L3Z 1613228 DA	\$34.48	.2
		L	9L3Z 1613229 DA	\$35.02	.2
	Black, Steel	R	9L3Z 1613228 CA	\$35.02	.2
		L	9L3Z 1613229 CA	\$34.48	.2
18	Panel, Back Trim		AL3Z 1823706 AA	\$149.50	#1.0
	#Included in R&I/R&R Back Window Glass				
	Clip, Panel				
19	Type 1, (3)		* W713181 SS3JA	\$1.03	
20	Type 2 (a)	R	* W706815 SS35B	\$1.03	
		L	* W706815 SS35B	\$1.03	
	(a) Black listed, Order by Application				
21	Bezel, Support				
	Adobe		BL3Z 1660220 AA	\$27.33	
	Black		9L3Z 1660220 CA	\$48.95	
	Steel		BL3Z 1660220 AB	\$27.33	
22	Cap, Support				
	Adobe		BL3Z 15601B32 AA	\$17.18	
	Black		9L3Z 15601B32 CA	\$16.53	
	Steel		BL3Z 15601B32 AB	\$17.18	
23	Covering, Floor (a)				
	Carpet		BL3Z 1613000 BA	\$661.00	
	Vinyl		BL3Z 1613010 JA	\$664.50	
	(a) Order by Application				
24	Clip, Covering				
	Type 1, (2)		* N804837 S	\$1.12	
	Type 2, (3) (a)		* W713181 SS3ZH	\$1.03	
	(a) Black listed, Order by Application				
25	Cover, Jack		9L3Z 1645626 BA	\$75.35	
26	Sub-Woofer		BL3Z 18808 C	\$321.10	
27	Harness, Body (a)				

No. 1			
w/Sony Sound System	9L3Z 14A005 FAA	\$743.53	
w/o Sony Sound System			
w/Memory	9L3Z 14A005 GAA	\$730.12	
w/o Memory	9L3Z 14A005 EAA	\$687.75	
No. 2			
145" WB	9L3Z 14405 KA	\$221.65	
157" WB	9L3Z 14405 MA	\$250.83	

(a) Order by Application

Harness, Front Door Wiring

 Dearborn Plant-See Front Door Section

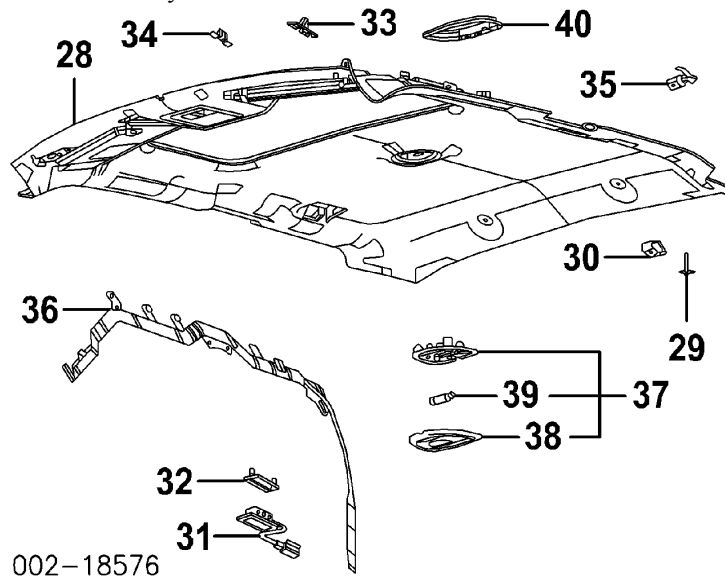
 Kansas City Plant-Serviced w/Body Harness

Harness, Rear Door Wiring

 Dearborn Plant-See Rear Door Section

 Kansas City Plant-Serviced w/Body Harness

Harness, Rear Lamp-Serviced w/Body Harness



28 Headliner

 w/Sunroof

 Adobe

 w/Sync System

 w/o Sync System

 Black

 w/Sync System

 w/Chrome Pkg

 w/o Chrome Pkg

 w/o Sync System

 w/Chrome Pkg

 w/o Chrome Pkg

 Steel

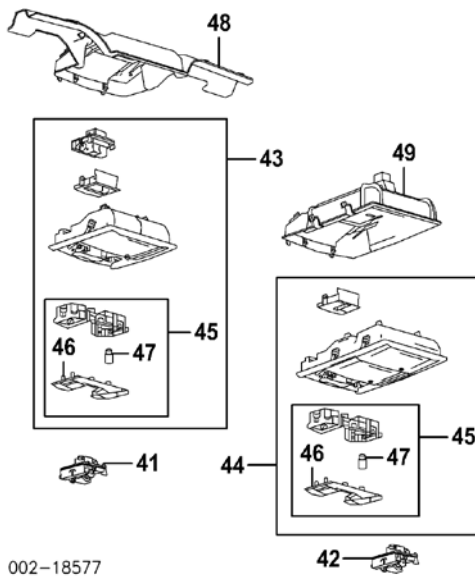
 w/Sync System

 w/o Sync System

 w/o Sunroof

BL3Z 1651944 DA	\$970.50	2.7
BL3Z 1651944 BA	\$1,170.18	2.7
BL3Z 1651944 DB	\$970.50	2.7
BL3Z 1651944 DC	\$970.50	2.7
BL3Z 1651944 BB	\$1,170.18	2.7
BL3Z 1651944 BC	\$1,025.72	2.7
BL3Z 1651944 DB	\$970.50	2.7
BL3Z 1651944 BB	\$1,170.18	2.7

Adobe				
w/Sync System		BL3Z 1651944 CA	\$970.50	2.7
w/o Sync System		BL3Z 1651944 AA	\$879.57	2.7
Black				
w/Sync System				
w/Chrome Pkg		BL3Z 1651944 CB	\$970.50	2.7
w/o Chrome Pkg		BL3Z 1651944 CC	\$974.13	2.7
w/o Sync System				
w/Chrome Pkg		BL3Z 1651944 AB	\$879.57	2.7
w/o Chrome Pkg		BL3Z 1651944 AC	\$931.18	2.7
Steel				
w/Sync System		BL3Z 1651944 CB	\$970.50	2.7
w/o Sync System		BL3Z 1651944 AB	\$879.57	2.7
29 Retainer, Headliner (a)				
Adobe		* W710041 SS3AT	\$1.03	
Black		* W710041 SS35B	\$1.03	
Steel		* W710041 SS39M	\$1.03	
(a) As Required				
30 Hook, Coat				
Adobe	R	BL3Z 1829024 BA	\$30.85	.2
	L	BL3Z 1829024 BA	\$30.85	.2
Black	R	BL3Z 1829024 BB	\$30.85	.2
	L	BL3Z 1829024 BB	\$30.85	.2
Steel	R	BL3Z 1829024 BB	\$30.85	.2
	L	BL3Z 1829024 BB	\$30.85	.2
Order by Application				
31 Microphone, Hands-Free				
Adobe		AT4Z 19A391 AC	\$33.10	
Steel		AT4Z 19A391 AE	\$33.10	
32 Bracket, Microphone		AT4Z 9904082 B	\$10.38	
33 Bracket, Sun Visor	R	9L3Z 1504082 AA	\$18.62	
	L	9L3Z 1504082 AA	\$18.62	
34 Retainer, Mtg (a)		2L1Z 78311A70 AA	\$12.66	
(a) As Required				
35 Bracket, Headliner	R	9L3Z 1629019 A	\$26.17	
	L	9L3Z 1629019 B	\$26.17	
36 Module, Side Curtain Air Bag-See Air Bag System Section				
37 Lamp Assy, Dome				
w/Sunroof		YF1Z 13776 CA	\$41.85	.2
w/o Sunroof		YF1Z 13776 AA	\$50.67	.2
38 Lens, Dome Lamp (b)				
w/Sunroof		YF1Z 13783 CA	\$11.07	
w/o Sunroof		YF1Z 13783 AA	\$14.45	
39 Bulb, Dome Lamp (a) (b)		F58Z 13466 A	\$3.11	
(a) As Required				
(b) Included w/Dome Lamp Assy				
40 Bracket, Lamp				
w/o Sunroof		9L3Z 1851536 A	\$26.95	

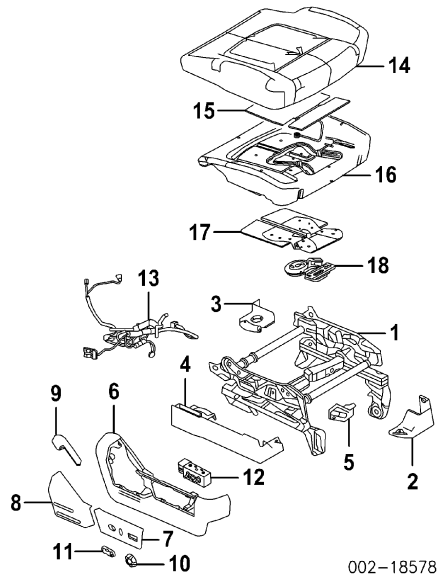


002-18577

41	Switch, Sunroof			
	Fixed, Man Rear Window	9L3Z 15B691 BA	\$39.25	
	Pwr Rear Window	9L3Z 15B691 DA	\$32.07	
42	Switch, Rear Power Window			
	w/o Sunroof	9L3Z 15B691 AA	\$29.38	
43	Console Assy, Overhead			
	w/Sunroof			
	Fixed, Man Rear Window			
	Adobe	BL3Z 18519A70 CA	\$218.22	#.2
	Black			
	w/Chrome Pkg	BL3Z 18519A70 CB	\$150.08	#.2
	w/o Chrome Pkg	9L3Z 18519A70 CC	\$197.12	#.2
	Steel	BL3Z 18519A70 CB	\$150.08	#.2
	Pwr Rear Window			
	Adobe	BL3Z 18519A70 DA	\$185.60	#.2
	Black			
	w/Chrome Pkg	BL3Z 18519A70 DB	\$185.60	#.2
	w/o Chrome Pkg	BL3Z 18519A70 DC		#.2
	Steel	BL3Z 18519A70 DB	\$185.60	#.2
44	w/o Sunroof			
	Fixed, Man Rear Window			
	Adobe	BL3Z 18519A70 AA	\$172.25	#.2
	Black			
	w/Chrome Pkg	BL3Z 18519A70 AB	\$172.25	#.2
	w/o Chrome Pkg	9L3Z 18519A70 AC	\$192.95	#.2
	Steel	BL3Z 18519A70 AB	\$172.25	#.2
	Pwr Rear Window			
	Adobe	BL3Z 18519A70 BA	\$225.58	#.2
	Black			
	w/Chrome Pkg	BL3Z 18519A70 BB	\$206.60	#.2
	w/o Chrome Pkg	9L3Z 18519A70 BC	\$228.45	#.2

	Steel	BL3Z 18519A70 BB	\$206.60	#.2
	#Included in R&I/R&R Headliner			
45	Lamp Assy, Map (c)	7L1Z 13776 EA	\$47.92	#.2
	#w/Overhead Console Removed			
46	Lens, Map Lamp (c) (d)	7L1Z 13783 DA	\$20.17	
47	Bulb, Map Lamp (2) (c) (d)	C2AZ 13466 C	\$0.94	
	(d) Included w/Map Lamp Assy			
	(c) Included w/Overhead Console Assy			
	Bracket, Overhead Console			
48	w/Sunroof	9L3Z 78519K22 AA	\$80.32	
49	w/o Sunroof	9L3Z 78519K22 BA	\$94.77	

FRONT SEAT PASSENGER SIDE



002-18578

R&I Seat Assy

NOTE: R&I/R&R Does Not include disable and enable or diagnose Air Bag System.

1 Track, Seat-See Air Bag System Section Cover, Seat Track (a)

2 Front

Man Seat

9L3Z 1562186 MA

\$77.82

Pwr Seat

9L3Z 1662186 GA

\$52.40

3 Rear

Man Seat

9L3Z 1562186 CA

\$32.37

Pwr Seat

9L3Z 1662186 KA

\$28.22

4 Side

Man Seat

9L3Z 1562186 FA

\$32.15

Pwr Seat

9L3Z 1662186 BA

\$57.15

(a) Black listed, Order by Application

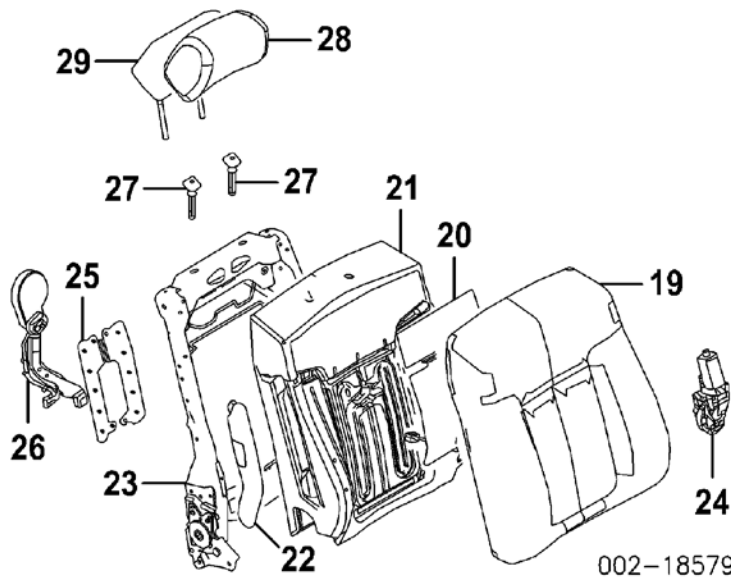
5 Control Unit, Occupant Detection-See Air Bag System Section

6 Panel, Side Trim (a)

Man Seat

.4

	Regular Cab, Crew Cab		9L3Z 1562186 JA	\$53.45	
	Extended Cab		9L3Z 1862186 CA	\$84.22	
	Pwr Seat				
	Extended Cab		9L3Z 1862186 EA	\$86.65	
	Crew Cab		9L3Z 1662186 DA	\$84.28	
	Cover, Panel (a)				
7	Front				
	Man Seat		9L3Z 14A706 PA	\$8.03	
	Pwr Seat		9L3Z 14A706 CA	\$40.77	
8	Rear				
	Man Seat				
	Regular Cab, Crew Cab		9L3Z 1561692 CA	\$30.22	
	Pwr Seat				
	Crew Cab		9L3Z 1661692 CA	\$23.12	
9	Handle, Adjuster (a)				
	Man Seat		9L3Z 1662622 CA	\$30.55	
10	Knob, Adjuster (a)				
	Man Seat		9L3Z 1561199 DA	\$10.15	
	(a) Black listed, Order by Application				
11	Knob, Switch				
	Position		9L3Z 14711 AB	\$6.85	
	Lumbar		9L3Z 14711 BA	\$6.85	
	Recliner		9L3Z 14711 AA	\$6.55	
12	Switch, Seat		9L3Z 14A701 FA	\$103.26	
13	Harness, Seat (a)				
	Man Seat	09	9L3Z 14A699 AA	\$63.65	
		10-11	AU5Z 14A699 A	\$56.82	
		12-14	BU5Z 14A699 CC	\$28.67	
	Pwr Seat				
	Heated/Cooled Seat	09	9L3Z 14A699 HA	\$107.77	
		10-11	AU5Z 14A699 C	\$91.10	
		12	BU5Z 14A699 HAA	\$51.37	
		13-14	BU5Z 14A698 TA	\$45.50	
	Heated Seat	09	8A5Z 14A699 GA	\$85.10	
		10-11	AU5Z 14A699 B	\$84.40	
		12-14	BU5Z 14A699 GA	\$47.55	
14	Cover, Seat Cushion (a)				
	Vinyl		9L3Z 1562900 AA	\$422.47	#.8
	Cloth		9L3Z 1562900 BA	\$437.65	#.8
	Leather		9L3Z 1862900 BA	\$542.48	#.8
	(a) Order by Application				
15	Element, Cushion Heater		9L3Z 14D696 B	\$53.53	#.8
16	Pad, Seat Cushion				
	Heated/Cooled Seat		DL3Z 18632A22 A	\$185.80	#.8
	Heated, Non-Heated Seat		9L3Z 15632A22 A	\$180.02	#.8
	#R&R Complete, w/Seat Assy Removed				
17	Duct, Air				
	Heated/Cooled Seat		9L3Z 18D507 A	\$85.85	
18	Blower, Seat Cushion				
	Heated/Cooled Seat		8A5Z 19N550 B	\$139.72	



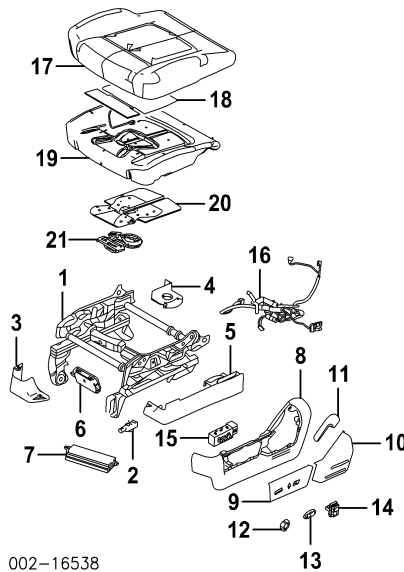
19 Cover, Seat Back (a)				
Vinyl		9L3Z 1564416 PA	\$581.83	#1.0
Cloth		9L3Z 1564416 FA	\$563.92	#1.0
Leather		9L3Z 1564416 MA	\$823.63	#1.0
(a) Order by Application				
20 Element, Seat Back Heater		9L3Z 14D696 A	\$30.43	#1.0
21 Pad, Seat Back				
Heated/Cooled Seat				
King Ranch, Platinum Model		DL3Z 1864810 A	\$205.72	#1.0
Lariat, Lariat Limited Model		DL3Z 1864810 A	\$205.72	#1.0
Harley-Davidson Model		DL3Z 1864810 C	\$186.88	#1.0
Limited Model		DL3Z 1864810 A	\$205.72	#1.0
Heated Seat (a)				
XL, XLT, XTR Model	09-10	9L3Z 1564810 A	\$242.95	#1.0
	11-14	BL3Z 1864810 A	\$205.80	#1.0
FX2, FX4, Lariat Model	09-10	9L3Z 1864810 B	\$244.78	#1.0
	11-14	BL3Z 1864810 A	\$205.80	#1.0
Non-Heated Seat (a)				
XL, XLT, STX Model		9L3Z 1564810 A	\$242.95	#1.0
FX4, Lariat Model		9L3Z 1864810 B	\$244.78	#1.0
(a) Order by Application				
#R&R Complete, w/Seat Assy Removed, Included in R&R Seat Back Frame				
22 Module, Seat Air Bag-See Air Bag System Section				
23 Frame, Seat Back				
Man Seat				
2009		BB5Z 7861018 B	\$441.47	1.0
2010-11		AL3Z 9661018 A	\$259.53	1.0
2012				
To 2-21-12		AL3Z 9661018 A	\$259.53	1.0
From 2-21-12		AU5Z 9661018 A	\$238.03	1.0

2013-14		AU5Z 9661018 A	\$238.03	1.0
Pwr Seat (a)				
Heated/Cooled Seat		8U5Z 9661018 B	\$376.75	1.2
Heated Seat		8U5Z 9661018 A	\$390.45	1.2
<i>(a) Order by Application</i>				
24 Motor, Adjuster		8A5Z 14547 A	\$79.80	
25 Duct, Air		9L3Z 18D507 B	\$56.53	
26 Blower, Seat Back		AA5Z 19N550 A	\$136.65	
27 Guide, Headrest (a)				
Locking		9L3Z 96610A16 DA	\$9.52	
Non-Locking		9L3Z 96610A18 DA	\$9.52	
<i>(a) Black listed, Order by Application</i>				
28 Cover, Headrest (a)				
Vinyl		9L3Z 15610A62 AA		#.2
Cloth		AL3Z 15610A62 CA	\$259.82	#.2
Leather		AL3Z 15610A62 CB	\$259.82	#.2
29 Headrest (a)	09	9L3Z 15611A08 A	\$60.33	#.2
	10-11	AL3Z 15611A08 A	\$82.73	#.2
	12-14	BC3Z 25611A08 A	\$61.92	#.2

(a) Order by Application

#R&R Complete

DRIVER SIDE



R&I Seat Assy

NOTE: R&I/R&R Does Not include disable and enable or diagnose Air Bag System.

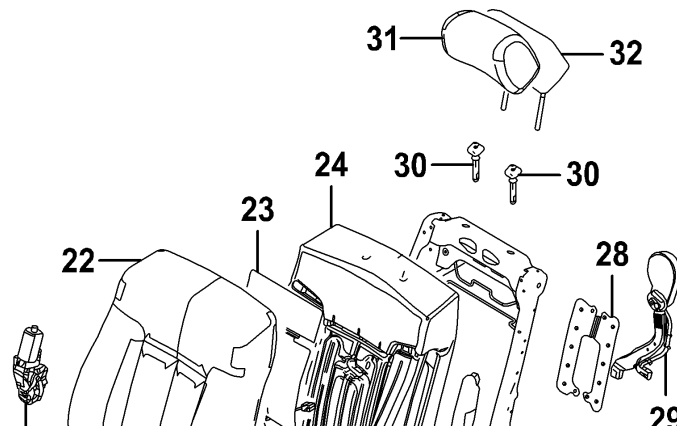
1 Track, Seat				.4
Manual		9L3Z 1661705 A	\$501.07	#1.2
Power				
w/Memory		CL3Z 9661711 B	\$288.62	#1.4
w/o Memory		CL3Z 9661711 A	\$300.62	#1.4

#w/Seat Assy Removed

2 Sensor, Seat Position-See Air Bag System Section

	Cover, Seat Track (a)		
3	Front		
	Pwr Seat	9L3Z 1662187 HA	\$60.62
4	Rear		
	Man Seat	9L3Z 1562187 CA	\$16.03
	Pwr Seat	9L3Z 1662187 LA	\$28.25
5	Side		
	Man Seat	9L3Z 1562187 FA	\$56.90
	Pwr Seat	9L3Z 1662187 BA	\$58.32
	(a) Black listed, Order by Application		
6	Module, Seat Heater		
	Heated/Cooled Seat	9U5Z 14C724 B	\$223.50
	Heated Seat	9U5Z 14C724 A	\$110.15
7	Module, Memory		
	2009-10		
	Memory Pkg III	AT4Z 14C708 A	\$78.80
	Memory Pkg IV	9L3Z 14C708 BA	\$230.53
	2011-14	BB5Z 14C708 A	\$178.82
8	Panel, Side Trim (a)		
	Man Seat		
	Regular Cab, Crew Cab	9L3Z 1562187 JA	\$58.60
	Extended Cab	9L3Z 1862187 CA	\$86.65
	Pwr Seat		
	6-Way Adjust		
	Regular Cab, Crew Cab	9L3Z 1562187 JA	\$58.60
	Extended Cab	9L3Z 1862187 CA	\$86.65
	10-Way Adjust		
	Extended Cab	9L3Z 1862187 EA	\$85.23
	Crew Cab	9L3Z 1662187 EA	\$57.93
	Cover, Panel (a)		
9	Front		
	Man Seat	9L3Z 14A706 TA	\$25.65
	Pwr Seat		
	6-Way Adjust	9L3Z 14A706 LA	\$8.88
	10-Way Adjust	9L3Z 14A706 NA	\$9.18
10	Rear		
	Regular Cab, Crew Cab		
	Man Seat	9L3Z 1561693 CA	\$30.22
	Pwr Seat		
	6-Way Adjust	9L3Z 1561693 CA	\$30.22
	10-Way Adjust	9L3Z 1661693 CA	\$30.33
11	Handle, Adjuster (a)		
	Man Seat	9L3Z 1662622 FA	\$54.17
	Pwr Seat		
	6-Way Adjust	9L3Z 1662622 FA	\$54.17
12	Knob, Adjuster (a)	9L3Z 1561199 DA	\$10.15
	(a) Black listed, Order by Application		
13	Knob, Switch		
	6-Way Adjust (a)	9L3Z 14711 AB	\$6.85
	10-Way Adjust		
	Position	9L3Z 14711 AB	\$6.85

Lumbar		9L3Z 14711 BA	\$6.85	
Recliner		9L3Z 14711 AA	\$6.55	
(a) As Required				
14 Switch, Memory				
2009				
To 12-1-08		7L3Z 14776 AA	\$47.72	
From 12-1-08		BC3Z 14776 AA	\$27.93	
2010-14		BC3Z 14776 AA	\$27.93	
15 Switch, Seat				
6-Way Adjust		9L3Z 14A701 A	\$176.42	
10-Way Adjust		9L3Z 14A701 FB	\$396.08	
16 Harness, Seat				
Man Seat	09	8S4Z 14A699 AB	\$28.88	
	10-14	BU5Z 14A699 A	\$33.85	
Pwr Seat				
6-Way Adjust	09	9L3Z 14A699 CA	\$54.25	
	10-11	AU5Z 14A699 E	\$55.28	
	12-14	BU5Z 14A699 C	\$26.68	
10-Way Adjust				
Heated/Cooled Seat	09	9L3Z 14A699 BA	\$138.40	
	10-11	AU5Z 14A699 F	\$118.90	
	12-14	BU5Z 14A699 E	\$67.55	
Heated Seat	09	9L3Z 14A699 PA	\$126.93	
	10-11	AU5Z 14A699 G	\$108.42	
	12-14	BU5Z 14A699 P	\$61.68	
17 Cover, Seat Cushion (a)				
Vinyl		9L3Z 1562901 AA	\$325.42	#.8
Cloth		9L3Z 1562901 BA	\$437.65	#.8
Leather		9L3Z 1862901 BA	\$579.48	#.8
(a) Order by Application				
18 Element, Cushion Heater		9L3Z 14D696 B	\$53.53	#.8
19 Pad, Seat Cushion				
Heated/Cooled Seat		DL3Z 18632A23 A	\$185.80	#.8
Heated, Non-Heated Seat		9L3Z 15632A23 A	\$153.02	#.8
#R&R Complete, w/Seat Assy Removed, Included in R&R Seat Track				
20 Duct, Air		9L3Z 18D507 A	\$85.85	
21 Blower, Seat Cushion		8A5Z 19N550 C	\$139.72	



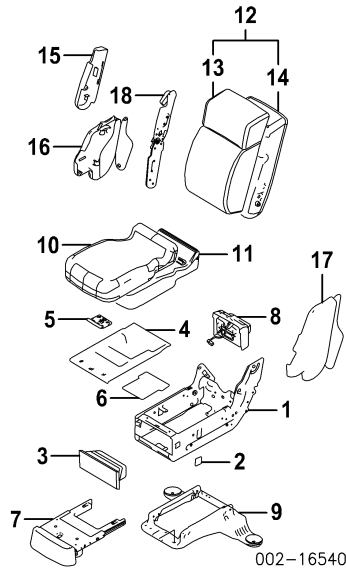


002-16539

22	Cover, Seat Back (a)			
	Vinyl	9L3Z 1564417 AA	\$589.25	#1.0
	Cloth	9L3Z 1564417 FA	\$583.65	#1.0
	Leather	9L3Z 1564417 MA	\$561.77	#1.0
	(a) Order by Application			
23	Element, Seat Back Heater	9L3Z 14D696 A	\$30.43	#1.0
24	Pad, Seat Back (a)			
	Heated Seat			
	XL, XLT, XTR, STX Model	9L3Z 1564811 A	\$192.23	#1.0
	FX2, FX4, Lariat Model	9L3Z 1864811 B	\$216.77	#1.0
	Heated/Cooled Seat			
	King Ranch, Platinum Model	DL3Z 1864811 A	\$205.55	#1.0
	Lariat Limited, Limited Model	DL3Z 1864811 A	\$205.55	#1.0
	Harley-Davidson Model	DL3Z 1864810 C	\$186.88	#1.0
	Non-Heated Seat			
	XL, XLT, STX Model	9L3Z 1564811 A	\$192.23	#1.0
	FX4, Lariat Model	9L3Z 1864811 B	\$216.77	#1.0
	(a) Order by Application			
	#R&R Complete, w/Seat Assy Removed, Included in R&R Seat Back Frame			
25	Module, Seat Air Bag-See Air Bag System Section			
26	Frame, Seat Back (a)			
	Man Seat	BB5Z 7861019 B	\$459.58	1.0
	Pwr Seat			
	6-Way Adjust	BB5Z 7861019 B	\$459.58	1.2
	10-Way Adjust			
	Heated/Cooled Seat	8U5Z 9661018 B	\$376.75	1.2
	Heated Seat	8U5Z 9661018 A	\$390.45	1.2
	(a) Order by Application			
27	Motor, Adjuster			
	6-Way Adjust	8A5Z 14547 A	\$79.80	
	10-Way Adjust			
	w/Memory	8A5Z 14547 B	\$85.15	
	w/o Memory	8A5Z 14547 A	\$79.80	
28	Duct, Air	9L3Z 18D507 B	\$56.53	
29	Blower, Seat Back	AA5Z 19N550 A	\$136.65	
30	Guide, Headrest (a)			
	Locking	9L3Z 96610A16 DA	\$9.52	
	Non-Locking	9L3Z 96610A18 DA	\$9.52	
	(a) Black listed, Order by Application			
31	Cover, Headrest (a)			
	Vinyl	9L3Z 15610A62 AA		#.2
	Cloth	AL3Z 15610A62 CA	\$259.82	#.2
	Leather	AL3Z 15610A62 CB	\$259.82	#.2
32	Headrest (a)			
	09	9L3Z 15611A08 A	\$60.33	#.2
	10-11	AL3Z 15611A08 A	\$82.73	#.2

(a) Order by Application
#R&R Complete

MIDDLE
MIDDLE 2009-10

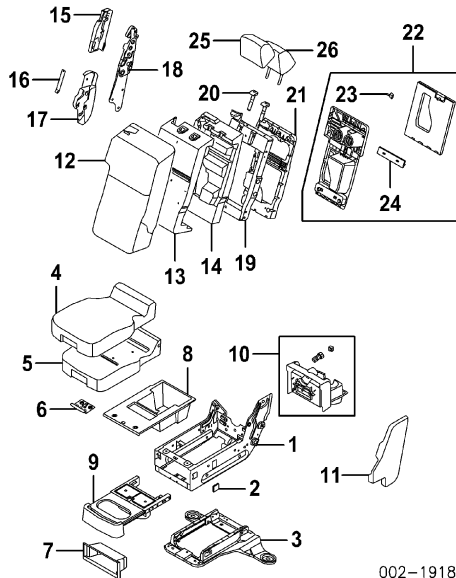


R&I Seat Assy				.3
1	Base, Seat #w/Seat Assy Removed	BL3Z 15618C62 B	\$357.30	#.3
2	Plug, Side	R 9L3Z 15672A40 A L 9L3Z 15672A40 A	\$16.92 \$16.92	
Compartment, Storage				
3	Front w/o Cup Holder	9L3Z 18115A00 MA	\$28.52	
4	Rear w/Sub-Woofer w/o Sub-Woofer 2WD 4WD w/Elect Transfer Case w/o Elect Transfer Case	9L3Z 18115A00 JA 9L3Z 18115A00 FA 9L3Z 18115A00 FA 9L3Z 18115A00 CA 9L3Z 15454A48 CA	\$110.12 \$105.35 \$105.35 \$64.40 \$19.75	
5	Handle, Compartment (a)			
6	Mat, Compartment (a) w/Sub-Woofer w/o Sub-Woofer 2WD 4WD w/Elect Transfer Case w/o Elect Transfer Case	9L3Z 1611600 GA 9L3Z 1611600 DA 9L3Z 1611600 DA 9L3Z 1611600 AA	\$7.14 \$7.14	
Holder, Cup (a)				
7	Front	9L3Z 1513562 DA	\$150.38	
8	Rear	9L3Z 1813562 CA	\$113.38	

(a) Black listed, Order by Application

9 Bracket, Seat			9L3Z 15045B34 A	\$145.83	
10 Cover, Cushion (a)					
Vinyl			9L3Z 1562900 GA	\$328.72	#.6
Cloth			9L3Z 1562900 HA	\$345.33	#.6
Leather			9L3Z 1562900 NA	\$393.75	#.6
(a) Order by Application					
11 Pad, Seat Cushion			9L3Z 18632A22 B	\$211.67	#.6
#R&R Complete, w/Seat Assy Removed					
12 Armrest Assy (a)					
Vinyl-Serviced by Components					
Cloth			9L3Z 18644A22 GA	\$376.22	.3
Leather			9L3Z 18644A22 EA	\$329.47	.3
13 Cover, Armrest (a)					
Vinyl			9L3Z 1564416 QA	\$328.72	#.6
Cloth			9L3Z 1564416 RA	\$345.33	#.6
Leather-Serviced w/Armrest Assy					
(a) Order by Application					
14 Pad, Armrest			5L3Z 1565478 AA	\$215.90	#.6
Included w/Armrest Assy					
#R&R Complete, w/Seat Assy Removed					
Cover, Side (a)					
Right					
15 Upper	R		9L3Z 18672A33 CA	\$78.40	
16 Lower	R		9L3Z 18672A32 CA	\$63.08	
17	L		9L3Z 18672A29 CA	\$68.70	
(a) Black listed, Order by Application					
18 Latch	R		9L3Z 16645A04 A	\$66.50	

MIDDLE
MIDDLE 2011-14



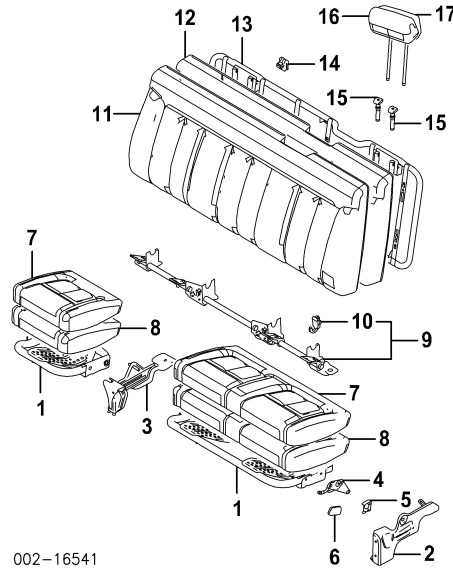
002-19186

R&I Seat Assy					.3
1 Base, Seat			BL3Z 15618C62 A	\$281.75	#.3
#w/Seat Assy Removed					
2 Plug, Side	R		9L3Z 15672A40 A	\$16.92	

3	Bracket, Seat	L	9L3Z 15672A40 A	\$16.92	
4	Cover, Cushion		BL3Z 15625A80 A	\$209.22	
	Vinyl		BL3Z 1562900 GA	\$354.58	#.6
	Cloth (a)		DL3Z 1562900 FB	\$201.67	#.6
	Leather (a)		BL3Z 1562900 LB	\$364.58	#.6
	(a) Order by Application				
5	Pad, Seat Cushion		9L3Z 18632A22 B	\$211.67	#.6
	#R&R Complete, w/Seat Assy Removed				
6	Handle, Compartment (a)		9L3Z 15454A48 CA	\$19.75	
	(a) Black listed, Order by Application				
	Compartment, Storage				
7	Front				
	w/o Cup Holder		9L3Z 18115A00 MA	\$28.52	
8	Rear				
	w/Sub-Woofer		9L3Z 18115A00 JA	\$110.12	
	w/o Sub-Woofer				
	2WD		9L3Z 18115A00 FA	\$105.35	
	4WD				
	w/Elect Transfer Case		9L3Z 18115A00 FA	\$105.35	
	w/o Elect Transfer Case		9L3Z 18115A00 CA	\$64.40	
9	Holder, Front Cup		9L3Z 1513562 DA	\$150.38	
10	Holder, Rear Cup (a)		9L3Z 1813562 CA	\$113.38	
11	Cover, Hinge (a)	L	BL3Z 18672A29 AA	\$7.65	
	(a) Black listed, Order by Application				
12	Cover, Seat Back				
	Vinyl		BL3Z 1564416 GA	\$352.72	#.6
	Cloth (a)		DL3Z 1564416 AB	\$211.12	#.6
	Leather (a)		BL3Z 1864416 LB	\$321.75	#.6
	(a) Order by Application				
	Pad, Seat Back				
13	w/Storage				
	Split Bench Seat		BL3Z 1564810 B	\$215.95	#.6
	40/20/40 Split Seat		BL3Z 1564810 C	\$132.20	#.6
14	w/o Storage		BL3Z 1564810 D	\$134.03	#.6
	#R&R Complete, w/Seat Assy Removed, Included in R&R Seat Back Frame				
	Cover, Latch (a)				
15	Upper	R	BC3Z 28672A28 BA	\$35.47	
16	Center	R	DL3Z 99672A28 AB	\$13.10	
17	Lower	R	BL3Z 18672A28 AB	\$36.28	
	(a) Black listed, Order by Application				
18	Latch, Seat Back	R	BL3Z 96645A04 A	\$134.40	
19	Frame, Seat Back				
	Split Bench Seat		BL3Z 9661018 A	\$158.78	#.6
	40/20/40 Split Seat		BL3Z 9661018 B	\$134.92	#.6
	#w/Seat Assy Removed				
20	Guide, Headrest (a)	R	9L3Z 96610A18 DA	\$9.52	
	(a) Black listed, Order by Application	L	9L3Z 96610A18 DA	\$9.52	
21	Bracket, Armrest		BL3Z 18624A14 A	\$61.98	
22	Armrest Assy (a)		BL3Z 18644A22 CB	\$230.52	
23	Cap, Trim (a)		9L3Z 18219B00 CA	\$4.42	

24 Mat, Hinge (a) Included w/Armrest Assy (a) Black listed, Order by Application	BL3Z 18045G34 AB	\$21.22	
25 Cover, Headrest Vinyl	BL3Z 15610A62 GA	\$233.20	#.2
Cloth (a)	DL3Z 15610A62 CB	\$155.25	#.2
Leather (a) (a) Order by Application	BL3Z 15610A62 LB	\$180.13	#.2
26 Headrest #R&R Complete	BC3Z 28611A08 BA	\$46.58	#.2

REAR SEAT EXTENDED CAB



002-16541

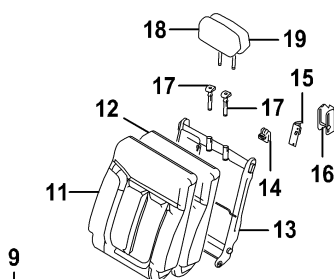
R&I Rear Seat Assy				1.0
R&I Seat Back Assy				#.5
#Included in R&I Rear Seat Assy				
1 Frame, Seat Cushion	R	9L3Z 1863160 A	\$102.08	#.6
	L	9L3Z 1863161 A	\$149.08	#.6
#w/Seat Assy Removed				
Support, Seat				
2 Side	R	9L3Z 1860692 A	\$78.42	
	L	9L3Z 1860693 C	\$55.70	
3 Center		9L3Z 1860692 B	\$120.83	
4 Latch, Seat	R	9L3Z 1867412 A	\$56.80	
	L	9L3Z 1867413 A	\$60.35	
5 Cover, Latch	R	YL3Z 1861350 AAA	\$21.87	
	L	YL3Z 1861351 AAA	\$21.87	
6 Handle, Latch	R	9L3Z 1862418 DA	\$30.35	
	L	9L3Z 1862419 DA	\$25.25	
7 Cover, Seat Cushion (a) Vinyl	09-10 R	9L3Z 1863804 AA	\$442.82	#.6
	L	9L3Z 1863805 AA	\$589.12	#.6
	11-14 R	DL3Z 1863804 AB	\$221.32	#.6

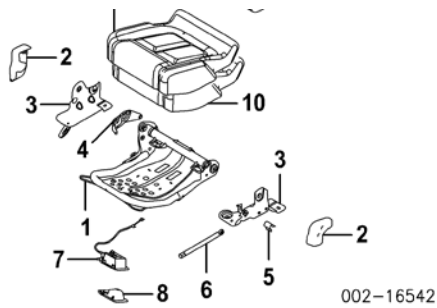
Cloth	09-10	L	BL3Z 1863805 DA	\$552.35	#.6
		R	9L3Z 1863804 FA	\$445.32	#.6
	11-14	L	9L3Z 1863805 FA	\$511.12	#.6
		R	DL3Z 1863804 CB	\$222.38	#.6
Leather	09-10	L	DL3Z 1863805 AB	\$243.83	#.6
		R	9L3Z 1863804 EF	\$448.02	#.6
	11-14	L	9L3Z 1863805 EF	\$464.90	#.6
		R	BL3Z 1863804 FB	\$411.88	#.6
		L	BL3Z 1863805 FB	\$554.70	#.6
<i>(a) Order by Application</i>					
8 Pad, Seat Cushion		R	9L3Z 1863840 A	\$163.23	#.6
		L	9L3Z 1863841 A	\$230.52	#.6
<i>#R&R One Side Complete, w/Seat Assy Removed, Includes R&R Seat Cushion Frame</i>					
9 Bracket Assy, Mounting					
	2009-10		9L3Z 18601B28 A	\$202.10	
	2011				
	To 5-25-11		9L3Z 18601B28 A	\$202.10	
	From 5-25-11		BL3Z 18601B28 A	\$171.62	
	2012-14		BL3Z 18601B28 A	\$171.62	
10 Clip, Mounting (a)					
	Type 1	R	4L3Z 18613F60 BA	\$27.02	
		L	4L3Z 18613F60 BA	\$27.02	
	Type 2	R	4L3Z 18613F60 CA	\$20.70	
		L	4L3Z 18613F60 CA	\$20.70	
<i>(a) As Required</i>					
<i>Included w/Mounting Bracket Assy</i>					
11 Cover, Seat Back (a)					
	Vinyl	09-10	9L3Z 1866600 AA	\$734.52	#1.0
		11-14	BL3Z 1866600 DA	\$697.65	#1.0
	Cloth	09-10	9L3Z 1866600 PA	\$744.32	#1.0
		11-14	DL3Z 1866600 CB	\$237.10	#1.0
	Leather	09-10	9L3Z 1866600 SA	\$747.07	#1.0
		11-14	BL3Z 1866600 FB	\$710.00	#1.0
<i>(a) Order by Application</i>					
12 Pad, Seat Back					
	XL, STX, XLT, XTR Model	09-10	9L3Z 1866800 A	\$402.92	#1.0
		11-14	BL3Z 1866800 A	\$399.73	#1.0
	FX2, FX4, Lariat Model	09-10	9L3Z 1866800 B	\$463.55	#1.0
		11-14	BL3Z 1866800 B	\$353.32	#1.0
13 Frame, Seat Back					
		09-10	AL3Z 18613A38 A	\$125.62	#1.0
		11-14	BL3Z 18613A38 A	\$358.18	#1.0
<i>#R&R Complete, Includes R&R Headrests, w/Seat Back Removed</i>					
14 Clip, Seat Back Lock (3)			4L3Z 18613F60 AA	\$58.72	
15 Guide, Headrest (a)					
	2009-10				
	Locking	R	9L3Z 96610A16 DA	\$9.52	
		L	9L3Z 96610A16 DA	\$9.52	
	Non-Locking	R	9L3Z 96610A18 DA	\$9.52	
		L	9L3Z 96610A18 DA	\$9.52	
2011-14, (3)					

Locking			9L3Z 96610A16 DA	\$9.52	
Non-Locking			9L3Z 96610A18 DA	\$9.52	
<i>(a) Black listed, Order by Application</i>					
16 Cover, Headrest (a)					
Side					
Vinyl	09-10	R	9L3Z 18501A04 HA	\$271.25	.2
		L	9L3Z 18501A04 HA	\$271.25	.2
	11-14	R	BL3Z 18501A04 PA	\$244.67	.2
		L	BL3Z 18501A04 PA	\$244.67	.2
Cloth	09-10	R	9L3Z 18501A04 FA	\$274.80	.2
		L	9L3Z 18501A04 FA	\$274.80	.2
	11-12	R	BL3Z 18501A04 RB	\$255.12	.2
		L	BL3Z 18501A04 RB	\$255.12	.2
	13-14	R	DL3Z 18501A04 JB	\$162.92	.2
		L	DL3Z 18501A04 YB	\$162.92	.2
Leather	09-10	R	9L3Z 18501A04 EA	\$232.48	.2
		L	9L3Z 18501A04 EA	\$232.48	.2
	11-12	R	BL3Z 18501A04 MB	\$277.67	.2
		L	BL3Z 18501A04 MB	\$277.67	.2
	13-14	R	DL3Z 18501A04 DK	\$171.77	.2
		L	DL3Z 18501A04 RF	\$171.77	.2
Center					
Vinyl			BL3Z 18501A04 AA	\$189.17	.2
Cloth	11-12		BL3Z 18501A04 CB	\$184.32	.2
	13-14		DL3Z 18501A04 LB	\$154.45	.2
Leather	11-12		BL3Z 18501A04 DB	\$189.17	.2
	13-14		DL3Z 18501A04 DN	\$157.02	.2
17 Headrest (a)					
Side	09	R	9L3Z 18611A08 A	\$50.38	#.2
		L	9L3Z 18611A08 A	\$50.38	#.2
	10-11	R	AL3Z 18611A08 A	\$74.63	#.2
		L	AL3Z 18611A08 A	\$74.63	#.2
	12	R	BC3Z 25611A08 A	\$61.92	#.2
		L	BC3Z 25611A08 A	\$61.92	#.2
	13-14	R	DU5Z 78611A08 AB	\$116.17	#.2
		L	DU5Z 78611A09 AB	\$116.17	#.2
Center	11-12		BL3Z 18611A08 A	\$59.23	#.2
	13-14		DU5Z 18611A08 A	\$53.00	#.2

*(a) Order by Application
#Includes R&R Headrest Cover*

CREW CAB CREW CAB RIGHT SIDE



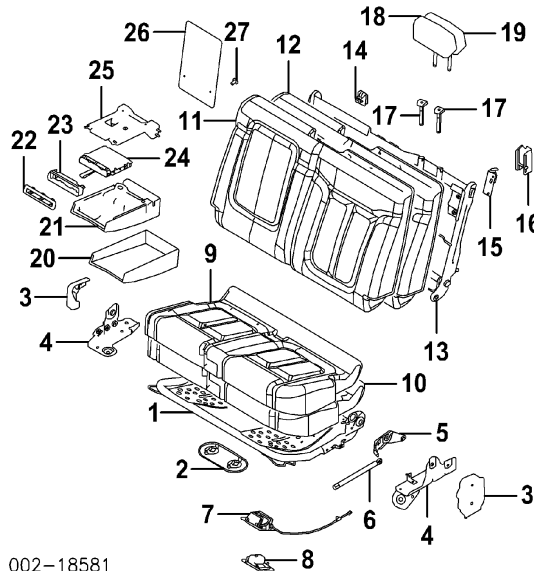


R&I Seat Assy								
1	Frame, Seat Cushion	09-10	R	BL3Z 1663160 A	\$427.50			.4
		11-12	R	BL3Z 1663160 A	\$427.50			#.6
		13-14	R	DL3Z 1663160 A	\$176.12			#.6
	<i>#w/Seat Assy Removed</i>							
2	Cover, Support (a)							
	Outer		R	9L3Z 1661350 DA	\$106.73			
	Inner		R	9L3Z 1661351 TA	\$11.07			
	<i>(a) Black listed, Order by Application</i>							
3	Support, Seat							
	Outer		R	9L3Z 1662526 A	\$89.28			
	Inner	09-12	R	9L3Z 1662527 B	\$50.42			
		13-14	R	DL3Z 1662527 A	\$73.93			
4	Latch, Seat		R	9L3Z 1667412 A	\$187.02			
5	Bezel, Guide		R	9L3Z 16613D72 AA	\$29.55			
6	Strut, Seat Lift		R	9L3Z 16624B74 A	\$40.98			
7	Handle, Seat (a)	09-10	R	9L3Z 1662418 CA	\$42.95			
		11-12	R	BL3Z 1662418 AG	\$42.07			
		13-14	R	DL3Z 1662418 AB	\$40.10			
8	Bezel, Handle (a)		R	9L3Z 1667460 CA	\$9.90			
	<i>(a) Black listed, Order by Application</i>							
9	Cover, Cushion (a)							
	Vinyl	09-10	R	9L3Z 1663804 KA	\$440.00			#.6
		11-14	R	BL3Z 1663804 KA	\$518.13			#.6
	Cloth	09-10	R	9L3Z 1663804 AA	\$376.43			#.6
		11-14	R	BL3Z 1663804 EB	\$401.80			#.6
	Leather	09-10	R	9L3Z 1663804 VA	\$521.32			#.6
		11-14	R	BL3Z 1663804 DB	\$578.70			#.6
	<i>(a) Order by Application</i>							
	Element, Cushion Heater	10-14	R	AL3Z 14D696 B	\$46.88			#.6
10	Pad, Cushion		R	AL3Z 1663840 B	\$147.22			#.6
	<i>#R&R Complete, w/Seat Assy Removed, Includes R&R Seat Cushion Frame</i>							
11	Cover, Seat Back (a)							
	Vinyl	09-10	R	9L3Z 1666600 KA	\$440.00			#.6
		11-14	R	BL3Z 1666600 KA	\$405.63			#.6
	Cloth	09-10	R	9L3Z 1666600 AA	\$318.62			#.6
		11-14	R	BL3Z 1666600 FB	\$406.88			#.6
	Leather	09-10	R	9L3Z 1666600 VA	\$434.25			#.6
		11-14	R	BL3Z 1666600 EA	\$424.97			#.6
	<i>(a) Order by Application</i>							
	Element, Seat Back Heater	10-14		AL3Z 14D696 C	\$31.77			

12 Pad, Seat Back						
XL, XLT, XTR Model		R	9L3Z 1666800 A		\$163.55	#.6
FX2, FX4 Model		R	9L3Z 1666800 B		\$185.95	#.6
Lariat, King Ranch, Platinum Model		R	AL3Z 1666800 B		\$181.63	#.6
Lariat Limited Model		R	AL3Z 1666800 B		\$181.63	#.6
Limited, Harley-Davidson Model		R	AL3Z 1666800 A		\$163.22	#.6
13 Frame, Seat Back	09	R	9L3Z 16613A38 A		\$215.55	#.6
	10-14	R	AL3Z 16613A38 A		\$115.67	#.6
<i>#R&R Complete, w/Seat Assy Removed, Includes R&R Headrest</i>						
14 Clip, Seat Back Lock		R	4L3Z 18613F60 AA		\$58.72	
15 Latch, Seat Back		R	AL3Z 9661383 A		\$25.70	
16 Striker, Latch		R	9L3Z 1662440 A		\$33.77	
17 Guide, Headrest (a)						
Locking		R	9L3Z 96610A16 DA		\$9.52	
Non-Locking		R	9L3Z 96610A18 DA		\$9.52	
<i>(a) Black listed, Order by Application</i>						
18 Cover, Headrest (a)						
Vinyl	09-10	R	9L3Z 18501A04 HA		\$271.25	#.2
	11-14	R	BL3Z 18501A04 LA		\$269.10	#.2
Cloth	09-10	R	9L3Z 18501A04 CA		\$229.05	#.2
	11-14	R	AL3Z 18501A04 EA		\$302.83	#.2
Leather	09-10	R	9L3Z 18501A04 GA		\$232.48	#.2
	11-14	R	BL3Z 18501A04 MB		\$277.67	#.2
19 Headrest (a)	09	R	9L3Z 18611A08 A		\$50.38	#.2
	10-12	R	AL3Z 18611A08 A		\$74.63	#.2
	13-14	R	DU5Z 78611A08 AB		\$116.17	#.2

*(a) Order by Application
#R&R Complete*

CREW CAB CREW CAB LEFT SIDE



002-18581

1 Frame, Seat Cushion		L	BL3Z 1663161 A		\$448.52	.4 #.9
-----------------------	--	---	----------------	--	----------	-----------

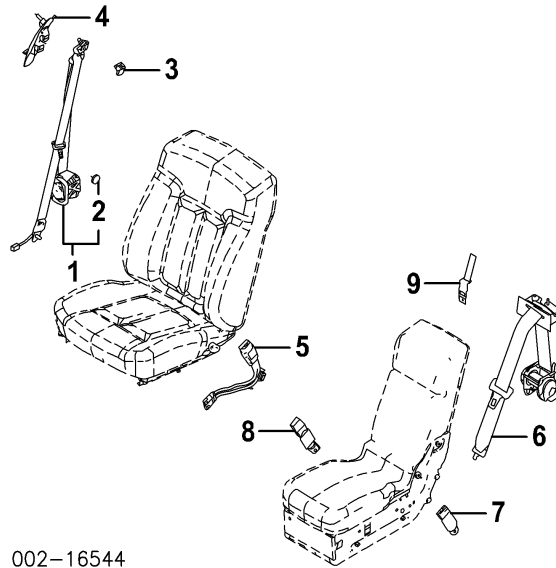
#w/Seat Assy Removed					
2	Hook, Seat (2) (a)	L	8C3Z 26061B44 EA	\$85.12	
3	Cover, Support (a)				
	Outer	L	9L3Z 1661351 DA	\$17.73	
	Inner	L	9L3Z 1661350 TA	\$11.07	
(a) Black listed, Order by Application					
4	Support, Seat				
	Outer	L	9L3Z 1662527 A	\$71.07	
	Inner	L	AL3Z 1662526 B	\$90.72	
5	Latch, Seat	L	9L3Z 1667412 A	\$187.02	
6	Strut, Seat Lift	L	9L3Z 16624B75 A	\$43.32	
7	Handle, Seat (a)	L	9L3Z 1662419 CA	\$42.30	
		L	BL3Z 1662419 AG	\$12.77	
		L	DL3Z 1662419 AB	\$40.07	
8	Bezel, Handle (a)	L	9L3Z 1667460 CA	\$9.90	
		L	BL3Z 1667460 AB	\$9.77	
(a) Black listed, Order by Application					
9	Cover, Cushion (a)				
	w/Armrest	L	AL3Z 1663805 LB	\$831.75	#.9
		L	BL3Z 1663805 LB	\$743.42	#.9
	w/o Armrest				
	Vinyl	L	9L3Z 1663805 KA	\$688.53	#.9
		L	BL3Z 1663805 KA	\$713.13	#.9
	Cloth	L	9L3Z 1663805 AA	\$517.47	#.9
		L	BL3Z 1663805 EB	\$568.37	#.9
	Leather	L	AL3Z 1663805 BB	\$776.77	#.9
		L	BL3Z 1663805 DB	\$764.42	#.9
(a) Order by Application					
	Element, Cushion Heater	L	AL3Z 14D696 B	\$46.88	
10	Pad, Cushion	L	AL3Z 1663841 B	\$215.35	#.9
#R&R Complete, w/Seat Assy Removed, Includes R&R Seat Cushion Frame					
11	Cover, Seat Back (a)				
	w/Armrest	L	9L3Z 1666601 VA	\$566.88	#1.0
	w/o Armrest				
	Vinyl	L	9L3Z 1666601 KA	\$572.15	#1.0
	Cloth	L	9L3Z 1666601 AA	\$385.42	#1.0
	Leather	L	AL3Z 1666601 CB	\$727.65	#1.0
(a) Order by Application					
	Element, Seat Back Heater	10-14	AL3Z 14D696 C	\$31.77	
12	Pad, Seat Back				
	w/Armrest				
	2009	L	AL3Z 1666801 B	\$235.82	#1.0
	2010	L	AL3Z 1666801 A	\$231.32	#1.0
	2011-12				
	Lariat, King Ranch Model	L	BL3Z 1666801 C	\$247.42	#1.0
	Platinum, Lariat Limited Model	L	BL3Z 1666801 C	\$247.42	#1.0
	Harley-Davidson Model	L	BL3Z 1666801 D	\$260.43	#1.0
	2013-14	L	BL3Z 1666801 C	\$247.42	#1.0
	w/o Armrest				
	XL, XLT, XTR Model	L	9L3Z 1666801 A	\$235.20	#1.0
		L	BL3Z 1666801 A	\$245.32	#1.0

FX2, FX4 Model	L	9L3Z 1666801 B	\$240.48	#1.0
	L	BL3Z 1666801 B	\$276.33	#1.0
13 Frame, Seat Back w/Armrest	L	9L3Z 16613A39 B	\$321.67	#1.0
	L	AL3Z 16613A39 B	\$178.45	#1.0
	L	BL3Z 16613A39 B	\$176.08	#1.0
w/o Armrest	L	9L3Z 16613A39 A	\$297.30	#1.0
	L	AL3Z 16613A39 A	\$152.45	#1.0
	L	BL3Z 16613A39 A	\$134.52	#1.0
#R&R Complete, w/Seat Assy Removed, Includes R&R Headrest				
14 Clip, Seat Back Lock (2)	L	4L3Z 18613F60 AA	\$58.72	
15 Latch, Seat Back	L	AL3Z 9661383 A	\$25.70	
16 Striker, Latch	L	9L3Z 1662440 A	\$33.77	
17 Guide, Headrest (a) (b)				
Locking	L	9L3Z 96610A16 DA	\$9.52	
Non-Locking	L	9L3Z 96610A18 DA	\$9.52	
(a) Black listed, Order by Application				
(b) As Required				
18 Cover, Headrest (a)				
Outer				
Vinyl	L	9L3Z 18501A04 HA	\$271.25	#.2
	L	BL3Z 18501A04 LA	\$269.10	#.2
Cloth	L	9L3Z 18501A04 CA	\$229.05	#.2
	L	AL3Z 18501A04 EA	\$302.83	#.2
Leather	L	9L3Z 18501A04 GA	\$232.48	#.2
	L	BL3Z 18501A04 MB	\$277.67	#.2
Inner				
Vinyl	L	BL3Z 18501A04 AA	\$189.17	#.2
Cloth	L	BL3Z 18501A04 CB	\$184.32	#.2
Leather	L	BL3Z 18501A04 EA	\$180.00	#.2
19 Headrest (a)				
Outer	L	9L3Z 18611A08 A	\$50.38	#.2
	L	AL3Z 18611A08 A	\$74.63	#.2
	L	DU5Z 78611A08 AB	\$116.17	#.2
Inner	L	BL3Z 18611A08 A	\$59.23	#.2
	L	DU5Z 18611A08 A	\$53.00	#.2
(a) Order by Application				
#R&R Complete				
20 Cover, Armrest				
Lariat Model (a)	L	9L3Z 1660508 BA	\$514.17	.2
	L	BL3Z 1660508 AB	\$348.55	.2
	L	DL3Z 1660508 AC		.2
King Ranch Model	L	9L3Z 1660508 FA	\$357.12	.2
	L	DL3Z 1660508 EB	\$254.40	.2
Platinum Model (a)	L	AL3Z 1660508 DB	\$581.25	.2
	L	DL3Z 1660508 DD	\$276.78	.2
Lariat Limited Model (a)	L	DL3Z 1660508 FB	\$186.32	.2
Harley-Davidson Model	L	AL3Z 1660508 AA	\$380.00	.2
	L	BL3Z 1660508 BA	\$354.38	.2
Limited Model	L	DL3Z 1660508 BC		.2
(a) Black listed, Order by Application				
21 Pad, Armrest	L	9L3Z 1667273 A	\$96.87	

22 Bezel, Armrest (a)	L	9L3Z 7E391 CA	\$13.23
<i>(a) Black listed, Order by Application</i>			
23 Bracket, Front Armrest	L	9L3Z 1667336 B	\$16.45
24 Holder, Cup (a)	L	BL3Z 1613562 AB	\$94.12
<i>(a) Order by Application</i>			
25 Bracket, Rear Armrest	L	9L3Z 1667336 A	\$107.62
26 Panel, Seat Back w/Armrest	L	9L3Z 1660508 A	\$80.10
27 Clip, Panel (2)	L	* N803678 S	\$0.40

SEAT BELTS

FRONT



002-16544

1 Belt Assy, Side Seat Regular Cab

2009-10

Black

R CL3Z 15611B08 AB \$328.13 #.4

L CL3Z 15611B09 AE \$217.22 #.4

Camel

R 9L3Z 15611B08 CB \$291.93 #.4

L 9L3Z 15611B09 BB \$242.12 #.4

Stone

R 9L3Z 15611B08 CA \$310.78 #.4

L 9L3Z 15611B09 BA \$257.22 #.4

2011

Adobe

R CL3Z 15611B08 AA \$111.95 #.4

L CL3Z 15611B09 AD \$217.22 #.4

Black

R CL3Z 15611B08 AB \$328.13 #.4

L CL3Z 15611B09 AE \$217.22 #.4

Steel

w/Upgrade Pkg

R CL3Z 15611B08 AB \$328.13 #.4

L CL3Z 15611B09 AE \$217.22 #.4

w/o Upgrade Pkg

R CL3Z 15611B08 AC \$281.05 #.4

L CL3Z 15611B09 AC \$229.62 #.4

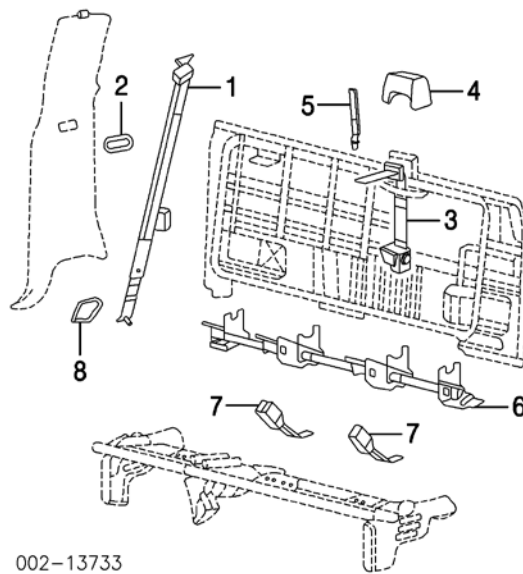
2012-13

Adobe	R	CL3Z 15611B08 AA	\$111.95	#.4
	L	CL3Z 15611B09 AD	\$217.22	#.4
Black	R	CL3Z 15611B08 AB	\$328.13	#.4
	L	CL3Z 15611B09 AE	\$217.22	#.4
Steel				
w/Upgrade Pkg	R	CL3Z 15611B08 AB	\$328.13	#.4
	L	CL3Z 15611B09 AE	\$217.22	#.4
w/o Upgrade Pkg	R	CL3Z 15611B08 AC	\$281.05	#.4
	L	CL3Z 15611B09 AC	\$229.62	#.4
2014				
Adobe	R	CL3Z 15611B08 AA	\$111.95	#.4
	L	CL3Z 15611B09 AD	\$217.22	#.4
Black	R	CL3Z 15611B08 AB	\$328.13	#.4
	L	CL3Z 15611B09 AE	\$217.22	#.4
Steel				
w/Upgrade Pkg	R	CL3Z 15611B08 AB	\$328.13	#.4
	L	CL3Z 15611B09 AE	\$217.22	#.4
w/o Upgrade Pkg	R	CL3Z 15611B08 AC	\$281.05	#.4
	L	CL3Z 15611B09 AF	\$217.22	#.4
#w/Pillar Trim Panel Removed				
Extended Cab				
2009-10				
Black	R	AL3Z 18611B08 AC	\$356.17	#.4
	L	BL3Z 18611B09 AC	\$264.80	#.4
Camel	R	AL3Z 18611B08 AB	\$356.73	#.4
	L	9L3Z 18611B09 BB	\$286.33	#.4
Stone	R	AL3Z 18611B08 AA	\$356.68	#.4
	L	9L3Z 18611B09 BA	\$258.00	#.4
2011				
Adobe	R	BL3Z 18611B08 AA	\$311.42	#.4
	L	BL3Z 18611B09 AA	\$261.23	#.4
Black	R	AL3Z 18611B08 AC	\$356.17	#.4
	L	BL3Z 18611B09 AC	\$264.80	#.4
Steel				
w/Upgrade Pkg	R	AL3Z 18611B08 AC	\$356.17	#.4
	L	BL3Z 18611B09 AC	\$264.80	#.4
w/o Upgrade Pkg	R	BL3Z 18611B08 AB	\$330.60	#.4
	L	BL3Z 18611B09 AB	\$265.78	#.4
2012-14				
Adobe	R	CL3Z 18611B08 AA	\$304.00	#.4
	L	BL3Z 18611B09 AA	\$261.23	#.4
Black	R	CL3Z 18611B08 AB	\$345.60	#.4
	L	BL3Z 18611B09 AC	\$264.80	#.4
Steel				
w/Upgrade Pkg	R	CL3Z 18611B08 AB	\$345.60	#.4
	L	BL3Z 18611B09 AC	\$264.80	#.4
w/o Upgrade Pkg	R	CL3Z 18611B08 AC	\$304.00	#.4
	L	BL3Z 18611B09 AB	\$265.78	#.4
#w/Rear Door Trim Panel Removed				
Crew Cab				
2009-10				

Black	R	CL3Z 16611B08 AB	\$300.43	#.4
	L	CL3Z 16611B09 AB	\$236.15	#.4
Camel	R	9L3Z 16611B08 CB	\$305.92	#.4
	L	9L3Z 16611B09 BB	\$269.45	#.4
Stone	R	9L3Z 16611B08 CA	\$328.92	#.4
	L	9L3Z 16611B09 BA	\$238.35	#.4
2011-14				
Adobe	R	CL3Z 16611B08 AA	\$289.90	#.4
	L	CL3Z 16611B09 AA	\$237.13	#.4
Black	R	CL3Z 16611B08 AB	\$300.43	#.4
	L	CL3Z 16611B09 AB	\$236.15	#.4
Steel				
w/Upgrade Pkg	R	CL3Z 16611B08 AB	\$300.43	#.4
	L	CL3Z 16611B09 AB	\$236.15	#.4
w/o Upgrade Pkg	R	CL3Z 16611B08 AC	\$289.90	#.4
	L	CL3Z 16611B09 AC	\$232.40	#.4
<i>#w/Center Pillar Trim Panel Removed</i>				
2 Button Kit, Seat Belt	R	YR3Z 6365070 AA	\$54.85	
	L	YR3Z 6365070 AA	\$54.85	
<i>Included w/Side Seat Belt Assy</i>				
Pretensioner, Seat Belt-Serviced w/Side Seat Belt Assy				
3 Cover, Anchor (a)	R	9L3Z 1860262 AC	\$7.68	
	L	9L3Z 1860262 AC	\$7.68	
4 Adjuster, Seat Belt (a)	R	9L3Z 15602B82 AC	\$56.33	
	L	9L3Z 15602B82 AC	\$56.33	
<i>(a) Black listed, Order by Application</i>				
5 Buckle, Side Seat Belt				
2009-10				
Black	R	BL3Z 1561202 BC	\$116.07	#.2
	L	BL3Z 1561203 AC	\$111.20	#.2
Camel	R	AL3Z 1561202 AB	\$105.85	#.2
	L	AL3Z 1561203 AB	\$112.10	#.2
Stone	R	AL3Z 1561202 AA	\$95.68	#.2
	L	AL3Z 1561203 AA	\$104.72	#.2
2011-13				
Adobe	R	BL3Z 1561202 BB	\$116.07	#.2
	L	BL3Z 1561203 AB	\$118.92	#.2
Black	R	BL3Z 1561202 BC	\$116.07	#.2
	L	BL3Z 1561203 AC	\$111.20	#.2
Steel				
w/Upgrade Pkg	R	BL3Z 1561202 BC	\$116.07	#.2
	L	BL3Z 1561203 AC	\$111.20	#.2
w/o Upgrade Pkg	R	BL3Z 1561202 BA	\$116.07	#.2
	L	BL3Z 1561203 AA	\$111.20	#.2
2014				
Adobe				
w/King Ranch Model	R	BL3Z 1561202 BD		#.2
	L	CL3Z 1561203 AA	\$122.40	#.2
w/o King Ranch Model	R	BL3Z 1561202 BB	\$116.07	#.2
	L	BL3Z 1561203 AB	\$118.92	#.2

Black				
w/King Ranch Model	R	BL3Z 1561202 BD		#.2
	L	CL3Z 1561203 AA	\$122.40	#.2
w/o King Ranch Model	R	BL3Z 1561202 BC	\$116.07	#.2
	L	BL3Z 1561203 AC	\$111.20	#.2
Steel				
w/Upgrade Pkg	R	BL3Z 1561202 BC	\$116.07	#.2
	L	BL3Z 1561203 AC	\$111.20	#.2
w/o Upgrade Pkg	R	BL3Z 1561202 BA	\$116.07	#.2
	L	BL3Z 1561203 AA	\$111.20	#.2
<i>#w/Seat Assy Removed</i>				
Belt, Center Seat				
6	Shoulder			
	Regular Cab			
	2009-10			
		9L3Z 15611B64 BC	\$166.45	#.3
		9L3Z 15611B64 BB	\$160.05	#.3
		9L3Z 15611B64 BA	\$172.00	#.3
	2011-14			
		CL3Z 15611B64 BB	\$150.08	#.3
		CL3Z 15611B64 BC	\$150.08	#.3
		CL3Z 15611B64 AA	\$166.05	#.3
		CL3Z 15611B64 BA	\$150.08	#.3
	Split Bench Seat			
	40/20/40 Split Seat (a)			
<i>(a) Order by Application</i>				
<i>#w/Back Trim Panel Removed</i>				
7	Lap			
	Regular Cab			
		09-10	9L3Z 15611B76 BD	\$80.12 #.2
		09-10	9L3Z 15611B76 BC	\$80.12 #.2
		09-10	9L3Z 15611B76 BB	\$83.20 #.2
	Extended Cab, Crew Cab			
		09-10	9L3Z 18611B76 BD	\$87.62 #.2
		09-10	9L3Z 18611B76 BC	\$87.72 #.2
		09-10	9L3Z 18611B76 BB	\$91.18 #.2
8	Buckle, Center Seat Belt			
	2009-10			
			BL3Z 15611B70 AC	\$69.63 #.2
			9L3Z 15611B70 BC	\$85.12 #.2
			9L3Z 15611B70 BB	\$85.35 #.2
	2011-14			
			BL3Z 15611B70 AB	\$69.63 #.2
			BL3Z 15611B70 AC	\$69.63 #.2
			BL3Z 15611B70 AC	\$69.63 #.2
			BL3Z 15611B70 AC	\$69.63 #.2
			BL3Z 15611B70 AA	\$69.63 #.2
<i>#w/Center Seat Assy Removed</i>				
9	Anchor, Child Seat			
			9L3Z 18613D74 AD	\$0.02

REAR



002-13733

1 Belt, Side Seat

2009-10

Black

R	CL3Z 18611B68 AC	\$131.63	#.3
L	CL3Z 18611B68 AC	\$131.63	#.3

Camel

R	AL3Z 18611B68 AB	\$181.48	#.3
L	AL3Z 18611B68 AB	\$181.48	#.3

Stone

R	AL3Z 18611B68 AA	\$200.48	#.3
L	AL3Z 18611B68 AA	\$200.48	#.3

2011-12

Adobe

R	CL3Z 18611B68 AB	\$131.63	#.3
L	CL3Z 18611B68 AB	\$131.63	#.3

Black

R	CL3Z 18611B68 AC	\$131.63	#.3
L	CL3Z 18611B68 AC	\$131.63	#.3

Steel

w/Upgrade Pkg

R	CL3Z 18611B68 AC	\$131.63	#.3
L	CL3Z 18611B68 AC	\$131.63	#.3

w/o Upgrade Pkg

R	CL3Z 18611B68 AA	\$131.63	#.3
L	CL3Z 18611B68 AA	\$131.63	#.3

2013-14

Adobe

R	CL3Z 18611B68 AB	\$131.63	#.3
L	CL3Z 18611B68 AB	\$131.63	#.3

Black

R	CL3Z 18611B68 AC	\$131.63	#.3
L	CL3Z 18611B68 AC	\$131.63	#.3

Steel

w/Upgrade Pkg

R	CL3Z 18611B68 AC	\$131.63	#.3
L	CL3Z 18611B68 AC	\$131.63	#.3

w/o Upgrade Pkg

R	CL3Z 18611B68 AA	\$131.63	#.3
L	CL3Z 18611B68 AA	\$131.63	#.3

#w/Rear Pillar Trim Panel Removed

2 Bezel, Trim Panel-See Cab Section

3 Belt, Center Seat

Extended Cab

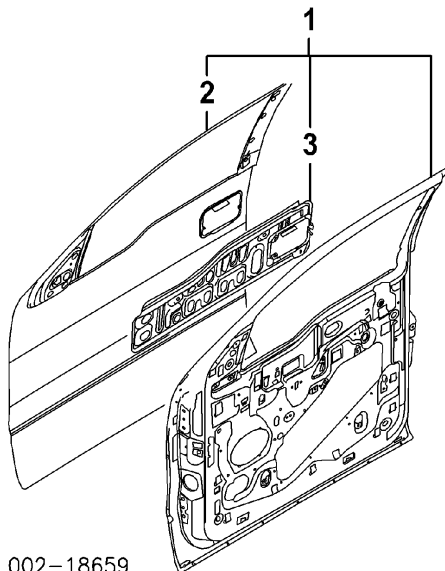
2009-10				
Black		CL3Z 18611B64 AC	\$145.83	#.5
Camel		9L3Z 18611B64 BB	\$151.18	#.5
Stone		9L3Z 18611B64 BA	\$155.05	#.5
2011-14				
Adobe		CL3Z 18611B64 AB	\$145.83	#.5
Black		CL3Z 18611B64 AC	\$145.83	#.5
Steel				
w/Upgrade Pkg		CL3Z 18611B64 AC	\$145.83	#.5
w/o Upgrade Pkg		CL3Z 18611B64 AA	\$145.72	#.5
#w/Seat Back Assy Removed				
Crew Cab				
2009				
Black		CL3Z 16611B64 AC	\$146.25	#.5
Camel		AL3Z 16611B64 AB	\$174.60	#.5
Stone		9L3Z 16611B64 BA	\$142.95	#.5
2010				
Black		CL3Z 16611B64 AC	\$146.25	#.5
Camel		AL3Z 16611B64 AB	\$174.60	#.5
Stone		AL3Z 16611B64 AA	\$174.60	#.5
2011-14				
Adobe		CL3Z 16611B64 AB	\$146.42	#.5
Black		CL3Z 16611B64 AC	\$146.25	#.5
Steel				
w/Upgrade Pkg		CL3Z 16611B64 AC	\$146.25	#.5
w/o Upgrade Pkg		CL3Z 16611B64 AA	\$146.40	#.5
#w/Seat Assy Removed				
4 Bezel, Support-See Cab Section				
5 Anchor, Child Seat (3)		9L3Z 18613D74 AD	\$0.02	
6 Bracket Assy, Mounting-See Rear Seat Section				
7 Buckle, Seat Belt				
Extended Cab				
Right				
2009-10				
Black	R	CL3Z 1860044 AC	\$24.17	#.2
Camel	R	9L3Z 1860044 BB	\$97.38	#.2
Stone	R	9L3Z 1860044 BA	\$95.83	#.2
2011-14				
Adobe	R	CL3Z 1860044 AB	\$81.90	#.2
Black	R	CL3Z 1860044 AC	\$24.17	#.2
Steel				
w/Upgrade Pkg	R	CL3Z 1860044 AC	\$24.17	#.2
w/o Upgrade Pkg	R	CL3Z 1860044 AA	\$64.52	#.2
Left-Serviced w/Center Seat Belt				
Crew Cab				
2009-10				
Black	R	9L3Z 1660044 BC	\$83.05	#.2
	L	9L3Z 1660045 BC	\$95.58	#.2
Camel	R	9L3Z 1660044 BB	\$84.10	#.2
	L	9L3Z 1660045 BB	\$112.48	#.2
Stone	R	9L3Z 1660044 BA	\$87.37	#.2

2011-14	L	9L3Z 1660045 BA	\$102.23	#.2
Adobe	R	BL3Z 1660044 BB	\$67.73	#.2
	L	BL3Z 1660044 BB	\$67.73	#.2
Black	R	9L3Z 1660044 BC	\$83.05	#.2
	L	9L3Z 1660044 BC	\$83.05	#.2
Steel				
w/Upgrade Pkg	R	9L3Z 1660044 BC	\$83.05	#.2
	L	9L3Z 1660044 BC	\$83.05	#.2
w/o Upgrade Pkg	R	BL3Z 1660044 BA	\$67.25	#.2
	L	BL3Z 1660044 BA	\$67.25	#.2
<i>#w/Seat Removed</i>				
8 Cover, Lower				
Crew Cab	09-10	R	4L3Z 16616B00 AAA	\$8.85
		L	4L3Z 16616B00 BAA	\$8.85

FRONT DOOR

Use Procedure Explanations 16 and 28
with the following text.

SHEET METAL



Refinish Door Outside				
Regular Cab	R			2.4
	L			2.4
Extended Cab	R			2.4
	L			2.4
Crew Cab	R			2.4
	L			2.4
Add for Jambs & Interior	R			1.0
	L			1.0
Add for Jambs	R			.5
	L			.5
R&I Door Assy	R			#1.5

#Includes R&I Trim Panel

Add to R&I/R&R Front Side Impact Sensor

L		#1.5
R		.3
L		.3

NOTE: Manufacturer advises foam fillers have been utilized within panels in this section. Refer to vehicle body/service repair manuals for recommended replacement and safety precautions.

NOTE: Manufacturer Advises that the Reinforcement Beam is Ultra High Strength Steel and should never be repaired.

1 Shell Assy, Door

Regular Cab

R	AL3Z 1820124 C	\$847.25	#5.0
---	----------------	----------	------

Extended Cab

L	AL3Z 1820125 C	\$963.32	#5.0
---	----------------	----------	------

R	AL3Z 1820124 C	\$847.25	#5.0
---	----------------	----------	------

L	AL3Z 1820125 C	\$963.32	#5.0
---	----------------	----------	------

Crew Cab

R	AL3Z 1820124 C	\$847.25	#5.0
---	----------------	----------	------

L	AL3Z 1820125 C	\$963.32	#5.0
---	----------------	----------	------

#Includes R&I/R&R Rear View Mirror Assy

2 Panel, Door Repair

R	9L3Z 1820200 B	\$498.85	#7.8
---	----------------	----------	------

L	9L3Z 1820201 B	\$498.85	#7.8
---	----------------	----------	------

#Includes R&I/R&R Rear View Mirror Assy, Door Glass & Glass Run

3 Reinf, Door

R	9L3Z 1821124 A	\$61.43	#
---	----------------	---------	---

L	9L3Z 1821125 A	\$61.32	#
---	----------------	---------	---

#Included in R&R Repair Panel

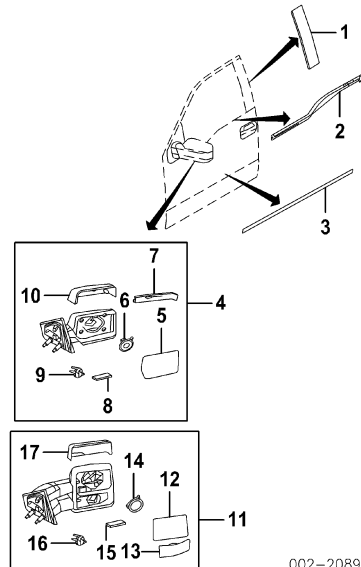
Adhesive, Panel Bonding (a)

(a) As Required

Included w/Door Shell Assy

TA 1	\$49.98	
------	---------	--

EXTERIOR TRIM



Refinish Mirror Assy

R		#.7
---	--	-----

L		#.7
---	--	-----

#Includes Necessary Masking

Refinish Mirror Cover

R		.5
---	--	----

L		.5
---	--	----

R&I Outer Belt Moulding

R		#1.0
---	--	------

		L			#1.0
#Includes R&I Rear View Mirror & Trim Panel					
R&I Rear View Mirror		R			#.7
		L			#.7
#Includes R&I Trim Panel					
1 Moulding, Sash (Adhesive)					
2009		R	6L3Z 1520554 AA	\$60.95	#.2
		L	6L3Z 1520555 AA	\$60.95	#.2
2010					
XL, STX, XLT, XTR Model		R	6L3Z 1520554 AA	\$60.95	#.2
		L	6L3Z 1520555 AA	\$60.95	#.2
FX2, FX4, Lariat, King Ranch Model		R	6L3Z 1520554 AA	\$60.95	#.2
		L	6L3Z 1520555 AA	\$60.95	#.2
Platinum, Harley-Davidson Model		R	6L3Z 1520554 ZA	\$102.70	#.2
		L	6L3Z 1520555 ZA	\$102.70	#.2
2011					
XL, STX, XLT, XTR Model		R	6L3Z 1520554 AA	\$60.95	#.2
		L	6L3Z 1520555 AA	\$60.95	#.2
FX2, FX4, Lariat, King Ranch Model		R	6L3Z 1520554 AA	\$60.95	#.2
		L	6L3Z 1520555 AA	\$60.95	#.2
Lariat Limited Model		R	6L3Z 1520554 ZA	\$102.70	#.2
		L	6L3Z 1520555 ZA	\$102.70	#.2
Platinum, Harley-Davidson Model		R	6L3Z 1520554 ZA	\$102.70	#.2
		L	6L3Z 1520555 ZA	\$102.70	#.2
2012					
XL, STX, XLT, XTR Model		R	6L3Z 1520554 AA	\$60.95	#.2
		L	6L3Z 1520555 AA	\$60.95	#.2
FX2, FX4, Lariat, King Ranch Model		R	6L3Z 1520554 AA	\$60.95	#.2
		L	6L3Z 1520555 AA	\$60.95	#.2
Platinum, Harley-Davidson Model		R	6L3Z 1520554 ZA	\$102.70	#.2
		L	6L3Z 1520555 ZA	\$102.70	#.2
2013-14					
XL, STX, XLT, XTR, Tremor Model		R	6L3Z 1520554 AA	\$60.95	#.2
		L	6L3Z 1520555 AA	\$60.95	#.2
FX2, FX4, Lariat, King Ranch Model		R	6L3Z 1520554 AA	\$60.95	#.2
		L	6L3Z 1520555 AA	\$60.95	#.2
Platinum Model		R	6L3Z 1520554 ZA	\$102.70	#.2
		L	6L3Z 1520555 ZA	\$102.70	#.2
Limited Model		R	6L3Z 1520554 AA	\$60.95	#.2
		L	6L3Z 1520555 AA	\$60.95	#.2
#w/Outer Belt Moulding Removed					
2 Moulding, Outer Belt		R	6L3Z 1821452 A	\$87.62	#.3
		L	6L3Z 1821453 A	\$98.17	#.3
#w/Rear View Mirror & Trim Panel Removed					
3 Moulding, Side (Adhesive)					
Platinum Model		R	9L3Z 1620878 A	\$131.53	.2
		L	9L3Z 1620879 A	\$131.53	.2
4 Mirror Assy, Standard Rear View					
Manual	09-10	R	9L3Z 17682 AA	\$135.14	#.3
		L	9L3Z 17683 AA	\$135.14	#.3
	11-14	R	BL3Z 17682 AA	\$231.73	#.3

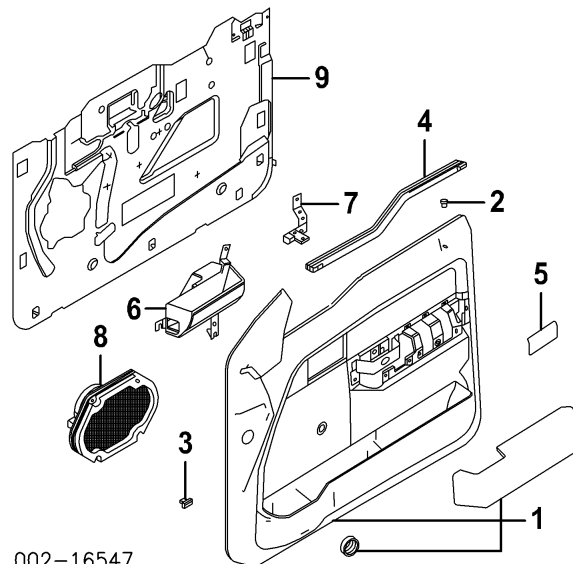
Power		L	BL3Z 17683 AA	\$261.42	#.3
w/Puddle Lamp					
2009-10		R	9L3Z 17682 EB	\$477.67	#.3
		L	9L3Z 17683 EB	\$666.77	#.3
2011-14					
Chrome		R	BL3Z 17682 EA	\$615.95	#.3
		L	BL3Z 17683 EA	\$912.12	#.3
Paint to Match		R	BL3Z 17682 FAPTM	\$629.98	#.3
		L	BL3Z 17683 FAPTM	\$925.42	#.3
w/o Puddle Lamp					
Heated					
Chrome	09-10	R	9L3Z 17682 GA	\$302.08	#.3
		L	9L3Z 17683 GA	\$477.97	#.3
	11-14	R	BL3Z 17682 GA	\$393.73	#.3
		L	BL3Z 17683 GA	\$691.03	#.3
Black	09-10	R	9L3Z 17682 CB	\$227.53	#.3
		L	9L3Z 17683 CB	\$227.53	#.3
	11-14	R	BL3Z 17682 CA	\$317.48	#.3
		L	BL3Z 17683 CA	\$619.17	#.3
Paint to Match	09-10	R	9L3Z 17682 DBPTM	\$296.03	#.3
		L	9L3Z 17683 DBPTM	\$472.00	#.3
	11-14	R	BL3Z 17682 DAPTM	\$383.98	#.3
		L	BL3Z 17683 DAPTM	\$682.18	#.3
Non-Heated					
Black	09-10	R	9L3Z 17682 BB	\$181.44	#.3
		L	9L3Z 17683 BB	\$181.44	#.3
	11-14	R	BL3Z 17682 BA	\$243.30	#.3
		L	BL3Z 17683 BA	\$296.43	#.3
Paint to Match	11-14	R	BL3Z 17682 HAPTM	\$358.90	#.3
		L	BL3Z 17683 HAPTM	\$358.92	#.3
#w/Trim Panel Removed					
5 Glass, Mirror					
Man Mirror	09-10	R	4L3Z 17K707 AB	\$58.43	.2
		L	4L3Z 17K707 AA	\$56.42	.2
	11-14	R	BL3Z 17K707 A	\$51.82	.2
		L	BL3Z 17K707 D	\$101.77	.2
Pwr Mirror					
w/Puddle Lamp	09-10	R	7L3Z 17K707 A	\$44.42	.2
		L	7L3Z 17K707 K	\$268.37	.2
	11-14	R	BL3Z 17K707 C	\$61.72	.2
		L	BL3Z 17K707 F	\$362.92	.2
w/o Puddle Lamp					
Heated	09-10	R	4L3Z 17K707 DA	\$40.22	.2
		L	7L3Z 17K707 L	\$267.22	.2
	11-14	R	BL3Z 17K707 B	\$61.72	.2
		L	BL3Z 17K707 E	\$362.92	.2
Non-Heated	09-10	R	4L3Z 17K707 AB	\$58.43	.2
		L	4L3Z 17K707 AA	\$56.42	.2
	11-14	R	BL3Z 17K707 A	\$51.82	.2
		L	BL3Z 17K707 D	\$101.77	.2

6 Motor, Mirror w/Memory	R	6U5Z 17D696 D	\$92.72		
	L	6U5Z 17D696 D	\$92.72		
	w/o Memory	R	6U5Z 17D696 C	\$68.58	
		L	6U5Z 17D696 C	\$68.58	
7 Lens, Signal Man Mirror	R	9L3Z 17E748 AA	\$15.88		
	L	9L3Z 17E749 AA	\$15.88		
	Pwr Mirror Heated	R	9L3Z 17E748 BA	\$26.55	
		L	9L3Z 17E749 BA	\$26.55	
	Non-Heated	R	9L3Z 17E748 AA	\$15.88	
		L	9L3Z 17E749 AA	\$15.88	
	8 Lamp, Signal Man Mirror	R	7L3Z 13B374 B	\$15.48	
		L	7L3Z 13B374 B	\$15.48	
Pwr Mirror		R	7L3Z 13B374 A	\$61.92	
		L	7L3Z 13B375 A	\$60.35	
9 Lamp, Puddle	R	3F1Z 13B375 AA	\$32.87		
	L	3F1Z 13B375 AA	\$32.87		
10 Cover, Mirror Chrome	R	9L3Z 17D742 CA	\$87.50	#.2	
	L	9L3Z 17D743 CA	\$87.50	#.2	
	Black	R	9L3Z 17D742 AA	\$28.52	#.2
		L	9L3Z 17D743 AA	\$27.07	#.2
	Paint to Match	R	9L3Z 17D742 BAPTM	\$72.27	#.2
		L	9L3Z 17D743 BAPTM	\$72.27	#.2
	<i>Included w/Standard Rear View Mirror Assy</i>				
	11 Mirror Assy, Telescopic Rear View Heated	Chrome	R	9L3Z 17682 EC	\$525.49
L			9L3Z 17683 EC	\$525.49	#.3
Black 2009-10		R	7L3Z 17682 AE	\$246.71	#.3
		L	7L3Z 17683 AE	\$246.71	#.3
2011-12 w/Memory		R	BL3Z 17682 DA	\$693.23	#.3
		L	BL3Z 17683 DA	\$687.88	#.3
w/o Memory		R	7L3Z 17682 AE	\$246.71	#.3
		L	7L3Z 17683 AE	\$246.71	#.3
2013-14		R	DL3Z 17682 AA	\$1,097.33	#.3
		L	DL3Z 17683 AA	\$1,097.08	#.3
Paint to Match		R	9L3Z 17682 CAPTM	\$488.70	#.3
		L	9L3Z 17683 CAPTM	\$484.43	#.3
Non-Heated		R	9L3Z 17682 AC	\$224.69	#.3
		L	9L3Z 17683 AC	\$222.33	#.3
<i>#w/Trim Panel Removed</i>					
12 Glass, Mirror (b) Upper		Heated	09-12 R	7L3Z 17K707 C	\$52.02
	L		7L3Z 17K707 F	\$45.82	.2

	13-14	R	DL3Z 17K707 A	\$153.55	.2
		L	DL3Z 17K707 B	\$181.23	.2
Non-Heated		R	7L3Z 17K707 C	\$52.02	.2
		L	7L3Z 17K707 G	\$37.90	.2
13 Lower	09-12	R	7L3Z 17K707 E	\$49.60	.2
		L	7L3Z 17K707 H	\$49.60	.2
	13-14	R	9C3Z 17K707 A	\$103.57	.2
		L	9C3Z 17K707 B	\$103.57	.2
14 Motor, Mirror (b)	09-12	R	6U5Z 17D696 D	\$92.72	
		L	6U5Z 17D696 D	\$92.72	
	13-14	R	7C3Z 17D696 A	\$91.90	
		L	7C3Z 17D696 B	\$83.20	
15 Lamp, Signal Heated Mirror		R	7L3Z 13B374 A	\$61.92	
		L	7L3Z 13B375 A	\$60.35	
Non-Heated Mirror		R	7L3Z 13B374 B	\$15.48	
		L	7L3Z 13B374 B	\$15.48	
16 Lamp, Puddle (b)		R	3F1Z 13B375 AA	\$32.87	
		L	3F1Z 13B375 AA	\$32.87	
17 Cover, Mirror (b) Chrome		R	8L3Z 17D742 AA	\$37.88	#.2
		L	8L3Z 17D743 AA	\$37.88	#.2
Black		R	7L3Z 17D742 AA	\$37.23	#.2
		L	7L3Z 17D743 AA	\$37.23	#.2
Paint to Match		R	7L3Z 17D742 BA	\$86.90	#.2
		L	7L3Z 17D743 BA	\$86.90	#.2

(b) Included w/Telescopic Rear View Mirror Assy
#w/Mirror Glass Removed

INTERIOR TRIM INTERIOR TRIM MANUAL WINDOWS



002-16547

R&I Door Trim Panel

R
L

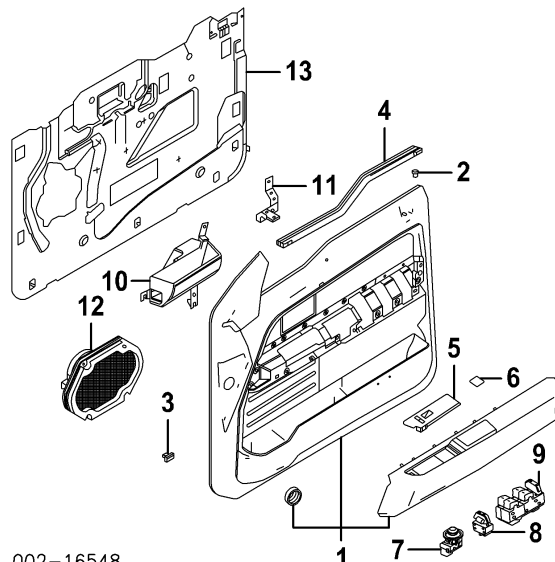
.4
.4

NOTE: All Parts in this section are included in R&R Trim Panel unless noted otherwise.

1 Panel, Door Trim	09-10	R	9L3Z 1823942 AA	\$325.80	.5
		L	9L3Z 1823943 AA	\$326.05	.5
	11-14	R	BL3Z 1823942 KA	\$316.57	.5
		L	BL3Z 1823943 KA	\$358.28	.5
2 Bezel, Lock Knob	R	F2UZ 1521999 A	\$1.36		
	L	F2UZ 1521999 A	\$1.36		
3 Grommet, Trim Panel (a)	R	* W710459 S300	\$5.09		
	L	* W710459 S300	\$5.09		
Order by Application (a) As Required					
4 Weatherstrip, Inner Belt	R	9L3Z 1521456 A	\$42.57	#.1	
	L	9L3Z 1521456 A	\$42.57	#.1	
#w/Trim Panel Removed					
5 Cover, Hole	09-10	R	9L3Z 15237W10 AB	\$17.70	
		L	9L3Z 15237W10 AB	\$17.70	
	11-14	R	9L3Z 15237W10 CA	\$6.63	
		L	9L3Z 15237W10 CA	\$6.63	
6 Absorber, Energy	R	9L3Z 1540380 A	\$50.50	#.2	
	L	9L3Z 1540380 B	\$57.47	#.2	
7 Bracket, Panel	R	9L3Z 1524116 A	\$23.17	#.2	
	L	9L3Z 1524117 A	\$21.38	#.2	
8 Speaker, Door	R	9L3Z 18808 A	\$28.00	#.2	
	L	9L3Z 18808 A	\$28.00	#.2	
9 Shield, Moisture	R	9L3Z 18237A04 A	\$82.02	#	
	L	9L3Z 18237A05 A	\$82.02	#	

#w/Trim Panel Removed, Not Included in R&R Trim Panel

INTERIOR TRIM INTERIOR TRIM POWER WINDOWS 2009-10



002-16548

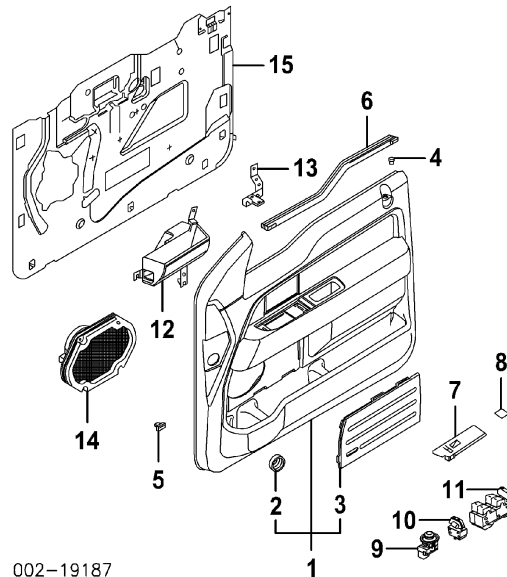
R&I Door Trim Panel	R			.4
	L			.4
NOTE: All Parts in this section are included in R&R Trim Panel unless noted otherwise.				
1 Panel, Door Trim				
w/Sony Sound System				
STX Model	R	9L3Z 1823942 GA	\$503.75	.5
	L	9L3Z 1823943 GA	\$504.17	.5
XLT, XTR Model				
Camel	R	9L3Z 1823942 HA	\$503.75	.5
	L	9L3Z 1823943 HA	\$504.17	.5
Stone	R	9L3Z 1823942 GA	\$503.75	.5
	L	9L3Z 1823943 GA	\$504.17	.5
Lariat Model				
Black	R	AL3Z 1823942 JB	\$477.08	.5
	L	AL3Z 1823943 JB	\$477.33	.5
Camel	R	AL3Z 1823942 JA	\$477.08	.5
	L	AL3Z 1823943 JA	\$478.02	.5
King Ranch Model	R	AL3Z 1623942 DA	\$476.93	.5
	L	AL3Z 1623943 DA	\$477.33	.5
Platinum Model				
Black	R	AL3Z 1623942 CB	\$529.47	.5
	L	AL3Z 1623943 CB	\$529.80	.5
Stone	R	AL3Z 1623942 CA	\$529.47	.5
	L	AL3Z 1623943 CA	\$529.80	.5
Harley-Davidson Model	R	AL3Z 1623942 BA	\$568.43	.5
	L	AL3Z 1623943 BA	\$572.85	.5
w/o Sony Sound System				
XL, STX Model	R	9L3Z 1823942 BA	\$407.02	.5
	L	9L3Z 1823943 BA	\$407.30	.5
XLT, XTR Model				
Camel	R	9L3Z 1823942 CA	\$407.02	.5
	L	9L3Z 1823943 CA	\$407.30	.5
Stone	R	9L3Z 1823942 BA	\$407.02	.5
	L	9L3Z 1823943 BA	\$407.30	.5
FX2, FX4 Model	R	AL3Z 1823942 EA	\$474.12	.5
	L	AL3Z 1823943 EA	\$474.45	.5
Lariat Model				
Black	R	AL3Z 1823942 FB	\$473.85	.5
	L	AL3Z 1823943 FB	\$466.72	.5
Camel	R	AL3Z 1823942 FA	\$474.45	.5
	L	AL3Z 1823943 FA	\$466.05	.5
King Ranch Model	R	9L3Z 1623942 CA	\$474.12	.5
	L	9L3Z 1623943 CA	\$478.80	.5
Platinum Model				
Black	R	9L3Z 1623942 BA	\$532.88	.5
	L	9L3Z 1623943 BA	\$609.02	.5
Stone	R	9L3Z 1623942 AA	\$532.88	.5
	L	9L3Z 1623943 AA	\$609.02	.5
2 Bezel, Lock Knob	R	F2UZ 1521999 A	\$1.36	

	L	F2UZ 1521999 A	\$1.36	
3 Grommet, Trim Panel (a)	R	* W710459 S300	\$5.09	
	L	* W710459 S300	\$5.09	
<i>Order by Application</i>				
<i>(a) As Required</i>				
4 Weatherstrip, Inner Belt	R	9L3Z 1521456 A	\$42.57	#.1
	L	9L3Z 1521456 A	\$42.57	#.1
<i>#w/Trim Panel Removed</i>				
5 Bezel, Switch				
Right				
XL, STX Model	R	9L3Z 14528 AA	\$37.80	.2
XLT, XTR Model				
Camel	R	9L3Z 14528 BA	\$20.73	.2
Stone	R	9L3Z 14528 AA	\$37.80	.2
FX2, FX4 Model	R	9L3Z 14528 CA	\$25.68	.2
Lariat Model				
Black	R	9L3Z 14528 CA	\$25.68	.2
Camel	R	9L3Z 14528 EA	\$29.08	.2
King Ranch Model	R	9L3Z 14528 BA	\$20.73	.2
Platinum Model	R	9L3Z 14528 FA	\$33.88	.2
Harley-Davidson Model	R	9L3Z 14528 CA	\$25.68	.2
Left				
Regular Cab				
Black	L	9L3Z 14527 GC	\$42.47	.2
Camel	L	9L3Z 14527 GB	\$42.47	.2
Stone	L	9L3Z 14527 GA	\$30.60	.2
Extended Cab				
XLT, XTR Model				
Camel	L	9L3Z 14527 BA	\$22.58	.2
Stone	L	9L3Z 14527 AA	\$37.30	.2
FX4 Model	L	9L3Z 14527 CA	\$22.58	.2
Lariat Model				
Black	L	9L3Z 14527 CA	\$22.58	.2
Camel	L	9L3Z 14527 EA	\$29.52	.2
Crew Cab				
XL Model	L	9L3Z 14527 AA	\$37.30	.2
XLT, XTR Model				
Camel	L	9L3Z 14527 BA	\$22.58	.2
Stone	L	9L3Z 14527 AA	\$37.30	.2
FX2, FX4 Model	L	9L3Z 14527 CA	\$22.58	.2
Lariat Model				
Black	L	9L3Z 14527 CA	\$22.58	.2
Camel	L	9L3Z 14527 EA	\$29.52	.2
King Ranch Model	L	9L3Z 14527 BA	\$22.58	.2
Platinum Model	L	9L3Z 14527 FA	\$29.40	.2
Harley-Davidson Model	L	9L3Z 14527 CA	\$22.58	.2
6 Cover, Hole	R	9L3Z 15237W24 CA	\$15.37	
	L	9L3Z 15237W24 CA	\$15.37	
<i>Black listed, Order by Application</i>				
7 Switch, Mirror				
XL, XLT, Lariat Model	L	7L3Z 17B676 AA	\$38.28	

XTR, FX2 Model	L	7L3Z 17B676 AA	\$38.28	
King Ranch, Platinum Model	L	7L1Z 17B676 AA	\$35.90	
Harley-Davidson Model	L	7L3Z 17B676 AA	\$38.28	
8 Switch, Door Lock	R	9L3Z 14028 AA	\$62.16	#.2
	L	9L3Z 14028 AA	\$62.16	#.2
9 Switch, Window				
Regular Cab	R	9L3Z 14529 AC	\$60.54	#.2
	L	9L3Z 14529 CC	\$116.04	#.2
Extended Cab, Crew Cab	R	9L3Z 14529 AC	\$60.54	#.2
	L	9L3Z 14529 AE	\$145.80	#.2
<i>#R&R One Side Complete, Includes R&R Switch Bezel</i>				
10 Absorber, Energy	R	9L3Z 1540380 A	\$50.50	#.2
	L	9L3Z 1540380 B	\$57.47	#.2
11 Bracket, Panel	R	9L3Z 1524116 A	\$23.17	#.2
	L	9L3Z 1524117 A	\$21.38	#.2
12 Speaker, Door				
w/Sony Sound System	R	CL3Z 18808 D	\$53.86	#.2
	L	CL3Z 18808 D	\$53.86	#.2
w/o Sony Sound System	R	9L3Z 18808 A	\$28.00	#.2
	L	9L3Z 18808 A	\$28.00	#.2
13 Shield, Moisture	R	9L3Z 18237A04 A	\$82.02	#
	L	9L3Z 18237A05 A	\$82.02	#

#w/Trim Panel Removed, Not Included in R&R Trim Panel

INTERIOR TRIM INTERIOR TRIM POWER WINDOWS 2011-12



002-19187

R&I Door Trim Panel

R
L

.4
.4

NOTE: All Parts in this section are included in R&R Trim Panel unless noted otherwise.

1 Panel Assy, Door Trim
w/Sony Sound System

XLT, XTR Model				
Adobe	R	BL3Z 1823942 PB	\$517.18	.5
	L	BL3Z 1823943 PB	\$517.40	.5
Steel	R	BL3Z 1823942 PA	\$516.47	.5
	L	BL3Z 1823943 PA	\$516.67	.5
FX2, FX4 Model	R	BL3Z 1823942 CA	\$509.40	.5
	L	BL3Z 1823943 CA	\$476.87	.5
Lariat Model				
Adobe	R	BL3Z 1823942 AA	\$463.50	.5
	L	BL3Z 1823943 AA	\$494.87	.5
Black	R	BL3Z 1823942 AB	\$380.58	.5
	L	BL3Z 1823943 AB	\$494.87	.5
Black	L	BL3Z 1623943 CA	\$494.80	.5
King Ranch Model	R	BL3Z 1623942 CA	\$494.43	.5
	L	BL3Z 1623943 CA	\$494.80	.5
Platinum Model				
Black	R	BL3Z 1623942 BA	\$520.08	.5
	L	BL3Z 1623943 BA	\$549.03	.5
Steel	R	BL3Z 1623942 BB	\$548.68	.5
	L	BL3Z 1623943 BB	\$549.03	.5
Lariat Limited Model	R	BL3Z 1823942 FA	\$511.20	.5
	L	BL3Z 1823943 FA	\$511.20	.5
Harley-Davidson Model	R	BL3Z 1623942 AA	\$511.02	.5
	L	BL3Z 1623943 AA	\$514.93	.5
w/o Sony Sound System				
XL, STX Model	R	BL3Z 1823942 LA	\$416.65	.5
	L	BL3Z 1823943 LA	\$409.93	.5
XLT, XTR Model				
Adobe	R	BL3Z 1823942 LB	\$416.65	.5
	L	BL3Z 1823943 LB	\$409.93	.5
Steel				
w/Upgrade Pkg	R	BL3Z 1823942 EA	\$498.37	.5
	L	BL3Z 1823943 EA	\$509.48	.5
w/o Upgrade Pkg	R	BL3Z 1823942 LA	\$416.65	.5
	L	BL3Z 1823943 LA	\$409.93	.5
FX2, FX4 Model	R	BL3Z 1823942 DA	\$463.88	.5
	L	BL3Z 1823943 DA	\$506.93	.5
Lariat Model				
Adobe	R	BL3Z 1823942 BA	\$491.98	.5
	L	BL3Z 1823943 BA	\$482.83	.5
Black	R	BL3Z 1823942 BB	\$466.33	.5
	L	BL3Z 1823943 BB	\$482.83	.5
2 Seal, Air Duct	R	9L3Z 19E882 B	\$31.10	
	L	9L3Z 19E882 B	\$31.10	
3 Grille, Speaker	R	AL3Z 18978 DC	\$42.34	.1
	L	AL3Z 18979 DC	\$42.34	.1
<i>Included w/Door Trim Panel Assy</i>				
4 Bezel, Lock Knob	R	F2UZ 1521999 A	\$1.36	
	L	F2UZ 1521999 A	\$1.36	
5 Grommet, Trim Panel (a) (b)	R	* W710459 S300	\$5.09	
	L	* W710459 S300	\$5.09	

(a) Order by Application

(b) As Required

6 Weatherstrip, Inner Belt

R	9L3Z 1521456 A	\$42.57	#.1
L	9L3Z 1521456 A	\$42.57	#.1

#w/Trim Panel Removed

7 Bezel, Switch

Regular Cab

STX Model

R	BL3Z 14528 AB	\$18.72	.2
L	BL3Z 14527 BB	\$18.72	.2

XLT, XTR Model

Adobe

R	BL3Z 14528 AA	\$17.95	.2
L	BL3Z 14527 BA	\$17.95	.2

Black

R	9L3Z 14528 CA	\$25.68	.2
L	9L3Z 14527 GC	\$42.47	.2

Steel

R	BL3Z 14528 AB	\$18.72	.2
L	BL3Z 14527 BB	\$18.72	.2

Extended Cab

STX Model

R	BL3Z 14528 AB	\$18.72	.2
L	BL3Z 14527 AB	\$19.75	.2

XLT, XTR Model

Adobe

R	BL3Z 14528 AA	\$17.95	.2
L	BL3Z 14527 AA	\$14.88	.2

Black

R	9L3Z 14528 CA	\$25.68	.2
L	9L3Z 14527 CA	\$22.58	.2

Steel

w/Upgrade Pkg

R	9L3Z 14528 CA	\$25.68	.2
L	9L3Z 14527 CA	\$22.58	.2

w/o Upgrade Pkg

R	BL3Z 14528 AB	\$18.72	.2
L	BL3Z 14527 AB	\$19.75	.2

FX2, FX4 Model

R	9L3Z 14528 CA	\$25.68	.2
L	9L3Z 14527 CA	\$22.58	.2

Lariat Model

Adobe

R	9L3Z 14528 EA	\$29.08	.2
L	9L3Z 14527 EA	\$29.52	.2

Black

R	9L3Z 14528 CA	\$25.68	.2
L	9L3Z 14527 CA	\$22.58	.2

Crew Cab

XL, STX Model

R	BL3Z 14528 AB	\$18.72	.2
L	BL3Z 14527 AB	\$19.75	.2

XLT, XTR Model

Adobe

R	BL3Z 14528 AA	\$17.95	.2
L	BL3Z 14527 AA	\$14.88	.2

Black

R	9L3Z 14528 CA	\$25.68	.2
L	9L3Z 14527 CA	\$22.58	.2

Steel

w/Upgrade Pkg

R	9L3Z 14528 CA	\$25.68	.2
L	9L3Z 14527 CA	\$22.58	.2

w/o Upgrade Pkg

R	BL3Z 14528 AB	\$18.72	.2
L	BL3Z 14527 AB	\$19.75	.2

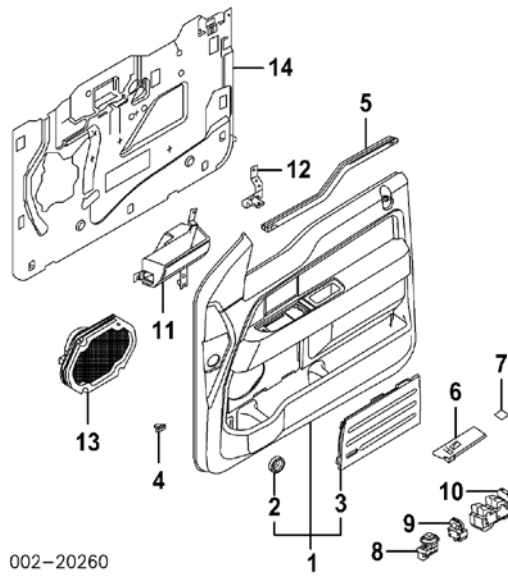
FX2, FX4 Model

R	9L3Z 14528 CA	\$25.68	.2
L	9L3Z 14527 CA	\$22.58	.2

Lariat Model				
Adobe	R	9L3Z 14528 EA	\$29.08	.2
	L	9L3Z 14527 EA	\$29.52	.2
Black	R	9L3Z 14528 CA	\$25.68	.2
	L	9L3Z 14527 CA	\$22.58	.2
King Ranch Model	R	BL3Z 14528 AA	\$17.95	.2
	L	BL3Z 14527 AA	\$14.88	.2
Platinum Model	R	9L3Z 14528 FA	\$33.88	.2
	L	9L3Z 14527 FA	\$29.40	.2
Lariat Limited Model	R	9L3Z 14528 CA	\$25.68	.2
	L	9L3Z 14527 CA	\$22.58	.2
Harley-Davidson Model	R	9L3Z 14528 CA	\$25.68	.2
	L	9L3Z 14527 CA	\$22.58	.2
8 Cover, Hole (a)	R	9L3Z 15237W24 CA	\$15.37	
	L	9L3Z 15237W24 CA	\$15.37	
<i>(a) Black listed, Order by Application</i>				
9 Switch, Mirror				
XL, XLT, Lariat Model	L	7L3Z 17B676 AA	\$38.28	
STX, XTR, FX2 Model	L	7L3Z 17B676 AA	\$38.28	
King Ranch, Platinum Model	L	7L1Z 17B676 AA	\$35.90	
Lariat Limited Model	L	7L3Z 17B676 AA	\$38.28	
Harley-Davidson Model	L	7L3Z 17B676 AA	\$38.28	
10 Switch, Door Lock	R	9L3Z 14028 AA	\$62.16	#.2
	L	9L3Z 14028 AA	\$62.16	#.2
11 Switch, Window				
Regular Cab	R	BL3Z 14529 AA	\$37.00	#.2
	L	BL3Z 14529 CA	\$95.12	#.2
Extended Cab, Crew Cab	R	BL3Z 14529 AA	\$37.00	#.2
	L	BL3Z 14529 BA	\$40.20	#.2
<i>#R&R One Side Complete, Includes R&R Switch Bezel</i>				
12 Absorber, Energy	R	9L3Z 1540380 A	\$50.50	#.2
	L	9L3Z 1540380 B	\$57.47	#.2
13 Bracket, Panel	R	9L3Z 1524116 A	\$23.17	#.2
	L	9L3Z 1524117 A	\$21.38	#.2
14 Speaker, Door				
w/Sony Sound System	R	CL3Z 18808 D	\$53.86	#.2
	L	CL3Z 18808 D	\$53.86	#.2
w/o Sony Sound System	R	9L3Z 18808 A	\$28.00	#.2
	L	9L3Z 18808 A	\$28.00	#.2
15 Shield, Moisture	R	9L3Z 18237A04 A	\$82.02	#
	L	9L3Z 18237A05 A	\$82.02	#

#w/Trim Panel Removed, Not Included in R&R Trim Panel

INTERIOR TRIM
INTERIOR TRIM POWER
WINDOWS 2013-14



002-20260

R&I Door Trim Panel

R	.4
L	.4

NOTE: All Parts in this section are included in R&R Trim Panel unless noted otherwise.

1 Panel Assy, Door Trim (a)

XLT, XTR Model

R	BL3Z 1823942 LB	\$416.65	.5
---	-----------------	----------	----

L	BL3Z 1823943 LB	\$409.93	.5
---	-----------------	----------	----

FX2 Model

R	CL3Z 1823942 BA	\$496.30	.5
---	-----------------	----------	----

L	CL3Z 1823943 BA	\$487.90	.5
---	-----------------	----------	----

FX4 Model

R	DL3Z 1823942 AC	\$520.12	.5
---	-----------------	----------	----

L	DL3Z 1823943 AB	\$538.58	.5
---	-----------------	----------	----

Tremor Model

14

R	CL3Z 1823942 CB	\$478.02	.5
---	-----------------	----------	----

L	CL3Z 1823943 CB	\$474.38	.5
---	-----------------	----------	----

Lariat Model

R	DL3Z 1623942 BB	\$600.10	.5
---	-----------------	----------	----

L	DL3Z 1823943 RC	\$572.93	.5
---	-----------------	----------	----

King Ranch Model

R	DL3Z 1623942 BA	\$521.57	.5
---	-----------------	----------	----

L	DL3Z 1623943 BB	\$600.48	.5
---	-----------------	----------	----

Platinum Model

R	DL3Z 1623942 AA	\$533.70	.5
---	-----------------	----------	----

L	DL3Z 1623943 AA	\$534.08	.5
---	-----------------	----------	----

Limited Model

R	DL3Z 1823942 GA	\$590.85	.5
---	-----------------	----------	----

L	DL3Z 1823943 GA	\$566.47	.5
---	-----------------	----------	----

(a) Order by Application

2 Seal, Air Duct

R	9L3Z 19E882 B	\$31.10	
---	---------------	---------	--

L	9L3Z 19E882 B	\$31.10	
---	---------------	---------	--

3 Grille, Speaker (a)

w/Sony Sound System

R	9L3Z 18978 BB	\$47.14	.1
---	---------------	---------	----

L	9L3Z 18979 BB	\$47.14	.1
---	---------------	---------	----

w/o Sony Sound System

R	9L3Z 18978 AB	\$47.14	.1
---	---------------	---------	----

L	9L3Z 18979 AB	\$47.14	.1
---	---------------	---------	----

(a) Order by Application

Included w/Door Trim Panel Assy

4 Grommet, Trim Panel

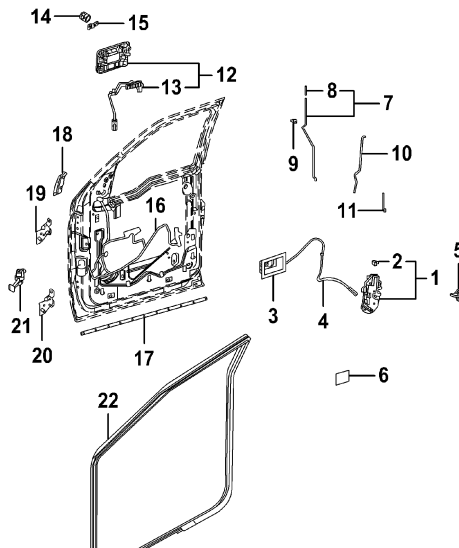
R	9L3Z 15237A22 A	\$3.42	
---	-----------------	--------	--

L	9L3Z 15237A22 A	\$3.42	
---	-----------------	--------	--

5 Weatherstrip, Inner Belt	R	9L3Z 1521456 A	\$42.57	#.1
	L	9L3Z 1521456 A	\$42.57	#.1
#w/Trim Panel Removed				
6 Bezel, Switch (a)				
Regular Cab	R	9L3Z 14528 CA	\$25.68	.2
	L	9L3Z 14527 GC	\$42.47	.2
Extended Cab, Crew Cab	R	9L3Z 14528 CA	\$25.68	.2
	L	9L3Z 14527 CA	\$22.58	.2
7 Cover, Hole (a)	R	9L3Z 15237W24 CA	\$15.37	
	L	9L3Z 15237W24 CA	\$15.37	
8 Switch, Mirror (a)		7L3Z 17B676 AA	\$38.28	
(a) Order by Application				
9 Switch, Door Lock	R	9L3Z 14028 AA	\$62.16	#.2
	L	9L3Z 14028 AA	\$62.16	#.2
10 Switch, Window				
Regular Cab	R	BL3Z 14529 AA	\$37.00	#.2
	L	BL3Z 14529 CA	\$95.12	#.2
Extended Cab, Crew Cab	R	BL3Z 14529 AA	\$37.00	#.2
	L	BL3Z 14529 BA	\$40.20	#.2
#R&R One Side Complete, Includes R&R Switch Bezel				
11 Absorber, Energy	R	9L3Z 1540380 A	\$50.50	
	L	9L3Z 1540380 B	\$57.47	
12 Bracket, Panel	R	9L3Z 1524116 A	\$23.17	
	L	9L3Z 1524117 A	\$21.38	
13 Speaker, Door (a)				
w/Sony Sound System	R	CL3Z 18808 D	\$53.86	#.2
	L	CL3Z 18808 D	\$53.86	#.2
w/o Sony Sound System	R	CL3Z 18808 B	\$11.84	#.2
	L	CL3Z 18808 B	\$11.84	#.2
(a) Order by Application				
14 Shield, Moisture	R	9L3Z 18237A04 A	\$82.02	#
	L	9L3Z 18237A05 A	\$82.02	#

#w/Trim Panel Removed, Not Included in R&R Trim Panel

HARDWARE



Refinish Outside Handle	R			.5
	L			.5
Refinish Hinge				
Upper	R			.5
	L			.5
Lower	R			.5
	L			.5
R&I Outside Handle	R			#.7
	L			#.7
#Includes R&I Trim Panel				
1 Latch Assy				
Man Locks	R	9L3Z 5421812 B	\$100.38	#.3
	L	9L3Z 5421813 B	\$102.28	#.3
Pwr Locks	R	BL3Z 5421812 A	\$99.23	#.3
	L	9L3Z 5421813 A	\$115.75	#.3
2 Retainer, Latch Rod	R	8S4Z 5421952 A	\$9.93	
	L	8S4Z 5421952 A	\$9.93	
Included w/Latch Assy				
3 Handle, Inside				
2009				
Man Locks	R	9L3Z 1522600 AB	\$20.45	#.2
	L	9L3Z 1522601 AB	\$20.45	#.2
Pwr Locks	R	9L3Z 1522600 CB	\$46.13	#.2
	L	9L3Z 1522601 CB	\$41.93	#.2
2010				
Man Locks	R	9L3Z 1522600 AB	\$20.45	#.2
	L	9L3Z 1522601 AB	\$20.45	#.2
Pwr Locks				
w/Harley-Davidson Model	R	DL3Z 1522600 HA	\$109.95	#.2
	L	AL3Z 1522601 BB	\$45.85	#.2
w/o Harley-Davidson Model	R	9L3Z 1522600 CB	\$46.13	#.2
	L	9L3Z 1522601 CB	\$41.93	#.2
2011				
Man Locks (a)	R	9L3Z 1522600 AC	\$42.32	#.2
	L	9L3Z 1522601 AC	\$42.32	#.2
Pwr Locks				
w/Harley-Davidson Model	R	AL3Z 1522600 BC	\$101.10	#.2
	L	AL3Z 1522601 BC	\$106.67	#.2
w/o Harley-Davidson Model	R	9L3Z 1522600 CB	\$46.13	#.2
	L	9L3Z 1522601 CB	\$41.93	#.2
2012				
Man Locks (a)	R	9L3Z 1522600 AC	\$42.32	#.2
	L	9L3Z 1522601 AC	\$42.32	#.2
Pwr Locks				
XL, STX Model	R	CL3Z 1522600 FA	\$64.52	#.2
	L	CL3Z 1522601 FA	\$64.52	#.2
XLT Model (a)	R	CL3Z 1522600 GA	\$64.52	#.2
	L	CL3Z 1522601 GA	\$64.52	#.2
FX2, FX4 Model (a)	R	CL3Z 1522600 EA	\$62.07	#.2
	L	CL3Z 1522601 EA	\$65.48	#.2

Lariat, King Ranch, Platinum Model	R	9L3Z 1522600 CB	\$46.13	#.2	
	L	9L3Z 1522601 CB	\$41.93	#.2	
Harley-Davidson Model	R	CL3Z 1522600 EA	\$62.07	#.2	
	L	CL3Z 1522601 EA	\$65.48	#.2	
2013-14					
Man Locks (a)	R	9L3Z 1522600 AC	\$42.32	#.2	
	L	9L3Z 1522601 AC	\$42.32	#.2	
Pwr Locks					
XL, STX Model	R	CL3Z 1522600 FA	\$64.52	#.2	
	L	CL3Z 1522601 FA	\$64.52	#.2	
XLT Model (a)	R	CL3Z 1522600 GA	\$64.52	#.2	
	L	CL3Z 1522601 GA	\$64.52	#.2	
FX2, FX4, Tremor Model (a)	R	CL3Z 1522600 EA	\$62.07	#.2	
	L	CL3Z 1522601 EA	\$65.48	#.2	
Lariat, King Ranch, Platinum Model	R	9L3Z 1522600 CB	\$46.13	#.2	
	L	9L3Z 1522601 CB	\$41.93	#.2	
Limited Model	R	DL3Z 1522600 HA	\$109.95	#.2	
	L	DL3Z 1522601 HA	\$109.98	#.2	
<i>(a) Order by Application</i>					
<i>#w/Trim Panel Removed, Included in R&R Trim Panel</i>					
4 Cable, Handle	R	9L3Z 63221A00 A	\$30.72		
	L	9L3Z 63221A00 A	\$30.72		
5 Striker, Front Door	R	9L3Z 1522008 A	\$26.83	.2	
	L	9L3Z 1522008 A	\$26.83	.2	
6 Cover, Inside Handle	R	9L3Z 1631458 AA	\$6.95		
	L	9L3Z 1631458 AA	\$6.95		
7 Rod Assy, Lock	R	9L3Z 1521852 AA	\$14.75		
	L	9L3Z 1521853 AA	\$14.98		
8 Knob, Lock (b)	R	D9ZZ 6621850 B	\$5.28		
	L	D9ZZ 6621850 B	\$5.28		
<i>(b) Included w/Lock Rod Assy</i>					
9 Clip, Rod	R	* N807736 S	\$4.28		
	L	* N807736 S	\$4.28		
10 Rod, Handle	R	9L3Z 1522152 A	\$9.87		
	L	9L3Z 1522153 A	\$11.25		
11 Rod, Lock Cyl	R	9L3Z 1522134 A	\$6.25		
	L	9L3Z 1522135 A	\$5.85		
12 Handle Assy, Outside Door w/Chrome Insert					
Flat Black					
w/Keyless Entry	R	CL3Z 1522404 AA	\$109.40	#.4	
	L	CL3Z 1522405 AA	\$179.22	#.4	
w/o Keyless Entry	R	CL3Z 1522404 AA	\$109.40	#.4	
	L	CL3Z 1522405 BA	\$116.08	#.4	
Black					
Code UA	09	R	9L3Z 1522404 DA	\$154.07	#.4
		L	9L3Z 1522405 DG	\$247.50	#.4
Code UH	10-14	R	CL3Z 1522404 DM	\$109.92	#.4
		L	CL3Z 1522405 DM	\$203.87	#.4
Blue Jeans, (Code N1)	13-14	R	CL3Z 1522404 DB	\$111.98	#.4
		L	CL3Z 1522405 DB	\$204.05	#.4

Brilliant Silver, (Code UI)	09	R	9L3Z 1522404 DE	\$153.17	#.4
		L	9L3Z 1522405 DD	\$247.80	#.4
Dark Blue, (Code DX)	09-12	R	CL3Z 1522404 DK	\$109.92	#.4
		L	CL3Z 1522405 DK	\$200.30	#.4
Golden Bronze, (Code JQ)	2011	R	9L3Z 1522404 DT	\$125.68	#.4
		L	CL3Z 1522405 DH	\$200.30	#.4
2012	To 5-1-12	R	9L3Z 1522404 DT	\$125.68	#.4
		L	CL3Z 1522405 DH	\$200.30	#.4
From 5-1-12	R	CL3Z 1522404 DH	\$123.12	#.4	
	L	CL3Z 1522405 DH	\$200.30	#.4	
Green Gem, (Code W6)	2012	R	9L3Z 1522404 DW	\$123.67	#.4
		L	AL3Z 1522405 DC	\$202.37	#.4
From 4-27-12	R	CL3Z 1522404 DJ	\$109.92	#.4	
	L	CL3Z 1522405 DJ	\$203.87	#.4	
2013-14	R	CL3Z 1522404 DJ	\$109.92	#.4	
	L	CL3Z 1522405 DJ	\$203.87	#.4	
Ingot Silver, (Code UX)	10-14	R	CL3Z 1522404 DD	\$109.92	#.4
		L	CL3Z 1522405 DD	\$200.30	#.4
Kodiak Brown, (Code J1)	13-14	R	CL3Z 1522404 DA	\$111.98	#.4
		L	CL3Z 1522405 DA	\$204.05	#.4
Oxford White, (Code YZ)		R	CL3Z 1522404 DL	\$109.92	#.4
		L	CL3Z 1522405 DL	\$200.30	#.4
Pale Adobe, (Code LQ)	2011	R	9L3Z 1522404 DS	\$140.78	#.4
		L	CL3Z 1522405 DG	\$203.87	#.4
2012	To 5-1-12	R	9L3Z 1522404 DS	\$140.78	#.4
		L	CL3Z 1522405 DG	\$203.87	#.4
From 5-1-12	R	CL3Z 1522404 DG	\$123.22	#.4	
	L	CL3Z 1522405 DG	\$203.87	#.4	
2013-14	R	CL3Z 1522404 DG	\$123.22	#.4	
	L	CL3Z 1522405 DG	\$203.87	#.4	
Pueblo Gold, (Code G3)	10	R	9L3Z 1522404 DL	\$172.78	#.4
		L	9L3Z 1522405 DK	\$260.63	#.4
Race Red, (Code PQ)	2011	R	9L3Z 1522404 DR	\$125.68	#.4
		L	9L3Z 1522405 DP	\$217.73	#.4
2012	To 4-23-12	R	9L3Z 1522404 DR	\$125.68	#.4
		L	9L3Z 1522405 DP	\$217.73	#.4
From 4-23-12	R	CL3Z 1522404 DE	\$111.65	#.4	
	L	CL3Z 1522405 DE	\$203.87	#.4	
2013-14	R	CL3Z 1522404 DE	\$111.65	#.4	
	L	CL3Z 1522405 DE	\$203.87	#.4	
Red Candy Code U6					

2010		R	9L3Z 1522404 DP	\$154.35	#.4
		L	9L3Z 1522405 DM	\$223.65	#.4
2011					
To 7-11-11		R	9L3Z 1522404 DP	\$154.35	#.4
		L	9L3Z 1522405 DM	\$223.65	#.4
Code RZ					
2011					
From 7-11-11		R	CL3Z 1522404 DF	\$109.92	#.4
		L	CL3Z 1522405 DF	\$199.88	#.4
2012		R	CL3Z 1522404 DF	\$109.92	#.4
		L	CL3Z 1522405 DF	\$199.88	#.4
Royal Red, (Code UK)	09-10	R	9L3Z 1522404 DG	\$146.22	#.4
		L	9L3Z 1522405 DF	\$247.88	#.4
Ruby Red, (Code RR)	13-14	R	CL3Z 1522404 DC	\$111.98	#.4
		L	CL3Z 1522405 DC	\$204.05	#.4
Sterling Gray, (Code UJ)		R	CL3Z 1522404 DN	\$111.65	#.4
		L	CL3Z 1522405 DN	\$200.30	#.4
White Chocolate, (Code PV)	09	R	9L3Z 1522404 DD	\$154.45	#.4
		L	9L3Z 1522405 DC	\$223.47	#.4
White Platinum, (Code UG)	10-14	R	CL3Z 1522404 DP	\$111.65	#.4
		L	CL3Z 1522405 DP	\$203.87	#.4
w/o Chrome Insert					
Black					
w/Keyless Entry		R	CL3Z 1522404 AB	\$77.87	#.4
		L	CL3Z 1522405 AB	\$149.68	#.4
w/o Keyless Entry		R	CL3Z 1522404 BA	\$53.17	#.4
		L	CL3Z 1522405 BB	\$73.05	#.4
Paint to Match		R	CL3Z 1522404 CAPTM	\$101.97	#.4
		L	CL3Z 1522405 CAPTM	\$194.37	#.4
#w/Trim Panel Removed					
13 Pad, Keyless Entry (d)		L	AL3Z 14A626 AA	\$93.83	#.1
(d) Included w/Outside Door Handle Assy					
#w/Trim Panel & Outer Door Handle Removed					
14 Cylinder, Door Lock	09-11	R	7C3Z 1521990 A	\$65.13	#.1
		L	7C3Z 1521990 A	\$65.13	#.1
	12-14	R	8L3Z 1521990 C	\$91.30	#.1
		L	8L3Z 1521990 C	\$91.30	#.1
#w/Trim Panel & Outer Door Handle Removed, Included in R&R Outside Handle					
15 Lever, Lock Cyl		R	YL3Z 1521970 AB	\$6.20	
		L	YL3Z 1521971 AB	\$6.98	
16 Harness, Front Door Wiring					
Dearborn Plant					
Man Windows	09	R	9L3Z 14630 AB	\$47.03	
		L	9L3Z 14631 AB	\$37.68	
	10	R	9L3Z 14630 AA	\$48.47	
		L	9L3Z 14631 AA	\$48.77	
	11-14	R	BL3Z 14630 A	\$20.23	
		L	BL3Z 14631 A	\$20.32	
Pwr Windows					
w/Memory	09	R	9L3Z 14630 DB	\$92.43	
		L	9L3Z 14631 DB	\$144.37	

	10	R	9L3Z 14630 DA	\$79.63
		L	9L3Z 14631 DA	\$127.85
	11-14	R	BL3Z 14630 C	\$41.20
		L	BL3Z 14631 C	\$59.60
w/o Memory	09	R	9L3Z 14630 CB	\$104.58
		L	9L3Z 14631 CB	\$129.60
	10	R	9L3Z 14630 CA	\$71.67
		L	9L3Z 14631 CA	\$103.62
	11-14	R	BL3Z 14630 B	\$50.45
		L	BL3Z 14631 B	\$51.87

Kansas City Plant-See Cab Section

17 Seal, Lower-See Cab Section

18 Weatherstrip, Corner (On Door)

19 Hinge, Upper Door

20 Hinge, Lower Door

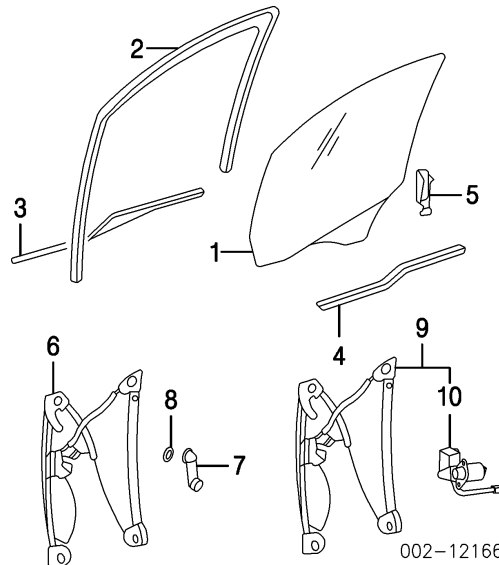
#w/Door Removed

21 Check, Door

#w/Trim Panel Removed

22 W/Strip, Front Door Opng-See Cab Section

GLASS & PARTS



1 Glass, Front Door
Ford

NAGS

2 Run, Glass

#w/Door Glass Removed

	R	4L3Z 1821410 AA	\$245.38	1.0
	L	4L3Z 1821411 AA	\$242.17	1.0
	R	DD10464GTN	\$180.95	1.0
	L	DD10465GTN	\$180.95	1.0
	R	9L3Z 1521536 A	\$131.82	#.3
	L	9L3Z 1521536 A	\$131.82	#.3

3 Moulding, Outer Belt-See Exterior Trim Section

4 Weatherstrip, Inner Belt-See Interior Trim Section

5 Retainer, Rear

R 9L3Z 15222A00 A \$34.48

L 9L3Z 15222A01 A \$38.53

6 Regulator, Man Window

R BL3Z 1523200 CA \$102.52 #.3

L BL3Z 1523201 CA \$100.82 #.3

7 Handle, Regulator
Man Windows

R F37Z 1023342 A \$20.07 .1

L F37Z 1023342 A \$20.07 .1

8 Plate, Handle
Man Windows
2009

To 11-5-08 R E9TZ 1023370 A \$5.73

L E9TZ 1023370 A \$5.73

From 11-5-08 R 9C2Z 5423370 AA \$8.50

L 9C2Z 5423370 AA \$8.50

2010-14 R 9C2Z 5423370 AA \$8.50

L 9C2Z 5423370 AA \$8.50

9 Regulator, Power Window

09-10 R 9L3Z 1523200 C \$112.13 #.3

L 9L3Z 1523201 C \$111.35 #.3

11-14 R BL3Z 1523200 E \$149.45 #.3

L BL3Z 1523201 D \$144.30 #.3

#w/Door Glass Removed

10 Motor, Regulator-Serviced w/Power Window
Regulator

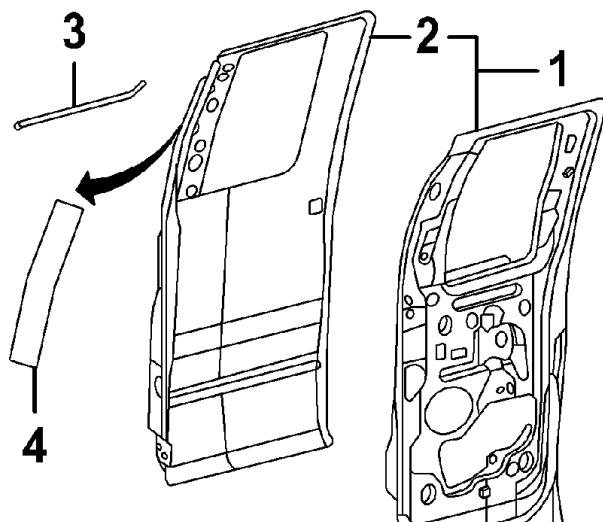
REAR DOOR

Use Procedure Explanations 16 and 28
with the following text.

SHEET METAL/EXTERIOR TRIM

SHEET METAL/EXTERIOR TRIM

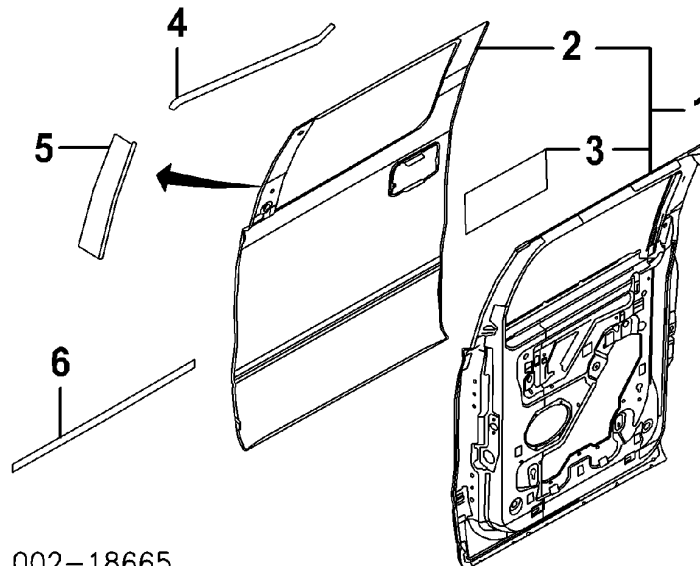
EXTENDED CAB



6/10

Refinish Door Outside	R			2.1
	L			2.1
Add for Jambs & Interior	R			1.0
	L			1.0
Add for Jambs	R			.5
	L			.5
R&I Door Assy	R			#1.4
	L			#1.4
<i>#Includes R&I Lower Trim Panel</i>				
R&I Outer Belt Moulding	R			.2
	L			.2
<i>Add to R&R Door Shell</i>				
w/Power Window	R			.3
	L			.3
1 Shell Assy, Door	R	AL3Z 1824630 A	\$756.90	4.3
	L	AL3Z 1824631 A	\$854.95	4.3
2 Panel, Door Repair	R	9L3Z 1824700 A	\$424.90	#6.5
	L	9L3Z 1824701 A	\$424.90	#6.5
<i>#Includes R&R Rear Door Glass & Glass Run</i>				
Adhesive, Panel Bonding (a)		TA 1	\$49.98	
<i>(a) As Required</i>				
<i>Included w/Door Shell Assy</i>				
3 Moulding, Outer Belt	R	6L3Z 1825596 A	\$85.95	.2
	L	6L3Z 1825597 A	\$86.20	.2
4 Moulding, Sash (Adhesive)	R	6L3Z 18255A34 AA	\$60.83	#.2
	L	6L3Z 18255A35 AA	\$61.67	#.2

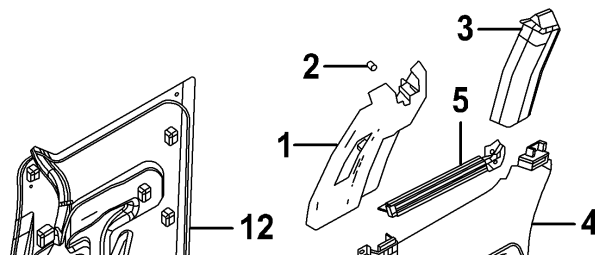
#w/Outer Belt Moulding Removed
SHEET METAL/EXTERIOR TRIM
SHEET METAL/EXTERIOR TRIM
CREW CAB

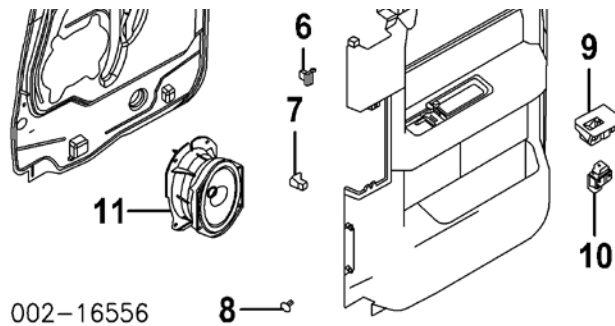


002-18665

Refinish Door Outside	R			2.4
	L			2.4
Add for Jambs & Interior	R			1.0
	L			1.0
Add for Jambs	R			.5
	L			.5
R&I Door Assy	R			#1.4
	L			#1.4
#Includes R&I Lower Trim Panel				
R&I Outer Belt Moulding	R			.2
	L			.2
NOTE: Manufacturer advises foam fillers have been utilized within panels in this section. Refer to vehicle body/service repair manuals for recommended replacement and safety precautions.				
NOTE: Manufacturer Advises that the Reinforcement Beam is Ultra High Strength Steel and should never be repaired.				
1 Shell Assy, Door	R	AL3Z 1624630 B	\$843.92	5.5
	L	AL3Z 1624631 B	\$843.92	5.5
2 Panel, Door Repair	R	AL3Z 1624700 A	\$419.02	#7.0
	L	AL3Z 1624701 A	\$419.02	#7.0
#Includes R&R Rear Door Glass & Glass Run				
3 Insulator, Door	R	4L3Z 18203A16 AA	\$12.18	
	L	4L3Z 18203A16 AA	\$12.18	
Adhesive, Bonding (a)		TA 1	\$49.98	
(a) As Required				
Included w/Door Shell Assy				
4 Moulding, Outer Belt	R	6L3Z 1625596 A	\$85.85	.2
	L	6L3Z 1625597 A	\$85.58	.2
5 Moulding, Sash (Adhesive)				
XL, XLT, XTR, FX2 Model	R	6L3Z 16255A34 AA	\$70.37	#.2
	L	6L3Z 16255A35 AA	\$70.48	#.2
Tremor, FX4, Lariat, King Ranch Model	R	6L3Z 16255A34 AA	\$70.37	#.2
	L	6L3Z 16255A35 AA	\$70.48	#.2
Lariat Limited, Limited Model	R	5L3Z 16255A34 AA	\$105.00	#.2
	L	5L3Z 16255A35 AA	\$105.23	#.2
Platinum, Harley-Davidson Model	R	5L3Z 16255A34 AA	\$105.00	#.2
	L	5L3Z 16255A35 AA	\$105.23	#.2
#w/Outer Belt Moulding Removed				
6 Moulding, Side (Adhesive)				
Platinum Model	R	9L3Z 1625532 A	\$106.53	.2
	L	9L3Z 1625533 A	\$106.53	.2

INTERIOR TRIM INTERIOR TRIM EXTENDED CAB 2009-10





002-16556

R&I Lower Trim Panel	R			#.6
	L			#.6
#Includes R&I/R&R Upper Trim				
R&I Upper Trim Panel Front	R			.2
	L			.2
Rear	R			.1
	L			.1
<i>NOTE: All Parts in this section are included in R&R Trim Panel unless noted otherwise.</i>				
1 Panel, Front Upper Trim				
Black	R	9L3Z 1825504 CA	\$61.93	.2
	L	9L3Z 1825505 CA	\$46.98	.2
Camel				
XLT Model	R	9L3Z 1825504 AB	\$49.90	.2
	L	9L3Z 1825505 AB	\$68.70	.2
Lariat Model	R	9L3Z 1825504 BA	\$58.17	.2
	L	9L3Z 1825505 BA	\$68.57	.2
Stone	R	9L3Z 1825504 AB	\$49.90	.2
	L	9L3Z 1825505 AB	\$68.70	.2
2 Clip, Trim Panel				
Type 1 (a)	R	* W701882 S424	\$4.10	
	L	* W701882 S424	\$4.10	
Type 2	R	9L3Z 18310A90 A	\$4.10	
	L	9L3Z 18310A90 A	\$4.10	
<i>(a) As Required</i>				
3 Panel, Rear Upper Trim				
Black	R	9L3Z 1825504 FA	\$28.07	.1
	L	9L3Z 1825505 FA	\$26.85	.1
Camel				
XLT Model	R	9L3Z 1825504 GA	\$45.62	.1
	L	9L3Z 1825505 GA	\$48.20	.1
Lariat Model	R	9L3Z 1825504 EA	\$33.20	.1
	L	5L3Z 1825505 EA	\$33.20	.1
Stone	R	9L3Z 1825504 GA	\$45.62	.1
	L	9L3Z 1825505 GA	\$48.20	.1
4 Panel, Lower Trim				
2009				
Black				
FX4 Model	R	9L3Z 1827406 DA	\$350.52	#.5
	L	9L3Z 1827407 DA	\$349.38	#.5
Lariat Model	R	AL3Z 1827406 DB	\$339.07	#.5

	L	AL3Z 1827407 DB	\$338.02	#.5
Camel				
XLT Model	R	9L3Z 1827406 CA	\$233.57	#.5
	L	9L3Z 1827407 CA	\$268.55	#.5
Lariat Model	R	AL3Z 1827406 DA	\$291.05	#.5
	L	AL3Z 1827407 DA	\$270.90	#.5
Stone				
Fixed Windows	R	9L3Z 1827406 AA	\$246.03	#.5
	L	9L3Z 1827407 AA	\$223.97	#.5
Pwr Windows	R	9L3Z 1827406 BA	\$379.20	#.5
	L	9L3Z 1827407 BA	\$230.58	#.5
2010				
Black				
FX2, FX4 Model				
To 1-13-10	R	9L3Z 1827406 DA	\$350.52	#.5
	L	9L3Z 1827407 DA	\$349.38	#.5
From 1-13-10	R	AL3Z 1827406 CA	\$346.35	#.5
	L	AL3Z 1827407 CA	\$346.35	#.5
Lariat Model	R	AL3Z 1827406 DB	\$339.07	#.5
	L	AL3Z 1827407 DB	\$338.02	#.5
Camel				
XLT Model	R	9L3Z 1827406 CA	\$233.57	#.5
	L	9L3Z 1827407 CA	\$268.55	#.5
Lariat Model	R	AL3Z 1827406 DA	\$291.05	#.5
	L	AL3Z 1827407 DA	\$270.90	#.5
Stone				
Fixed Windows	R	9L3Z 1827406 AA	\$246.03	#.5
	L	9L3Z 1827407 AA	\$223.97	#.5
Pwr Windows	R	9L3Z 1827406 BA	\$379.20	#.5
	L	9L3Z 1827407 BA	\$230.58	#.5
#w/Upper Trim Removed				
5 Weatherstrip, Inner Belt	R	4L3Z 1825860 AC	\$54.68	#.1
	L	4L3Z 1825861 AC	\$55.72	#.1
#w/Trim Panel Removed				
Grommet, Trim Panel (a)				
6 Type 1	R	* W710459 S300	\$5.09	
	L	* W710459 S300	\$5.09	
7 Type 2	R	* W709415 S300	\$1.03	
	L	* W709415 S300	\$1.03	
(a) As Required				
8 Cap, Bolt (2/Side)				
Black	R	9L3Z 18219B00 CA	\$4.42	
	L	9L3Z 18219B00 CA	\$4.42	
Camel				
XLT Model	R	9L3Z 18219B00 DA	\$4.48	
	L	9L3Z 18219B00 DA	\$4.48	
Lariat Model	R	9L3Z 18219B00 BA	\$4.55	
	L	9L3Z 18219B00 BA	\$4.55	
Stone	R	9L3Z 18219B00 DA	\$4.48	
	L	9L3Z 18219B00 DA	\$4.48	
9 Bezel, Window Switch				

Black	R	9L3Z 14528 KA	\$24.57	.2
	L	9L3Z 14527 KA	\$24.57	.2
Camel				
XLT Model	R	9L3Z 14528 JA	\$24.37	.2
	L	9L3Z 14527 JA	\$18.93	.2
Lariat Model	R	9L3Z 14528 LA	\$30.85	.2
	L	9L3Z 14527 LA	\$24.37	.2
Stone	R	9L3Z 14528 HA	\$24.57	.2
	L	9L3Z 14527 HA	\$22.13	.2
10 Switch, Window	R	9L3Z 14529 AC	\$60.54	#.2
	L	9L3Z 14529 AC	\$60.54	#.2
#Included in R&R Switch Bezel				
11 Speaker, Door				
w/Sony Sound System	R	CL3Z 18808 C	\$49.90	#.2
	L	CL3Z 18808 C	\$49.90	#.2
w/o Sony Sound System	R	9L3Z 18808 K	\$22.61	#.2
	L	9L3Z 18808 K	\$22.61	#.2
12 Shield, Moisture	R	9L3Z 1827458 A	\$75.18	#
	L	9L3Z 1827459 A	\$79.07	#

#w/Trim Panel Removed, Not Included in R&R Trim Panel

INTERIOR TRIM INTERIOR TRIM EXTENDED CAB 2011-12

R&I Lower Trim Panel	R			#.6
	L			#.6
#Includes R&I/R&R Upper Trim				
R&I Upper Trim Panel Front	R			.2
	L			.2
Rear	R			.1
	L			.1

NOTE: All Parts in this section are included in R&R Trim Panel unless noted otherwise.

1 Panel, Front Upper Trim				
Fixed Windows	R	9L3Z 1825504 AB	\$49.90	.2
	L	9L3Z 1825505 AB	\$68.70	.2
Pwr Windows				
Adobe	R	9L3Z 1825504 AC	\$46.48	.2
	L	9L3Z 1825505 AC	\$46.48	.2
Black, Steel	R	9L3Z 1825504 CA	\$61.93	.2
	L	9L3Z 1825505 CA	\$46.98	.2
2 Clip, Trim Panel				
Type 1 (a)	R	* W701882 S424	\$4.10	
	L	* W701882 S424	\$4.10	
Type 2	R	9L3Z 18310A90 A	\$4.10	
	L	9L3Z 18310A90 A	\$4.10	
(a) As Required				
3 Panel, Rear Upper Trim				
Adobe	R	9L3Z 1825504 BB	\$28.90	.1
	L	9L3Z 1825505 BB	\$28.90	.1
Black	R	9L3Z 1825504 FA	\$28.07	.1
	L	9L3Z 1825505 FA	\$26.85	.1

Steel		R	9L3Z 1825504 GA	\$45.62	.1
		L	9L3Z 1825505 GA	\$48.20	.1
4 Panel, Lower Trim					
Adobe					
XLT, XTR Model		R	BL3Z 1827406 CC	\$248.82	#.5
		L	BL3Z 1827407 CC	\$248.82	#.5
Lariat Model		R	CL3Z 1827406 AB	\$326.57	#.5
		L	CL3Z 1827407 AB	\$321.35	#.5
Black					
FX2, FX4 Model	11	R	BL3Z 1827406 BA	\$355.93	#.5
		L	BL3Z 1827407 BA	\$305.07	#.5
	12	R	CL3Z 1827406 BB	\$334.68	#.5
		L	CL3Z 1827407 BB	\$328.75	#.5
Lariat Model	11	R	BL3Z 1827406 AB	\$348.43	#.5
		L	BL3Z 1827407 AB	\$347.30	#.5
	12	R	CL3Z 1827406 AC	\$282.22	#.5
		L	CL3Z 1827407 AC	\$321.35	#.5
Steel					
Fixed Windows		R	BL3Z 1827406 EA	\$239.53	#.5
		L	BL3Z 1827407 EA	\$239.72	#.5
Pwr Windows					
XL, STX Model		R	BL3Z 1827406 CA	\$215.77	#.5
		L	BL3Z 1827407 CA	\$248.82	#.5
XLT, XTR Model					
w/Upgrade Pkg		R	BL3Z 1827406 DA	\$364.27	#.5
		L	BL3Z 1827407 DA	\$364.27	#.5
w/o Upgrade Pkg		R	BL3Z 1827406 CA	\$215.77	#.5
		L	BL3Z 1827407 CA	\$248.82	#.5
#w/Upper Trim Panels Removed					
5 Weatherstrip, Inner Belt		R	4L3Z 1825860 AC	\$54.68	#.1
		L	4L3Z 1825861 AC	\$55.72	#.1
#w/Trim Panel Removed					
Grommet, Trim Panel (a)					
6 Type 1		R	* W710459 S300	\$5.09	
		L	* W710459 S300	\$5.09	
7 Type 2		R	* W709415 S300	\$1.03	
		L	* W709415 S300	\$1.03	
(a) As Required					
8 Cap, Bolt (2/Side)					
Adobe		R	BL3Z 18219B00 AB	\$24.43	
		L	BL3Z 18219B00 AB	\$24.43	
Black		R	9L3Z 18219B00 CA	\$4.42	
		L	9L3Z 18219B00 CA	\$4.42	
Steel		R	BL3Z 18219B00 AB	\$24.43	
		L	BL3Z 18219B00 AB	\$24.43	
9 Bezel, Window Switch (a)		R	9L3Z 14528 KA	\$24.57	.2
		L	9L3Z 14527 KA	\$24.57	.2
(a) Order by Application					
10 Switch, Window		R	9L3Z 14529 AC	\$60.54	#.2
		L	9L3Z 14529 AC	\$60.54	#.2
#Included in R&R Switch Bezel					
11 Speaker, Door					

w/Sony Sound System	R	CL3Z 18808 C	\$49.90	#.2
	L	CL3Z 18808 C	\$49.90	#.2
w/o Sony Sound System	R	9L3Z 18808 K	\$22.61	#.2
	L	9L3Z 18808 K	\$22.61	#.2
12 Shield, Moisture	R	9L3Z 1827458 A	\$75.18	#
	L	9L3Z 1827459 A	\$79.07	#

#w/Trim Panel Removed, Not Included in R&R Trim Panel

INTERIOR TRIM

INTERIOR TRIM EXTENDED

CAB 2013-14

R&I Lower Trim Panel	R			#.6
	L			#.6

#Includes R&I/R&R Upper Trim

R&I Upper Trim Panel Front	R			.2
	L			.2
Rear	R			.1
	L			.1

NOTE: All Parts in this section are included in R&R Trim Panel unless noted otherwise.

1 Panel, Front Upper Trim				
Fixed Windows	R	9L3Z 1825504 CA	\$61.93	.2
	L	9L3Z 1825505 CA	\$46.98	.2
Pwr Windows (a)	R	9L3Z 1825504 CA	\$61.93	.2
	L	9L3Z 1825505 CA	\$46.98	.2

(a) Black listed, Order by Application

2 Clip, Trim Panel				
Type 1 (a)	R	* W701882 S424	\$4.10	
	L	* W701882 S424	\$4.10	
Type 2	R	9L3Z 18310A90 A	\$4.10	
	L	9L3Z 18310A90 A	\$4.10	

(a) As Required

3 Panel, Rear Upper Trim				
Fixed Windows	R	9L3Z 1825504 FA	\$28.07	.1
	L	9L3Z 1825505 FA	\$26.85	.1
Pwr Windows (a)	R	9L3Z 1825504 FA	\$28.07	.1
	L	9L3Z 1825505 FA	\$26.85	.1

(a) Black listed, Order by Application

4 Panel, Lower Trim				
Fixed Windows	R	BL3Z 1827406 EA	\$239.53	#.5
	L	BL3Z 1827407 EA	\$239.72	#.5
Pwr Windows (a)	R	CL3Z 1827406 AA	\$357.08	#.5
	L	CL3Z 1827407 AA	\$300.43	#.5

(a) Order by Application
#w/Upper Trim Removed

5 Weatherstrip, Inner Belt	R	4L3Z 1825860 AC	\$54.68	#.1
	L	4L3Z 1825861 AC	\$55.72	#.1

#w/Trim Panel Removed

Grommet, Trim Panel (2/Side)				
6 Type 1	R	* W710459 S300	\$5.09	
	L	* W710459 S300	\$5.09	
7 Type 2	R	* W709415 S300	\$1.03	
	L	* W709415 S300	\$1.03	

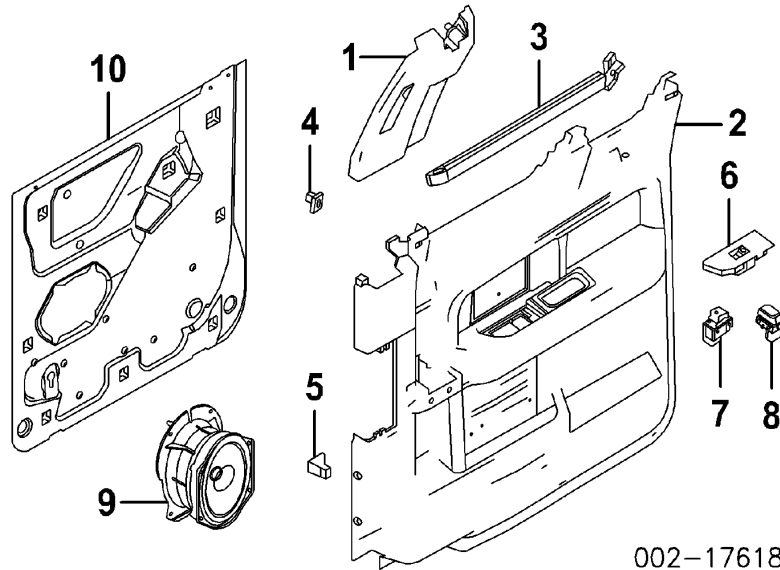
8 Cap, Bolt (2/Side) Fixed Windows	R	9L3Z 18219B00 CA	\$4.42	
	L	9L3Z 18219B00 CA	\$4.42	
Pwr Windows (a)	R	9L3Z 18219B00 CA	\$4.42	
	L	9L3Z 18219B00 CA	\$4.42	
9 Bezel, Window Switch (a)	R	9L3Z 14528 KA	\$24.57	.2
	L	9L3Z 14527 KA	\$24.57	.2
<i>(a) Black listed, Order by Application</i>				
10 Switch, Window	R	9L3Z 14529 AC	\$60.54	#.2
	L	9L3Z 14529 AC	\$60.54	#.2
<i>#Included in R&R Switch Bezel</i>				
11 Speaker, Door w/Sony Sound System	R	CL3Z 18808 C	\$49.90	#.2
	L	CL3Z 18808 C	\$49.90	#.2
w/o Sony Sound System (a)	R	9L3Z 18808 G	\$27.47	#.2
	L	9L3Z 18808 G	\$27.47	#.2
<i>(a) Order by Application</i>				
12 Shield, Moisture	R	9L3Z 1827458 A	\$75.18	#
	L	9L3Z 1827459 A	\$79.07	#

#w/Trim Panel Removed, Not Included in R&R Trim Panel

INTERIOR TRIM

INTERIOR TRIM CREW CAB

2009-10



R&I Lower Trim Panel	R			#.6
	L			#.6
<i>#Includes R&I/R&R Upper Trim Panel</i>				
R&I Upper Trim Panel	R			.2
	L			.2

NOTE: All Parts in this section are included in R&R Trim Panel unless noted otherwise.

1 Panel, Upper Trim Black	R	9L3Z 1625504 CA	\$20.65	.2
------------------------------	---	-----------------	---------	----

		L	9L3Z 1625505 CA	\$23.90	.2
Camel					
	XLT Model	R	9L3Z 1625504 DA	\$40.90	.2
		L	9L3Z 1625505 DA	\$39.88	.2
	Lariat, King Ranch Model	R	9L3Z 1625504 BA	\$23.90	.2
		L	9L3Z 1625505 BA	\$25.28	.2
	Stone				
	XL, XLT Model	R	9L3Z 1625504 DA	\$40.90	.2
		L	9L3Z 1625505 DA	\$39.88	.2
	Platinum	R	9L3Z 1625504 AA	\$25.38	.2
		L	9L3Z 1625505 AA	\$25.38	.2
2	Panel, Lower Trim				
	Black				
	FX2, FX4 Model	R	AL3Z 1627406 BA	\$360.60	#.5
		L	AL3Z 1627407 BA	\$360.60	#.5
	Lariat Model	R	AL3Z 1627406 CB	\$353.58	#.5
		L	AL3Z 1627407 CB	\$353.25	#.5
	Platinum Model	R	AL3Z 1627406 DB	\$353.37	#.5
		L	AL3Z 1627407 DB	\$354.02	#.5
	Harley-Davidson Model	R	AL3Z 1627406 AA	\$421.67	#.5
		L	AL3Z 1627407 AA	\$358.80	#.5
	Camel				
	XLT, XTR Model	R	9L3Z 1627406 HA	\$283.07	#.5
		L	9L3Z 1627407 HA	\$283.07	#.5
	Lariat Model	R	AL3Z 1627406 CA	\$353.58	#.5
		L	AL3Z 1627407 CA	\$353.25	#.5
	King Ranch Model	R	AL3Z 1627406 EA	\$353.65	#.5
		L	AL3Z 1627407 EA	\$353.72	#.5
	Stone				
	XL, XLT, XTR Model	R	9L3Z 1627406 AA	\$346.10	#.5
		L	9L3Z 1627407 AA	\$346.10	#.5
	Platinum Model	R	AL3Z 1627406 DA	\$353.37	#.5
		L	AL3Z 1627407 DA	\$412.50	#.5
	#w/Upper Trim Panel Removed				
3	Weatherstrip, Inner Belt	R	9L3Z 1625860 A	\$47.13	#.1
		L	9L3Z 1625861 A	\$47.13	#.1
	#w/Trim Panel Removed				
	Grommet, Trim Panel (a)				
4	Type 1	R	* W710459 S300	\$5.09	
		L	* W710459 S300	\$5.09	
5	Type 2	R	* W709415 S300	\$1.03	
		L	* W709415 S300	\$1.03	
	(a) As Required				
6	Bezel, Window Switch				
	Black				
	FX2 Model	R	9L3Z 14528 PA	\$25.75	.2
		L	9L3Z 14527 PA	\$25.75	.2
	FX4, Lariat Model				
	2009	R	9L3Z 14528 PA	\$25.75	.2
		L	9L3Z 14527 PA	\$25.75	.2
	2010				

Heated Rear Seats	R	AL3Z 14528 BC	\$27.35	.2	
	L	AL3Z 14527 BC	\$27.35	.2	
Non-Heated Rear Seats	R	9L3Z 14528 PA	\$25.75	.2	
	L	9L3Z 14527 PA	\$25.75	.2	
Platinum Model					
2009	R	9L3Z 14528 TA	\$29.82	.2	
	L	9L3Z 14527 TA	\$23.40	.2	
2010					
Heated Rear Seats	R	AL3Z 14528 BC	\$27.35	.2	
	L	AL3Z 14527 BC	\$27.35	.2	
Non-Heated Rear Seats	R	9L3Z 14528 TA	\$29.82	.2	
	L	9L3Z 14527 TA	\$23.40	.2	
Harley-Davidson Model	R	AL3Z 14528 BB	\$27.35	.2	
	L	AL3Z 14527 BB	\$18.77	.2	
Camel					
XLT, XTR Model	R	9L3Z 14528 NA	\$25.43	.2	
	L	9L3Z 14527 NA	\$18.53	.2	
Lariat Model	R	9L3Z 14528 SA	\$25.75	.2	
	L	9L3Z 14527 SA	\$25.43	.2	
King Ranch Model					
2009	R	9L3Z 14528 NA	\$25.43	.2	
	L	9L3Z 14527 NA	\$18.53	.2	
2010					
Heated Rear Seats	R	AL3Z 14528 BA	\$27.35	.2	
	L	AL3Z 14527 BA	\$27.35	.2	
Non-Heated Rear Seats	R	9L3Z 14528 NA	\$25.43	.2	
	L	9L3Z 14527 NA	\$18.53	.2	
Stone					
XL, XLT, XTR Model	R	9L3Z 14528 MA	\$25.43	.2	
	L	9L3Z 14527 MA	\$25.75	.2	
Platinum Model					
2009	R	9L3Z 14528 TA	\$29.82	.2	
	L	9L3Z 14527 TA	\$23.40	.2	
2010					
Heated Rear Seats	R	AL3Z 14528 BC	\$27.35	.2	
	L	AL3Z 14527 BC	\$27.35	.2	
Non-Heated Rear Seats	R	9L3Z 14528 TA	\$29.82	.2	
	L	9L3Z 14527 TA	\$23.40	.2	
7 Switch, Window	R	9L3Z 14529 AC	\$60.54	#.2	
	L	9L3Z 14529 AC	\$60.54	#.2	
<i>#Included in R&R Switch Bezel</i>					
8 Switch, Seat Heater	10	R	AL3Z 14D694 AA	\$63.32	
		L	AL3Z 14D695 AA	\$69.34	
9 Speaker, Door					
w/Sony Sound System		R	CL3Z 18808 C	\$49.90	#.2
		L	CL3Z 18808 C	\$49.90	#.2
w/o Sony Sound System		R	9L3Z 18808 G	\$27.47	#.2
		L	9L3Z 18808 G	\$27.47	#.2
10 Shield, Moisture		R	9L3Z 1627458 A	\$67.63	#
		L	9L3Z 1627459 A	\$67.63	#

#w/Trim Panel Removed, Not Included in R&R Trim Panel

**INTERIOR TRIM
INTERIOR TRIM CREW CAB
2011-12**

R&I Lower Trim Panel

R	#.6
L	#.6

#Includes R&I/R&R Upper Trim Panel

R&I Upper Trim Panel

R	.2
L	.2

NOTE: All Parts in this section are included in R&R Trim Panel unless noted otherwise.

1 Panel, Upper Trim

Adobe	R	BL3Z 1625504 AA	\$41.53	#.2
	L	BL3Z 1625505 AA	\$41.53	#.2
Black	R	9L3Z 1625504 CA	\$20.65	#.2
	L	9L3Z 1625505 CA	\$23.90	#.2
Steel	R	9L3Z 1625504 AB	\$41.53	#.2
	L	9L3Z 1625505 AB	\$41.53	#.2

#Not Included in R&R Trim Panel

2 Panel, Lower Trim

Adobe					
XLT, XTR Model	R	BL3Z 1627406 HC	\$275.15	#.5	
	L	BL3Z 1627407 HC	\$250.12	#.5	
Lariat Model					
2011	R	BL3Z 1627406 DA	\$343.97	#.5	
	L	BL3Z 1627407 DA	\$360.52	#.5	
2012					
To 11-5-11	R	BL3Z 1627406 DA	\$343.97	#.5	
	L	BL3Z 1627407 DA	\$360.52	#.5	
From 11-5-11	R	CL3Z 1627406 DA	\$351.67	#.5	
	L	CL3Z 1627407 DA	\$333.00	#.5	
King Ranch Model	R	BL3Z 1627406 CA	\$342.05	#.5	
	L	BL3Z 1627407 CA	\$344.02	#.5	
Black					
FX2, FX4 Model	11	R	BL3Z 1627406 EA	\$351.97	#.5
		L	BL3Z 1627407 EA	\$351.97	#.5
	12	R	CL3Z 1627406 HB	\$342.30	#.5
		L	CL3Z 1627407 HA	\$346.77	#.5
Lariat Model					
2011	R	BL3Z 1627406 DB	\$342.57	#.5	
	L	BL3Z 1627407 DB	\$360.95	#.5	
2012					
To 11-5-11	R	BL3Z 1627406 DB	\$342.57	#.5	
	L	BL3Z 1627407 DB	\$360.95	#.5	
From 11-5-11	R	CL3Z 1627406 DB	\$351.67	#.5	
	L	CL3Z 1627407 DB	\$351.32	#.5	
Platinum Model	R	BL3Z 1627406 BA	\$344.17	#.5	
	L	BL3Z 1627407 BA	\$344.35	#.5	
Lariat Limited Model	R	BL3Z 1627406 GA	\$376.23	#.5	
	L	BL3Z 1627407 GA	\$147.90	#.5	
Harley-Davidson Model	R	BL3Z 1627406 AA	\$433.65	#.5	

	Steel	L	BL3Z 1627407 AA	\$369.62	#.5
	XL Model	R	BL3Z 1627406 HB	\$250.12	#.5
		L	BL3Z 1627407 HB	\$299.70	#.5
	XLT Model				
	w/Upgrade Pkg	R	BL3Z 1627406 JA	\$422.60	#.5
		L	BL3Z 1627407 JA	\$425.32	#.5
	w/o Upgrade Pkg	R	BL3Z 1627406 HB	\$250.12	#.5
		L	BL3Z 1627407 HB	\$299.70	#.5
	Platinum Model	R	BL3Z 1627406 BB	\$361.58	#.5
		L	BL3Z 1627407 BB	\$361.77	#.5
	#w/Upper Trim Panel Removed				
3	Weatherstrip, Inner Belt	R	9L3Z 1625860 A	\$47.13	#.1
		L	9L3Z 1625861 A	\$47.13	#.1
	#w/Trim Panel Removed				
	Grommet, Trim Panel (a)				
4	Type 1	R	* W710459 S300	\$5.09	
		L	* W710459 S300	\$5.09	
5	Type 2	R	* W709415 S300	\$1.03	
		L	* W709415 S300	\$1.03	
	(a) As Required				
6	Bezel, Window Switch				
	Adobe	R	9L3Z 14528 BB	\$6.97	.2
		L	9L3Z 14527 BB	\$10.08	.2
	Black				
	FX2, FX4, Lariat Model	R	9L3Z 14528 PA	\$25.75	.2
		L	9L3Z 14527 PA	\$25.75	.2
	Platinum Model	R	AL3Z 14528 BC	\$27.35	.2
		L	AL3Z 14527 BC	\$27.35	.2
	Lariat Limited Model (a)	R	AL3Z 14528 BB	\$27.35	.2
		L	AL3Z 14527 BB	\$18.77	.2
	Harley-Davidson Model	R	AL3Z 14528 BB	\$27.35	.2
		L	AL3Z 14527 BB	\$18.77	.2
	Steel	R	9L3Z 14528 BC	\$8.03	.2
		L	9L3Z 14527 BC	\$8.03	.2
	(a) Order by Application				
7	Switch, Window	R	9L3Z 14529 AC	\$60.54	#.2
		L	9L3Z 14529 AC	\$60.54	#.2
	#Included in R&R Switch Bezel				
8	Switch, Seat Heater	R	AL3Z 14D694 AA	\$63.32	
		L	AL3Z 14D695 AA	\$69.34	
9	Speaker, Door				
	w/Sony Sound System	R	CL3Z 18808 C	\$49.90	#.2
		L	CL3Z 18808 C	\$49.90	#.2
	w/o Sony Sound System	R	9L3Z 18808 G	\$27.47	#.2
		L	9L3Z 18808 G	\$27.47	#.2
10	Shield, Moisture	R	9L3Z 1627458 A	\$67.63	#
		L	9L3Z 1627459 A	\$67.63	#

#w/Trim Panel Removed, Not Included in R&R Trim Panel

INTERIOR TRIM

INTERIOR TRIM CREW CAB

2013-14

R&I Lower Trim Panel

R #.6

L #.6

#Includes R&I/R&R Upper Trim Panel

R&I Upper Trim Panel

R .2

L .2

NOTE: All Parts in this section are included in R&R Trim Panel unless noted otherwise.

1 Panel, Upper Trim (a)

R 9L3Z 1625504 CA \$20.65 #.2

L 9L3Z 1625505 CA \$23.90 #.2

#Not Included in R&R Trim Panel

2 Panel, Lower Trim (a)

R CL3Z 1627406 DB \$351.67 #.5

L CL3Z 1627407 DB \$351.32 #.5

(a) Order by Application
#w/Upper Trim Panel Removed

3 Weatherstrip, Inner Belt

R 9L3Z 1625860 A \$47.13 #.1

L 9L3Z 1625861 A \$47.13 #.1

#w/Trim Panel Removed

Grommet, Trim Panel

4 Type 1

R 9L3Z 15237A22 A \$3.42

L 9L3Z 15237A22 A \$3.42

5 Type 2, (2/Side)

R * W709415 S300 \$1.03

L * W709415 S300 \$1.03

6 Bezel, Window Switch (a) Heated Rear Seats

R AL3Z 14528 BC \$27.35 .2

L AL3Z 14527 BC \$27.35 .2

Non-Heated Rear Seats
w/Platinum Model

R 9L3Z 14528 TA \$29.82 .2

L 9L3Z 14527 TA \$23.40 .2

w/o Platinum Model

R 9L3Z 14528 PA \$25.75 .2

L 9L3Z 14527 PA \$25.75 .2

(a) Order by Application

7 Switch, Window

R 9L3Z 14529 AC \$60.54 #.2

L 9L3Z 14529 AC \$60.54 #.2

#Included in R&R Switch Bezel

8 Switch, Seat Heater

R AL3Z 14D694 AA \$63.32

L AL3Z 14D695 AA \$69.34

9 Speaker, Door

w/Sony Sound System

R CL3Z 18808 C \$49.90 #.2

L CL3Z 18808 C \$49.90 #.2

w/o Sony Sound System

R 9L3Z 18808 G \$27.47 #.2

L 9L3Z 18808 G \$27.47 #.2

10 Shield, Moisture

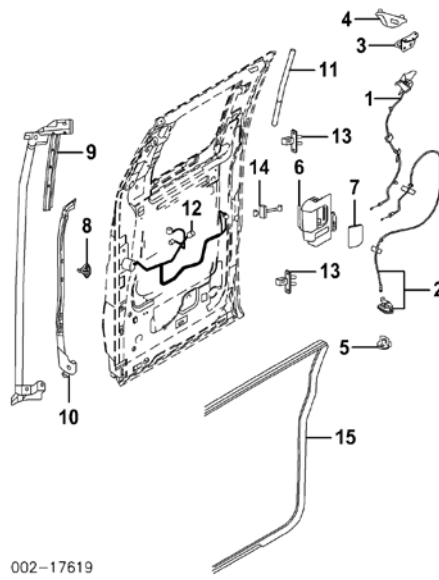
R 9L3Z 1627458 A \$67.63 #

L 9L3Z 1627459 A \$67.63 #

#w/Trim Panel Removed, Not Included in R&R Trim Panel

HARDWARE

HARDWARE EXTENDED CAB



002-17619

Refinish Hinge				
Upper	R			.5
	L			.5
Lower	R			.5
	L			.5
R&I Door Handle	R			#.9
	L			#.9
#Includes R&I Lower Trim Panel				
1 Latch, Upper Door	R	9L3Z 18264A00 B	\$139.47	#.2
	L	9L3Z 18264A01 B	\$140.37	#.2
2 Latch, Lower Door	R	9L3Z 18264A00 A	\$115.28	#.2
	L	9L3Z 18264A01 A	\$121.03	#.2
#w/Lower Trim Panel Removed				
3 Striker, Upper Latch	R	5L3Z 18265A04 A	\$25.78	.2
	L	5L3Z 18265A05 A	\$25.78	.2
4 Cover, Striker				
XL, STX, XLT, XTR Model	R	9L3Z 18264B82 AD	\$44.67	
	L	9L3Z 18264B83 AD	\$41.42	
FX2, FX4 Model	R	9L3Z 18264B82 AC	\$45.17	
	L	9L3Z 18264B83 AC	\$41.05	
Lariat Model				
2009-10				
Black	R	9L3Z 18264B82 AC	\$45.17	
	L	9L3Z 18264B83 AC	\$41.05	
Camel	R	9L3Z 18264B82 AB	\$45.70	
	L	9L3Z 18264B83 AB	\$32.33	
2011-12				
Adobe				
w/Chrome Pkg	R	BL3Z 18264B82 AA	\$26.68	
	L	BL3Z 18264B83 AA	\$22.52	
w/o Chrome Pkg	R	9L3Z 18264B82 AD	\$44.67	
	L	9L3Z 18264B83 AD	\$41.42	

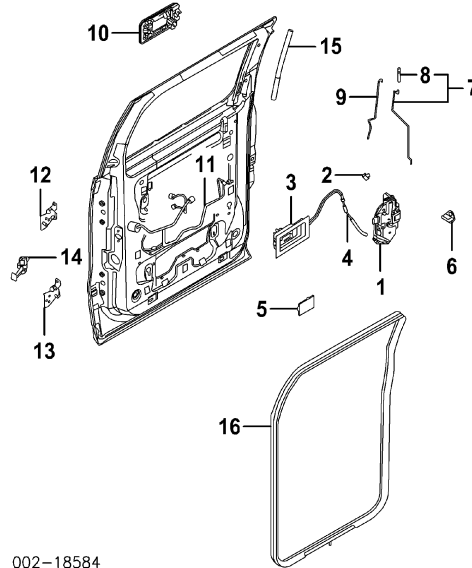
Black	R	9L3Z 18264B82 AC	\$45.17	
	L	9L3Z 18264B83 AC	\$41.05	
2013-14 (a)	R	9L3Z 18264B82 AC	\$45.17	
	L	9L3Z 18264B83 AC	\$41.05	
<i>(a) Black listed, Order by Application</i>				
5 Striker, Lower Latch	R	5L3Z 18264B70 A	\$15.88	.2
	L	5L3Z 18264B70 A	\$15.88	.2
6 Handle, Door				
2009-10				
Black	R	CL3Z 1822600 AB	\$59.48	#.3
	L	CL3Z 1822601 AB	\$55.22	#.3
Camel				
XLT Model	R	CL3Z 1822600 AC	\$59.48	#.3
	L	CL3Z 1822601 AC	\$55.22	#.3
Lariat Model	R	9L3Z 1822600 AB	\$55.22	#.3
	L	9L3Z 1822601 AB	\$57.75	#.3
Stone	R	CL3Z 1822600 AC	\$59.48	#.3
	L	CL3Z 1822601 AC	\$55.22	#.3
2011-12				
Adobe				
XLT, XTR Model	R	CL3Z 1822600 AC	\$59.48	#.3
	L	CL3Z 1822601 AC	\$55.22	#.3
Lariat Model	R	CL3Z 1822600 AA	\$58.85	#.3
	L	CL3Z 1822601 AA	\$55.22	#.3
Black, Steel	R	CL3Z 1822600 AB	\$59.48	#.3
	L	CL3Z 1822601 AB	\$55.22	#.3
2013-14 (a)	R	CL3Z 1822600 AB	\$59.48	#.3
	L	CL3Z 1822601 AB	\$55.22	#.3
<i>(a) Black listed, Order by Application</i>				
<i>#w/Lower Trim Panel Removed</i>				
7 Cover, Handle	R	9L3Z 1822670 AA	\$6.63	
	L	9L3Z 1822670 AA	\$6.63	
8 Striker, Front Door-See Front Door Section				
9 Weatherstrip, Front (On Door)	R	4L3Z 18253A36 AF	\$123.50	.3
	L	4L3Z 18253A37 AF	\$119.75	.3
10 Seal, Front (On Body)	R	9L3Z 1525324 B	\$51.95	.2
	L	9L3Z 1525325 B	\$52.08	.2
11 Weatherstrip, Rear (On Door)	R	4L3Z 1820534 AA	\$34.27	.2
	L	4L3Z 1820535 AA	\$41.30	.2
12 Harness, Rear Door Wiring				
Dearborn Plant				
Fixed Windows	09-10	R	9L3Z 14630 AAA	\$49.75
		L	9L3Z 14631 AAA	\$42.27
	11-14	R	BL3Z 14630 D	\$17.92
		L	BL3Z 14631 D	\$46.02
Pwr Windows	09-10	R	9L3Z 14630 BAA	\$55.37
		L	9L3Z 14631 BAA	\$50.83
	11-14	R	BL3Z 14630 E	\$24.53
		L	BL3Z 14631 E	\$22.55
Kansas City Plant-See Cab Section				
13 Hinge, Door (2/Side)	R	4L3Z 1826800 AA	\$35.02	#.3

#w/Door Removed
 14 Check, Door

L	4L3Z 1826800 AA	\$35.02	#.3
R	9L3Z 1827204 A	\$26.22	#.2
L	9L3Z 1827204 A	\$26.22	#.2

#w/Lower Trim Panel Removed
 15 W/Strip, Front Door Opng-See Cab Section

HARDWARE HARDWARE CREW CAB



002-18584

Refinish Outside Handle

R			.5
L			.5

Refinish Hinge
 Upper

R			.5
L			.5

Lower

R			.5
L			.5

R&I Outside Handle

R			#.9
L			#.9

#Includes R&I Lower Trim Panel

1 Latch, Door

R	9L3Z 5426412 A	\$118.43	#.3
L	9L3Z 5426413 A	\$118.43	#.3

2 Retainer, Latch Rod

R	8S4Z 5421952 A	\$9.93	
L	8S4Z 5421952 A	\$9.93	

3 Handle, Inside

2009

R	9L3Z 1522600 CB	\$46.13	#.2
L	9L3Z 1522601 CB	\$41.93	#.2

2010

w/Harley-Davidson Model

R	DL3Z 1522600 HA	\$109.95	#.2
L	AL3Z 1522601 BB	\$45.85	#.2

w/o Harley-Davidson Model

R	9L3Z 1522600 CB	\$46.13	#.2
L	9L3Z 1522601 CB	\$41.93	#.2

2011

w/Harley-Davidson Model

R	AL3Z 1522600 BC	\$101.10	#.2
---	-----------------	----------	-----

	L	AL3Z 1522601 BC	\$106.67	#.2	
w/o Harley-Davidson Model	R	9L3Z 1522600 CB	\$46.13	#.2	
	L	9L3Z 1522601 CB	\$41.93	#.2	
2012					
Chrome	R	9L3Z 1522600 CB	\$46.13	#.2	
	L	9L3Z 1522601 CB	\$41.93	#.2	
Black/Chrome (a)	R	CL3Z 1522600 FA	\$64.52	#.2	
	L	CL3Z 1522601 FA	\$64.52	#.2	
2013-14					
w/Limited Model	R	DL3Z 1522600 HA	\$109.95	#.2	
	L	DL3Z 1522601 HA	\$109.98	#.2	
w/o Limited Model (a)					
Chrome	R	9L3Z 1522600 CB	\$46.13	#.2	
	L	9L3Z 1522601 CB	\$41.93	#.2	
Black/Chrome	R	CL3Z 1522600 FA	\$64.52	#.2	
	L	CL3Z 1522601 FA	\$64.52	#.2	
<i>(a) Order by Application</i>					
<i>#w/Lower Trim Panel Removed</i>					
4 Cable, Handle	R	9L3Z 54221A00 A	\$27.30		
	L	9L3Z 54221A00 A	\$27.30		
5 Cover, Inside Handle	R	9L3Z 1631458 AA	\$6.95		
	L	9L3Z 1631458 AA	\$6.95		
6 Striker, Rear Door	R	9L3Z 1622008 A	\$17.18	.2	
	L	9L3Z 1622008 A	\$17.18	.2	
7 Rod Assy, Lock	R	CL3Z 1626460 AA	\$16.15		
	L	CL3Z 1626461 AA	\$16.15		
8 Knob, Lock	R	FODZ 5421850 A	\$6.30		
	L	FODZ 5421850 A	\$6.30		
<i>Included w/Lock Rod Assy</i>					
9 Rod, Handle	R	9L3Z 1522152 A	\$9.87		
	L	9L3Z 1522153 A	\$11.25		
10 Handle, Outside Door					
w/Chrome Insert					
Flat Black	R	CL3Z 1626604 AA	\$100.07	#.3	
	L	CL3Z 1626605 AB	\$98.20	#.3	
Black					
Code UA	09	R	9L3Z 1626604 DA	\$153.55	#.3
		L	9L3Z 1626605 DA	\$145.13	#.3
Code UH	10-14	R	CL3Z 1626604 DM	\$109.32	#.3
		L	CL3Z 1626605 DN	\$111.05	#.3
Blue Jeans, (Code N1)	13-14	R	CL3Z 1626604 DB	\$111.40	#.3
		L	CL3Z 1626605 DC	\$109.62	#.3
Brilliant Silver, (Code UI)	09	R	9L3Z 1626604 DE	\$153.45	#.3
		L	9L3Z 1626605 DE	\$145.13	#.3
Dark Blue, (Code DX)	09-12	R	CL3Z 1626604 DK	\$109.32	#.3
		L	CL3Z 1626605 DL	\$109.32	#.3
Golden Bronze, (Code JQ)	11-12	R	CL3Z 1626604 DH	\$109.32	#.3
		L	CL3Z 1626605 DJ	\$109.32	#.3
Green Gem, (Code W6)	12-14	R	CL3Z 1626604 DJ	\$109.32	#.3
		L	CL3Z 1626605 DK	\$39.40	#.3
Ingot Silver, (Code UX)	10-14	R	CL3Z 1626604 DD	\$109.32	#.3

	L	CL3Z 1626605 DE	\$109.32	#.3
Kodiak Brown, (Code J1)	13-14 R	CL3Z 1626604 DA	\$111.40	#.3
	L	CL3Z 1626605 DB	\$109.62	#.3
Oxford White, (Code YZ)	R	CL3Z 1626604 DL	\$109.32	#.3
	L	CL3Z 1626605 DM	\$111.05	#.3
Pale Adobe, (Code LQ)	11-14 R	CL3Z 1626604 DG	\$122.45	#.3
	L	CL3Z 1626605 DH	\$109.32	#.3
Race Red, (Code PQ)	11-14 R	CL3Z 1626604 DE	\$109.32	#.3
	L	CL3Z 1626605 DF	\$109.32	#.3
Red Candy				
Code U6				
2010	R	9L3Z 1626604 DP	\$153.25	#.3
	L	9L3Z 1626605 DP	\$145.72	#.3
2011				
To 7-11-11	R	9L3Z 1626604 DP	\$153.25	#.3
	L	9L3Z 1626605 DP	\$145.72	#.3
Code RZ				
2011				
From 7-11-11	R	CL3Z 1626604 DF	\$109.32	#.3
	L	CL3Z 1626605 DG	\$109.32	#.3
2012	R	CL3Z 1626604 DF	\$109.32	#.3
	L	CL3Z 1626605 DG	\$109.32	#.3
Royal Red, (Code UK)	09-10 R	9L3Z 1626604 DG	\$153.45	#.3
	L	9L3Z 1626605 DG	\$145.13	#.3
Ruby Red, (Code RR)	13-14 R	CL3Z 1626604 DC	\$111.40	#.3
	L	CL3Z 1626605 DD	\$109.62	#.3
Sterling Gray, (Code UJ)	R	CL3Z 1626604 DN	\$109.32	#.3
	L	CL3Z 1626605 DP	\$111.05	#.3
White Chocolate, (Code PV)	09 R	9L3Z 1626604 DD	\$153.25	#.3
	L	9L3Z 1626605 DD	\$145.22	#.3
White Platinum, (Code UG)	10-14 R	CL3Z 1626604 DP	\$111.05	#.3
	L	CL3Z 1626605 DQ	\$111.05	#.3
w/o Chrome Insert				
Black	R	CL3Z 1626604 AB	\$72.78	#.3
	L	CL3Z 1626605 AA	\$70.87	#.3
Paint to Match	R	CL3Z 1626604 CAPTM	\$102.13	#.3
	L	CL3Z 1626605 CAPTM	\$102.13	#.3
#w/Lower Trim Panel Removed				
11 Harness, Rear Door Wiring				
Dearborn Plant				
2009	R	9L3Z 14630 CAA	\$60.02	
	L	9L3Z 14631 CAA	\$56.60	
2010-14				
Heated Rear Seats	R	AL3Z 14630 AAA	\$64.68	
	L	AL3Z 14631 AAA	\$59.95	
Non-Heated Rear Seats	R	9L3Z 14630 CAA	\$60.02	
	L	9L3Z 14631 CAA	\$56.60	
Kansas City Plant-See Cab Section				
12 Hinge, Upper Door	R	4L3Z 1626800 AA	\$42.23	#.3
	L	4L3Z 1626800 AA	\$42.23	#.3
13 Hinge, Lower Door	R	4L3Z 1626810 AA	\$38.15	#.3

#w/Door Removed

14 Check, Door

L 4L3Z 1626810 AA \$38.15 #.3

R 9L3Z 1627204 A \$26.10 #.2

L 9L3Z 1627204 A \$26.10 #.2

#w/Lower Trim Panel Removed

15 Weatherstrip, Rear (On Door)

R 5L3Z 16253A40 AA \$56.45 .2

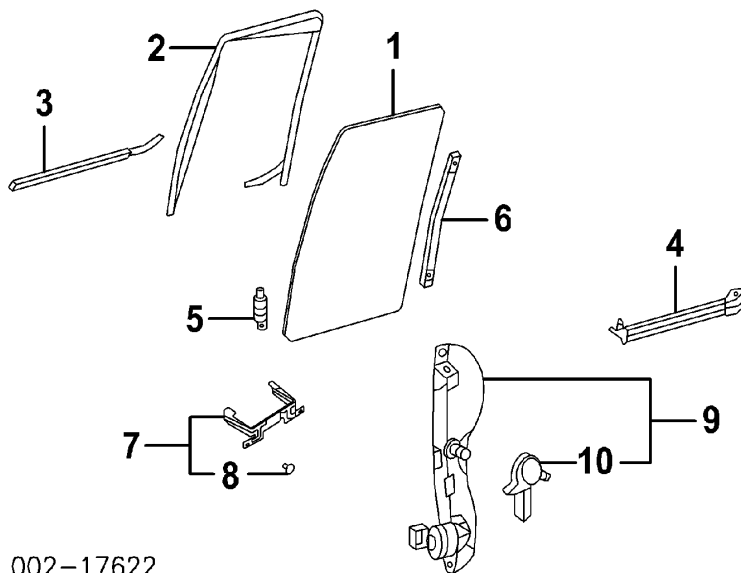
L 5L3Z 16253A40 AA \$56.45 .2

16 W/Strip, Rear Door Opng-See Cab Section

GLASS & PARTS

GLASS & PARTS EXTENDED

CAB



002-17622

1 Glass, Rear Door

Ford

Green

R 4L3Z 1829700 BA \$193.08 #1.0

L 4L3Z 1829701 BA \$196.58 #1.0

Privacy

R 4L3Z 1829700 AA \$210.35 #1.0

L 4L3Z 1829701 AA \$166.47 #1.0

NAGS

Green

R DQ10470GTN \$181.30 #1.0

L DQ10471GTN \$181.30 #1.0

Privacy

R DQ10470YPN \$180.40 #1.0

L DQ10471YPN \$180.40 #1.0

#Includes R&I/R&R Door Speaker

2 Run, Glass

R 9L3Z 1825766 A \$155.35 #.2

L 9L3Z 1825767 A \$155.35 #.2

#w/Door Glass Removed

3 Moulding, Outer Belt-See Exterior Trim Section

4 Weatherstrip, Inner Belt-See Interior Trim Section

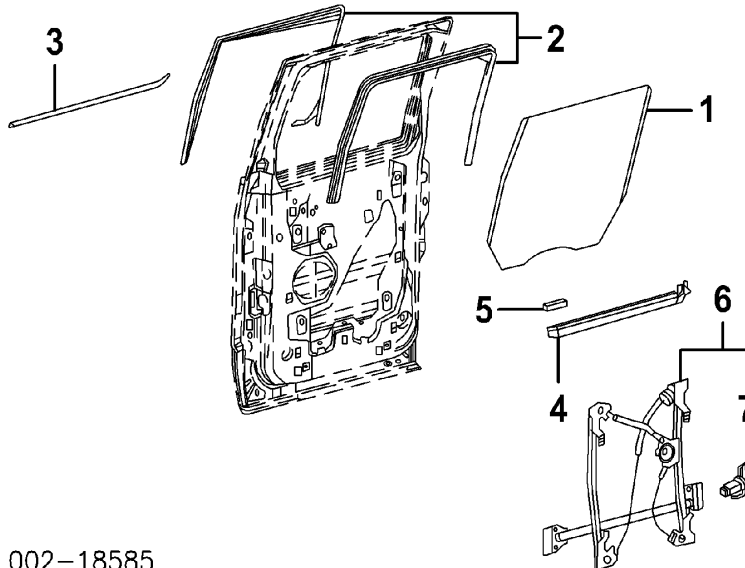
5 Retainer, Front Glass

Fixed Windows

2009

To 12-1-08	R	9L3Z 1825796 A	\$12.32	
	L	9L3Z 1825797 A	\$12.32	
Pwr Windows	R	9L3Z 1825796 A	\$12.32	
	L	9L3Z 1825797 A	\$12.32	
6 Retainer, Rear Glass				
Fixed Windows				
2009				
To 12-1-08	R	9L3Z 1825804 A	\$28.74	#.2
	L	9L3Z 1825805 A	\$28.74	#.2
Pwr Windows	R	9L3Z 1825804 A	\$28.74	#.2
	L	9L3Z 1825805 A	\$28.74	#.2
<i>#w/Door Glass Removed</i>				
7 Retainer Assy, Glass				
Fixed Windows				
2009				
From 12-1-08	R	9L3Z 18270A06 A	\$19.75	
	L	9L3Z 18270A07 A	\$19.75	
2010-14	R	9L3Z 18270A06 A	\$19.75	
	L	9L3Z 18270A07 A	\$19.75	
8 Clip, Retainer (a)	R	* W701259 S300	\$1.07	
	L	* W701259 S300	\$1.07	
<i>Included w/Glass Retainer Assy (a) As Required</i>				
9 Regulator, Power Window	R	AL3Z 1827000 A	\$87.60	#1.1
	L	AL3Z 1827001 A	\$87.67	#1.1
<i>#w/Door Glass Removed Deduct .8</i>				
10 Motor, Regulator-Serviced w/Power Window				
Regulator				

**GLASS & PARTS
GLASS & PARTS CREW CAB**



002-18585

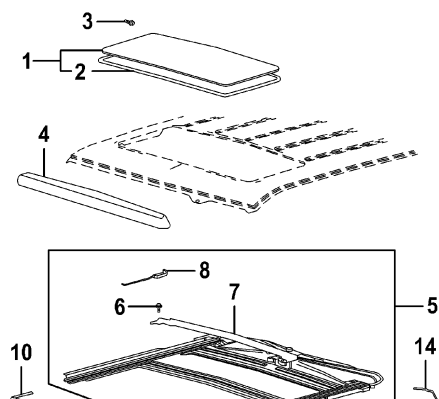
1 Glass, Rear Door
Ford

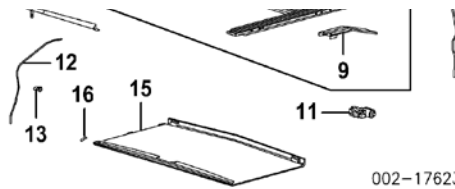
Green	R	9L3Z 1625712 B	\$387.27	#1.0
	L	9L3Z 1625713 B	\$389.07	#1.0
Privacy w/Platinum Model	R	9L3Z 1625712 C	\$249.92	#1.0
	L	9L3Z 1625713 C	\$236.95	#1.0
w/o Platinum Model	R	9L3Z 1625712 A	\$266.18	#1.0
	L	9L3Z 1625713 A	\$267.27	#1.0
NAGS				
Green	R	DD11518GTN		#1.0
	L	DD11519GTN		#1.0
Privacy w/Platinum Model	R	DD11520YPN	\$253.05	#1.0
	L	DD11521YPN	\$253.05	#1.0
w/o Platinum Model	R	DD11518YPN	\$232.65	#1.0
	L	DD11519YPN	\$232.65	#1.0
<i>#Includes R&I/R&R Door Speaker</i>				
2 Run, Glass	R	9L3Z 1625766 A	\$141.75	#.2
	L	9L3Z 1625767 A	\$141.95	#.2
<i>#w/Door Glass Removed</i>				
3 Moulding, Outer Belt-See Exterior Trim Section				
4 Weatherstrip, Inner Belt-See Interior Trim Section				
5 Moulding, Trim	R	9L3Z 16736 A	\$18.87	
	L	9L3Z 16736 A	\$18.87	
6 Regulator, Power Window 2009-10	R	9L3Z 1627000 A	\$114.83	#1.1
	L	9L3Z 1627001 A	\$114.83	#1.1
2011 To 4-27-11	R	9L3Z 1627000 A	\$114.83	#1.1
	L	9L3Z 1627001 A	\$114.83	#1.1
From 4-27-11	R	BL3Z 1627000 A	\$105.88	#1.1
	L	BL3Z 1627001 A	\$110.23	#1.1
2012-14	R	9L3Z 1627000 A	\$114.83	#1.1
	L	9L3Z 1627001 A	\$114.83	#1.1

#w/Door Glass Removed Deduct .8

7 Motor, Regulator-Serviced w/Power Window
Regulator

SUNROOF





002-17623

R&I Sunroof Glass Assy			.5
R&I Sunroof			#1.2
O/H Sunroof (Includes R&I)			#3.0
#w/Headliner Removed			
R&I Air Deflector			.3

NOTE: All Parts in this section are included in O/H unless noted otherwise.

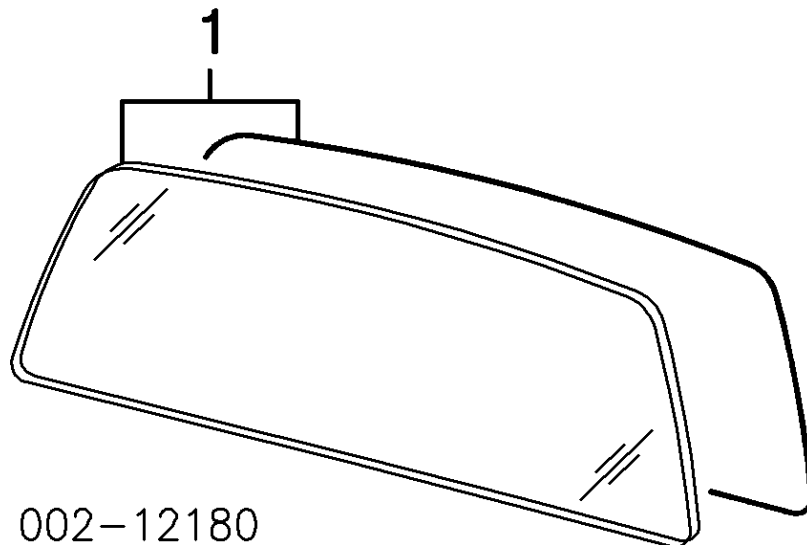
1 Glass Assy, Sunroof				
Ford		9C3Z 18500A18 A	\$925.27	.5
NAGS		DR09299YPY	\$930.95	.5
2 Seal, Glass		5L1Z 7851884 AA	\$127.27	
Included w/Sunroof Glass Assy				
3 Screw, Mounting (a)		6L1Z 26502F24 AB	\$9.31	
(a) As Required				
4 Deflector Kit, Air (a)				
Dealer Installed		9L3Z 16500A26 A	\$64.29	.3
(a) Contact Dealer for Price & Availability				
5 Rail Assy, Sunroof		9L3Z 1651070 C	\$1,011.70	#3.0
#w/Headliner Removed				
6 Bolt, Mounting (2/Side) (b)	R	3C3Z 26502F36 AC	\$2.57	
	L	3C3Z 26502F36 AC	\$2.57	
7 Rail, Drain (b)		9L3Z 7854022 A	\$95.83	.2
8 Guide, Sunroof (b)	R	4C3Z 78500A64 AA	\$39.70	
	L	4C3Z 78500A65 AA	\$55.73	
9 Bracket, Rear (b)				
Extended Cab		9L3Z 18502P74 A	\$59.10	
Crew Cab		9L3Z 16502P74 A	\$63.02	
(b) Included w/Sunroof Rail Assy				
10 Deflector, Air		8C3Z 26500A26 A	\$176.03	.2
11 Motor, Sunroof		9L3Z 15790 A	\$174.00	#.2
#w/Headliner Removed				
12 Hose, Front Drain	R	BL3Z 18502C52 A	\$7.13	
	L	BL3Z 18502C52 A	\$7.13	
13 Clip, Hose	R	* W713689 S300	\$1.03	
	L	* W713689 S300	\$1.03	
14 Hose, Rear Drain				
Extended Cab	R	9L3Z 18502C52 A	\$85.98	
	L	9L3Z 18502C52 A	\$85.98	
Crew Cab	R	9L3Z 16502C52 A	\$35.60	
	L	9L3Z 16502C52 A	\$35.60	
15 Sunshade, Sunroof				
2009-10				
Black		9L3Z 18519A02 AC	\$267.87	#.3
Camel		9L3Z 18519A02 AB	\$267.87	#.3
Stone		9L3Z 18519A02 AA	\$267.87	#.3
2011				
Adobe		BL3Z 18519A02 AA	\$317.28	#.3

Black			
FX2, FX4 Model	9L3Z 18519A02 AC	\$267.87	#.3
Lariat Model			
w/Chrome Pkg	BL3Z 18519A02 AB	\$316.93	#.3
w/o Chrome Pkg	9L3Z 18519A02 AC	\$267.87	#.3
Platinum, Lariat Limited Model	9L3Z 18519A02 AC	\$267.87	#.3
Harley-Davidson Model	9L3Z 18519A02 AC	\$267.87	#.3
Steel	BL3Z 18519A02 AB	\$316.93	#.3
2012			
Adobe	BL3Z 18519A02 AA	\$317.28	#.3
Black			
FX2, FX4 Model	9L3Z 18519A02 AC	\$267.87	#.3
Lariat Model			
w/Chrome Pkg	BL3Z 18519A02 AB	\$316.93	#.3
w/o Chrome Pkg	9L3Z 18519A02 AC	\$267.87	#.3
Platinum, Harley-Davidson Model	9L3Z 18519A02 AC	\$267.87	#.3
Steel	BL3Z 18519A02 AB	\$316.93	#.3
2013-14 (a)	BL3Z 18519A02 AB	\$316.93	#.3
(a) Order by Application			
#w/Glass Assy Removed			
16 Guide, Sunshade (2/Side)	R 6L2Z 78502C10 A	\$41.75	
	L 6L2Z 78502C10 A	\$41.75	

BACK WINDOW

Use Procedure Explanation 19 with the following text.

FIXED



R&I Back Window Glass

#w/Seat Back Assy Removed, Includes Clean Up Adhesive as Necessary, w/Headliner Removed Deduct 1.0

1 Glass, Back Window
Ford

#2.3

Heated	09	BL3Z 1542006 A	\$375.72	#2.0
	10	AL3Z 1542006 B	\$286.83	#2.0
	11-14	BL3Z 1542006 A	\$375.72	#2.0
Non-Heated				
Green		9L3Z 1542006 D	\$315.77	#2.0
Privacy		9L3Z 1542006 E	\$276.68	#2.0
NAGS				
Heated	09	DB11523YPY	\$381.65	#2.0
	10	DB11710YPY	\$392.85	#2.0
	11-14	DB11523YPY	\$381.65	#2.0
Non-Heated				
Green		DB11522GTY	\$314.15	#2.0
Privacy		DB11522YPY	\$310.95	#2.0

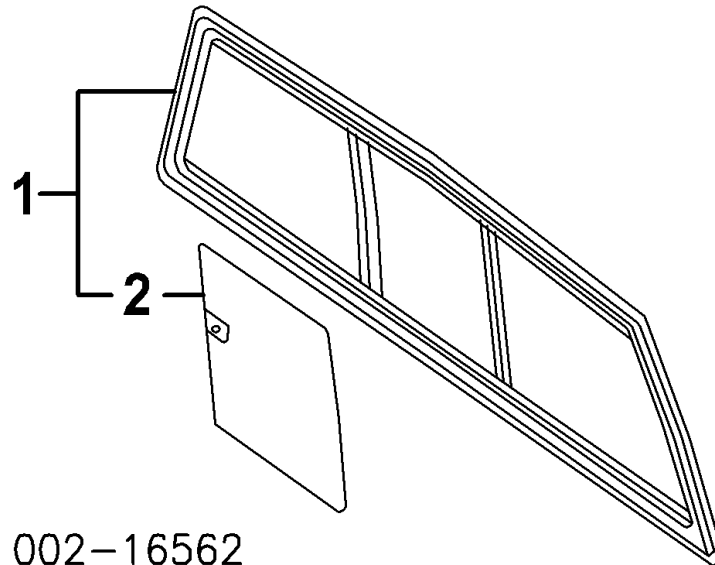
#w/Seat Back Assy Removed, Includes Clean Up Adhesive as Necessary, w/Headliner Removed Deduct 1.0

Adhesive, Glass (a)

N.A.

(a) As Required

SLIDING SLIDING MANUAL



002-16562

R&I Back Window Assy

#2.3

#w/Seat Back Assy Removed, Includes Clean Up Adhesive as Necessary, w/Headliner Removed Deduct 1.0

1 Window Assy, Back

Ford

9L3Z 1542006 F

\$345.00

#2.0

NAGS

DB11576YPY

\$615.90

#2.0

2 Glass, Center

Ford

9L3Z 1542006 B

\$236.22

#2.4

NAGS

DB10767YPY

\$379.00

#2.4

Included w/Back Window Assy

Adhesive, Glass (a)

N.A.

(a) As Required

Window Kit, Back (a)

Dealer Installed

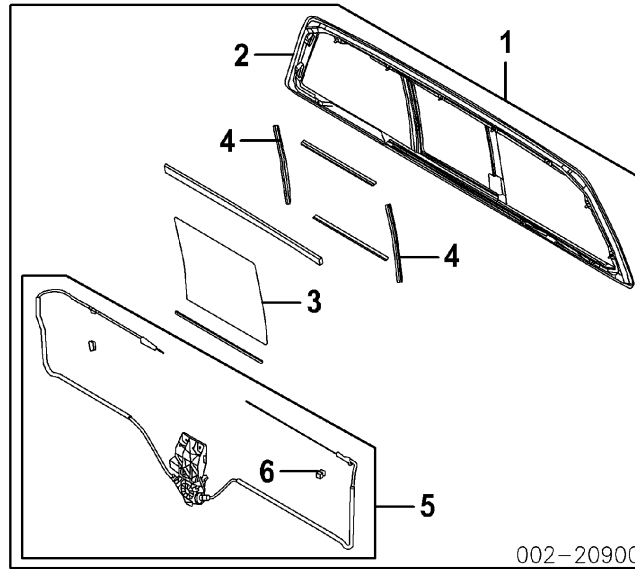
9L3Z 15422B30 A

\$285.00

#2.0

(a) Contact Dealer for Price & Availability
 #w/Seat Back Assy Removed, Includes Clean Up Adhesive as
 Necessary, w/Headliner Removed Deduct 1.0

SLIDING SLIDING POWER



R&I Back Window Assy

#2.6

#w/Seat Back Assy Removed, Includes Clean Up Adhesive as
 Necessary, w/Headliner Removed Deduct 1.0

1 Window Assy, Back

Ford

2009	9L3Z 15422B30 B	\$704.95	#2.3
2010-12	DL3Z 15422B30 F	\$594.70	#2.3
2013-14			
Green	DL3Z 15422B30 E	\$654.23	#2.3
Privacy	DL3Z 15422B30 F	\$594.70	#2.3
NAGS			
	09	DB11577YPY	\$889.45 #2.3
	10	DB11708YPY	\$864.00 #2.3
	11-12	DB11921YPY	\$881.05 #2.3
	13-14	DB12147YPY	\$916.90 #2.3

2 Glass, Back

Ford

2009-Serviced w/Back Glass Assy			
2010-14			
Green	AL3Z 1542006 E	\$666.52	#2.7
Privacy	AL3Z 1542006 F	\$667.83	#2.7

NAGS-Serviced w/Back Glass Assy

3 Glass, Center

Ford-Serviced w/Back Window Assy

NAGS

2009			
w/Attachments	DB10672YPY		#2.7
w/o Attachments	DB10672YPN	\$212.60	#2.7

2010-14

DB11709YPY

#2.7

#w/Seat Back Assy Removed, Includes Clean Up Adhesive as Necessary, w/Headliner Removed Deduct 1.0

4 Weatherstrip, Glass (On Glass)
2009-Serviced w/Back Glass Assy
2010-14

AL3Z 15262A80 A \$90.27

5 Motor/Drive Assy 09
10-14

9L3Z 1523394 A \$202.82 #.2
AL3Z 1523394 A \$266.52 #.2

#w/Back Window Removed

6 Clip, Cable (4) (b)
(b) Included w/Motor/Drive Assy
Included w/Back Window Assy

* W707419 S300 \$1.03

Adhesive, Glass (a)

N.A.

(a) As Required

Window Kit, Back (a)

Dealer Installed

AL3Z 15422B30 B \$421.43 #2.3

#w/Seat Back Assy Removed, Includes Clean Up Adhesive as Necessary, w/Headliner Removed Deduct 1.0

Harness, Wiring (a)

Dealer Installed

9L3Z 14A411 A \$179.83

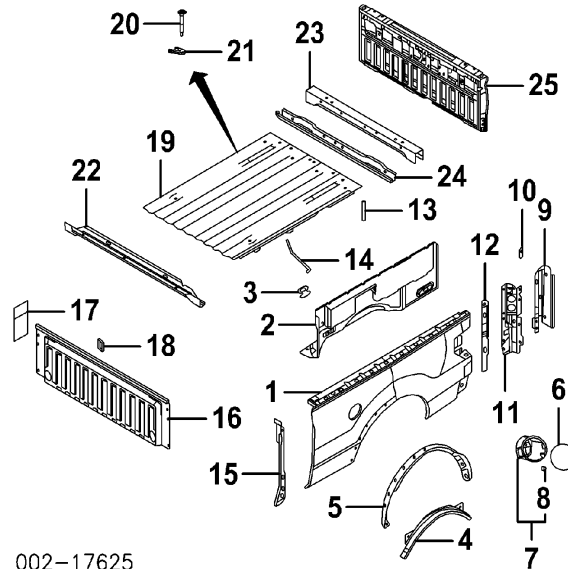
(a) Contact Dealer for Price & Availability

PICKUP BED

Use Procedure Explanations 21 and 28
with the following text.

SHEET METAL

SHEET METAL STYLESIDE



002-17625

Refinish Complete Bed Assy Including Tailgate

6 Foot Bed Including Tailgate

#10.0

Add for 2 Tone Including Tailgate

2.4

Refinish Complete Bed Assy 7 Foot Bed

#10.5

Including Tailgate

Add for 2 Tone Including Tailgate

2.7

Refinish Complete Bed Assy 8 Foot Bed		#11.5
Including Tailgate		
Add for 2 Tone Including Tailgate		3.0
#Includes Refinish Floor & Insides		
Refinish Undersides (If Necessary)		
Refinish Box Complete (If Necessary)		#4.0
Refinish Floor/Crossmembers (If Necessary)		#2.0
Side Panel (If Necessary)	R	#1.3
	L	#1.3
#Not Included in Refinish Bed Complete		
Refinish Outer Panel		
6 Foot Bed	R	3.0
	L	3.0
7 Foot Bed	R	3.2
	L	3.2
8 Foot Bed	R	3.5
	L	3.5
Refinish Inner Panel		
6 Foot Bed	R	1.1
	L	1.1
7 Foot Bed	R	1.3
	L	1.3
8 Foot Bed	R	1.6
	L	1.6
Refinish Panel Reinforcement	R	.5
	L	#.5
Refinish Fuel Door	L	#.5
#Included in Refinish Left Outer Panel		
Add for Inside	L	.2
Refinish Floor Pan Complete		
6 Foot Bed		#3.4
7 Foot Bed		#3.6
8 Foot Bed		#4.0
#Includes Rear Crossmember		
Refinish Rear Crossmember		1.0
Refinish Front Panel Complete		2.3
Refinish Inside		1.2
R&I Bed Assy		2.5
Apply Spray-On Bed Liner		
Apply Spray-On Bed Liner Bed Inside		4.0
Complete		
Apply Spray-On Bed Liner Bed Side Inner	R	3.0
Panel	L	3.0
Apply Spray-On Bed Liner Bed Side Outer	R	.3
Panel Cap	L	.3
Apply Spray-On Bed Liner Front Bed Panel		.7
Apply Spray-On Bed Liner Bed Floor		2.0
Apply Spray-On Bed Liner Rear Floor Sill		.5
Apply Spray-On Bed Liner Tailgate Inside		.7
Bed, Complete		
Conventional Tailgate		

6 Foot Bed						
w/Wheel Opening Mldgs			BL3Z 8428508 D	\$1,959.40	5.2	
w/o Wheel Opening Mldgs			BL3Z 8428508 C	\$2,071.68	4.6	
7 Foot Bed						
w/Wheel Opening Mldgs			BL3Z 9928508 H	\$2,185.25	5.2	
w/o Wheel Opening Mldgs			BL3Z 9928508 F	\$2,176.93	4.6	
8 Foot Bed			BL3Z 9928508 E	\$2,372.33	4.6	
Step Tailgate (a)						
6 Foot Bed						
w/Wheel Opening Mldgs			BL3Z 8428508 D	\$1,959.40	5.2	
w/o Wheel Opening Mldgs			BL3Z 8428508 C	\$2,071.68	4.6	
7 Foot Bed						
w/Wheel Opening Mldgs			BL3Z 9928508 H	\$2,185.25	5.2	
w/o Wheel Opening Mldgs			BL3Z 9928508 F	\$2,176.93	4.6	
8 Foot Bed			BL3Z 9928508 E	\$2,372.33	4.6	
(a) Add'l Parts &/or Dealer Contact Required						
Includes Conventional Tailgate						
1 Panel, Outer Side						
6 Foot Bed						
w/Wheel Opening Mldgs		R	9L3Z 8427840 A	\$596.58	#12.3	
		L	9L3Z 8427841 A	\$596.58	#12.8	
#Includes R&I Bed Assy & R&R Wheel Opening Mldg, w/Front Panel Extension Removed Deduct .5						
w/o Wheel Opening Mldgs		R	9L3Z 8427840 B	\$596.58	#12.0	
		L	9L3Z 8427841 B	\$596.58	#12.5	
#Includes R&I Bed Assy, w/Front Panel Extension Removed Deduct .5						
7 Foot Bed						
w/Wheel Opening Mldgs		R	9L3Z 9927840 C	\$679.20	#13.3	
		L	9L3Z 9927841 C	\$647.15	#13.8	
#Includes R&I Bed Assy & R&R Wheel Opening Mldg, w/Front Panel Extension Removed Deduct .5						
w/o Wheel Opening Mldgs		R	9L3Z 9927840 B	\$647.15	#13.0	
		L	9L3Z 9927841 B	\$657.83	#13.5	
8 Foot Bed		R	9L3Z 9927840 A	\$866.97	#14.0	
		L	9L3Z 9927841 A	\$866.97	#14.5	
#Includes R&I Bed Assy, w/Front Panel Extension Removed Deduct .5						
Adhesive, Panel Bonding (a)			TA 1	\$49.98		
(a) As Required						
2 Panel, Inner Side						
6 Foot Bed		R	4L3Z 8427864 BA	\$315.10	#3.5	
		L	4L3Z 8427865 BA	\$315.10	#3.5	
7 Foot Bed		09-13	R	8L3Z 9927864 A	\$339.52	#4.0
			L	8L3Z 9927865 A	\$343.92	#4.0
		14	R	CL3Z 9927864 C	\$438.97	#4.0
			L	CL3Z 9927865 C	\$439.07	#4.0
8 Foot Bed		R	4L3Z 9927864 AA	\$397.42	#4.5	
		L	4L3Z 9927865 AA	\$397.67	#4.5	
#Deduct .5 w/Front Panel Removed						
3 Hook, Tie-Down (2/Side)						
Chrome		R	3L3Z 9900064 AA	\$16.53		
		L	3L3Z 9900064 AA	\$16.53		

Black	R	YL3Z 9900064 AAA	\$3.94	
	L	YL3Z 9900064 AAA	\$3.94	
4 Panel, Outer Wheelhouse	R	4L3Z 9927886 AA	\$108.42	#1.5
	L	4L3Z 9927887 AA	\$111.05	#1.5
Adhesive, Panel Bonding (a)		TA 1	\$49.98	
(a) As Required				
5 Panel, Inner Wheelhouse	R	F65Z 9927886 AH	\$69.65	#1.5
	L	F65Z 9927887 AD	\$69.52	#1.5
#R&R One Side Complete, w/Inner Side Panel Removed Deduct .5				
6 Door, Fuel Filler	L	9L3Z 99405A26 AA	\$60.72	.3
7 Housing, Fuel Filler	L	9L3Z 9927936 B	\$62.57	
8 Bumper, Fuel Door-Serviced w/Fuel Filler Housing				
9 Pillar, Rear Corner				
6 Foot Bed	R	9L3Z 8441032 A	\$93.82	#4.0
	L	9L3Z 8441033 A	\$93.93	#4.0
7 Foot Bed, 8 Foot Bed	R	9L3Z 9941032 A	\$98.68	#4.0
	L	9L3Z 9941033 A	\$98.68	#4.0
10 Roller, Hinge	R	4L3Z 83430B38 AA	\$11.40	
	L	4L3Z 83430B39 AA	\$15.58	
11 Reinf, Rear Corner	R	9L3Z 9941058 A	\$65.78	.7
	L	9L3Z 9941059 A	\$72.47	.7
12 Pillar, Inner Rear	R	9L3Z 9941022 A	\$30.82	#4.0
	L	9L3Z 9941023 A	\$62.38	#4.0
#R&R One Side Complete, w/Rear Sill Panel Removed Deduct .5				
13 Plate, Hinge Anchor	R	E7TZ 9943488 A	\$6.83	
	L	E7TZ 9943488 A	\$6.83	
14 Support, Panel				
Front	R	6L3Z 99279A30 B	\$42.95	
	L	6L3Z 99279A31 B	\$41.92	
Rear	R	6L3Z 99279A30 A	\$21.25	
	L	6L3Z 99279A31 A	\$20.08	
15 Extension, Front Panel	R	4L3Z 9900374 AA	\$91.55	#2.5
	L	4L3Z 9900375 AA	\$113.58	#2.5
#w/Bed Assy Removed				
16 Panel, Front		5L3Z 9900124 A	\$398.00	#7.0
#w/Bed Assy Removed, Deduct 2.5 for Each Front Panel Extension Removed				
17 Insulator	R	4L3Z 18203A16 AA	\$12.18	
	L	4L3Z 18203A16 AA	\$12.18	
18 Plug, Panel (2)		4L3Z 99277B76 AA	\$8.98	
19 Panel, Floor				
6 Foot Bed		AL3Z 8411215 A	\$446.12	#11.0
7 Foot Bed				
2009-12		AL3Z 9911215 B	\$514.07	#12.0
2013				
To 8-5-13		AL3Z 9911215 B	\$514.07	#12.0
From 8-5-13		CL3Z 9911215 A	\$459.53	#12.0
2014		CL3Z 9911215 A	\$459.53	#12.0
8 Foot Bed		AL3Z 9911215 A	\$623.27	#14.0
#w/Bed Assy Removed, Deduct 2.0 w/Each Inner Panel Removed, Deduct 1.0 w/Front Panel Removed				

20 Bolt, Bed Attaching (a) (b)	R	* W709424 S901	\$15.52
	L	* W709424 S901	\$15.52
21 Clip, Attaching (a) (b)			
Front	R	* W708605 S436	\$5.30
	L	* W708605 S436	\$5.30
Rear	R	* W712174 S436	\$4.28
	L	* W712174 S436	\$4.28

(a) As Required

(b) Non-Reusable Part

22 Crossmember, Front				
6 Foot Bed		4L3Z 8410610 EA	\$139.22	#2.5
7 Foot Bed, 8 Foot Bed		9L3Z 9910610 A	\$129.45	#2.5
23 Sill, Rear		9L3Z 9910608 A	\$279.77	#6.5
24 Crossmember, Rear				
7 Foot Bed, 8 Foot Bed		9L3Z 99108A12 A	\$110.12	#2.0
Adhesive, Panel Bonding (a)		TA 1	\$49.98	

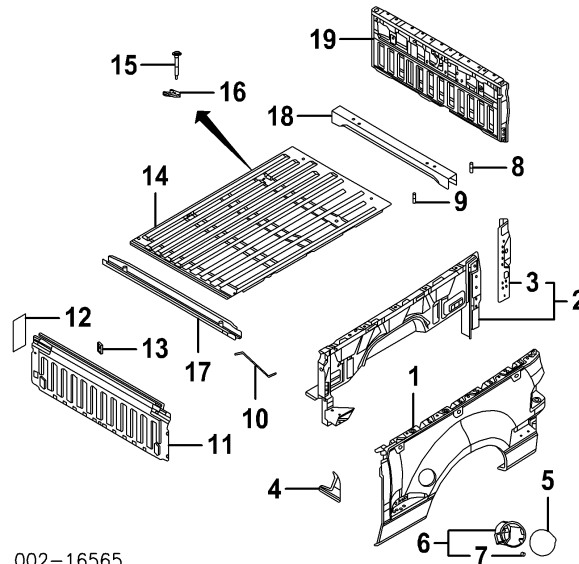
#w/Bed Assy Removed

(a) As Required

25 Shell Assy, Tailgate-See Tailgate Section

SHEET METAL

SHEET METAL FLARESIDE 2009



002-16565

Refinish Bed Assy Complete (Includes Tailgate)

#12.0

#Includes Refinish Floor & Insides

Add for 2 Tone (Includes Tailgate)

Refinish Outside Panel

R

1.3

L

3.6

R

3.6

Refinish Inside Panel

L

1.5

1.5

Refinish Floor Pan

3.6

Refinish Rear Crossmember

1.0

Refinish Front Panel Complete

2.3

Refinish Inside

1.2

Refinish Fuel Door	L			#.5
#Included in Refinish Left Outside Panel				
Add for Inside	L			.2
R&I Bed Assy				2.5
Apply Spray-On Bed Liner				
Apply Spray-On Bed Liner Bed Inside				4.0
Complete				
Apply Spray-On Bed Liner Bed Side Inner Panel	R			3.0
	L			3.0
Apply Spray-On Bed Liner Bed Side Outer Panel Cap	R			.3
	L			.3
Apply Spray-On Bed Liner Front Bed Panel				.7
Apply Spray-On Bed Liner Bed Floor				2.0
Apply Spray-On Bed Liner Rear Floor Sill				.5
Apply Spray-On Bed Liner Tailgate Inside				.7
Bed, Complete				
w/Wheel Opening Mldgs		9L3Z 8328508 B	\$3,540.87	5.8
w/o Wheel Opening Mldgs		9L3Z 8328508 A	\$3,683.32	5.2
Includes Conventional Tailgate				
1 Panel, Outer Side				
w/Wheel Opening Mldgs	R	4L3Z 8327840 EA	\$889.85	#4.0
	L	4L3Z 8327841 EA	\$887.82	#4.3
#Includes R&I Bed Assy & R&R Wheel Opening Mldg				
w/o Wheel Opening Mldgs	R	4L3Z 8327840 FA	\$905.47	#3.7
	L	4L3Z 8327841 FA	\$858.10	#4.0
#Includes R&I Bed Assy				
2 Panel Assy, Inner Side	R	9L3Z 8327864 A	\$760.27	#5.5
	L	9L3Z 8327865 A	\$760.27	#5.5
3 Pillar, Rear Corner (c)	R	4L3Z 8341032 AA	\$117.13	#1.5
	L	4L3Z 8341033 AA	\$117.13	#1.5
(c) Included w/Inner Side Panel Assy				
4 Panel, Inner Wheelhouse	R	4L3Z 8328370 AA	\$75.72	#1.5
	L	4L3Z 8328371 AA	\$75.72	#1.5
#Included in R&R Inner Panel				
5 Door, Fuel Filler	L	9L3Z 83405A26 AA	\$65.58	.3
6 Housing, Fuel Filler	L	9L3Z 8327936 A	\$82.62	
7 Bumper, Fuel Door-Serviced w/Fuel Filler Housing				
8 Roller, Hinge	R	4L3Z 83430B38 AA	\$11.40	
	L	4L3Z 83430B39 AA	\$15.58	
9 Plate, Hinge Anchor	R	F65Z 8343488 AC	\$8.47	
	L	F65Z 8343488 AC	\$8.47	
10 Support, Panel	R	4L3Z 8328260 AA	\$21.87	
	L	4L3Z 8328261 AA	\$21.87	
11 Panel, Front		4L3Z 8300124 AA	\$224.02	#5.0
#w/Bed Assy Removed, w/Inner Side Panel Removed Deduct 1.5				
12 Insulator	R	4L3Z 18203A16 AA	\$12.18	
	L	4L3Z 18203A16 AA	\$12.18	
13 Plug, Panel (2)		4L3Z 99277B76 AA	\$8.98	
14 Panel, Floor		AL3Z 9911215 B	\$514.07	#14.0
#w/Bed Assy Removed, Deduct 2.0 w/Each Inner Panel				

Removed, Deduct 1.0 w/Front Panel Removed

15 Bolt, Bed Attaching (a) (b)	R	* W709424 S901	\$15.52	
	L	* W709424 S901	\$15.52	
16 Clip, Attaching (a) (b)				
Front	R	* W708605 S436	\$5.30	
	L	* W708605 S436	\$5.30	
Rear	R	* W712174 S436	\$4.28	
	L	* W712174 S436	\$4.28	

(a) As Required

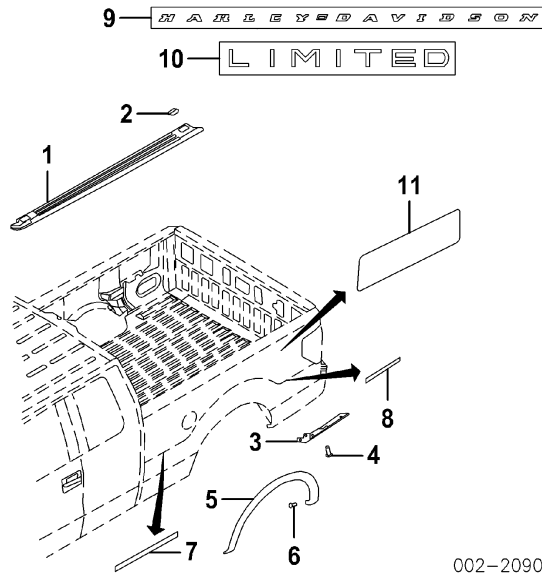
(b) Non-Reusable Part

17 Crossmember, Front		4L3Z 8310610 AA	\$118.87	#2.5
18 Sill, Rear		9L3Z 8310608 A	\$215.12	#7.0

#w/Bed Assy Removed

19 Shell Assy, Tailgate-See Tailgate Section

EXTERIOR TRIM
EXTERIOR TRIM STYLESIDE



002-20901

Refinish Wheel Opening Moulding	R			1.0
	L			1.0
R&I Bed Rail Moulding	R			.4
	L			.4
R&I Wheel Opening Moulding	R			.3
	L			.3

1 Moulding, Bed Rail

6 Foot Bed

Adobe	11-14	R	BL3Z 84291A40 AA	\$83.93	.4
		L	BL3Z 84291A41 AA	\$83.93	.4
Black		R	9L3Z 84291A40 AC	\$87.47	.4
		L	9L3Z 84291A41 AC	\$92.02	.4
Pueblo Gold	09-10	R	9L3Z 84291A40 AD	\$87.47	.4
		L	9L3Z 84291A41 AD	\$87.47	.4

7 Foot Bed

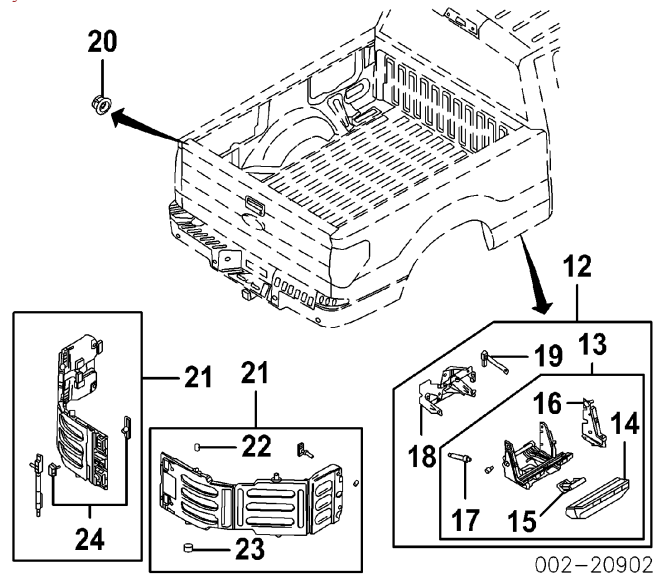
Adobe	11-14	R	BL3Z 99291A40 BA	\$100.18	.4
-------	-------	---	------------------	----------	----

		L	BL3Z 99291A41 BA	\$100.18	.4
Black		R	9L3Z 99291A40 BA	\$101.77	.4
		L	9L3Z 99291A41 BA	\$101.77	.4
Pueblo Gold	09-10	R	9L3Z 99291A40 BB	\$101.08	.4
		L	9L3Z 99291A41 BB	\$101.08	.4
8 Foot Bed		R	9L3Z 99291A40 AA	\$122.32	.4
		L	9L3Z 99291A41 AA	\$125.20	.4
2 Plug, Moulding (a)					
Adobe	11-12	R	N.A.		
		L	N.A.		
Black		R	5L3Z 99290D90 AAA	\$11.72	
		L	5L3Z 99290D90 AAA	\$11.72	
Pueblo Gold	09-10	R	7L3Z 99290D90 AA	\$15.90	
		L	7L3Z 99290D90 AA	\$15.90	
(a) As Required					
3 Shield, Stone					
Adobe	11-14	R	BL3Z 99292A22 AA	\$7.92	.2
		L	BL3Z 99292A23 AA	\$7.92	.2
Black		R	5L3Z 99292A22 AAA	\$21.37	.2
		L	5L3Z 99292A23 AAA	\$18.75	.2
Pueblo Gold	09-10	R	7L3Z 99292A22 AA	\$22.65	.2
		L	7L3Z 99292A23 AA	\$22.65	.2
4 Clip, Shield (a)					
Type 1		R	* W709346 S300	\$1.07	
		L	* W709346 S300	\$1.07	
Type 2		R	* W705589 S	\$1.82	
		L	* W705589 S	\$1.82	
(a) As Required					
5 Mldg, Wheel Opening					
Textured		R	9L3Z 9929164 B	\$156.83	.3
		L	9L3Z 9929165 B	\$156.83	.3
Paint to Match		R	9L3Z 9929164 APTM	\$223.02	.3
		L	9L3Z 9929165 APTM	\$223.02	.3
6 Clip, Moulding (a)		R	* W705589 S	\$1.82	
		L	* W705589 S	\$1.82	
(a) As Required					
7 Moulding, Front Side (Adhesive)					
Platinum Model					
6 Foot Bed		R	9L3Z 9929076 A	\$80.93	.2
		L	9L3Z 9929077 A	\$80.93	.2
7 Foot Bed		R	9L3Z 9929076 B	\$97.38	.2
		L	9L3Z 9929077 B	\$107.13	.2
8 Moulding, Rear Side (Adhesive)					
Platinum Model		R	9L3Z 9929038 A	\$81.43	.2
		L	9L3Z 9929039 A	\$81.43	.2
Nameplate (Adhesive)					
9 "Harley-Davidson"	10	R	AL3Z 8442528 A	\$106.95	.2
		L	AL3Z 8442528 A	\$106.95	.2
	11-12	R	BL3Z 8442528 A	\$103.03	.2
		L	BL3Z 8442528 A	\$103.03	.2
10 "LIMITED"	11	R	8L3Z 8442528 A	\$104.65	.2

		L	8L3Z 8442528 A	\$104.65	.2
	13	R	8L3Z 8442528 A	\$104.65	.2
		L	8L3Z 8442528 A	\$104.65	.2
11 Decal, Bed Side					
"FX2 SPORT"	10-11	R	AL3Z 9925622 AB	\$82.50	#.2
		L	AL3Z 9925622 AB	\$82.50	#.2
	12-14	R	CL3Z 9925622 AA	\$81.90	#.2
		L	CL3Z 9925622 AA	\$81.90	#.2
"FX4 OFF ROAD"	09-11	R	9L3Z 9925622 AA	\$73.08	#.2
		L	9L3Z 9925622 AA	\$73.08	#.2
	12-14	R	CC3Z 9925622 AA	\$72.15	#.2
		L	CC3Z 9925622 AA	\$72.15	#.2
"SFE"	09-10	R	AL3Z 9925622 CA	\$67.98	#.2
		L	AL3Z 9925622 CA	\$67.98	#.2
"STX"	09-13	R	9L3Z 9925622 GA	\$64.40	#.2
		L	9L3Z 9925622 GA	\$64.40	#.2
	14	R	EL3Z 9925622 AB	\$78.57	#.2
		L	EL3Z 9925622 AB	\$78.57	#.2
"STX 4X4"					
2009					
To 2-24-09		R	9L3Z 9925622 DA	\$70.23	#.2
		L	9L3Z 9925622 DA	\$70.23	#.2
From 2-24-09		R	9L3Z 9925622 HA	\$64.40	#.2
		L	9L3Z 9925622 HA	\$64.40	#.2
2010-13		R	9L3Z 9925622 HA	\$64.40	#.2
		L	9L3Z 9925622 HA	\$64.40	#.2
2014		R	EL3Z 9925622 BB	\$78.57	#.2
		L	EL3Z 9925622 BB	\$78.57	#.2
"STX SPORT"	14	R	EL3Z 9925622 AA	\$80.60	#.2
		L	EL3Z 9925622 AA	\$80.60	#.2
"STX SPORT 4X4"	14	R	EL3Z 9925622 BA	\$80.60	#.2
		L	EL3Z 9925622 BA	\$80.60	#.2
"TREMOR"	14	R	EL3Z 9925622 CA		#.2
		L	EL3Z 9925622 CA		#.2
"XTR"	10-14	R	AL3Z 9925622 AA	\$85.12	#.2
		L	AL3Z 9925622 AA	\$85.12	#.2
"XTR 4x4"	10-14	R	AL3Z 9925622 BA	\$76.07	#.2
		L	AL3Z 9925622 BA	\$76.07	#.2
"4X4"					
Pale Adobe	11-14	R	BL3Z 9925622 BA	\$42.95	#.2
		L	BL3Z 9925622 BA	\$42.95	#.2
Brilliant Silver		R	9L3Z 9925622 EB	\$43.62	#.2
		L	9L3Z 9925622 EB	\$43.62	#.2
Pueblo Gold	09-10	R	9L3Z 9925622 EA	\$44.00	#.2
		L	9L3Z 9925622 EA	\$44.00	#.2
Sterling Gray		R	9L3Z 9925622 EC	\$43.62	#.2
		L	9L3Z 9925622 EC	\$43.62	#.2
"4X4 OFF ROAD"					
Type 1	11-14	R	BL3Z 9925622 AC	\$43.33	#.2
		L	BL3Z 9925622 AC	\$43.33	#.2

Type 2	11-14	R	BL3Z 9925622 AB	\$45.00	#.2
		L	BL3Z 9925622 AB	\$45.00	#.2
Type 3	11-14	R	BL3Z 9925622 AA	\$43.33	#.2
		L	BL3Z 9925622 AA	\$43.33	#.2

#Labor Time is for Installation Only



12 Step Assy, Complete
 Factory Installed-Serviced by Components
 Dealer Installed (a)

7 Foot Bed	R	9L3Z 1520040 D	\$359.00	.3
	L	9L3Z 1520040 B	\$359.00	.3
8 Foot Bed	R	9L3Z 1520040 E	\$359.00	.3
	L	9L3Z 1520040 C	\$359.00	.3

(a) Contact Dealer for Price & Availability

13 Step Assy, Side	R	AL3Z 1520040 A	\$234.11	.3
	L	AL3Z 1520040 A	\$234.11	.3
14 Cover, Step (b)	R	AL3Z 16490 B	\$130.47	.2
	L	AL3Z 16490 B	\$130.47	.2
15 Latch, Step (b)	R	9L3Z 1516516 A	\$143.15	
	L	9L3Z 1516516 A	\$143.15	
16 Cover, Side (b)	R	9L3Z 15200A20 A	\$81.30	
	L	9L3Z 15200A21 A	\$81.30	
17 Strut, Gas (b)	R	AL3Z 15200M48 A	\$87.20	
	L	AL3Z 15200M48 A	\$87.20	

(b) Included w/Side Step Assy

18 Bracket, Step				
7 Foot Bed	R	9L3Z 14A416 A		
	L	9L3Z 14A417 A		
8 Foot Bed	R	9L3Z 14A416 B		
	L	9L3Z 14A417 B		
19 Support, Step	R	9L3Z 99200B38 A	\$61.68	
	L	9L3Z 99200B39 A	\$40.60	

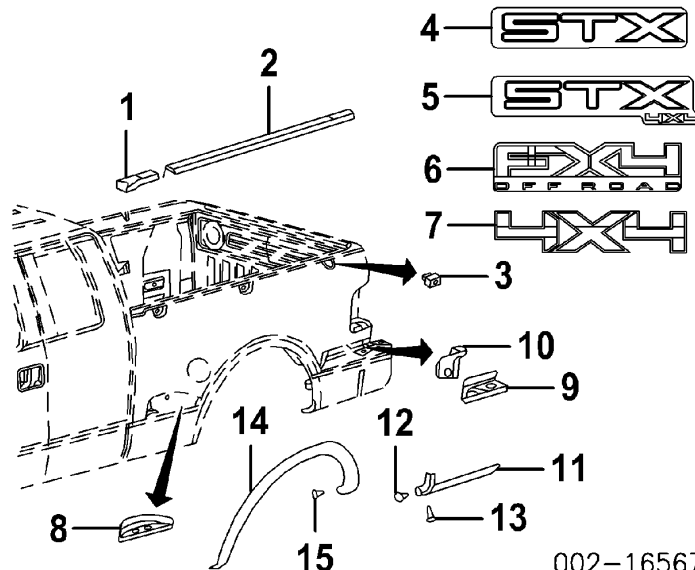
Included w/Complete Step Assy

20 Bushing, Side (2/Side)

	w/Bed Extender	R	9L3Z 99286A54 A	\$3.57
		L	9L3Z 99286A54 A	\$3.57
21	Extender Assy, Bed			
	2009	R	9L3Z 99286A40 A	\$560.50
		L	9L3Z 99286A40 B	\$642.22
	2010			
	To 9-3-10	R	9L3Z 99286A40 A	\$560.50
		L	9L3Z 99286A40 B	\$642.22
	From 9-3-10	R	AL3Z 99286A40 A	\$665.32
		L	AL3Z 99286A40 B	\$665.57
	2011-14	R	AL3Z 99286A40 A	\$665.32
		L	AL3Z 99286A40 B	\$665.57
	Bumper, Rubber (c) (a)			
22	Upper			
	w/Harley-Davidson Model	R	9L3Z 99286B27 D	\$8.33
		L	9L3Z 99286B27 D	\$8.33
	w/o Harley-Davidson Model	R	9L3Z 99286B27 E	\$8.33
		L	9L3Z 99286B27 E	\$8.33
23	Lower	R	8C3Z 99286B27 A	\$17.57
		L	8C3Z 99286B27 A	\$17.57
	(a) As Required			
24	Latch, Release (c)	L	8C3Z 9928610 A	\$28.74
	(c) Included w/Bed Extender Assy			
	Extender Kit, Bed (a) (d)			
	Dealer Installed		9L3Z 99286A40 C	\$365.00

(a) Contact Dealer for Price & Availability
(d) Includes Both Sides

EXTERIOR TRIM EXTERIOR TRIM FLARESIDE 2009



002-16567

R&I Bed Rail Moulding Complete

R
L

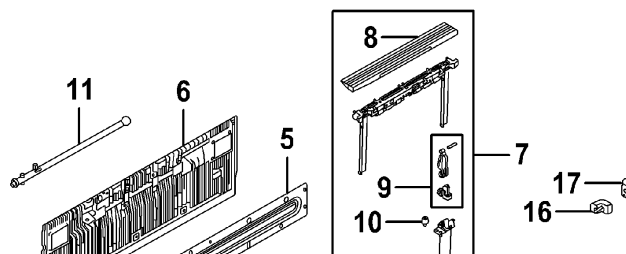
.4
.4

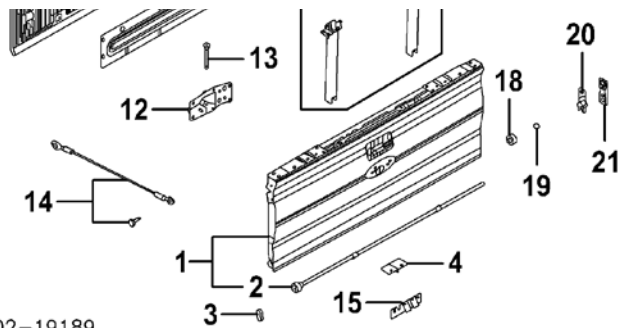
R&I Rear Bed Rail Moulding

	R				
	L				.3
	L				.3
Moulding, Bed Rail					
1 Front	R	5L3Z 83291A40 BAA	\$41.78	#.1	
	L	5L3Z 83291A41 BAA	\$41.78	#.1	
#w/Rear Moulding Removed					
2 Rear	R	5L3Z 83291A40 AAA	\$114.47	.3	
	L	5L3Z 83291A41 AAA	\$114.47	.3	
3 Hook, Tie-Down (3/Side)	R	7A2Z 8300064 AA	\$52.95	.2	
	L	7A2Z 8300064 AA	\$52.95	.2	
Decal, Bed Side					
4 "STX"	R	9L3Z 9925622 GA	\$64.40	#.2	
	L	9L3Z 9925622 GA	\$64.40	#.2	
5 "STX 4X4"	R	9L3Z 9925622 DA	\$70.23	#.2	
	L	9L3Z 9925622 DA	\$70.23	#.2	
6 "FX4 OFF ROAD"	R	9L3Z 9925622 AA	\$73.08	#.2	
	L	9L3Z 9925622 AA	\$73.08	#.2	
7 "4X4"					
Brilliant Silver	R	9L3Z 9925622 EB	\$43.62	#.2	
	L	9L3Z 9925622 EB	\$43.62	#.2	
Sterling Gray	R	9L3Z 9925622 EC	\$43.62	#.2	
	L	9L3Z 9925622 EC	\$43.62	#.2	
#Time is for Installation only					
8 Mat, Front Step	R	5L3Z 8320012 AAA	\$33.47	.2	
	L	5L3Z 8320013 AAA	\$33.47	.2	
9 Mat, Rear Step	R	5L3Z 8320012 BAA	\$35.55	.2	
	L	5L3Z 8320013 BAA	\$35.55	.2	
10 Shield, Upper	R	5L3Z 83280A02 BAA	\$27.60	.2	
	L	5L3Z 83280A03 BAA	\$27.60	.2	
11 Shield, Stone	R	5L3Z 83292A22 AAA	\$25.88	.2	
	L	5L3Z 83292A23 AAA	\$29.97	.2	
Clip, Shield (a)					
12 Type 1	R	* W709837 S300	\$2.01		
	L	* W709837 S300	\$2.01		
13 Type 2	R	* W709346 S300	\$1.07		
	L	* W709346 S300	\$1.07		
(a) As Required					
14 Mldg, Wheel Opening	R	9L3Z 8329164 A	\$163.88	.3	
	L	9L3Z 8329165 A	\$163.88	.3	
15 Clip, Moulding (a)	R	* W705589 S	\$1.82		
	L	* W705589 S	\$1.82		

(a) As Required

TAILGATE

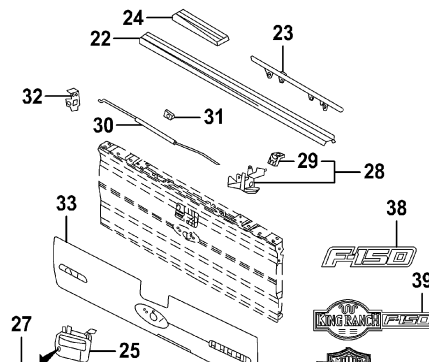


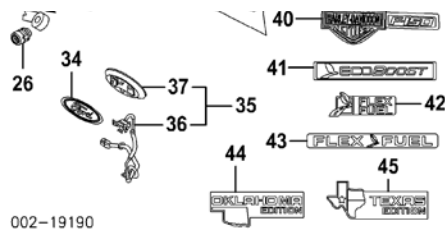


002-19189

Refinish Tailgate Complete				
Flareside				#2.8
Refinish Outside				2.1
Refinish Inside				#1.3
Refinish Tailgate Complete Styleside				#3.0
Refinish Outside				2.3
Refinish Inside				#1.4
#Includes Refinish Tailgate Cover				
Refinish Tailgate Handle				.5
Refinish Tailgate Cover				.5
R&I Tailgate				.2
R&I Tailgate Cover				.2
R&I Tailgate Moulding				
w/Integrated Step				
R&I Moulding Complete				.3
R&I Tailgate Moulding w/o Integrated Step				.2
R&I Tailgate Handle				#.4
#Includes R&I/R&R Tailgate Cover				
R&I Rear View Camera				#.5
#Includes R&R Emblem				
Add to R&R Tailgate				
w/Rear View Camera				.3
1 Shell Assy, Tailgate				
Styleside				
Conventional		BL3Z 9940700 E	\$614.20	1.0
Step		BL3Z 9940700 D	\$700.67	1.3
Flareside	09	9L3Z 8340700 A	\$805.00	1.0
2 Rod, Lower				
Conventional Tailgate		AL3Z 99402A68 A	\$82.73	#.3
Step Tailgate		AL3Z 99402A68 B	\$91.87	#.3
#Included w/Tailgate Shell Assy				
#w/Tailgate Removed				
3 Shim, Adjusting (a) (b)		4L3Z 9943152 AA	\$4.73	
(a) Order by Application				
(b) As Required				
4 Striker, Lower				
Step Tailgate		9L3Z 99404A42 A	\$8.22	
Cover, Tailgate				
5 Conventional Tailgate				
Styleside		9L3Z 9943121 A	\$90.77	.2
Flareside	09	4L3Z 8343121 AA	\$72.32	.2
6 Step Tailgate		9L3Z 99407G26 A	\$213.67	.2

7 Step Assy, Integrated				
Adobe	11-14	AL3Z 99402A48 AA	\$1,321.58	#.3
Black		9L3Z 99402A48 AA	\$1,404.20	#.3
Pueblo Gold	09-10	9L3Z 99402A48 BA	\$1,290.33	#.3
#w/Tailgate Cover Removed				
8 Moulding, Step (c)				
Adobe	11-14	BL3Z 9940602 BA	\$231.73	.1
Black		9L3Z 9940602 BA	\$226.77	.1
Pueblo Gold	09-10	9L3Z 9940602 CA	\$226.77	.1
9 Repair Kit, Step (a) (c)	R	9C3Z 99402K19 A	\$29.00	
	L	9C3Z 99402K19 A	\$29.00	
(a) Add'l Parts &/or Dealer Contact Required				
10 Bumper, Step (c)	R	8C3Z 99439A00 B	\$17.22	
	L	8C3Z 99439A00 B	\$17.22	
(c) Included w/Integrated Step Assy				
11 Handle, Integrated Step				
Styleside		9L3Z 9943300 A	\$264.65	.1
12 Insert, Tailgate				
Step Tailgate		9L3Z 99430B22 A	\$78.43	
13 Pin, Handle				
Step Tailgate		9L3Z 99402B64 A	\$16.93	
14 Cable, Tailgate				
Styleside	R	4L3Z 5443052 AA	\$28.52	.1
	L	4L3Z 5443053 AA	\$28.52	.1
Flareside	R	3L3Z 8343052 AA	\$31.10	.1
	L	3L3Z 8343053 AA	\$30.98	.1
15 Bracket, Gate				
Step Tailgate		9L3Z 99107B72 A	\$22.00	
16 Bumper, Tailgate				
Styleside	R	F65Z 99439A00 BB	\$7.58	
	L	F65Z 99439A00 BB	\$7.58	
17 Plate, Striker	R	F81Z 99431B98 AA	\$59.63	.2
	L	F81Z 99431B98 AA	\$59.63	.2
18 Insert, Tailgate	R	E7TZ 99430B22 A	\$4.43	
	L	E7TZ 99430B22 A	\$4.43	
19 Insert, Hinge Roller	R	E9TZ 99430B44 A	\$2.67	
	L	E9TZ 99430B44 A	\$2.67	
20 Roller, Hinge-See Pickup Bed Section				
21 Plate, Hinge Anchor-See Pickup Bed Section				
Moulding, Tailgate				





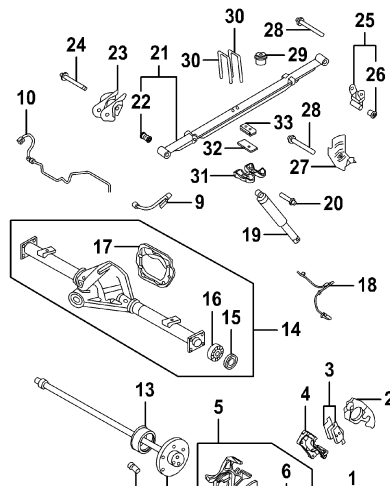
22	Conventional Tailgate					
	Styleside					
	Adobe	11-14		BL3Z 9940602 AA	\$69.40	.2
	Black			9L3Z 9940602 AA	\$63.57	.2
	Pueblo Gold	09-10		9L3Z 9940602 AB	\$63.57	.2
	Flareside	09		5L3Z 8340602 AAA	\$66.30	.2
23	Step Tailgate					
	Center					
	Adobe	11-14		BL3Z 1540602 AA	\$28.63	.1
	Black			9L3Z 1540602 AA	\$28.13	.1
	Pueblo Gold	09-10		9L3Z 1540602 AB	\$28.13	.1
24	Side					
	Adobe	11-14	R	BL3Z 9941018 AA	\$35.90	.1
			L	BL3Z 9941019 AA	\$35.90	.1
	Black		R	9L3Z 9941018 AA	\$36.67	.1
			L	9L3Z 9941019 AA	\$36.67	.1
	Pueblo Gold	09-10	R	9L3Z 9941018 AB	\$36.67	.1
			L	9L3Z 9941019 AB	\$36.67	.1
25	Handle, Tailgate					
	w/Chrome Handle					
	Flat Black			8L3Z 9943400 AB	\$83.63	#.2
	Black					
	Code UA	09		8L3Z 9943400 DB	\$115.12	#.2
	Code UH	10-14		8L3Z 9943400 DN	\$115.35	#.2
	Blue Jeans, (Code N1)	13-14		DL3Z 9943400 DB	\$95.23	#.2
	Brilliant Silver, (Code UI)	09		8L3Z 9943400 DH	\$114.65	#.2
	Dark Blue, (Code DX)	09-12		8L3Z 9943400 DD	\$114.87	#.2
	Golden Bronze, (Code JQ)	11-12		8L3Z 9943400 DT	\$98.43	#.2
	Green Gem, (Code W6)	12-14		8L3Z 9943400 DW	\$97.85	#.2
	Ingot Silver, (Code UX)	10-14		8L3Z 9943400 DM	\$115.35	#.2
	Kodiak Brown, (Code J1)	13-14		DL3Z 9943400 DA	\$94.87	#.2
	Pale Adobe, (Code LQ)	11-14		8L3Z 9943400 DS	\$98.43	#.2
	Race Red, (Code PQ)	11-14		8L3Z 9943400 DR	\$98.43	#.2
	Red Candy					
	Code U6					
	2010			8L3Z 9943400 DP	\$115.12	#.2
	2011					
	To 7-11-11			8L3Z 9943400 DP	\$115.12	#.2
	Code RZ					
	2011					
	From 7-11-11			8L3Z 9943400 DV	\$95.23	#.2
	2012			8L3Z 9943400 DV	\$95.23	#.2
	Royal Red, (Code UK)	09-10		8L3Z 9943400 DK	\$114.65	#.2

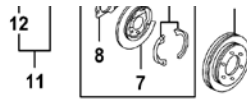
Ruby Red, (Code RR)	13-14	DL3Z 9943400 DC	\$94.87	#.2
Sterling Gray, (Code UJ)		8L3Z 9943400 DJ	\$115.35	#.2
Sunset, (Code D7)	14	8L3Z 9943400 DX	\$95.23	#.2
White Chocolate, (Code PV)	09	8L3Z 9943400 DG	\$114.40	#.2
White Platinum, (Code UG)	10-14	8L3Z 9943400 DQ	\$115.35	#.2
w/o Chrome Handle				
Black		8L3Z 9943400 AA	\$29.87	#.2
Paint to Match		8L3Z 9943400 BAPTM	\$101.00	#.2
26 Cylinder, Tailgate Lock	09-11	7C3Z 1521990 A	\$65.13	#.2
	12-14	8L3Z 1521990 C	\$91.30	#.2
#R&R Complete, w/Tailgate Cover Removed				
27 Lever, Lock Cylinder		4L3Z 1521970 BC	\$6.35	
28 Control Assy, Latch		F75Z 9943170 AA	\$37.07	#.2
#w/Tailgate Cover Removed				
29 Retainer, Rod (2) (d)				
2009		F6DZ 5421952 AA	\$12.57	
2010				
To 7-28-10		F6DZ 5421952 AA	\$12.57	
From 7-28-10		9L3Z 5421952 A	\$7.20	
2011-14		9L3Z 5421952 A	\$7.20	
(d) Included w/Latch Control Assy				
30 Rod, Latch				
Styleside				
Conventional Tailgate		R 9L3Z 99431A78 B	\$12.90	
		L 9L3Z 99431A78 B	\$12.90	
Step Tailgate		R 9L3Z 99431A78 A	\$19.92	
		L 9L3Z 99431A79 A	\$20.05	
Flareside	09	R 4L3Z 83431A78 AA	\$9.23	
		L 4L3Z 83431A78 AA	\$9.23	
31 Clip, Rod		R * N811494 S	\$6.42	
		L * N811494 S	\$6.42	
32 Latch, Tailgate		R 3L3Z 9943150 AA	\$45.45	.2
		L 3L3Z 9943150 AA	\$45.45	.2
33 Finisher, Tailgate (Adhesive)				
Platinum Model		AL3Z 99425A34 C	\$998.63	#.6
#w/Rear View Camera Removed				
34 Emblem (Adhesive)				
w/Rear View Camera				
2009-12		CL3Z 9942528 AA	\$39.62	.2
2013				
To 4-4-13		CL3Z 9942528 AA	\$39.62	.2
From 4-4-13		CL3Z 9942528 B	\$42.83	.2
2014		CL3Z 9942528 B	\$42.83	.2
w/o Rear View Camera		AA8Z 9942528 A	\$38.80	.2
35 Camera Assy, Rear View				
2009		9L3Z 19G490 B	\$220.12	#.5
2010				
To 2-1-10		9L3Z 19G490 B	\$220.12	#.5
From 2-1-10-Serviced by Components				
2011-14-Serviced by Components				
36 Camera, Rear View (e)				

2009		9L3Z 19G490 C	\$167.53	#.5
2010				
To 2-1-10		9L3Z 19G490 C	\$167.53	#.5
From 2-1-10		BL3Z 19G490 B	\$147.30	#.5
2011		BL3Z 19G490 B	\$147.30	#.5
2012-14		CL3Z 19G490 D	\$131.03	#.5
37	Housing, Camera (a) (e)	AL3Z 19H511 A	\$28.04	#.5
	(a) Add'l Parts &/or Dealer Contact Required			
	(e) Included w/Rear View Camera Assy			
	#R&R Complete, Includes R&R Emblem			
	Harness, Wiring (a)			
	Styleside			
	w/Rear View Camera	9L3Z 13A409 CB	\$96.37	
	w/o Rear View Camera	9L3Z 13A409 AB	\$96.20	
	Flareside	09	9L3Z 13A409 BB	\$54.12
	(a) Order by Application			
	Nameplate (Adhesive)			
38	"F-150"			
	Styleside			
	w/Appearance Pkg	CL3Z 9942528 A	\$57.32	.2
	w/o Appearance Pkg	BL3Z 9942528 A	\$32.62	.2
	Flareside	09	9L3Z 9942528 E	\$61.45
39	"KING RANCH F-150"	9L3Z 9942528 D	\$109.05	.2
40	"Harley-Davidson F-150"			
	Chrome	AL3Z 8442528 B	\$235.62	.2
	Nickel	BL3Z 8442528 B	\$246.77	.2
41	"ECOBOOST"	BL3Z 9942528 E	\$45.25	.2
	"FLEX FUEL"			
42	2010	8C2Z 1642528 B	\$33.98	.2
43	2011-14	BL3Z 9942528 D	\$25.63	.2
44	"OKLAHOMA EDITION"	9L3Z 9942528 B	\$96.95	.2
45	"TEXAS EDITION"	9L3Z 9942528 A	\$102.38	.2

REAR SUSPENSION

Use Procedure Explanation 23 with the following text.



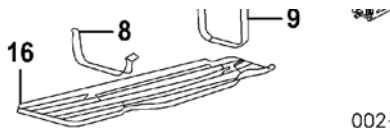


R&I Suspension/Axle Assy					2.5
Check Rear Alignment					.8
Add to Adjust Front Alignment					1.6
Bleed Brake System					1.0
NOTE 1: R&I/R&R Does Not include alignment or bleed brake system.					
1 Rotor, Brake					
Base Payload Pkg	09-10	R	9L3Z 2C026 A	\$131.67	#.6
		L	9L3Z 2C026 A	\$131.67	#.6
	11	R	BL3Z 2C026 A	\$99.97	#.6
		L	BL3Z 2C026 A	\$99.97	#.6
	12-14	R	CL3Z 2C026 C	\$99.97	#.6
		L	CL3Z 2C026 C	\$99.97	#.6
Upgrade Payload Pkg	09-10	R	9L3Z 2C026 B	\$116.63	#.6
		L	9L3Z 2C026 B	\$116.63	#.6
	11	R	BL3Z 2C026 B	\$99.97	#.6
		L	BL3Z 2C026 B	\$99.97	#.6
	12-14	R	CL3Z 2C026 D	\$83.30	#.6
		L	CL3Z 2C026 D	\$83.30	#.6
#R&R Both 1.0					
2 Caliper, Brake	09-11	R	6L3Z 2552 AC	\$81.72	#.5
		L	6L3Z 2553 AC	\$81.72	#.5
	12-14	R	CL3Z 2552 A	\$100.65	#.5
		L	CL3Z 2553 A	\$100.65	#.5
#R&R Both .8					
3 Pad Kit, Brake	09		8L3Z 2200 A	\$83.30	#1.0
	10-11		BL3Z 2200 C	\$66.63	#1.0
	12-13		CL3Z 2200 A	\$66.63	#1.0
	14		CL3Z 2200 C	\$66.63	#1.0
#Deduct .5 for Each Caliper Removed					
4 Housing, Caliper	12-13	R	CL3Z 2B511 A	\$70.02	
		L	CL3Z 2B511 B	\$69.97	
	14	R	CL3Z 2B511 C	\$70.02	
		L	CL3Z 2B511 D	\$69.97	
5 Adapter Assy, Caliper	09-11	R	9L3Z 2C220 A	\$212.32	#.5
		L	9L3Z 2C220 B	\$216.35	#.5
	12-13	R	CL3Z 2209 B	\$95.09	#.5
		L	CL3Z 2210 B	\$95.09	#.5
	14	R	CL3Z 2209 C		#.5
		L	CL3Z 2210 C		#.5
#w/Axle Shaft Assy Removed					
6 Shoe Kit, Brake	09-11		9L3Z 2648 A	\$89.18	#.8
	12-14		CL3Z 2648 B	\$41.73	#.8
#w/Rotor Removed					
7 Shield, Splash	09-11	R	9L3Z 2C028 A	\$23.77	#.3
		L	9L3Z 2C029 A	\$26.50	#.3
	12-14	R	CL3Z 2C028 A	\$14.58	#.3
		L	CL3Z 2C029 A	\$14.58	#.3
8 Bracket, Caliper					

2009-11	R	9L3Z 2B582 A	\$110.50	#.3
	L	9L3Z 2B582 B	\$126.48	#.3
2012-14	R	CL3Z 2B636 A	\$73.38	#.3
	L	CL3Z 2B637 A	\$70.35	#.3
Included w/Caliper Adapter Assy #R&R One Side Complete, w/Axle Shaft Assy Removed				
9 Hose, Brake				
2009				
To 12-1-08		9L3Z 2282 B	\$85.42	.3
From 12-1-08		AL3Z 2282 A	\$50.52	.3
2010-14		AL3Z 2282 A	\$50.52	.3
10 Tube, Brake	09-11	R BL3Z 2267 A	\$51.83	.3
		L BL3Z 2268 A	\$30.65	.3
	12-14	R DL3Z 2267 B	\$18.98	.3
		L DL3Z 2268 B	\$15.42	.3
11 Shaft Assy, Axle				
8.8" Ring Gear	R	9L3Z 4234 A	\$294.08	#1.5
	L	9L3Z 4234 B	\$273.00	#1.5
9.75" Ring Gear				
Base Payload Pkg	R	9L3Z 4234 C	\$273.08	#1.5
	L	9L3Z 4234 D	\$303.83	#1.5
Upgrade Payload Pkg	R	9L3Z 4234 E	\$324.40	#1.5
	L	9L3Z 4234 F	\$361.07	#1.5
12 Stud, Lug (6/Side) (b)				
	R	YL3Z 1107 AB	\$3.16	
	L	YL3Z 1107 AB	\$3.16	
(b) Included w/Axle Shaft Assy				
13 Indicator, ABS-See ABS/Brakes Section				
14 Housing Assy, Axle				
8.8" Ring Gear		9L3Z 4010 A	\$910.15	#8.0
9.75" Ring Gear				
2009-10				
Base Payload Pkg				
w/Elect Locking Diff'l		9L3Z 4010 C	\$1,047.53	#8.0
w/o Elect Locking Diff'l		9L3Z 4010 B	\$1,121.40	#8.0
Upgrade Payload Pkg		9L3Z 4010 D	\$1,175.18	#8.0
2011				
To 12-20-10				
Base Payload Pkg				
w/Elect Locking Diff'l		9L3Z 4010 C	\$1,047.53	#8.0
w/o Elect Locking Diff'l		9L3Z 4010 B	\$1,121.40	#8.0
Upgrade Payload Pkg		9L3Z 4010 D	\$1,175.18	#8.0
From 12-20-10				
Base Payload Pkg				
w/Elect Locking Diff'l		BL3Z 4010 B	\$760.03	#8.0
w/o Elect Locking Diff'l		BL3Z 4010 A	\$760.03	#8.0
Upgrade Payload Pkg		BL3Z 4010 C	\$727.08	#8.0
2012-14				
Base Payload Pkg				
w/Elect Locking Diff'l		BL3Z 4010 B	\$760.03	#8.0
w/o Elect Locking Diff'l		BL3Z 4010 A	\$760.03	#8.0
Upgrade Payload Pkg		BL3Z 4010 C	\$727.08	#8.0

#Includes R&R Brake Rotors, Axle Shafts & Axle Bearings

15 Seal, Axle (c)	R	5L3Z 1S177 AB	\$12.90	#1.5
	L	5L3Z 1S177 AB	\$12.90	#1.5
16 Bearing, Axle (c)	R	5L3Z 1225 AA	\$79.75	#1.5
	L	5L3Z 1225 AA	\$79.75	#1.5
#R&R One Side Complete				
17 Cover, Rear Axle (c)				
8.8" Ring Gear		F4TZ 4033 A	\$33.78	#1.4
9.75" Ring Gear		BL3Z 4033 A	\$17.03	#1.4
(c) Included w/Axle Housing Assy				
#Included in R&R Axle Housing				
18 Sensor, Rear ABS-See ABS/Brakes Section				
19 Absorber, Shock (a)				
2WD	R	AL3Z 18125 D	\$70.90	#.5
	L	AL3Z 18125 D	\$70.90	#.5
4WD	R	AL3Z 18125 G	\$56.87	#.5
	L	AL3Z 18125 G	\$56.87	#.5
AWD	R	AL3Z 18125 L	\$59.30	#.5
	L	AL3Z 18125 L	\$59.30	#.5
(a) Order by Application				
#R&R Both .8				
20 Bolt, Shock Mtg (2/Side)	09	R	* W706196 S439	\$5.88
		L	* W706196 S439	\$5.88
	10-14	R	* W506545 S439	\$4.28
		L	* W506545 S439	\$4.28
21 Spring Assy, Rear (a)		R	DL3Z 5560 A	\$313.17 #1.4
		L	DL3Z 5560 A	\$313.17 #1.4
(a) Order by Application				
#R&R Both 2.6, w/Axle Housing Removed Deduct .8				
22 Bushing, Spring (e)				
Front		R	4L3Z 5781 AA	\$10.70
		L	4L3Z 5781 AA	\$10.70
Rear, (2/Side)		R	CL3Z 5781 B	\$10.70
		L	CL3Z 5781 B	\$10.70
(e) Included w/Rear Spring Assy				
23 Brkt, Front Spring		R	9L3Z 5775 B	\$93.77
		L	9L3Z 5775 E	\$93.78
24 Bolt, Front Mtg		R	* W709627 S439	\$11.78
		L	* W709627 S439	\$11.78
25 Shackle Assy, Rear		R	BL3Z 5776 A	\$42.90 #.6
		L	BL3Z 5776 A	\$42.90 #.6
#w/Spring Removed Deduct .3				
26 Bushing, Shackle (2/Side) (f)		R	BL3Z 5781 A	\$6.85
		L	BL3Z 5781 A	\$6.85
(f) Included w/Rear Shackle Assy				
27 Bracket, Shackle		R	9L3Z 5775 D	\$288.03
		L	9L3Z 5775 D	\$288.03
28 Bolt, Shackle (2/Side)				
2009-10		R	* W714299 S439	\$5.42
		L	* W714299 S439	\$5.42
2011				
To 1-31-11		R	* W714299 S439	\$5.42
		L	* W714299 S439	\$5.42



002-18591

R&I Fuel Tank Assy

1.8

NOTE: R&I/R&R Does Not include drain and refill.

1	Housing, Fuel Filler-See Pickup Bed Section				
2	Adapter, Fuel Filler		8U5Z 9C268 B	\$24.99	
3	Bezel, Filler				
	Unleaded Fuel		AU5Z 9K072 A	\$6.42	
	Ethanol Fuel		AU5Z 9K072 B	\$6.18	
4	Neck, Fuel Filler				
	Unleaded Fuel				
	Styleside				
	2009				
	To 6-11-09		9L3Z 9034 G	\$236.74	
	From 6-11-09		9L3Z 9034 K	\$232.87	
	2010				
	To 12-21-09		9L3Z 9034 K	\$232.87	
	From 12-21-09		CL3Z 9034 A	\$139.11	
	Flareside	09	9L3Z 9034 M	\$196.83	
	Ethanol Fuel				
	Styleside		9L3Z 9034 J	\$203.00	
	Flareside	09	9L3Z 9034 L	\$205.72	
5	Funnel, Filler		8U5Z 17B068 B	\$6.38	
6	Tank, Fuel				
	126" WB		AL3Z 9002 A	\$635.33	2.0
	133" WB				
	w/Extended Range	09	9L3Z 9002 C	\$616.58	2.0
	w/o Extended Range	09	AL3Z 9002 A	\$635.33	2.0
	145" WB, 157" WB, 163" WB				
	w/Extended Range		9L3Z 9002 C	\$616.58	2.0
	w/o Extended Range		9L3Z 9002 B	\$647.58	2.0
7	Shield, Side Heat				
	126" WB	09	9L3Z 9A032 D	\$84.40	
		10	BL3Z 9A032 B	\$135.11	
	133" WB				
	w/Extended Range	09	BL3Z 9A032 A	\$113.74	
	w/o Extended Range	09	9L3Z 9A032 D	\$84.40	
	145" WB, 157" WB, 163" WB				
	w/Extended Range		BL3Z 9A032 A	\$113.74	
	w/o Extended Range		BL3Z 9A032 C	\$116.32	
8	Strap, Front Tank				
	w/Skid Plate		9L3Z 9054 F	\$53.85	
	w/o Skid Plate		9L3Z 9054 E	\$22.77	
9	Strap, Rear Tank				
	w/Skid Plate		9L3Z 9054 D	\$58.64	
	w/o Skid Plate		9L3Z 9054 C	\$37.70	
10	Pump Assy, Fuel				
	126" WB		9L3Z 9H307 D	\$403.73	#1.8

3 Bezel, Filler			
3.5L Turbo, 3.7L, 5.0L Eng	AU5Z 9K072 A	\$6.42	
6.2L Eng	AU5Z 9K072 B	\$6.18	
4 Neck, Fuel Filler			
3.5L Turbo, 3.7L, 5.0L Eng			
2011	CL3Z 9034 A	\$139.11	
2012			
To 7-24-12	CL3Z 9034 A	\$139.11	
From 7-24-12	CL3Z 9034 D	\$82.98	
2013-14	CL3Z 9034 D	\$82.98	
6.2L Eng			
2011-12			
w/Hill Descent Control	CL3Z 9034 B	\$111.70	
w/o Hill Descent Control	CL3Z 9034 A	\$139.11	
2012-13 (a)			
w/Hill Descent Control	CL3Z 9034 C	\$89.09	
w/o Hill Descent Control	CL3Z 9034 D	\$82.98	
(a) Order by Application			
5 Funnel, Filler	8U5Z 17B068 B	\$6.38	
6 Tank, Fuel			
3.5L Turbo Eng			
2011	9L3Z 9002 B	\$647.58	2.0
2012-13			
2WD	9L3Z 9002 B	\$647.58	2.0
4WD	9L3Z 9002 C	\$616.58	2.0
2014			
w/Tremor Model	DL3Z 9002 A	\$692.25	2.0
w/o Tremor Model			
2WD	DL3Z 9002 B	\$1,076.30	2.0
4WD	DL3Z 9002 C	\$1,039.95	2.0
3.7L, 5.0L Eng			
2011			
126" WB	AL3Z 9002 A	\$635.33	2.0
145" WB, 157" WB, 163" WB			
w/Extended Range Tank (a)	DL3Z 9002 C	\$1,039.95	2.0
w/o Extended Range Tank	9L3Z 9002 B	\$647.58	2.0
2012			
To 5-16-12			
126" WB	AL3Z 9002 A	\$635.33	2.0
145" WB, 157" WB, 163" WB			
w/Extended Range Tank (a)	DL3Z 9002 C	\$1,039.95	2.0
w/o Extended Range Tank	9L3Z 9002 B	\$647.58	2.0
From 5-16-12			
126" WB	DL3Z 9002 A	\$692.25	2.0
145" WB, 157" WB, 163" WB			
w/Extended Range Tank	DL3Z 9002 C	\$1,039.95	2.0
w/o Extended Range Tank	DL3Z 9002 B	\$1,076.30	2.0
2013-14			
126" WB	DL3Z 9002 A	\$692.25	2.0
145" WB, 157" WB, 163" WB			
w/Extended Range Tank	DL3Z 9002 C	\$1,039.95	2.0

w/o Extended Range Tank	DL3Z 9002 B	\$1,076.30	2.0
6.2L Eng			
2011 (a)	DL3Z 9002 C	\$1,039.95	2.0
2012			
To 5-16-12 (a)	DL3Z 9002 C	\$1,039.95	2.0
From 5-16-12	DL3Z 9002 C	\$1,039.95	2.0
2013-14	DL3Z 9002 C	\$1,039.95	2.0
(a) Add'l Parts &/or Dealer Contact Required			
7 Shield, Side Heat			
3.5L Turbo Eng			
2011	BL3Z 9A032 C	\$116.32	
2012-13			
2WD	BL3Z 9A032 C	\$116.32	
4WD	BL3Z 9A032 A	\$113.74	
2014			
w/Tremor Model	CL3Z 9A032 A		
w/o Tremor Model			
2WD	BL3Z 9A032 C	\$116.32	
4WD	BL3Z 9A032 A	\$113.74	
3.7L, 5.0L Eng			
2011			
126" WB	BL3Z 9A032 B	\$135.11	
145" WB, 157" WB, 163" WB			
w/Extended Range Tank	BL3Z 9A032 A	\$113.74	
w/o Extended Range Tank	BL3Z 9A032 C	\$116.32	
2012			
To 5-16-12			
126" WB	BL3Z 9A032 B	\$135.11	
145" WB, 157" WB, 163" WB			
w/Extended Range Tank	BL3Z 9A032 A	\$113.74	
w/o Extended Range Tank	BL3Z 9A032 C	\$116.32	
From 5-16-12			
126" WB	CL3Z 9A032 A		
145" WB, 157" WB, 163" WB			
w/Extended Range Tank	CL3Z 9A032 C	\$118.64	
w/o Extended Range Tank	CL3Z 9A032 B	\$116.32	
2013-14			
126" WB	CL3Z 9A032 A		
145" WB, 157" WB, 163" WB			
w/Extended Range Tank	CL3Z 9A032 C	\$118.64	
w/o Extended Range Tank	CL3Z 9A032 B	\$116.32	
6.2L Eng			
2011	BL3Z 9A032 A	\$113.74	
2012			
To 5-16-12	BL3Z 9A032 A	\$113.74	
From 5-16-12	CL3Z 9A032 C	\$118.64	
2013-14	CL3Z 9A032 C	\$118.64	
8 Strap, Front Tank			
w/Skid Plate	9L3Z 9054 F	\$53.85	
w/o Skid Plate	9L3Z 9054 E	\$22.77	
9 Strap, Rear Tank			

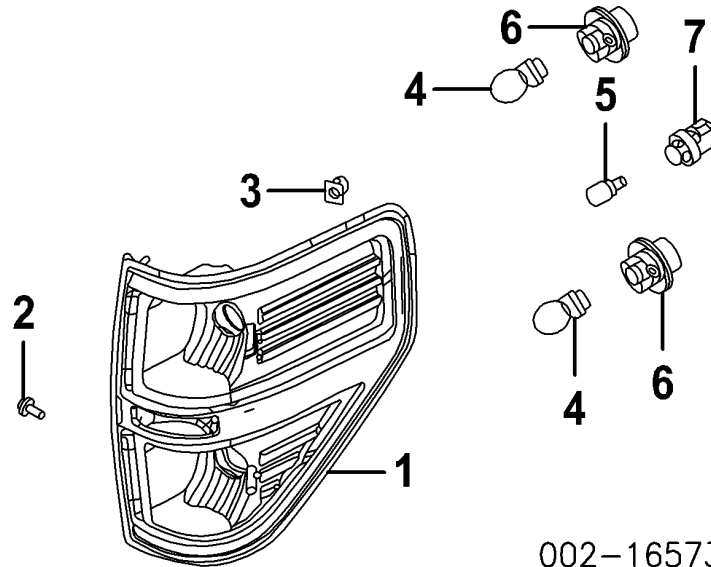
w/Skid Plate	9L3Z 9054 D	\$58.64	
w/o Skid Plate	9L3Z 9054 C	\$37.70	
10 Pump Assy, Fuel			
3.5L Turbo Eng			
2011	CL3Z 9H307 A	\$200.92	#1.8
2012-13			
2WD	CL3Z 9H307 A	\$200.92	#1.8
4WD	DL3Z 9H307 A	\$162.83	#1.8
2014			
w/Tremor Model	EL3Z 9H307 A	\$157.78	#1.8
w/o Tremor Model			
2WD	CL3Z 9H307 A	\$200.92	#1.8
4WD	DL3Z 9H307 A	\$162.83	#1.8
3.7L, 5.0L Eng			
126" WB	9L3Z 9H307 D	\$403.73	#1.8
145" WB, 157" WB, 163" WB			
w/Extended Range Tank	9L3Z 9H307 F	\$326.72	#1.8
w/o Extended Range Tank	9L3Z 9H307 E	\$385.05	#1.8
6.2L Eng	9L3Z 9H307 F	\$326.72	#1.8
11 Sender, Fuel			
3.5L Turbo Eng			
2011	9L3Z 9A299 E	\$65.63	#1.8
2012-13			
2WD	9L3Z 9A299 E	\$65.63	#1.8
4WD	9L3Z 9A299 F	\$66.00	#1.8
2014			
w/Tremor Model	9L3Z 9A299 D	\$64.17	#1.8
w/o Tremor Model			
2WD	9L3Z 9A299 E	\$65.63	#1.8
4WD	9L3Z 9A299 F	\$66.00	#1.8
3.7L, 5.0L Eng			
126" WB	9L3Z 9A299 D	\$64.17	#1.8
145" WB, 157" WB, 163" WB			
w/Extended Range Tank	9L3Z 9A299 F	\$66.00	#1.8
w/o Extended Range Tank	9L3Z 9A299 E	\$65.63	#1.8
6.2L Eng	9L3Z 9A299 D	\$64.17	#1.8
Included w/Fuel Pump Assy			
#R&R Complete, Included in R&R Fuel Tank			
12 O-Ring, Pump	4L3Z 9276 AA	\$14.87	
13 Ring, Retainer			
3.5L Turbo Eng	4L2Z 9C385 AA	\$14.22	
3.7L, 5.0L Eng			
126" WB	AL3Z 9C385 A	\$18.80	
145" WB, 157" WB, 163" WB	4L2Z 9C385 AA	\$14.22	
6.2L Eng	4L2Z 9C385 AA	\$14.22	
14 Shield, Pump			
6.2L Eng	AL3Z 9B007 A	\$170.96	
15 Control Unit, Fuel Pump	AA8Z 9D370 B	\$55.68	.6
16 Canister Assy, Vapor-See Emission System			
Section			
17 Plate, Skid			

3.5L Turbo Eng
 3.7L, 5.0L Eng
 126" WB
 145" WB, 157" WB, 163" WB
 6.2L Eng

AL3Z 9A147 A	\$130.55	#.6
9L3Z 9A147 A	\$228.77	#.6
AL3Z 9A147 A	\$130.55	#.6
AL3Z 9A147 A	\$130.55	#.6

#Included in R&R Fuel Tank

REAR LAMPS
COMBINATION LAMP
COMBINATION LAMP
STYLESIDE



002-16573

R&I Combination Lamp	R			.2
	L			.2
1 Lamp, Combination	R	BL3Z 13404 B	\$115.95	.2
Chrome Accent	L	BL3Z 13405 B	\$115.95	.2
Black Accent	R	BL3Z 13404 AB	\$132.85	.2
Gray Accent	L	BL3Z 13405 AB	\$132.85	.2
	R	BL3Z 13404 AA	\$292.30	.2
	L	BL3Z 13405 AA	\$267.05	.2
2 Screw, Mtg (2/Side)	R	* N808955 S439	\$1.00	
	L	* N808955 S439	\$1.00	
3 Grommet, Mtg (2/Side)	R	* W711079 S300	\$1.07	
	L	* W711079 S300	\$1.07	
4 Bulb, Tail/Stop/Signal (2/Side)	R	4L3Z 13466 AB	\$2.72	
	L	4L3Z 13466 AB	\$2.72	
5 Bulb, Back-Up	R	D7TZ 13466 A	\$2.03	#.2
	L	D7TZ 13466 A	\$2.03	#.2
#Included in R&I/R&R Combination Lamp Assy				
6 Socket, Tail/Stop/Signal Bulb (2/Side)	R	2U5Z 13411 DA	\$16.80	
	L	2U5Z 13411 DA	\$16.80	

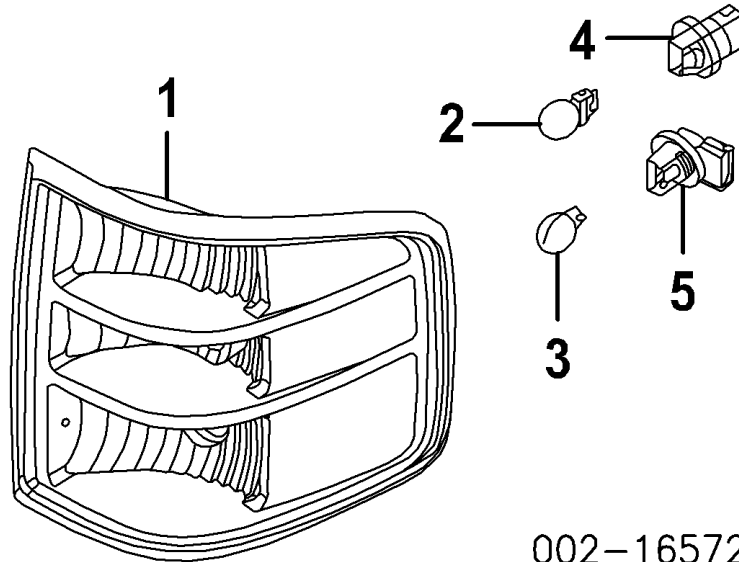
7 Socket, Back-Up Bulb

R F81Z 13411 AA
L F81Z 13411 AA

\$13.90
\$13.90

Harness, Rear Lamp-See Cab Section

COMBINATION LAMP
COMBINATION LAMP
FLARESIDE 2009



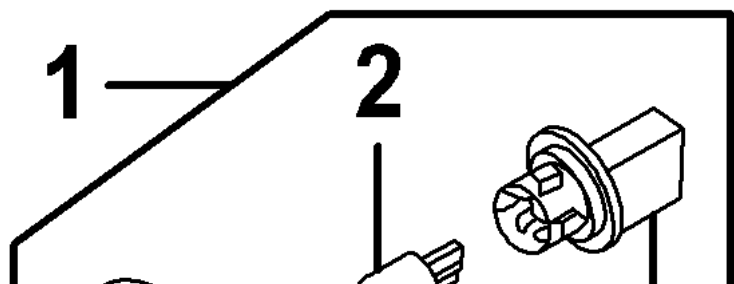
002-16572

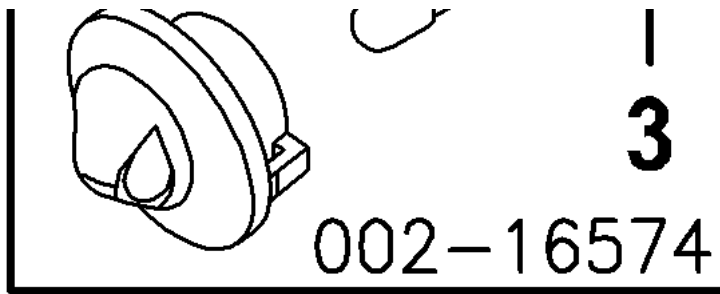
R&I Combination Lamp

	R			.2
	L			.2
1 Lamp, Combination	R	7L3Z 13404 BA	\$71.68	.2
	L	7L3Z 13405 BA	\$87.17	.2
2 Bulb, Tail/Stop/Signal	R	F4CZ 13466 A	\$2.50	#.2
	L	F4CZ 13466 A	\$2.50	#.2
3 Bulb, Back-Up	R	F5DZ 13466 B	\$4.39	#.2
	L	F5DZ 13466 B	\$4.39	#.2
<i>#R&R One Side Complete, Included in R&I/R&R Combination Lamp Assy</i>				
4 Socket, Tail/Stop/Signal Bulb	R	2U5Z 13411 RA	\$16.03	
	L	2U5Z 13411 RA	\$16.03	
5 Socket, Back-Up Bulb	R	2U5Z 13411 LA	\$17.70	
	L	2U5Z 13411 LA	\$17.70	

Harness, Rear Lamp-See Cab Section

LICENSE LAMP





R&I License Plate Lamp

#Included in R&R or O/H Rear Bumper Assy
1 Lamp Assy, License

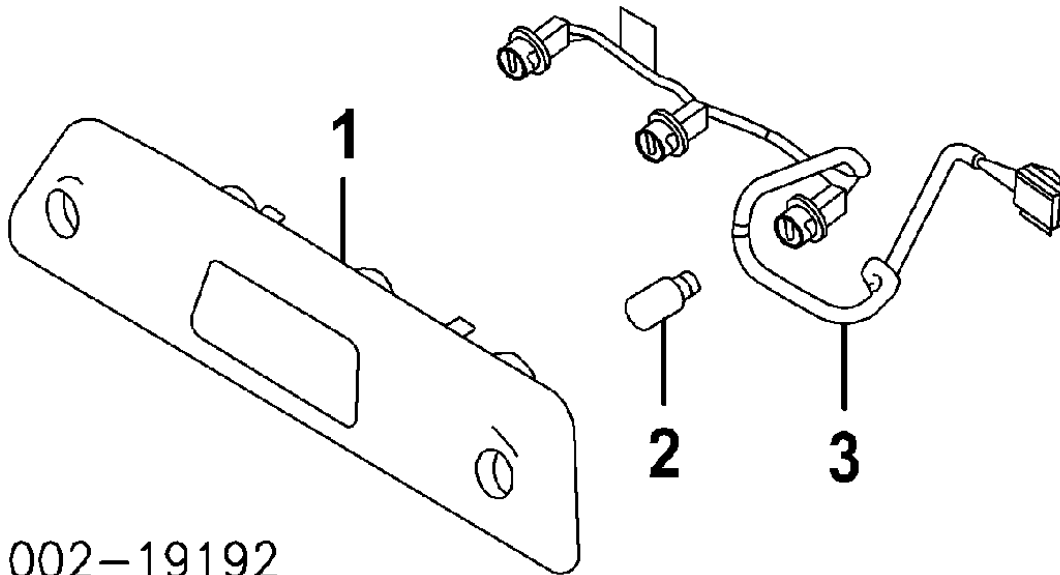
2 Bulb, License Lamp

#R&R One Side Complete, Included in R&R or O/H Rear Bumper Assy

3 Socket, License Lamp

Included w/License Lamp Assy

HIGH MOUNT STOP LAMP



002-19192

R&I High Mount Stop Lamp

#Included in R&R Roof Panel

1 Lamp, High Mount Stop
w/Hill Descent Control
w/o Hill Descent Control

#Included in R&R Roof Panel

2 Bulb, Stop Lamp (a)
(a) As Required

3 Harness, Stop Lamp

R				#.1
L				#.1
R	1L3Z 13550 BA	\$24.58		#.1
L	1L3Z 13550 BA	\$24.58		#.1
R	C2AZ 13466 C	\$0.94		#.1
L	C2AZ 13466 C	\$0.94		#.1
R	F81Z 13411 AA	\$13.90		
L	F81Z 13411 AA	\$13.90		

09	9L3Z 13A625 A	\$22.75		
10-14	AL3Z 13A625 A	\$12.55		

#.2

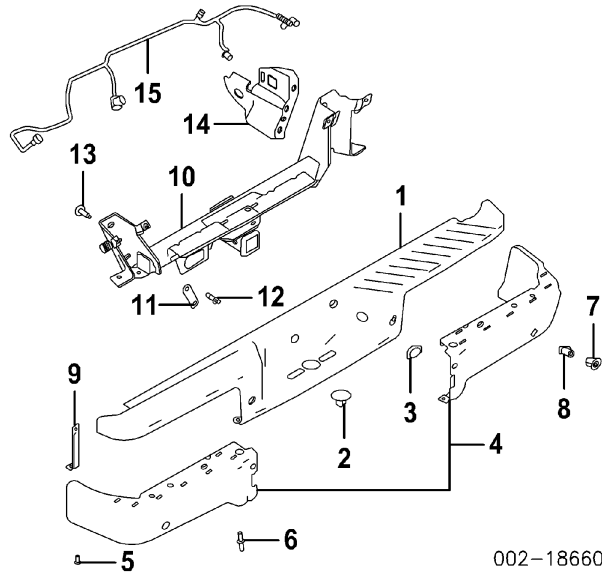
#.2

#.2

REAR BUMPER

Use Procedure Explanations 27 and 28
with the following text.

STYLESIDE

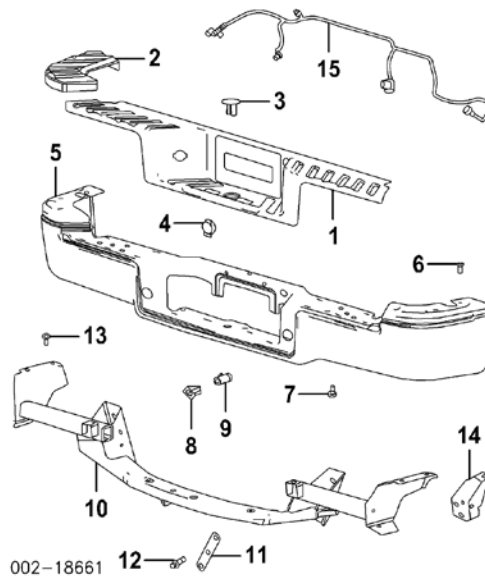


002-18660

Refinish Bumper Complete				2.0
Refinish Rear Bumper				1.5
	R			1.5
	L			.6
R&I Rear Bumper Assy				1.8
O/H Rear Bumper Assy				.4
Add to R&R or O/H Rear Bumper Assy				.2
w/Rear Object Sensors				
w/Towing Pkg				
NOTE: All Parts in this section are included in overhaul unless noted otherwise.				
1 Pad, Bumper				
w/Towing Pkg				
w/Rear Object Sensors		9L3Z 17B807 C	\$140.77	.4
w/o Rear Object Sensors		9L3Z 17B807 B	\$133.15	.4
w/o Towing Pkg		9L3Z 17B807 A	\$133.15	.4
2 Insert, Bumper		5L3Z 17D754 AA	\$12.62	
3 Cover, Spare Wheel Carrier Lock		4L3Z 15402A36 AA	\$17.57	.1
4 Bumper, Rear				
w/Rear Object Sensors				
Chrome		9L3Z 17906 B	\$424.99	1.8
Paint to Match		9L3Z 17906 DPTM	\$457.28	1.8
w/o Rear Object Sensors				
Chrome		9L3Z 17906 A	\$451.82	1.8
Paint to Match		9L3Z 17906 CPTM	\$457.28	1.8
5 Bolt, Bumper (a)	R	* N606689 S439	\$4.02	
	L	* N606689 S439	\$4.02	
6 Clip, Bumper (a)	R	* W704342 S300	\$8.04	

		L	* W704342 S300	\$8.04	
(a) As Required					
7 Retainer, Sensor					
Outer		R	9L3Z 15A862 J	\$14.76	#
		L	9L3Z 15A862 K	\$14.76	#
Inner		R	9L3Z 15A862 G	\$14.76	#
		L	9L3Z 15A862 H	\$14.76	#
8 Sensor, Rear Object (2/Side)		R	9L3Z 15K859 D	\$144.42	#.1
		L	9L3Z 15K859 D	\$144.42	#.1
#w/Rear Bumper Assy Removed, Not Included in O/H Bumper Assy					
9 Bracket, Side Bumper		R	9L3Z 17787 A	\$24.82	
		L	9L3Z 17787 A	\$24.82	
10 Hitch/Reinforcement					
w/Towing Pkg					
Base Payload Pkg			9L3Z 17D826 E	\$349.33	1.8
Upgrade Payload Pkg			9L3Z 17D826 B	\$346.28	1.8
w/o Towing Pkg			9L3Z 17D826 A	\$216.60	1.8
11 Plate, Mounting					
w/Towing Pkg		R	5L3Z 17C886 BA	\$45.45	
		L	5L3Z 17C886 BA	\$45.45	
w/o Towing Pkg		R	5L3Z 17C886 AA	\$34.90	
		L	5L3Z 17C886 AA	\$34.90	
Bolt, Mtg (a)					
12 Type 1		R	* W506452 S439	\$3.21	
		L	* W506452 S439	\$3.21	
13 Type 2		R	* N606689 S439	\$4.02	
		L	* N606689 S439	\$4.02	
(a) As Required					
14 Brkt, Rear Bumper		R	9L3Z 17788 A	\$105.22	#1.8
		L	9L3Z 17788 B	\$105.30	#1.8
15 Harness, Wiring					
w/Towing Pkg					
w/Rear Object Sensors	09-10		9L3Z 13A576 CB	\$99.85	#
	11-14		BL3Z 13A576 C	\$67.45	#
w/o Rear Object Sensors	09-10		9L3Z 13A576 BB	\$82.68	#
	11-14		BL3Z 13A576 B	\$71.38	#
w/o Towing Pkg	09-10		9L3Z 13A576 AB	\$68.90	#
	11-14		BL3Z 13A576 A	\$24.33	#
#w/Rear Bumper Assy Removed, Not Included in O/H Bumper Assy					
Hitch Kit, Trailer (a)					
Dealer Installed			CL3Z 19D520 A	\$295.36	#.5
Harness Kit, Towing (a)					
Dealer Installed			9L3Z 15A416 A	\$75.33	#
(a) Contact Dealer for Price & Availability					
#Not Included in O/H Bumper Assy					

FLARESIDE
FLARESIDE 2009



Refinish Rear Bumper				2.2
R&I Rear Bumper Assy				.6
O/H Rear Bumper Assy (Includes R&I)				1.4
Add to R&R or O/H Rear Bumper Assy				
w/Rear Object Sensors				.4
w/Towing Pkg				.2
NOTE: All Parts in this section are included in overhaul unless noted otherwise.				
Pad, Bumper				
1	Center			
	w/Towing Pkg			
	w/Rear Object Sensors	7L3Z 17B807 H	\$184.70	.3
	w/o Rear Object Sensors	7L3Z 17B807 F	\$187.60	.3
	w/o Towing Pkg	5L3Z 17B807 EA	\$64.45	.3
2	Side	R	5L3Z 17B807 AB	\$64.45 .2
		L	5L3Z 17B807 AC	\$64.45 .2
3	Insert, Bumper		5L3Z 17D754 AA	\$12.62 IOH
4	Cover, Spare Wheel Carrier Lock		4L3Z 15402A36 AA	\$17.57 .1
5	Bumper, Rear			
	Chrome			
	w/Rear Object Sensors	4L3Z 17906 NA	\$750.35	1.4
	w/o Rear Object Sensors	4L3Z 17906 MA	\$664.70	1.4
	Paint to Match			
	w/Rear Object Sensors	4L3Z 17906 KA	\$591.72	1.4
	w/o Rear Object Sensors	4L3Z 17906 JA	\$774.63	1.4
	Bolt, Bumper (a)			
6	Upper	R	* N811645 S439	\$3.35
		L	* N811645 S439	\$3.35
7	Lower	R	* W505435 S439	\$1.07
		L	* W505435 S439	\$1.07
8	Retainer, Sensor			

(a) As Required

Outer	R	9L3Z 15A862 E	\$8.22	#
	L	9L3Z 15A862 F	\$8.22	#
Inner	R	9L3Z 15A862 G	\$14.76	#
	L	9L3Z 15A862 H	\$14.76	#
9 Sensor, Rear Object (2/Side)	R	9L3Z 15K859 D	\$144.42	#.1
	L	9L3Z 15K859 D	\$144.42	#.1
10 Hitch/Reinforcement				
w/Towing Pkg		9L3Z 17D826 F	\$436.05	1.4
w/o Towing Pkg		9L3Z 17D826 C	\$440.72	1.4
11 Plate, Mounting				
w/Towing Pkg	R	5L3Z 17C886 BA	\$45.45	
	L	5L3Z 17C886 BA	\$45.45	
w/o Towing Pkg	R	5L3Z 17C886 AA	\$34.90	
	L	5L3Z 17C886 AA	\$34.90	
Bolt, Mtg (e)				
12 Type 1	R	* W506452 S439	\$3.21	
	L	* W506452 S439	\$3.21	
13 Type 2	R	* N811645 S439	\$3.35	
	L	* N811645 S439	\$3.35	
(e) As Required				
14 Brkt, Rear Bumper	R	6L3Z 17788 B	\$242.88	#1.0
	L	6L3Z 17788 A	\$236.47	#1.0
15 Harness, Wiring				
w/Towing Pkg				
w/Rear Object Sensors		9L3Z 13A576 CB	\$99.85	#
w/o Rear Object Sensors		9L3Z 13A576 BB	\$82.68	#
w/o Towing Pkg		9L3Z 13A576 AB	\$68.90	#
#w/Bumper Assy Removed, Not Included in O/H				
Hitch Kit, Trailer				
Dealer Installed		CL3Z 19D520 A	\$295.36	#
#Not Included in O/H Bumper Assy				