



USBlanks

Solarmade in the USA

SURFBOARD BLANK CATALOG

October 2019

TABLE OF CONTENTS



Information.....	3
Welcome.....	4
How To Use This Catalog.....	5
SolarMade Blanks.....	6
Foam & Density Selection.....	7
Stringer Selection.....	8
Rocker Selection.....	9
Blank by Catagory.....	10
Polyurethane Blanks.....	11 - 77
Superfused EPS Blanks.....	78 - 91
Block-Cut EPS.....	92 - 100
Parabolic Stringered Blanks.....	101 - 112
Shipping Boxes.....	113
List of Resellers.....	114
PU Quick Reference Guide.....	115 - 116
Sales Policy.....	117 - 119

CONTACT

US Blanks are manufactured in Southern California using 100% solar power. We also operate a warehouse in Florida to service the East Coast.

US Blanks
P.O. Box 486
Gardena, CA 90248
Phone: 1(310) 225-6774
Fax: 1(310) 225-6922
info@usblanks.com

US Blanks Florida
2775 Business Center Blvd
Melbourne, FL, 32940
Phone: 1(321) 253-3626
Fax: 1(321) 259-2664
florida@usblanks.com

ACCOUNT SET-UP

US Blanks are available direct (for wholesale manufacturing accounts only) or through a network of Resellers for wholesale & retail sales. To set up a wholesale account contact us at the phone numbers listed above.

RESELLERS

US Blanks are available worldwide through a network of Resellers. A complete list of Resellers along with their contact information is available on page 114 of this catalog.

DELIVERY METHOD AND SCHEDULE

US Blanks delivers direct in California from our Los Angeles based factory. Our blanks are available to all other locations via box shipments, pallet shipments, or container loads.

<u>Delivery Type</u>	<u>Method</u>	<u>Location</u>	<u>Blank Quantity</u>
Direct	US Blanks Trucks	San Diego to San Francisco	5-400
Box	Common Carrier	Worldwide	4-5 per box
Pallet	Freight Truck	Continental US	Approx. 50
Container	Freight Truck & Ship	Worldwide	400-800

US Blanks Truck Schedule

<u>Weekly</u>	<u>Every 3 to 4 Weeks (subject to change)</u>
Monday - San Diego	Tuesday - San Luis Obispo
Tuesday - Oceanside & San Clemente	Wednesday - Santa Cruz & San Francisco
Wednesday - Orange County	
Thursday - LA & Ventura	

TERMS

Initial orders are either prepayment or C.O.D. All container orders require 50% deposit and final 50% is due prior to shipping. Credit terms are considered only after a client relationship has been established. Finance charge of 24% APR is applied to past due balances. Please refer to our Sales Policy on page 117 for more information.

GUARANTEE

US Blanks guarantees the quality of our blanks. If you receive a blank that does not meet our quality standards, we will replace the blank. In addition, if that blank has been shaped, we will credit the customer with a shaping fee (per our schedule) OR an additional blank (to be determined by US Blanks). In order to be eligible for either credit, the inferior blank must be returned to US Blanks. We will not cover the costs of any work on the blank completed after the first notice of a problem. Please refer to our Sales Policy on page 117 for more information.

OUR COMPANY

Our mission at US Blanks is to establish a close partnership with customers to produce the best surfboard possible. We are committed to design, technology and to maintaining the highest level of quality while offering a wide range of products, including an extensive variety of blank sizes, weights, stringer, rockers, and glue colors.

The US Blanks team is comprised of industry veterans with unparalleled experience in surfboard blank production.

SUSTAINABILITY & RESPONSIBILITY

Every blank we manufacture comes from our Southern California facility, which runs on 100% solar power. Operating in California requires that we exercise the highest standards in environmental protection and safety precautions for our entire team. Our location and industry-leading practices allow us to maintain longevity among staff and clients and provide unmatched customer service.

US Blanks also maintains a highly-prioritized recycling initiative. Our EPS foam scraps and off-cuts are processed off-site, then recycled for use in a variety of applications from packaging to construction. Our wood scraps, off-cuts, and sawdust are reclaimed off-site for use outside of the surf industry. Our paper, plastic, metal, packaging, and office waste is recycled using best practices at local recycling facilities.

MARKETING RESOURCES

Marketing Resources are available for Resellers and manufacturers to help simplify our product line, clarify blank options, and add value to your customer's experience. Utilize these for your benefit and share them with customers. Our goal is to educate surfers about the importance of quality foam and our wide-ranging customization options. We provide these at no expense. Send requests to info@usblanks.com. For visual examples visit usblanks.com/marketing-resources/

Product Catalog	One Sheets	Product Overview Poster
Tri-Fold Brochures	Stickers	T-Shirts
Hats	Stringer Samples	Colored Foam Samples
Laminates	Customer Gift Bags	Surf Wax

RETAIL T-SHIRT PROGRAM

In addition to our surfboard blanks, we offer a line of t-shirts designed for retail sales. These are available to both Resellers and shapers. Visit USBlanks.com/t-shirts/ or contact us at tshirts@usblanks.com for pricing and current design availability.

HOW TO USE THIS CATALOG

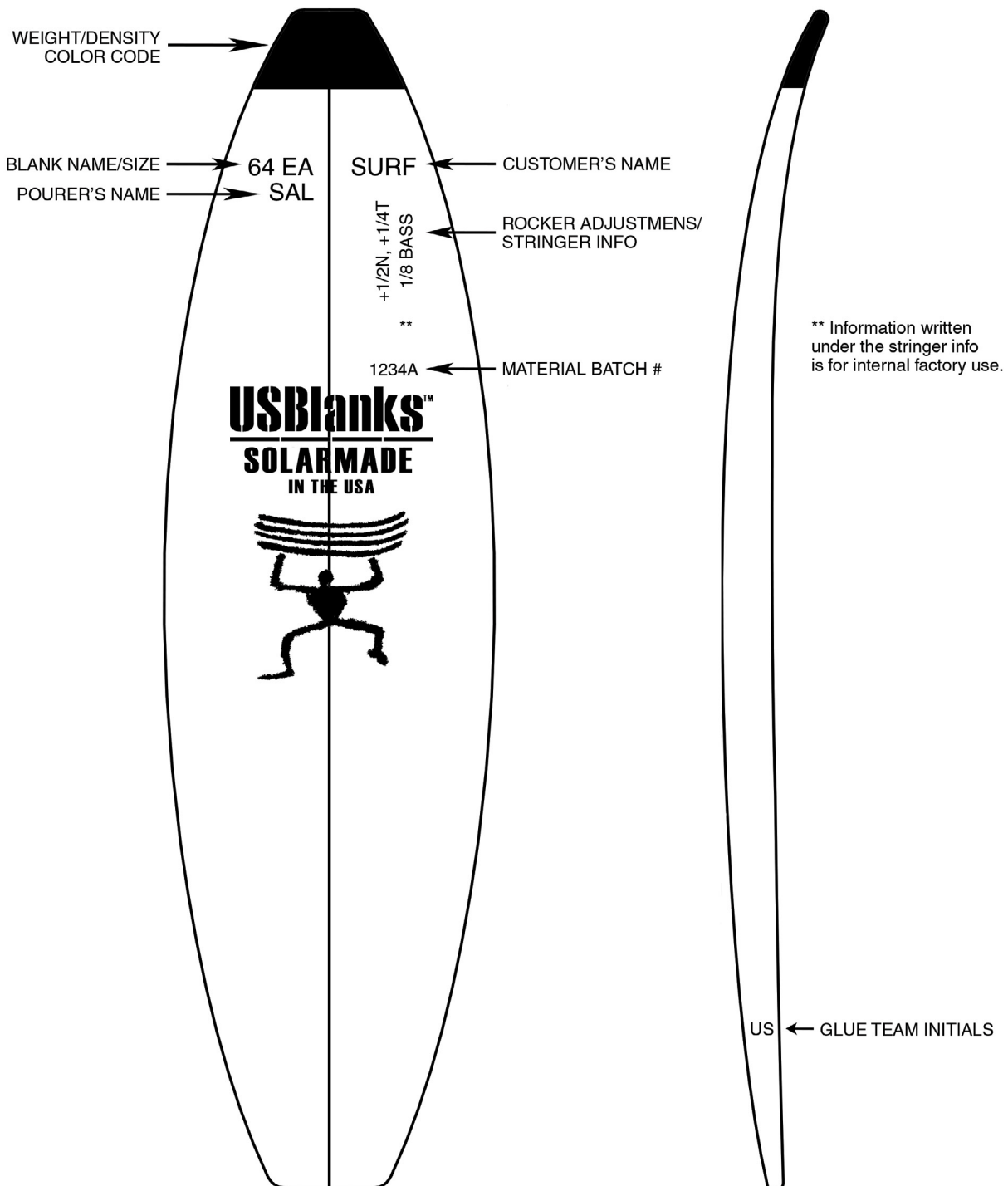
BLANK MEASUREMENTS

All blank illustrations in this catalog are drawn to actual scale. The wire frame diagrams are drawn at 1:12 scale for blanks shorter than 8'0" and 1:16 for blanks 8'0" and longer. Shape3D sightings from Nose-to-Tail are also included.

Actual measurements vary slightly due to the use of mold release, unpredictable shrinkage during molding, rail fill and rough rails. The nose and tail rockers are measured from the bottom of the blank to the bottom of the nose and the tail.

Volume measurements are calculated using the Shape3D scan method. Shape3D and AKU files for each blank are available upon request. Contact info@usblanks.com

BLANK CODE





SOLARMADE
IN THE USA
USBLANKS.COM

BY THE SUN, FOR THE OCEAN

Every US Blanks surfboard blank is manufactured with solar energy in the USA. The core of surfing, solar made, in the USA.

In 2016 we installed 680 solar panels on the roof of our factory in Los Angeles and transitioned our entire manufacturing facility to run on the energy produced from these panels. This transition makes US Blanks the first and only blank manufacturer in the world to be 100% solar powered.

We believe that responsible business practices foster long-term client and employee relationships and help grow our economy. This has been a core tenet of our brand since day one. Transitioning our factory to 100% solar power is the latest action of this core belief.

We have SOLARMADE stickers and laminates for you. Send your request to info@usblanks.com.

By the sun, for the ocean.

Among US Blanks Standard Practices

100% Manufactured in the United States (Los Angeles, California)

100% Solar Powered Manufacturing

100% US-based staff

US-sourced supply chain (from raw materials, to paper products, to paint)

Compliant with all California regulatory agencies

EPS foam scrap recycling program

Recycling program for all office and factory waste

Reclaimed wood scraps, stringer off-cuts, and sawdust

USBlanks.com/solar/

FOAM & DENSITY SELECTION

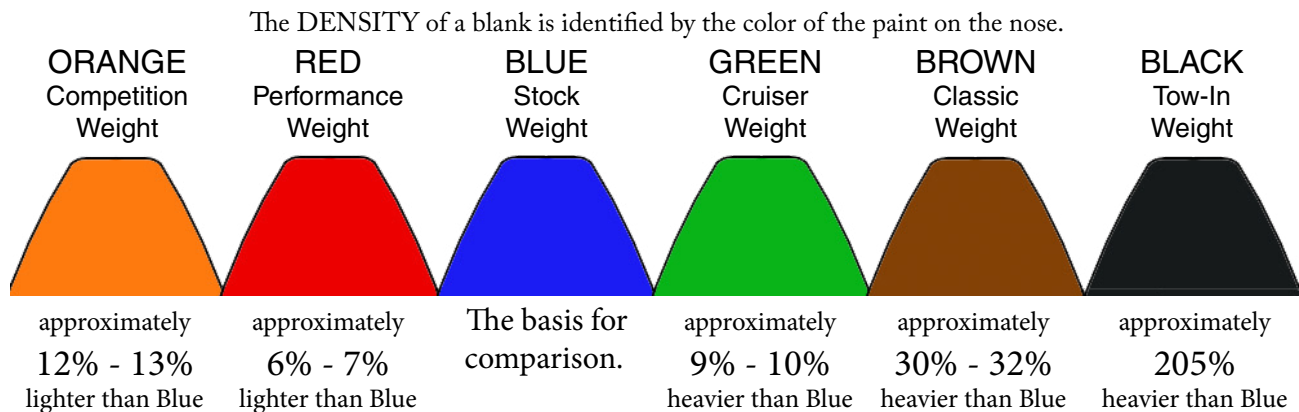
Foam selection is arguably the most important element of your blank selection. It will determine your surfboard's overall performance, weight, strength and feel.

US Blanks offers 6 densities of Polyurethane foam and 2 types of EPS foam, each available in 2 densities.

Polyurethane (PU)

US Blanks manufactures a water blown, Toluene Diisocyanate based polyester polyurethane blank. We feel this combination provides the best physical properties required by a surfboard, resulting in the strongest blank possible, and yields the best performance qualities. Our formulation provides the optimum strength, ease of shaping, and maximum flex. We are continuously testing and fine tuning our formulation to ensure that our blanks exceed industry standards for these characteristics.

Our PU blanks are available in 6 densities for most sizes. Actual PCF (pounds per cubic foot) of a given weight foam will vary due to mold compaction and skin-to-core ratio. The comparisons listed are based on the difference in pounds of foam used to pour each density and is an average among blank sizes.



Expanded Polystyrene (EPS)

US Blanks offers 2 types of surf-formulated EPS foam with DENSITY indicated with text on the nose:



Block-Cut EPS blanks are available in 2 stock densities; 1.5 pcf & 2.0 pcf, with 1.0 pcf available via custom order. These blocks are available up to 24' long x 4' wide x 3' thick. Custom cut files may be submitted in either Shaped 3D or AKU Shaper formats. All PU sizes are available as Block-Cut EPS.

Superfused EPS are molded and available in 6 sizes, in multiple thicknesses, and 2 densities; 1.5 pcf & 2.0 pcf. The molding process provides tighter fusion and cell structure than traditional EPS blanks. Additional information is listed on page 70 of this catalog.

USBlanks.com/blank-options/density-selection/

STRINGER SELECTION

Stringer selection is an important part of a surfboard's strength, flex pattern, and aesthetic. Our in-house mill allows us to offer nearly any conceivable cut or configuration, including multi-stringers, T-bands, off-set stringers, flares, wedge cuts, and parabolics (see page 101).

We offer 5 solid woods, various plywoods, and 2 alternative materials. For photographic examples of stringer materials and configurations, visit usblanks.com/blank-options/stringer-selection-2/ Contact info@usblanks.com for a sample pack of stringers.

Solid Wood

BALSA: Consistent color and grain. Available in any length and thickness. Not always available. Sometimes scabbed to achieve customer's desired lengths.

BASSWOOD: Consistent color and grain. Available in any length and thickness. Readily available.

CEDAR: Slight variation in color and grain. Available in any length and thickness. Not always available.

DARK WOOD: Introduced to fill the void when Cedar is unavailable. Variation in color, from a Cedar-tone to dark. Available in any length and thickness. Readily available.

REDWOOD: Slight variation in color and grain. Available in any length and thickness. Available for a limited time.

Plywood

All our plywoods are unidirectional and have very consistent color and grain.

POPLAR 3-PLY: 4mm (Light / Light / Light)

POPLAR 5-PLY: 6mm (Light / Light / Light / Light / Light)

HIGH-PERFORMANCE 3-PLY: 4mm (Light / Dark / Light)

TEAM 3-PLY: 4mm (Dark / Light / Dark)

APPLECORE 3-PLY: 1/8", color-dyed basswood. Available in a variety of color combinations.

APPLECORE 5-PLY: 5/32" (Light / Dark / Light / Dark / Light)

APPLECORE 5-PLY: 1/4" (Light / Dark / Black / Dark / Light)

APPLECORE 7-PLY: 3/8" (Dark / Light / Dark / Black / Dark / Light / Dark)

Alternative Materials

PVC: Red & Black at 3mm (up to 8'). White at 4mm (up to 8'). Black at 6mm (up to 10').

COLORED FOAM INSERTS: High density, colored, polyurethane foam is available as a stringer insert. It's available in any width, including wedges, T-bands, and up to 11' in length. Stock colors are Blue, Red, Yellow, Orange, Green (Regular or Fresh), Black, Pink, Grey. We formulate our colors to be bright and bold. Occasionally we may have additional colors available.

ROCKER SELECTION

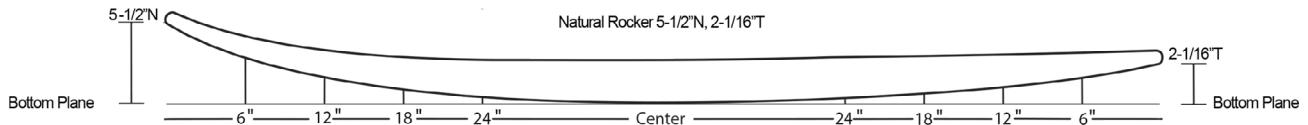
Rocker selection will allow you to find the precise balance of speed and turning radius for your surfboard. US Blanks are designed with a Natural Rocker that fits the widest variety of designs, but we also offer custom Rocker adjustments.

We use the deck line to index all blanks when gluing, and all adjustments are referenced to the Natural Rocker. Adjustments can be made from almost any point on a blank, whether deck or bottom, and from one blank size to another. Unless instructed, all rocker adjustments will be made from the center of the blank. If the adjustment is made from a point other than center, the adjustment point will be part of the description. Rockers transferred from one blank size to another will require a match point. Radical rocker adjustments may result in bumps or dips created in the deck line.

The Rocker Formula:

Natural Rocker = Inches Rise in the Nose, Inches Rise in the Tail (from the Bottom Plane)

6'4" EA

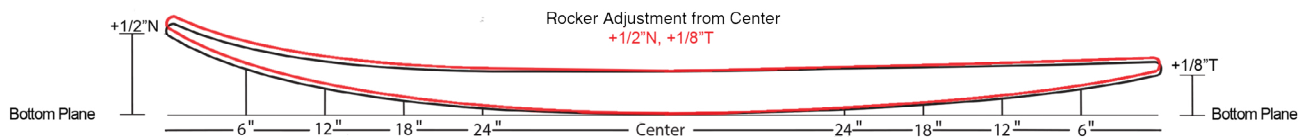


The Nose measurement is always written first. It begins with the number of inches the tip rises from the bottom plane of the blank and is followed by the letter "N". A comma separates the Nose rocker from the Tail rocker. Likewise, the Tail rocker is written in number of inches the tip rises from the bottom plane of the blank and is followed by the letter "T".

Rocker Adjustments

All Custom Rockers are written as adjustments from the Natural Rocker. Adjustments are made from the center unless otherwise specified.

6'4" EA

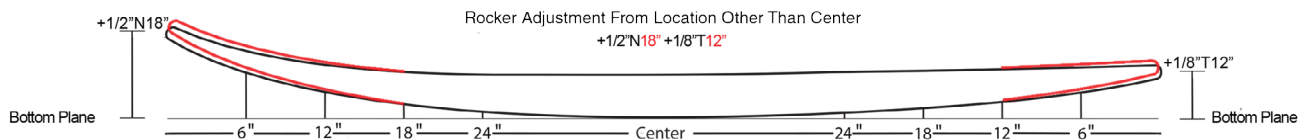


This indicates that the tip of the Nose is adjusted +1/2" and the Tail is adjusted +1/8" from the Natural Rocker and the adjustments were made from the center.

Rocker Adjustments From Location Other Than Center

Adjustments made from a location other than centered are indicated by the number, in inches, that follows the "N" or "T" in the rocker formula.

6'4" EA

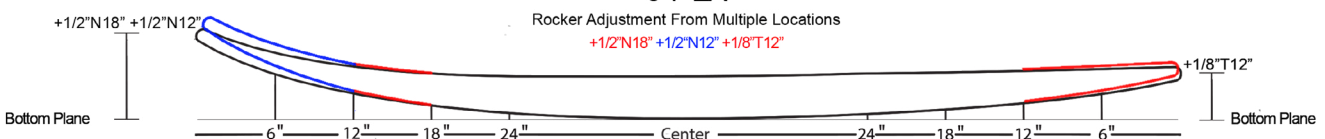


This indicates that the tip of the Nose is adjusted +1/2" from the Natural Rocker, but only within the last 18" of the Nose. And the tail is adjusted +1/8" from the Natural Rocker but only in the last 12" of the Tail.

Rocker Adjusted from Multiple Locations

Rockers can also be adjusted from multiple locations within the Nose or Tail to add subtle rocker to a given area and then increased rocker to another area, (i.e., a "Flipped Tip" effect). This is indicated by simply adding values to the existing rocker formula.

6'4" EA



This indicates that the tip of the Nose is adjusted +1/2" from the Natural Rocker in the last 18" of the Nose and then an additional 1/2" in the last 12" of the Nose. And the tail is adjusted +1/8" from the Natural Rocker but only in the last 12" of the Tail.

BLANKS BY CATAGORY

SHORTBOARDS

5'9"P pg 11	6'0"P pg 13	6'0"R pg 14	6'2"P pg 16	6'3"EA pg 17	6'4"EA pg 18	6'4"MB pg19
6'5"R pg 21	6'6"EA pg 22	6'7"P pg 23	6'8"A pg 24	6'8"AX pg 25	6'8"P pg 26	6'9"EA pg 28
6'9"R pg 29	7'0"A pg 31	7'1"A pg 32				

FISH / EGGS

5'10"RP pg 12	6'2"A pg 15	6'5"A pg 20	6'8"RP pg 27	6'10"RP pg 30	7'3"A pg 35	7'4"SP pg 36
7'9"H pg 41	7'9"HX pg 42	7'10"SP pg 43	8'0"H pg 45	8'3"H pg 49	8'4"SP pg 50	8'4"SPX pg 51

FUNBOARDS

7'1"EA pg 33	7'5"A pg 37	7'6"EA pg 38	7'7"A pg 39	8'1"EA pg 46	8'2"A pg 47	8'2"AX pg 48
8'6"EA pg 53	9'3"A pg 57	9'3"AX pg 58				

LONGBOARDS

8'9"Y pg 54	8'9"YX pg 55	9'3"Y pg 59	9'4"B pg 60	9'5"M pg 61	9'8"Y pg 62	9'9"B pg 65
10'1"C pg 67	10'2"B pg 68	10'2"BX pg 69	10'8"C pg 73	10'8"Y pg 74	11'3"D pg 76	

GUNS

7'2"EA pg 34	7'8"EA pg 40	7'11"A pg 44	8'5"A pg 52	9'2"A pg 56	9'9"A pg 63	9'9"AX pg 64
10'0"BG pg 66	10'6"A pg 70	10'6"AX pg 71	10'8"BG pg 72	11'8"BG pg 77		

SUPs

9'6"SUP pg 93	10'0"SUP pg 94	10'4"SUP-A pg 95	10'4"SUP-B pg 96	10'10"T pg 75	11'2"SUP-A pg 97
11'2"SUP-B pg 98	12'1"SUP pg 99	12'6"SUP pg 100			

SUPERFUSED EPS

6'5" pg 79	6'5"X pg 80	6'8" pg 81	6'8"X pg 82	7'2" pg 83	7'2"X pg 84	7'8" pg 85
7'8"X pg 86	8'8" pg 87	8'8"X pg 88	9'8" pg 89	9'8"X pg 90	9'8"XX pg 91	

SHORTBOARD

5'9"P

Designed by
TIMMY PATTERSON

Introduced: April 2006

ROCKER

4 3/4" 12.07 cm
2 3/4" 6.99 cm
1 1/2" 3.81 cm
3/4" 1.91 cm
5/16" 0.79 cm
1/4" 0.64 cm
1/2" 1.27 cm
13/16" 2.06 cm
1 3/8" 3.49 cm
2" 5.08 cm

THICKNESS

13/16" 2.06 cm
1 3/16" 3.02 cm
1 5/8" 4.13 cm
2" 5.08 cm
2 5/16" 5.87 cm
2 7/16" 6.19 cm
2 5/16" 5.87 cm
2 1/16" 5.24 cm
1 3/4" 4.45 cm
1 3/8" 3.49 cm
15/16" 2.38 cm

WIDTH

3 1/2" 8.89 cm
9 7/8" 25.10 cm
13 11/16" 34.77 cm
16 7/16" 41.75 cm
18 3/16" 46.20 cm
19 3/8" 49.21 cm
18 1/2" 46.99 cm
17 1/16" 43.34 cm
14 13/16" 37.62 cm
11 9/16" 29.37 cm
5 1/2" 13.97 cm

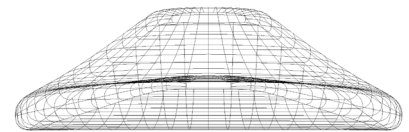
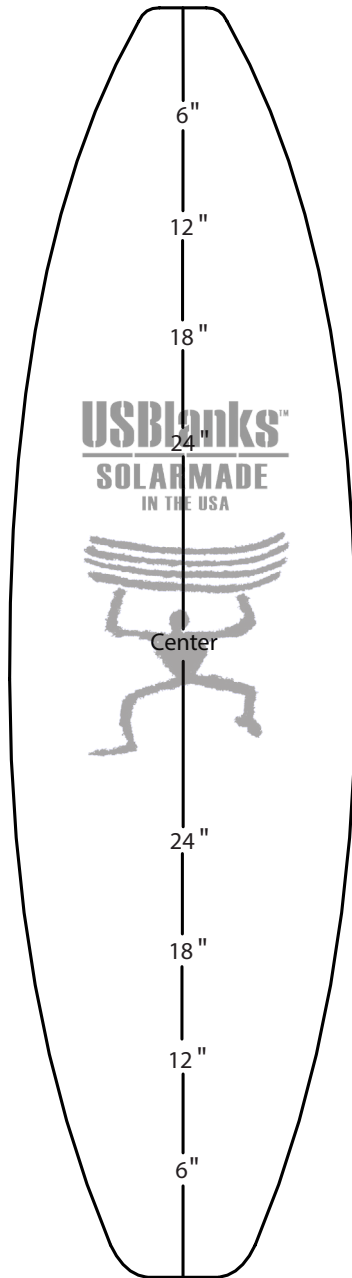
Overall Bottom Length: 5'10 1/4" (178.44 cm)

Tip-to-Tip Deck Length: 5'9 5/8" (176.85 cm)

Max Width: 19 3/8" (49.21 cm)

Max Thickness: 2 7/16" (6.19 cm)

Displacement: 1.14 ft³ (32.2 L)



"This is an ideal Grom blank with medium volume. It has an excellent natural rocker which will also work well in the 6'0"P and 6'2"P matched from the nose. A perfect hand shape blank that can also be used on the machine."
TIMMY PATTERSON

FISH/EGG

5'10"RP

Designed by

RICH PAVEL

Introduced: October 2008

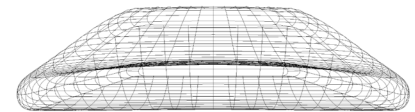
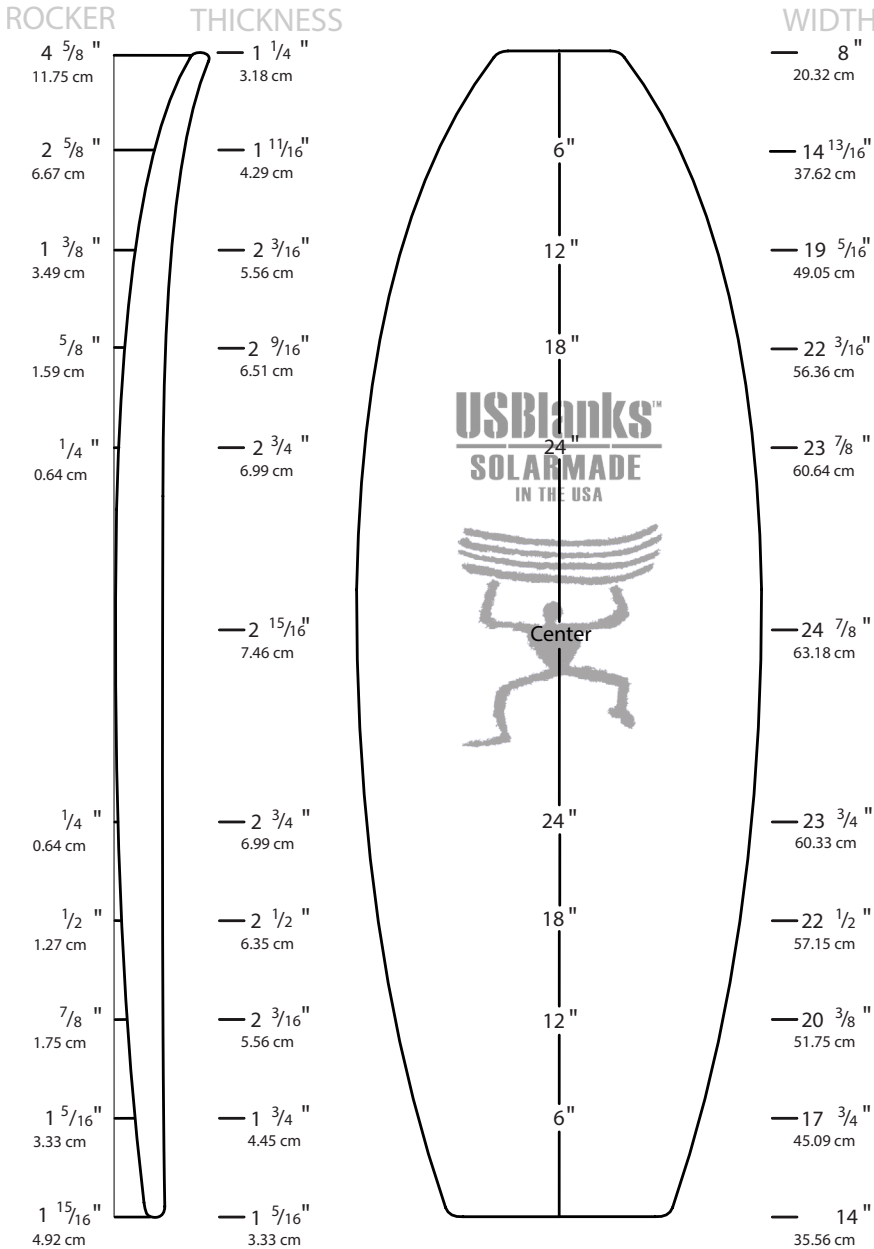
Overall Bottom Length: 5'11 1/4" (180.98 cm)

Tip-to-Tip Deck Length: 5'10 3/4" (179.71 cm)

Max Width: 24 7/8" (63.18 cm)

Max Thickness: 2 15/16" (7.46 cm)

Displacement: 1.91 ft³ (54.1 L)



"This is a versatile blank with enough volume to accommodate multiple styles of surfboard, but it was inspired by input from the famed 'Fish Fry' events attended worldwide. It was designed for the modern hand shaper but modified for machine shapes. It easily nets 5'10" deck measurement with high-performance rockers and thicker profiles."

RICH PAVEL



SHORTBOARD

6'0"P

Designed by

TIMMY PATTERSON

Introduced: January 2007

Overall Bottom Length: 6'0 3/4" (184.15 cm)

Tip-to-Tip Deck Length: 6'0 1/4" (182.88 cm)

Max Width: 20" (50.80 cm)

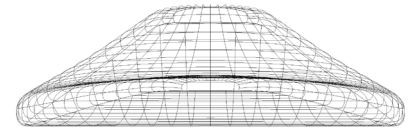
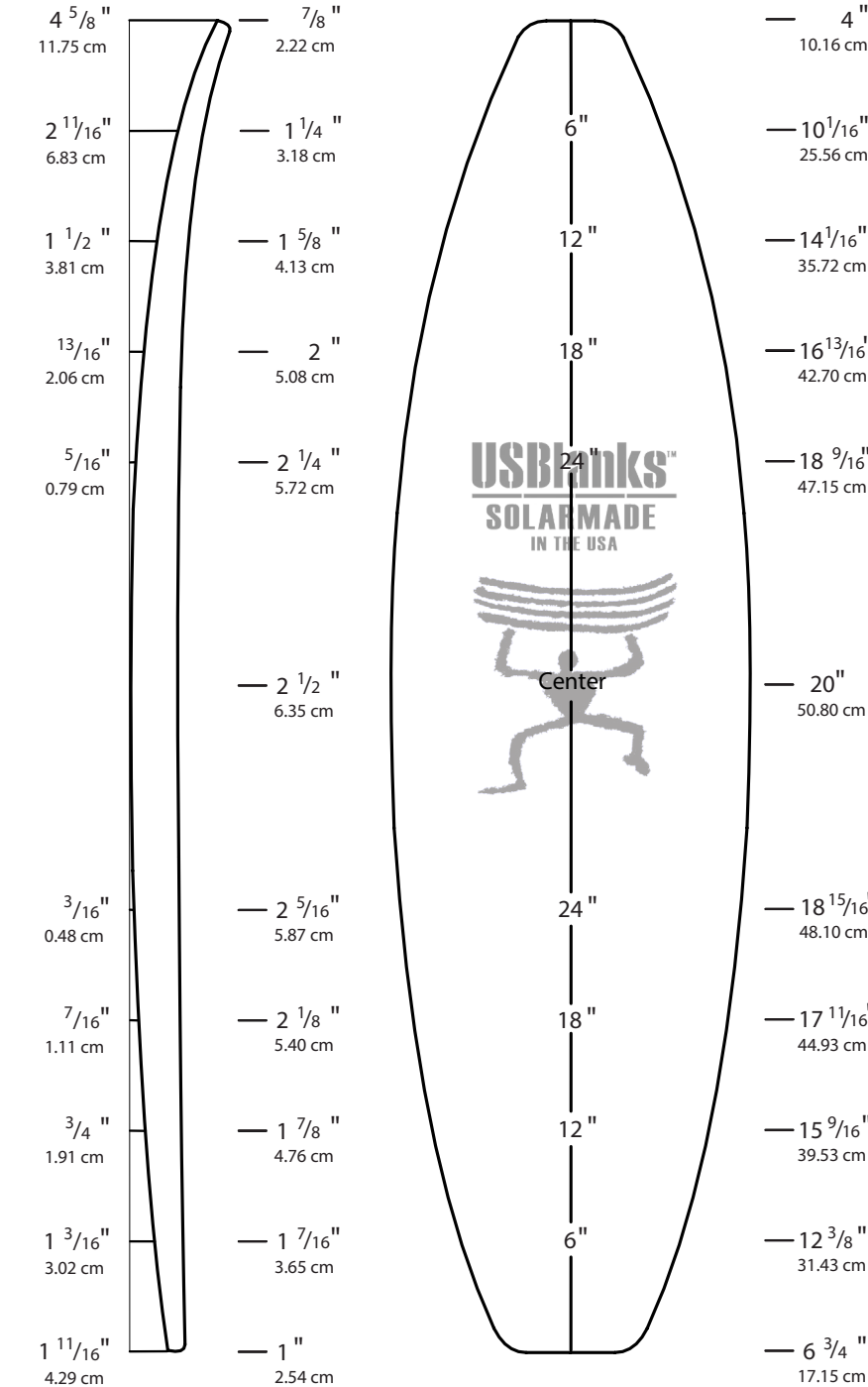
Max Thickness: 2 1/2" (6.35 cm)

Displacement: 1.23 ft³ (34.9 L)

ROCKER

THICKNESS

WIDTH



"This is a close-to-medium tolerance blank excellent for Junior sizes. Adjusted thickness flow in the nose and tail makes it a perfect quick shape blank. The design was based on the 6'2"P."

TIMMY PATTERSON



SOLARMADE
IN THE USA
USBANKS.COM

SHORTBOARD

6'0"R

Designed by

RUSTY PREISENDORFER

Introduced: March 2011

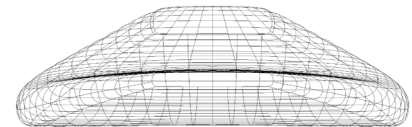
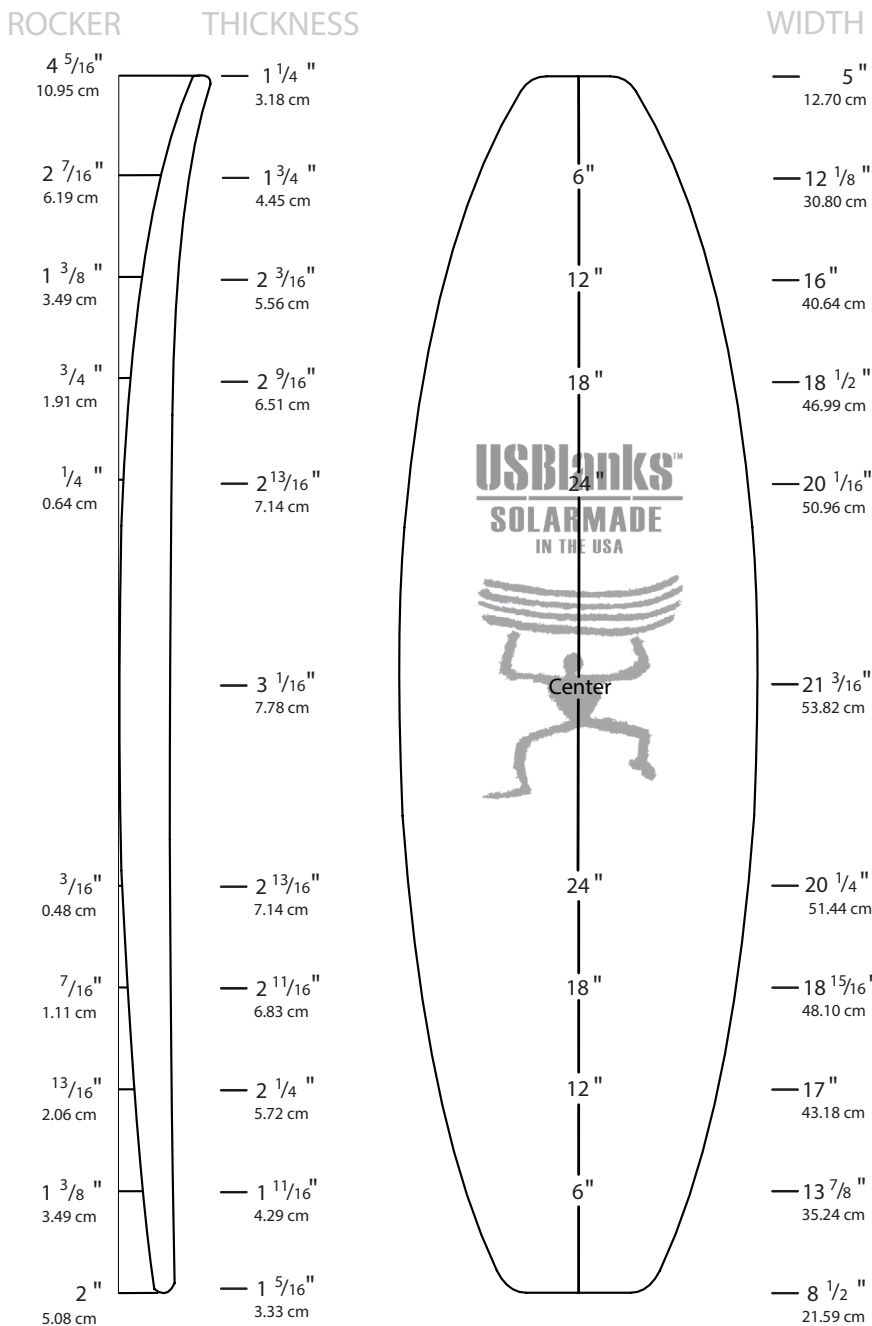
Overall Bottom Length: 6'0 1/2" (184.15 cm)

Tip-to-Tip Deck Length: 5'11 3/4" (182.25 cm)

Max Width: 21 3/16" (53.82 cm)

Max Thickness: 3 3/16" (7.78 cm)

Displacement: 1.667 ft³ (47.2 L)



“Designed to be a versatile blank for shorter, wider, relaxed rockered boards. Somewhere between a Fish and performance Shortboard, with added volume under the chest. Semi-flat deck and thicker on the ends. It should provide a wide range of options.”

RUSTY PREISENDORFER



FISH/EGG

6'2" A

Designed by

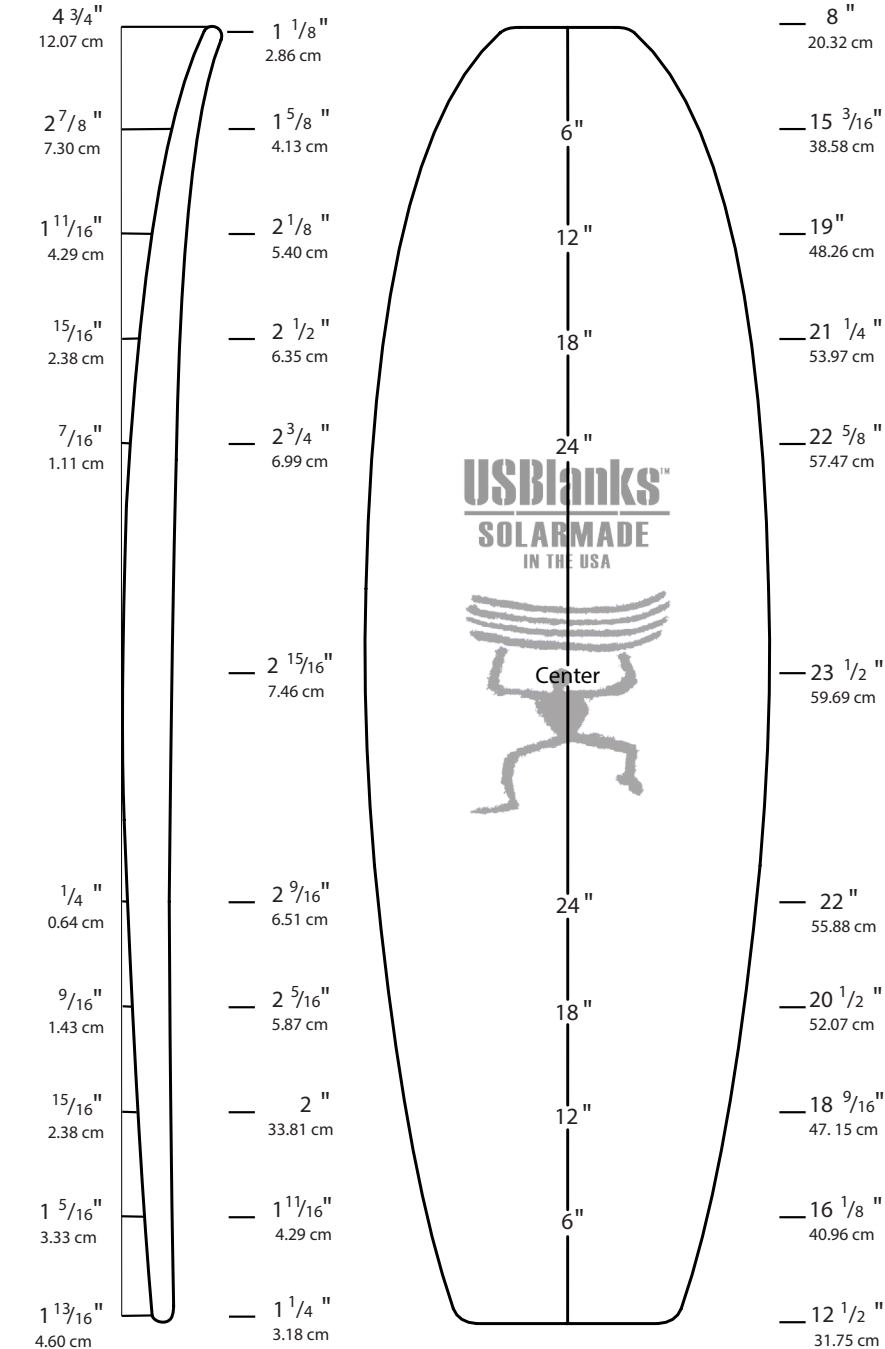
PAT RAWSON

Introduced: July 2006

ROCKER

THICKNESS

WIDTH



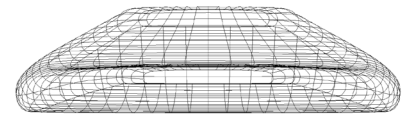
Overall Bottom Length: 6'2 3/4" (189.87 cm)

Tip-to-Tip Deck Length: 6'2" (187.96 cm)

Max Width: 23 1/2" (59.69 cm)

Max Thickness: 2 15/16" (7.46 cm)

Displacement: 1.95 ft³ (55.1 L)



"I designed this one to be able to easily net 6'1" by the bottom measurement for a shorter length contemporary, retro Fish, or Single-Fin design."
PAT RAWSON



SHORTBOARD

6'2"P

Designed by

TIMMY PATTERSON

Introduced: July 2006

Overall Bottom Length: 6'2 1/2" (189.23 cm)

Tip-to-Tip Deck Length: 6'1 7/8" (187.64 cm)

Max Width: 20 1/2" (52.07 cm)

Max Thickness: 2 1/2" (6.35 cm)

Displacement: 1.31 ft³ (37.2 L)

ROCKER

THICKNESS

WIDTH

4 7/16"
11.27 cm

3/4"
1.91 cm

2 1/2"
6.35 cm

1 1/4"
3.18 cm

1 1/2"
3.81 cm

1 5/8"
4.13 cm

13/16"
2.06 cm

2"
5.08 cm

3/8"
0.95 cm

2 1/4"
5.72 cm

2 1/2"
6.35 cm

5/16"
0.79 cm

2 3/8"
6.03 cm

5/8"
1.59 cm

2 3/16"
5.57 cm

1 1/16"
2.70 cm

1 7/8"
4.76 cm

1 5/8"
4.13 cm

1 3/8"
3.49 cm

2 1/4"
5.72 cm

1"
2.54 cm

4 1/2"
11.43 cm

10"
25.40 cm

14"
35.56 cm

16 3/4"
42.55 cm

18 5/8"
47.31 cm

20 1/2"
52.07 cm

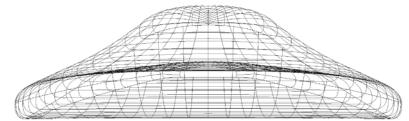
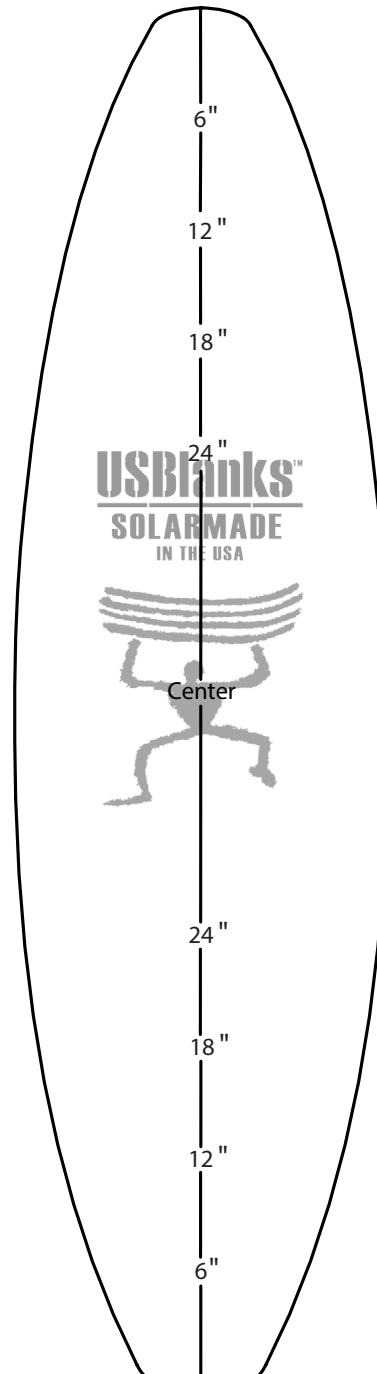
19 7/16"
49.37 cm

17 7/8"
45.40 cm

15 7/16"
39.21 cm

11 7/8"
30.16 cm

6 1/8"
15.58 cm



“This blank is designed for team boards and production shaping. It is a shorter version of the 6'7”P, which has a little more thickness in the nose and tail than the original. A medium tolerance blank.”

TIMMY PATTERSON



SOLARMADE
IN THE USA
USBLANKS.COM

SHORTBOARD

6'3"EA

Designed by

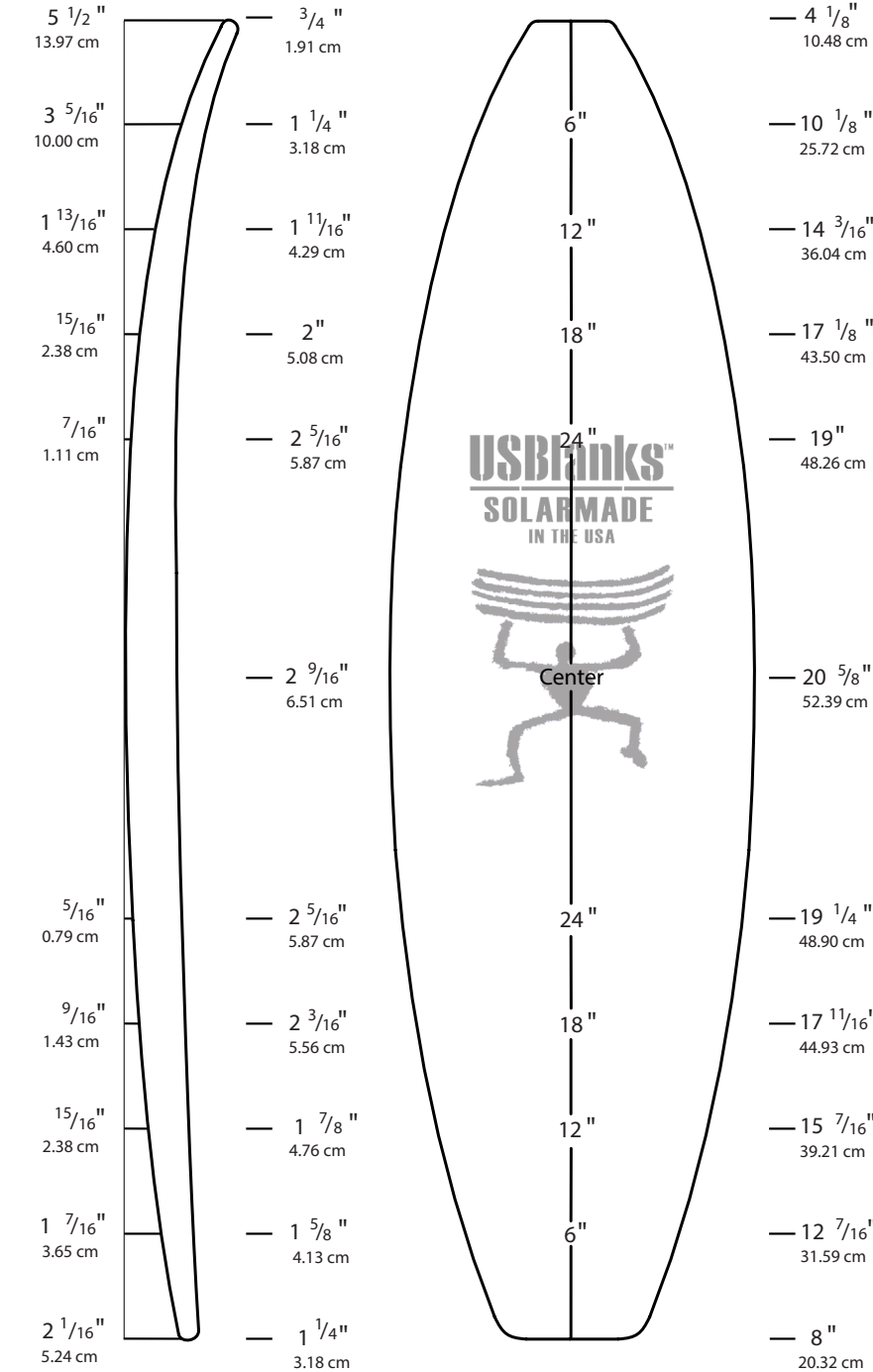
ERIC ARAKAWA

Introduced: July 2006

ROCKER

THICKNESS

WIDTH



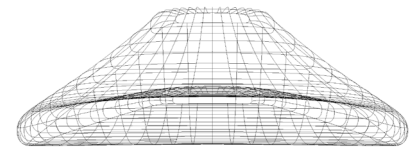
Overall Bottom Length: 6'4 1/8" (193.36 cm)

Tip-to-Tip Deck Length: 6'3 1/4" (191.14 cm)

Max Width: 20 5/8" (52.39 cm)

Max Thickness: 2 9/16" (6.51 cm)

Displacement: 1.38 ft³ (39.2 L)



"Designed to be a versatile blank for boards 6'2" and under. I added a little nose width to accommodate most modern full nose shortboards. This is essentially a thinner version of the 6'4" EA."

ERIC ARAKAWA



SOLARMADE
IN THE USA
USBLANKS.COM

SHORTBOARD

6'4"EA

Designed by
ERIC ARAKAWA

Introduced: July 2006

ROCKER

THICKNESS

WIDTH

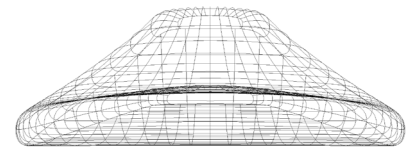
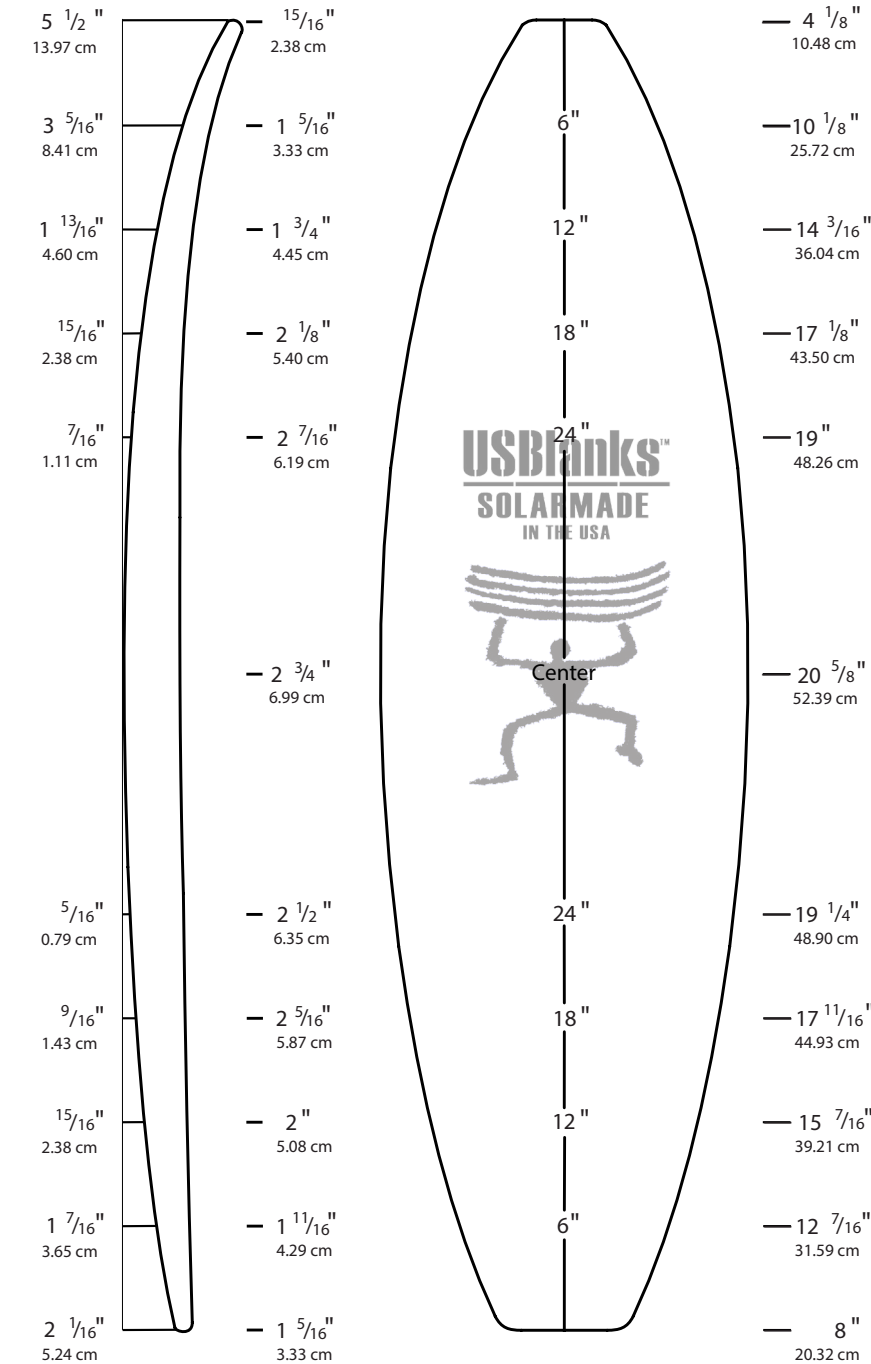
Overall Bottom Length: 6'4 1/4" (193.66 cm)

Tip-to-Tip Deck Length: 6'3 1/2" (191.14 cm)

Max Width: 20 5/8" (52.39 cm)

Max Thickness: 2 3/4" (6.99 cm)

Displacement: 1.49 ft³ (42.3 L)



"Designed to be a versatile blank for boards 6'2" and under. I added a little nose width to accommodate most modern full nose shortboards, and it also accommodates machine shapes."

ERIC ARAKAWA



SOLARMADE
IN THE USA
USBANKS.COM

SHORTBOARD

6'4" MB

Designed by

MATT BIOLOS

Introduced: January 2016

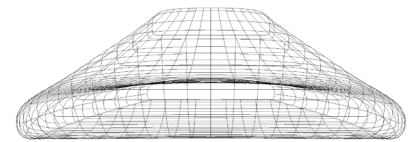
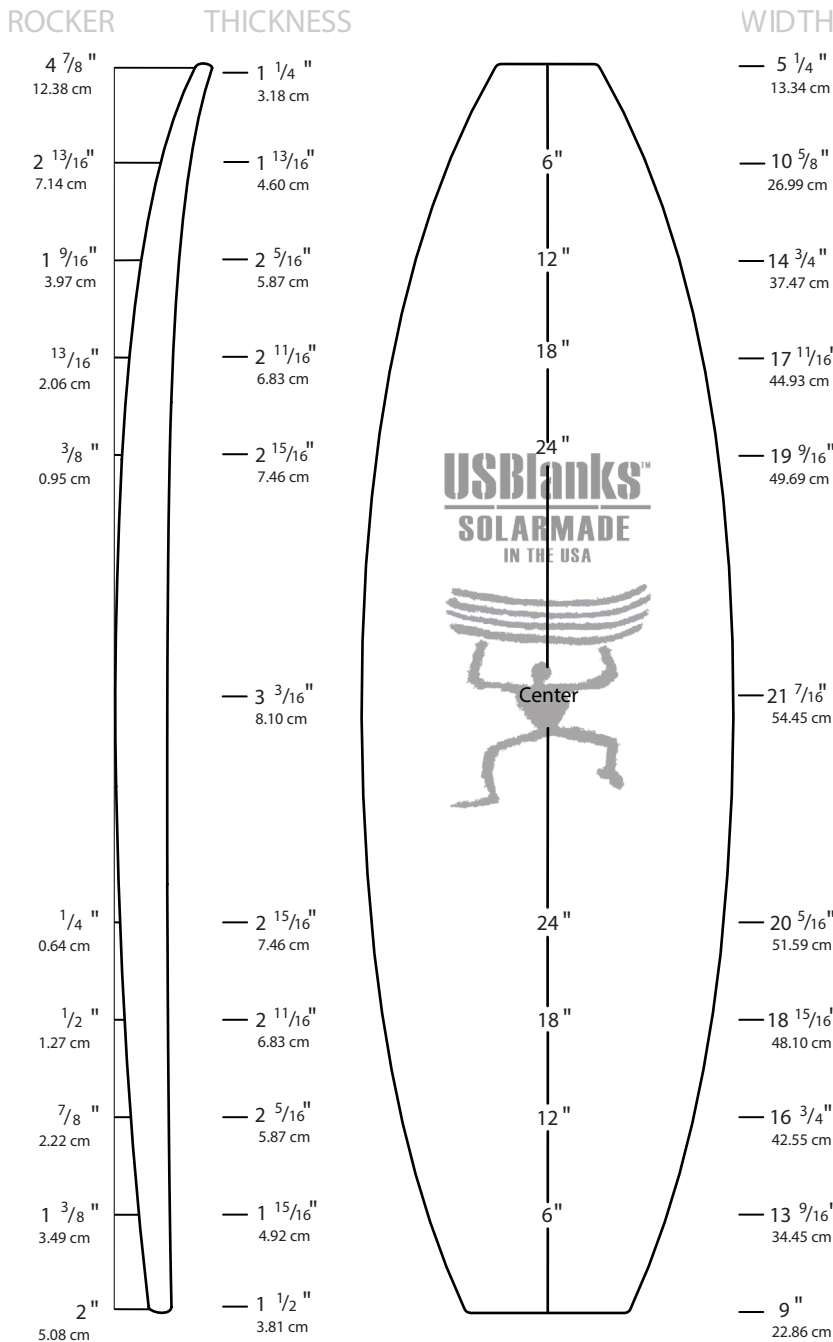
Overall Bottom Length: 6'4 7/8" (195.26 cm)

Tip-to-Tip Deck Length: 6'4 1/8" (193.36 cm)

Max Width: 21 7/16" (54.45 cm)

Max Thickness: 3 3/16" (8.10 cm)

Displacement: 1.836 ft³ (52.0 L)



"This blank fills the volume gap between the 6'4" EA & 6'5" R. Ideal for grovelers and thicker shortboards, the blank features more subtle nose and tail rocker and enough thickness to fit a wide variety of modern shortboard needs."

MATT BIOLOS



FISH/EGG

6'5" A

Designed by

PAT RAWSON

Introduced: July 2006

ROCKER

THICKNESS

WIDTH

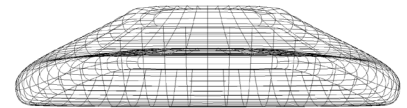
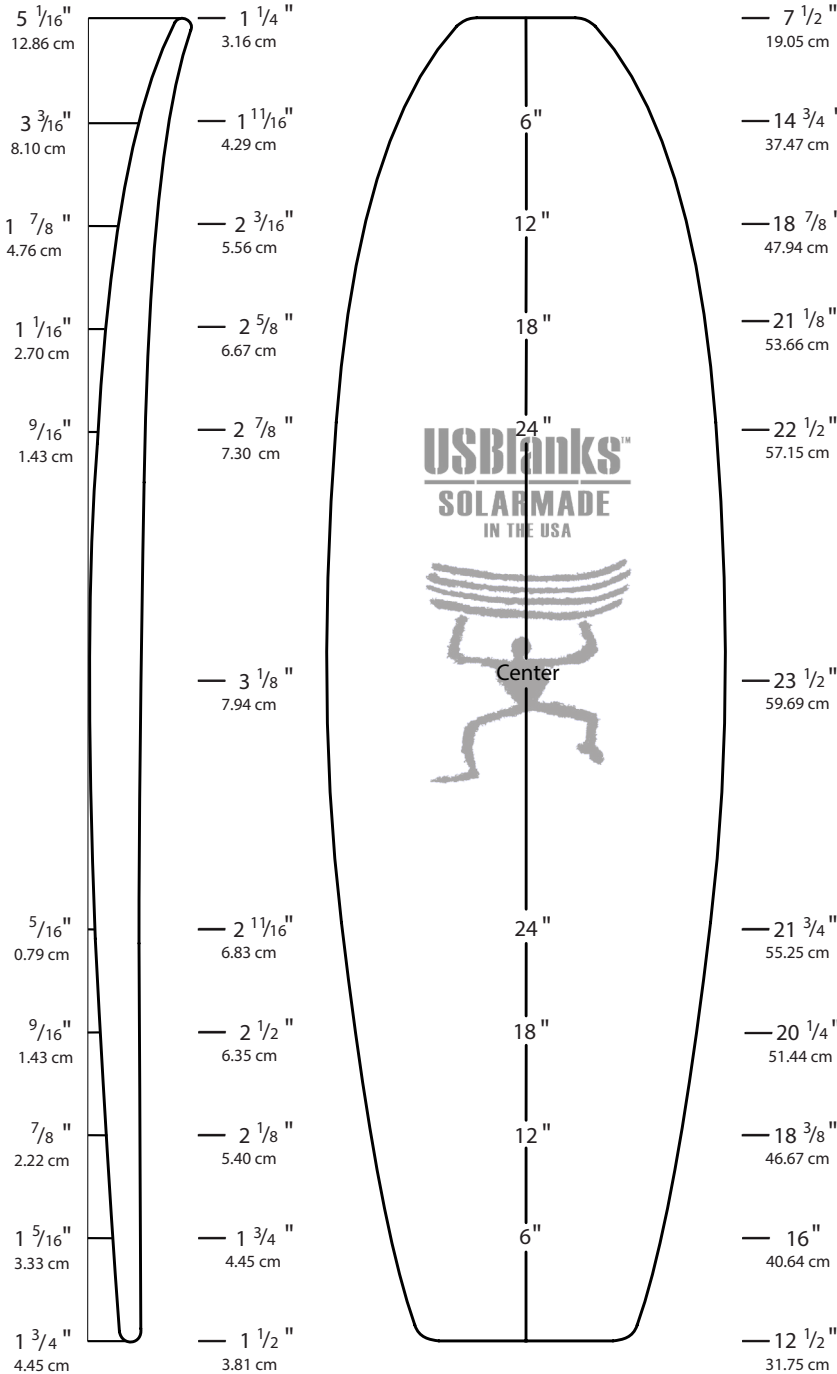
Overall Bottom Length: 6'5 1/2" (196.85 cm)

Tip-to-Tip Deck Length: 6'4 7/8" (195.26 cm)

Max Width: 23 1/2" (59.69 cm)

Max Thickness: 3 1/8" (7.94 cm)

Displacement: 2.15 ft³ (60.9 L)



"This is the longer version of my 6'2" A. It easily nets 6'4" by the bottom measurement for a shorter mid length contemporary, a retro Fish, or a Single-Fin design."
PAT RAWSON



SHORTBOARD

6'5"R

Designed by

RUSTY PREISENDORFER

Introduced: April 2011

ROCKER

THICKNESS

WIDTH

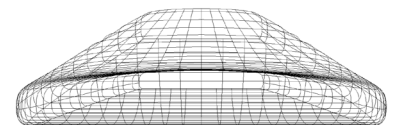
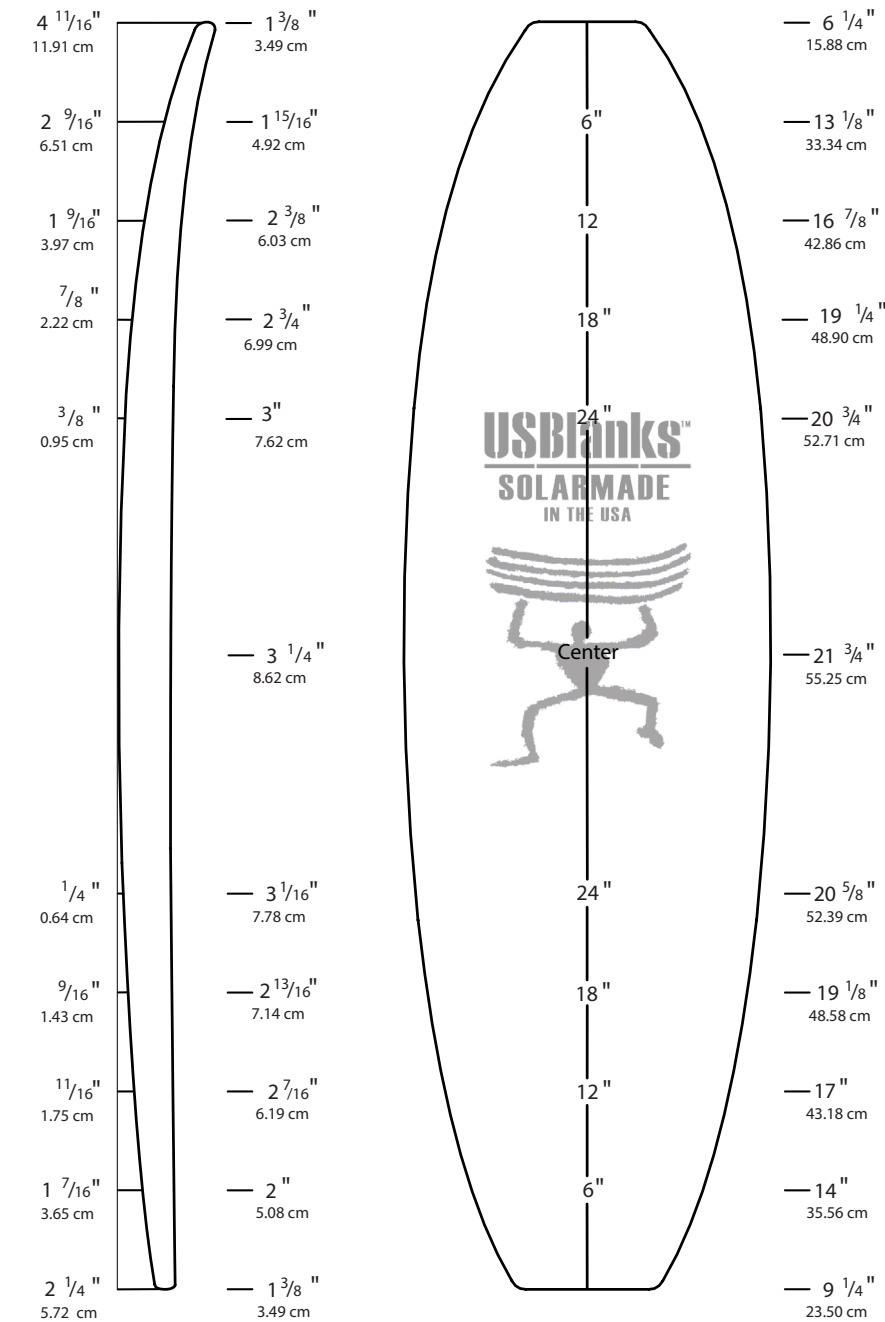
Overall Bottom Length: 6'5 1/2" (196.85 cm)

Tip-to-Tip Deck Length: 6'4 3/4" (194.95 cm)

Max Width: 21 3/4" (55.25 cm)

Max Thickness: 3 1/4" (8.26 cm)

Displacement: 1.98 ft³ (56.0 L)



"This is the larger version of the 6'0"R. Designed to be a versatile blank for shorter, wider, relaxed rockered boards; somewhere between a Fish and a performance Shortboard, with added volume under the chest. The semi-flat deck and thicker nose and tail provide a wide range of design options."
RUSTY PREISENDORFER



FISH/EGG

6'6"EA

Designed by

ERIC ARAKAWA

Introduced: July 2006

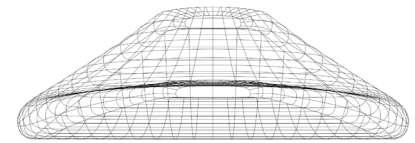
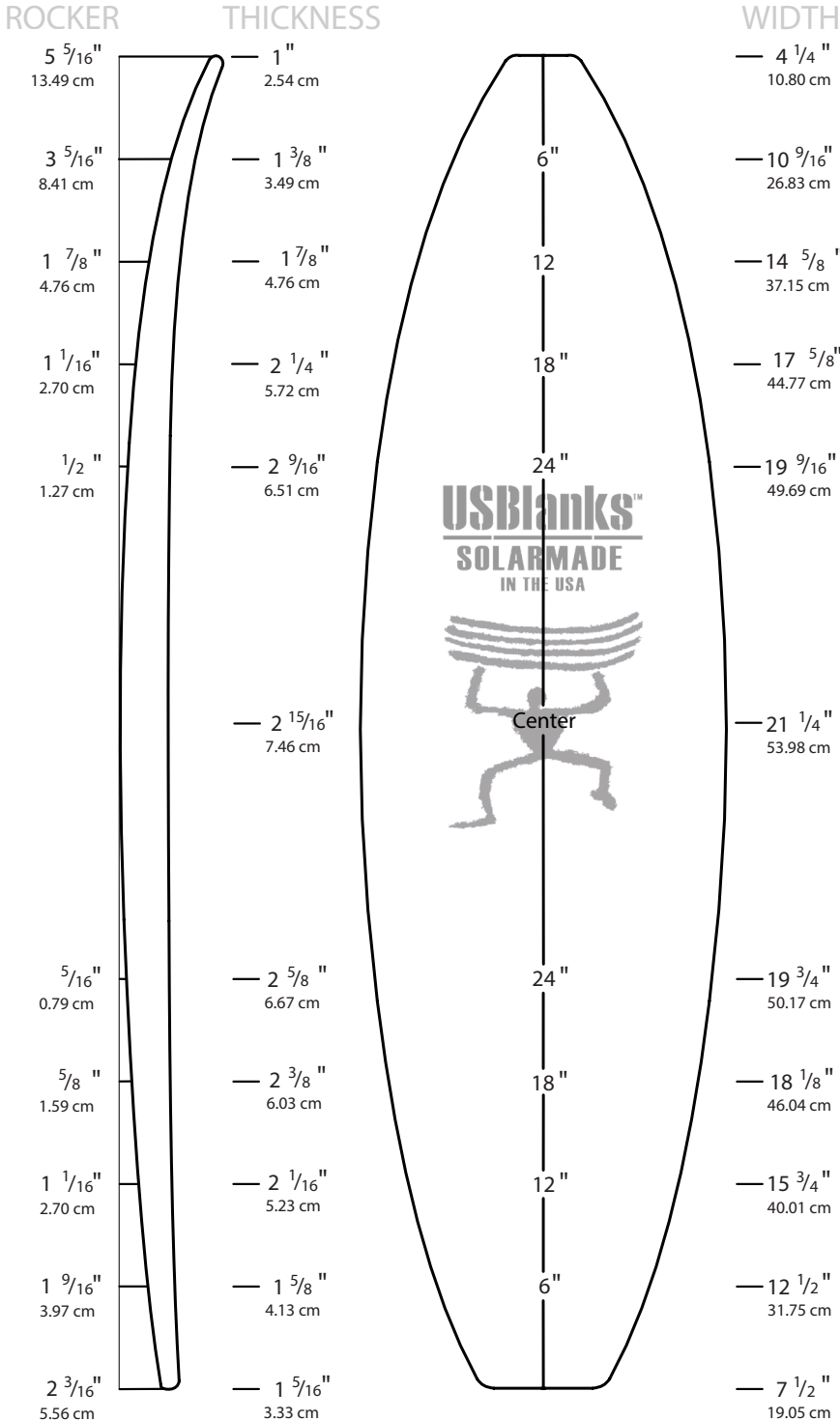
Overall Bottom Length: 6'6 1/8" (198.44 cm)

Tip-to-Tip Deck Length: 6'5 3/8" (196.22 cm)

Max Width: 21 1/4" (53.98 cm)

Max Thickness: 2 15/16" (7.46 cm)

Displacement: 1.65 ft³ (46.7 L)



"This blank is intended for high-performance shortboard designs between 6'2" and 6'5" in length. It was designed in concert with the 6'4"EA and 6'9"EA."
ERIC ARAKAWA



SHORTBOARD

6'7" P

Designed by

TIMMY PATTERSON

Introduced: July 2006

Overall Bottom Length: 6'7 1/8" (200.66 cm)

Tip-to-Tip Deck Length: 6'6 1/2" (198.76 cm)

Max Width: 21 1/2" (54.61 cm)

Max Thickness: 2 3/4" (6.99 cm)

Displacement: 1.54 ft³ (43.6 L)

ROCKER

THICKNESS

WIDTH

5 1/4"
13.34 cm

3 1/4"
8.26 cm

1 15/16"
4.92 cm

1 1/8"
2.86 cm

9/16"
1.43 cm

3/8"
0.95 cm

3/4"
1.91 cm

1 3/16"
3.02 cm

1 3/4"
4.45 cm

2 3/8"
6.03 cm

3/4"
1.91 cm

1 1/8"
2.86 cm

1 9/16"
3.97 cm

2"
5.08 cm

2 5/16"
5.87 cm

2 3/4"
6.99 cm

2 7/16"
6.19 cm

2 3/16"
5.56 cm

1 13/16"
4.60 cm

1 3/8"
3.49 cm

1"
2.54 cm

4 3/8"
11.11 cm

10 1/4"
26.04 cm

14 1/2"
36.83 cm

17 3/8"
44.13 cm

19 7/16"
49.37 cm

21 1/2"
54.61 cm

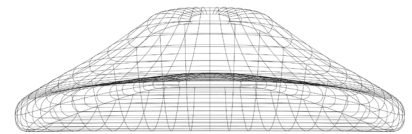
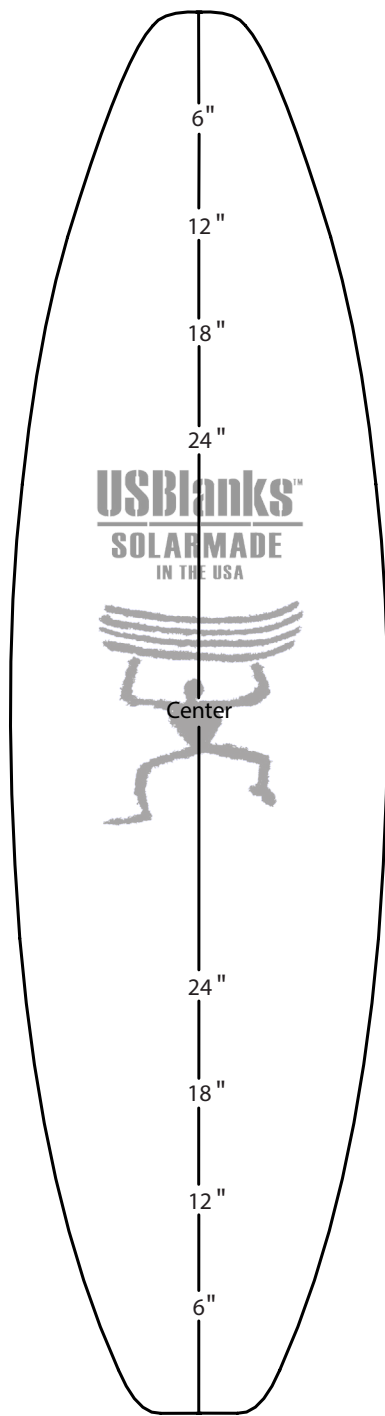
19 15/16"
50.64 cm

18 3/8"
46.67 cm

15 7/8"
40.32 cm

12 1/2"
31.75 cm

6 3/4"
17.15 cm



“This blank was designed for team boards and production shaping. It has a little more thickness in the nose and tail than the original 6'6" P. It's a medium tolerance blank.”

TIMMY PATTERSON



SOLARMADE
IN THE USA
USBLANKS.COM

FISH/EGG

6'8" A

Designed by

PAT RAWSON

Introduced: July 2006

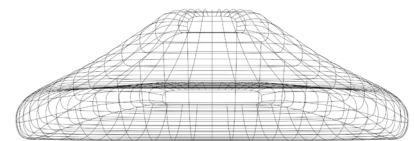
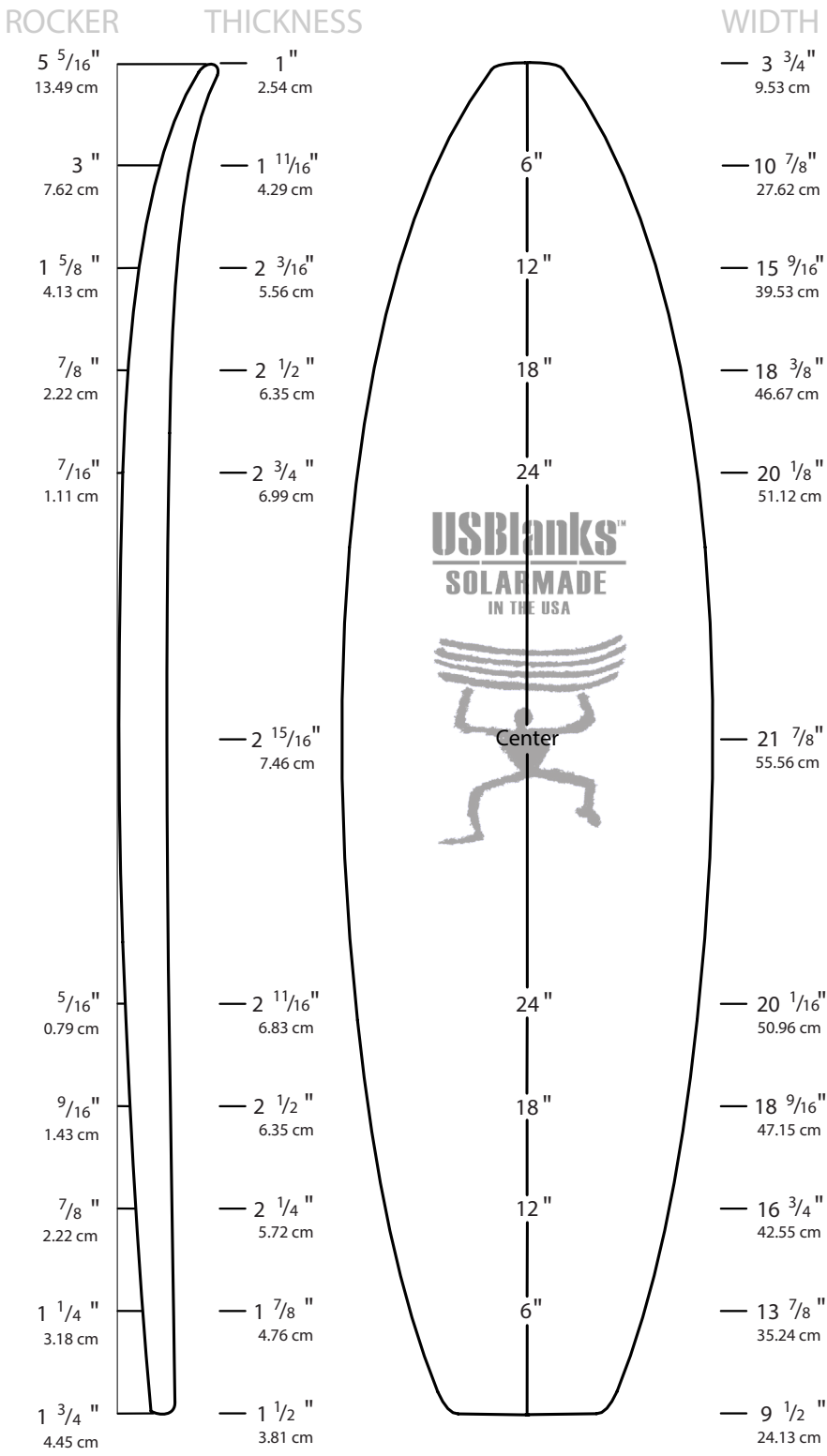
Overall Bottom Length: 6'7 3/4" (202.57 cm)

Tip-to-Tip Deck Length: 6'7" (200.66 cm)

Max Width: 21 7/8" (55.56 cm)

Max Thickness: 2 15/16" (7.46 cm)

Displacement: 1.95 ft³ (55.3 L)



"I have listened to many shaper's feedback over the years with this blank. The slightly wider outline allows for board designs ranging from Shortboards to Fun shapes. The Natural Rocker is good for vee tail and contour nose shapes. The Hawaii Rocker can be used for high-performance styles."
PAT RAWSON



FISH/EGG

6'8" AX

Designed by

PAT RAWSON

Introduced: July 2006

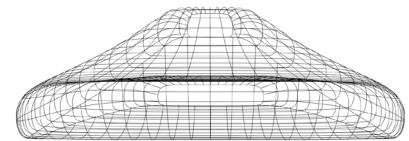
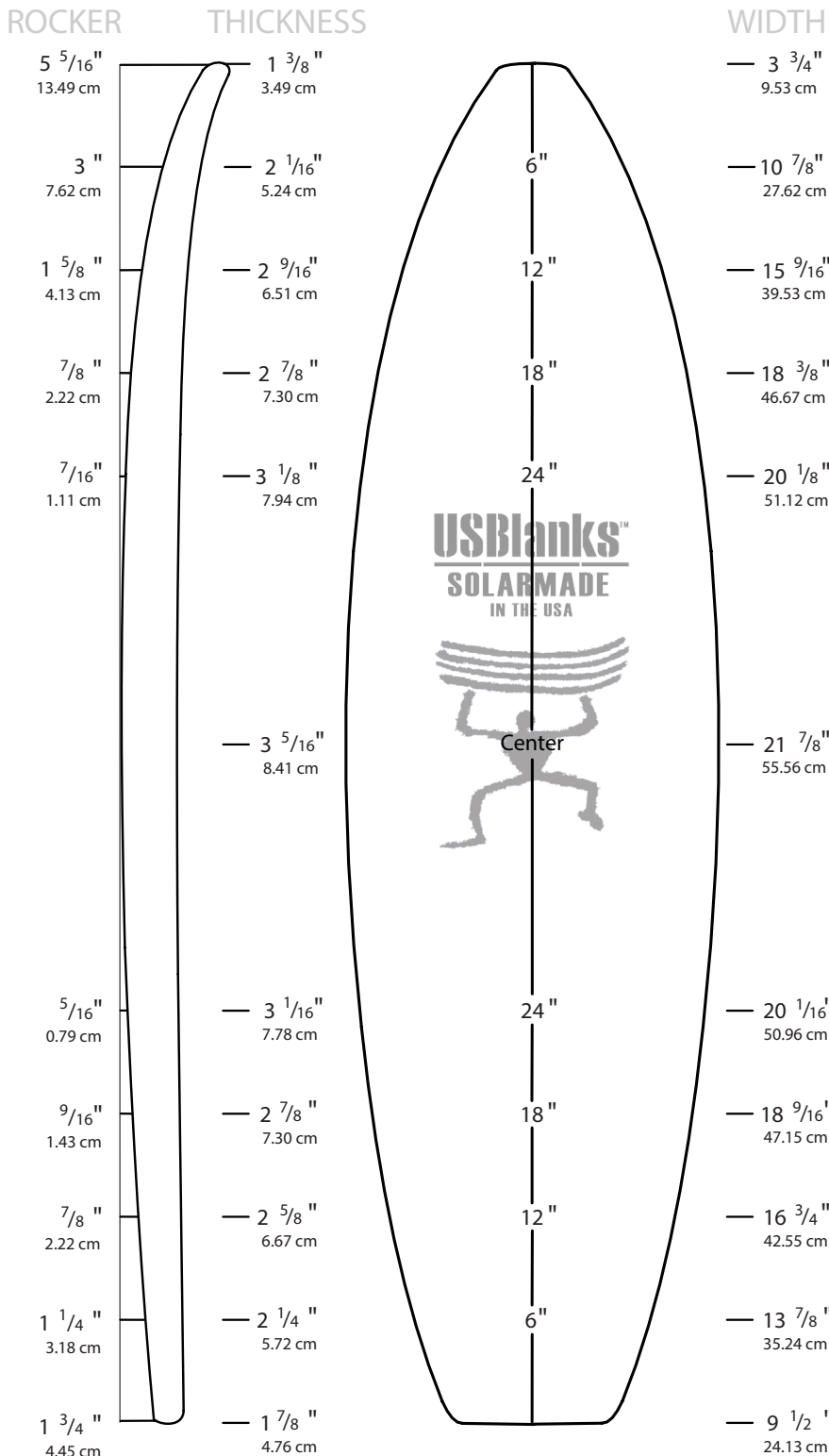
Overall Bottom Length: 6'7 3/4" (202.57 cm)

Tip-to-Tip Deck Length: 6'7" (200.66 cm)

Max Width: 21 7/8" (55.56 cm)

Max Thickness: 3 5/16" (8.41 cm)
6'8"A with 3/8" added thickness overall

Displacement: 2.24 ft³ (63.5 L)



"This is a 3/8" thicker version than the 6'8"A. I have listened to many shaper's feedback over the years with this blank. The slightly wider outline allows for board designs ranging from Shortboards to Fun shapes. The Natural Rocker is good for vee tail and contour nose shapes. The Hawaii Rocker can be used for high-performance styles."

PAT RAWSON



SOLARMADE
IN THE USA
USBLANKS.COM

SHORTBOARD

6'8" P

Designed by

TIMMY PATTERSON

Introduced: July 2006

Overall Bottom Length: 6'7 1/2" (201.93 cm)

Tip-to-Tip Deck Length: 6'6 3/4" (200.03 cm)

Max Width: 21 3/8" (54.29 cm)

Max Thickness: 2 3/4" (6.99 cm)

Displacement: 1.57 ft³ (44.4 L)

ROCKER

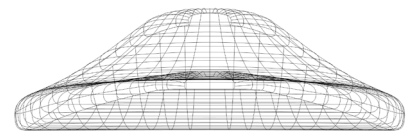
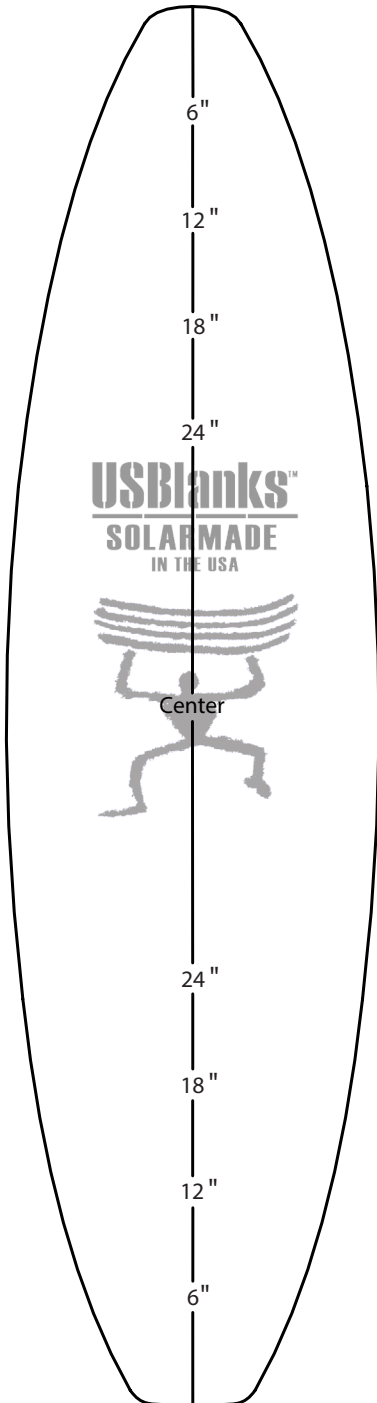
THICKNESS

WIDTH

5 1/16" 12.86 cm
3 1/16" 7.78 cm
1 13/16" 4.60 cm
1" 2.54 cm
1/2" 1.27 cm
3/8" 0.95 cm
1 1/16" 1.75 cm
1 1/8" 2.86 cm
1 5/8" 4.13 cm
2 3/16" 5.56 cm

7/8" 2.22 cm
1 3/16" 3.02 cm
1 11/16" 1.69 cm
2 1/16" 5.24 cm
2 3/8" 6.03 cm
2 3/4" 6.99 cm
2 7/16" 6.19 cm
2 3/16" 5.56 cm
1 7/8" 4.76 cm
1 1/2" 3.81 cm
1" 2.54 cm

4 1/2" 11.43 cm
10 1/2" 26.67 cm
14 1/2" 36.83 cm
17 1/4" 43.82 cm
19 1/4" 48.90 cm
21 3/8" 54.29 cm
19 3/4" 50.17 cm
18 3/16" 46.19 cm
15 11/16" 39.85 cm
12 1/16" 30.64 cm
6 1/2" 16.51 cm



"Blank is designed for team boards and production shaping. Slightly narrower and longer than the 6'7" P, but with matching thicknesses. It's a medium tolerance blank."

TIMMY PATTERSON



SOLARMADE
IN THE USA
USBLANKS.COM

FISH/EGG

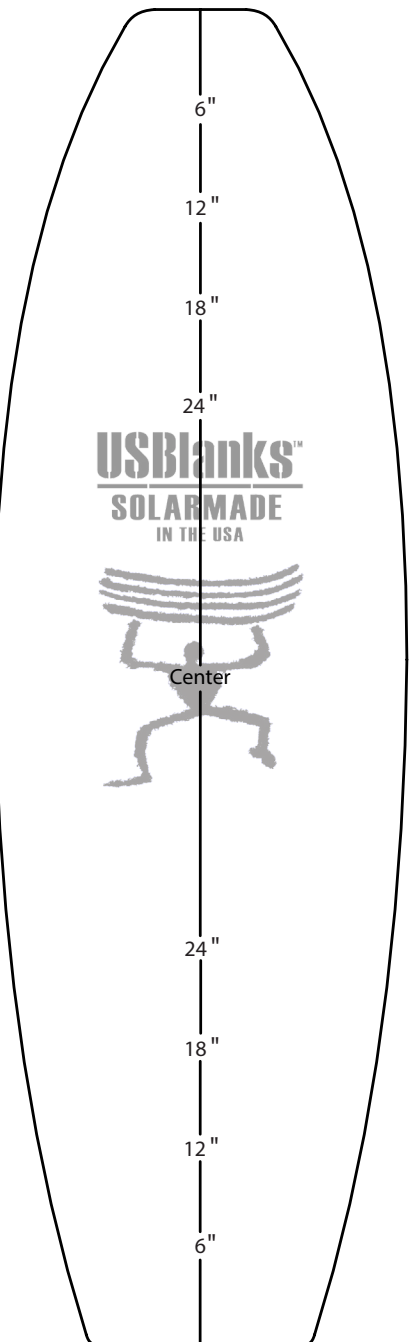
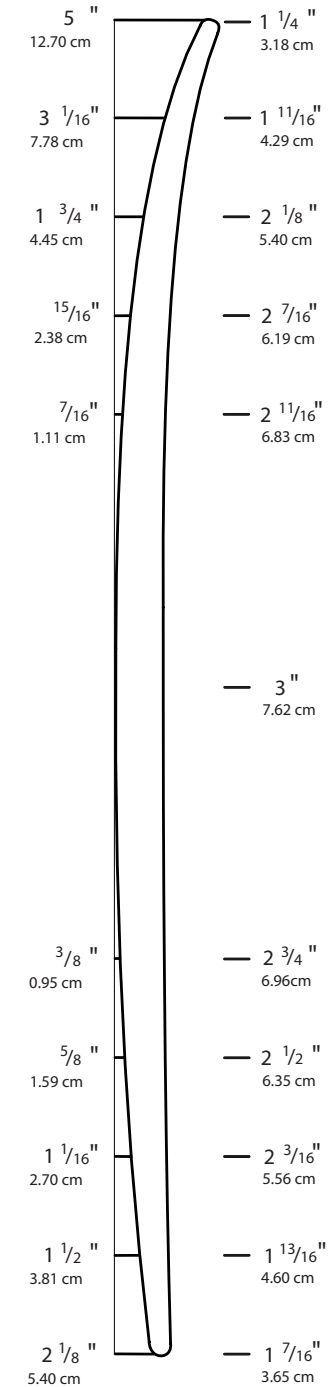
6'8"RP

Designed by

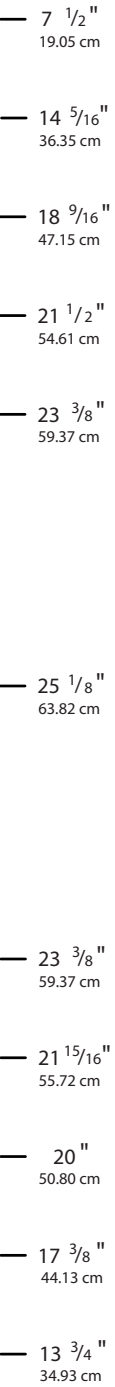
RICH PAVEL

Introduced: November 2008

ROCKER THICKNESS



WIDTH



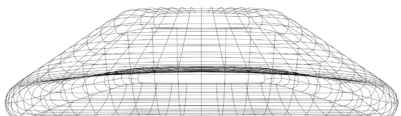
Overall Bottom Length: 6'9 1/2" (207.01 cm)

Tip-to-Tip Deck Length: 6'8 3/4" (205.11 cm)

Max Width: 25 1/8" (63.82 cm)

Max Thickness: 3" (7.62 cm)

Displacement: 2.25 ft³ (63.8 L)



“Very versatile and designed with input from some of surfing’s best design minds, the 6’8”RP is influenced by a universal rocker and timeless profiles. This blank accommodates the trend to ride shorter, fuller volume boards. It also provides enough volume for new levels of self-expression for shapers. Excellent for contemporary Lis-Fish. Big brother to the 5’10”RP.”

RICH PAVEL



SHORTBOARD

6'9"EA

ROCKER

THICKNESS

WIDTH

5 9/16"
14.13 cm

3 7/16"
8.73 cm

2"
5.08 cm

1 1/8"
2.86 cm

9/16"
1.43 cm

7/16"
1.11 cm

3/4"
1.91 cm

1 3/16"
3.02 cm

1 3/4"
4.45 cm

2 1/2"
6.35 cm

15/16"
2.38 cm

1 3/8"
3.49 cm

1 7/8"
4.76 cm

2 3/16"
5.56 cm

2 1/2"
6.35 cm

2 15/16"
7.46 cm

2 5/8"
6.67 cm

2 3/8"
6.03 cm

2"
5.08 cm

1 5/8"
4.13 cm

1 1/8"
2.86 cm

6"

12"

18"

24"

24"

18"

12"

6"

4"
10.16 cm

10 1/8"
25.72 cm

14 1/8"
35.88 cm

17 1/16"
43.34 cm

19 1/8"
48.58 cm

21 5/16"
54.13 cm

19 9/16"
49.69 cm

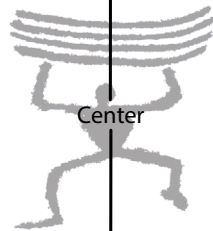
17 7/8"
45.40 cm

15 5/8"
39.69 cm

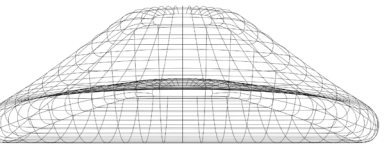
12 3/8"
31.43 cm

7"
17.78 cm

USBlanks™
SOLARMADE
IN THE USA



Center



Designed by

ERIC ARAKAWA

Introduced: July 2006

Overall Bottom Length: 6'9" (205.74 cm)

Tip-to-Tip Deck Length: 6'8" (203.20 cm)

Max Width: 21 5/16" (54.13 cm)

Max Thickness: 2 15/16" (7.46 cm)

Displacement: 1.71 ft³ (48.3 L)

"This blank is designed to yield most modern Shortboard designs. The thicker nose and tail give it added versatility for machining. I designed the rocker and foil to accommodate low and full rocker designs."

ERIC ARAKAWA



SOLARMADE
IN THE USA
USBLANKS.COM

SHORTBOARD

6'9"R

Designed by

RUSTY PREISENDORFER

Introduced: October 2014

ROCKER

THICKNESS

WIDTH

4 7/8" / 12.38 cm

1 1/8" / 2.86 cm

6" / 15.24 cm

Overall Bottom Length: 6'10 1/4" (208.92 cm)

3" / 7.62 cm

1 3/4" / 4.45 cm

13" / 33.02 cm

Tip-to-Tip Deck Length: 6'9 5/8" (207.33 cm)

1 3/4" / 4.45 cm

2 7/16" / 6.19 cm

17 3/8" / 44.13 cm

Max Width: 23 1/8" (58.74 cm)

1" / 2.54 cm

2 7/8" / 7.30 cm

20" / 50.80 cm

Max Thickness: 3 9/16" (9.05 cm)

7/16" / 1.11 cm

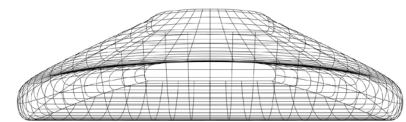
3 3/16" / 8.10 cm

21 3/4" / 55.25 cm

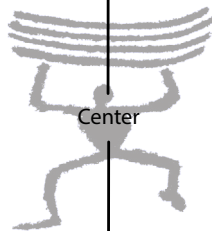
Displacement: 2.406 ft³ (68.1 L)

3 9/16" / 9.05 cm

23 1/8" / 58.74 cm



USBlanks™
SOLARMADE
IN THE USA



Center

7/16" / 1.11 cm

3 1/4" / 8.26 cm

21 7/16" / 54.45 cm

3/4" / 1.91 cm

3" / 7.62 cm

19 15/16" / 50.64 cm

1 3/16" / 3.02 cm

2 9/16" / 6.51 cm

17 3/4" / 45.09 cm

1 3/4" / 4.45 cm

2 1/16" / 5.24 cm

14 5/8" / 37.15 cm

2 3/8" / 6.03 cm

1 1/2" / 3.81 cm

9 5/8" / 24.45 cm

"The big brother to the 6'5"R to cover models in the upper size range. Designed to be a versatile blank for shorter, wider, relaxed rockered board; somewhere between a Fish and a performance Shortboard, with added volume under the chest. The semi-flat deck and thicker nose and tail provide a wide range of options."

RUSTY PREISENDORFER



SOLARMADE
IN THE USA
USBLANKS.COM

FISH/EGG

6'10" A

Designed by

PAT RAWSON

Introduced: July 2006

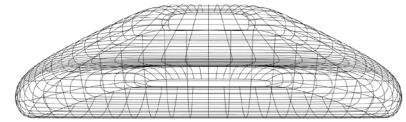
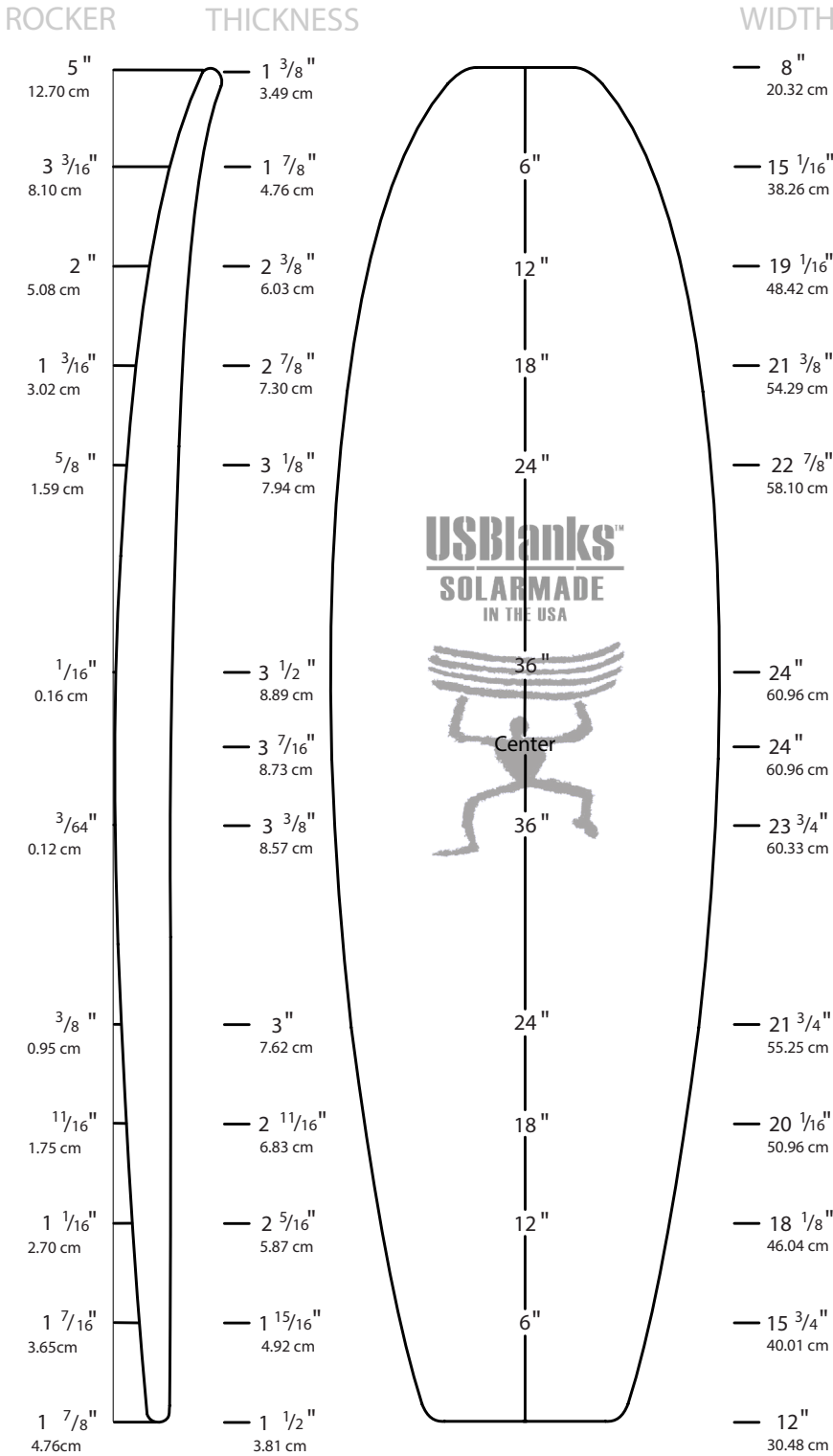
Overall Bottom Length: 6'10" (208.28 cm)

Tip-to-Tip Deck Length: 6'9 1/2" (207.01 cm)

Max Width: 24" (60.96 cm)

Max Thickness: 3 1/2" (8.89 cm)

Displacement: 2.52 ft³ (71.4 L)



"This is my big guy Fish blank, designed to be able to easily net a 6'9" bottom measurement. Ideal for 6'5" to 6'9" length contemporary, retro Fish, or Single-Fin design."

PAT RAWSON



SOLARMADE
IN THE USA
USBLANKS.COM

SHORTBOARD

7'0" A

Designed by

PAT RAWSON

Introduced: July 2006

Overall Bottom Length: 6'11 1/2" (212.09 cm)

Tip-to-Tip Deck Length: 6'10 3/4" (210.19 cm)

Max Width: 22 1/8" (56.20 cm)

Max Thickness: 3 3/16" (8.10 cm)

Displacement: 2.12 ft³ (60.0 L)

ROCKER

THICKNESS

WIDTH

5 1/2" / 13.97 cm

1" / 2.54 cm

3 1/8" / 7.94 cm

1 9/16" / 3.97 cm

1 3/4" / 4.45 cm

2 1/16" / 5.24 cm

1" / 2.54 cm

2 1/2" / 6.35 cm

1/2" / 1.27 cm

2 13/16" / 7.14 cm

1/32" / 0.08 cm

3 1/8" / 7.94 cm

1/16" / 0.16 cm

3 3/16" / 8.10 cm

7/16" / 1.11 cm

2 3/4" / 6.99 cm

1 1/16" / 1.75 cm

2 1/2" / 6.35 cm

1 1/16" / 2.70 cm

2 3/16" / 5.56 cm

1 1/2" / 3.81 cm

1 7/8" / 4.76 cm

2" / 5.08 cm

1 3/8" / 3.49 cm

4 5/8" / 11.75 cm

11 7/16" / 29.05 cm

15 5/8" / 39.69 cm

18 3/8" / 46.67 cm

20 1/8" / 51.12 cm

21 7/8" / 55.56 cm

22 1/16" / 56.04 cm

21 9/16" / 54.77 cm

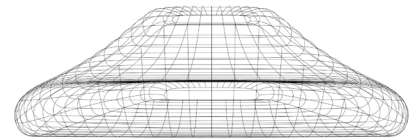
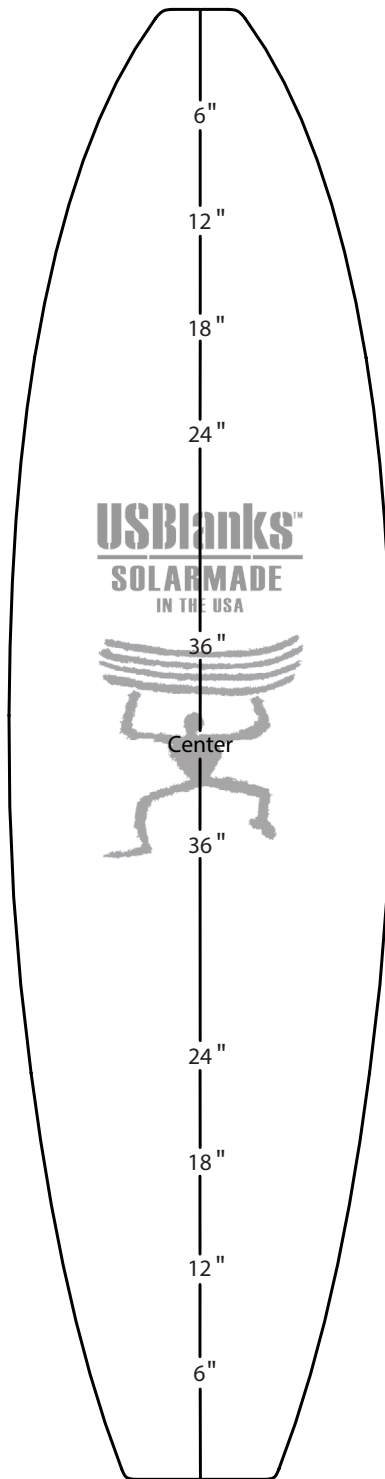
19 5/8" / 49.85 cm

17 7/8" / 45.40 cm

15 3/4" / 40.00 cm

12 3/4" / 32.39 cm

8 1/2" / 21.59 cm



"The slightly wider outline allows for board designs ranging from bigger guy Shortboards to Funshapes. The Natural Rocker is good for Vee in the tail and contoured bottom designs. The Hawaii Rocker can be used for hi-performance styles."

PAT RAWSON



SOLARMADE
IN THE USA
USBLANKS.COM

SHORTBOARD

7'1" A

Designed by

PAT RAWSON

Introduced: July 2006

Overall Bottom Length: 7'0 7/8" (215.58 cm)

Tip-to-Tip Deck Length: 6'11" (213.04 cm)

Max Width: 22 3/16" (56.36 cm)

Max Thickness: 3" (7.62 cm)

Displacement: 2.05 ft³ (58.1 L)

ROCKER

THICKNESS

WIDTH

5 1/16"
14.45 cm

1 1/8"
2.86 cm

3 1/2"
8.89 cm

1 3/4"
4.45 cm

2 1/16"
5.24 cm

2 3/16"
5.56 cm

1 1/4"
3.18 cm

2 1/2"
6.35 cm

1 1/16"
1.75 cm

2 3/4"
6.99 cm

3/32"
0.24 cm

3"
7.62 cm

1/16"
0.16 cm

2 15/16"
7.46 cm

3/8"
0.95 cm

2 5/8"
6.67 cm

1 1/16"
1.75 cm

2 7/16"
6.19 cm

1"
2.54 cm

2 1/8"
5.40 cm

1 7/16"
3.65 cm

1 13/16"
4.60 cm

2 1/16"
5.08 cm

1 5/16"
3.33 cm

4 1/2"
11.43 cm

11 1/8"
28.26 cm

15 1/2"
39.37 cm

18 3/8"
46.67 cm

20 3/16"
51.28 cm

22 1/16"
56.04 cm

22 3/16"
56.36 cm

21 3/4"
55.25 cm

19 9/16"
44.69 cm

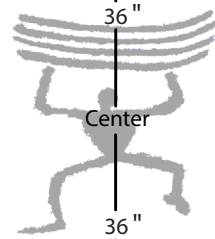
17 13/16"
45.24 cm

15 5/8"
39.69 cm

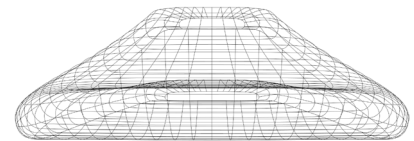
12 3/4"
32.39 cm

9"
22.86 cm

USBlanks™
SOLARMADE
IN THE USA



Center



“About 3/16” thinner than the 7'0”A, this can net a 6'11” bottom length. The Natural Rocker is good for Vee in the tail and contoured bottom designs. The Hawaii Rocker can be used for hi-performance styles. I personally like the 7'2”EA bottom curve glued-up with this one for a flatter deck design.”

PAT RAWSON



SOLARMADE
IN THE USA
USBLANKS.COM

FUNBOARD

7'1"EA

Designed by

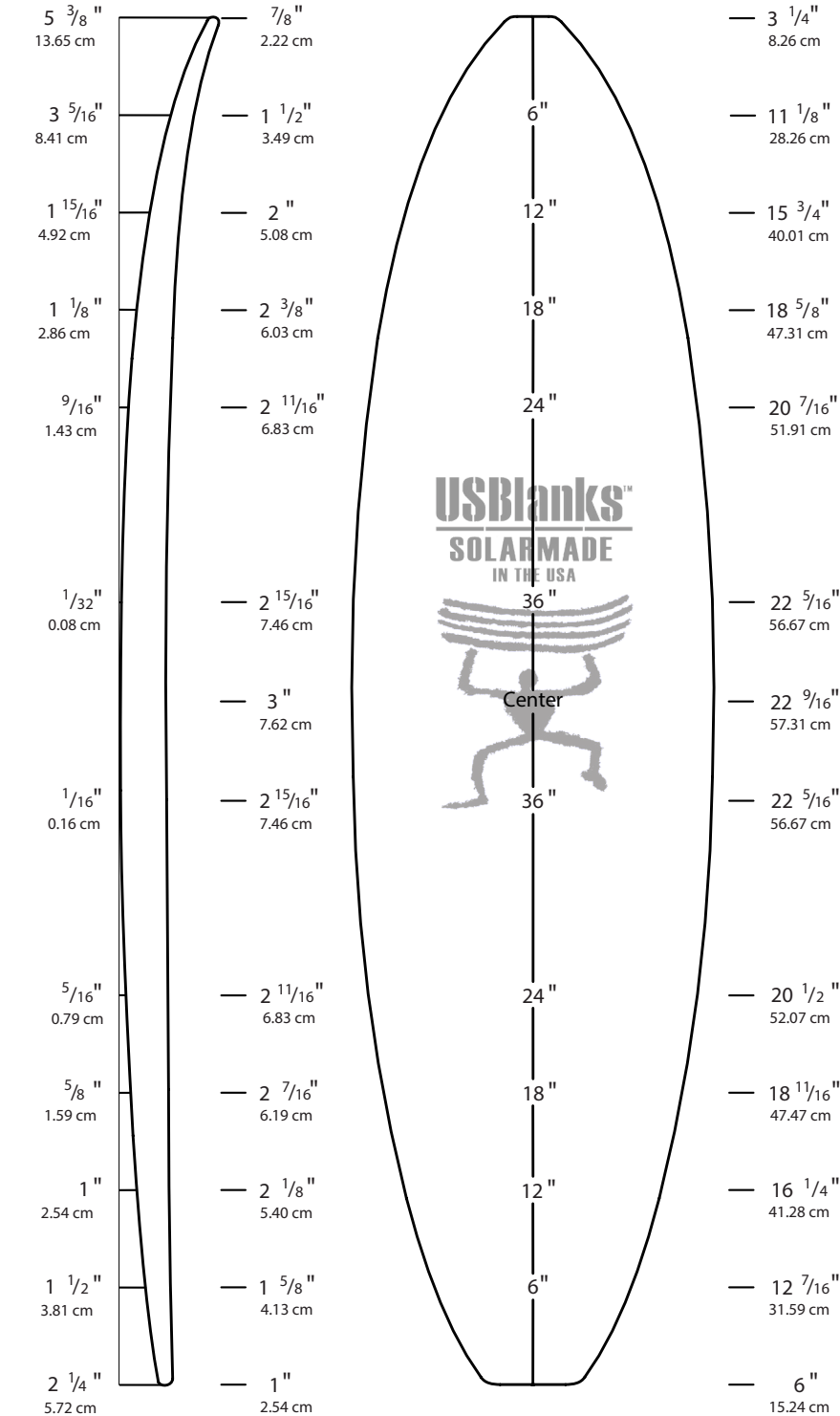
ERIC ARAWKAWA

Introduced: July 2006

ROCKER

THICKNESS

WIDTH



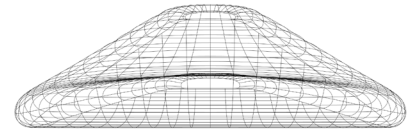
Overall Bottom Length: 7'0 1/2" (214.63 cm)

Tip-to-Tip Deck Length: 6'11 3/4" (212.73 cm)

Max Width: 22 9/16" (57.31 cm)

Max Thickness: 3" (7.62 cm)

Displacement: 1.93 ft³ (54.6 L)



"The slightly wider outline allows for board designs ranging from bigger guy Shortboards to Funshapes. The Natural Rocker is good for Vee in the tail and contoured bottom designs. The Hawaii Rocker can be used for hi-performance styles."

PAT RAWSON



SOLARMADE
IN THE USA
USBLANKS.COM

GUN

7'2"EA

Designed by

ERIC ARAKAWA

Introduced: April 2007

Overall Bottom Length: 7'2 1/2" (219.71 cm)

Tip-to-Tip Deck Length: 7'1 7/8" (218.12 cm)

Max Width: 21 5/8" (54.93 cm)

Max Thickness: 2 15/16" (7.46 cm)

Displacement: 1.89 ft³ (53.4 L)

ROCKER

THICKNESS

WIDTH

6 1/16"
15.40 cm

3 7/8"
9.84 cm

2 5/16"
5.87 cm

1 1/4"
3.18 cm

5/8"
1.59 cm

1/16"
0.16 cm

1/16"
0.16 cm

1/2"
1.27 cm

13/16"
2.06 cm

1 5/16"
3.33 cm

1 15/16"
4.92 cm

2 9/16"
6.51 cm

15/16"
2.38 cm

1 5/16"
3.33 cm

1 13/16"
4.60 cm

2 1/4"
5.72 cm

2 9/16"
6.51 cm

2 7/8"
7.30 cm

2 15/16"
7.46 cm

2 7/8"
7.30 cm

2 5/8"
6.67 cm

2 3/8"
6.03 cm

2 1/16"
5.24 cm

1 11/16"
4.29 cm

1 3/8"
3.49 cm

6"

12"

18"

24"

30"

36"

Center

36"

30"

24"

18"

12"

6"

3 1/2"
8.89 cm

9 1/4"
23.50 cm

13 1/4"
33.66 cm

16 1/4"
41.28 cm

18 9/16"
47.15 cm

21 3/16"
53.82 cm

21 5/8"
54.93 cm

21 7/16"
54.45 cm

19 3/8"
49.21 cm

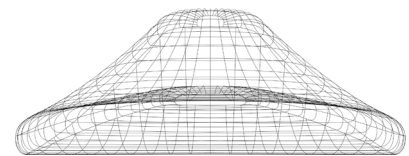
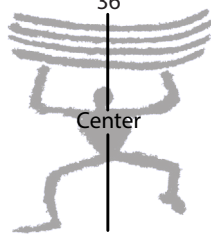
17 9/16"
44.61 cm

15 1/4"
38.74 cm

11 15/16"
30.32 cm

6 1/4"
15.88 cm

USBlanks™
SOLARMADE
IN THE USA



"This blank is a versatile high-performance semi-gun which was designed in series with the 7'8"EA. The rocker and foil will accommodate a wide variety of bottom contours."

ERIC ARAKAWA



SOLARMADE
IN THE USA
USBLANKS.COM

FISH/EGG

7'3"A

Designed by

PAT RAWSON

Introduced: July 2006

Overall Bottom Length: 7'2 7/8" (220.66 cm)

Tip-to-Tip Deck Length: 7'2 3/8" (219.39 cm)

Max Width: 24" (60.96 cm)

Max Thickness: 3 5/8" (9.21 cm)

Displacement: 2.74 ft³ (77.7 L)

ROCKER

THICKNESS

WIDTH

5 5/16"
13.49 cm

1 3/8"
3.49 cm

3 1/2"
8.89 cm

1 7/8"
4.76 cm

2 1/4"
5.72 cm

2 7/16"
6.19 cm

1 3/8"
3.49 cm

2 7/8"
7.30 cm

3/4"
1.91 cm

3 3/16"
8.10 cm

1/8"
0.32 cm

3 9/16"
9.05 cm

3 9/16"
9.05 cm

3/32"
0.24 cm

3 7/16"
8.73 cm

1/2"
1.27 cm

3"
7.62 cm

13/16"
2.06 cm

2 1/16"
6.83 cm

1 3/16"
3.02 cm

2 5/16"
5.87 cm

1 5/8"
4.13 cm

1 15/16"
4.92 cm

2 1/16"
5.24 cm

1 1/2"
3.81 cm

7 3/8"
18.73 cm

14 1/2"
36.83 cm

18 1/2"
46.99 cm

21"
53.34 cm

22 1/2"
57.15 cm

24"
60.96 cm

24"
60.96 cm

23 1/2"
59.69 cm

21 3/8"
54.29 cm

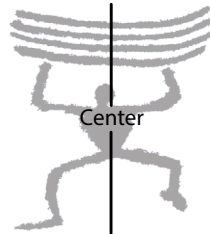
19 13/16"
50.32 cm

17 3/4"
45.09 cm

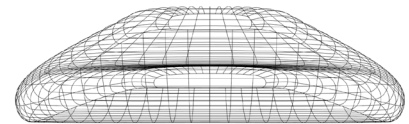
15 1/16"
38.52 cm

11"
27.94 cm

USBlanks™
SOLARMADE
IN THE USA



Center



"This is my enlarged version of the 6'10"A Fish blank. I designed this one to be able to easily net 7'1" by the bottom measurement. Should net 6'9" to 7'1" length for contemporary, retro Fish, or Single-Fin designs."

PAT RAWSON



SOLARMADE
IN THE USA
USBLANKS.COM

FISH/EGG

7'4"SP

Designed by

**CHARLIE SMITH &
TOM PARRISH**

Introduced: June 2014

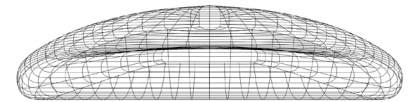
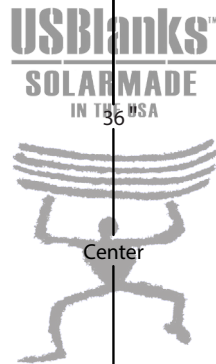
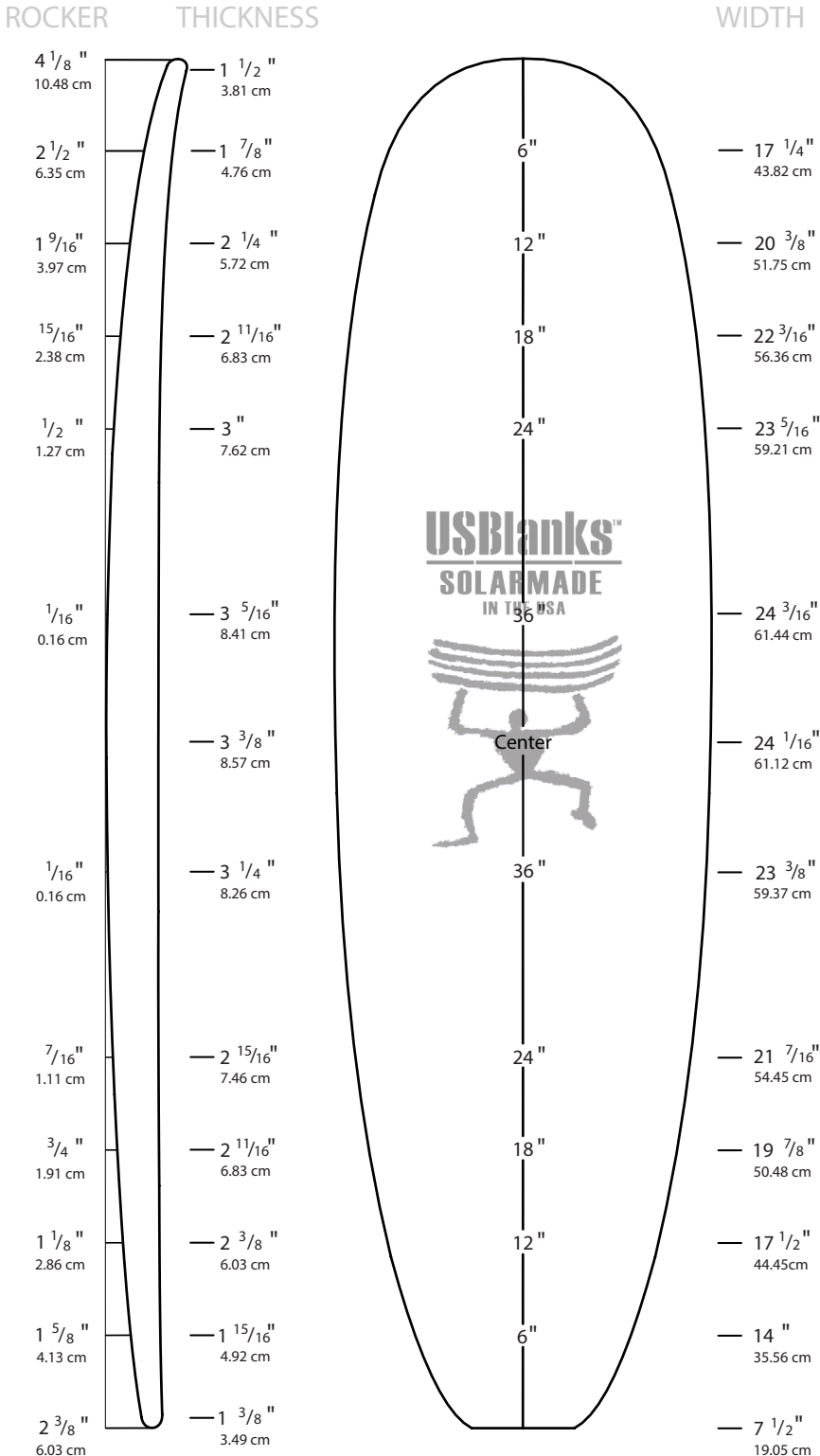
Overall Bottom Length: 7'5 11/16" (227.81 cm)

Tip-to-Tip Deck Length: 7'4 3/4" (225.43 cm)

Max Width: 24 3/16" (61.44 cm)

Max Thickness: 3 3/8" (8.57 cm)

Displacement: 2.723 ft³ (77.1 L)



“The 7'4"SP & the 7'10"SP were built together on Maui and are similar to the 8'4"SP, offering a more complete size progression for mini Longboards. The outlines of both were widened relative to the 8'4"SP to make them usable for a broader range of designs. Natural Rocker is fairly neutral in both the nose and tail, with enough thickness to shape them up or down, according to the shaper's preference. Ideal for boards in the 6'10" to 7'4" range.”

TOM PARRISH



SOLARMADE
IN THE USA
USBLANKS.COM

FUNBOARD

7'5" A

Designed by

PAT RAWSON

Introduced: July 2006

Overall Bottom Length: 7'4 1/2" (224.79 cm)

Tip-to-Tip Deck Length: 7'3 7/16" (222.09 cm)

Max Width: 21 7/8" (55.56 cm)

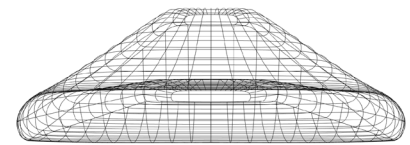
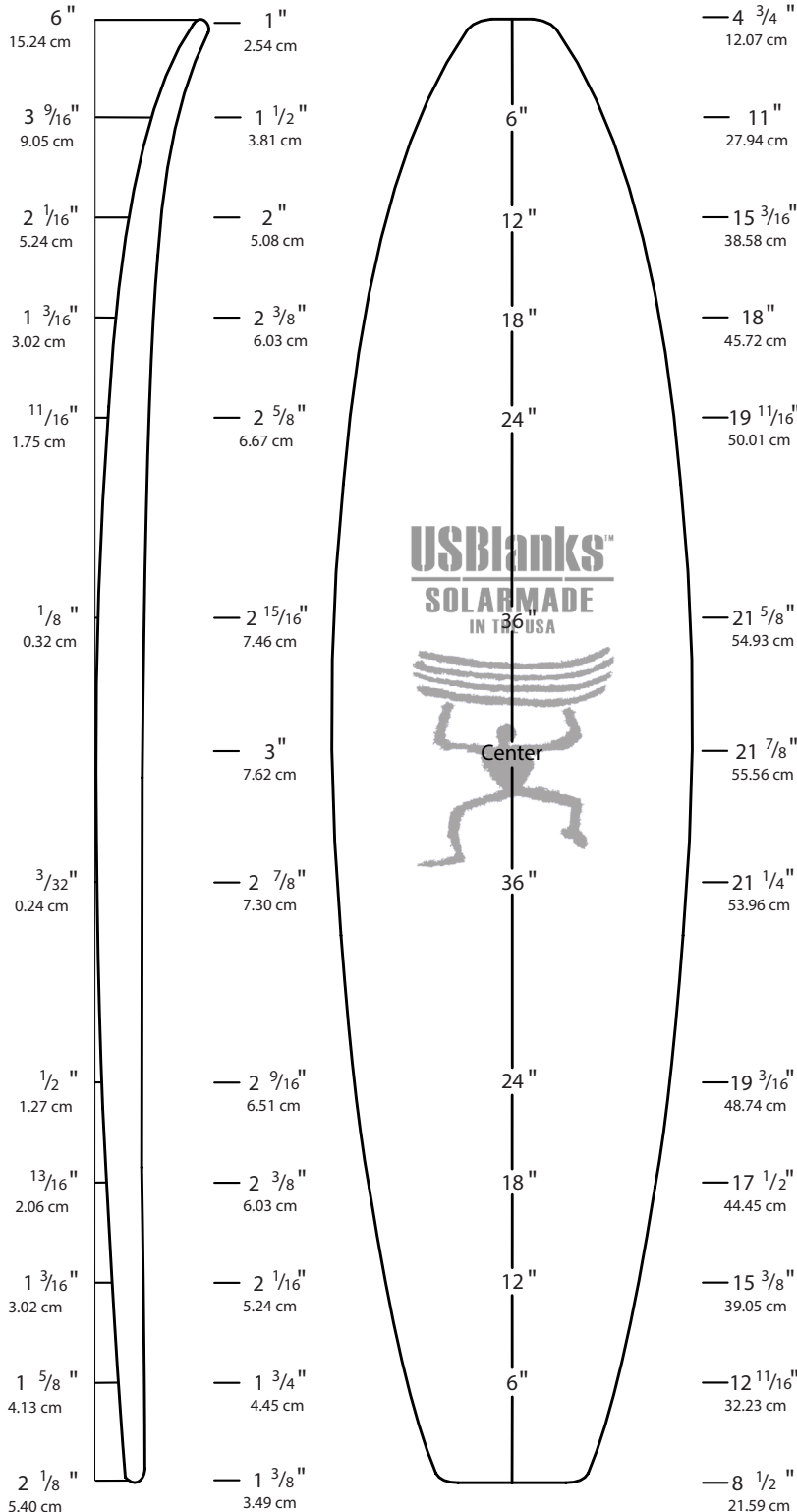
Max Thickness: 3" (7.62 cm)

Displacement: 2.13 ft³ (60.2 L)

ROCKER

THICKNESS

WIDTH



"Will net 7'3" bottom length. The Natural Rocker is good for Vee in the tail and contoured bottom designs. The Hawaii Rocker can be used for hi-performance styles. I personally like the 7'2"EA bottom extended curve glued up with this one for a flatter deck design."

PAT RAWSON



SOLARMADE
IN THE USA
USBLANKS.COM

FUNBOARD

7'6"EA

Designed by

ERIC ARAKAWA

Introduced: July 2006

Overall Bottom Length: 7'6" (228.60 cm)

Tip-to-Tip Deck Length: 7'5 3/8" (227.01 cm)

Max Width: 23" (58.42 cm)

Max Thickness: 3 3/16" (8.10 cm)

Displacement: 2.28 ft³ (64.6 L)

ROCKER

THICKNESS

WIDTH

5 3/8"
13.65 cm

3 7/16"
8.73 cm

2 1/16"
5.24 cm

1 1/4"
3.18 cm

1 1/16"
1.75 cm

1/8"
.32 cm

1/8"
.32 cm

1/2"
1.27 cm

7/8"
2.22 cm

1 1/4"
3.18 cm

1 3/4"
4.45 cm

2 5/16"
5.87 cm

— 1 1/16"
2.70 cm

— 1 1/2"
3.81 cm

— 2 1/16"
5.24 cm

— 2 1/2"
6.35 cm

— 2 3/4"
6.99 cm

— 3 1/8"
7.94 cm

— 3 3/16"
8.10 cm

— 3 1/16"
7.78 cm

— 2 11/16"
6.83 cm

— 2 7/16"
6.19 cm

— 2 1/8"
5.40 cm

— 1 3/4"
4.45 cm

— 1 3/8"
3.49 cm

6"

12"

18"

24"

30"

36"

42"

48"

54"

60"

66"

72"

78"

84"

90"

— 2 7/8"
7.30 cm

— 10 15/16"
27.78 cm

— 15 5/8"
39.69 cm

— 18 11/16"
47.47 cm

— 20 5/8"
52.39 cm

— 22 5/8"
57.47 cm

— 22 15/16"
58.26 cm

— 22 7/16"
56.99 cm

— 20 3/8"
51.75 cm

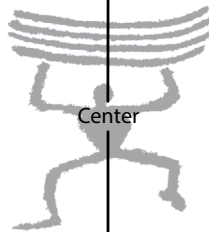
— 18 1/2"
46.99 cm

— 16 1/8"
40.96 cm

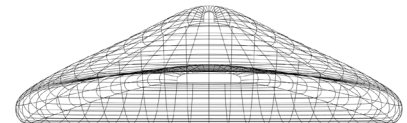
— 12 5/8"
32.07 cm

— 6 5/8"
16.83 cm

USBlanks™
SOLARMADE
IN THE USA



Center



"This is primarily designed for making Funboards. It comes with a moderate but continuous even rocker and foil to make "positioning" the blank for the shape process easy. The deck contour tapers to keep the foam harder on the rail on the finished shape. It's a longer version of the 7'1"EA."

ERIC ARAKAWA



SOLARMADE
IN THE USA
USBLANKS.COM

FUNBOARD

7'7" A

Designed by

PAT RAWSON

Introduced: July 2006

Overall Bottom Length: 7'6 5/8" (230.19 cm)

Tip-to-Tip Deck Length: 7'6" (228.60 cm)

Max Width: 22 7/8" (58.10 cm)

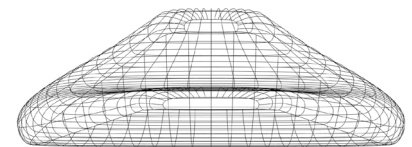
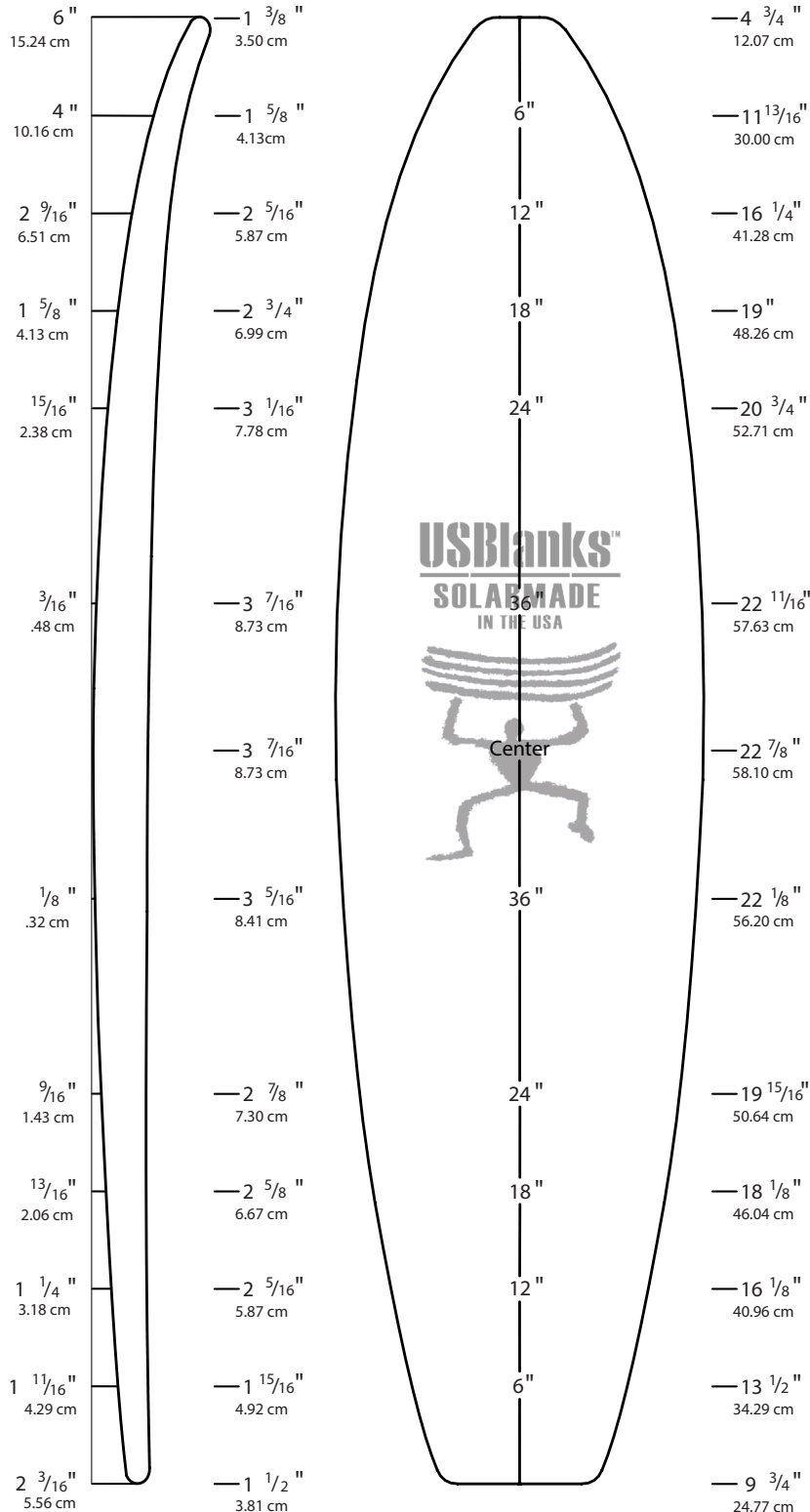
Max Thickness: 3 7/16" (8.73 cm)

Displacement: 2.63 ft³ (74.6 L)

ROCKER

THICKNESS

WIDTH



"The thicker 7'7" A blank easily nets a 7'5" bottom length. The Natural Rocker is good for Vee in the tail and contoured bottom designs. The Hawaii Rocker can be used for hi-performance styles. I personally like the 7'8" EA bottom curve (Hawaii Rocker) glued up with this one for a flatter deck design for a bigger rider."

PAT RAWSON



SOLARMADE
IN THE USA
USBLANKS.COM

GUN

7'8"EA

Designed by

ERIC ARAKAWA

Introduced: June 2007

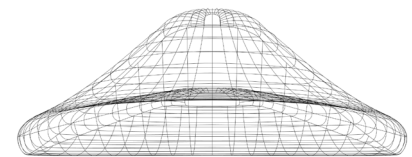
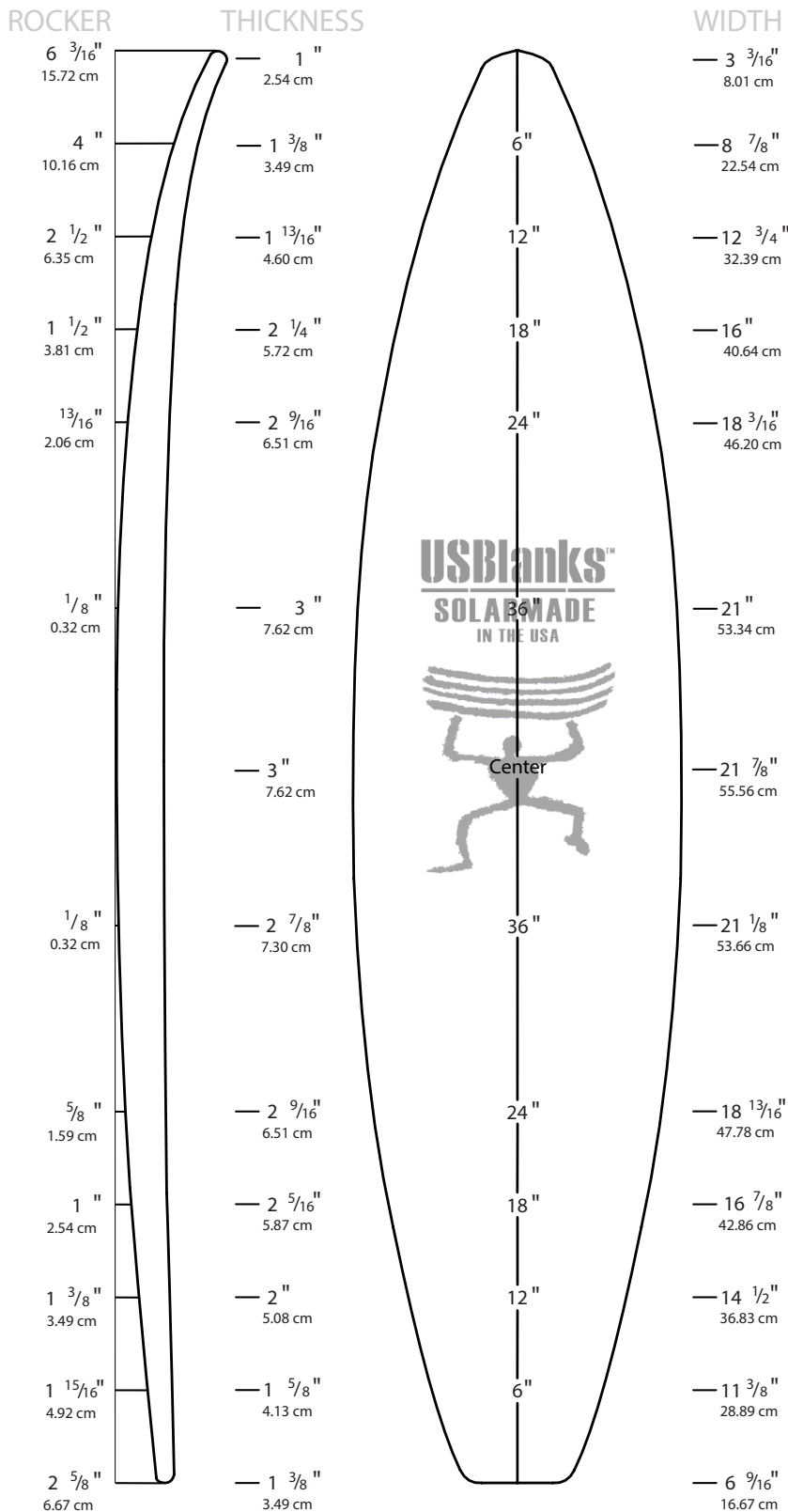
Overall Bottom Length: 7'9" (236.22 cm)

Tip-to-Tip Deck Length: 7'8 3/16" (234.16 cm)

Max Width: 21 7/8" (55.56 cm)

Max Thickness: 3" (7.62 cm)

Displacement: 2.03 ft³ (57.5 L)



"Designed in series with the 7'2"EA to yield Guns in the 7'0" to 7'7" range. This blank is a versatile high-performance semi-Gun. The rocker and foil will accommodate a wide variety of bottom contours."

ERIC ARAKAWA



SOLARMADE
IN THE USA
USBLANKS.COM

FISH/EGG

7'9"H

Designed by

ROGER HINDS

Introduced: July 2006

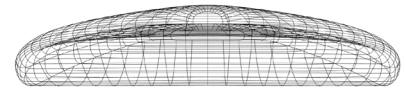
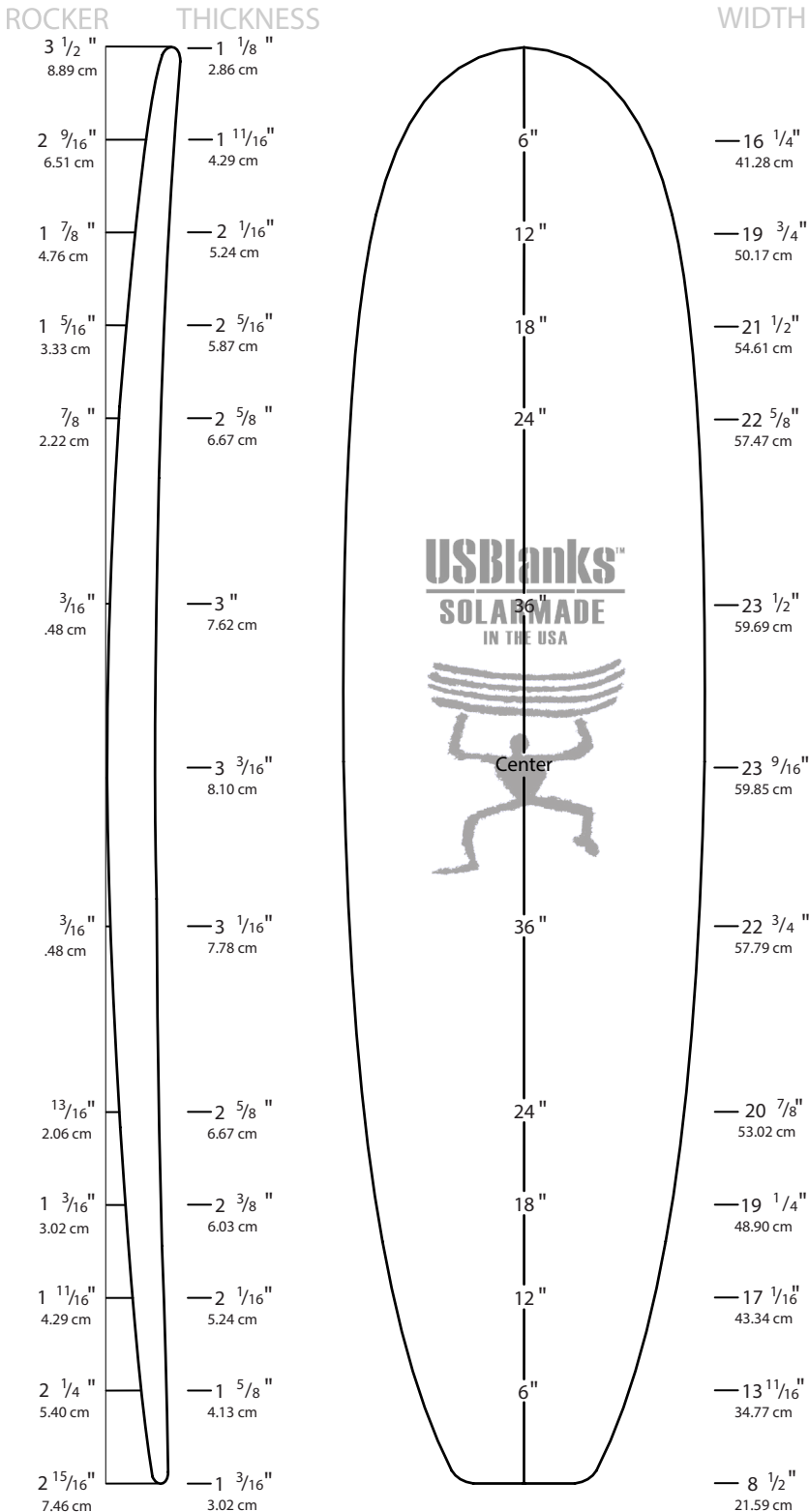
Overall Bottom Length: 7'8 5/8" (235.27 cm)

Tip-to-Tip Deck Length: 7'8 3/8" (234.63 cm)

Max Width: 23 9/16" (59.85 cm)

Max Thickness: 3 3/16" (8.10 cm)

Displacement: 2.51 ft³ (71.2 L)



"Designed for retro Funshapes. Based on feedback from the 7'11"H and 8'4"H, improvements were made in the thickness and foil. Should accommodate many rockers and ideally be hand-shaped."

ROGER HINDS



SOLARMADE
IN THE USA
USBLANKS.COM

FISH/EGG

7'9" HX

Designed by

ROGER HINDS

Introduced: July 2006

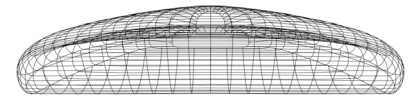
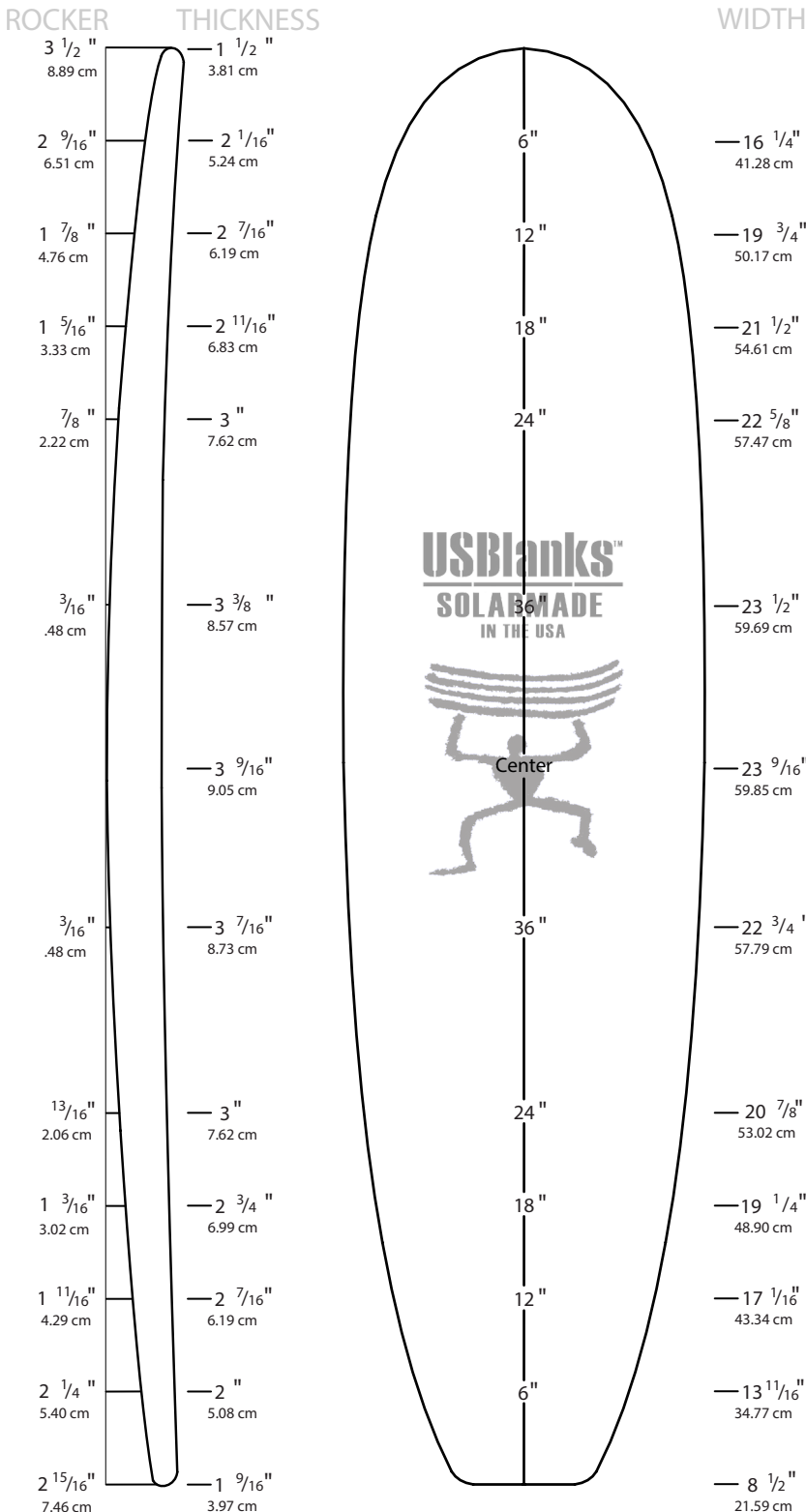
Overall Bottom Length: 7'8 5/8" (235.27 cm)

Tip-to-Tip Deck Length: 7'8 3/8" (234.63 cm)

Max Width: 23 9/16" (59.85 cm)

Max Thickness: 3 9/16" (9.05 cm)
7'9"H with 3/8" added thickness overall

Displacement: 2.86 ft³ (81.0 L)



"This is a 3/8" thicker version of the 7'9"H. Designed for retro Funshapes. Based on feedback from 7'11"H and the 8'4"H, improvements were made in the thickness and foil. Should accommodate many rockers and ideally be hand-shaped."

ROGER HINDS



SOLARMADE
IN THE USA
USBLANKS.COM

FUNBOARD

7'10"SP

Designed by

**CHARLIE SMITH &
TOM PARRISH**

Introduced: May 2014

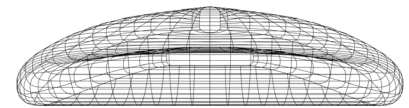
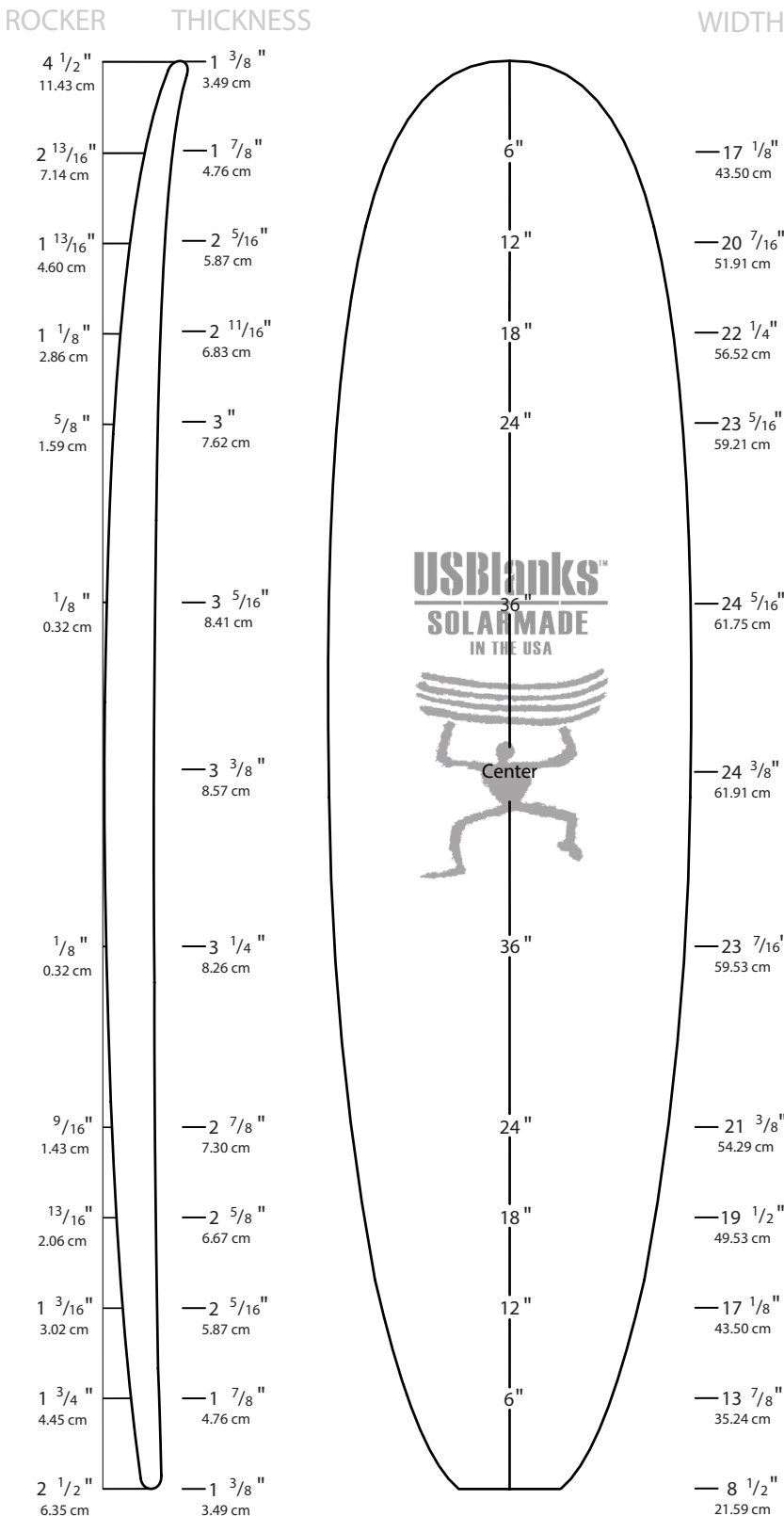
Overall Bottom Length: 7'11 1/4" (241.94 cm)

Tip-to-Tip Deck Length: 7'10 3/4" (240.67 cm)

Max Width: 24 3/8" (61.91 cm)

Max Thickness: 3 3/8" (8.57 cm)

Displacement: 2.892 ft³ (81.9 L)



"The 7'10"SP and the 7'4"SP were built together on Maui and are similar to the 8'4"SP, offering a more complete size progression for mini Longboards. The out-lines of both were widened relative to the 8'4"SP to make the usable for a broader range of designs. Natural Rocker is fairly neutral in both the nose and tail, with enough thickness to shape them up or down, according to the shaper's preference. Ideal for boards in the 7'4" to 7'10" range."

TOM PARRISH



SOLARMADE
IN THE USA
USBLANKS.COM

GUN

7'11" A

Designed by

PAT RAWSON

Introduced: September 2006

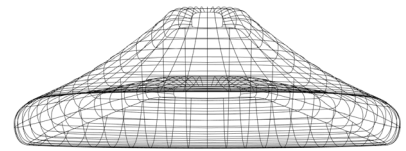
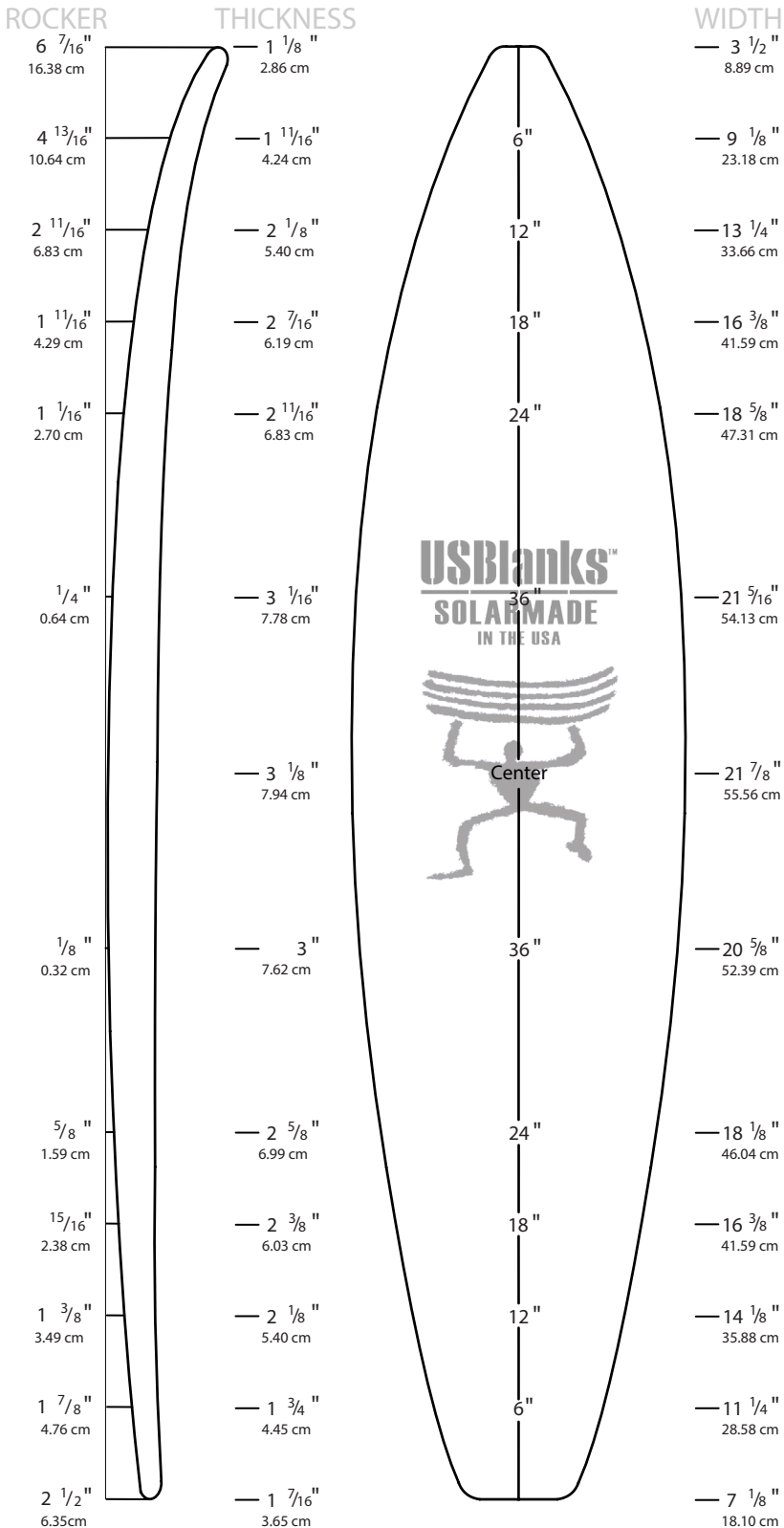
Overall Bottom Length: 7'11 1/2" (242.57 cm)

Tip-to-Tip Deck Length: 7'10 11/16" (240.51 cm)

Max Width: 21 7/8" (55.56 cm)

Max Thickness: 3 1/8" (7.94 cm)

Displacement: 2.32 ft³ (65.7 L)



"The mid-size Gun blank can net a 7'9" bottom length. The Natural Rocker is good for Vee in the tail and contoured bottom designs. The Hawaii Rocker can be used for hi-performance styles."

PAT RAWSON



SOLARMADE
IN THE USA
USBLANKS.COM

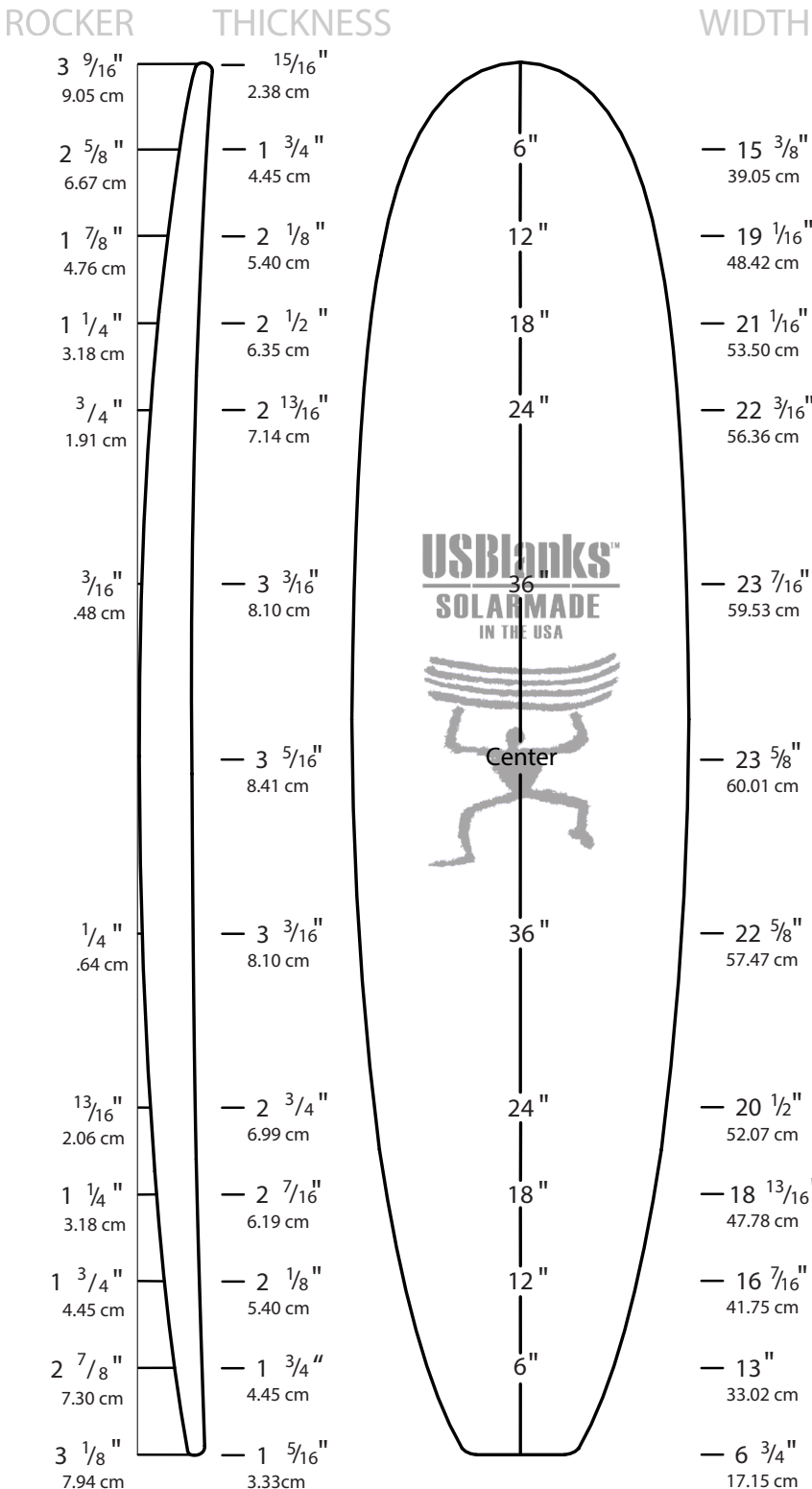
FISH/EGG

8'0"H

Designed by

ROGER HINDS

Introduced: July 2006



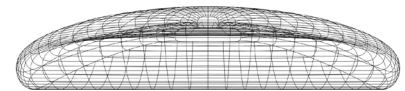
Overall Bottom Length: 8'0 1/8" (244.16 cm)

Tip-to-Tip Deck Length: 7'11 5/8" (242.89 cm)

Max Width: 23 5/8" (60.01 cm)

Max Thickness: 3 5/16" (8.41 cm)

Displacement: 2.77 ft³ (78.4 L)



"Designed for retro Funshapes. Based on feedback from 7'11"H and 8'4"H, improvements were made in the thickness and foil. Should accommodate many rockers and ideally be hand-shaped."

ROGER HINDS



SOLARMADE
IN THE USA
USBLANKS.COM

FUNBOARD

8'1"EA

Designed by

ERIC ARAKAWA

Introduced: July 2006

ROCKER

THICKNESS

WIDTH

6 $\frac{7}{16}$ "
16.35 cm

4 $\frac{3}{8}$ "
11.11 cm

2 $\frac{7}{8}$ "
7.30 cm

1 $\frac{13}{16}$ "
4.60 cm

1 $\frac{1}{16}$ "
2.70 cm

$\frac{1}{4}$ "
.64 cm

$\frac{3}{16}$ "
.48 cm

$\frac{5}{8}$ "
1.59 cm

$\frac{15}{16}$ "
2.38 cm

1 $\frac{3}{8}$ "
3.49 cm

2"
5.08 cm

2 $\frac{1}{16}$ "
6.83 cm

1"
2.54 cm

1 $\frac{7}{16}$ "
3.65 cm

1 $\frac{15}{16}$ "
4.92 cm

2 $\frac{7}{16}$ "
6.19 cm

2 $\frac{13}{16}$ "
7.14 cm

3 $\frac{5}{16}$ "
8.41 cm

3 $\frac{3}{8}$ "
8.57 cm

3 $\frac{3}{16}$ "
8.10 cm

2 $\frac{3}{4}$ "
6.99 cm

2 $\frac{7}{16}$ "
6.19 cm

2 $\frac{1}{8}$ "
5.40 cm

1 $\frac{11}{16}$ "
4.29 cm

1 $\frac{5}{16}$ "
3.33 cm

6"

12"

18"

24"

36"

36"

24"

18"

12"

6"

3 $\frac{3}{8}$ "
8.57 cm

12 $\frac{1}{8}$ "
30.80 cm

17 $\frac{1}{16}$ "
43.34 cm

19 $\frac{13}{16}$ "
50.32 cm

21 $\frac{9}{16}$ "
54.77 cm

23 $\frac{7}{16}$ "
59.53 cm

24 $\frac{1}{16}$ "
61.12 cm

23 $\frac{7}{16}$ "
59.53 cm

21 $\frac{1}{8}$ "
53.66 cm

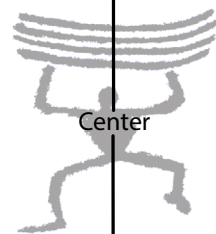
19 $\frac{1}{4}$ "
48.90 cm

16 $\frac{3}{4}$ "
42.55 cm

13 $\frac{3}{8}$ "
33.97 cm

7 $\frac{3}{4}$ "
19.69 cm

USBlanks™
SOLARMADE
IN THE USA



Center

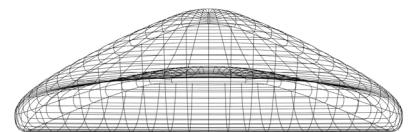
Overall Bottom Length: 8'0 5/8" (245.43 cm)

Tip-to-Tip Deck Length: 7'11 3/4" (243.21 cm)

Max Width: 24 1/16" (61.19 cm)

Max Thickness: 3 3/8" (8.57 cm)

Displacement: 2.66 ft³ (75.3 L)



"This is primarily designed for making Funboards. It comes with a moderate but continuous even rocker and foil to make positioning the blank for the shape process easy. It's a longer version of the 7'6"EA, but I added width forward to accommodate wider noses."

ERIC ARAKAWA



SOLARMADE
IN THE USA
USBLANKS.COM

FUNBOARD

8'2" A

Designed by

PAT RAWSON

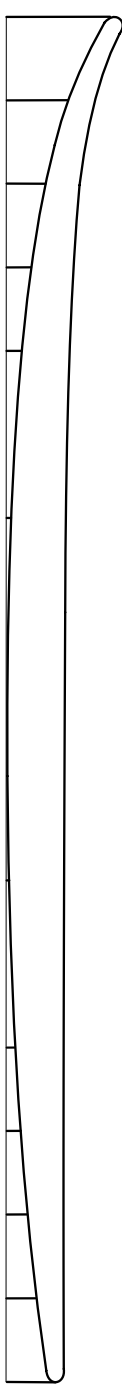
Introduced: July 2008

ROCKER

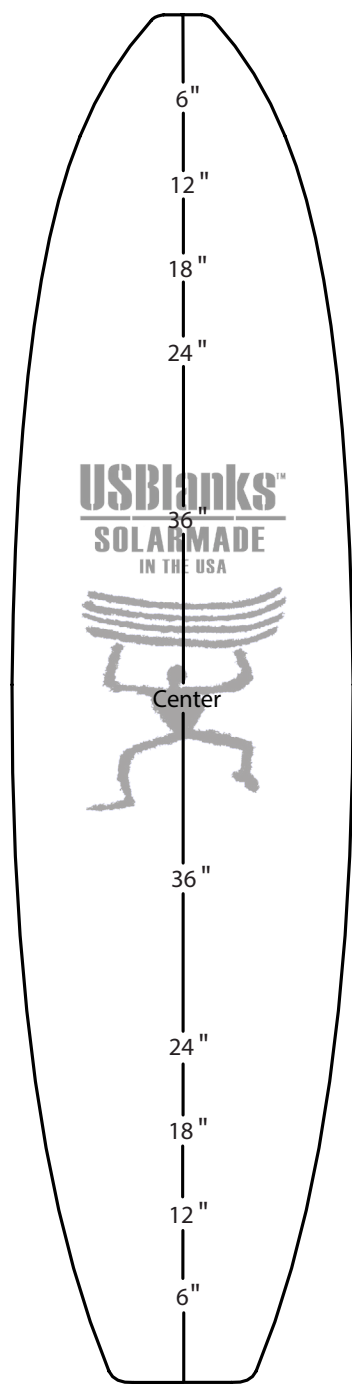
THICKNESS

WIDTH

6 5/8"	16.83 cm
4 3/8"	11.11 cm
2 11/16"	6.83 cm
1 11/16"	4.29 cm
1"	2.54 cm
1/4"	0.64 cm
3/16"	0.48 cm
11/16"	1.75 cm
1 1/16"	2.70 cm
1 1/2"	3.81 cm
2"	5.08 cm
2 9/16"	6.51 cm



1 5/16"	3.33 cm
1 13/16"	4.60 cm
2 7/16"	6.19 cm
3"	7.62 cm
3 3/8"	8.57 cm
3 15/16"	10.00 cm
4 1/16"	10.32 cm
3 7/8"	9.84 cm
3 3/8"	8.57 cm
3"	7.62 cm
2 5/8"	6.68 cm
2 1/8"	5.40 cm
1 3/4"	4.45 cm



4"	10.16 cm
12 1/2"	31.75 cm
17 3/8"	44.13 cm
20 1/4"	52.07 cm
22 7/16"	56.99 cm
24 7/16"	62.07 cm
25"	63.50 cm
24 1/16"	61.12 cm
21 7/8"	55.56 cm
20 1/8"	51.12 cm
17 11/16"	44.93 cm
14 5/16"	36.35 cm
9 1/2"	24.13 cm

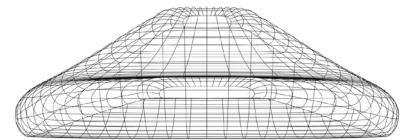
Overall Bottom Length: 8'2 1/2" (250.19 cm)

Tip-to-Tip Deck Length: 8'1 1/2" (247.65 cm)

Max Width: 25" (63.50 cm)

Max Thickness: 4 1/16" (10.32 cm)

Displacement: 3.59 ft³ (101.7 L)



"I designed the 8'2"A to be a serious 'big guy' blank for either high performance, retros, or fun Gun styles. It has a performance bottom curve and enough volume for 300lbs surfers. It should be able to yield 8'0" x 24" x 3 3/4" with ability to position the overall rocker and nose widths as needed. Cutting 2" length off the nose will enable a 18 1/2" nose width at 12" back, and facilitate well for big guy Fish designs. My special thanks to Ben Aipa who provided the inspiration on the overall design of the blank and the 9'3"A."

PAT RAWSON



SOLARMADE
IN THE USA
USBLANKS.COM

FUNBOARD

8'2" AX

Designed by

PAT RAWSON

Introduced: July 2008

ROCKER

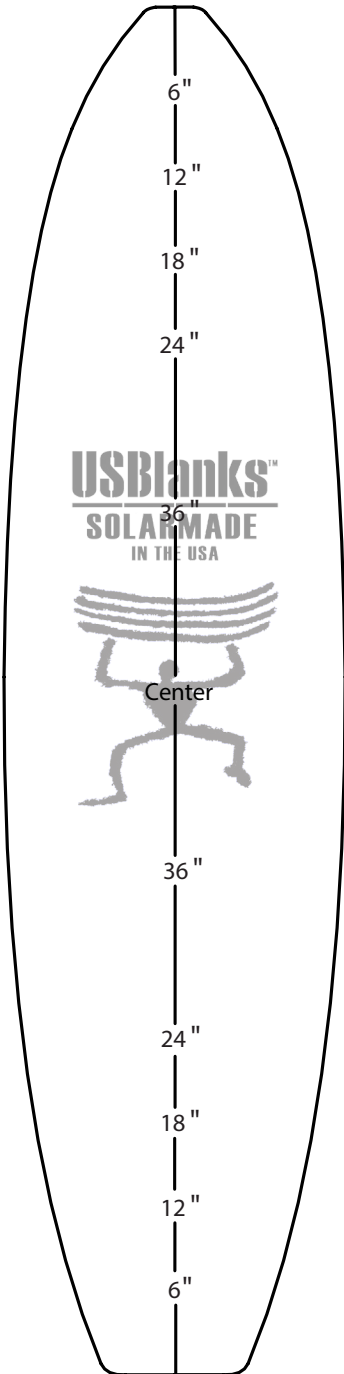
THICKNESS

WIDTH

6 5/8" 16.83 cm
 4 3/8" 11.11 cm
 2 11/16" 6.83 cm
 1 11/16" 4.29 cm
 1" 2.54 cm
 1/4" 0.64 cm
 3/16" 0.48 cm
 1 1/16" 1.75 cm
 1 1/16" 2.70 cm
 1 1/2" 3.81 cm
 2" 5.08 cm
 2 9/16" 6.51 cm

1 11/16" 4.29 cm
 2 3/16" 5.56 cm
 2 13/16" 7.14 cm
 3 3/8" 8.57 cm
 3 3/4" 9.53 cm
 4 5/16" 10.95 cm
 4 7/16" 11.27 cm
 4 1/4" 10.80 cm
 3 3/4" 9.53 cm
 3 3/8" 8.57 cm
 3" 7.62 cm
 2 1/2" 6.35 cm
 2 1/8" 5.40 cm

4" 10.16 cm
 12 1/2" 31.75 cm
 17 3/8" 44.13 cm
 20 1/4" 52.07 cm
 22 7/16" 56.99 cm
 24 7/16" 62.07 cm
 25" 63.50 cm
 24 1/16" 61.12 cm
 21 7/8" 55.56 cm
 20 1/8" 51.12 cm
 17 11/16" 44.93 cm
 14 5/16" 36.35 cm
 9 1/2" 24.13 cm



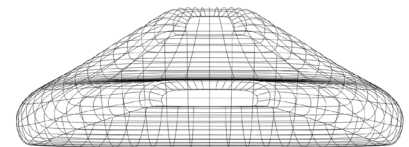
Overall Bottom Length: 8'2 1/2" (250.19 cm)

Tip-to-Tip Deck Length: 8'1 1/2" (247.65 cm)

Max Width: 25" (63.50 cm)

Max Thickness: 4 7/16" (11.27 cm)
 8'2"a with 3/8" added thickness overall

Displacement: 3.99 ft³ (113.1 L)



"Same as the 8'2"A but shimmed to produce 3'8" thicker. I designed the 8'2"A to be a serious 'big guy' blank for either high performance, retros, or fun Gun styles. It has a performance bottom curve and enough volume for 300lbs surfers. It should be able to yield 8'0" x 24" x 3 3/4" with ability to position the overall rocker and nose widths as needed. Cutting 2" length off the nose will enable a 18 1/2" nose width at 12" back, and facilitate well for big guy Fish designs. My special thanks to Ben Aipa who provided the inspiration on the overall design."

PAT RAWSON



SOLARMADE
 IN THE USA
 USBLANKS.COM

FUNBOARD

8'3"H

Designed by

ROGER HINDS

Introduced: July 2006

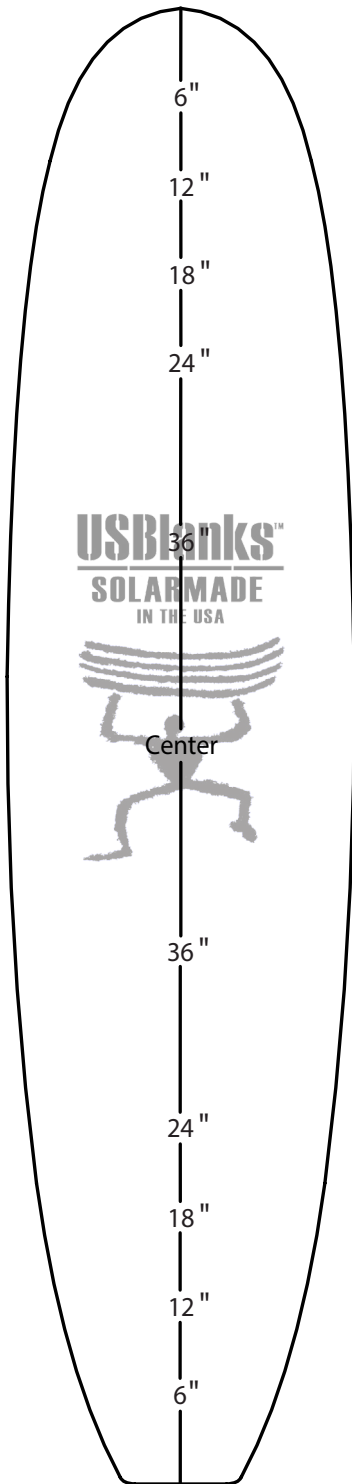
ROCKER

THICKNESS

WIDTH

4 1/8" 10.48 cm
 3" 7.62 cm
 2 1/8" 5.40 cm
 1 7/16" 3.65 cm
 15/16" 2.38 cm
 1/4" .64 cm
 7/32" .56 cm
 13/16" 2.06 cm
 1 1/4" 3.18 cm
 1 7/8" 4.76 cm
 2 1/2" 6.35 cm
 3 3/16" 8.10 cm

1 1/4" 3.18 cm
 1 5/8" 4.13 cm
 2 1/16" 5.24 cm
 2 7/16" 6.19 cm
 2 3/4" 6.99 cm
 3 3/16" 8.10 cm
 3 3/8" 8.57 cm
 3 3/16" 8.10 cm
 2 13/16" 7.14 cm
 2 7/16" 6.19 cm
 2 1/16" 5.24 cm
 1 11/16" 4.29 cm
 1 1/8" 2.86 cm



15 1/8" 38.42 cm
 18 3/4" 47.63 cm
 20 3/4" 52.71 cm
 22" 55.88 cm
 23 5/16" 59.21 cm
 23 5/8" 60.01 cm
 22 5/8" 57.47 cm
 20 1/2" 52.07 cm
 18 3/4" 47.63 cm
 16 5/16" 41.43 cm
 12 7/8" 32.70 cm
 7 5/8" 19.37 cm

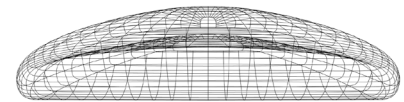
Overall Bottom Length: 8'3 1/8" (251.78 cm)

Tip-to-Tip Deck Length: 8'2 5/8" (250.51 cm)

Max Width: 23 5/8" (60.01 cm)

Max Thickness: 3 3/8" (8.57 cm)

Displacement: 2.74 ft³ (77.6 L)



"Designed for retro Funshapes. Based on feedback from 7'11" and 8'4"H, improvements were made in the thickness and foil. Should accommodate many rockers and ideally be hand-shaped."

ROGER HINDS



SOLARMADE
IN THE USA
USBLANKS.COM

FISH/EGG

8'4"SP

Designed by

**CHARLIE SMITH &
TOM PARRISH**

Introduced: May 2009

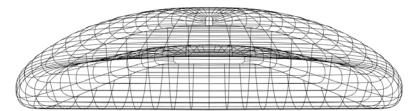
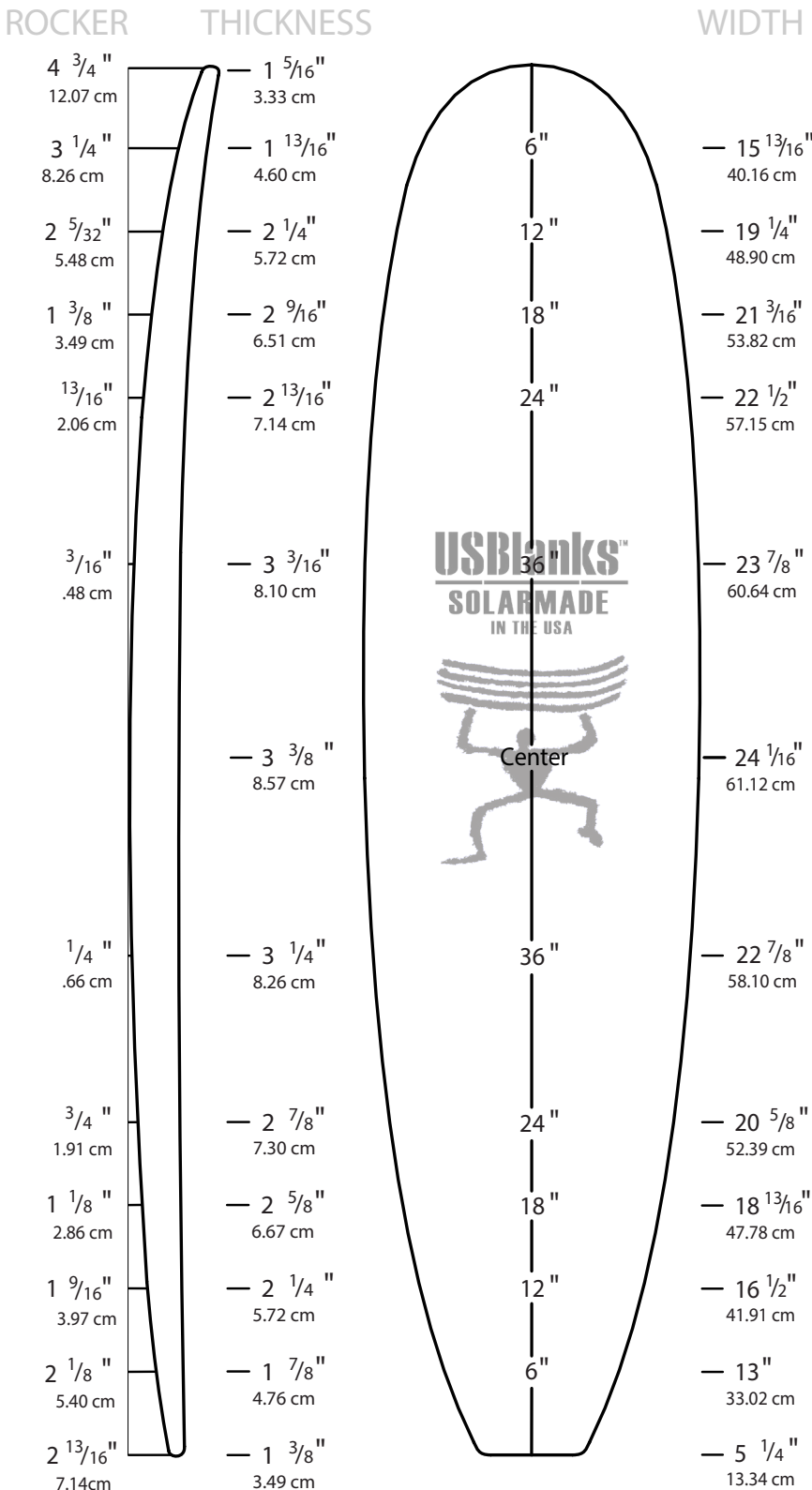
Overall Bottom Length: 8'4 7/16" (255.11 cm)

Tip-to-Tip Deck Length: 8'3 13/16" (253.52 cm)

Max Width: 24 3/16" (61.44 cm)

Max Thickness: 3 3/8" (8.57 cm)

Displacement: 2.97 ft³ (84.0 L)



"This blank reflects four decades of collaboration between Charlie Smith and Tom Parrish. The 8'4" SP allows for Funboard, mini-Longboard, and Noserider style templates. Natural Rocker is fairly neutral in both the nose and tail, with enough thickness to shape it up or down, according to the shaper's preference. Ideal for boards in the 7'10" to 8'4" range."

TOM PARRISH



SOLARMADE
IN THE USA
USBLANKS.COM

FISH/EGGS

8'4"SPX

Designed by

**CHARLIE SMITH &
TOM PARRISH**

Introduced: May 2009

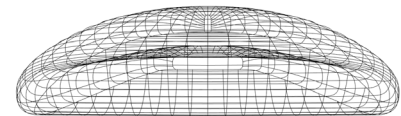
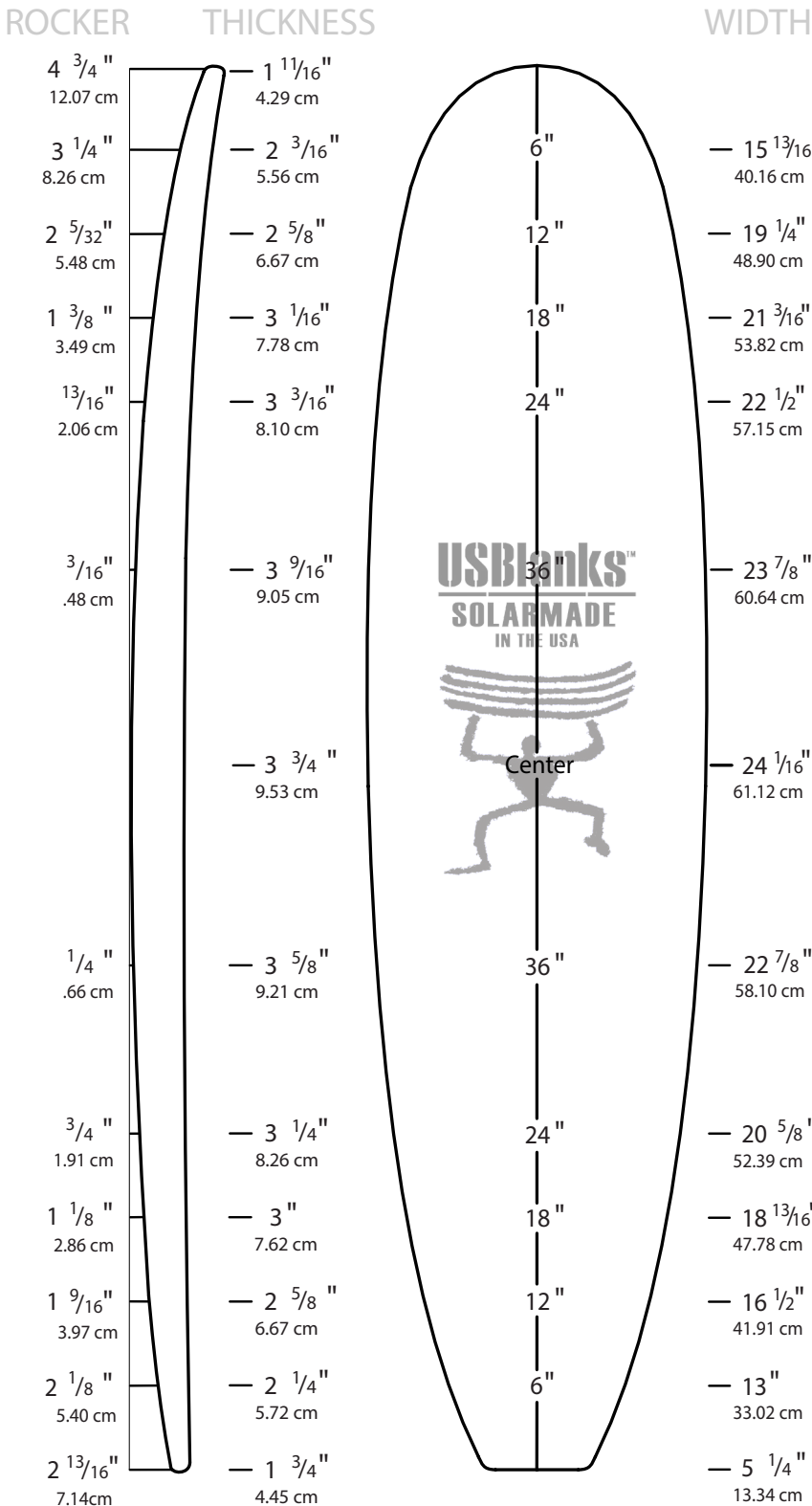
Overall Bottom Length: 8'4 7/16" (255.11 cm)

Tip-to-Tip Deck Length: 8'3 13/16" (253.52 cm)

Max Width: 24 3/16" (61.44 cm)

Max Thickness: 3 3/4" (9.53 cm)
8'4"SP with 3/8" added thickness overall

Displacement: 2.97 ft³ (84.0 L)



"This is the 3/8" thicker version of the 8'4"SP. This blank reflects four decades of collaboration between Charlie Smith and Tom Parrish. The 8'4" SP allows for Funboard, mini-Longboard, and Noserider style templates. Natural Rocker is fairly neutral in both the nose and tail, with enough thickness to shape it up or down, according to the shaper's preference. Ideal for boards in the 7'10" to 8'4" range."

TOM PARRISH



SOLARMADE
IN THE USA
USBANKS.COM

GUN

8'5" A

Designed by

PAT RAWSON

Introduced: September 2006

Overall Bottom Length: 8'6 3/8" (260.03 cm)

Tip-to-Tip Deck Length: 8'5 1/2" (257.81 cm)

Max Width: 22" (55.88 cm)

Max Thickness: 3 3/8" (8.57 cm)

Displacement: 2.70 ft³ (76.5 L)

ROCKER

THICKNESS

WIDTH

6 3/4"
17.15 cm

4 9/16"
11.59 cm

2 7/8"
7.30 cm

1 11/16"
4.29 cm

1"
2.54 cm

9/32"
0.71 cm

7/32"
0.56 cm

5/8"
1.59 cm

1"
2.54 cm

1 3/8"
3.49 cm

1 7/8"
4.76 cm

2 7/16"
6.19 cm

1 1/4"
3.18 cm

1 3/4"
4.45 cm

2 3/16"
5.56 cm

2 11/16"
6.83 cm

3"
7.62 cm

3 5/16"
8.41 cm

3 3/8"
8.57 cm

3 3/16"
8.10 cm

2 3/4"
6.99 cm

2 1/2"
6.35 cm

2 3/16"
5.56 cm

1 13/16"
4.60 cm

1 7/16"
3.65 cm

6"

12"

18"

24"

36"

36"

24"

18"

12"

6"

3 1/2"
8.89 cm

8 7/8"
22.54 cm

12 15/16"
32.86 cm

16"
40.64 cm

18 3/8"
46.67 cm

21 1/16"
53.50 cm

21 15/16"
55.72 cm

20 1/2"
52.07 cm

17 15/16"
45.56 cm

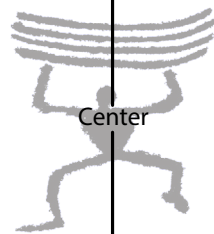
16 1/8"
40.96 cm

13 11/16"
34.77 cm

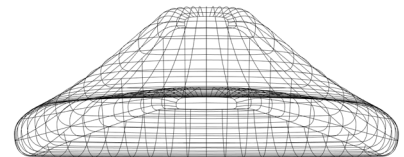
10 9/16"
26.83 cm

6 1/2"
16.51 cm

USBlanks™
SOLARMADE
IN THE USA



Center



“The 8'5" A blank easily nets an 8'4" bottom length. The Natural Rocker is good for Vee in the tail and contoured bottom designs. The Hawaii Rocker can be used for hi-performance styles.”

PAT RAWSON



SOLARMADE
IN THE USA
USBLANKS.COM

FUNBOARD

8'6"EA

Designed by

ERIC ARAKAWA

Introduced: September 2006

Overall Bottom Length: 8'6" (259.08 cm)

Tip-to-Tip Deck Length: 8'5 1/8" (257.81 cm)

Max Width: 24 1/16" (61.12 cm)

Max Thickness: 3 3/8" (8.57 cm)

Displacement: 2.72 ft³ (77.0 L)

ROCKER

THICKNESS

WIDTH

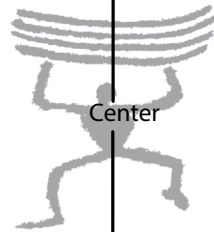
6 9/16" 16.67 cm
 4 7/16" 11.27 cm
 2 7/8" 7.30 cm
 1 7/8" 4.76 cm
 1 5/32" 2.94 cm
 5/16" 0.79 cm
 7/32" 0.56 cm
 1 1/16" 1.75 cm
 1" 2.54 cm
 1 7/16" 3.65 cm
 1 31/32" 5.00 cm
 2 5/8" 6.67 cm

1 1/16" 2.70 cm
 1 9/16" 3.97 cm
 2 1/16" 5.24 cm
 2 1/2" 6.35 cm
 2 7/8" 7.30 cm
 3 5/16" 8.41 cm
 3 3/8" 8.57 cm
 3 1/8" 7.94 cm
 2 3/4" 6.99 cm
 2 1/2" 6.35 cm
 2 3/16" 5.56 cm
 1 3/4" 4.45 cm
 1 1/4" 3.18 cm

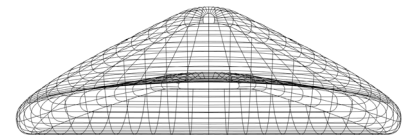
6"
 12"
 18"
 24"
 36"
 36"
 24"
 18"
 12"
 6"

2 1/2" 6.35 cm
 11 1/2" 29.25 cm
 16 1/2" 41.91 cm
 19 1/2" 49.53 cm
 21 3/8" 54.29 cm
 23 5/16" 59.21 cm
 24 1/16" 61.12 cm
 23" 58.42 cm
 20 1/2" 52.07 cm
 18 5/8" 47.31 cm
 16 3/16" 41.12 cm
 12 11/16" 32.23 cm
 7 1/8" 18.10 cm

USBlanks™
SOLARMADE
 IN THE USA



Center



"This blank is designed to yield big Funboards and big guy Guns."
 ERIC ARAKAWA



SOLARMADE
 IN THE USA
 USBLANKS.COM

LONGBOARDS

8'9"Y

Designed by

RENNY YATER

Introduced: April 2007

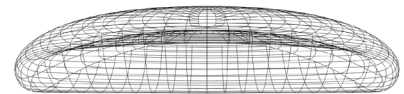
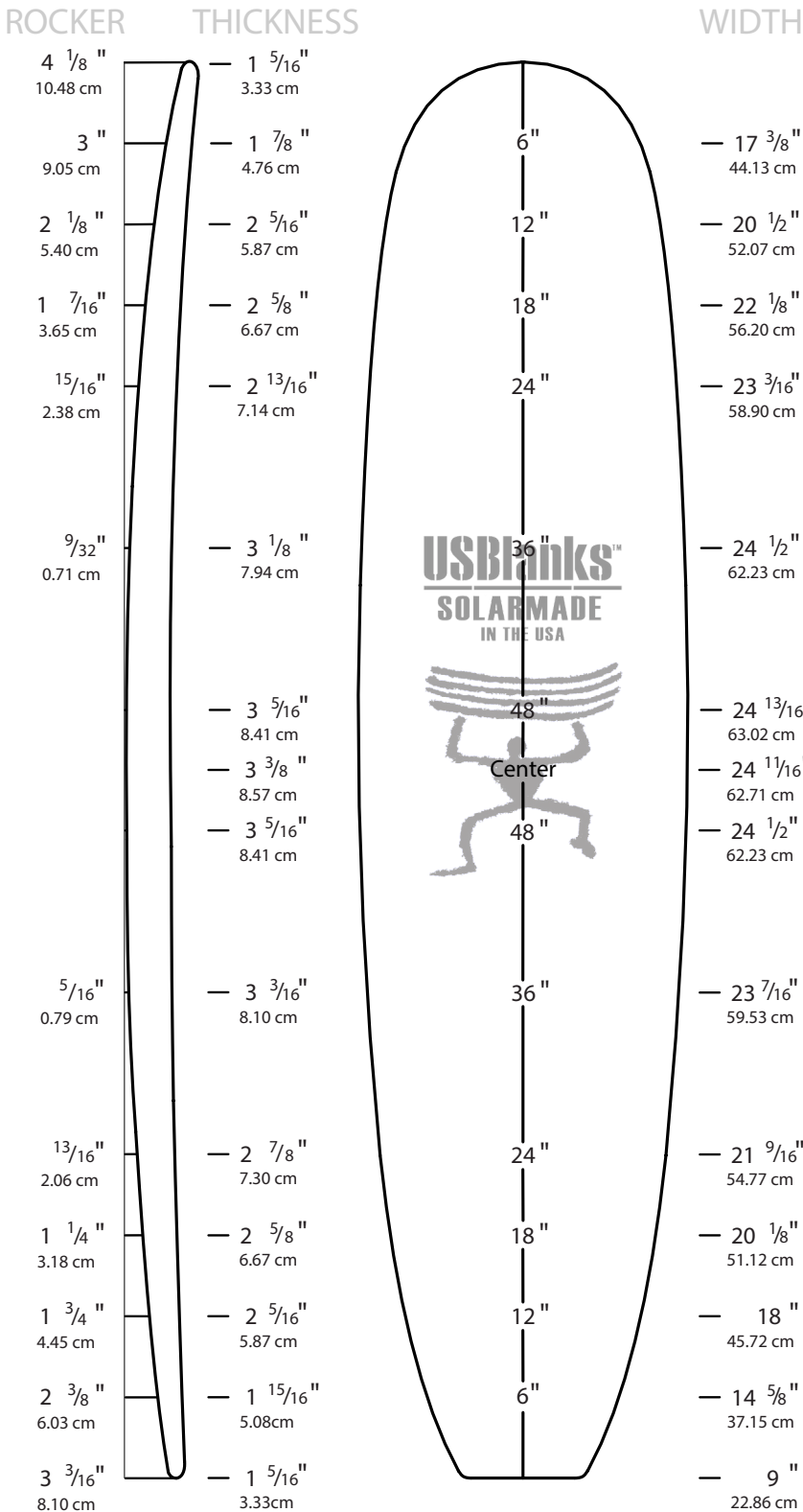
Overall Bottom Length: 8'9" (266.70 cm)

Tip-to-Tip Deck Length: 8'8 1/2" (265.43 cm)

Max Width: 24 13/16" (63.02 cm)

Max Thickness: 3 3/8" (8.57 cm)

Displacement: 3.25 ft³ (92.1 L)



"This was designed with the popular 9'3"Y as the reference and intended for 8'6" Longboards. As compared to the 9'3"Y it has proportionally less volume, it's 6" shorter, 1/4" narrower, 1/8" thinner and a little wider in the tail area."

RENNY YATER



SOLARMADE
IN THE USA
USBLANKS.COM

LONGBOARD

8'9"YX

Designed by

RENNY YATER

Introduced: April 2007

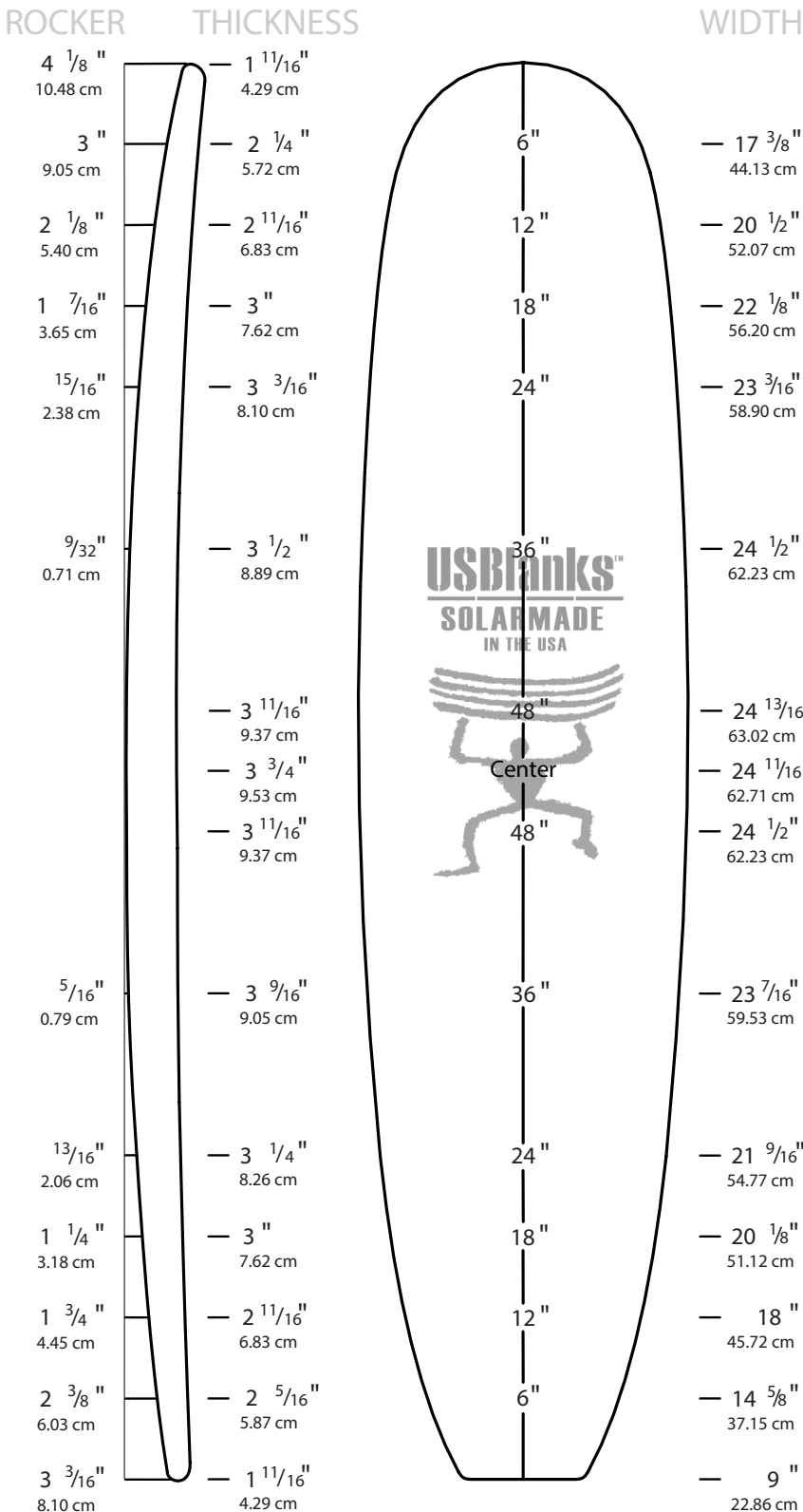
Overall Bottom Length: 8'9" (266.70 cm)

Tip-to-Tip Deck Length: 8'8 1/2" (265.43 cm)

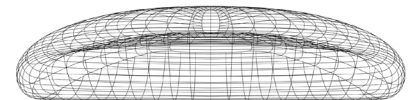
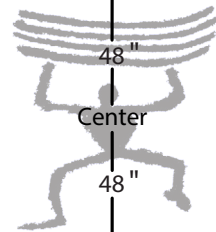
Max Width: 24 13/16" (63.02 cm)

Max Thickness: 3 3/4" (9.53 cm)
8'9"Y with 3/8" added thickness overall

Displacement: 3.73 ft³ (105.7 L)



USBlanks™
SOLARMADE
IN THE USA



"This is the 3/8" thicker version of the 8'9"Y, designed with the popular 9'3"Y as the reference and intended for 8'6" Longboards. As compared to the 9'3"Y it has proportionally less volume, it's 6" shorter, 1/4" narrower, and a little wider in the tail area."

RENNY YATER



SOLARMADE
IN THE USA
USBLANKS.COM

GUN

9'2" A

Designed by

PAT RAWSON

Introduced: September 2006

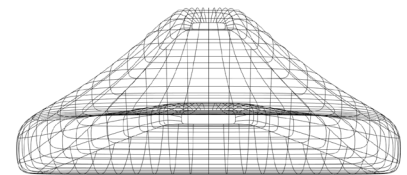
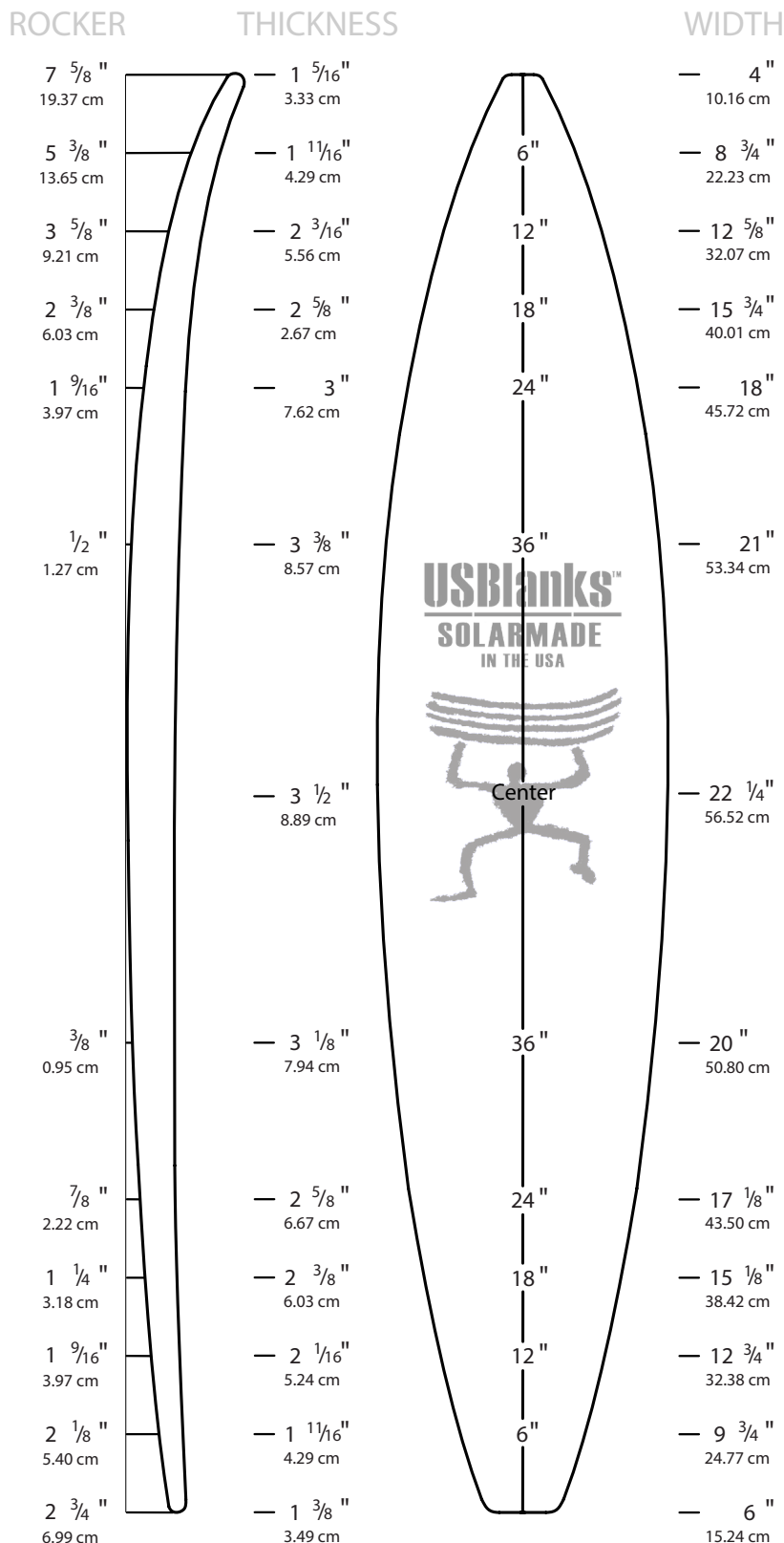
Overall Bottom Length: 9'3" (281.94 cm)

Tip-to-Tip Deck Length: 9'2" (279.40 cm)

Max Width: 22 1/4" (56.52 cm)

Max Thickness: 3 1/2" (8.89 cm)

Displacement: 3.12 ft³ (88.3 L)



"The 9'2" A blank easily nets a 9'2" bottom length. It's designed for classic big wave paddle-in Guns. The Natural Rocker is good for Vee in the tail and contoured bottom designs. The Hawaii Rocker can be used for hi-performance styles."

PAT RAWSON



SOLARMADE
IN THE USA
USBLANKS.COM

FUNBOARD

9'3"A

Designed by

PAT RAWSON

Introduced: July 2008

Overall Bottom Length: 9'3 9/16" (283.37 cm)

Tip-to-Tip Deck Length: 9'2 5/8" (280.99 cm)

Max Width: 25 1/2" (64.77 cm)

Max Thickness: 4 5/16" (10.95 cm)

Displacement: 4.30 ft³ (121.7 L)

ROCKER

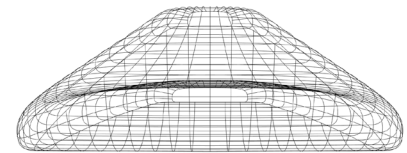
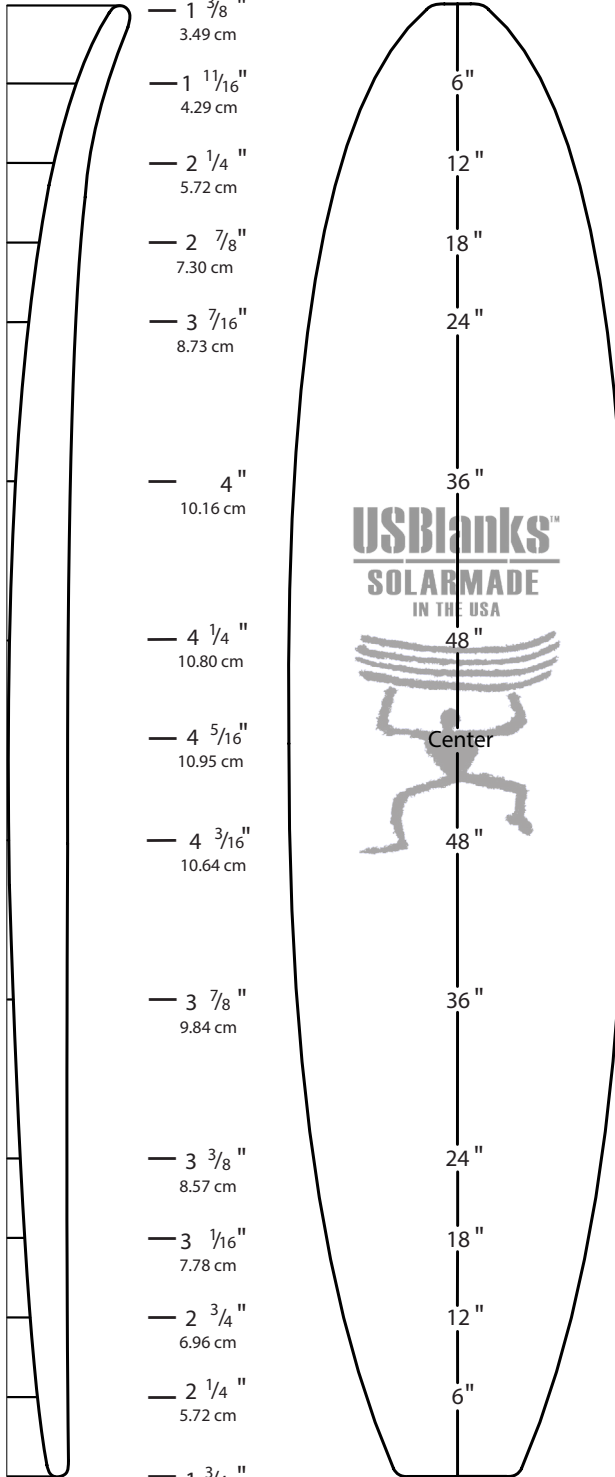
THICKNESS

WIDTH

- 7 1/16" / 19.56 cm
- 5 1/2" / 13.97 cm
- 3 3/4" / 9.53 cm
- 2 1/2" / 6.35 cm
- 1 9/16" / 3.97 cm
- 1/2" / 1.27 cm
- 1/16" / 0.16 cm
- 3/32" / 0.24 cm
- 7/16" / 1.11 cm
- 1" / 2.54 cm
- 1 3/8" / 3.49 cm
- 1 7/8" / 4.76 cm
- 2 7/16" / 6.19 cm
- 3 1/16" / 7.78 cm

- 1 3/8" / 3.49 cm
- 1 11/16" / 4.29 cm
- 2 1/4" / 5.72 cm
- 2 7/8" / 7.30 cm
- 3 7/16" / 8.73 cm
- 4" / 10.16 cm
- 4 1/4" / 10.80 cm
- 4 5/16" / 10.95 cm
- 4 3/16" / 10.64 cm
- 3 7/8" / 9.84 cm
- 3 3/8" / 8.57 cm
- 3 1/16" / 7.78 cm
- 2 3/4" / 6.96 cm
- 2 1/4" / 5.72 cm
- 1 3/4" / 4.45 cm

- 4" / 10.16 cm
- 12 5/16" / 31.27 cm
- 17 1/8" / 43.50 cm
- 20 1/4" / 51.44 cm
- 22 1/4" / 56.52 cm
- 24 1/2" / 62.23 cm
- 25 5/16" / 64.29 cm
- 25 1/2" / 64.77 cm
- 25 1/8" / 63.82 cm
- 23 7/8" / 60.64 cm
- 21 3/8" / 54.29 cm
- 19 7/16" / 49.37 cm
- 16 15/16" / 43.02 cm
- 13 5/8" / 34.61 cm
- 8 1/2" / 21.59 cm



"I designed the 9'3"A to be a very serious 'big guy' longer version of the 8'2"A, for either high-performance, retros or fun Guns. Designed with a performance bottom curve and enough volume for 375lbs surfers. It should be able to yield 9' x 24.5" x 4" with ability to position the overall rocker and nose widths as needed. Cutting 2" off the nose will enable an 18 3/4" nose width at 12" back, and accommodate 'big guy' Fish designs. Special thanks to Ben Aipa for inspiration on this and the 8'2"A."

PAT RAWSON



SOLARMADE
IN THE USA
USBLANKS.COM

FUNBOARD

9'3"AX

Designed by

PAT RAWSON

Introduced: July 2008

Overall Bottom Length: 9'3 9/16" (283.37 cm)

Tip-to-Tip Deck Length: 9'2 5/8" (280.99 cm)

Max Width: 25 1/2" (64.77 cm)

Max Thickness: 4 11/16" (11.91 cm)
9'3"A with 3/8" added thickness overall.

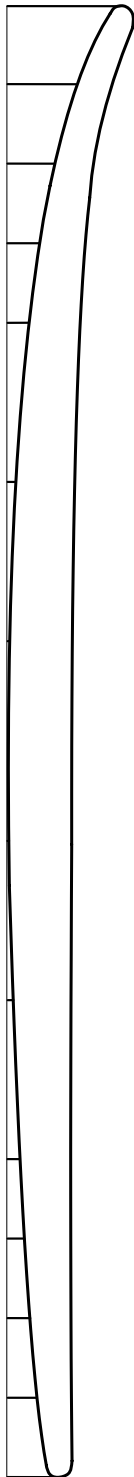
Displacement: 4.30 ft³ (121.7 L)

ROCKER

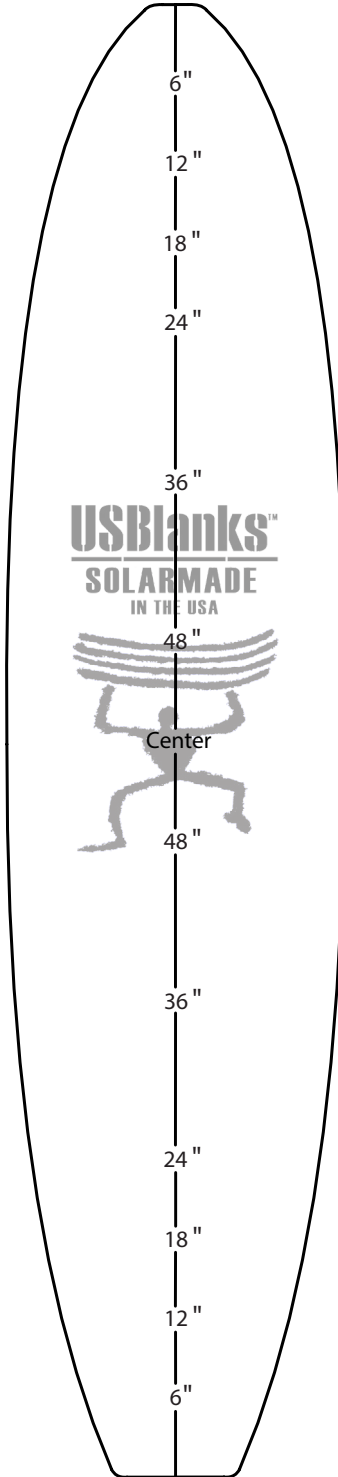
THICKNESS

WIDTH

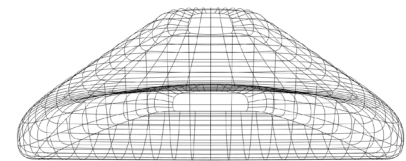
- 7 1/16" / 19.56 cm
- 5 1/2" / 13.97 cm
- 3 3/4" / 9.53 cm
- 2 1/2" / 6.35 cm
- 1 9/16" / 3.97 cm
- 1/2" / 1.27 cm
- 1/16" / 0.16 cm
- 3/32" / 0.24 cm
- 7/16" / 1.11 cm
- 1" / 2.54 cm
- 1 3/8" / 3.49 cm
- 1 7/8" / 4.76 cm
- 2 7/16" / 6.19 cm
- 3 1/16" / 7.78 cm



- 1 3/4" / 4.45 cm
- 2 1/16" / 5.24 cm
- 2 5/8" / 6.67 cm
- 3 1/4" / 8.26 cm
- 3 13/16" / 9.68 cm
- 4 3/8" / 11.11 cm
- 4 5/8" / 11.75 cm
- 4 11/16" / 11.91 cm
- 4 9/16" / 11.59 cm
- 4 1/4" / 10.80 cm
- 3 3/4" / 9.53 cm
- 3 7/16" / 8.73 cm
- 3 1/8" / 7.94 cm
- 2 5/8" / 6.67 cm
- 2 1/8" / 5.40 cm



- 4" / 10.16 cm
- 12 5/16" / 31.27 cm
- 17 1/8" / 43.50 cm
- 20 1/4" / 51.44 cm
- 22 1/4" / 56.52 cm
- 24 1/2" / 62.23 cm
- 25 5/16" / 64.29 cm
- 25 1/2" / 64.77 cm
- 25 1/8" / 63.82 cm
- 23 7/8" / 60.64 cm
- 21 3/8" / 54.29 cm
- 19 7/16" / 49.37 cm
- 16 15/16" / 43.02 cm
- 13 5/8" / 34.61 cm
- 8 1/2" / 21.59 cm



"This is the 3/8" thicker version of the 9'3"A, designed to be a very serious 'big guy' longer version of the 8'2"A, for either high-performance, retros or fun Guns. Designed with a performance bottom curve and enough volume for 375lbs surfers. It should be able to yield 9' x 24.5" x 4" with ability to position the overall rocker and nose widths as needed. Cutting 2" off the nose will enable an 18 3/4" nose width at 12" back, and accommodate 'big guy' Fish designs. Special thanks to Ben Aipa for inspiration on this and the 8'2"A."

PAT RAWSON



SOLARMADE
IN THE USA
USBLANKS.COM

LONGBOARD

9'3"Y

Designed by

RENNY YATER

Introduced: July 2006

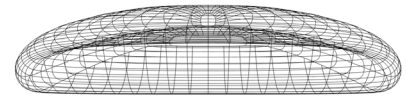
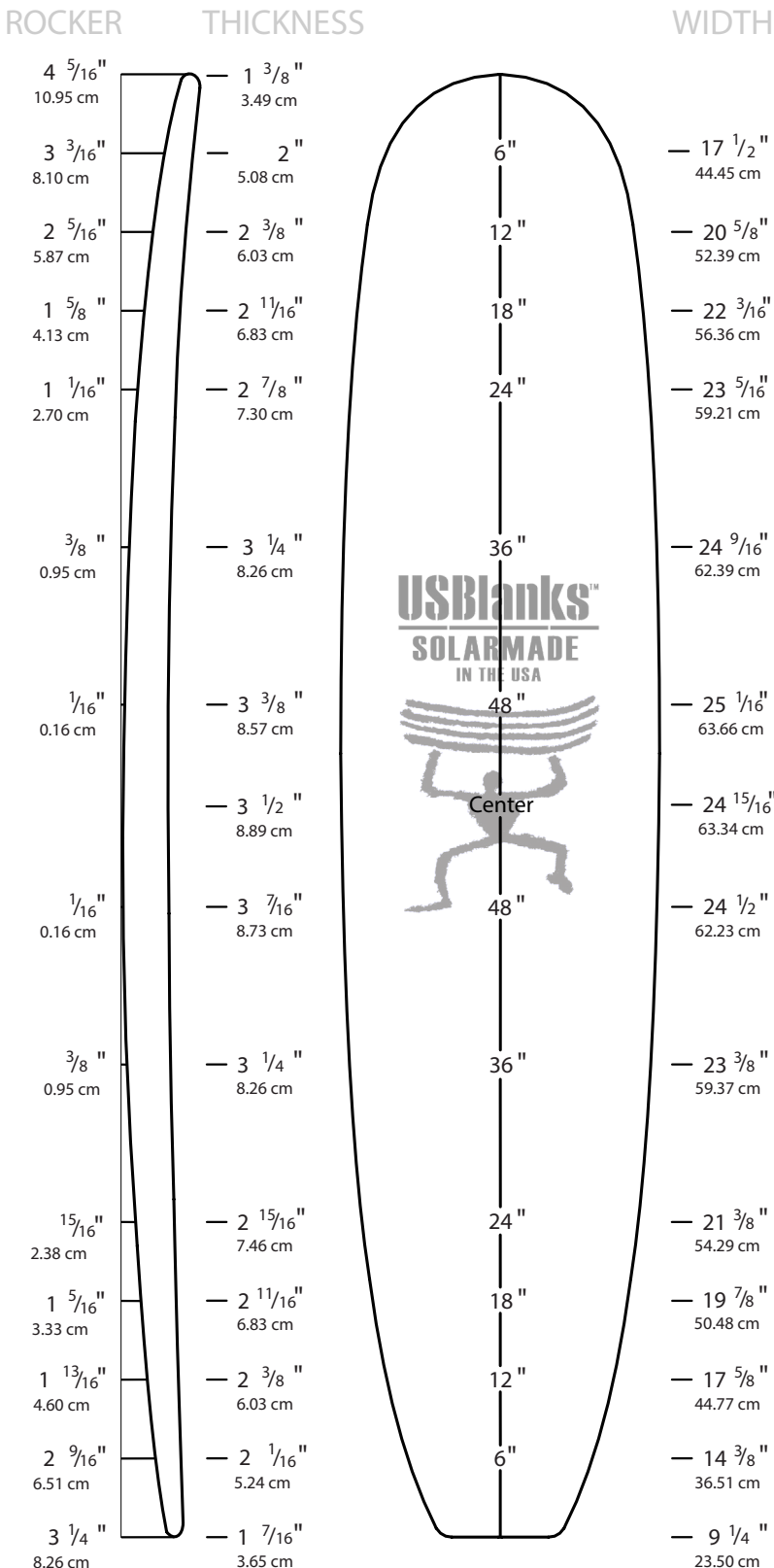
Overall Bottom Length: 9'3" (281.94 cm)

Tip-to-Tip Deck Length: 9'2 5/8" (280.99 cm)

Max Width: 25 1/16" (63.66 cm)

Max Thickness: 3 1/2" (8.89 cm)

Displacement: 3.70 ft³ (104.7 L)



"Intended for classic Longboard designs under the 9'1" range, the 9'3"Y has proven to be one the most popular blanks. The Natural Rocker is in about the middle of the demand curve. But remember, the further you change the Natural Rocker, the wider the wood stringer it needs to hold it from spingback."

RENNY YATER



SOLARMADE
IN THE USA
USBLANKS.COM

LONGBOARD

9'4" B

Designed by

BRUCE JONES

Introduced: July 2006

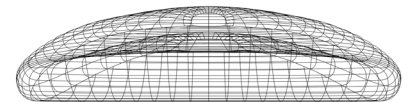
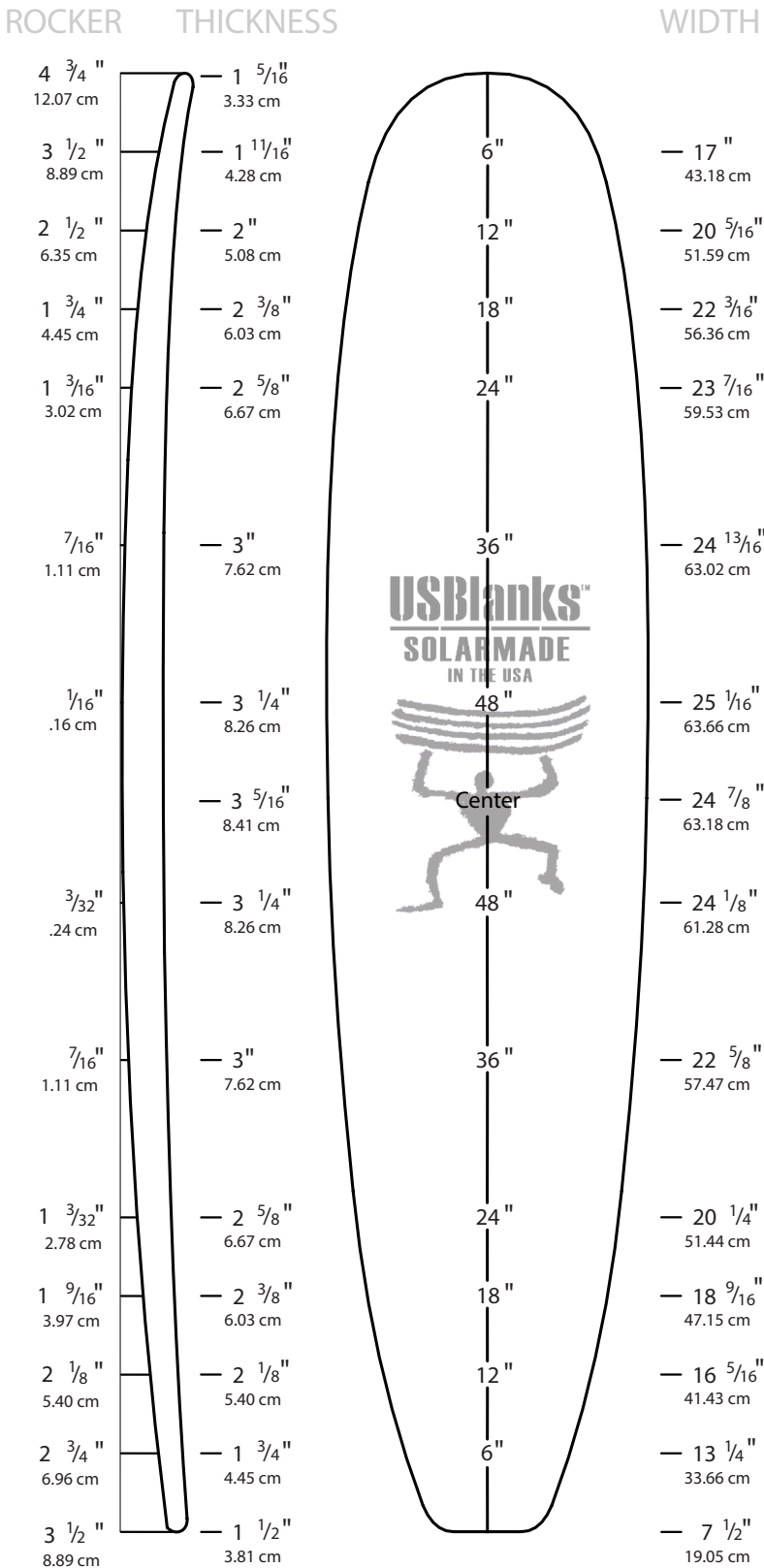
Overall Bottom Length: 9'3 1/2" (283.21 cm)

Tip-to-Tip Deck Length: 9'3 1/16" (282.10 cm)

Max Width: 25 1/16" (63.66 cm)

Max Thickness: 3 5/16" (8.41 cm)

Displacement: 3.42 ft³ (96.7 L)



"From the original 9'4" B plug, with thickness added to the tail area of the deck to make it a more shaper friendly blank. Close tolerance for strength. Will net 24" x 3 1/8". Bottom rockers from the previous 9'4" B will work well with this blank."

BRUCE JONES



SOLARMADE
IN THE USA
USBLANKS.COM

LONGBOARD

9'5" M

Designed by

MATT YERXA

Introduced: August 2007

Overall Bottom Length: 9'4 7/16" (285.59 cm)

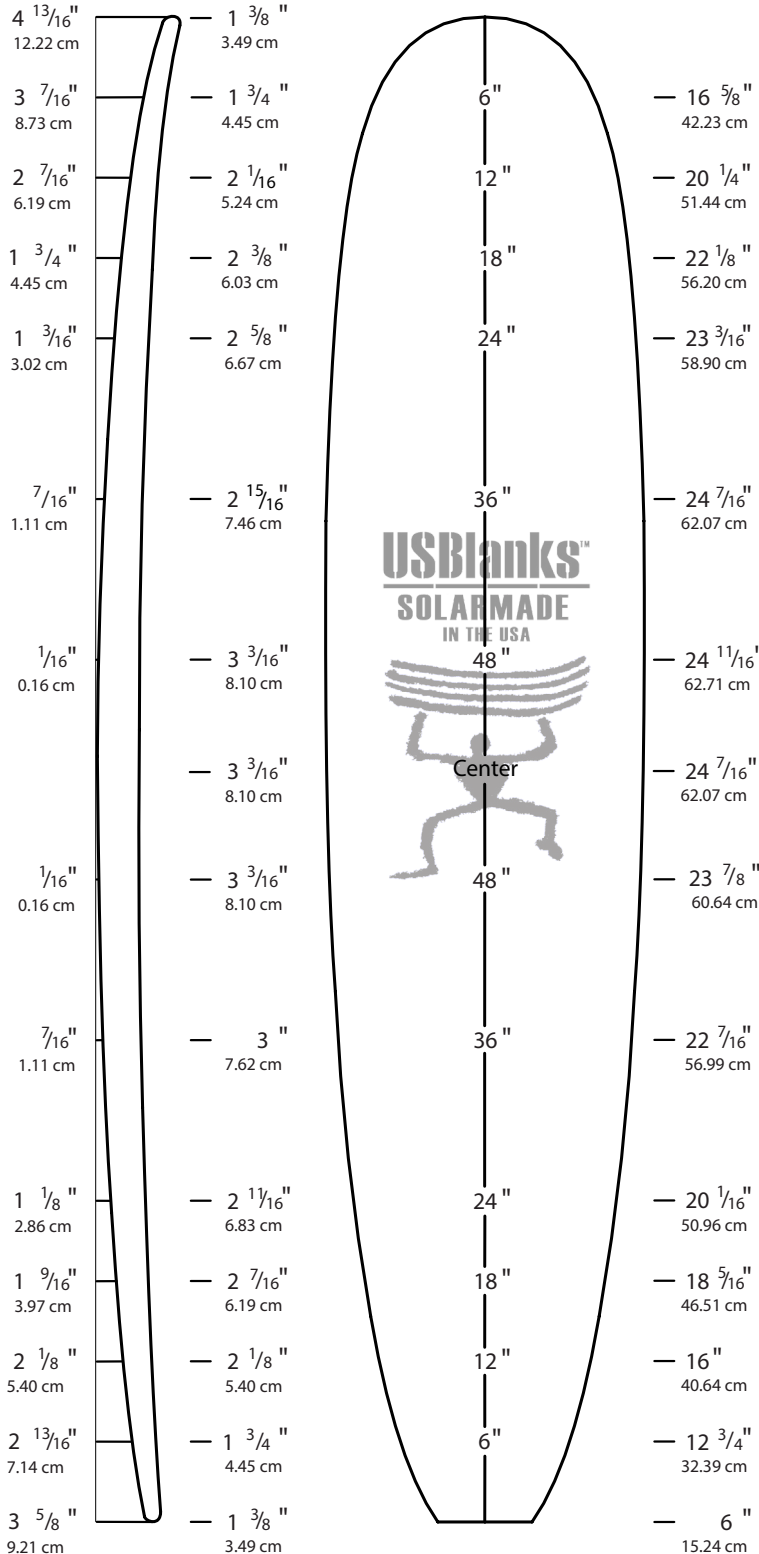
Tip-to-Tip Deck Length: 9'3 3/4" (283.85 cm)

Max Width: 24 11/16" (62.71 cm)

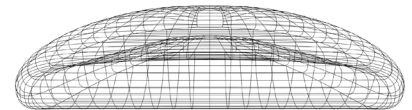
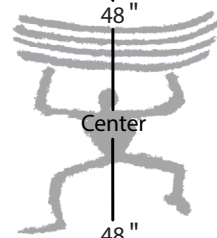
Max Thickness: 3 3/16" (8.10 cm)

Displacement: 3.27 ft³ (92.7 L)

ROCKER THICKNESS WIDTH



USBlanks™
SOLARMADE
IN THE USA



"This is a versatile high-performance Longboard blank designed to accommodate both machine and hand shaping. The deck is moderately flat with a slight taper out toward the tail to ensure maximum strength. It has slightly more volume in the nose and tail to allow more rocker to be shaped-in if desired."

MATT YERXA



SOLARMADE
IN THE USA
USBLANKS.COM

LONGBOARD

9'8"Y

Designed by

RENNY YATER

Introduced: July 2006

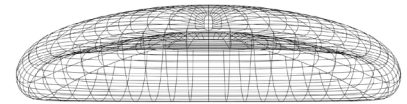
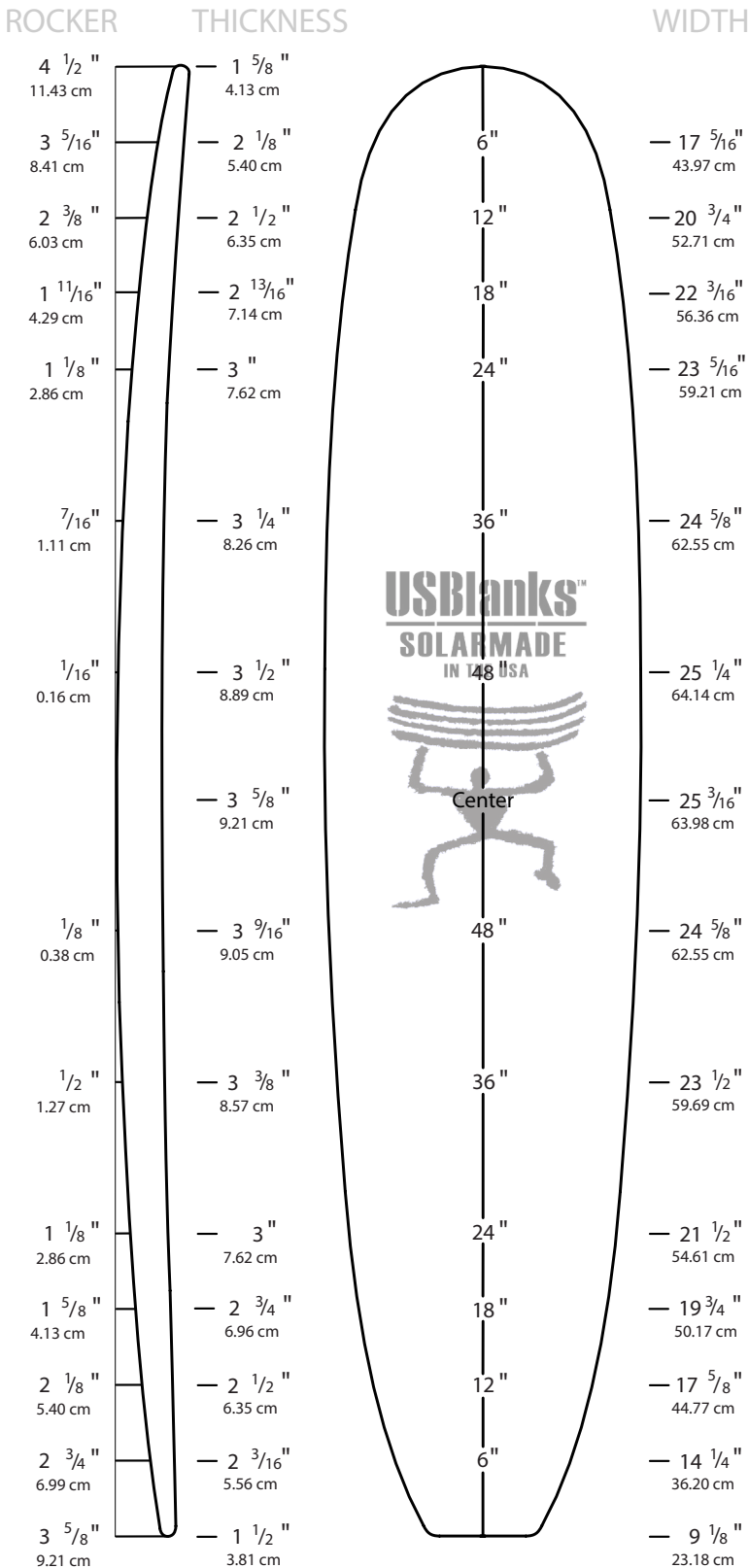
Overall Bottom Length: 9'8 1/8" (294.96 cm)

Tip-to-Tip Deck Length: 9'7 3/4" (294.01 cm)

Max Width: 25 1/4" (64.14 cm)

Max Thickness: 3 5/8" (9.21 cm)

Displacement: 4.19 ft³ (118.7 L)



"Intended for classic Longboard designs under the 9'6" range. The Natural Rocker is in about the middle of the demand curve. But remember, the further you change the Natural Rocker curve, the wider the wood stringer needed to hold it from springback."

RENNY YATER



SOLARMADE
IN THE USA
USBLANKS.COM

GUN

9'9" A

Designed by

PAT RAWSON

Introduced: September 2006

Overall Bottom Length: 9'9 1/4" (297.82 cm)

Tip-to-Tip Deck Length: 9'8 3/8" (295.59 cm)

Max Width: 22 7/16" (56.99 cm)

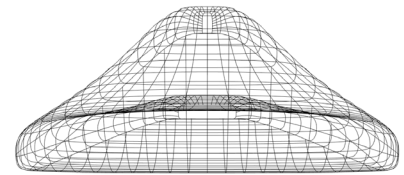
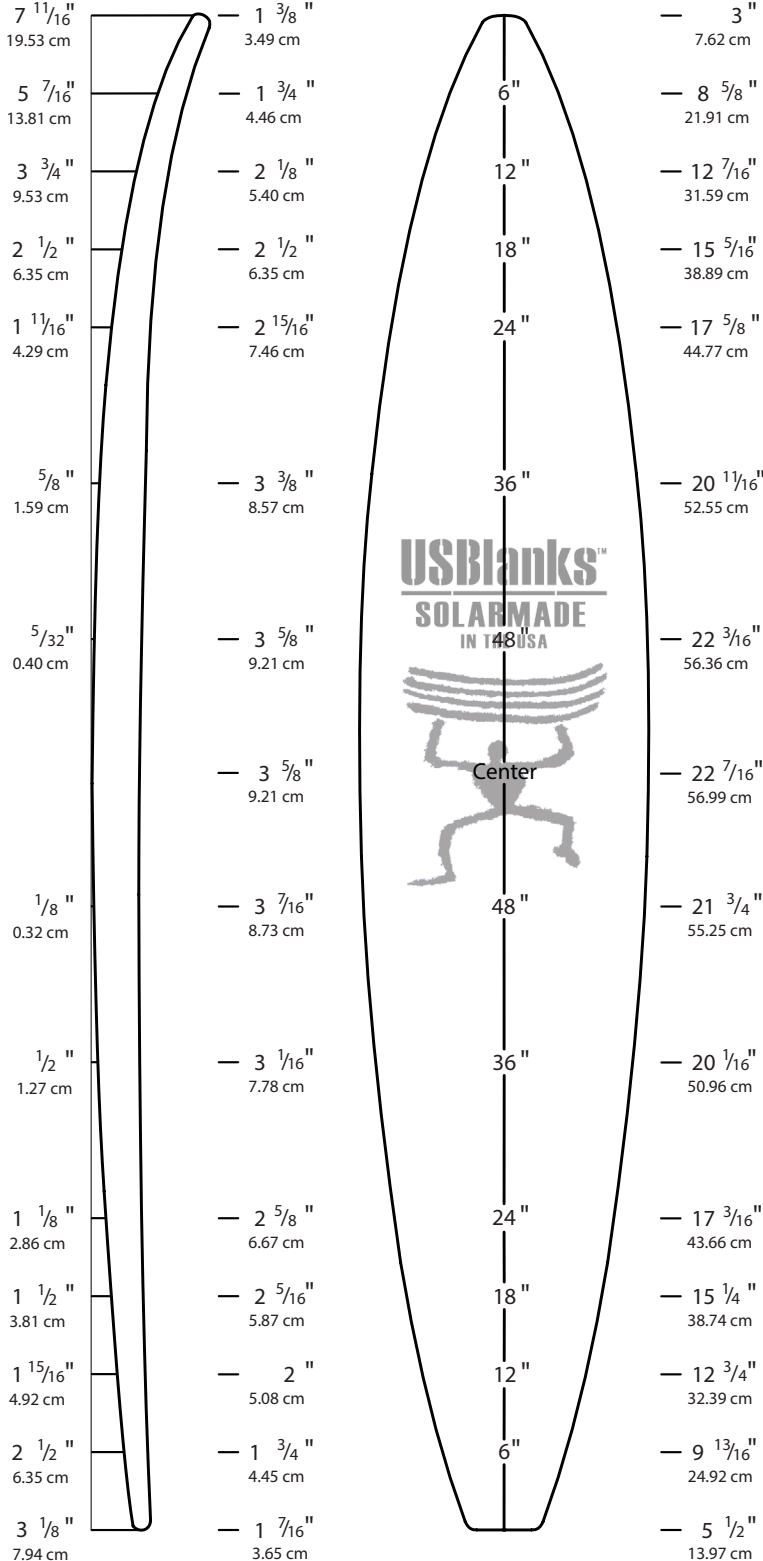
Max Thickness: 3 11/16" (9.37 cm)

Displacement: 3.23 ft³ (91.5 L)

ROCKER

THICKNESS

WIDTH



"The 9'9" A easily nets a 9'8" bottom length and is intended for big wave paddle Guns. The Natural Rocker is good for Vee in the tail and contoured bottom designs. The Hawaii Rocker can be used for hi-performance styles."

PAT RAWSON



SOLARMADE
IN THE USA
USBLANKS.COM

GUN

9'9" AX

Designed by

PAT RAWSON

Introduced: September 2006

Overall Bottom Length: 9'9 1/4" (297.82 cm)

Tip-to-Tip Deck Length: 9'8 3/8" (295.59 cm)

Max Width: 22 7/16" (56.99 cm)

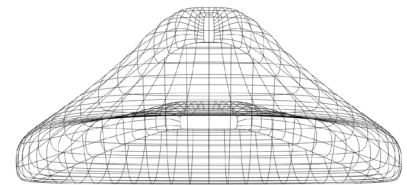
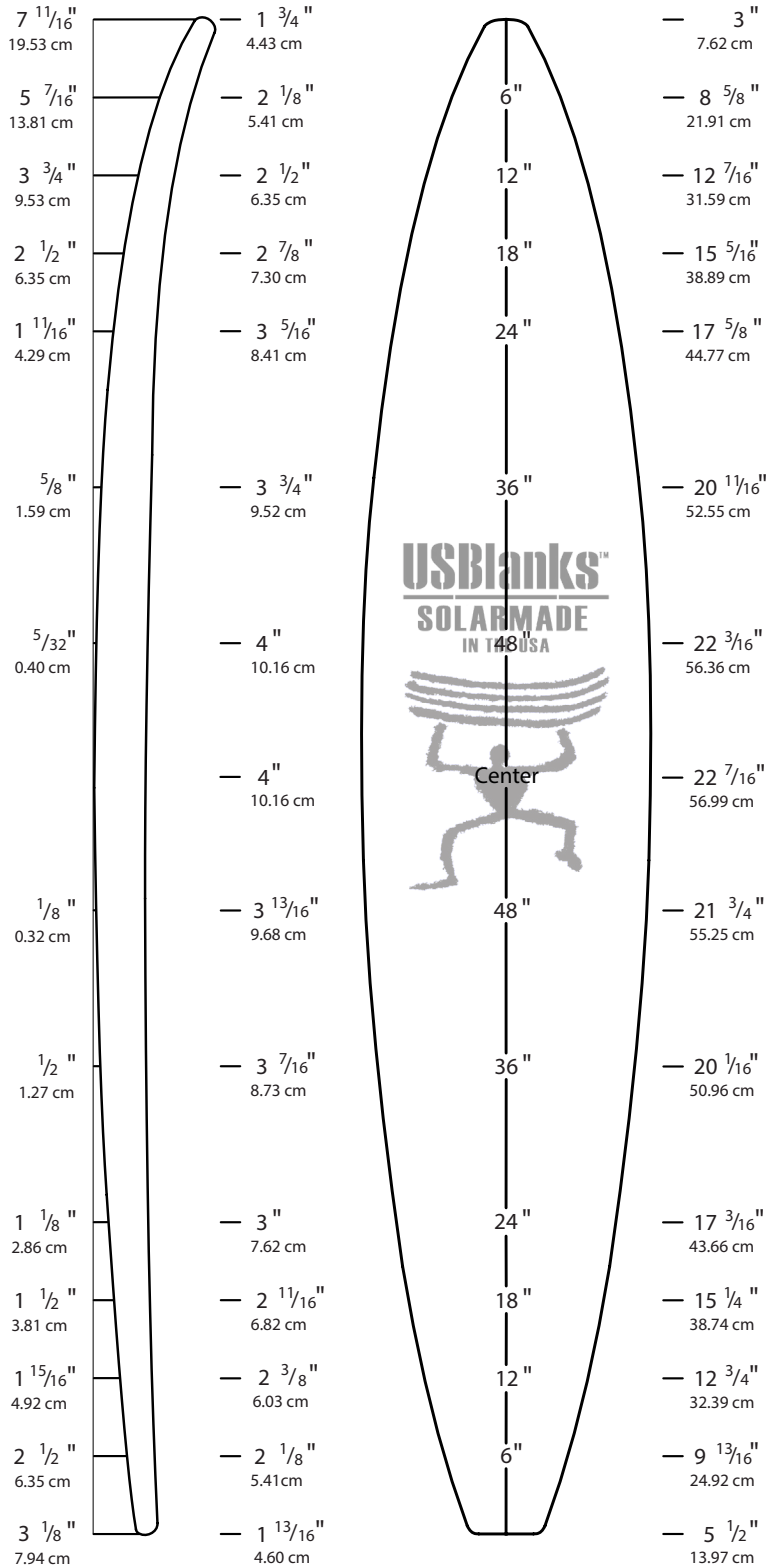
Max Thickness: 3 11/16" (9.37 cm)
9'9"A with 3/8" added thickness overall

Displacement: 3.57 ft³ (101.4 L)

ROCKER

THICKNESS

WIDTH



"3/8" Thicker than the 9'9"A. The 9'9"AX easily nets a 9'8" bottom length and is intended for big wave paddle Guns. The Natural Rocker is good for Vee in the tail and contoured bottom designs. The Hawaii Rocker can be used for hi-performance styles."

PAT RAWSON



SOLARMADE
IN THE USA
USBLANKS.COM

LONGBOARD

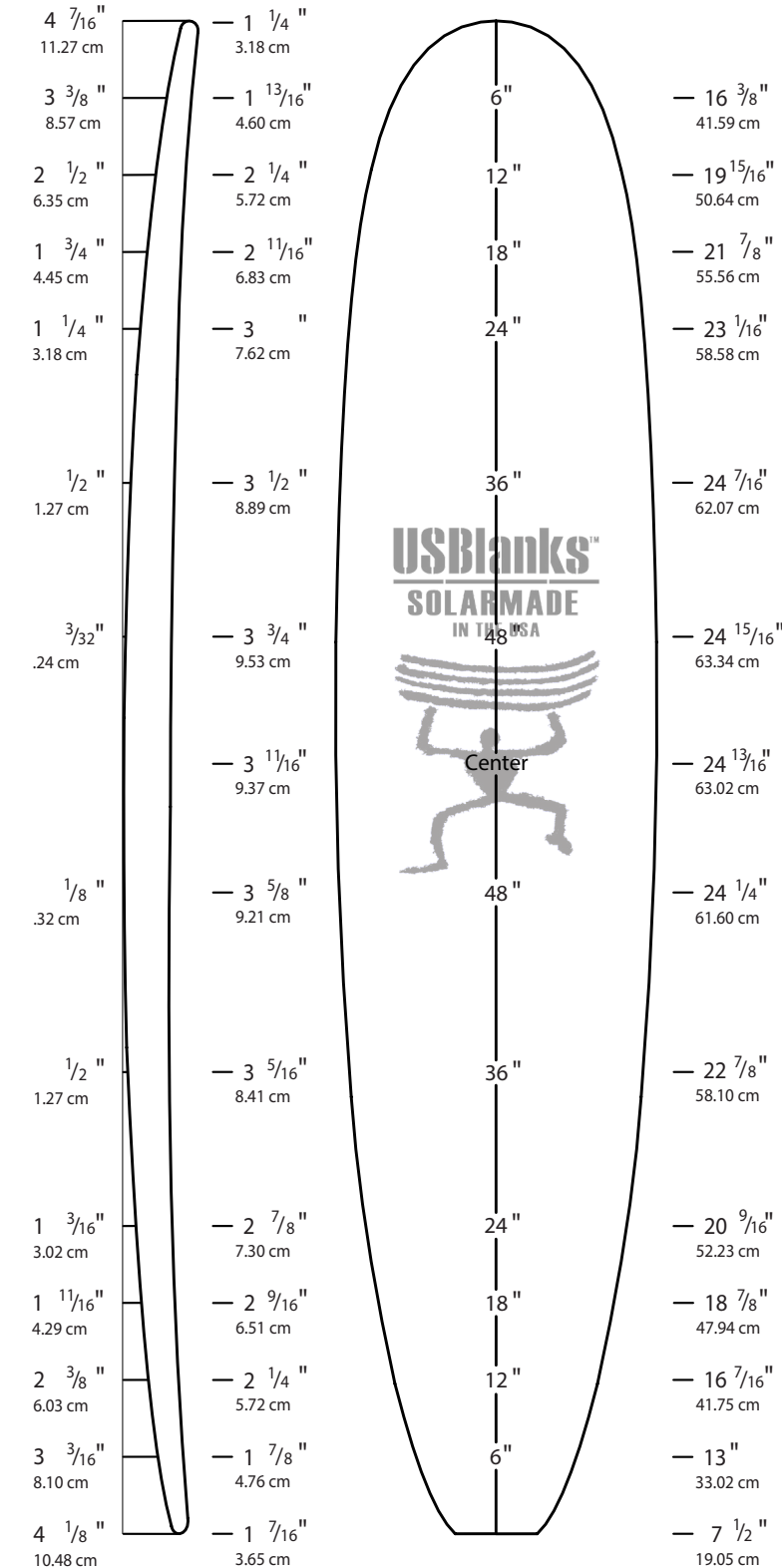
9'9" B

Designed by

BRUCE JONES

Introduced: July 2006

ROCKER THICKNESS WIDTH



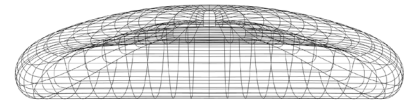
Overall Bottom Length: 9'9 5/8" (298.77 cm)

Tip-to-Tip Deck Length: 9'9 1/8" (297.50 cm)

Max Width: 24 15/16" (63.34 cm)

Max Thickness: 3 3/4" (9.53 cm)

Displacement: 4.022 ft³ (113.9 L)



"Intended for Longboard shapes from 9'2" to 9'6", this is a close tolerance blank that will net 24" x 3 1/4" maximum dimensions. Natural Rocker will make a nice all-around Longboard shape. Rockers from the previous 9'8" will work well with this blank."

BRUCE JONES



SOLARMADE
IN THE USA
USBLANKS.COM

GUN

10'0"BG

Designed by

**PAT RAWSON &
ERIC ARAKAWA**

Introduced: November 2015

Overall Bottom Length: 10'1 1/2" (308.61 cm)

Tip-to-Tip Deck Length: 10'0 3/8" (305.73 cm)

Max Width: 25 5/8" (65.09 cm)

Max Thickness: 4 9/16" (11.59 cm)

Displacement: 5.265 ft³ (149.1 L)

ROCKER

THICKNESS

WIDTH

7 7/16"
18.89 cm

5 5/16"
13.49 cm

3 13/16"
9.68 cm

2 11/16"
6.83 cm

1 7/8"
4.76 cm

— 1 7/8"
4.76 cm

— 2 3/8"
6.03 cm

— 2 7/8"
7.30 cm

— 3 5/16"
8.41 cm

— 3 5/8"
9.21 cm

3/4"
1.91 cm

— 4 3/16"
10.64 cm

3/16"
0.48 cm

— 4 1/2"
11.43 cm

3/16"
0.48 cm

— 4 5/16"
10.95 cm

9/16"
1.43 cm

— 4"
10.16 cm

1 3/16"
3.02 cm

— 3 1/2"
8.89 cm

1 1/2"
3.81 cm

— 3 3/16"
8.10 cm

2"
5.08 cm

— 2 7/8"
7.30 cm

2 9/16"
6.51 cm

— 2 1/2"
6.35 cm

3 1/4"
8.26 cm

— 2"
5.08 cm

6"
12"
18"
24"
36"
48"
36"
24"
18"
12"
6"

— 5"
12.70 cm

— 12 1/2"
31.75 cm

— 17"
43.18 cm

— 19 15/16"
50.64 cm

— 22"
55.88 cm

— 24 3/8"
61.91 cm

— 25 7/16"
64.61 cm

— 25 9/16"
64.93 cm

— 24 7/8"
63.18 cm

— 23 3/8"
59.37 cm

— 20 11/16"
52.55 cm

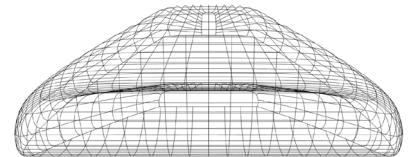
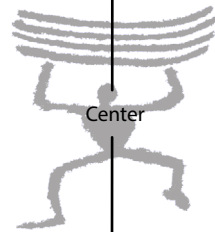
— 18 13/16"
47.78 cm

— 16 5/16"
41.43 cm

— 13"
33.02 cm

— 8"
20.32 cm

USBlanks™
SOLARMADE
IN THE USA



"The 10'0"BG is the longer version of the 9'3"A, and the shorter version of the 10'8"BG. It should fit nicely between both sizes for the bigger guy, thicker, gun style shapes."

PAT RAWSON



SOLARMADE
IN THE USA
USBLANKS.COM

LONGBOARD

10'1"C

Designed by

MATT CALVANI

Introduced: February 2016

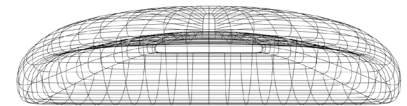
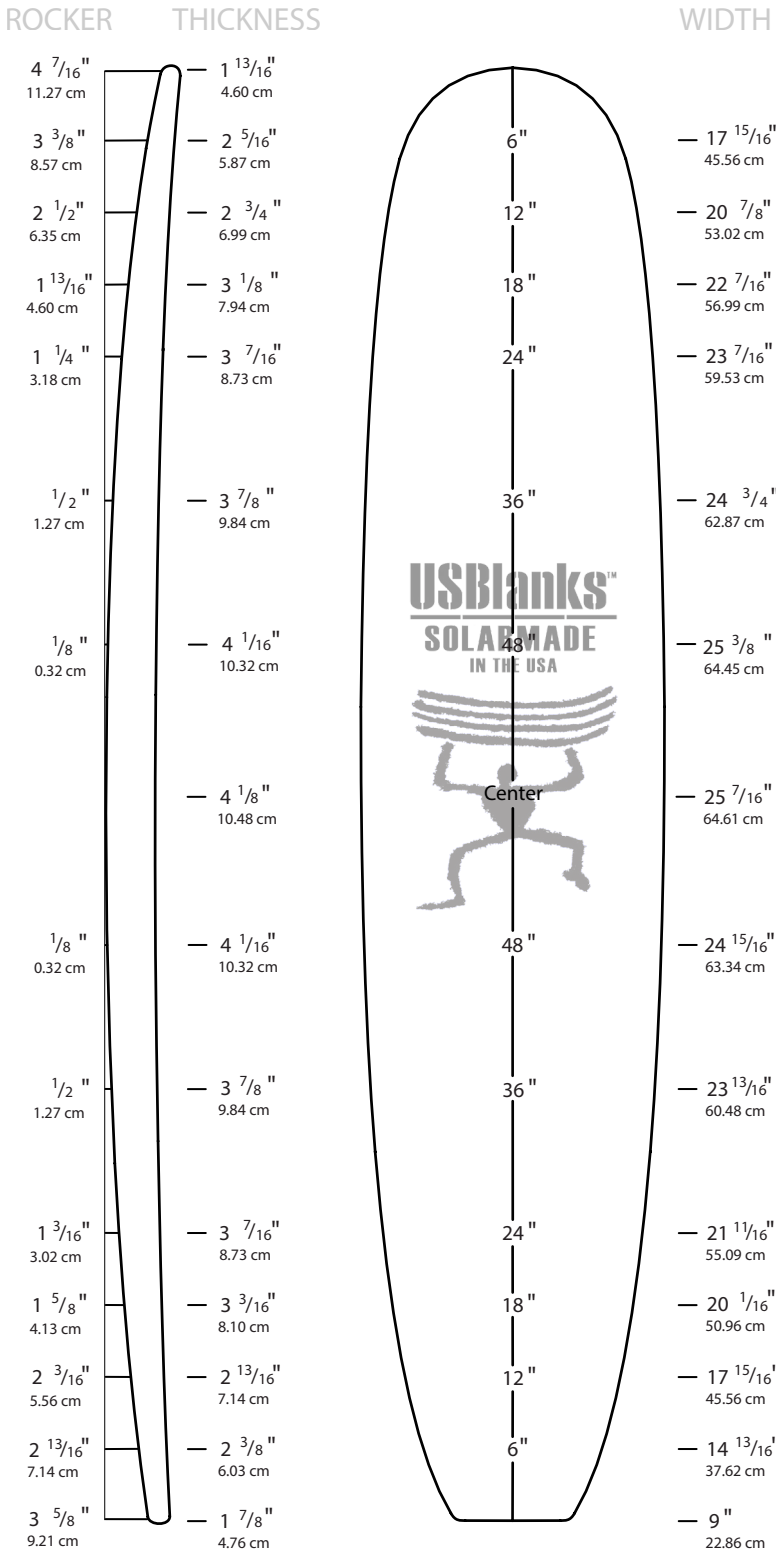
Overall Bottom Length: 10'2" (309.88 cm)

Tip-to-Tip Deck Length: 10'1 3/8" (308.29 cm)

Max Width: 25 7/16" (64.61 cm)

Max Thickness: 4 1/8" (10.48 cm)

Displacement: 5.053 ft³ (143.1 L)



"The 10'1"C is a shorter version of the 10'8"C, designed to net a finished thickness from 3-3/8" to 3-7/8" or more. I recommend the 10'2"B for thinner boards. The 10'1"C features a flat deck with a fuller rail and wider nose and tail to accommodate classic Longboards, Pigs, and high-performance Longboards. Despite the thickness, it is designed to accommodate broad rocker changes and will foil out nicely at the suggested thickness."

MATT CALVANI



SOLARMADE
IN THE USA
USBLANKS.COM

LONGBOARD

10'2" B

Designed by

BRUCE JONES

Introduced: July 2006

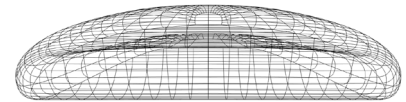
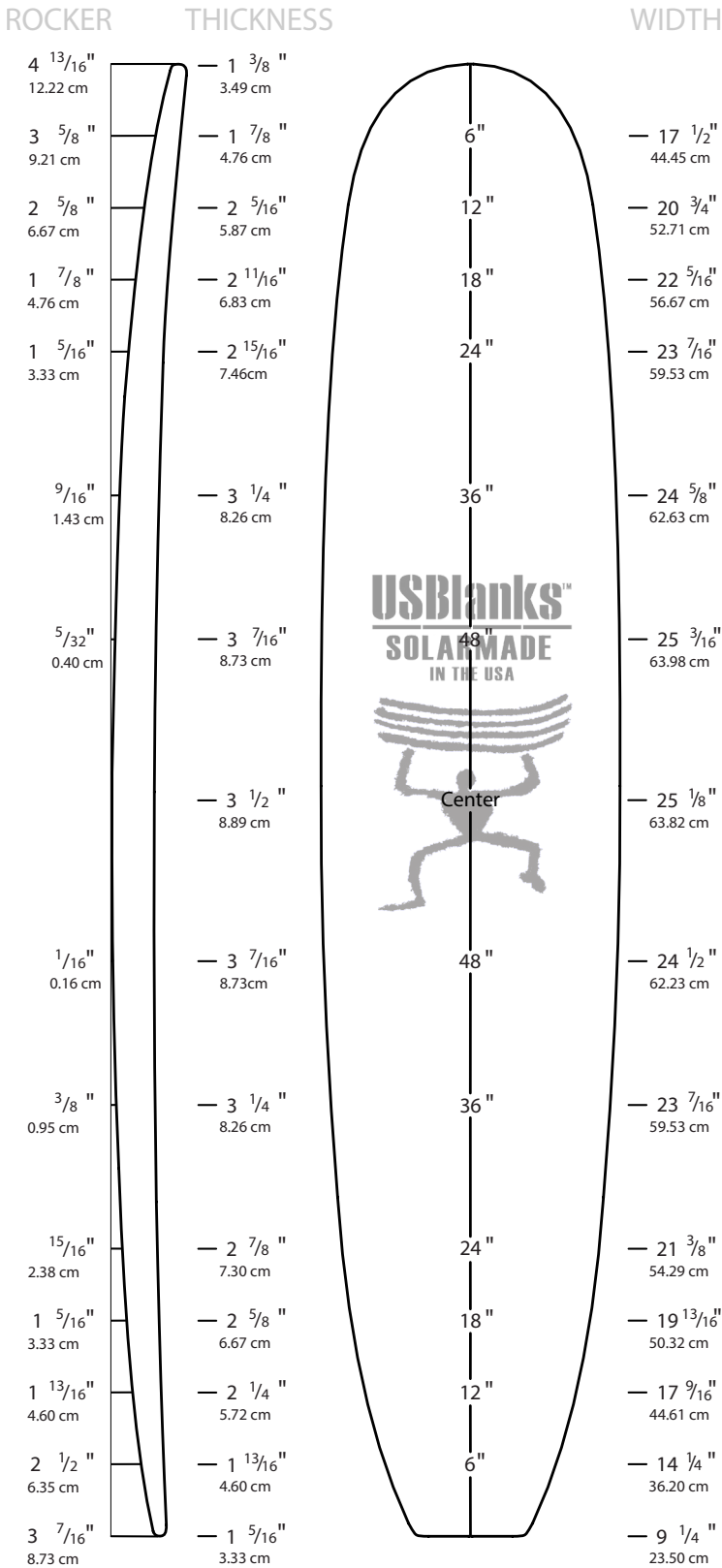
Overall Bottom Length: 10'2 1/4" (310.52 cm)

Tip-to-Tip Deck Length: 10'1 1/2" (308.61 cm)

Max Width: 25 3/16" (63.98 cm)

Max Thickness: 3 1/2" (8.89 cm)

Displacement: 4.26 ft³ (120.6 L)



"Intended for Longboard shapes from 9'8" to 10'0", this is a close tolerance blank to net 24" x 3-3/8" maximum dimensions. Rockers from the previous 10'1" will work well with this blank. 10'1" Y Natural Rocker is available for this blank."

BRUCE JONES



SOLARMADE
IN THE USA
USBLANKS.COM

LONGBOARD

10'2"BX

Designed by

BRUCE JONES

Introduced: July 2006

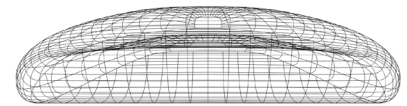
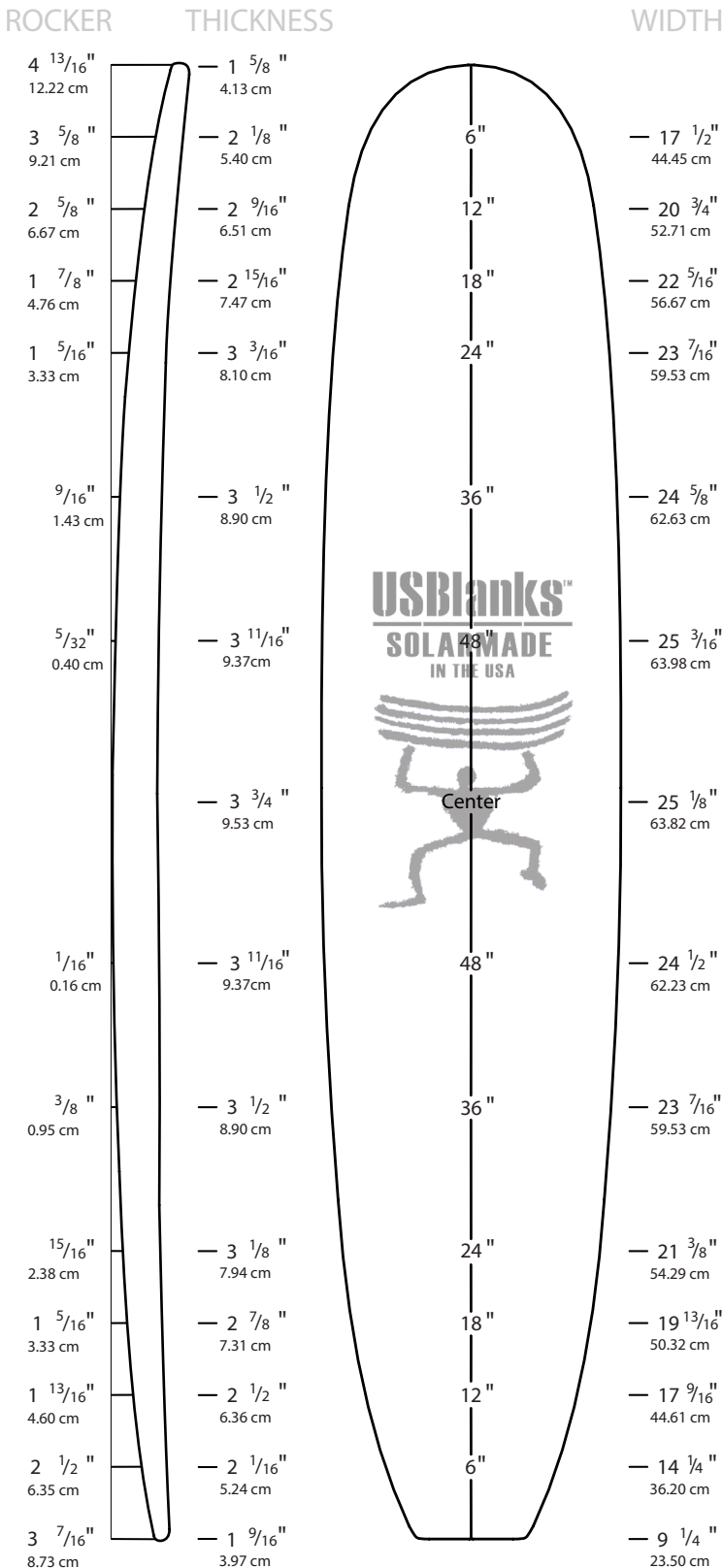
Overall Bottom Length: 10'2 1/4" (310.52 cm)

Tip-to-Tip Deck Length: 10'1 1/2" (308.61 cm)

Max Width: 25 3/16" (63.98 cm)

Max Thickness: 3 3/4" (9.53 cm)
10'2"B with 1/4" added thickness overall

Displacement: 4.61 ft³ (130.5 L)



"This is the 10'2"B with 1/4" thickness added over all. Intended for Longboard shapes from 9'8" to 10'0", this is a close tolerance blank to net 24" x 3-3/8" maximum dimensions. Rockers from the previous 10'1" will work well with this blank. 10'1"Y Natural Rocker is available for this blank."

BRUCE JONES



SOLARMADE
IN THE USA
USBLANKS.COM

GUN

10'6" A

Designed by

PAT RAWSON

Introduced: September 2006

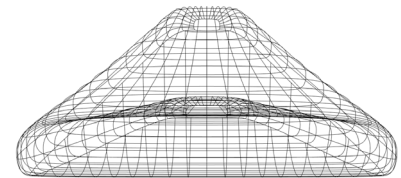
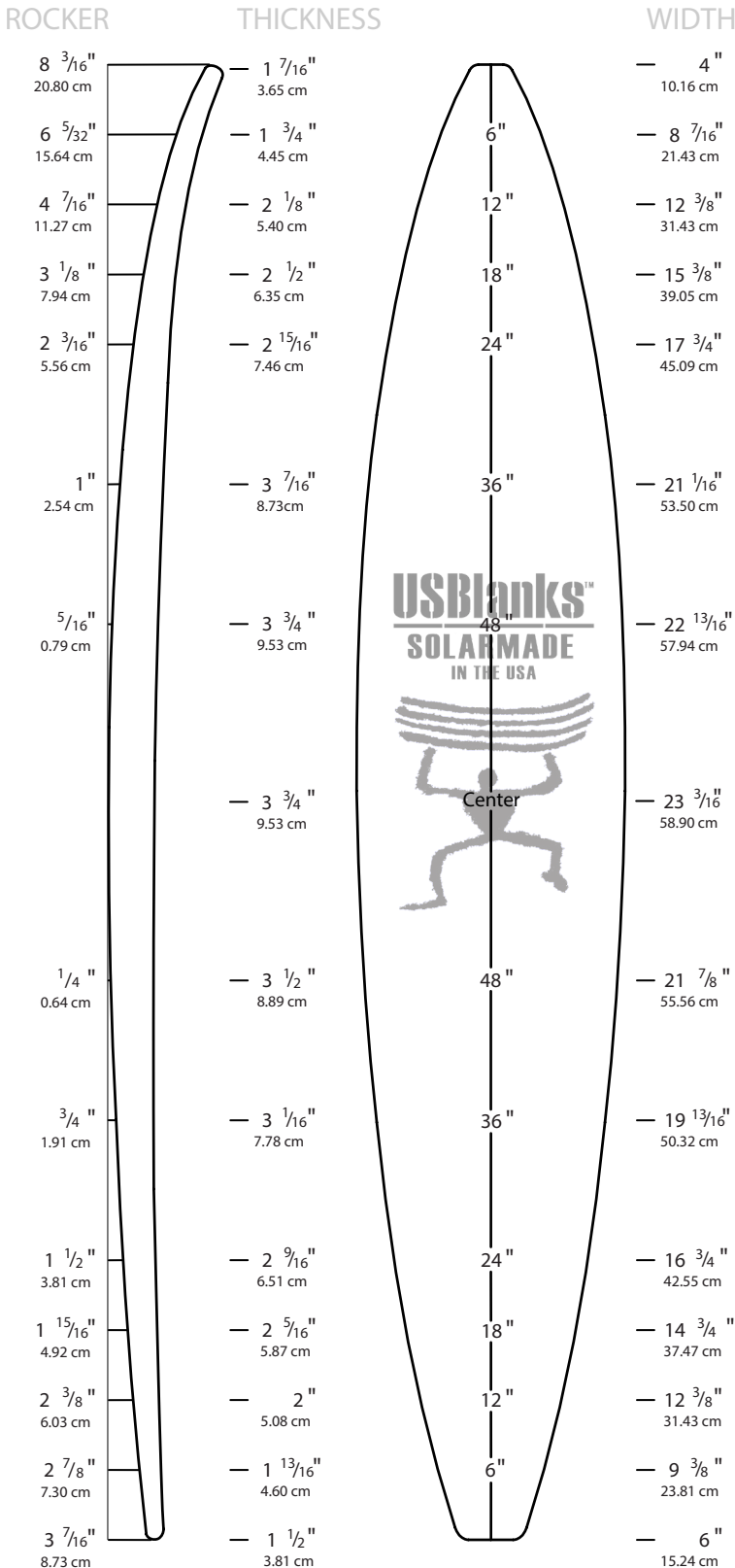
Overall Bottom Length: 10'6 3/4" (321.95 cm)

Tip-to-Tip Deck Length: 10'5 7/8" (319.72 cm)

Max Width: 23 3/16" (58.90 cm)

Max Thickness: 3 3/4" (9.53 cm)

Displacement: 3.77 ft³ (106.8 L)



"The 10'6" A easily nets a 10'5" bottom length. The Natural Rocker is good for Vee in the tail and contoured bottom designs. The Hawaii Rocker can be used for hi-performance styles."

PAT RAWSON



SOLARMADE
IN THE USA
USBLANKS.COM

GUN

10'6" AX

Designed by

PAT RAWSON

Introduced: September 2006

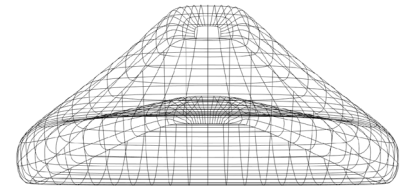
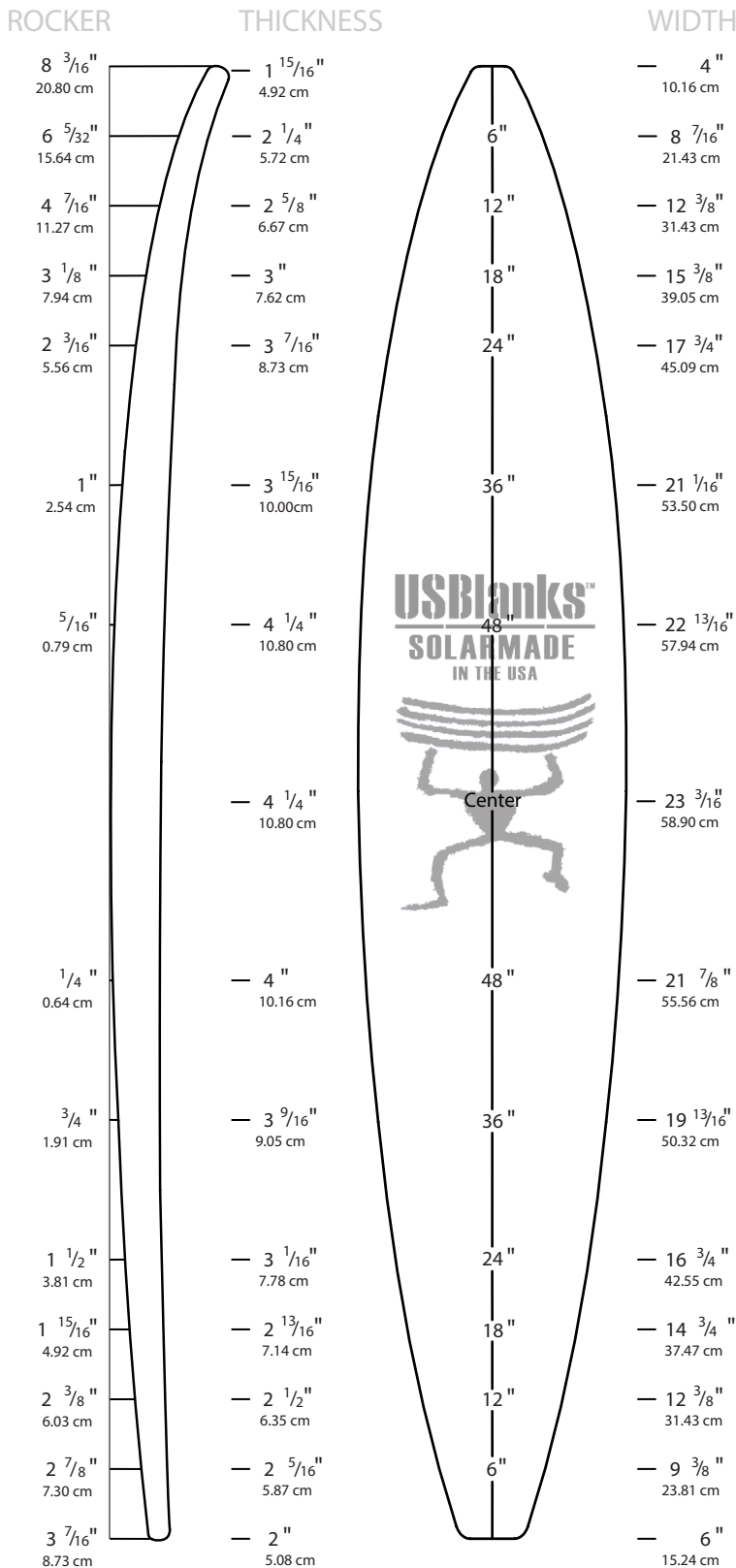
Overall Bottom Length: 10'6 3/4" (321.95 cm)

Tip-to-Tip Deck Length: 10'5 7/8" (319.72 cm)

Max Width: 23 3/16" (58.90 cm)

Max Thickness: 4 1/4" (10.80 cm)
10'6"A with 1/2" added thickness overall

Displacement: 4.37 ft³ (123.7 L)



"This is the 10'6"A with 1/2" thickness added overall. The 10'6"A easily nets a 10'5" bottom length. The Natural Rocker is good for Vee in the tail and contoured bottom designs. The Hawaii Rocker can be used for hi-performance styles."

PAT RAWSON



SOLARMADE
IN THE USA
USBLANKS.COM

GUN

10'8"BG

Designed by

**PAT RAWSON &
ERIC ARAKAWA**

Introduced: November 2013

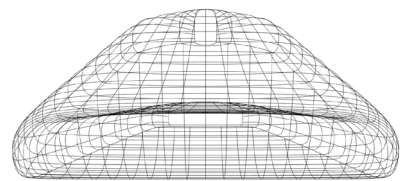
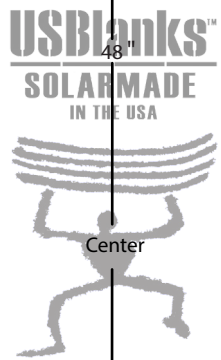
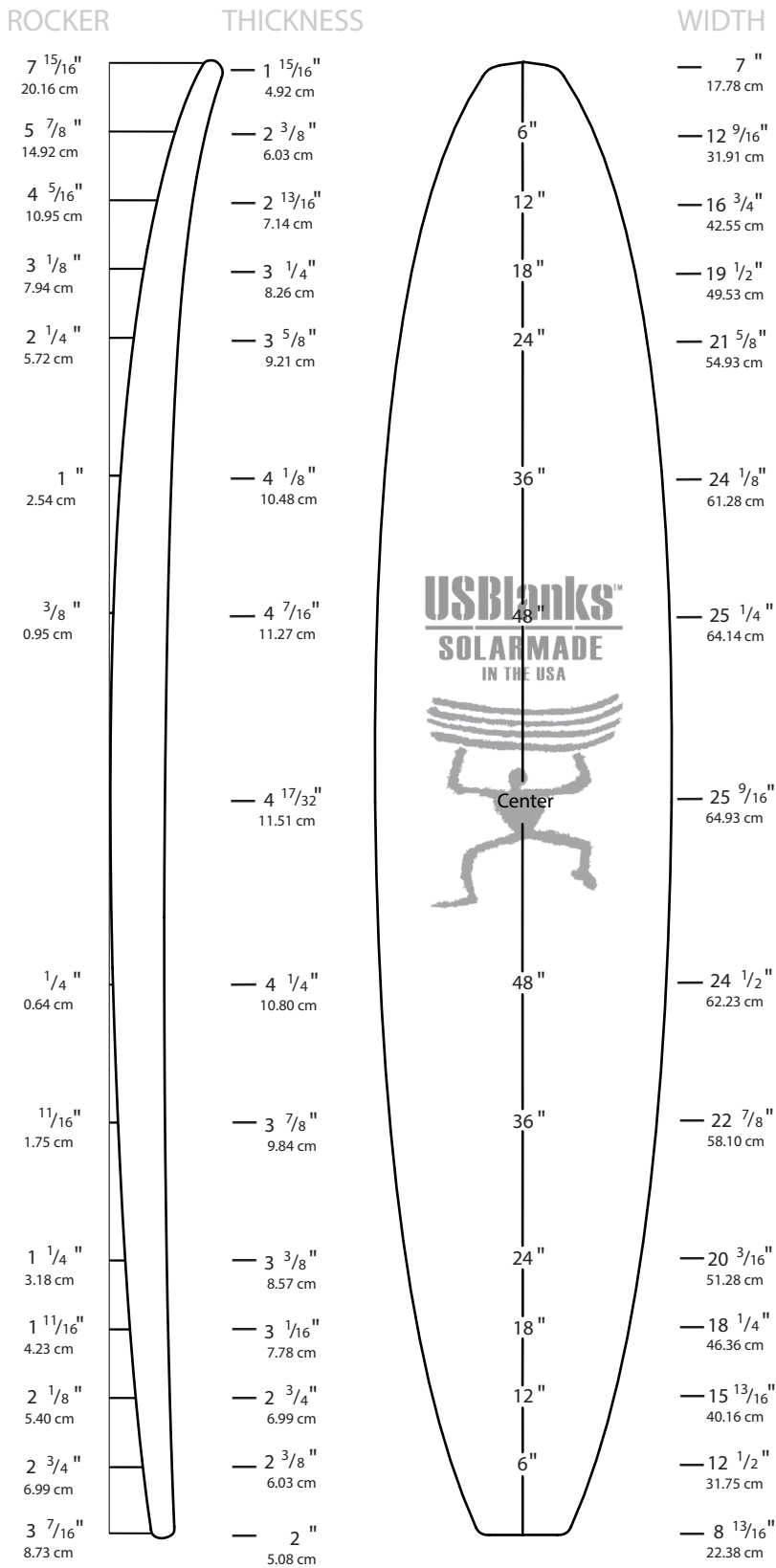
Overall Bottom Length: 10'9 1/2" (328.93 cm)

Tip-to-Tip Deck Length: 10'8 1/4" (325.76 cm)

Max Width: 25 9/16" (64.93 cm)

Max Thickness: 4 9/16" (11.59 cm)

Displacement: 5.63 ft³ (159.3 L)



The 10'8"BG was designed and built by Eric Arakawa & Pat Rawson. "The original plan was to build a combo 'Big Guy'/'Gun Blank' ala 'BG', that could be offset-cut narrower for performance Guns, but have a built-in wider stock width suitable for many different options. The 9'3"A was used as a conceptual starting point, and the bottom and deck contours are fairly flat in the stringer area to enable ordering an offset cut to net a narrower version (23.5-24") without the normal peak at the stringer that more contoured blanks can produce when narrowing by 2-3" The rocker is universal and the Natural Rocker should offer many design opportunities, due to the ample thickness in the nose and tail areas.

PAT RAWSON



SOLARMADE
IN THE USA
USBLANKS.COM

LONGBOARD

10'8"C

Designed by

MATT CALVANI

Introduced: October 2015

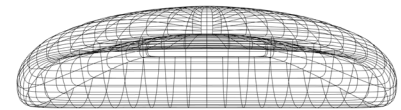
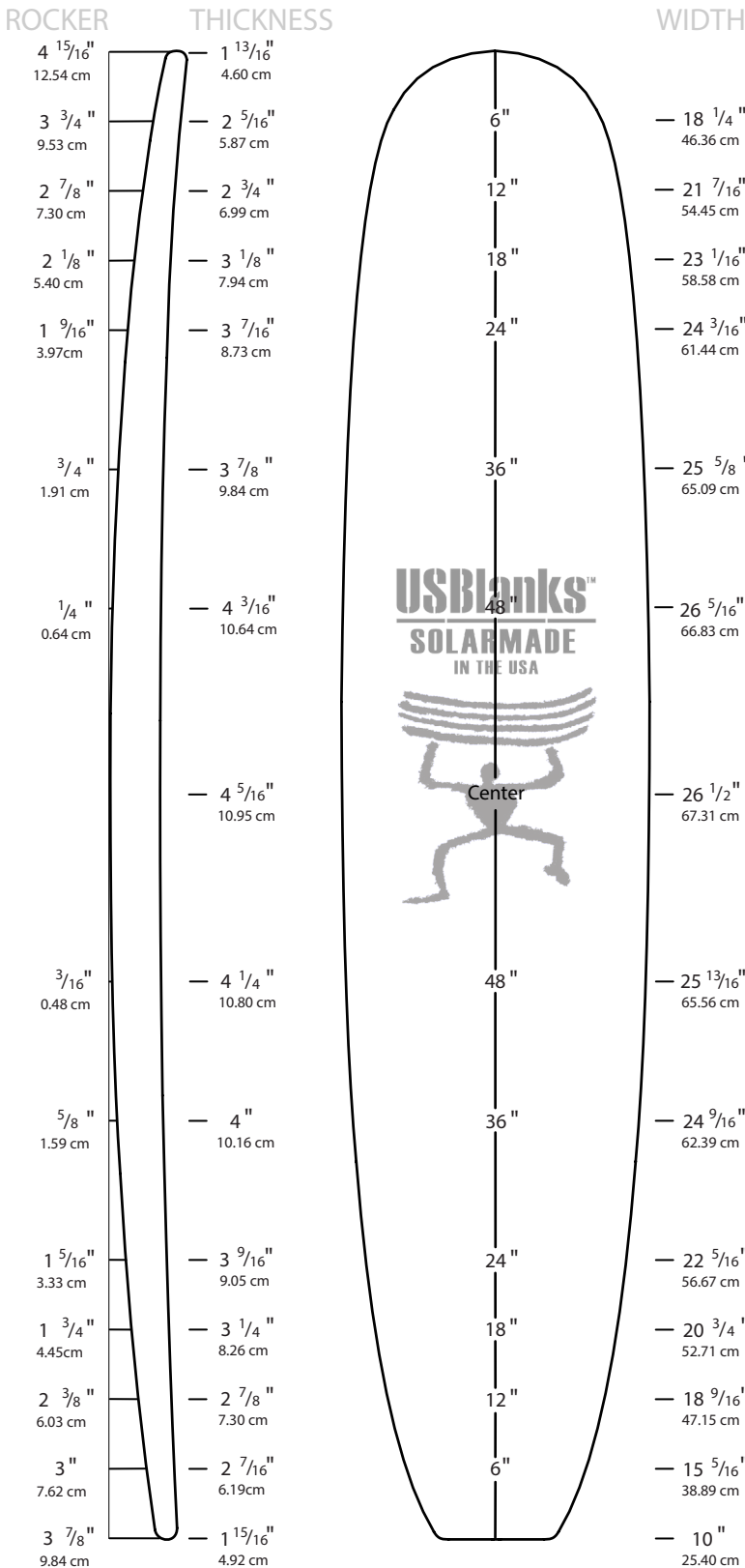
Overall Bottom Length: 10'9" (327.66 cm)

Tip-to-Tip Deck Length: 10'8 1/8" (325.44 cm)

Max Width: 26 9/16" (67.47 cm)

Max Thickness: 4 5/16" (10.95 cm)

Displacement: 5.76 ft³ (163.2 L)



"The 10'8"C was designed to net a finished thickness of 3-5/8" to 4" or more. I recommend the 10'8"Y for 3-1/2" and thinner. The 10'8"C features a flat deck with a full rail and wider nose and tail to accommodate classic Longboards, Pigs, and high-performance Longboards. Despite the thickness, it is designed to accommodate broad rocker changes and will foil out nicely at the suggested thickness with more than enough room to accommodate a variety of bottom contours."

MATT CALVANI



SOLARMADE
IN THE USA
USBLANKS.COM

LONGBOARD

10'8"Y

Designed by

RENNY YATER

Introduced: September 2006

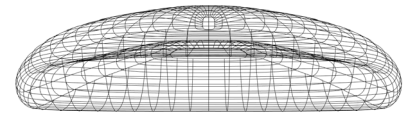
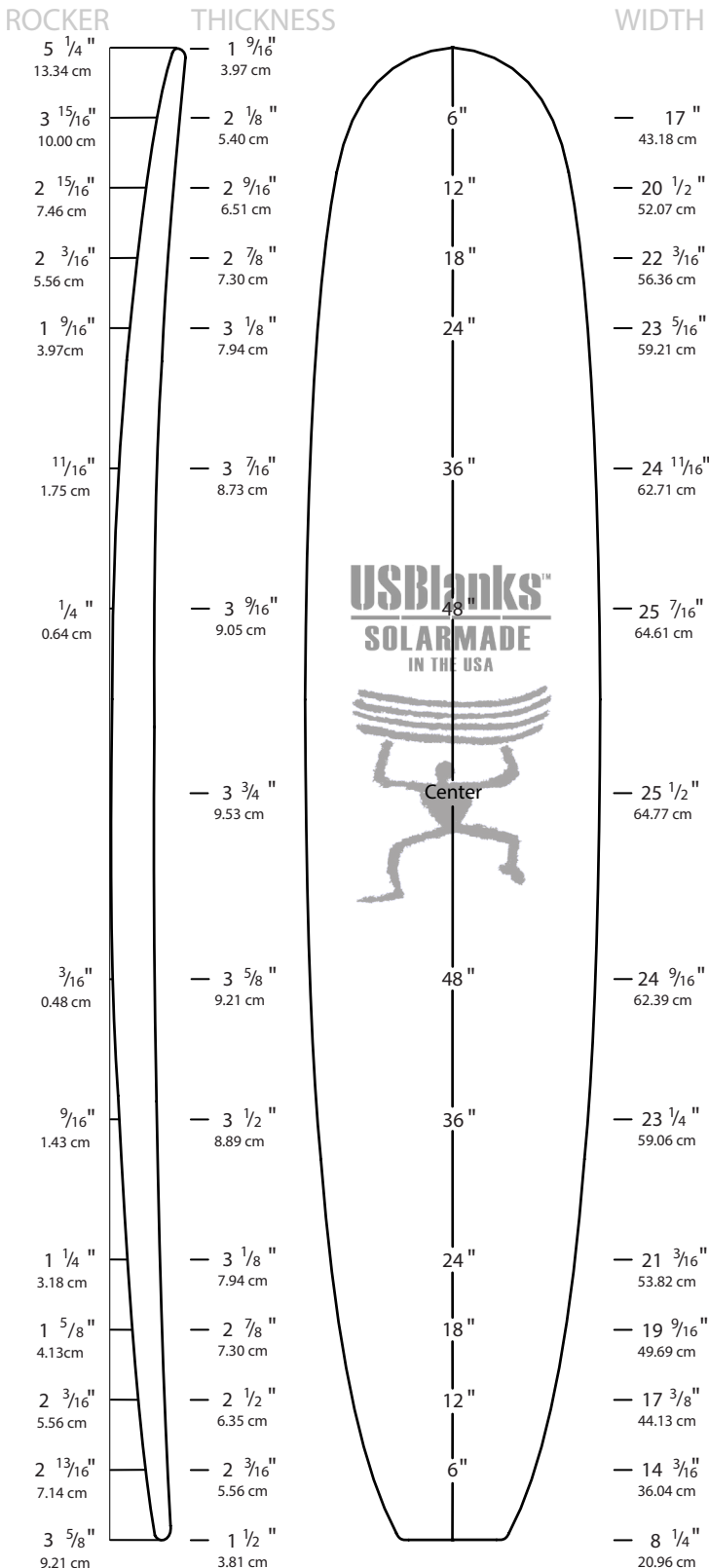
Overall Bottom Length: 10'7 7/8" (324.80 cm)

Tip-to-Tip Deck Length: 10'7 5/16" (323.37 cm)

Max Width: 25 1/2" (64.77 cm)

Max Thickness: 3 3/4" (9.53 cm)

Displacement: 4.77 ft³ (135.2 L)



"Intended for classic Longboard designs under the 10'6" range. The Natural Rocker in about the middle of the demand curve. But remember, the further you change the Natural Rocker cure, the wider the wood stringer needed to hold it from springback."

RENNY YATER



SOLARMADE
IN THE USA
USBLANKS.COM

SUP

10'10" T

Designed by

JEFF TIMPONE

Introduced: August 2008

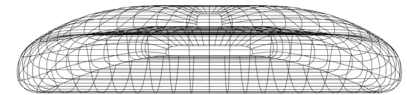
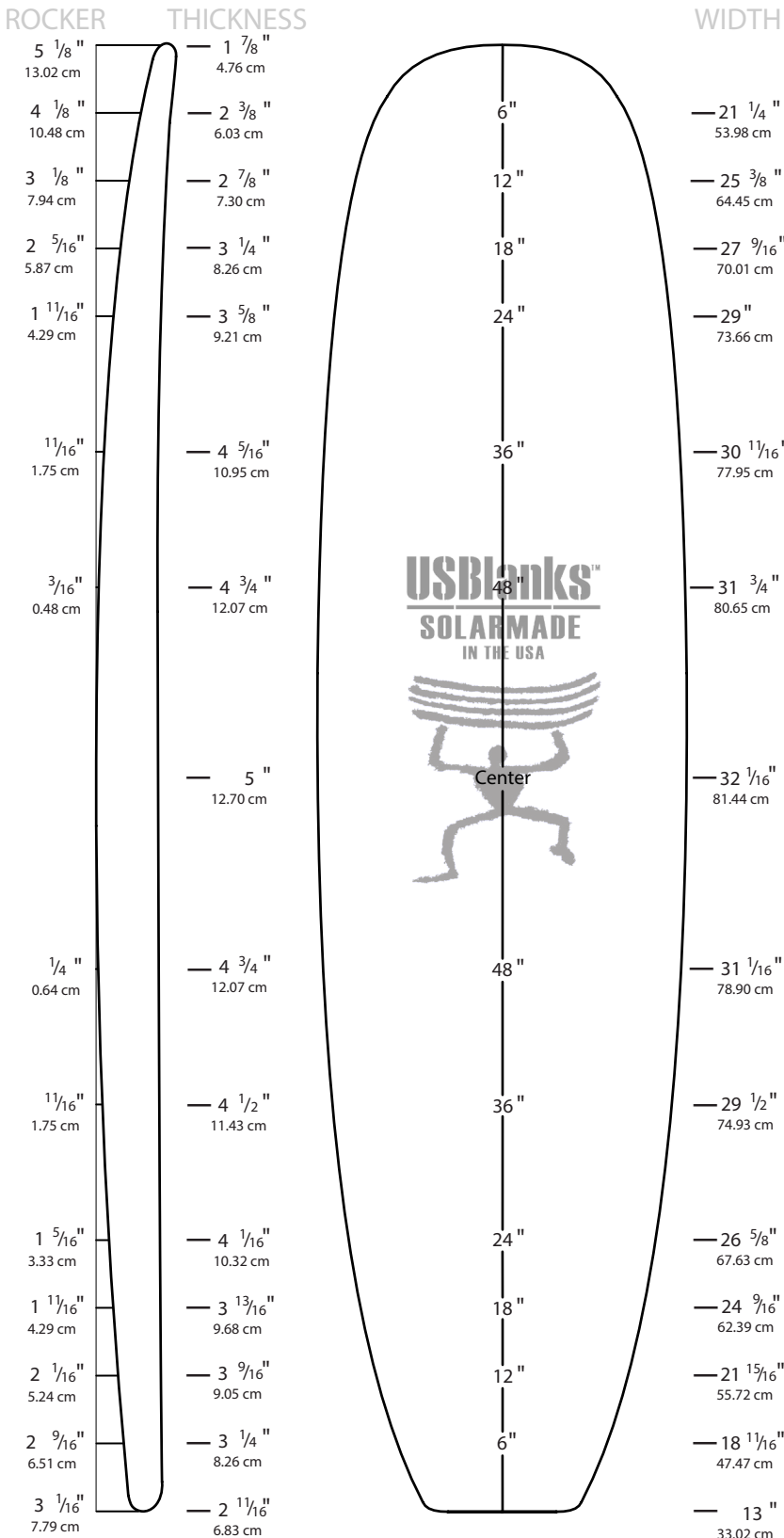
Overall Bottom Length: 10'9 3/8" (328.61 cm)

Tip-to-Tip Deck Length: 10'9" (327.66 cm)

Max Width: 32 1/16" (81.44 cm)

Max Thickness: 5" (12.70 cm)

Displacement: 8.31 ft³ (235.3 L)



"I tried to make this Stand Up blank as versatile as possible. It has plenty of width and thickness to do just about anything in a Stand Up Paddle surfboard. The rocker should also allow shapers a wide range of options."

JEFF TIMPONE



SOLARMADE
IN THE USA
USBLANKS.COM

LONGBOARD

11'3"D

Designed by

**GEORGE DOWNING &
DALE VELZY**

Introduced: January 1990

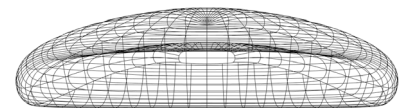
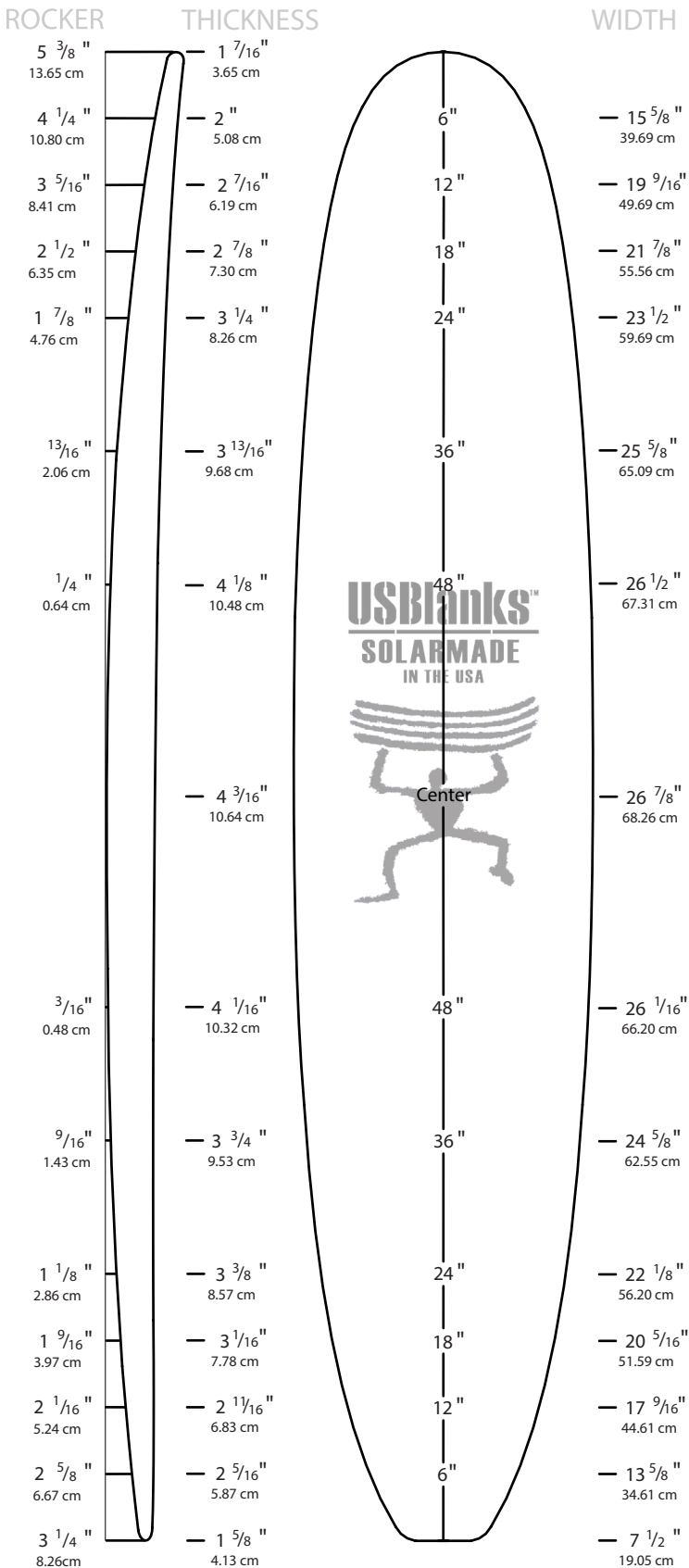
Overall Bottom Length: 11'2 1/2" (341.63 cm)

Tip-to-Tip Deck Length: 11'2" (340.36 cm)

Max Width: 26 7/8" (68.26 cm)

Max Thickness: 4 7/32" (10.72 cm)

Displacement: 5.74 ft³ (162.7 L)



“Shaper’s Delight’ will yield an excellently proportioned 10’6”. When finished, it will easily float persons up to 250lbs. An excellent rental board or family board. Nose rocker can be adjusted up to 6-1/2” or lowered 4-1/2”. Tail rocker can be adjusted up to 1” or down 1/2”. Perfect San Onofre board or for those crowded days at your favorite point break and noseriding. May be used for Guns with rocker adjustment and width removed from center prior to gluing. Suggested minimum stringer thickness 3/16”.”

GEORGE DOWNING



GUN

11'8"BG

Designed by

**PAT RAWSON &
ERIC ARAKAWA**

Introduced: January 2014

Overall Bottom Length: 11'9 1/4" (358.78 cm)

Tip-to-Tip Deck Length: 11'8 5/16" (356.39 cm)

Max Width: 26 3/8" (66.92 cm)

Max Thickness: 4 3/4" (12.07 cm)

Displacement: 6.70 ft³ (189.7 L)

ROCKER

THICKNESS

WIDTH

8 3/8" / 21.27 cm

6 1/4" / 15.86 cm

4 5/8" / 11.74 cm

3 5/16" / 8.41 cm

2 3/8" / 8.57 cm

1 1/8" / 2.86 cm

3/8" / 0.95 cm

5/16" / 0.79 cm

3/4" / 1.91 cm

1 3/8" / 3.49 cm

1 3/4" / 4.45 cm

2 1/4" / 5.72 cm

2 7/8" / 7.30 cm

3 9/16" / 9.05 cm

1 15/16" / 4.92 cm

2 3/8" / 6.03 cm

2 13/16" / 7.14 cm

3 3/16" / 8.10 cm

3 5/8" / 9.21 cm

4 1/8" / 10.48 cm

4 1/2" / 11.43 cm

4 3/4" / 12.07 cm

4 3/8" / 11.10 cm

4" / 10.16 cm

3 1/2" / 8.89 cm

3 3/16" / 8.10 cm

2 7/8" / 7.30 cm

2 1/2" / 6.35 cm

2 1/8" / 5.40 cm

6"

12"

18"

24"

36"

48"

Center

48"

36"

24"

18"

12"

6"

6 1/2" / 16.51 cm

13" / 33.02 cm

17 1/16" / 43.34 cm

20" / 50.80 cm

22 1/16" / 56.04 cm

24 5/8" / 62.55 cm

25 15/16" / 65.88 cm

26 3/8" / 66.99 cm

24 7/8" / 63.18 cm

23" / 58.92 cm

20 3/8" / 51.75 cm

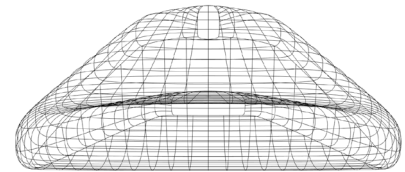
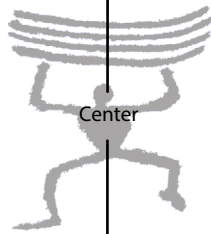
18 3/8" / 46.67 cm

15 15/16" / 40.48 cm

12 13/16" / 32.54 cm

8 1/4" / 20.96 cm

USBlanks™
SOLARMADE
IN THE USA



The 11'8"BG is the big brother to the 10'8"BG and was designed and built by Eric Arakawa & Pat Rawson. "The original plan was to build a combo 'Big Guy'/'Gun Blank' ala 'BG', that could be offset-cut narrower for performance Guns, but have a built-in wider stock width suitable for many different options. The 9'3"A was used as a conceptual starting point, and the bottom and deck contours are fairly flat in the stringer area to enable ordering an offset cut to net a narrower version (23.5-24") without the normal peak at the stringer that more contoured blanks can produce when narrowing by 2-3" The rocker is universal and the Natural Rocker should offer many design opportunities, due to the ample thickness in the nose and tail areas.

PAT RAWSON



Our proprietary bead and revolutionary molding and production techniques have allowed us to develop a surfboard specific product that is superior to any other EPS foam on the market today. Our Superfused EPS technology allows us to achieve superior bead fusion, consistency and quality. Combined with our progressive mold designs, we have taken epoxy board building to a whole new level.

Unlike most other EPS manufacturers, our blanks are shape molded under extreme pressure. This allows for superior penetration and bead fusion during the molding process that cannot be achieved in block molding. Combined with our proprietary bead and industry leading production techniques, our process generates fusion characteristics that simply cannot be achieved through other methods. The tight fusion means the foam is considerably more air tight and water tight than any of its predecessors thus eliminating the need for taping or spackling before machining, or spackling / seal coating before glassing. As a result it glasses up lighter and stronger as it absorbs less resin but maintains a superior mechanical bond due to its incredible surface properties.

Our shape molded blanks result in less work for the shaper as our outlines, rockers, and crowned decks allow the craftsman to zero in on the finished shape much more quickly and easily. Our molding capabilities also allow us to produce each blank size in different thicknesses which means you can choose the blank that best suits your shape while cutting down on shaping time and waste.

Due to the incredible strength and memory characteristics of EPS foam many shapers have experienced “spring back” problems in the past when applying forced rocker adjustments to this particular type of foam. By not applying any post induced surface tensions we have eliminated these known “spring back” problems. We accomplish this by starting with an excellent rocker along with increased volume in the nose and tail areas allowing the shaper to accommodate proprietary custom rocker configurations without having to make physical adjustments during the glue up process.

Another extremely important aspect of shape molding is the fact that it cuts down on waste and all EPS scraps are 100% recyclable. Please do your part and check with your local city to see if they offer a recycling program which you can participate in.

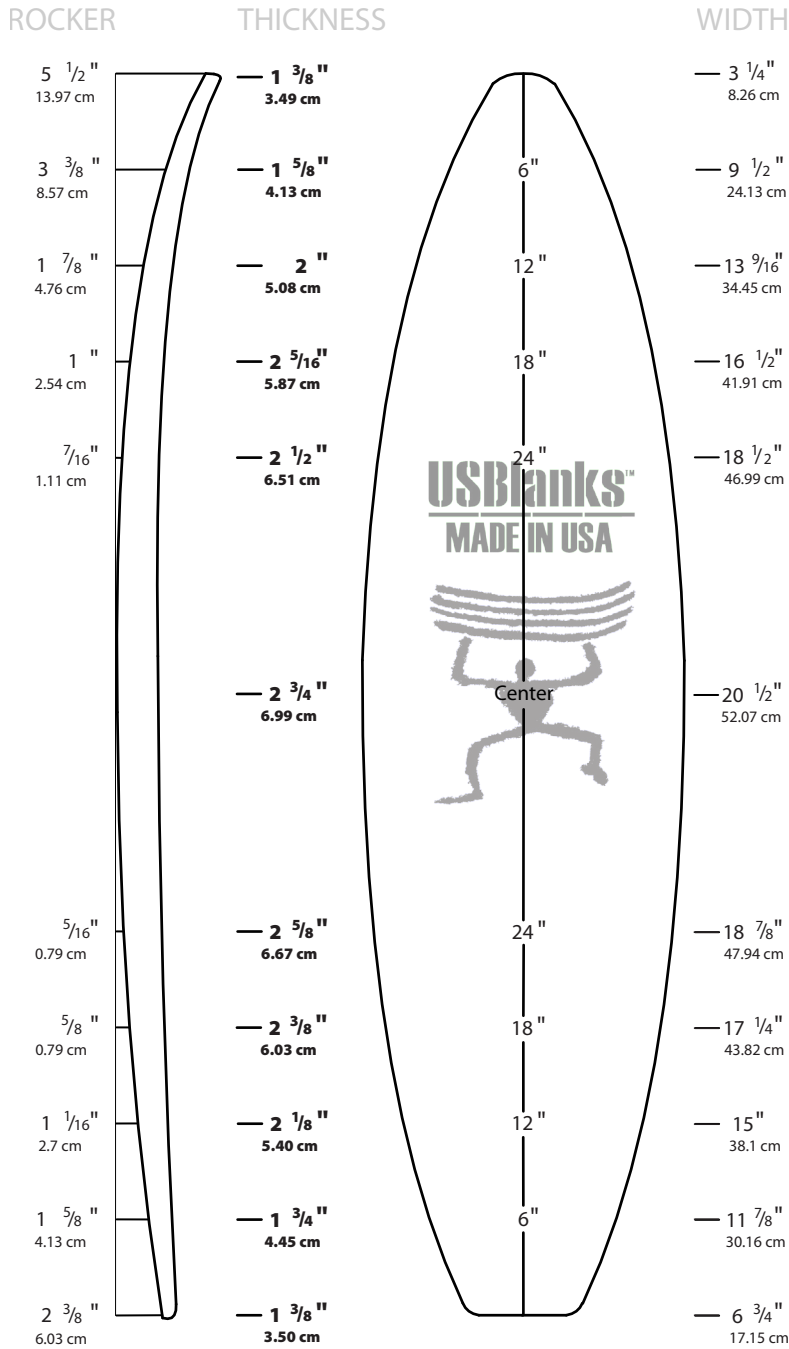
All sizes are offered in both 1.5 pcf and 2.0 pcf densities. Combined with our variable thickness capabilities, US Blanks SUPERFUSED EPS has quickly become the most user friendly, versatile, industry leading EPS on the market, and has set a new standard world wide.

SUPERFUSED

6'5" EPS

Designed by
ERIC ARAKAWA

Introduced: October 2007



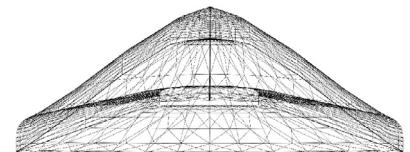
Overall Bottom Length: 6'5 13/16" (197.64 cm)

Tip-to-Tip Deck Length: 6'4 13/16" (195.10 cm)

Max Width: 20 3/8" (51.75 cm)

Max Thickness: 2 3/4" (6.99 cm)

Available Densities: 1.5 PCF & 2.0 PCF



"This blank is designed for high-performance Shortboards up to 20-1/4" in width. At 2-3/4" thick, it remains versatile and will accept subtle rocker adjustments from center."

ERIC ARAKAWA

SUPERFUSED

6'5" X EPS

Designed by

ERIC ARAKAWA

Introduced: October 2007

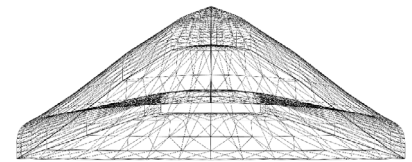
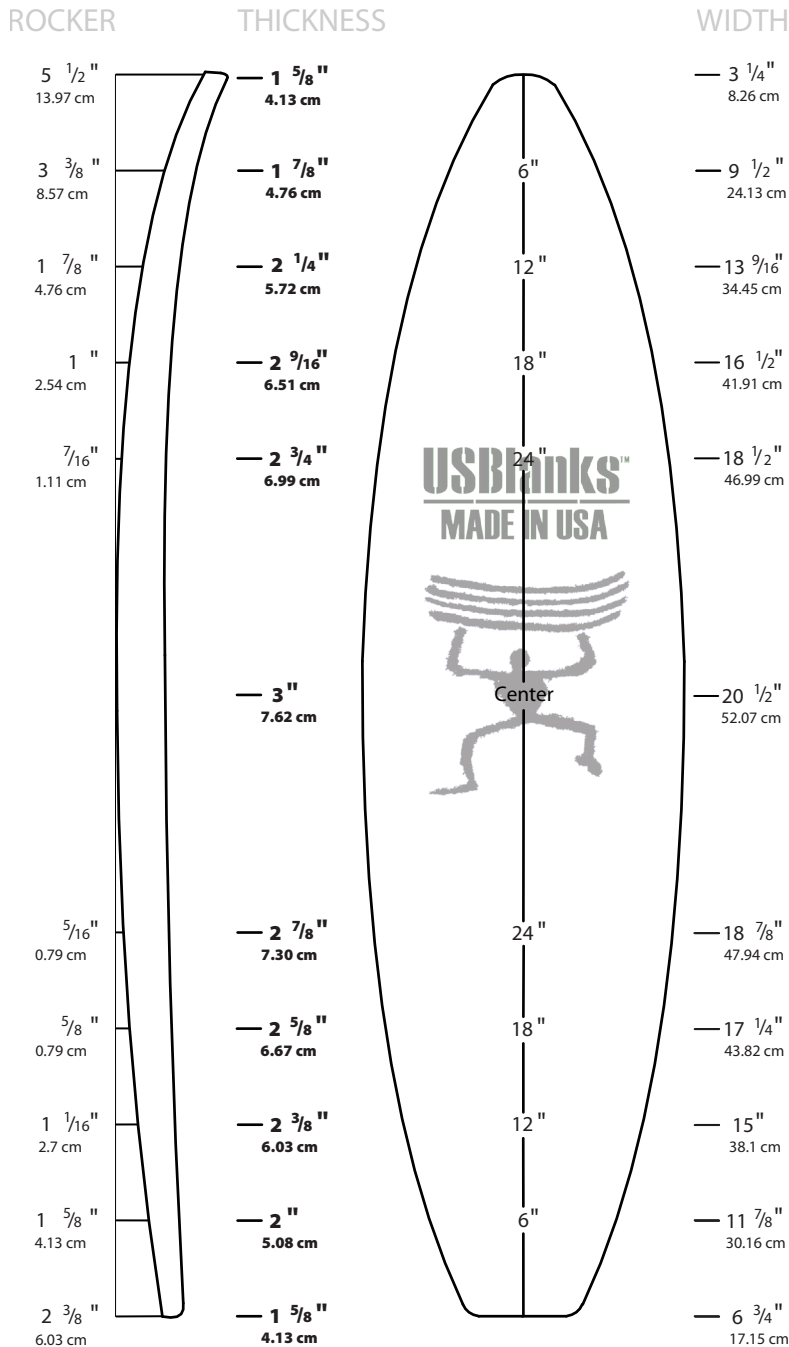
Overall Bottom Length: 6'5 ^{13/16}" (197.64 cm)

Tip-to-Tip Deck Length: 6'4 ^{13/16}" (195.10 cm)

Max Width: 20 ^{3/8}" (51.75 cm)

Max Thickness: 3" (7.62 cm)

Available Densities: 1.5 PCF & 2.0 PCF



" At 3" max thickness, this blank is identical to the previous version with 1/4" additional thickness along the entire length. Designed for high-performance Shortboards up to 20-1/4" in width, and will also accommodate small Fish models due to the extra thickness. An ideal blank for machine shaping."

ERIC ARAKAWA

SUPERFUSED

6'8" EPS

Designed by
ERIC ARAKAWA

Introduced: February 2008

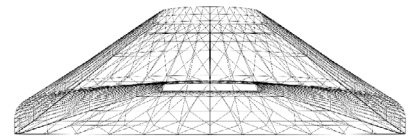
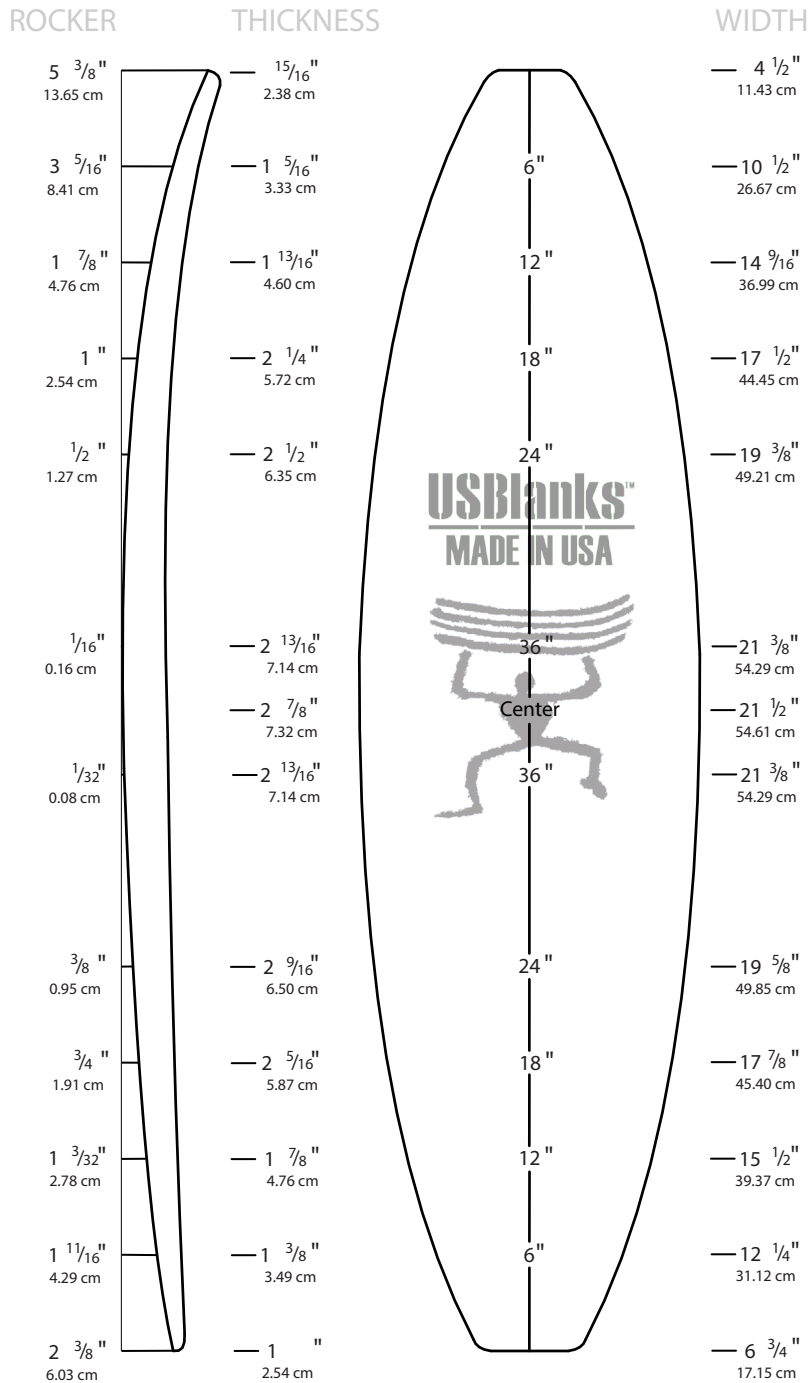
Overall Bottom Length: 6'9" (205.74 cm)

Tip-to-Tip Deck Length: 6'8" (203.20 cm)

Max Width: 21 ⁷/₁₆" (54.45 cm)

Max Thickness: 2 ⁷/₈" (7.30 cm)

Available Densities: 1.5 PCF & 2.0 PCF



“Designed for versatility to accommodate a wide range of board styles from Fishes to Big Guy Shortboards. The manufacturing process ensures uniform density and fusion throughout, thus allowing the shaper to use the maximum width of the blank if necessary. A close tolerance version to yield a quick shape and generate less waste.”

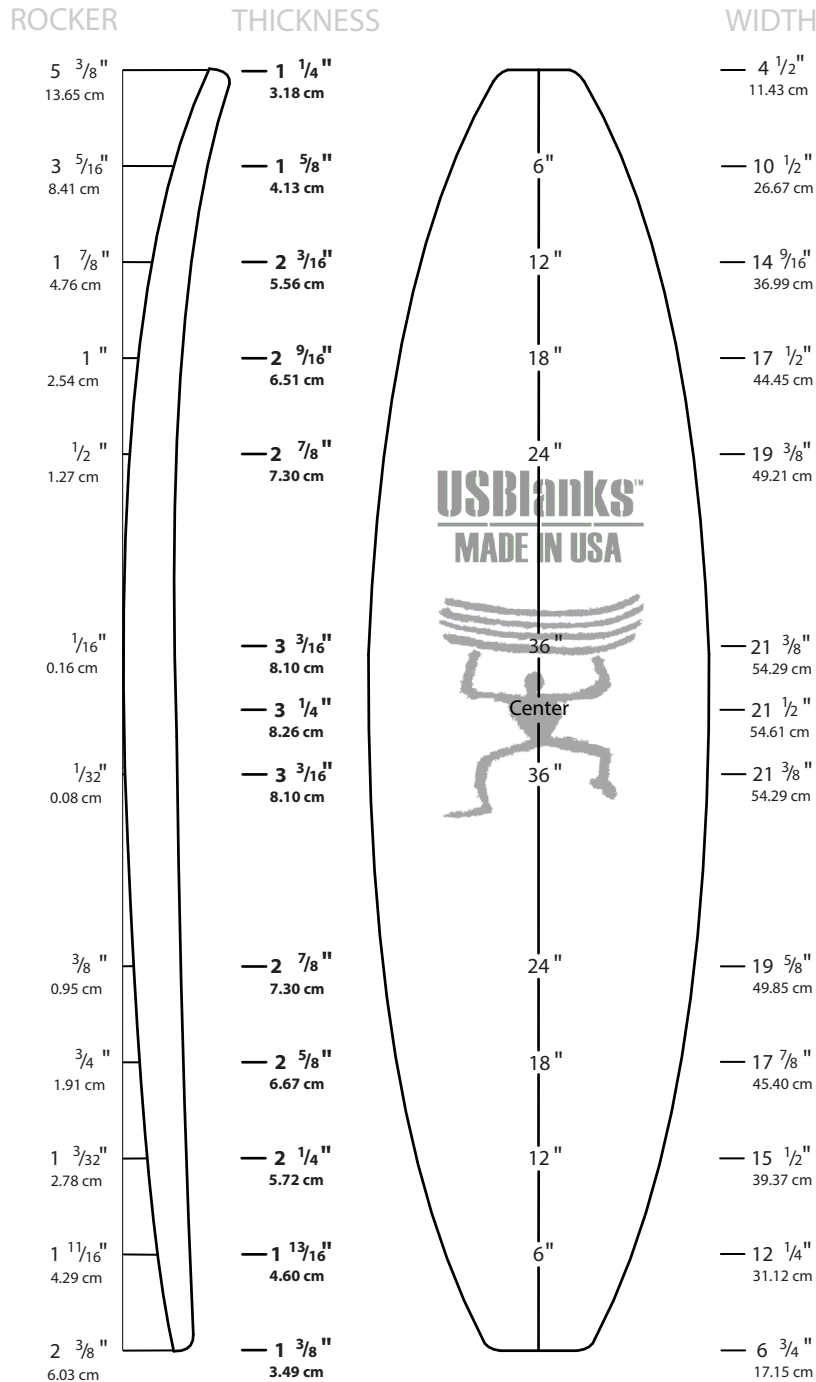
ERIC ARAKAWA

SUPERFUSED

6'8" X EPS

Designed by
ERIC ARAKAWA

Introduced: April 2007



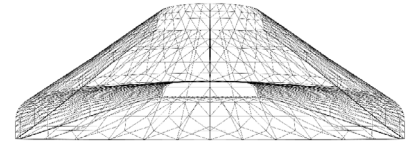
Overall Bottom Length: 6'9" (205.74 cm)

Tip-to-Tip Deck Length: 6'8" (203.20 cm)

Max Width: 21 7/16" (54.45 cm)

Max Thickness: 3 1/4" (8.57 cm)

Available Densities: 1.5 PCF & 2.0 PCF



"The 'X' is the maximum volume version of the 6'8" Superfused EPS. Designed for versatility to accommodate a wide range of board styles from Fishes to Big Guy Shortboards. The manufacturing process ensures uniform density and fusion throughout, thus allowing the shaper to use the maximum width of the blank if necessary. A close tolerance version to yield a quick shape and generate less waste."

ERIC ARAKAWA

SUPERFUSED

7'2" EPS

Designed by
ERIC ARAKAWA

Introduced: October 2008

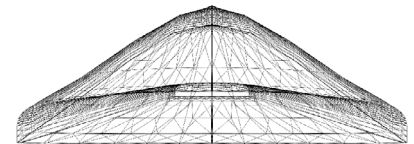
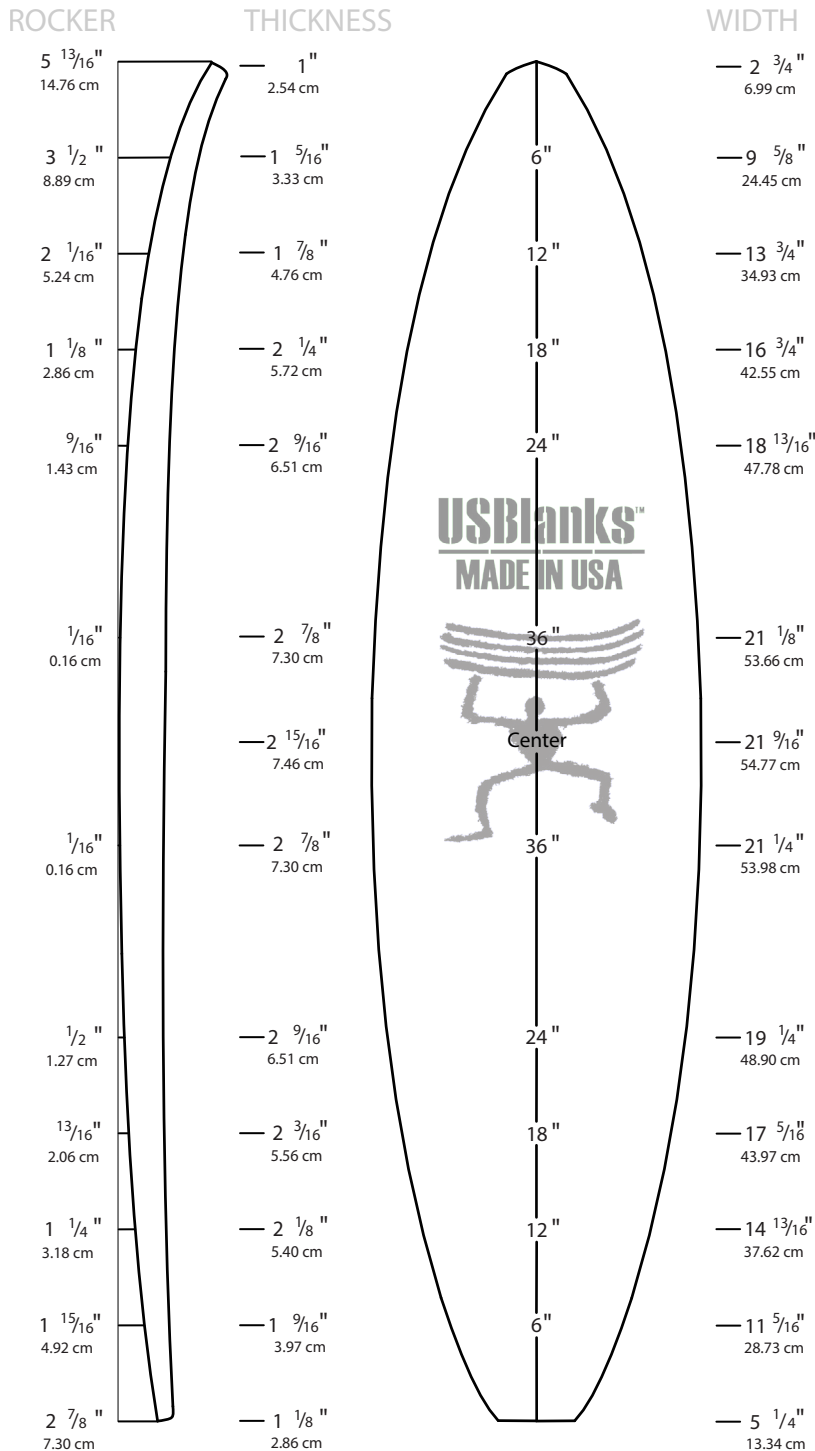
Overall Bottom Length: 7'2 3/4" (220.35 cm)

Tip-to-Tip Deck Length: 7'1 3/4" (217.81 cm)

Max Width: 21 9/16" (54.77 cm)

Max Thickness: 2 15/16" (7.46 cm)

Available Densities: 1.5 PCF & 2.0 PCF



"Designed for high-performance semi-Guns. The added volume in the nose and tail will accommodate a wide variety of rockers."

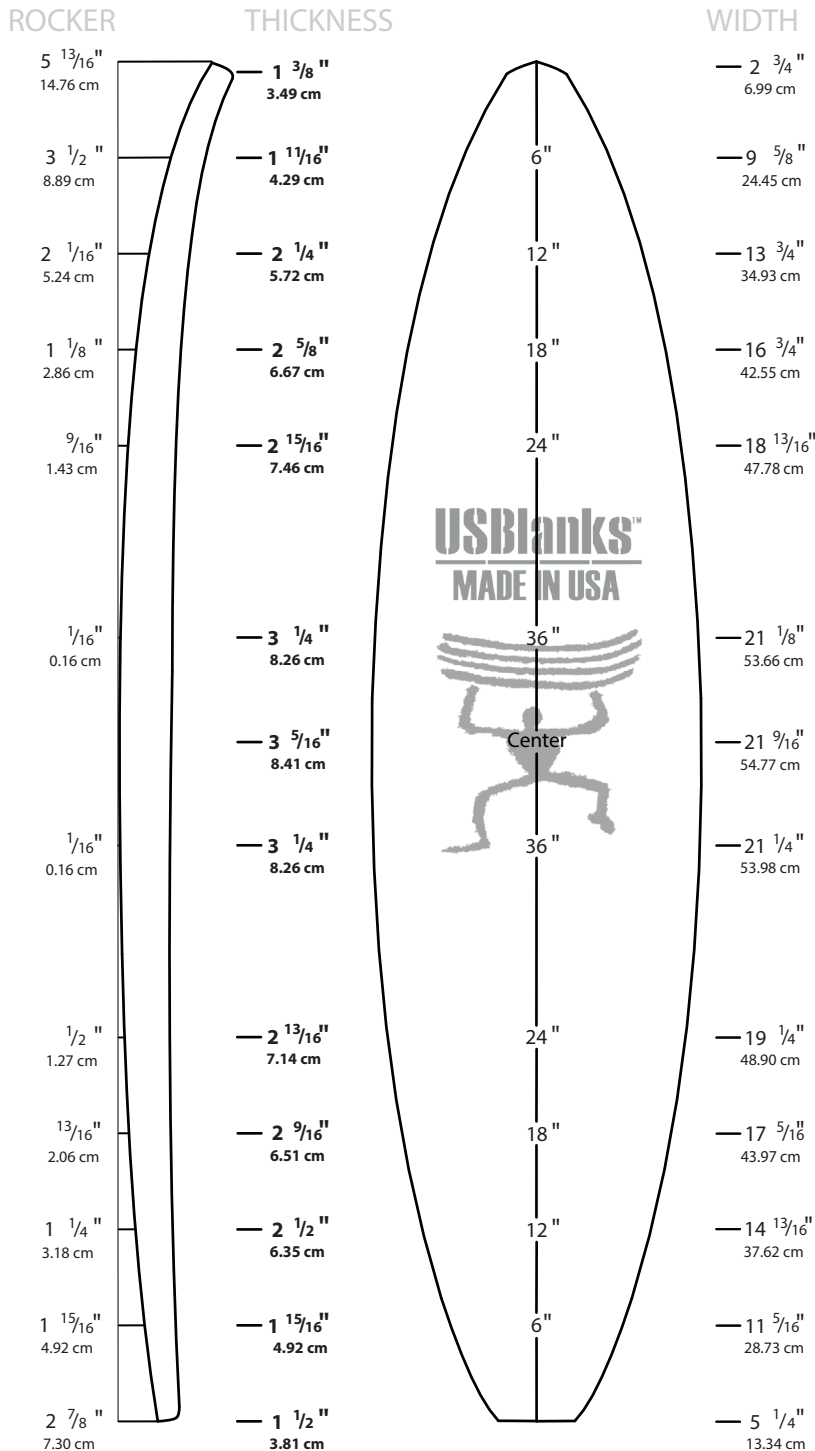
ERIC ARAKAWA

SUPERFUSED

7'2" X EPS

Designed by
ERIC ARAKAWA

Introduced: June 2007



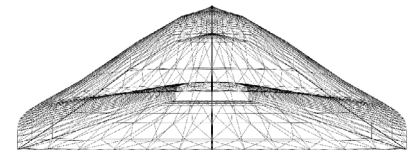
Overall Bottom Length: 7'2 3/4" (220.35 cm)

Tip-to-Tip Deck Length: 7'1 3/4" (217.81 cm)

Max Width: 21 9/16" (54.77 cm)

Max Thickness: 3 5/16" (8.41 cm)

Available Densities: 1.5 PCF & 2.0 PCF



"This 'X' version is the maximum volume version of the 7'2" Superfused EPS. Designed for high-performance semi-Guns. The added volume in the nose and tail will accommodate a wide variety of rockers."

ERIC ARAKAWA

SUPERFUSED

7'8" EPS

Designed by

ERIC ARAKAWA

Introduced: March 2009

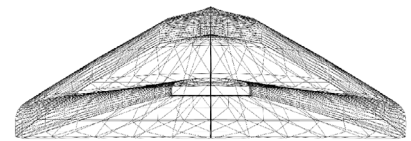
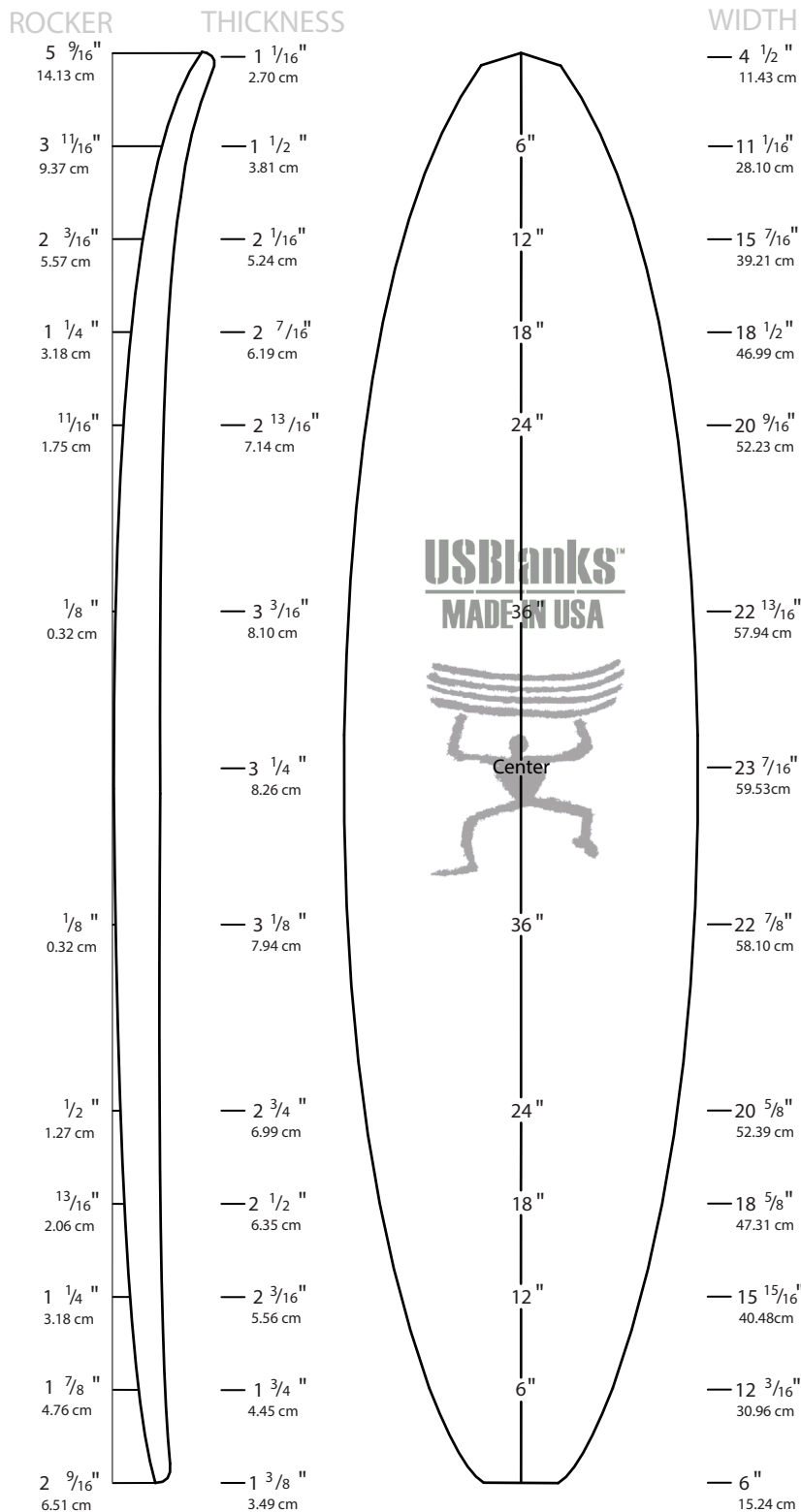
Overall Bottom Length: 7'9" (236.22 cm)

Tip-to-Tip Deck Length: 7'7 7/8" (233.36 cm)

Max Width: 23 1/4" (59.06 cm)

Max Thickness: 3 1/4" (8.26 cm)

Available Densities: 1.5 PCF & 2.0 PCF



"This is a multi-purpose blank which can be used for Funboards, big-guy boards and Guns. The extra volume will accommodate a wide variety of rocker configurations."

ERIC ARAKAWA

SUPERFUSED

7'8" X EPS

Designed by

ERIC ARAKAWA

Introduced: June 2007

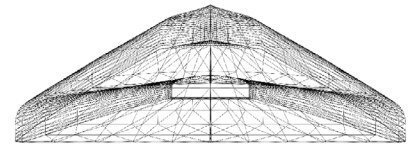
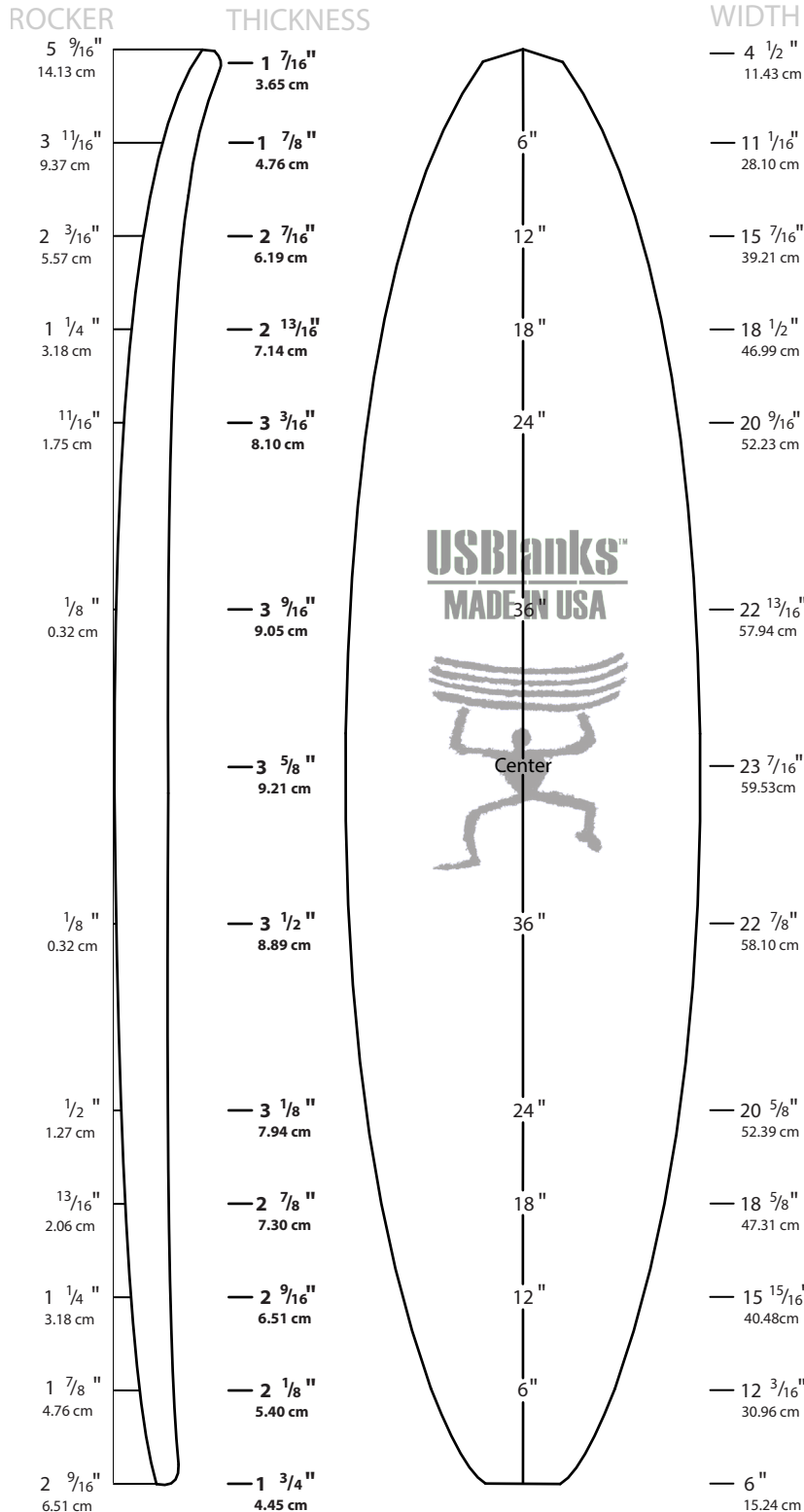
Overall Bottom Length: 7'9" (236.22 cm)

Tip-to-Tip Deck Length: 7'7 7/8" (233.36 cm)

Max Width: 23 1/4" (59.06 cm)

Max Thickness: 3 5/8" (9.21 cm)

Available Densities: 1.5 PCF & 2.0 PCF



"This is a multi-purpose blank which can be used for Funboards, big-guy boards and Guns. The extra volume will accommodate a wide variety of rocker configurations."

ERIC ARAKAWA

SUPERFUSED

8'8" EPS

Designed by

RENNY YATER

Introduced: March 2009

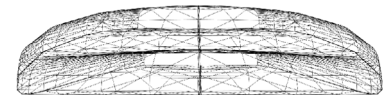
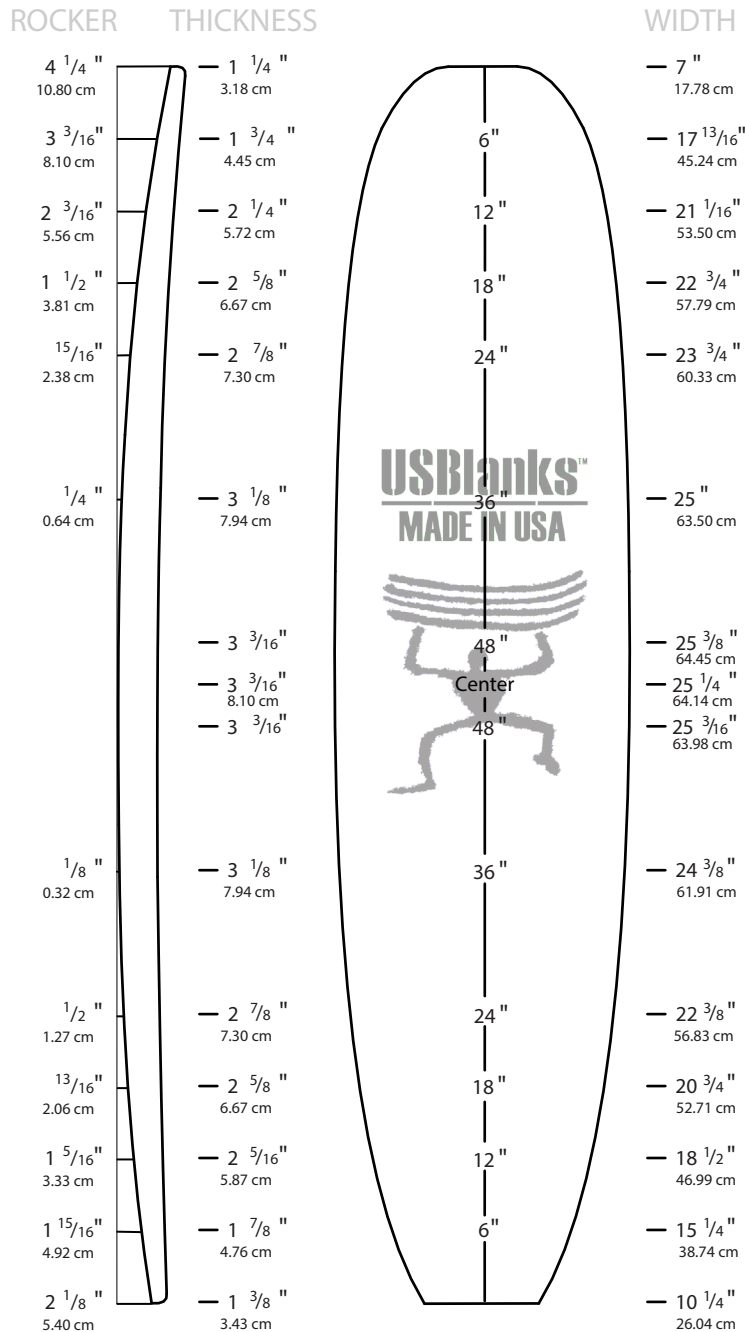
Overall Bottom Length: 8'7 7/8" (263.84 cm)

Tip-to-Tip Deck Length: 8'7" (261.62 cm)

Max Width: 25 1/4" (64.14 cm)

Max Thickness: 3 3/16" (8.10 cm)

Available Densities: 1.5 PCF & 2.0 PCF



"This blank is a scaled down version of the 9'8" Superfused EPS. The goal was to design an EPS mold plug that would accommodate any Longboard shape program in the 7'10" to 8'6" range for machine cutting purposes. After analyzing our rocker template database we came up with a 'middle of the road' rocker profile and added thickness to the nose and tail to allow for straight to extreme rocker profiles. The plan shape and width have also been maximized This blank is offered in 2 thicknesses to accommodate both machine shaping and hand shaping."

RENNY YATER

SUPERFUSED

8'8" X EPS

Designed by

RENNY YATER

Introduced: December 2014

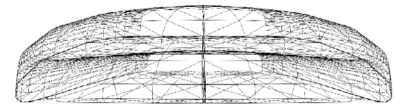
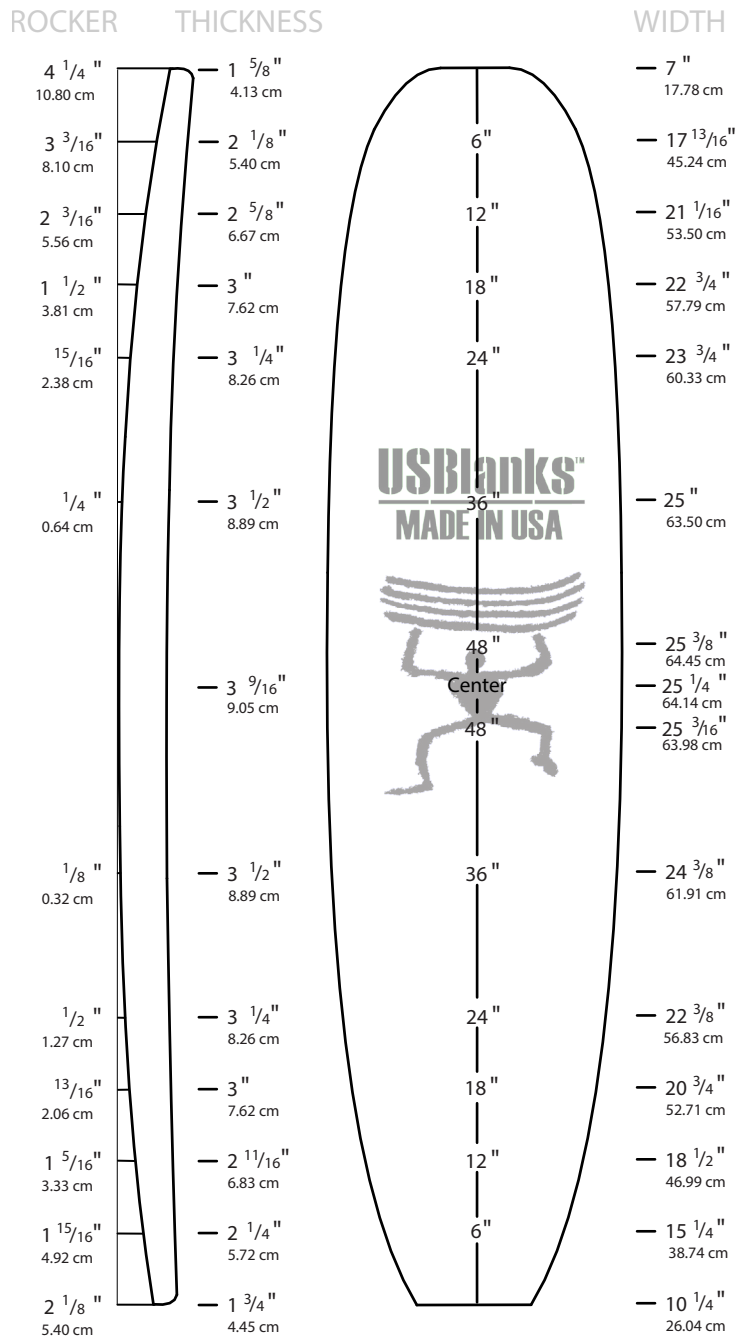
Overall Bottom Length: 8'7 7/8" (263.84 cm)

Tip-to-Tip Deck Length: 8'7" (261.62 cm)

Max Width: 25 1/4" (64.14 cm)

Max Thickness: 3 9/16" (9.05 cm)

Available Densities: 1.5 PCF & 2.0 PCF



"The maximum volume version of the 8'8". This blank is a scaled down version of the 9'8" Superfused EPS. The goal was to design an EPS mold plug that would accommodate any Longboard shape program in the 7'10" to 8'6" range for machine cutting purposes. After analyzing our rocker template database we came up with a 'middle of the road' rocker profile and added thickness to the nose and tail to allow for straight to extreme rocker profiles. The plan shape and width have also been maximized This blank is offered in 2 thicknesses to accommodate both machine shaping and hand shaping."

RENNY YATER

SUPERFUSED

9'8" EPS

Designed by

RENNY YATER

Introduced: December 2007

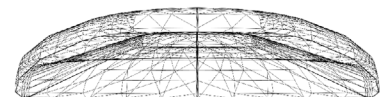
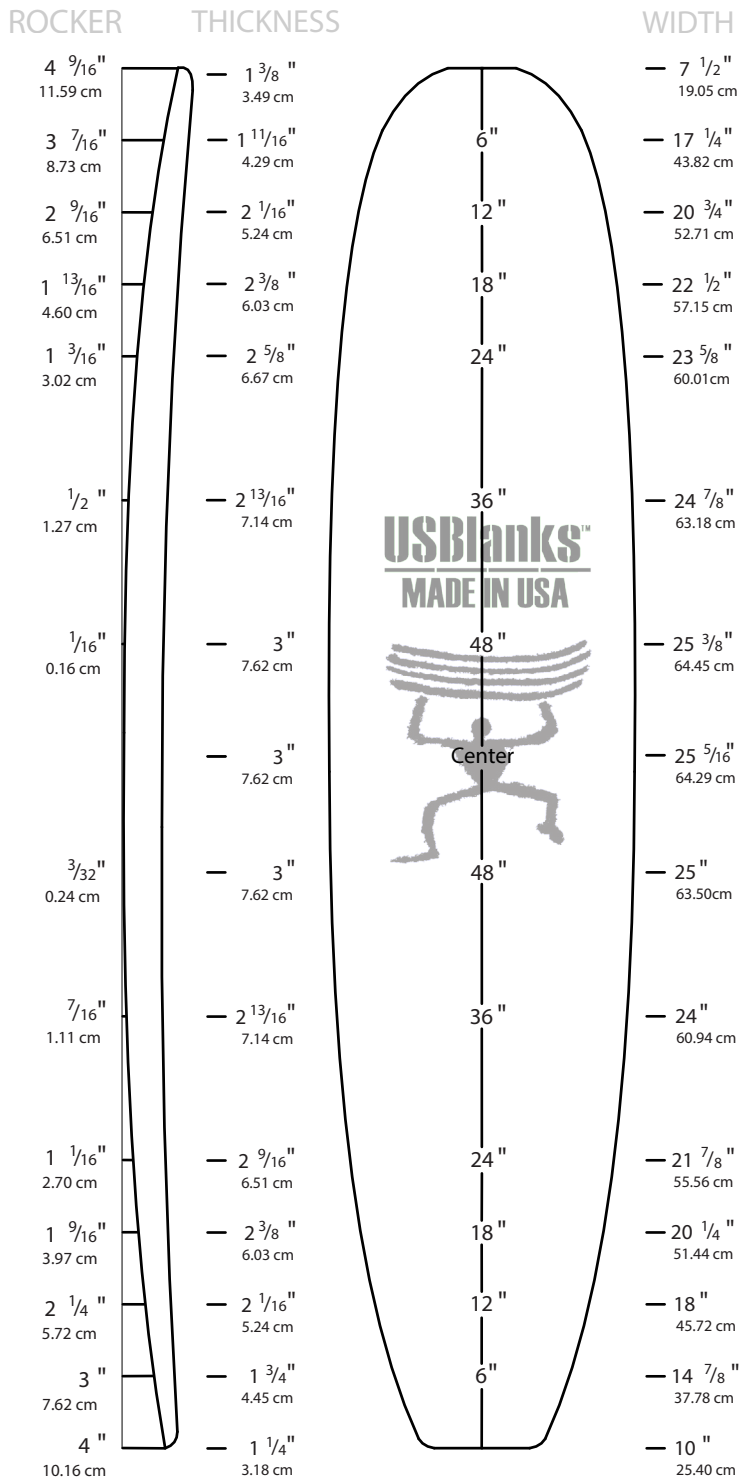
Overall Bottom Length: 9'8" (274.32 cm)

Tip-to-Tip Deck Length: 9'7 1/4" (274.96 cm)

Max Width: 25 1/4" (64.14 cm)

Max Thickness: 3" (7.62 cm)

Available Densities: 1.5 PCF & 2.0 PCF



"This blank is the result of input by several people within the surfboard manufacturing industry. The goal was to design an EPS mold plug that would accommodate any Longboard shape program in the 8'10" to 9'6" range for machine cutting purposes. After analyzing all the rocker templates in our database we came up with a 'middle of the road' rocker profile and added thickness to the nose and tail to allow for straight to extreme rocker profiles. The plan shape and width have also been maximized. This blank is offered in 3 different thicknesses to accommodate for both machine shaping and hand shaping. This is the minimum volume version."

RENNY YATER

SUPERFUSED

9'8" X EPS

Designed by

RENNY YATER

Introduced: December 2007

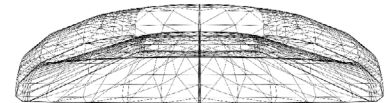
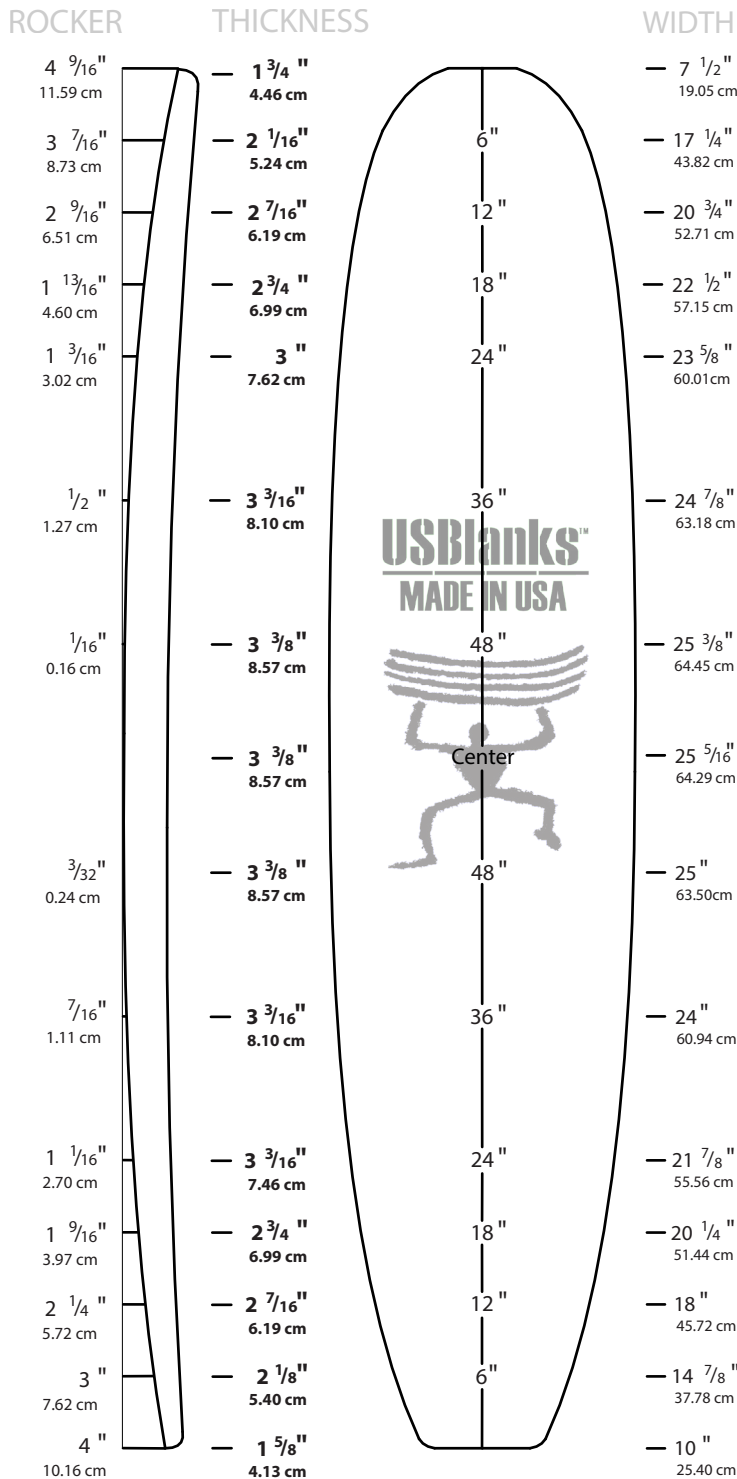
Overall Bottom Length: 9'8" (274.32 cm)

Tip-to-Tip Deck Length: 9'7 1/4" (274.96 cm)

Max Width: 25 1/4" (64.14 cm)

Max Thickness: 3 3/8" (8.57 cm)

Available Densities: 1.5 PCF & 2.0 PCF



"This blank is the result of input by several people within the surfboard manufacturing industry. The goal was to design an EPS mold plug that would accommodate any Longboard shape program in the 8'10" to 9'6" range for machine cutting purposes. After analyzing all the rocker templates in our database we came up with a 'middle of the road' rocker profile and added thickness to the nose and tail to allow for straight to extreme rocker profiles. The plan shape and width have also been maximized. This blank is offered in 3 different thicknesses to accommodate for both machine shaping and hand shaping. This is the medium volume version."

RENNY YATER

SUPERFUSED 9'8" XXEPS

Designed by

RENNY YATER

Introduced: December 2007

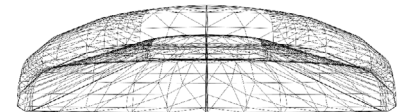
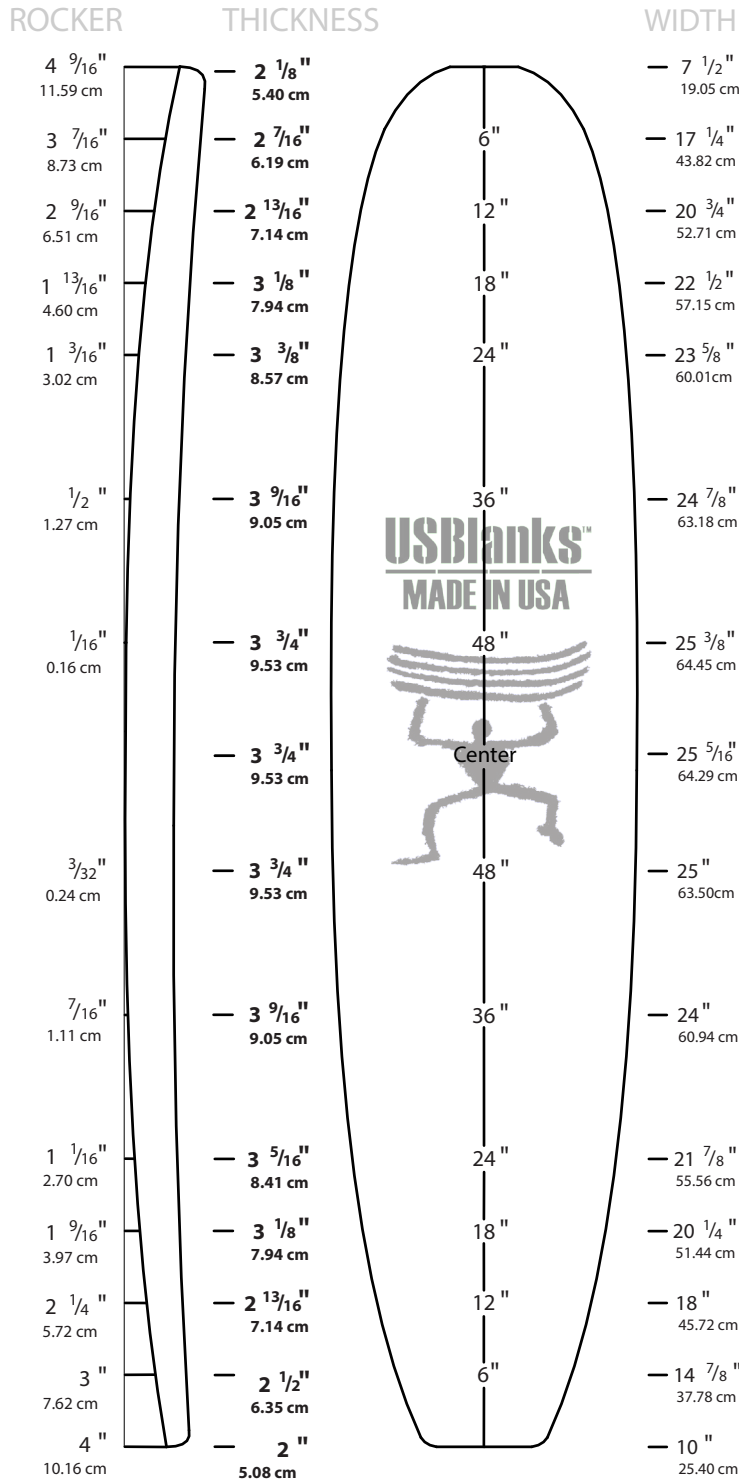
Overall Bottom Length: 9'8" (274.32 cm)

Tip-to-Tip Deck Length: 9'7 1/4" (274.96 cm)

Max Width: 25 1/4" (64.14 cm)

Max Thickness: 3 3/4" (9.53 cm)

Available Densities: 1.5 PCF & 2.0 PCF



"This blank is the result of input by several people within the surfboard manufacturing industry. The goal was to design an EPS mold plug that would accommodate any Longboard shape program in the 8'10" to 9'6" range for machine cutting purposes. After analyzing all the rocker templates in our database we came up with a 'middle of the road' rocker profile and added thickness to the nose and tail to allow for straight to extreme rocker profiles. The plan shape and width have also been maximized. This blank is offered in 3 different thicknesses to accommodate for both machine shaping and hand shaping. This is the maximum volume version."

RENNY YATER

BLOCK-CUT EPS

Manufactured from *White Hot Surfboard Foam* billets and available in 1.5 pcf or 2.0 pcf density. Every PU blank in this catalog is also available as Block-Cut EPS. Custom cut blanks are also available. Below is a list of the blanks that we stock.

BLANK	GENRE - DESIGNER	STANDARD STRINGER	LENGTH	WIDTH	NOSE ROCKER	TAIL ROCKER	CENTER THICK.	NOSE THICK.	TAIL THICK.
6'0"P	Shortboard - Patterson	Ply	73.00	20.06	4.63	1.69	2.38	0.88	1.06
6'2"A	Fish - Rawson	Ply	74.25	23.50	4.75	1.81	3.15	1.35	1.45
6'3"RS	Shortboard - Rusty	Ply	75.00	21.00	4.87	2.00	2.62	1.25	1.37
6'3"RSX	Shortboard - Rusty	Ply	75.00	21.00	4.87	2.00	2.90	1.50	1.65
6'3"WH	Shortboard - Rusty	Ply	75.75	20.60	5.60	1.73	2.75	1.40	1.50
6'3"WHX	Shortboard - Rusty	Ply	75.75	20.60	5.60	1.73	3.15	1.75	1.87
6'5"A	Fish - Rawson	Ply	77.25	23.50	5.25	1.81	3.35	1.13	1.38
6'8"WH	Shortboard - Rusty	Ply	79.00	21.75	5.25	2.34	2.88	1.15	1.25
6'8"WHX	Shortboard - Rusty	Ply	79.00	21.75	5.25	2.34	3.50	1.75	1.85
6'9"RS	Shortboard - Rusty	Ply	81.00	22.00	5.81	2.40	2.87	1.75	1.25
6'9"RSX	Shortboard - Rusty	Ply	81.00	22.00	5.81	2.40	3.18	1.50	1.50
6'10"A	Fish - Rawson	Ply	81.67	24.13	5.19	2.00	3.50	1.38	1.65
7'3"A	Fish - Rawson	1/8" Bass	87.04	24.11	5.50	2.13	3.63	1.38	1.50
7'5"A	Shortboard - Rawson	1/8" Bass	87.96	22.06	6.13	2.19	3.00	0.88	1.38
8'1"EA	Shortboard - Arakawa	1/8" Bass	96.05	24.14	6.44	2.57	3.44	1.00	1.32
9'2"A	Gun - Rawson	1/8" Bass	110.40	22.46	7.57	2.75	3.57	1.39	1.28
9'3"Y	Longboard - Yater	1/8" Bass	111.30	24.50	4.38	3.50	3.25	1.73	1.41
9'4"B	Longboard - Jones	1/8" Bass	111.44	24.50	4.88	3.63	3.25	0.90	1.32
9'8"Y	Longboard - Yater	1/8" Bass	116.40	24.50	4.50	3.69	3.63	1.45	1.55
9'9"A	Gun - Rawson	1/8" Bass	116.90	22.50	7.75	3.25	3.69	1.38	1.44
10'2"B	Longboard - Jones	1/8" Bass	122.22	24.50	4.82	3.82	3.73	1.27	1.58
9'6"A	SUP	1/8" Bass	114.00	32.00	5.25	4.25	4.93	2.25	1.25
10'0"	SUP	1/8" Bass	120.00	32.00	5.50	4.31	4.93	2.25	1.31
10'4"A	SUP	1/8" Bass	124.00	32.00	4.56	3.75	4.88	2.06	1.81
10'4"B	SUP	1/8" Bass	124.00	32.00	6.25	4.38	4.81	2.31	1.69
11'2"A	SUP	1/8" Bass	134.00	32.00	5.25	4.19	5.00	1.86	1.86
11'2"B	SUP	1/8" Bass	134.00	32.00	6.75	4.75	5.06	2.50	1.81
12'1"	SUP	1/8" Bass	145.00	32.00	6.13	3.38	5.19	2.56	2.50
12'6"A	SUP	1/8" Bass	150.00	32.00	6.31	3.50	5.50	2.86	2.75

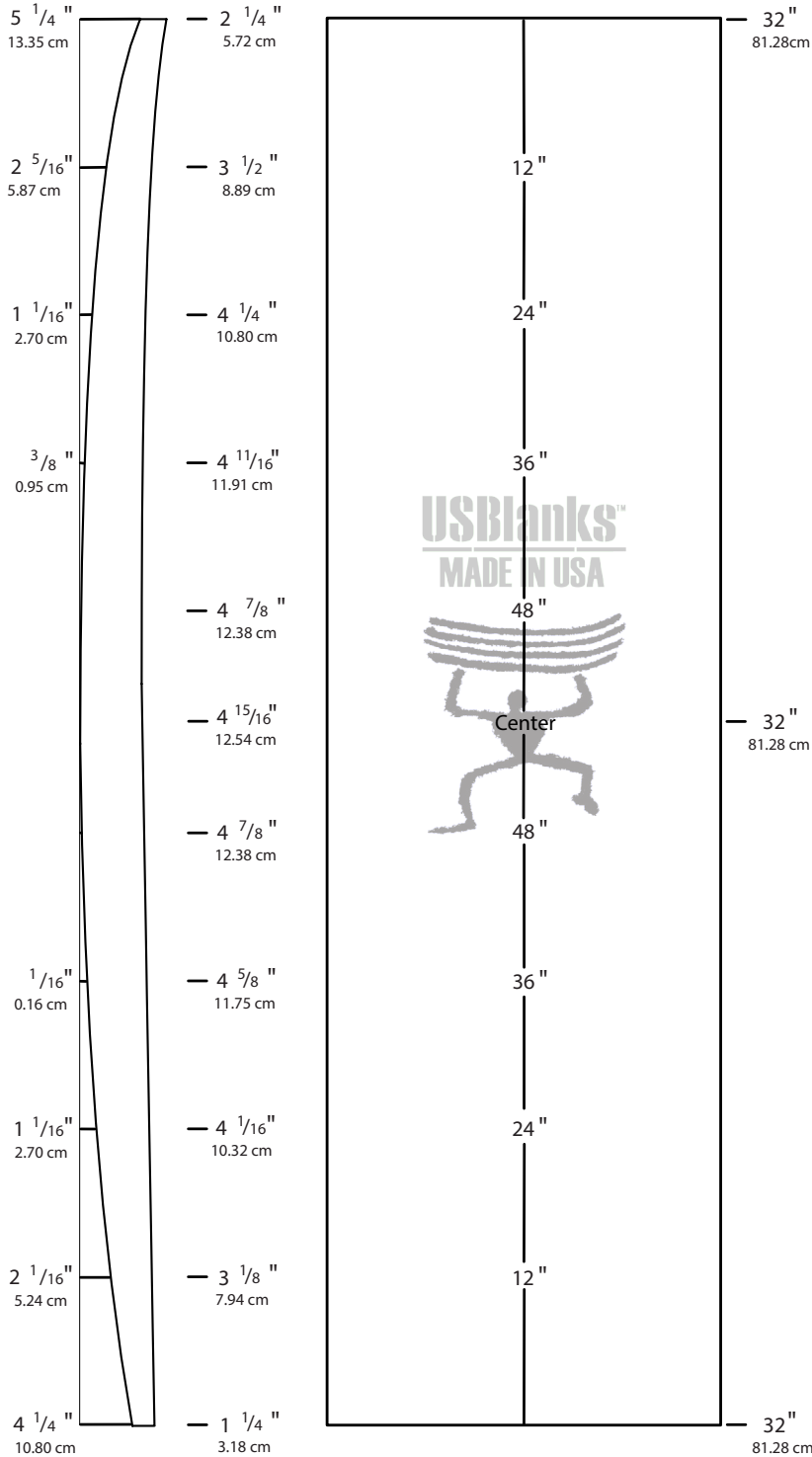
BLOCK-CUT

9'6" EPS A-SUP

ROCKER

THICKNESS

WIDTH



Introduced: January 2011

Overall Bottom Length: 9'6 5/8" (291.15 cm)

Tip-to-Tip Deck Length: 9'6" (289.56 cm)

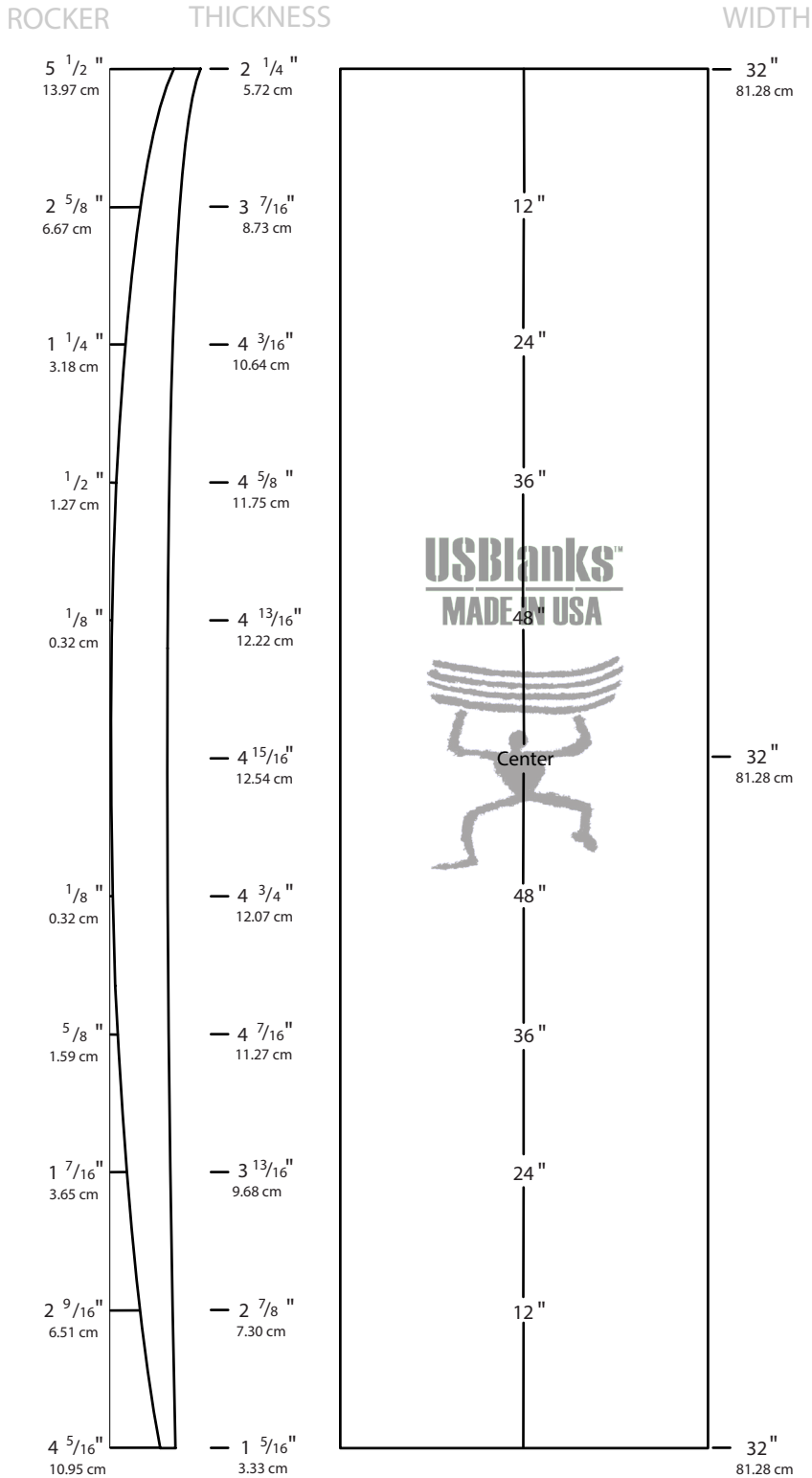
Max Width: 32" (81.28 cm)

Max Thickness: 4 15/16" (12.54 cm)

Available Densities: 1.5 PCF & 2.0 PCF

BLOCK-CUT

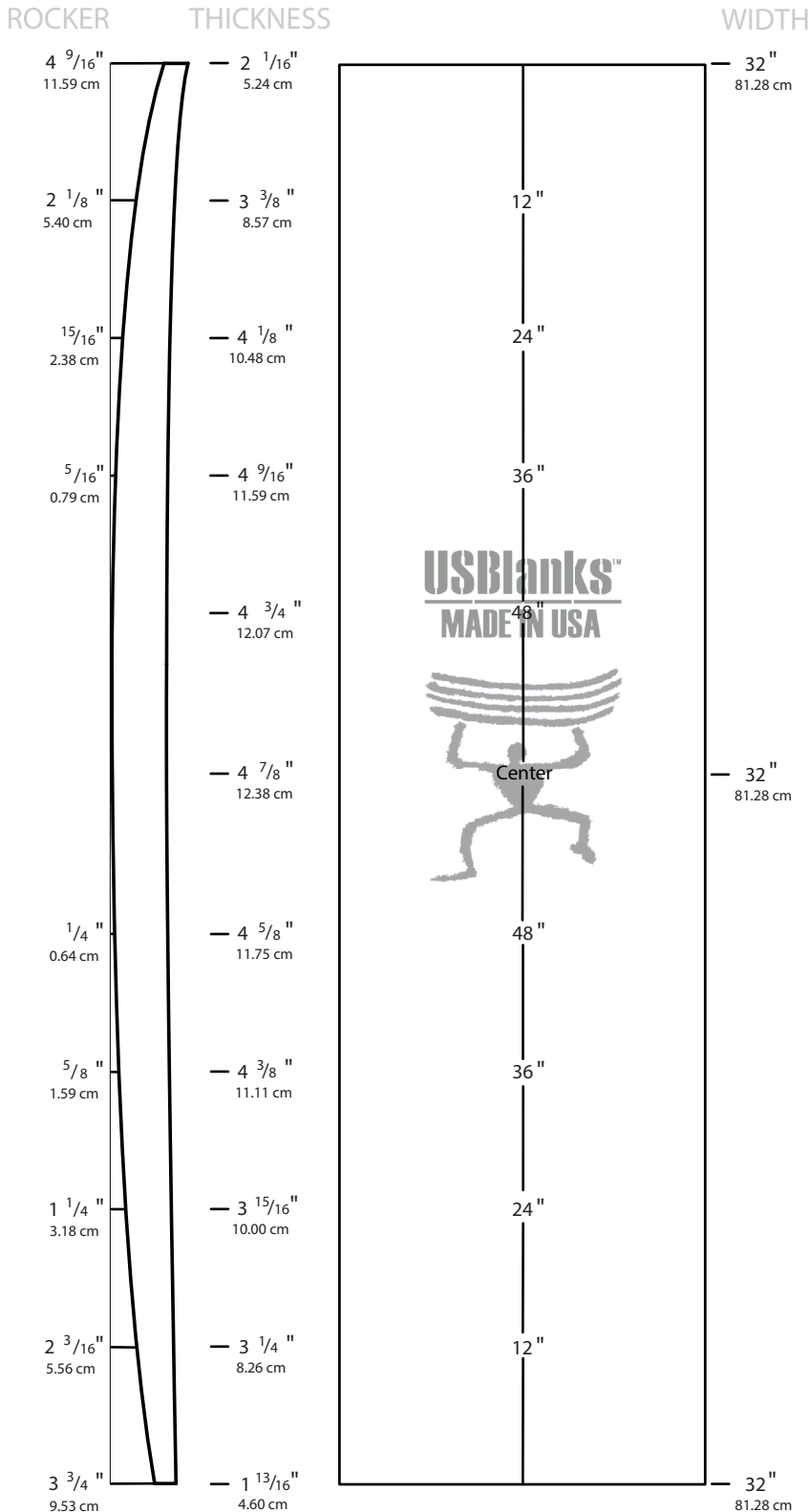
10'0" EPS A-SUP



Introduced: January 2011
Overall Bottom Length: 10'0 3/4" (306.71 cm)
Tip-to-Tip Deck Length: 10'0" (304.8 cm)
Max Width: 32" (81.28 cm)
Max Thickness: 4 15/16" (12.54 cm)
Available Densities: 1.5 PCF & 2.0 PCF

BLOCK-CUT

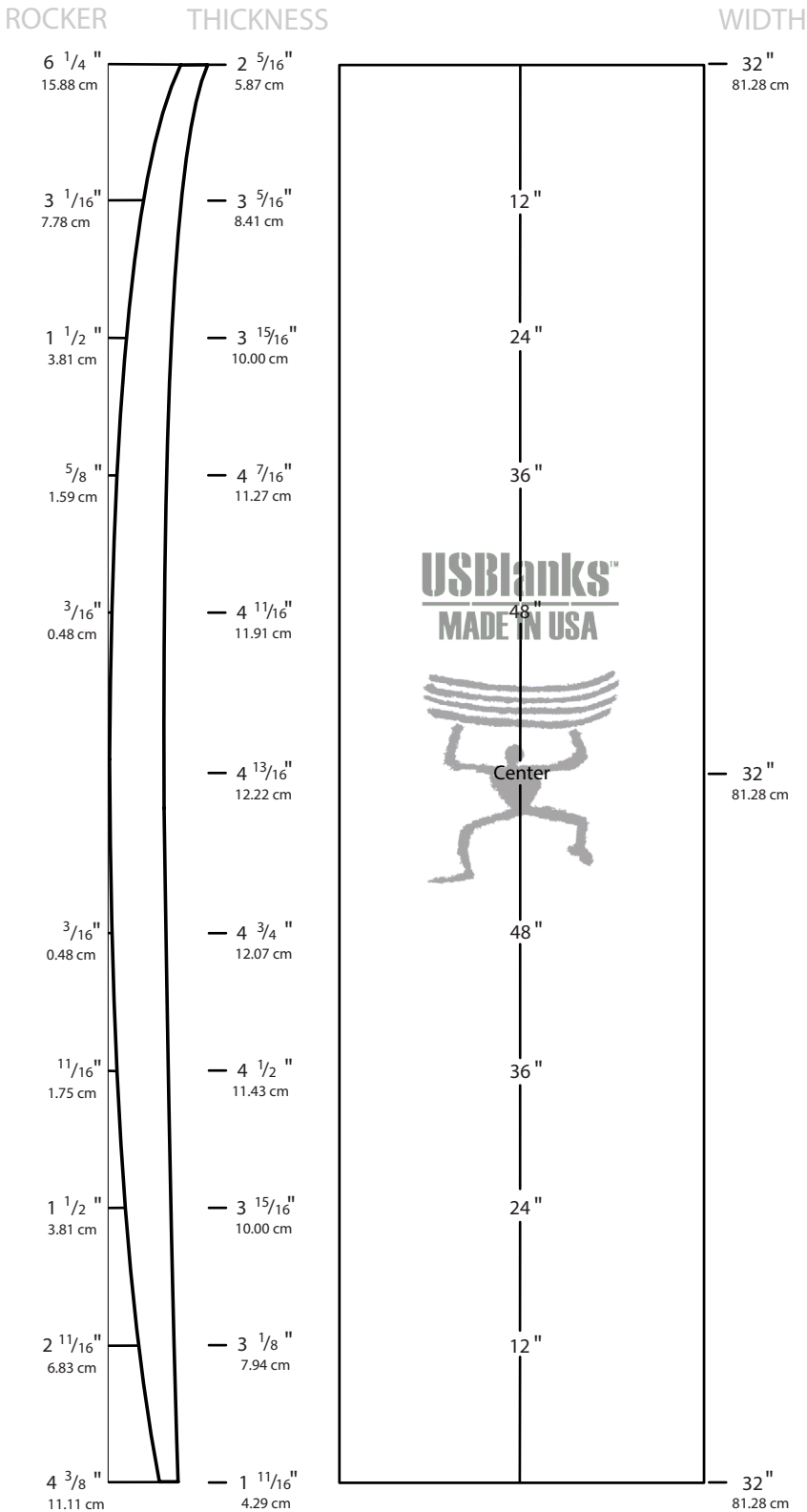
10'4" EPS A-SUP



Introduced: August 2009
Overall Bottom Length: 10'5 1/4" (318.14 cm)
Tip-to-Tip Deck Length: 10'4" (314.96 cm)
Max Width: 32" (81.28 cm)
Max Thickness: 4 7/8" (12.38 cm)
Available Densities: 1.5 PCF & 2.0 PCF

BLOCK-CUT

10'4" EPS B-SUP



Introduced: August 2009

Overall Bottom Length: 10'5 1/4" (318.14 cm)

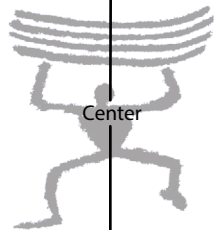
Tip-to-Tip Deck Length: 10'4" (314.96 cm)

Max Width: 32" (81.28 cm)

Max Thickness: 4 13/16" (12.22 cm)

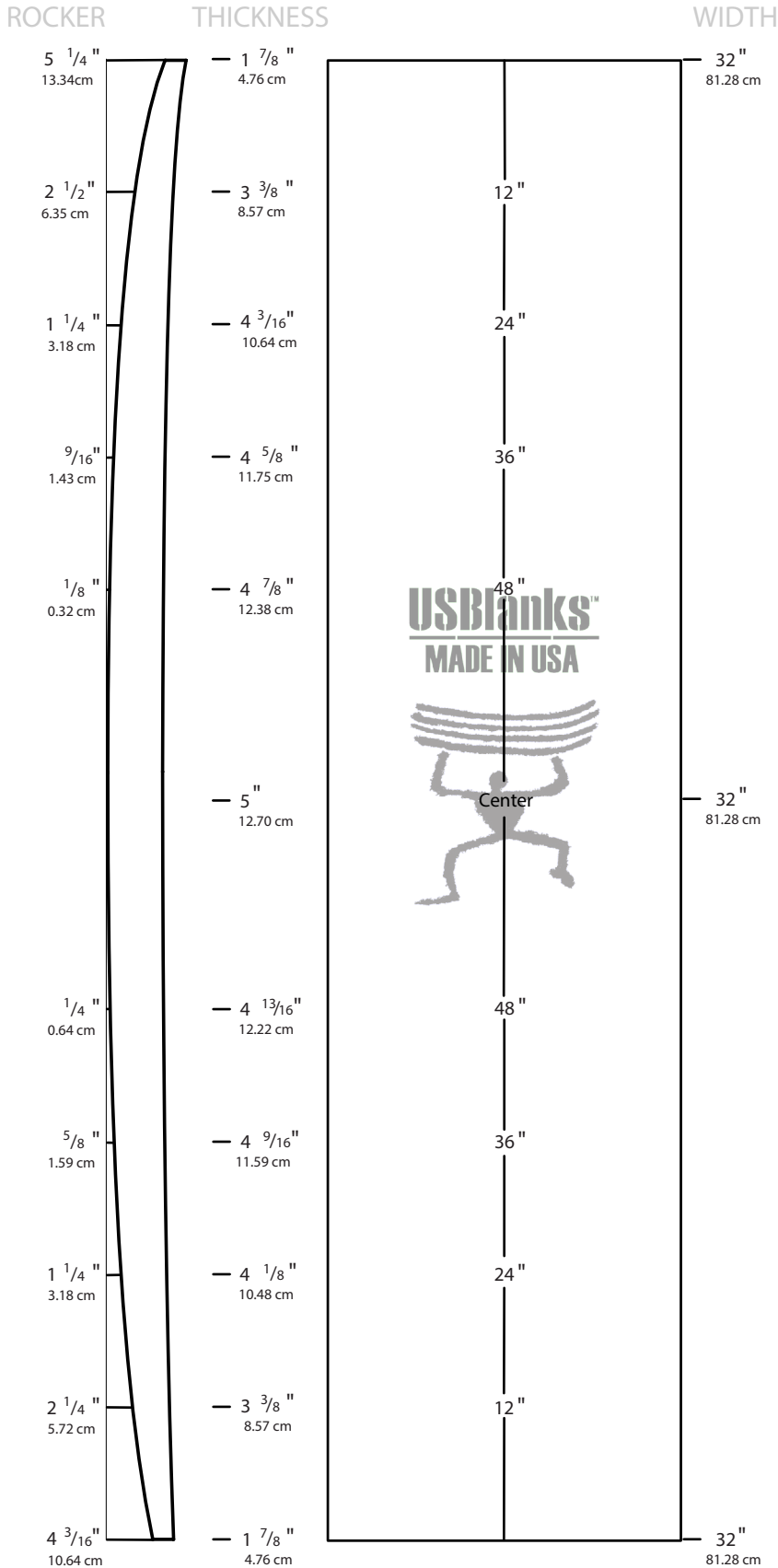
Available Densities: 1.5 PCF & 2.0 PCF

USBlanks[™]
MADE IN USA



BLOCK-CUT

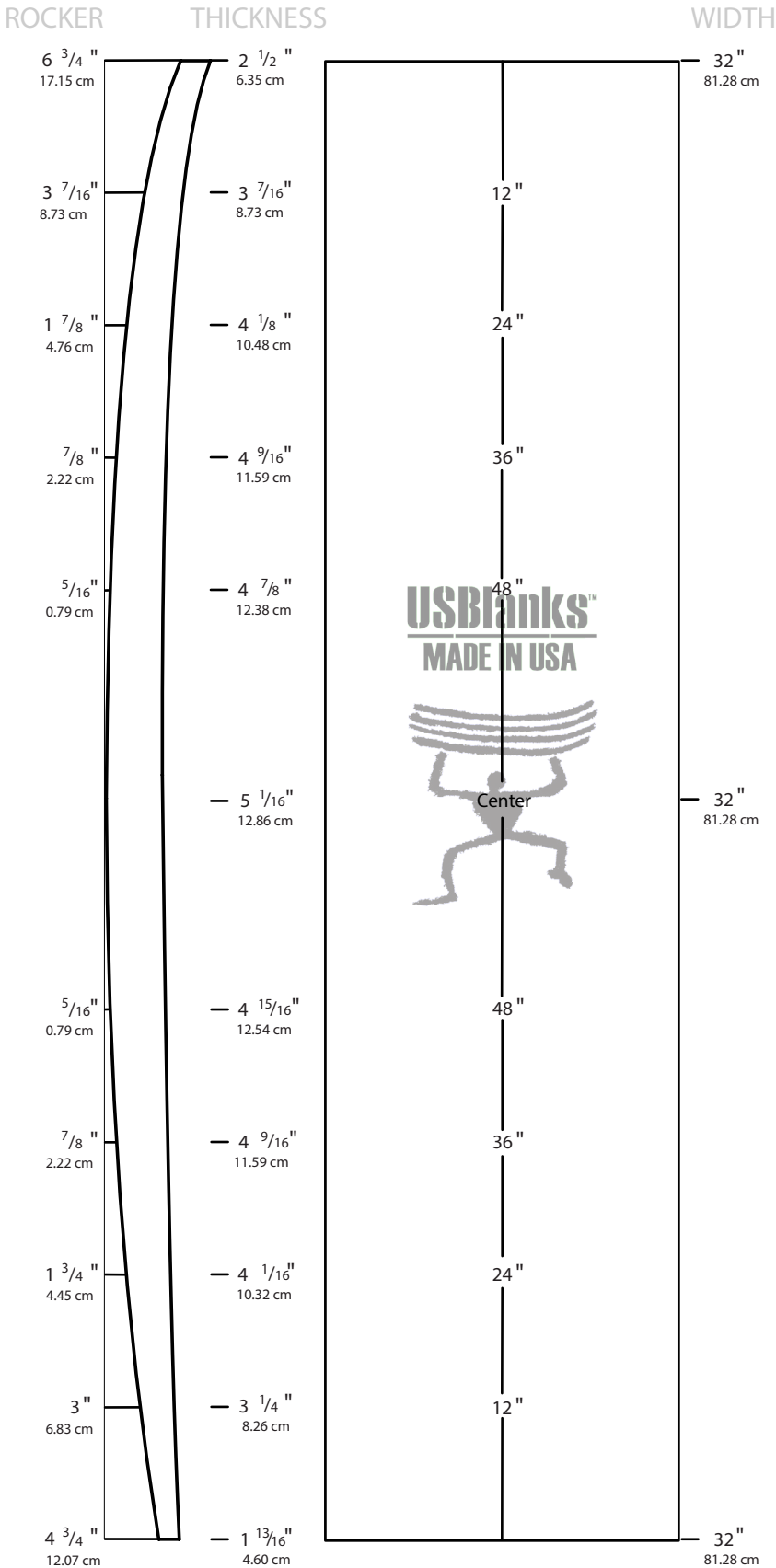
11'2" EPS A-SUP



Introduced: August 2009
Overall Bottom Length: 11'3 1/2" (344.17 cm)
Tip-to-Tip Deck Length: 11'2" (340.36 cm)
Max Width: 32" (81.28 cm)
Max Thickness: 5" (12.7 cm)
Available Densities: 1.5 PCF & 2.0 PCF

BLOCK-CUT

11'2" EPS B-SUP



Introduced: August 2009

Overall Bottom Length: 11'3 1/2" (344.17 cm)

Tip-to-Tip Deck Length: 11'2" (340.36 cm)

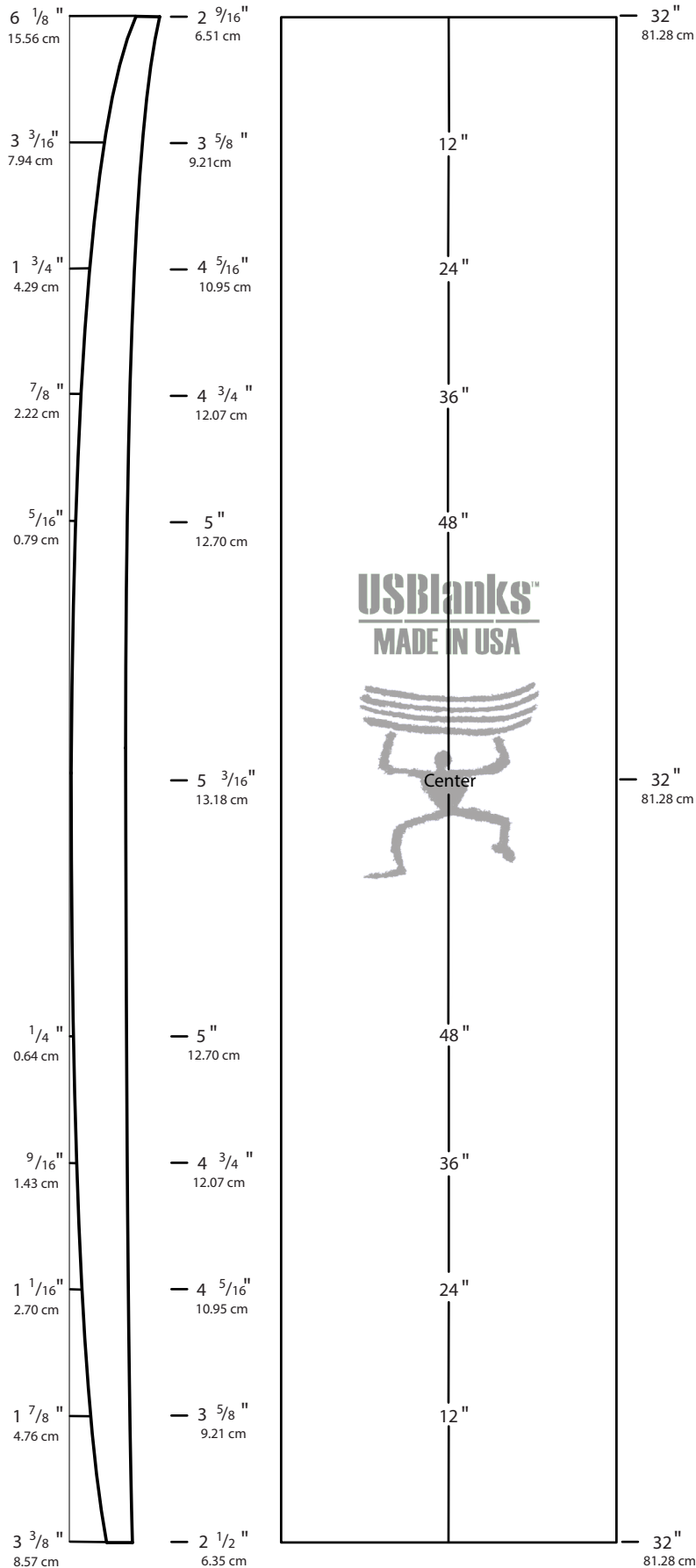
Max Width: 32" (81.28 cm)

Max Thickness: 5 1/16" (12.86 cm)

Available Densities: 1.5 PCF & 2.0 PCF

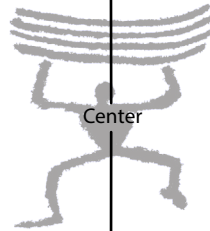
BLOCK-CUT

12'1" EPS SUP



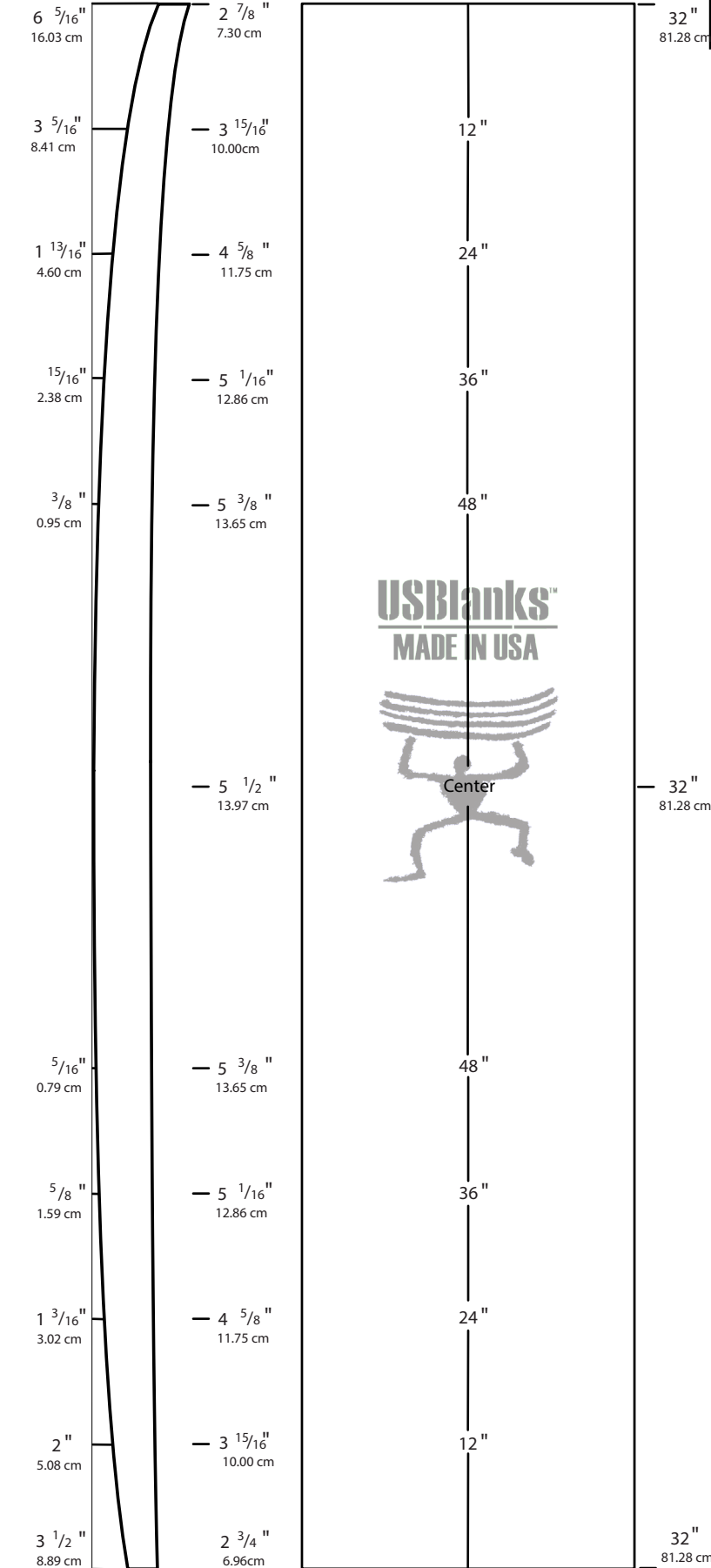
Introduced: August 2009
Overall Bottom Length: 12'2 1/8" (371.16 cm)
Tip-to-Tip Deck Length: 12'1" (368.3 cm)
Max Width: 32" (81.28 cm)
Max Thickness: 5 3/16" (13.18 cm)
Available Densities: 1.5 PCF & 2.0 PCF

USBlanks™
MADE IN USA



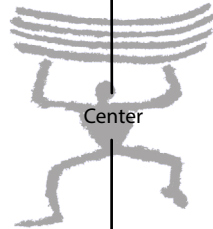
BLOCK-CUT

12'6" EPS SUP



Introduced: January 2011
Overall Bottom Length: 12'7 1/2" (384.81 cm)
Tip-to-Tip Deck Length: 12'6" (381.0 cm)
Max Width: 32" (81.28 cm)
Max Thickness: 5 1/2" (13.97 cm)
Available Densities: 1.5 PCF & 2.0 PCF

USBlanks™
MADE IN USA



PARABOLIC STRINGERS

The parabolic template outlines depicted on the following pages are drawn to scale and are representative of the curvature positioning related to the given blank sizes. All templates are named based on their overall length from end to end. When ordering please specify the specific template to be used based on the finished board length. Any short board template can be used in any blank as long as the template is smaller than the blank itself (this does not apply to fish templates).

For example, you can request to use the 6'0" parabolic template in the 6'6" EA blank. As a general rule the maximum length template that can be used in a blank will be one size smaller than the blank itself (eg. 6'0" template in the 6'2" P or the 6'4" template in the 6'6" EA, etc.) We will only use the same length template in a blank when specifically requested by a customer. All templates can also be used in our SUPERFUSED EPS blanks.

Our "stock" parabolic templates can be adjusted in or out in the tail to accommodate a narrower or wider outline. Be aware that all dimensions from nose to tail will be affected when making this adjustment. Upon request customers may also submit "custom" templates to be kept as private outlines. Custom template set up will be subject to a one-time surcharge.

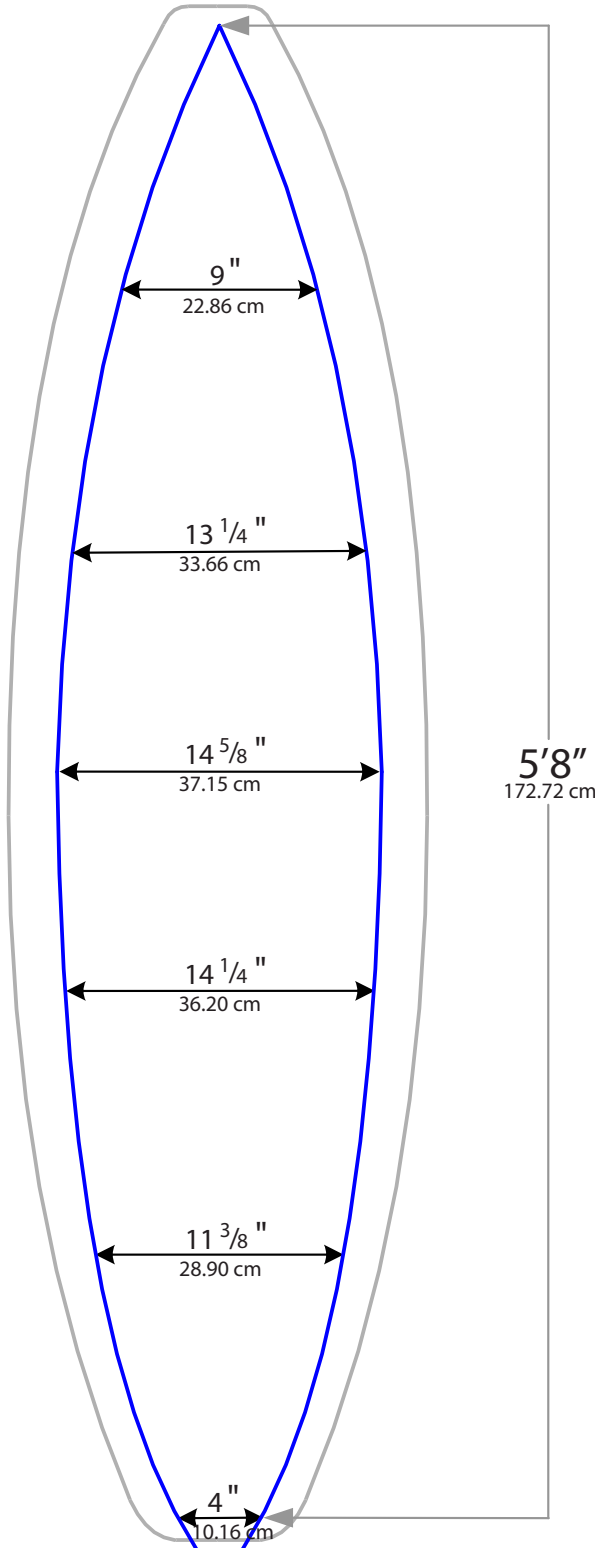
The most common stringer thicknesses in parabolic blanks are 3/32", 1/8" and 4mm ply (5/32"). The allowed maximum stringer thickness used for the 5'11" Fish and 6'4" Fish outlines is 3/32".

We suggest using the natural rocker in all parabolic blanks whenever possible. Parabolic stringers do not react to (or hold) rocker adjustments in the same manner as when adjusted from a center stringer. For this reason we will not guarantee precise tolerances when making custom rocker adjustments in parabolic blanks.

PARABOLIC

5'9"P

Designed by
TIMMY PATTERSON



Overall Template Length: 5'8" (172.72 cm)

Blank Width: 19 1/16" (48.42 cm)
(1/2" narrower than standard 5'9"P)

Notes: This template is suitable for high-performance Shortboard shapes 5'8" and under.

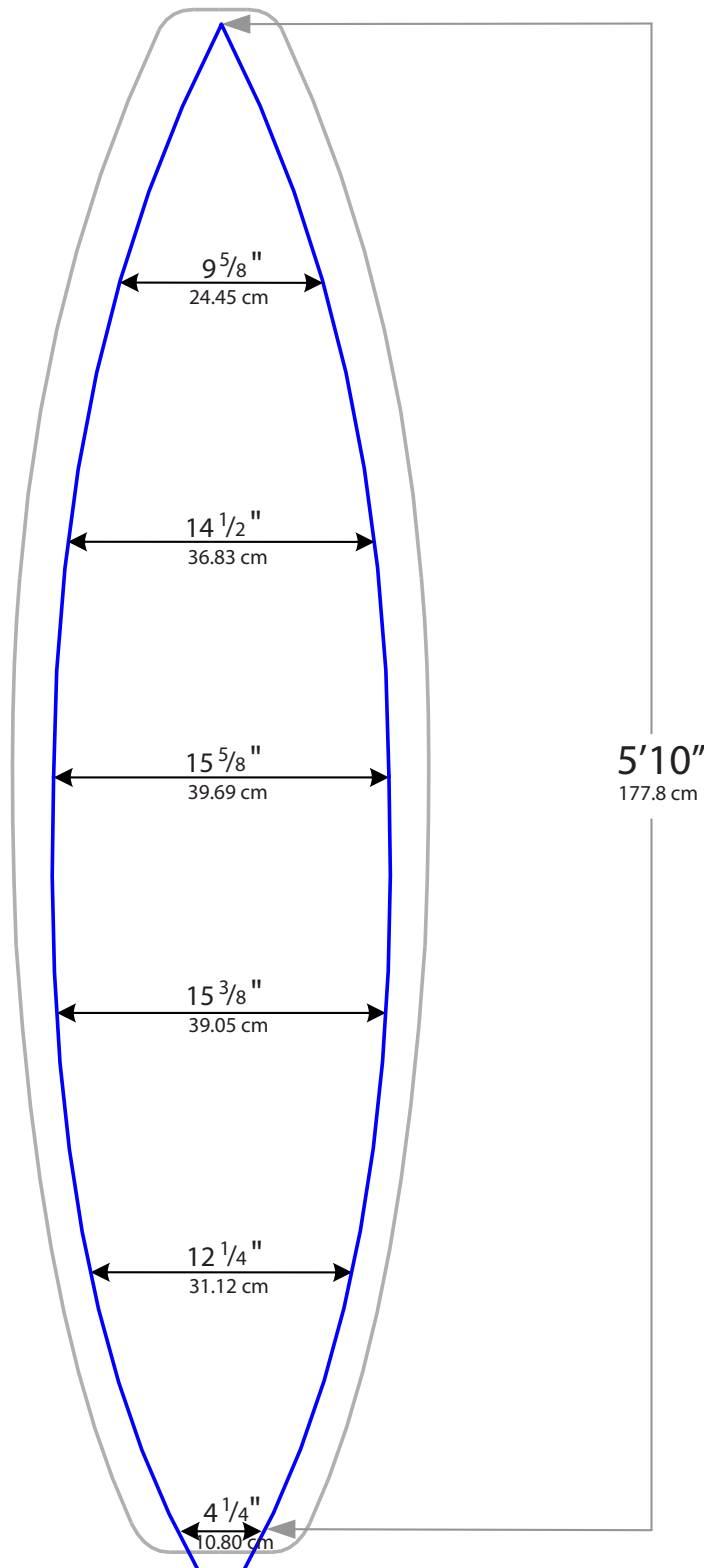
* * All parabolic dimensions are "inside widths" measured across from cut to cut. Extra width must be added to the dimensions listed to account for thickness of stringers. Overall blank width is narrower due to the thickness of material removed during the cutting process.

PARABOLIC

6'0"P

Designed by

TIMMY PATTERSON



Overall Template Length: 5'10" (177.80 cm)

Blank Width: 19 9/16" (49.69 cm)
(1/2" narrower than standard 6'0"P)

Notes: This template is suitable for high-performance Shortboard shapes 5'10" and under.

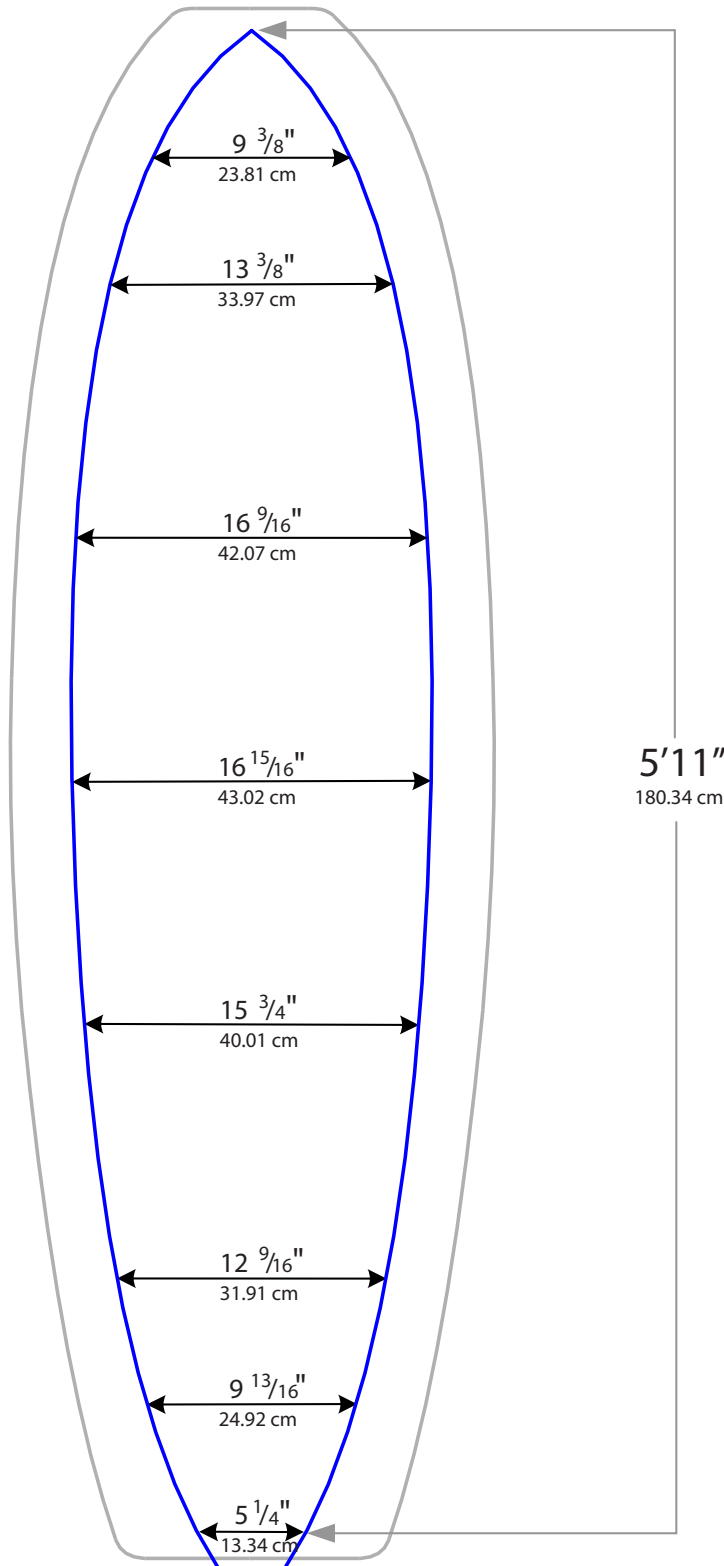
* * All parabolic dimensions are "inside widths" measured across from cut to cut. Extra width must be added to the dimensions listed to account for thickness of stringers. Overall blank width is narrower due to the thickness of material removed during the cutting process.

PARABOLIC

6'2"A

Designed by

PAT RAWSON



Overall Template Length: 5'11" (180.34 cm)

Blank Width: 23 1/8" (58.74 cm)
(1/2" narrower than standard 6'2"A)

Notes: This template is suitable for high-performance Fish shapes 5'11" and under.

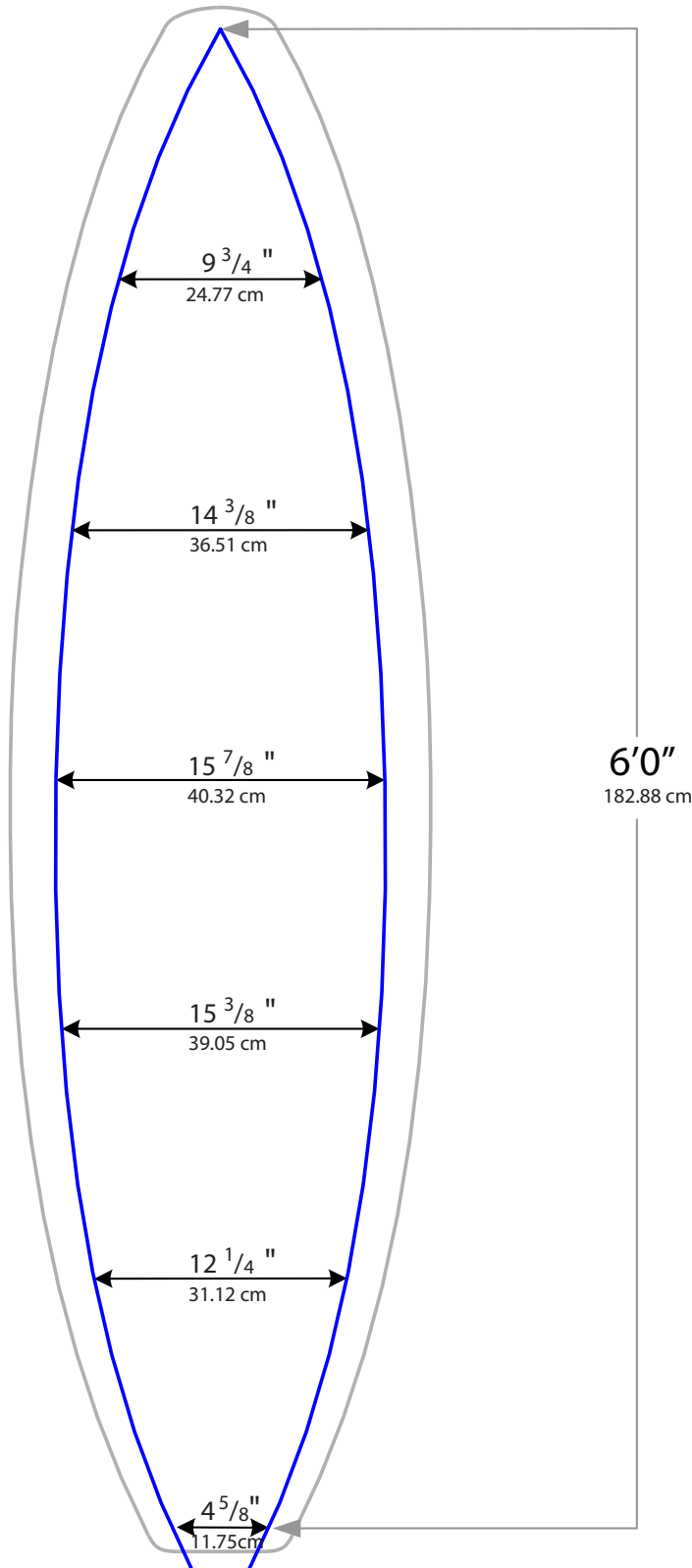
Maximum stringer thickness allowed = 3/32"

* * All parabolic dimensions are "inside widths" measured across from cut to cut. Extra width must be added to the dimensions listed to account for thickness of stringers. Overall blank width is narrower due to the thickness of material removed during the cutting process.

PARABOLIC

6'2"P

Designed by
TIMMY PATTERSON



Overall Template Length: 6'0" (182.88 cm)

Blank Width: 20 1/8" (51.12 cm)
(1/2" narrower than standard 6'2"P)

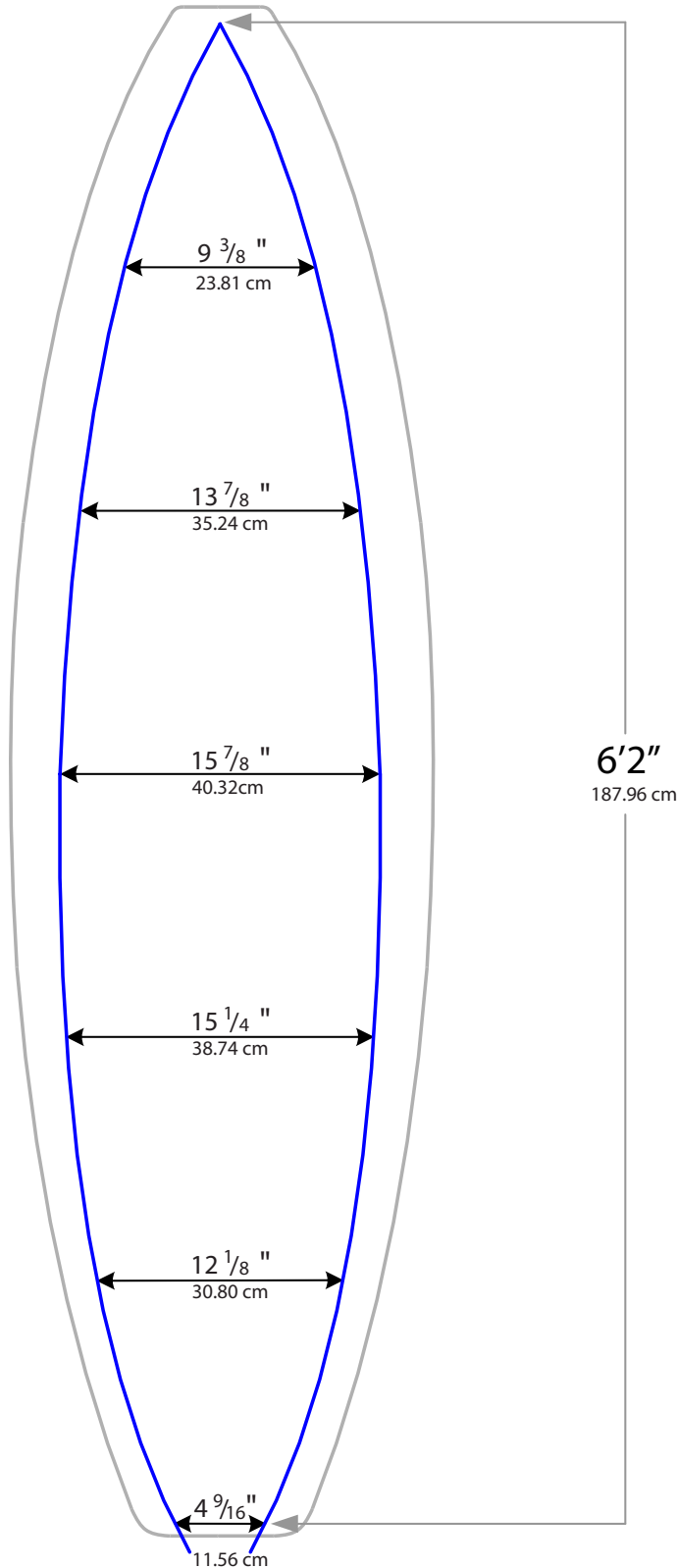
Notes: This template is suitable for high-performance Shortboard shapes 6'0" and under.

* * All parabolic dimensions are "inside widths" measured across from cut to cut. Extra width must be added to the dimensions listed to account for thickness of stringers. Overall blank width is narrower due to the thickness of material removed during the cutting process.

PARABOLIC

6'3"EA

Designed by
ERIC ARAKAWA



Overall Template Length: 6'2" (187.96 cm)

Blank Width: 20 5/16" (51.59 cm)
(1/2" narrower than standard 6'3"EA)

Notes: This template is suitable for high-performance Shortboard shapes 6'2" and under.

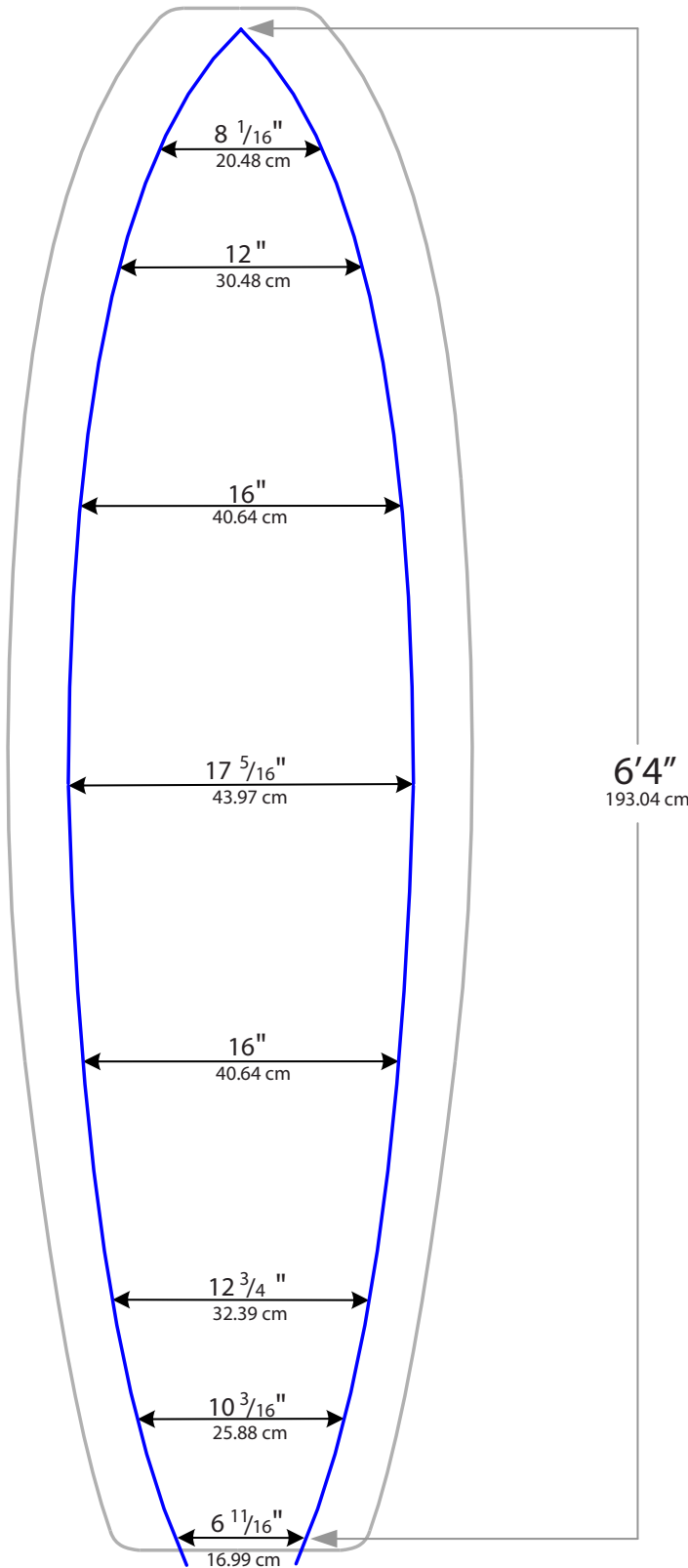
* * All parabolic dimensions are "inside widths" measured across from cut to cut. Extra width must be added to the dimensions listed to account for thickness of stringers. Overall blank width is narrower due to the thickness of material removed during the cutting process.

PARABOLIC

6'5"A

Designed by

PAT RAWSON



Overall Template Length: 6'4" (193.04 cm)

Blank Width: 23 1/8" (58.74 cm)
(1/2" narrower than standard 6'5"A)

Notes: This template is suitable for high-performance Fish shapes 6'4" and under.

Maximum stringer thickness allowed = 3/32"

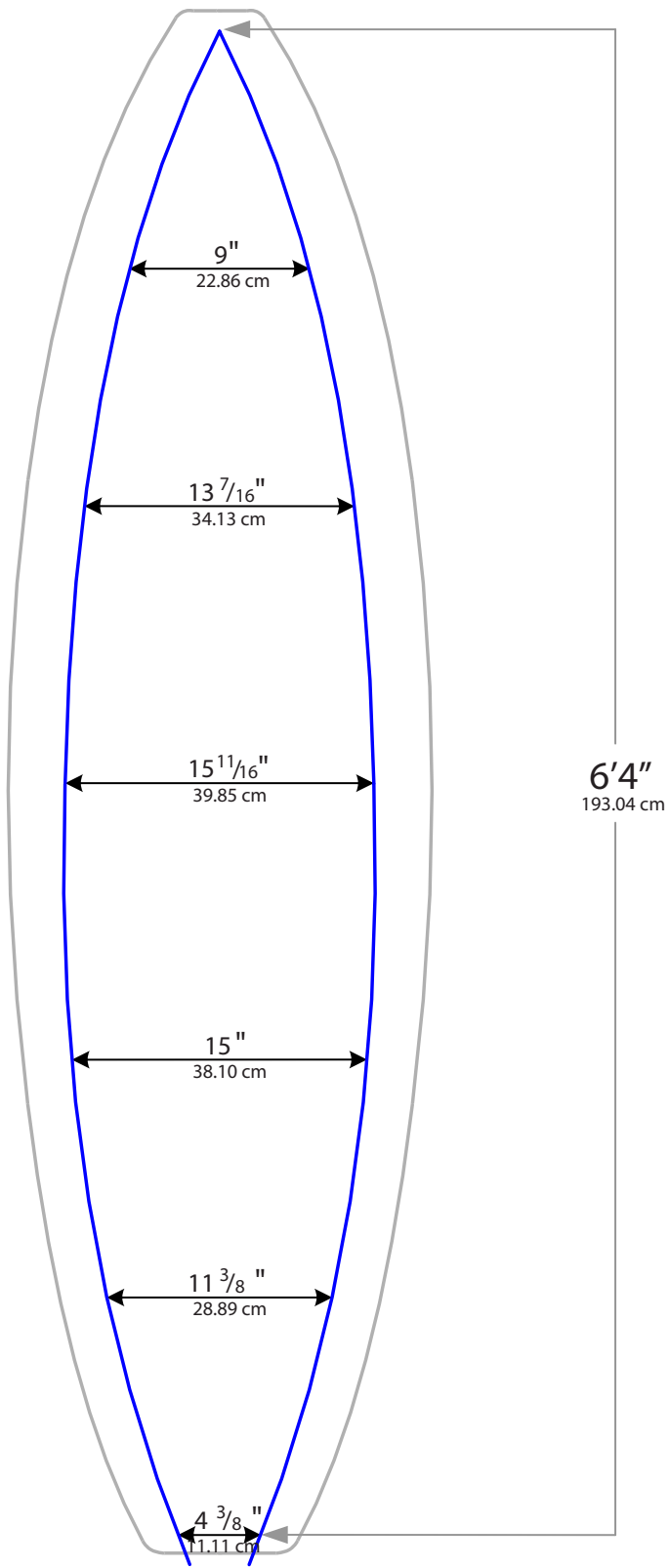
* * All parabolic dimensions are "inside widths" measured across from cut to cut. Extra width must be added to the dimensions listed to account for thickness of stringers. Overall blank width is narrower due to the thickness of material removed during the cutting process.

6'4"
193.04 cm

PARABOLIC

6'6"EA

Designed by
ERIC ARAKAWA



Overall Template Length: 6'4" (193.04 cm)

Blank Width: 20 ¹⁵/₁₆" (53.18 cm)
(1/2" narrower than standard 6'6"EA)

Notes: This template is suitable for high-performance Shortboard shapes 6'4" and under.

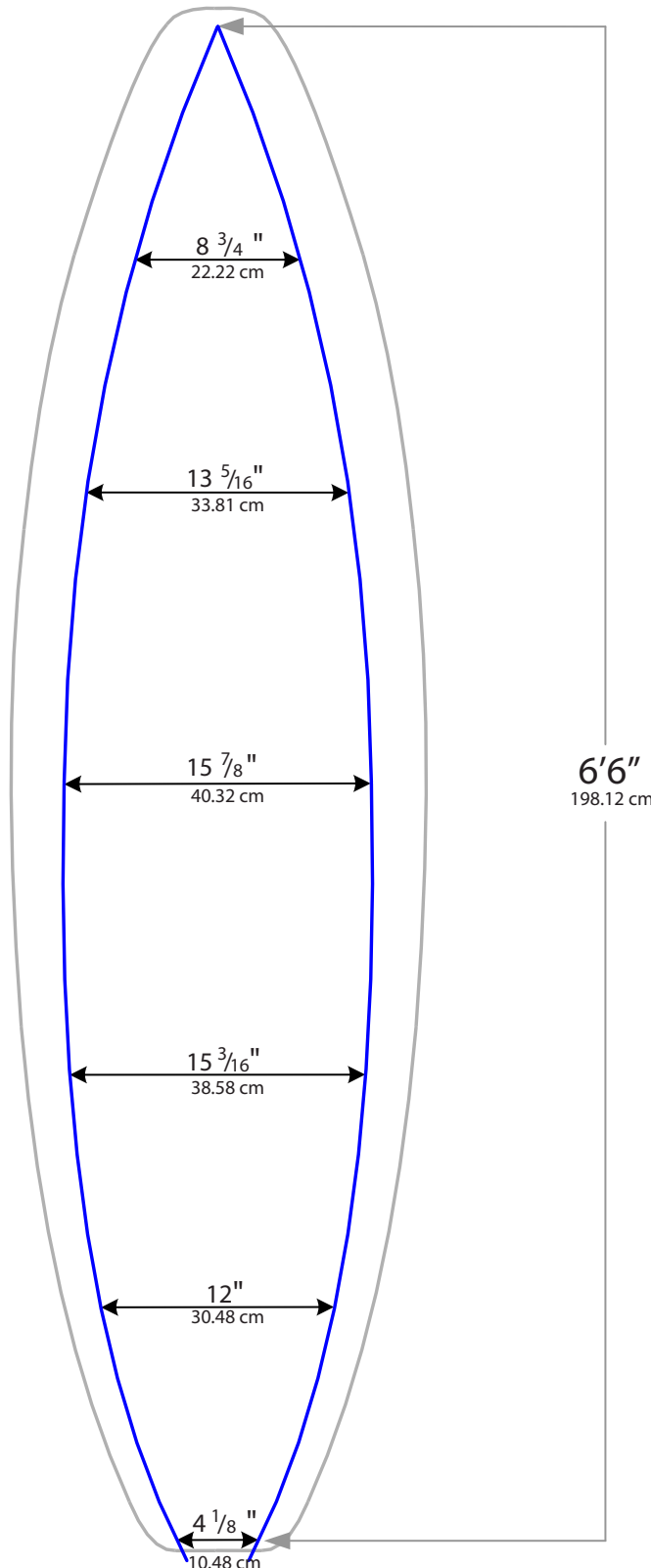
* * All parabolic dimensions are "inside widths" measured across from cut to cut. Extra width must be added to the dimensions listed to account for thickness of stringers. Overall blank width is narrower due to the thickness of material removed during the cutting process.

PARABOLIC

6'7" P

Designed by

TIMMY PATTERSON



Overall Template Length: 6'6" (198.12 cm)

Blank Width: 21" (53.34 cm)
(1/2" narrower than standard 6'7" P)

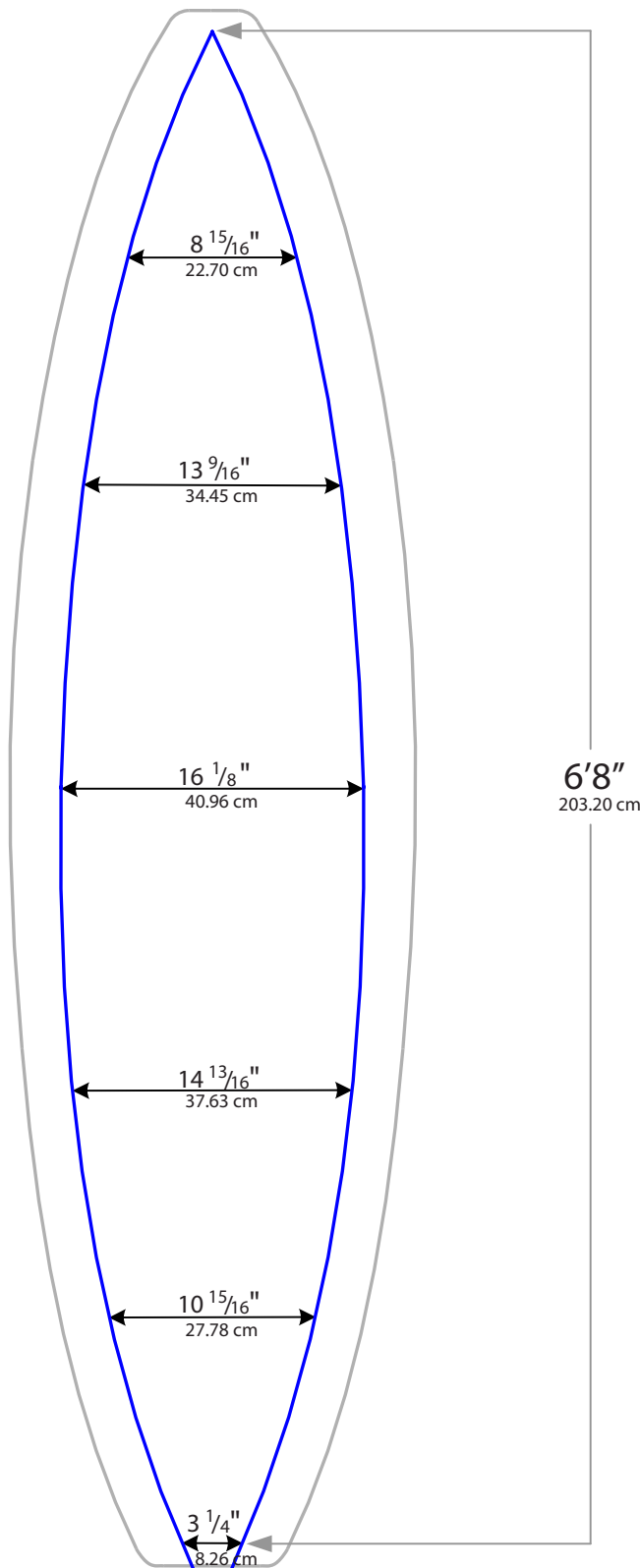
Notes: This template is suitable for high-performance Shortboard shapes 6'6" and under.

* * All parabolic dimensions are "inside widths" measured across from cut to cut. Extra width must be added to the dimensions listed to account for thickness of stringers. Overall blank width is narrower due to the thickness of material removed during the cutting process.

PARABOLIC

6'9"EA

Designed by
ERIC ARAKAWA



Overall Template Length: 6'8" (203.20 cm)

Blank Width: 20 13/16" (49.69 cm)
(1/2" narrower than standard 6'9"EA)

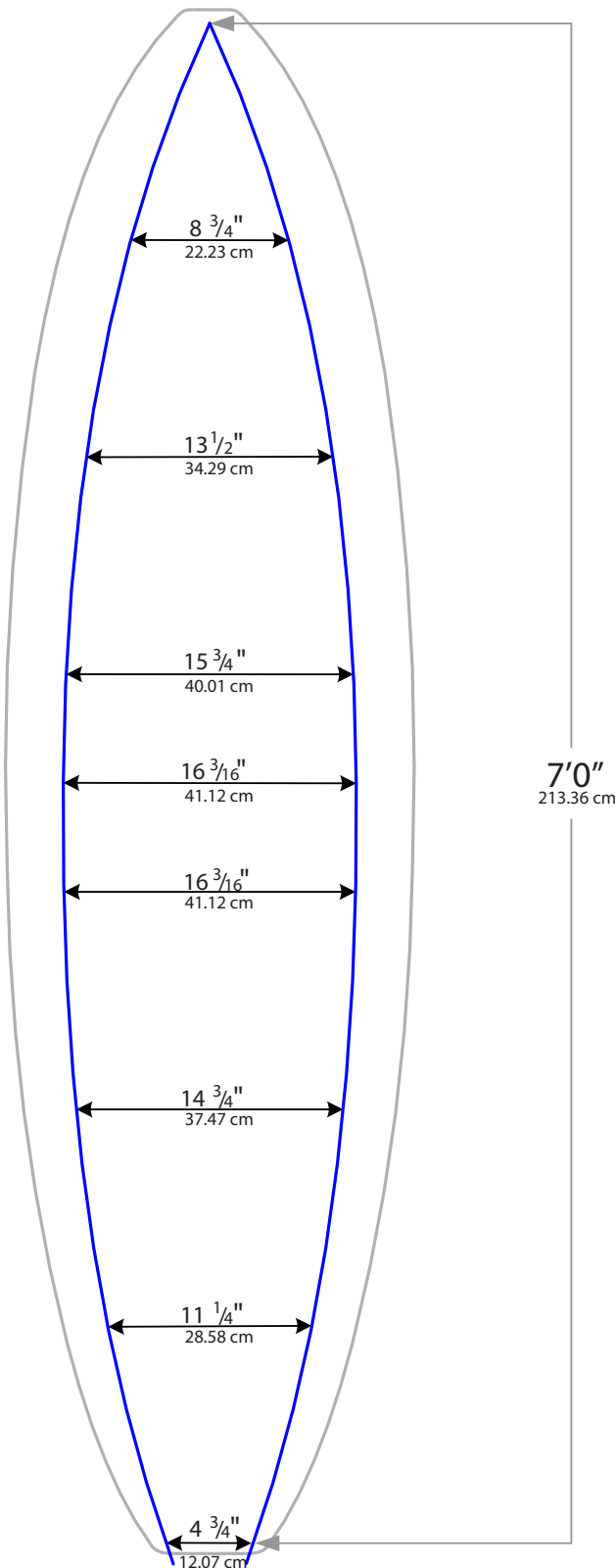
Notes: This template is suitable for high-performance Shortboard shapes 6'8" and under.

* * All parabolic dimensions are "inside widths" measured across from cut to cut. Extra width must be added to the dimensions listed to account for thickness of stringers. Overall blank width is narrower due to the thickness of material removed during the cutting process.

PARABOLIC

7'1"EA

Designed by
ERIC ARAKAWA



Overall Template Length: 7'0" (213.36 cm)

Blank Width: 22 3/16" (57.63 cm)
(1/2" narrower than standard 7'1"EA)

Notes: This template is suitable for high-performance Shortboard shapes 7'0" and under.

* * All parabolic dimensions are "inside widths" measured across from cut to cut. Extra width must be added to the dimensions listed to account for thickness of stringers. Overall blank width is narrower due to the thickness of material removed during the cutting process.

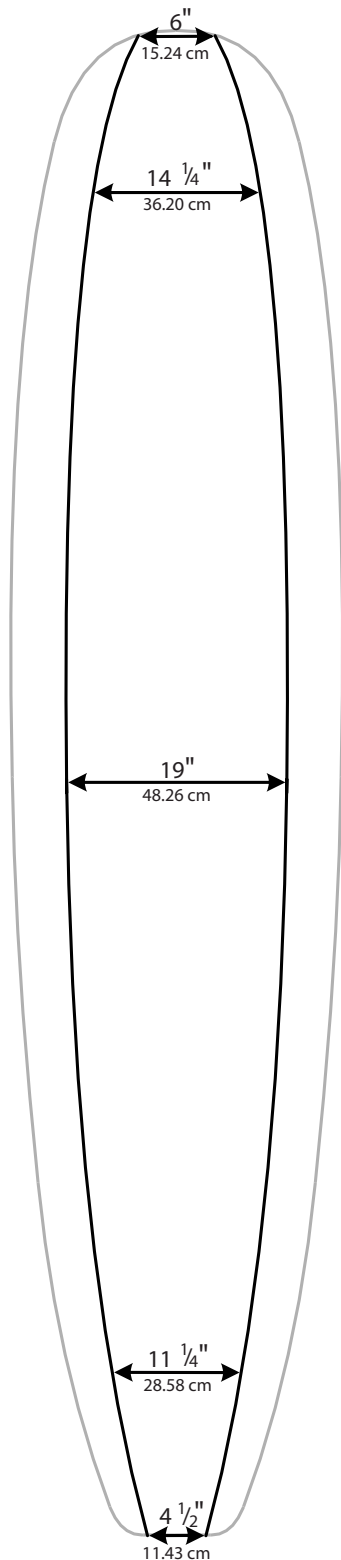
PARABOLIC

9'4" B

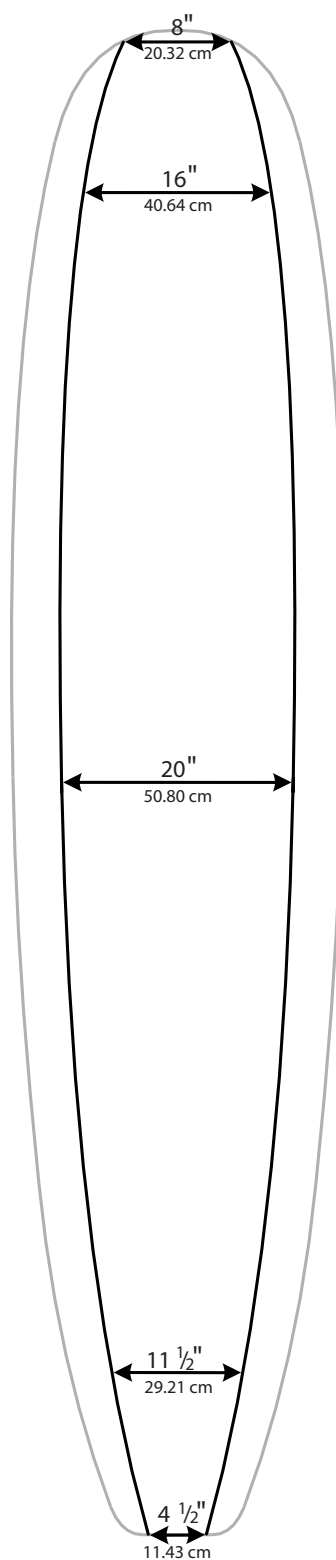
Designed by

BRUCE JONES

Outline "A"



Outline "B"



Overall Template Length: 9'4" (284.48 cm)

Blank Width: 24 11/16" (62.71 cm)
(1/2" narrower than standard 9'4"B)

Notes: This template is suitable for high-performance Shortboard shapes 9'4" and under.

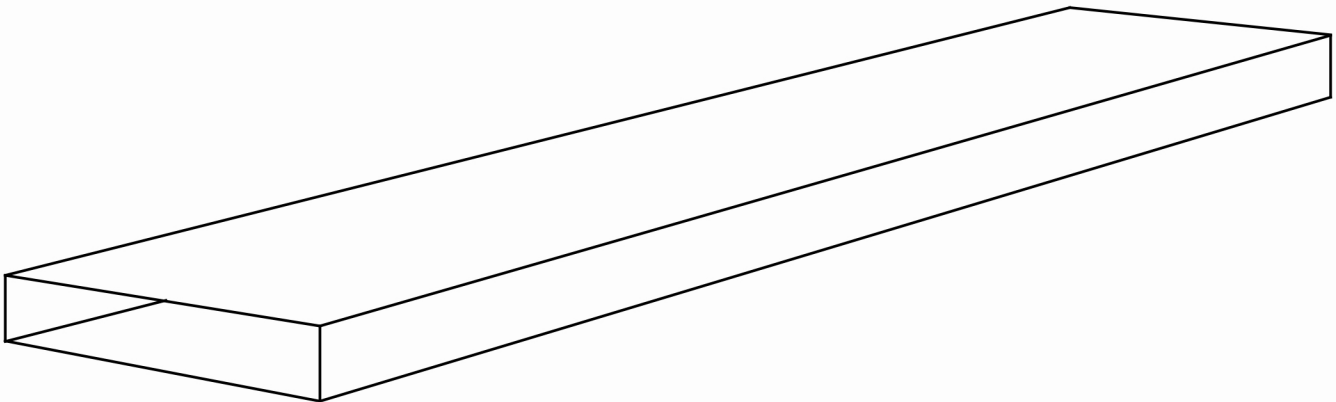
This outline can be for the following blanks:
9'3"Y, 9'4"B, 9'5"M, 9'8"Y, 9'8"EPS

* * All parabolic dimensions are "inside widths" measured across from cut to cut. Extra width must be added to the dimensions listed to account for thickness of stringers. Overall blank width is narrower due to the thickness of material removed during the cutting process.

MULTI-BOARD BOXES WITH BOX ENDS

INSIDE DIMENSIONS

BOX SIZE:	LENGTH	WIDTH	HEIGHT
1. 7'4"	7'2" (2.24 m)	25" (63.5 cm)	12" (30.5 cm)
2. 8'2"	8' (2.44 m)	24" (60.96 cm)	6" (15.24 cm)
3. 8'4"	8'2" (2.49 m)	25" (63.5 cm)	12" (30.5 cm)
4. 10'2:	10' (3.05 m)	26" (66.04 cm)	6" (15.24 cm)
5. 10'8"	10'6" (3.32 m)	26" (66.04 cm)	14" (35.5 cm)
6. 12'5"	12'3" (3.73 m)	33" (83.8 cm)	12.5" (31.6 cm)



BOXES ARE A GLUED TUBE MADE OF 275# KRAFT

ENDS STAPLE IN FOR A STRUCTUAL FIT.

BOXES ARE PLAIN WITH NO LOGO.

LIST OF RESELLERS

US Blanks are available worldwide through a network of Resellers. Contact the Reseller nearest you for pricing & product availability.

WEST COAST, USA

MITCH'S SURF SHOP
631 Pearl St
La Jolla, CA, 92037
(858) 459-5933, MitchsSurfShop.com

MITCH'S SURF SHOP
363 Hwy 101
Solana Beach, CA, 92075
(858) 481-1354, MitchsSurfShop.com

FIBERGLASS SERVICES / SOURCE
291 Roymar Rd
Oceanside, CA, 92058
(760) 722-1666, FiberglassSource.com

BASHAM'S SURF SHOP
213 Calle de Los Molinos
San Clemente, CA, 92677
(949) 361-2203, BashamsSurfShop.com

PURE GLASS
1777 Placentia
Costa Mesa, CA, 92627
(949) 548-2912, PureGlass.com

FOAM E-Z
6455 Industry Way
Westminster, CA, 92683
(714) 896-8233, FoamEZ.com

THE CRAFT
141 Suburban Rd
San Luis Obispo, CA, 93401
(805) 782-9802, TheCraftGlassworks.com

FIBERGLASS HAWAII
4350 Transport St
Ventura, CA, 93003
(805) 644-0009, FiberglassHawaii.com

ARROW SURF SHOP
2324 Mission St
Santa Cruz, CA, 95060
(831) 423-8286, ArrowSurfShop.com

ARROW FACTORY
1115 Thompson Ave
Santa Cruz, CA, 95062
(831) 462-2791, ArrowSurfboards.com

FIBERGLASS SUPPLY
11824 Water Tank Rd
Burlington, WA, 98233
(509) 493-3464, FiberglassSupply.com

USBlanks.com
(310) 225-6774

EAST COAST, USA

US BLANKS
2775 Business Center Blvd
Melbourne, FL, 32940
(321) 253-3626, USBlanks.com

THE SURF SOURCE
52 W 3rd St
Atlantic Beach, FL, 32233
(904) 247-0808, SurfSource.net

U.S. FIBERGLASS PRODUCTS / WRV
8778 Caratoke Hwy
Harbinger, NC, 27941
(252) 491-8535, WRVFactory@gmail.com

GREENLIGHT SURF SUPPLY
187 Parker Ave, Manasquan
NJ, 08736, (732) 223-1694
GreenLightSurfSupply.com

HAWAII, USA

FIBERGLASS HAWAII
1377 Colburn St
Honolulu, Oahu, HI, 96817
(808) 847-3951, FiberglassHawaii.com

FIBERGLASS HAWAII
914 Palm Pl
Wahiawa, Oahu, HI, 96786
(808) 621-5667, FiberglassHawaii.com

FIBERGLASS HAWAII
246 Papa Pl
Kahului, Maui, HI, 96732
(808) 871-7955, FiberglassHawaii.com

EUROPE

SEABASE
Unit 10, Seabase Industrial Estate
Newquay, Cornwall, UK, TR7 2SX
+44 (0) 1637 875 811, Seabase.eu

SEABASE
245 Av. des Tuileries, Z.A. de Pedebert
Soorts-Hossegor, 40150, France
+33 (0) 5 58 41 77 05, Seabase.eu

YALANTICO
Calle Los Olivos, 9, Poligono Ind.,
Arinaga Gran Canaria, 35119, Canary Is.
+34 928 181 938, Yatlantico.es

USBlanks.com/resellers

CENTRAL / SOUTH AMERICA

SURFOAM CENTRAL AMERICA
Centro Comercial Palmas de Tamarindo,
Local Numero 6, de la plaza de deportes
200 metros Sur, Villareal
Guanacaste, Costa Rica
(506) 8447-1283
SurfoamCentralAmerica.com

WAYO WHILAR SURFBOARDS
Av. Grau 111 Baranco
Lima, Peru
51 1 254 2344, WayoWhilar@gmail.com

SURFHOUSE
Badajoz 12, Department 203
Las Condes Santiago, Chile
02 2124952, BlueHawaii20@yahoo.es

JAPAN

MANEUVERLINE
3-8-2 Miyoshi Kohtohku
Tokyo, Japan, 135-0022
+81 3 5245 3113, Maneuverline.co.jp

MANEUVERLINE
6-8-24 Ichinomiya Samukawa
Kanagawaken, Japan, 253-0111
+81 467 72 6226, Maneuverline.co.jp

BLANK	GENRE	LENGTH STRAIGHT LINE	NOSE @ 12"		MAX WIDTH	MAX THICKNESS	TAIL @ 12"		NOSE @ TIP	TAIL @ TIP
			Deck: Tip to Tip	Width			Thick.	Width		
5'9"P	Shortboard	5'9 5/8"	13 11/16"	1 5/8"	19 3/8"	2 7/16"	14 13/16"	1 3/4"	4 3/4"	2"
5'10"RP	Fish/Egg	5'10 3/4"	19 5/16"	2 3/16"	24 7/8"	2 15/16"	20 3/8"	2 3/16"	4 5/8"	1 15/16"
6'0"P	Shortboard	6'0 1/4"	14 1/16"	1 5/8"	20"	2 1/2"	15 9/16"	1 7/8"	4 5/8"	1 11/16"
6'0"R	Shortboard	5'11 3/4"	16 3/8"	2 3/16"	21 5/8"	3"	17 1/8"	2 1/4"	4 7/16"	2 1/8"
6'2"A	Fish/Egg	6'2"	19"	2 1/8"	23 1/2"	2 15/16"	18 9/16"	2"	4 3/4"	1 13/16"
6'2"P	Shortboard	6'1 7/8"	14"	1 5/8"	20 1/2"	2 1/2"	15 7/16"	1 7/8"	4 7/16"	2 1/4"
6'3"EA	Shortboard	6'3 1/4"	14 3/16"	1 11/16"	20 5/8"	2 9/16"	15 7/16"	1 7/8"	5 1/2"	2 1/16"
6'4"EA	Shortboard	6'3 1/2"	14 3/16"	1 3/4"	20 5/8"	2 3/4"	15 7/16"	2"	5 1/2"	2 1/16"
6'4"MB	Shortboard	6'4 1/8"	14 3/4"	2 5/16"	21 7/16"	3 3/16"	16 3/4"	2 5/16"	4 7/8"	2"
6'5"A	Fish/Egg	6'4 7/8"	18 7/8"	2 3/16"	23 1/2"	3 1/8"	18 3/8"	2 1/8"	5 1/6"	1 3/4"
6'5"R	Shortboard	6'4 3/4"	16 7/8"	2 3/8"	21 3/4"	3 1/4"	17"	2 7/16"	4 11/16"	2 1/4"
6'6"EA	Shortboard	6'5 3/8"	14 5/8"	1 7/8"	21 1/4"	2 15/16"	15 3/4"	2 1/16"	5 5/16"	2 3/16"
6'7"P	Shortboard	6'6 1/2"	14 1/2"	1 9/16"	21 1/2"	2 3/4"	15 7/8"	1 13/16"	5 1/4"	2 3/8"
6'8"A	Fish/Egg	6'7"	15 9/16"	2 3/16"	21 7/8"	2 15/16"	16 3/4"	2 1/4"	5 5/16"	1 3/4"
6'8"AX	Fish/Egg	6'7"	15 9/16"	2 9/16"	21 7/8"	3 5/16"	16 3/4"	2 5/8"	5 5/16"	1 3/4"
6'8"P	Shortboard	6'6 3/4"	14 1/2"	1 11/16"	21 3/8"	2 3/4"	15 11/16"	1 7/8"	5 1/16"	2 3/16"
6'8"RP	Fish/Egg	6'8 3/4"	18 9/16"	2 1/8"	25 1/8"	3"	20"	2 3/16"	5"	2 1/8"
6'9"EA	Shortboard	6'8"	14 1/8"	1 7/8"	21 5/16"	2 15/16"	15 5/8"	2"	5 9/16"	2 1/2"
6'9"R	Shortboard	6'9 5/8"	17 3/8"	2 7/16"	23 1/8"	3 9/16"	17 3/4"	2 9/16"	4 7/8"	2 3/8"
6'10"A	Fish/Egg	6'9 1/2"	19 1/16"	2 3/8"	24"	3 1/2"	18 1/8"	2 5/16"	5"	1 7/8"
7'0"A	Shortboard	6'10 3/4"	15 5/8"	2 1/16"	22 1/8"	3 3/16"	15 3/4"	2 3/16"	5 1/2"	2"
7'1"A	Shortboard	6'11"	15 1/2"	2 3/16"	22 3/16"	3"	15 5/8"	2 1/8"	5 11/16"	2 1/16"
7'1"EA	Funboard	6'11 3/4"	15 3/4"	2"	22 9/16"	3"	16 1/4"	2 1/8"	5 3/8"	2 1/4"
7'2"EA	Gun	7'1 7/8"	13 1/4"	1 13/16"	21 5/8"	2 15/16"	15 1/4"	2 1/16"	6 1/16"	2 9/16"
7'3"A	Fish/Egg	7'2 3/8"	18 1/2"	2 7/16"	24"	3 5/8"	17 3/4"	2 5/16"	5 5/16"	2 1/16"
7'4"SP	Fish/Egg	7'4 3/4"	20 3/8"	2 1/4"	24 1/16"	3 3/8"	17 1/2"	2 3/8"	4 1/8"	2 3/8"
7'5"A	Funboard	7'3 7/16"	15 3/16"	2"	21 7/8"	3"	15 3/8"	2 1/16"	6"	2 1/8"
7'6"EA	Funboard	7'5 3/8"	15 5/8"	2 1/16"	23"	3 3/16"	16 1/8"	2 1/8"	5 3/8"	2 5/16"
7'7"A	Funboard	7'6"	16 1/4"	2 5/16"	22 7/8"	3 7/16"	16 1/8"	2 5/16"	6"	2 3/16"
7'8"EA	Gun	7'8 3/16"	12 3/4"	1 13/16"	21 7/8"	3"	14 1/2"	2"	6 3/16"	2 5/8"
7'9"H	Fish/Egg	7'8 3/8"	19 3/4"	2 1/16"	23 9/16"	3 3/16"	17 1/16"	2 1/16"	3 1/2"	2 15/16"
7'9"HX	Fish/Egg	7'8 3/8"	19 3/4"	2 7/16"	23 9/16"	3 9/16"	17 1/16"	2 7/16"	3 1/2"	2 15/16"
7'10"SP	Funboard	7'10 3/4"	20 7/16"	2 5/16"	24 3/8"	3 3/8"	17 1/8"	2 5/16"	4 1/2"	2 1/2"

BLANK	GENRE	LENGTH STRAIGHT LINE	NOSE @ 12"		MAX WIDTH	MAX THICKNESS	TAIL @ 12"		NOSE @ TIP	TAIL @ TIP
			Deck: Tip to Tip	Width			Thick.	Width		
7'11"A	Gun	7'10 11/16"	13 1/4"	2 1/8"	21 7/8"	3 1/8"	14 1/8"	2 1/8"	6 7/16"	2 1/2"
8'0"H	Fish/Egg	7'11 5/8"	19 1/16"	2 1/8"	23 5/8"	3 5/16"	16 7/16"	2 1/8"	3 9/16"	3 1/8"
8'1"EA	Funboard	7'11 3/4"	17 1/16"	1 15/16"	24 1/16"	3 3/8"	16 3/4"	2 1/8"	6 7/16"	2 11/16"
8'2"A	Funboard	8'1 1/2"	17 3/8"	2 7/16"	25"	4 1/16"	17 11/16"	2 5/8"	6 5/8"	2 9/16"
8'2"AX	Funboard	8'1 1/2"	17 3/8"	2 13/16"	25"	4 7/16"	17 11/16"	3"	6 5/8"	2 9/16"
8'3"H	Funboard	8'2 5/8"	18 3/4"	2 1/16"	23 5/8"	3 3/8"	16 5/16"	2 1/16"	4 1/8"	3 3/16"
8'4"SP	Fish/Egg	8'3 13/16"	19 1/4"	2 1/4"	24 3/16"	3 3/8"	16 1/2"	2 1/4"	4 3/4"	2 13/16"
8'4"SPX	Fish/Egg	8'3 13/16"	19 1/4"	2 5/8"	24 3/16"	3 3/4"	16 1/2"	2 5/8"	4 3/4"	2 13/16"
8'5"A	Gun	8'5 1/2"	12 15/16"	2 3/16"	22"	3 3/8"	13 11/16"	2 3/16"	6 3/4"	2 7/16"
8'6"EA	Funboard	8'5 1/8"	16 1/2"	2 1/16"	24 1/16"	3 3/8"	16 3/16"	2 3/16"	6 9/16"	2 5/8"
8'9"Y	Longboard	8'8 1/2"	20 1/2"	2 5/16"	24 13/16"	3 3/8"	18"	2 5/16"	4 1/8"	3 3/16"
8'9"YX	Longboard	8'8 1/2"	20 1/2"	2 11/16"	24 13/16"	3 3/4"	18"	3"	4 1/8"	3 3/16"
9'2"A	Gun	9'2"	12 5/8"	2 3/16"	22 1/4"	3 1/2"	12 3/4"	2 1/16"	7 5/8"	2 3/4"
9'3"A	Funboard	9'2 5/8"	17 1/8"	2 1/4"	25 1/2"	4 5/16"	16 15/16"	2 3/4"	7 11/16"	3 1/16"
9'3"AX	Funboard	9'2 5/8"	17 1/8"	2 5/8"	25 1/2"	4 11/16"	16 15/16"	3 1/8"	7 11/16"	3 1/16"
9'3"Y	Longboard	9'2 5/8"	20 5/8"	2 3/8"	25 1/16"	3 1/2"	17 5/8"	2 3/8"	4 5/16"	3 1/4"
9'4"B	Longboard	9'3 1/16"	20 5/16"	2"	25 1/16"	3 5/16"	16 5/16"	2 1/8"	4 3/4"	3 1/2"
9'5"M	Longboard	9'3 3/4"	20 1/4"	2 1/16"	24 11/16"	3 3/16"	16"	2 1/8"	4 13/16"	3 5/8"
9'8"Y	Longboard	9'7 3/4"	20 3/4"	2 1/2"	25 1/4"	3 5/8"	17 5/8"	2 1/2"	4 1/2"	3 5/8"
9'9"A	Gun	9'8 3/8"	12 7/16"	2 1/8"	22 7/16"	3 11/16"	12 3/4"	2"	7 11/16"	3 1/8"
9'9"AX	Gun	9'8 3/8"	12 7/16"	2 1/2"	22 7/16"	4 1/16"	12 3/4"	2 3/8"	7 11/16"	3 1/8"
9'9"B	Longboard	9'9 1/8"	19 15/16"	2 1/4"	24 15/16"	3 3/4"	16 7/16"	2 1/4"	4 7/16"	4 1/8"
10'0"BG	Gun	10'0 3/8"	17"	2 7/8"	25 5/8"	4 9/16"	16 5/16"	2 7/8"	7 7/16"	3 1/4"
10'1"C	Longboard	10'1 3/4"	20 7/8"	2 3/4"	25 7/16"	4 1/8"	17 15/16"	2 13/16"	4 7/16"	3 5/8"
10'2"B	Longboard	10'1 1/2"	20 3/4"	2 5/16"	25 3/16"	3 1/2"	17 9/16"	2 1/4"	4 13/16"	3 7/16"
10'2"BX	Longboard	10'1 1/2"	20 3/4"	2 9/16"	25 3/16"	3 3/4"	17 9/16"	2 1/2"	4 13/16"	3 7/16"
10'6"A	Gun	10'5 7/8"	12 3/8"	2 1/8"	23 3/16"	3 3/4"	12 3/8"	2"	8 3/16"	3 7/16"
10'6"AX	Gun	10'5 7/8"	12 3/8"	2 5/8"	23 3/16"	4 1/4"	12 3/8"	2 1/2"	8 3/16"	3 7/16"
10'8"BG	Gun	10'8 1/4"	16 3/4"	2 13/16"	25 9/16"	4 9/16"	15 13/16"	2 3/4"	7 15/16"	3 7/16"
10'8"C	Longboard	10'8 1/8"	21 7/16"	2 3/4"	26 9/16"	4 5/16"	18 9/16"	2 7/8"	4 15/16"	3 7/8"
10'8"Y	Longboard	10'7 5/16"	20 1/2"	2 9/16"	25 1/2"	3 3/4"	17 3/8"	2 1/2"	5 1/4"	3 5/8"
10'10"T	SUP	10'9"	25 3/8"	2 7/8"	32 1/16"	5"	21 15/16"	3 9/16"	5 1/8"	3 1/16"
11'3"D	Longboard	11'2"	19 9/16"	2 7/16"	26 7/8"	4 7/32"	17 9/16"	2 11/16"	5 3/8"	3 1/4"
11'8"BG	Gun	11'8 15/16"	17 1/16"	2 13/16"	26 3/8"	4 3/4"	15 15/16"	2 7/8"	8 3/8"	3 9/16"

WHOLESALE - US Blanks is a wholesale distributor, selling only to customers engaged in resale.

QUANTITY DISCOUNTS - US Blanks offers a percent discount based on a single shipment quantity. To qualify, an order must be placed for a single delivery to a single location. If US Blanks cannot supply the blanks as requested, the quantity discount will be honored. The higher percentage discount between **QUANTITY DISCOUNT** and **ANNUAL DISCOUNT** will be used to price an order.

ANNUAL DISCOUNT - US Blanks offers a percentage annual discount based on the dollar volume of sales over a twelve month period. At least every six months all accounts will be reviewed and adjusted per the discount schedule below.

Customers may request a review of their annual discount at any time, based on the prior six month purchasing history. There will be no retroactive increases or decreases based on adjusted discount. US Blanks may negotiate an annual discount for a new customer based on prior history, which will be adjusted in six months based on actual purchases.

For a full US Blanks Discount Policy please contact our office.

DELIVERY - Delivery will be at no charge to delivery points in Southern California within our normal local delivery area. Exact delivery dates are not set, however we will deliver to each area at least once per week. Delivery to the Central Coast areas will be approximately every 3-4 weeks and will have a small per blank delivery charge based on blank size.

To qualify for delivery, customers must provide an acceptable commercial location to receive blanks within normal business hours. Alternate drop off points, keys, or other arrangements are requested to insure an efficient delivery.

Delivery outside our normal route will only be considered based on location and delivery back log. Delivery outside our normal route (or excess re-scheduling of deliveries) will be charged an hourly delivery rate from and to the closest stop, or require a minimum number of blanks be purchased.

Delivery priority will be based on a combination of oldest order first, combined with manufacturing requirements.

STANDARD OF QUALITY – Imperfect inspection, shipping and handling damage, and small variations in quality must be accepted uniformly by all customers. Special inspection and sorting is not allowed. Damage and inspection mistakes will be corrected where practical. All blanks will be considered **FIRST Quality** unless marked **SECOND**. All blanks sold will be structurally sound. Blanks that are determined by US Blanks to be structurally unsound will be destroyed.

Blanks will be marked as a **SECOND** if there is a flaw that limits the size board that can be made from a blank, a cosmetic problem, or a blemish that requires limited filling.

SECONDS will be priced based on supply and demand. **SECONDS** are sold “AS IS” and are not eligible for return.

SUB-STANDARD BLANKS – US Blanks will do our best to accurately determine the quality of a blank. Occasionally we may error, a flaw may not be visible until a blank is shaped, or a blank may become damaged under the control of US Blanks. If any of these circumstances should occur, US Blanks will remedy the situation to the customer's satisfaction by either giving a price credit between the cost of the purchase price and a **SECOND** price, or replacing the blank with a duplicate.

To be eligible to have the blank replaced the original blank must be returned to US Blanks or their distributor.

US Blanks will not accept for return or credit any blank that is damaged while in the control of the customer. Handling damage in transit by a common carrier will be negotiated.

Returns or credits normally will not be allowed for blanks that we cannot identify as a US Blank, or if the fault cannot be determined. Once a flaw is identified, we encourage stopping work on a blank if a return or credit is going to be requested. Costs incurred beyond the point of identifying the flaw will be the responsibility of the shaper.

Requests for credits due to a quality issue must be made within six months of the purchase date.

SHAPING CREDIT - In addition to a replacement blank, the following fee will be credited to customers who have shaped a blank, either with a machine or by hand, that has been determined to be an inferior product, based on US Blanks quality standards. The original blank must be returned to be eligible for the replacement blank and shaper's credit. In lieu of this fee, a second single stringer blank may be negotiated.

FINISHED BOARDS / FAULTY FOAM – Once glassed, it is very difficult to determine foam failure in a finished board. Shaping and glassing integrity, and customer use, all affect the strength of the finished board. Most structural problems with a blank should be identified in the shaping and/or glassing processes. US Blanks will guarantee its blank in those rare circumstances that a structural problem cannot be detected during shaping or glassing, providing the foam is tested and proven to be faulty.

To be tested, US Blanks will require a piece of the finished board which we will test in comparison to a stock blank. Original blank size and density will be required to complete testing. All tests will be completed at the expense of US blanks.

If the foam is found faulty, we will pay up to but no more than the direct cost of material, supplies, and labor upon receipt of documentation.

If the foam is found faulty, and the customer wishes to repair the board and sell at a discount, US Blanks will cover the direct costs of repairing the board and the discount of the selling price.

US Blanks will not guarantee normal wear and tear on a surfboard, including but not limited to discoloration, cosmetic flaws, twist, dents, dings, small delaminations, excessive heat exposure, or broken boards.

RETURNS – US Blanks will accept First Quality blanks for return if they meet all of the following criteria:

- Standard stringer & rocker – no custom glue-ups
- Blank is in acceptable, First Quality condition
- No more than 30 days from purchase date

All returns will be subject to a 25% re-stocking fee.

REVISIONS TO SALES POLICY – US Blanks reserves the right to revise this Sales Policy at any time. Customers may request a current copy of this policy at any time. Each revision will be numbered and dated.

It is our goal to adhere to this Sales Policy consistently and fairly to all customers. Should a customer feel they are not being sold to in accordance to this policy we would like it brought to the attention of the owners. Retro-active retribution will be instated if an error in administering this policy was found. US Blanks will not be liable or pay for costs, damages, etc. sustained by non-conformance to this policy.

USBlanks™

SOLARMADE IN THE USA



SOLARMADE
IN THE USA
USBLANKS.COM

BY THE SUN, FOR THE OCEAN

Established 2006
Product of Los Angeles, California

USBlanks.com @USBlanks
(310) 225-6774