



# SAFETY APPAREL & EQUIPMENT

SAFETY. The one word every organization places at the top of the list when thinking about an employee. Jetstream understands the importance of conducting a safe environment when working in any high pressure waterblasting application. From personal protective equipment (PPE) to caution tape and signage, Jetstream provides a complete line of safety products to ensure a well protected jobsite and operator safety.

Products included in this section:

### Visual Safety System

- Jetstream's pioneered Visual Safety System
- Safety protection through color coding of parts
- Guns, Foot Guns, Hoses, Lances, Fittings and Decals

### Safety Shrouds

- Standard Waterblasting Safety Shrouds
- TST Hose Shrouds
- TST Hose Connection Covers
- Covered Safety Whips

### Flex Lance Safety

- Hand-Held Lance Grip & Accessories
- Pipe and Tube Cleaning Exit Safety Devices

### Personal Protective Equipment (PPE)

- TurtleSkin® WaterArmor
- TST® Waterjet Protection

### Safety Accessories

- Safety Glasses, Goggles, Boots and Gloves
- Face Shield, Hard Hats, and Ear Protection
- Protection Suits

### Safety Tape, Signs and Decals

### Safety Hose Checks

- Nylon
- Stainless Steel



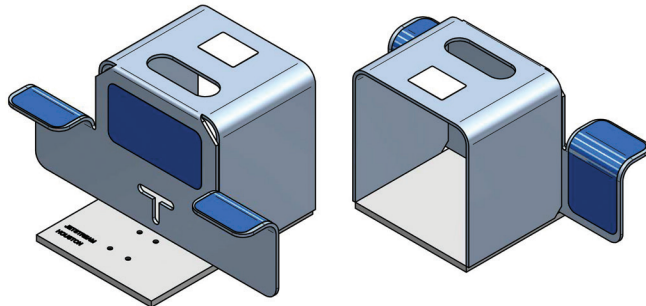
## VISUAL SAFETY SYSTEM

### PROTECT YOUR WORKERS AND THE WATERBLASTING EQUIPMENT WITH JETSTREAM'S VISUAL SAFETY SYSTEM.

Ensuring the operator is using the correct equipment is now identifiable from a distance. Jetstream's Visual Safety System uses highly visible and color-matched decals and additional makers to clearly show waterblast components in use are correctly and safely suited to current pump pressures.

Jetstream is now following the WJTA recommended colors to visually identify the pressure being used on a job site:

- 10,000 psi – YELLOW
- 15,000 psi – GREEN
- 20,000 psi – BLUE
- 40,000 psi – ORANGE



**Hoses and Lances**—Identifying a pressure of a supply hose and lance will now be easy. Supply hoses with the abrasion cover spiral will be orange. Beginning in 2015, all flex lances supplied by Jetstream for 20,000 psi will be blue from end to end.



**Fittings**—Several adapters, couplings and connectors are now available with blue xylan coating. See the Section E. Additional fittings can be color-coded upon request.

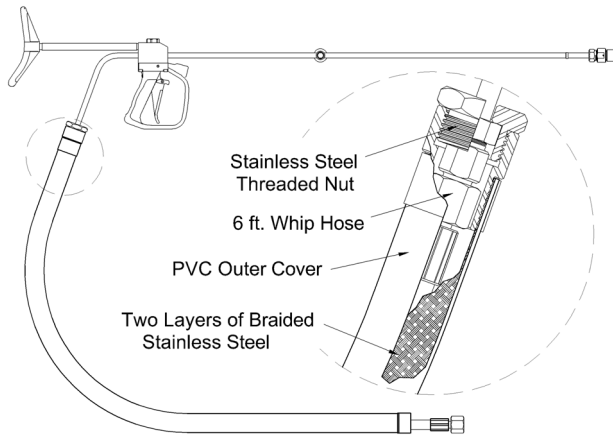


**Visual Safety System Decals** are highly visible and brightly colored to provide operators and supervisors with visual confirmation that all waterblast components, not colored, are appropriately matched to pressure ratings.  
**Part no. 71743**

**SAFETY**

# SAFETY

20,000 PSI



## SAFETY SHROUDS

Designed for use with 20,000 psi control guns that have medium pressure inlet connections (non-DuraSafe™), these safety shroud assemblies improve operator protection in the event of a hose or end fitting failure by completely enclosing the hose and connection fittings. Assemblies include shroud, nut, and a six foot whip hose, or items can be purchased individually.

- Shroud is constructed of flexible, durable, and abrasion resistant thermoplastic around two layers of stainless steel braiding for maximum protection.
- Shroud is easily fastened or removed from rear barrel of control gun by a stainless steel nut which fits over connection fittings.
- Whip hoses are six foot lengths of waterblast hose designed to be a cost effective solution for ensuring operator safety. They are meant to be replaced at regular intervals to ensure that the hose nearest the operator's body is always in good condition.
- Contact factory for connection types other than those listed below

PART NO.	LENGTH		HOSE CONNECTION*	HOSE I.D.		REPLACEMENT PARTS				MAX. OPERATING PRESSURE	
	ft	m		in	mm	SHROUD	NUT	WHIP HOSE**	WHIP MATERIAL	psi	bar
J56223	6	1.8	1" Type M Female	.50	12.7	28860	55265	28347-0064242	Rubber	20,000	1,379
55259	6	1.8	20K Port Female	.39	9.9	28860	55265	28690-0064040	Plastic	20,000	1,379
56735	10	3.0	1" Type M Female	.50	12.7	28860-10	55265	28347-0064242	Plastic	20,000	1,379

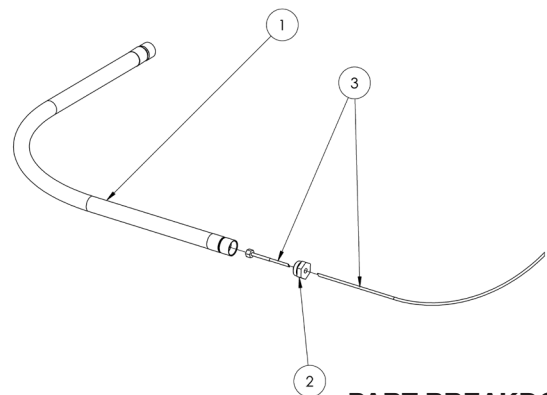
\*See Page I-5 for a description of each connection type.

\*\*Whip Hoses listed do not have abrasion or burst shield guards and are not intended for use near an operator without a safety shroud.

### Related parts

**Part No. 57126** 9/16" MP Female x 1" Type M adapter (used field repairable guns)

**Part No. 52181** (used of 55259 shroud)



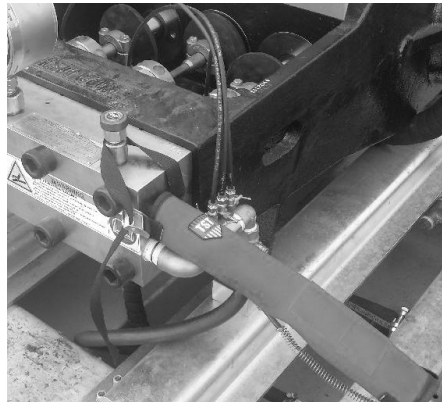
**PART BREAKDOWN**

ITEM	PART NO.	DESCRIPTION
1	28860	Shroud
2	28861	Nut
3	See Above	Whip Hose



## TST HOSE SHROUDS

PART NO.	SIZE
59008	36mm ID x 750mm long
59009	36mm ID x 1400mm long
59010	36mm ID x 180mm long
59011	47mm ID x 1400mm long swivel
59012	59mm ID x 750mm long
59013	59mm ID x 1400mm long
59014	59mm ID x 1800mm long



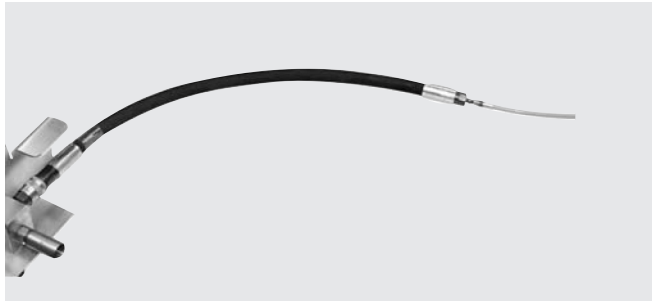
## HOSE CONNECTION COVER

Perfect use to protect connections on pumps or foot panels. The cover has an adjustable strap and the other end has two loops for flexible use.

PART NO.	SIZE
62257	50mm ID x 400mm long

# SAFETY

20,000 PSI



## STRAIN RELIEF HOSE

Used for flex lance applications, the strain relief hose prevents kinking of the flex lance to extend service life.

- Rubber hose material is more flexible and manageable than thermoplastic flex lance material.
- Connects the foot control gun and the flex lance.

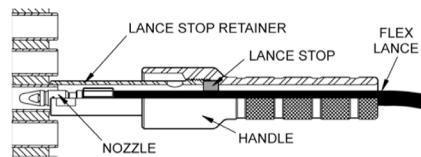
PART NO.	LENGTH		INLET CONNECTION* (TO FOOT GUN)	OUTLET CONNECTION* (TO FLEX LANCE)	HOSE I.D.		MAX. OPERATING PRESSURE	
	ft	m			in	mm	psi	bar
55260	3	0.9	Jetstream 20K QD Male	9/16" Jetstream 20K QD Male	.39	9.9	20,000	1,379

\*See Page I-5 for a description of each connection type.  
 \*\*Part No. 52041 needed to connect to foot gun.



## FLEX LANCE SAFETY GRIP

For use in flex lance tube cleaning operations, the safety grip prevents a nozzle from unexpectedly exiting a tube by providing a stop through which the sleeve of the flex lance will not pass. Package includes handle, lance stop retainer for use on tubes up to 3/4" O.D. Choose lance stop below (not included). **Part No. 54164**



Flex Lance Safety Grip Part Number 51024

## SAFETY GRIP ACCESSORIES

### Lance Stops

Choose lance stops below based on flex lance ID.



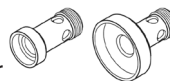
Lance Stops

LANCE STOP PART NO.	FLEX LANCE SERIES NUMBER	FLEX LANCE NOMINAL I.D.	
		in	mm
51044	51952	.16	4.0
51038	51953	.20	5.0
51038	51954	.25	6.3
51779	53816	.32	8.0

\*Included in package above.

### Lance Stop Retainers

Choose lance stop retainers based on the outside diameter of the tube to be cleaned.



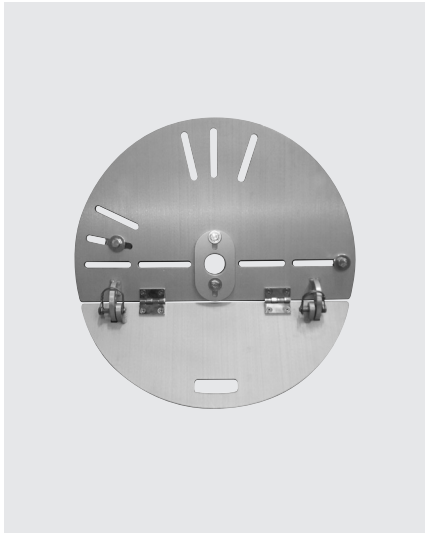
PART NO.	LENGTH
51055	for tubes up to 3/4" O.D. (included with safety grip)
51425	for tubes up to 1" O.D.
51427	for tubes up to 2" O.D.



### Safety Grip Shield

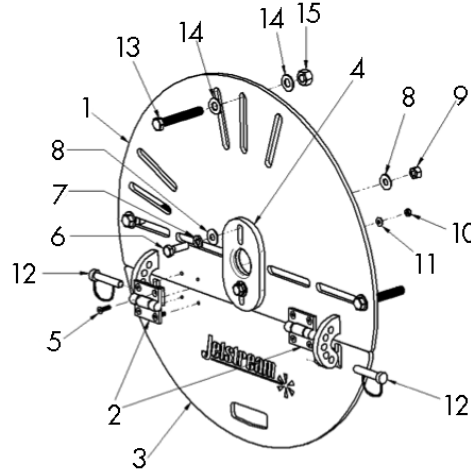
Clear, plastic shield attaches to the safety grip handle to deflect water exiting the tube. **Part No. J55785**

SAFETY



## JETSTREAM PBA

The Jetstream Pipe Blast Armor is anti-withdrawal device used for pipe cleaning applications with pipes ranging from 5"-18". With the multiple mounting location points, the PBA provides complete pipe coverage with a lockable shutter to allow large debris removal. **Part No. 61447**



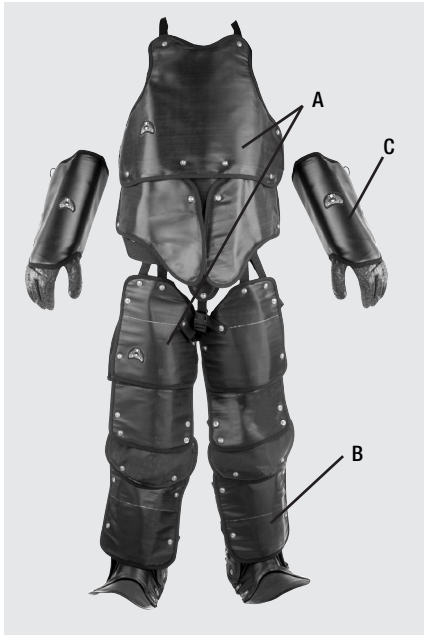
### PART BREAKDOWN

ITEM	PART NO.	DESCRIPTION	ITEM	PART NO.	DESCRIPTION
1	61283	Pipe Cover	9	26562	Nut
2	61448	Shield Door Hinge	10	27449	Nut
3	61284	Tilt Panel	11	J70804	Washer
4	61288	Adjustment Plate	12	61449	Locking Pin
5	61461	Capscrew	13	61450	Capscrew
6	27126	Capscrew	14	59229	Washer
7	25249	Washer	15	26834	Nut
8	25251	Washer			

**SAFETY**

**SAFETY**

20,000 PSI



**TURTLESKIN® WATERARMOR**

Provides waterblast operators with a level of protection available from high-pressure waterjets.

- Proven protection up to 40,000 psi (2750 bar)
- Lightweight, hinged panel design provides flexibility without fatigue
- Modular design—buy only what you need
- Open back keeps operator cooler longer

ITEM(S)	PART NO.	DESCRIPTION
A	27885C*	Safety Suit—Torso & Chaps
B	27884	Gaiters (Shins & Feet)
C	28589	Gauntlets (Hands & Forearms)

\*Duffel bag included.

**TST® WATERJET PROTECTION**

TST® products provide protection to the operator without compromising on comfort or quality. Two levels of protection are offered depending on the protection needs and working pressures. See below for specific protection levels.

PROTECTION LEVEL*	COLOR IDENTIFIER	SINGLE JET	ROTARY JET
10/28	YELLOW	14,500 psi/1000 bar	40,600 psi/2800 bar
20/30	ORANGE	30,000 psi/2000 bar	43,500 psi/3000 bar

\*Protection levels are located on all articles for quick identification.



**TST® GAMMA KIT**

Trousers and jacket with integrated hand protection.

**PROTECTION LEVEL 10/28**

PART NO.	VENTILATED PART NO.*	SIZE
58962	58962-V	S/M
58901	58901-V	L/XL
58902	58902-V	2XL/3XL
58973	58973-V	4XL/5XL
58975	58975-V	6XL

**PROTECTION LEVEL 20/30**

PART NO.	VENTILATED PART NO.*	SIZE
58963	58963-V	S/M
58964	58964-V	L/XL
58965	58965-V	2XL/3XL
58974	58974-V	4XL/5XL
58976	58976-V	6XL

\*Ventilated products consist of tubing throughout the suit with holes every five inches for complete coverage. (A cooling tube will need to be purchased with this system, as well. See page H-10.)



**TST® DELTA KIT**

Trousers, waistcoat, and hand protection.

**PROTECTION LEVEL 10/28**

PART NO.	VENTILATED PART NO.*	SIZE
58956	58956-V	S/M
58957	58957-V	L/XL
58958	58958-V	2XL/3XL

**PROTECTION LEVEL 20/30**

PART NO.	VENTILATED PART NO.*	SIZE
58959	58959-V	S/M
58960	58960-V	L/XL
58961	58961-V	2XL/3XL

\*Ventilated products consist of tubing throughout the suit with holes every five inches for complete coverage. (A cooling tube will need to be purchased with this system, as well. See page H-10.)



**TST® SIGMA KIT**

Waistcoat & overall with integrated hand protection.

**PROTECTION LEVEL 10/28**

PART NO.	SIZE
58944	S
58945	M
58946	L
58947	XL
58948	2XL
58949	3XL

**PROTECTION LEVEL 20/30**

PART NO.	SIZE
58950	S
58951	M
58952	L
58953	XL
58954	2XL
58955	3XL



**TST® TROUSERS**

Individual item.

**PROTECTION LEVEL 10/28**

PART NO.	VENTILATED PART NO.*	SIZE
58966	58966-V	S/M
58967	58967-V	L/XL
58968	58968-V	2XL/3XL

**PROTECTION LEVEL 20/30**

PART NO.	VENTILATED PART NO.*	SIZE
58969	58969-V	S/M
58970	58970-V	L/XL
58971	58971-V	2XL/3XL

\*Ventilated products consist of tubing throughout the suit with holes every five inches for complete coverage. (A cooling tube will need to be purchased with this system, as well. See page H-10.)



## SAFETY

20,000 PSI



### TST® JACKET

Integrated hand protection. Individual item.

#### PROTECTION LEVEL 10/28

PART NO.	SIZE
58972	S/M
58973	L/XL
58974	2XL/3XL

#### PROTECTION LEVEL 20/30

PART NO.	SIZE
58975	S/M
58976	L/XL
58977	2XL/3XL
59492	4XL/5XL



### TST® WAISTCOAT

Individual item.

#### PROTECTION LEVEL 10/28

PART NO.	SIZE
58978	M-2XL
58979	3XL

#### PROTECTION LEVEL 20/30

PART NO.	SIZE
58980	M-2XL
58981	3XL



### TST® OVERALL

Integrated hand protection. Individual item.

#### PROTECTION LEVEL 10/28

PART NO.	VENTILATED	SIZE
58982	58982-V	S
58983	58983-V	M
58984	58984-V	L
58985	58985-V	XL
58986	58986-V	2XL
58987	58987-V	3XL

#### PROTECTION LEVEL 20/30

PART NO.	VENTILATED	SIZE
58988	58988-V	S
58989	58989-V	M
58990	58990-V	L
58991	58991-V	XL
58992	58992-V	2XL
58993	58993-V	3XL



### TST® HAND PROTECTION

Sold separately.

#### PROTECTION LEVEL 10/28

PART NO.	SIZE
58904	LEFT
58905	RIGHT

#### PROTECTION LEVEL 20/30

PART NO.	SIZE
58998	LEFT
58999	RIGHT



**TST® APRON**

One size fits all. Individual Item.

PART NO.	PROTECTION LEVEL
58903	10/28
58997	20/30



**TST® WAISTCOAT W/APRON**

One size fits all. Individual Item.

PART NO.	PROTECTION LEVEL
58995	10/28
58996	20/30



**TST® BOOTS 3000**

PART NO.	SIZE APPROX. US MEN
59000	8.5
59001	9
59002	10
58932	11
59003	12
59004	13
59005	14



**TST® GAITERS**

One size fits all. Pair.

PART NO.	PROTECTION LEVEL
59007	20/30



**TST® BALACLAVA**

Offers no waterjet protection.

PART NO.	PROTECTION LEVEL
59006	N/A



**TST® PRO-OPERATOR GLOVES**

Includes inner gloves. Pair.

PART NO.	PROTECTION LEVEL
60396	5/5/2



**TST® GREASE REMOVER**

PART NO.	L
59015	0.5
59016	2.5

**VORTEX COOLER TUBE**

Personal Air Conditioner. For full body cooling, a 25cfm or 35cfm tube is recommended. If the tube is not sized for the available air supply, it will perform poorly. Not shown.

PART NO.	CMF
61415	25 CFM
51416	35 CFM

**SAFETY ACCESSORIES**



**Part No. J70316  
Safety Glasses  
PREMIUM**  
Clear/Gray anti-fog lens, adjustable nose pad, scratch resistant, UV-blocking, Z87+ approved.

**Part No. J70317  
Safety Glasses  
PREMIUM**  
Gray/Gray anti-fog lens, adjustable nose pad, scratch resistant, UV-blocking, Z87+ approved.

**Part No. J70318  
Safety Glasses  
ECONOMY**  
Scratch resistant, UV-blocking.



**Part No. 25620  
Safety Goggles**  
Soft frame with impact and chemical splash protection, anti-fog lens, Neoprene strap, Z87+ approved.



**Part No. 26255  
Face Shield  
Clear**  
Multiple mounting slots. Polycarbonate.

**Part No. 26255T  
Face Shield Tinted**  
Multiple mounting slots. Polycarbonate.

**Part No. 26255V  
Face Shield Clear with Velcro**  
Multiple mounting slots with velcro strip. Polycarbonate.



**Part No. J70321  
Ear Plugs**  
Uncorded w/noise reduction rating: 33 Molded Polyurethane Foam.

**Part No. 25621  
Universal Face Shield Bracket**  
Fits the brim of most hard hats. Aluminum.



**Part No. J70315  
Hard Hat**  
White, six-point nylon suspension w/ ratchet knob. Hard Plastic.

**Part No. 25625  
Hard Hat**  
White, six-point nylon suspension w/pin-lock adjustment. Hard Plastic.



**Part No. J70322  
Ear Plugs**  
Corded w/noise reduction rating: 30 Molded Polyurethane Foam.



**Part No. J70324-size  
Premium 16" Boots**  
Steel toe, waterproof, meets ANSI Z41 PT99 Sect 1, 2, & 5. SIZE 6 to 14. Black/ Yellow Rubber.

**Part No. 27168-size  
Economy 16" Boots**  
Steel toe and waterproof. SIZE 7 to 13. Black Rubber.

**Part No. J70326-size  
12" Boots**  
Steel toe, waterproof, meets ANSI Z41 PT99 Sect 1. SIZE 6 to 14. Copper/Tan Neoprene.



**Part No. 26894  
Shin & Foot Guards**  
Padded instep and nylon straps. Aluminum.



**Part No. J70323-size  
Water Protection Suits**  
Jacket, bib overall pants & face shield bib. PVC/Polyester. SIZES M-5XL

**Part No. 25617-size  
Water Protection Suits**  
Jacket and bib overall pants. PVC/Polyester. SIZE M-7XL



**Part No. 25624  
Gloves**  
14" PVC/NITRILE. Chemical resistant with rough finish. Fully coated w/jersey lining. SIZE 10.

**Part No. J70327  
Gloves**  
12" PVC Rough finished gloves. Cotton Lining. SIZE 10.

SAFETY

# SAFETY

20,000 PSI

## SAFETY TAPE, SIGNS AND DECALS



**Part No. 26247**  
**Health Hazard**  
**Caution Sign**  
14" x 10"



**Part No. 26253**  
**Restricted Caution**  
**Sign**  
14" x 10"



**Part No. 25614**  
**Waterblasting**  
**Danger Sign**  
14" x 10"



**Part No. 28501**  
**Safety Warning**  
**Sticker**



**Part No. 57998**  
**Safety Tape**  
**"Caution:**  
**Waterblasting**  
**in Progress"**  
Dimensions:  
3' x 300ft  
75mm x 90 m



**Part No. J70413**  
**Safety Tape**  
**"Danger:**  
**Hydroblasting"**  
Dimensions:  
3' x 1000ft  
75mm x 300 m

**Part No. 71147**  
**Safety Warning**  
**Decal Set**  
(Unit and Fluid End)

**Part No. 71147-FE**  
**Safety Warning**  
**Decal Set**  
(Fluid End Only)

**Part No. 29956**  
**Jetstream Unit**  
**Decal - Blue**

**Part No. 26717**  
**Jetstream Unit**  
**Decal - White**

**Part No. 71743**  
**20K Color Coded**  
**Pressure Decal**

**Part No. 29263**  
**Safety Warning**  
**Medical Card**

## SAFETY HOSE CHECKS



**Part No. 27863**  
**Nylon Hose Check**  
One Size Fits All



**Part No. 52242**  
**Steel Hose Check**  
For hoses smaller  
than 1" I.D.

**Part No. 53412**  
**Steel Hose Check**  
For 1" I.D. or larger