

KELBLYS

A HIGHER LEVEL OF ACCURACY

Watch our product videos on



www.kelbly.com

330.683.4674



KELBLYS

A HIGHER LEVEL OF ACCURACY

RIFLE ACTIONS

The Stolle Family of Rifle Actions

ALUMINUM ACTIONS

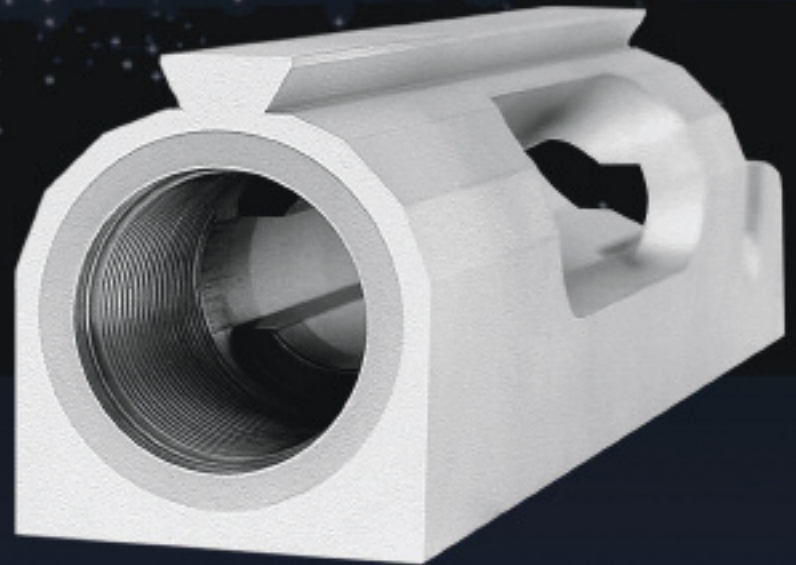
The use of aluminum in rifle actions has been the ultimate goal of many people for a number of decades. First developed by Ralph W. Stolle in the late 60's and the early 70's, the Stolle line of actions emerged after many changes in design and techniques. The rigidity and light weight characteristics are highly desirable features, a must in today's competitive benchrest rifles. Made entirely of 7075-T651 aircraft aluminum and 4140 alloy steel, they insure the optimum in stiffness and durability.

The Panda action pictured here gives a good view of the steel insert used in the thread/locking lug area.

All aluminum models are of the square, flat-bottomed design to give a much greater and longer-lasting bedding area, which is desirable in precision rifles. Lightness in weight affords the use of heavier and stiffer barrels as well as aiding in balance. All models employ an integral full length 60° degree dovetail or Picatinny style rail on the top. Either rib style is available parallel to or tilted 0° 20' to the bore for long range use. This rib serves a dual purpose — added basic stiffness, plus built-in high precision scope mount bases.

OPTIONAL TG EJECTOR

The TG Ejector, developed in house by Tom Griffin, is a mechanical ejector that solves problems encountered in using spring based ejectors. This ejector requires an action designed specifically for its use.

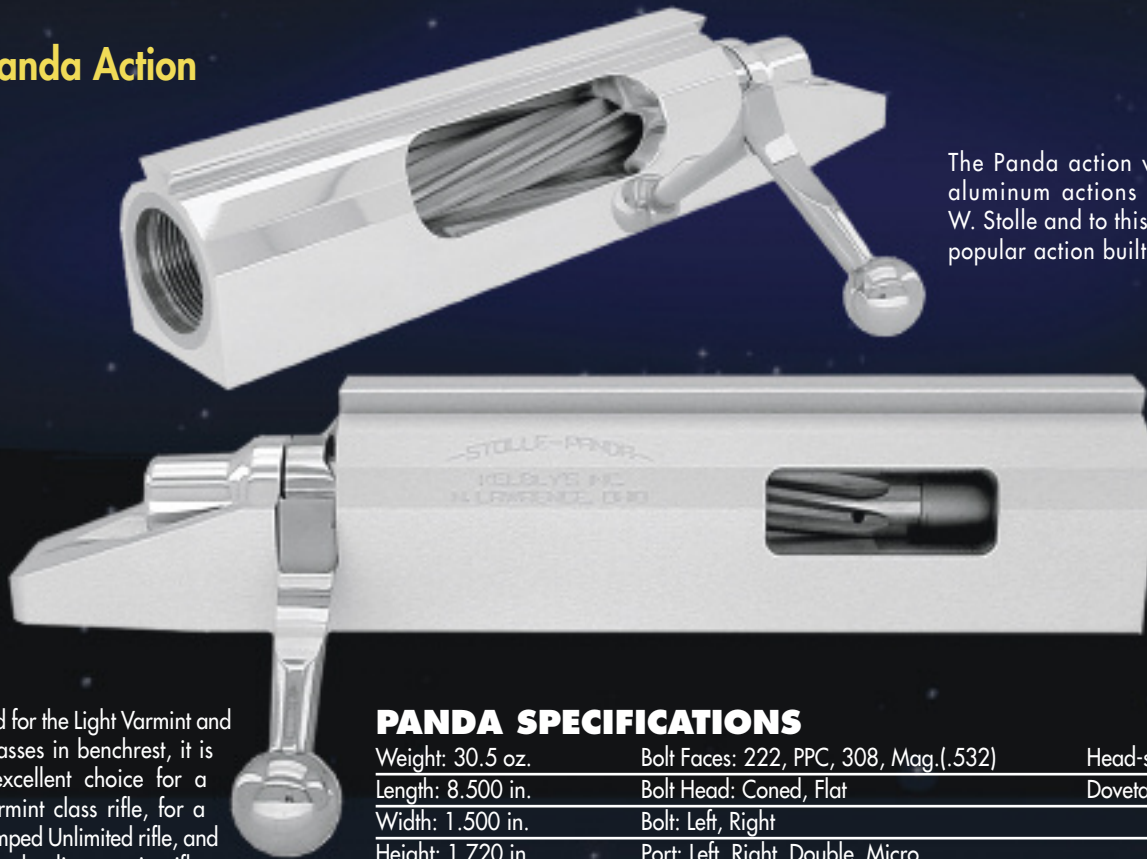


STEEL ACTIONS

Kelbly's entry into steel action manufacture has led to the revival of the Grizzly name for the stainless or chrome moly Grizzly II centerfire action. The Atlas action was added in 2009 as a Remington semi-clone, and is available with or without a magazine. The actions have a 416R stainless steel body and a 4140 alloy steel bolt. They also use a trigger bracket that accepts Remington style triggers.



The Panda Action



The Panda action was the first of the aluminum actions designed by Ralph W. Stolle and to this day is still the most popular action built by Kelbly's Inc.

Most suited for the Light Varmint and Sporter classes in benchrest, it is also an excellent choice for a Heavy Varmint class rifle, for a barrel-clamped Unlimited rifle, and for a single shot live varmint rifle.

The Panda is available in either standard length or .850 inches longer with an integral recoil lug. Optional with the Panda is a micro port in right bolt/left full size or Shorty main port, left bolt/right full size or Shorty main port, right bolt/right Shorty main port or left bolt/left Shorty main port configurations. The Panda with a Shorty main port has a shorter bolt travel for faster shooting.

PANDA SPECIFICATIONS

Weight: 30.5 oz.	Bolt Faces: 222, PPC, 308, Mag (.532)	Head-space: 1.115 in.
Length: 8.500 in.	Bolt Head: Coned, Flat	Dovetail: Standard
Width: 1.500 in.	Bolt: Left, Right	
Height: 1.720 in.	Port: Left, Right, Double, Micro	

LONG PANDA SPECIFICATIONS

Weight: 33.0 oz.	Bolt Faces: 308, Mag (.532)	Head-space: 1.115 in.
Length: 9.350 in.	Bolt Head: Flat	Dovetail: Standard
Width: 1.500 in.	Bolt: Left, Right	
Height: 1.720 in.	Port: Left, Right, Double, Micro	

STANDARD WITH THE PANDA

- Aluminum bolt plug • Trigger bracket and screws • Rear allen head guard screw • Spiral fluted bolt
- Aluminum trigger guard • Grease

PANDA DIMENSIONS



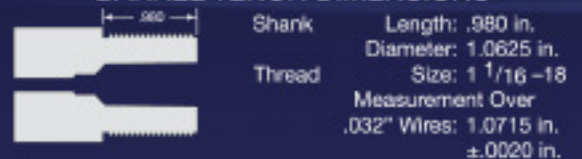
BARREL TENON DIMENSIONS



LONG BIG BORE PANDA DIMENSIONS



BARREL TENON DIMENSIONS



www.kelbly.com

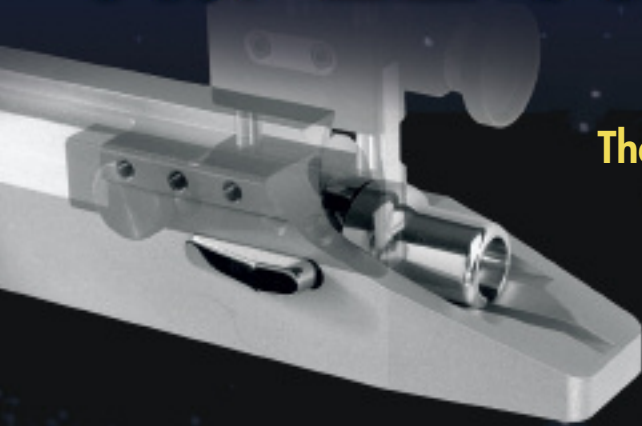
330.683.4674



KELBLYS

A HIGHER LEVEL OF ACCURACY

RIFLE ACTIONS



The Big Bore Panda Actions

PROVEN ACCURACY

The Big Bore Panda and Long Big Bore Panda actions are derivative of the standard Panda action and are designed for those competitors who need to use either a dovetail or side plate mounted iron sight. The Big Bore Panda's ribs are available in a narrower 60° dovetail or in a Picatinny style rail. The rib also can be parallel to the bore or with a 0° 20' tilt for long range use. The 60° dovetail has been narrowed to accept an Anshütz style iron sight. A side mount has been integrated into the design for a Redfield/Warner style sight as shown above.

Since these rifles usually use larger calibers than the standard benchrest rifles, an integrated recoil lug has also been added to increase the recoil area.

BIG BORE PANDA SPECIFICATIONS

BIG BORE PANDA

Weight: 31.5 oz.	Bolt Faces: 222, PPC, 308, Mag (.532)	Head-space: 1.115 in.
Length: 8.500 in.	Bolt Head: Coned, Flat	Dovetail: Parallel or 0° 20' Anshütz
Width: 1.500 in.	Bolt/Port: Left/Left or	Parallel or 0° 20' Picatinny
Height: 1.720 in.	Right/Right only	

LONG BIG BORE PANDA

Weight: 34.0 oz.	Bolt Faces: 308, Mag (.532)	Head-space: 1.115 in.
Length: 9.350 in.	Bolt Head: Flat	Dovetail: Parallel or 0° 20' Anshütz
Width: 1.500 in.	Bolt/Port: Left/Left or	Parallel or 0° 20' Picatinny
Height: 1.720 in.	Right/Right only	

STANDARD WITH THE BIG BORE PANDAS

Aluminum bolt plug • Trigger bracket and screws • Front, middle and rear allen head guard screws • Spiral fluted bolt • Aluminum trigger guard • Grease

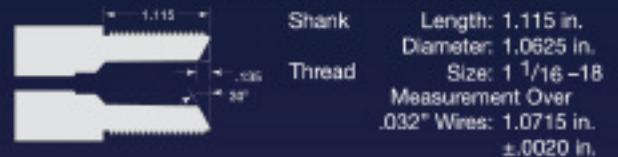
BIG BORE PANDA DIMENSIONS



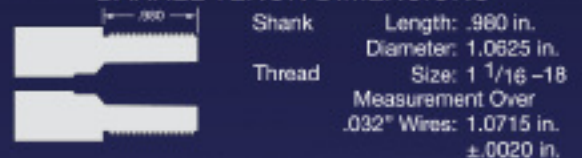
LONG BIG BORE PANDA DIMENSIONS



BARREL TENON DIMENSIONS



BARREL TENON DIMENSIONS





The F-Class Panda Actions

The F-Class Panda actions are a Panda variation designed for long range shooting. The dovetail or Picatinny rail is tilted 0°20' to compensate for bullet drop at greater distances. The F-Class Panda also includes an integral recoil lug to make it more suitable for use of larger calibers.

STOLLE CENTER-FIRE ACTION CHAMBERING INSTRUCTIONS

When chambering the barrel cut the tenon 1.0620" in diameter by 1.115" long for a Panda, Short Kodiak or Grizzly II, .980" long for a Long Big Bore Panda, Long F-Class, Long Kodiak or Long Grizzly II. .942" for a cone bolt Atlas, or .807" for a flat bolt Atlas. Leave rear end of barrel square for now.

Thread the tenon 1/16 inches in diameter by 18 threads per inch. If you are using the three-wire method to measure the threads the measurement should be 1.0715" plus .0000" or minus .0002" using 0.032" wires.

For a cone bolt run the chambering reamer in until the head-space gauge is flush with the rear of the barrel. For a flat bolt run the chambering reamer in until the measurement from the base of the head-space gauge to the shoulder of the barrel is 1.115".

For a cone bolt set the compound feed of the lathe to 30 degrees. Touch the tool to be used for cutting the cone at the chamber edge and lock the zeroed saddle stop against the saddle. Now back off the stop 0.135" and using the compound feed only cut the cone. This should give approximately 0.007" - 0.010" of space between the bolt and the barrel.

F-CLASS PANDA SPECIFICATIONS

F-CLASS PANDA

Weight: 30.5 oz.	Bolt Faces: 222, PPC, 308, Mag. (.532)	Head-space: 1.115 in.
Length: 8.500 in.	Bolt Head: Coned, Flat	Dovetail: 0° 20' Standard
Width: 1.500 in.	Bolt: Left, Right	0° 20' Picatinny
Height: 1.720 in.	Port: Left, Right, Double, Micro	

LONG F-CLASS PANDA

Weight: 33 oz.	Bolt Faces: 308, Mag. (.532)	Head-space: 1.115 in.
Length: 9.350 in.	Bolt Head: Flat	Dovetail: 0° 20' Standard
Width: 1.500 in.	Bolt: Left, Right	0° 20' Picatinny
Height: 1.720 in.	Port: Left, Right, Double, Micro	

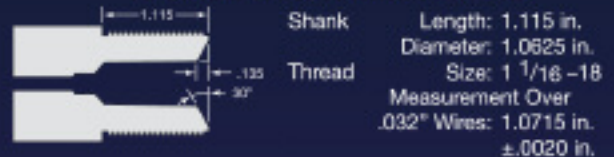
STANDARD WITH THE F-CLASS PANDA

- Aluminum bolt plug • Trigger bracket and screws • Rear allen head guard screw
- Spiral fluted bolt • Aluminum trigger guard • Grease

F-CLASS PANDA DIMENSIONS



BARREL TENON DIMENSIONS



LONG F-CLASS PANDA DIMENSIONS



BARREL TENON DIMENSIONS



KELBLYS

A HIGHER LEVEL OF ACCURACY

RIFLE STOCKS



KELBLY BRFB and HCFB

The Kelbly BRFB and HCFB bench stocks have a flat bottomed rear end and are available in either left or right hand configuration. The BRFB stock is used with the Panda action and has a 3 inch wide flat fore-end for use in the bench rest varmint classes. The approximate weight is 1 lb. 8 oz. and the length is 31 1/2 inches. The HCFB bench stock is used with the Kodiak action and has a 2 1/4 inch wide flat fore-end for use in the bench rest hunter class. This is also a good combination off-hand and bench stock for varmint hunters. The approximate weight is 1 lb. 8 oz. and the length is 30 3/4 inches. When ordering either stock please specify left or right bolt and left or right port.



EXAMPLE MOLD-IN COLORS

Molded-in coloring is available for all of the stocks, except the Panda Thumbhole, and is offered to help save on painting costs. Since stocks made in this way are basically finished on the exterior, they can have minor imperfections. These can include mold lines and structural cloth showing through the resin.

COLORS AVAILABLE

- Red • Green • White • Black • Blue
- Light Blue • Yellow • Orange • Gray
- Tan • Brown • Purple

These colors can be combined and/or have metal flake mixed in.

ROUGH-INS

Rough-ins are available for many action types. Not all rough-ins will work with every stock we make. The following lists most of what is available:

Stolle Panda, Kodiak, Grizzly II; BAT (generic);
Stiller Viper, Diamond Back; Nesika J;
Farley; Turbo; Hall Rimfire; Remington
700, 40X; Winchester 52C; Anshütz
54 (BRFB only) and 1.375", 1.430", 1.500",
1.600" generic rounds.



KELBLY GRAPHITE HUNTING

The Kelbly Hunting, a classic hunting style stock, is available in either hand. Rough-ins are available for the Stolle Kodiak, Stolle Grizzly II and 40X and 700 actions. When ordering please specify the action type being used and left or right bolt and left or right port. The approximate weight is 1 lb. 8 oz. and the length is 31 inches.



KELBLY GRAPHITE VARMINTER

The Kelbly Varminter has a beavertail fore-end and is available in right hand configuration only. Rough-ins are available for the Stolle Kodiak, Stolle Grizzly II and Remington 40X and 700 actions. When ordering please specify the action type being used with the stock. The approximate weight is 1 lb. 8 oz. and the length is 31 3/4 inches.



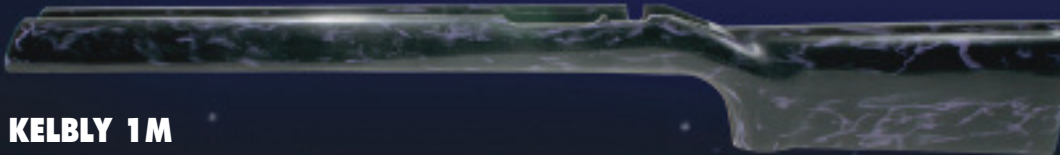
Kelbly 1M ADJUSTABLE

The Kelbly 1M is a new long range stock for 600, 1000 yd and F-Class competition. The stock has a 3 inch wide fore-end, a flat bottomed rear end and is available in either hand. When ordering please specify the action type being used and left or right bolt and left or right port. The standard approximate weight is 3 lb. and the length is 34 1/2 inches. Optional weights are 2 lb. 8 oz. to 18 lb.



KELBLY KLUB

The Kelbly Klub bench stock is available in either left or right hand configuration. The stock has a 3 inch wide flat fore-end for use in the bench rest varmint classes and has a flat bottomed rear end. When ordering please specify the action type being used and left or right bolt and left or right port. The approximate weight is 1 lb. 8 oz. and the length is 32 1/2 inches.



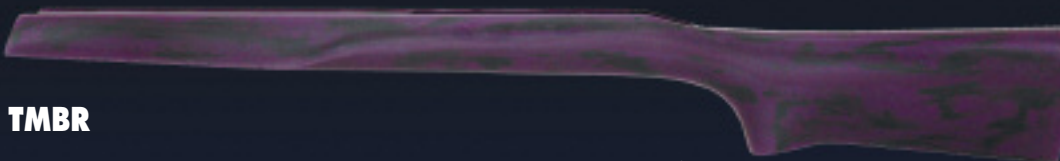
KELBLY 1M

The Kelbly 1M (shown in mold-in black with purple swirls) is a new long range stock for 600, 1000 yd and F-Class competition. The stock has a 3 inch wide fore-end, a flat bottomed rear end and is available in either hand. When ordering please specify the action type being used and left or right bolt and left or right port. The standard approximate weight is 3 lb. and the length is 34 1/2 inches. Optional weights are 2 lb. 8 oz. to 18 lb.



SPG FB

The SPG FB stock is for use in the bench rest varmint classes for those who like to shoot "free-recoil" and is available in either hand. The lack of a pistol grip reduces the chance of "pulling" a shot. The stock has a 3 inch wide fore-end and a flat bottomed rear end. When ordering please specify the action type being used and left or right bolt and left or right port. The approximate weight is 1 lb. 8 oz. and the length is 33 1/2 inches.



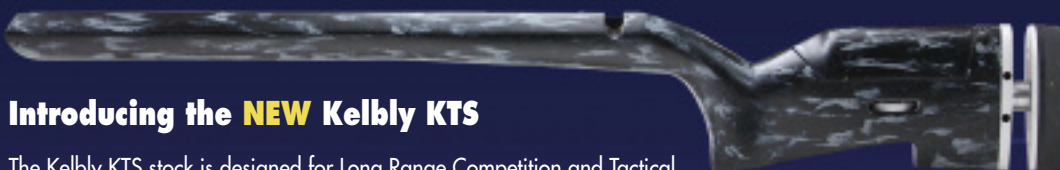
TMBR

The TMBR is a benchrest stock developed by Tom Meredith as his solution for a lower riding gun in the rest. The stock has a 3 inch wide fore-end, a flat bottomed rear end and is available in either hand. When ordering please specify the action type being used and left or right bolt and left or right port. The approximate weight is 1 lb. 8 oz. and the length is 32 1/4 inches.



KLP

The KLP is for use in varmint classes for "free recoil" shooting and is available in right or left hand. The stock has a lower profile than the SPG FB with taller sides, 3/4" at primary bag-riding area. 33 3/4" length and weighs 1 lb. 10 oz.



Introducing the NEW Kelbly KTS

The Kelbly KTS stock is designed for Long Range Competition and Tactical shooting. The KTS stock is based off of our 1M stock. It is available in right or left handed models. We can install an adjustable cheek piece, a Graco 3-way butt pad, a butt hook, or a beaver tail front end (2.5" wide). The standard weight is 3lbs. without additional options, with all options installed the stock weight 3lbs. 12 oz. The overall length without a butt pad is 34 1/2" inches and with the Graco butt pad installed the length is 36 1/4" to 37 1/2" depending on how the butt pad is adjusted.

PROVEN QUALITY

In 1999 Kelbly's Inc. started production of fiberglass/graphite stocks. Reinforced with fiberglass and/or graphite, the stocks are manufactured using Six Enterprise center-rib technology. To minimize cutting into the graphite/fiberglass shell the stocks are fabricated with the trigger guard, bolt handle, port and bolt stop cut-outs already molded in for most stocks. All stocks can have more weight added upon request.

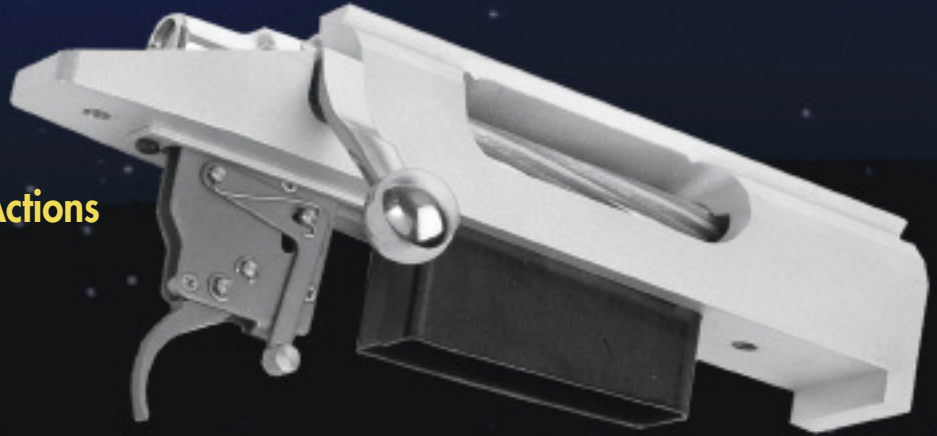
www.kelbly.com

330.683.4674



RIFLE ACTIONS

The Kodiak Actions



The standard Kodiak model is designed for the Hunter benchrest class. It is smaller in cross-section than the Panda and can contain a magazine port that will accept a small Remington 700 type of magazine or one of the newer extended length magazines.

The Long Kodiak was developed to allow extraction of a live 7mm Mag. or similar length cartridge. This action will accept a long Remington 700 magazine or one of the newer extended length magazines.

Both actions have an integral recoil lug and are available with or without a magazine. The actions with extended magazines are cut to accept AICS magazines. They make excellent actions for use in tactical and hunting rifles. If rounds are to be fed from the magazine, then a flat bolt is recommended for reliable feeding.

KODIAK SPECIFICATIONS

Weight: 28.0 oz.	Bolt Faces: 222, PPC, 308, Mag.(.532)	Head-space: 1.115 in.
Length: 8.500 in.	Bolt Head: Coned, Flat	Dovetail: Standard
Width: 1.400 in.	Bolt: Left, Right	Parallel or 0° 20' Picatinny
Height: 1.595 in.	Port: Left, Right, Double	

LONG KODIAK SPECIFICATIONS

Weight: 32.0 oz.	Bolt Faces: 308, Mag.(.532)	Head-space: 1.115 in.
Length: 9.350 in.	Bolt Head: Flat	Dovetail: Standard
Width: 1.400 in.	Bolt: Left, Right	Parallel or 0° 20' Picatinny
Height: 1.595 in.	Port: Left, Right, Double	

STANDARD WITH THE KODIAKS

- Aluminum bolt plug • Trigger bracket and screws • Rear allen head guard screw • Spiral fluted bolt
- Aluminum trigger guard • Grease



BARREL TENON DIMENSIONS

Shank	Length: 1.115 in.
	Diameter: 1.0625 in.
Thread	Size: 1 1/16 - 18
	Measurement Over
	.032" Wires: 1.0715 in.
	±.0020 in.

BARREL TENON DIMENSIONS

Shank	Length: .960 in.
	Diameter: 1.0625 in.
Thread	Size: 1 1/16 - 18
	Measurement Over
	.032" Wires: 1.0715 in.
	±.0020 in.

Watch our product videos on



The Atlas Action

The Atlas action is a Remington Semi-clone action, featuring a side bolt release and trigger hanger. This action can be easily fitted to any Remington 700/40x stock or chassis system with very little modification. The Atlas is made to extreme tolerances never heard of in a normal Remington action. The rear base is on a level plane with the front base, making it easier to have accurate alignment of optics.

Made of 416RS this action is very rugged and reliable. The bolt is made in house with 4140 alloy steel. We have designed the action to accept the AICS magazine boxes. We will accommodate the .223 and .222 rounds with a special magazine cut-out, please request if you intend to use one of these cartridges.

We use a 2-pin recoil lug on all Atlas actions, making a "bind" less likely to happen when changing barrels. Options for this action are single shot, magazine, fluted bolts, TG or Remington ejectors, and they are available in long or short action lengths.

ATLAS SPECIFICATIONS

ATLAS

Weight: 29.5 oz.	Bolt Faces: 222, PPC, 308, Mag.(.532)	Head-space: .692 in.
Length: 7.860 in.	Bolt Head: Coned, Flat	
Dia.: 1.355 in.	Bolt: Left, Right	Port: Left, Right

LONG ATLAS

Weight: 33.0 oz.	Bolt Faces: 308, Mag. (.532)	Head-space: .692 in.
Length: 8.710 in.	Bolt Head: Flat	
Dia.: 1.355 in.	Bolt: Left, Right	Port: Left, Right

STANDARD WITH THE ATLAS

Trigger bracket and screws • Rear allen head guard screw • Aluminum trigger guard • Grease



BARREL TENON DIMENSIONS

Shank	Length: .942 in.
	Diameter: 1.0625 in.
Thread	Size: 1 1/16 -18
	Measurement Over
	.032" Wires: 1.0715 in.
	±.0020 in.

BARREL TENON DIMENSIONS

Shank	Length: .807 in.
	Diameter: 1.0625 in.
Thread	Size: 1 1/16 -18
	Measurement Over
	.032" Wires: 1.0715 in.
	±.0020 in.

www.kelbly.com

330.683.4674



KELBLYS

A HIGHER LEVEL OF ACCURACY

SCOPE RINGS & BASES

Scope Rings



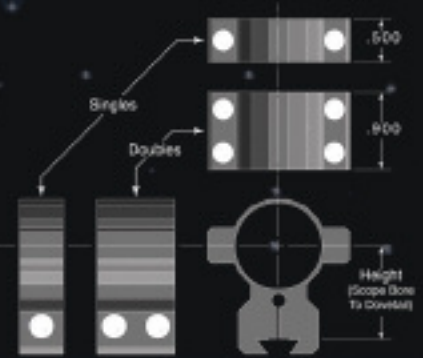
Polished



Bead Blasted



Black Anodized



Kelbly Scope Rings are made from 2024 aircraft aluminum, making them light, strong and tough. In the manufacturing process a 12 inch long bar is precision drilled and then placed on a mandrel, where several rings are machined at once on the bar. Two consecutive rings become a pair, which insures little variation in the pair. This eliminates the need to "lap in" the rings on well aligned bases.

1"	S/S	\$70
1"	D/S	\$80
1"	D/S Tall	\$105
1"	D/S Short	\$80
1"	S/S Tall	\$95
1"	D/S Big Bore	\$80
30mm	S/S	\$80
30mm	D/S Big Bore	\$110
30mm	D/S (Sideplate)	\$110
30mm	S/S Tall	\$105
30mm	D/S Tall (Sideplate)	\$130
30mm	Picatinny (Sideplate)	\$150
34mm	D/S (Sideplate)	\$130
34mm	Picatinny (Sideplate)	\$150
30mm	D/S 25 moa taper (Sideplate)	\$120
34mm	D/S 25 moa taper (Sideplate)	\$150

	HEIGHT (Scope bore to dovetail)	WEIGHT (oz/pair)		AVAILABLE WIDTHS	
		Singles	Doubles	Singles	Doubles
1" Short Panda	.8835	1.5	2.7	✓	✓
1" Panda	1.0835	1.7	3.0	✓	✓
1" Panda Big Bore*	1.0835	1.7	3.0	✓	✓
1" Panda Tall	1.5835	2.2	4.0	✓	✓
1" Rimfire	1.0835	1.5	—	✓	—
30mm	1.1344	1.7	3.5	✓	✓
30mm Big Bore*	1.1344	—	3.0	—	✓
30mm Tall	1.6344	2.1	4.5	✓	✓
30mm Picatinny	1.2839	—	5.0	—	✓
34mm	1.2839	—	4.5	—	✓
34mm Picatinny	1.2839	—	5.0	—	✓

* Big Bore Rings are for Big Bore Panda Actions only. They will not work on Anschutz Rifles.

WE NO LONGER MAKE COMBO SETS OF RINGS

All Rings Designated Sideplate Other Than Picatinny Rings are Rimfire and Kelbly Dovetail Capable.

Bases

Kelbly Scope Bases are made from 7075 aircraft aluminum and are for our stainless actions, Remington 700 actions and others.

The rings and bases are available in satin, anodized black semi-gloss and polished finishes.

One piece bases available for :
 Remington 700/40x short action/long action
 Thompson Center Arms Encore/Omega
 Ruger 10/22
 Savage Model 12
 Stolle Atlas Action Long/Short
 Stolle Grizzly Action Long/Short

Two piece bases available for :

- #1 - Bases- 1.370" Approx. to fit Small Hall, Wichita, and front ring of a Remington
- #2 - Bases- 1.740" Approx. to fit Hall B, and round sleeves of that diameter
- #3 - Bases- Flat Bottom to fit Flat topped sleeves, and Shilen DGA actions
- #4 - Bases- 1.500" Approx. to fit Medium Hall
- #5 - Bases- To fit rear bridge of a Remington 700 Short and Long Actions.
 Remington Base- #1 and #5 bases for Remington Short and Long Actions



Remington 700/40x Kelbly - 1 Piece (\$40), 2 Piece (\$35)

Remington 700/40x Picatinny 1 Piece - 0 MOA & 20 MOA- \$65

Savage Model 12 Kelbly - \$40 (Only Offered in One Piece)

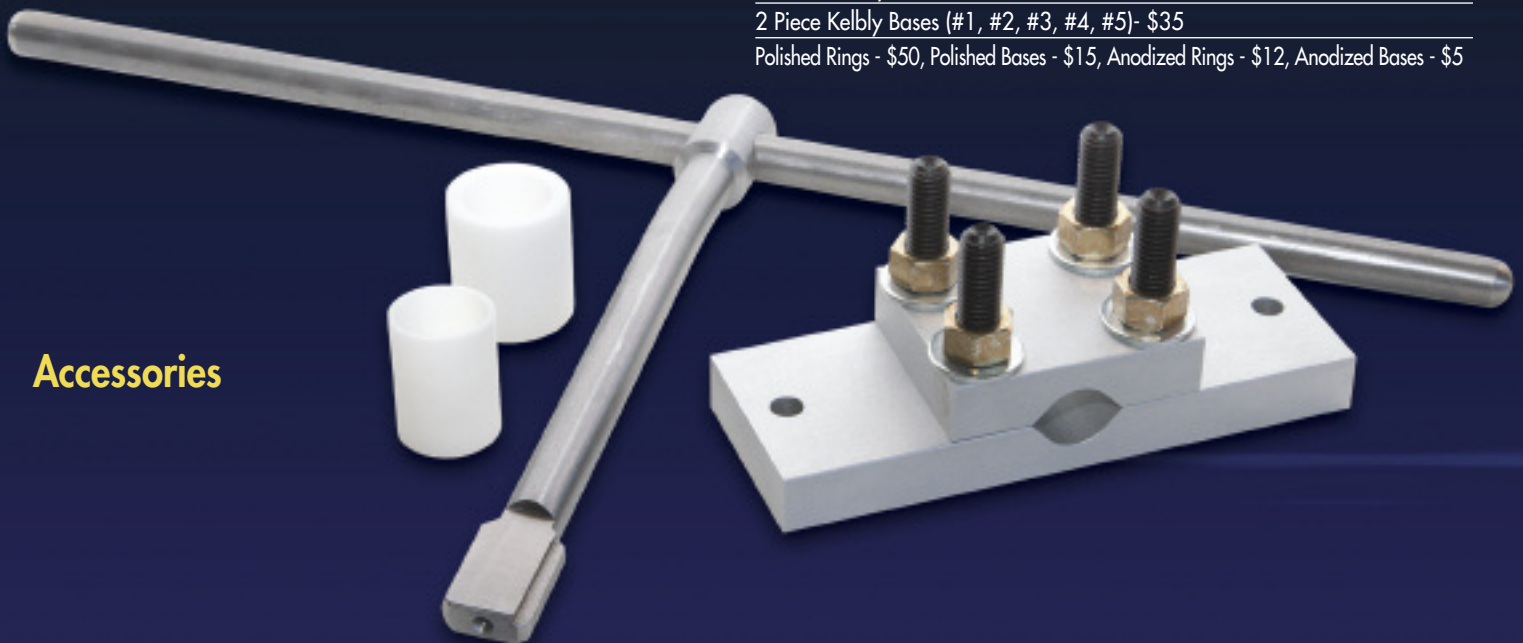
Atlas Kelbly- 1 Piece (\$40), 2 Piece (\$35)

Atlas Picatinny 1 Piece - 0 MOA & 20 MOA- \$65

2 Piece Kelbly Bases (#1, #2, #3, #4, #5)- \$35

Polished Rings - \$50, Polished Bases - \$15, Anodized Rings - \$12, Anodized Bases - \$5

Accessories



www.kelbly.com

330.683.4674



KELBLYS

A HIGHER LEVEL OF ACCURACY



ARCAS

S E R I E S R I F L E S

by KELBLYS Inc.

ATLAS HUNTING RIFLE



Atlas Repeater Action
Right Bolt- Right Port Only
TG Mechanical Ejector
20 MOA or 0 MOA Picatinny Rail and Ring Size of your choice
Rifle Basix Top Safety Trigger
Metal Finishes- Sanded, Bead Blast

Remington BDL Floorplate
Pillar Bedded into Bell and Carlson T1000 Stock
Colors Available- Tan/Black, Gray/Black, Black/Gray,
Olive Green/Black, Black All are Spiderweb Finishes

Brux #4 Heavy Sporter Barrel, 24" Long
Short Action Calibers- .308 Win., .223 Rem.,
22-250 Rem., 300 WSM, 7mm WSM
Long Action Calibers- 6.5x284, 7mm Rem Magnum,
30-06 Springfield, 300 Win Magnum, 6.5x55 GWI
Long Action is a \$199 Upgrade

Base Rifle Price- \$2799.00 Scope Not Included in Price.

Options Available:

Kelbly Ported Muzzlebrake- \$199

Cerakote Metal Finish- \$249

Thread Muzzle for Suppressor- \$75

Thread Protector- \$35

APA Tactical Bolt Knob- \$49

Watch our product videos on



ATLAS CUSTOM HUNTING RIFLE



Atlas Repeater Action
Right Bolt- Right Port Only
TG Mechanical Ejector
20 MOA or 0 MOA Picatinny Rail and Ring Size of your choice
Jewell HVR Top Safety Trigger
Metal Finishes- Sanded, Bead Blast

CDI Precision Detachable Magazine- 5 round AICS Magazine included
Pillar Bedded into GRS Adjustable Hunting Stock
Colors Available- Black, Black/Red, Black/Blue, Brown, Green Mountain Camo, Royal Jacaranda

Brux #4 Heavy Sporter Barrel, 24" Long
Short Action Calibers Available- .308 Win., .223 Rem., 22-250 Rem., 300 WSM, 7mm WSM
Long Action Calibers Available- 6.5x284, 7mm Rem Magnum, 30-06 Springfield, 300 Win Mag
Long Action is a \$199 Upgrade

Base Rifle Price- \$4199.00 Scope Not Included in Price.

Options Available:

Kelbly Ported Muzzlebrake- \$199

Cerakote Metal Finish- \$249

Barrel Length- up to 27" No charge- above 27" additional \$20 per inch

Thread Muzzle for Suppressor- \$100

Thread Protector- \$35

APA Tactical Bolt Knob- \$49



www.kelbly.com

330.683.4674



KELBLYS

A HIGHER LEVEL OF ACCURACY



ARCAS

S E R I E S R I F L E S

by KELBLYS Inc.

TACTICAL



Atlas Repeater Action
Right Bolt- Right Port Only or Left Bolt-Left Port
TG Mechanical Ejector
20 MOA or 0 MOA Picatinny Rail and Ring Size of your choice
Jewell HVR Top Safety Trigger
Metal Finishes- Sanded, Bead Blast

CDI Precision Detachable Magazine- 5 round AICS Magazine included
Pillar Bedded into Kelbly KTS Stock
Adjustable Cheek Piece, 3-Way Butt Pad, Butt Hook, and Sling Swivels
Colors Available- Red/Black, Black/Red, Blue/White, Olive Green/Black,
Black/Blue, Red/White, Black/White, Olive Green/Black/Gray,
Woodland Camo, Desert Camo, Hunter Camo
Metal Flake Available- Silver, Red, Blue, Gold, Green

Brux #6 Heavy Bull Sporter Barrel at 18"-26" Length
Short Action Calibers- .308 Win, .260 Remington, 300 WSM, 7mm WSM
Long Action Calibers- 300 Win Mag, 7mm Rem Mag, 6.5x55GWI
Long Action is a \$199 Upgrade

Base Rifle Price- \$3699.00 *Scope Not Included in Price.*

Options Available:

Kelbly Ported Muzzlebrake- \$199

Cerakote Metal Finish- \$249

Barrel Length- up to 27" No charge- above 27" additional \$20 per inch

Thread Muzzle for Suppressor- \$100

Thread Protector- \$35

Flute Barrel- \$199

APA Tactical Bolt Knob- \$49

Dura Coat Stock the color you want- \$249

Flush Cups instead of Sling Swivels- \$99

McMillan A5 Stock- \$199

GRS Hybrid Stock- \$99

Badger EFR Mount Installed- \$349



Watch our product videos on



.338 TACTICAL



.338LM Panda Action
Right Bolt- Right Port or Left Bolt- Left Port Only
TG Mechanical Ejector
Integral 30 MOA Picatinny and Recoil Lug and Your Choice of Ring Sizes
Jewell HVR Bottom Safety Trigger
APA Tactical Bolt Knob
Metal Finishes- Sanded, Bead Blast

CDI Precision Detachable Magazine- 5 round AICS Magazine included
Pillar Bedded into Kelbly KTS Stock
Adjustable Cheek Piece, 3-Way Butt Pad, Butt Hook, and Sling Swivels
Colors Available- Red/Black, Black/Red, Blue/White, Olive
Green/Black, Black/Blue, Red/White, Black/White, Olive
Green/Black/Gray, Woodland Camo, Desert Camo, Hunter Camo
Metal Flake Available- Silver, Red, Blue, Gold, Green

Brux MHV Contour Barrel at 28" Length
Fluted Barrel, Kelbly Ported Muzzlebrake
Chambered in .338 Lapua Magnum or 7mm/338 Lapua Magnum

Base Rifle Price- \$4999.00 *Scope Not Included in Price.*

Options Available:
Polish All Metal- \$249
Cerakote Metal Finish- \$249
Flute Barrel- \$199
Extra Long Barrels- \$20 per inch
Dura Coat Stock the color you want- \$249
Flush Cups instead of Sling Swivels- \$99
Badger EFR Mount Installed- \$349

www.kelbly.com

330.683.4674



KELBLYS

A HIGHER LEVEL OF ACCURACY

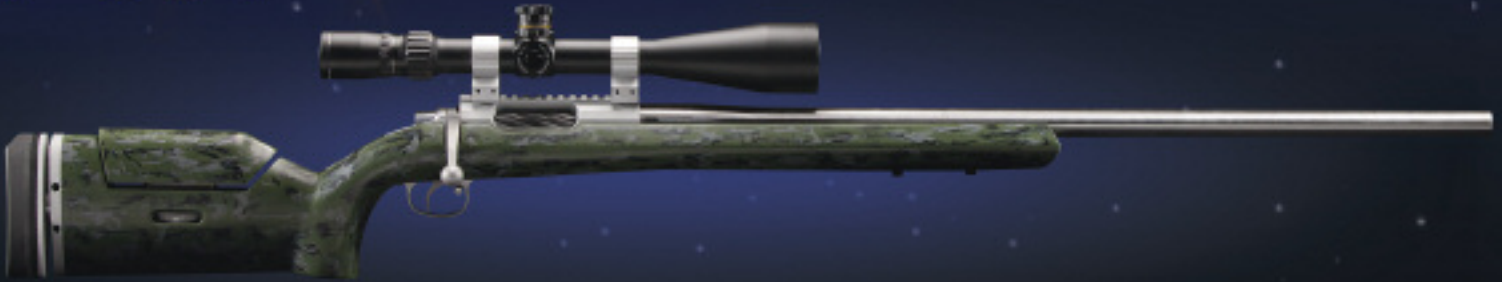


ARCAS

S E R I E S R I F L E S

by KELBLYS Inc.

FTR



F-Class Panda Action
Right Bolt- Right Port Only or Left Bolt- Left Port
TG Mechanical Ejector
Integral 20 MOA Picatinny Rail and Recoil Lug and
your Choice of Ring Sizes
Jewell BR Trigger
Metal Finishes- Sanded, Bead Blast

Pillar Bedded into Kelbly 1M Adjustable Stock KTS stock for FTR (Bipod
Sling Swivel Stud)
Adjustable Cheek Piece and 3-Way Butt Pad with 1" Rubber Pad
Colors Available- Red/Black, Black/Red, Blue/White, Olive Green/Black,
Black/Blue, Red/White, Black/White, Olive Green/Black/Gray,
Woodland Camo, Desert Camo, Hunter Camo
Metal Flake Available- Silver, Red, Blue, Gold, Green

FTR Barrel- Brux #14 Heavy Palma Contour at 30" Length
FTR Calibers- .308 Win (1-10" Twist or 1-13" Twist),
.223 Rem (1-6.5" Twist or 1-8" Twist)

Base Rifle Price- \$4099.00 *Scope Not Included in Price.*

Options Available:

Polish all Metal- \$249

Cerakote Metal Finish- \$249

Extra Long Barrels- \$20 per inch

Flute Barrel- \$199

GRS F-Open Stock (Blue/Black Color)- No Additional Charge
(Only available in Right Bolt- Right Port)

PRT Lowboy or Lowboy FTR with High Gloss Finish- \$799



Watch our product videos on



F-OPEN



F-Class Panda Action
Right Bolt- Right Port Only or Left Bolt- Left Port
TG Mechanical Ejector
Integral 20 MOA Picatinny Rail and Recoil Lug and
your Choice of Ring Sizes
Jewell BR Trigger
Metal Finishes- Sanded, Bead Blast

Pillar Bedded into Kelbly 1M Adjustable Stock for F-Open
Adjustable Cheek Piece and 3-Way Butt Pad with 1" Rubber Pad
Colors Available- Red/Black, Black/Red, Blue/White, Olive Green/Black,
Black/Blue, Red/White, Black/White, Olive Green/Black/Gray,
Woodland Camo, Desert Camo, Hunter Camo
Metal Flake Available- Silver, Red, Blue, Gold, Green

F-Open Barrel 1.250" Straight Contour at 28" Length
F-Open Short Action Calibers- 6.5x55 GWI, .300 WSM, 7mm WSM
F-Open Long Action Calibers- .300 Win Mag, 7mm Rem Mag,
.284 Win Long action is a \$199 Upgrade

Base Rifle Price- \$4099.00 Scope Not Included in Price.

Options Available:

Polish all Metal- \$249

Cerakote Metal Finish- \$249

Extra Long Barrels- \$20 per inch

Flute Barrel- \$199

GRS F-Open Stock (Blue/Black Color)- No Additional Charge
(Only available in Right Bolt- Right Port)

PRT Lowboy or Lowboy FTR with High Gloss Finish- \$799



www.kelbly.com

330.683.4674



KELBLYS

A HIGHER LEVEL OF ACCURACY



ARCAS

S E R I E S R I F L E S

by KELBLYS Inc.

LONG RANGE BENCHREST RIFLE



F-Class Panda Action
Right Bolt or Left Bolt- Dual Port Only
TG Mechanical Ejector
Integral 20 MOA Picatinny Rail or Dovetail Rail and Recoil Lug
and your Choice of Ring Sizes
Jewell BR Trigger
Metal Finishes- Sanded, Bead Blast

Pillar Bedded into Kelbly 1M Adjustable Stock
Adjustable Cheek Piece and 3-Way Butt Pad with 1" Rubber Pad
Colors Available- Red/Black, Black/Red, Blue/White, Olive Green/Black,
Black/Blue, Red/White, Black/White
Metal Flake Available- Silver, Red, Blue, Gold, Green

Brux MHV Contour Barrel at 28" Length
Short Action Calibers- 6mmBR, 6mm Dasher, 6.5x55 GWI,
.300 WSM, 7mm WSM, 6.5x47
Long Action Calibers- .300 Win Mag, 7mm Rem Mag, .284 Win
Long action is a \$199 Upgrade

Base Rifle Price- \$4099.00 *Scope Not Included in Price.*

Options Available:

Polish all Metal- \$249

Cerakote Metal Finish- \$249

Extra Long Barrels- \$20 per inch

Flute Barrel- \$199

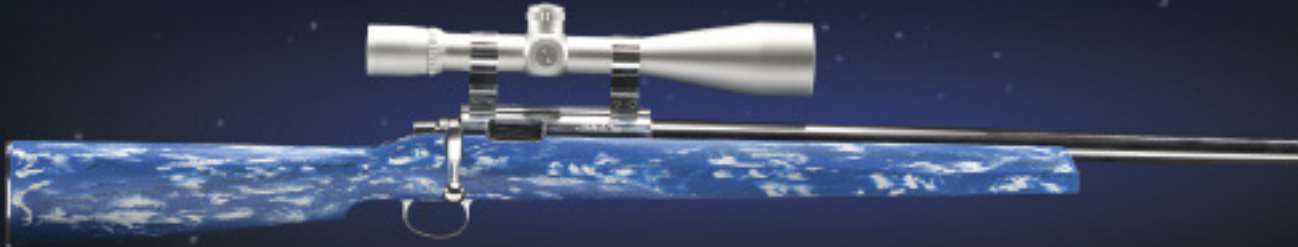
PRT Lowboy with High Gloss Finish- \$799



Watch our product videos on



SHORT RANGE BENCHREST RIFLE



Panda Action
Right Bolt-Left Port, Right Rear Microport or Left Bolt-Right Port,
Left Rear Microport
TG Mechanical Ejector
Integral Dovetail Rail and your Choice of Ring Sizes
Jewell BR Trigger
Metal Finishes- Sanded, Bead Blast

Glue In Bedded to Kelbly KLP, Klub, or BRFB Stock
Colors Available- Red/Black, Black/Red, Blue/White,
Olive Green/Black, Black/Blue, Red/White, Black/White
Metal Flake Available- Silver, Red, Blue, Gold, Green

Brux LV Contour Barrel at 20-26" Length
Calibers available- 6PPC, 6BR, or 30 BR

Base Rifle Price- \$3499.00 *Scope Not Included in Price.*

Options Available:

Polish all Metal- \$249

Paint Stock with PPG color of your choice- \$349

Other Manufacturers stock- Price on Request



www.kelbly.com

330.683.4674



KELBLYS

A HIGHER LEVEL OF ACCURACY

www.kelbly.com
330-683-4674

Watch our product videos on



CHAMBERING

Kelbly's Inc. has a variety of top quality reamers for rebarrelling Stolle and other manufacturers actions to your specifications.

Kelbly's Inc. stocks Hart Rifle, Krieger, and Brux barrels in common calibers, twists, and tapers. We can special order those not in stock.

ADDITIONAL ITEMS

Kelbly's Inc. also carries various shooting supplies. We stock Kelbly triggers, Jewell triggers, Lapua brass, VihtaVouri Oy rifle powder, Nielson "Pumpkin" Tools, Wilson Seating dies, neck dies, rear entry action wrenches, and barrel caps. We exclusively sell the March line of rifle scopes.

COMPLETE RIFLES

In addition to the bare actions, Kelbly's Inc. also supplies complete rifles. Standard with each rifle - Stolle action, Kelbly scope rings, Kelbly fiberglass graphite stock, chambered barrel, Jewell trigger, aluminum butt-plate, glue-in bedding, and paint.

Available options are; pillar bedding, sling swivels, and removable weight systems. Other manufacturers' stocks and barrels can also be substituted for the Kelbly stock or Hart or Krieger barrel at an additional cost.

ORDERING INFORMATION

When ordering actions, please specify type, right or left bolt, right or left port, and bolt face. All action orders must be in writing and accompanied by an FFL license and a \$100 deposit. When ordering complete rifles, please specify action type and configuration, caliber, neck dia., barrel make, type and twist, stock, paint scheme, rifle class and weight, and any additional options. All complete rifle orders must be in writing and accompanied by an FFL license and a \$500 deposit. When ordering rings please specify type and width.

BEST ACTIONS FOR SHOOTING TYPE

Long Range (F-Class, Benchrest) — F-Class Panda and Long F-Class Panda Actions

Short Range Benchrest — Panda and Kodiak Actions

Tactical — Atlas and Kodiak Actions

Hunting — Atlas and Kodiak Actions



KELBLY T-SHIRTS

Small, medium, large & extra large. \$20

KELBLY'S INC.

7222 Dalton Fox Lake Road
North Lawrence, OHIO 44666

Phone (330)683-4674

FAX (330)682-7349

www.kelbly.com