

A-dec Dental Simulator Model 41L, Mobile



PRODUCT DESCRIPTION

Compact, self-contained, dental patient simulation system provides realistic training for basic and advanced dental education. Full complement of integrated dental instrumentation and ancillary devices as well as self-contained water supply and vacuum system. Adjustable simulation patient allows for correct anatomical positioning. Manikin head folds neatly for compact storage. Integrated locking storage bins. Umbilical with strain relief is secured to utility box. Patient manikin head, skull and jaws not included.

Salient Characteristics

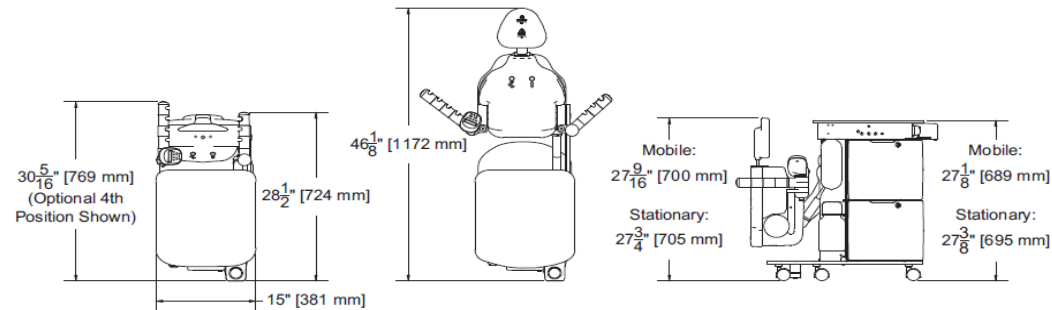
- **Solid surface countertop** provides ample work surface, removable for access to major service components.
- **Two large storage bins**, each individually keyed, swing out for easy access.
- **Steel base-plate** is 0.5" thick, powder-coated paint finish to prevent rust.
- **Twin air lift cylinders** on base that activate when unit is switched on, immobilizing unit for stability and safety.
- **5-tandem urethane casters** provide stability and smooth mobility.
- **Simple, durable torso mechanism**; push button activated, counter balancing lift cylinders for effortless patient positioning, torso brake engages when button is released
- **Manikin mount system** configured to accommodate all major brands of simulation heads.
- **Integrated patient headrest** automatically adjusts to cranium position.
- **The control head provides ample space to integrate up to three ancillary devices.**
- **A one-piece pneumatic handpiece control block** is capable of operating up to four active handpiece positions and is manufactured from solid brass. Each handpiece position has an individual drive air and water adjustment. Removable water cartridge valves allow for quick and easy servicing of block. A single sliding locking tab secures the handpiece tubing to the control block requiring no tools and allows easy access to connect or disconnect tubing.
- **Water lines produced with anti-microbial AlphaSan®** inhibits bio-film formation in tubings
- **Auto-air handpiece holders** automatically activate block when handpiece is lifted from holder. Holders rotate for user preference and easily convert to accommodate right or left handed operators.
- **Vacuum instruments (HVE, syringe) included.** Saliva ejector is available.
- **Left/Right hand convertible** without the use of tools.
- **Built-in Air/Water Quick Disconnect valves** for external, ancillary devices.
- **Data Control System (DCS)** is used to control all of the electrical components (fiber optics, touch pad, camera, electric micro-motors, and dental light). The DCS allows plug and play add-ons for the life of the unit, with the use of 6-conductor phone wire connections.
- **An optional quad-volt intra-oral light source** provides up to four independently adjustable output voltages to accommodate intra-oral illumination.
- **Air Venturi System (AVS)** is available for self-contained vacuum supply.
- **Self Contained 0.7L water bottle**, no domestic water supply required.
- **Integrated 300-Watt power supply**, provides power for dental light and other dental ancillaries and devices.
- **Touch Pad Options: No Touchpad or Deluxe. Deluxe** is available for basic and expanded range of controls.
- **Options third hand** is available to assist the student in positioning and holding the HVE in the oral cavity during a procedure.
- **Proudly Manufactured and Assembled in Newberg OR, USA** – certificate of origin available upon request.
- **UL Classified in USA and Canada. CE compliant.**



Dimensions and Weights

The following dimensions are for reference only. For complete accuracy, use the appropriate full-sized template (Mobile, Model 41 L, p/n 86.0282.00; Stationary, Model 42L, p/n 86.0281.00).

Figure 1. Mobile and Stationary Simulator Dimensions



Internal Bin Storage: 11.5"L X 9"W X 9"H

Shipping Weight:

- Mobile - 190 lb (86 kg)

A-DEC PRODUCT SUPPORT

- Local and Regional Territory Managers will provide project consultation and user-training.
- A customer service representative is assigned specifically to each account.
- Live technical support 0630-1630 (Pacific Time) Monday-Friday at 1-800-547-1883.
- 95% of service parts can be shipped within 24 hours.
- Space planning and architectural support provided at no extra cost.
- Blanket-wrapped delivery service is available with pre-assembly at the factory to minimize waste and speed up the installation process.
- Installation service is available by a highly trained and experienced crew.
- Service parts are available for minimum of 10 years after product obsolescence.
- Technical repair training and certification is offered free of charge at the factory 4-7 times a year. Each class is 3 days in duration. Room, board and class cost included in purchase price of equipment. Transportation to Portland, Oregon not included.
- Service parts guides updated annually and available in both hard copy and PDF.

ADDITIONAL SUPPORTING DOCUMENTATION

- Regulatory Information, Specifications & Warranty (part #86.0221.00)
- A-dec Simulator, Instructions for Use (part # 85.0016.00)
- A-dec Simulator Pre-Installation guide (part # 86.0280.00)
- A-dec 41L Mobile Simulator Installation Guide (part # 86.0283.00)
- A-dec 41L Simulator Service Guide (part # 86.0298.00)
- A-dec Simulator Brochure (part # 85.6080.00)
- Expanded technical specifications including features and benefits

Documents can be obtained online at www.us.a-dec.com in our document library, or by contacting A-dec Customer Service at (800) 547-1883 or fedgov@a-dec.com or schools@a-dec.com

Contact your A-dec Territory Manager for questions, pricing and configuration options (<http://us.a-dec.com/en/Company/Contact-Us/Schools-and-Government/Schools-Representatives>)