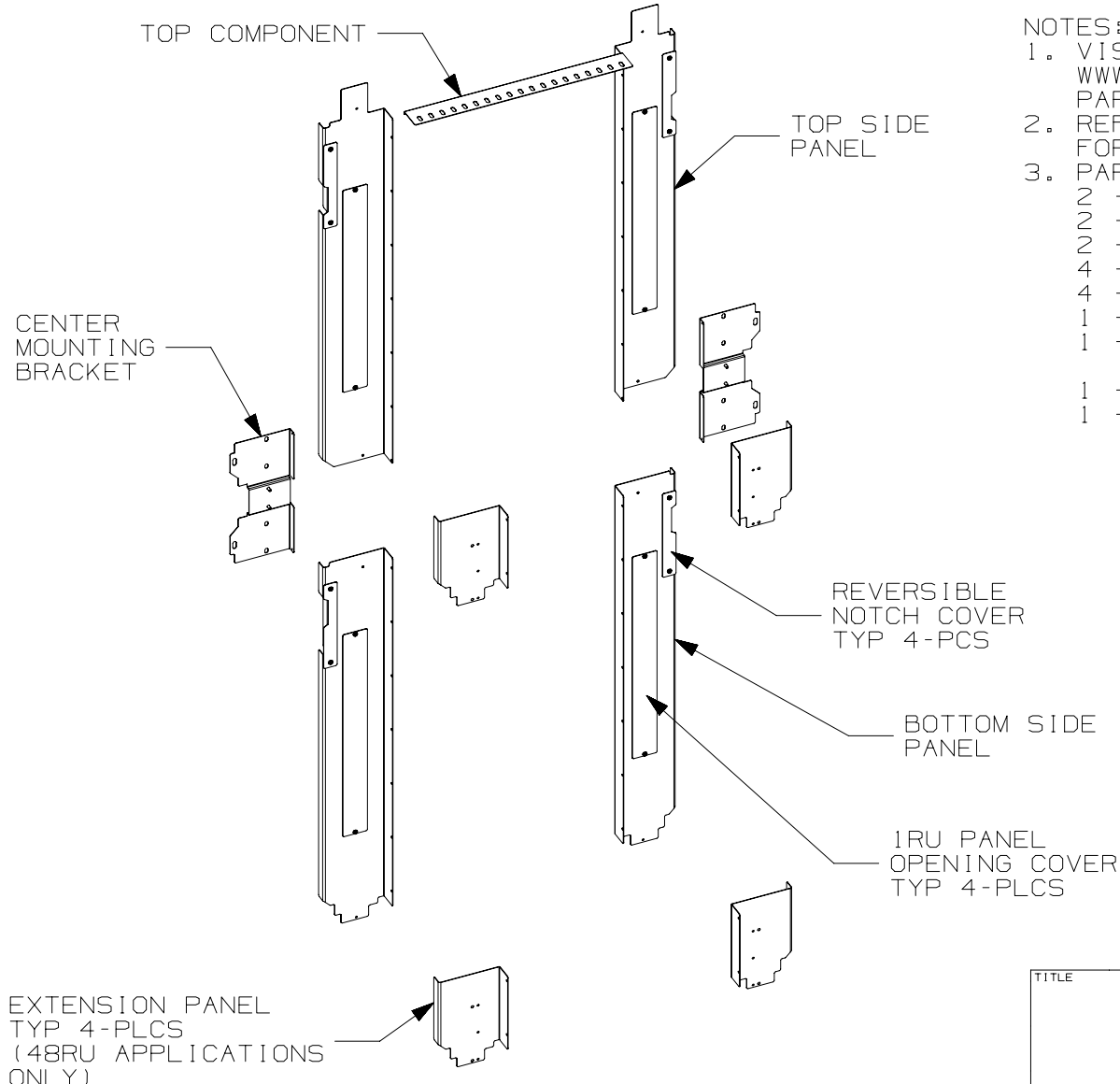


THIS COPY IS PROVIDED ON A RESTRICTED BASIS AND IS NOT TO BE USED IN ANY WAY DETRIMENTAL TO THE INTERESTS OF PANDUIT CORP.



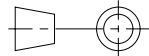
NOTES:

1. VISIT OUR ONLINE CATALOG AT WWW.PANDUIT.COM FOR A LIST OF CURRENT PARTS APPLICABLE WITH THIS PRODUCT.
2. REFER TO INSTRUCTION SHEET V00029LC FOR MORE INFORMATION
3. PARTS SUPPLIED:
 - 2 - TOP SIDE PANELS
 - 2 - BOTTOM SIDE PANELS
 - 2 - CENTER MOUNTING BRACKETS
 - 4 - REVERSIBLE NOTCH COVERS
 - 4 - 1RU OPENING COVERS
 - 1 - TOP COMPONENT
 - 1 - EXTENSION PANEL (48RU APPLICATION ONLY)
 - 1 - HARDWARE KIT (NOT SHOWN)
 - 1 - INSTALLATION INSTRUCTION (NOT SHOWN).

PANDUIT PART NO.	WEIGHT
D8VBP*	11.79 Kg/EACH (26.00 LBS/EACH)

NOTE:

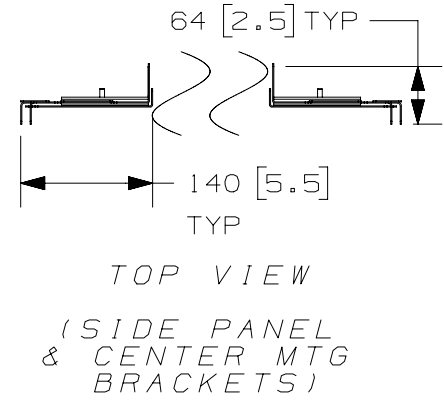
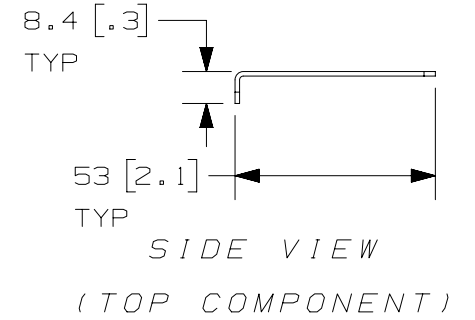
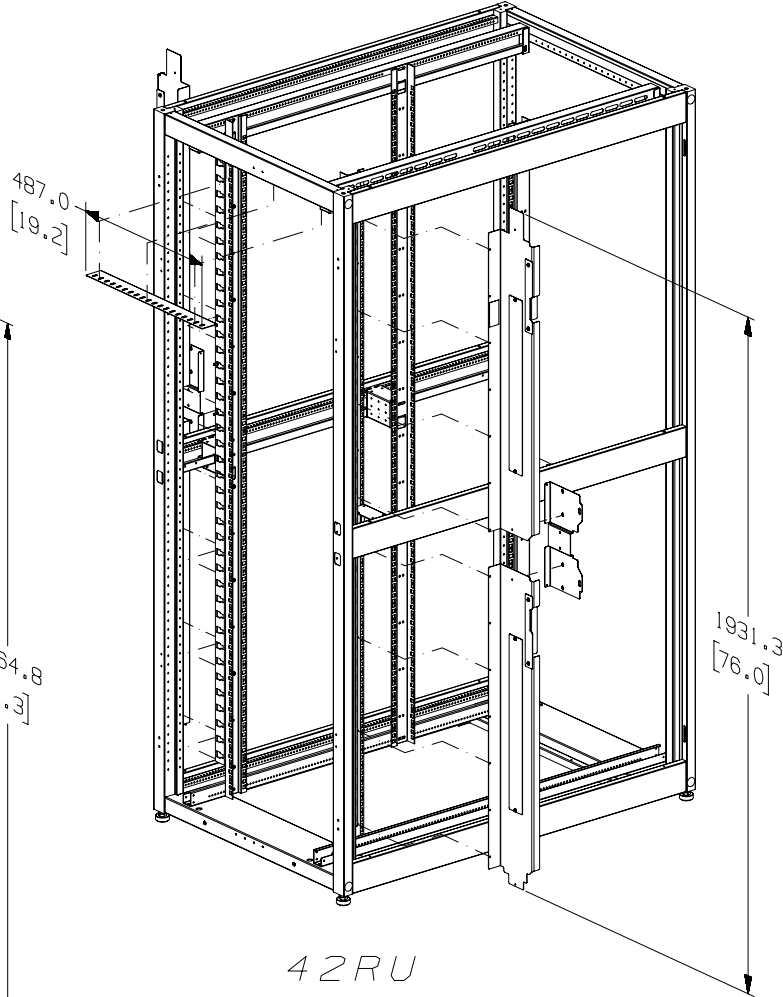
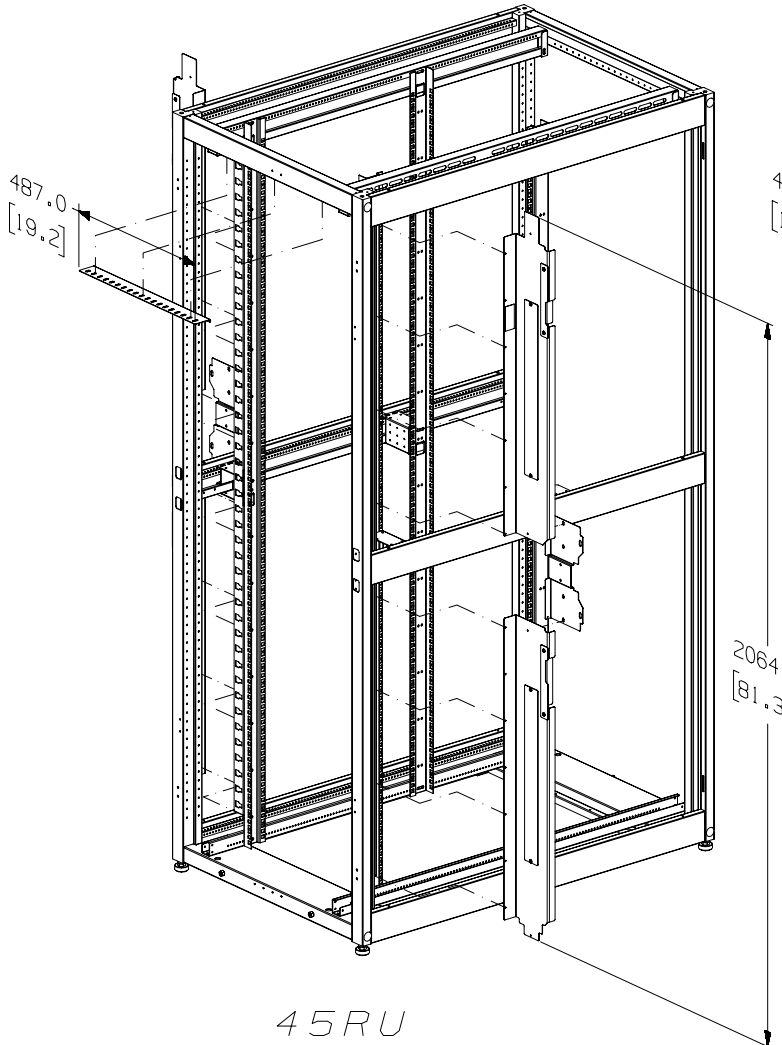
* DENOTES COLOR - ADD SUFFIX "B" FOR BLACK AND "W" FOR WHITE

TITLE		D-TYPE 800mm VERTICAL BLANKING PANEL (D8VBP*)		
		CUSTOMER DRAWING		
ITEM REVISION NAME		15V526ZR/11		
DATASET FILE NAME		15V526ZR_DC/11A		
MATERIAL:		PANDUIT		
		N/A		
DRAWING NUMBER:		15V526ZR-DC		
		THIRD ANGLE PROJECTION		
DRAWN BY	DATE	CHK	SCALE	SIZE
MES	1/11/17	DWR	NONE	A
SHT 1 OF 3				

REV	DATE	BY	CHK	APR	DESCRIPTION	ECN
11A	6/4/18	MEX-JAGC	DWR	SJP	C. WEIGHT UPDATED B. ADDED SHEET 3 FOR 48RU APPLICATION VIEW A. GEOMETRY OF EXTENSION PANEL HAS CHANGED	V09001RP/00
09B	1/11/17	MES	DWR	DWR	RELEASED TO PRODUCTION	V09001CM/05

D10100DA/20

THIS COPY IS PROVIDED ON A RESTRICTED BASIS AND IS NOT TO BE USED IN ANY WAY DETRIMENTAL TO THE INTERESTS OF PANDUIT CORP.



REV	DATE	BY	CHK	APR	DESCRIPTION	ECN
11A	6/4/18	MEX-JAGC	DWR	SJP	SEE SHEET 1 FOR REVISIONS	V09001RP/00
09B	1/12/17	MES	DWR	DWR	RELEASED TO PRODUCTION	V09001CM/05

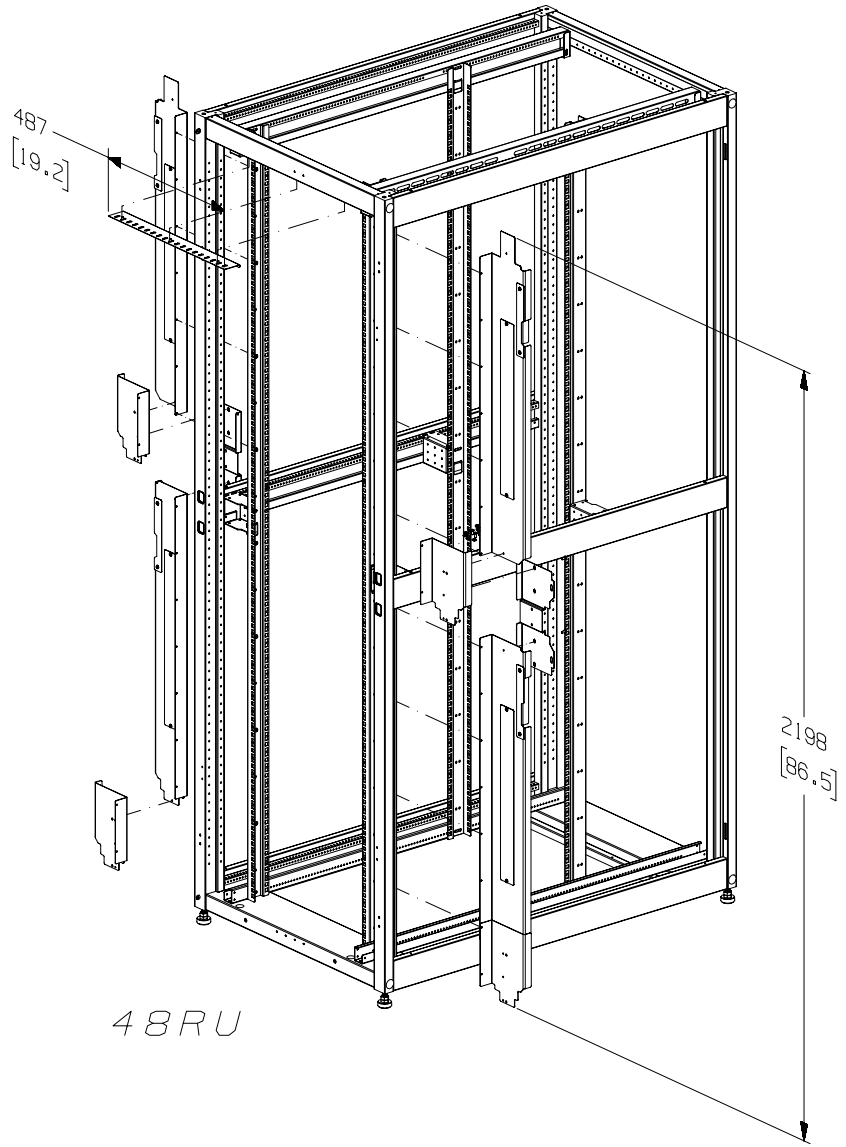
TITLE				D-TYPE 800mm VERTICAL BLANKING PANEL (D8VBP*)			
				CUSTOMER DRAWING			
ITEM REVISION NAME		15V526ZR/11		PANDUIT			
DATASET FILE NAME		15V526ZR_DC/11A					
MATERIAL:				N/A			
DRAWING NUMBER:				15V526ZR-DC			
DRAWN BY		DATE		CHK		SCALE	
MES		1/12/17		DWR		NONE	
THIRD ANGLE PROJECTION				SHT 2 OF 3			
				SIZE			
				A			

D10100DA/20

2

1

THIS COPY IS PROVIDED ON A RESTRICTED BASIS AND IS NOT TO BE USED IN ANY WAY DETRIMENTAL TO THE INTERESTS OF PANDUIT CORP.



TITLE				D-TYPE 800mm VERTICAL BLANKING PANEL (D8VBP*)			
				CUSTOMER DRAWING			
ITEM REVISION NAME				15V526ZR/11			
DATASET FILE NAME				15V526ZR_DC/11A			
				MATERIAL:			
				N/A			
				DRAWING NUMBER:			
				15V526ZR-DC			
DRAWN BY		DATE		CHK		SCALE	
MES		1/12/17		DWR		NONE	
THIRD ANGLE PROJECTION				SHT 3 OF 3			
REV				SIZE			
A				A			

REV	DATE	BY	CHK	APR	DESCRIPTION	ECN
11A	6/4/18	MEX-JAGC	DWR	SJP	SEE SHEET 1 FOR REVISIONS	V09001RP/00
09B	1/12/17	MES	DWR	DWR	RELEASED TO PRODUCTION	V09001CM/05

D10100DA/20

2

1

2

1