

# Control Panel-Based Alarm System

## Installation · Programming · Operating

Keep this manual safe for reference and future maintenance

## Introduction

### General System Overview

Thank you for choosing the Yale Wireless Alarm System. This simple to install system has been designed with the user in mind.

### No connections

All the components are self contained and no connections are needed between the units. There is no need to damage the home decor, lift carpets or run cables.

### Number of devices

You can install up to 20 devices in the system. As well as extra door/window contacts, PIRs and smoke detectors, you can add keyfob remote controls and keypads for added control convenience.

### Long battery life

There is no need to wire into the mains supply or seek the services of a qualified electrician. The control unit is powered by a plug top supply and all other components are powered by battery (all batteries included). Batteries will operate for 2 years or more before they need changing. Regular testing and battery changes (when notified by the system) will ensure reliability and peace of mind. Please note that alkaline batteries must be used as replacements.

### Tamper proof system

The security detectors, control panel and external siren are 'tamper' protected. Any unauthorised tampering with these items will result in an alarm. This feature can be turned off by the user when a battery change is required.

### Take care of your safety

Display extreme caution when using ladders or steps, please follow manufacturer's instructions. Be careful when using hand and power tools and follow the manufacturer's guidelines when using them. Take care that the correct tools are used. Wear goggles or protective clothing where required. The external Siren is extremely loud, please ensure you replace the cover and retreat to a safe distance before testing.

### Caution (kits with telephone dialler function only)

The dialling facilities must only be used with persons who have consented to being contacted by the system. The system is not to be used to make 999 emergency calls directly. Yale do not hold responsibility for any actions taken by emergency services for incorrect use of the dialling facility.

## Contents

### Contents

1	Location planning	2
2	Unpack all the parts	4
3	First Time Easy Install	6
4	Mounting alarm devices	9
5	Control Panel Menu System in Detail	12
6	Using the System	18
	Adding and using Accessories	20
	Changing the batteries	22
	Troubleshooting	24
	Specifications	26
	Key points	Back cover

### Recommended Installation Sequence

We recommend you follow the simple install sequence, headings numbered 1-6.

Information and illustrations are subject to change within this document. Yale reserves the right to alter the specification and product design at anytime without notice. Yale® is a registered trademark. © 2010 ASSA ABLOY. All rights reserved.

# 1 Location planning

Work out the best places to locate the devices for maximum protection. Having chosen the locations do not mount at this stage.

## Home and Away Mode Planning

The home arming mode allows the premises to be part armed so that no one can get inside without warning the occupier, yet the person already inside the house can move freely without triggering the alarm. For example the downstairs of a house can be armed while upstairs can be disarmed allowing the user to go to bed without causing an alarm.

**If this feature is to be used, then it should be planned now, before installation.**

Decide what areas can be occupied when in home arming mode, the sensors for these areas should be programmed to home omit; and the sensors activated on the path to access the control unit should be set to either Entry or Away Entry as explained on page 15.

## Operating Range

All devices must be within 30 metres of the control unit and must not be mounted on or near large metal objects. Avoid obvious sources of electrical interference such as fridges and microwave ovens.

## Tamper Switches

When mounting devices ensure that any tamper switches close fully. On uneven surfaces it may be necessary to place packing behind the switch for reliable operation.

## Extend The System

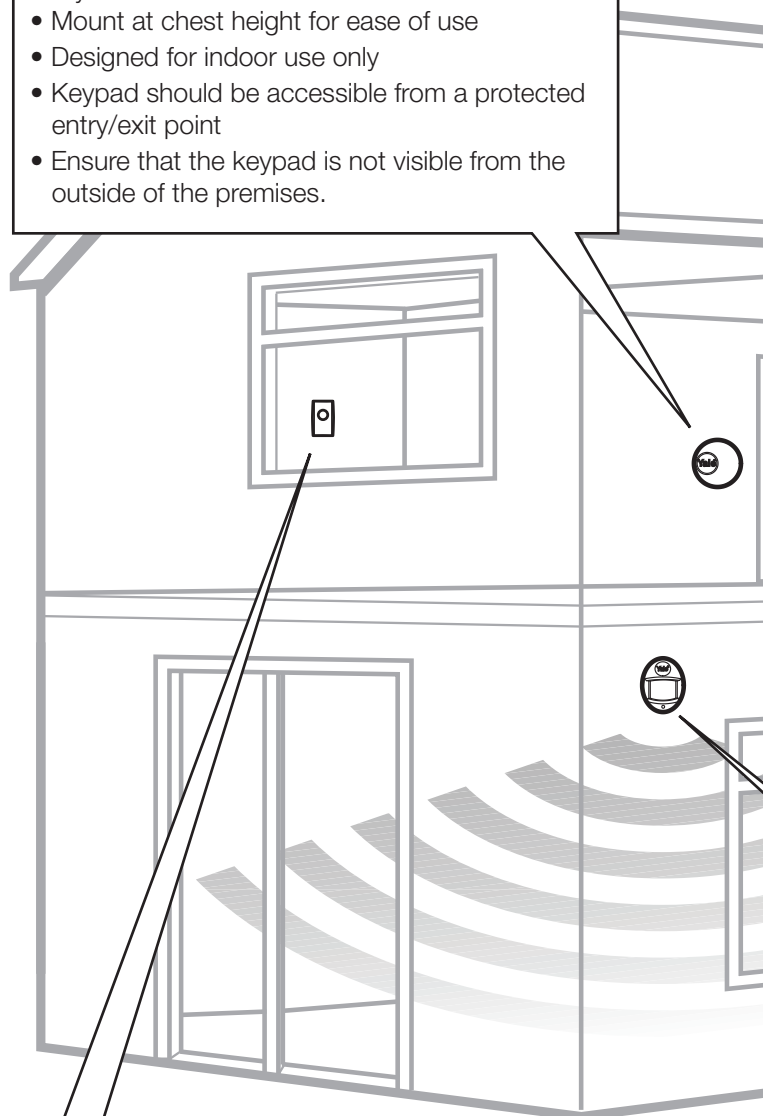
Extend the system in the future to increase your security or as your needs change.

For example, add extra PIR detectors and extra door/window contacts.

### Keypad remote control accessory

When used as second keypad, it is ideal in bedrooms or at the top of a stairwell so the ground floor can be armed when going to bed for the night. Or, at a side or back door for alternative entry.

- Mount at chest height for ease of use
- Designed for indoor use only
- Keypad should be accessible from a protected entry/exit point
- Ensure that the keypad is not visible from the outside of the premises.



### Help button accessory

The help button provides extra protection for you and your family. When help is needed the button can activate your alarm immediately - even when the system is disarmed.

- Mount on bedroom wall or by the front door
- Not clearly visible to an intruder
- Easily accessible
- Out of reach of children

### Smoke detector

- Mount in the middle of the ceiling at the top of a stairwell, or on the centre of hallway ceilings where smoke would most likely be detected.
- Do not mount in corners or above cooking appliances and heaters.
- Install additional detectors if there are closed doors preventing smoke from reaching detectors.

### Siren

Choose a position on an external wall where the siren would be most prominent. Mount as high as possible, out of easy reach.

### Door/Window contact

Select a door that will be the main point of entry and exit, usually your front door.

- Mount as high as possible
- Do not aim a PIR at this door or window

### Keyfob remote control accessory

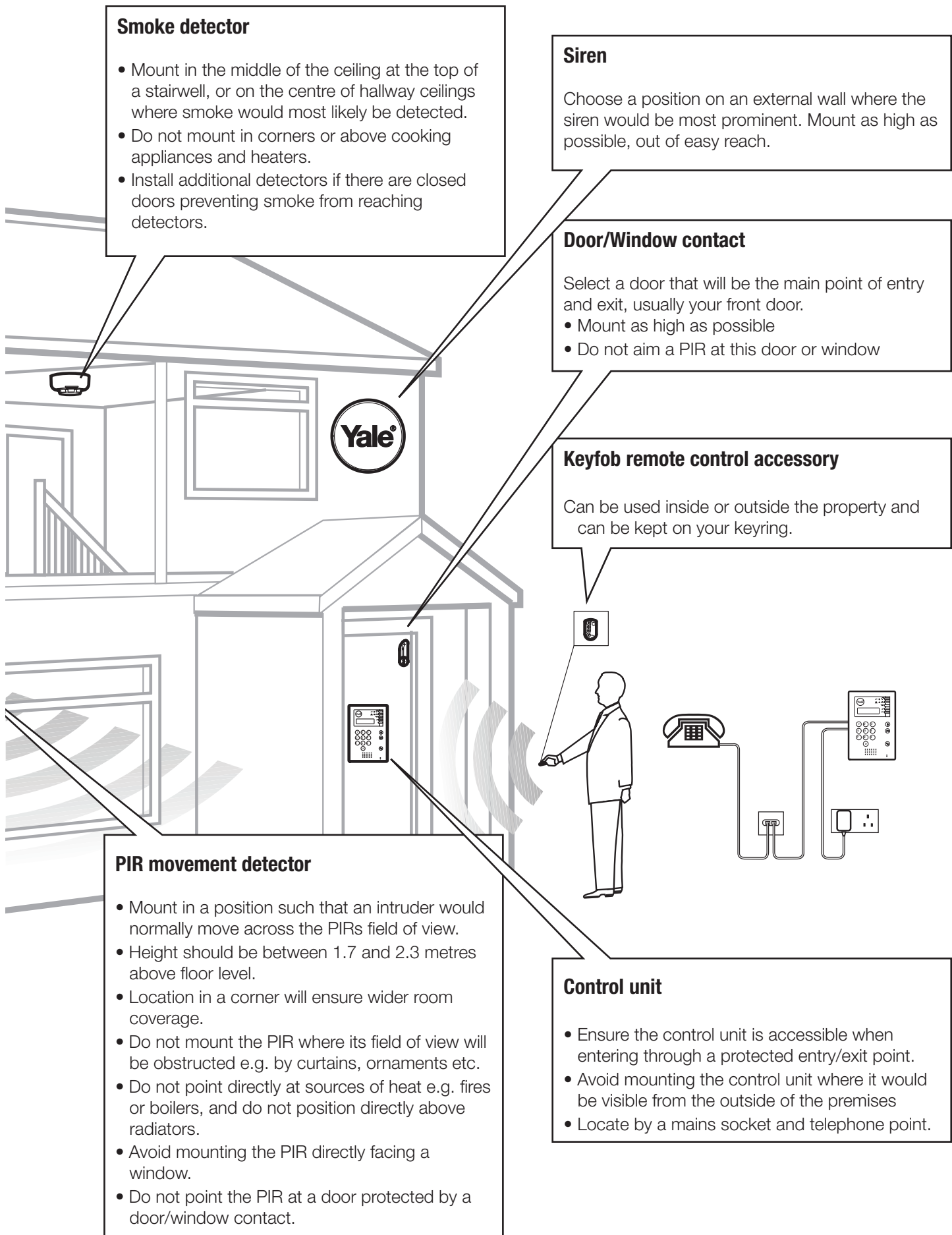
Can be used inside or outside the property and can be kept on your keyring.

### PIR movement detector

- Mount in a position such that an intruder would normally move across the PIRs field of view.
- Height should be between 1.7 and 2.3 metres above floor level.
- Location in a corner will ensure wider room coverage.
- Do not mount the PIR where its field of view will be obstructed e.g. by curtains, ornaments etc.
- Do not point directly at sources of heat e.g. fires or boilers, and do not position directly above radiators.
- Avoid mounting the PIR directly facing a window.
- Do not point the PIR at a door protected by a door/window contact.

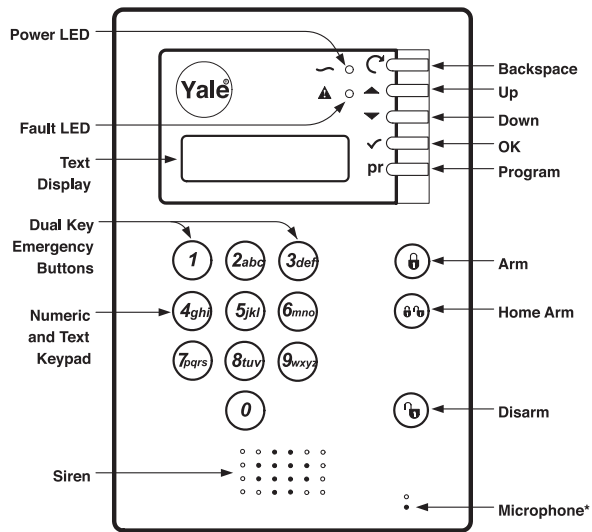
### Control unit

- Ensure the control unit is accessible when entering through a protected entry/exit point.
- Avoid mounting the control unit where it would be visible from the outside of the premises
- Locate by a mains socket and telephone point.



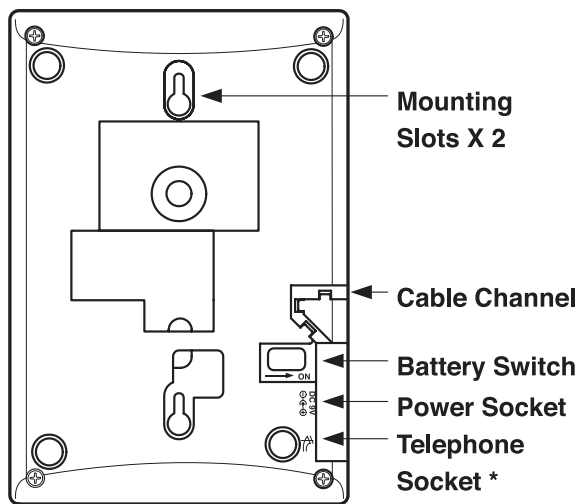
# 2 Unpack all the parts

The easiest way to get to know the system and get it up and running quickly is to get all the devices and accessories programmed on a table top before locating and mounting them.



## Control unit

A power adaptor is supplied that plugs into mains supply wall socket and control unit. Do not plug in at this stage, this will be done at First Time Easy Install, section 3.



- In addition to the adapter, there is a rechargeable battery inside the control unit that serves as a backup in case of a power failure. A fully charged battery can provide backup power for a period of at least 10 hours. It takes approximately 36 hours to fully charge the battery. The control unit is equipped with a backlit LCD display and keypad for easy operation in dark. To conserve backup battery duration the backlights will be switched off during mains power failure.

## Siren

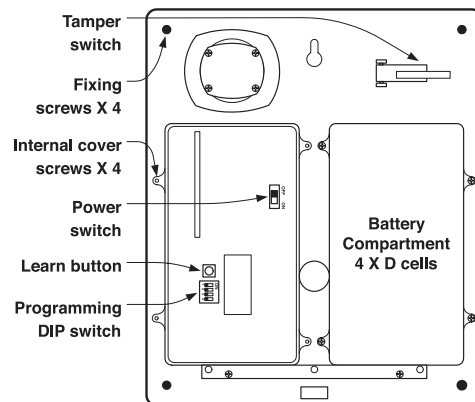
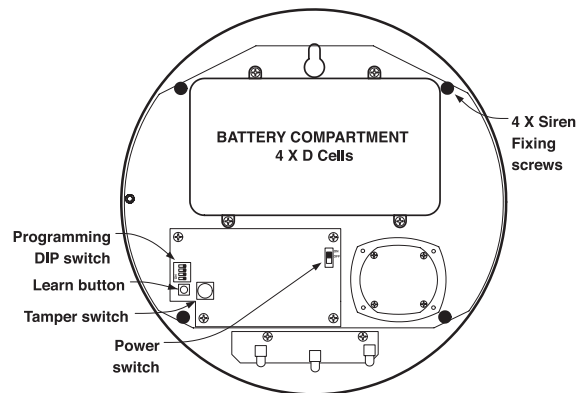
The siren comes in two shapes, square shaped and round depending on the kit purchased. The operation and programming of the sirens are identical, only the case is different.



## WARNING

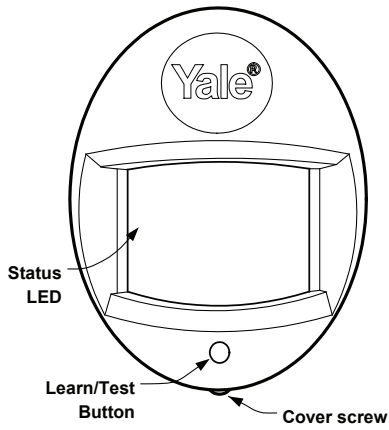
The siren is very loud, be prepared! Take care not to activate the siren tamper switch unnecessarily.

- 1 Remove the cover by unscrewing the single screw located on the lid.
- 2 Familiarise yourself with the internal components, do not switch siren on at this stage, this will be done at First Time Easy Install, section 3.



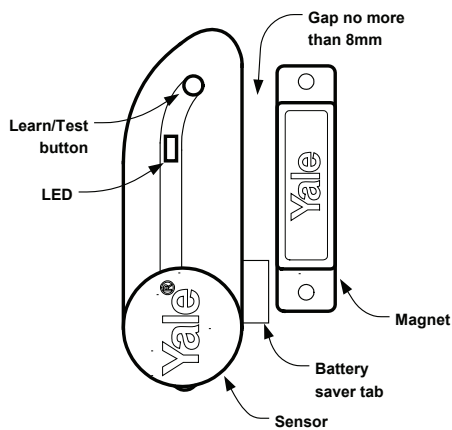
## PIR movement detectors

- 1 Pull out the plastic pull tab on the back of the PIR. This will activate the batteries.
- 2 A red light can be seen flashing through the lens. This will last for 30 seconds indicating the component's initiation.



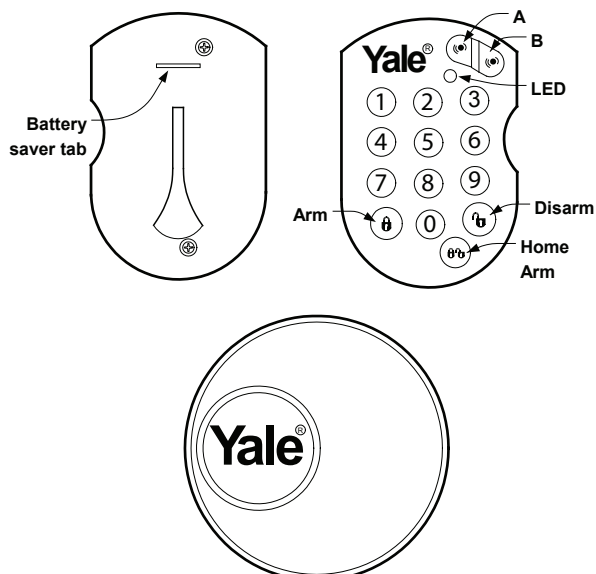
## Door/window contacts

- 1 Pull out the battery saver tab to activate the battery.



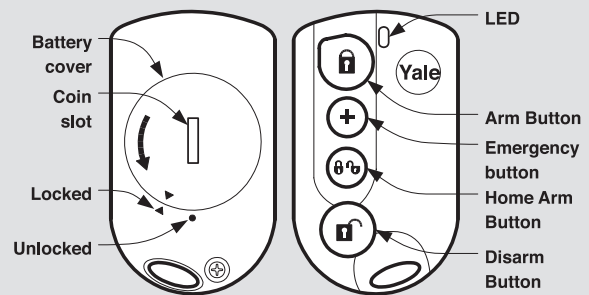
## Keypad remote control

- 1 Pull out the plastic battery saver tab at the back of the remote keypad. This will activate the batteries.



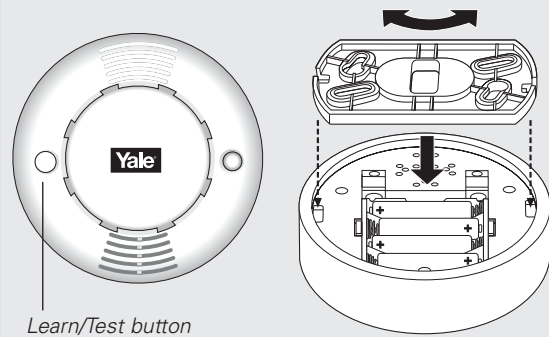
## Keyfob remote control accessory

- 1 Open the battery compartment using a coin by turning cover in the direction of the big arrow so the cover small arrow is next to round dot.
- 2 Insert battery and replace cover.



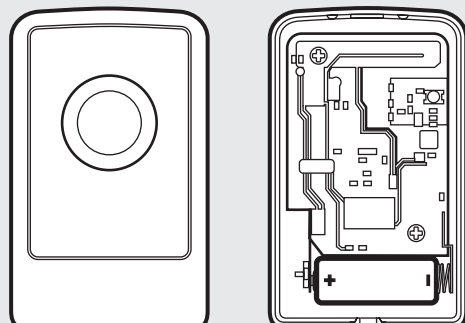
## Smoke detector accessory

- 1 Remove the cover and insert the four AAA batteries as shown
- 2 The Smoke detector will now enter into self-calibration mode for 10 minutes. It will resume normal operation after this period.



## Help button accessory

- Remove the cover by loosening the fixing screw and insert the 12V battery (supplied) as shown. Please ensure you observe battery polarity.

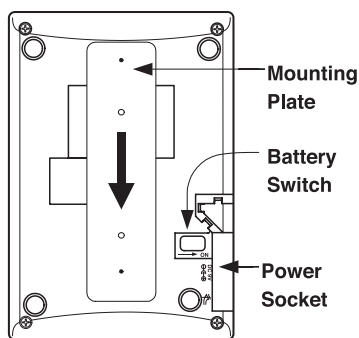


# 3 First Time Easy Install

The quick install guide will prompt you to program the basic system in easy steps.

**i**

- Any omissions or mistakes can be rectified later. Once the first time install has been successfully completed it will not be shown again.
- More advanced programming can be done at a later stage including adding and naming sensors and changing various settings.



Control Unit Back

Unpack the kit content on a table. Remove the mounting plate (if fitted) from the control unit by sliding plate downwards. Connect the power adaptor.

The control unit will beep and "Set user code (OK?)" will be shown, and the green LED will be on.

Remove the rubber battery switch cover and locate the battery switch beneath, using a pointed tool slide the battery switch to the right in the direction of the arrow to switch the internal battery on and replace the rubber cover.

## The unit is now ready for the first time installation steps:

### 1. Set user code (OK?)

Press ✓

### 2. Enter 1st code ....

Enter a four digit PIN code. Press ✓

↶ can be use to correct wrong number. Make a note of the entered code, it will be required later.

### 3. Set 2nd code Y/N

Select No to skip, Yes to enter 2nd code. Maximum 3 set of codes can be set.

The current selection is shown by the flashing dot on the far LEFT. Use ▲/▼ keys to navigate.

### 4. Reset code / Next step

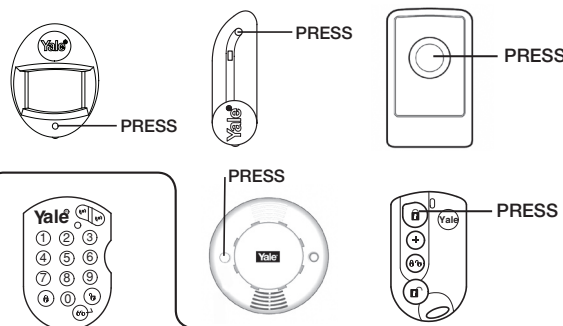
Select reset code to repeat step 2, or next step to proceed.

Cursor is on NEXT STEP as default

### 5. Add Device (OK?)

Press ✓

### 6. Push button on Device to Add



**Keypad** (Keys should be pressed positively within 3 secs of the previous press)

**1** Press Panic button A and enter 0000

*(The LED will now be flashing. System is now in setting mode)*

**2** Press Panic button A and enter 7

*(The keypad will confirm with two fast flashes that it is in "Siren as master" mode.)*

**3** Press Panic button A then 1 to send learn-in signal, then press disarm twice to quit.

### 7. Detect (OK?)... Zone01 B

Press ✓ to confirm

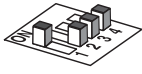
Devices are labeled by the following codes:

- Door Contact DC
- PIR Sensor IR
- Smoke Sensor SD
- Remote Controller RC
- Remote Keypad KP
- Help Button FP (Fix-Panic)

### 8. More device / Next step

If you have more device to add to the system, select More devices (this will go back to step 6), or select Next step to move forward.

### 9. Add Siren (OK?)



Clear

- Remove the siren cover. Ensure the siren power is switched off and set the program switch number 1 to ON to clear memory as shown.

- Press the siren learn button a few times to drain any residual power.
- Switch on the siren power and wait for the siren LEDs to flash and siren beep
- Then set the program switch number 1 to OFF, ready for learning in.
- Press ✓



NORMAL

### 10. Push learn button on siren (OK?)

- Press ✓
- Press learn button on siren

### 11. Hear beep Y/N

Did you hear the siren beep when you press the learn button on the siren? If not select No and step 10 will be repeated.

### 12. Learn Siren Y/N

Select Yes to learn in siren. Select No to skip learning siren

After selecting Yes, the siren should beep

### 13. Hear beep Y/N

Did the siren beep in the last step? If not select No and go back to step 12

### 14. Add siren / Next step

You can add more siren or you can select to move to the next step by using the ▲/▼ key.

**For Kits using the non-telecoms control panel skip these steps and go to step 22.**

### 15. Set Tel. Number for alert (OK?)

Key in the full telephone number (number you want to alert in the event of an alarm)

### 16. Set 2nd num? Y/N

Select yes if you want the system to call more than one telephone number. Maximum 3 numbers can be stored.

### 17. Reset Number / Next step

Select reset Number to go back to step 15. Select next step to move forward.

### 18. Rec Name&address 10 sec (OK?)

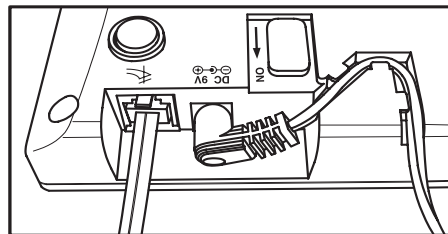
Press ✓ and follow on screen instruction to record your message. Please say your name and address slowly.

### 19. Record again / Next step

Select record again to go back to step 18. Select next step to progress.

### 20. Test call?

You can choose to test the telephone message calling feature with the Yes/No option. To make a test call plug in the telephone line cord supplied into the control unit as shown. Find a convenient telephone line wall socket and plug the other end of the cord in. Follow the on-screen instructions to complete the test.



- Check with the called party before doing the test.
- Four messages will be played:
  - Address message you have just recorded
  - Burglar message
  - Emergency message
  - Acknowledgement message
- The call can be terminated by the recipient pressing "9" on the phone or by pressing the ⏸ key on the unit.
- If the call is being made to a mobile or DECT radio phone, press "9" repeatedly to cancel the call.

### 21. Call again / Next step

Select Call again to repeat test call.

### 22. Set Date/Time (OK?)

Press ✓. Follow the on-screen instructions to set both the time and date.

- The date and time is set by using the ▲/▼ keys and then pressing ✓ when finished.

## Steps continued...

### 23. Date/Time? / Next step

Select date/time? To go back to step 22.  
Select next step to progress.

### 24. Start walk test (OK?)

Follow the on-screen instructions to test all the learnt-in devices except the siren.

- Press the test buttons on the PIR and door contact and the arm keys on the keyfob and keypad to send a test signal.
- The walk test can be quit at any time by pressing the ⏪ key.
- Walk test is used to check that the sensors are working correctly. Walk test can also be used to find out if the devices are in radio range of the control panel.
- The control unit will chime and display the device that sent the test signal.

### 25. Test device ? / Next step

To re-test press the ▲ key and ✓, otherwise press ✓ directly to go to the next step.

### 26. Setup finished (OK?)

Press ✓ and “**Start again?**” will be shown, to restart press the ▲ key and ✓, otherwise press ✓ directly to go to finish.

- The control unit will display “**Alarm off**” with the time and date.
- More advanced programming, such as device naming, entry/exit times, adding other users and any corrections can be made in the main programming menu, see section 5 Control Panel Menu System in Detail.
- All the devices are set-up as burgular mode. This will result in the siren ringing instantly when you enter the house (no countdown). You need to setup an entry device if you want a countdown period. See Edit device on page 13.



# 4 Mounting alarm devices

**WARNING** To prevent the alarm from activating during installation, the siren must have its tamper disabled and the control unit must be in 'Walk Test'/Programme mode.

## Control Unit Mounting

### Table top

Remove the mounting back plate (if fitted) and simply place on top of a table on its rubber feet.

- If the mounting plate has been fitted with the power on, the control unit will show a unit tamper condition when the plate is removed. To cancel make sure that the mounting plate is not fitted and power down by removing the power plug and switching off the battery. Reconnect power and switch the battery back on. The unit tamper will be reset and not activate again unless the plate is put back on.

### Wall Mounting

Using the two holes on the mounting back plate, mark the position of the holes. Drill two holes and fix with the screws and plugs provided. Hook the control panel onto the plate. Ensure that the control unit is fitted at approximately chest height where the display can be easily seen and the keypad convenient to operate.

- The control unit tamper protection will automatically arm when mounted on the back plate.

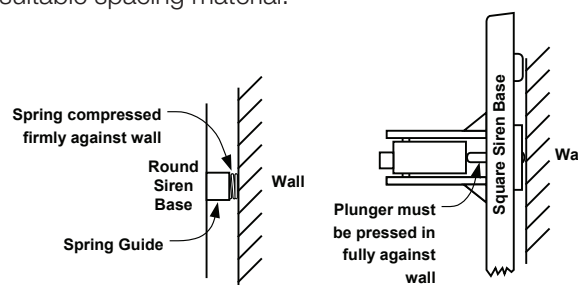
### Disabling the system tamper

**i** Before mounting it is important to disable the siren and system tamper to avoid the siren sounding an alarm.

- 1 Press the **pr** key and enter a user PIN code followed by **✓**.
  - 2 The control unit is now in programming mode, Select Devices +/-, then Program Siren and Siren Tamp. Off using the **▲▼✓** keys.
  - 3 Press **✓** when in the Siren Tamp. Off menu and the control unit will beep followed by an acknowledgement pip from the siren.
- Siren programming is described more fully in "Control Panel Menu System in Detail" in section 5.
  - The siren tamper will now be disabled for 1 hour after which it will automatically arm again. If longer is needed to fit the siren then simply repeat the steps above.
  - **Leave the control unit in programming mode to stop the system responding to tampers. If the control unit automatically times out, re-enter programming mode again.**

## Mounting the siren

Ensure the tamper switch is fully depressed when the siren is mounted. If there is a gap, pack with a suitable spacing material.



- 1 Find a location where the siren is to be mounted.
- 2 Using the large screws and wall plugs provided, screw the siren onto the wall through the 4 mounting holes on the siren base.
- 3 Fix the siren cover with the securing screw.
- 4 Using the Programming Devices +/- menu enable the siren tamper (see the end of this section "Final step:") and Arm and Disarm the system with the control unit.
- 5 If there are 5 short beeps when armed, the tamper switch is NOT fully depressed and will need to be adjusted. Unset the system and disable the siren tamper as described above before adjusting the siren tamper switch. If there is a gap between the wall and the tamper switch mechanism, pack with a suitable spacing material. When adjusted repeat the steps above from steps 3 through 5.
- 6 If there is one short beep and flash when armed, the siren is mounted correctly and the siren installation is complete.

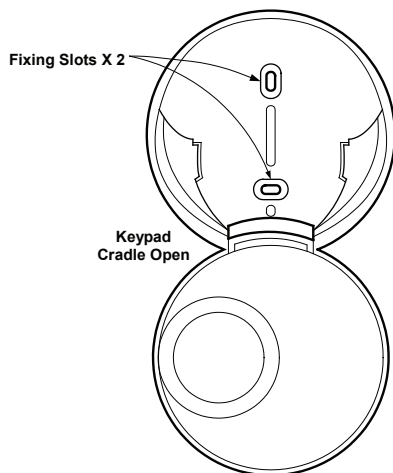
## Mounting other devices

Find a location where the device is to be mounted, see section “Location Planning” for suggestions.

**i** Before proceeding to mount the devices physically, check that the control unit will receive the system radio transmissions by doing a simple radio range test.

- Put the control unit into walk test mode.
- **KEYPAD:** press the arm button.
- **HELP BUTTON:** press the button.
- **ALL OTHER DEVICES:** Hold the device in the desired location and press the learn/test button, the control unit should respond with a chime.
- When you are satisfied that the devices work in your chosen locations, proceed with the installation as described.
- If the control unit does not respond, the location may be out of range, try alternative locations until reliable radio contact is obtained.

## Mounting the Keypad:



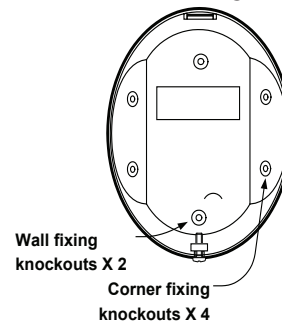
- 1 Drill holes into the wall using the fixing slots as a template.
- 2 Fit wall plugs into the wall and fix cradle with the screws provided.

3 Slide the keypad into the cradle

4 Close the cradle cover so the logo is facing you

## Mounting the PIR

- 1 Open the PIR by loosening the bottom screw. Knock out the relevant holes on the base where the plastic is thinner. The center two knockout holes are for flat wall mounting while the 4 side holes are for corner mounting.

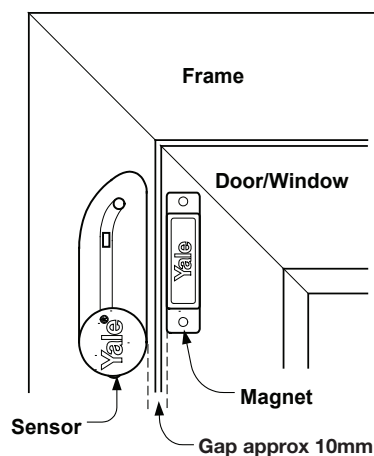


- 2 Drill holes into the wall using the knockout holes on the base as a template.
- 3 Fit wall plugs and secure the PIR base with the screws provided.
- 4 Fit the PIR back together and tighten bottom screw, the PIR installation is complete.

**i** The PIRs have a built-in sleep timer to save battery power. If there is no movement in front of the PIRs for 1 minute, the PIRs will become ‘ready to signal’ and movement will now be reported. The PIRs will sleep for 1 minute after reporting.

Any movement detected in sleep time will not be reported and will extend the sleep period by a further 1 minute.

## Mounting the Door Contact



- 1 Find a location where the door/window contact is to be mounted. It should be mounted between the door/window frame and the door/window as shown at the top of the opening. The magnet is to go on the door/window while the sensor is to be placed on the frame. Windows can be protected in a similar way to doors. Make sure the tamper switch spring is fully depressed.

**i** The gap between the magnet and sensor should be approximately 10mm when closed (depending upon the actual environment).

Simple test to see whether the magnet is in range of the sensor: hold the magnet and sensor in place and then pull them apart. If the sensor LED lights up it implies the two items are within range.

### Mounting using adhesive pads

- 1 Clean the mounting surface with a suitable degreaser agent.
- 2 Remove the protective film from one side of the adhesive pad and apply to the back of the sensor and magnet. Remove the remaining protective film and firmly press into place.
- 3 Test sensor by pressing the test button and opening and closing the door/window. The LED should light when the door/window is opened. Installation is complete.

### Mounting using screws and wall plugs

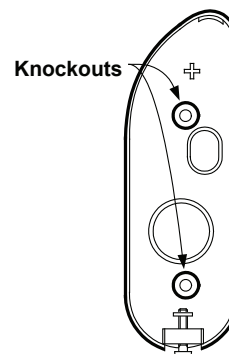
- 1 Loosen the bottom screw and open the door/window contact.
- 2 Knock out the holes on the base as shown.

- 3 Drill holes into the mounting surface using the holes in the knockouts on the base as template.

- 4 Fit wall plugs (if required) and secure with the screws provided.

- 5 Fit sensor back together and tighten screw.

- 6 Test sensor by pressing the test button and opening and closing the door/window. The LED should light when the door/window is opened. Installation is complete.



## Mounting the Help button

- 1 Break through the knockouts (where the plastic is thinner).
- 2 Using the holes as a template, drill holes in the surface and insert wall plugs if fixing into plaster or brick. Screw the rear case to the wall.
- 3 Replace the cover and tighten the screw.

## Mounting the Smoke Detector

- 1 The base has two mounting slots. Using the slots as a template, drill holes and insert the wall plugs if fixing to plaster. Screw the rear case to the ceiling using the screws provided.
- 2 Replace the cover.

### **i** Final step:

After mounting the siren and detectors, please enable the system tamper by:

- 1 Press the **pr** key and enter a user PIN code followed by **✓**.
- 2 The control unit is now in programming mode, Select Devices +/-, then Program Siren and Siren Tamp. On using the **▲▼✓** keys.
- 3 Press **✓** when in the Siren Tamp. On menu and the control unit will beep followed by an acknowledgement pip from the siren.
- 4 Quit programming mode and system tamper protection will be automatically restored.

# 5 Control Panel Menu System in Detail

## Entering Programming Mode

The programming mode is for you to configure the system, and make any changes to the pre-set functions.

If the system is in Disarmed (Alarm off) mode, follow the steps below to enter the programming mode.

- 1 Press 'pr' key on the function key list.

The screen will prompt you to enter the PIN code.

		P	-	M	o	d	e		e	n	t	e	r		
		P	-	C	o	d	e		.	.	.	.			

- 2 Key in your PIN code within 30 seconds.

### Note

- By pressing  $\cup$  this will clear the entered PIN. If the code field is empty, press  $\cup$ . The screen will then exit and return to the Alarm Off screen.

- 3 Press  $\checkmark$  to continue.

The following message is displayed for 2 seconds.

		P	r	o	g	r	a	m		m	e	n	u		
M	a	k	e		a		s	e	l	e	c	t	i	o	n

- 4 Then the Programming Main Menu will typically be displayed.

*	W	a	l	k		t	e	s	t						
D	e	v	i	c	e	+	/	-							↘

### Note

- The cursor is indicated by a flashing dot on the left upper corner. It can be moved up and down by pressing  $\blacktriangle$ / $\blacktriangledown$  respectively.

- 5 The following items can be selected:

- Fault log (appears only if there is a fault condition in your system)
- Walk Test
- Devices +/-
- Log
- Adv. Settings
- Tel. Settings

- 6 After making a selection by moving the cursor to the desired item, press  $\checkmark$  to confirm the selection. The display will show you the individual programming screen accordingly.

### Note

- If a down-arrow symbol  $\blacktriangledown$  appears on the last column of the screen, it indicated the selection list can be scrolled downwards. If the lowest position is reached, the down-arrow symbol  $\blacktriangledown$  disappears.

- If an up-arrow symbol  $\blacktriangle$  appears on the last column of the screen, it indicated the selection list can be scrolled upwards. If the highest position is reached, the up-arrow symbol  $\blacktriangle$  disappears.
- Selecting  $\cup$  will return to the Alarm Off screen.

### Important Note

- In programming mode, if no key is pressed within 5 minutes, the control panel will automatically exit the programming mode and return to the Alarm Off screen.

## Walk Test

When Walk Test is selected, three beeps will sound during a screen self test. This allows you to test the system without causing an alarm. To test the control panel is receiving a signal, do one of the following depending on the device:

- 1 Press any arm button on the remote keyfob or keypad
- 2 Press the test button on the sensor
- 3 Press the help button

A chime will sound and the display will show you which device is transmitting.

The message will be displayed until replaced by another test transmission.

- The external siren can be tested by arming and disarming the system, the siren will respond as below.
  - When the control panel is armed, the strobe light will flash and beep once.
  - When the control panel is disarmed, the siren will give two short beeps and the strobe will flash from side to side twice.

## Device +/-

Select 'Devices +/-' in the main programming menu to add or remove a device. From here you will be able to view a list of all the devices being installed and you can add or delete devices. The following items can be selected.

- Add Device
- Edit Devices
- Remove Device
- Program Siren

## Add Devices

- 1 To learn-in a new device select 'Add Device' then press ✓, a "push Button on Device to Add" message will be shown.
- 2 Press the learn-in button on the device within 30 seconds.
- 3 If a signal is detected, the screen will show the type of device found.
  - Devices are labeled by the following codes within the control unit:
    - Door Contact DC
    - PIR Sensor IR
    - Smoke Sensor SD
    - Remote Controller RC
    - Remote Keypad KP
    - Help Button FP (Fix-Panic)
  - When a sensor is added to the system for a second time, an error "Already in System" message will be briefly displayed and the control unit will wait for another learn-in signal.
- 4 Press ✓ to confirm the device type.
- 5 The following zone types will need setting for door contacts and PIRs:
  - Burglar
  - Home Omit
  - Entry
  - Away Entry
  - 24 Hour (DC only)

The following devices have a fixed **emergency zone type**:

- Smoke Detector
- Remote Controller emergency Button
- Help Button
- Remote Keypad dual emergency buttons
- Control Unit dual key emergency (1 and 3) keys

## Zone Type List

### Burglar

- When the system is in home or away armed mode and a burglar device is triggered, a burglar alarm will be activated immediately.
- A device set to burglar will not trigger an alarm during entry or exit delay periods.

### Home Omit

- A home omit device will be ignored when the system is home armed.
- A home omit device will give a burglar alarm when the system is away armed.

### Entry

- If an entry device is triggered when the system is either away or home armed, it will start an entry delay period to give enough time to disarm the system.
- If the delay period expires without being disarmed, the control panel will respond with a burglar alarm.
- If the device has been set to entry and triggered when the system is in disarmed mode, the control unit will make a 'ding-dong' door chime sound if the door chime feature is enabled.

### Away Entry

- If an away entry device is triggered when the system is in armed mode, the control unit will start an entry delay period to give enough time to disarm the system.
- If the delay period expires without being disarmed, the control panel will respond with a burglar alarm.
- An away entry device is ignored when home armed.
- The device will not give a "ding dong" chime sound when door chime is selected.

### 24 Hour

- The door contact is the only device that has this zone type, the PIR does not.
- A 24 Hour door contact is active all of the time and does not have to be armed or disarmed, if triggered a burglar alarm will be activated immediately.

### Emergency

- An emergency device is active all of the time does not have to be armed or disarmed, if triggered an emergency alarm will be activated immediately.

### Edit Devices

To edit all of the devices that has already been installed, choose 'edit devices' in the device +/- menu. All of the devices included in the system will be displayed.

- 1 Use ▲▼ keys to scroll the display and choose the device for editing. Press ✓ to select. Depending on the device a list of zone types will be given, otherwise you will be asked to enter a name.

- 2 If available select a zone type and press ✓ to confirm.
- 3 After confirming the zone type (if available), you are now asked to enter a name. Press ✓ to confirm or ⏪ to cancel without naming.

### Device Naming

- Each device can be given a 12 character name. Names can be given either when first adding a device or by editing them later.
- When the “**Enter New Name**” screen is displayed the numeric keyboard can be used to enter text. Simply find the corresponding numeric key with the required character and press repeatedly until the wanted character appears. Release the key and the flashing cursor automatically jumps to the next position for you to continue with the next character by the same method.
- The keys have the following functions:
  - 1 1
  - 2 2ABCabc
  - 3 3DEFdef
  - 4 4GHIghi
  - 5 5JKLjkl
  - 6 6MNomno
  - 7 7PQRSpqrs
  - 8 8TUVtuv
  - 9 9WXYZwxyz
  - 0 0 <space>/&’.+ ”
  - ⏪ Backspace and delete
- The name can be erased by clearing the display by pressing ⏪ repeatedly, followed by ✓.
- 4 Press ✓ when completed to confirm the name and return to the device list.

### Remove Device

To delete a device choose ‘remove device’ in the device +/- menu. A list of all programmed devices will be shown.

- 1 Use ▲▼ keys to select the device you wish to delete and press ✓.
  - 2 The selected device will be displayed again, press ✓ to confirm deletion or ⏪ to return to the device list without deleting.
- If a device name has not been programmed the screen will show the preset zone number instead.

### Program Siren

If an outdoor siren is to be included in the system, this should be programmed in to the control unit. To program the siren, select ‘program siren’ in the device +/- menu. The following items are available in this menu:

- Learn Siren
- Siren Tamp. On
- Siren Tamp. Off
- Confirm On
- Confirm Off
- Entry Snd On
- Entry Snd Off

### Learn Siren

- The control unit requires that at least one device is programmed into the system before the siren is added.
- Put the siren into learn mode (refer to Easy First Time Install, section 3, step 7)
- Use ▲▼ keys to select the “Learn Siren” menu.
- Press ✓ on the control unit.
- The control panel will give a long beep and transmit a signal to the bell box. The bell box should respond by activating its siren and strobe lights momentarily when any command is sent to it.

### Siren Tamp. On, Siren Tamp. Off

The siren tamper switch can be enabled and disabled remotely.

- The siren tamper protection automatically switches back on after an hour.

### Confirm On, Confirm Off

The siren can be enabled for arming and disarming confirmation where one pip and flash is given for arming, with two pips and flashes from side to side for disarming.

### Entry Snd On, Entry Snd Off

The entry and exit warning beeps can be echoed on the siren.

## Log

The alarm log memorises the last 30 system events including:

- All alarm events with device names and type
- All fault warning events
- All arming and disarming events
- The logged events are displayed in reversed

chronological order (most recent event first).

- The log is marked with a 'start' label before the most recent entry and 'end' after the oldest entry.

To view log:

- 1 Select the Log menu and press ✓.
- 2 The log can now be scrolled up and down and viewed with the ▲▼ keys; the most recent event will be at the start.
- 3 The first line displays the time and date of the event, the second line displays the type of event and the third line either states the user or the device that caused the event. Abbreviations used are:
  - "LB": low battery
  - "Tamp": tamper
  - "R": restore.
  - AC: mains power
  - Panic: emergency
  - Perimeter: entry or away entry device
  - Cancel: silencing an alarm with a help button

enter a PIN code followed by ✓.

- Up to 4 Pin codes can be stored.

- 1 Select 'Pin Code' then press ✓, a list of 4 PIN codes will be shown, occupied codes are shown with \*\*\*\*. The list can be scrolled up and down using the ▲▼ keys.
  - 2 Select the code you want to change and press ✓, enter your new PIN code and press ✓,
  - 3 You will be asked to repeat the PIN code, enter it again and confirm by pressing ✓, the new code is now programmed.
- ⏪ can be used to correct entry errors, pressing ⏪ repeatedly will return you to the PIN code list.
  - User 1 code can only be changed and cannot be erased. All other codes can be erased by selecting them and pressing ✓.
  - An error message will be shown if either an incorrect repeat code is used or a duplicate code is entered for another user. All codes have to be different.

## Adv. Settings

The settings will initially have factory default values. If you do not want to change them then you can escape any menu by pressing ⏪ without making changes.

The following items are available in this menu:

- Pin Code
- Entry Time
- Exit Time
- Entry Sound
- Exit Sound
- Door Chime
- Ring Tone
- Alarm Length
- C.U. Siren
- Tamper Alarm
- Mobility CHK
- Siren Delay
- Warning Beep
- Time
- Date

### Pin Code

The PIN Code (password) is used to configure the control unit and to disarm the system.

- To disarm, press the 'disarm' key followed by your PIN code.
- To enter the program menu press the 'pr' key,

### Entry Time

Entry time gives you a delay to allow you time to enter your premises and disarm the system. Times can be set from 00 seconds (no delay) up to 70 seconds in 10 second increments.

- 20 seconds is the factory default.

### Exit Time

Entry time gives you a delay to allow you leave your premises before the system arms. Times can be set from 00 seconds (no delay) up to 70 seconds in 10 second increments.

- 30 seconds is the factory default.

### Entry Sound

The control unit will beep during the entry delay period as an entry warning, you can switch the sound on and off with this setting.

- Entry sound on is the factory default.

### Exit Sound

The control unit will beep during the exit delay period as an exit warning, you can switch the sound on and off with this setting.

- Exit sound on is the factory default.

## Door Chime

Any door contact or PIR set to entry will cause the control unit to chime when activated when the system is disarmed. This is used to signal when anyone has entered your premises. You can switch the sound on and off with this setting.

- Chime off is the factory default.

## Ring Tone

The control unit can be made to beep when the phone is ringing, you can switch the sound on and off with this setting.

- Ringing off is the factory default.

## Alarm Length

The control unit built in siren will sound when an alarm is activated. The length of the alarm can be set from 1 to 15 minutes in 1 minute increments with this setting.

- 3 minutes is the factory default.

## C.U. Siren

You can disable the control unit's built-in siren with this setting.

- Siren on is the factory default.

## Tamper Alarm

This setting allows any tamper faults to be signaled by the control unit's built-in siren during disarmed and home armed conditions when set to normal. If set to away arm only, it will only give a fault indication. A tamper condition will always trigger a burglar alarm when the system is away armed. It is recommended that you use the normal setting.

- Away Arm Only is the factory default.

## Mobility CHK

Mobility check allows remote monitoring of the sick or infirm, if there is no movement around the house for a preset period of time, an emergency alarm will be activated and reported over the telephone line. This feature operates by having a preset timer that is reset by activation of any door contact or PIR, the timer is also reset by any key being pressed on the control unit and arming and disarming. If the timer is allowed to expire without a reset, an alarm will be given. The monitoring can be disabled or 4, 8 and 12 hour periods can be selected.

- Disable is the factory default.

## Siren Delay

This setting allows a delay before the control unit and external sirens are activated. You might want to use this if you do not want the control unit to draw

attention to itself during an alarm, to give it time to dial out on the telephone line. The delay can be set from Disable (no delay) to 10 minutes in increments of 1 minute.

- Disable is the factory default.

## Warning Beep

The control unit will give a reminder beep every 30 seconds in the event of a system fault, such as tamper or a low battery etc. This setting allows this feature to be switched on and off.

- Warning on is the factory default.

## Time

The control unit uses a 24 hour clock. The time is set by using the ▲▼ keys and confirmed by pressing the ✓ key.

## Date

The day and month are set by using the ▲▼ keys and confirmed by pressing the ✓ key.

## Tel. Settings

### (Telecommunicating Kit Only)

This menu allows you to program up to 3 telephone numbers, record an address message and place test calls, The following items can be selected.

- Tel. Numbers
- Rec. Address
- Test Report

### Tel. Numbers

This menu has a list of 3 telephone numbers ABC. These numbers are dialed in order, a maximum of 20 digits per number can be stored. Only one number is required to enable the control unit to report over the telephone line.

- 1 Use the ▲▼ keys to select a number from the list.
- 2 Press ✓ to confirm. If there was a number already stored then you will be asked to change the number, if the slot was empty you will be asked to enter a new number, confirm by pressing ✓.
- 3 Enter your phone number and confirm by pressing ✓.
  - Errors can be corrected by pressing ⏪ to backspace, pressing ⏪ repeatedly will take you back the telephone number list. Telephone numbers can be deleted in the same manner.



## Rec. Address

This menu allows the recording of your address. The maximum length of message is 10 seconds which is ample for most messages, when recording remember to speak clearly and slowly into the microphone.

- 1 Press ✓ and you will be either asked to record a new message or change an old one.
- 2 Press ✓ again and follow the on screen instructions. When you finish recording remember to press ✓ to stop recording. If you go over the 10 second recording time (indicated by a beep and a recording is over message) just repeat the recording procedure again taking care not to go over the 10 second time limit. The recording is complete.

## Test report

This menu allows you to test the telephone reporting feature.

- Please check with the call recipients before making a test call.
- Ensure that the telephone cord is plugged into a socket.

- 1 Select Test report and press ✓.
- 2 A list of numbers will be displayed, select the number you want to test and press ✓.
- 3 The control unit will now display call progress.
  - The address message and pre-recorded emergency, burglar and acknowledgement request messages will be played in a loop for 85 seconds.
  - The test can be cancelled at any time by either pressing the ⏏ button or the call recipient pressing "9" on their phone to acknowledge the call. If a radio DECT or mobile phone is used, remember to press 9 repeatedly until the call closes.
  - Check that the call has been successfully received.

# 6 Using the System

Arm and disarm the system and practice using it. Trigger the alarm by arming the system and opening protected door/windows and walking past PIRs. Now is the time to show the rest of the family how simple it is to use.

## Away Arm

### Arming the System

- 1 When the system is disarmed (alarm off), press the arm key on the control unit, keypad or keyfob.
- 2 The control unit will start its countdown.
- 3 When the exit delay time is up, the control unit will sound a long beep. The siren will beep once and the strobe will flash once after the exit delay has expired. 'Alarm on' will be displayed on the screen and the system is now in away armed.
- 4 If there are faults within the system, i.e. the tamper switch of a sensor left opened, the user will not be able to arm the system with the Keypad or Keyfob until the fault is rectified. The user can use the control panel to force arm the system by pressing arm twice and then ✓.

### Stopping the Exit Delay by Disarming

- 1 Press the disarm key on the keyfob or press the disarm key followed by a PIN code on the control unit and keypad.
- 2 'Alarm off' will be displayed on the screen and the system will return to disarmed mode.

### Extending the Exit Delay

- The exit delay time can be extended during the exit delay period by pressing the arm button on the keypad or keyfob. Each time the arm button is pressed, the delay time starts counting from the beginning.

### Alarm Activation

- If any Door/Window contact or PIR sensor set to entry or away entry is triggered, the entry timer will be started. If the entry timer is allowed to expire and alarm will be activated.
- If other sensors not set to entry or away entry is triggered, the alarm will be activated immediately.

## Disarm

### Disarming the System

- 1 Press the disarm key on the keyfob or press the disarm key followed by a PIN code on the control unit and keypad.
- The keyfob only will only disarm the system during entry time after an entry or away entry door/window contact or PIR has been triggered.

- 2 The control unit will sound a long beep. The siren will beep twice and the strobe will flash side to side. 'Alarm off' will be displayed on the screen and the system is now disarmed.

## Home Arm

The home mode allows the home to be partially armed so that no one can get inside without first disarming the system. However, the person inside the house can move freely around without triggering the alarm. Home mode is usually used to protect the ground floor when you are upstairs in bed.

### Arming in Home Mode

- 1 When the system is disarmed (Alarm off), press the home arm key on the control unit, keypad or keyfob.
- 2 The control unit will start its countdown.
- 3 When the exit delay time is up, the control unit will sound three short beeps. The siren will beep once and the strobe will flash once after the exit delay has expired. 'Home' will be displayed on the screen and the system is now in home armed.
- 4 If there are faults within the system, i.e. the tamper switch of a sensor left opened, the user will not be able to arm the system with the Keypad or Keyfob until the fault is rectified. The user can use the control panel to force arm the system by pressing home arm twice and then ✓.

### Extending the Exit Delay

- The exit delay period can be extended in a similar manner as described in Away Arm.

### Alarm Activation

- If any door/window contact or PIR sensor set to entry is triggered, the entry timer will be started. If the entry timer is allowed to expire and alarm will be activated.
- Home omit and away entry sensors will be ignored.
- If other sensors not set to home omit, entry or away entry are triggered, the alarm will be activated immediately.

## Stop the Alarm and Alarm Display

During an alarm, the control panel and outside siren will sound and dial the emergency phone number. The control unit will display "ALARM! ALARM!" to notify the user.

### Stopping the Alarm

- 1 Press the disarm key and enter a user code on the control unit or keypad. The control unit will sound a long beep and display the device that caused the alarm. The siren will beep twice and the strobe will flash side to side.
  - The keyfob cannot stop an alarm caused by burglar or emergency device.
- 2 When the control unit is displaying the source of the alarm, pressing any key will display the telephone number that it dialled out and acknowledged (if any). If there were more than 2 numbers that were acknowledged the numbers will be shown by pressing further keys.
- 3 When "Alarm off" is displayed the system is disarmed.

### Alarm Memory

- If an alarm was raised during your absence, and the alarm sequence has been carried out, the screen will continuously show "ALARM! ALARM!".
- Disarm the system as normal and the siren will give 3-second alarm sound instead of the normal two beeps to indicate that there might still be an intruder still in the house.
- To clear the display, follow the same steps as 'Stopping the Alarm' described above.

---

## Dialling and Call Acknowledgement (Applicable to Telecommunicating Kit Only)

### Auto Dialling

- If the system is in away arm mode, when an alarm occurs the control unit will immediately dial the preset phone numbers.
- If the system is in home mode or disarmed mode when an audible alarm is initiated, the control unit will wait for 15 seconds before dialling the preset phone numbers.

- After dialling, the control panel will wait 5 seconds then playback the messages in a loop. It will first play the recorded address message then the pre-recorded messages (Burglar, Emergency) depending on the nature of the alarm and finally an acknowledgement request message.
- The recipient should acknowledge the message by pressing '9' on their telephone when prompted.
- Recipients using radio DECT phones or mobiles should press the numbers repeatedly until the call is closed.
- If the control unit does not receive an acknowledgement, the messages will be repeated for a period of 80 seconds before attempting to dial again. Each number will have 5 call attempts.
- The control panel will continue to dial the number(s) until a call is successfully answered with a '9' acknowledgement.
- System auto-dialling features only operate under tone-dialling method.
- When no telephone number is stored or no message is recorded, the control panel will not dial out.

### Remote Access

The control unit allows you to control your system remotely through the telephone line.

- 1 Dial the phone number associated with the Control panel.
- 2 Hang up on the first ring.
- 3 Wait 5-10 seconds.
- 4 Dial the number again.
- 5 The control unit will answer the phone on the first ring of that second call.
- 6 Enter your PIN Code within 3 seconds.
- 7 If the PIN code is correct, you will hear a long beep. A list of different functions is detailed below:

**Press 2** Put the system into away armed mode (arm the system).

**Press 3** Disarm the system.

**Press 5** Checking the system status. Long single beep for Away Armed, two beeps for Disarmed and three beeps for Home Armed.

**Press 7** Siren on.

**Press 8** Siren off.

**Press 9 or 0** Disconnect.

- Remember to press 9 or 0 before you hang up, or the control unit will hang up automatically after 30 seconds.

# Adding and using Accessories

To provide additional protection you can add extra door/window contacts, PIRs, keyfob remote controls, keypad remote controls, help buttons and smoke detectors. These are available separately from your local stockist.

## Preparation

See section 2, 'Unpack all the parts', for battery insertion or activation and part identification. See also section 1 'Location planning' and section 4 'Installation/Mounting' sections for installation details and suggestions.

## Adding accessories to your system

- 1 From the programming menu of the control unit, select the 'Devices +/-' and press ✓, select 'Add Device' and press ✓ again.
- 2 Press the Learn button on the device when prompted and confirm it is the correct detector by pressing ✓.

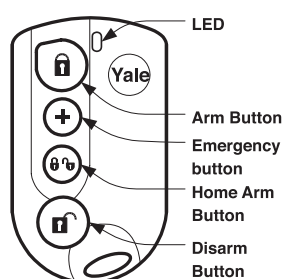
### Learn buttons:

- Keyfob: Press arm
- PIR: Press the test button
- Door/Window contact: Press the test button
- Help button: Press the emergency button
- Smoke detector: Press the test button
- Keypad: Press arm. The keypad will need initialising first, see keypad code changing and setting below.

- 3 Depending on the device learnt in, finish the programming as prompted.

## Using your keyfob

- The keyfob can be used to Away Arm, Home Arm, and Disarm the system using the buttons as shown.
- An emergency alarm can be activated by pressing the emergency button for 3 seconds until LED stops flashing.
- An emergency alarm can only be stopped by using the control unit keypad or a remote keypad.
- The system can only be disarmed after an entry or away entry sensor is activated (in the entry period).

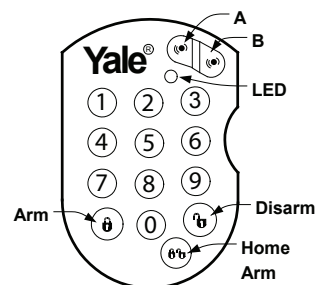


## Keypad

### Keypad code changing and setting

The keypad code is separate from the user codes and is used to access the keypad test (programming) mode. This will need to be changed to preserve security. The keypad has two operational modes, PIN code and command. The keypad needs to be set to the PIN code mode to be compatible with the control unit.

- 1 Press the 'A' key followed by factory default keypad code '0000'.
  - 2 The LED will now flash slowly indicating it is in test (programming) mode.
  - 3 Press the 'A' key followed by the '7' key to set the keypad into PIN code mode.
  - 4 Press the 'B' key and enter new four digit keypad code followed by the Arm key.
  - 5 Quit test mode by pressing the disarm key twice. The keypad code and mode setting has been completed.
- The keypad code is not used by the system, only the keypad itself. You should not have to use this code again so make a note of it and keep it in a safe, secure place.



### Forgotten keypad code

If the keypad code is accidentally forgotten, the keypad can be reset to factory default using the following steps:

- 1 Unscrew the two keypad case screws and remove keypad back cover. Locate and remove the battery.
- 2 Press the number '3' key at the same time as reinserting the battery.
- 3 Screw the keypad case together and re-learn the keypad into the system using the steps described above in this section.

## Using your keypad

- The keypad can be used to Away Arm and Home Arm the system using the buttons as shown.
- The system is disarmed by pressing the disarm button followed by any user code, similar to using the control unit keypad.
- An emergency alarm can be activated by pressing the A and B buttons simultaneously.
- The keypad uses the user codes programmed into the control unit for disarming.

## Using your smoke detector

### Smoke Detection

When smoke is detected the device will activate for a minimum of 10 seconds with a two tone alarm and flashing LED for a local fire alarm. The detector will send a radio signal to the control unit for activating a system fire alarm.

- Pressing the test button when in an alarm condition will silence the alarm for 10 minutes. It will automatically resume smoke detection again after this period.
- If the smoke density is still over the alarm threshold, then the smoke detector will remain in an alarm condition and it will repeat the local fire alarm with a radio fire alarm signal to the control unit.

### Testing

- Smoke detector testing should be done on a regular monthly basis. Pressing the test button will make the LED flash, the audible sounder chime and will send a radio test signal to the control unit when the button is released. If nothing happens after pressing the test button, it indicates the batteries will need changing.

### Recalibration

- The smoke detector might need recalibrating after time to ensure it is working at its optimum. This is done by pressing and holding the test button until the LED flashes and beeps after 10 seconds. The detector will then start its self calibration routine.

## Using your Help Button

### Activate an Alarm

- Press and hold the red button for at least 2 seconds- LED will light momentarily and the alarm will be activated.

### Silence an Alarm

- Press and hold down the red button, after 10 seconds the LED will light momentarily for a second time and the alarm will be silenced.
- Please note that silencing the alarm with the help button does not reset the system. If the alarm is armed prior to activation, the system will re-arm after being silenced with the help button.
- The system will require a reset at the control unit after being silenced with the help button.

# Changing the Batteries

Always use alkaline batteries or the correct type of coin cells as replacements because any other battery can cause problems with the operation of the system. Typical life of batteries is two years or more. Ensure the correct steps are taken when changing batteries in tamper protected devices.

## Control unit low battery Indication

The control unit will display all device low battery conditions with the exception of the siren. This is shown by a fault display with the fault LED lit on the front panel. In addition the devices also can show low battery conditions as described below. When a device first shows low battery signal it has enough battery capacity to operate for a further month before complete exhaustion.

### Siren battery change

When the batteries start getting low the siren will produce a series of pips and flashes during arming and disarming.

- 1 Switch off tamper protection at the control unit as described in section 4 'Mounting alarm devices'.
- 2 Remove the siren lid and switch the siren power switch to OFF.
- 3 Unscrew the four screws on the battery compartment lid and remove the cover.
- 4 Remove the four batteries and replace them with four fresh alkaline "D" cells.
- 5 Switch on siren power and check that the siren beeps and flashes.

**Warning:** After the batteries have been changed the tamper will become active again, either be very careful when fitting the siren cover or switch off the tamper protection again.

- 6 Replace battery compartment lid and screws and reattach siren lid. Switch tamper protection back on.
- Siren case tamper conditions are also signalled by a series of beeps when the system is armed but not when the system is disarmed (low battery warning produces a series of pips when armed and disarmed), take care not to confuse the two different conditions.

### PIR battery change

When the battery is low the LED will flash when any movement is detected. The batteries are changed as follows:

- 1 Put control unit into programming mode to prevent a tamper alarm.
  - 2 Loosen the case screw and remove PIR sensor from base to reveal three AAA batteries.
  - 3 Insert new alkaline batteries observing correct polarity. The PIR LED will flash for 30 seconds while initialising.
  - 4 Refit sensor on base and tighten bottom case screw. Switch tamper protection back on.
- PIR case tamper conditions are also indicated by a flashing LED, check the tamper before changing the batteries.

### Door/Window Sensor battery change

When the battery is low the LED will flash when the door/window is opened. The battery is changed as follows:

- 1 Put control unit into programming mode to prevent a tamper alarm.
  - 2 Loosen the case screw and remove door/window sensor from base to reveal battery.
  - 3 Using a screwdriver gently lever out the old battery.
  - 4 Insert new CR2032 coin cell with the + side uppermost.
  - 5 Press battery into holder firmly with finger and thumb until a click is heard.
  - 6 Refit sensor on base and tighten bottom case screw. Switch tamper protection back on.
- Door/window sensor case tamper conditions are also indicated by a flashing LED, check the tamper before changing the battery.

### Keyfob battery change

When the battery is low the LED will glow dimly when any key is pressed. The battery is changed as follows:

- 1 Using a coin turn the battery cover anticlockwise to the unlocked position and remove cover and battery.
- 2 Insert new CR2032 coin cell with the + side uppermost.
- 3 Replace battery cover.

Press any key and check that the LED lights. If the LED lights the new battery installation is successful.

### Keypad battery change

When the battery is low the LED will glow dimly when any key is pressed. The battery is changed as follows:

- 1 Unscrew the two keypad case screws and remove keypad back to reveal battery.
- 2 Using a screwdriver gently lever out the old battery.
- 3 Insert new CR2032 coin cell with the + side uppermost.
- 4 Press battery into holder firmly with finger and thumb until a click is heard.
- 5 Press a number key and check that the LED lights. If the LED lights the new battery installation is successful, screw keypad back on and the battery change is complete.

### Help button battery change

When the battery is low the LED will glow dimly when the button is pressed. The battery is changed as follows:

- 1 Loosen the bottom case screw and take button cover off base.
- 2 Insert new 12V 23A/MN21 alkaline miniature 'lighter battery', taking care to observe polarity (see Section 2).
- 3 Replace button cover.

Press the button and check that the LED lights. If the LED lights the new battery installation is successful.

### Smoke detector battery change

When the battery is low the LED will flash accompanied with a Low-volume beep once every 30 seconds.

- 1 Rotate smoke detector anti-clockwise to detach from base bayonet fixing.
- 2 Insert new AAA alkaline batteries, taking care to observe polarity and wait 10 minutes for the smoke detector to recalibrate itself, indicated by a rapidly flashing LED..
- 3 Replace smoke detector on base and rotate clockwise to lock.
- 4 Press the test button and check that the LED lights and the sounder chimes.

# Troubleshooting

For online assistance, please visit: [www.YaleSupport.com](http://www.YaleSupport.com)

## Siren

### Siren does not respond to arming or disarming

- Siren batteries are completely exhausted. Check siren batteries by removing siren cover, if there is no tamper alarm when removed, replace batteries with new alkaline equivalents.
- Siren not learnt-in. If siren produces a tamper alarm when the cover is removed and siren is OK, learn-in the siren.

### Siren produces a 3 second alarm when disarmed

- There has been a previous alarm and there might be an intruder still in the premises.

### Siren produces a series of pips when armed or disarmed

- The siren has low batteries. Check that the siren produces a series of pips when arming and disarming, indicating low batteries. Change batteries with new alkaline replacements.
- The siren tamper switch has been disturbed. Check that the siren produces a series of pips only when arming, indicating a tamper fault. Check that the siren cover is firmly secured and the tamper switch plunger is in contact with the wall. If not use suitable packing material to fill gap.

### Siren produces an interrupted tone when sounding an alarm

- The siren has low batteries. Change batteries with new alkaline replacements.

### Siren will not learn-in

- No detectors are learnt-in. Learn-in a detector first. The siren will not learn-in into a control unit without a previously learnt-in detector.

## PIR

### PIR does not respond to movement

- Previous movement has triggered the PIR sleep timer and is preventing subsequent movement detection. Arm system and vacate protected room for at least 1.5 minutes before testing.

### PIR is slow to respond

- This is normal, the PIR has sophisticated false alarm filtering that will filter out random fluctuations and responds to genuine movement across field of view, it is less sensitive walking directly towards it.

### PIR gives false alarms

- Check pets have no access to protected area.
- Check that PIR is not pointed at sources of heat or moving objects, e.g. fluttering curtains.
- Check that PIR is not mounted above convector heaters or pointing directly at windows.

### PIR LED flashes

- Batteries are low or the tamper switch is disturbed. Check that the tamper switch spring is making contact with base. If the tamper switch is OK, change batteries with new alkaline replacements.

### PIR does not respond to movement

- Batteries are completely exhausted. Change batteries with new alkaline replacements, LED will flash for 30 seconds while components initialise.

## Door contact

### Door contact LED flashes

- Batteries are low or the tamper switch disturbed. Check that the tamper switch spring is making contact with the mounting surface. If the tamper switch is OK, change batteries with new CR2032 coin cell replacements.

### Door contact does not respond to door opening when jumper is in test position

- Batteries are completely exhausted. Change batteries with new CR2032 coin cell replacements.
- The magnet is too far away from the door contact. Check that the gap between door contact and magnet is not greater than 8mm.

## Control unit

### User PIN code is not accepted by the control unit.

- Do not pause for more than 5 seconds in between pressing the keys on the keypad.
- Incorrect code entered. Re-enter the correct PIN code.
- Reset settings - see 'Reset Procedure' and reprogram the system.



## Kits with telephone dialler function

### Voice - Dialler not responding to alarm

- Check the telephone line is connected and that the correct telephone numbers have been programmed.
- Ensure that an address message has been recorded.

---

## Faulty Situations

- In case any of the following faulty situations occur, the yellow LED will light with a warning beep every 30 seconds (if switched on).
  - Interference
  - Tamper
  - Radio Device Low Battery
  - AC Power Fail
- A fault display will be show when the Arm or Home Arm keys are pressed, with the device and fault that is causing the problem.
- If more than one fault is present then individual fault messages will be displayed sequentially at 2-second intervals.

## Reset Procedure

### Reset to factory default setting

The control panel can clear all programmed parameters by the following sequence:

- 1 Power down control panel and remove the battery.
- 2 Apply power while holding down the ▲ key.
- 3 Release the ▲ key when a tone is heard, 'Enter Code' will be displayed.
- 4 Enter the following key sequence:  
▲▼▲▼▲▼▲▼✓
- 5 Press the ↻ key.
- 6 All programmed parameters are reset to factory default setting.
- 7 If more than 17 incorrect keys are entered, then the unit will revert to normal Alarm On mode.

### Note

- Once the 'System Reset' is executed, all the programmed data is return to its default value and all the programmed devices will be removed.

# Specifications

## All devices

### Environmental conditions

-10°C to 40°C, relative humidity 70% non-condensing for all units except the external siren. Siren: -20°C to 50°C, relative humidity 95% non-condensing

### Radio operational range

30m in a typical domestic installation, range can vary depending on building construction, device positions and RF environment

**Housings** ABS/polycarbonate

## Control unit

**Display** Backlit 2 x16 character LCD

**Keypad** 18 key

**Siren Output** 100dBA sound pressure @ 1m minimum

**Zones** 20 radio devices

**Radio system** 433.92MHz AM Integral transmitter and super heterodyne receiver with jamming detection

**Power supply** Plug top adaptor type, input 230VAC 50Hz, output 9VDC, 500ma, tested to EN 60950

**Rechargeable battery** Ni-MH, 7.2V 600mah, charge time 30hrs, standby time 10hrs

**Telephone interface** Tested to TBR 21. REN rating 1

## Siren

**Siren output** 104dBA sound pressure @ 1m minimum

**Radio** 433.92MHz AM super heterodyne receiver with jamming detection

**Power supply** 6V, 4 x D alkaline cells. 3 years typical service life

## Passive infra red (PIR) Detector

**Alarm processing** Microprocessor controlled dual edge sequential pulse count with pulse length discrimination

**Radio** 433.92MHz AM transmitter

**Power supply** 4.5V, 3 x AAA alkaline cells. 2 years typical domestic service life, 1-minute sleep timer

**Movement detection range** 15m, 110°

## Door/window contact

**Radio** Microprocessor controlled 433.92MHz AM transmitter

**Power supply** 3V, CR2032 lithium coin cell. 2 years typical domestic service life

## Smoke detector

**Radio** Microprocessor controlled 433.92MHz AM transmitter

**Power supply** 6V, 4 x AAA alkaline cells. 3 years typical domestic service life

**Tested to** EN54

## Keyfob remote control

**Radio** Microprocessor controlled 433.92MHz AM transmitter

**Power supply** 3V, CR2032 lithium coin cell. 3 years typical domestic service life

## Keypad remote control

**Radio** Microprocessor controlled 433.92MHz AM transmitter

**Power supply** 3V, CR2032 lithium coin cell. 3 years typical domestic service life

## Help button

**Radio** Microprocessor controlled 433.92MHz AM transmitter

**Power supply** 12V 23A/MN21 alkaline miniature 'lighter battery'. 3 years typical domestic service life

**ASSA ABLOY Ltd.**  
School Street, Willenhall  
West Midlands  
England, WV13 3PW

## EC Declaration of Conformity

We: ASSA ABLOY Ltd.  
School Street  
Willenhall  
West Midlands  
England  
WV13 3PW

declare under our sole responsibility that the following product(s):

**Model: HSA6010**  
**HSA6020**  
**HSA6021**  
**HSA6050**  
**HSA6060**  
**HSA6080**  
**HSA6090**  
**HSA6091**  
**HSA3045**  
**HSA3070**


is (are) in conformity with the following relevant harmonised standards:

**EN 300 220-1 / V2.1.1 (2006-04)**  
**EN 301 489 -1, / V1.6.1 (2004-12)**  
**EN 301 489-3, / V 1.4.1 (2002-08)**  
**EN 60 950 / 2001 + A11 + corrigendum 2004**

following the provisions of Council Directive 1999/5/EC on radio equipment and telecommunications terminal equipment and the mutual recognition of their conformity,

Name: John Ward

Position: Director

Signature: 

Date: 16/11/06

On behalf of ASSA ABLOY Ltd.



**WEEE**

Note: Waste electrical products and batteries should not be disposed of with household waste. Please recycle where facilities exist. Check with your local authority or retailer for recycling advice.

An ASSA ABLOY Group brand

NoPb C E 

E3 11\09

**THE YALE BRAND**, with its unparalleled global reach and range of products, reassures more people in more countries than any other consumer locking solution.

**THE ASSA ABLOY GROUP** is the world's leading manufacturer and supplier of locking solutions, dedicated to satisfying end-user needs for security, safety and convenience.

**ASSA ABLOY**