

WIRING DIAGRAMS

TABLE OF CONTENTS

	page		page
AIR CONDITIONING-HEATER	8W-42-1	INTERIOR LIGHTING	8W-44-1
AIRBAG SYSTEM	8W-43-1	POWER DISTRIBUTION	8W-10-1
ANTI-LOCK BRAKES	8W-35-1	POWER DOOR LOCKS	8W-61-1
AUDIO SYSTEM	8W-47-1	POWER MIRRORS	8W-62-1
CHARGING SYSTEM	8W-20-1	POWER SUNROOF	8W-64-1
COMPONENT INDEX	8W-02-1	POWER WINDOWS	8W-60-1
CONNECTOR PIN-OUTS	8W-80-1	REAR LIGHTING	8W-51-1
CONNECTOR/GROUND LOCATIONS	8W-90-1	REAR WINDOW DEFOGGER	8W-48-1
FRONT LIGHTING	8W-50-1	SPLICE INFORMATION	8W-70-1
FUEL/IGNITION SYSTEM	8W-30-1	SPLICE LOCATIONS	8W-95-1
FUSE BLOCK	8W-11-1	STARTING SYSTEM	8W-21-1
GENERAL INFORMATION	8W-01-1	TURN SIGNALS	8W-52-1
GROUND DISTRIBUTION	8W-15-1	VEHICLE THEFT SECURITY SYSTEM	8W-39-1
HORN/CIGAR LIGHTER/POWER OUTLET ..	8W-41-1	WIPERS	8W-53-1
INSTRUMENT CLUSTER	8W-40-1		

8W-01 GENERAL INFORMATION

TABLE OF CONTENTS

	page		page
DESCRIPTION AND OPERATION		TROUBLESHOOTING WIRING PROBLEMS	10
CIRCUIT FUNCTIONS	4	SERVICE PROCEDURES	
CIRCUIT INFORMATION	4	CONNECTOR AND TERMINAL	
CONNECTOR INFORMATION	7	REPLACEMENT	13
ELECTROSTATIC DISCHARGE (ESD)		CONNECTOR REPLACEMENT	12
SENSITIVE DEVICES	8	DIODE REPLACEMENT	15
INTRODUCTION	1	TERMINAL REPLACEMENT	14
NOTES, CAUTIONS, and WARNINGS	7	TERMINAL/CONNECTOR REPAIR- AUGAT	
SECTION IDENTIFICATION	5	CONNECTORS	12
SPLICE LOCATIONS	7	TERMINAL/CONNECTOR REPAIR-MOLEX	
SYMBOLS	5	CONNECTORS	11
TAKE OUTS	8	TERMINAL/CONNECTOR REPAIR—THOMAS	
TERMINOLOGY	7	AND BETTS CONNECTORS	11
DIAGNOSIS AND TESTING		WIRING REPAIR	10
INTERMITTENT AND POOR CONNECTIONS	8	SPECIAL TOOLS	
TROUBLESHOOTING TESTS	9	WIRING/TERMINAL	16
TROUBLESHOOTING TOOLS	8		

DESCRIPTION AND OPERATION

INTRODUCTION

DiamlerChrysler wiring diagrams are designed to provide information regarding the vehicles wiring content. In order to effectively use DiamlerChrysler wiring diagrams to diagnose and repair a DiamlerChrysler vehicle, it is important to understand all of their features and characteristics.

Diagrams are arranged such that the power (B+) side of the circuit is placed near the top of the page, and the ground (B-) side of the circuit is placed near the bottom of the page.

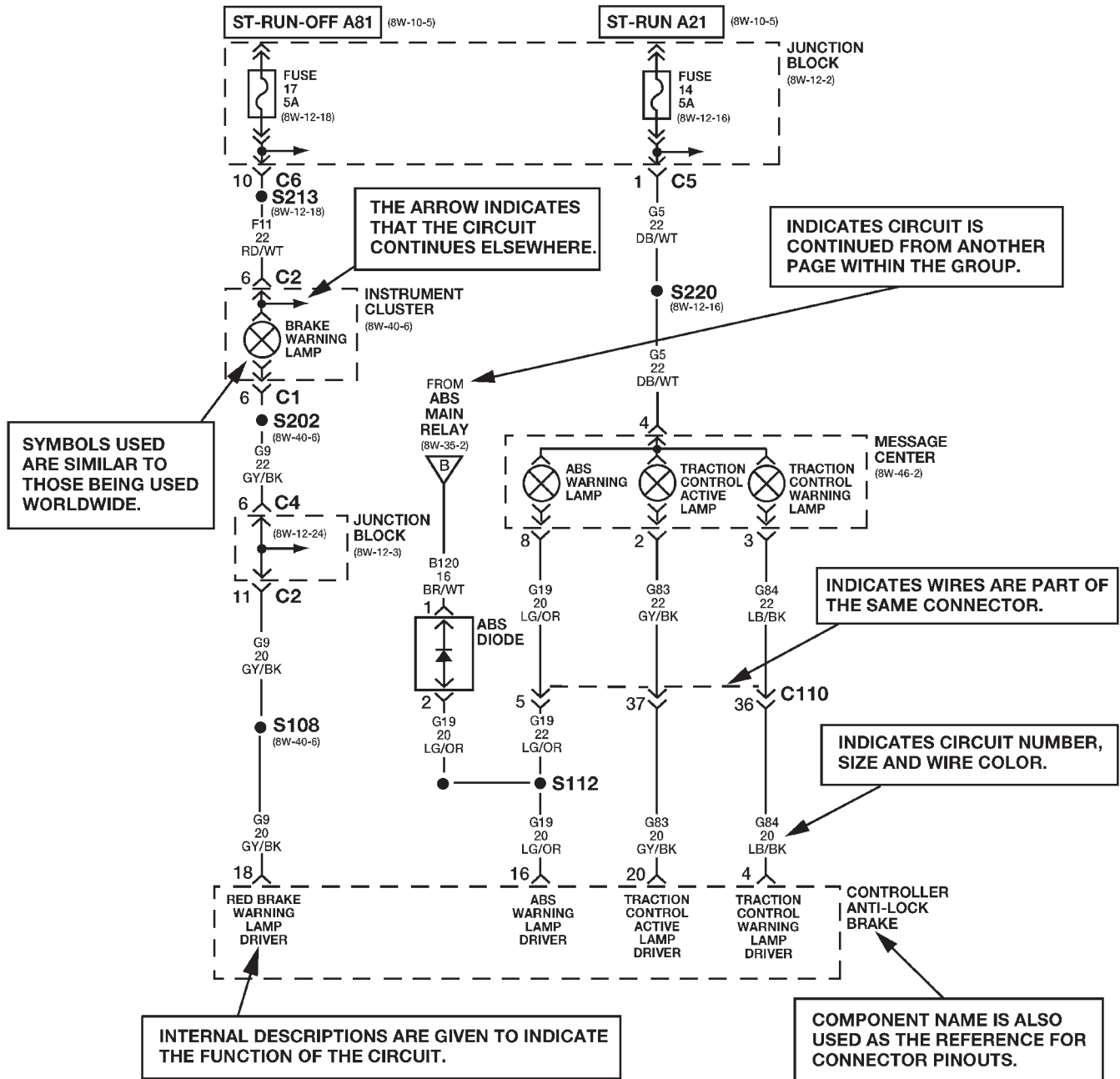
All switches, components, and modules are shown in the at rest position with the doors closed and the key removed from the ignition.

Components are shown two ways. A solid line around a component indicates that the component is complete. A dashed line around a component indicates that the component being shown is not complete. Incomplete components have a reference number to indicate the page where the component is shown complete.

It is important to realize that no attempt is made on the diagrams to represent components and wiring as they appear on the vehicle. For example, a short piece of wire is treated the same as a long one. In addition, switches and other components are shown as simply as possible, with regard to function only.

DESCRIPTION AND OPERATION (Continued)

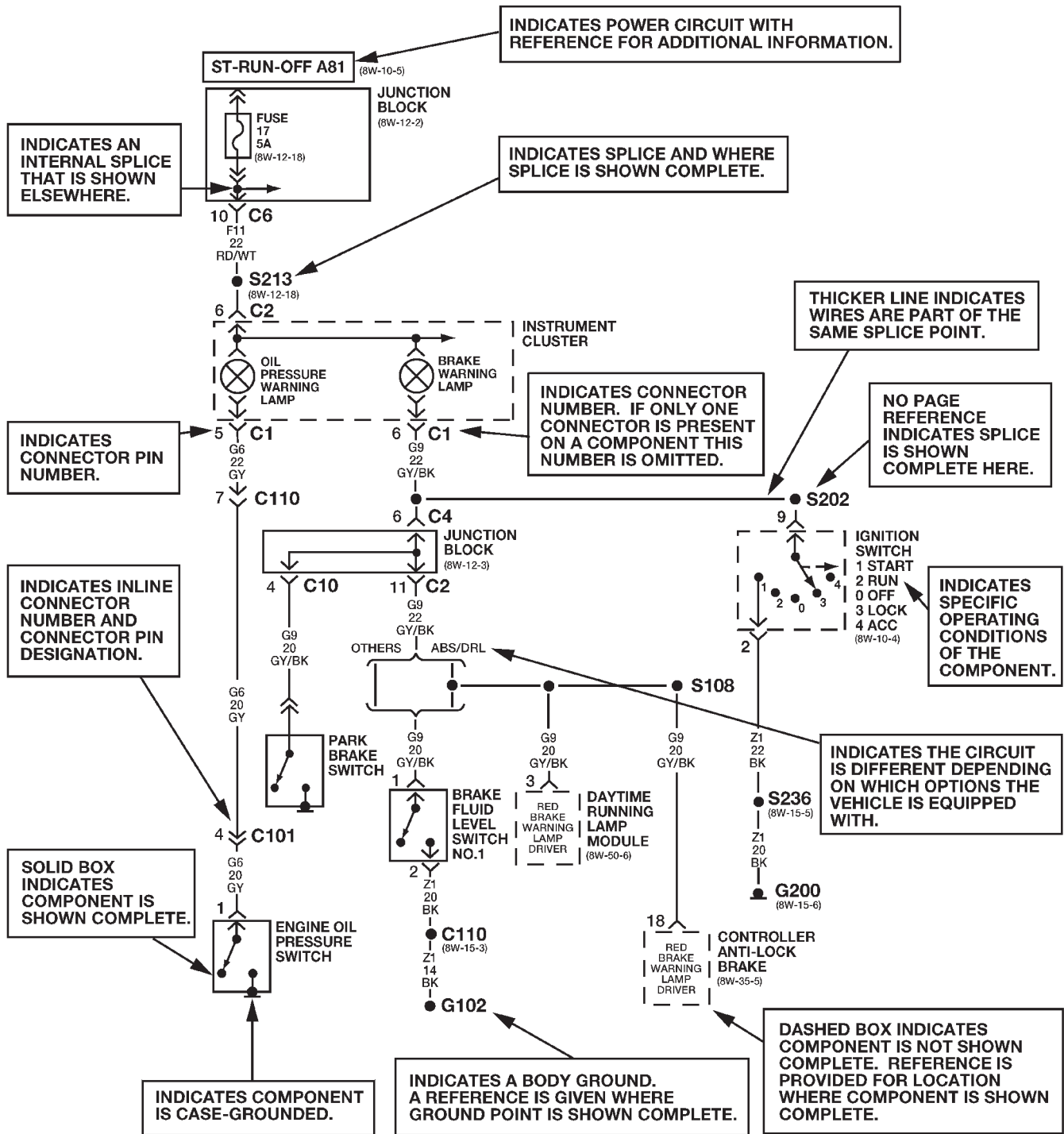
DIAGRAMS ARE ARRANGED WITH THE POWER B+ SIDE OF THE CIRCUIT NEAR THE TOP OF THE PAGE, AND THE GROUND SIDE OF THE CIRCUIT NEAR THE BOTTOM OF THE PAGE.



80b3b272

The System shown here is an EXAMPLE ONLY. It does not represent the actual circuit shown in the WIRING DIAGRAM SECTION.

DESCRIPTION AND OPERATION (Continued)



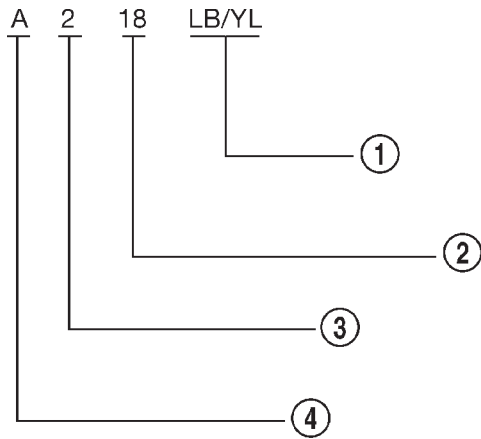
80b3b273

The System shown here is an EXAMPLE ONLY. It does not represent the actual circuit shown in the WIRING DIAGRAM SECTION.

DESCRIPTION AND OPERATION (Continued)

CIRCUIT INFORMATION

Each wire shown in the diagrams contains a code which identifies the main circuit, part of the main circuit, gage of wire, and color (Fig. 1).



80aff571

Fig. 1 Wire Code Identification

- 1 - COLOR OF WIRE (LIGHT BLUE WITH YELLOW TRACER)
- 2 - GAUGE OF WIRE (18 GAUGE)
- 3 - PART OF MAIN CIRCUIT (VARIES DEPENDING ON EQUIPMENT)
- 4 - MAIN CIRCUIT IDENTIFICATION

WIRE COLOR CODE CHART

COLOR CODE	COLOR	STANDARD TRACER COLOR
BL	BLUE	WT
BK	BLACK	WT
BR	BROWN	WT
DB	DARK BLUE	WT
DG	DARK GREEN	WT
GY	GRAY	BK
LB	LIGHT BLUE	BK
LG	LIGHT GREEN	BK
OR	ORANGE	BK
PK	PINK	BK or WT
RD	RED	WT
TN	TAN	WT
VT	VIOLET	WT
WT	WHITE	BK
YL	YELLOW	BK
*	WITH TRACER	

CIRCUIT FUNCTIONS

All circuits in the diagrams use an alpha/numeric code to identify the wire and its function. To identify which circuit code applies to a system, refer to the Circuit Identification Code Chart. This chart shows the main circuits only and does not show the secondary codes that may apply to some models.

CIRCUIT IDENTIFICATION CODE CHART

CIRCUIT	FUNCTION
A	BATTERY FEED
B	BRAKE CONTROLS
C	CLIMATE CONTROLS
D	DIAGNOSTIC CIRCUITS
E	DIMMING ILLUMINATION CIRCUITS
F	FUSED CIRCUITS
G	MONITORING CIRCUITS (GAUGES)
H	OPEN
I	NOT USED
J	OPEN
K	POWERTRAIN CONTROL MODULE
L	EXTERIOR LIGHTING
M	INTERIOR LIGHTING
N	NOT USED
O	NOT USED
P	POWER OPTION (BATTERY FEED)
Q	POWER OPTIONS (IGNITION FEED)
R	PASSIVE RESTRAINT
S	SUSPENSION/STEERING
T	TRANSMISSION/TRANSAXLE/ TRANSFER CASE
U	OPEN
V	SPEED CONTROL, WIPER/WASHER
W	OPEN
X	AUDIO SYSTEMS
Y	OPEN
Z	GROUNDS

DESCRIPTION AND OPERATION (Continued)

SECTION IDENTIFICATION









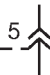














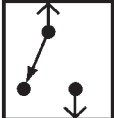
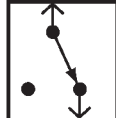




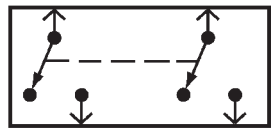
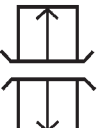
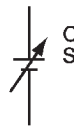


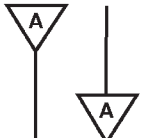





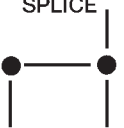
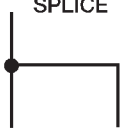










The wiring diagrams are grouped into individual sections. If a component is most likely found in a particular group, it will be shown complete (all wires, connectors, and pins) within that group. For example, the Auto Shutdown Relay is most likely to be found in Group 30, so it is shown there complete. It can, however, be shown partially in another group if it contains some associated wiring.

SYMBOLS

International symbols are used throughout the wiring diagrams. These symbols are consistent with those being used around the world.

GROUP	TOPIC
8W-01 thru 8W-09	General Information and Diagram Overview
8W-10 thru 8W-19	Main Sources of Power and Vehicle Grounding
8W-20 thru 8W-29	Starting and Charging
8W-30 thru 8W-39	Powertrain/Drivetrain Systems
8W-40 thru 8W-49	Body Electrical items and A/C
8W-50 thru 8W-59	Exterior Lighting, Wipers, and Trailer Tow
8W-60 thru 8W-69	Power Accessories
8W-70	Splice Information
8W-80	Connector Pin Outs
8W-90	Connector Locations (including grounds)
8W-95	Splice Locations

DESCRIPTION AND OPERATION (Continued)

 BATTERY  GENERATOR STATOR COILS	 2 C123 IN-LINE CONNECTORS  2 C123
 FUSIBLE LINK  FUSE  CIRCUIT BREAKER	MULTIPLE CONNECTOR  8  5  2 C123 MALE CONNECTOR  4 C1 FEMALE CONNECTOR  6 C3
 BATT A0 HOT BAR  CHOICE BRACKET (8W-30-10) PAGE REFERENCE	 SINGLE FILAMENT LAMP  DUAL FILAMENT LAMP  ANTENNA
 CLOCKSPrING  GROUND G101  SCREW TERMINAL	NPN TRANSISTOR  PNP TRANSISTOR  TONE GENERATOR 
 OPEN SWITCH  CLOSED SWITCH	 LED  PHOTODIODE  DIODE  ZENER DIODE
 GANGED SWITCH  SLIDING DOOR CONTACT	 OXYGEN SENSOR  GAUGE  PIEZOELECTRIC CELL
 WIRE ORIGIN & DESTINATION SHOWN WITHIN CELL  WIRE DESTINATION SHOWN IN ANOTHER CELL	 RESISTOR  POTENTIOMETER  VARIABLE RESISTOR  HEATER ELEMENT
EXTERNAL SPLICE  S350 INTERNAL SPLICE  INCOMPLETE SPLICE (INTERNAL) 	NON-POLARIZED CAPACITOR  POLARIZED CAPACITOR  VARIABLE CAPACITOR 
 ONE SPEED MOTOR  TWO SPEED MOTOR  REVERSIBLE MOTOR	 COIL  SOLENOID  SOLENOID VALVE

Wiring Diagram Symbols

DESCRIPTION AND OPERATION (Continued)

TERMINOLOGY

This a list of terms with there definitions used in the wiring diagrams.

- Built-Up-Export Vehicles Built For Sale In Markets Other Than North America
- Except-Built-Up-Export Vehicles Built For Sale In North America
- LHD Left Hand Drive Vehicles
- RHD Right Hand Drive Vehicles
- ATX Automatic Transmission-Front Wheel Drive
- MTX Manual Transmission-Front Wheel Drive
- AT Automatic Transmission-Rear Wheel Drive
- MT Manual Transmission-Rear Wheel Drive
- SOHC Single Over Head Cam Engine
- DOHC Dual Over Head Cam Engine

CONNECTOR INFORMATION

CAUTION: Not all connectors are serviced. Some connectors are serviced only with a harness. A typical example might be the Supplemental Restraint System connectors. Always check parts availability before attempting a repair.

IDENTIFICATION

In-line connectors are identified by a number, as follows:

- In-line connectors located on the **engine compartment harness** are **C100** series numbers.
- Connectors located on the **instrument panel harness** are **C200** series numbers.
- Connectors located on the **body harness** are **C300** series numbers.
- **Jumper harness connectors** are **C400** series numbers.
- **Grounds and ground connectors** are identified with a "G" and follow the same series numbering as the in-line connector.

Component connectors are identified by the component name instead of a number. Multiple connectors on a component use a C1, C2, etc. identifier.

LOCATIONS

Section 8W-90 contains connector/ground location illustrations. The illustrations contain the connector name (or number)/ground number and component identification. Connector/ground location charts in Section 8W-90 reference the illustration number for components and connectors.

Section 8W-80 shows each connector and the circuits involved with that connector. The connectors are identified using the name/number on the Diagram pages.

SPLICE LOCATIONS

Splice Location charts in Section 8W-70 show the entire splice, and provide references to other sections the splice serves.

Section 8W-95 contains illustrations that show the general location of the splices in each harness. The illustrations show the splice by number, and provide a written location.

NOTES, CAUTIONS, and WARNINGS

Throughout this group additional important information is presented in three ways; Notes, Cautions, and Warnings.

NOTES are used to help describe how switches or components operate to complete a particular circuit. They are also used to indicate different conditions that may appear on the vehicle. For example, an up-to and after condition.

CAUTIONS are used to indicate information that could prevent making an error that may damage the vehicle.

WARNINGS provide information to prevent personal injury and vehicle damage. Below is a list of general warnings that should be followed any time a vehicle is being serviced.

WARNING: ALWAYS WEAR SAFETY GLASSES FOR EYE PROTECTION.

WARNING: USE SAFETY STANDS ANYTIME A PROCEDURE REQUIRES BEING UNDER A VEHICLE.

WARNING: BE SURE THAT THE IGNITION SWITCH ALWAYS IS IN THE OFF POSITION, UNLESS THE PROCEDURE REQUIRES IT TO BE ON.

WARNING: SET THE PARKING BRAKE WHEN WORKING ON ANY VEHICLE. AN AUTOMATIC TRANSMISSION SHOULD BE IN PARK. A MANUAL TRANSMISSION SHOULD BE IN NEUTRAL.

WARNING: OPERATE THE ENGINE ONLY IN A WELL-VENTILATED AREA.

WARNING: KEEP AWAY FROM MOVING PARTS WHEN THE ENGINE IS RUNNING, ESPECIALLY THE FAN AND BELTS.

WARNING: TO PREVENT SERIOUS BURNS, AVOID CONTACT WITH HOT PARTS SUCH AS THE RADIATOR, EXHAUST MANIFOLD(S), TAIL PIPE, CATALYTIC CONVERTER, AND MUFFLER.

DESCRIPTION AND OPERATION (Continued)

WARNING: DO NOT ALLOW FLAME OR SPARKS NEAR THE BATTERY. GASES ARE ALWAYS PRESENT IN AND AROUND THE BATTERY.

WARNING: ALWAYS REMOVE RINGS, WATCHES, LOOSE HANGING JEWELRY, AND LOOSE CLOTHING.

TAKE OUTS

The abbreviation T/O is used in the component location section to indicate a point in which the wiring harness branches out to a component.

ELECTROSTATIC DISCHARGE (ESD) SENSITIVE DEVICES

All ESD sensitive components are solid state and a symbol (Fig. 2) is used to indicate this. When handling any component with this symbol comply with the following procedures to reduce the possibility of electrostatic charge build up on the body and inadvertent discharge into the component. If it is not known whether the part is ESD sensitive, assume that it is.

(1) Always touch a known good ground before handling the part. This should be repeated while handling the part and more frequently after sliding across a seat, sitting down from a standing position, or walking a distance.

(2) Avoid touching electrical terminals of the part, unless instructed to do so by a written procedure.

(3) When using a voltmeter, be sure to connect the ground lead first.

(4) Do not remove the part from its protective packing until it is time to install the part.

(5) Before removing the part from its package, ground the package to a known good ground on the vehicle.



948W-193

Fig. 2 Electrostatic Discharge Symbol

DIAGNOSIS AND TESTING

TROUBLESHOOTING TOOLS

When diagnosing a problem in an electrical circuit there are several common tools necessary. These tools are listed and explained below.

- **Jumper Wire** - This is a test wire used to connect two points of a circuit. It can be used to bypass an open in a circuit.

WARNING: NEVER USE A JUMPER WIRE ACROSS A LOAD, SUCH AS A MOTOR, CONNECTED BETWEEN A BATTERY FEED AND GROUND.

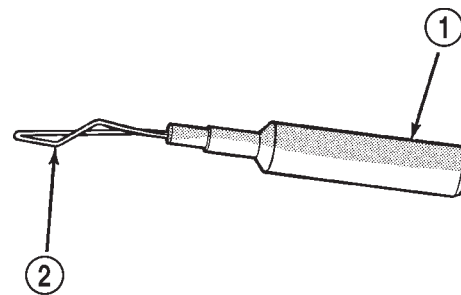
- **Voltmeter** - Used to check for voltage on a circuit. Always connect the black lead to a known good ground and the red lead to the positive side of the circuit.

CAUTION: Most of the electrical components used in today's vehicle are solid state. When checking voltages in these circuits use a meter with a 10-megohm or greater impedance rating.

- **Ohmmeter** - Used to check the resistance between two points of a circuit. Low or no resistance in a circuit means good continuity.

CAUTION: - Most of the electrical components used in today's vehicle are Solid State. When checking resistance in these circuits use a meter with a 10-megohm or greater impedance rating. In addition, make sure the power is disconnected from the circuit. Circuits that are powered up by the vehicle electrical system can cause damage to the equipment and provide false readings.

- **Probing Tools** - These tools are used for probing terminals in connectors (Fig. 3). Select the proper size tool from Special Tool Package 6807, and insert it into the terminal being tested. Use the other end of the tool to insert the meter probe.



948W-233

Fig. 3 Probing Tool

- 1 - SPECIAL TOOL 6801
2 - PROBING END

INTERMITTENT AND POOR CONNECTIONS

Most intermittent electrical problems are caused by faulty electrical connections or wiring. It is also possible for a sticking component or relay to cause a problem. Before condemning a component or wiring assembly check the following items.

DIAGNOSIS AND TESTING (Continued)

- Connectors are fully seated
- Spread terminals, or terminal push out
- Terminals in the wiring assembly are fully seated into the connector/component and locked in position
 - Dirt or corrosion on the terminals. Any amount of corrosion or dirt could cause an intermittent problem
 - Damaged connector/component casing exposing the item to dirt and moisture
 - Wire insulation that has rubbed through causing a short to ground
 - Some or all of the wiring strands broken inside of the insulation covering
 - Wiring broken inside of the insulation.

TROUBLESHOOTING TESTS

Before beginning any tests on a vehicles electrical system use the Wiring Diagrams and study the circuit. Also refer to the Troubleshooting Wiring Problems in this section.

TESTING FOR VOLTAGE POTENTIAL

- (1) Connect the ground lead of a voltmeter to a known good ground (Fig. 4).
- (2) Connect the other lead of the voltmeter to the selected test point. The vehicle ignition may need to be turned ON to check voltage. Refer to the appropriate test procedure.

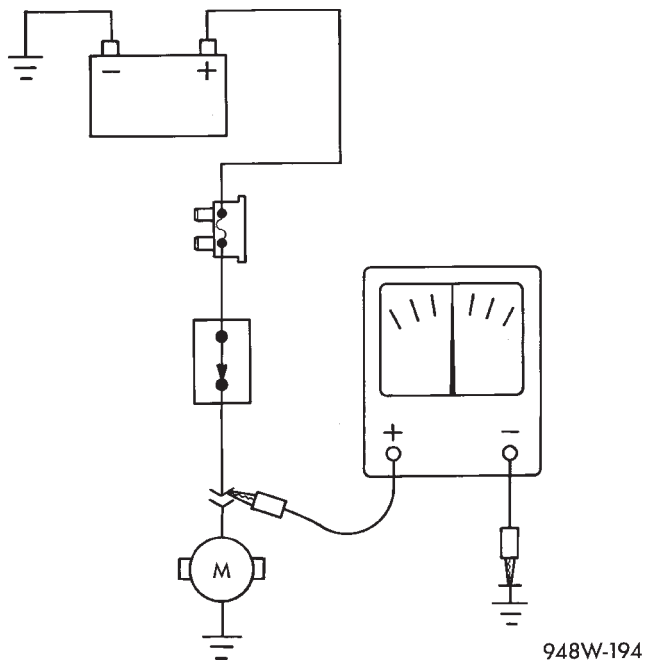


Fig. 4 Testing for Voltage Potential

TESTING FOR CONTINUITY

- (1) Remove the fuse for the circuit being checked or, disconnect the battery.

- (2) Connect one lead of the ohmmeter to one side of the circuit being tested (Fig. 5).
- (3) Connect the other lead to the other end of the circuit being tested. Low or no resistance means good continuity.

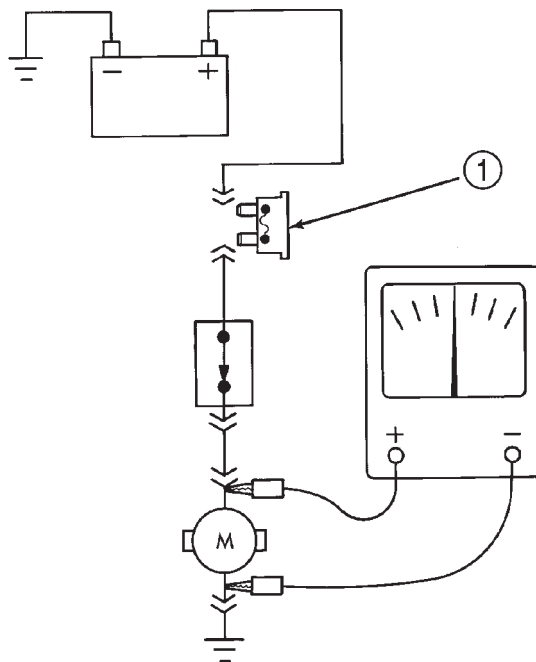


Fig. 5 Testing for Continuity

1 - FUSE REMOVED FROM CIRCUIT

TESTING FOR A SHORT TO GROUND

- (1) Remove the fuse and disconnect all items involved with the fuse.
- (2) Connect a test light or a voltmeter across the terminals of the fuse.
- (3) Starting at the fuse block, wiggle the wiring harness about six to eight inches apart and watch the voltmeter/test lamp.
- (4) If the voltmeter registers voltage or the test lamp glows, there is a short to ground in that general area of the wiring harness.

TESTING FOR A SHORT TO GROUND ON FUSES POWERING SEVERAL LOADS

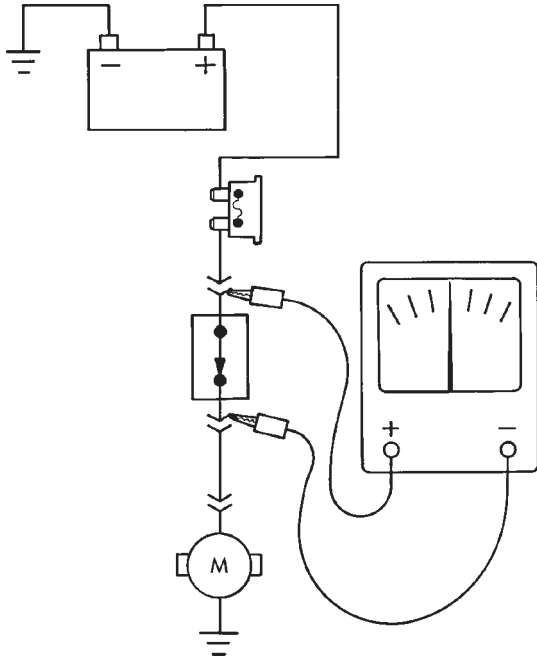
- (1) Refer to the wiring diagrams and disconnect or isolate all items on the suspected fused circuits.
- (2) Replace the blown fuse.
- (3) Supply power to the fuse by turning ON the ignition switch or re-connecting the battery.
- (4) Start connecting the items in the fuse circuit one at a time. When the fuse blows the circuit with the short to ground has been isolated.

TESTING FOR A VOLTAGE DROP

- (1) Connect the positive lead of the voltmeter to the side of the circuit closest to the battery (Fig. 6).

DIAGNOSIS AND TESTING (Continued)

- (2) Connect the other lead of the voltmeter to the other side of the switch or component.
- (3) Operate the item.
- (4) The voltmeter will show the difference in voltage between the two points.



948W-196

Fig. 6 Testing for Voltage Drop

TROUBLESHOOTING WIRING PROBLEMS

When troubleshooting wiring problems there are six steps which can aid in the procedure. The steps are listed and explained below. Always check for non-factory items added to the vehicle before doing any diagnosis. If the vehicle is equipped with these items, disconnect them to verify these add-on items are not the cause of the problem.

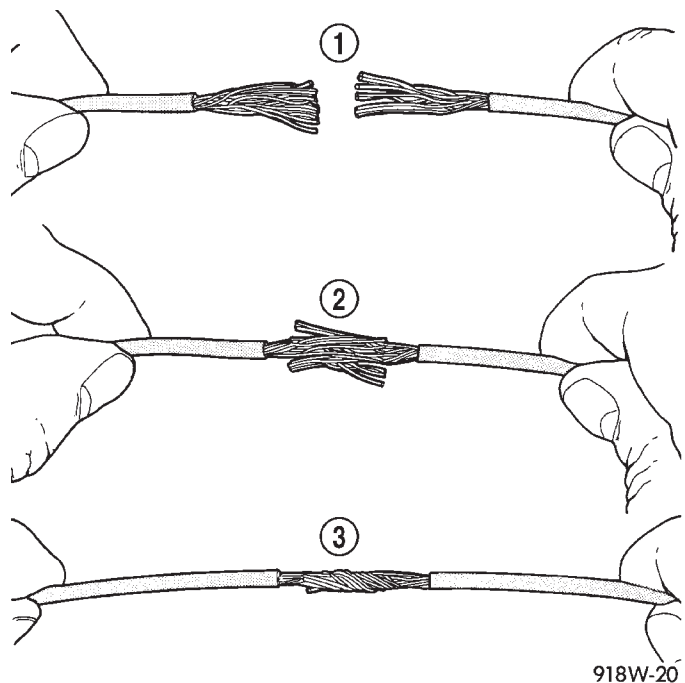
- (1) Verify the problem.
- (2) Verify any related symptoms. Do this by performing operational checks on components that are in the same circuit. Refer to the wiring diagrams.
- (3) Analyze the symptoms. Use the wiring diagrams to determine what the circuit is doing, where the problem most likely is occurring and where the diagnosis will continue.
- (4) Isolate the problem area.
- (5) Repair the problem.
- (6) Verify proper operation. For this step check for proper operation of all items on the repaired circuit. Refer to the wiring diagrams.

SERVICE PROCEDURES

WIRING REPAIR

When replacing or repairing a wire, it is important that the correct gage be used as shown in the wiring diagrams. The wires must also be held securely in place to prevent damage to the insulation.

- (1) Disconnect battery negative cable.
- (2) Remove 1 inch of insulation from each end of the wire.
- (3) Place a piece of heat shrink tubing over one side of the wire. Make sure the tubing will be long enough to cover and seal the entire repair area.
- (4) Spread the strands of the wire apart on each part of the exposed wire (example 1) (Fig. 7).
- (5) Push the two ends of wire together until the strands of wire are close to the insulation (example 2) (Fig. 7).
- (6) Twist the wires together (example 3) (Fig. 7).
- (7) Solder the connection together using rosin core type solder only. **Do not use acid core solder.**
- (8) Center the heat shrink tubing over the joint, and heat using a heat gun. Heat the joint until the tubing is tightly sealed and sealant comes out of both ends of the tubing.
- (9) Secure the wire to the existing ones to prevent chafing or damage to the insulation.
- (10) Connect battery and test all affected systems.



918W-20

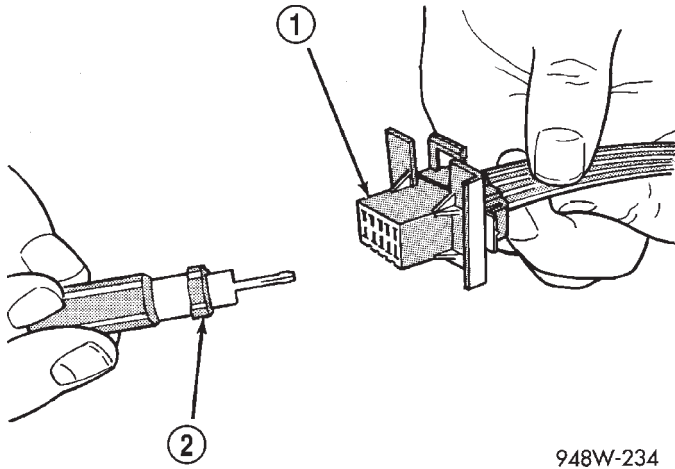
Fig. 7 Wire Repair

- 1 - EXAMPLE 1
- 2 - EXAMPLE 2
- 3 - EXAMPLE 3

SERVICE PROCEDURES (Continued)

TERMINAL/CONNECTOR REPAIR-MOLEX CONNECTORS

- (1) Disconnect battery.
- (2) Disconnect the connector from its mating half/component.
- (3) Insert the terminal releasing special tool 6742 into the terminal end of the connector (Fig. 8).

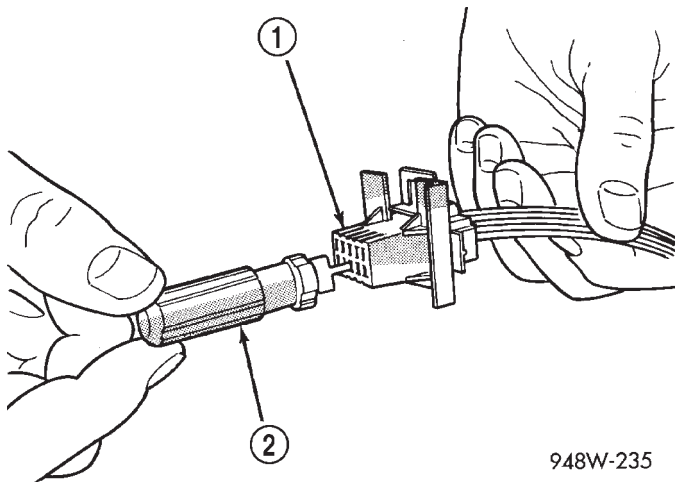


948W-234

Fig. 8 Molex Connector Repair

- 1 - CONNECTOR
2 - SPECIAL TOOL 6742

- (4) Using special tool 6742 release the locking fingers on the terminal (Fig. 9).
- (5) Pull on the wire to remove it from the connector.
- (6) Repair or replace the connector or terminal, as necessary.



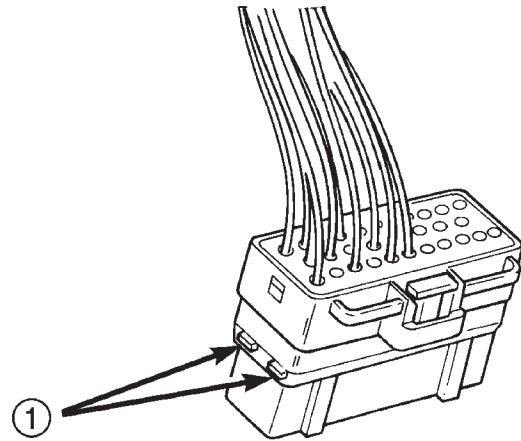
948W-235

Fig. 9 Using Special Tool 6742

- 1 - CONNECTOR
2 - SPECIAL TOOL 6742

TERMINAL/CONNECTOR REPAIR—THOMAS AND BETTS CONNECTORS

- (1) Disconnect battery.
- (2) Disconnect the connector from its mating half/component.
- (3) Push in the two lock tabs on the side of the connector (Fig. 10).

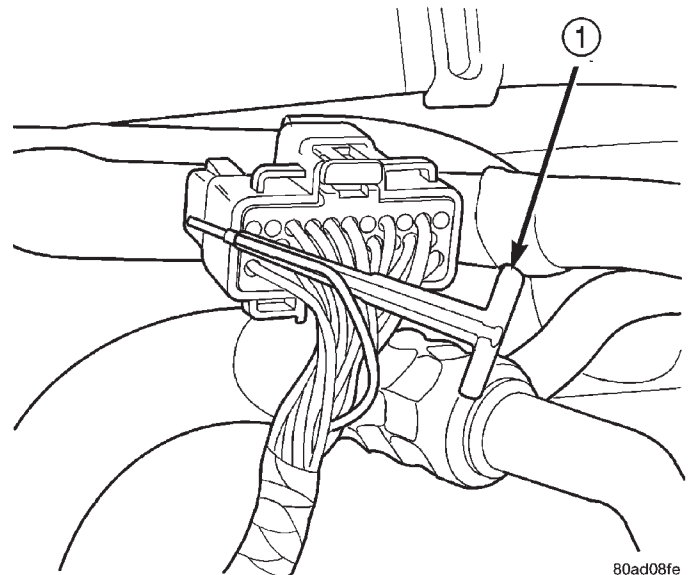


803f588a

Fig. 10 Thomas and Betts Connector Lock Release Tabs

- 1 - LOCK TABS

- (4) Insert the probe end of special tool 6934 into the back of the connector cavity (Fig. 11).
- (5) Grasp the wire and tool 6934 and slowly remove the wire and terminal from the connector.



80ad08fe

Fig. 11 Removing Wire Terminal

- 1 - SPECIAL TOOL 6934

- (6) Repair or replace the terminal.

SERVICE PROCEDURES (Continued)

(7) Install the wire and terminal in the connector.
Fully seat the terminal in the connector.

(8) Push in the single lock tab on the side of the connector (Fig. 12).

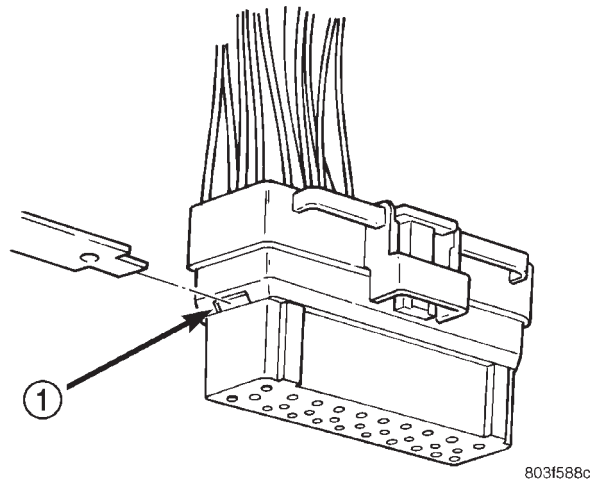


Fig. 12 Single Lock Tab

1 - SINGLE LOCK TAB

TERMINAL/CONNECTOR REPAIR- AUGAT CONNECTORS

- (1) Disconnect battery.
- (2) Disconnect the connector from its mating half/component.
- (3) Push down on the yellow connector locking tab to release the terminals (Fig. 13).

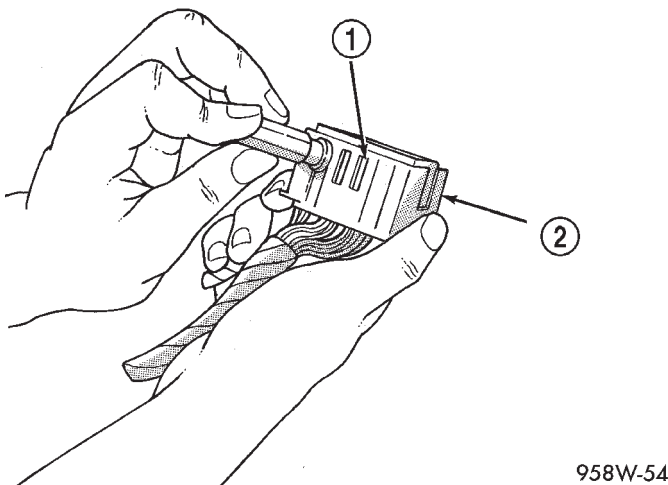


Fig. 13 Augat Connector Repair

1 - LOCKING TAB
2 - CONNECTOR

(4) Using special tool 6932, push the terminal to remove it from the connector (Fig. 14).

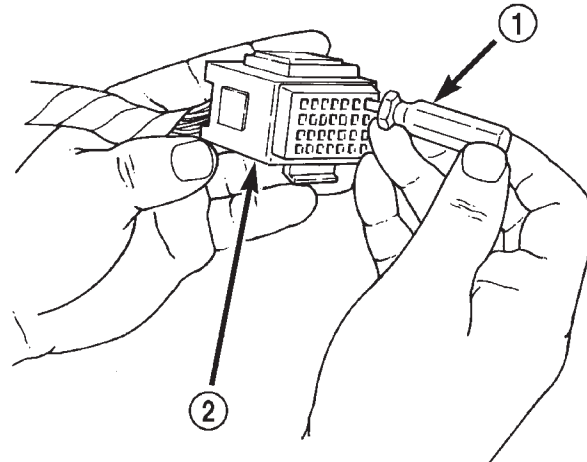


Fig. 14 Using Special Tool 6932

1 - SPECIAL TOOL 6932
2 - CONNECTOR

(5) Repair or replace the connector or terminal as necessary.

(6) When re-assembling the connector, the locking wedge must be placed in the locked position to prevent terminal push out.

CONNECTOR REPLACEMENT

- (1) Disconnect battery.
- (2) Disconnect the connector that is to be repaired from its mating half/component.
- (3) Remove the connector locking wedge, if required (Fig. 15).

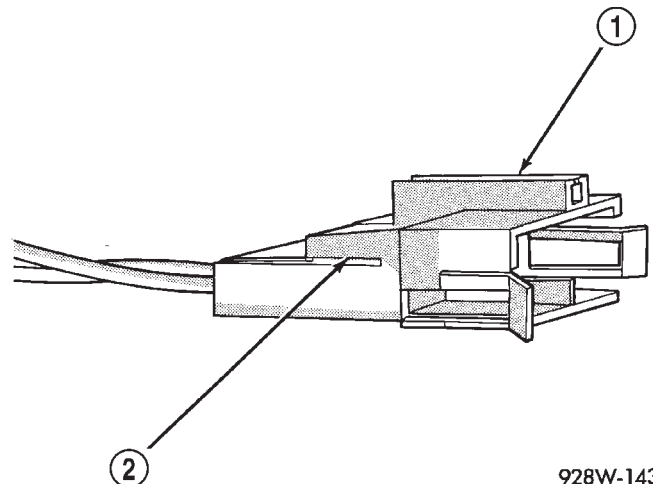


Fig. 15 Connector Locking Wedge

1 - CONNECTOR
2 - CONNECTOR LOCKING WEDGE TAB

(4) Position the connector locking finger away from the terminal using the proper pick from special tool

SERVICE PROCEDURES (Continued)

kit 6680. Pull on the wire to remove the terminal from the connector (Fig. 16) (Fig. 17).

- (5) Reset the terminal locking tang, if it has one.
- (6) Insert the removed wire in the same cavity on the repair connector.
- (7) Repeat steps four through six for each wire in the connector, being sure that all wires are inserted into the proper cavities. For additional connector pin-out identification, refer to the wiring diagrams.
- (8) Insert the connector locking wedge into the repaired connector, if required.
- (9) Connect connector to its mating half/component.
- (10) Connect battery and test all affected systems.

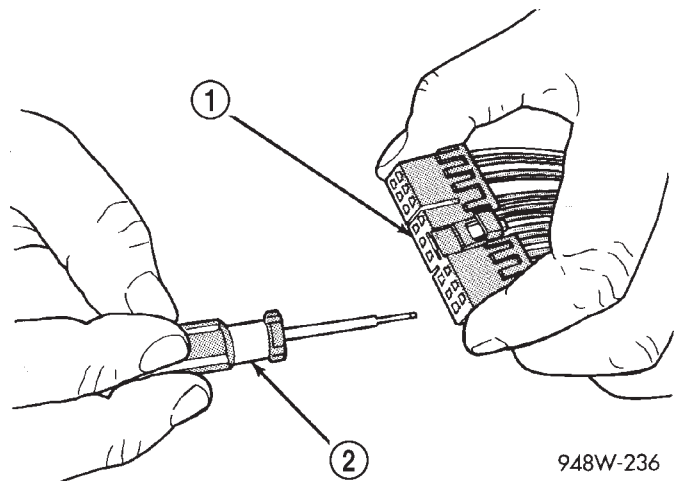


Fig. 16 Terminal Removal

- 1 - CONNECTOR
- 2 - FROM SPECIAL TOOL KIT 6680

CONNECTOR AND TERMINAL REPLACEMENT

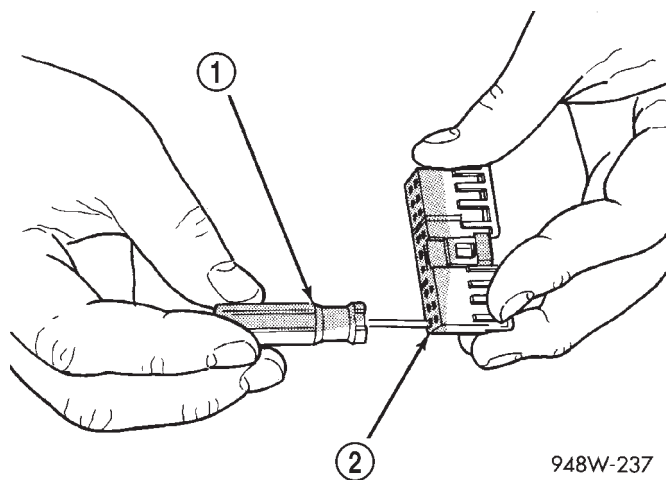
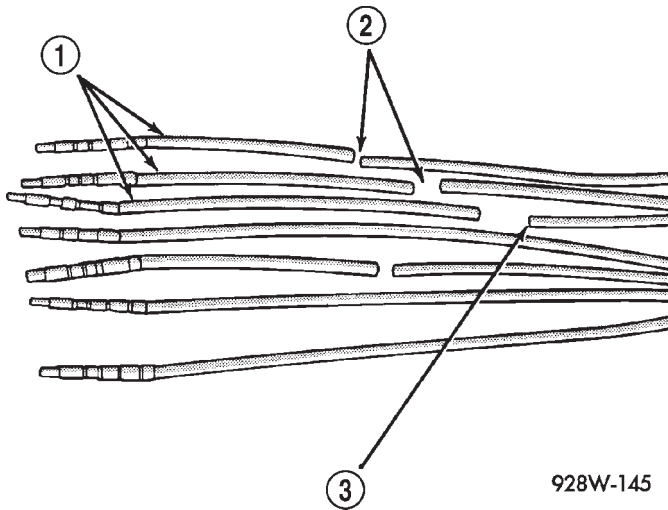


Fig. 17 Terminal Removal Using Special Tool

- 1 - FROM SPECIAL TOOL KIT 6680
- 2 - CONNECTOR

- (1) Disconnect battery.
- (2) Disconnect the connector (that is to be repaired) from its mating half/component.
- (3) Cut off the existing wire connector directly behind the insulator. Remove six inches of tape from the harness.
- (4) Stagger cut all wires on the harness side at 1/2 inch intervals (Fig. 18).
- (5) Remove 1 inch of insulation from each wire on the harness side.
- (6) Stagger cut the matching wires on the repair connector assembly in the opposite order as was done on the harness side of the repair. Allow extra length for soldered connections. Check that the overall length is the same as the original (Fig. 18).
- (7) Remove 1 inch of insulation from each wire.
- (8) Place a piece of heat shrink tubing over one side of the wire. Be sure the tubing will be long enough to cover and seal the entire repair area.
- (9) Spread the strands of the wire apart on each part of the exposed wires.
- (10) Push the two ends of wire together until the strands of wire are close to the insulation.
- (11) Twist the wires together.
- (12) Solder the connection together using rosin core type solder only. **Do not use acid core solder.**
- (13) Center the heat shrink tubing over the joint and heat using a heat gun. Heat the joint until the tubing is tightly sealed and sealant comes out of both ends of the tubing.
- (14) Repeat steps 8 through 13 for each wire.
- (15) Re-tape the wire harness starting 1-1/2 inches behind the connector and 2 inches past the repair.
- (16) Re-connect the repaired connector.

SERVICE PROCEDURES (Continued)



928W-145

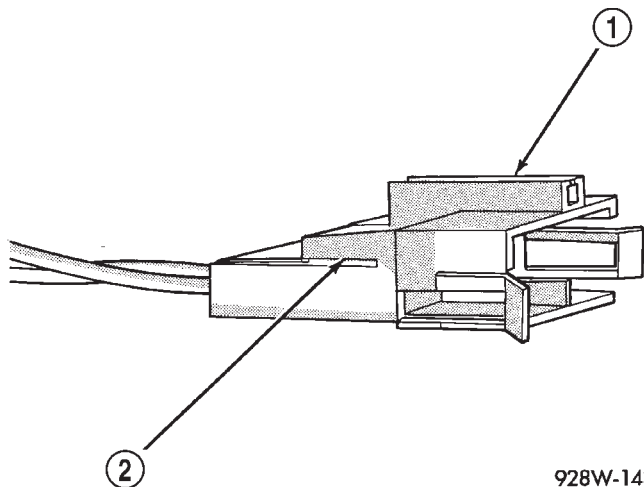
Fig. 18 Stagger Cutting Wires

- 1 - REPAIR SIDE WIRES
- 2 - STAGER CUTS
- 3 - HARNESS WIRES

(17) Connect the battery, and test all affected systems.

TERMINAL REPLACEMENT

- (1) Disconnect battery.
- (2) Disconnect the connector being repaired from its mating half. Remove connector locking wedge, if required (Fig. 19).
- (3) Remove connector locking wedge, if required (Fig. 19).



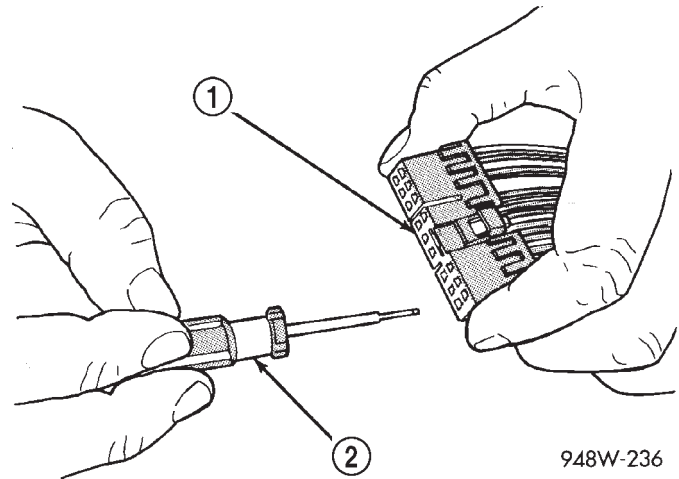
928W-143

Fig. 19 Connector Locking Wedge Tab (Typical)

- 1 - CONNECTOR
- 2 - CONNECTOR LOCKING WEDGE TAB

(4) Position the connector locking finger away from the terminal using the proper pick from special tool

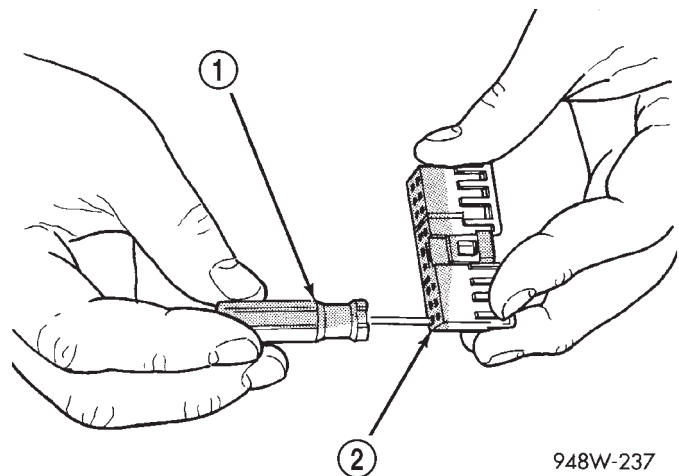
kit 6680. Pull on the wire to remove the terminal from the connector (Fig. 20) (Fig. 21).



948W-236

Fig. 20 Terminal Removal

- 1 - CONNECTOR
- 2 - FROM SPECIAL TOOL KIT 6680



948W-237

Fig. 21 Terminal Removal Using Special Tool

- 1 - FROM SPECIAL TOOL KIT 6680
- 2 - CONNECTOR

(5) Cut the wire 6 inches from the back of the connector.

(6) Remove 1 inch of insulation from the wire on the harness side.

(7) Select a wire from the terminal repair assembly that best matches the color wire being repaired.

(8) Cut the repair wire to the proper length and remove 1 inch of insulation.

(9) Place a piece of heat shrink tubing over one side of the wire. Make sure the tubing will be long enough to cover and seal the entire repair area.

(10) Spread the strands of the wire apart on each part of the exposed wires.

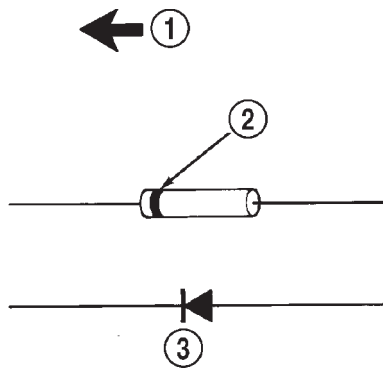
SERVICE PROCEDURES (Continued)

- (11) Push the two ends of wire together until the strands of wire are close to the insulation.
- (12) Twist the wires together.
- (13) Solder the connection together using rosin core type solder only. **Do not use acid core solder.**
- (14) Center the heat shrink tubing over the joint and heat using a heat gun. Heat the joint until the tubing is tightly sealed and sealant comes out of both ends of the tubing.
- (15) Insert the repaired wire into the connector.
- (16) Install the connector locking wedge, if required, and reconnect the connector to its mating half/component.
- (17) Re-tape the wire harness starting 1-1/2 inches behind the connector and 2 inches past the repair.
- (18) Connect battery, and test all affected systems.

- (4) Remove the insulation from the wires in the harness. Only remove enough insulation to solder in the new diode.
- (5) Install the new diode in the harness, making sure current flow is correct. If necessary refer to the appropriate wiring diagram for current flow.
- (6) Solder the connection together using rosin core type solder only. **Do not use acid core solder.**
- (7) Tape the diode to the harness using electrical tape making, sure the diode is completely sealed from the elements.
- (8) Re-connect the battery, and test affected systems.

DIODE REPLACEMENT

- (1) Disconnect the battery.
- (2) Locate the diode in the harness, and remove the protective covering.
- (3) Remove the diode from the harness, pay attention to the current flow direction (Fig. 22).



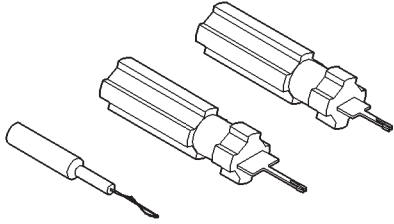
948W-197

Fig. 22 Diode Identification

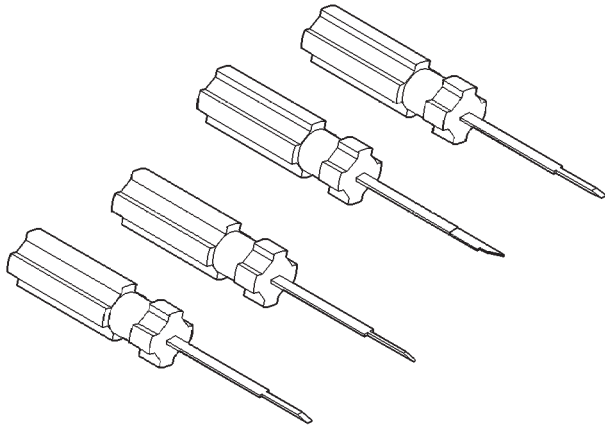
- 1 - CURRENT FLOW
- 2 - BAND AROUND DIODE INDICATES CURRENT FLOW
- 3 - DIODE AS SHOWN IN THE DIAGRAMS

SPECIAL TOOLS

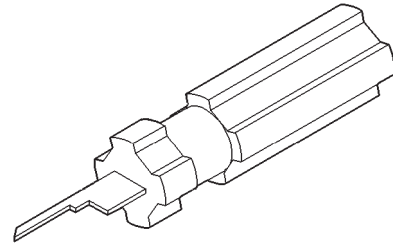
WIRING/TERMINAL



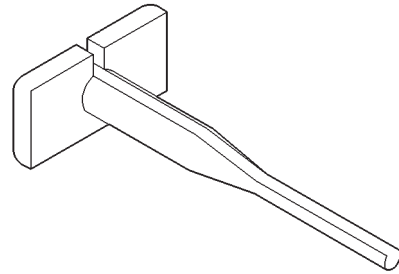
Probing Tool Package 6807



Terminal Pick 6680



Terminal Removing Tool 6932



Terminal Removing Tool 6934

8W-02 COMPONENT INDEX

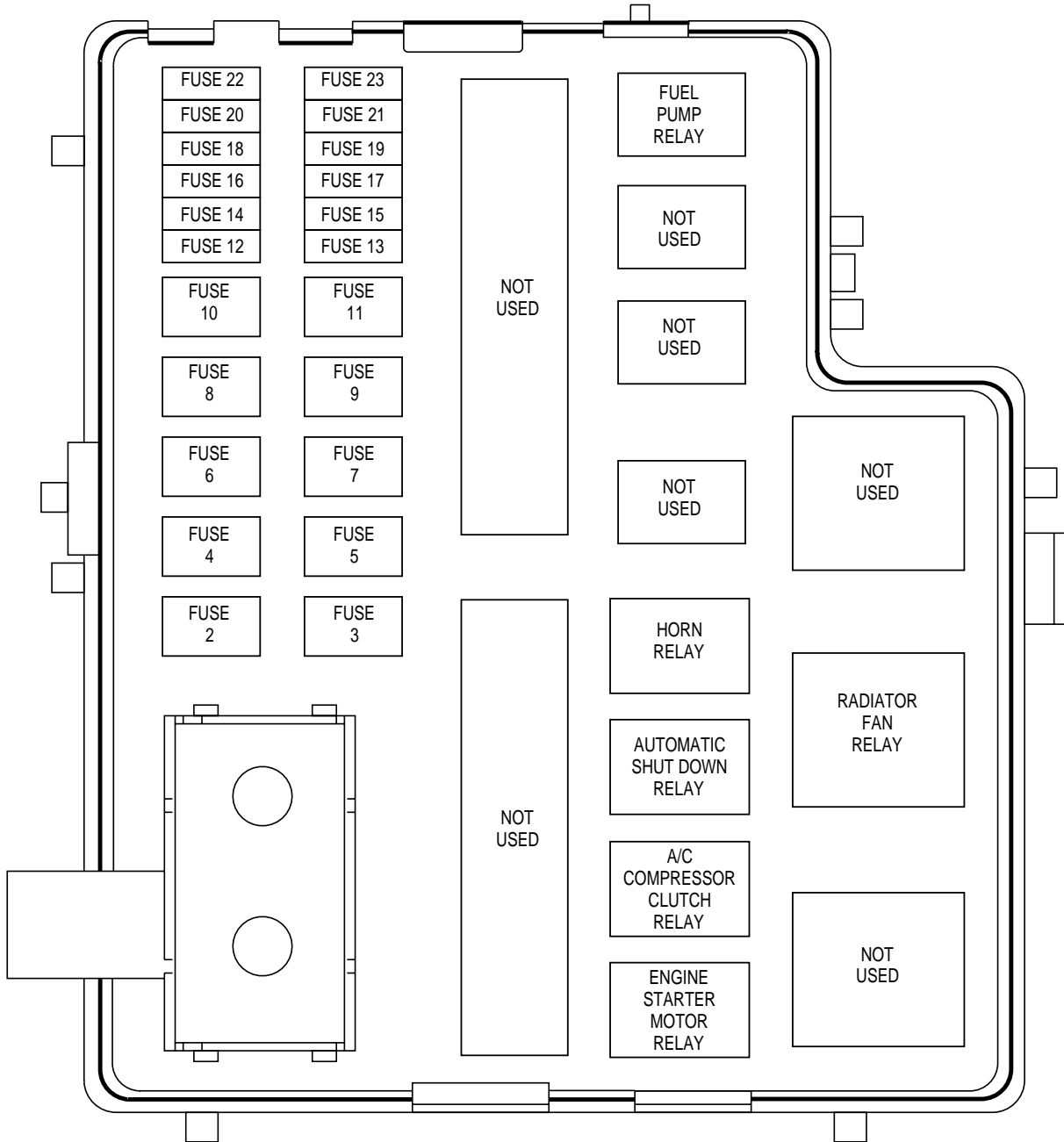
Component	Page	Component	Page
A/C Compressor Clutch Relay	8W-42	Generator	8W-20
A/C Compressor Clutch	8W-42	Glove Box Lamp/Switch	8W-44
A/C Cycling Switch	8W-42	Headlamp Beam Select	8W-40, 50
A/C Heater Blower Motor	8W-42	Headlamp Leveling Motors	8W-50
A/C Heater Control	8W-42	Headlamp Leveling Switch Illumination	8W-50
A/C Pressure Switches	8W-42	Headlamp Leveling Switch	8W-50
Airbag Control Module	8W-43	Headlamp Switch	8W-50, 51
Airbags	8W-43	Headlamps	8W-50
Antenna	8W-47	Horns	8W-41
Automatic Shut Down Relay	8W-30	Horn Relay	8W-41
Back-Up Lamp Switch	8W-51	Horn Switch	8W-41
Back-Up Lamps	8W-51	Hood Ajar Switch	8W-39
Battery	8W-20	Idle Air Control Motor	8W-30
Blower Motor Resistor Block	8W-42	Ignition Coil	8W-30
Brake Lamp Switch	8W-30	Ignition Switch	8W-10
Brake Shift Interlock Solenoid	8W-30	Indicators	8W-40
Brake Warning Indicator Switch	8W-40	Indicator Drivers	8W-40
Camshaft Position Sensor	8W-30	Inlet Air Temperature Sensor	8W-30
Cargo Lamp	8W-44	Instrument Cluster	8W-40
Center High Mounted Stop Lamp	8W-51	Instrument Panel Drivers	8W-40
Center Stack Lamp	8W-44	Knock Sensor	8W-30
Cigar Lighter/Power Outlet	8W-41	Leak Detection Pump	8W-30
Circuit Breakers (FB)	8W-11	License Lamps	8W-51
City Lamps	8W-50	Manifold Absolute Pressure Sensor	8W-30
Clockspring	8W-33, 41, 43	Map/Reading Lamps	8W-44
Clutch Interlock Switch	8W-30	Multi- Function Switch	8W-40, 50, 51, 52
Combination Flasher	8W-52	Noise Suppressor	8W-30
Controller Anti-Lock Brake	8W-35	Oxygen Sensors	8W-30
Crankshaft Position Sensor	8W-30	Park Brake Switch	8W-40
Data Link Connector	8W-30	Park/Neutral Position Switch	8W-51
Decklid Release Switch	8W-44	Park/Turn Signal Lamps	8W-52
Decklid Solenoid	8W-61	Power Distribution Center	8W-10
Diode No. 1	8W-42	Power Mirror Switch	8W-62
Dome Lamp	8W-44	Power Steering Pressure Switch	8W-30
Dome Lamp/Intrusion Sensor	8W-44	Powertrain Control Module	8W-30
Door Ajar Switches	8W-40	PRNDL Lamp	8W-44
Door Lock Motors	8W-61	Proportional Evap/Purge Solenoid	8W-30
Engine Coolant Temperature Sensor	8W-30	Radiator Fan Motor	8W-42
Engine Oil Pressure Switch	8W-30	Radiator Fan Relay	8W-42
Engine Starter Motor Relay	8W-21	Radio	8W-47
Engine Starter Motor	8W-21	Rear Window Defogger Switch	8W-48
Fog Lamps	8W-50, 51	Rear Window Defogger	8W-48
Front Fog Lamp Switch	8W-50	Remote Keyless Entry Module	8W-39
Fuel Injectors	8W-30	Repeater Lamps	8W-52
Fuel Pump Module	8W-30	Seat Belt Switch	8W-40
Fuel Pump Relay	8W-30	Sentry Key Immobilizer Module	8W-39
Fuel Tank	8W-30	Side Marker Lamps	8W-50
Fuses (FB)	8W-11	Siren	8W-39
Fuses (PDC)	8W-10	Speakers	8W-47
Fuse Block	8W-11	Splice Information	8W-70
Fusible Link A11	8W-20, 21	Sunroof Control Module	8W-64
Grounds	8W-15	Sunroof Motor	8W-64

Component	Page	Component	Page
Sunroof Switch	8W-64	Vehicle Speed Control Servo	8W-33
Sunroof Vent Switch	8W-64	Vehicle Speed Control Switch	8W-33
Tail/Stop Lamps	8W-51	Vehicle Speed Sensor	8W-30
Tail/Stop/Turn Signal Lamps	8W-51, 52	Visor/Vanity Lamps	8W-44
Throttle Position Sensor	8W-30	Wheel Speed Sensors	8W-35
Torque Converter Clutch Solenoid	8W-30	Windshield Washer Pump	8W-53
Traction Control Switch	8W-35	Wipe/Wash Switch	8W-53
Trunk Key Cylinder Switch	8W-61	Wiper Motor	8W-53
Turn Signal Lamps	8W-52		
Underhood Lamp	8W-44		

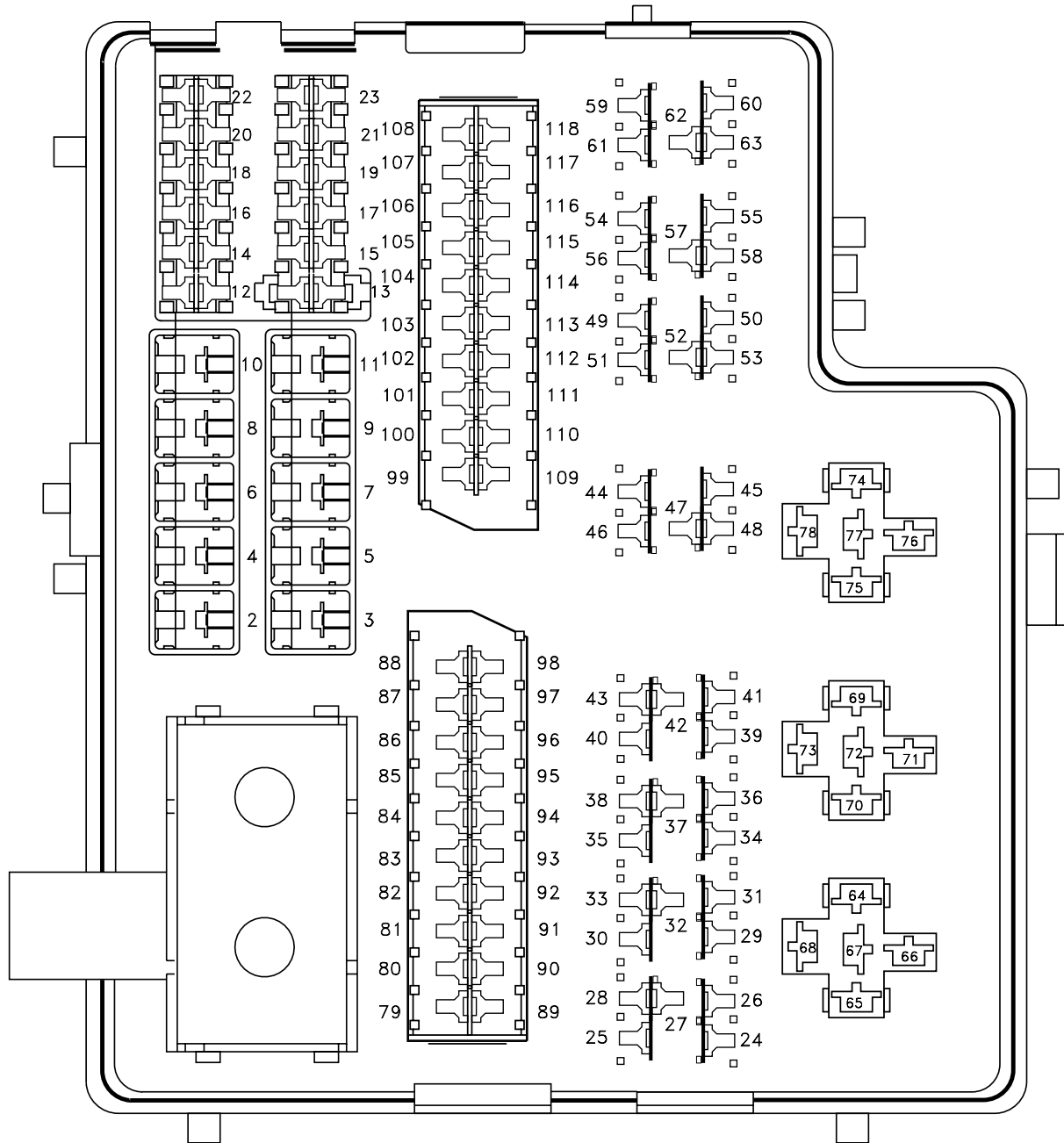
8W-10 POWER DISTRIBUTION

Component	Page	Component	Page
A/C Compressor Clutch Relay	8W-10-7, 16	Fuse 18 (PDC)	8W-10-7, 13
Automatic Shut Down Relay	8W-10-16	Fuse 20 (FB)	8W-10-11
Battery	8W-10-7	Fuse 20 (PDC)	8W-10-7, 14
Brake Lamp Switch	8W-10-7, 18	Fuse 21 (PDC)	8W-10-7, 16
Cargo Lamp	8W-10-12	Fuse 22 (PDC)	8W-10-7, 16
Center High Mounted Stop Lamp	8W-10-18	Fuse 23 (PDC)	8W-10-7, 18
Cigar Lighter/Power Outlet	8W-10-8	Fuse Block	8W-10-9, 10, 11
Circuit Breaker No. 1 (FB)	8W-10-9	Generator	8W-10-17
Circuit Breaker No. 2 (FB)	8W-10-9	Glove Box Lamp/Switch	8W-10-12
Combination Flasher	8W-10-13	Headlamp Switch	8W-10-14
Controller Anti-Lock Brake	8W-10-7, 11, 18	High Note Horn	8W-10-13
Data Link Connector	8W-10-16	Horn Relay	8W-10-7, 13
Dome Lamp	8W-10-12	Ignition Coil	8W-10-17
Dome Lamp/Intrusion Sensor	8W-10-12	Ignition Switch	8W-10-7, 8, 9, 10
Engine Starter Motor	8W-10-8	Instrument Cluster	8W-10-8, 12, 14
Engine Starter Motor Relay	8W-10-7, 8, 10	Instrument Panel Drivers	8W-10-14
Front Fog Lamp Switch	8W-10-14	Left Front Fog Lamp	8W-10-14, 15
Fuel Injector No. 1	8W-10-17	Left Tail/Stop Lamp	8W-10-18
Fuel Injector No. 2	8W-10-17	Left Tail/Stop/Turn Signal Lamp	8W-10-19
Fuel Injector No. 3	8W-10-17	Left Visor/Vanity Lamp	8W-10-12
Fuel Injector No. 4	8W-10-17	Low Note Horn	8W-10-13
Fuel Pump Module	8W-10-16	Map/Reading Lamps	8W-10-12
Fuel Pump Relay	8W-10-16	Multi-Function Switch	8W-10-7, 13, 14, 15, 19
Fuse 1 (FB)	8W-10-10	Noise Suppressor	8W-10-17
Fuse 2 (FB)	8W-10-10	Oxygen Sensor 1/1 Upstream	8W-10-17
Fuse 5 (PDC)	8W-10-7	Oxygen Sensor 1/2 Downstream	8W-10-17
Fuse 6 (FB)	8W-10-9	Power Distribution Center	8W-10-2, 3, 4, 7, 8, 9, 11, 12, 13, 14, 16, 18
Fuse 6 (PDC)	8W-10-7, 11	Powertrain Control Module	8W-10-16, 17
Fuse 7 (FB)	8W-10-9	Radiator Fan Motor	8W-10-11
Fuse 8 (FB)	8W-10-9	Radiator Fan Relay	8W-10-7, 11
Fuse 8 (PDC)	8W-10-7, 11	Radio	8W-10-12
Fuse 9 (FB)	8W-10-10	Rear Window Defogger	8W-10-11
Fuse 9 (PDC)	8W-10-7, 8	Rear Window Defogger Switch	8W-10-11
Fuse 10 (FB)	8W-10-10	Remote Keyless Entry Module	8W-10-12
Fuse 10 (PDC)	8W-10-7, 11	Right Front Fog Lamp	8W-10-15
Fuse 11 (FB)	8W-10-10	Right Rear Fog Lamp	8W-10-14
Fuse 12 (FB)	8W-10-10	Right Tail/Stop Lamp	8W-10-18
Fuse 13 (PDC)	8W-10-7, 12	Right Tail/Stop/Turn Signal Lamp	8W-10-19
Fuse 14 (FB)	8W-10-9	Right Visor/Vanity Lamp	8W-10-12
Fuse 14 (PDC)	8W-10-7, 8	Sentry Key Immobilizer Module	8W-10-12
Fuse 15 (FB)	8W-10-9	Siren	8W-10-12
Fuse 15 (PDC)	8W-10-7, 13	Underhood Lamp	8W-10-12
Fuse 16 (FB)	8W-10-9		

POWER DISTRIBUTION CENTER



POWER DISTRIBUTION CENTER



FUSES

FUSE NO.	AMPS	FUSED CIRCUIT	FEED CIRCUIT
1	-	-	-
2	-	-	-
3	40A	A3 12RD/WT	A0 8RD
4	40A	A2 12PK/BK	A0 8RD
5	30A	A20 12RD/DB	A0 8RD
6	30A	A16 14GY	A0 8RD
7	-	-	-
8	40A	A10 12RD/DG	A0 8RD
9	30A	A1 14RD	A0 8RD
10	40A	A4 10BK/RD	A0 8RD
11	-	-	-
12	-	-	-
13	15A	M1 20PK	A0 8RD
14	20A	F1 16DB	A0 8RD
15	15A	A15 18WT	A0 8RD
16	-	-	-
17	-	-	-
18	15A	F62 18RD	A0 8RD
		F62 18RD	A0 8RD
19	-	-	-
20	25A	F61 16WT/OR	A0 8RD
21	20A	A14 14RD/WT	A0 8RD
22	20A	A17 20RD/BK	A0 8RD
23	15A	F32 18PK/DB	A0 8RD

**A/C
COMPRESSOR
CLUTCH
RELAY**

CAVITY	CIRCUIT	FUNCTION
29	C28 18DB/OR	A/C COMPRESSOR CLUTCH RELAY CONTROL
30	A17 20RD/BK	FUSED B(+)
31	C3 20DB/BK	A/C COMPRESSOR CLUTCH RELAY OUTPUT
32	-	-
33	F12 18DB/WT	FUSED IGNITION SWITCH OUTPUT (ST-RUN)

**AUTOMATIC
SHUT
DOWN
RELAY**

CAVITY	CIRCUIT	FUNCTION
34	A14 18RD/WT	FUSED B(+)
35	A14 18RD/WT	FUSED B(+)
36	A142 18DG/OR	AUTOMATIC SHUT DOWN RELAY OUTPUT
37	-	-
38	K51 18DB/YL	AUTOMATIC SHUT DOWN RELAY CONTROL

**ENGINE
STARTER
MOTOR
RELAY**

CAVITY	CIRCUIT	FUNCTION
24	A41 14YL	IGNITION SWITCH OUTPUT (START)
25	A1 14RD	FUSED B(+)
26	T40 14BR	ENGINE STARTER MOTOR RELAY OUTPUT
27	-	-
28	K90 20TN	ENGINE STARTER MOTOR RELAY CONTROL

**FUEL
PUMP
RELAY**

CAVITY	CIRCUIT	FUNCTION
59	F12 18DB/WT	FUSED IGNITION SWITCH OUTPUT (ST-RUN)
60	A14 18RD/WT	FUSED B(+)
61	A141 18DG/WT	FUEL PUMP RELAY OUTPUT
62	-	-
63	K31 18BR	FUEL PUMP RELAY CONTROL

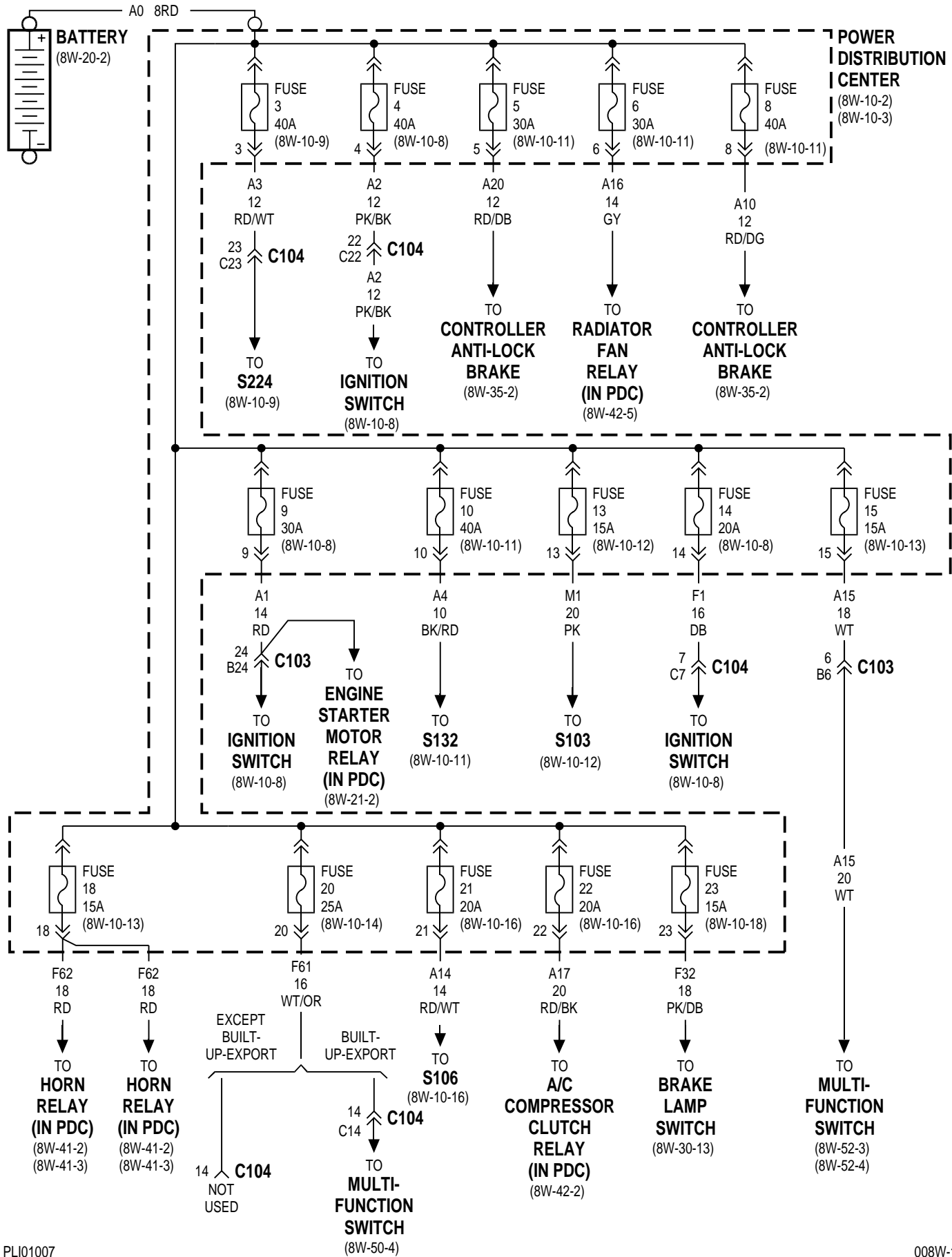
**HORN
RELAY**

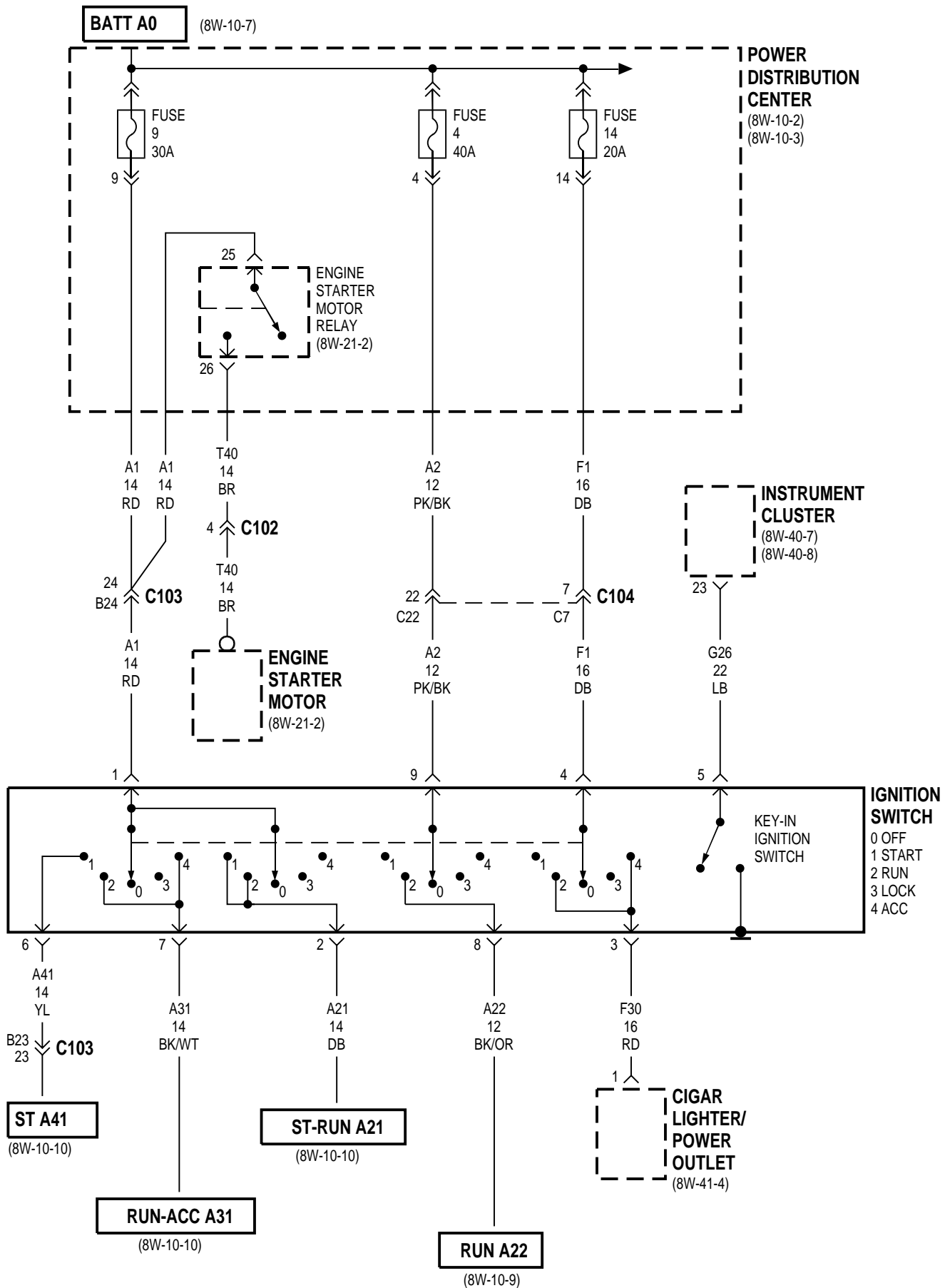
CAVITY	CIRCUIT	FUNCTION
39	F62 18RD	FUSED B(+)
40	F62 18RD	FUSED B(+)
41	X2 18DG/RD	HORN RELAY OUTPUT
	X2 18DG/RD •	HORN RELAY OUTPUT
42	-	-
43	X3 20BK/RD	HORN RELAY CONTROL

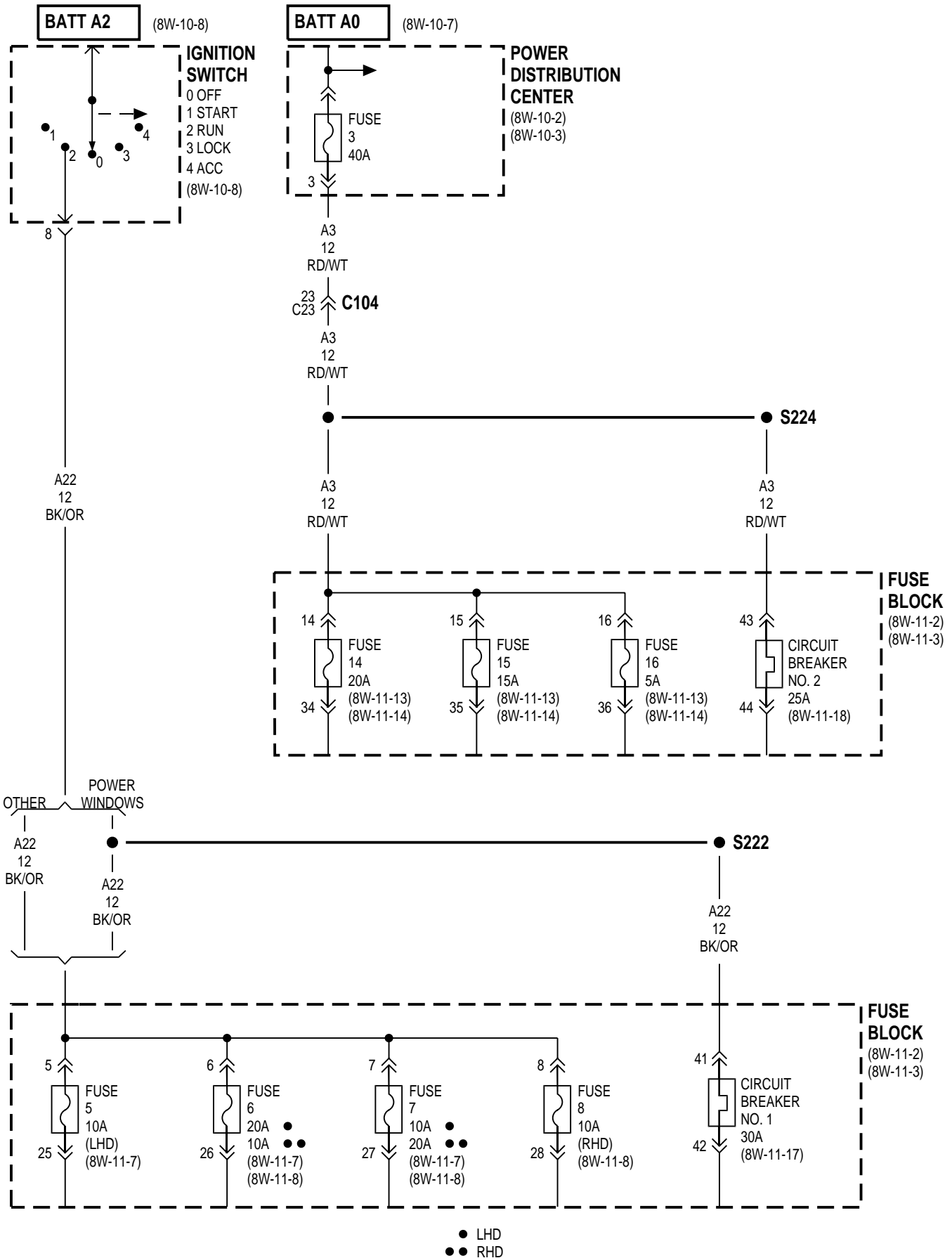
**RADIATOR
FAN
RELAY**

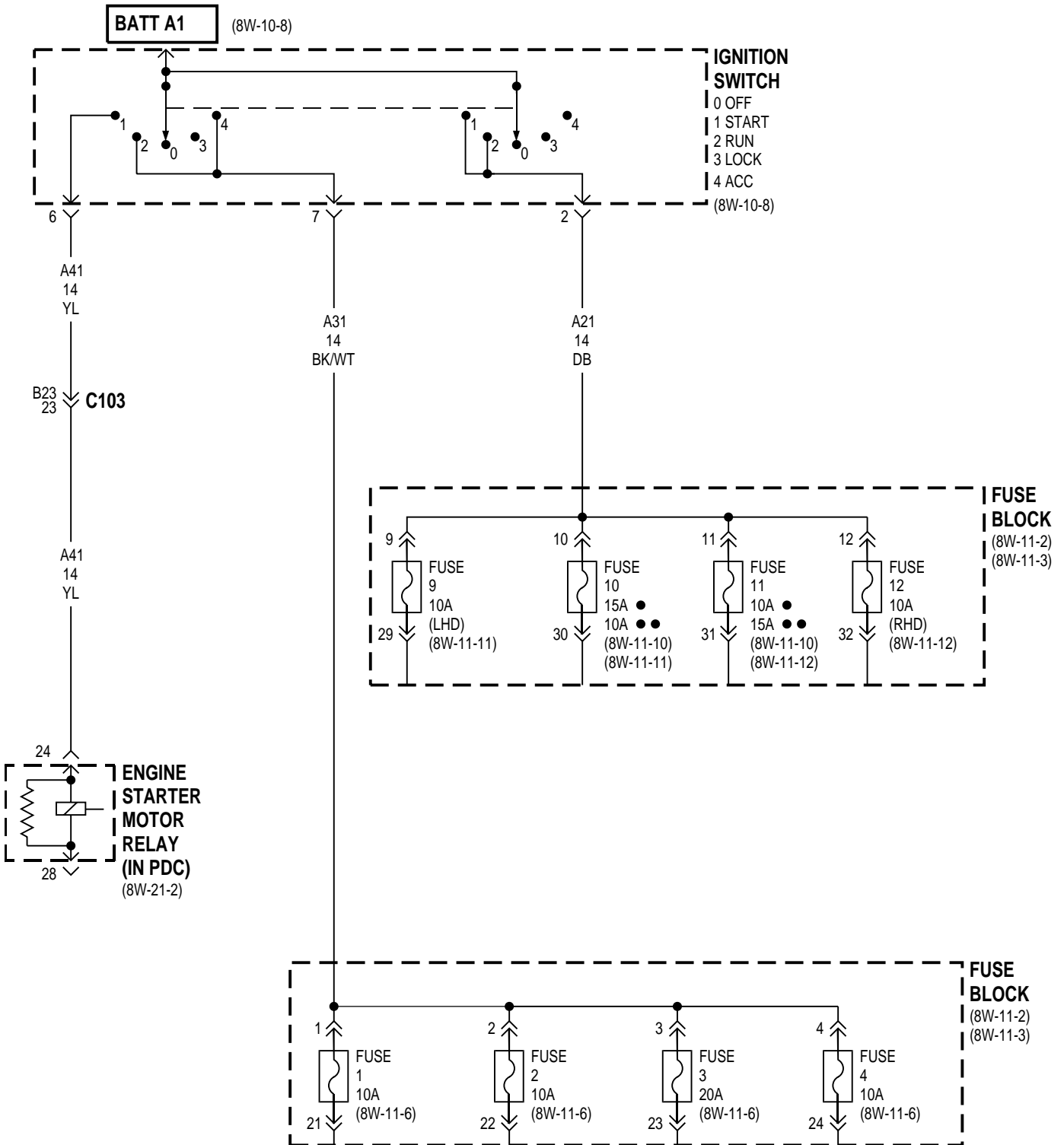
CAVITY	CIRCUIT	FUNCTION
69	F12 18DB/WT	FUSED IGNITION SWITCH OUTPUT (ST-RUN)
70	C27 18DB/PK	RADIATOR FAN RELAY CONTROL
71	C25 12LG	RADIATOR FAN RELAY OUTPUT
72	-	-
73	A16 14GY	FUSED B(+)

• DUAL HORNS

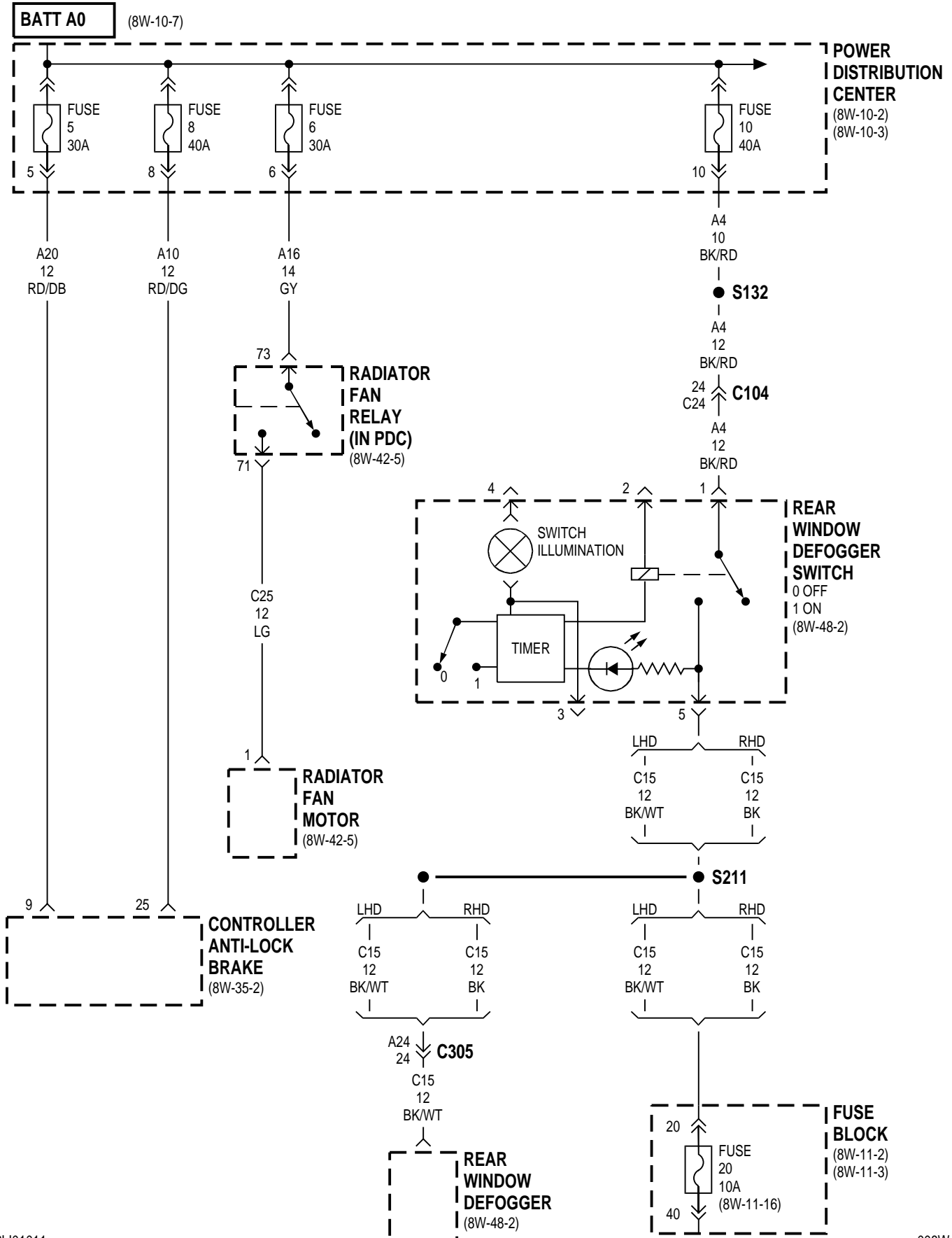


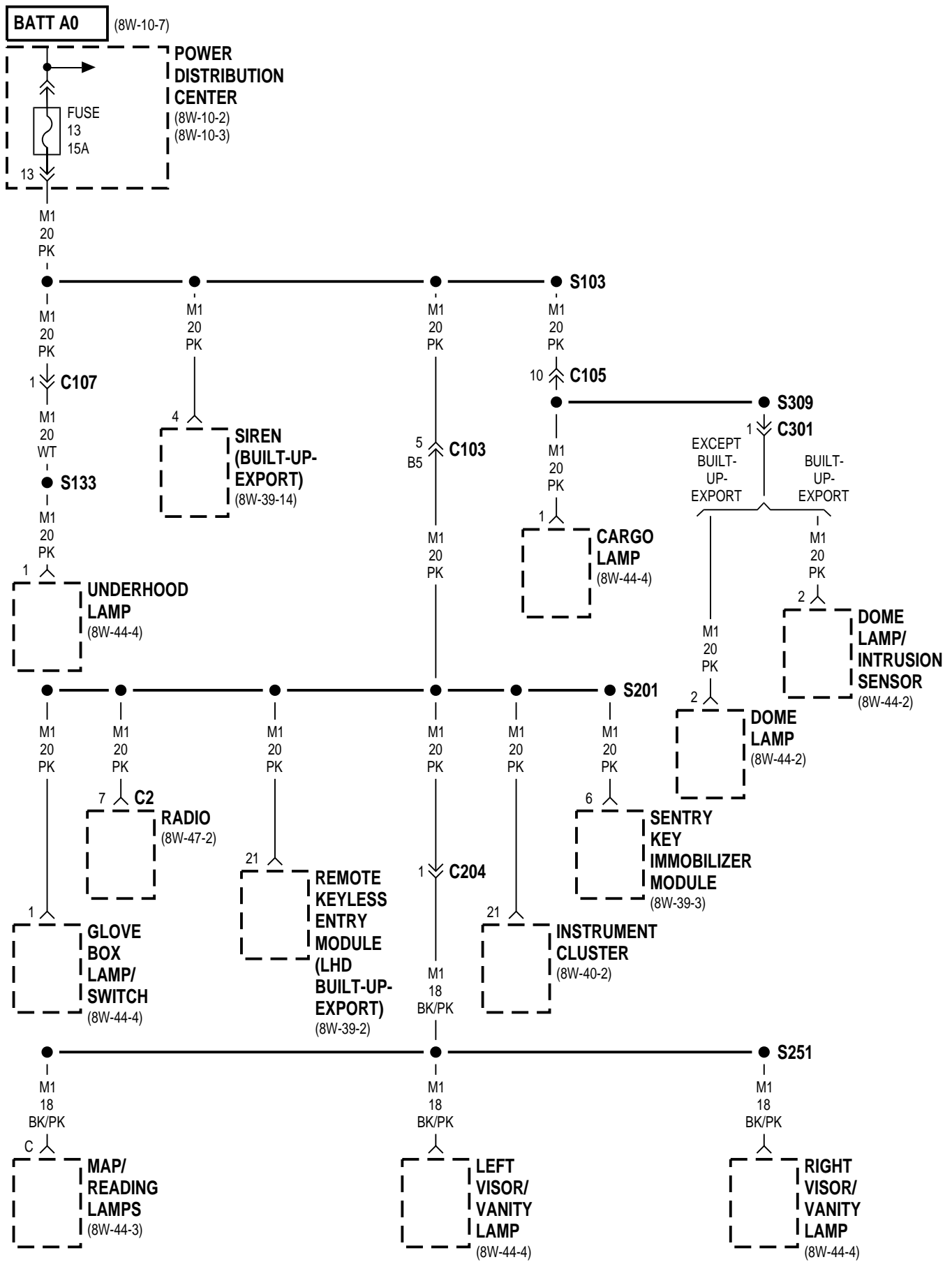


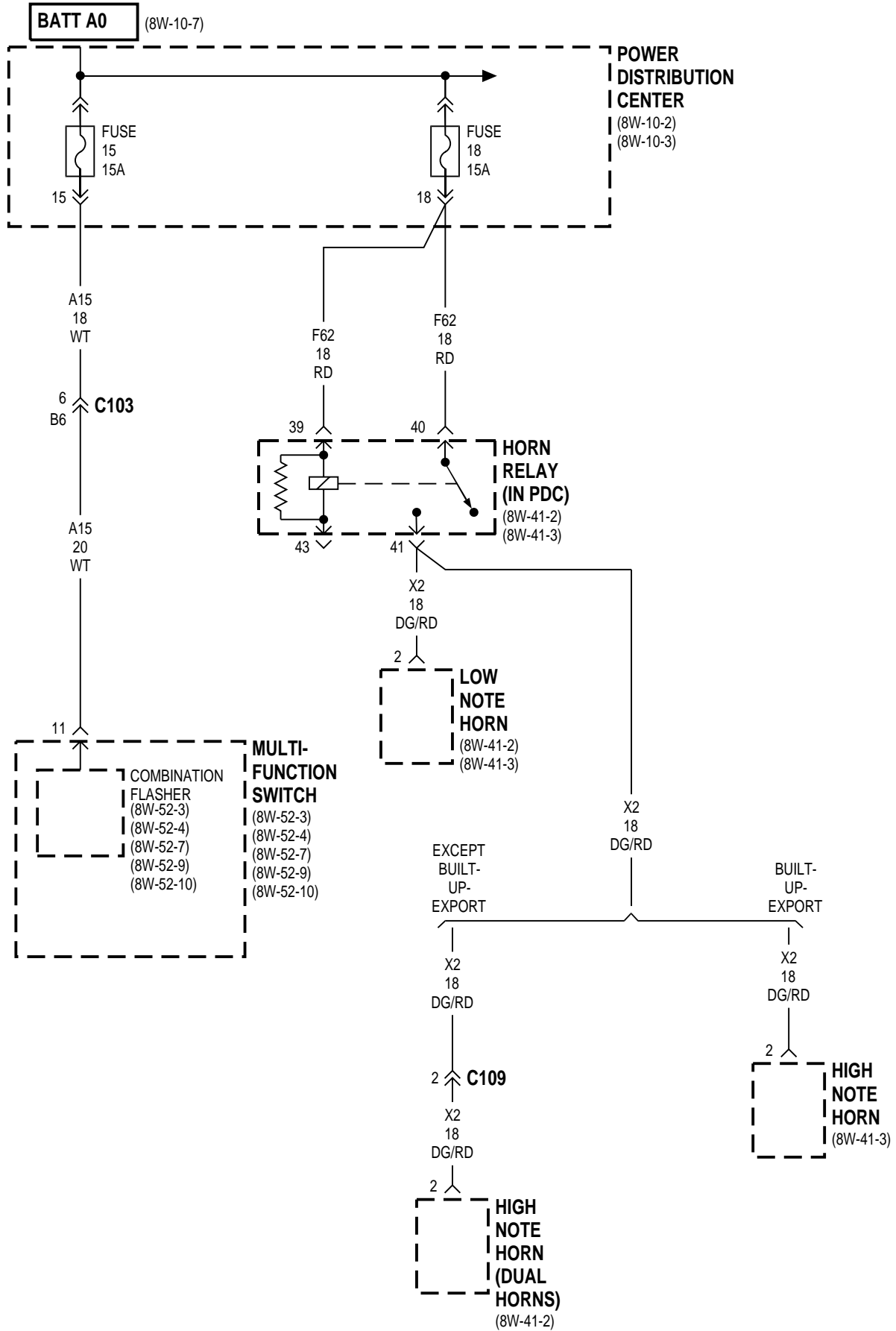


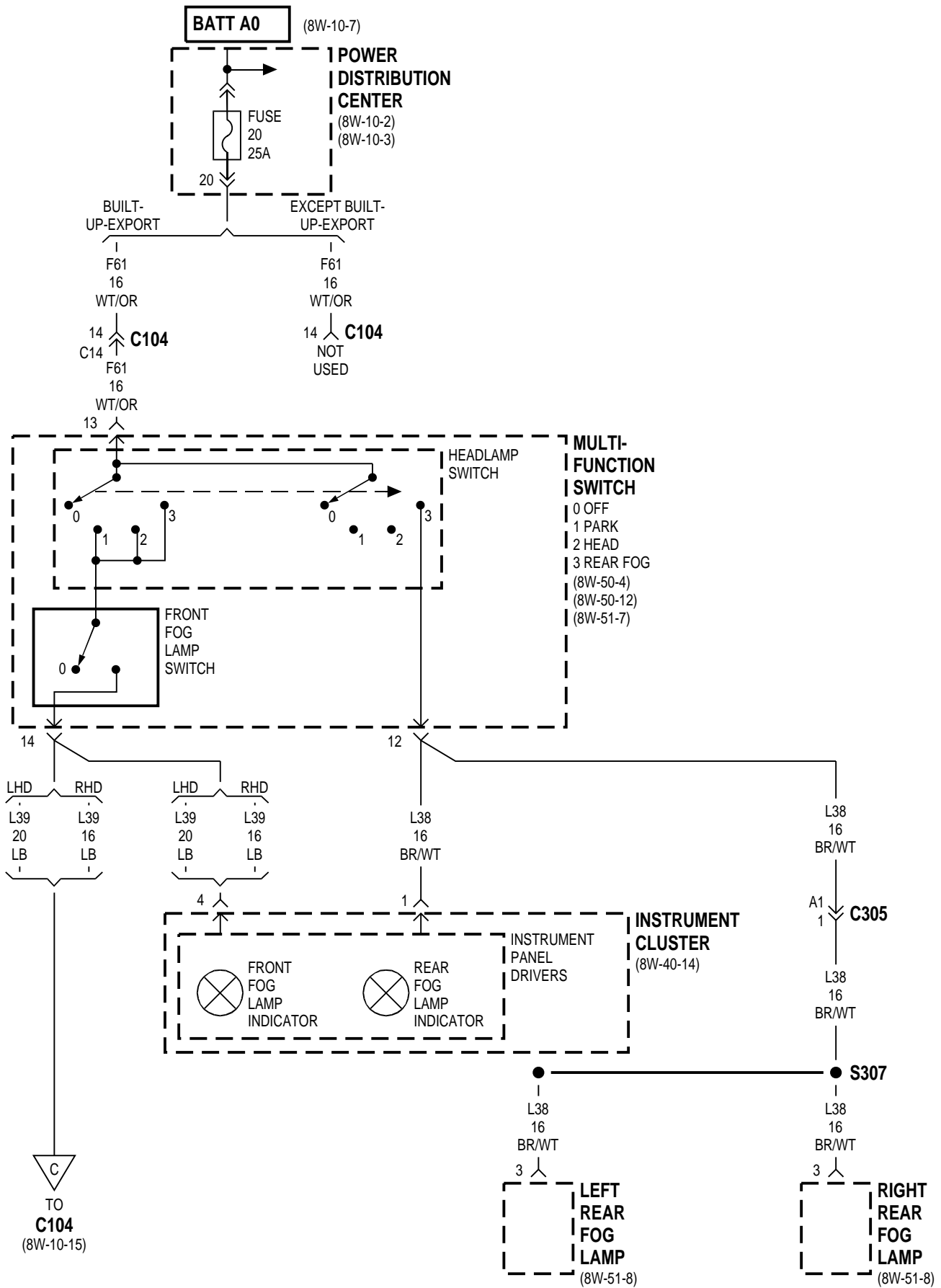


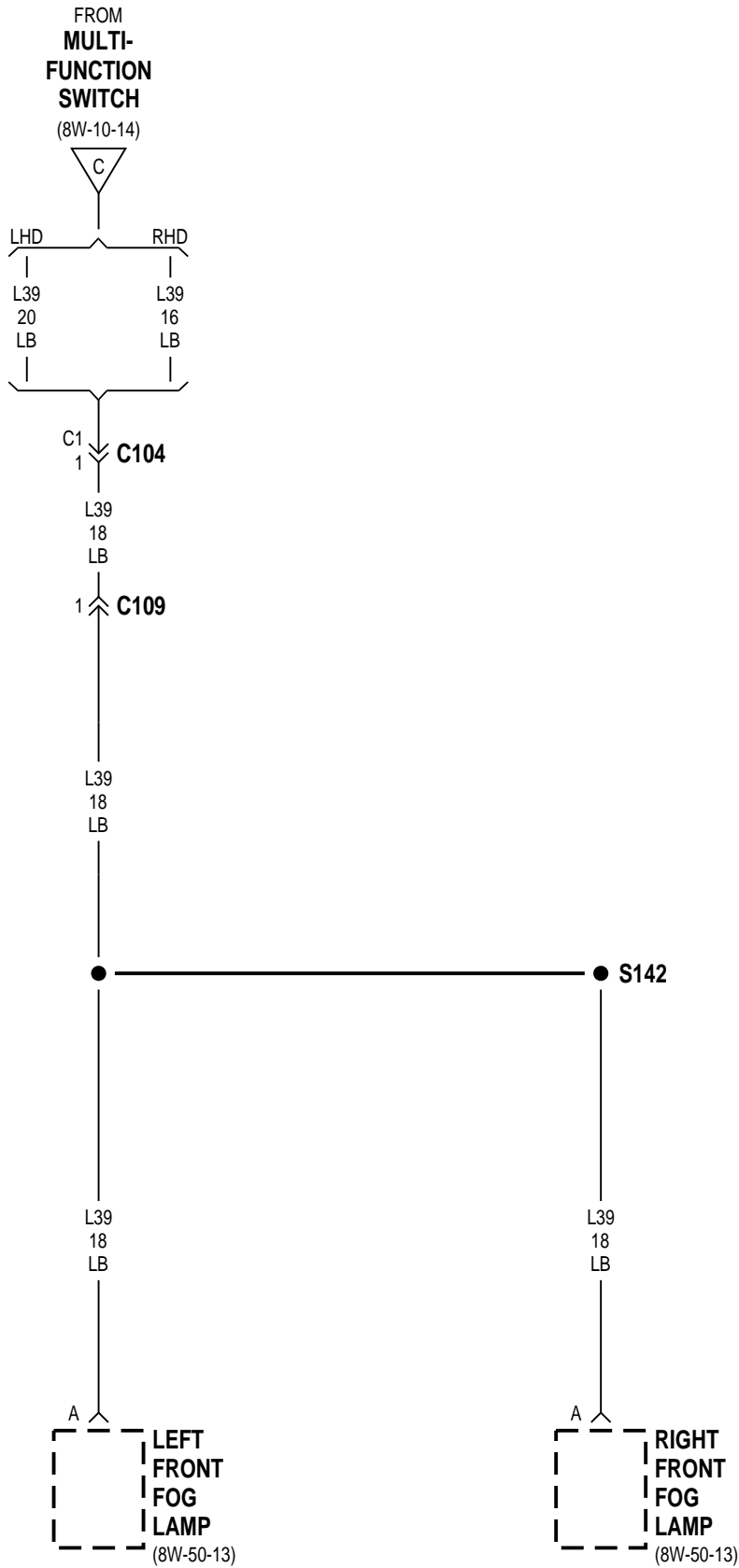
● LHD
 ●● RHD

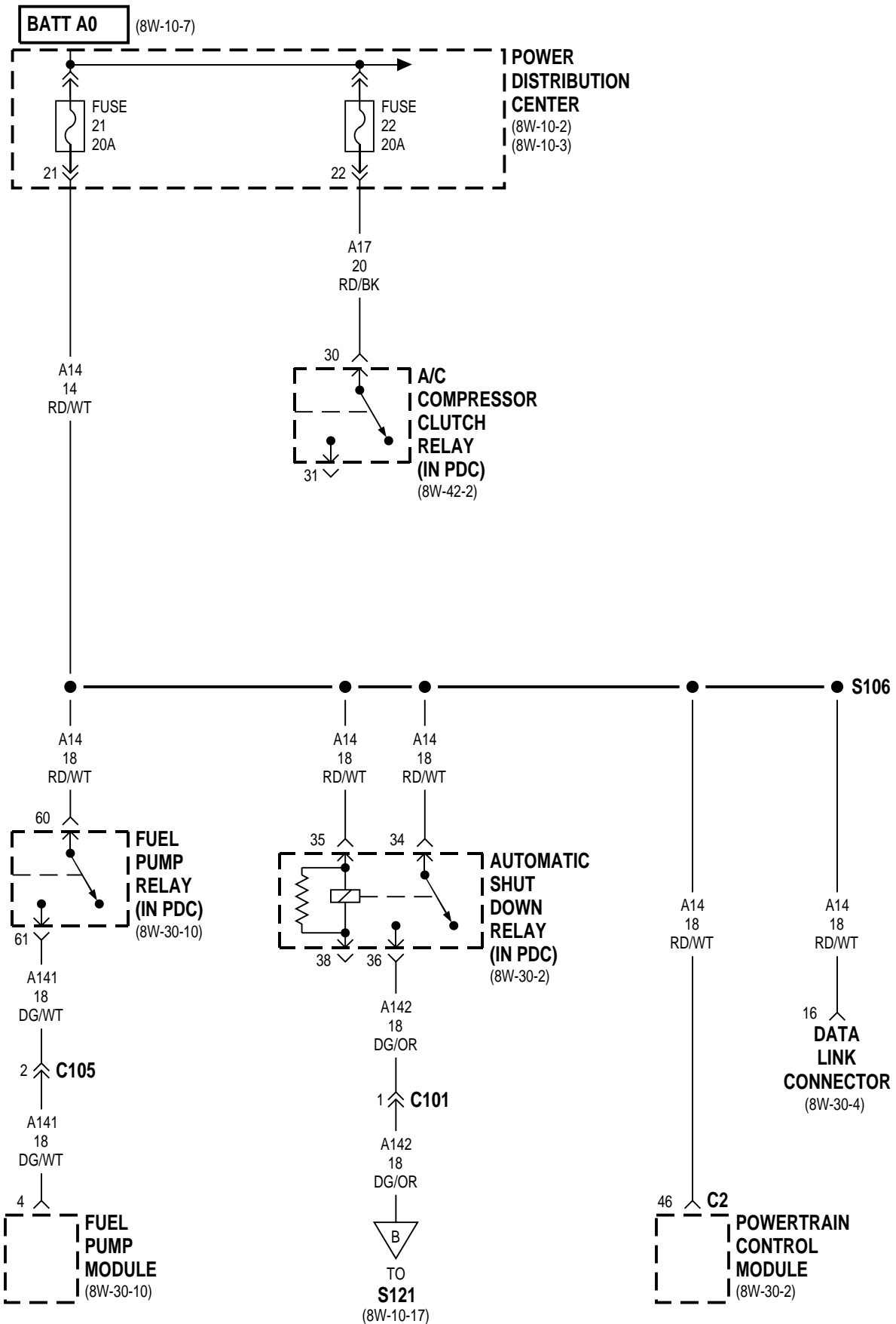


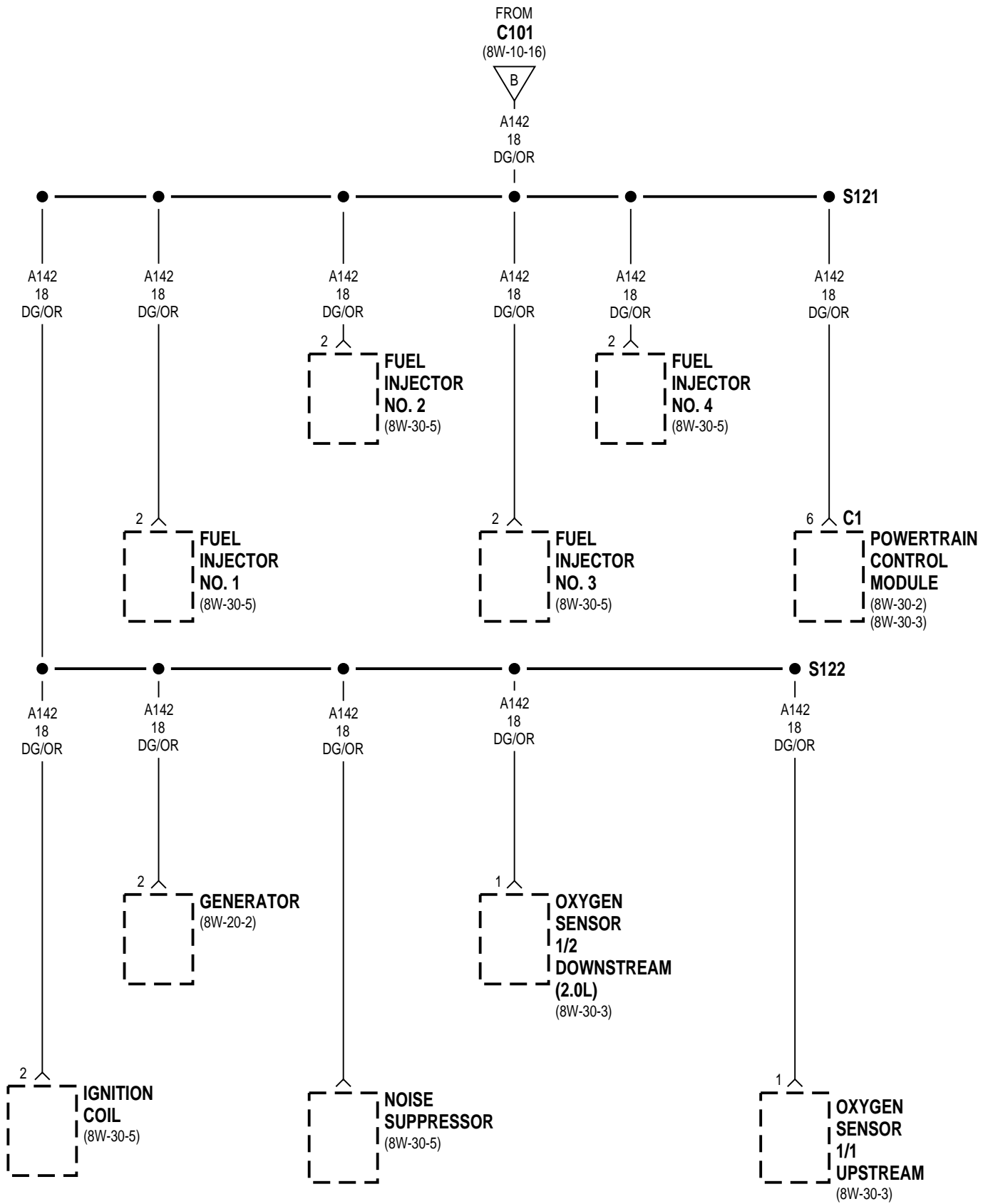


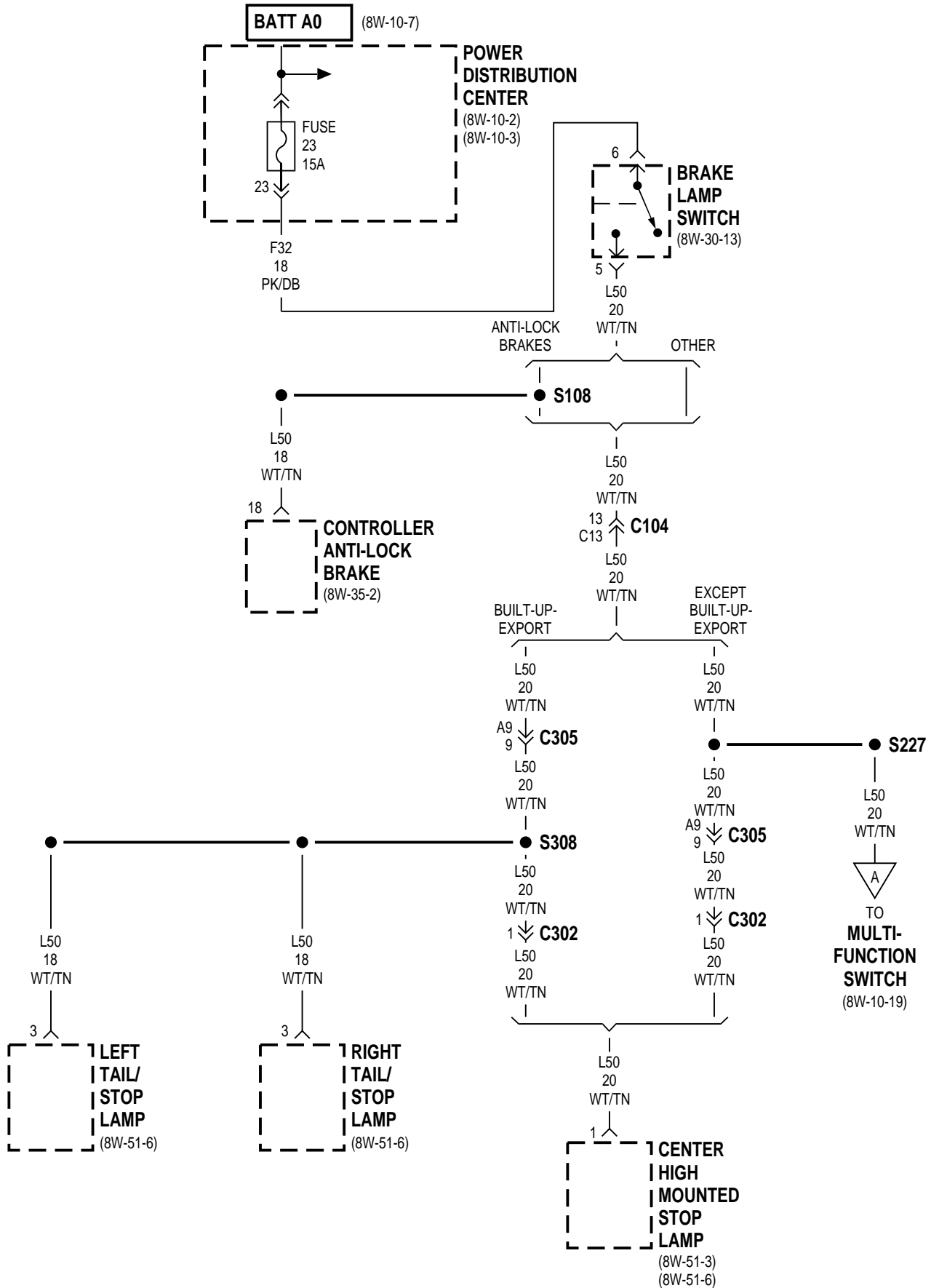


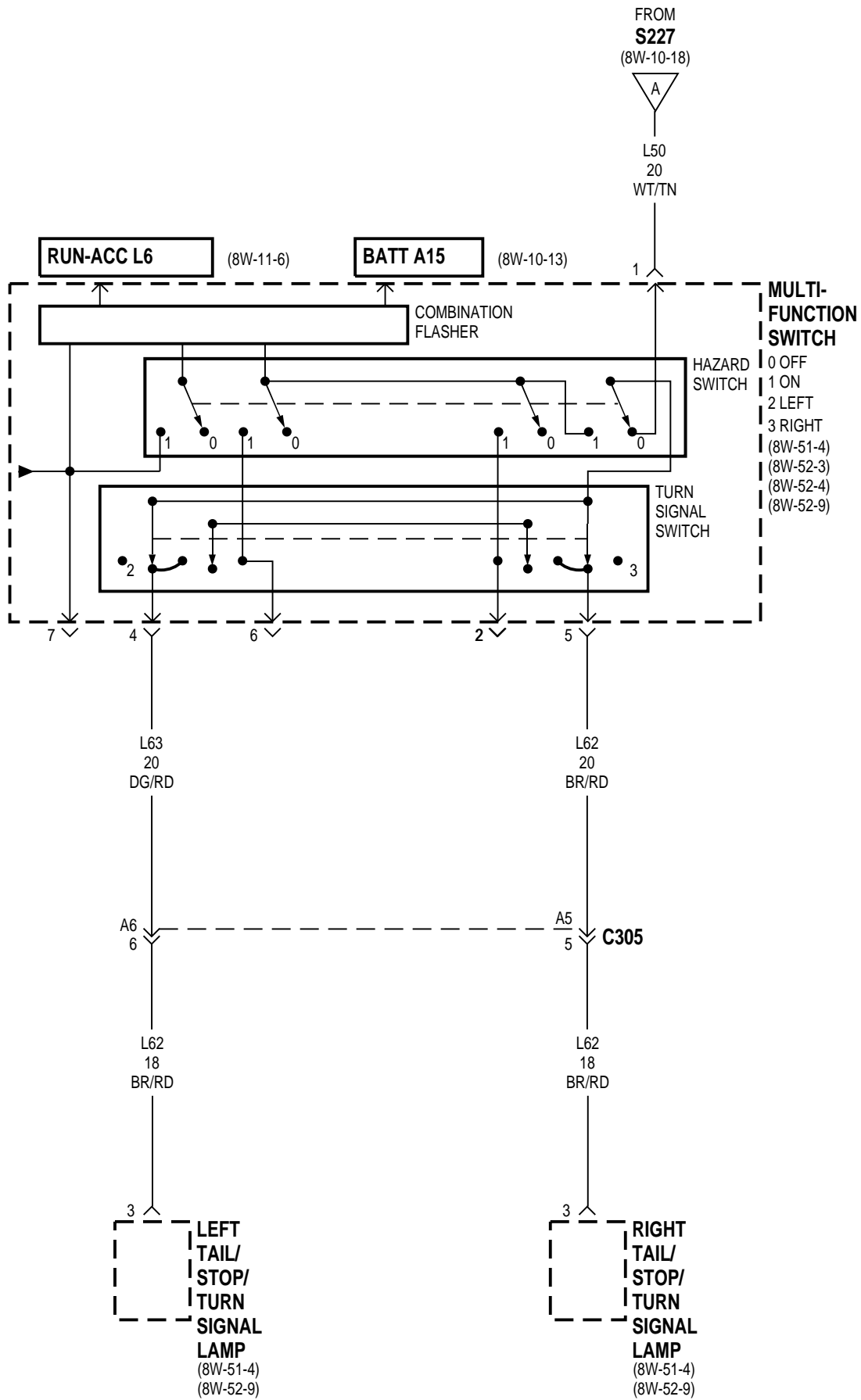








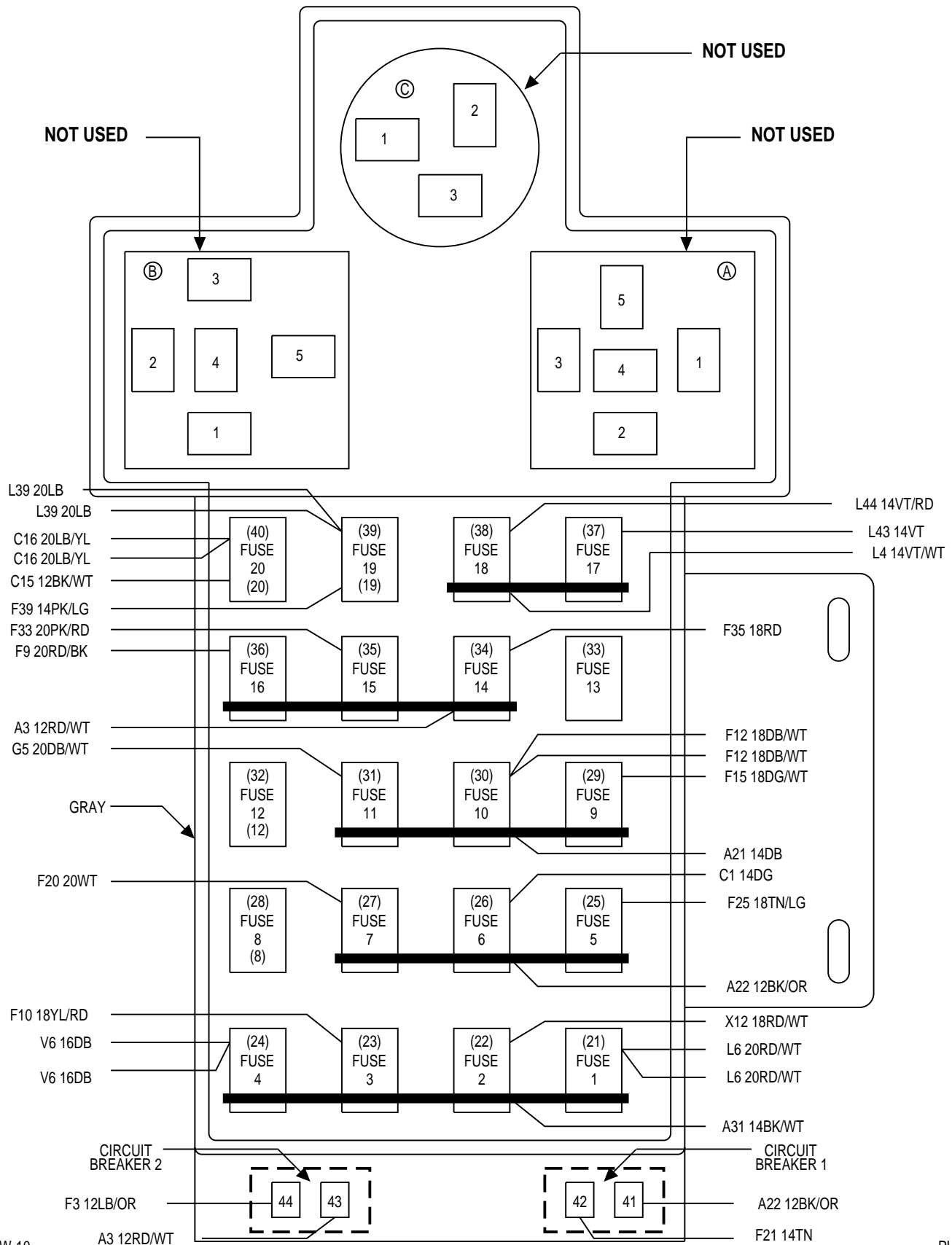


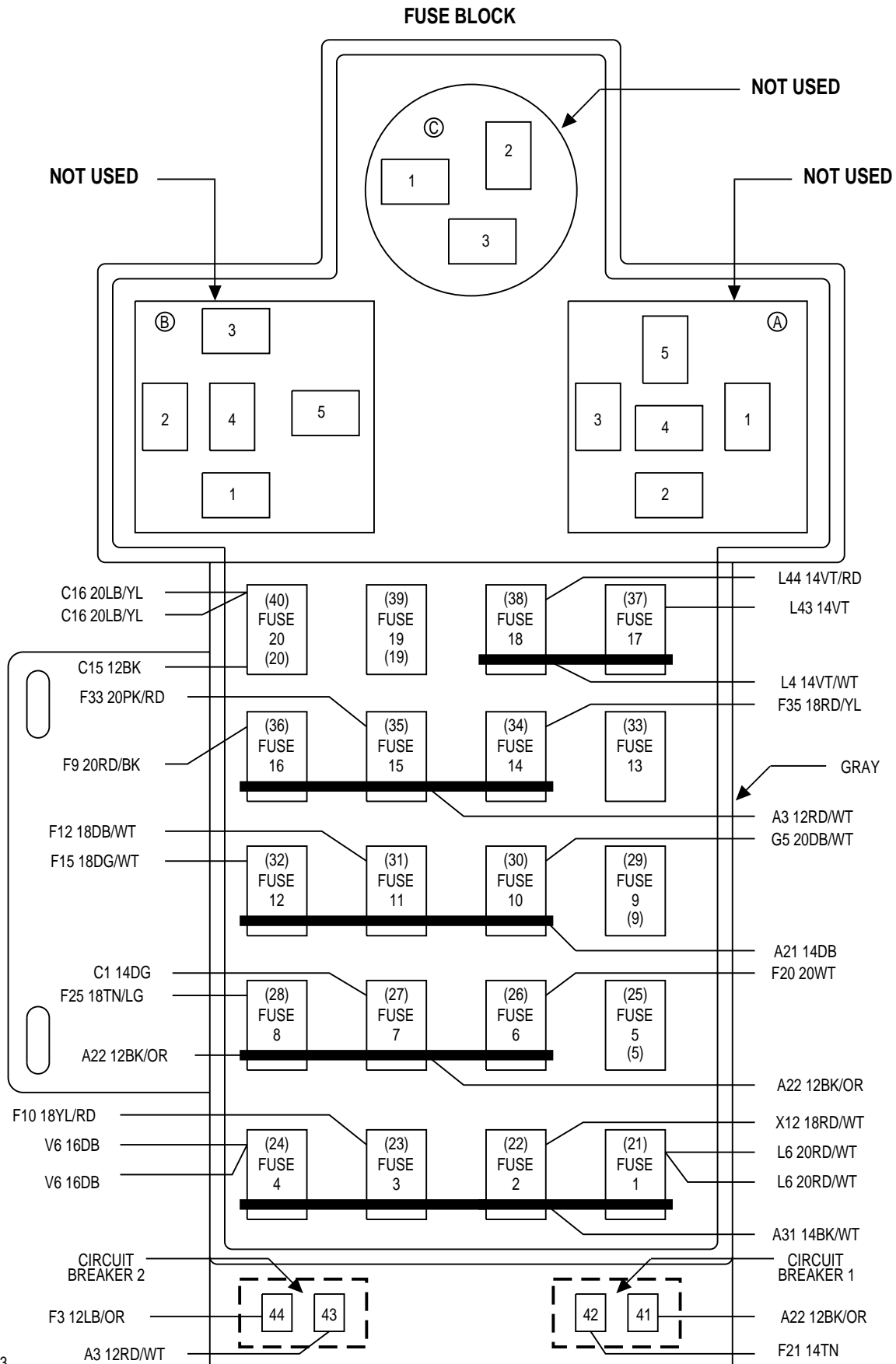


8W-11 FUSE BLOCK

Component	Page	Component	Page
A/C Compressor Clutch Relay	8W-11-11, 12	Left City Lamp	8W-11-15
A/C Cycling Switch	8W-11-7, 8	Left Front Fog Lamp	8W-11-19
A/C Heater Blower Motor	8W-11-7, 8	Left Front Side Marker Lamp	8W-11-15
Airbag Control Module	8W-11-7, 8, 11, 12	Left Headlamp	8W-11-19, 20, 21
Back-Up Lamp Switch	8W-11-7, 8	Left Headlamp Leveling Motor	8W-11-20
Brake Shift Interlock Solenoid	8W-11-7, 8	Left License Lamp	8W-11-14
Circuit Breaker No. 1 (FB)	8W-11-17	Left Park/Turn Signal Lamp	8W-11-15
Circuit Breaker No. 2 (FB)	8W-11-18	Left Tail/Stop Lamp	8W-11-14
Combination Flasher	8W-11-6	Left Tail/Stop/Turn Signal Lamp	8W-11-13
Controller Anti-Lock Brake	8W-11-11, 12	License Lamp	8W-11-13
Driver Door Lock Switch	8W-11-9	Multi- Function Switch	8W-11-6, 13, 14, 18, 19
Driver Power Mirror	8W-11-16	Park/Neutral Position Switch	8W-11-7, 8
Driver Power Window Switch	8W-11-9, 17	Passenger Door Lock Switch	8W-11-9
Fuel Pump Relay	8W-11-11, 12	Passenger Power Mirror	8W-11-16
Fuse 1 (FB)	8W-11-6	Passenger Power Window Switch	8W-11-9, 17
Fuse 2 (FB)	8W-11-6	Power Distribution Center	8W-11-16
Fuse 3 (FB)	8W-11-6	Power Mirror Switch	8W-11-6, 9
Fuse 4 (FB)	8W-11-6	Powertrain Control Module	8W-11-11, 12
Fuse 5 (FB)	8W-11-7	Radiator Fan Relay	8W-11-11, 12
Fuse 6 (FB)	8W-11-7, 8	Radio	8W-11-6, 13, 14
Fuse 7 (FB)	8W-11-7, 8	Rear Window Defogger	8W-11-16
Fuse 8 (FB)	8W-11-8	Rear Window Defogger Switch	8W-11-7, 8, 16
Fuse 9 (FB)	8W-11-11	Remote Keyless Entry Module	8W-11-10, 13, 14, 18
Fuse 10 (FB)	8W-11-10, 11	Right City Lamp	8W-11-15
Fuse 10 (PDC)	8W-11-16	Right Front Fog Lamp	8W-11-19
Fuse 11 (FB)	8W-11-10, 12	Right Front Side Marker Lamp	8W-11-15
Fuse 12 (FB)	8W-11-12	Right Headlamp	8W-11-19, 20, 21
Fuse 14 (FB)	8W-11-13, 14	Right Headlamp Leveling Motor	8W-11-20
Fuse 15 (FB)	8W-11-13, 14	Right License Lamp	8W-11-14
Fuse 16 (FB)	8W-11-13, 14	Right Park/Turn Signal Lamp	8W-11-15
Fuse 17 (FB)	8W-11-19, 20	Right Tail/Stop Lamp	8W-11-14
Fuse 18 (FB)	8W-11-19, 20	Right Tail/Stop/Turn Signal Lamp	8W-11-13
Fuse 19 (FB)	8W-11-19	Sentry Key Immobilizer Module	8W-11-10
Fuse 20 (FB)	8W-11-16	Sunroof Control Module	8W-11-6
Fuse Block	8W-11-2, 3, 6, 7, 8, 10, 11, 13, 14, 16, 17, 18, 19	Sunroof Switch	8W-11-6
Headlamp Leveling Switch	8W-11-20	Torque Converter Clutch Solenoid	8W-11-11, 12
Headlamp Switch	8W-11-13	Wipe/Wash Switch	8W-11-6
Instrument Cluster	8W-11-10, 13, 14, 18, 19, 21	Wiper Motor	8W-11-6
Leak Detection Pump	8W-11-11		

FUSE BLOCK





FUSES

FUSE NO.	AMPS	FUSED CIRCUIT	FEED CIRCUIT
1	10A	L6 20RD/WT	A31 14BK/WT
		L6 20RD/WT	
2	10A	X12 18RD/WT	A31 14BK/WT
3	20A	F10 18YL/RD	A31 14BK/WT
4	10A	V6 16DB	A31 14BK/WT
		V6 16DB	
5	10A	F25 18TN/LG	A22 12BK/OR
6	20A	C1 14DG	A22 12BK/OR
7	10A	F20 20WT	A22 12BK/OR
8	-	-	-
9	10A	F15 18DG/WT	A21 14DB
10	15A	F12 18DB/WT	A21 14DB
		F12 18DB/WT	
11	10A	G5 20DB/WT	A21 14DB
12	-	-	-
13	-	-	-
14	20A	F35 18RD *	A3 12RD/WT
15	15A	F33 20PK/RD	A3 12RD/WT
16	5A	F9 20RD/BK *	A3 12RD/WT
17	10A	L43 14VT	L4 14VT/WT
18	10A	L44 14VT/RD	L4 14VT/WT
19	10A	L39 20LB ▽	F39 14PK/LG ▽
		L39 20LB ▽	
20	10A	C16 20LB/YL •	C15 12BK/WT
		C16 20LB/YL •	

CIRCUIT BREAKERS

C.B. NO.	AMPS	FUSED CIRCUIT	FEED CIRCUIT
1	30A	F21 14TN ■	A22 12BK/OR ■
2	25A	F3 12LB/OR	A3 12RD/WT

- HEATED MIRRORS
- ▽ FRONT FOG LAMPS
- POWER OPTIONS
- * RKE

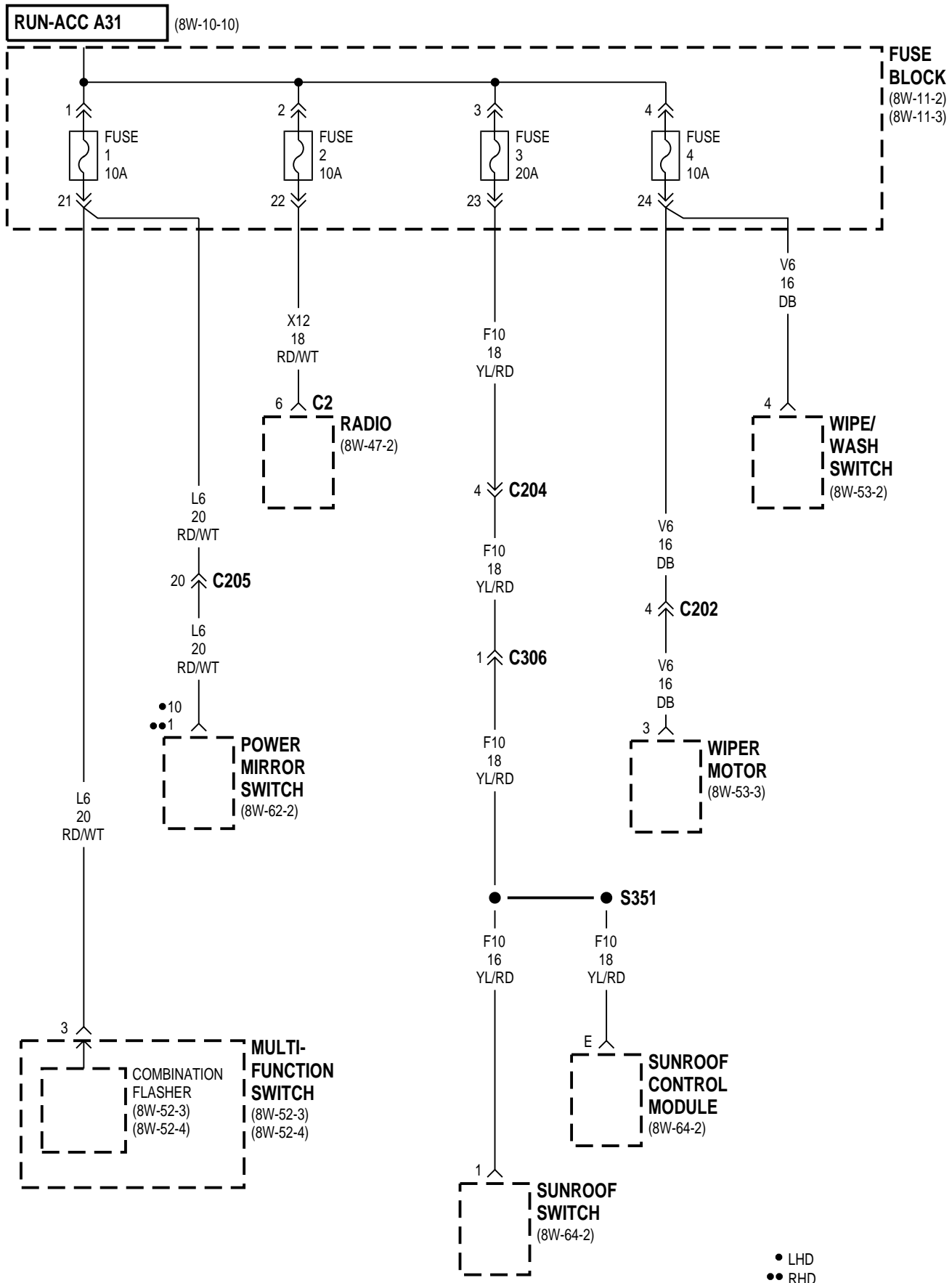
FUSES

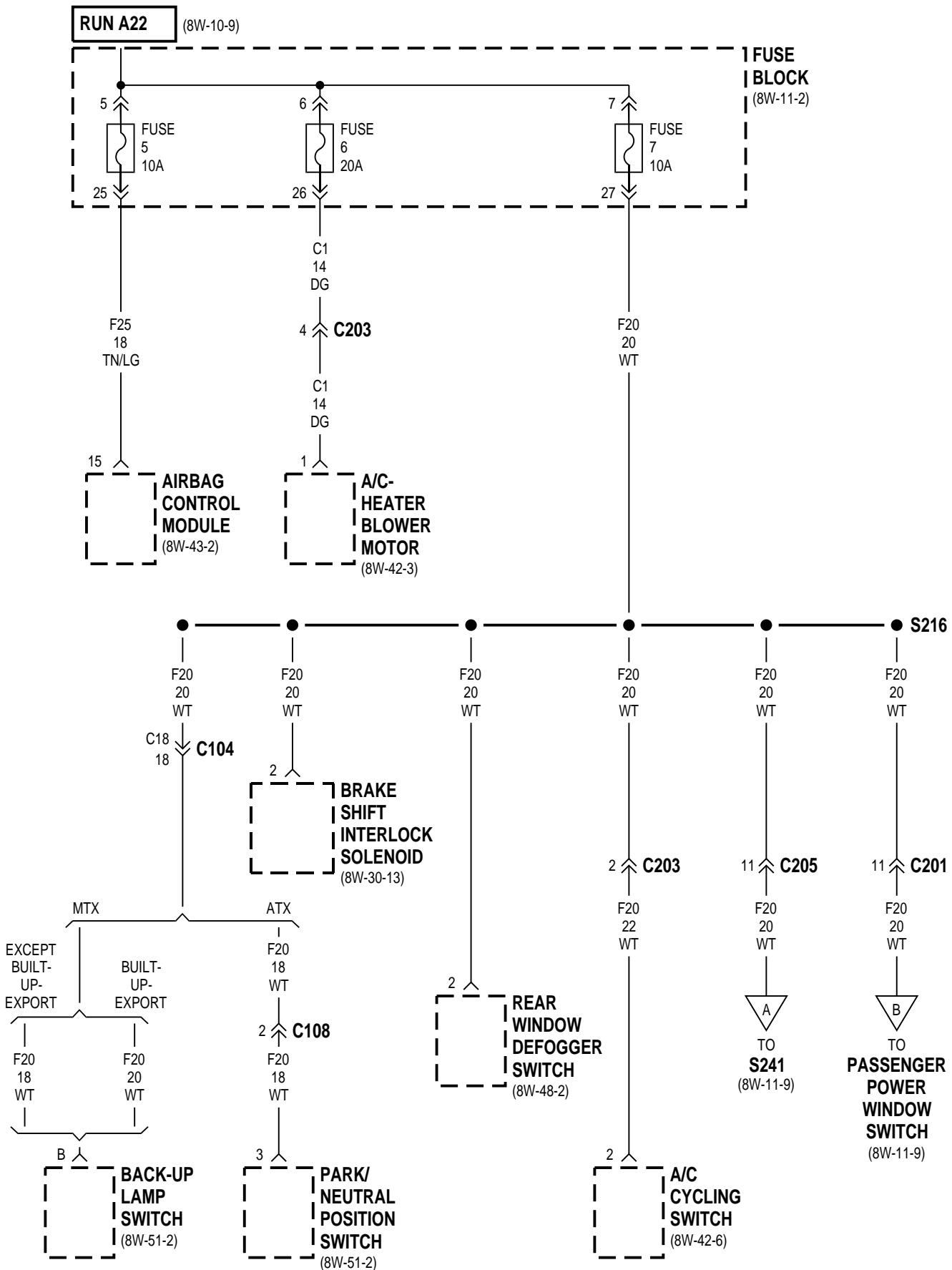
FUSE NO.	AMPS	FUSED CIRCUIT	FEED CIRCUIT
1	10A	L6 20RD/WT	A31 14BK/WT
		L6 20RD/WT	
2	10A	X12 18RD/WT	A31 14BK/WT
3	20A	F10 18YL/RD	A31 14BK/WT
4	10A	V6 16DB	A31 14BK/WT
		V6 16DB	
5	-	-	-
6	10A	F20 20WT	A22 12BK/OR
7	20A	C1 14DG	A22 12BK/OR
8	10A	F25 18TN/LG	A22 12BK/OR
9	-	-	-
10	10A	G5 20DB/WT	A21 14DB
11	15A	F12 18DB/WT	A21 14DB
12	10A	F15 18DG/WT	A21 14DB
13	-	-	-
14	20A	F35 18RD/YL *	A3 12RD/WT
15	15A	F33 20PK/RD	A3 12RD/WT
16	5A	F9 20RD/BK *	A3 12RD/WT
17	10A	L43 14VT	L4 14VT/WT
18	10A	L44 14VT/RD	L4 14VT/WT
19	-	-	-
20	10A	C16 20LB/YL •	C15 12BK
		C16 20LB/YL •	

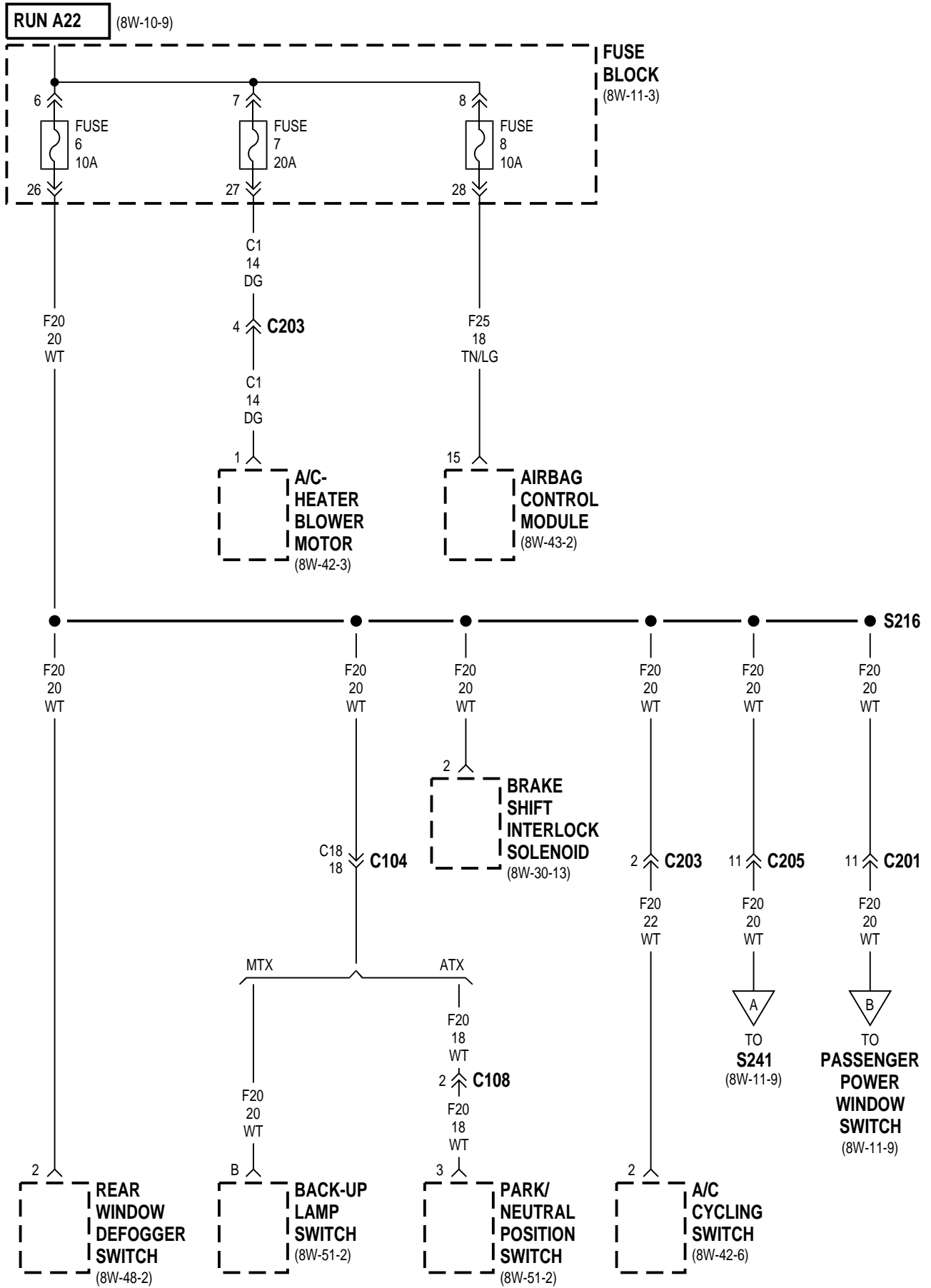
CIRCUIT BREAKERS

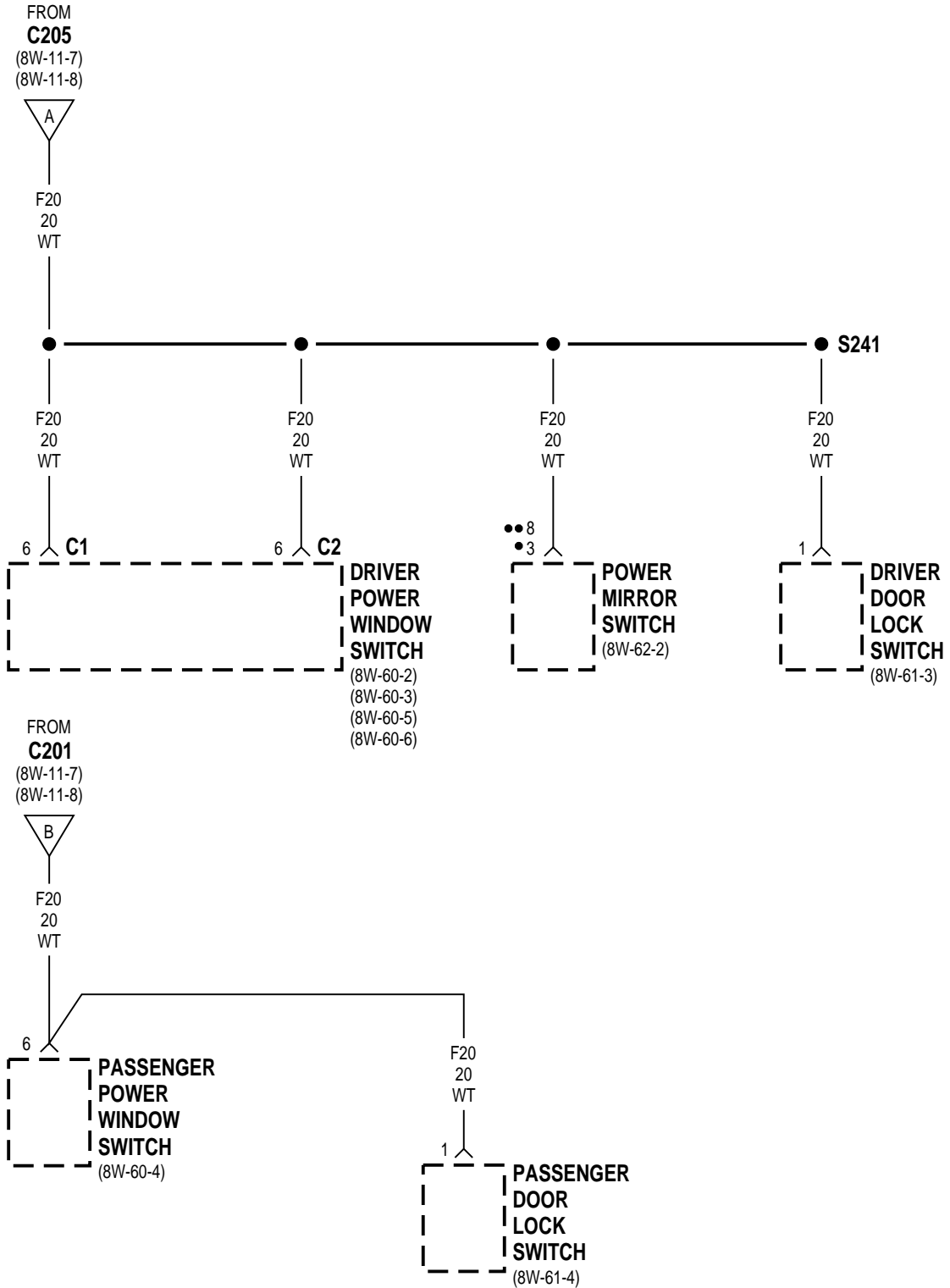
C.B. NO.	AMPS	FUSED CIRCUIT	FEED CIRCUIT
1	30A	F21 14TN ■	A22 12BK/OR ■
2	25A	F3 12LB/OR	A3 12RD/WT

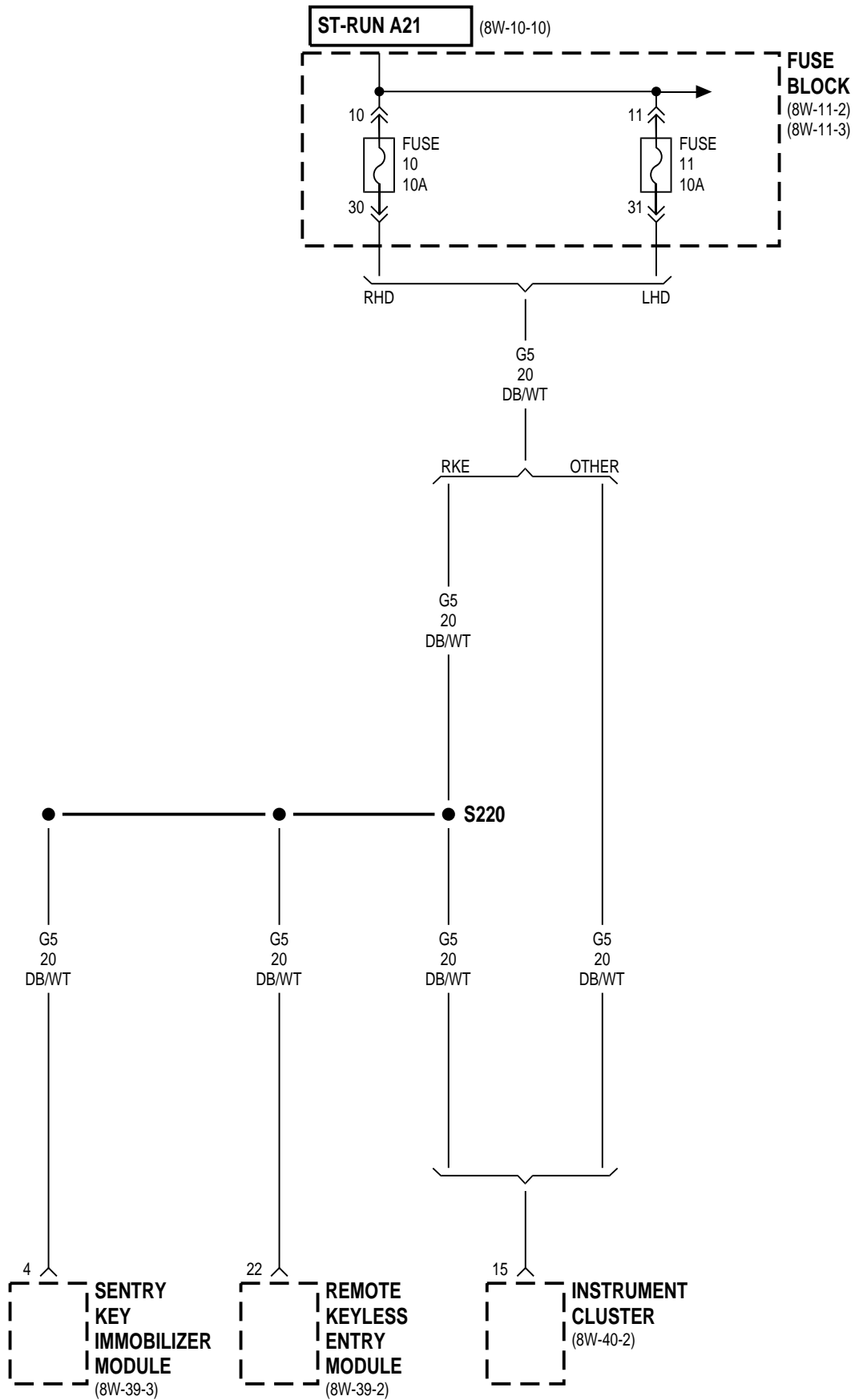
- POWER OPTIONS
- * RKE
- HEATED MIRRORS

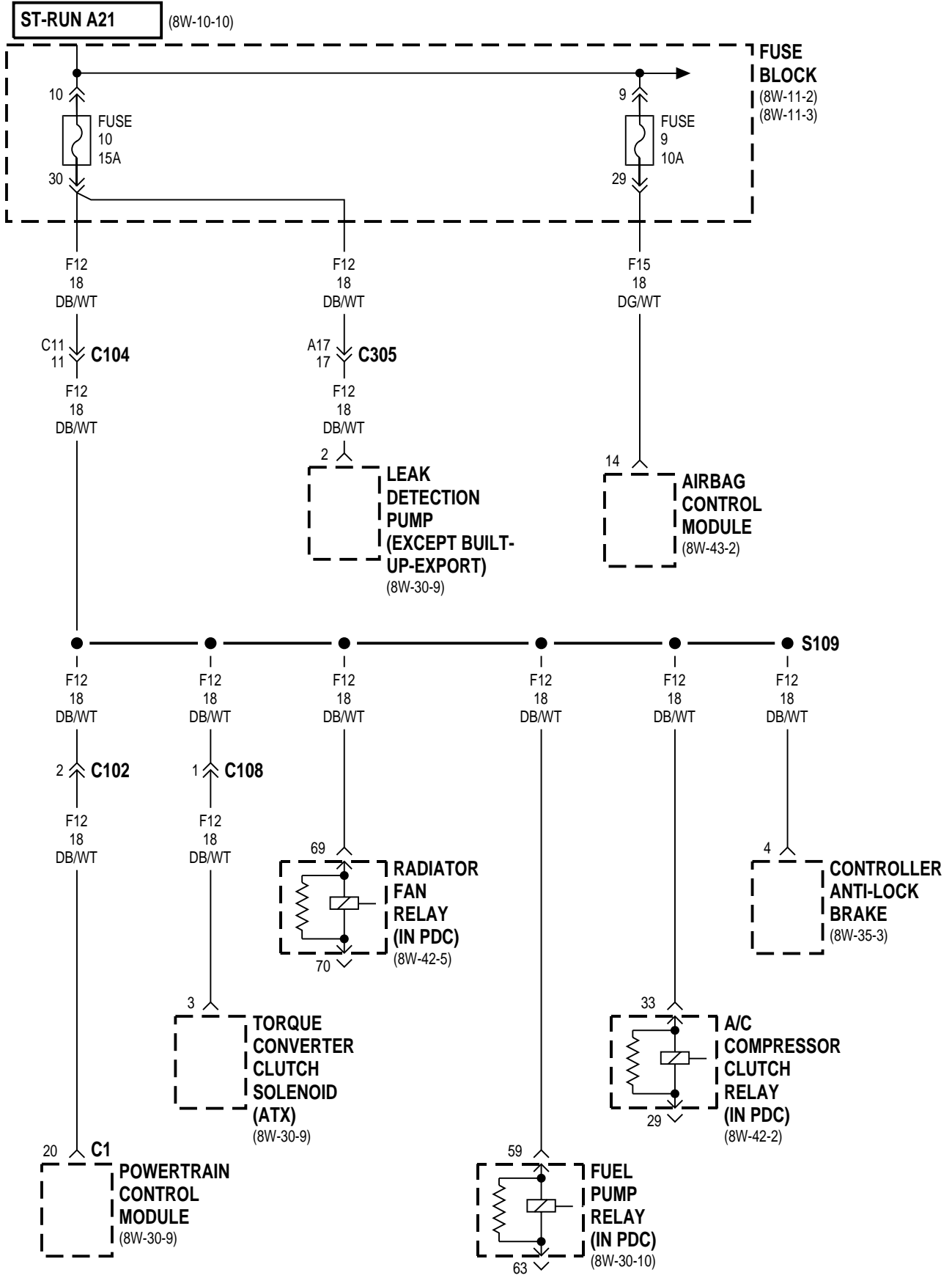


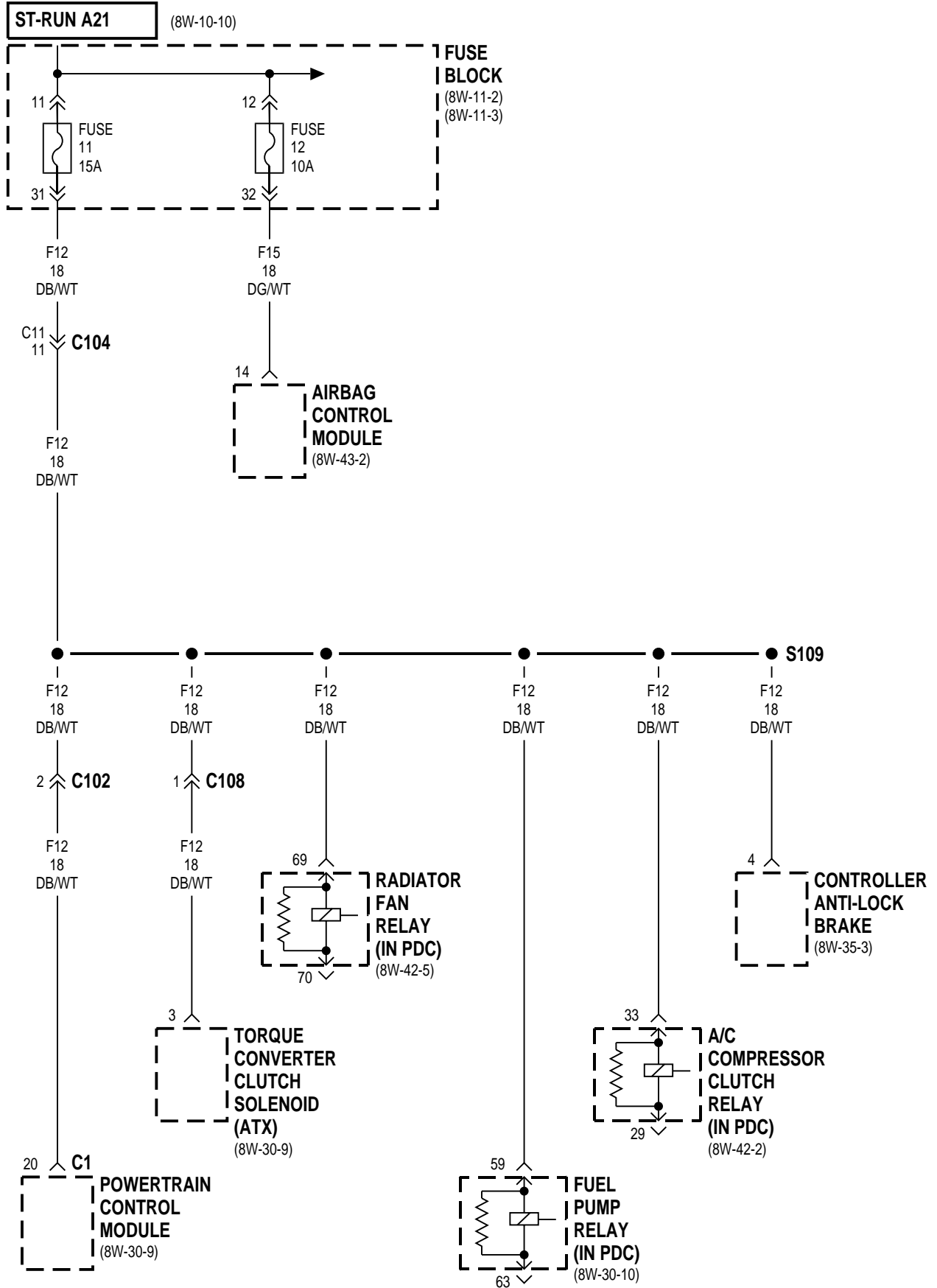




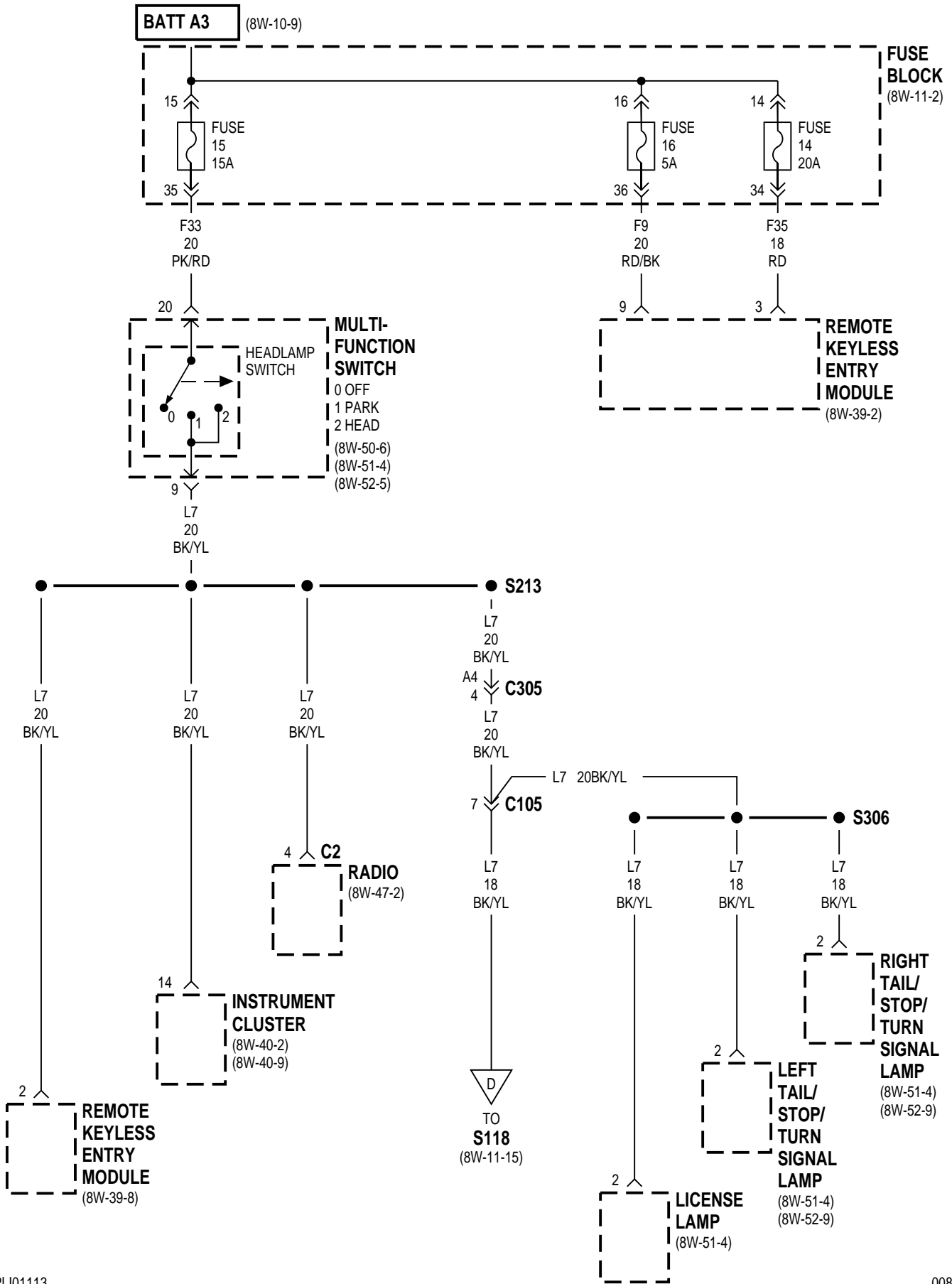


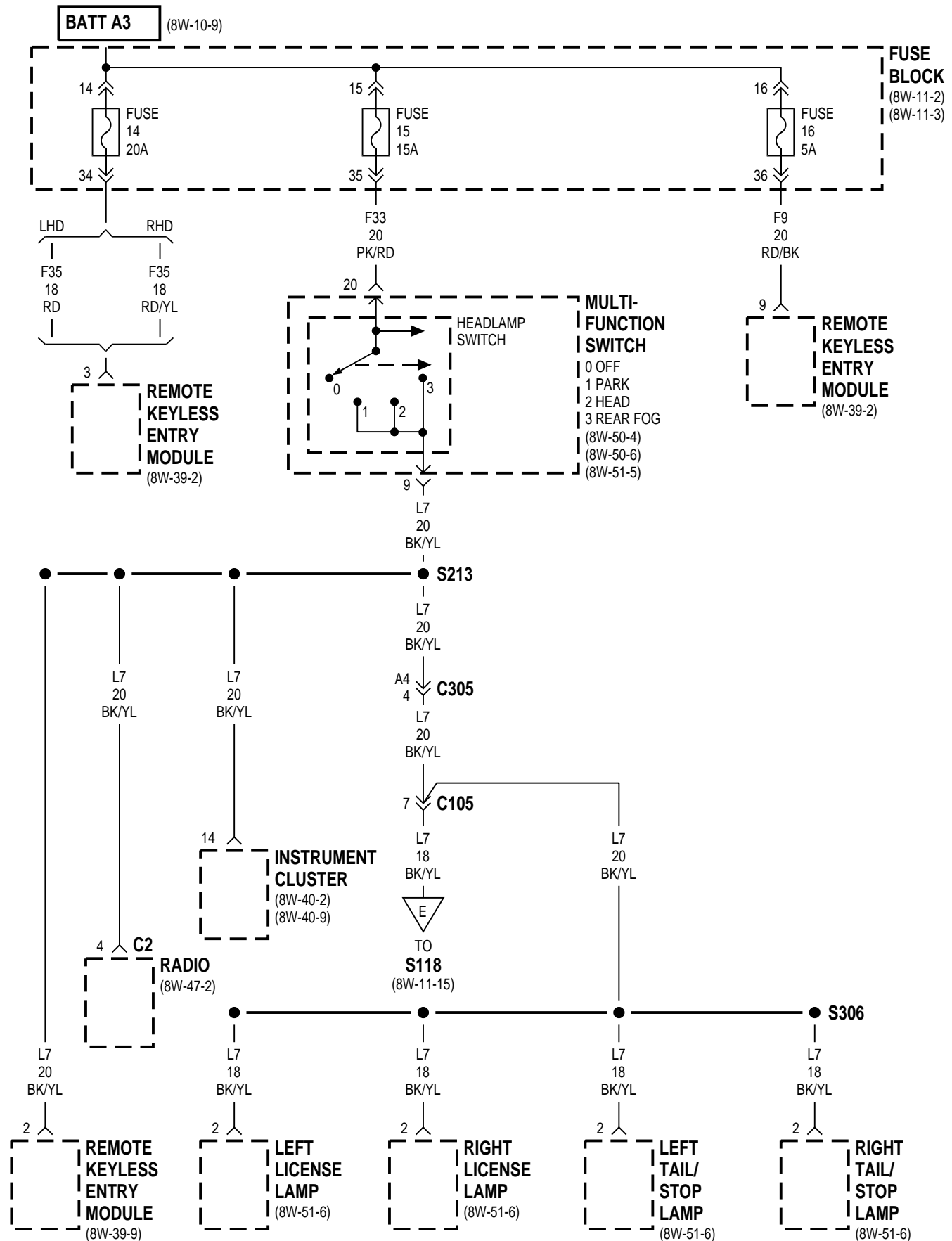


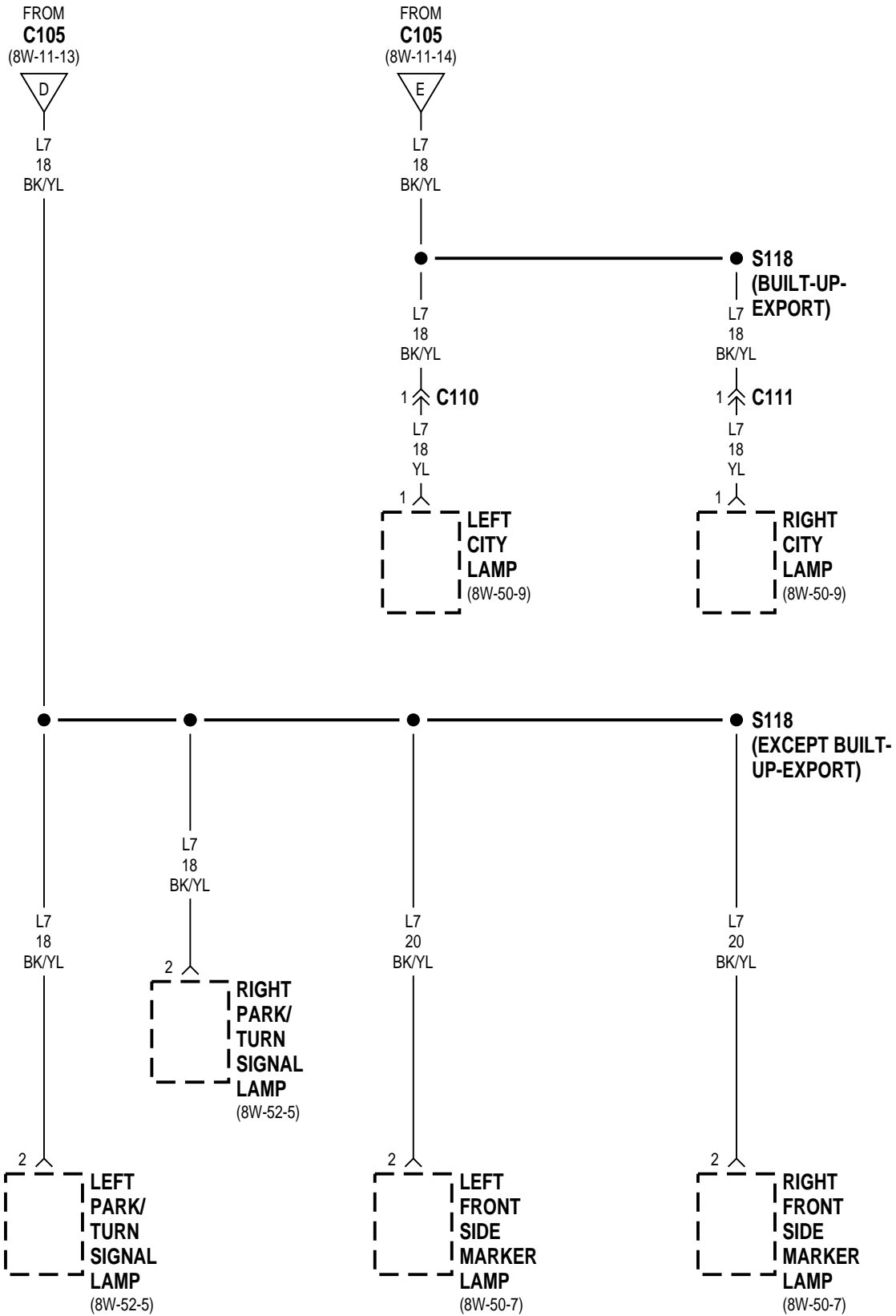


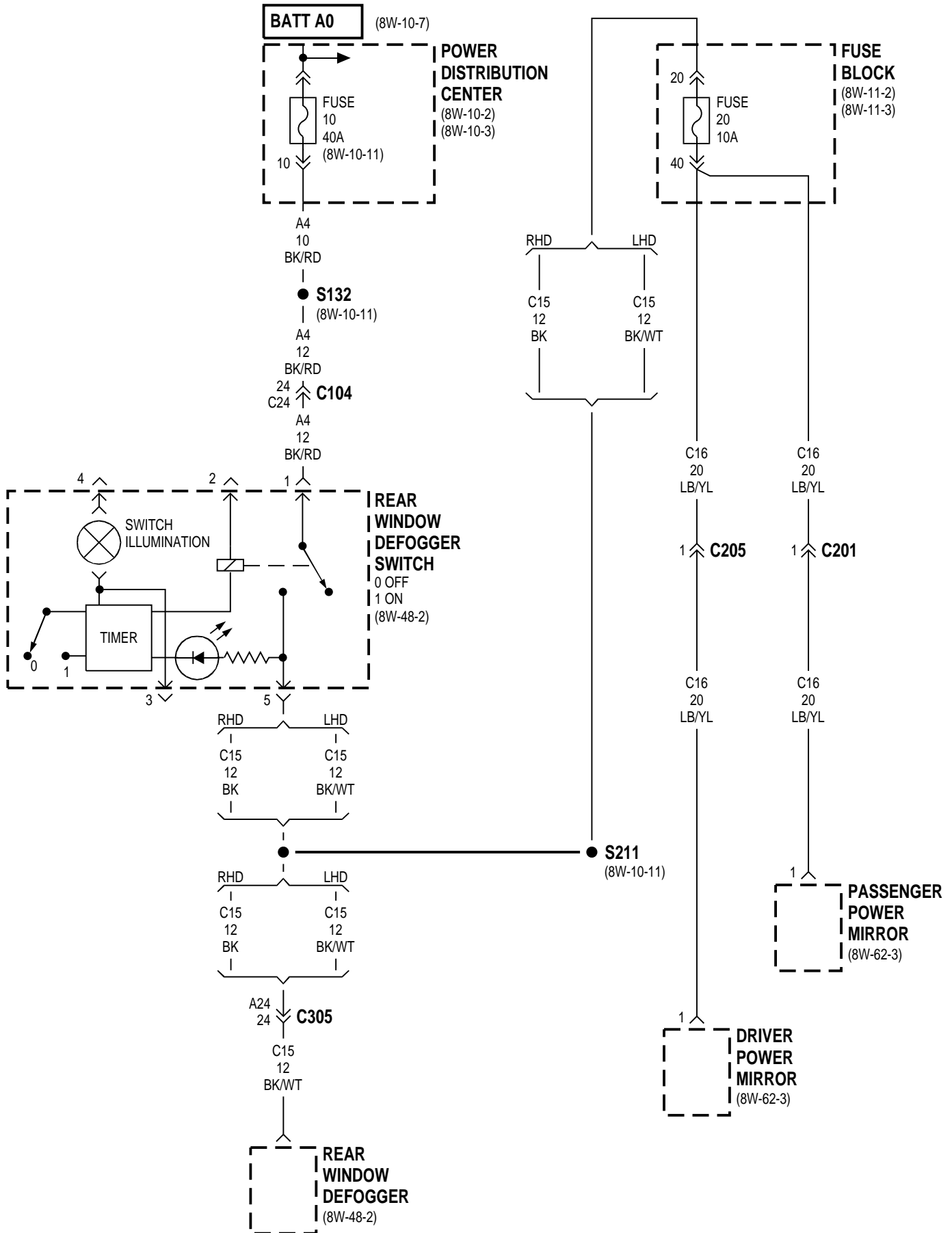


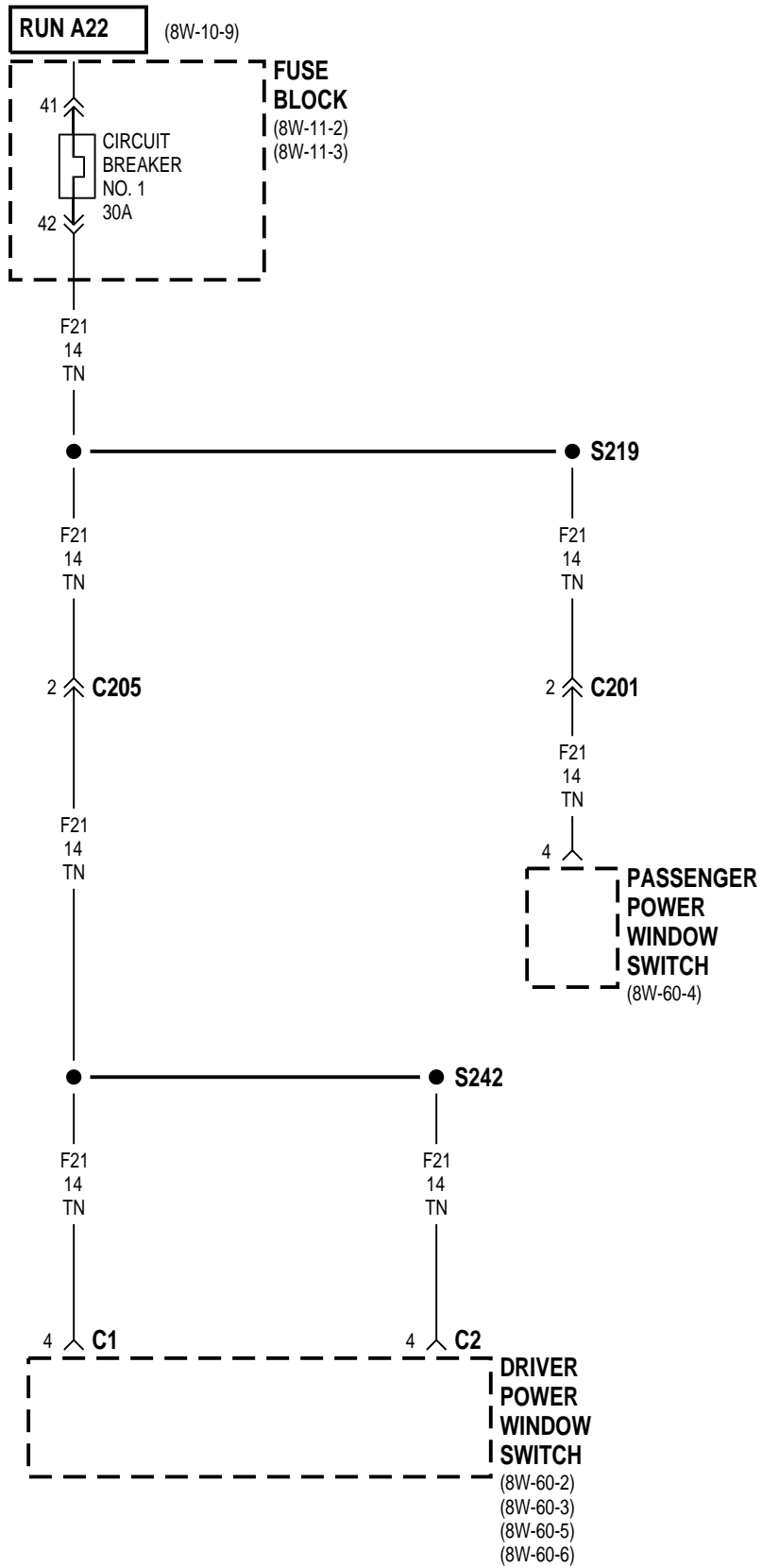
PL **8W-11 FUSE BLOCK** **EXCEPT BUILT-UP-EXPORT** 8W - 11 - 13

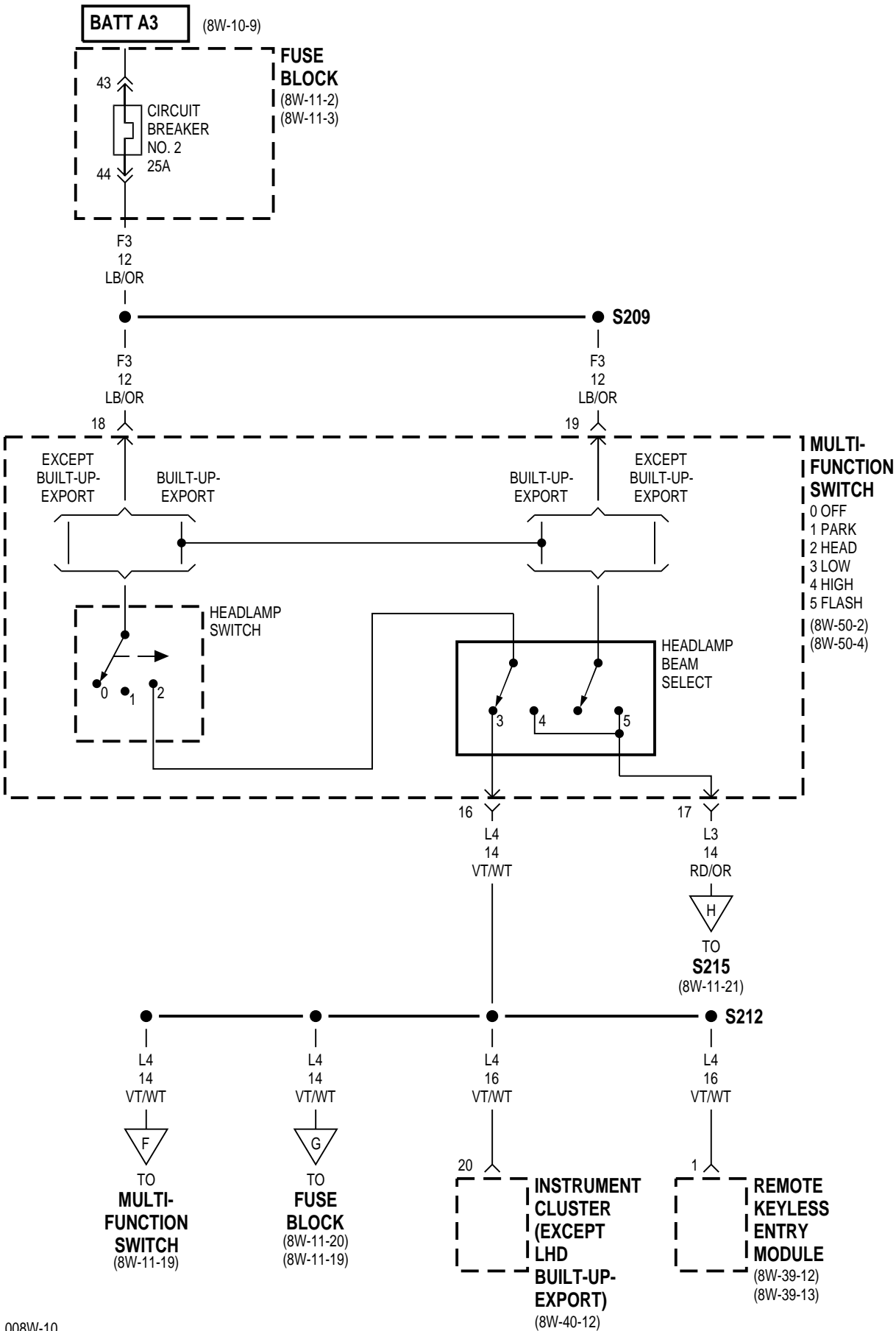


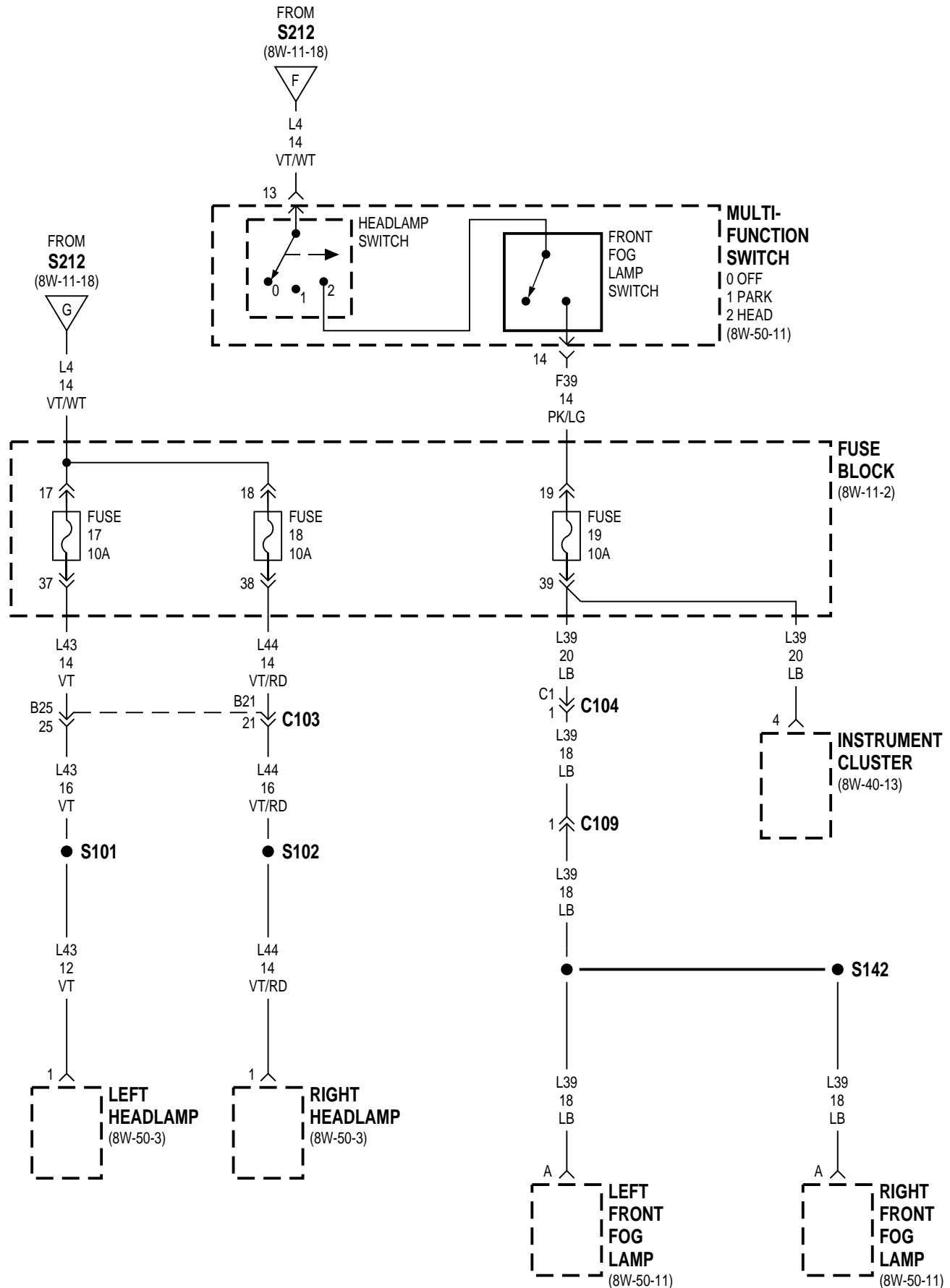


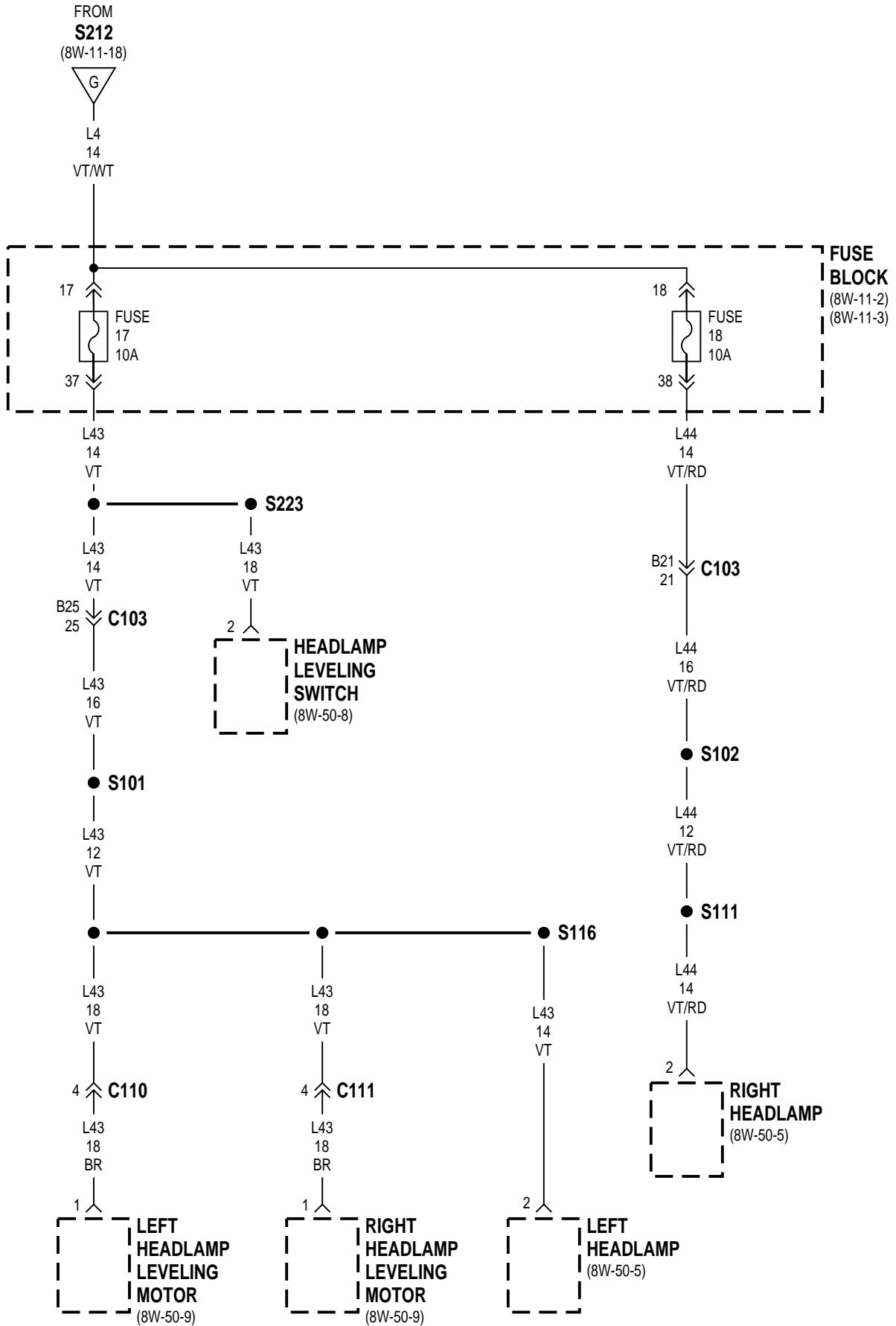


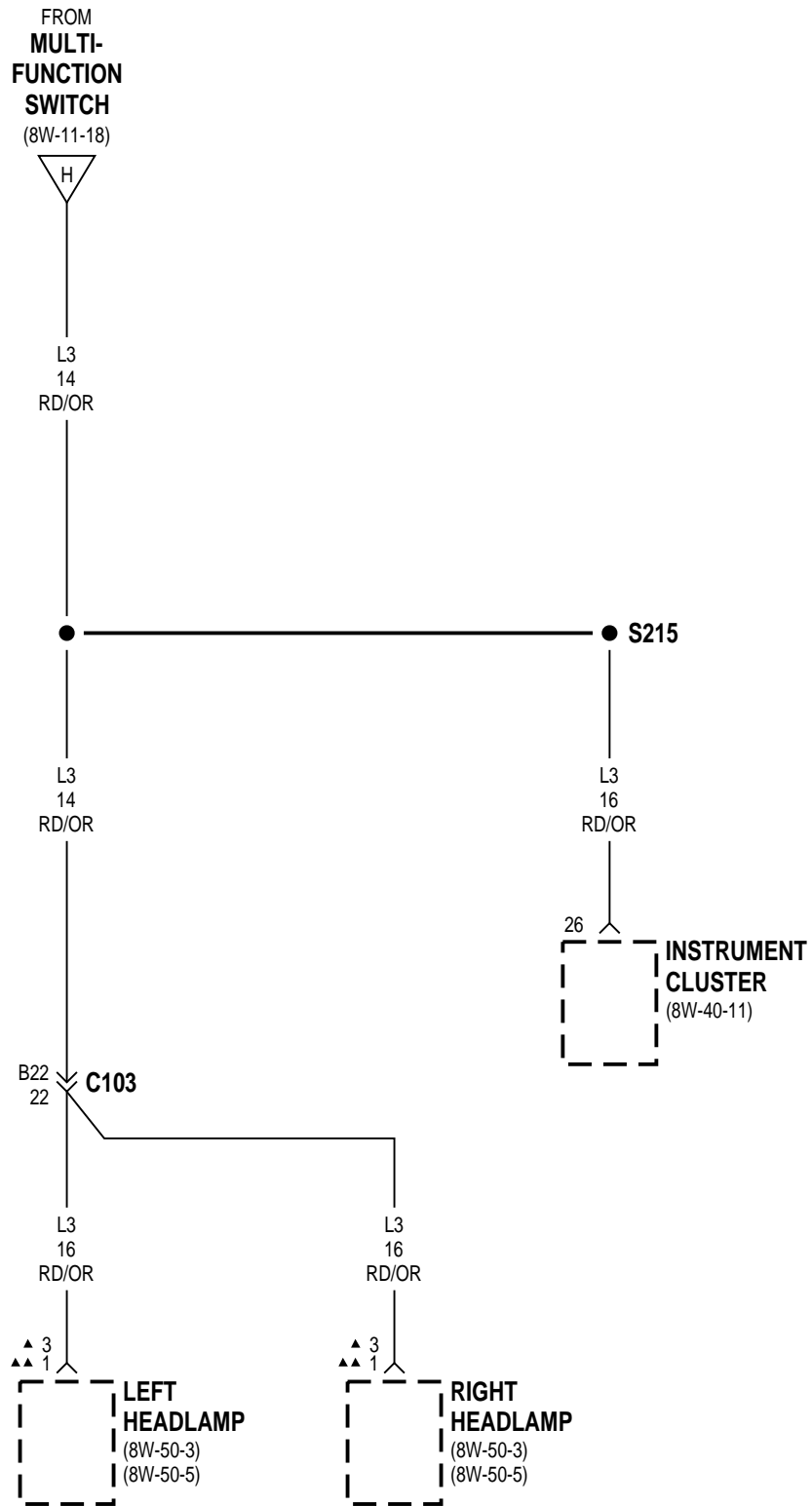








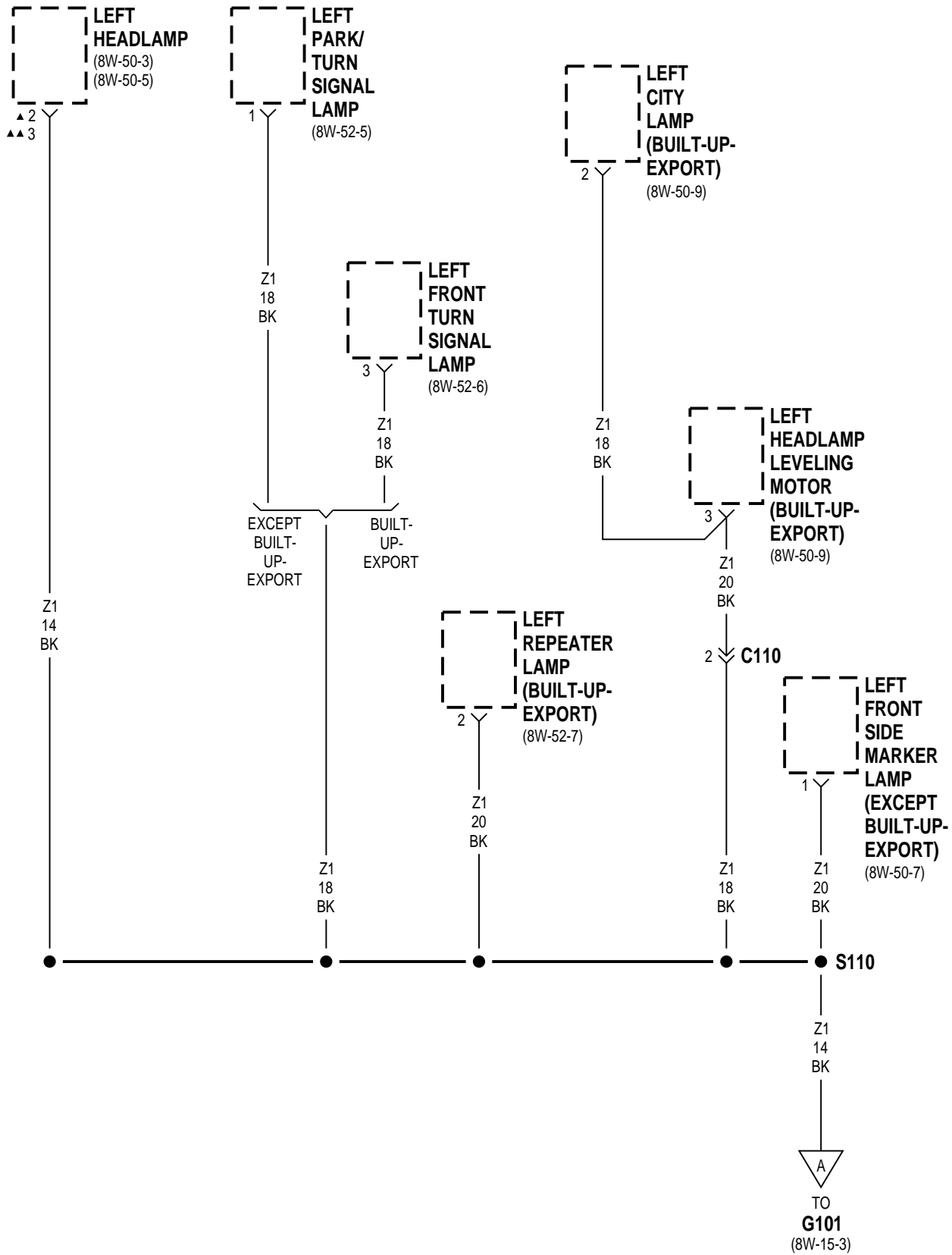




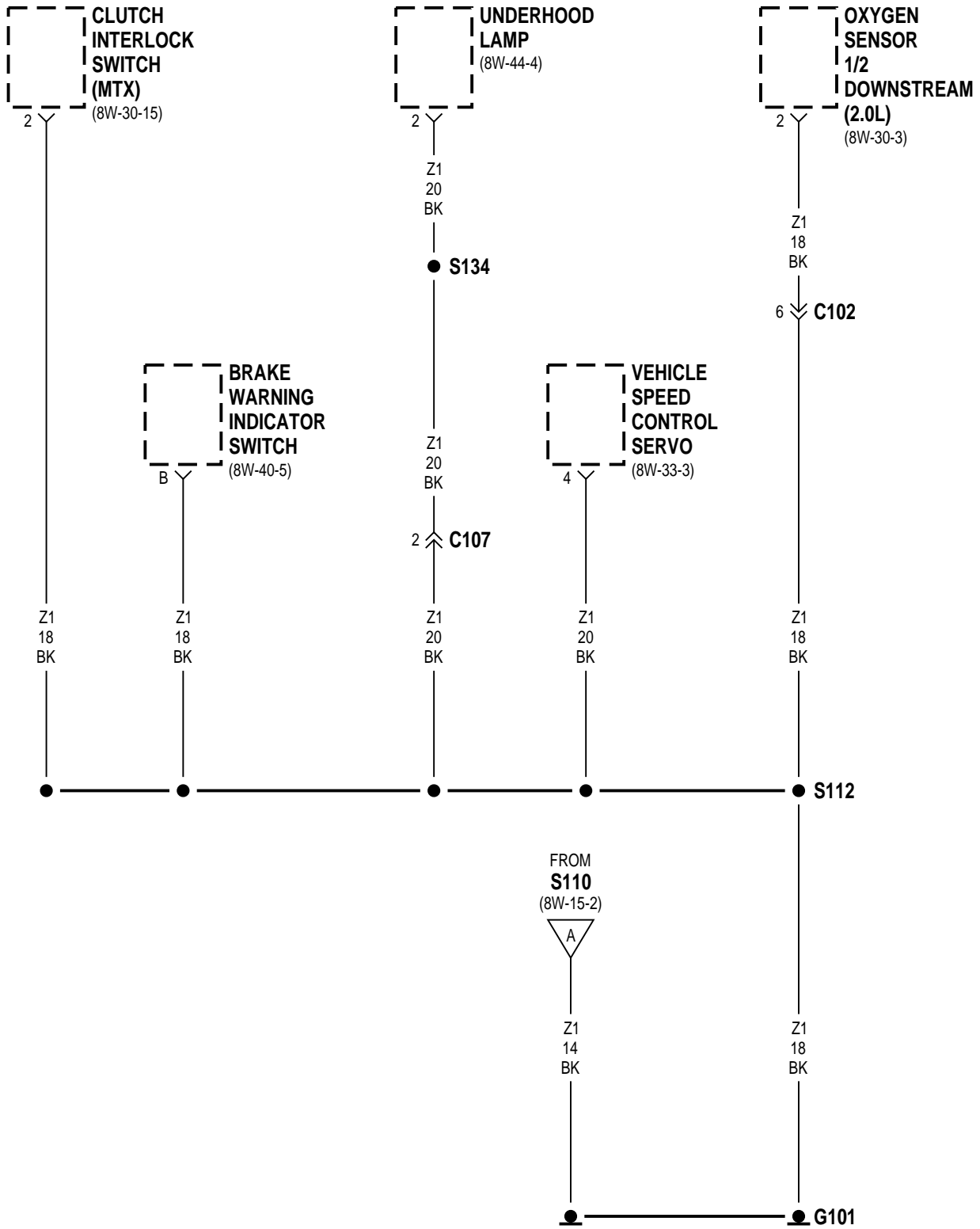
▲ EXCEPT BUILT-UP-EXPORT
▲▲ BUILT-UP-EXPORT

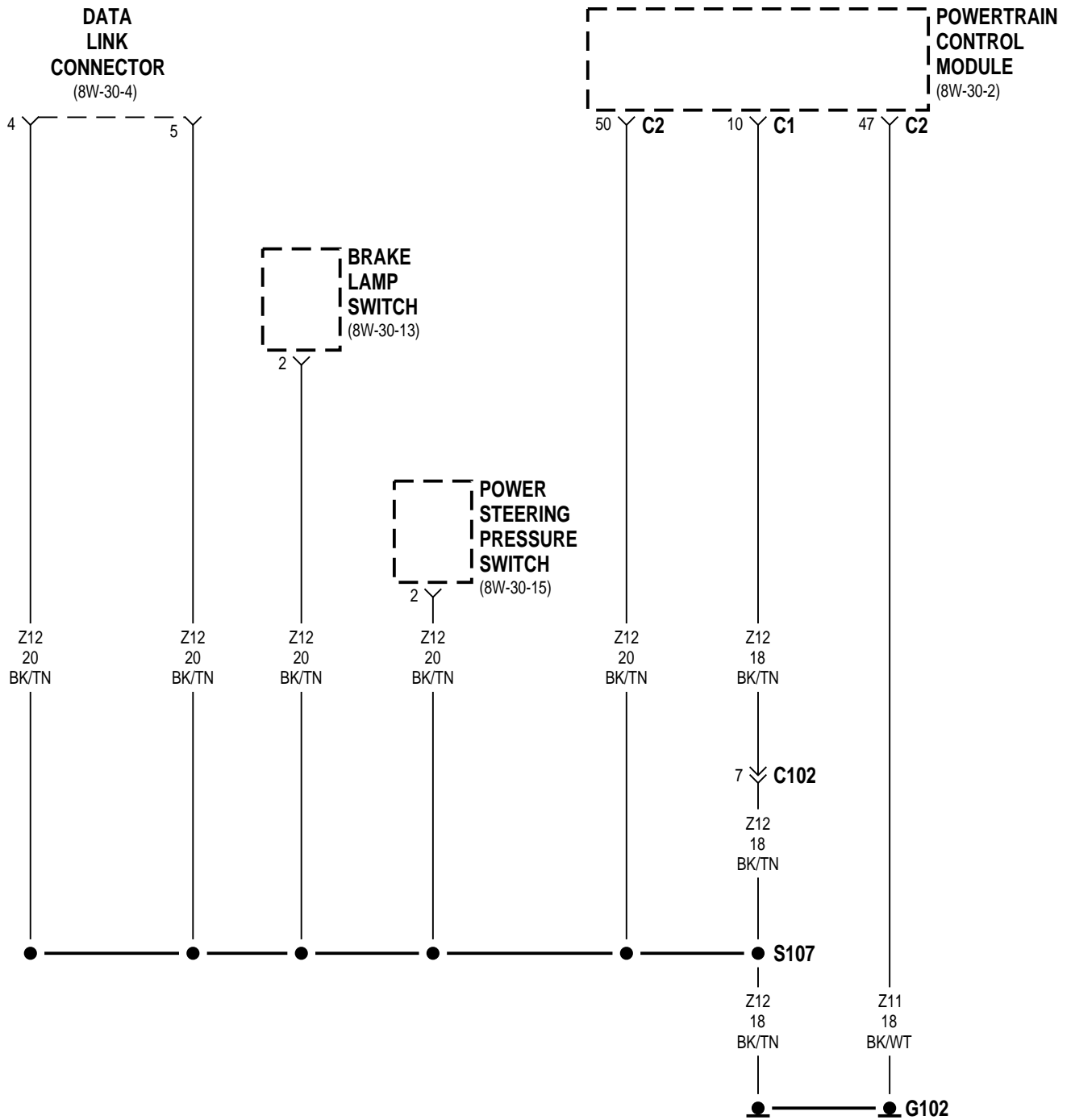
8W-15 GROUND DISTRIBUTION

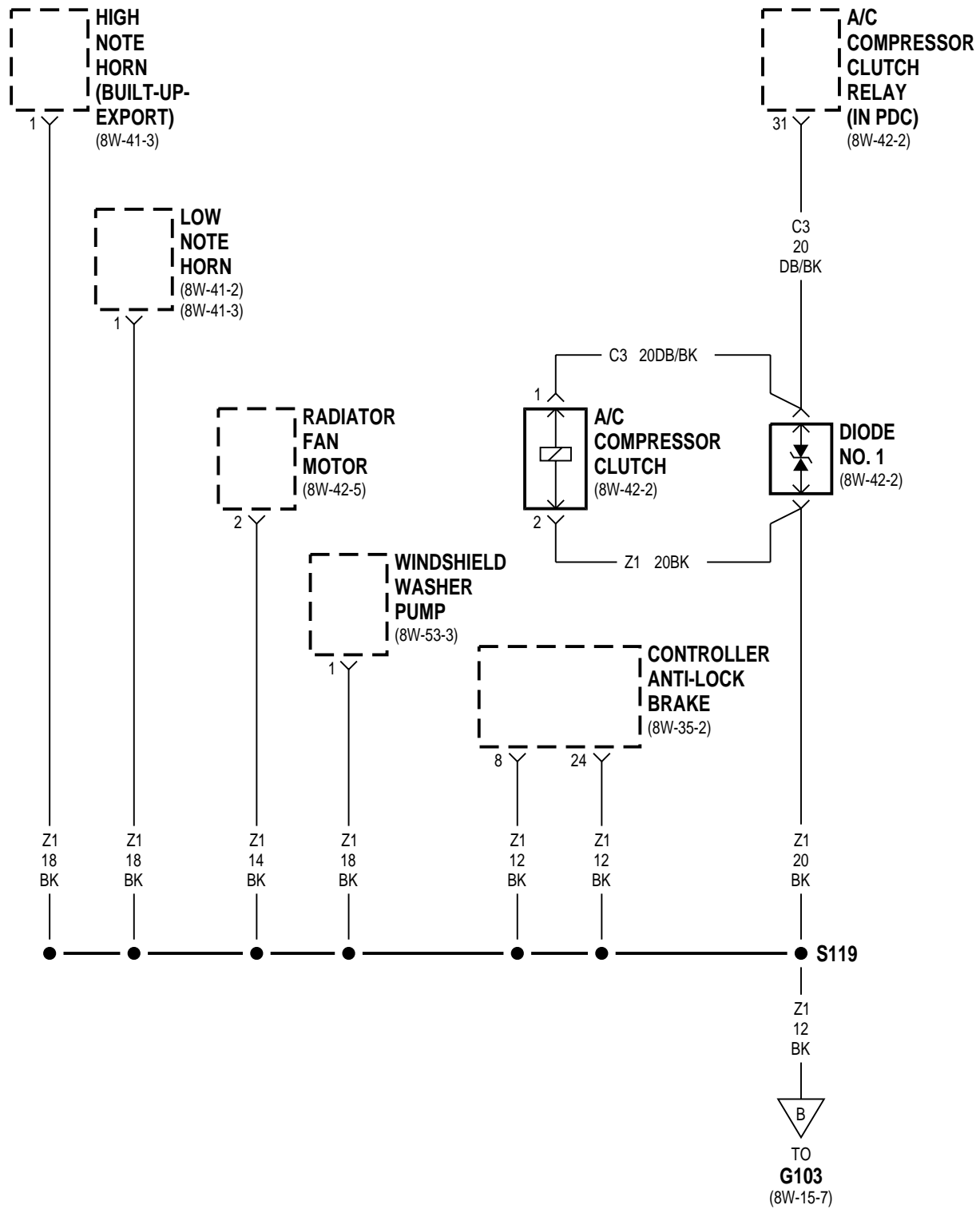
Component	Page	Component	Page
A/C Compressor Clutch	8W-15-5	Left Park/Turn Signal Lamp	8W-15-2
A/C Compressor Clutch Relay	8W-15-5	Left Rear Fog Lamp	8W-15-15
A/C Heater Control	8W-15-10	Left Rear Turn Signal Lamp	8W-15-13
Airbag Control Module	8W-15-8	Left Repeater Lamp	8W-15-2
Battery	8W-15-8	Left Tail/Stop Lamp	8W-15-13
Brake Lamp Switch	8W-15-4	Left Tail/Stop/Turn Signal Lamp	8W-15-12
Brake Warning Indicator Switch	8W-15-3	License Lamp	8W-15-14
Center High Mounted Stop Lamp	8W-15-12, 13	Low Note Horn	8W-15-5
Center Stack Lamp	8W-15-11	Map/Reading Lamps	8W-15-11
Cigar Lighter/Power Outlet	8W-15-11	Multi-Function Switch	8W-15-11
Clockspring	8W-15-8	Oxygen Sensor 1/2 Downstream	8W-15-3
Clutch Interlock Switch	8W-15-3	Passenger Cylinder Lock Switch	8W-15-9
Controller Anti-Lock Brake	8W-15-5	Passenger Door Lock Switch	8W-15-9
Data Link Connector	8W-15-4	Passenger Power Mirror	8W-15-9
Decklid Solenoid	8W-15-12, 13	Passenger Power Window Switch	8W-15-9
Diode No. 1	8W-15-5	Power Mirror Switch	8W-15-10
Dome Lamp/Intrusion Sensor	8W-15-13	Power Steering Pressure Switch	8W-15-4
Driver Cylinder Lock Switch	8W-15-9	Powertrain Control Module	8W-15-4
Driver Door Lock Switch	8W-15-9	PRNDL Lamp	8W-15-11
Driver Power Mirror	8W-15-10	Radiator Fan Motor	8W-15-5
Driver Power Window Switch	8W-15-9, 10	Radio	8W-15-8
Fuel Pump Module	8W-15-16	Rear Window Defogger	8W-15-12, 13
Fuel Tank	8W-15-16	Rear Window Defogger Switch	8W-15-8
G101	8W-15-2, 3	Remote Keyless Entry Module	8W-15-8, 11
G102	8W-15-4	Right Back-Up Lamp	8W-15-14, 15
G103	8W-15-5, 7	Right City Lamp	8W-15-7
G104	8W-15-8	Right Front Fog Lamp	8W-15-6
G105	8W-15-8	Right Front Side Marker Lamp	8W-15-7
G201	8W-15-8	Right Front Turn Signal Lamp	8W-15-7
G202	8W-15-8	Right Headlamp	8W-15-7
G203	8W-15-9, 10	Right Headlamp Leveling Motor	8W-15-7
G204	8W-15-11	Right License Lamp	8W-15-15
G301	8W-15-12, 13	Right Park/Turn Signal Lamp	8W-15-7
G302	8W-15-14, 15	Right Rear Fog Lamp	8W-15-15
G303	8W-15-16	Right Rear Turn Signal Lamp	8W-15-15
G304	8W-15-12, 13	Right Repeater Lamp	8W-15-7
Glove Box Lamp/Switch	8W-15-11	Right Tail/Stop Lamp	8W-15-15
Headlamp Leveling Switch	8W-15-11	Right Tail/Stop/Turn Signal Lamp	8W-15-14
High Note Horn	8W-15-5, 6	Seat Belt Switch	8W-15-12, 13
Hood Ajar Switch	8W-15-7	Sentry Key Immobilizer Module	8W-15-8
Instrument Cluster	8W-15-11	Siren	8W-15-7
Left Back-Up Lamp	8W-15-12, 13	Sunroof Control Module	8W-15-11
Left City Lamp	8W-15-2	Traction Control Switch	8W-15-11
Left Front Fog Lamp	8W-15-6	Trunk Key Cylinder Switch	8W-15-12, 13
Left Front Side Marker Lamp	8W-15-2	Underhood Lamp	8W-15-3
Left Front Turn Signal Lamp	8W-15-2	Vehicle Speed Control Servo	8W-15-3
Left Headlamp	8W-15-2	Windshield Washer Pump	8W-15-5
Left Headlamp Leveling Motor	8W-15-2	Wipe/Wash Switch	8W-15-8
Left License Lamp	8W-15-15	Wiper Motor	8W-15-11

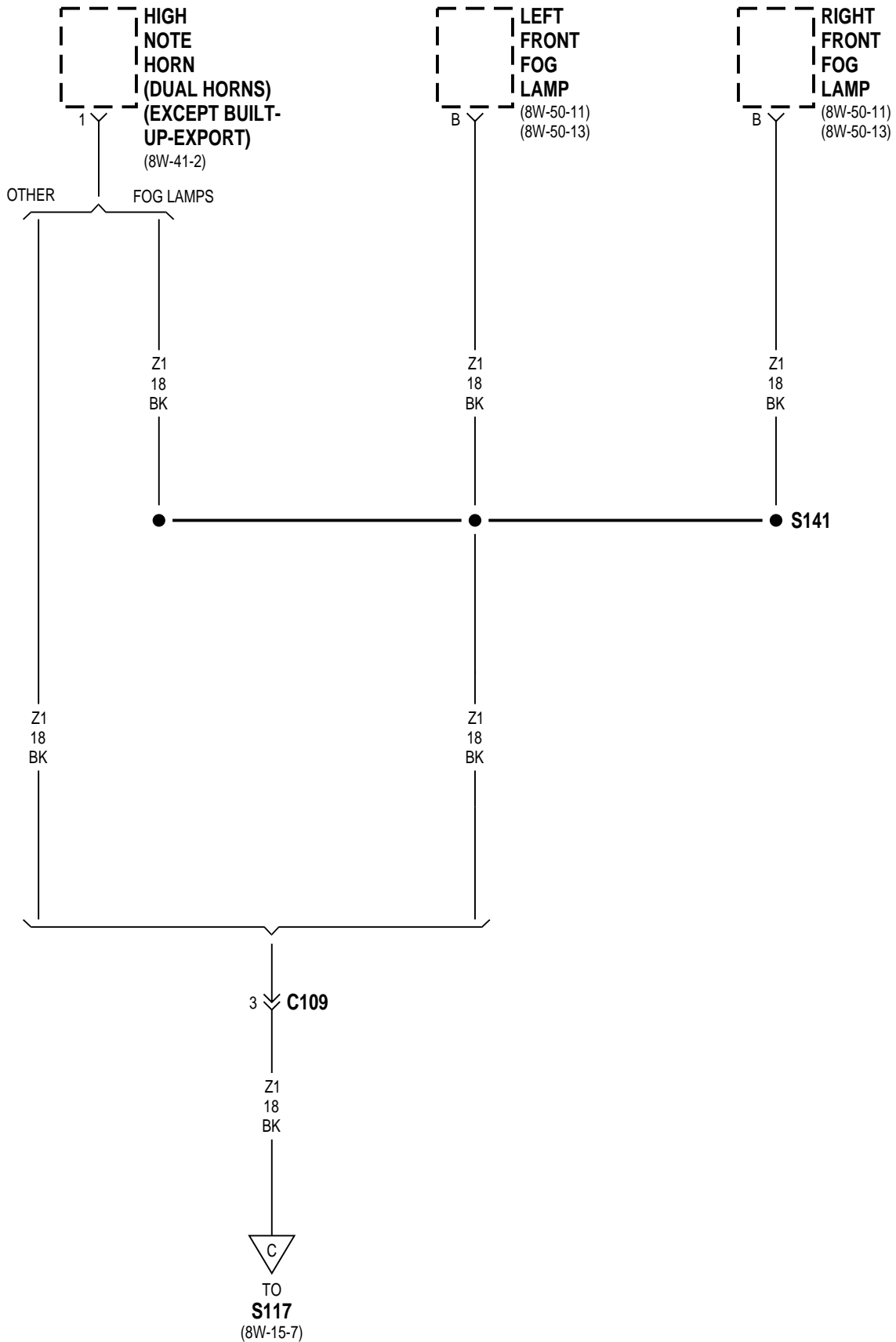


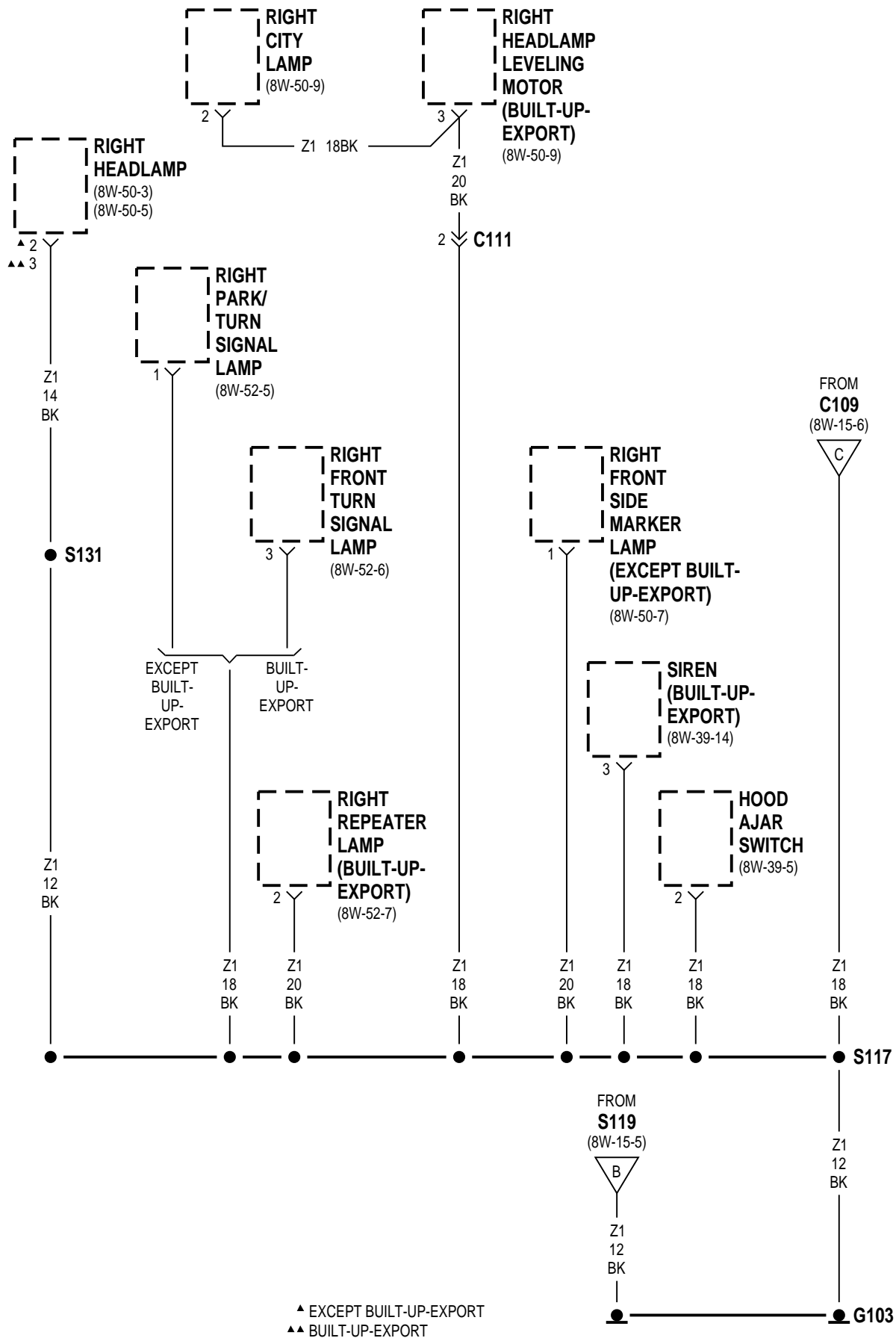
▲ EXCEPT BUILT-UP-EXPORT
▲▲ BUILT-UP-EXPORT

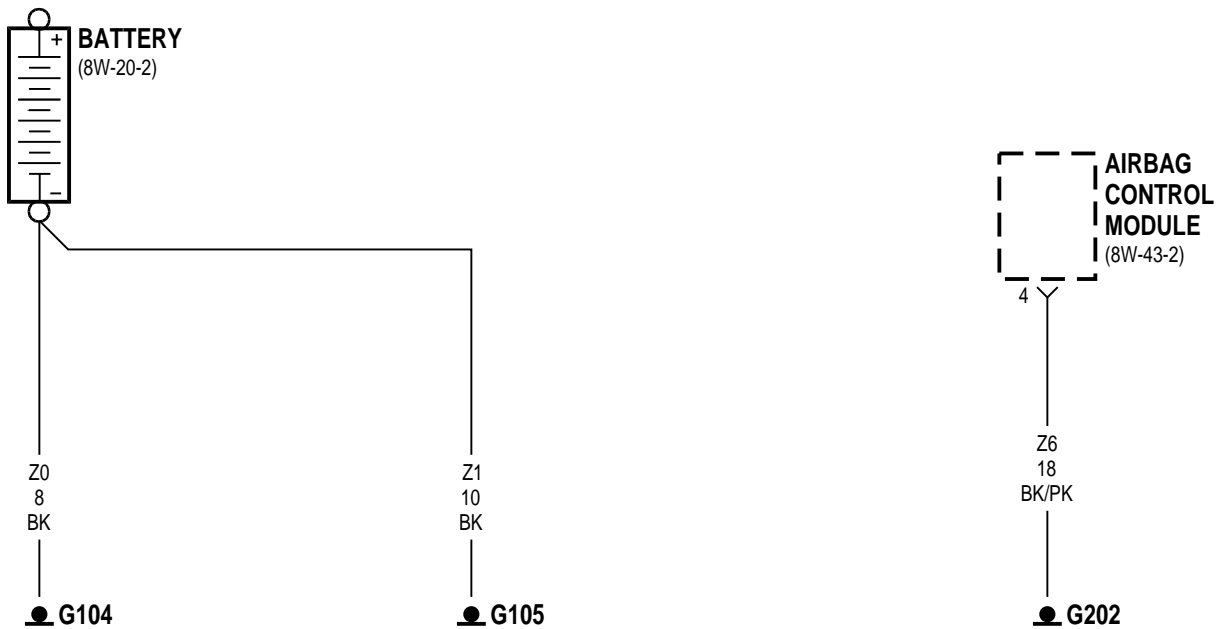
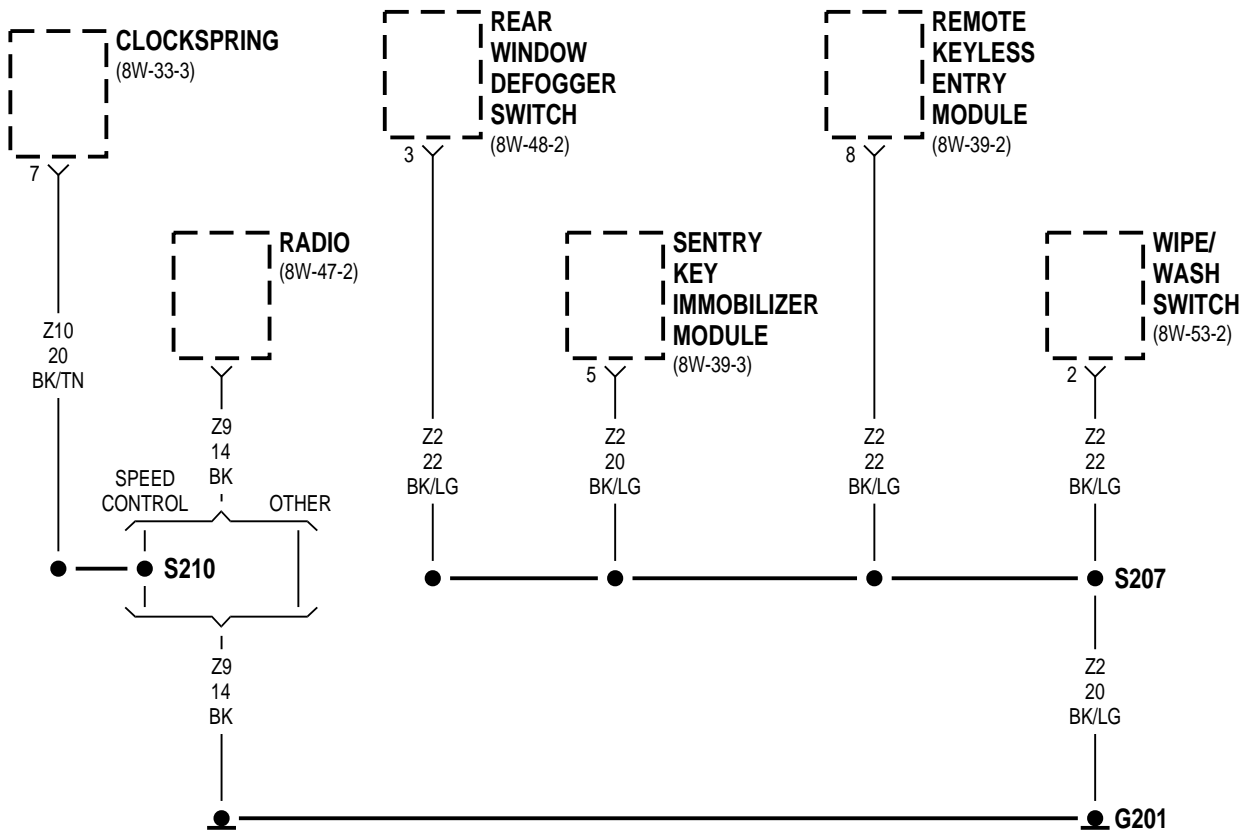


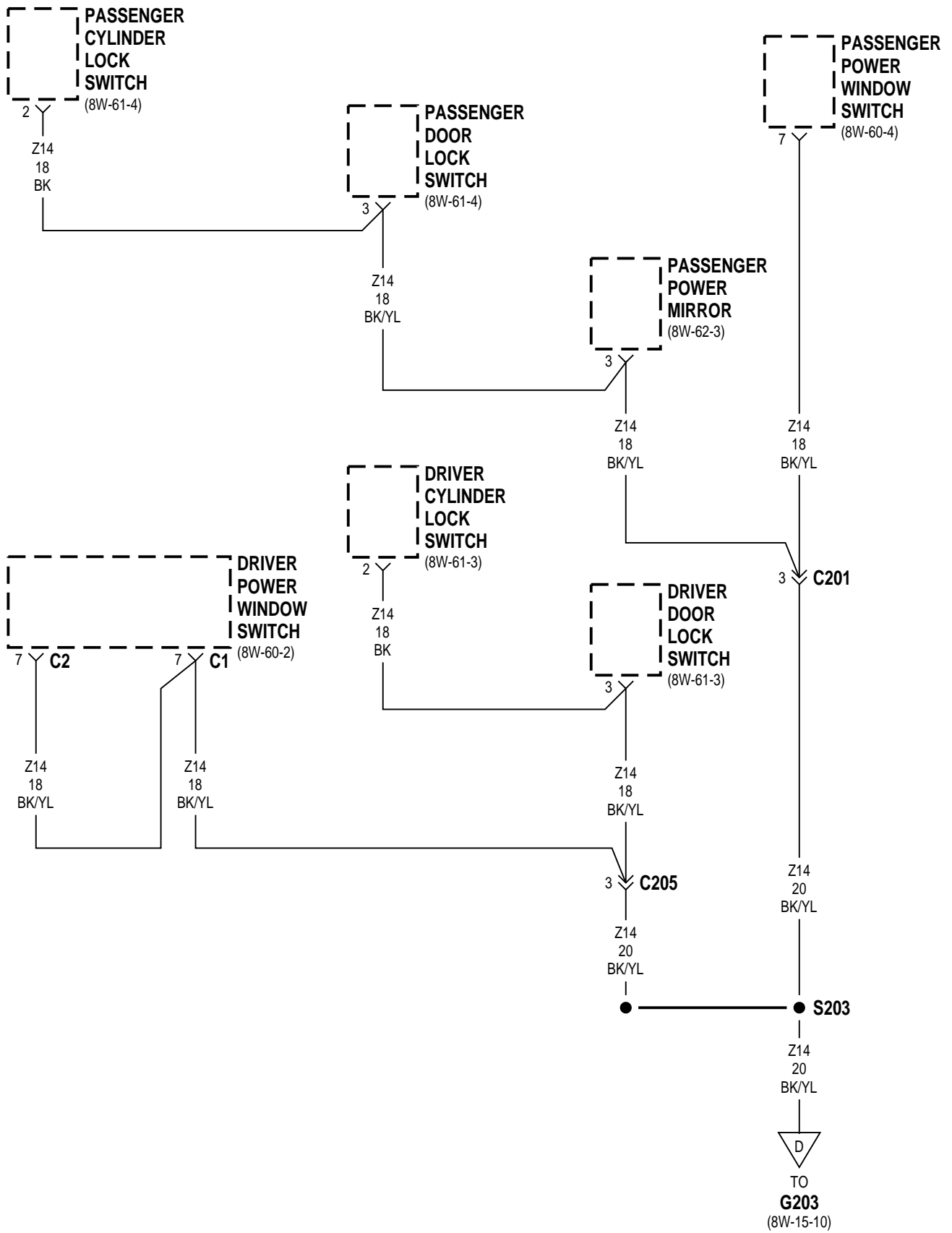


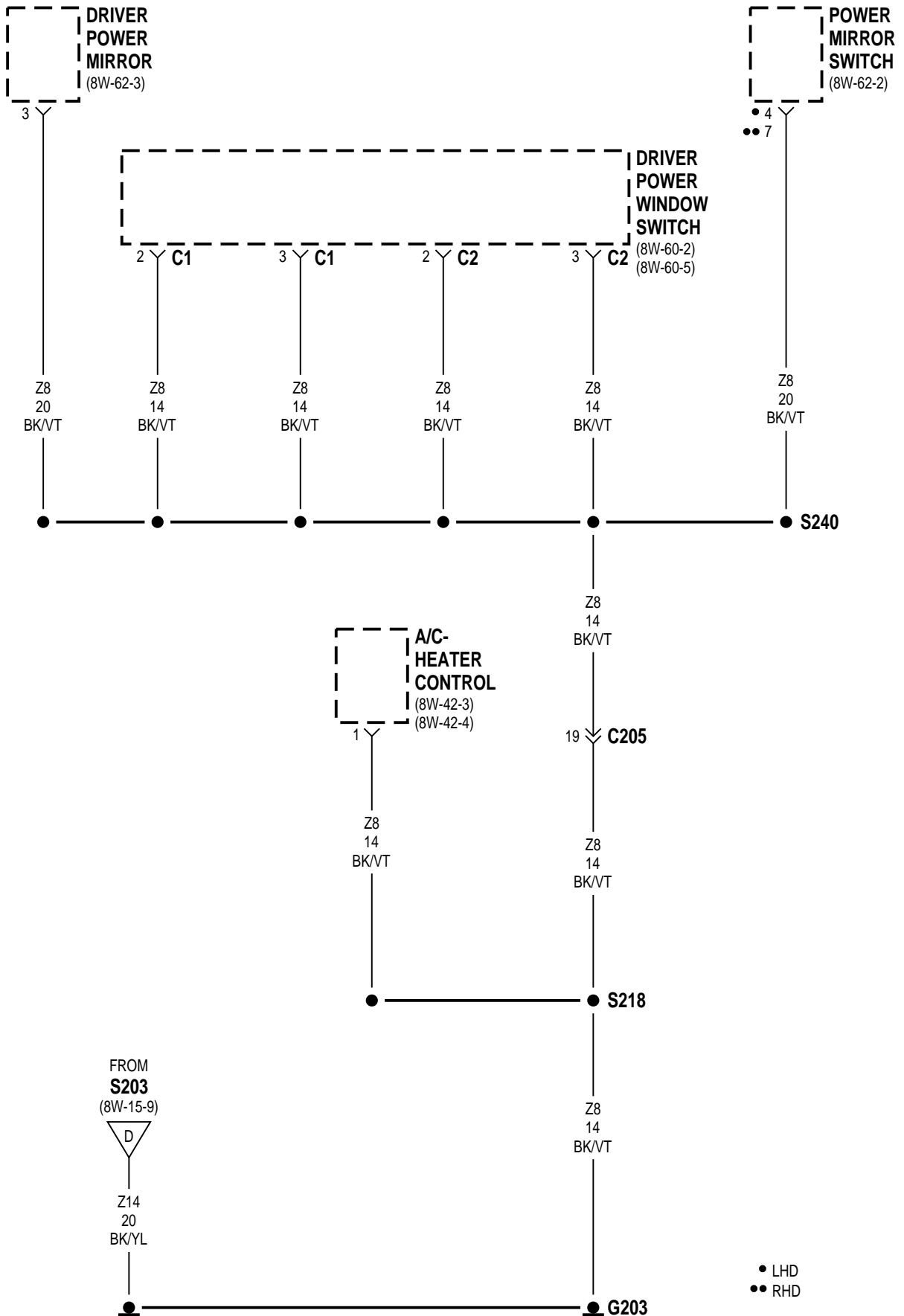


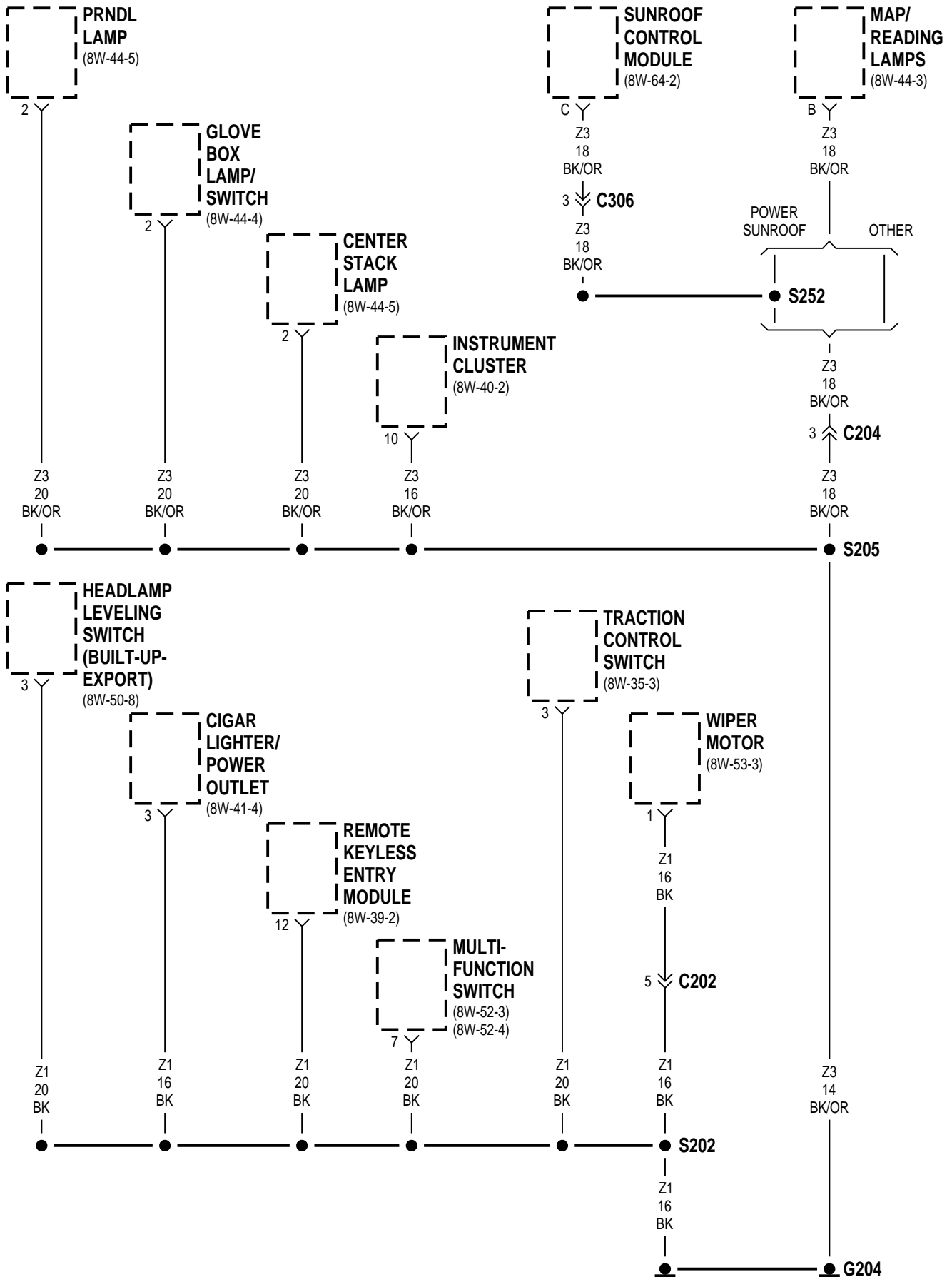


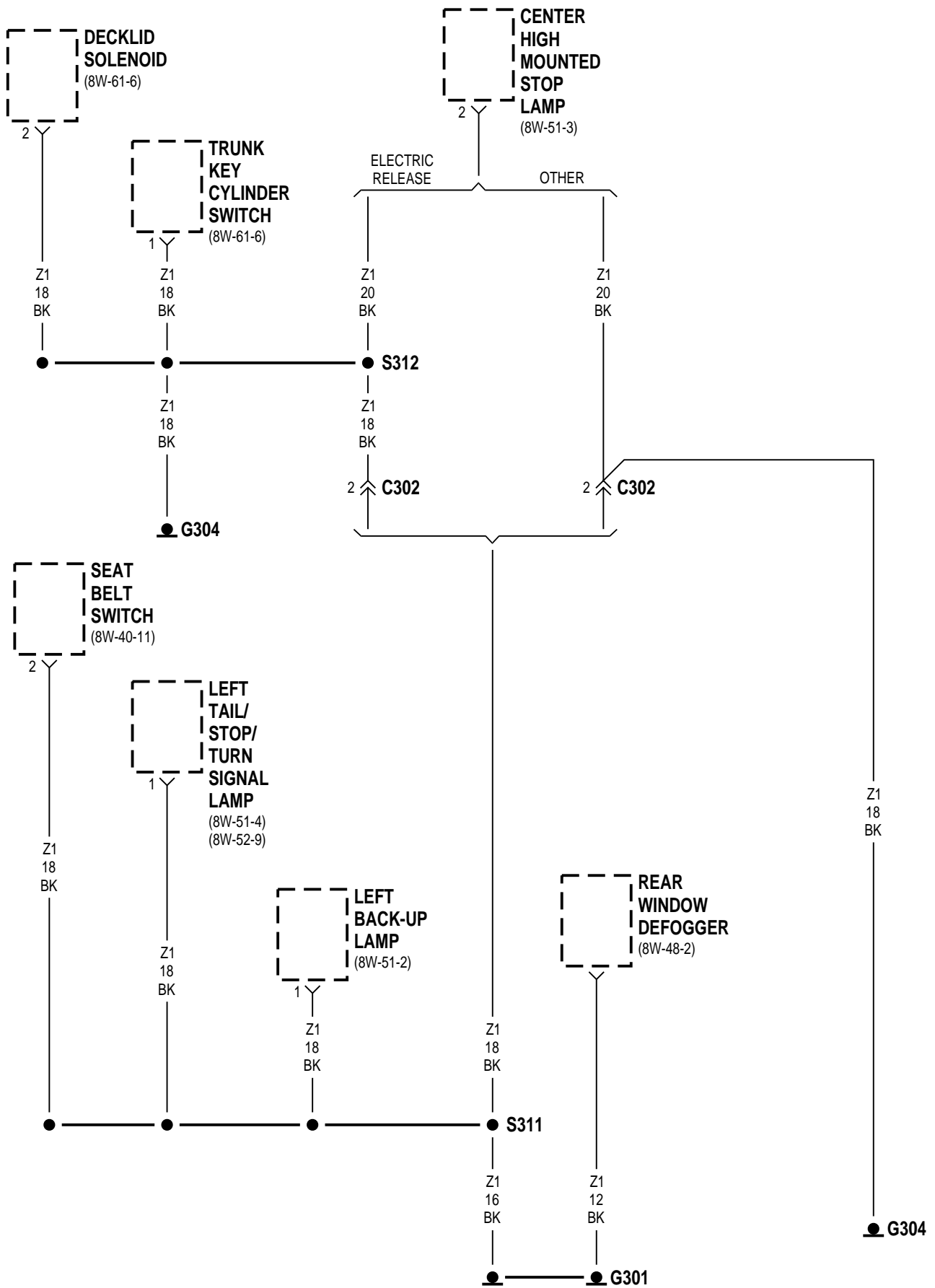




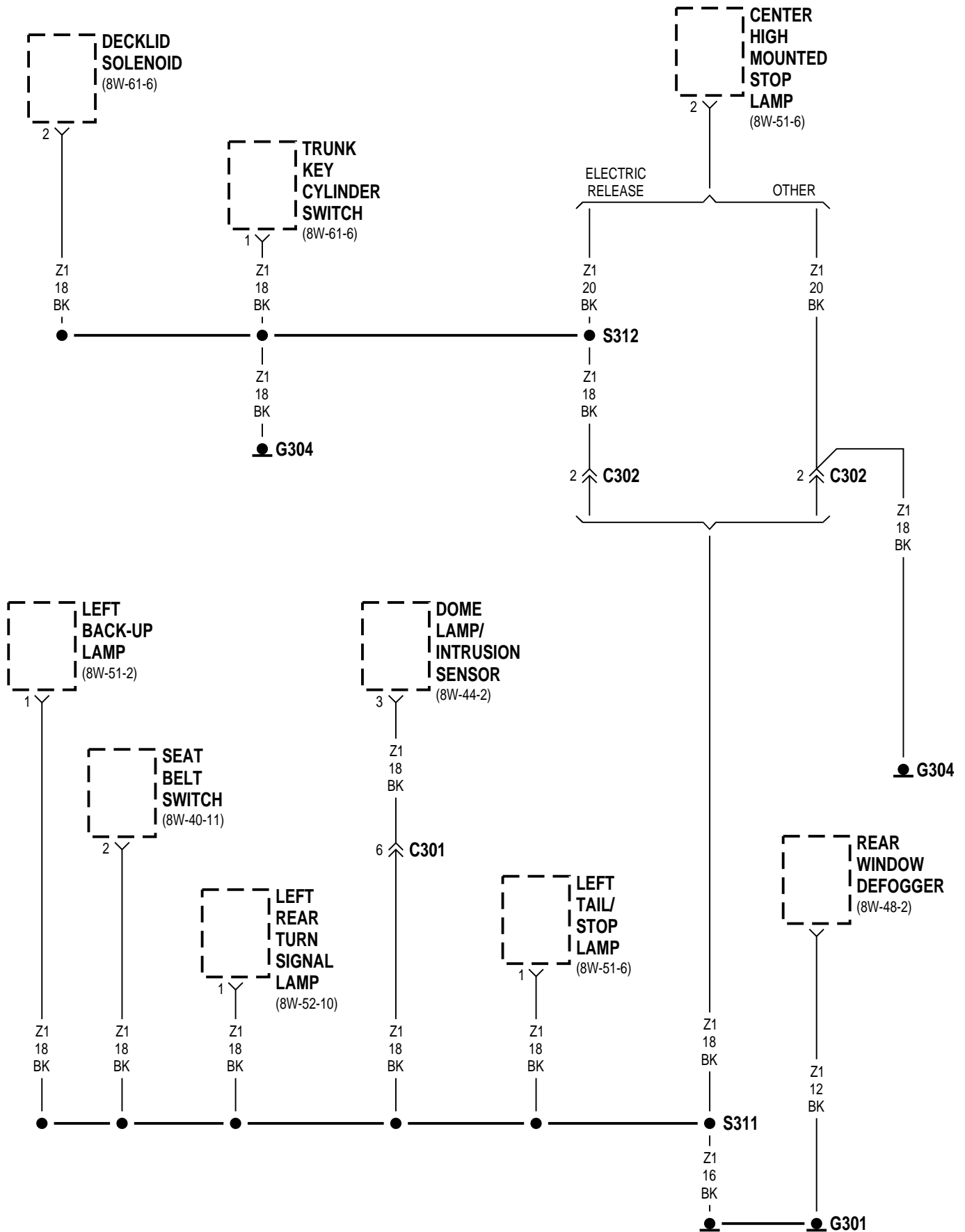


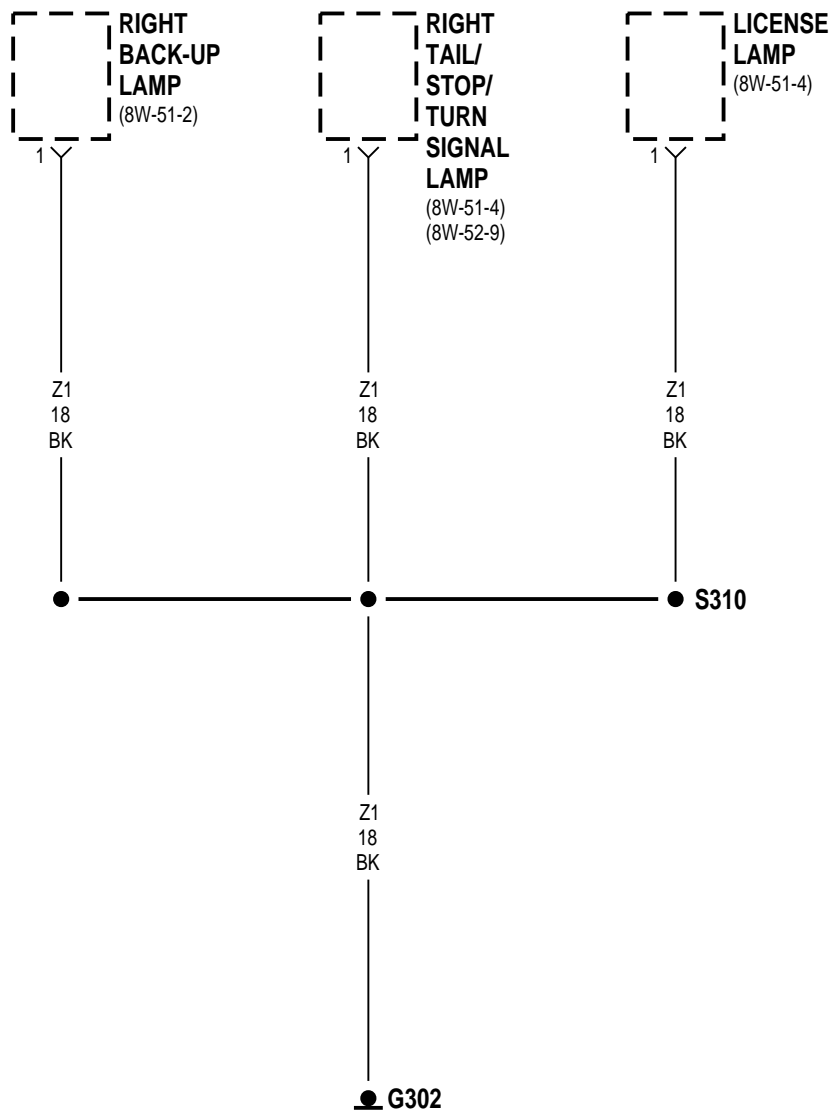


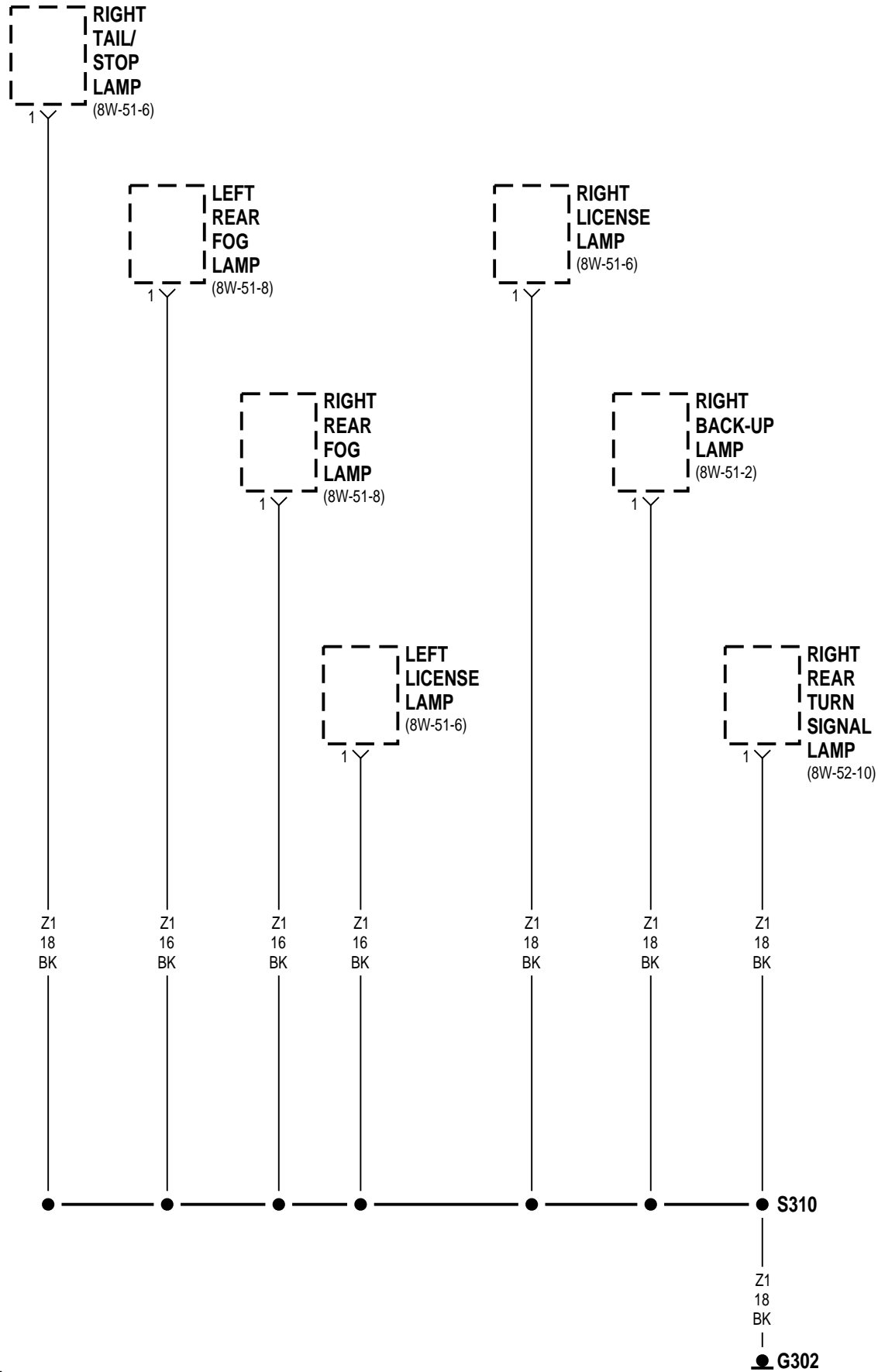


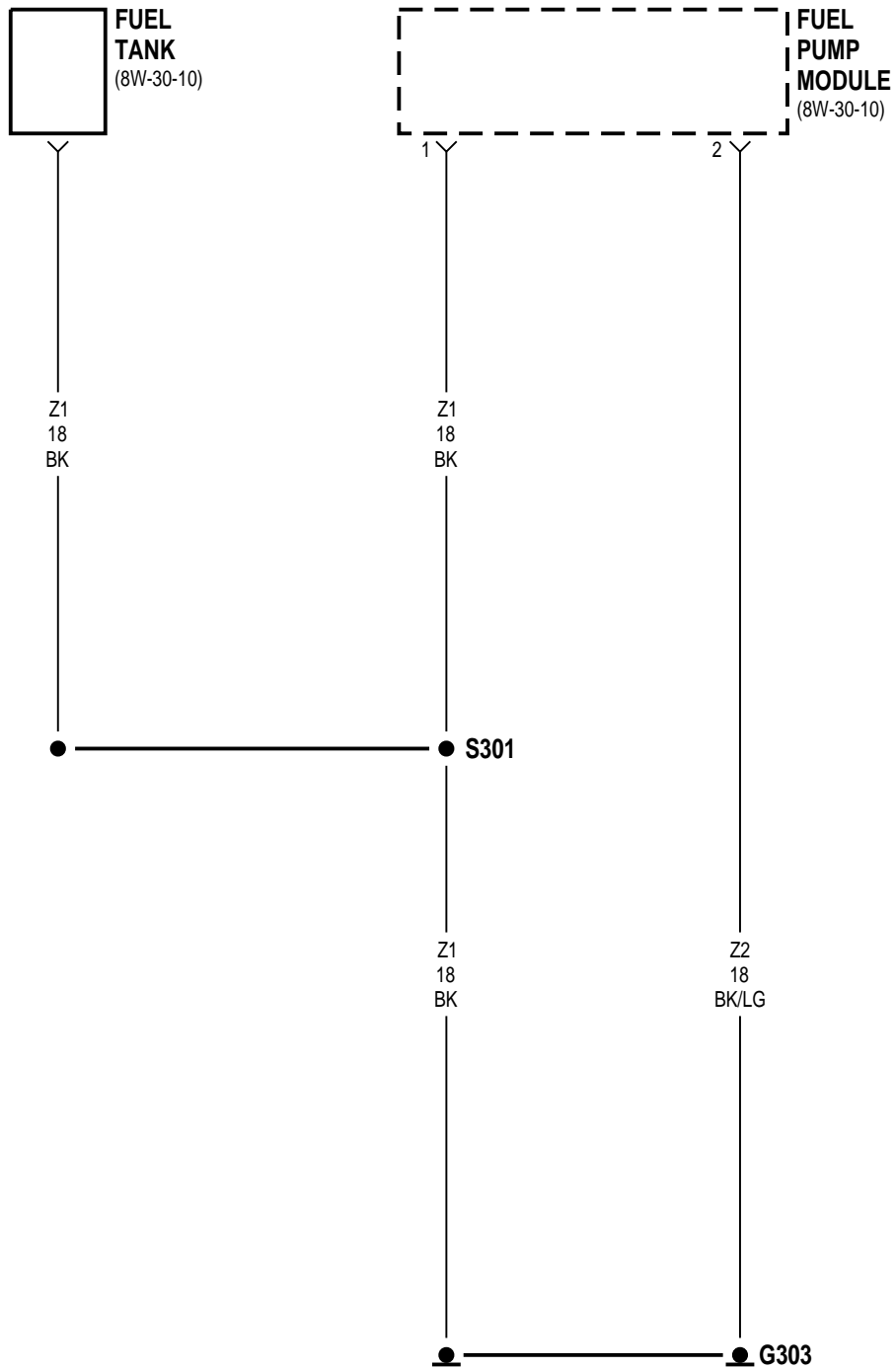


PL 8W-15 GROUND DISTRIBUTION 8W - 15 - 13
BUILT-UP-EXPORT



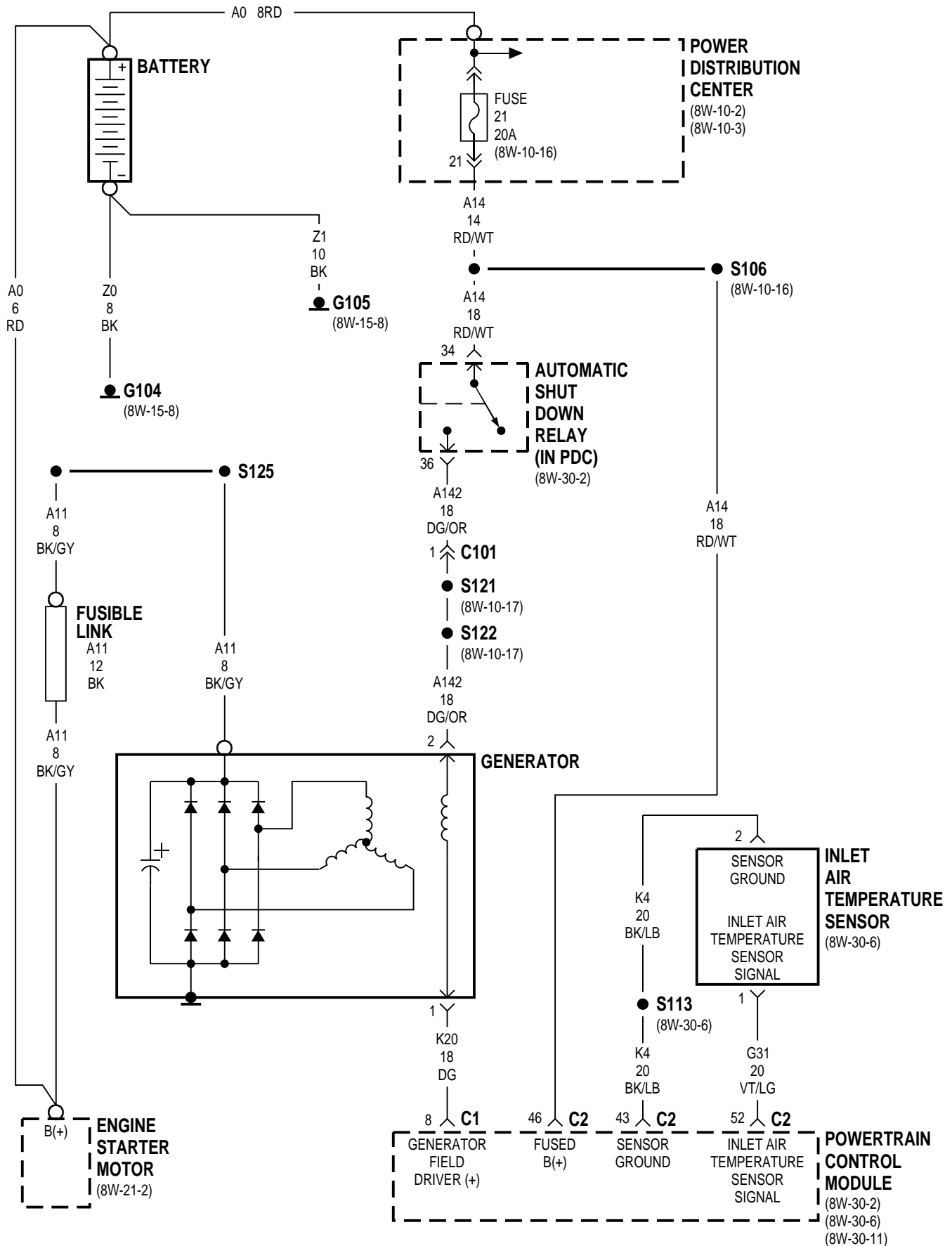






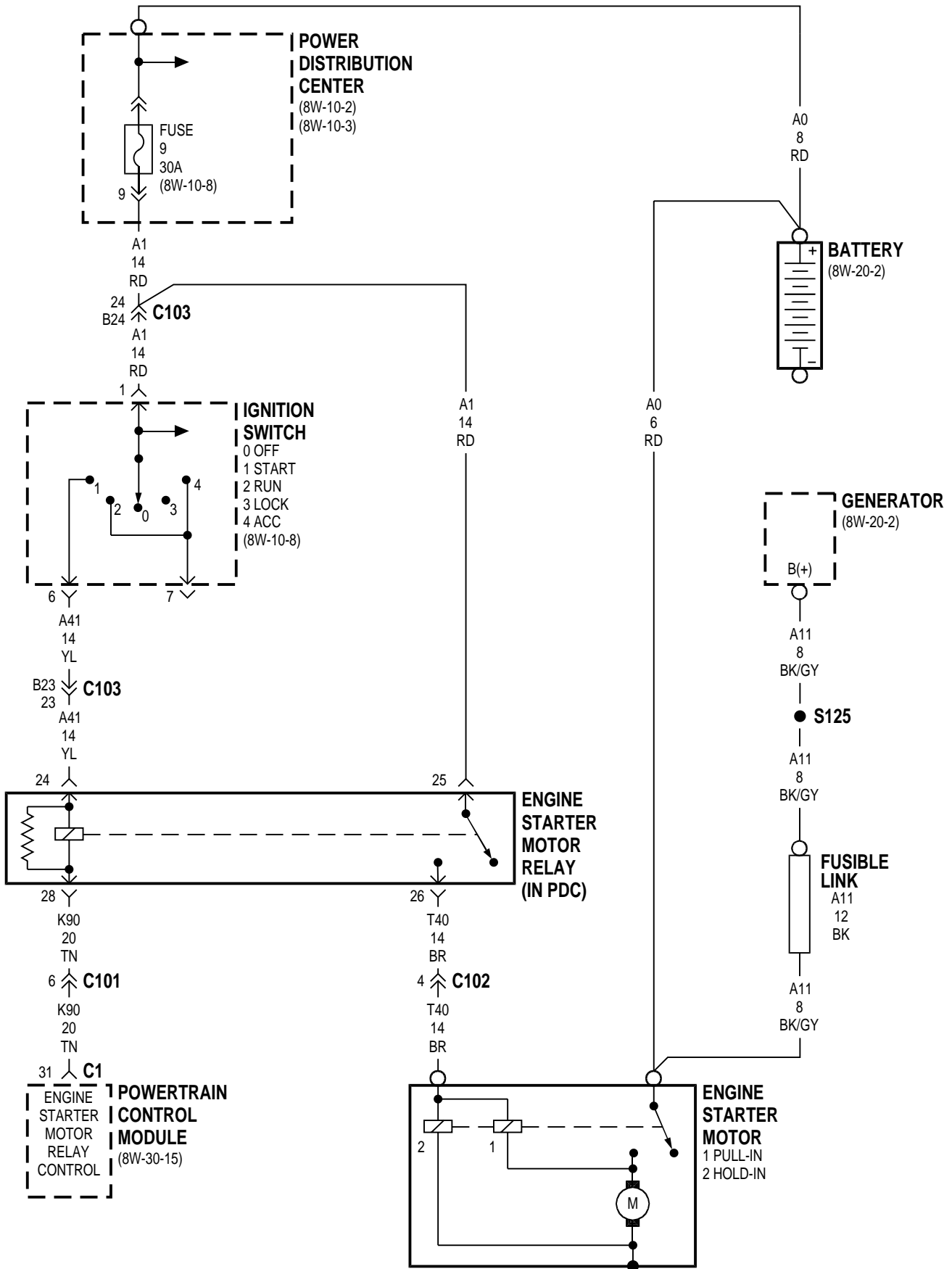
8W-20 CHARGING SYSTEM

Component	Page	Component	Page
Automatic Shut Down Relay	8W-20-2	G105	8W-20-2
Battery	8W-20-2	Generator	8W-20-2
Engine Starter Motor	8W-20-2	Inlet Air Temperature Sensor	8W-20-2
Fuse 21 (PDC)	8W-20-2	Power Distribution Center	8W-20-2
Fusible Link	8W-20-2	Powertrain Control Module	8W-20-2
G104	8W-20-2		



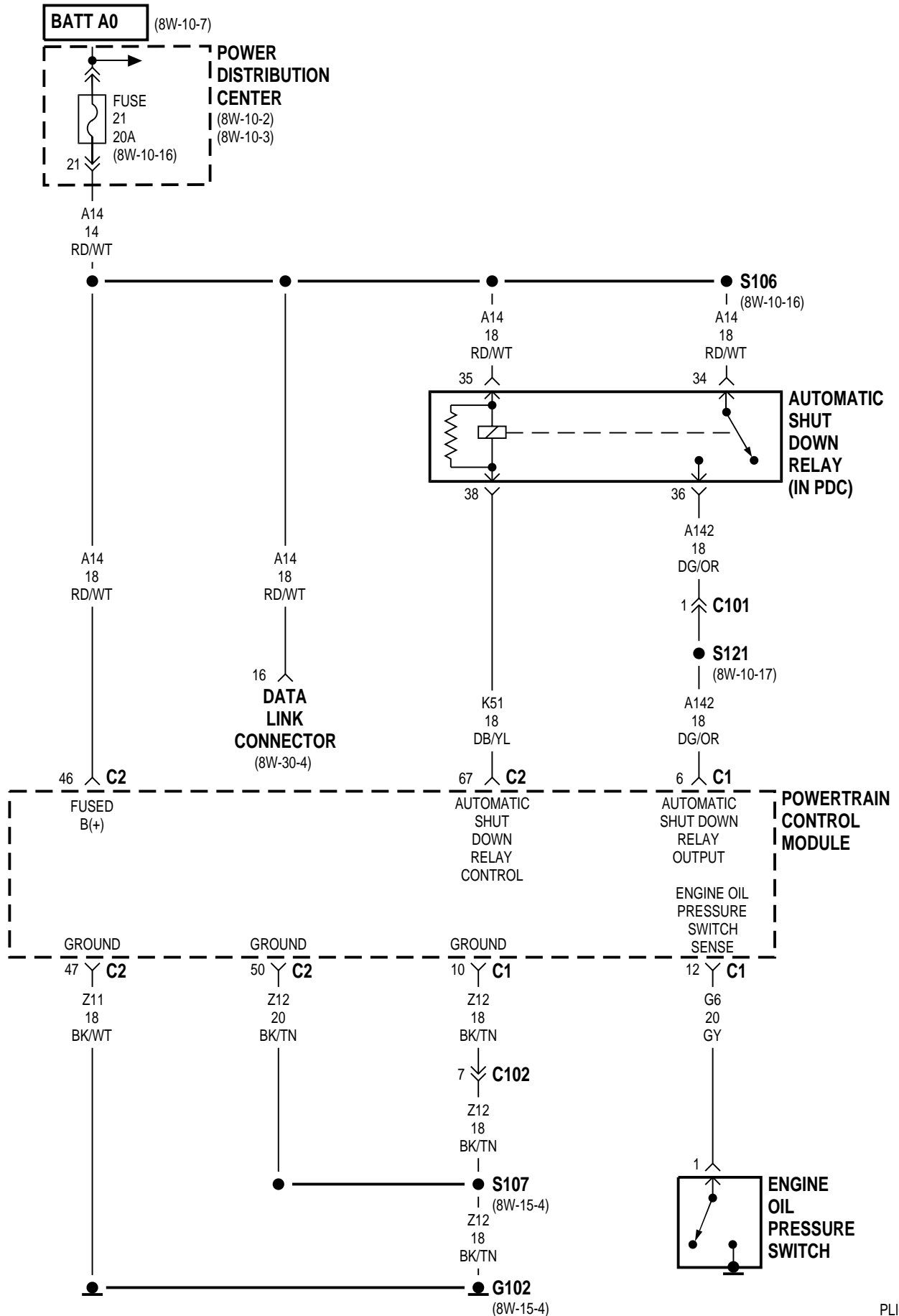
8W-21 STARTING SYSTEM

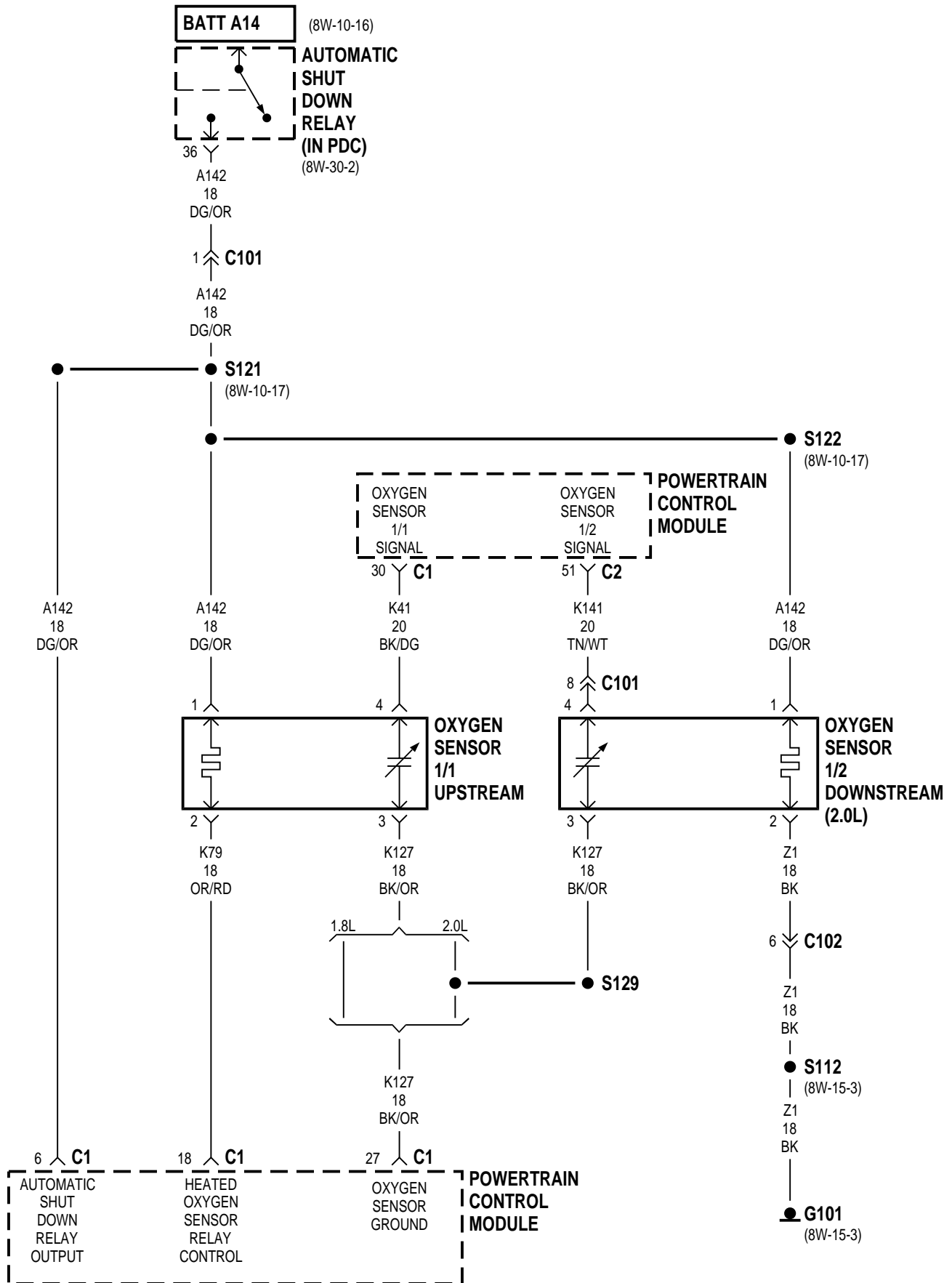
Component	Page	Component	Page
Battery	8W-21-2	Generator	8W-21-2
Engine Starter Motor	8W-21-2	Ignition Switch	8W-21-2
Engine Starter Motor Relay	8W-21-2	Power Distribution Center	8W-21-2
Fuse 9 (PDC)	8W-21-2	Powertrain Control Module	8W-21-2
Fusible Link A11	8W-21-2		

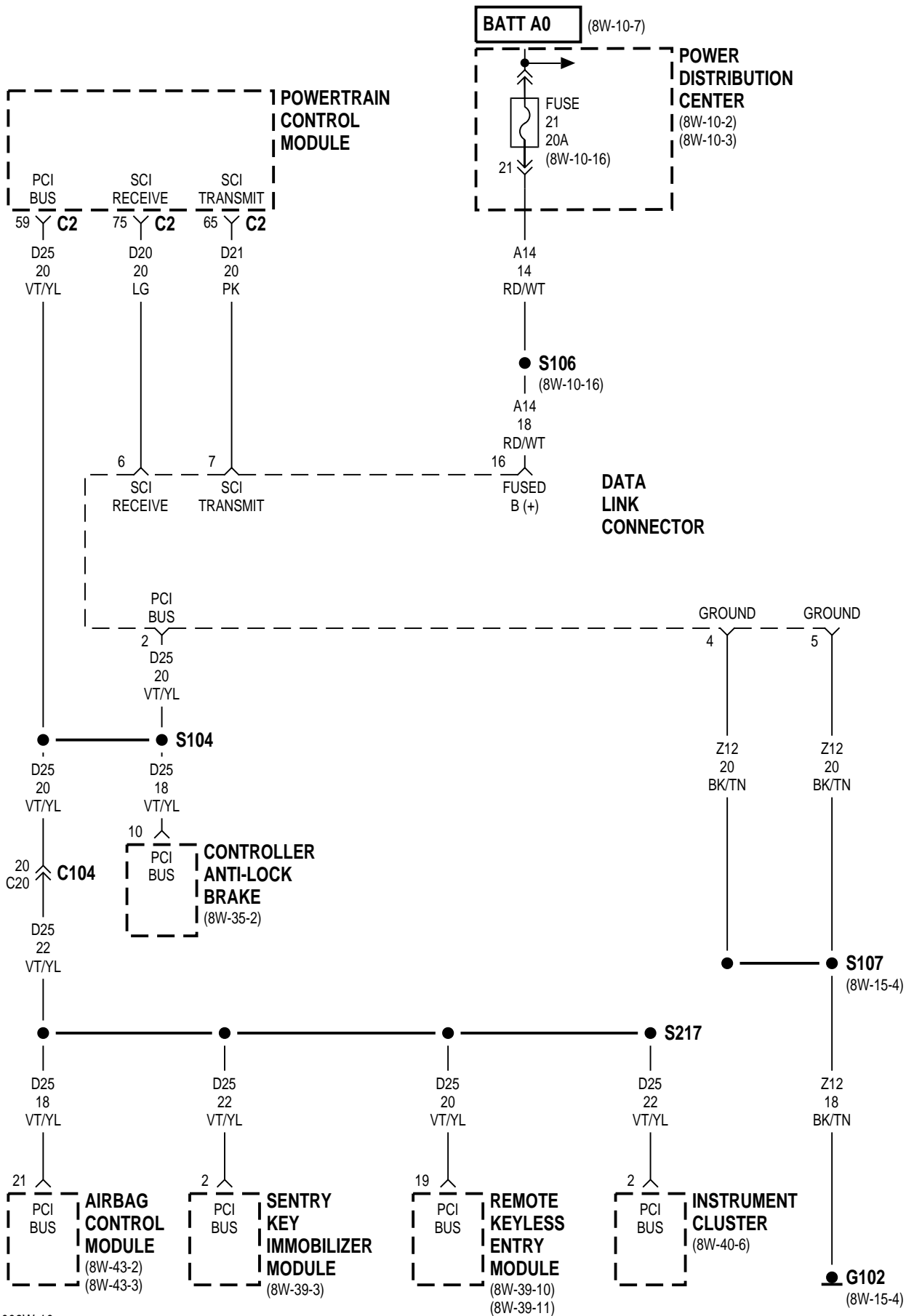


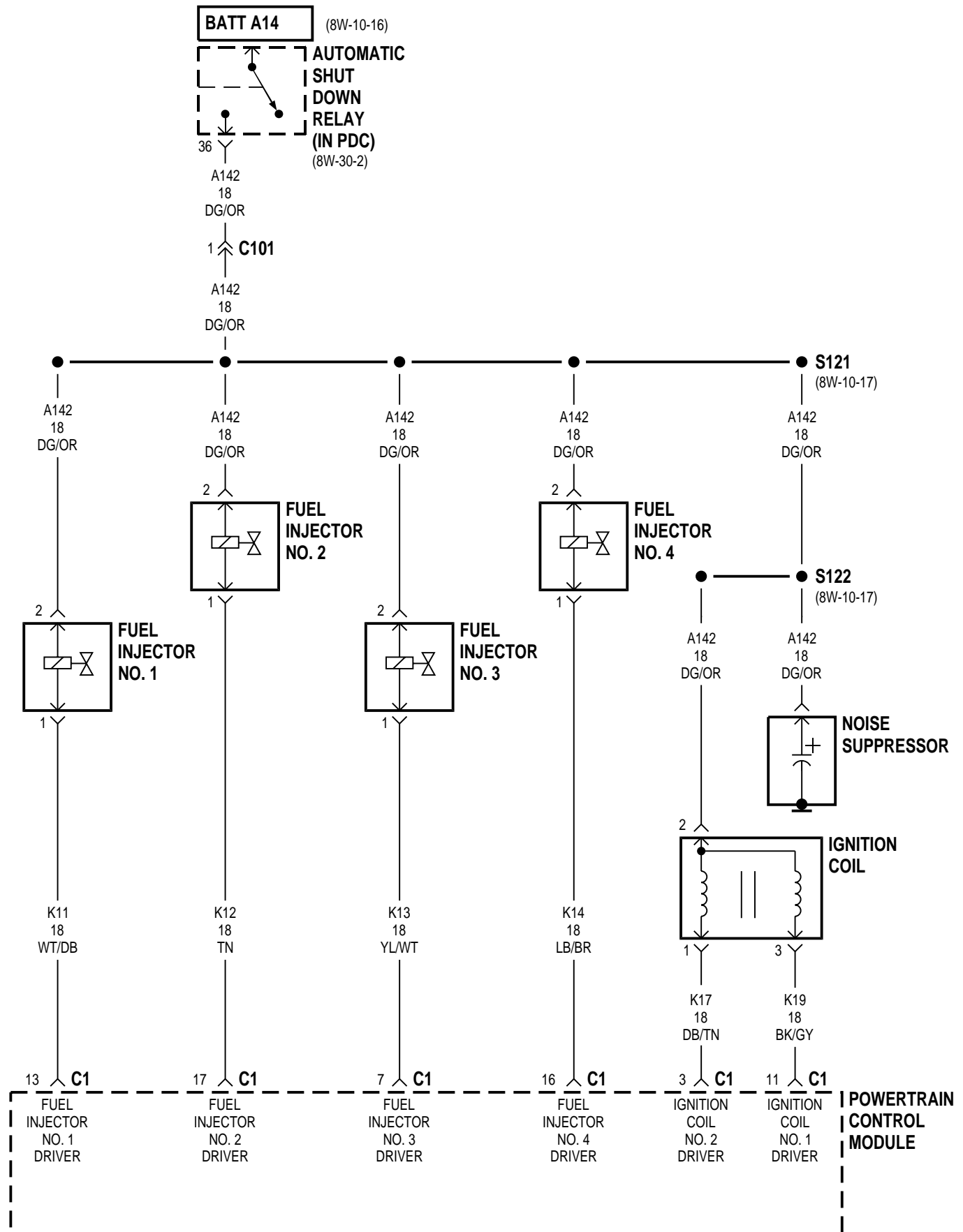
8W-30 FUEL/IGNITION SYSTEM

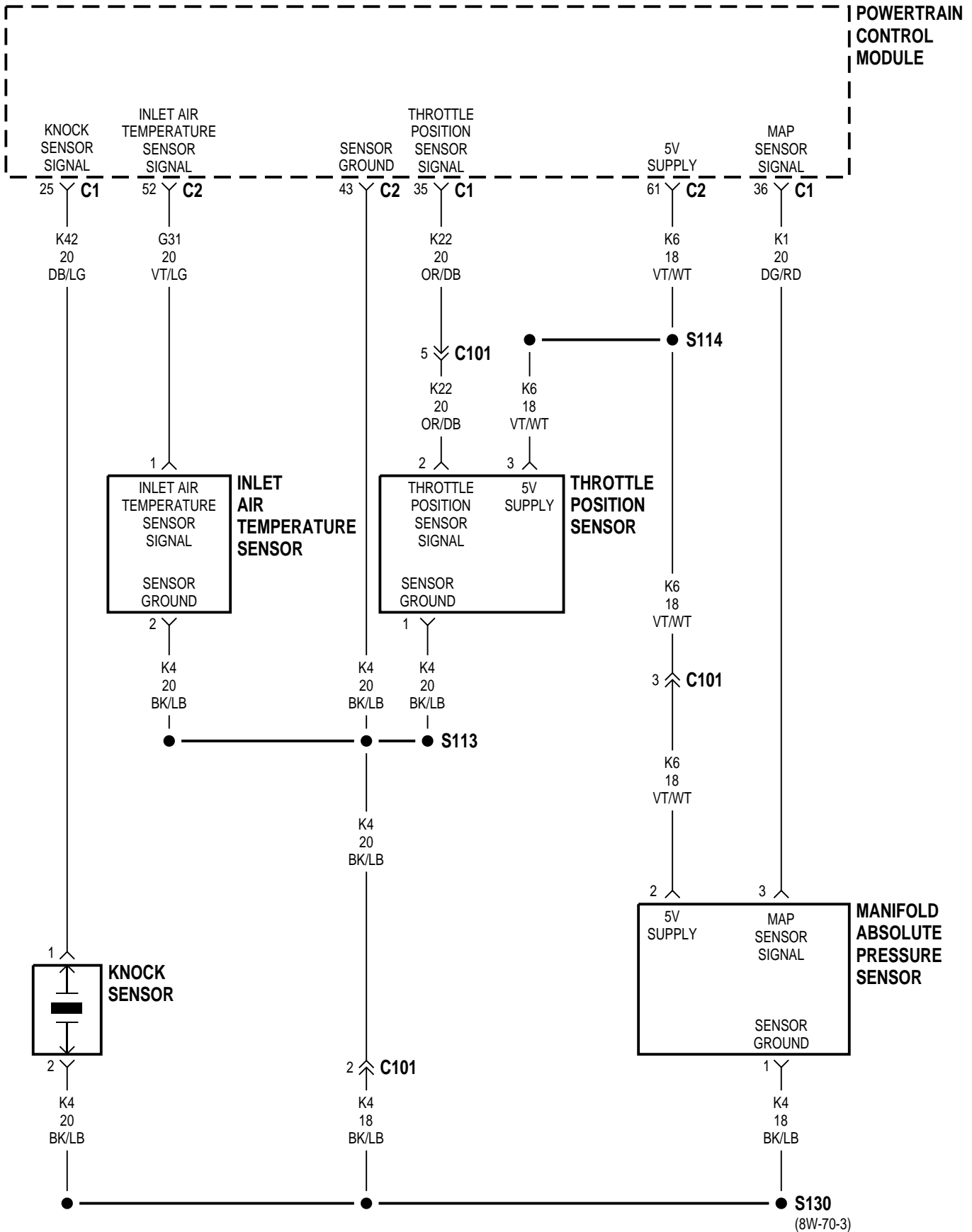
Component	Page	Component	Page
A/C Compressor Clutch Relay	8W-30-9	G102	8W-30-2, 4, 13, 15
A/C High Pressure Switch	8W-30-11	G201	8W-30-12
Airbag Control Module	8W-30-4	G303	8W-30-10
Automatic Shut Down Relay	8W-30-2, 3, 5	Generator	8W-30-11
Brake Lamp Switch	8W-30-12, 13, 14	Idle Air Control Motor	8W-30-8
Brake Shift Interlock Solenoid	8W-30-13	Ignition Coil	8W-30-5
Brake Warning Indicator Switch	8W-30-13	Inlet Air Temperature Sensor	8W-30-6
Camshaft Position Sensor	8W-30-7	Instrument Cluster	8W-30-4, 10
Center High Mounted Stop Lamp	8W-30-14	Knock Sensor	8W-30-6
Clockspring	8W-30-12	Leak Detection Pump	8W-30-9
Clutch Interlock Switch	8W-30-15	Left Tail/Stop Lamp	8W-30-14
Controller Anti-Lock Brake	8W-30-4, 13	Manifold Absolute Pressure Sensor	8W-30-6
Crankshaft Position Sensor	8W-30-7	Multi-Function Switch	8W-30-14
Data Link Connector	8W-30-2, 4	Noise Suppressor	8W-30-5
Engine Coolant Temperature Sensor	8W-30-7	Oxygen Sensor 1/1 Upstream	8W-30-3
Engine Oil Pressure Switch	8W-30-2	Oxygen Sensor 1/2 Downstream	8W-30-3
Engine Starter Motor Relay	8W-30-15	Park/Neutral Position Switch	8W-30-15
Fuel Injector No. 1	8W-30-5	Power Distribution Center	8W-30-2, 4, 10, 13
Fuel Injector No. 2	8W-30-5	Power Steering Pressure Switch	8W-30-15
Fuel Injector No. 3	8W-30-5	Powertrain Control Module	8W-30-2, 3, 4, 5, 6, 7, 8, 9, 10, 11, 12, 13, 15
Fuel Injector No. 4	8W-30-5	Proportional Evap/Purge Solenoid	8W-30-15
Fuel Pump Module	8W-30-10	Radiator Fan Relay	8W-30-9
Fuel Pump Relay	8W-30-10	Remote Keyless Entry Module	8W-30-4
Fuel Tank	8W-30-10	Right Tail/Stop Lamp	8W-30-14
Fuse 6 (FB)	8W-30-13	Sentry Key Immobilizer Module	8W-30-4
Fuse 7 (FB)	8W-30-13	Throttle Position Sensor	8W-30-6
Fuse 10 (FB)	8W-30-9, 10	Torque Converter Clutch Solenoid	8W-30-9
Fuse 11 (FB)	8W-30-9, 10	Vehicle Speed Control Servo	8W-30-12, 13
Fuse 21 (PDC)	8W-30-2, 4, 10	Vehicle Speed Control Switch	8W-30-12
Fuse 23 (PDC)	8W-30-13	Vehicle Speed Sensor	8W-30-8
Fuse Block	8W-30-9, 10, 13		
G101	8W-30-3, 12, 15		

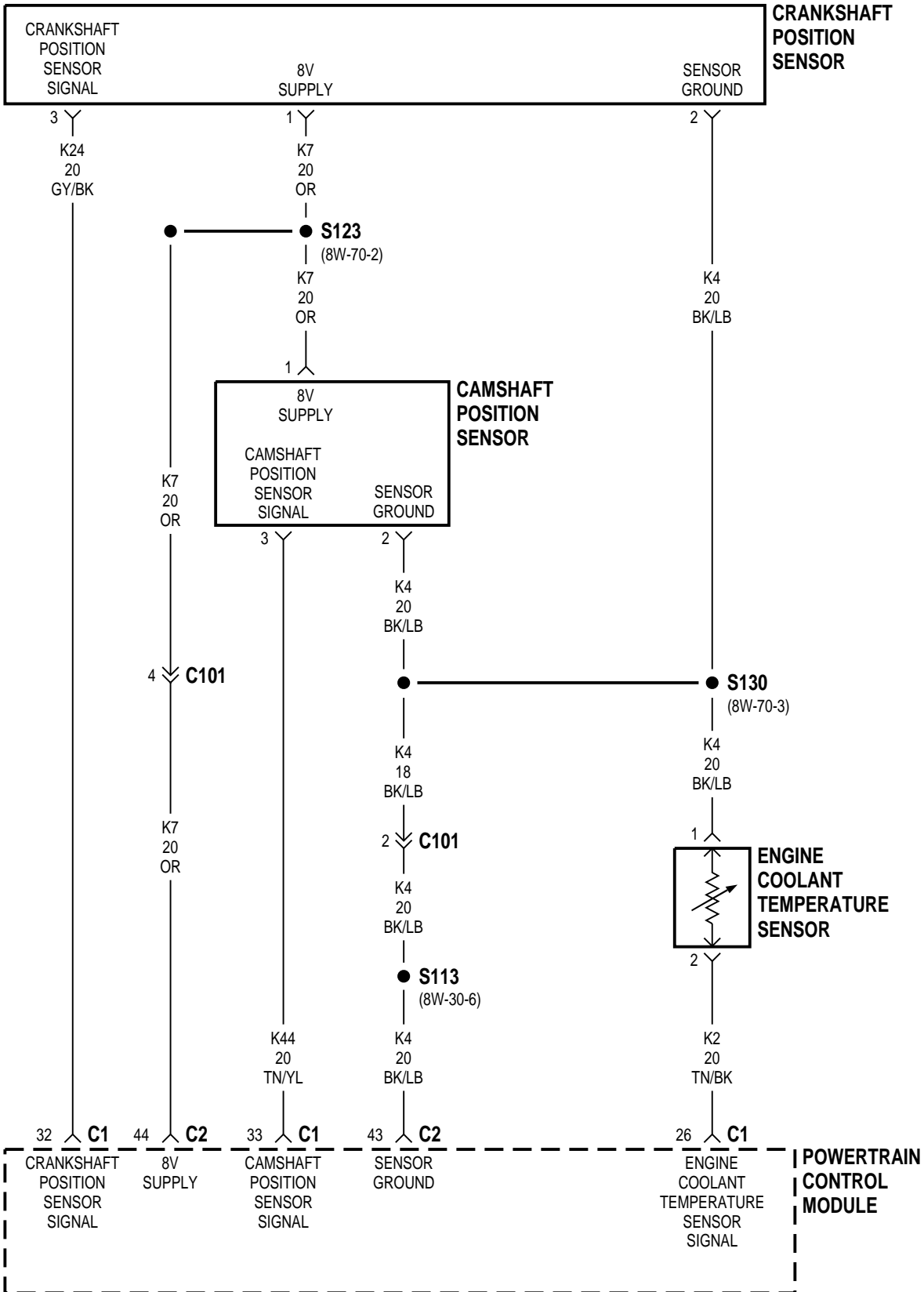


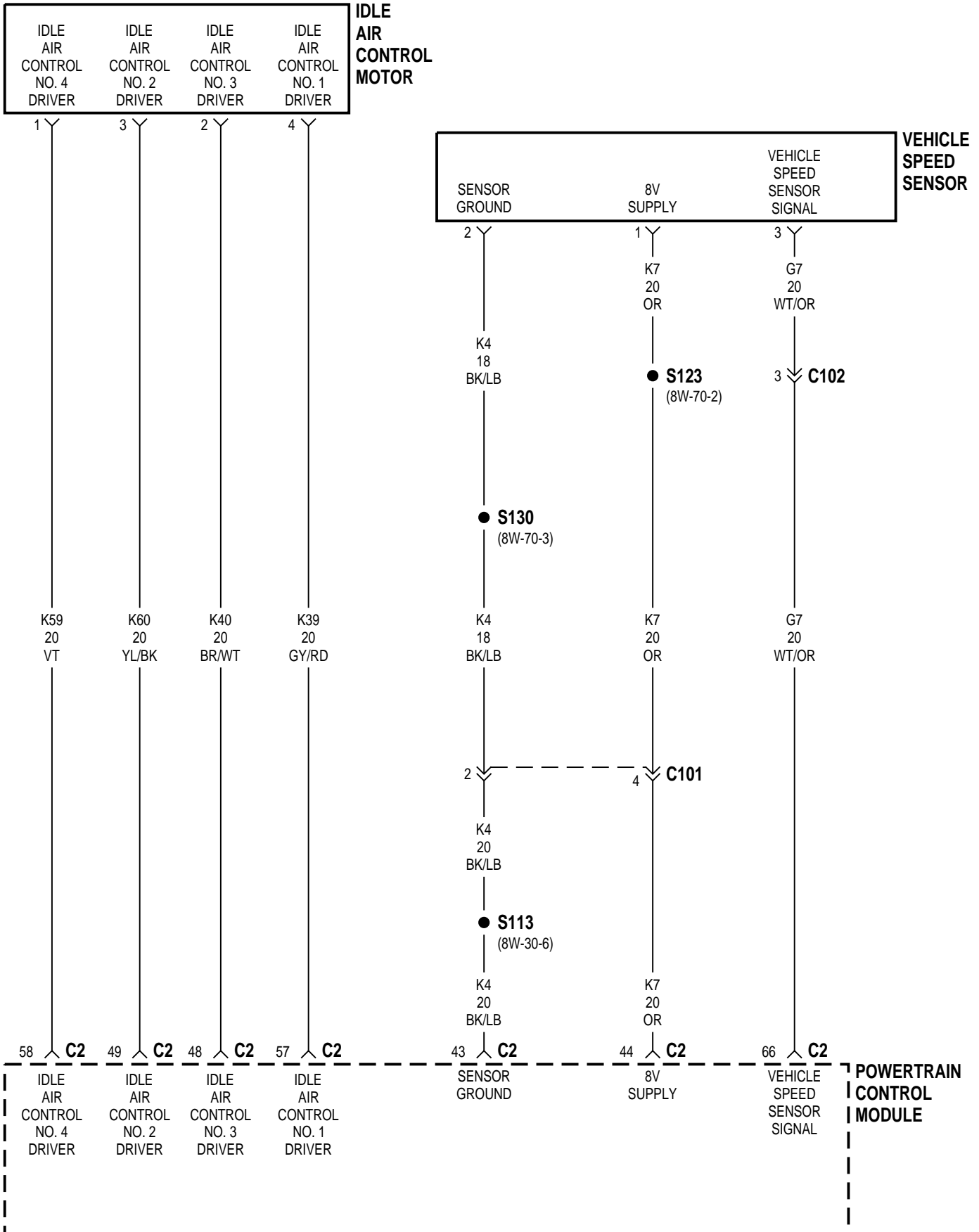


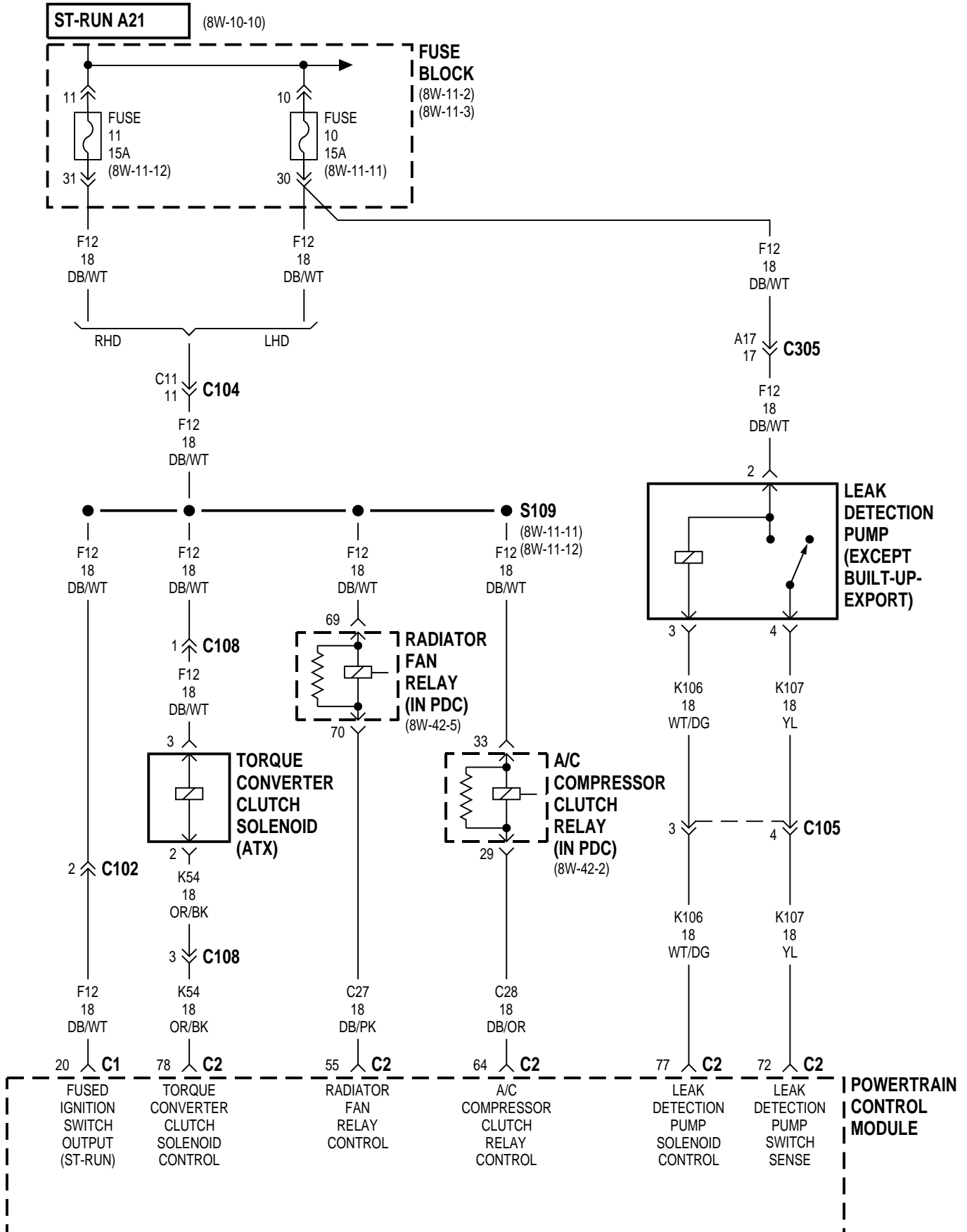


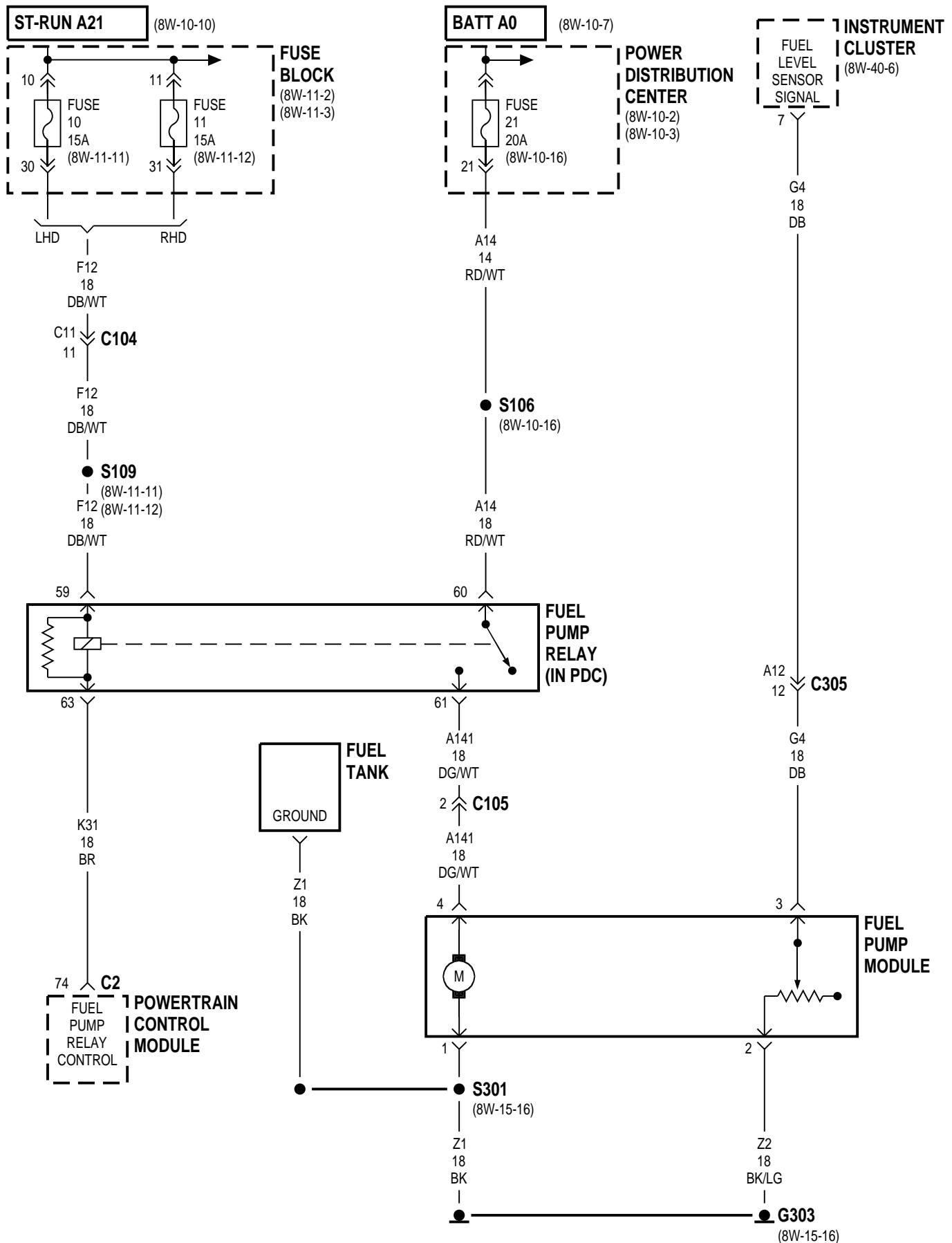


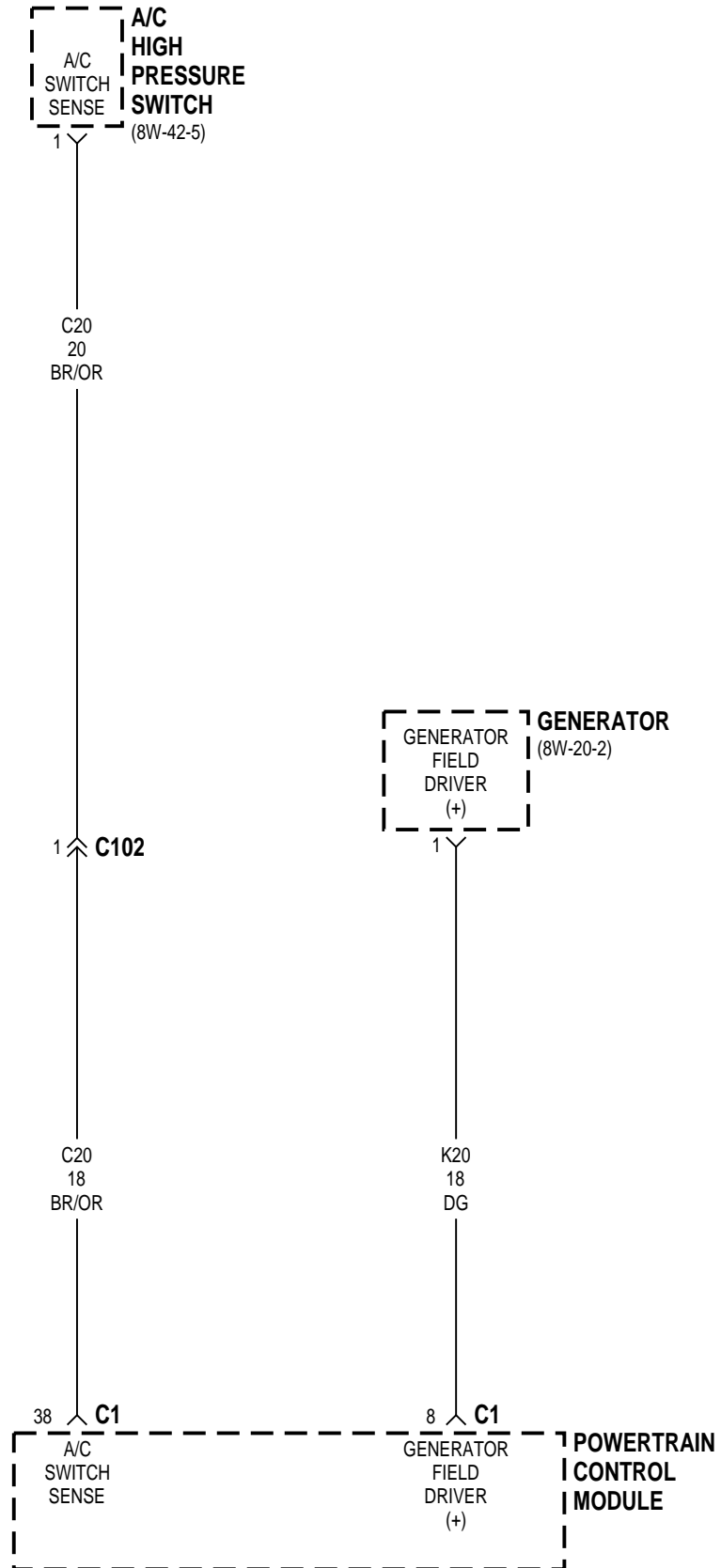


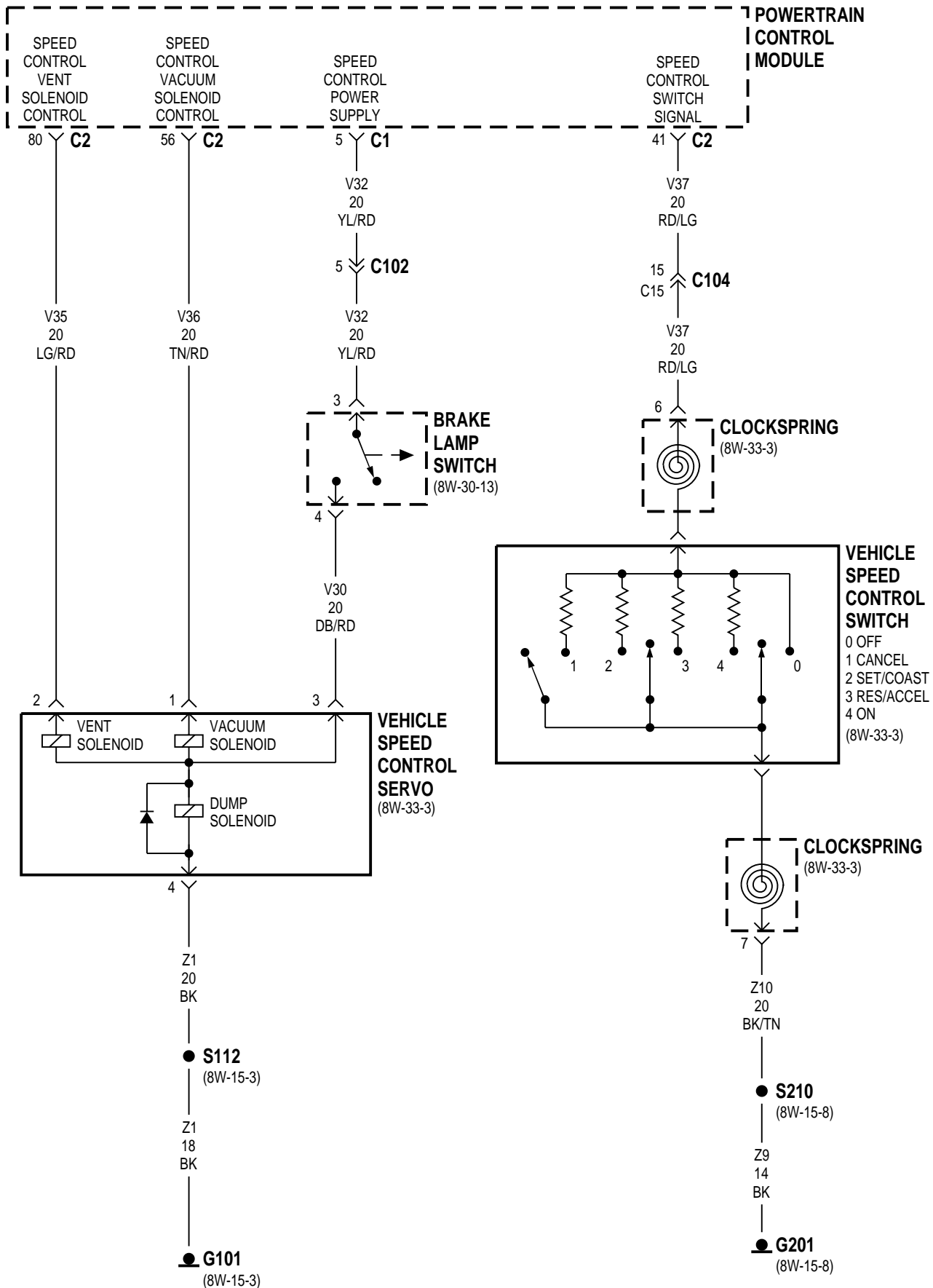


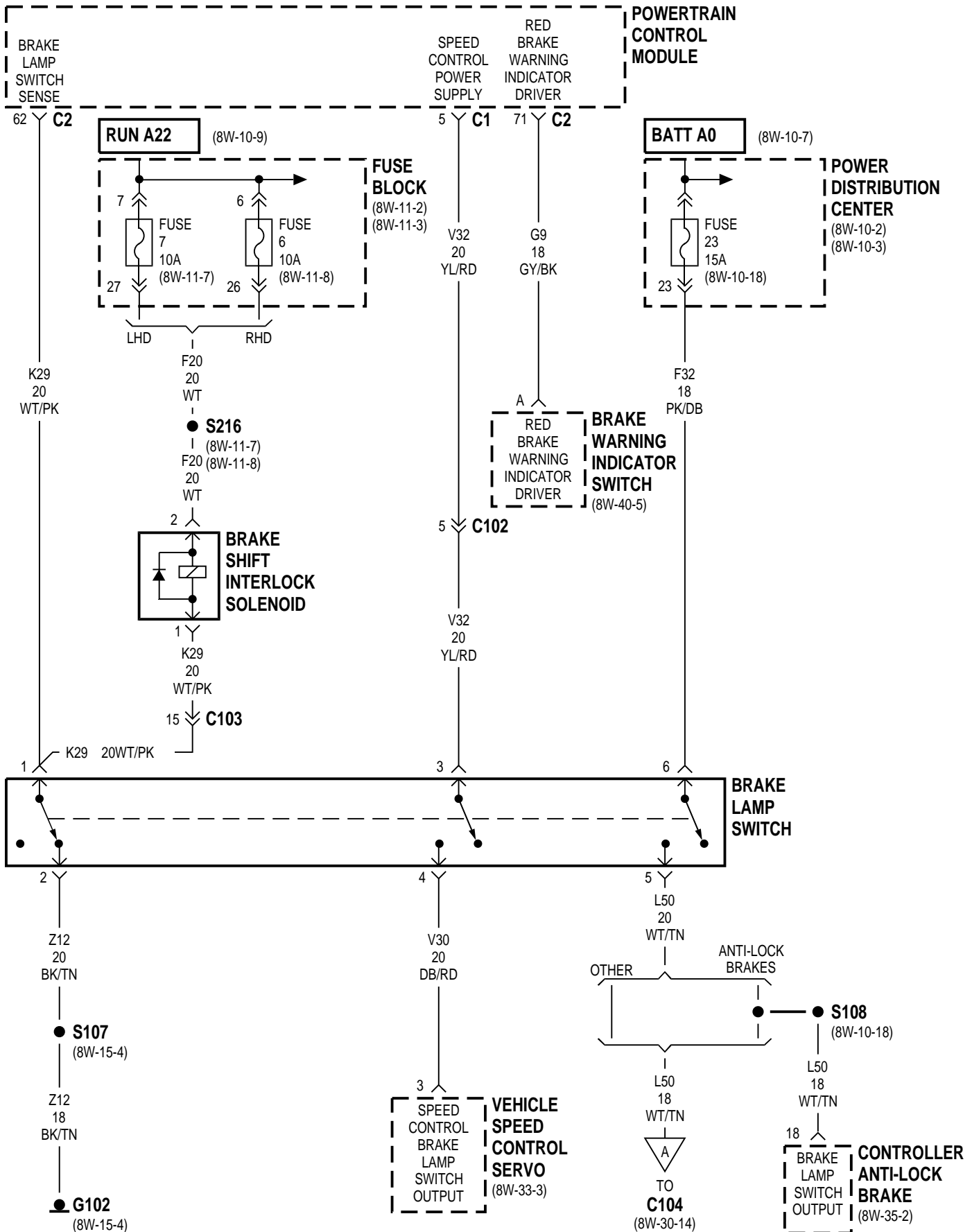


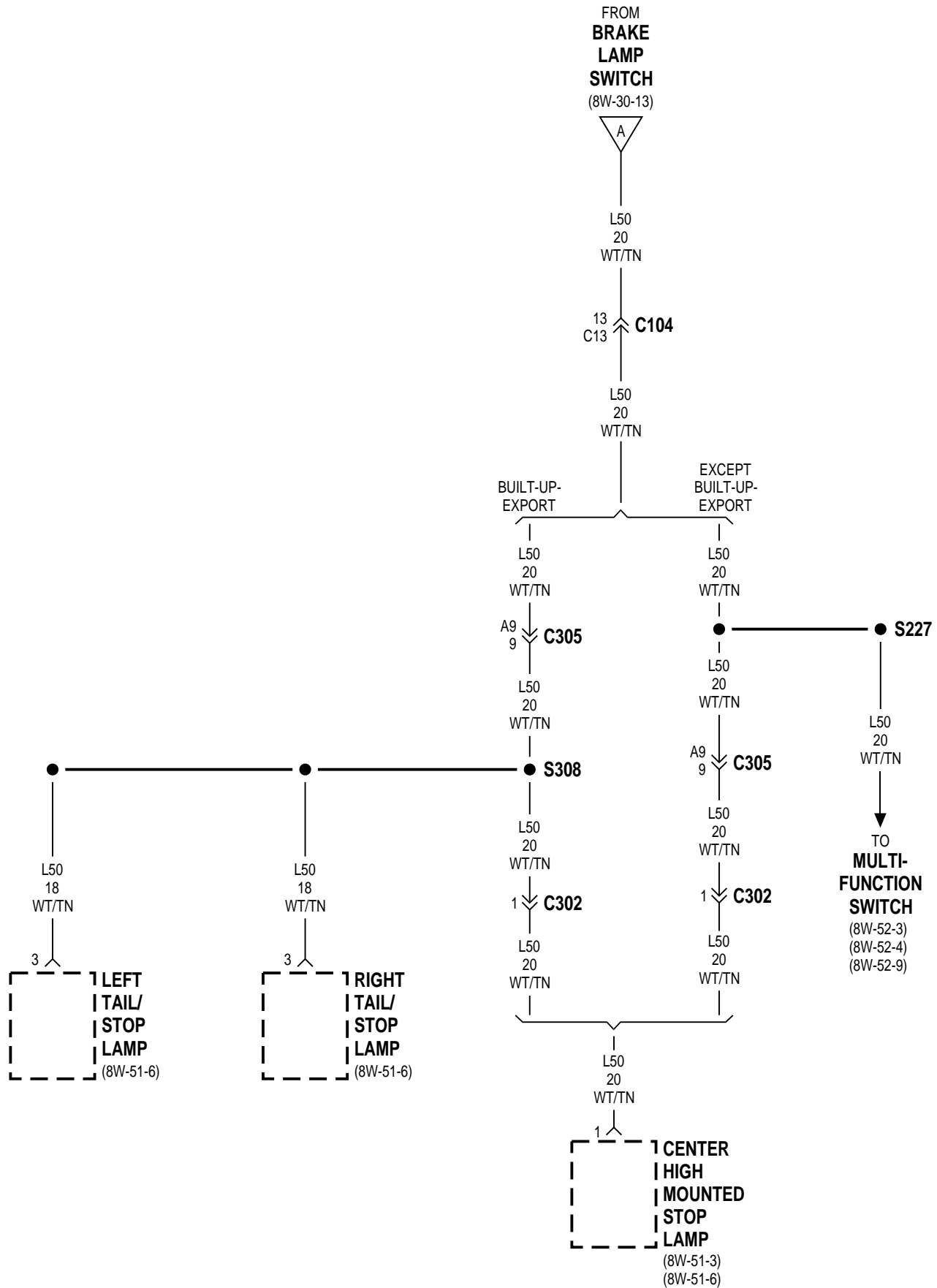


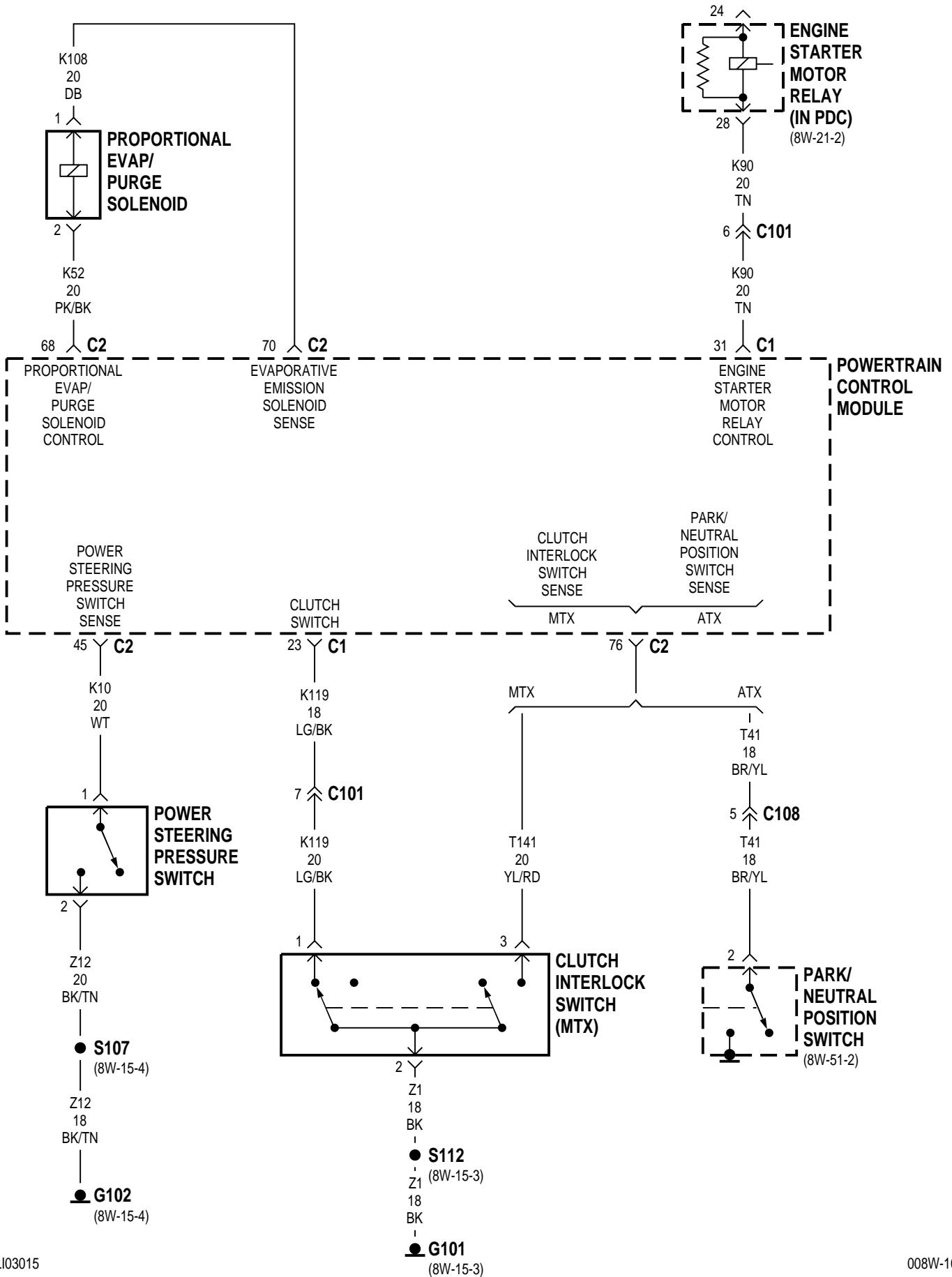






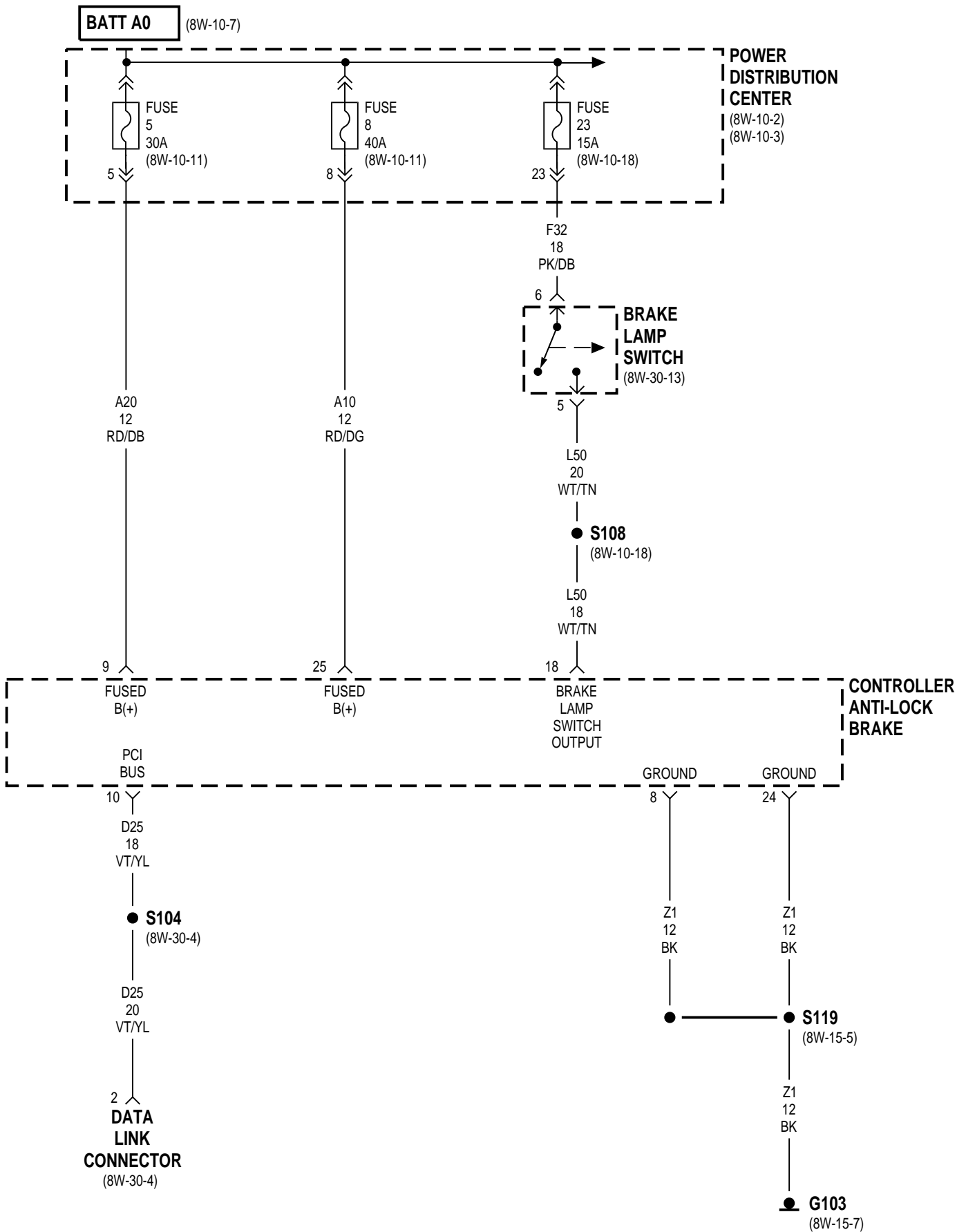


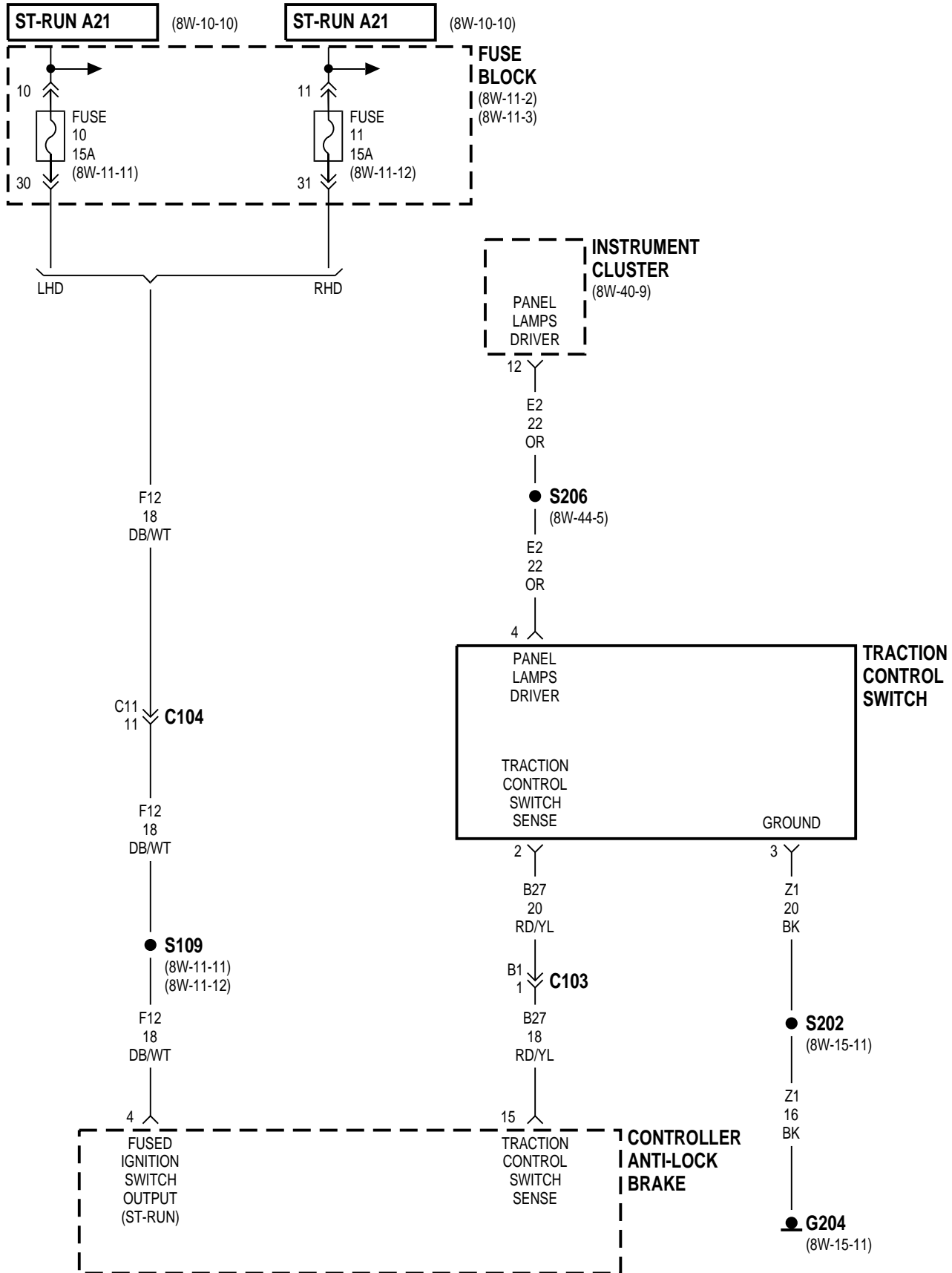


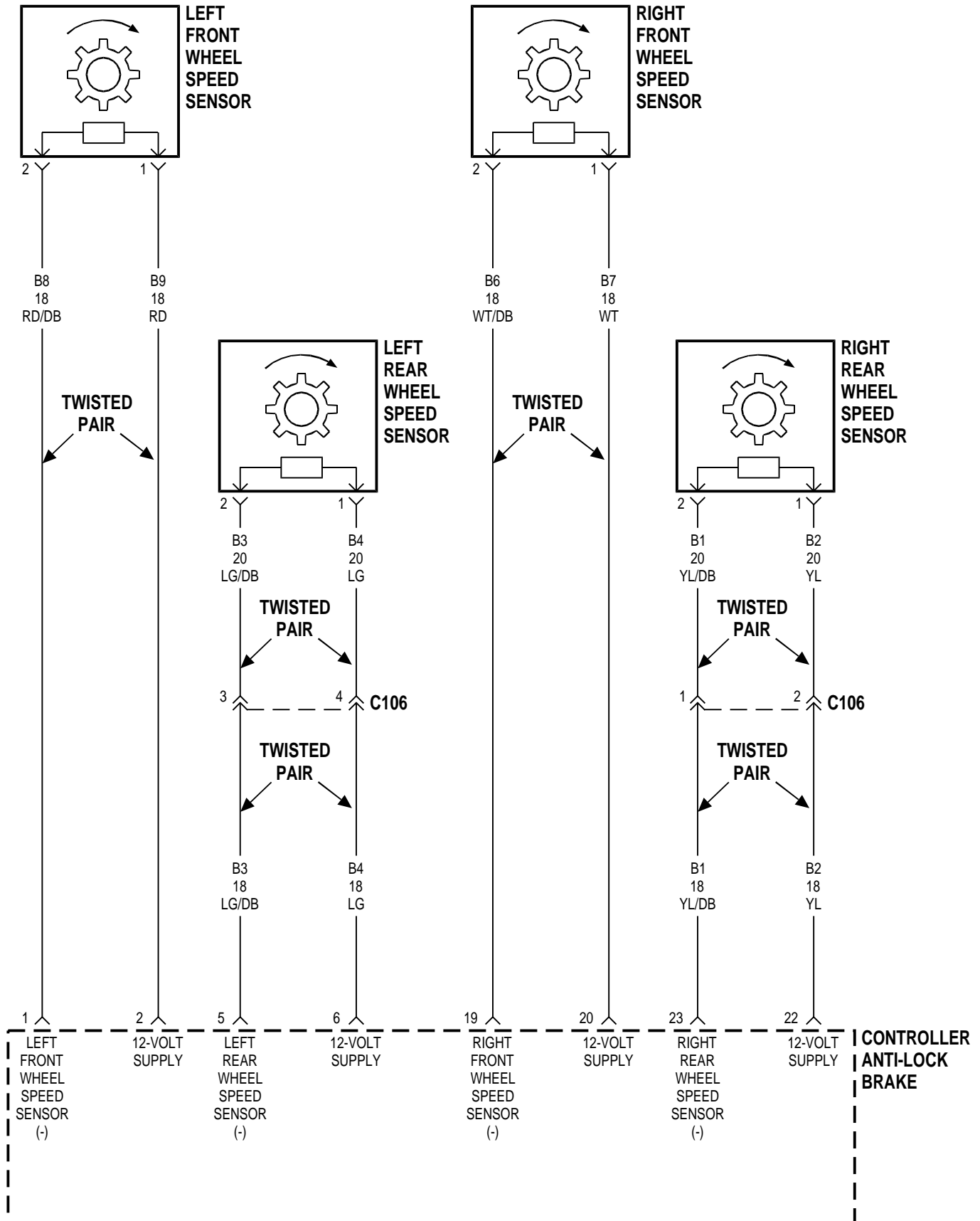


8W-35 ANTI-LOCK BRAKES

Component	Page	Component	Page
Brake Lamp Switch	8W-35-2	G103	8W-35-2
Controller Anti-Lock Brake	8W-35-2, 3, 4	G204	8W-35-3
Data Link Connector	8W-35-2	Instrument Cluster	8W-35-3
Fuse 5 (PDC)	8W-35-2	Left Front Wheel Speed Sensor	8W-35-4
Fuse 8 (PDC)	8W-35-2	Left Rear Wheel Speed Sensor	8W-35-4
Fuse 10 (FB)	8W-35-3	Power Distribution Center	8W-35-2
Fuse 11 (FB)	8W-35-3	Right Front Wheel Speed Sensor	8W-35-4
Fuse 23 (PDC)	8W-35-2	Right Rear Wheel Speed Sensor	8W-35-4
Fuse Block	8W-35-3	Traction Control Switch	8W-35-3

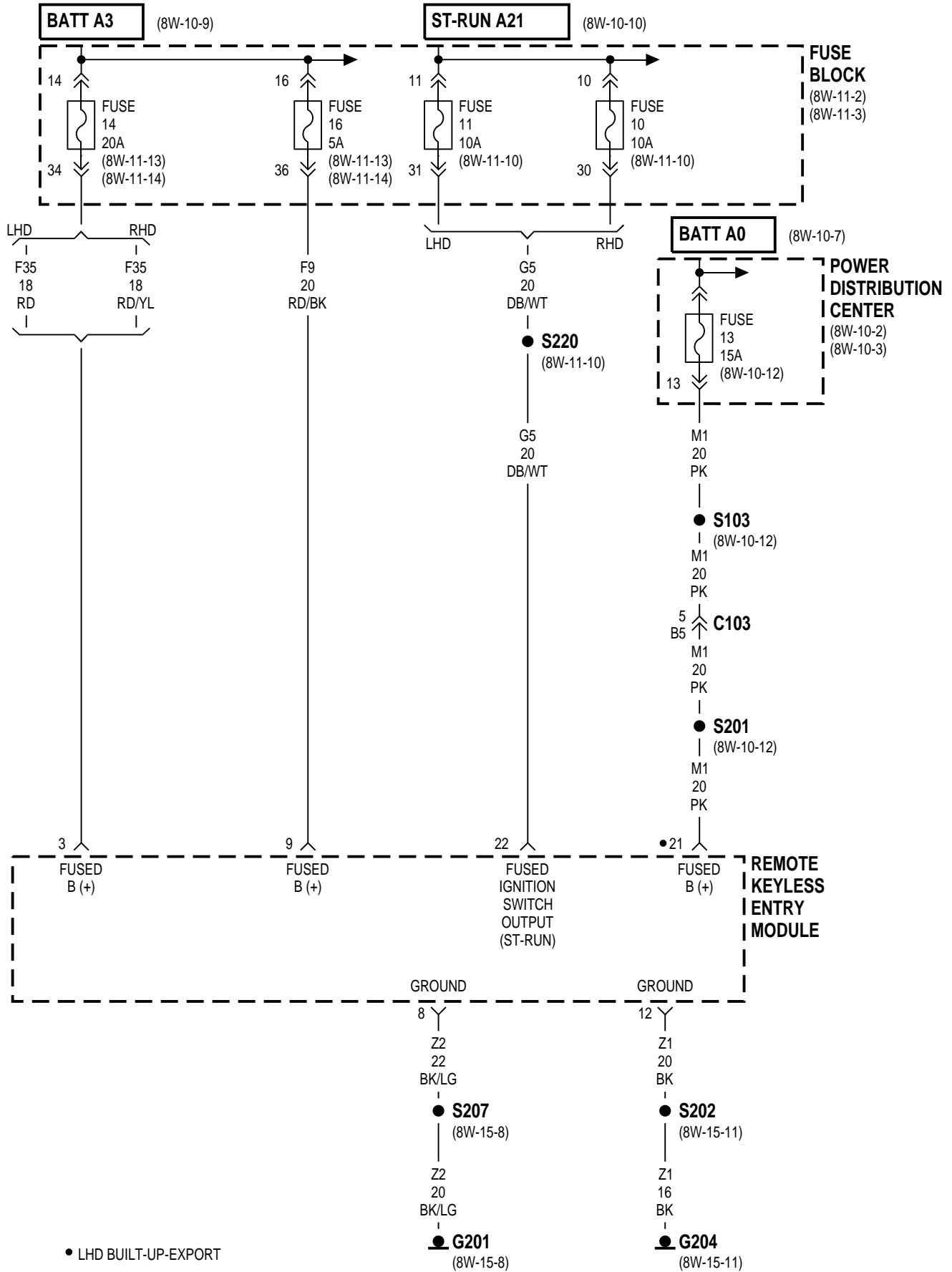




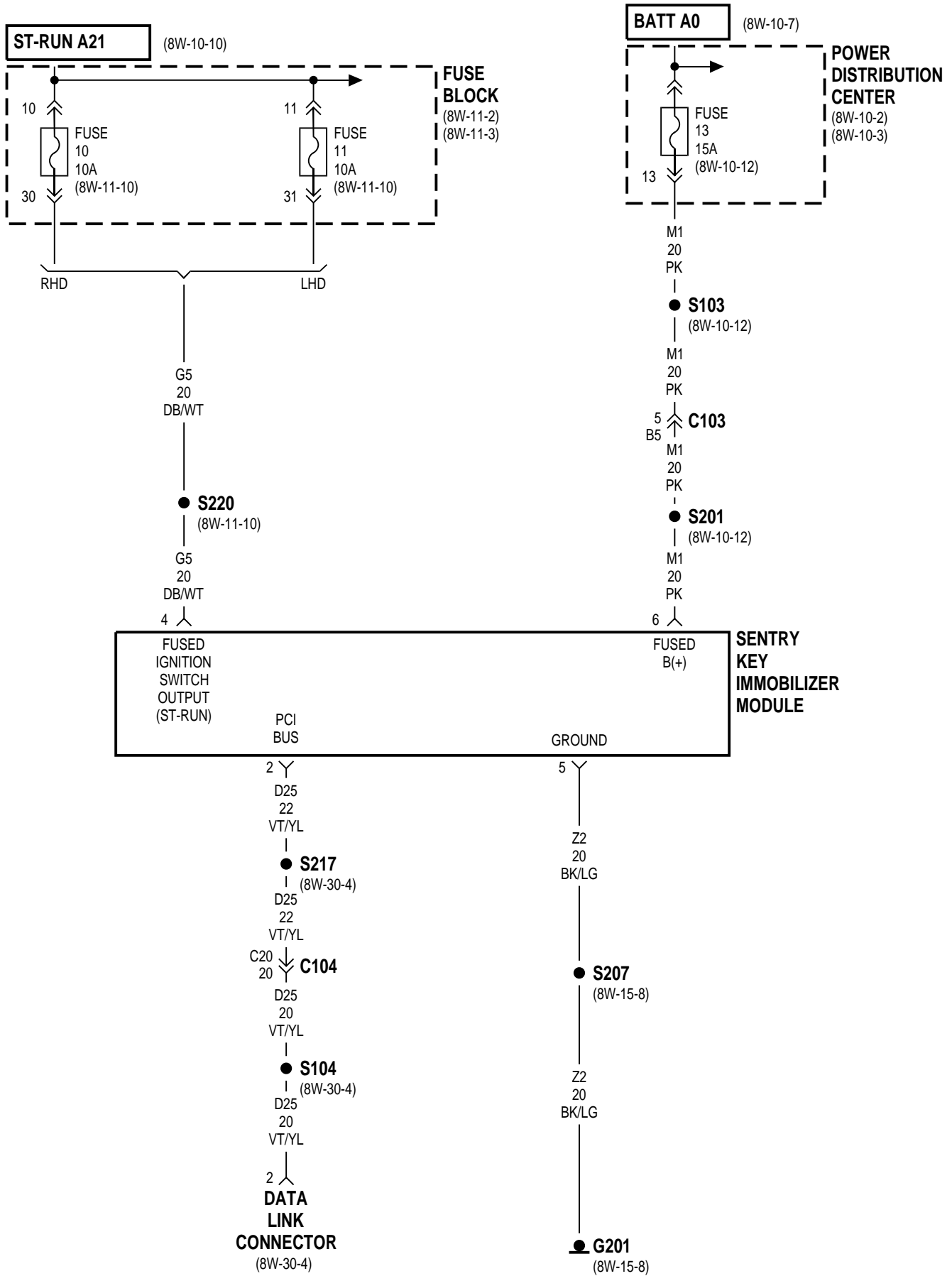


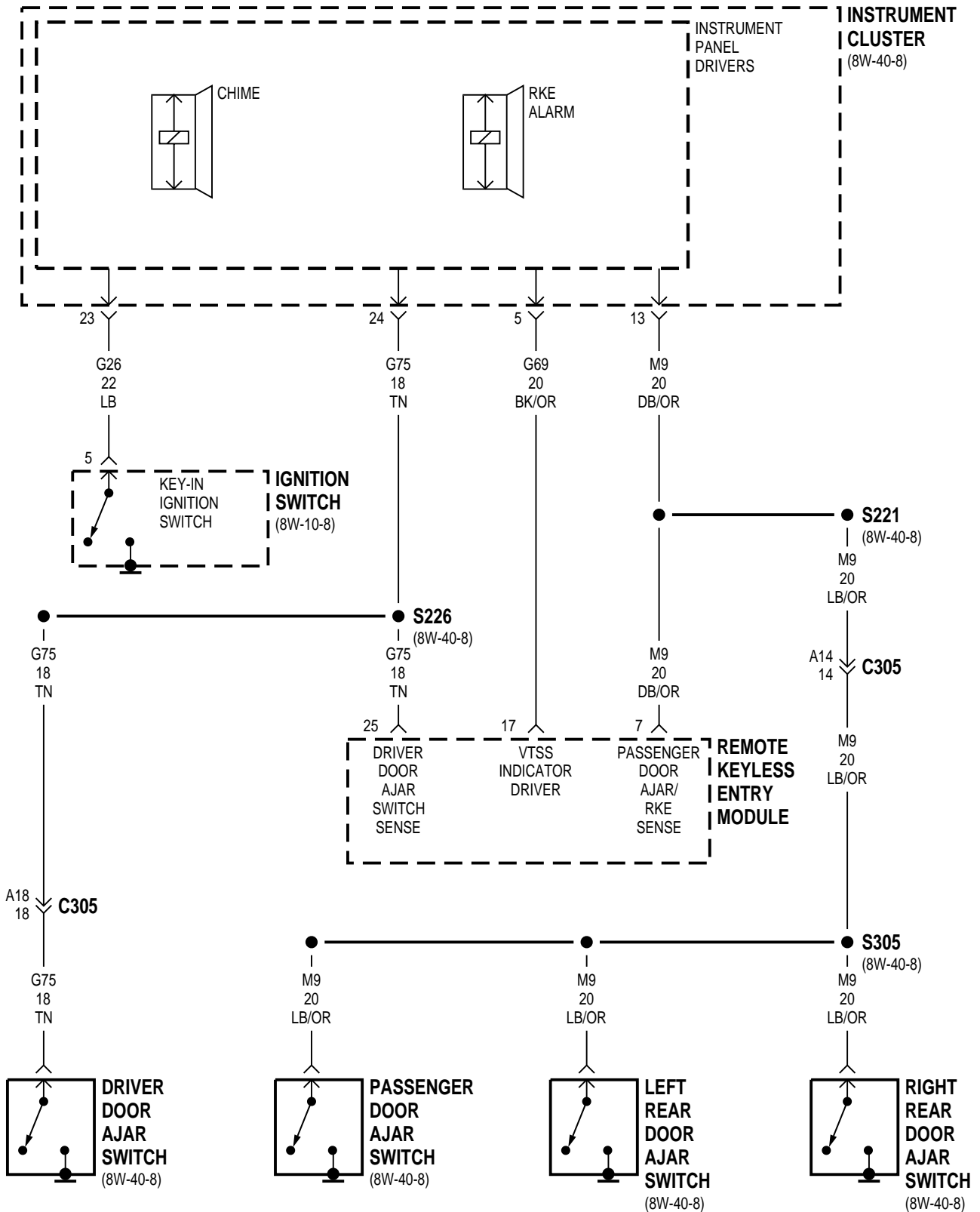
8W-39 VEHICLE THEFT SECURITY SYSTEM

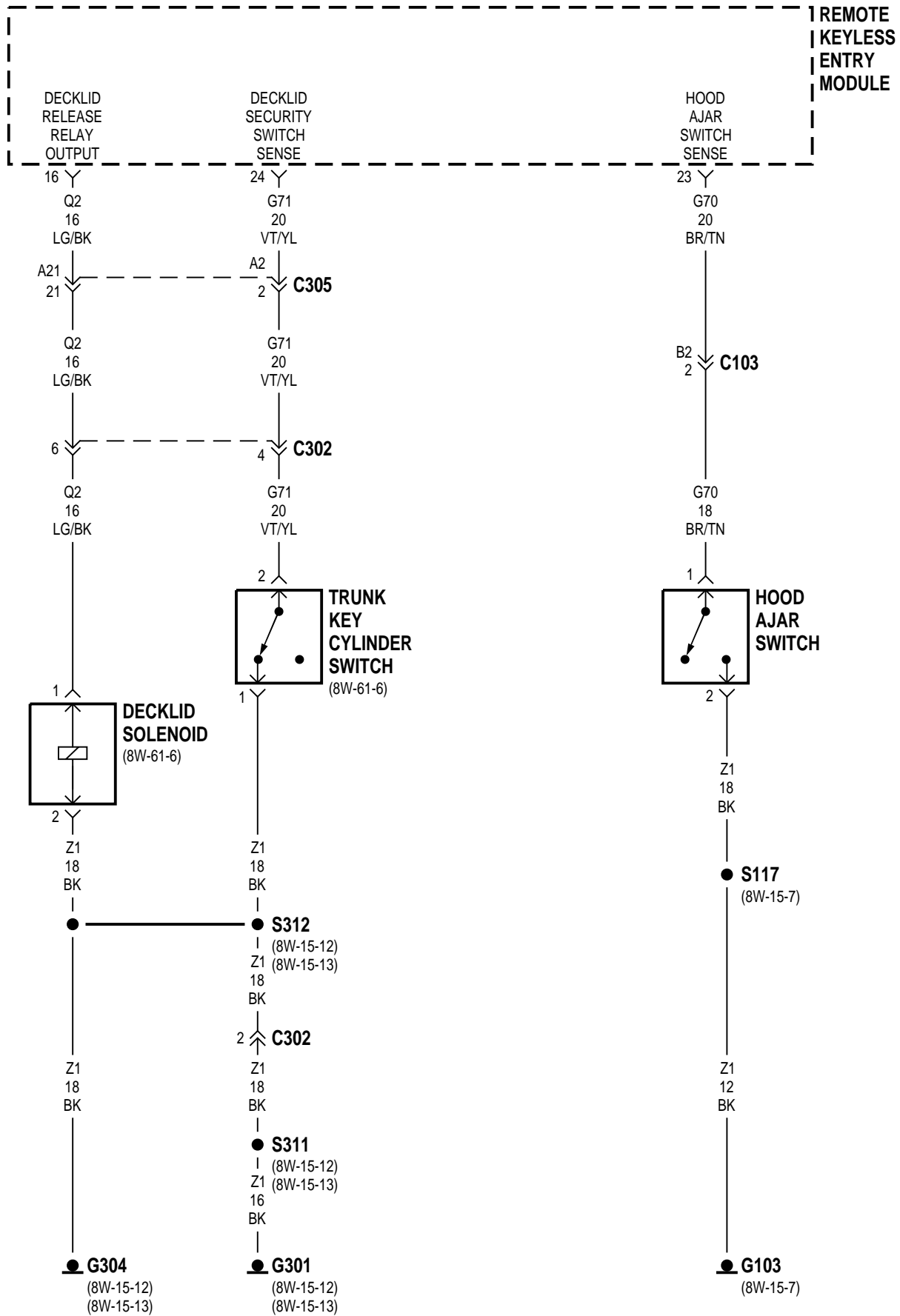
Component	Page	Component	Page
Data Link Connector	8W-39-3, 10, 11	Left Headlamp	8W-39-12, 13
Decklid Solenoid	8W-39-5	Left License Lamp	8W-39-9
Dome Lamp/Intrusion Sensor	8W-39-14	Left Park/Turn Signal Lamp	8W-39-8
Driver Cylinder Lock Switch	8W-39-6	Left Rear Door Ajar Switch	8W-39-4
Driver Door Ajar Switch	8W-39-4	Left Rear Door Lock Motor	8W-39-7
Driver Door Lock Motor	8W-39-7	Left Tail/Stop Lamp	8W-39-9
Driver Door Lock Switch	8W-39-6	Left Tail/Stop/Turn Signal Lamp	8W-39-8
Fuse 10 (FB)	8W-39-2, 3	License Lamp	8W-39-8
Fuse 11 (FB)	8W-39-2, 3	Low Note Horn	8W-39-10, 11
Fuse 13 (PDC)	8W-39-2, 3, 14	Passenger Cylinder Lock Switch	8W-39-6
Fuse 14 (FB)	8W-39-2	Passenger Door Ajar Switch	8W-39-4
Fuse 16 (FB)	8W-39-2	Passenger Door Lock Motor	8W-39-7
Fuse 17 (FB)	8W-39-12, 13	Passenger Door Lock Switch	8W-39-6
Fuse 18 (FB)	8W-39-12, 13	Power Distribution Center	8W-39-2, 3, 10, 11, 14
Fuse 18 (PDC)	8W-39-10, 11	Radio	8W-39-8, 9
Fuse Block	8W-39-2, 3, 12, 13	Remote Keyless Entry Module	8W-39-2, 4, 5, 6, 7, 8, 9, 10, 11, 12, 13, 14
G103	8W-39-5, 10, 11, 14	Right City Lamp	8W-39-9
G201	8W-39-2, 3	Right Front Side Marker Lamp	8W-39-8
G204	8W-39-2	Right Headlamp	8W-39-12, 13
G301	8W-39-5	Right License Lamp	8W-39-9
G304	8W-39-5	Right Park/Turn Signal Lamp	8W-39-8
High Note Horn	8W-39-10, 11	Right Rear Door Ajar Switch	8W-39-4
Hood Ajar Switch	8W-39-5	Right Rear Door Lock Motor	8W-39-7
Horn Relay	8W-39-10, 11	Right Tail/Stop Lamp	8W-39-9
Ignition Switch	8W-39-4	Right Tail/Stop/Turn Signal Lamp	8W-39-8
Instrument Cluster	8W-39-4, 8, 9, 12	Sentry Key Immobilizer Module	8W-39-3
Instrument Panel Drivers	8W-39-4	Siren	8W-39-14
Left City Lamp	8W-39-9	Trunk Key Cylinder Switch	8W-39-5
Left Front Side Marker Lamp	8W-39-8		

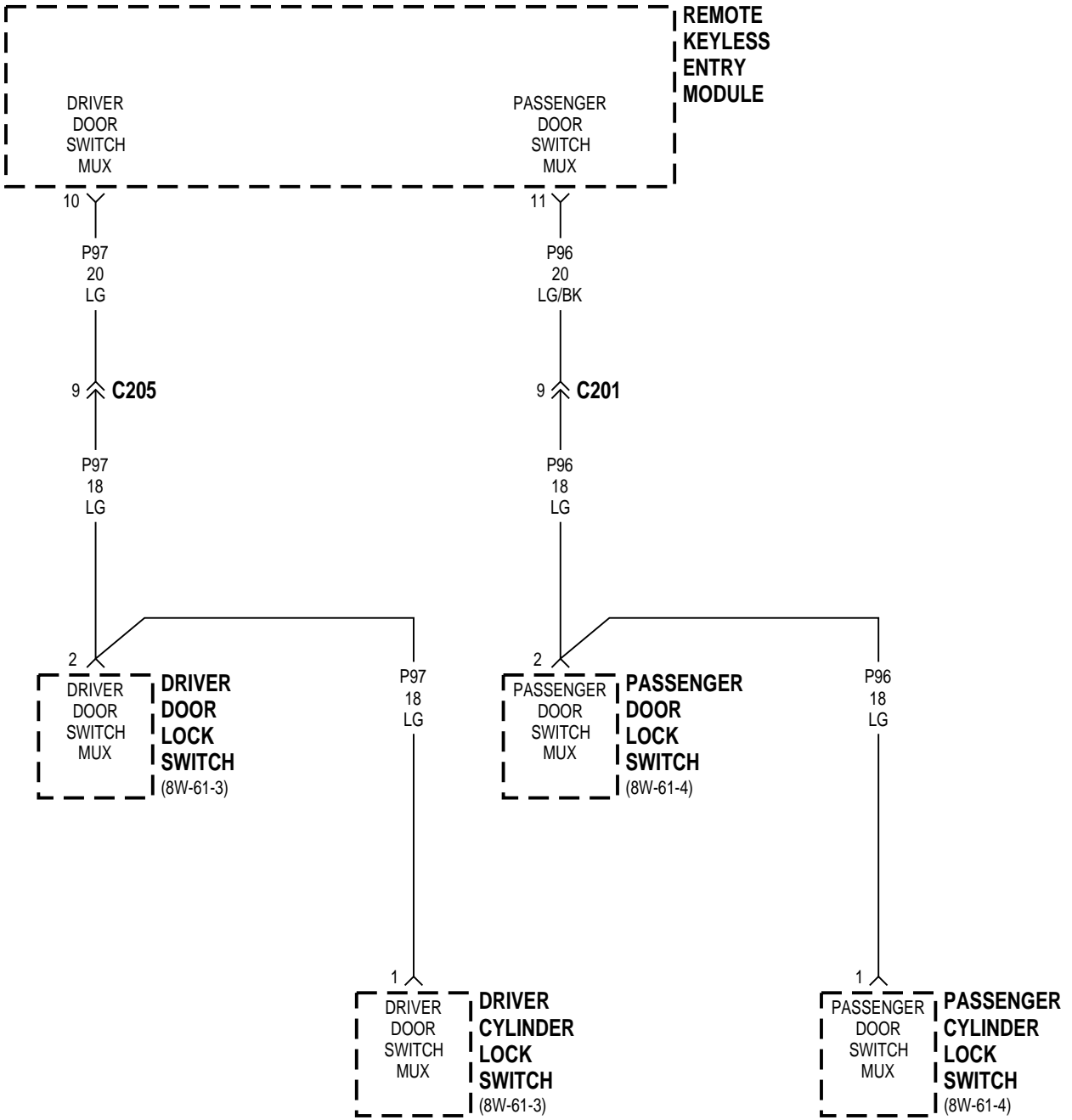


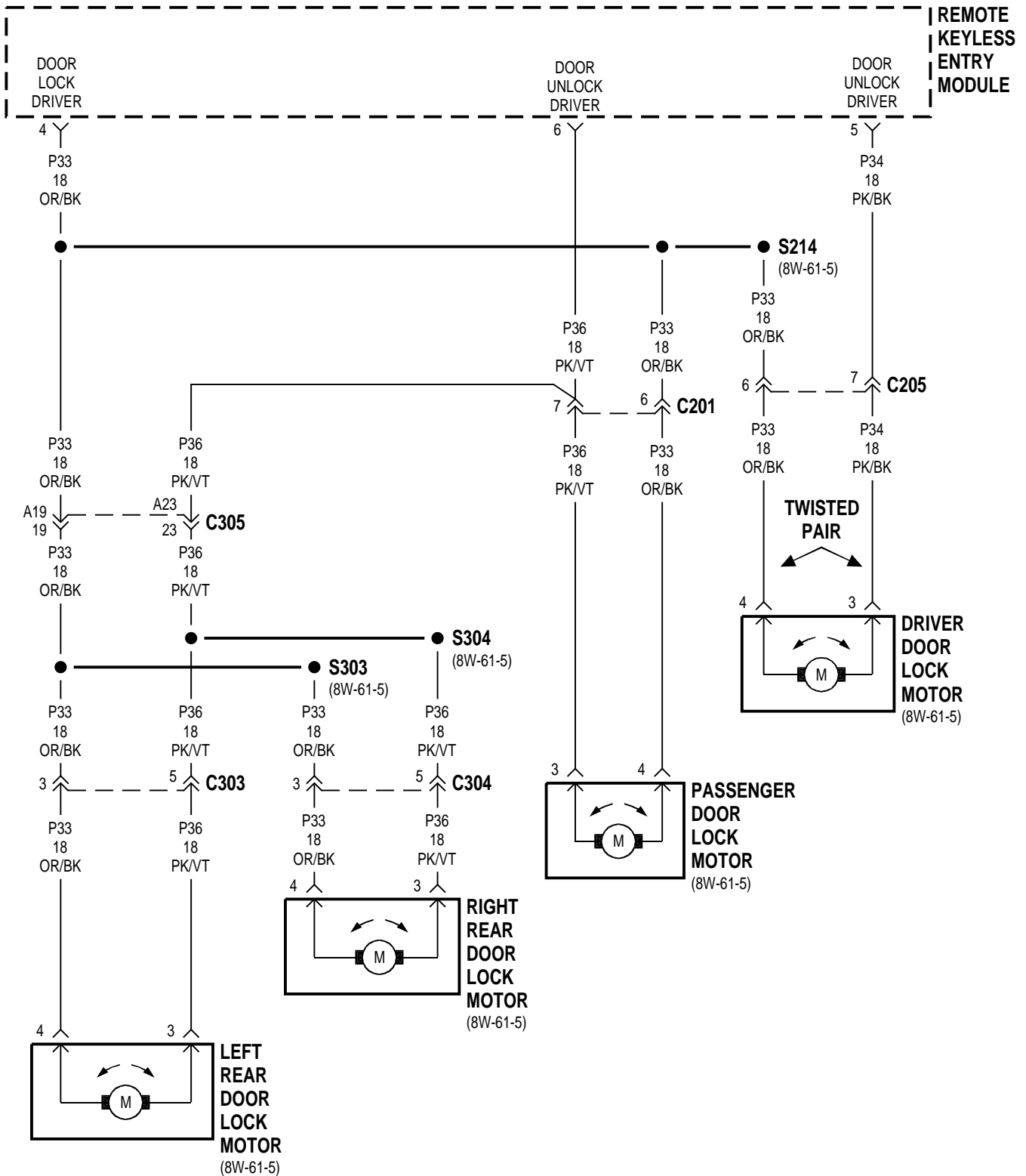
• LHD BUILT-UP-EXPORT

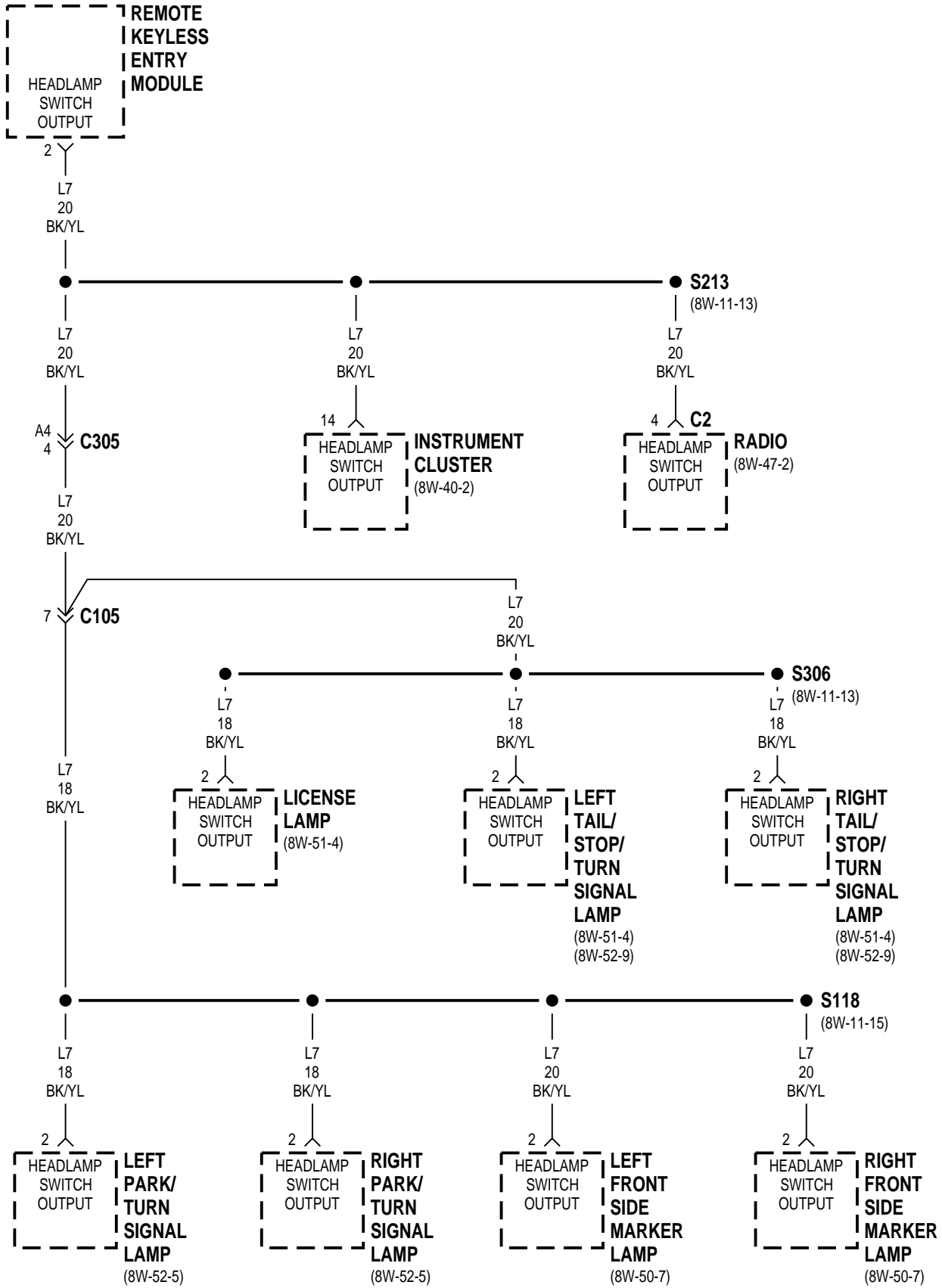


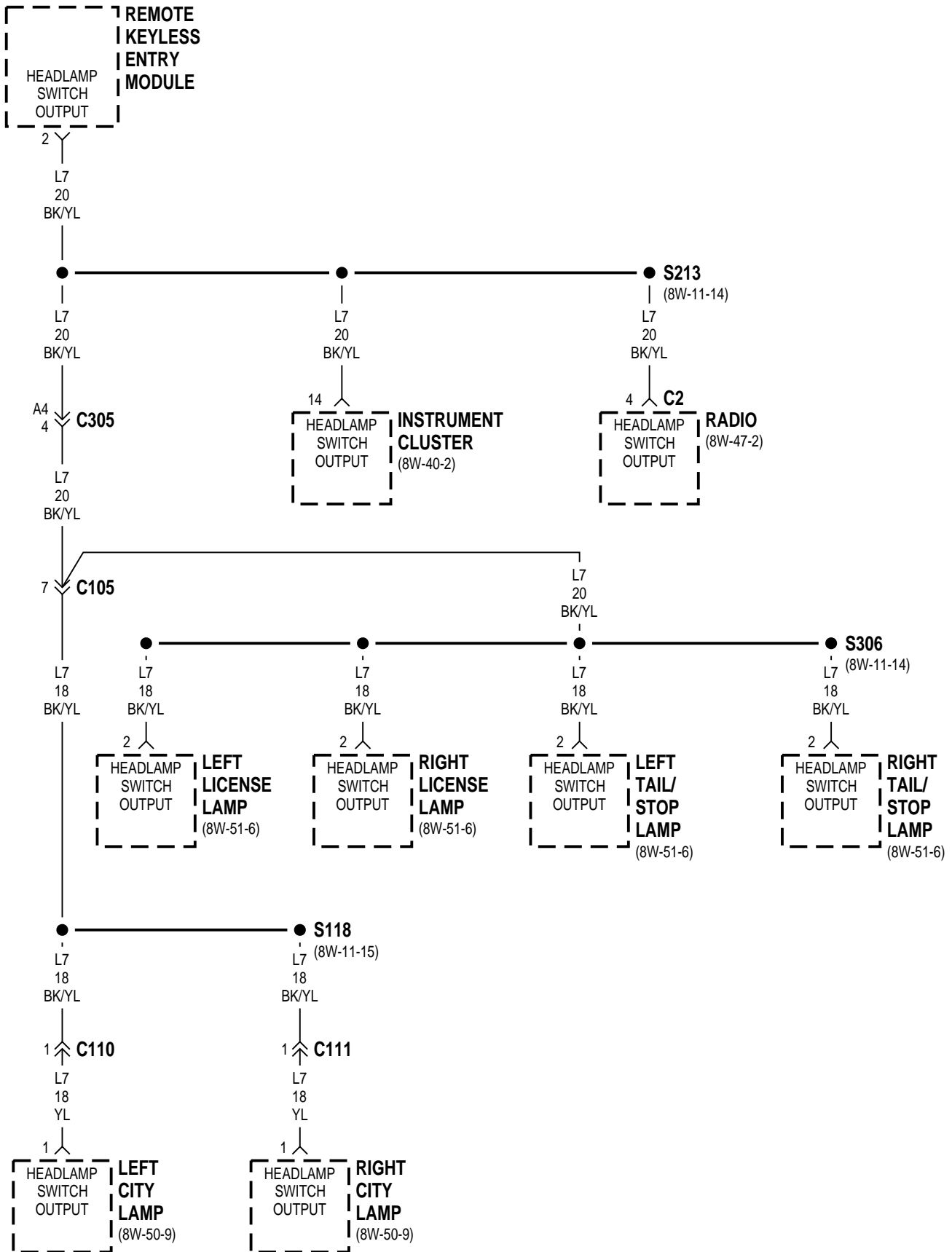


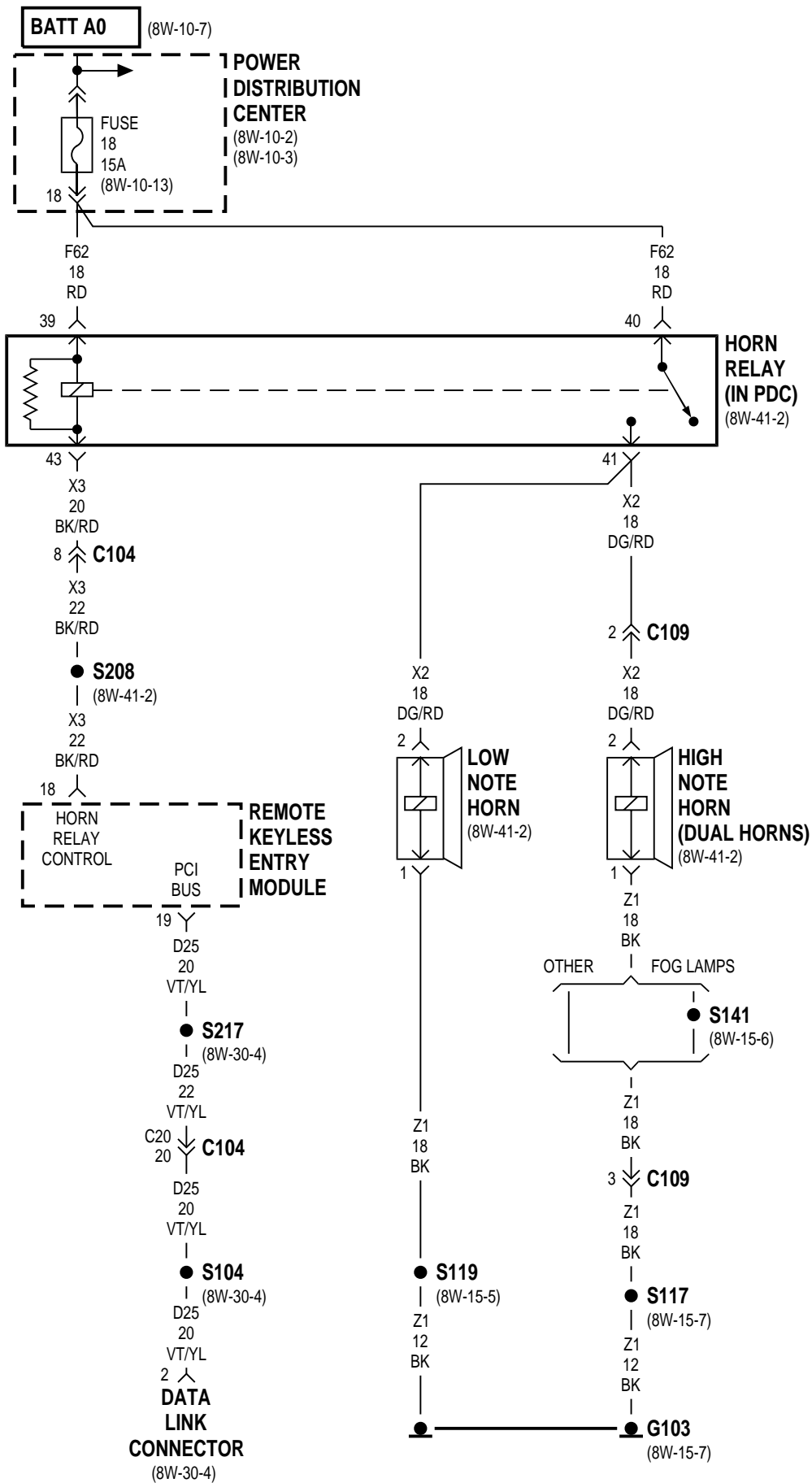


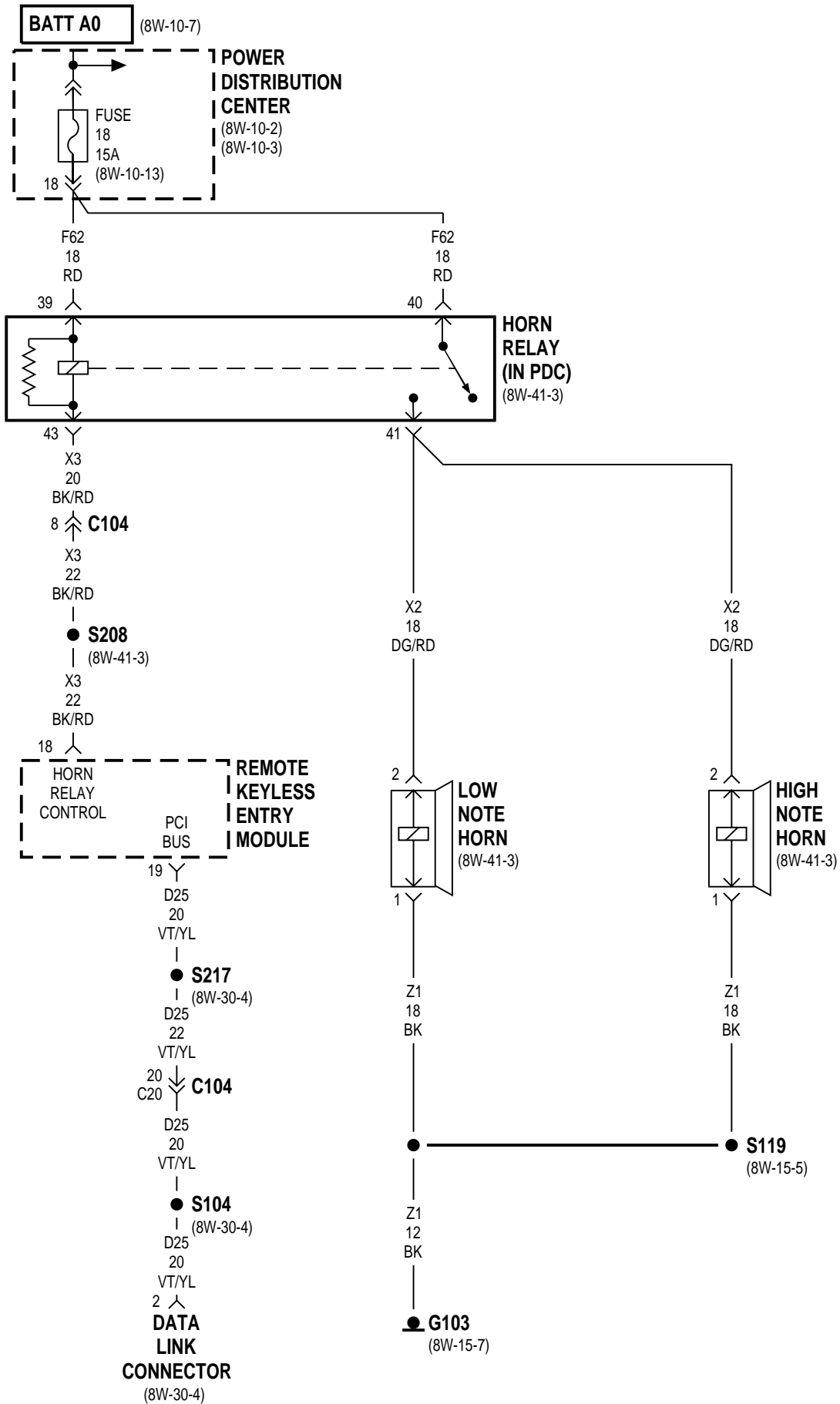


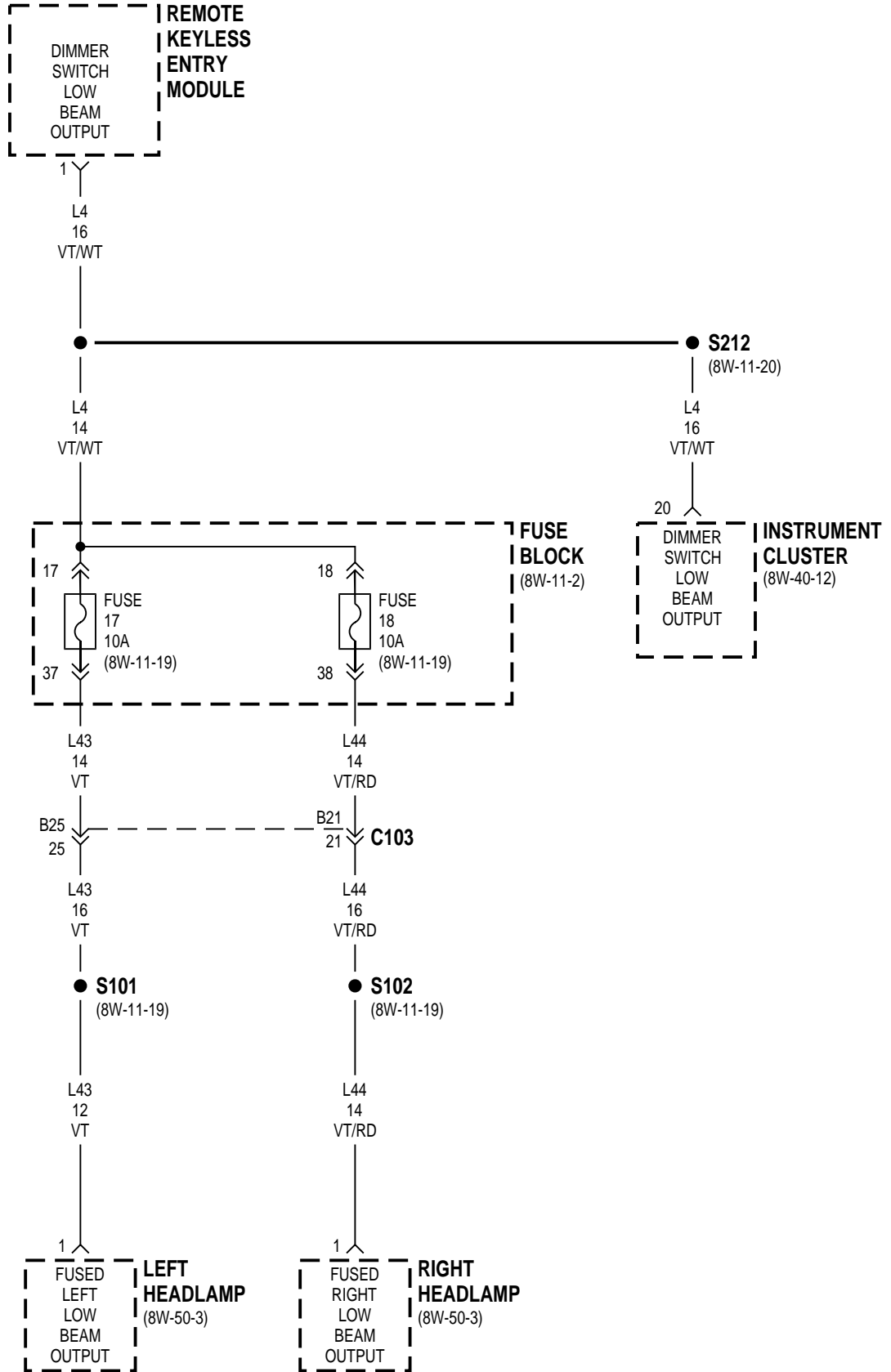


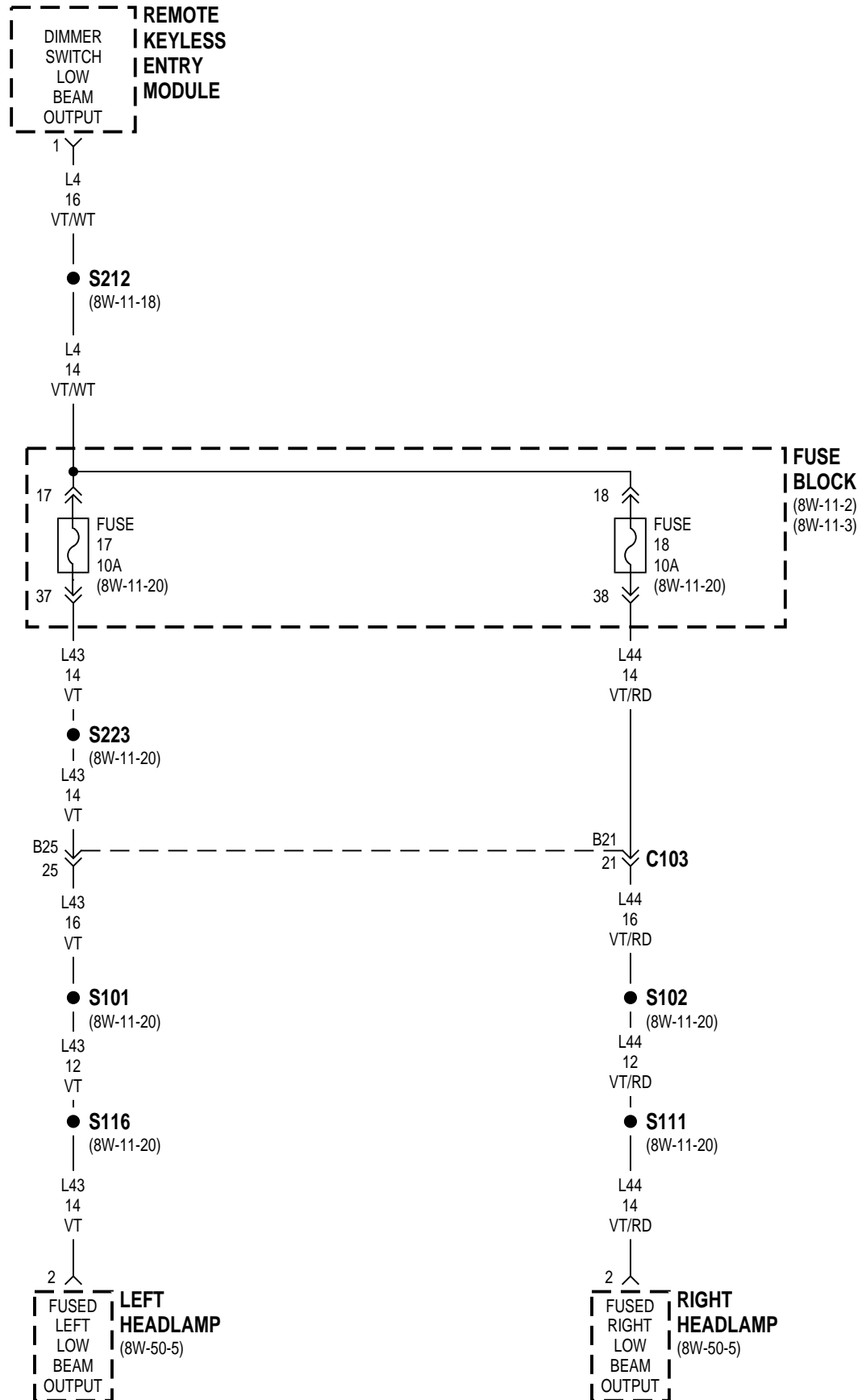


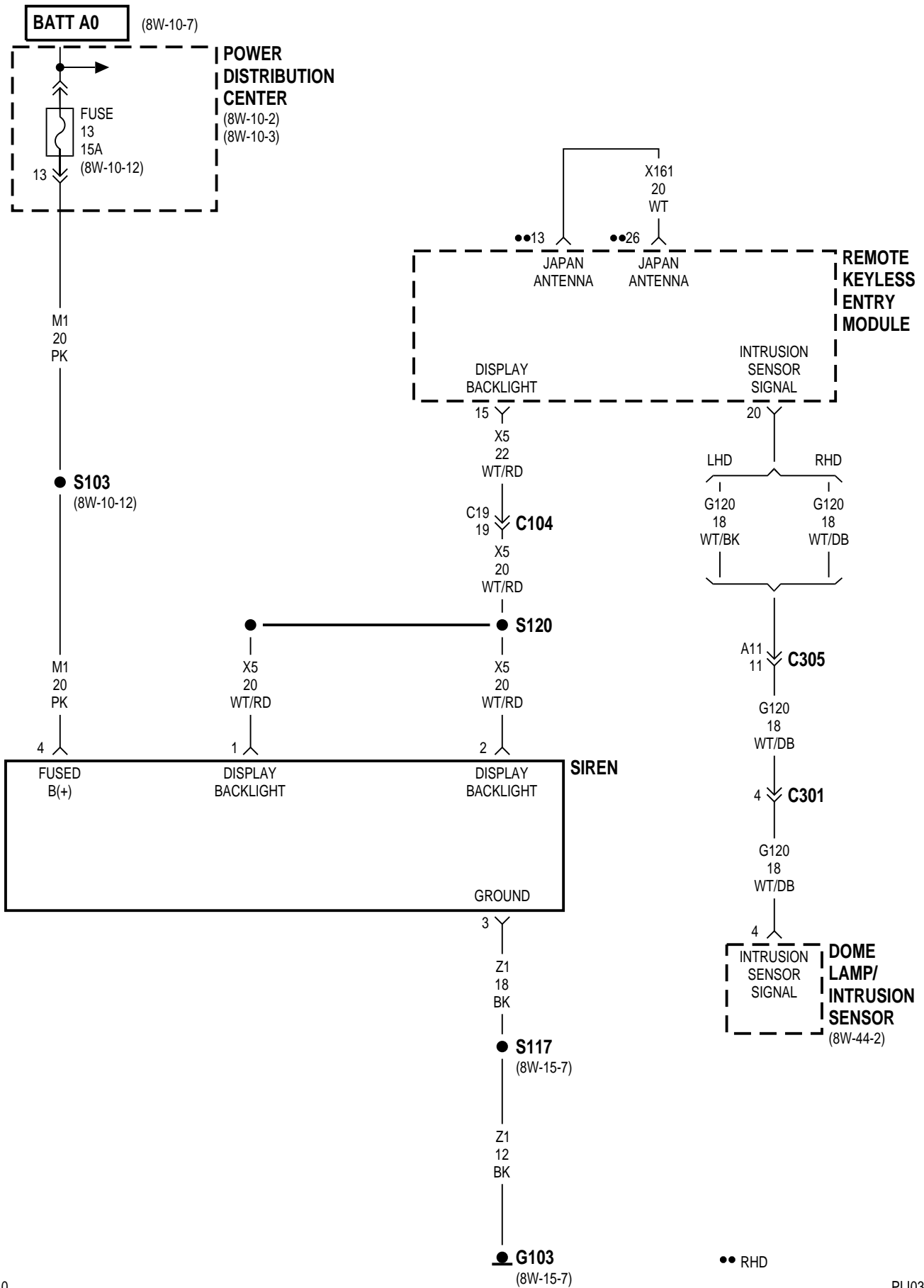






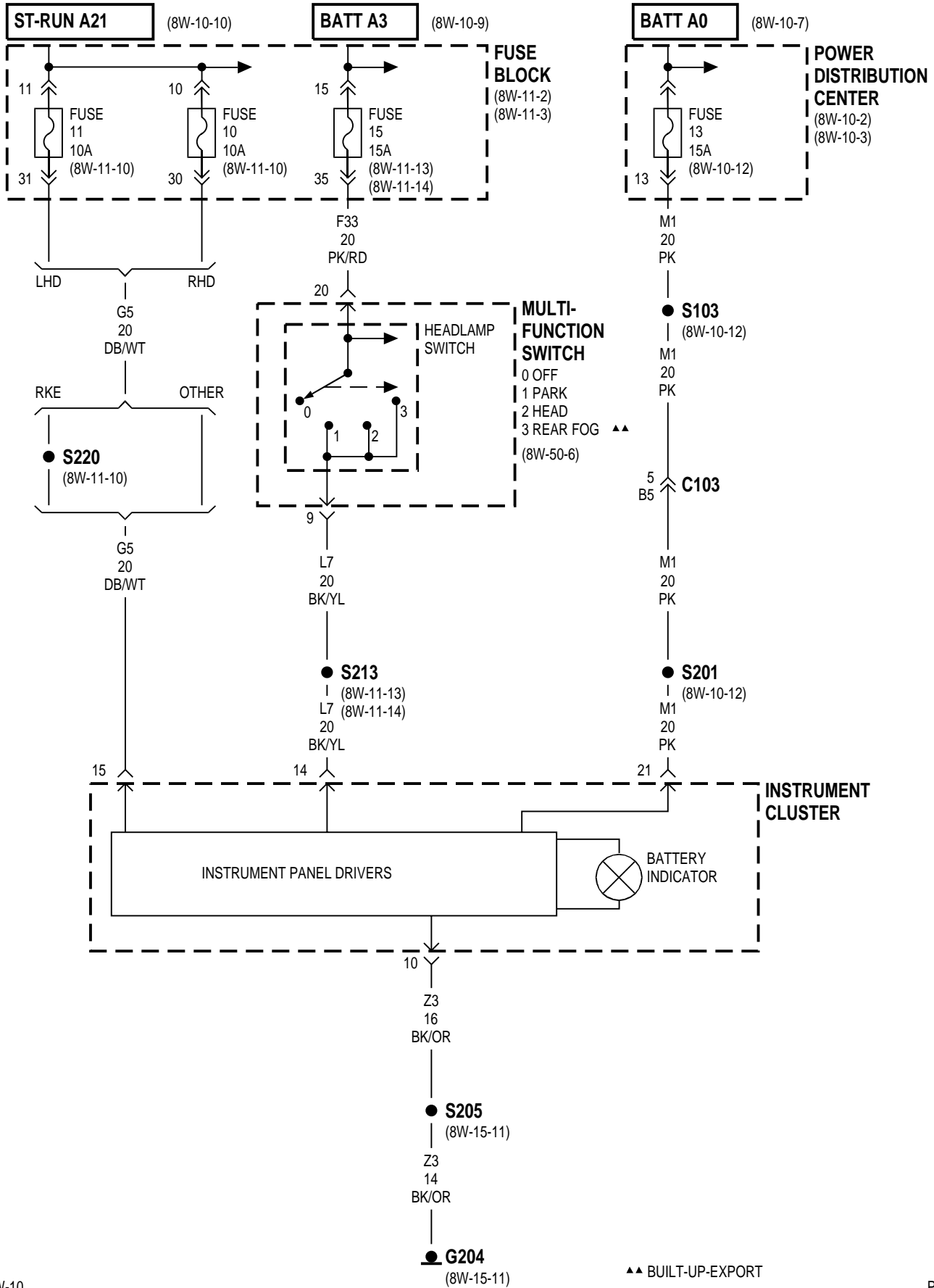


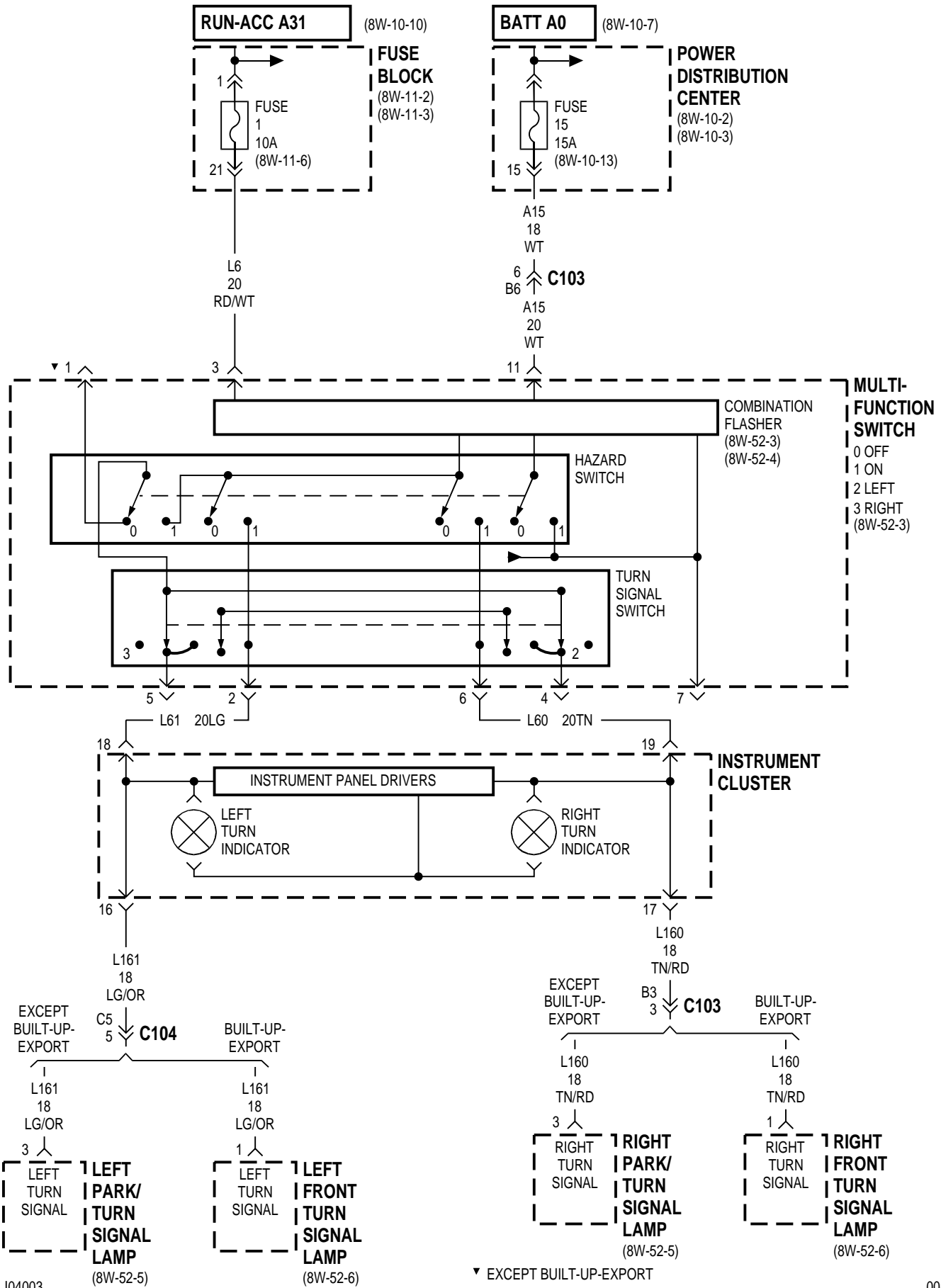




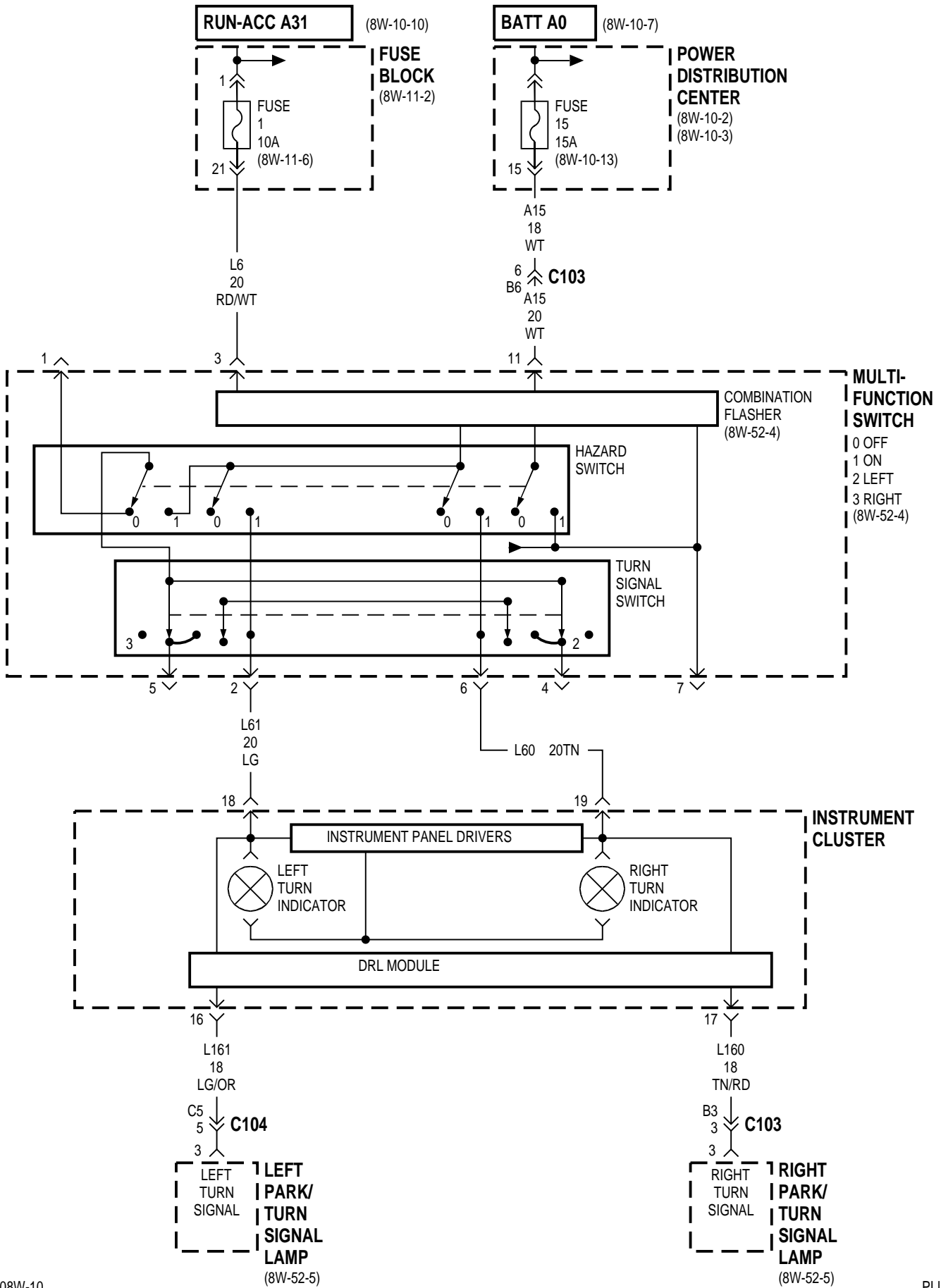
8W-40 INSTRUMENT CLUSTER

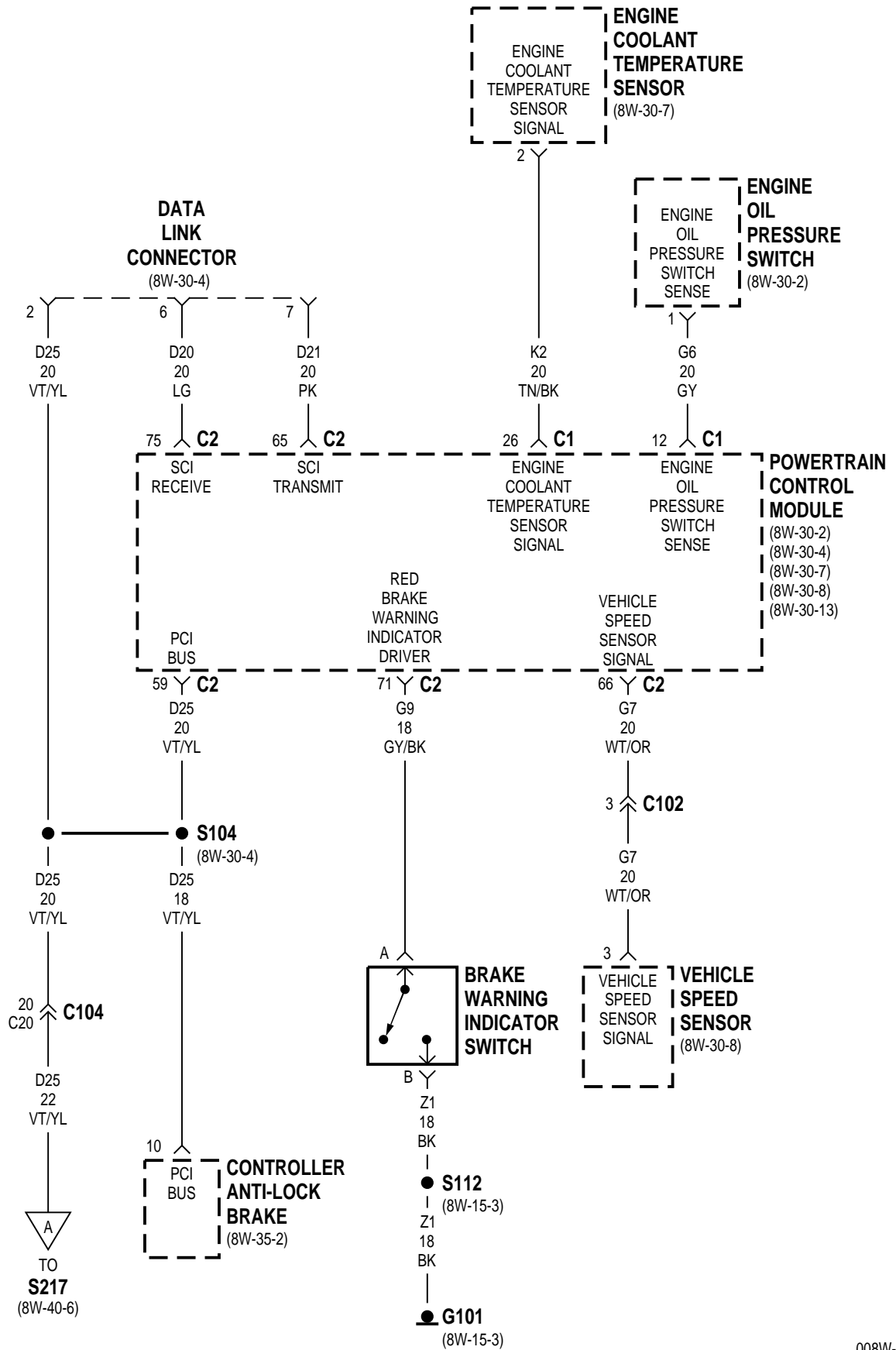
Component	Page	Component	Page
A/C Heater Control	8W-40-10	High Beam Indicator	8W-40-11
Airbag Control Module	8W-40-6	Ignition Switch	8W-40-7, 8
Brake Warning Indicator	8W-40-11	Indicator Drivers	8W-40-11
Brake Warning Indicator Switch	8W-40-5	Instrument Cluster	8W-40-2, 3, 4, 6, 7, 8, 9, 10, 11, 12, 13, 14
Center Stack Lamp	8W-40-10	Instrument Panel Drivers	8W-40-6, 7, 8, 9, 14
Circuit Breaker No. 2 (FB)	8W-40-12	Left Front Fog Lamp	8W-40-13
Combination Flasher	8W-40-3, 4	Left Front Turn Signal Lamp	8W-40-3
Controller Anti-Lock Brake	8W-40-5	Left Park/Turn Signal Lamp	8W-40-3, 4
Data Link Connector	8W-40-5	Left Rear Door Ajar Switch	8W-40-7, 8
Dome Lamp	8W-40-9	Map/Reading Lamps	8W-40-9
Dome Lamp/Intrusion Sensor	8W-40-9	Multi-Function Switch	8W-40-2, 3, 4, 9, 11, 12, 13, 14
Driver Door Ajar Switch	8W-40-7, 8	Park Brake Switch	8W-40-11
Engine Coolant Temperature Sensor	8W-40-5	Passenger Door Ajar Switch	8W-40-7, 8
Engine Oil Pressure Switch	8W-40-5	Power Distribution Center	8W-40-2, 3, 4, 14
Front Fog Lamp Switch	8W-40-14	Powertrain Control Module	8W-40-5
Fuel Pump Module	8W-40-6	PRNDL Lamp	8W-40-10
Fuse 1 (FB)	8W-40-3, 4	Radio	8W-40-10
Fuse 10 (FB)	8W-40-2	Rear Window Defogger Switch	8W-40-10
Fuse 11 (FB)	8W-40-2	Remote Keyless Entry Module	8W-40-6, 8
Fuse 13 (PDC)	8W-40-2	Right Front Fog Lamp	8W-40-13
Fuse 15 (FB)	8W-40-2	Right Front Turn Signal Lamp	8W-40-3
Fuse 15 (PDC)	8W-40-3, 4	Right Park/Turn Signal Lamp	8W-40-3, 4
Fuse 19 (FB)	8W-40-13	Right Rear Door Ajar Switch	8W-40-7, 8
Fuse 20 (FB)	8W-40-14	Seat Belt Indicator	8W-40-11
Fuse Block	8W-40-2, 3, 4, 12, 13	Seat Belt Switch	8W-40-11
G101	8W-40-5	Sentry Key Immobilizer Module	8W-40-6
G204	8W-40-2, 9	Traction Control Switch	8W-40-10
G301	8W-40-11	Vehicle Speed Sensor	8W-40-5
Headlamp Beam Select	8W-40-12		
Headlamp Leveling Switch	8W-40-10		
Headlamp Switch	8W-40-2, 12, 14		

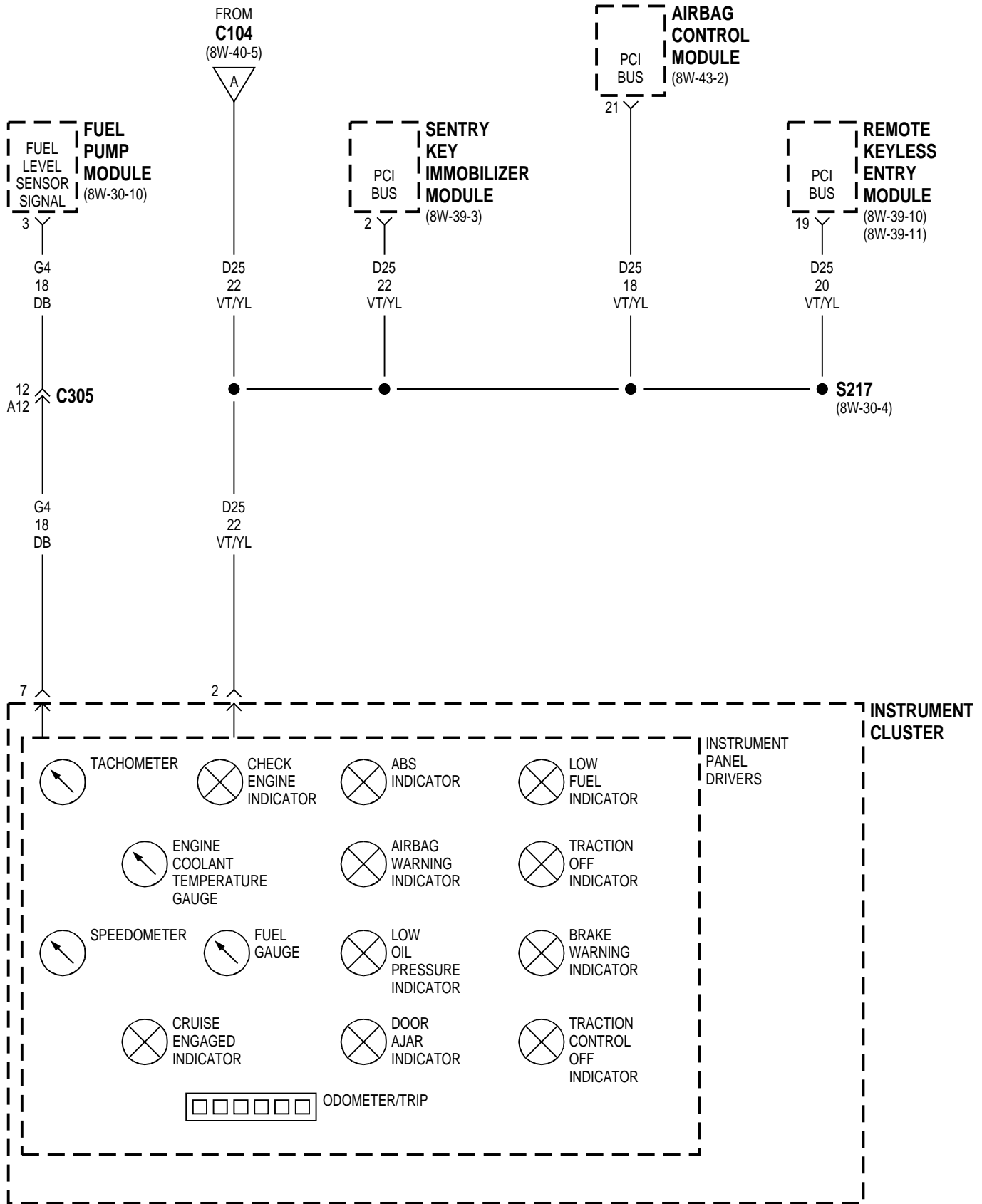


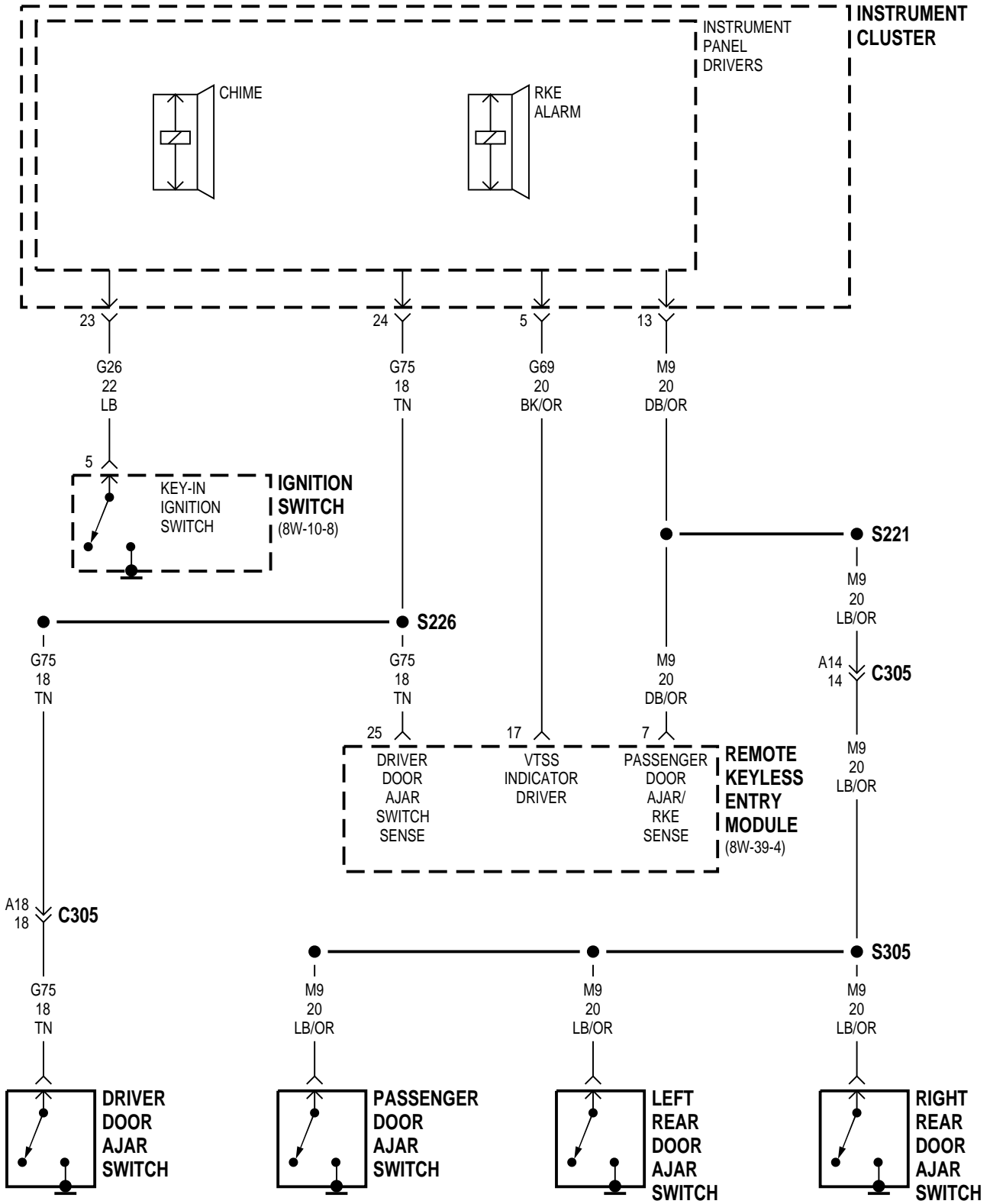


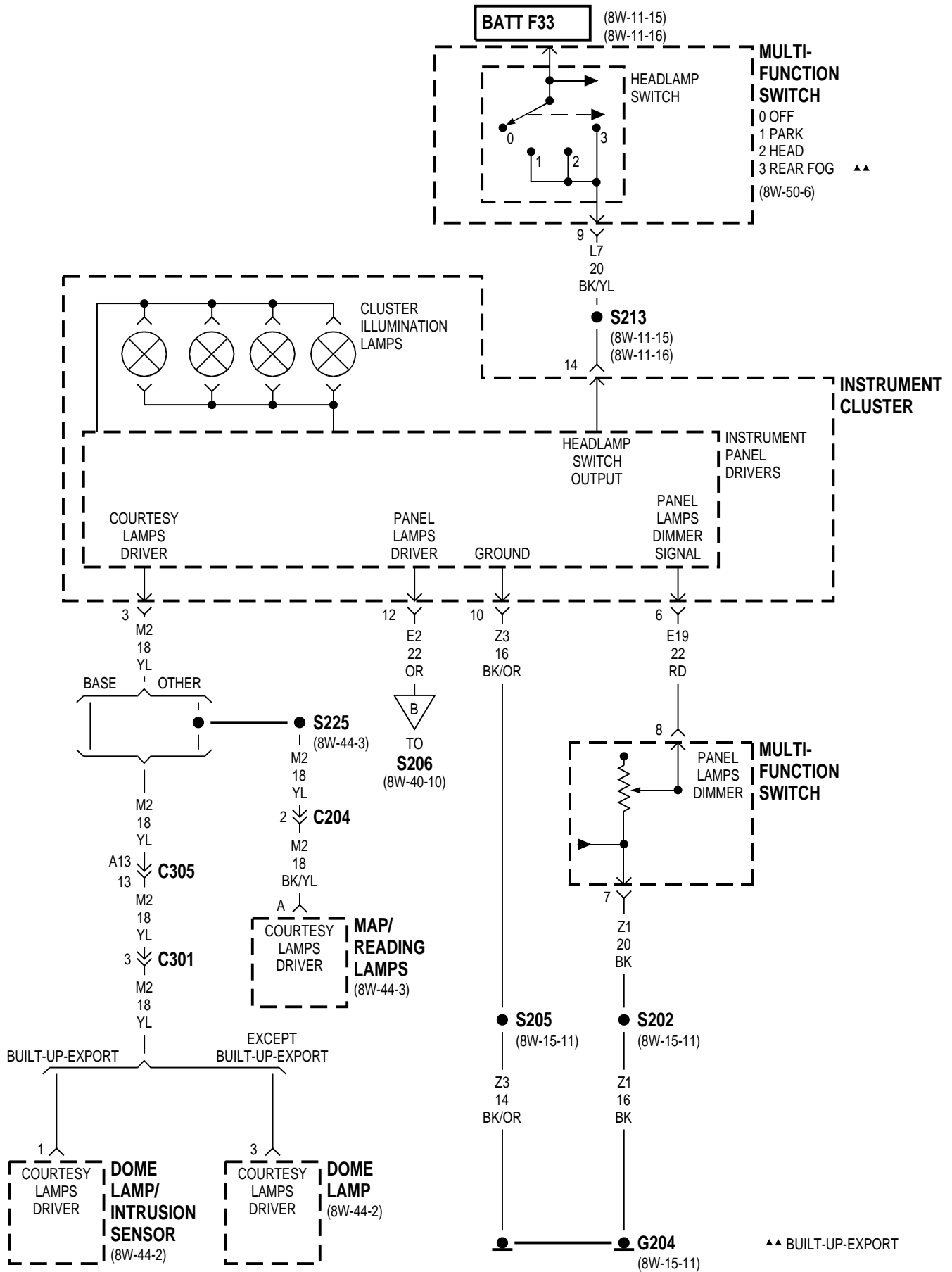
DRL

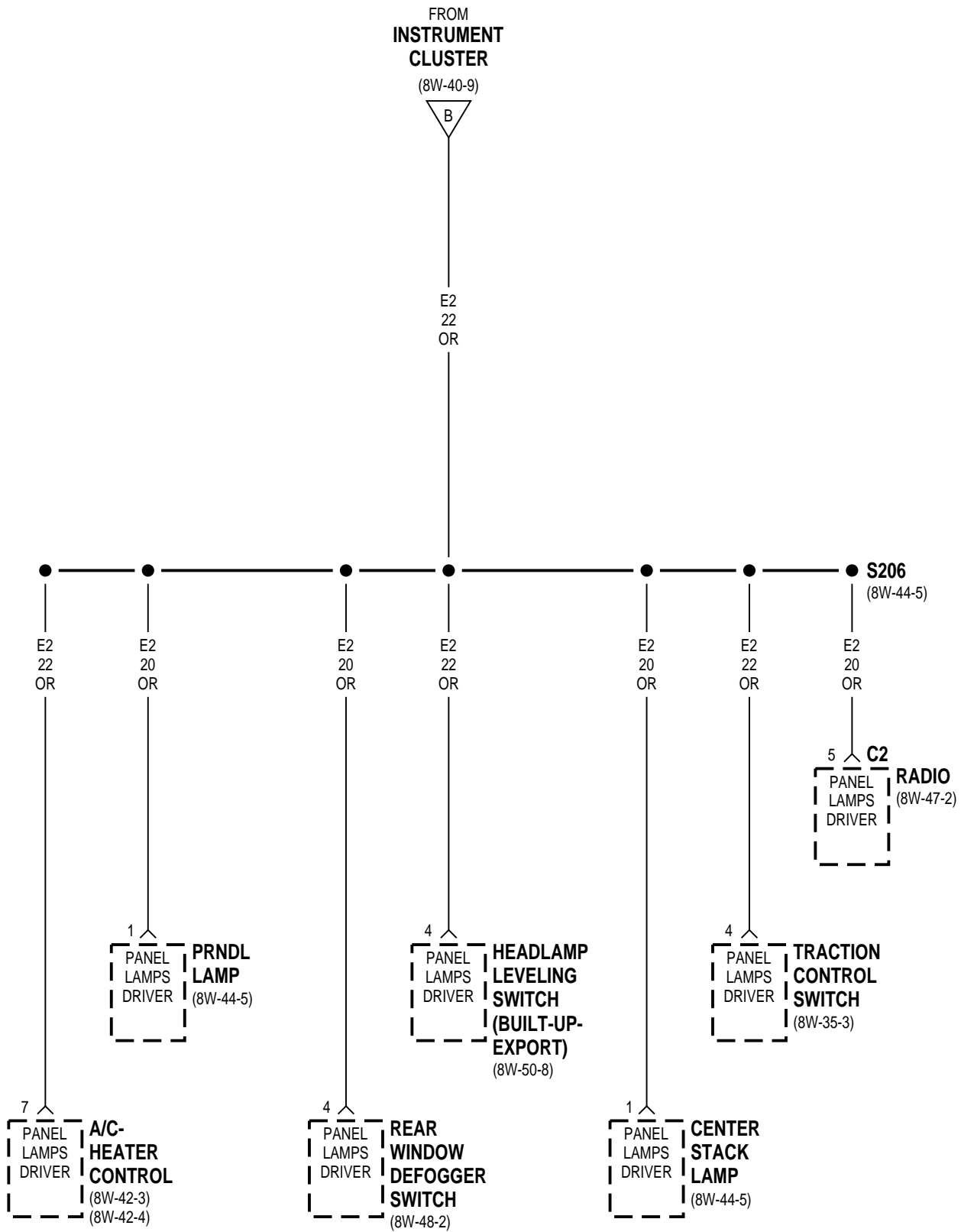


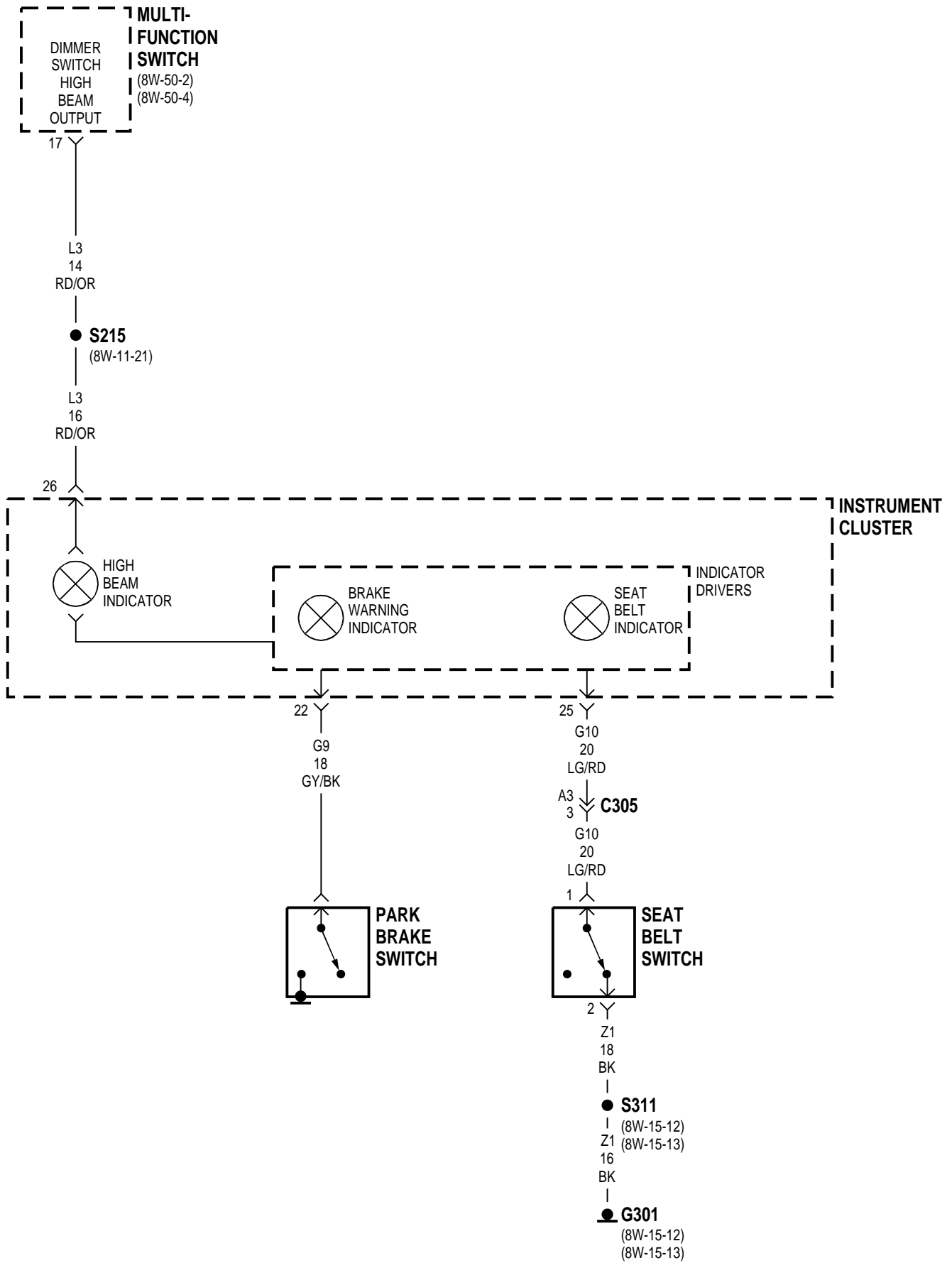


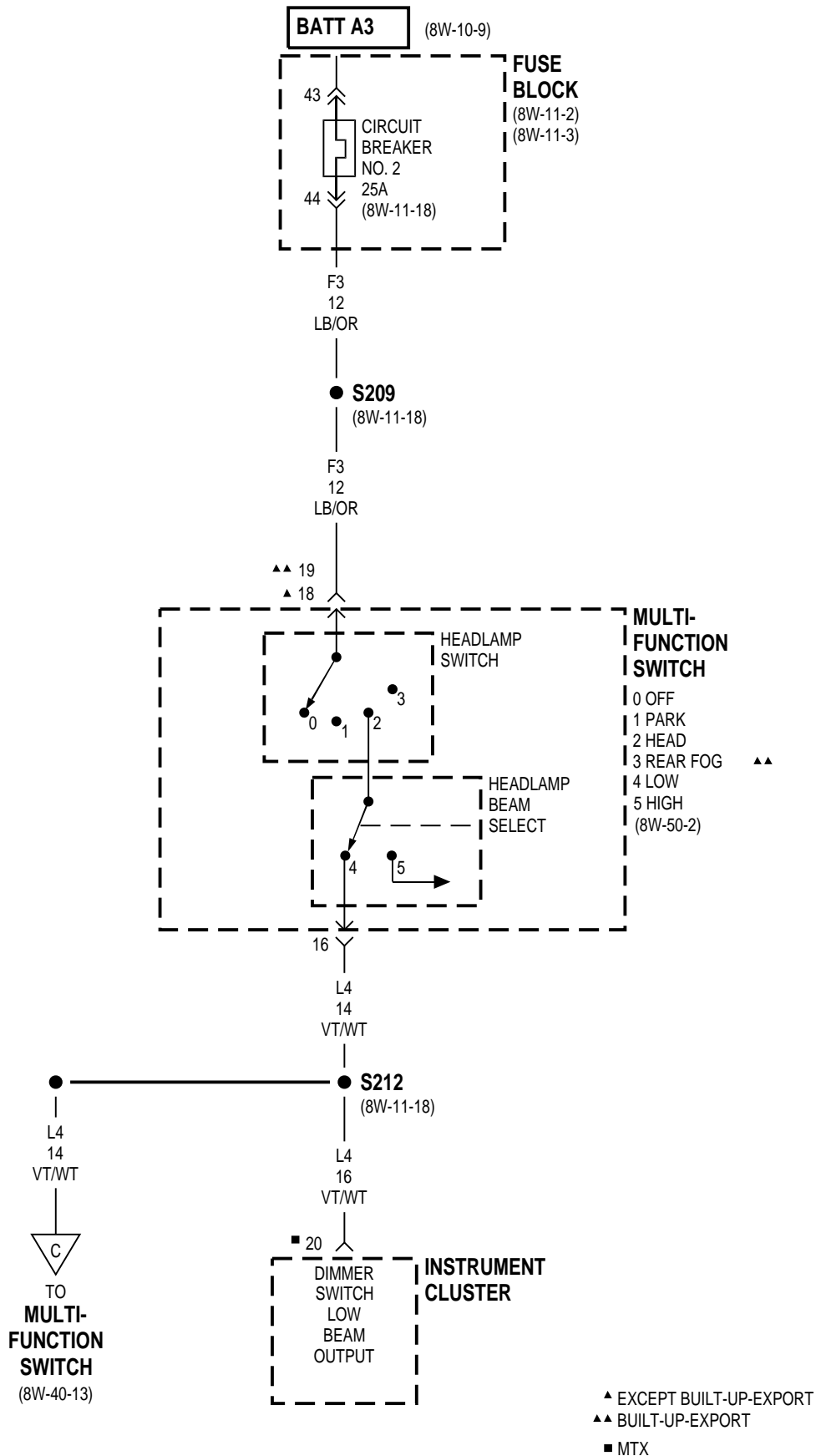


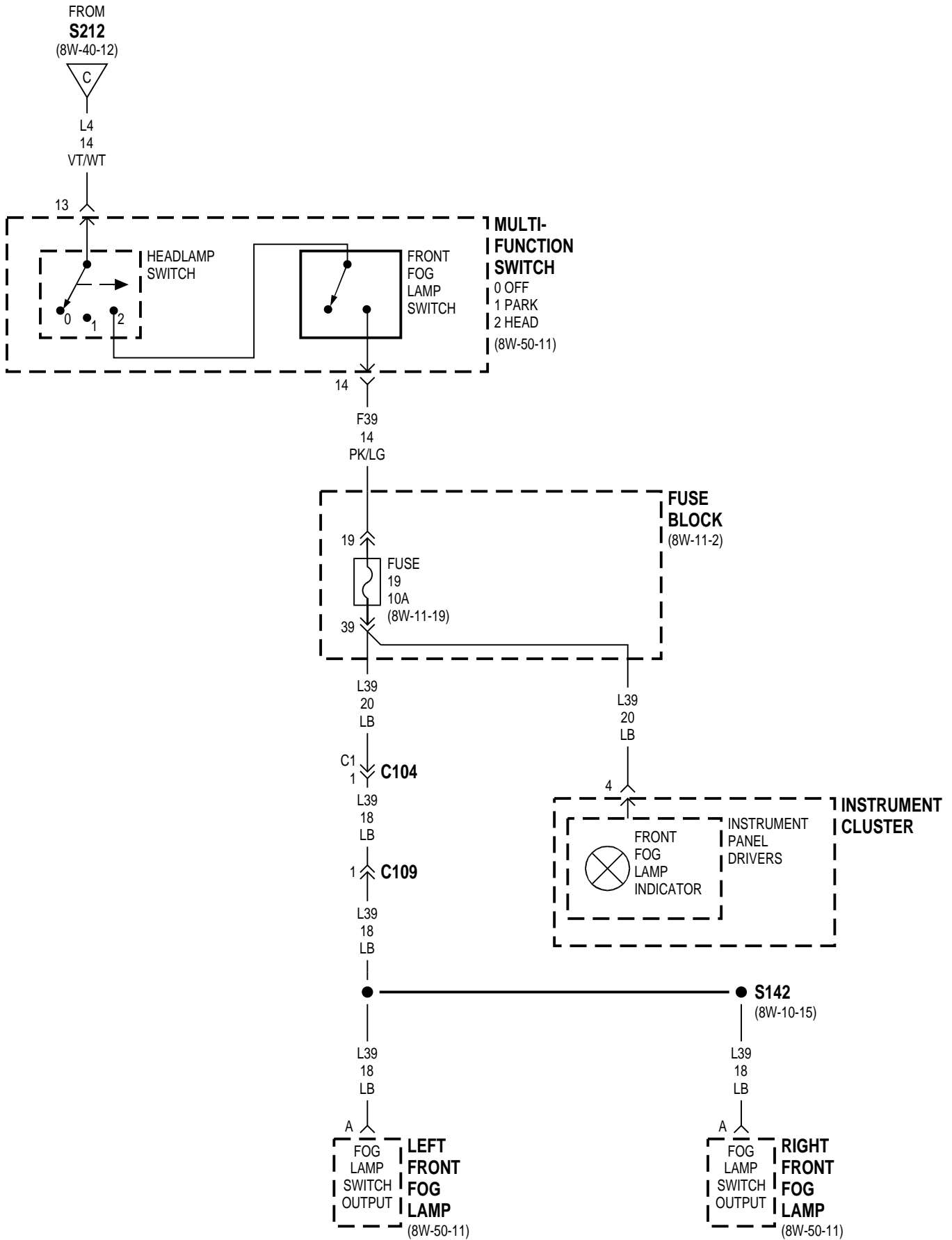


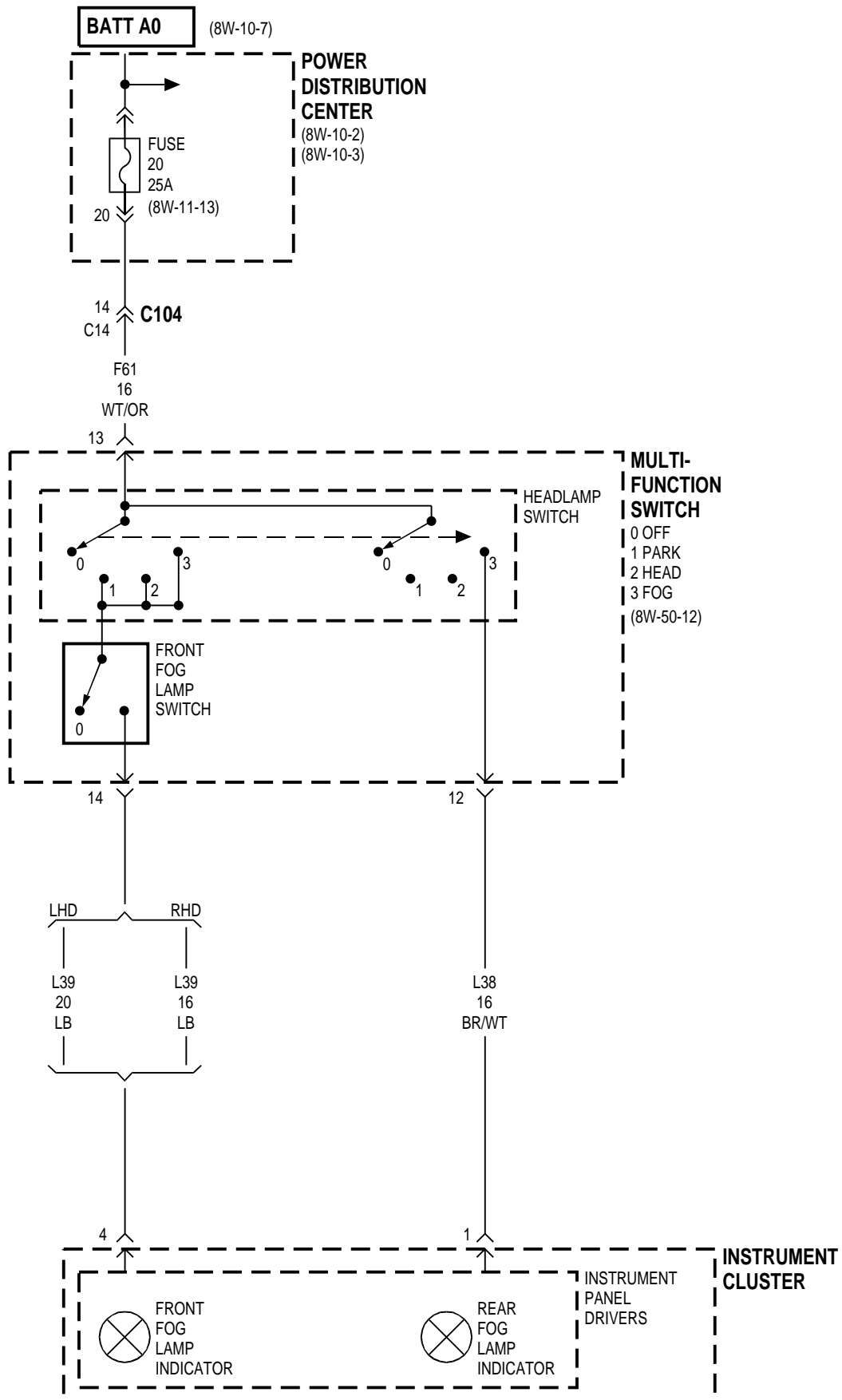






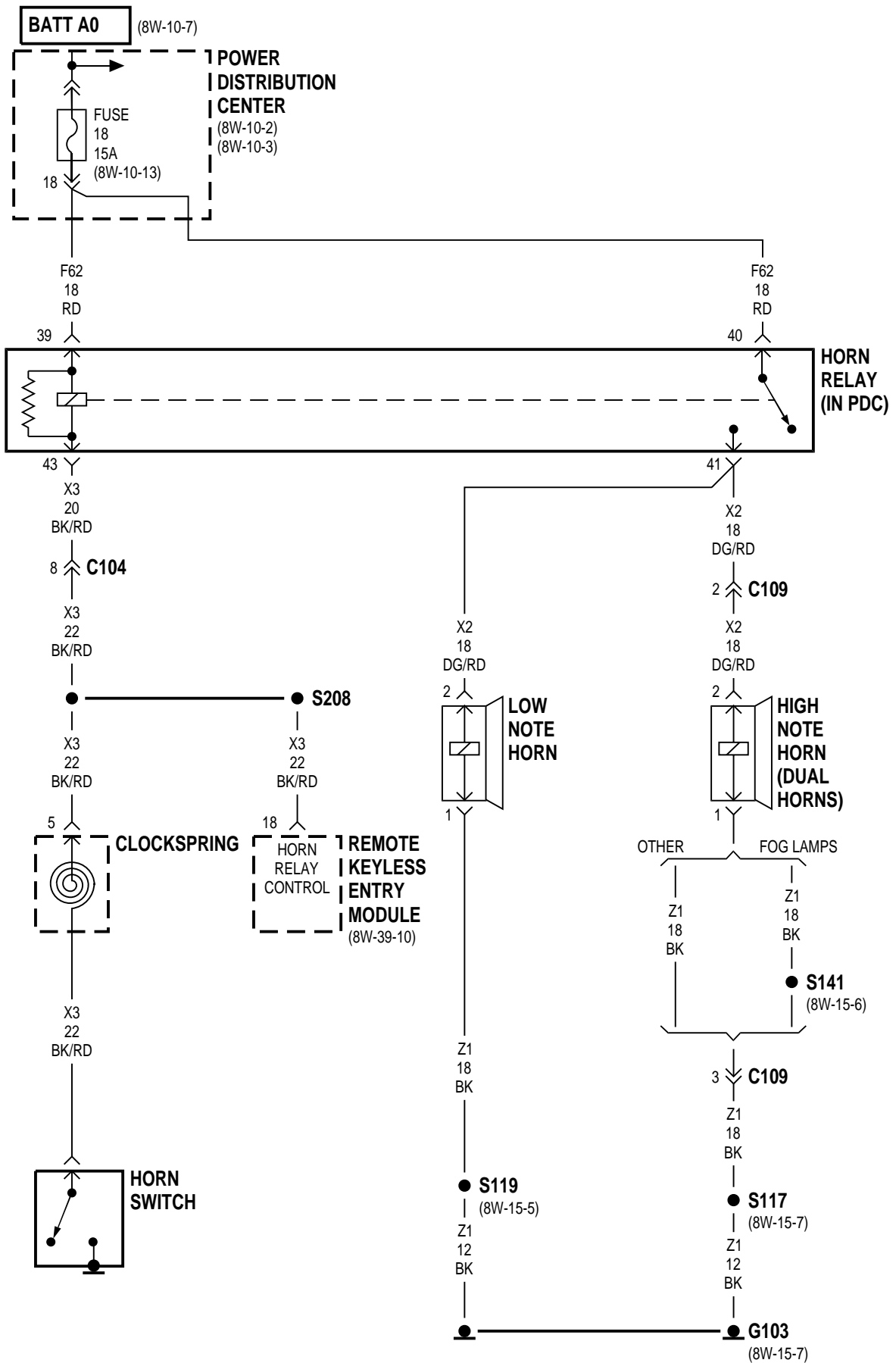


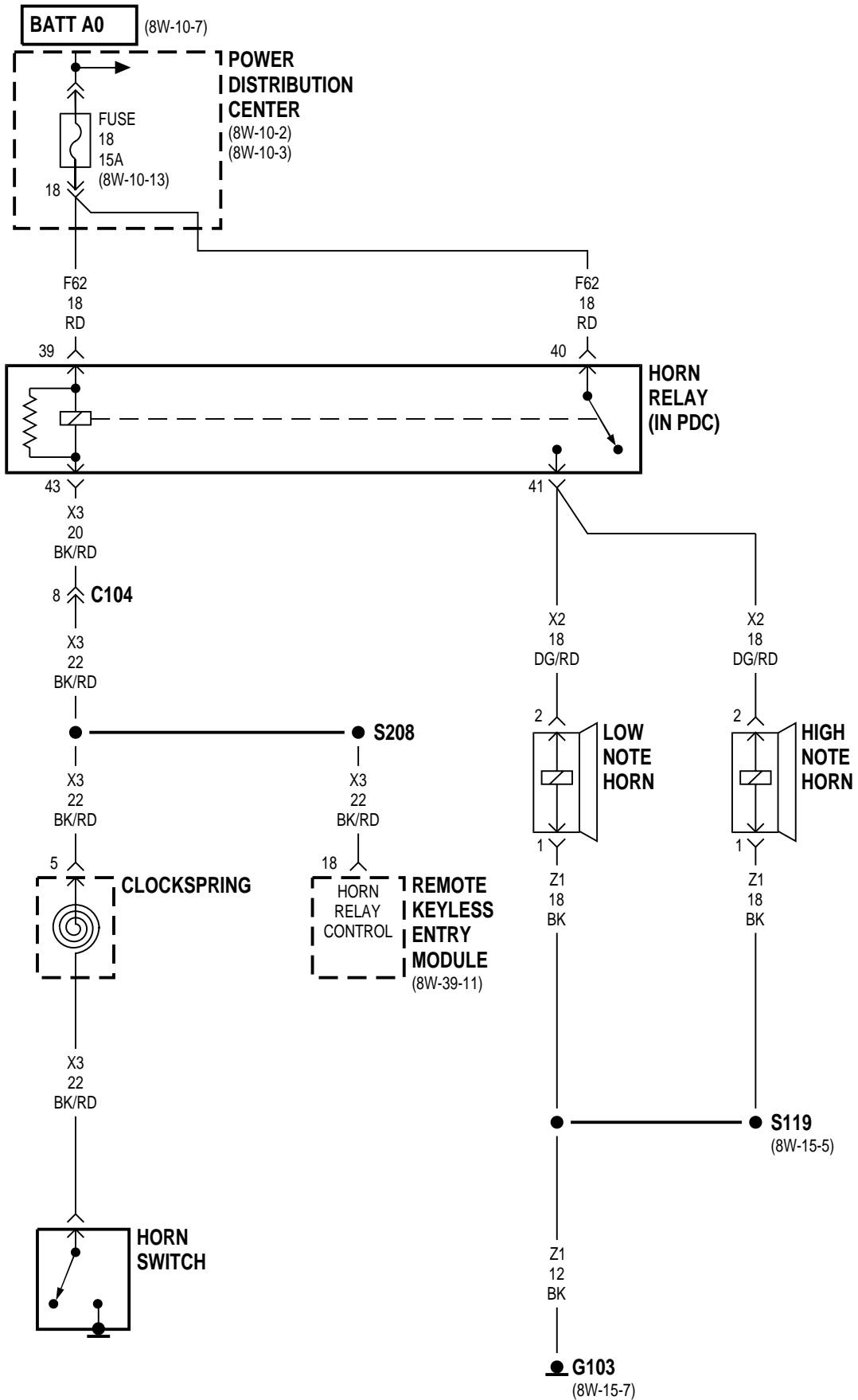


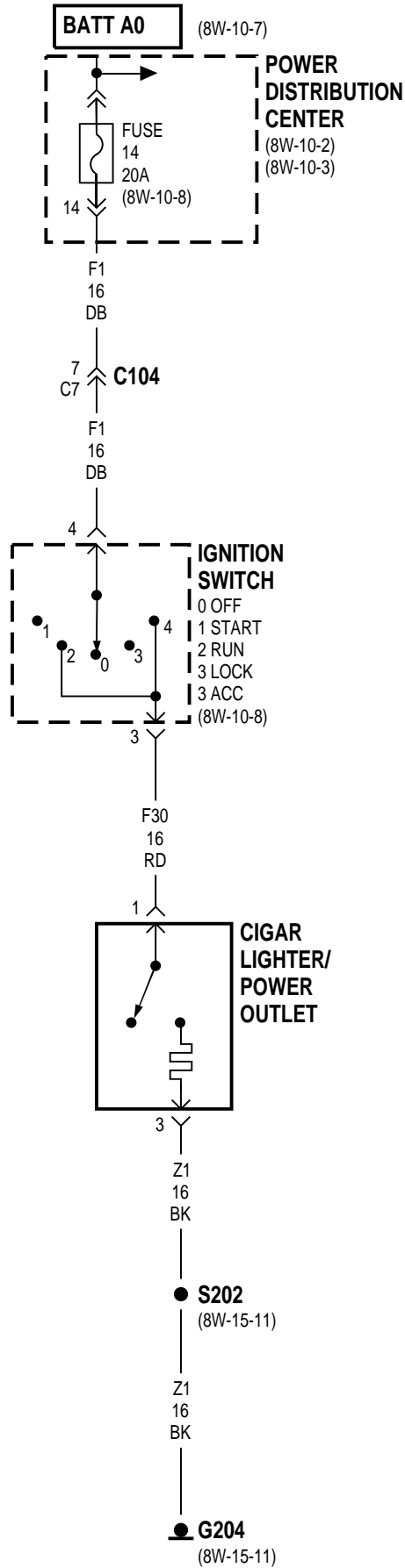


8W-41 HORN/CIGAR LIGHTER/POWER OUTLET

Component	Page	Component	Page
Cigar Lighter/Power Outlet	8W-41-4	Horn Relay	8W-41-2, 3
Clockspring	8W-41-2, 3	Horn Switch	8W-41-2, 3
Fuse 14 (PDC)	8W-41-4	Ignition Switch	8W-41-4
Fuse 18 (PDC)	8W-41-2, 3	Low Note Horn	8W-41-2, 3
G103	8W-41-2, 3	Power Distribution Center	8W-41-2, 3, 4
G204	8W-41-4	Remote Keyless Entry Module	8W-41-2, 3
High Note Horn	8W-41-2, 3		

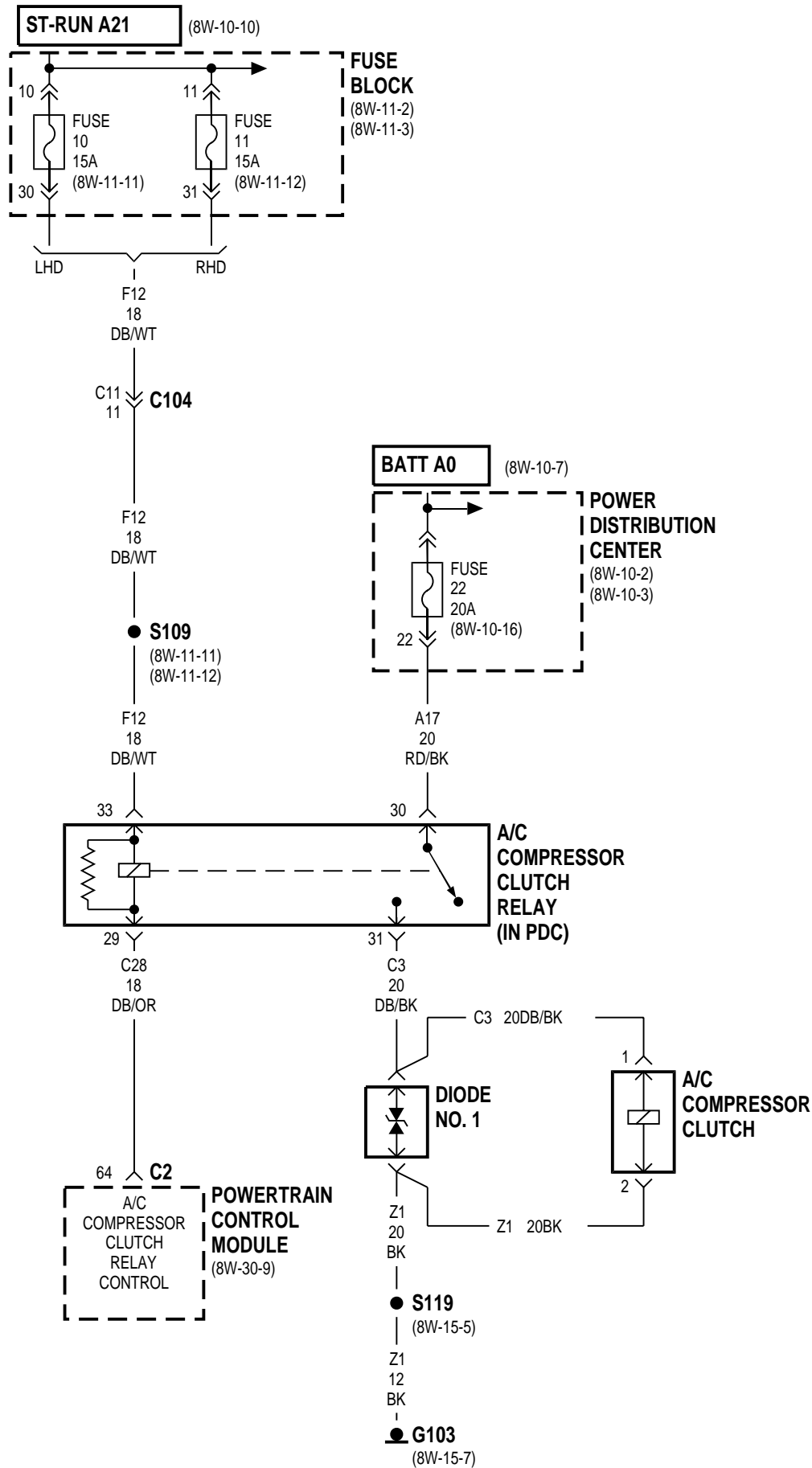


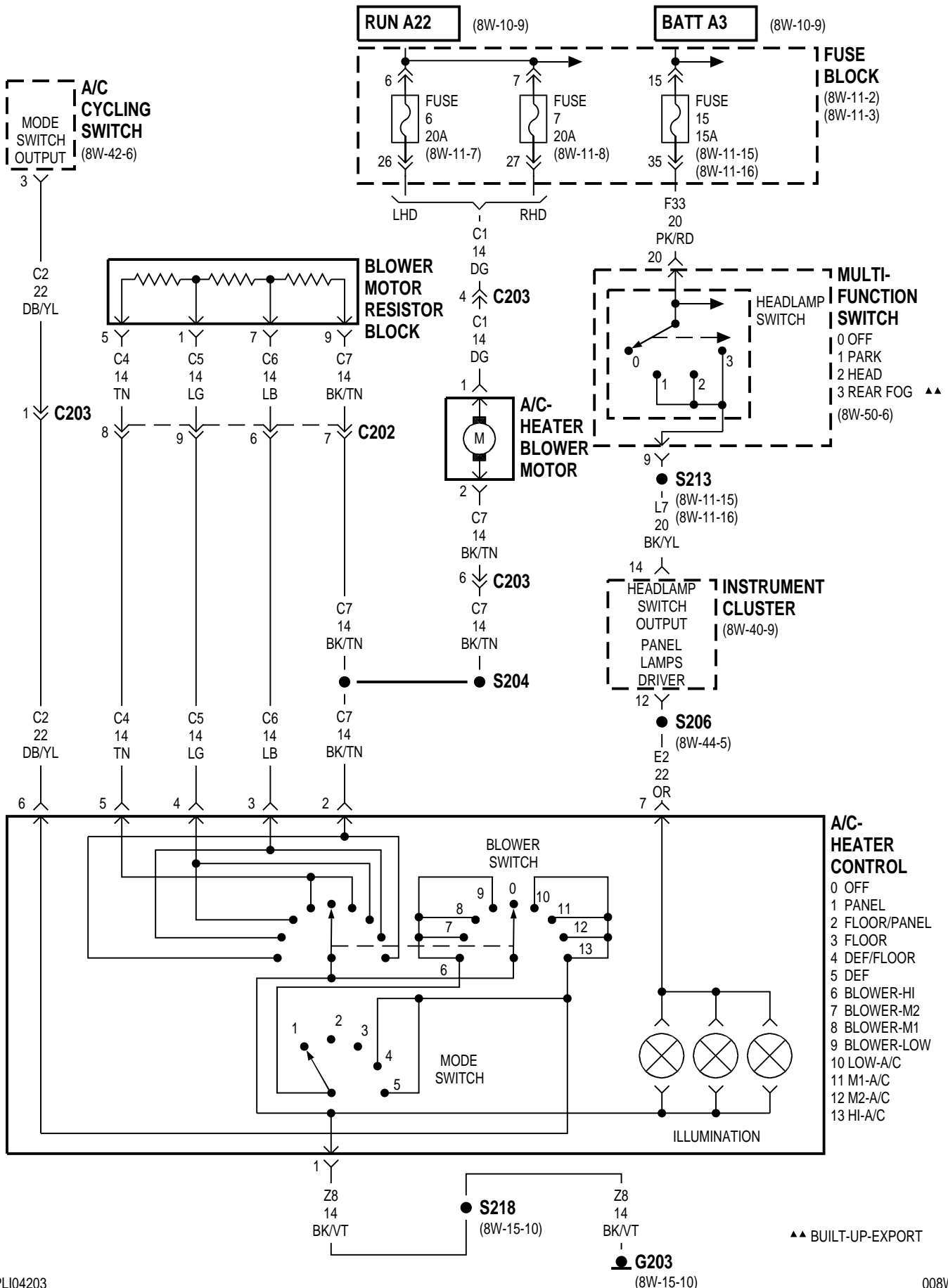




8W-42 AIR CONDITIONING-HEATER

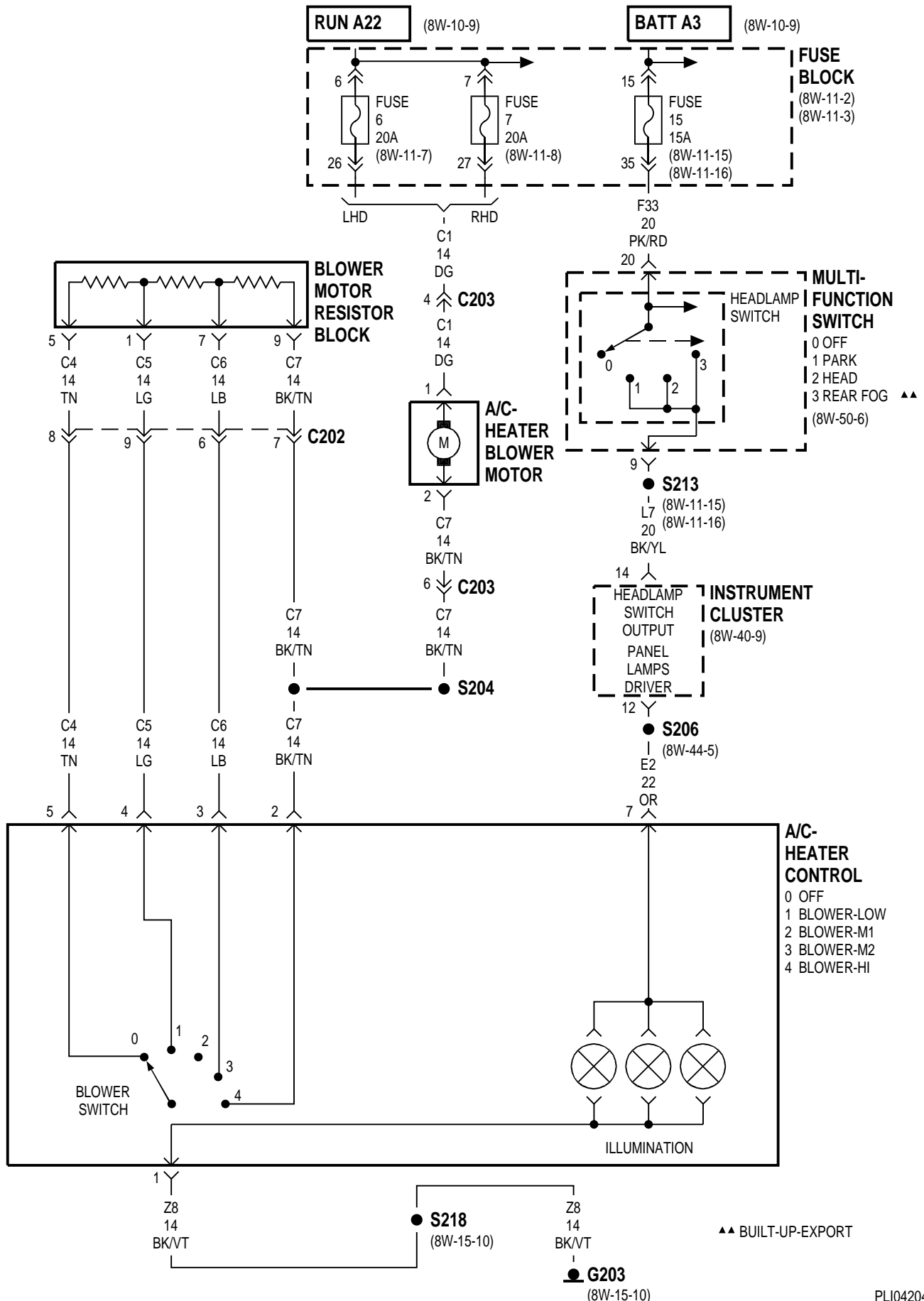
Component	Page	Component	Page
A/C Compressor Clutch	8W-42-2	Fuse 11 (FB)	8W-42-2, 5
A/C Compressor Clutch Relay	8W-42-2	Fuse 15 (FB)	8W-42-3, 4
A/C Cycling Switch	8W-42-3, 5, 6	Fuse 22 (PDC)	8W-42-2
A/C High Pressure Switch	8W-42-5	Fuse Block	8W-42-2, 3, 4, 5, 6
A/C Low Pressure Switch	8W-42-5, 6	G103	8W-42-2, 5
A/C Heater Blower Motor	8W-42-3, 4	G203	8W-42-3, 4
A/C Heater Control	8W-42-3, 4, 6	Instrument Cluster	8W-42-3, 4
Blower Motor Resistor Block	8W-42-3, 4	Multi-Function Switch	8W-42-3, 4
Diode No. 1	8W-42-2	Power Distribution Center	8W-42-2, 5
Fuse 6 (FB)	8W-42-3, 4, 6	Powertrain Control Module	8W-42-2, 5
Fuse 6 (PDC)	8W-42-5	Radiator Fan Motor	8W-42-5
Fuse 7 (FB)	8W-42-3, 4, 6	Radiator Fan Relay	8W-42-5
Fuse 10 (FB)	8W-42-2, 5		

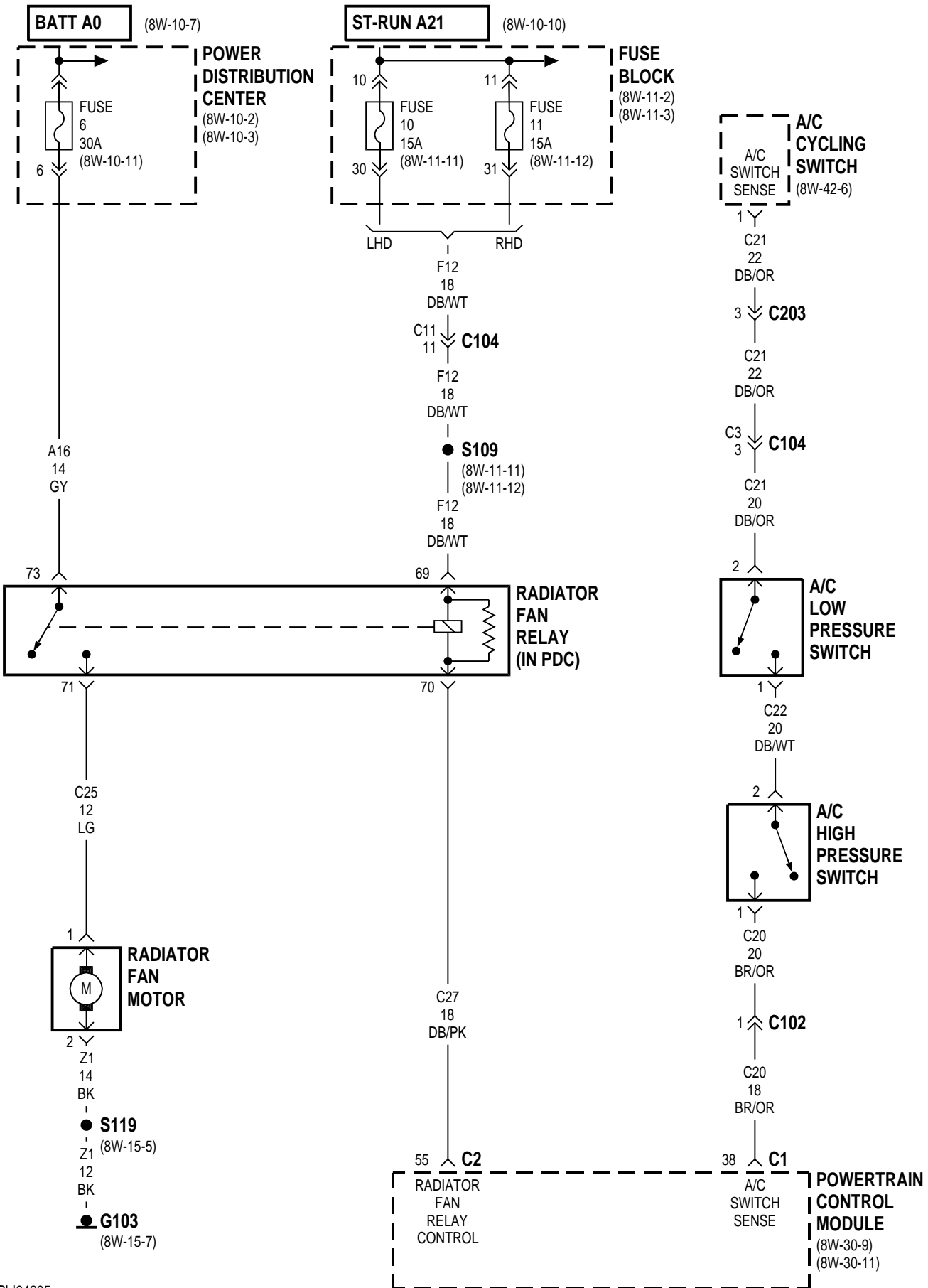


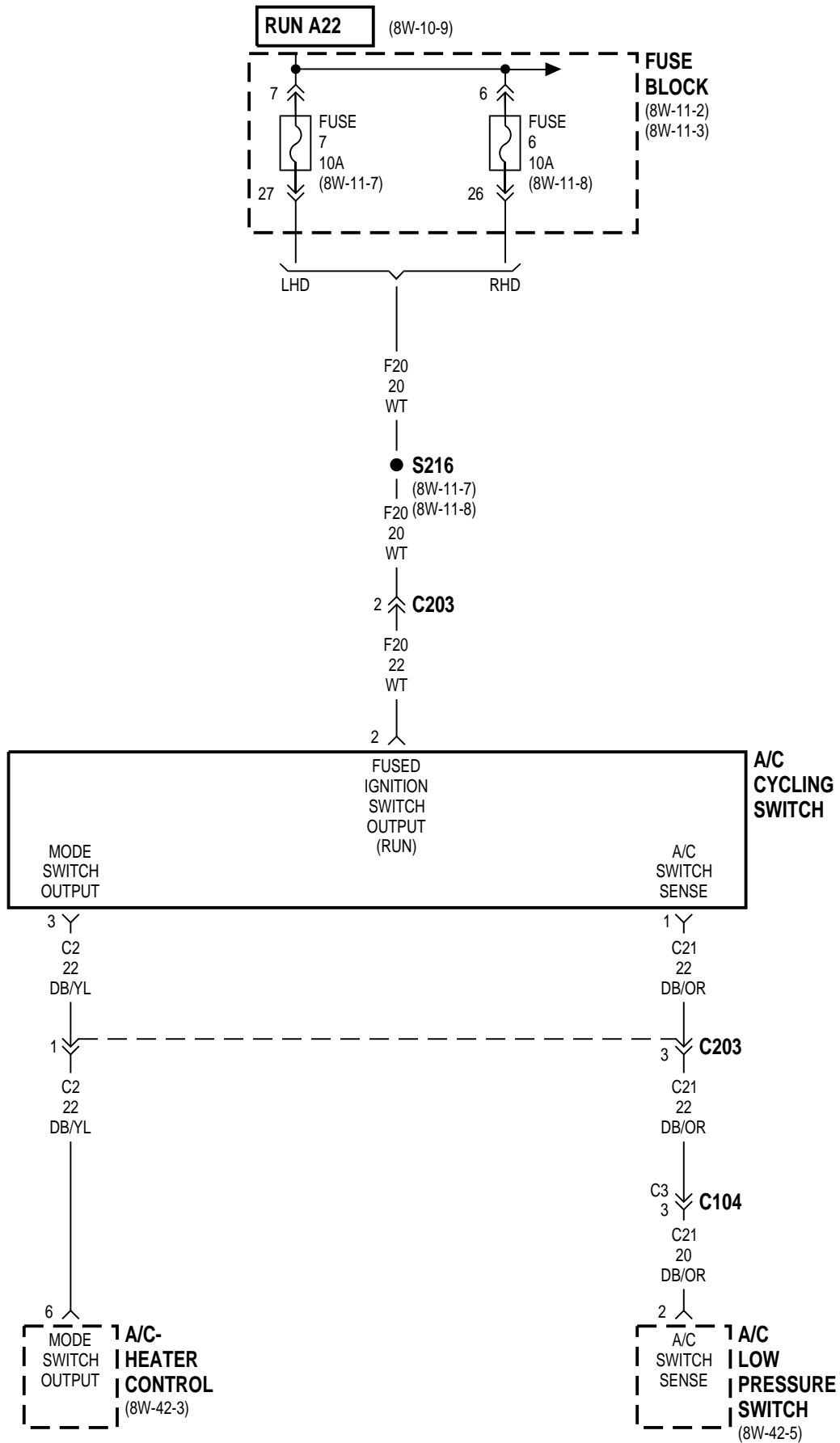


▲▲ BUILT-UP-EXPORT

HEATER ONLY

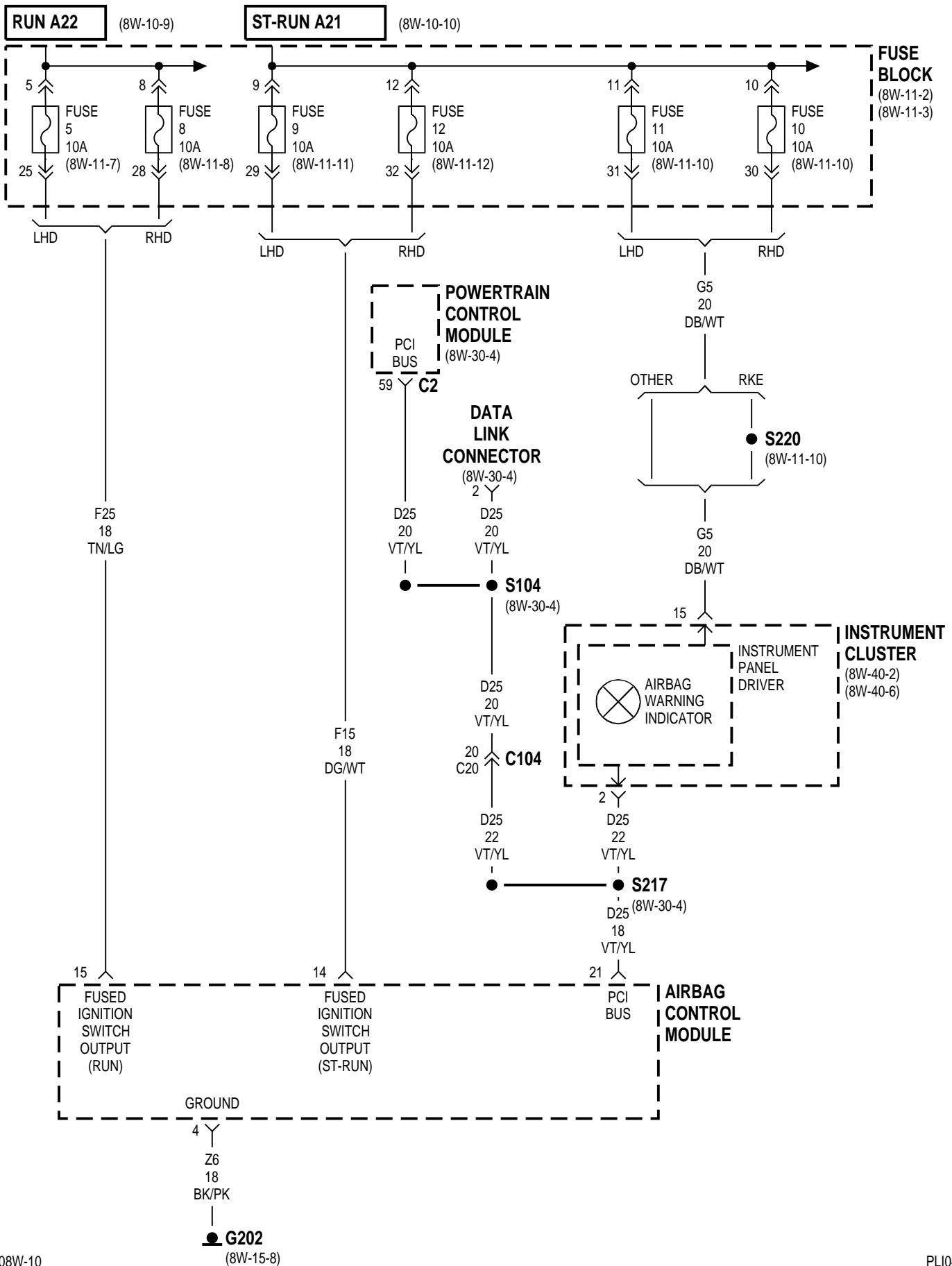


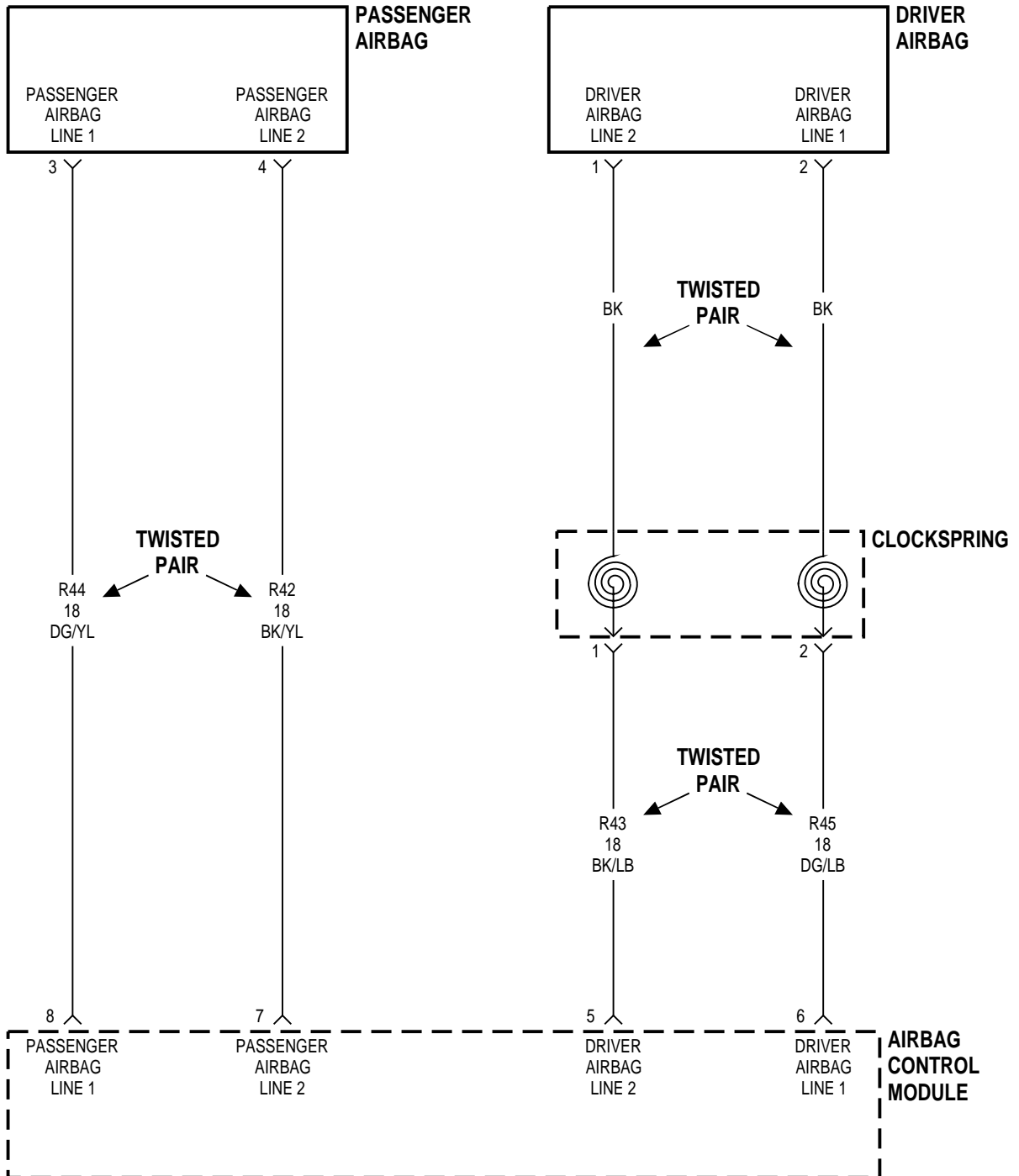




8W-43 AIRBAG SYSTEM

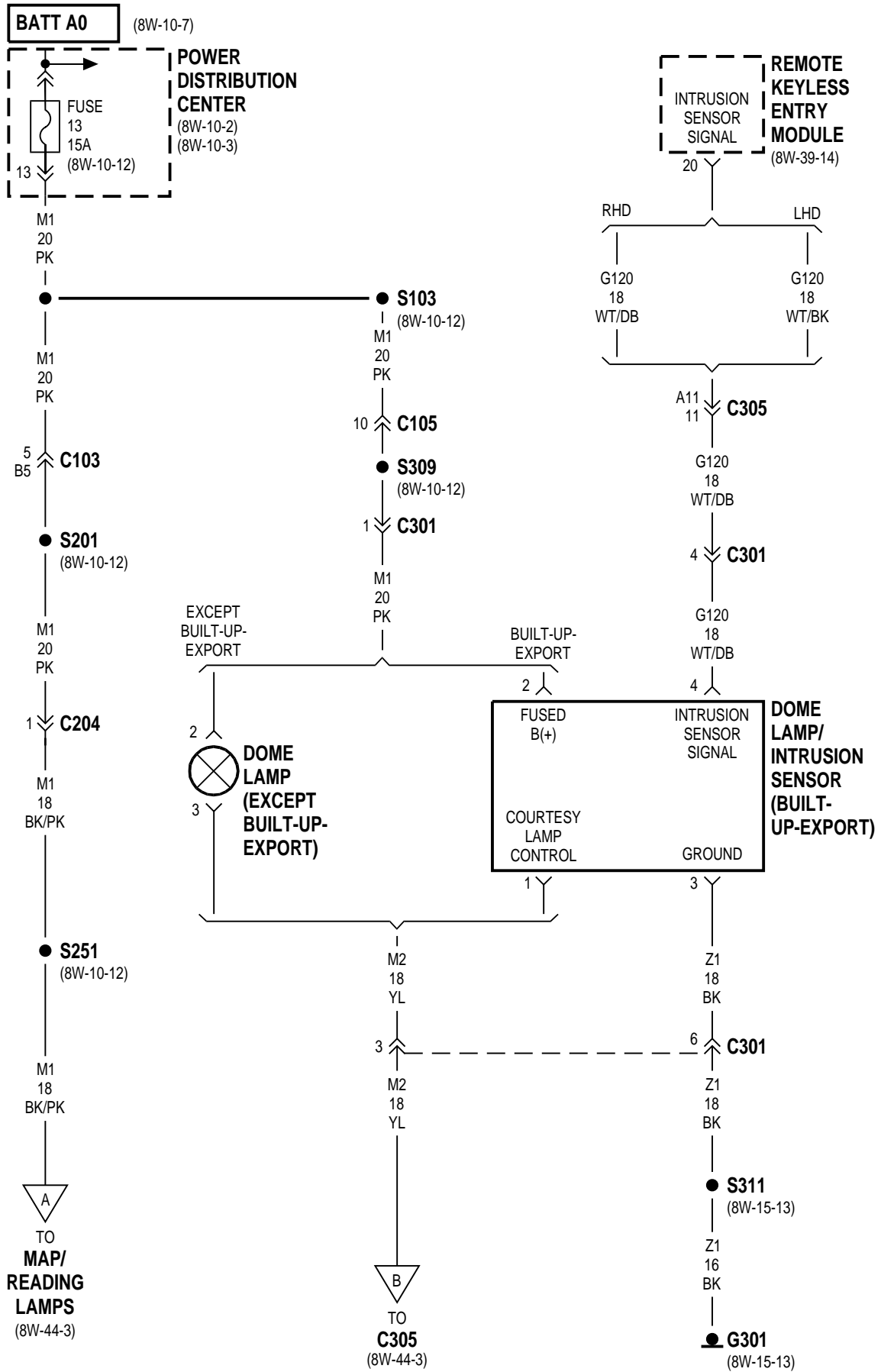
Component	Page	Component	Page
Airbag Control Module	8W-43-2, 3	Fuse 11 (FB)	8W-43-2
Clockspring	8W-43-3	Fuse 12 (FB)	8W-43-2
Data Link Connector	8W-43-2	Fuse Block	8W-43-2
Driver Airbag	8W-43-3	G202	8W-43-2
Fuse 5 (FB)	8W-43-2	Instrument Cluster	8W-43-2
Fuse 8 (FB)	8W-43-2	Passenger Airbag	8W-43-3
Fuse 9 (FB)	8W-43-2	Powertrain Control Module	8W-43-2
Fuse 10 (FB)	8W-43-2		

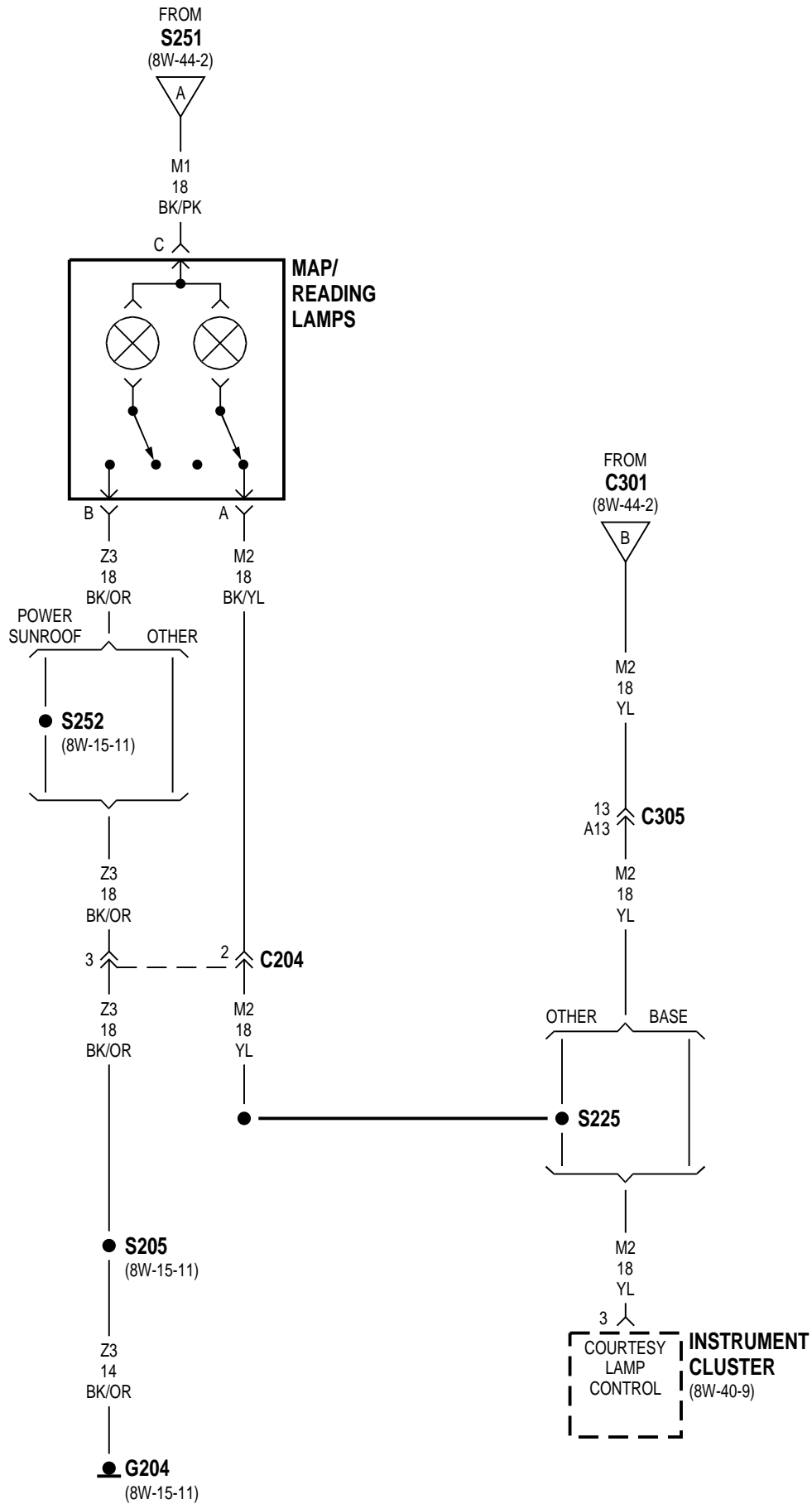


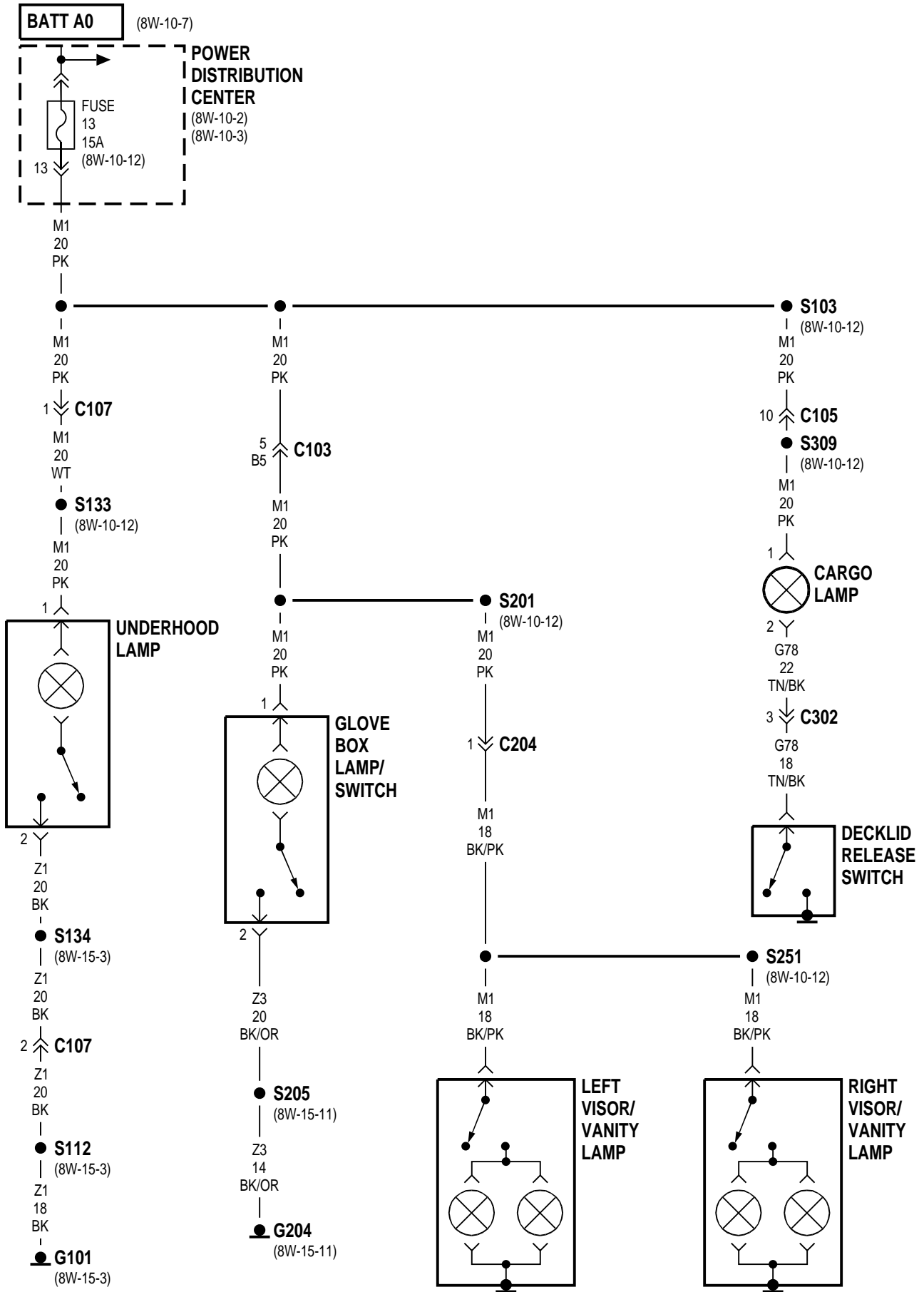


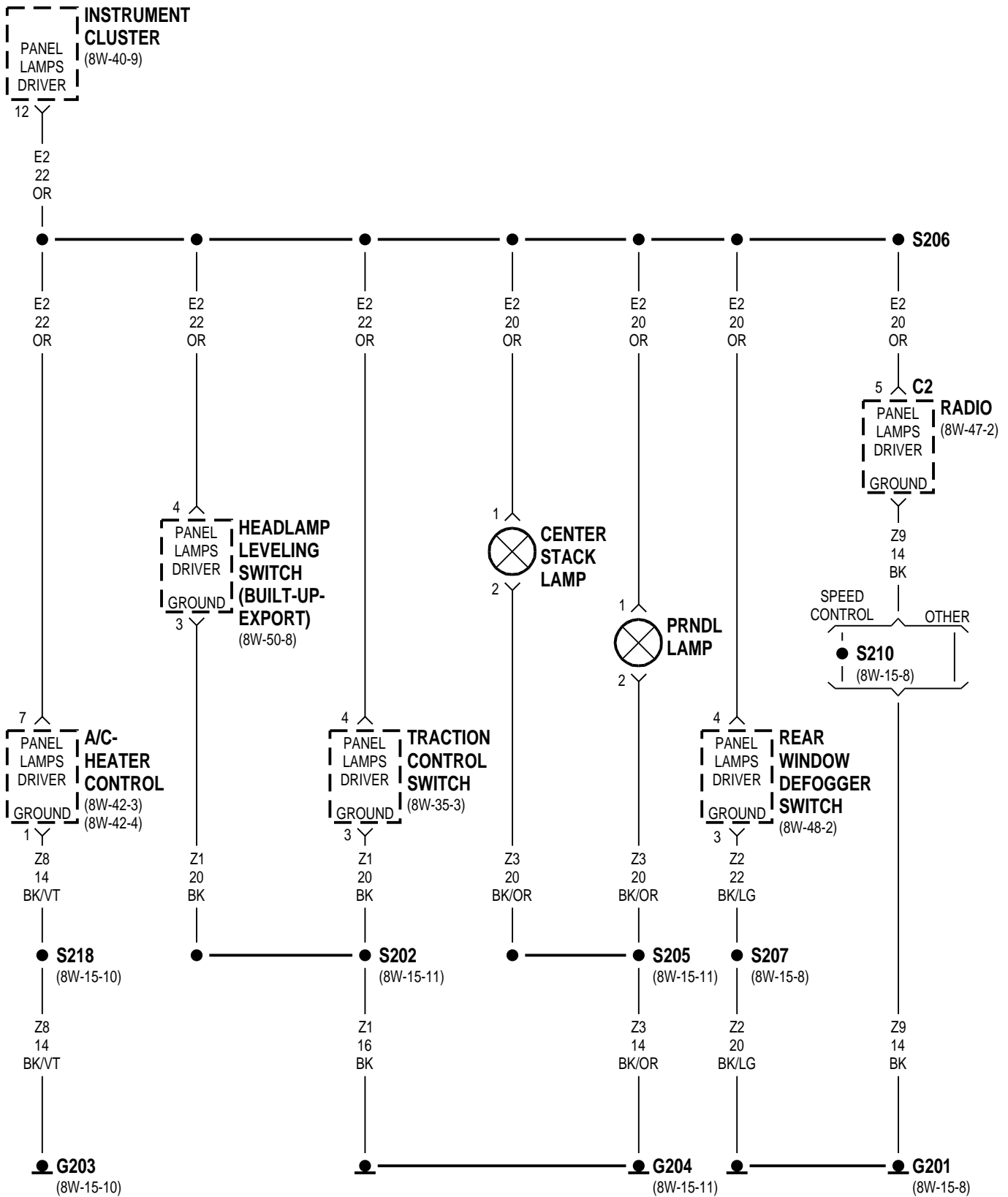
8W-44 INTERIOR LIGHTING

Component	Page	Component	Page
A/C Heater Control	8W-44-5	Headlamp Leveling Switch	8W-44-5
Cargo Lamp	8W-44-4	Instrument Cluster	8W-44-3, 5
Center Stack Lamp	8W-44-5	Left Visor/Vanity Lamp	8W-44-4
Decklid Release Switch	8W-44-4	Map/Reading Lamps	8W-44-2, 3
Dome Lamp	8W-44-2	Power Distribution Center	8W-44-2, 4
Dome Lamp/Intrusion Sensor	8W-44-2	PRNDL Lamp	8W-44-5
Fuse 13 (PDC)	8W-44-2, 4	Radio	8W-44-5
G101	8W-44-4	Rear Window Defogger Switch	8W-44-5
G201	8W-44-5	Remote Keyless Entry Module	8W-44-2
G203	8W-44-5	Right Visor/Vanity Lamp	8W-44-4
G204	8W-44-3, 4, 5	Traction Control Switch	8W-44-5
G301	8W-44-2	Underhood Lamp	8W-44-4
Glove Box Lamp/Switch	8W-44-4		



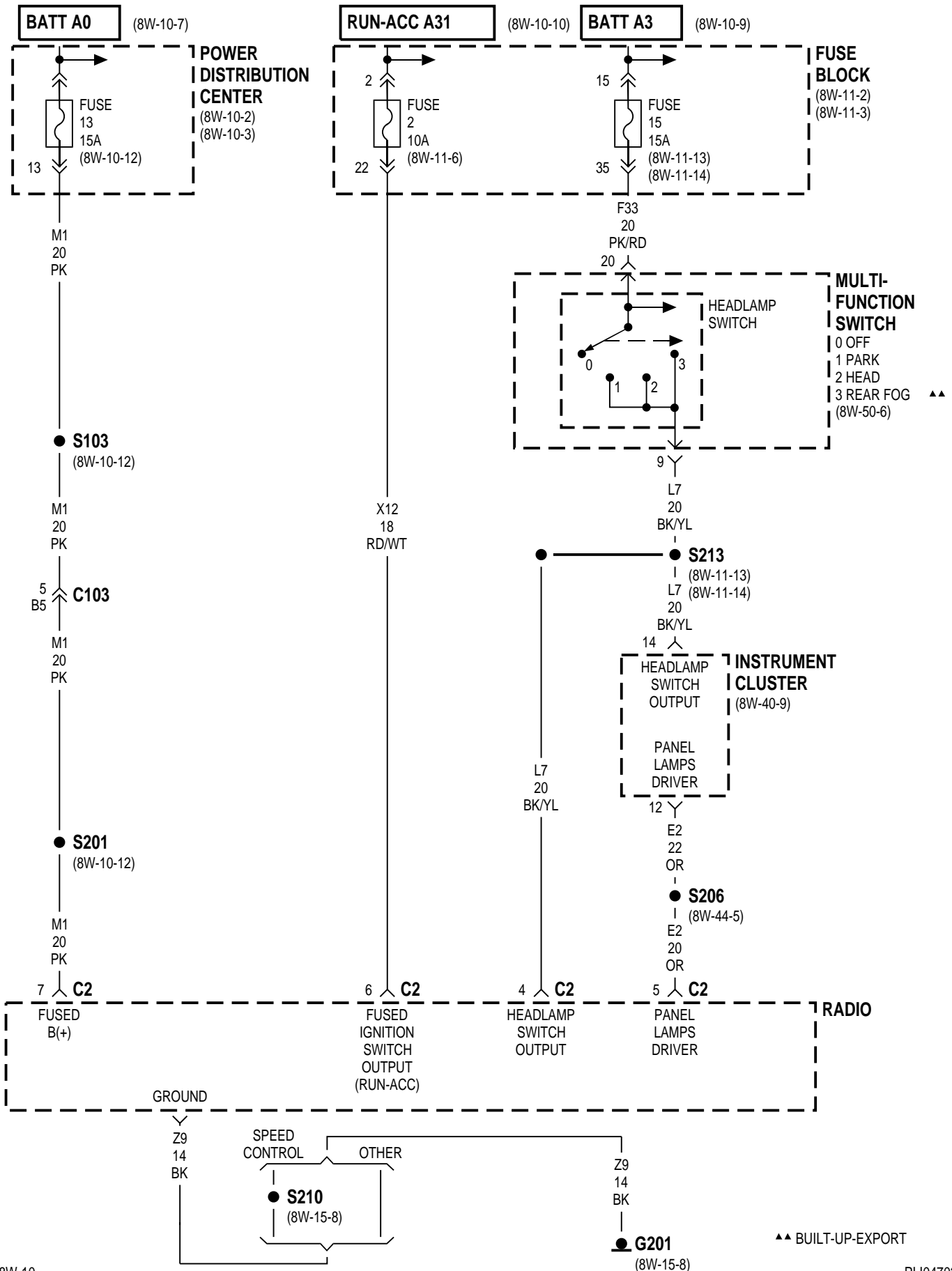


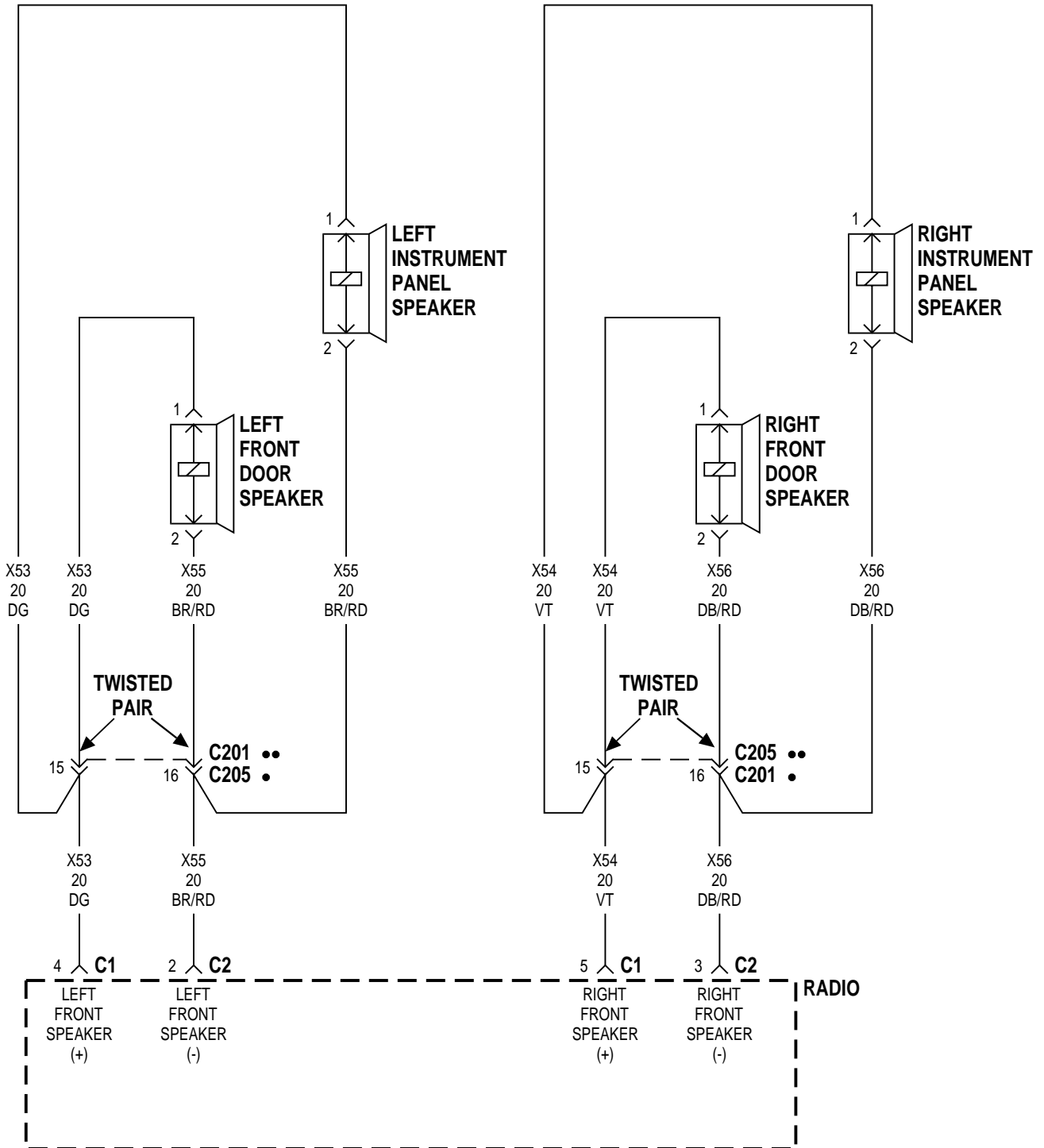


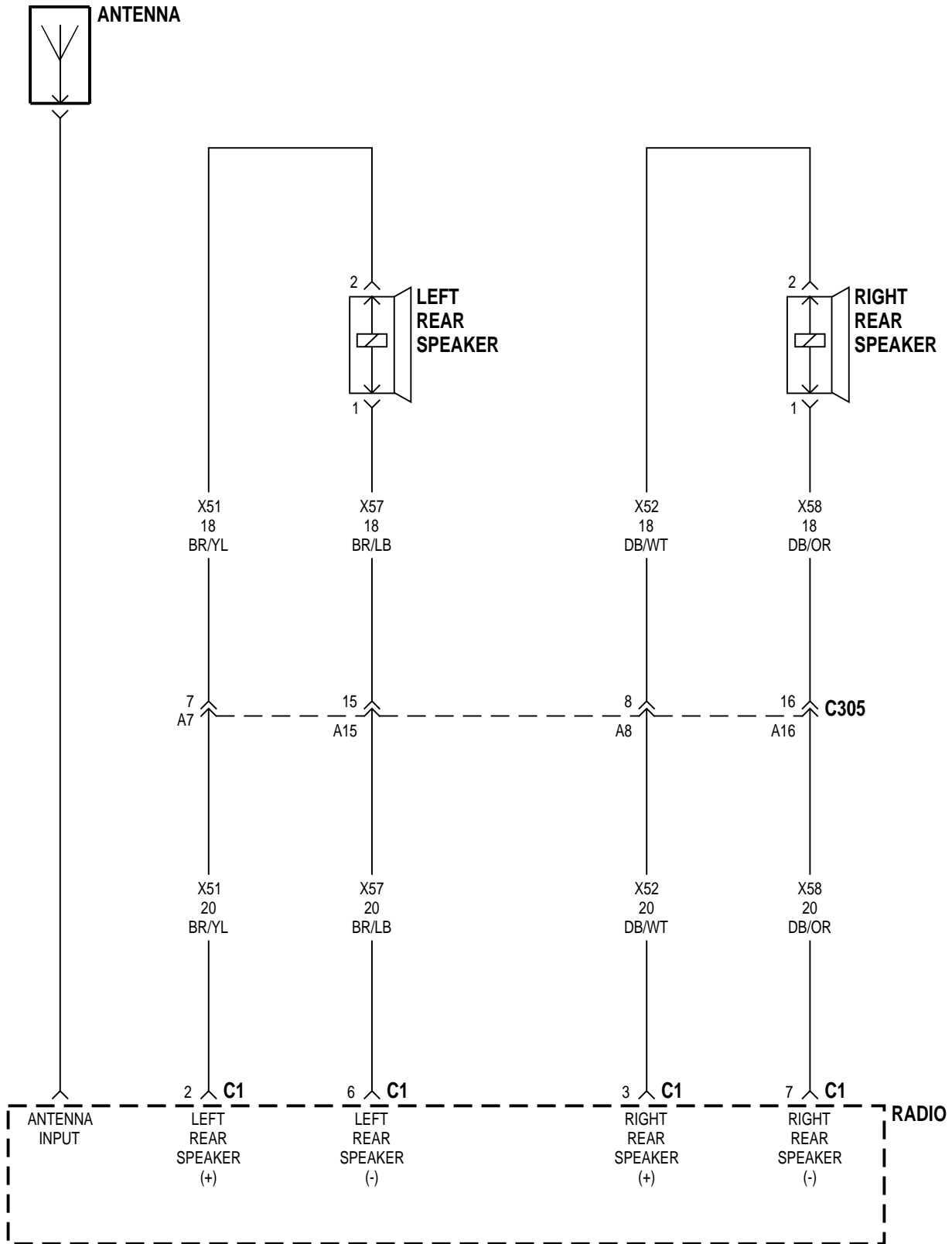


8W-47 AUDIO SYSTEM

Component	Page	Component	Page
Antenna	8W-47-4	Left Instrument Panel Speaker	8W-47-3
Fuse 2 (FB)	8W-47-2	Left Rear Speaker	8W-47-4
Fuse 13 (PDC)	8W-47-2	Multi-Function Switch	8W-47-2
Fuse 15 (FB)	8W-47-2	Power Distribution Center	8W-47-2
Fuse Block	8W-47-2	Radio	8W-47-2, 3, 4
G201	8W-47-2	Right Front Door Speaker	8W-47-3
Instrument Cluster	8W-47-2	Right Instrument Panel Speaker	8W-47-3
Left Front Door Speaker	8W-47-3	Right Rear Speaker	8W-47-4

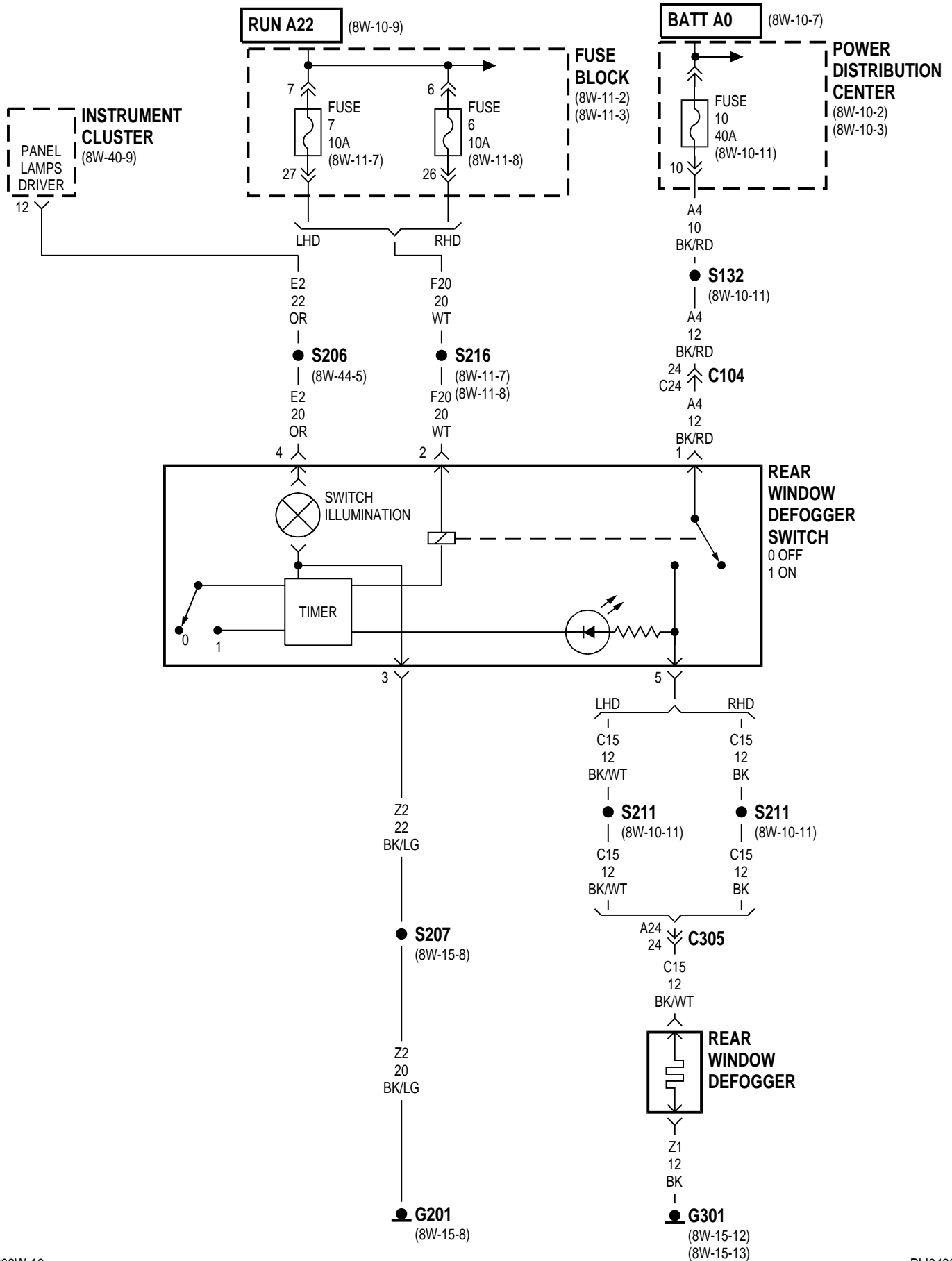






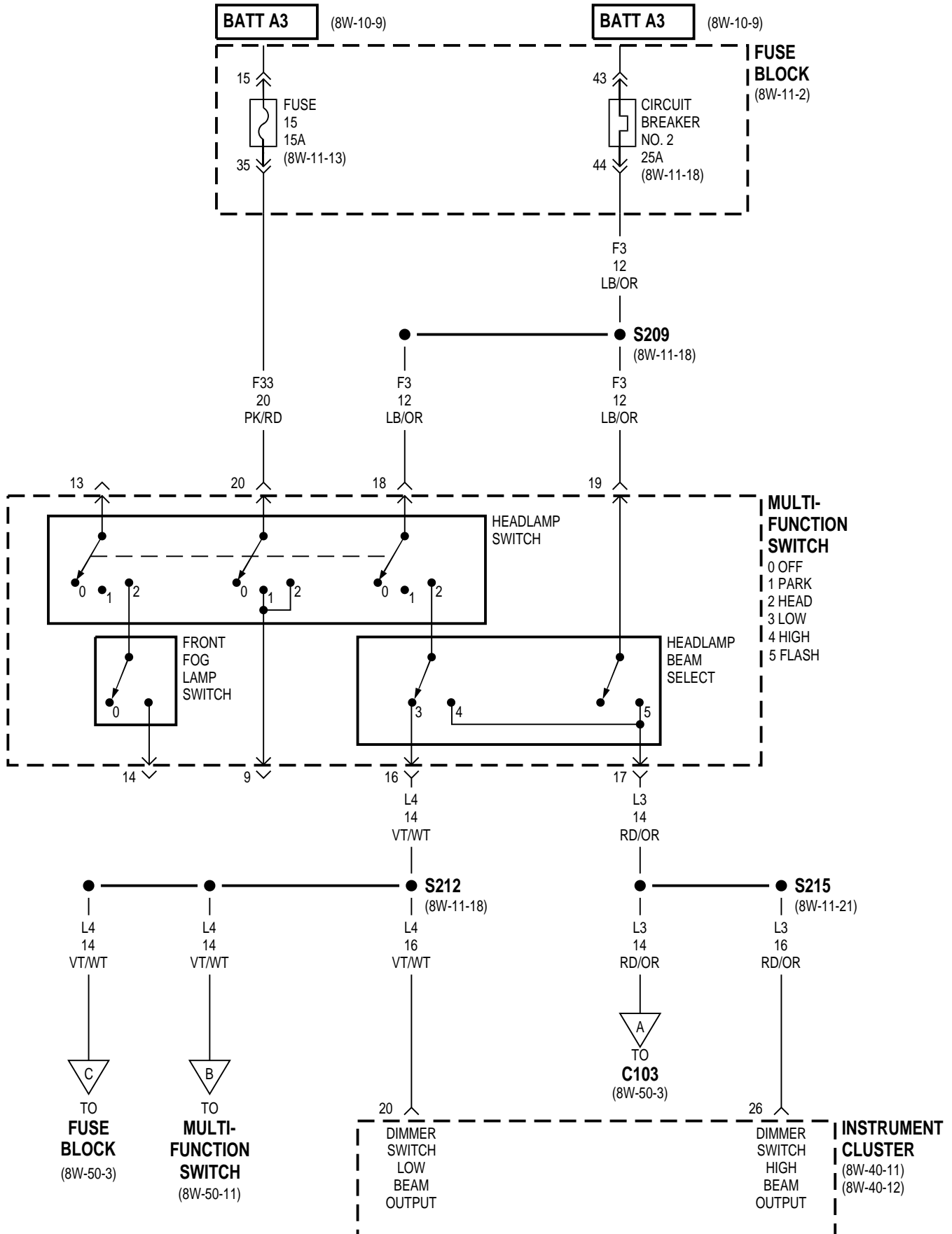
8W-48 REAR WINDOW DEFOGGER

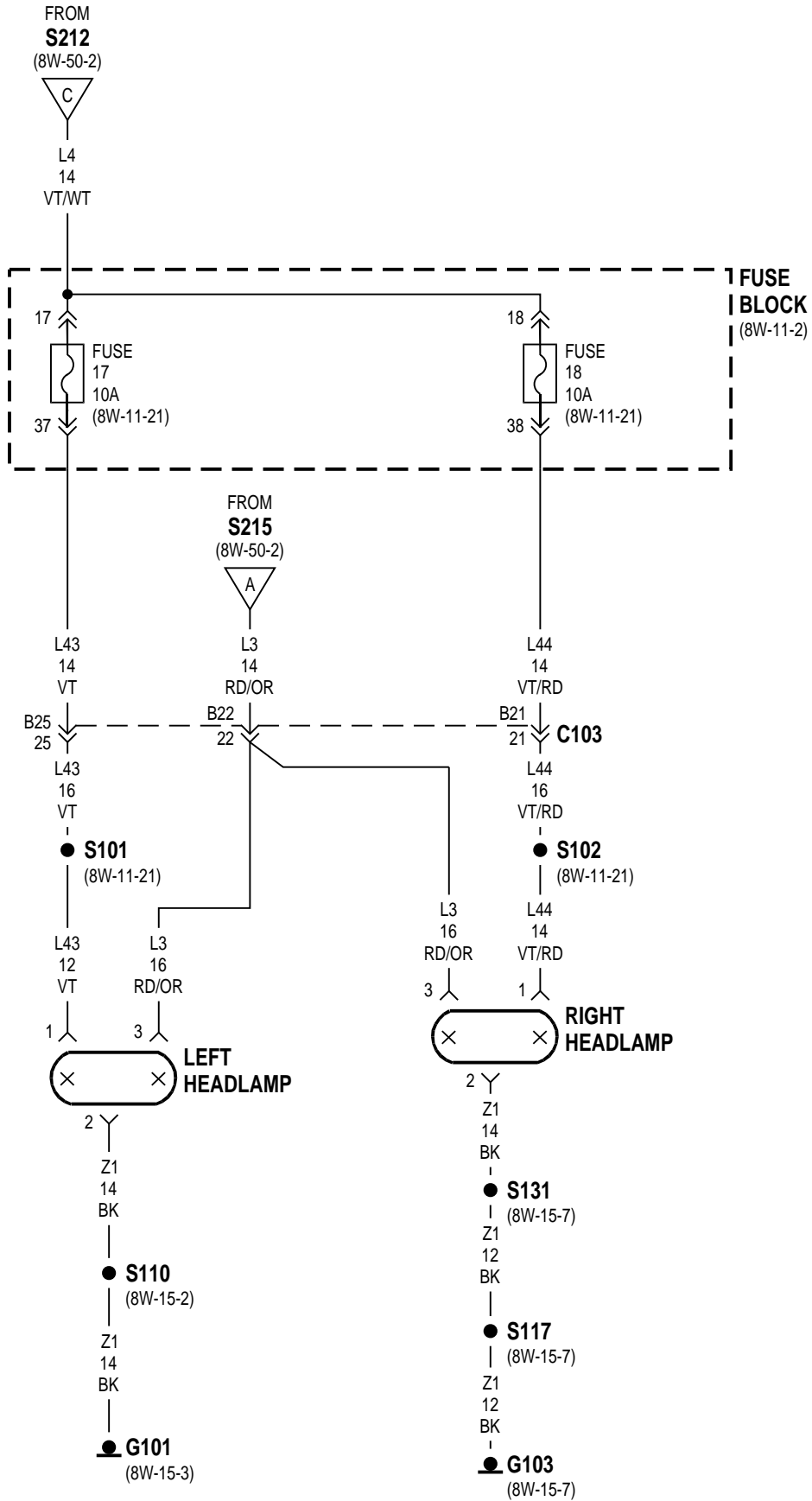
Component	Page	Component	Page
Fuse 6 (FB)	8W-48-2	G301	8W-48-2
Fuse 7 (FB)	8W-48-2	Instrument Cluster	8W-48-2
Fuse 10 (PDC)	8W-48-2	Power Distribution Center	8W-48-2
Fuse Block	8W-48-2	Rear Window Defogger	8W-48-2
G201	8W-48-2	Rear Window Defogger Switch	8W-48-2

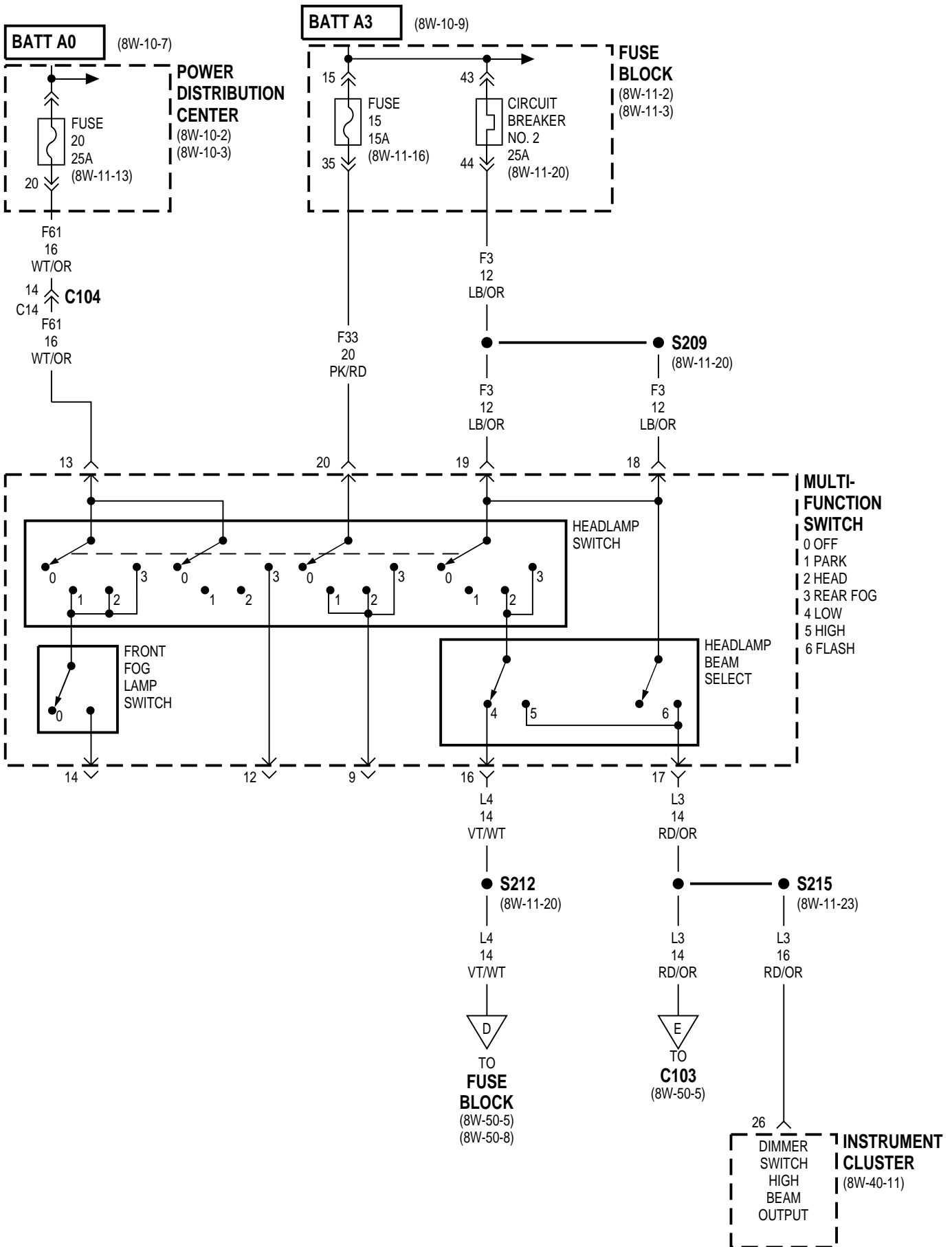


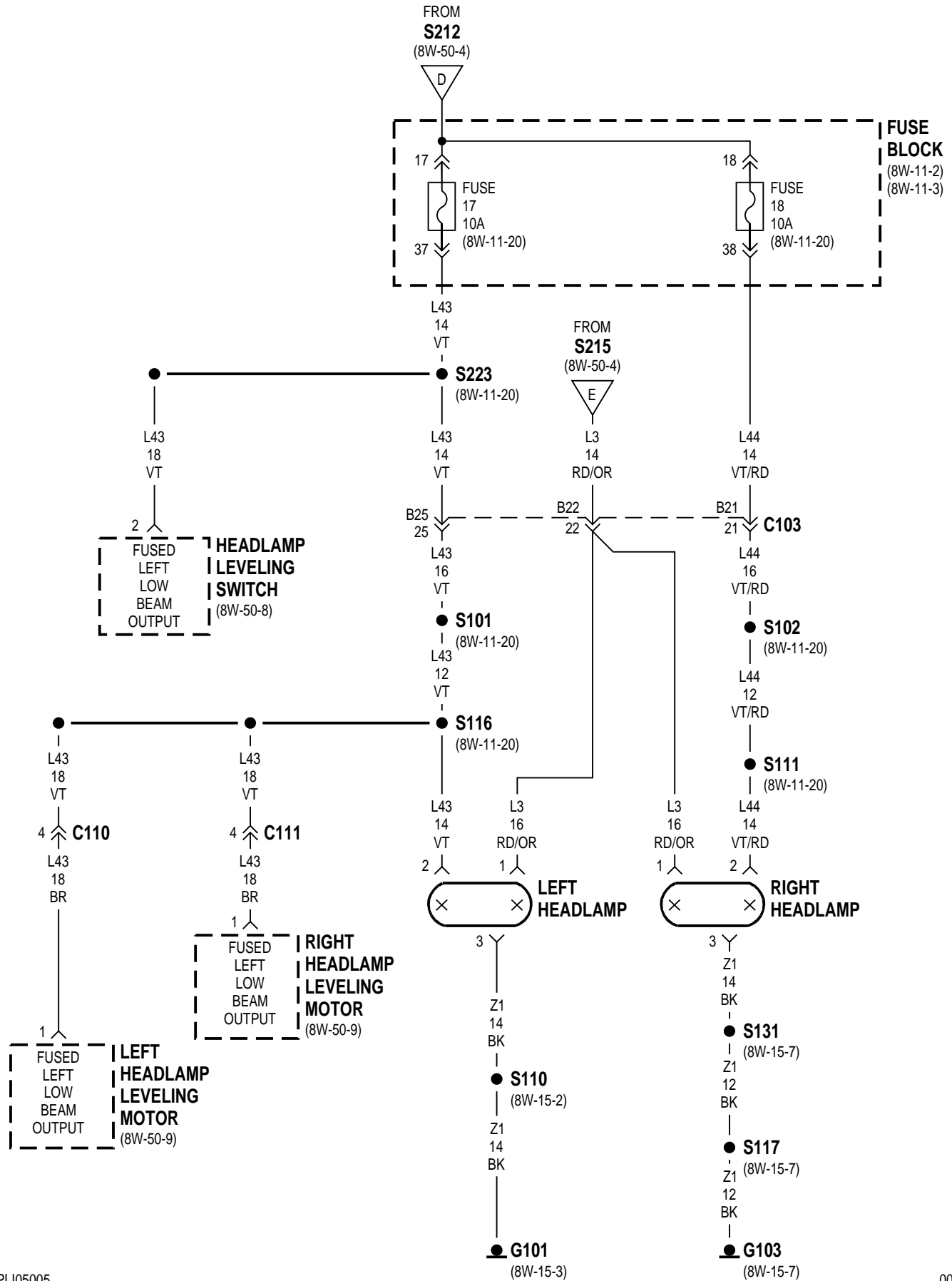
8W-50 FRONT LIGHTING

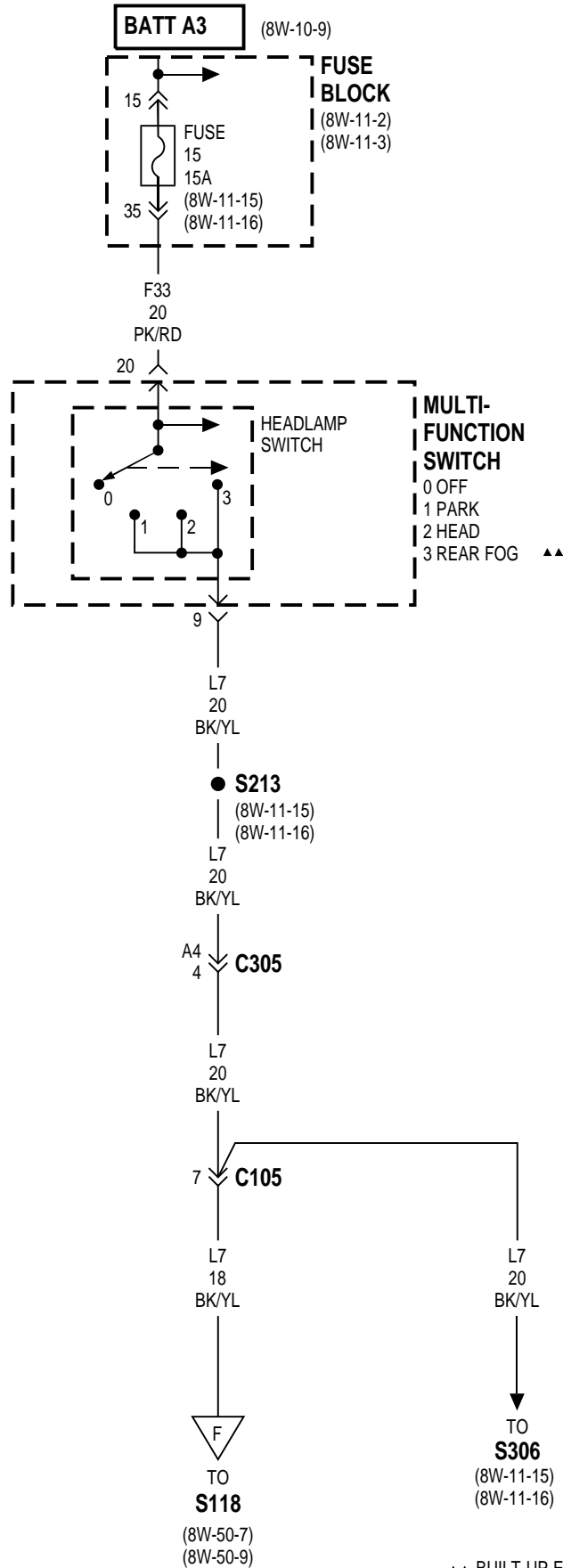
Component	Page	Component	Page
Circuit Breaker No. 2 (FB)	8W-50-2, 4	Headlamp Switch	8W-50-2, 11, 12
Fog Lamp Switch	8W-50-11	Instrument Cluster	8W-50-2, 4, 8, 10, 11, 12
Front Fog Lamp Switch	8W-50-2, 4, 12	Left City Lamp	8W-50-9
Fuse 11 (FB)	8W-50-10	Left Front Fog Lamp	8W-50-11, 13
Fuse 15 (FB)	8W-50-2, 4, 6	Left Front Side Marker Lamp	8W-50-7
Fuse 17 (FB)	8W-50-3, 5, 8	Left Headlamp	8W-50-3, 5
Fuse 18 (FB)	8W-50-3, 5	Left Headlamp Leveling Motor	8W-50-5, 9
Fuse 19 (FB)	8W-50-11	Left Park/Turn Signal Lamp	8W-50-7, 10
Fuse 20 (FB)	8W-50-4, 12	Multi-Function Switch	8W-50-2, 4, 6, 11, 12
Fuse Block	8W-50-2, 3, 4, 5, 6, 8, 10, 11	Power Distribution Center	8W-50-4, 12
G101	8W-50-3, 5, 7, 9, 10	Right City Lamp	8W-50-9
G103	8W-50-3, 5, 7, 9, 10, 11	Right Front Fog Lamp	8W-50-11, 13
G204	8W-50-8	Right Front Side Marker Lamp	8W-50-7
Headlamp Beam Select	8W-50-2, 4	Right Headlamp	8W-50-3, 5
Headlamp Leveling Switch	8W-50-5, 8	Right Headlamp Leveling Motor	8W-50-5, 9
Headlamp Leveling Switch Illumination	8W-50-8	Right Park/Turn Signal Lamp	8W-50-7, 10



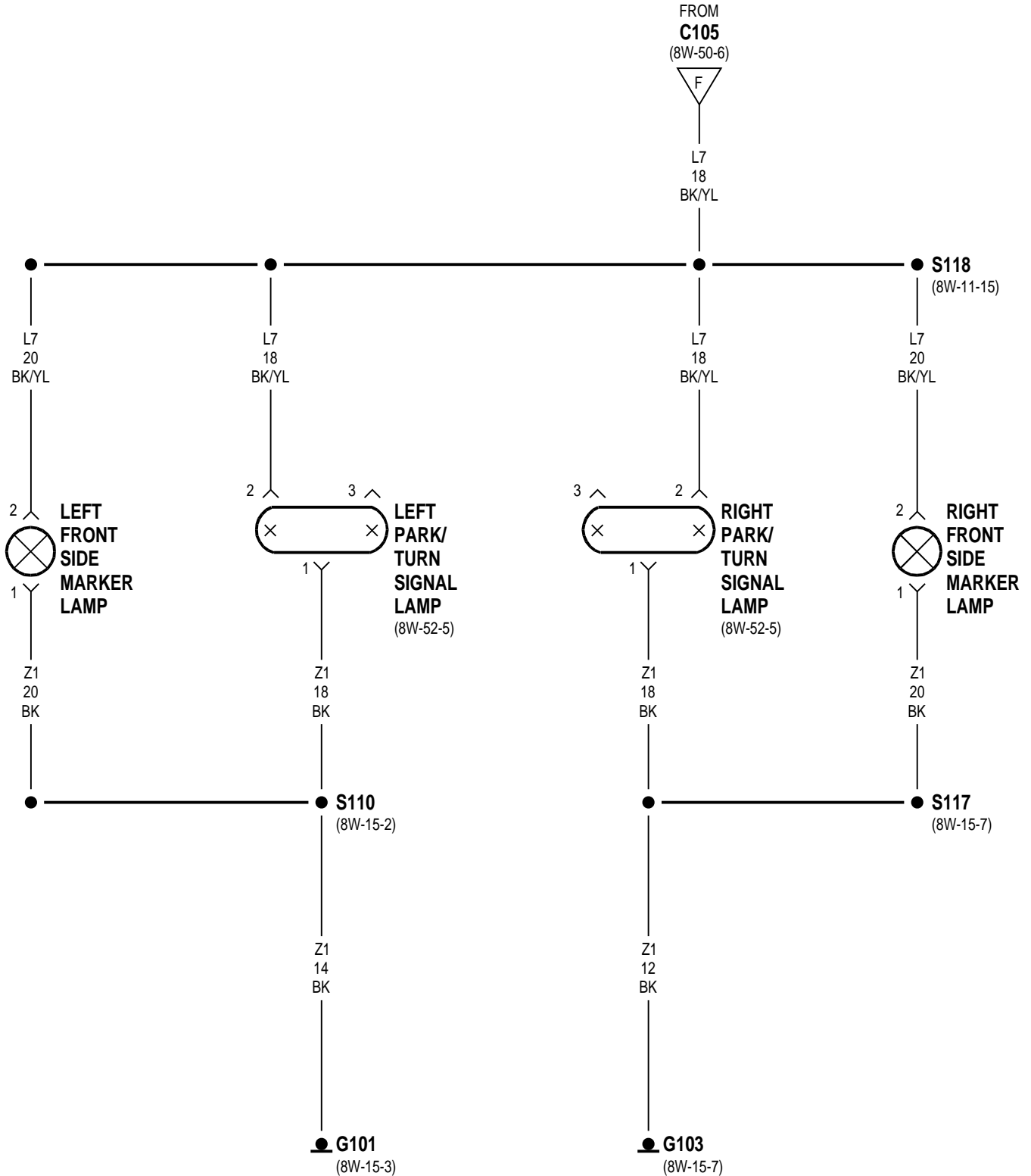


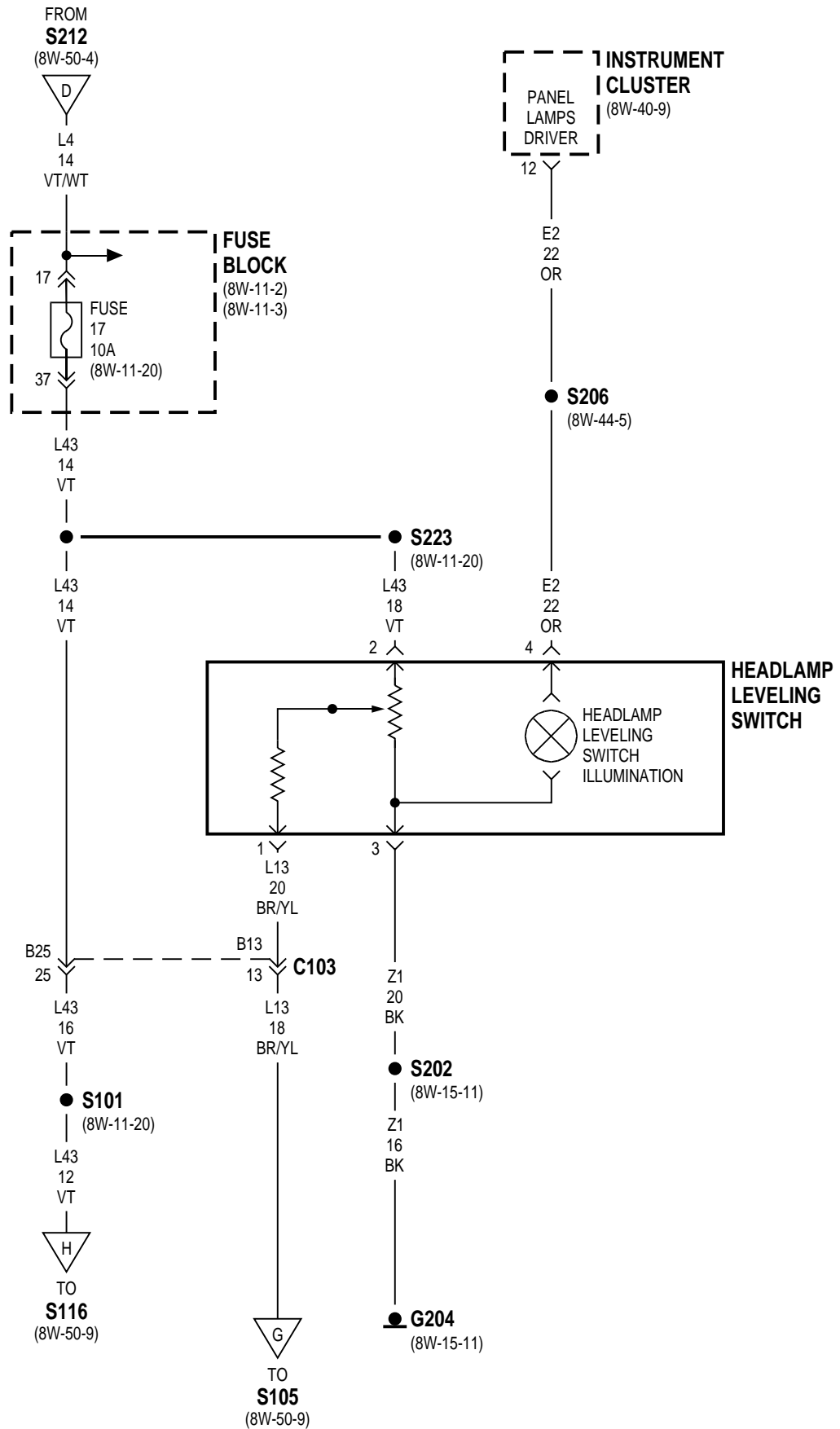


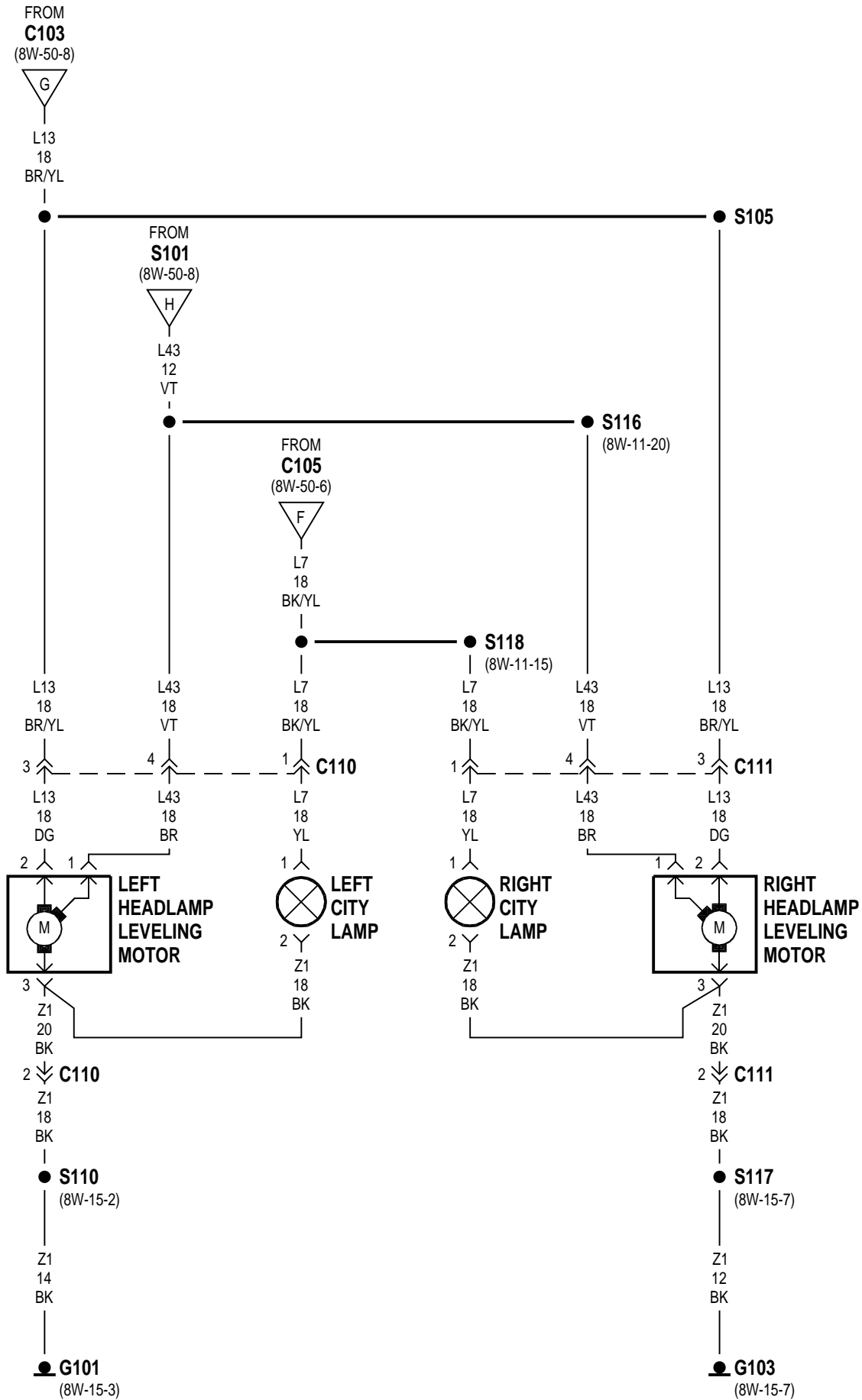




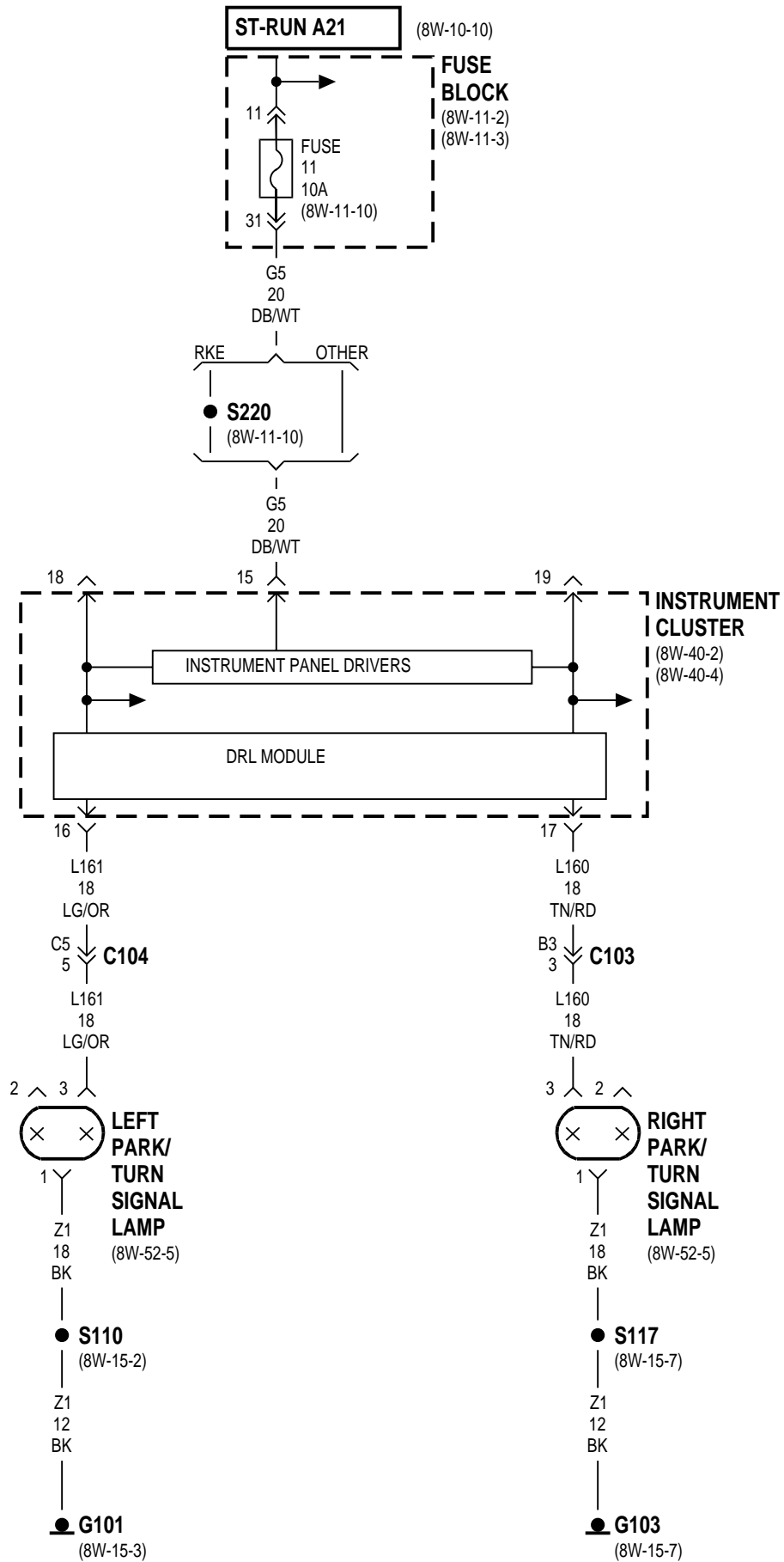
▲▲ BUILT-UP-EXPORT

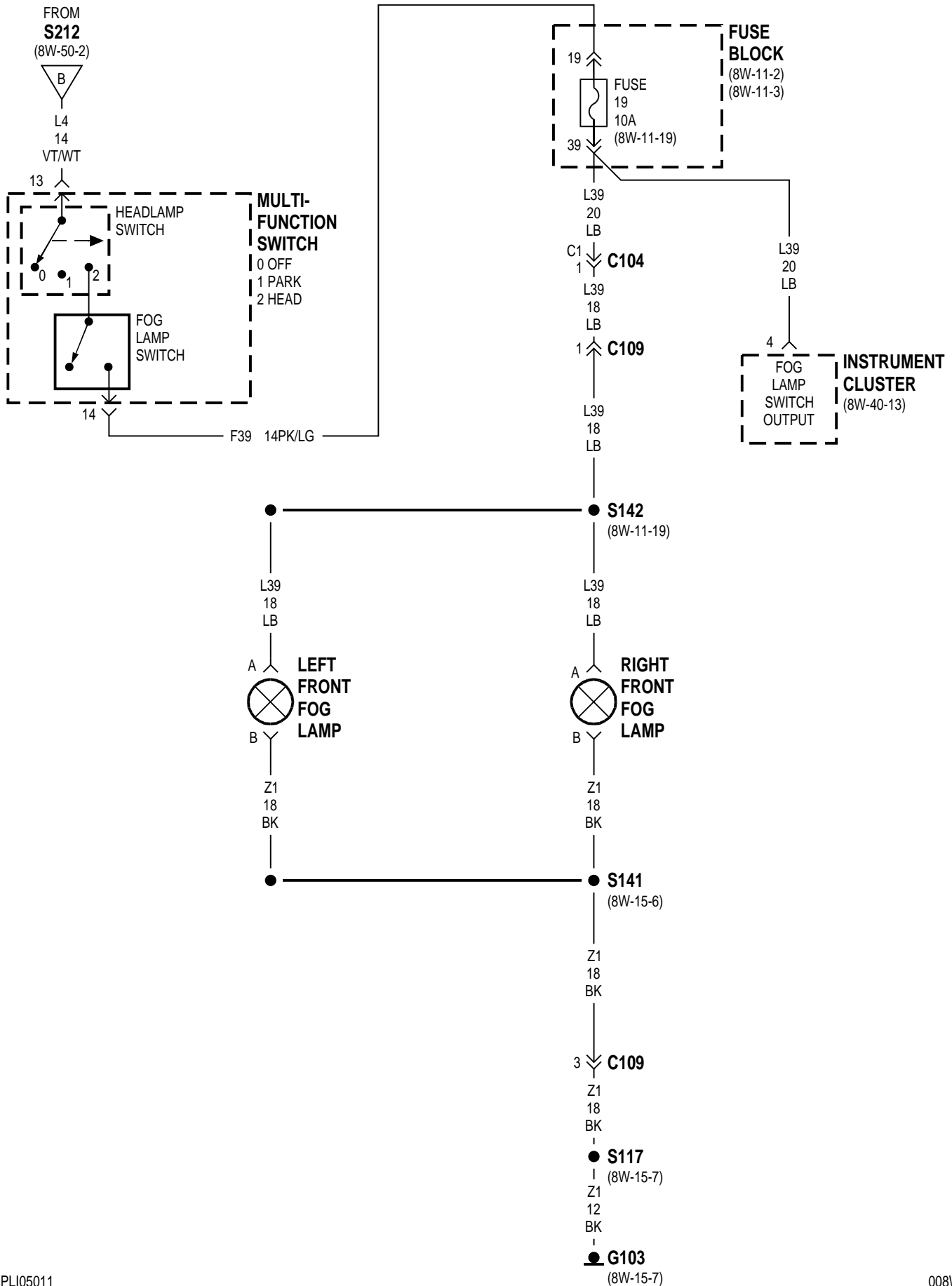


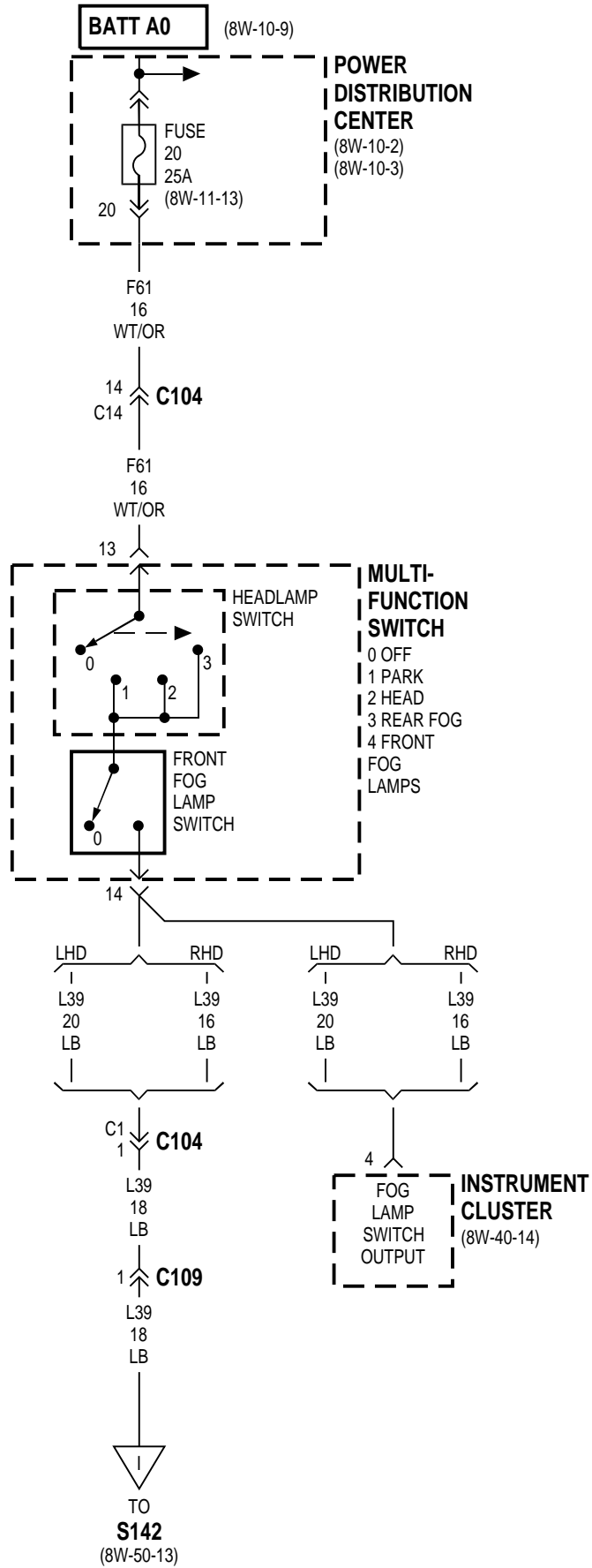


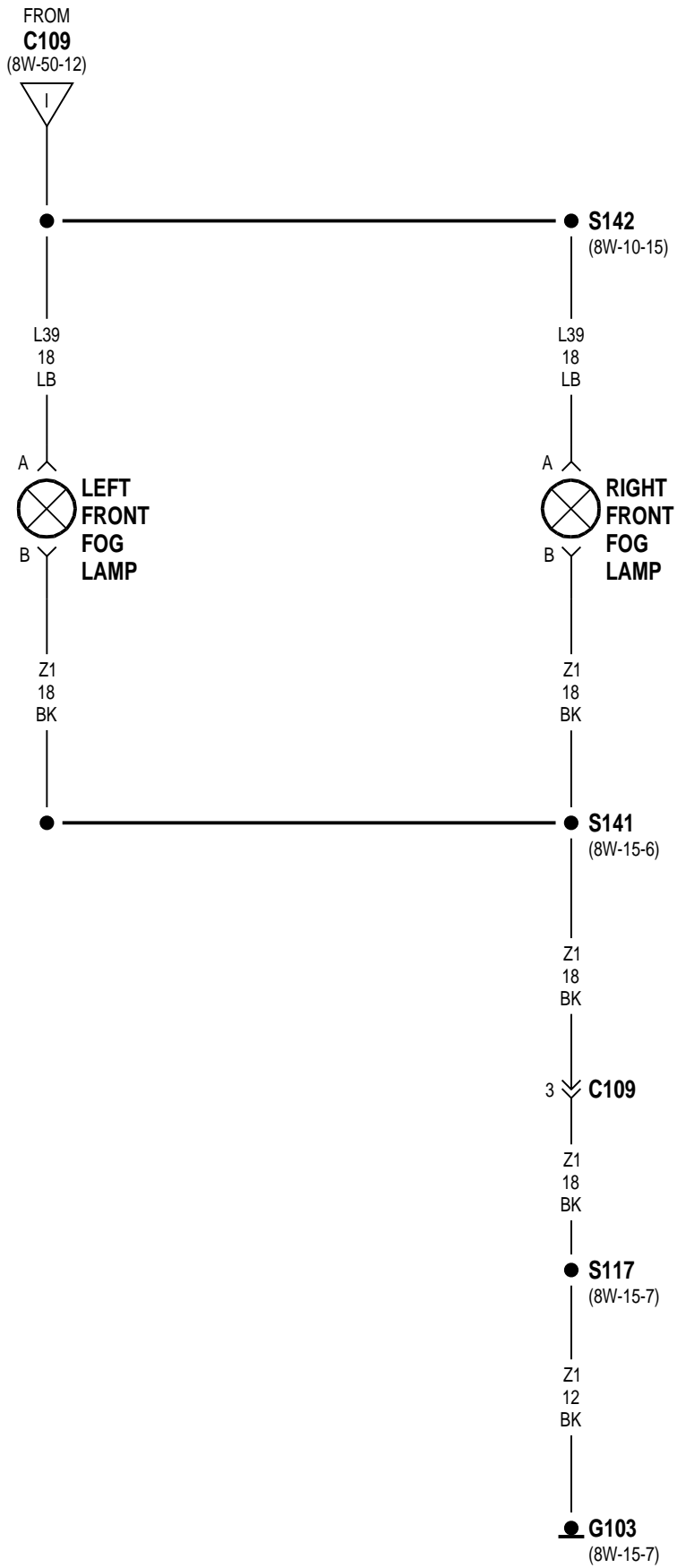


DRL



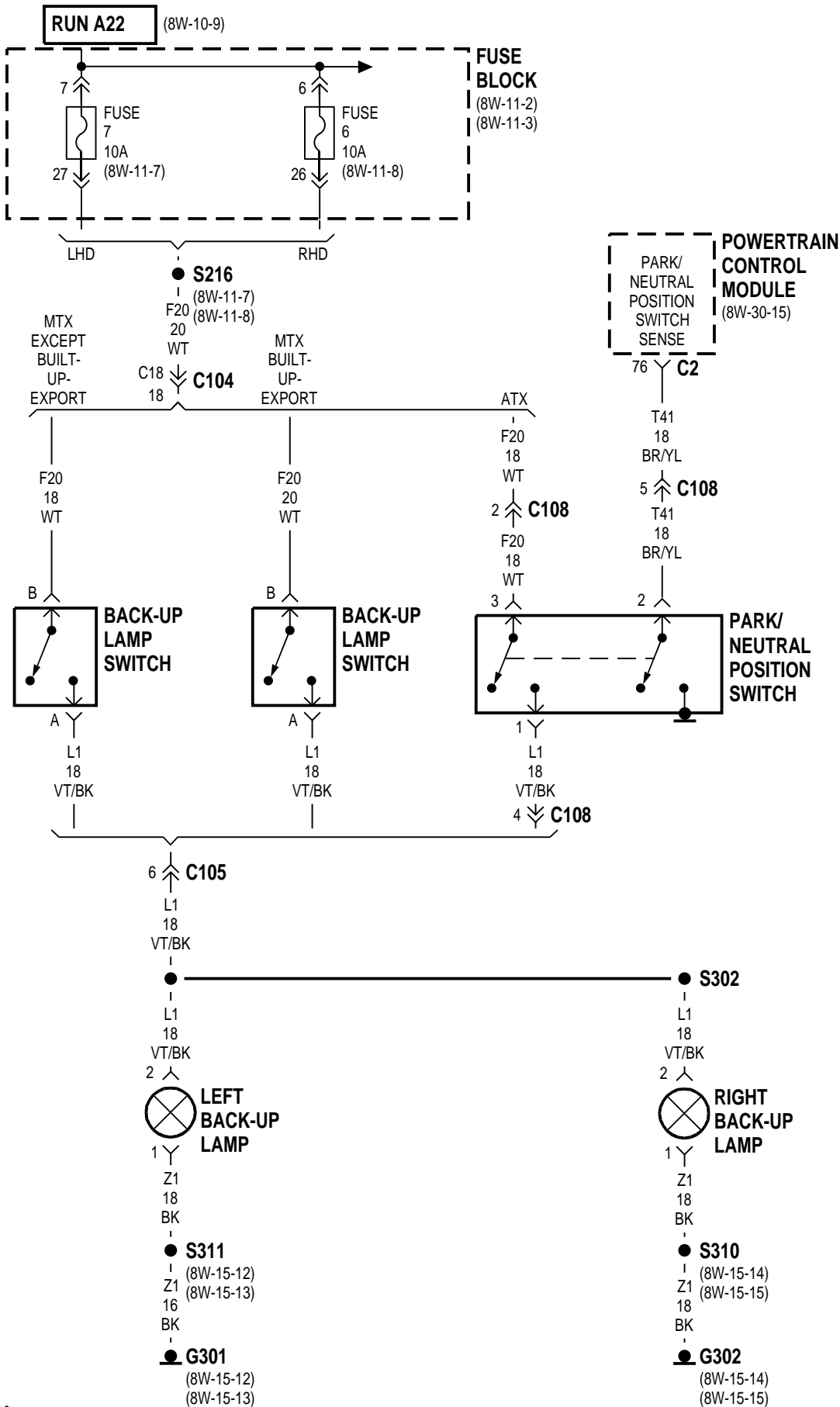


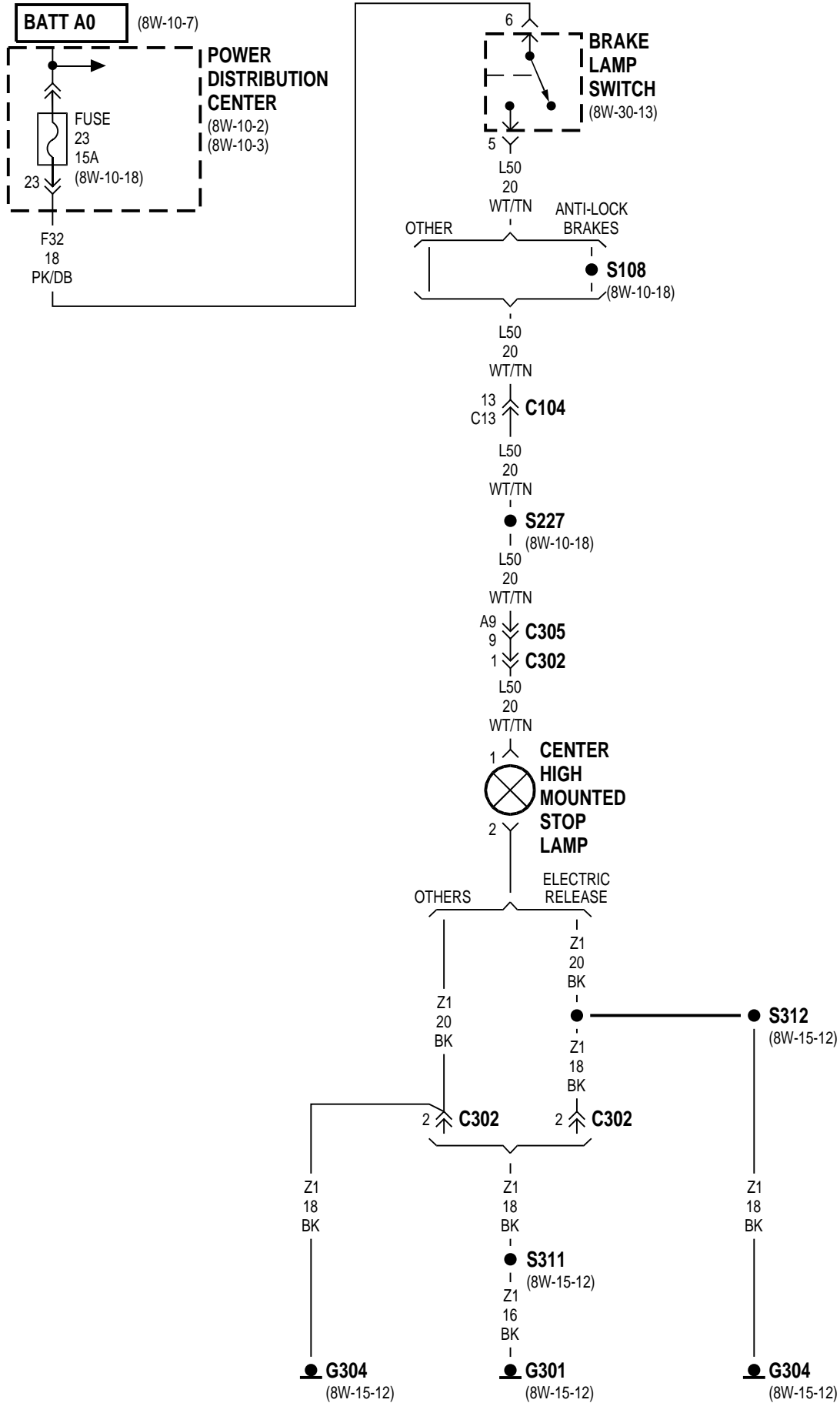


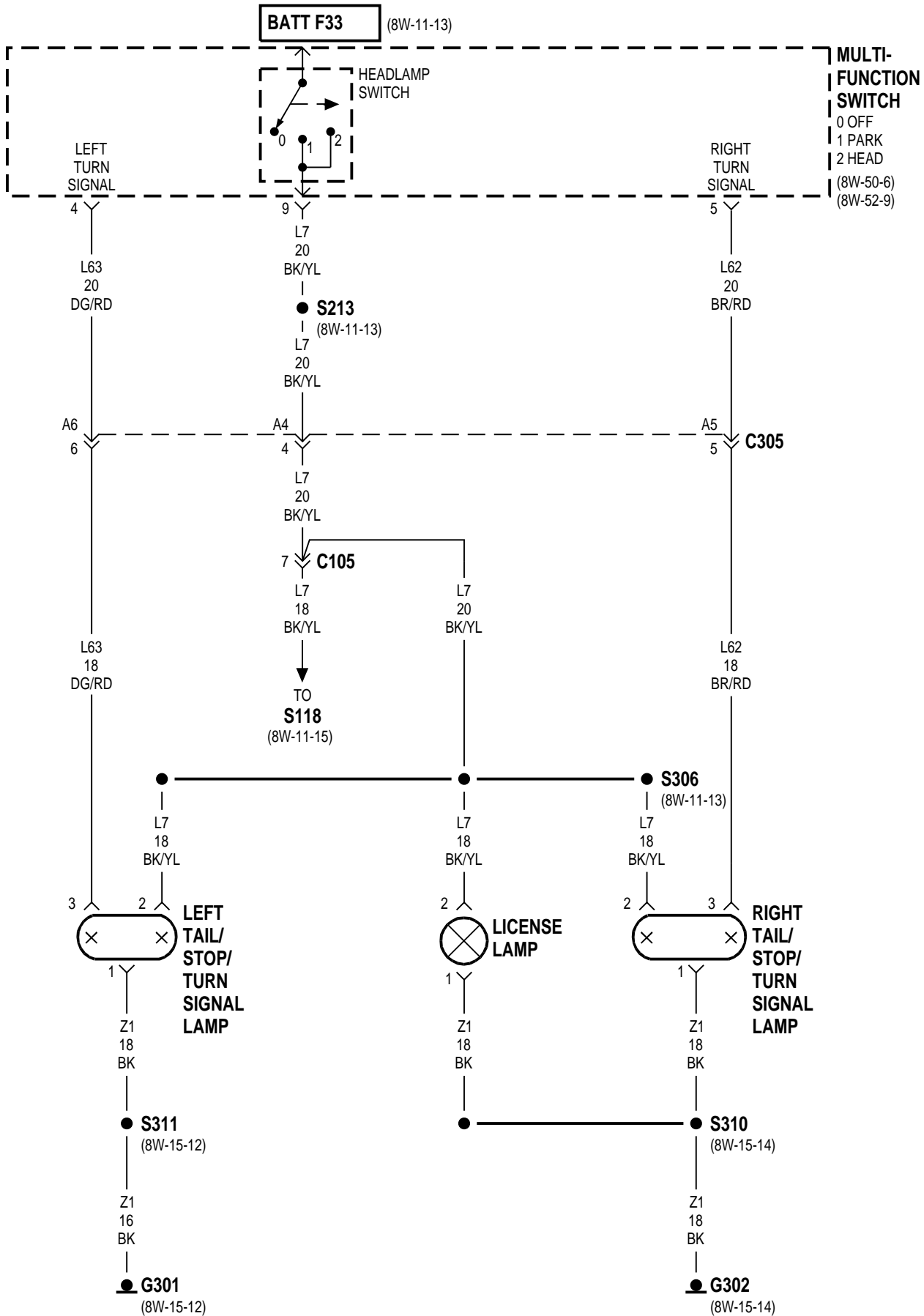


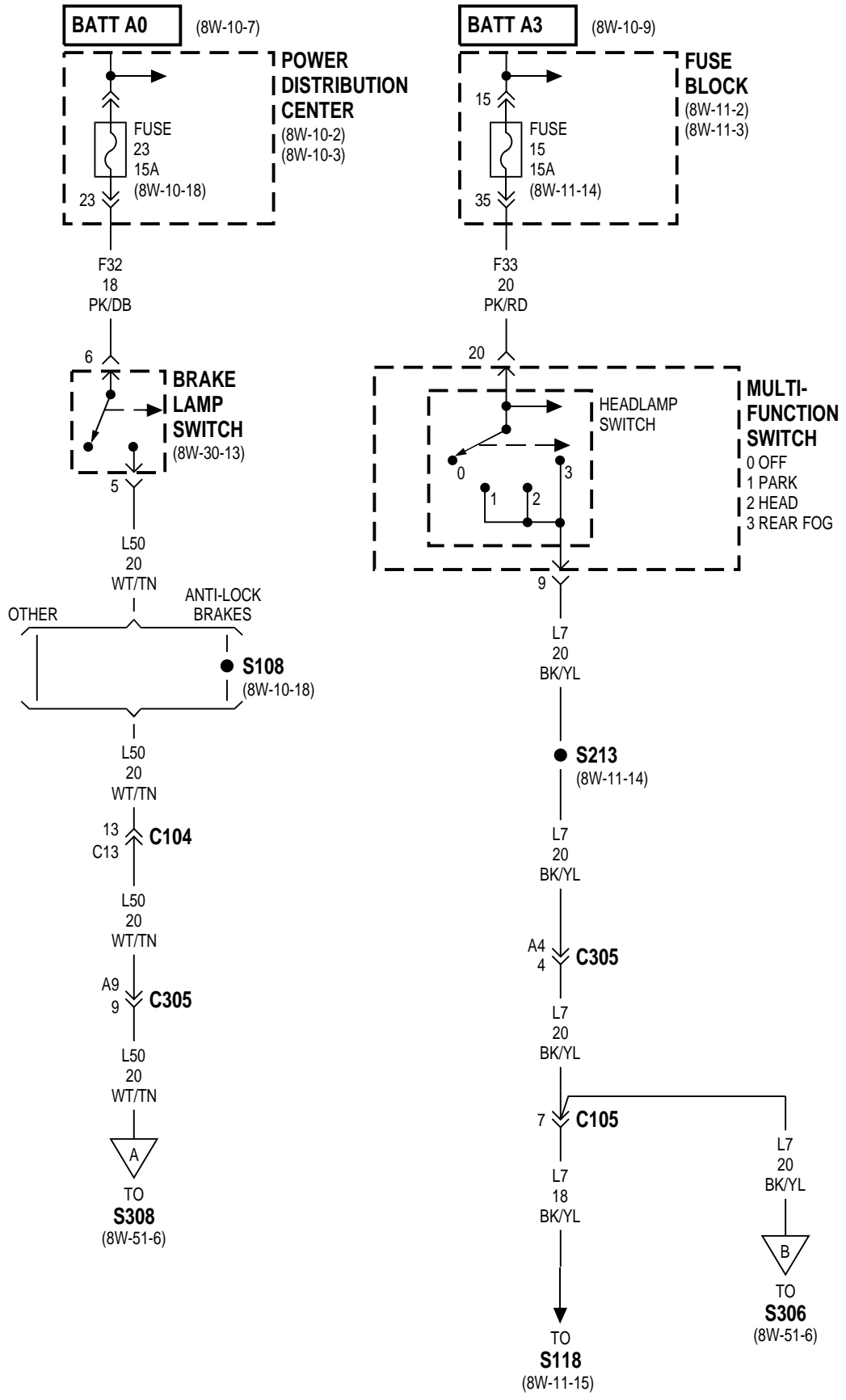
8W-51 REAR LIGHTING

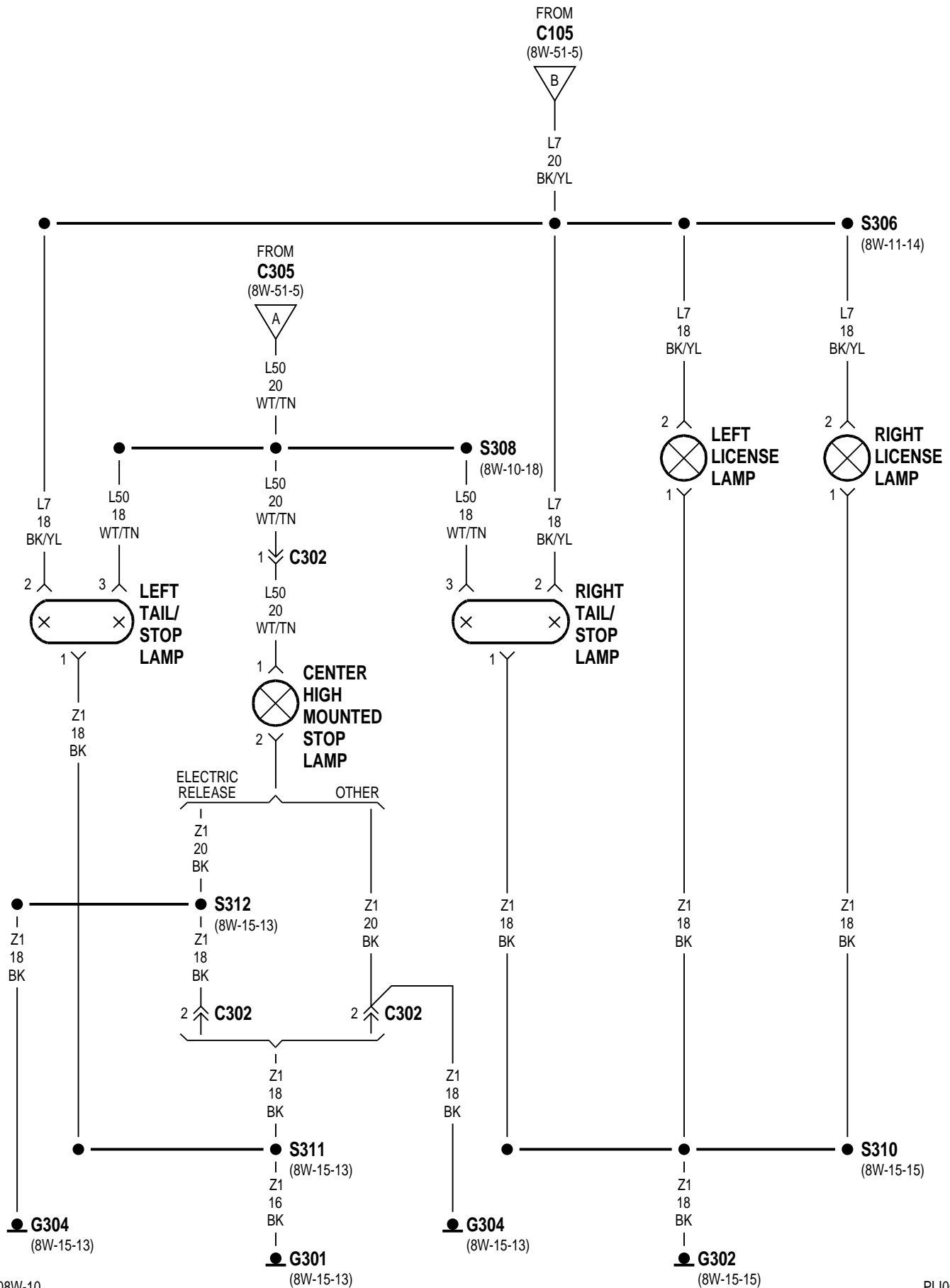
Component	Page	Component	Page
Back-Up Lamp Switch	8W-51-2	Left Back-Up Lamp	8W-51-2
Brake Lamp Switch	8W-51-3, 5	Left License Lamp	8W-51-6
Center High Mounted Stop Lamp	8W-51-3, 6	Left Rear Fog Lamp	8W-51-8
Fuse 6 (FB)	8W-51-2	Left Tail/Stop Lamp	8W-51-6
Fuse 7 (FB)	8W-51-2	Left Tail/Stop/Turn Signal Lamp	8W-51-4
Fuse 15 (FB)	8W-51-5	License Lamp	8W-51-4
Fuse 20 (FB)	8W-51-7	Multi- Function Switch	8W-51-4, 5, 7
Fuse 23 (PDC)	8W-51-3	Park/Neutral Position Switch	8W-51-2
Fuse 23 (PDC)	8W-51-5	Power Distribution Center	8W-51-3, 5, 7
Fuse Block	8W-51-2, 5	Powertrain Control Module	8W-51-2
G301	8W-51-2, 3, 4, 6	Right Back-Up Lamp	8W-51-2
G302	8W-51-2, 4, 6, 8	Right License Lamp	8W-51-6
G304	8W-51-3, 6	Right Rear Fog Lamp	8W-51-8
Headlamp Switch	8W-51-4	Right Tail/Stop Lamp	8W-51-6
Instrument Cluster	8W-51-7	Right Tail/Stop/Turn Signal Lamp	8W-51-4
Instrument Panel Drivers	8W-51-7		

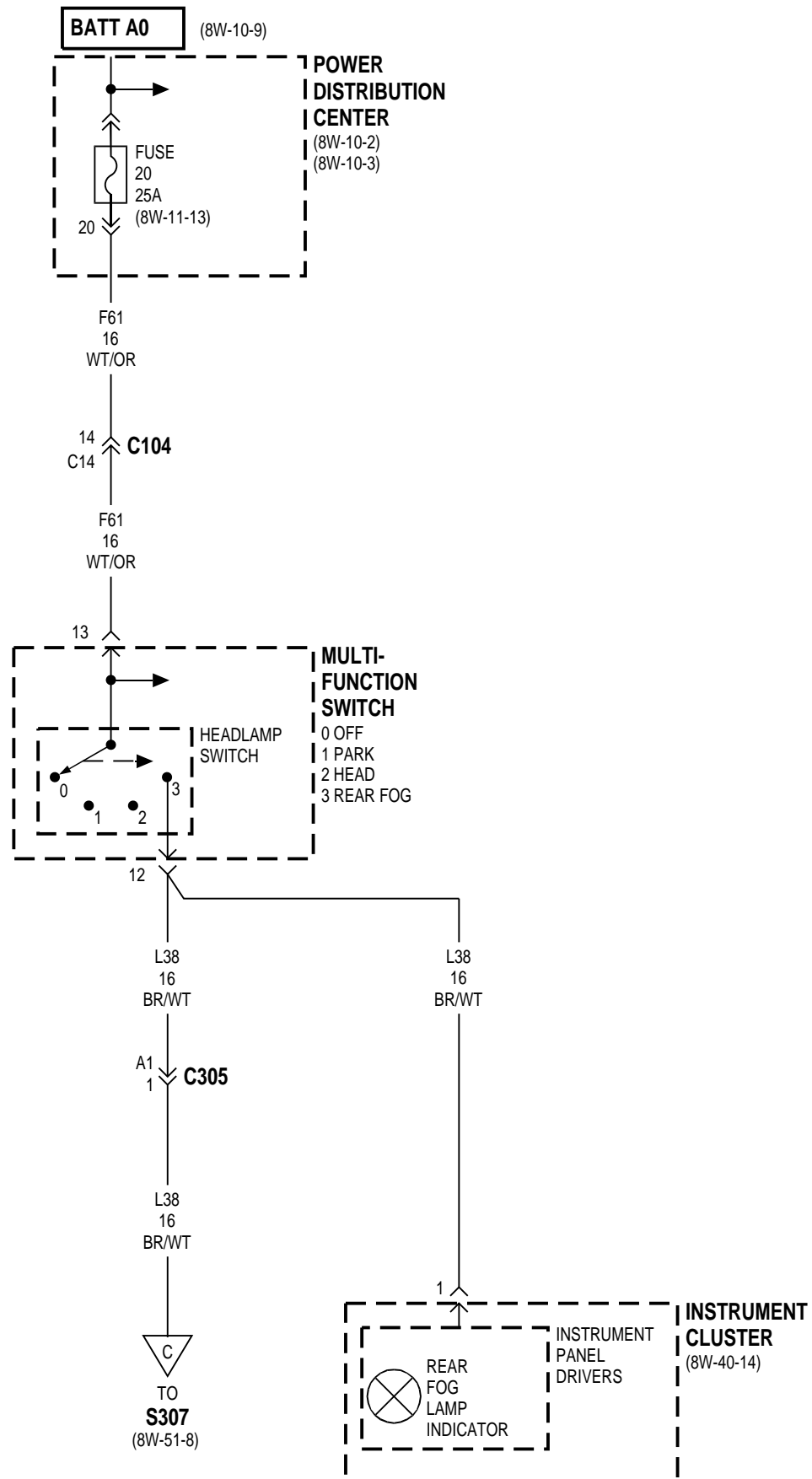


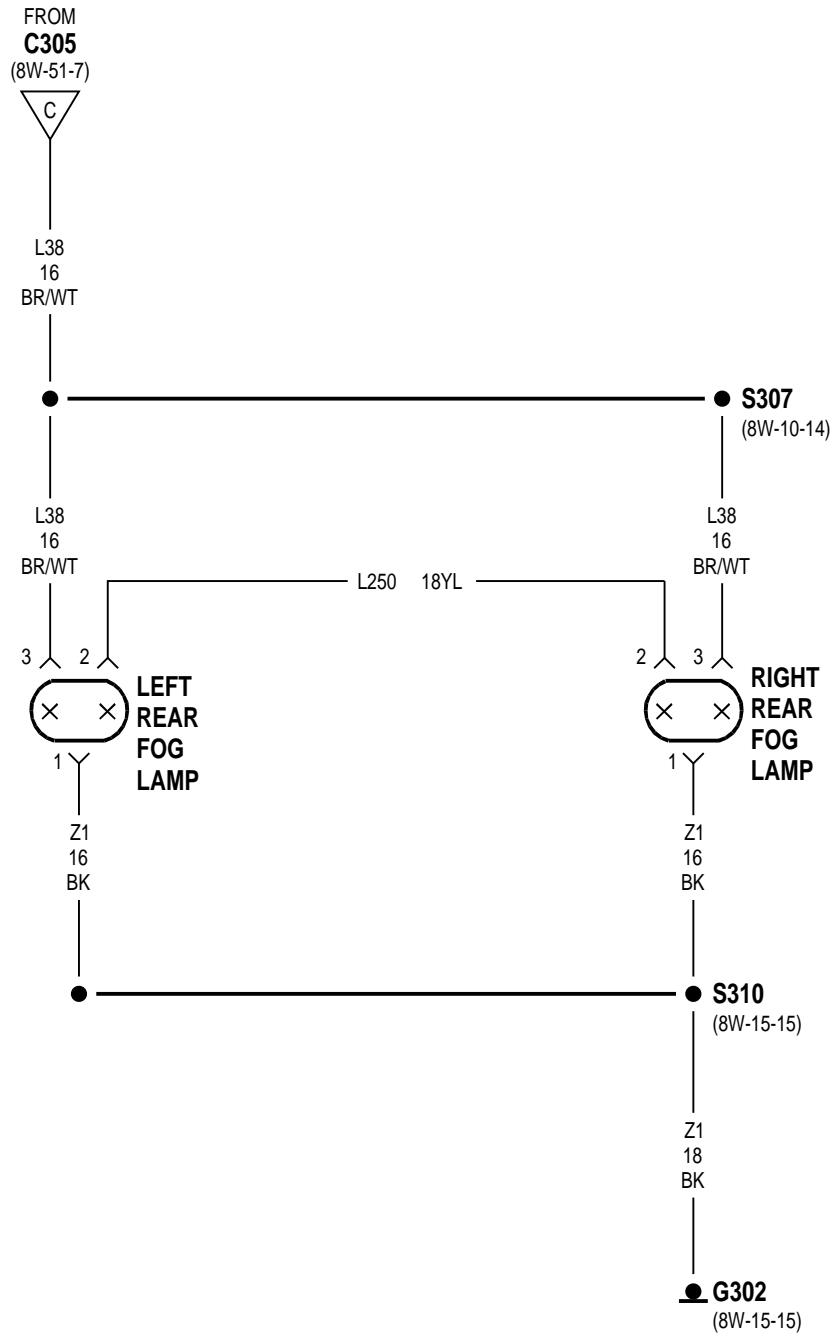








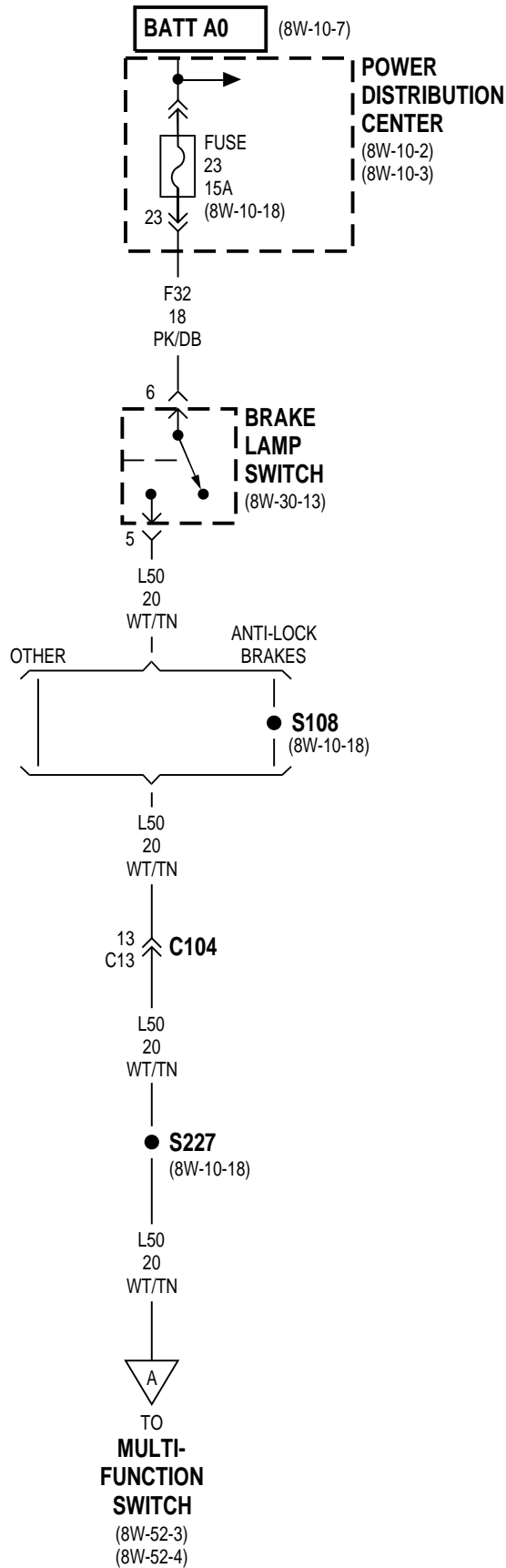


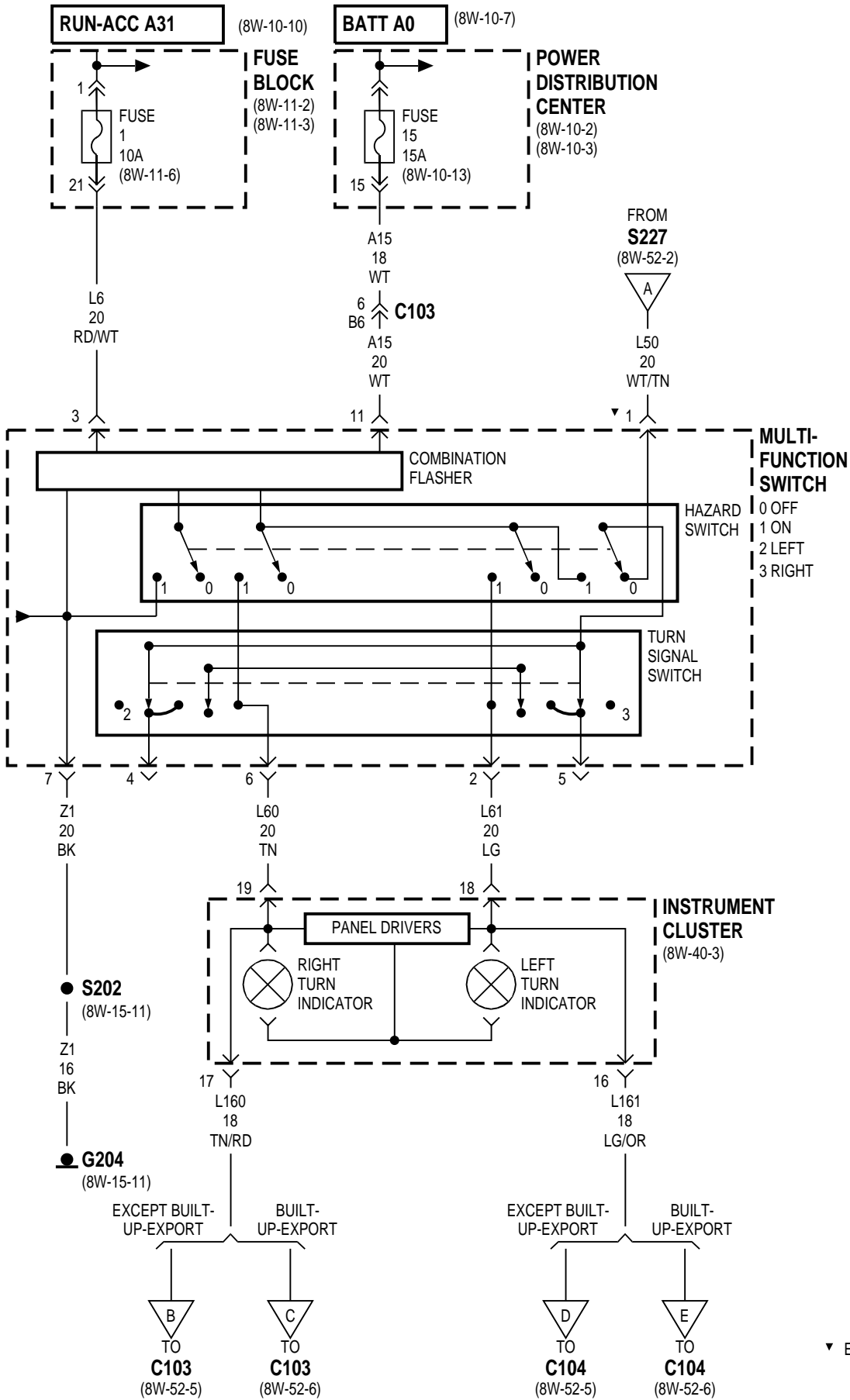


8W-52 TURN SIGNALS

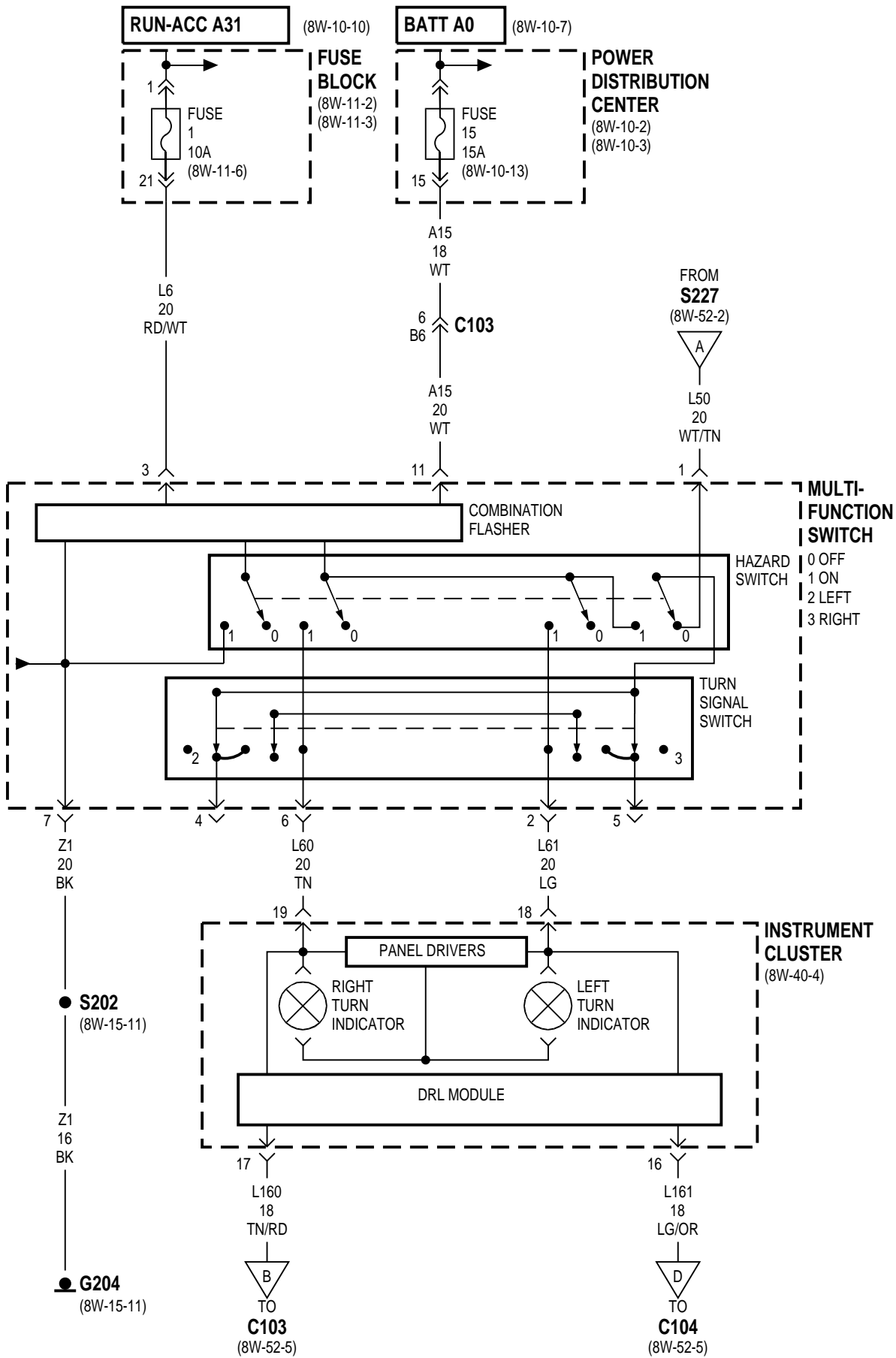
Component	Page	Component	Page
Brake Lamp Switch	8W-52-2	Left Front Turn Signal Lamp	8W-52-6
Combination Flasher	8W-52-3, 4, 7, 9, 10	Left Rear Turn Signal Lamp	8W-52-10
Fuse 1 (FB)	8W-52-3, 4, 7, 10	Left Park/Turn Signal Lamp	8W-52-5
Fuse 15 (FB)	8W-52-5	Left Repeater Lamp	8W-52-7
Fuse 15 (PDC)	8W-52-3, 4, 7, 10	Left Tail/Stop/Turn Signal Lamp	8W-52-9
Fuse 23 (PDC)	8W-52-2	Multi-Function Switch . . .	8W-52-2, 3, 4, 5, 7, 8, 9, 10
Fuse Block	8W-52-3, 4, 5, 7, 10	Power Distribution Center	8W-52-2, 3, 4, 7, 10
G101	8W-52-5, 6, 7	Right Front Turn Signal Lamp	8W-52-6
G103	8W-52-5, 6, 7	Right Park/Turn Signal Lamp	8W-52-5
G204	8W-52-3, 4	Right Rear Turn Signal Lamp	8W-52-10
G301	8W-52-9, 10	Right Repeater Lamp	8W-52-7
G302	8W-52-9, 10	Right Tail/Stop/Turn Signal Lamp	8W-52-9
Instrument Cluster	8W-52-3, 4		

**8W-52 TURN SIGNALS
EXCEPT BUILT-UP-EXPORT**

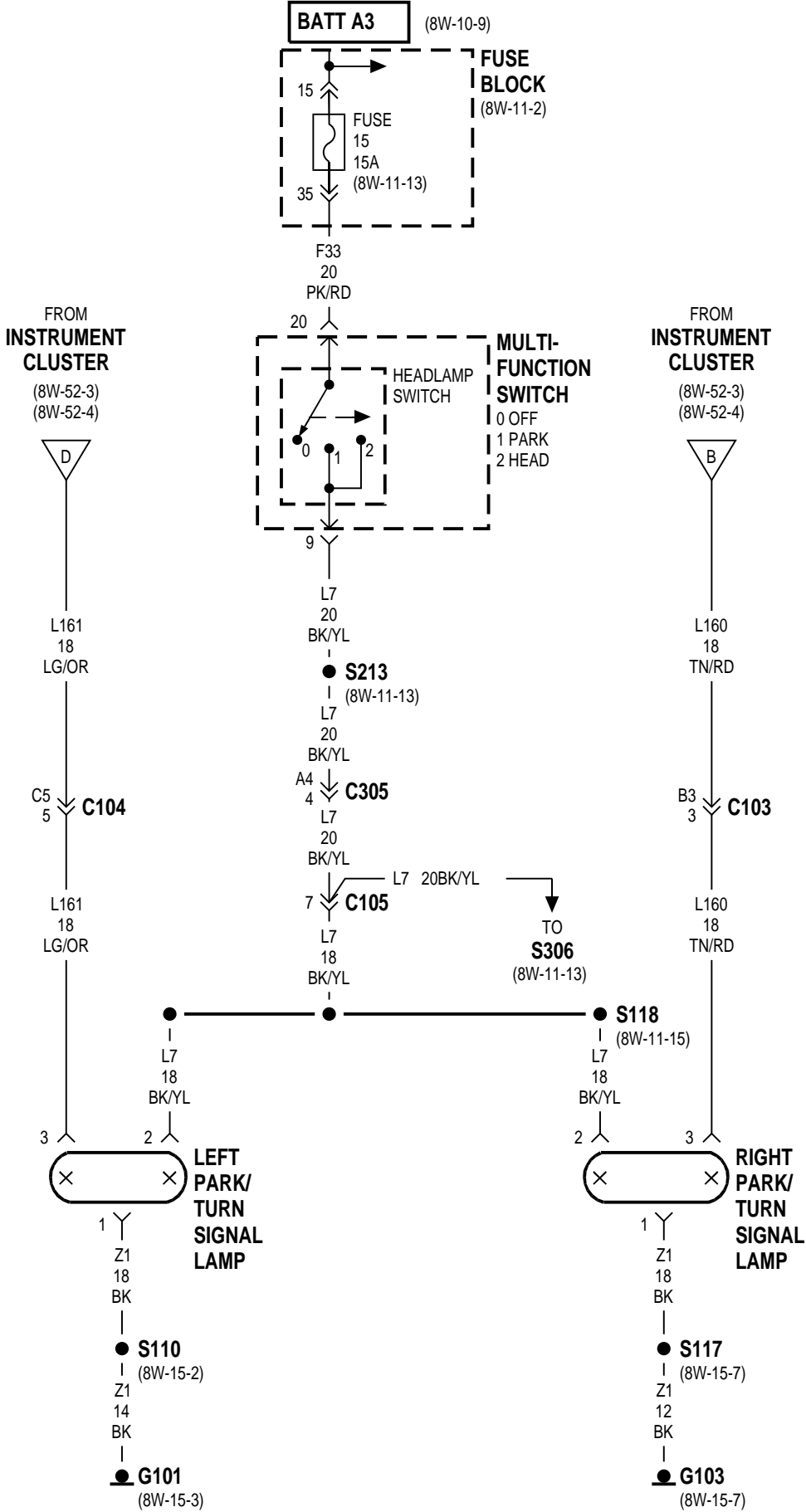


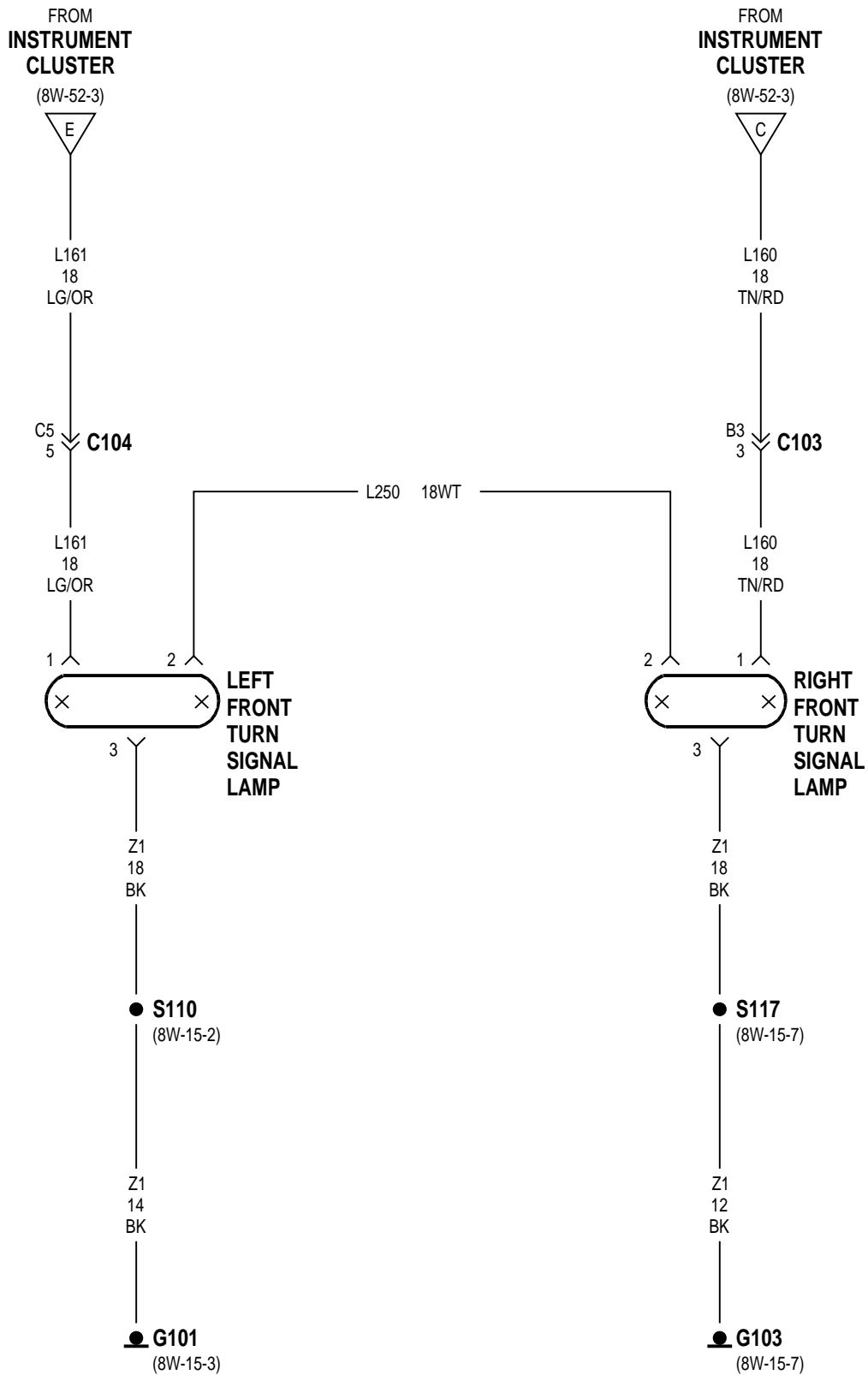


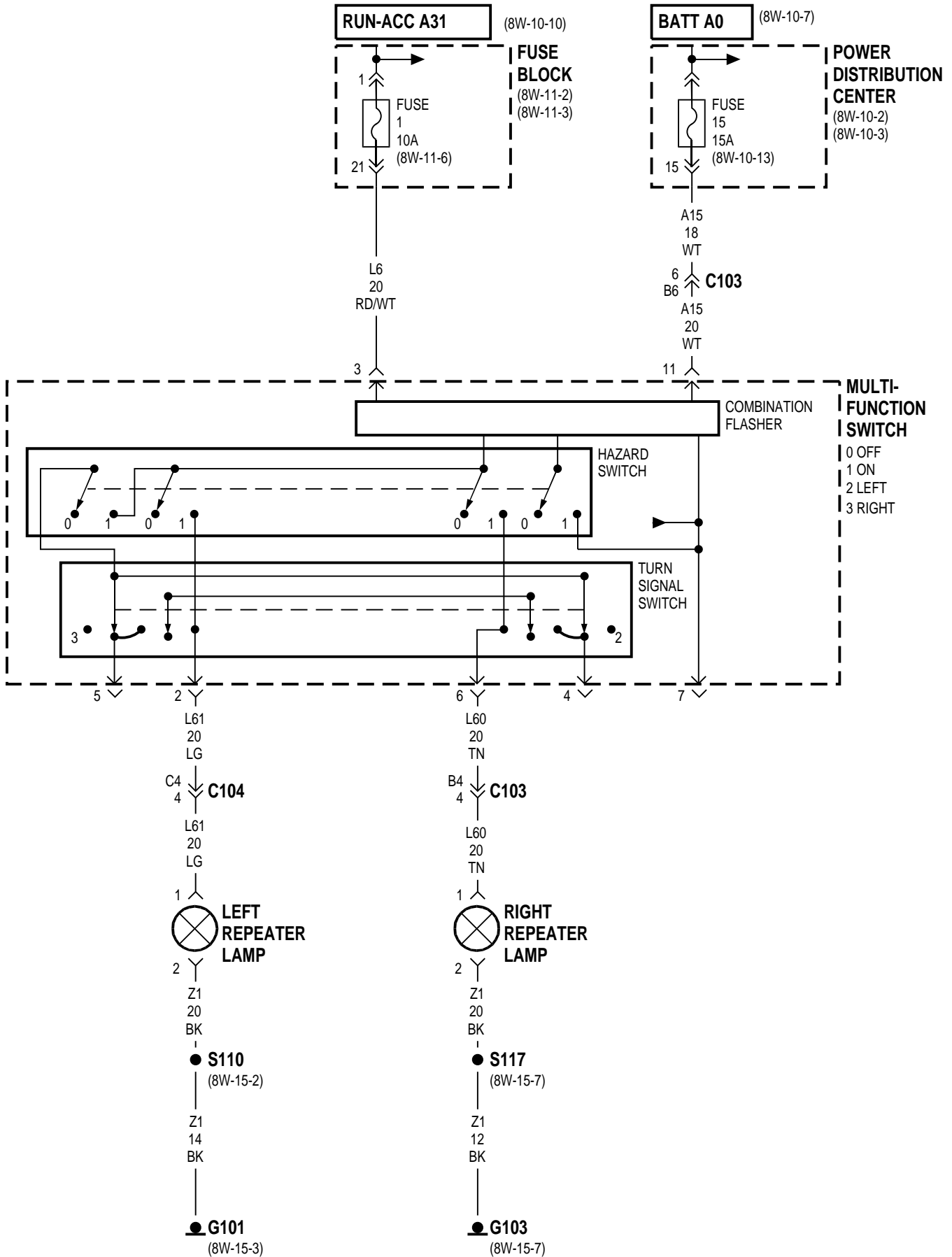
DRL

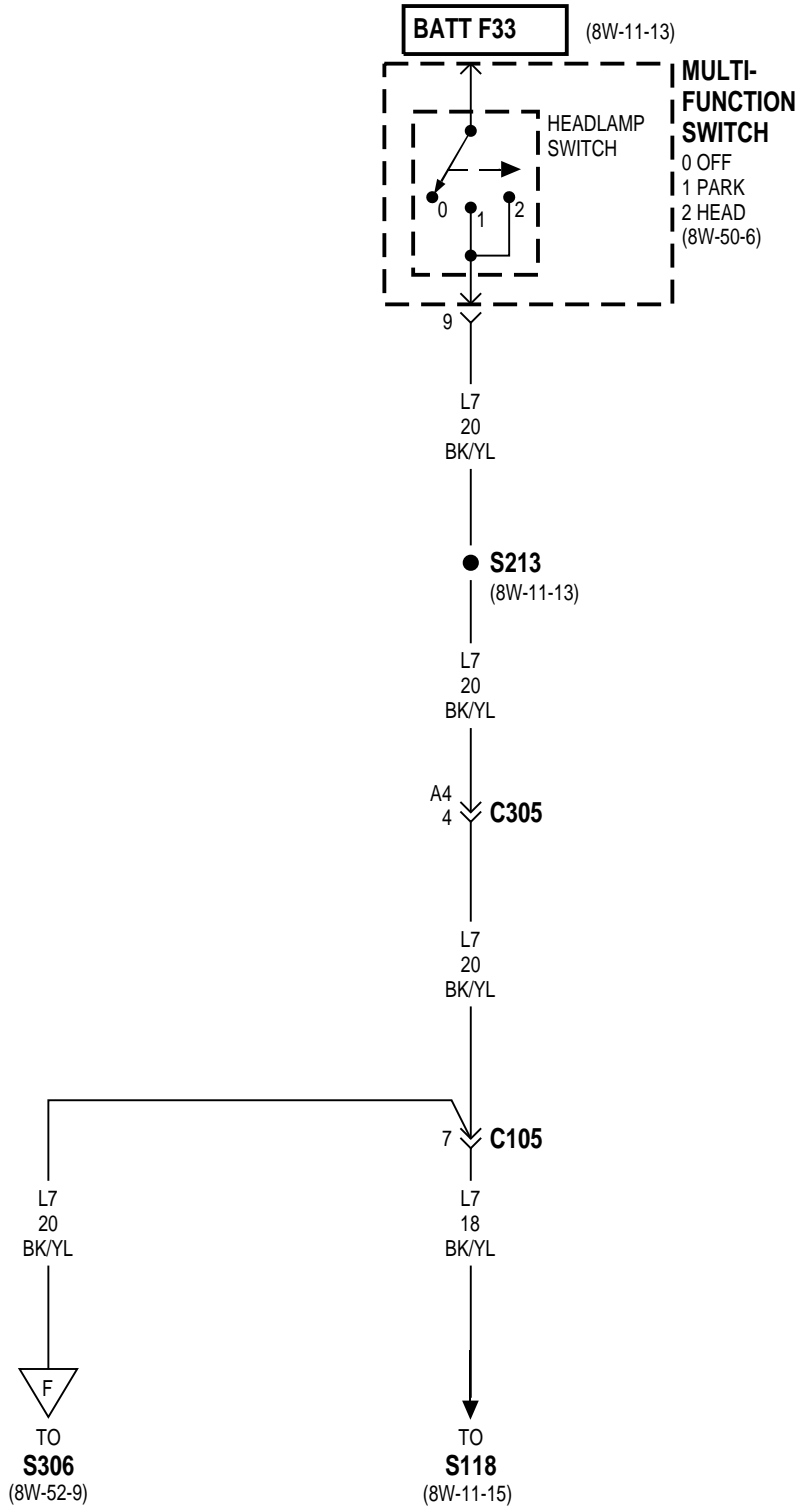


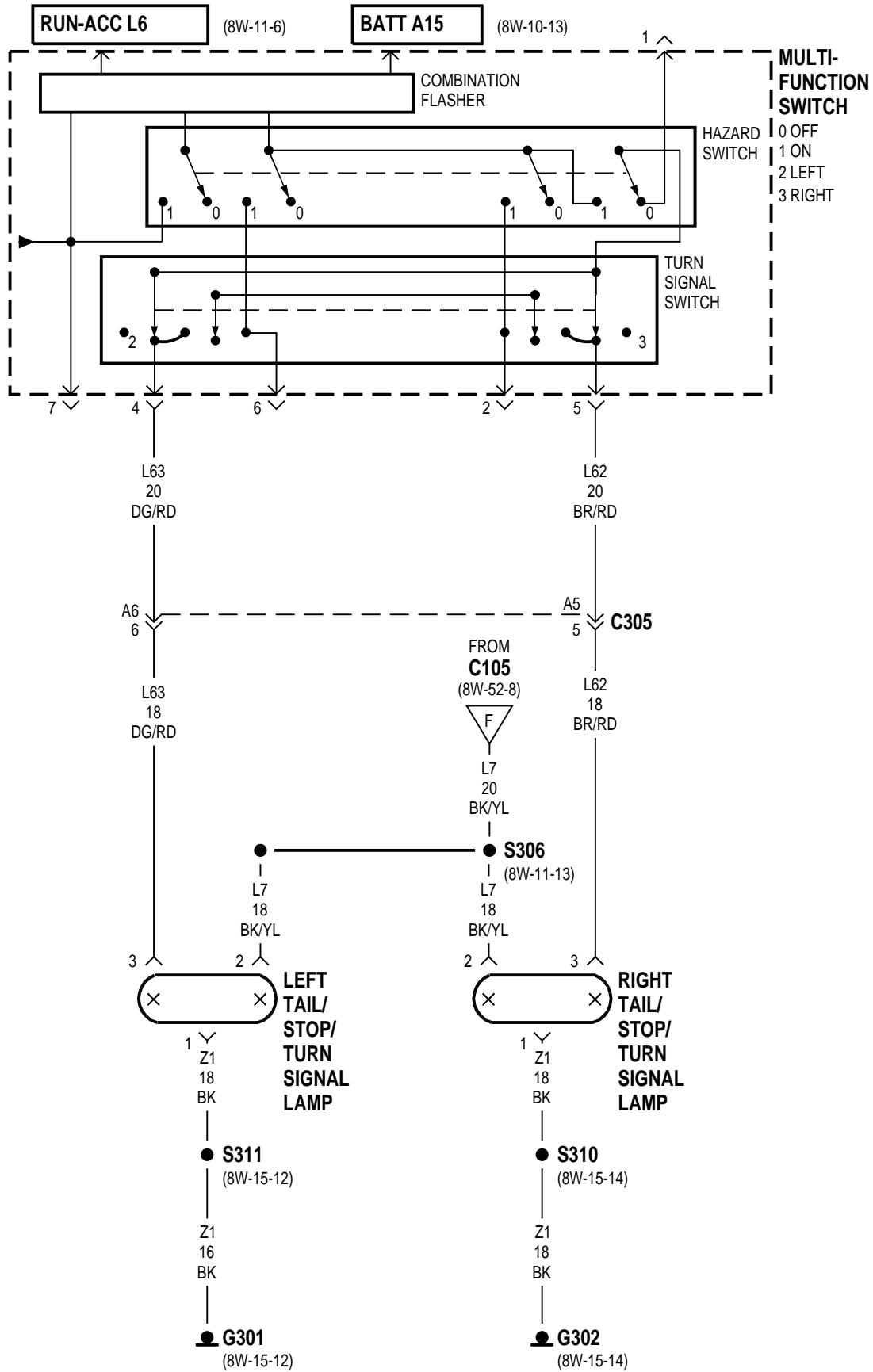
8W-52 TURN SIGNALS EXCEPT BUILT-UP-EXPORT

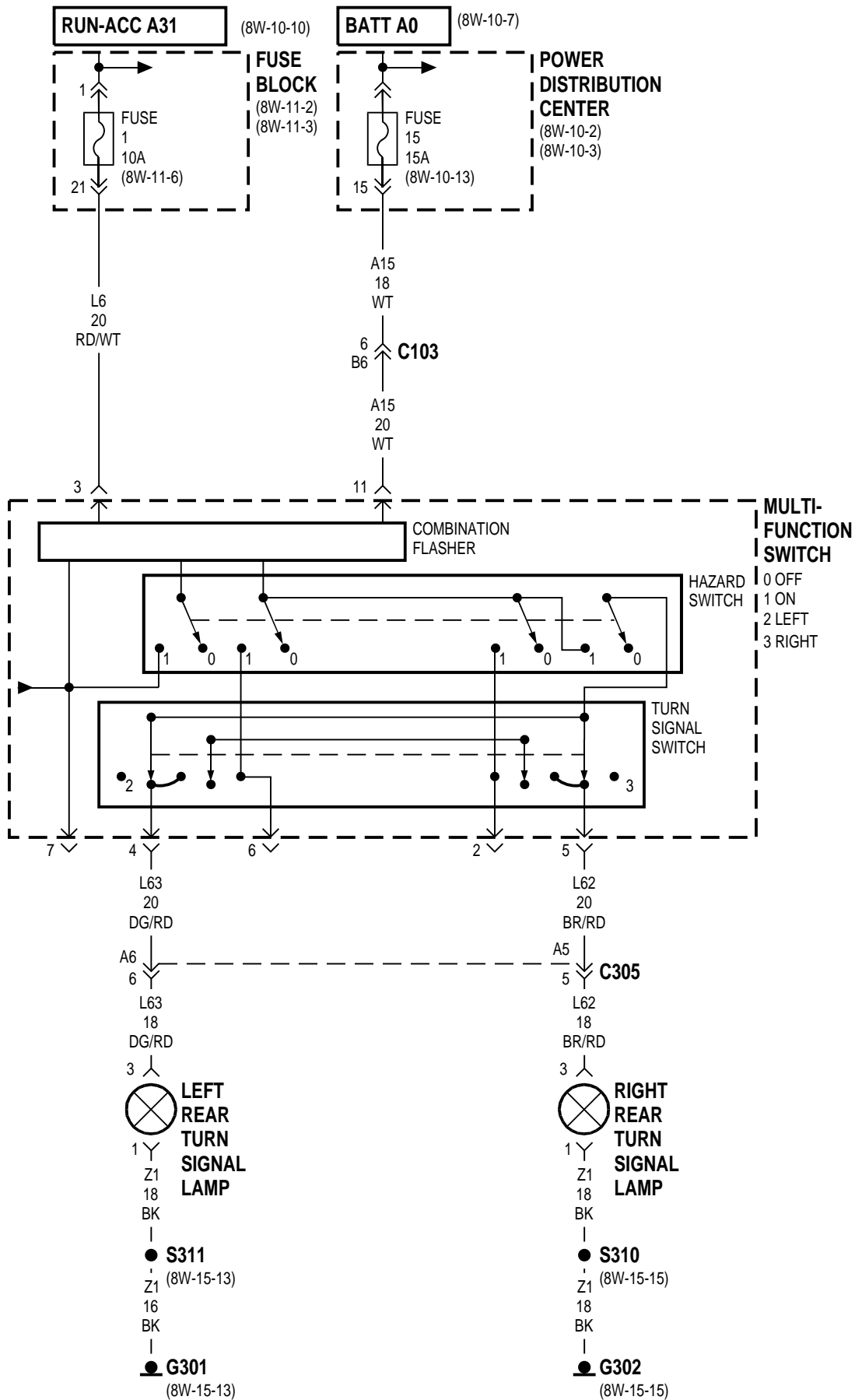






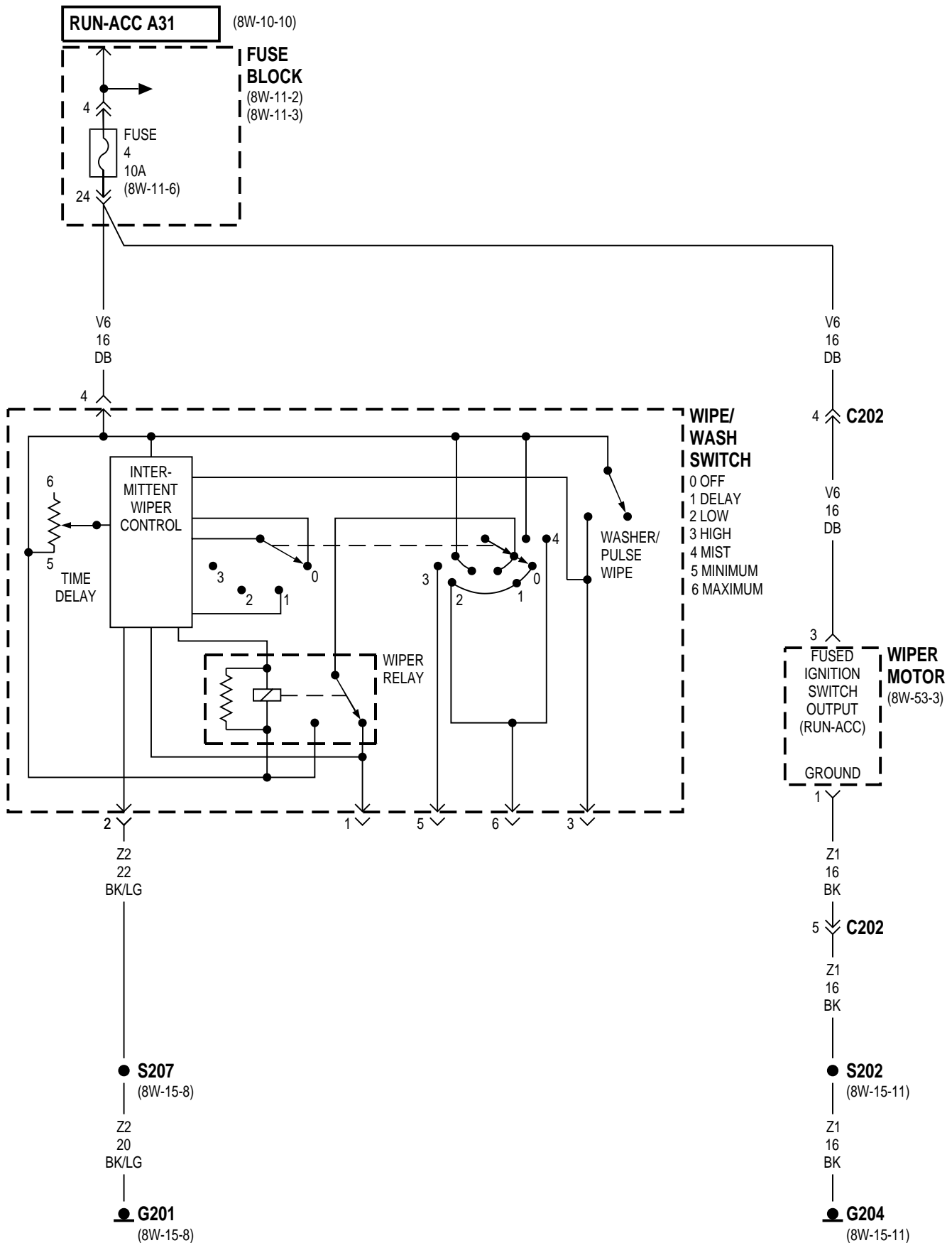


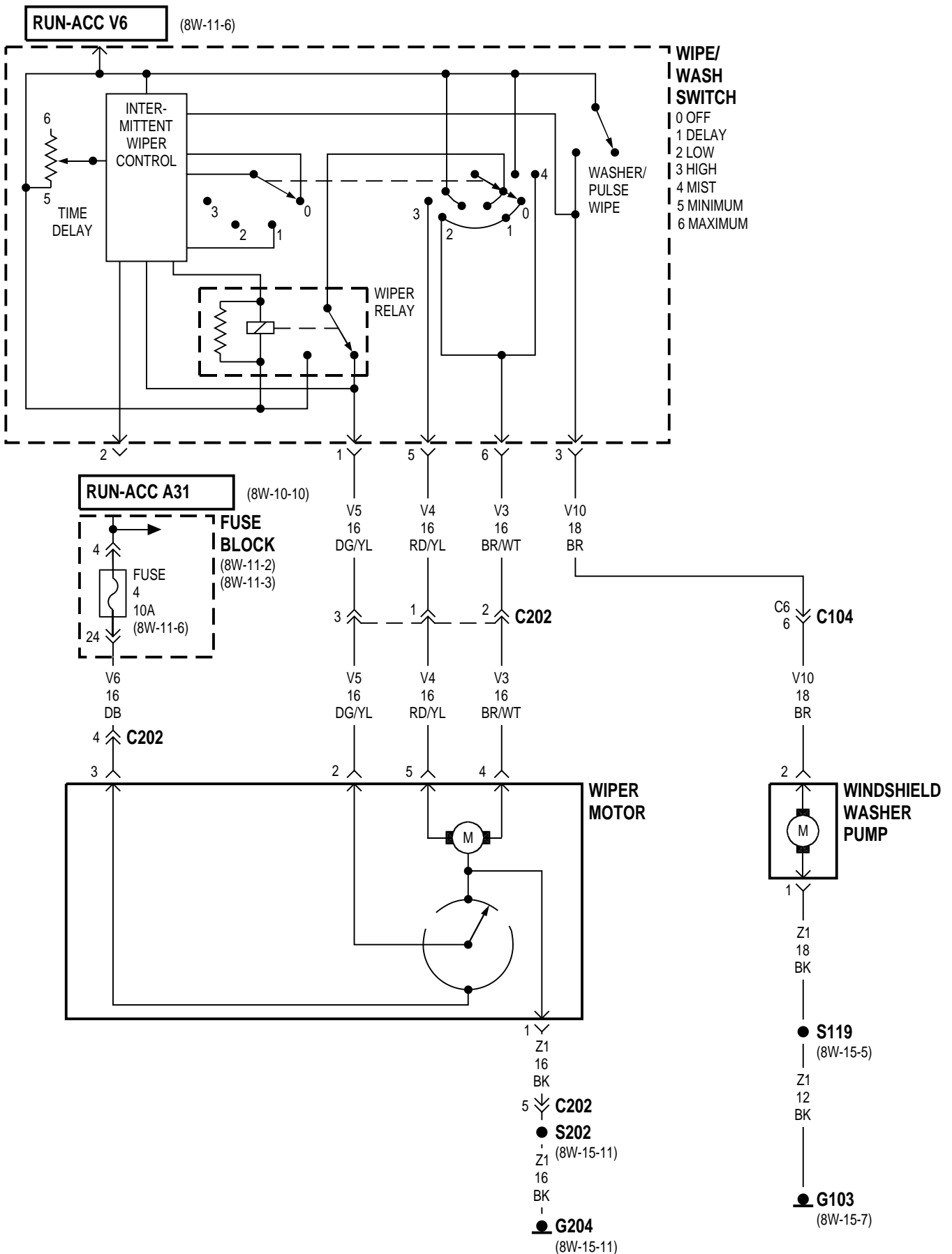




8W-53 WIPERS

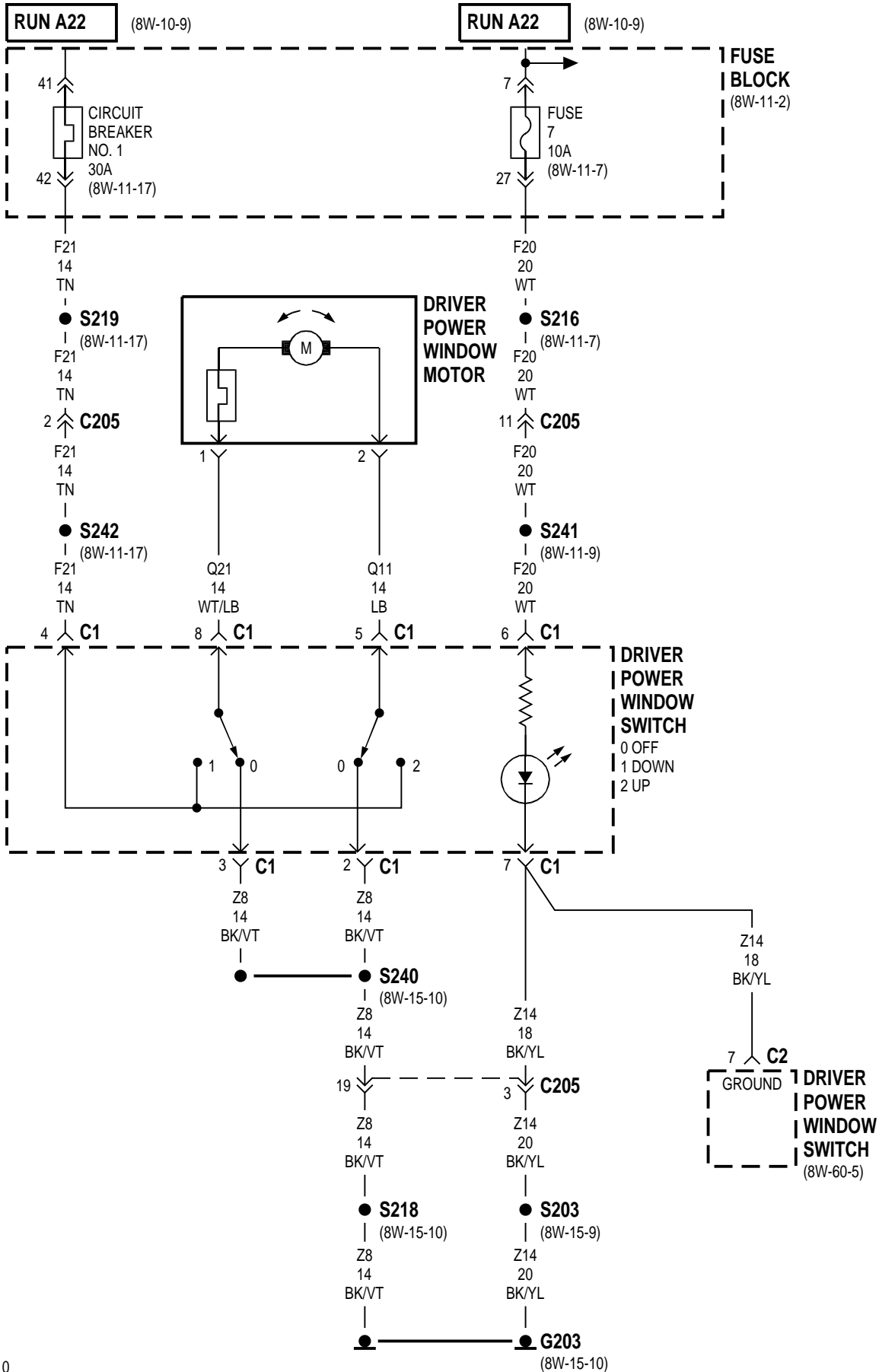
Component	Page	Component	Page
Fuse 4 (FB)	8W-53-2, 3	G204	8W-53-2, 3
Fuse Block	8W-53-2, 3	Windshield Washer Pump	8W-53-3
G103	8W-53-3	Wipe/Wash Switch	8W-53-2, 3
G201	8W-53-2	Wiper Motor	8W-53-2, 3

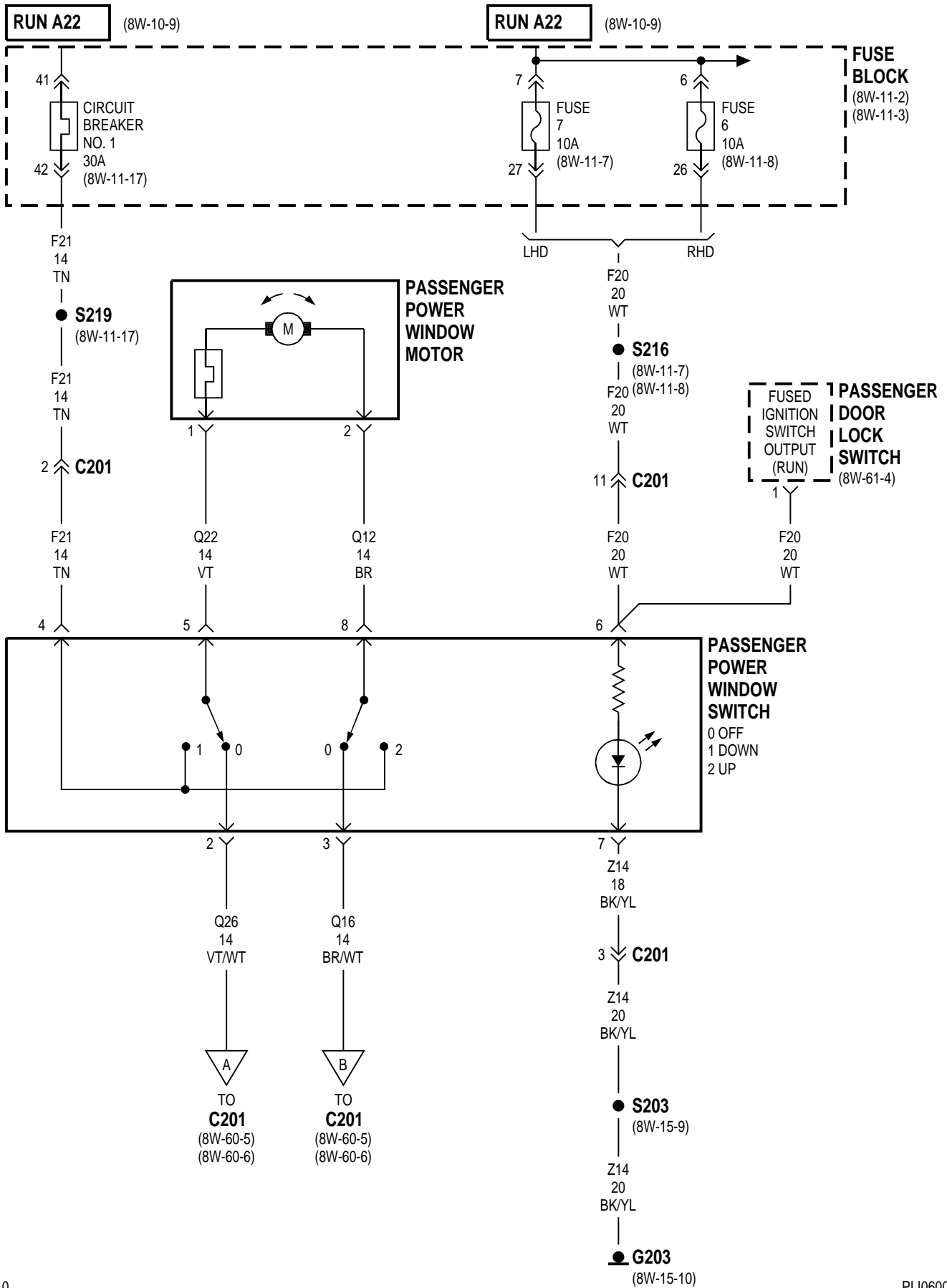


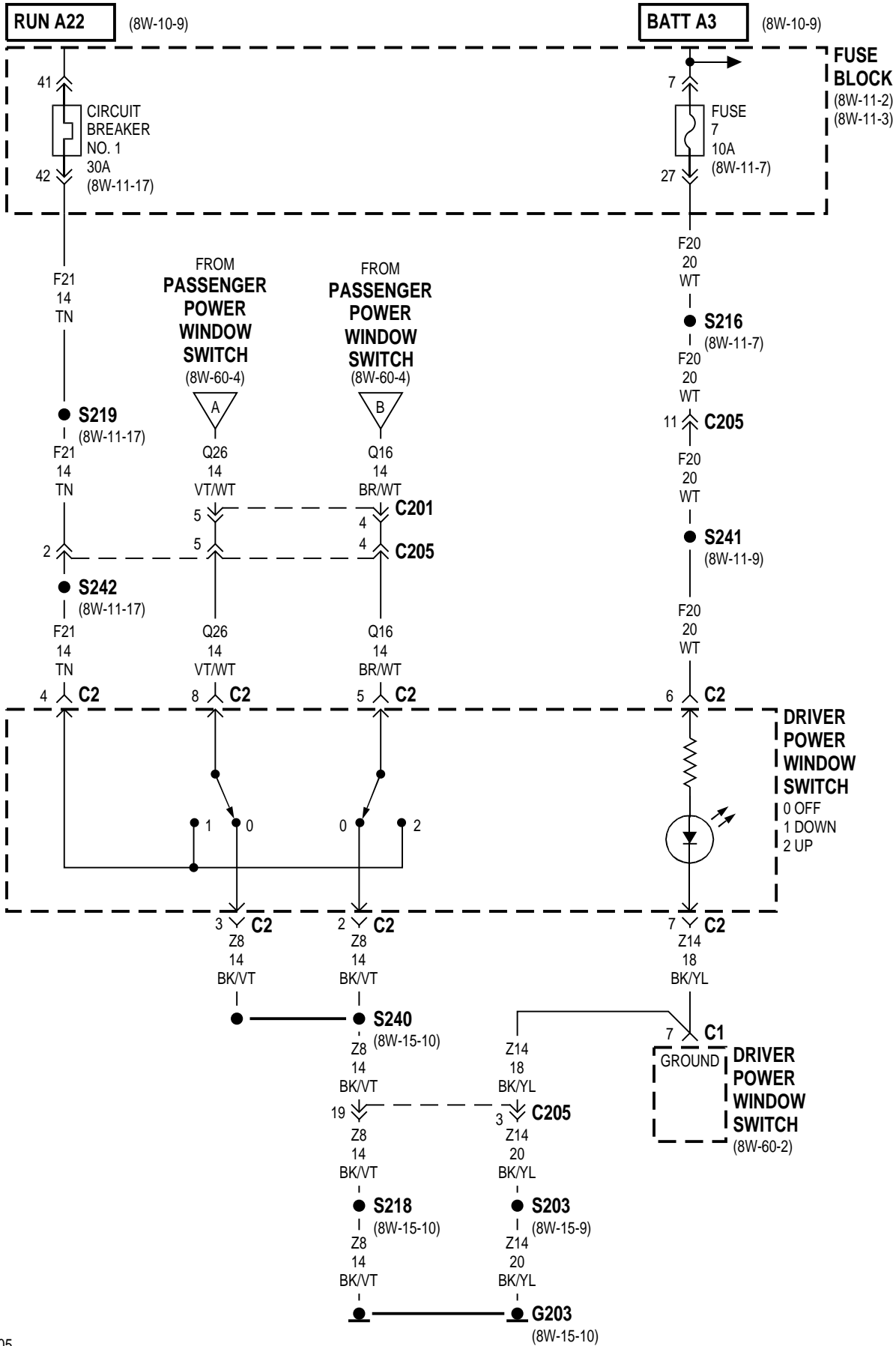


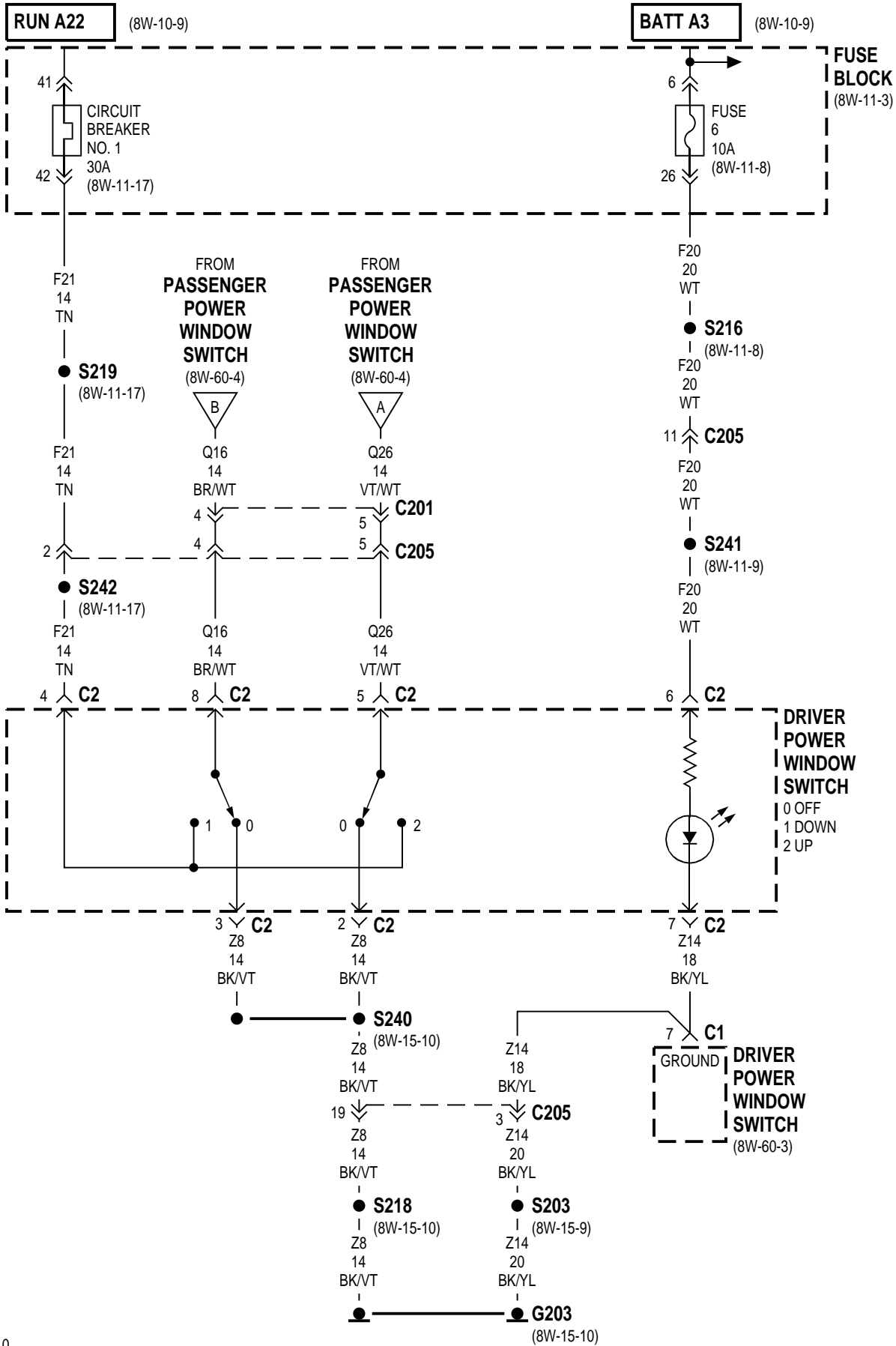
8W-60 POWER WINDOWS

Component	Page	Component	Page
Circuit Breaker No. 1 (FB)	8W-60-2, 3, 4, 5, 6	Fuse Block	8W-60-2, 3, 4, 5, 6
Driver Power Window Motor	8W-60-2, 3	G203	8W-60-2, 3, 4, 5, 6
Driver Power Window Switch	8W-60-2, 3, 5, 6	Passenger Door Lock Switch	8W-60-4
Fuse 6 (FB)	8W-60-3, 4, 6	Passenger Power Window Motor	8W-60-4
Fuse 7 (FB)	8W-60-2, 4, 5	Passenger Power Window Switch	8W-60-4



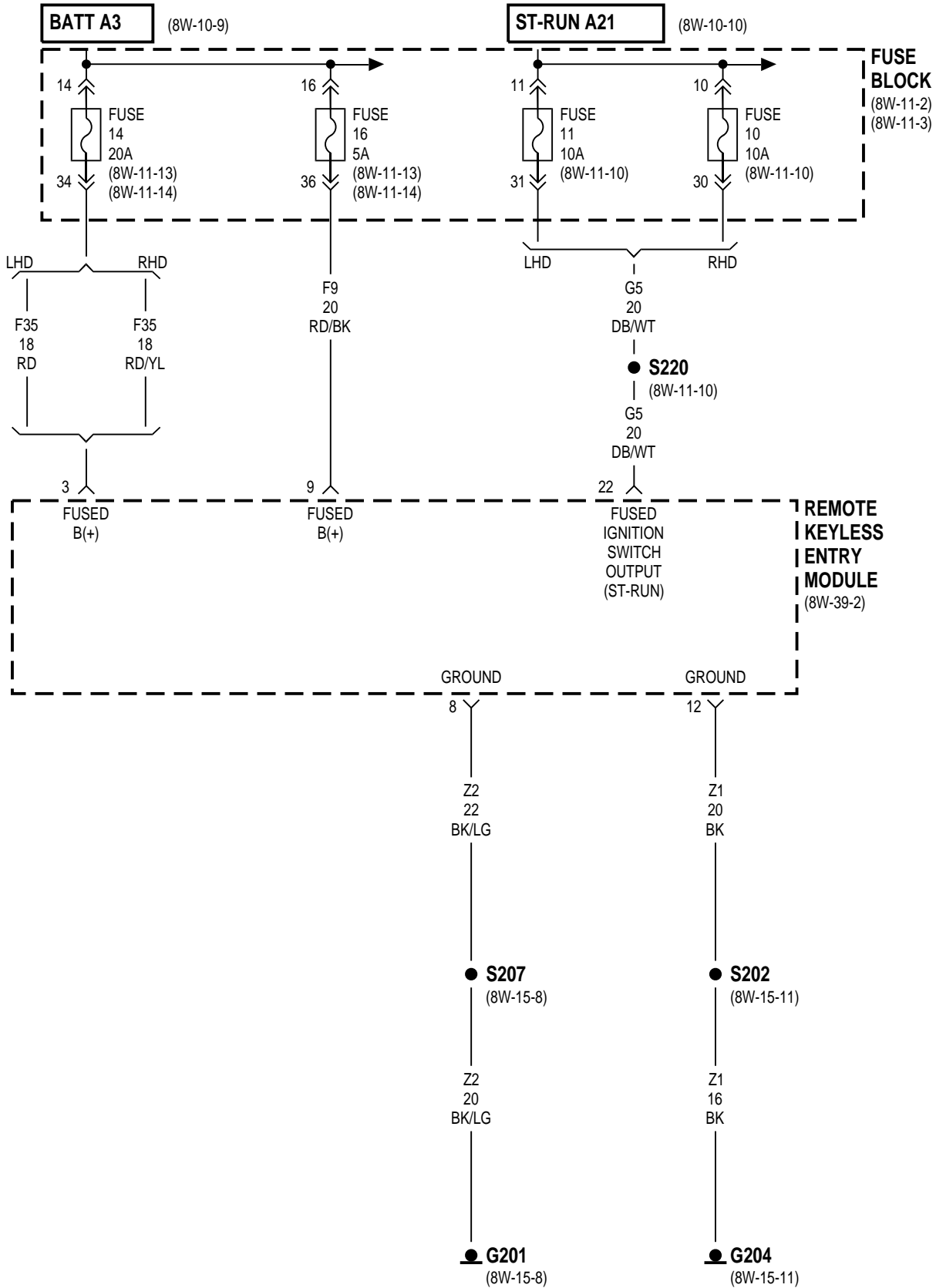


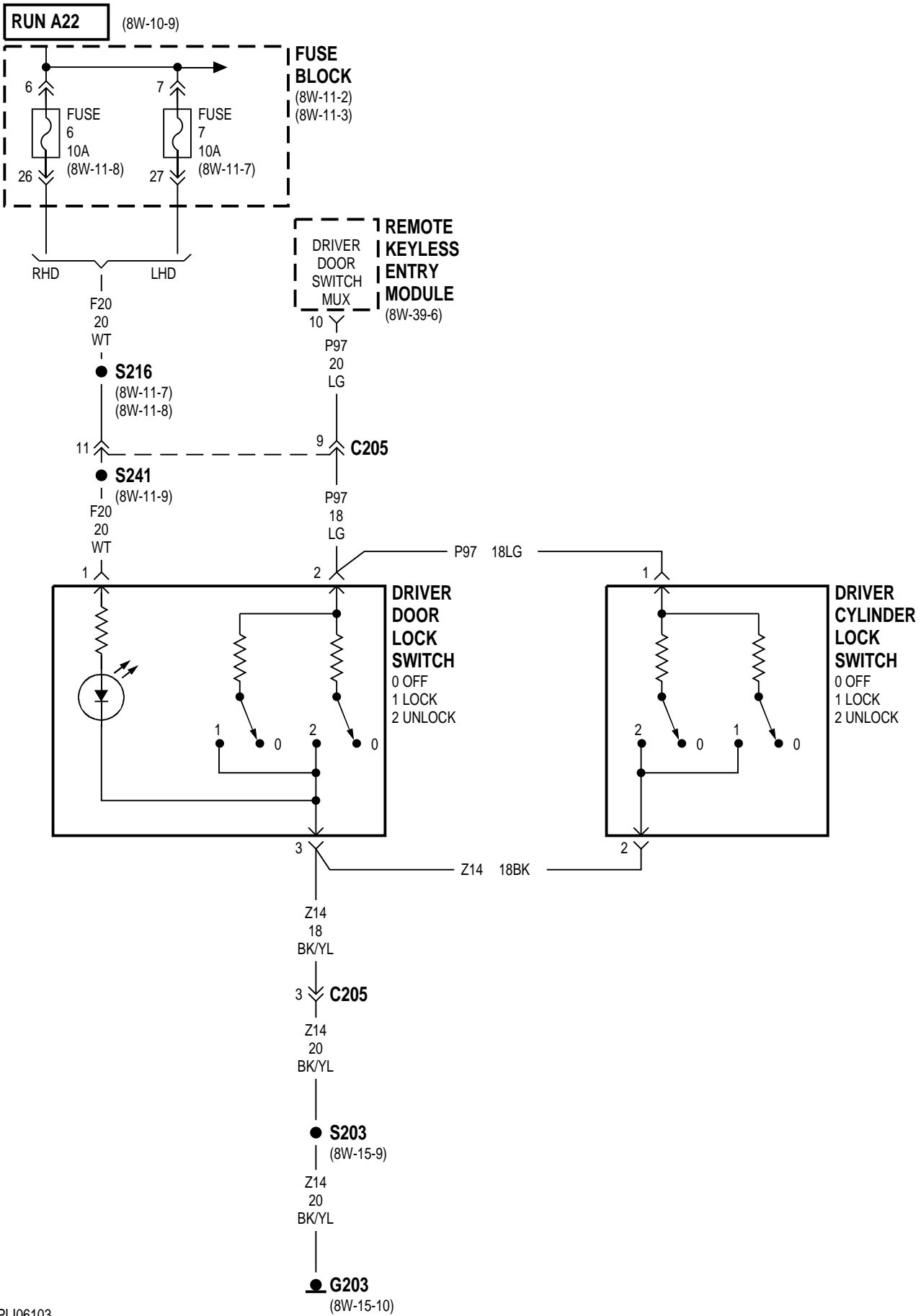


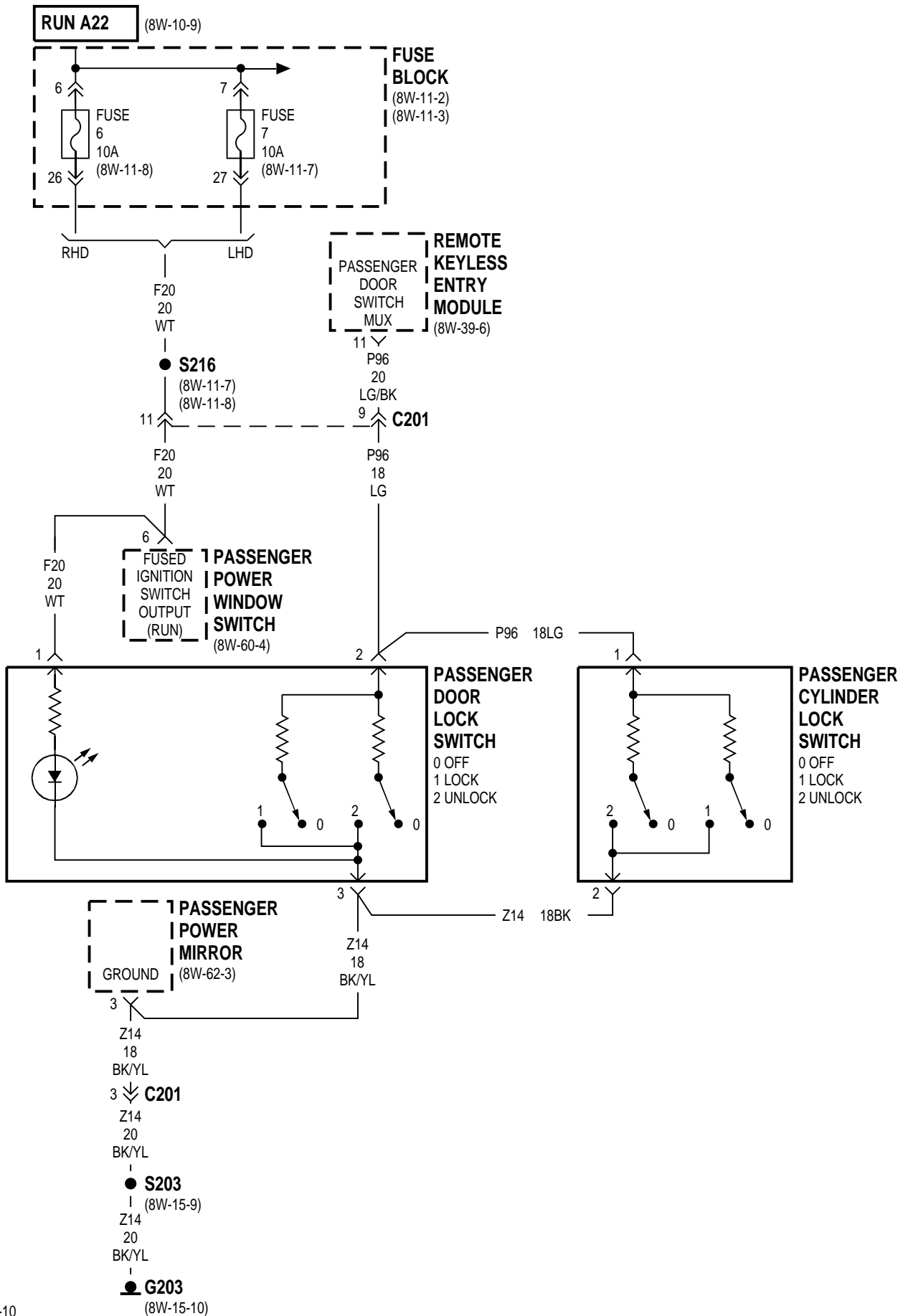


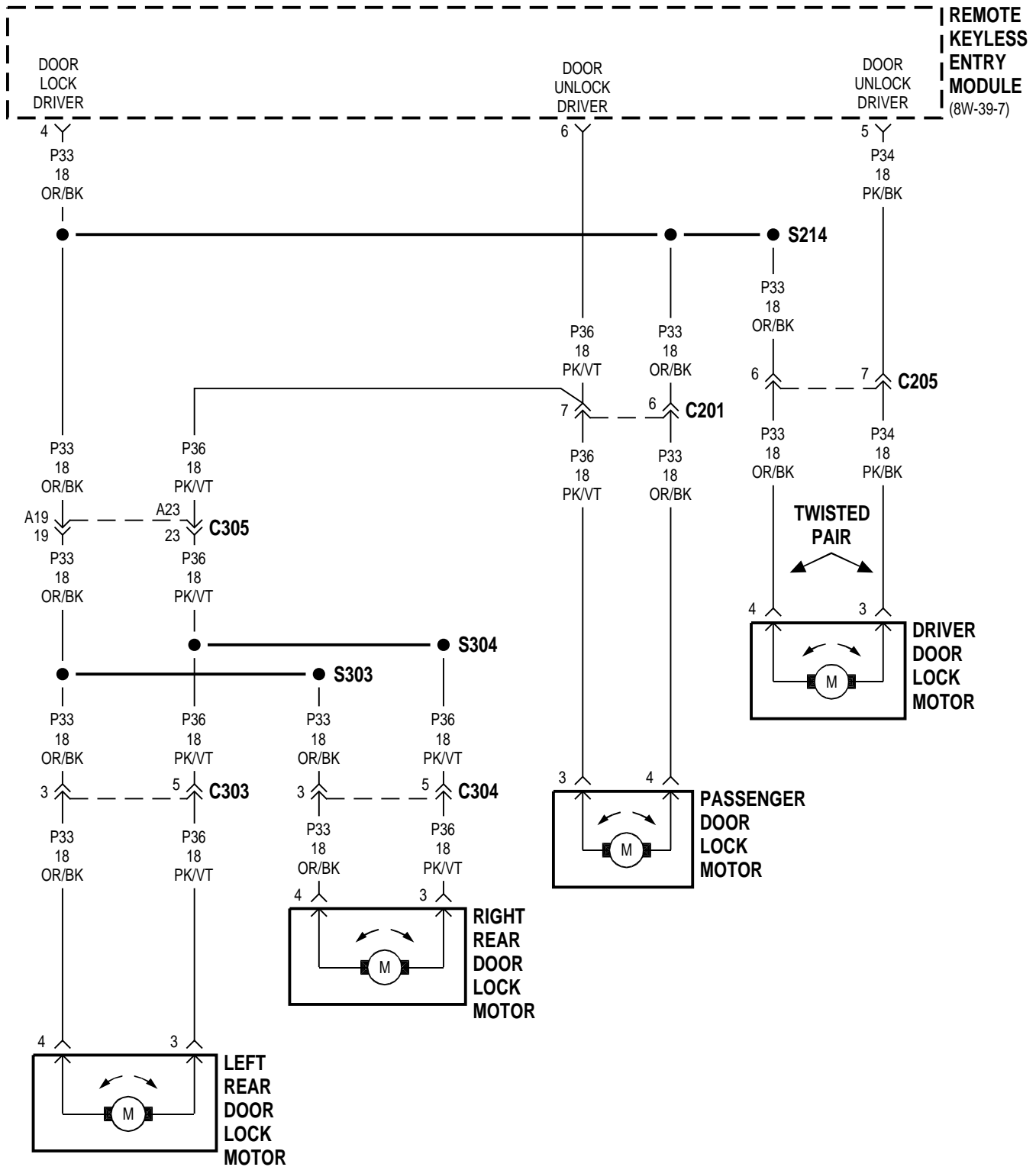
8W-61 POWER DOOR LOCKS

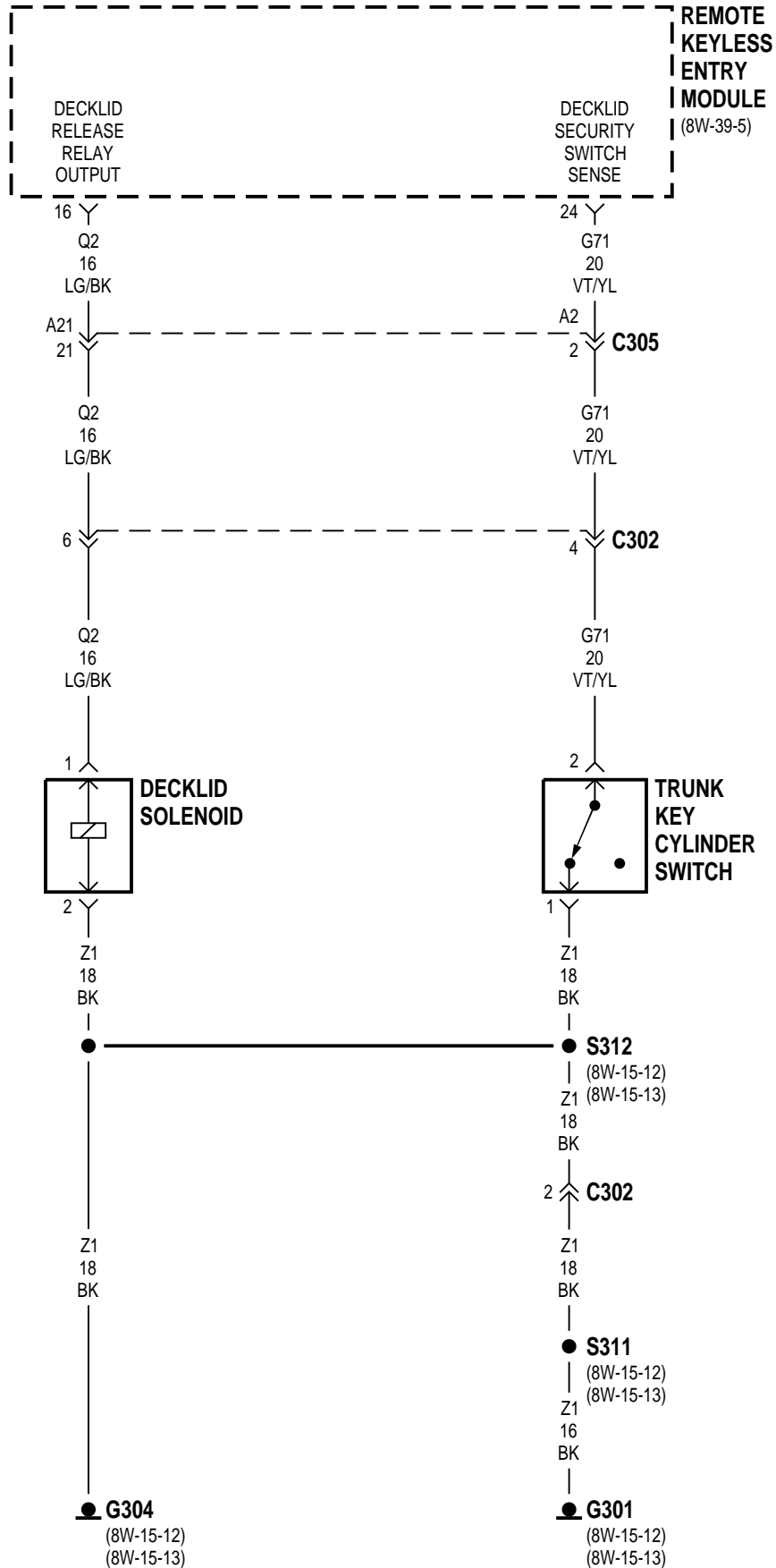
Component	Page	Component	Page
Decklid Solenoid	8W-61-6	G204	8W-61-2
Driver Cylinder Lock Switch	8W-61-3	G301	8W-61-6
Driver Door Lock Motor	8W-61-5	G304	8W-61-6
Driver Door Lock Switch	8W-61-3	Left Rear Door Lock Motor	8W-61-5
Fuse 6 (FB)	8W-61-3, 4	Passenger Cylinder Lock Switch	8W-61-4
Fuse 7 (FB)	8W-61-3, 4	Passenger Door Lock Motor	8W-61-5
Fuse 10 (FB)	8W-61-2	Passenger Door Lock Switch	8W-61-4
Fuse 11 (FB)	8W-61-2	Passenger Power Mirror	8W-61-4
Fuse 14 (FB)	8W-61-2	Passenger Power Window Switch	8W-61-4
Fuse 16 (FB)	8W-61-2	Remote Keyless Entry Module . . .	8W-61-2, 3, 4, 5, 6
Fuse Block	8W-61-2, 3, 4	Right Rear Door Lock Motor	8W-61-5
G201	8W-61-2	Trunk Key Cylinder Switch	8W-61-6
G203	8W-61-3, 4		





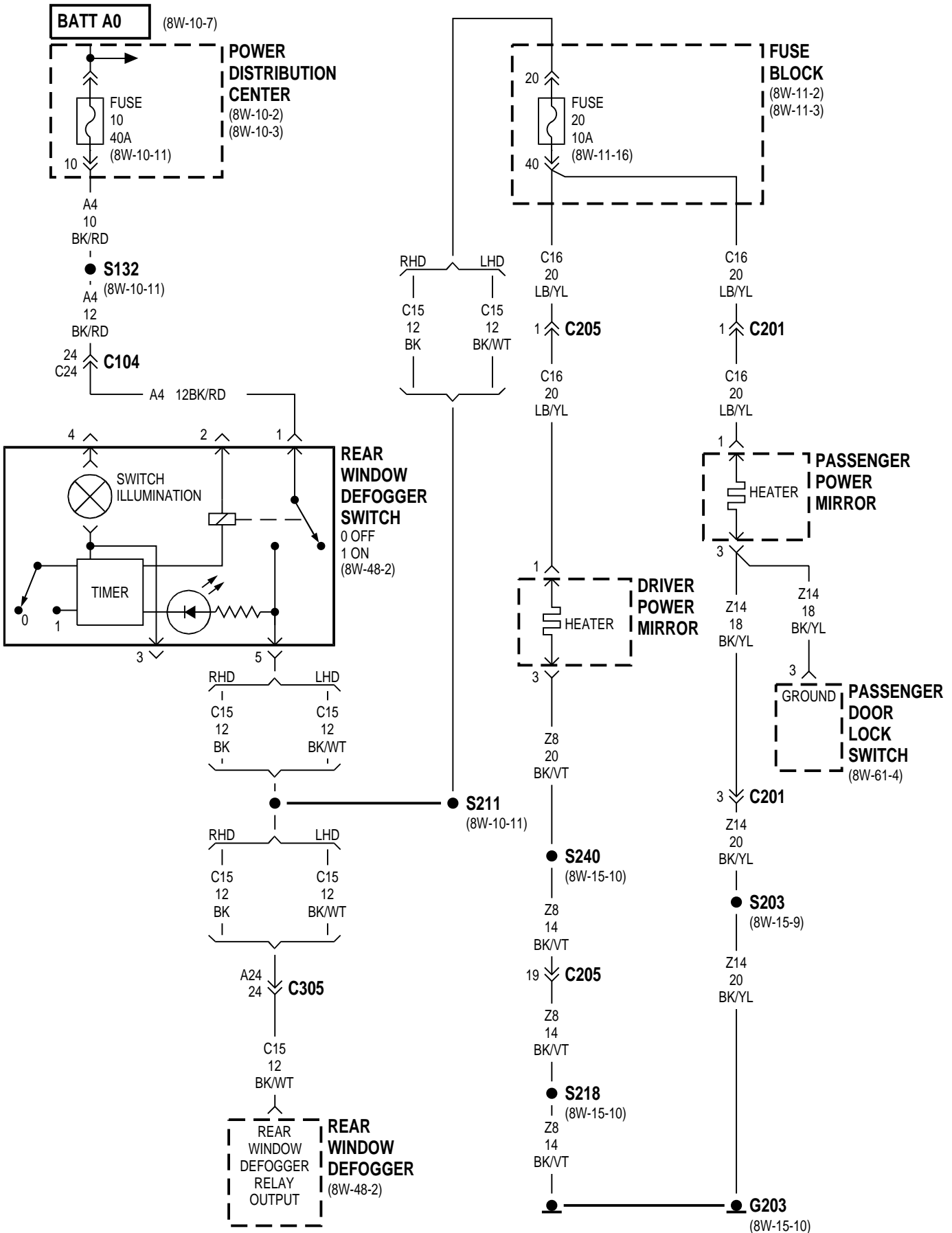


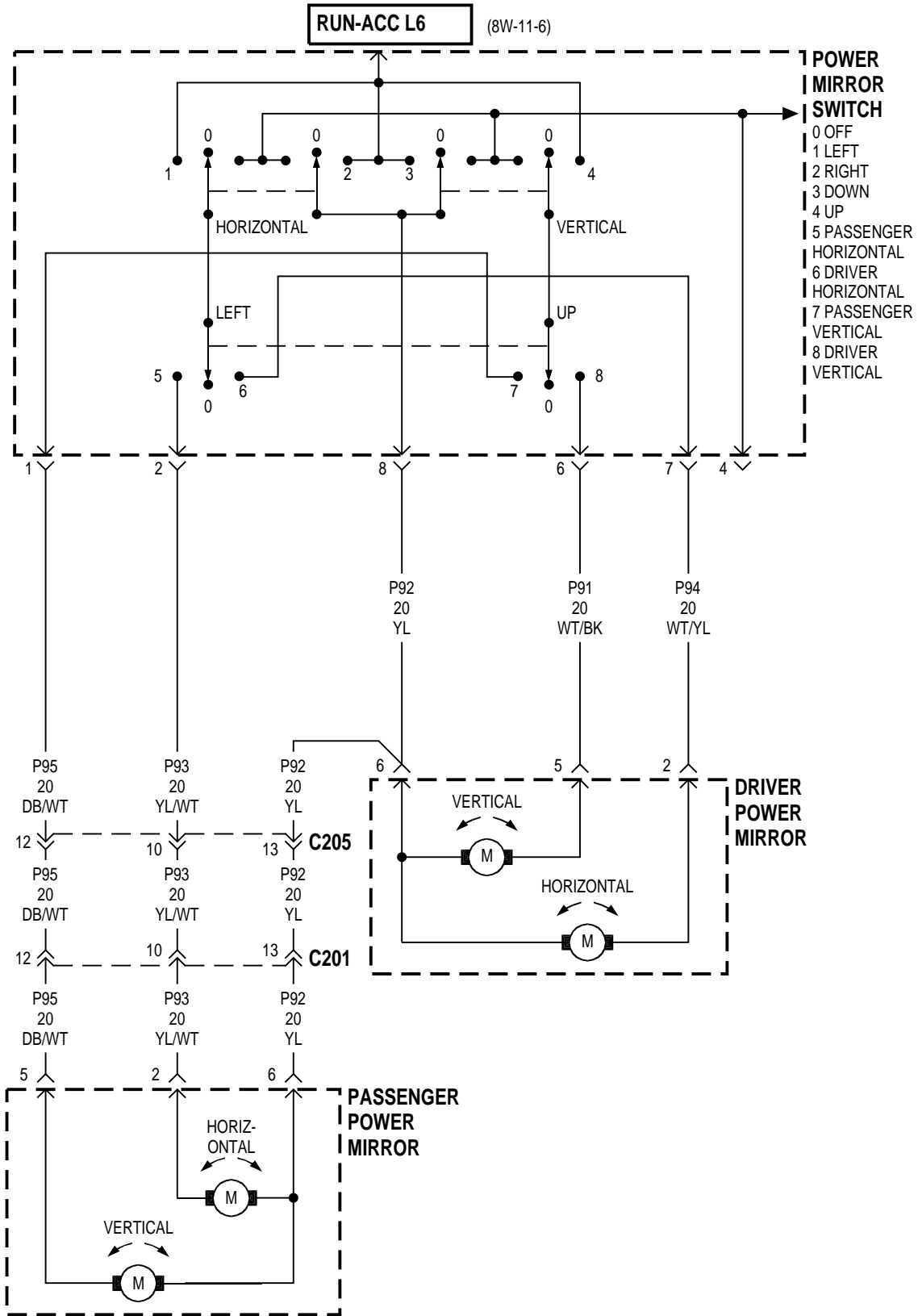


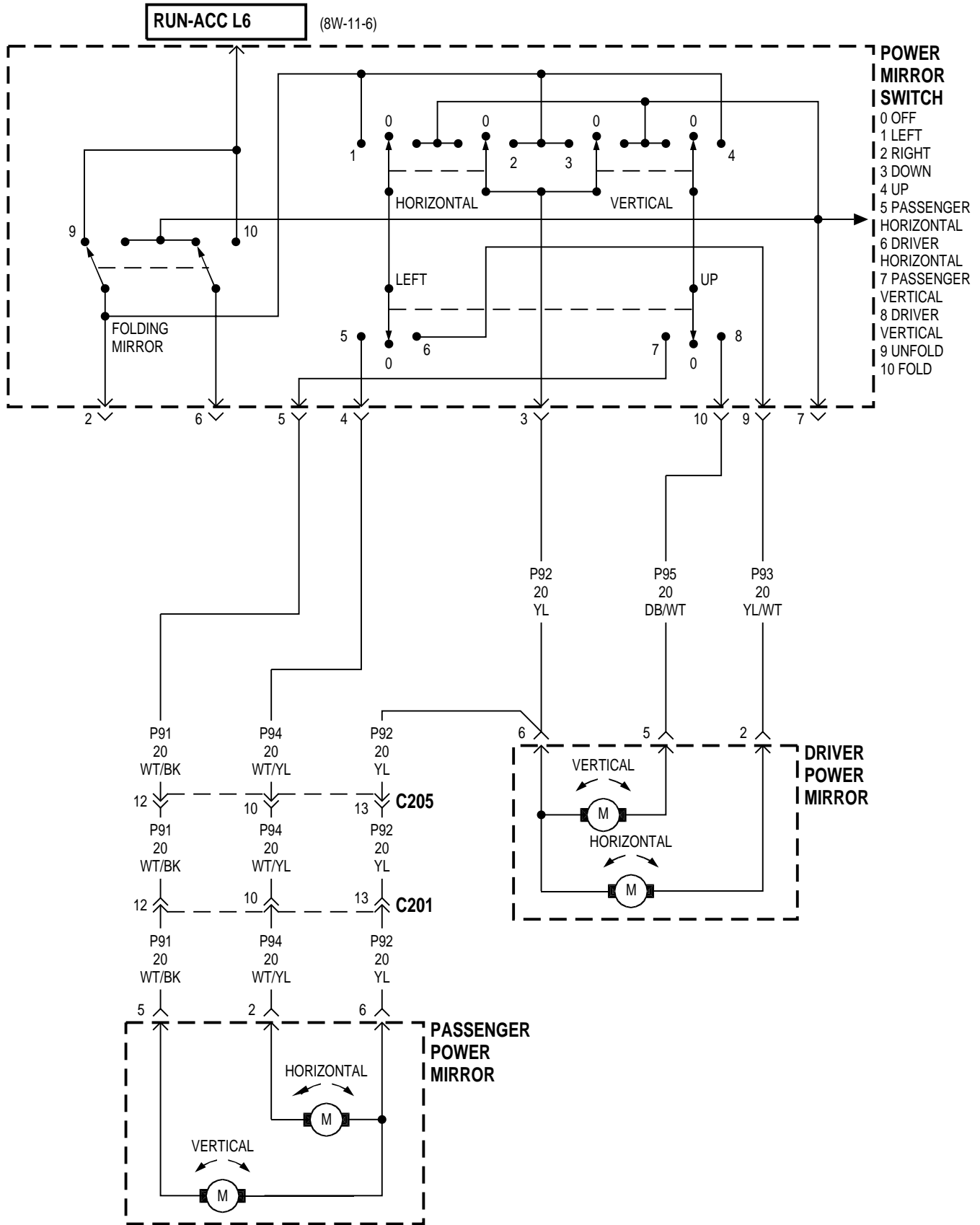


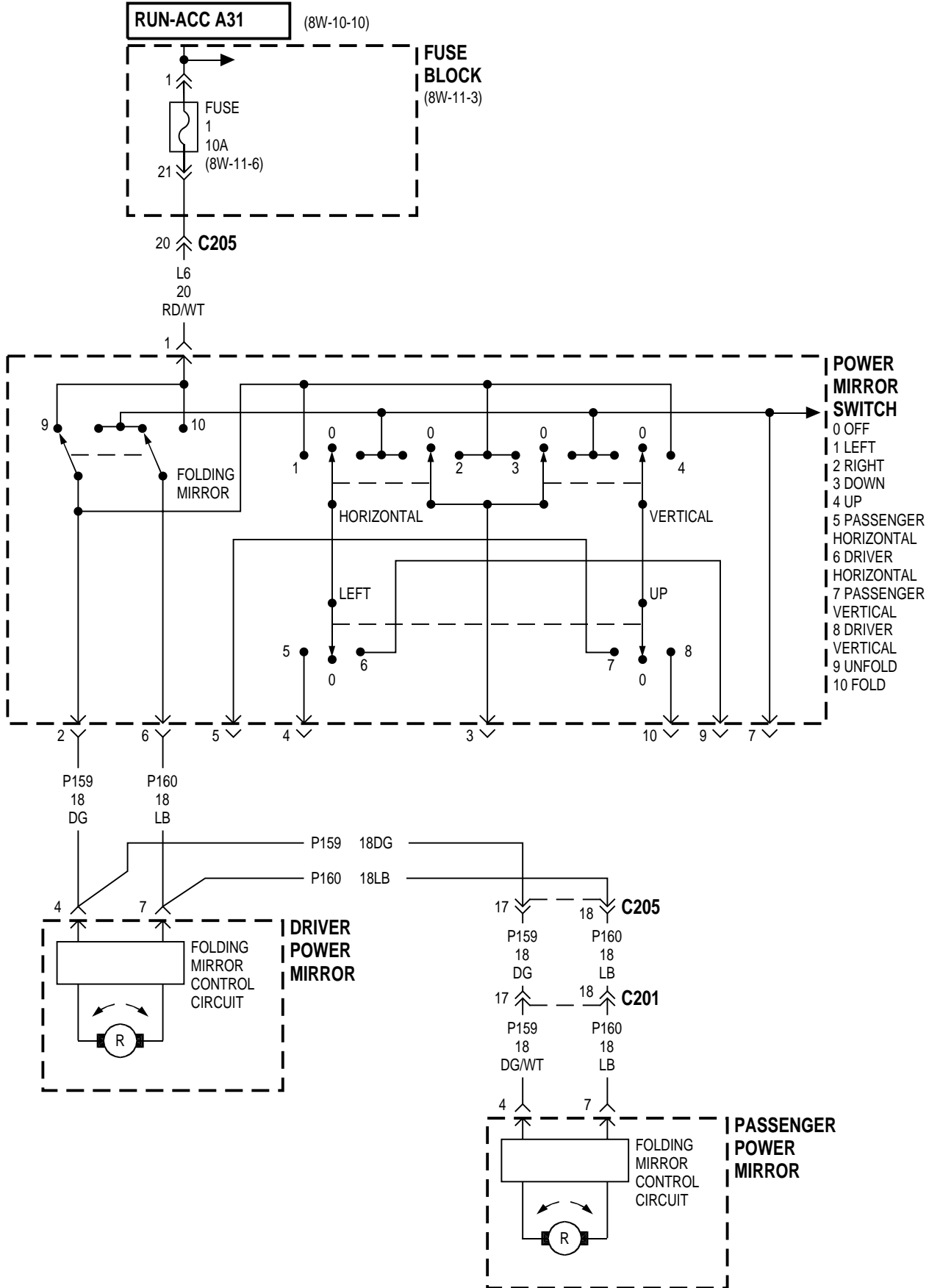
8W-62 POWER MIRRORS

Component	Page	Component	Page
Driver Power Mirror	8W-62-3, 4, 5, 6	G203	8W-62-2, 3
Fuse 1 (FB)	8W-62-2, 6	Passenger Door Lock Switch	8W-62-3
Fuse 6 (FB)	8W-62-2	Passenger Power Mirror	8W-62-3, 4, 5, 6
Fuse 7 (FB)	8W-62-2	Power Distribution Center	8W-62-3
Fuse 10 (PDC)	8W-62-3	Power Mirror Switch	8W-62-2, 4, 5, 6
Fuse 20 (FB)	8W-62-3	Rear Window Defogger	8W-62-3
Fuse Block	8W-62-2, 3, 6	Rear Window Defogger Switch	8W-62-3



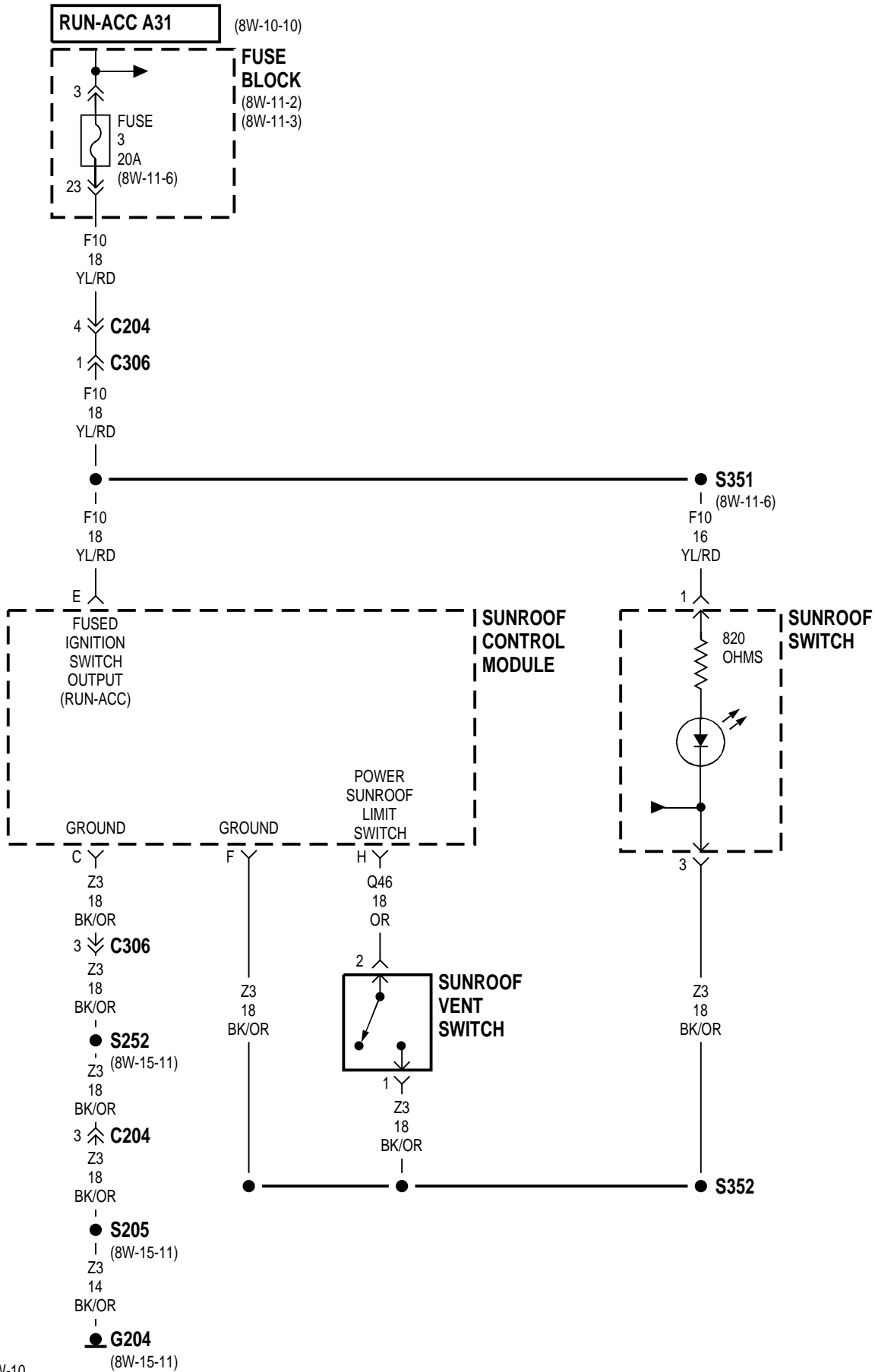


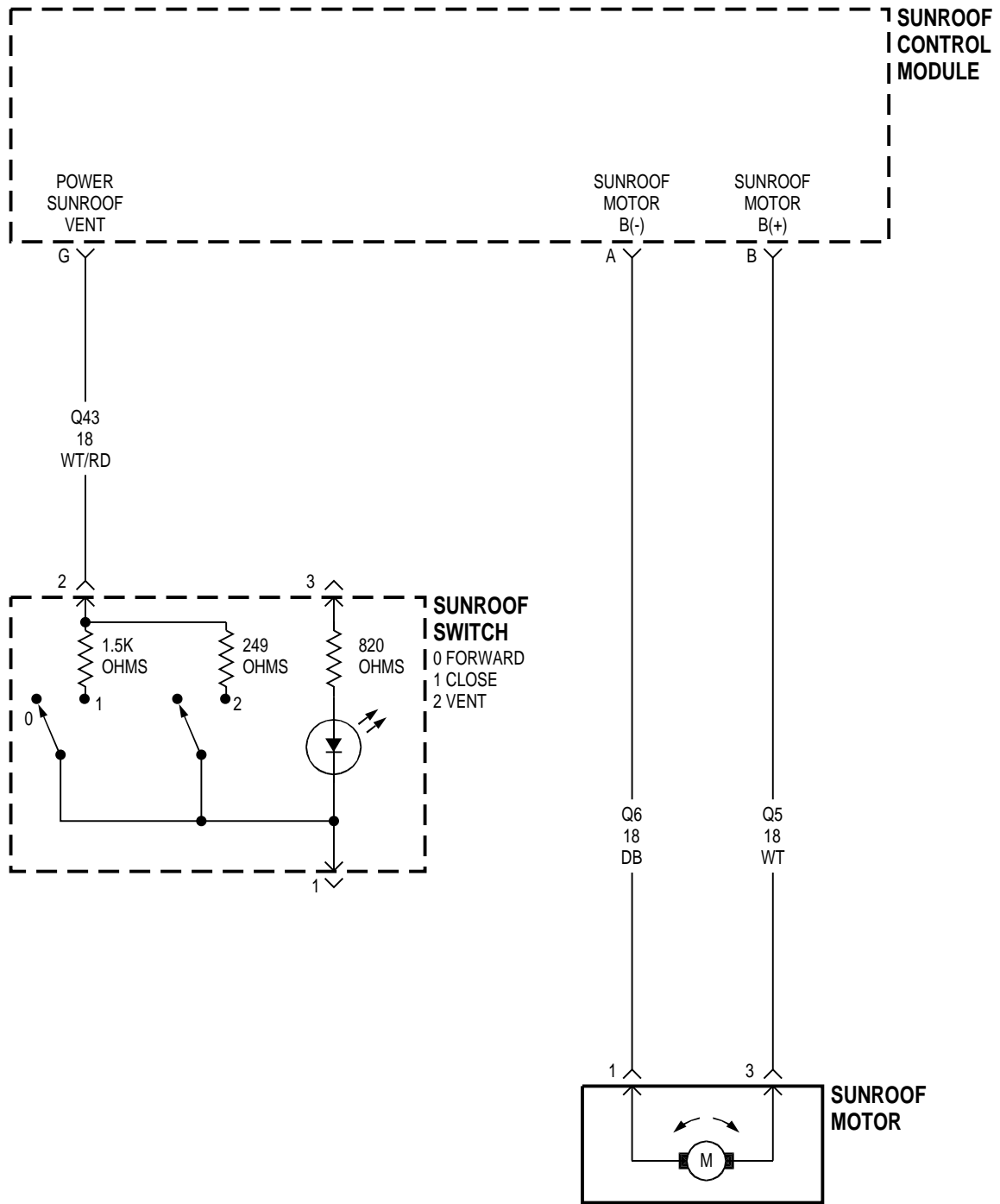




8W-64 POWER SUNROOF

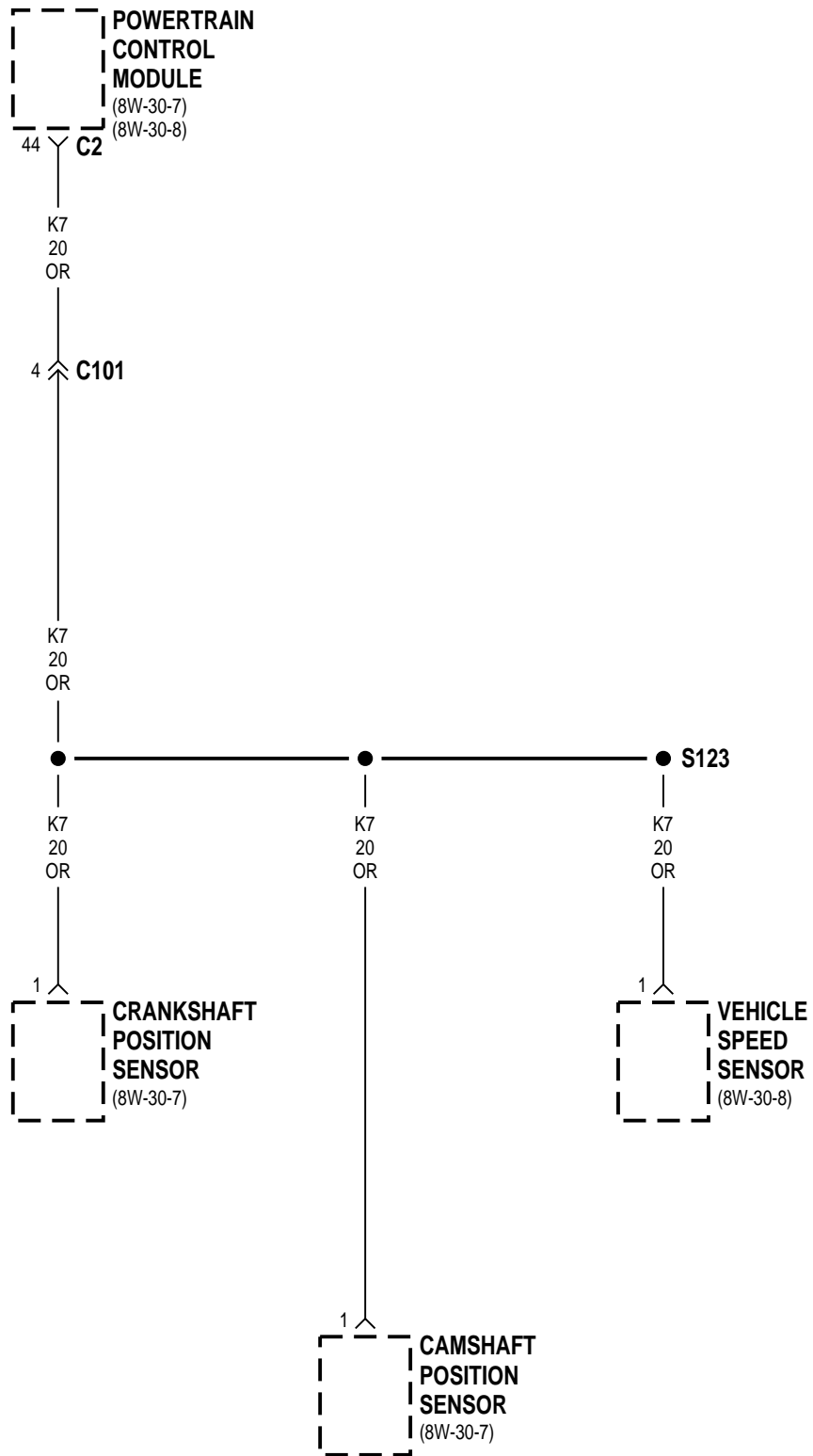
Component	Page	Component	Page
Fuse 3 (FB)	8W-64-2	Sunroof Motor	8W-64-3
Fuse Block	8W-64-2	Sunroof Switch	8W-64-2, 3
G204	8W-64-2	Sunroof Vent Switch	8W-64-2
Sunroof Control Module	8W-64-2, 3		

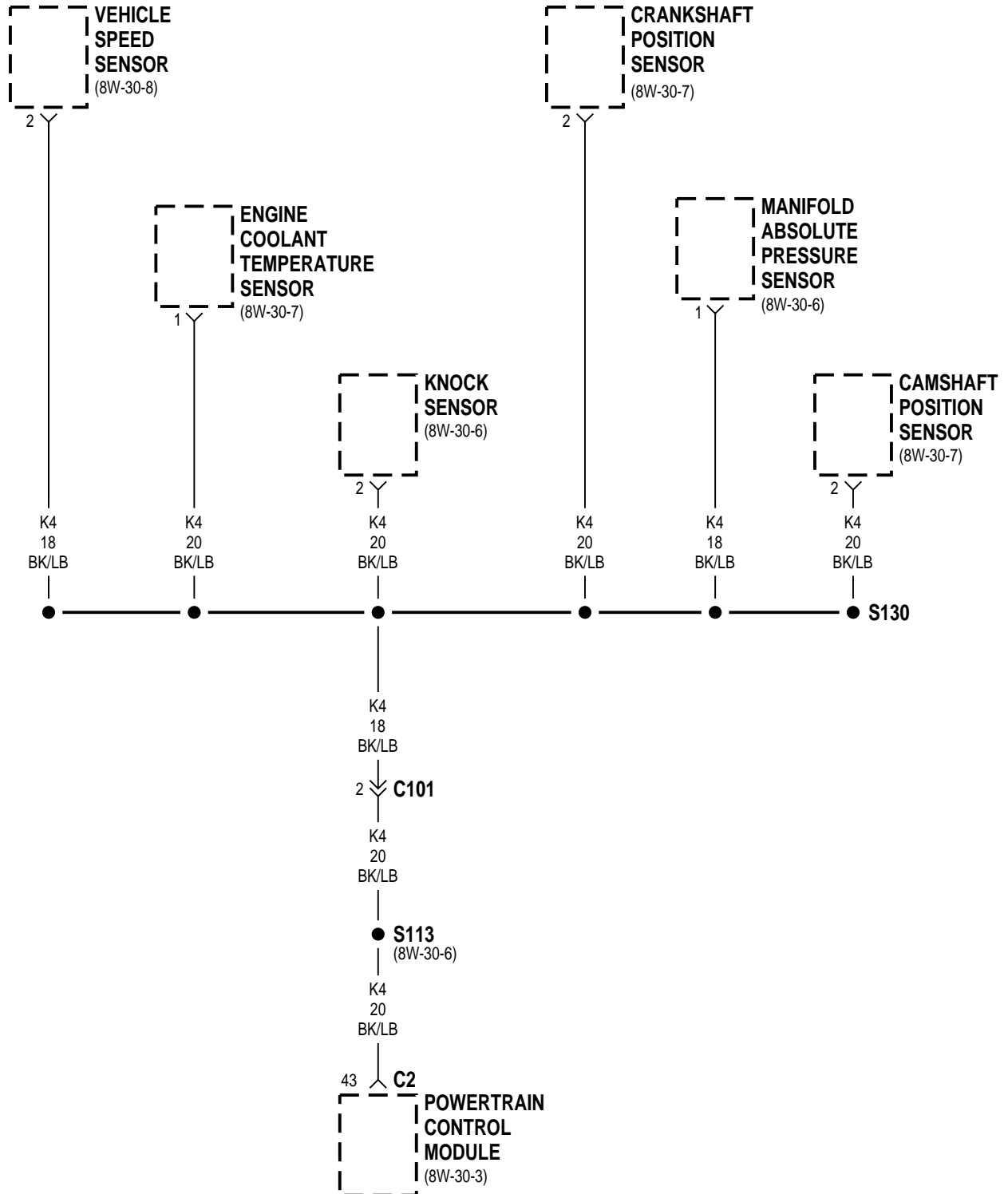




8W-70 SPLICE INFORMATION

Component	Page	Component	Page
S101	8W-11-19, 20	S209	8W-11-18
S102	8W-11-19, 20	S210	8W-15-8
S103	8W-10-12	S211	8W-10-11
S104	8W-30-4	S212	8W-11-18
S105	8W-50-9	S213	8W-11-13, 14
S106	8W-10-16	S214	8W-61-5
S107	8W-15-4	S215	8W-11-21
S108	8W-10-18	S216	8W-11-7, 8
S109	8W-11-11, 12	S217	8W-30-4
S110	8W-15-2	S218	8W-15-10
S111	8W-11-20	S219	8W-11-17
S112	8W-15-3	S220	8W-11-10
S113	8W-30-6	S221	8W-40-8
S114	8W-30-6	S222	8W-10-9
S116	8W-11-20	S223	8W-11-20
S117	8W-15-7	S224	8W-10-9
S118	8W-11-15	S225	8W-44-3
S119	8W-15-5	S226	8W-40-8
S120	8W-39-14	S227	8W-10-18
S121	8W-10-17	S240	8W-15-10
S122	8W-10-17	S241	8W-11-9
S123	8W-70-2	S242	8W-11-17
S125	8W-20-2	S251	8W-10-12
S129	8W-30-3	S252	8W-15-11
S130	8W-70-3	S301	8W-15-16
S131	8W-15-7	S302	8W-51-2
S132	8W-10-11	S303	8W-61-5
S133	8W-10-12	S304	8W-61-5
S134	8W-15-3	S305	8W-40-7, 8
S141	8W-15-6	S306	8W-11-13, 14
S142	8W-10-15	S307	8W-10-14
S201	8W-10-12	S308	8W-30-14, 18
S202	8W-15-11	S309	8W-10-12
S203	8W-15-9	S310	8W-15-14, 15
S204	8W-42-3, 4	S311	8W-15-12, 13
S205	8W-15-11	S312	8W-15-12, 13
S206	8W-44-5	S351	8W-11-6
S207	8W-15-8	S352	8W-64-2
S208	8W-41-2, 3		





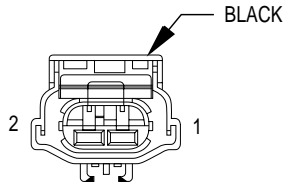
8W-80 CONNECTOR PIN-OUTS

Component	Page	Component	Page
A/C Compressor Clutch	8W-80-4	C303	8W-80-15
A/C Cycling Switch	8W-80-4	C304	8W-80-15
A/C Heater Blower Motor	8W-80-4	C305	8W-80-16, 17
A/C Heater Control	8W-80-4	C306	8W-80-17
A/C High Pressure Switch	8W-80-4	Camshaft Position Sensor	8W-80-18
A/C Low Pressure Switch	8W-80-5	Cargo Lamp	8W-80-18
Airbag Control Module	8W-80-5	Center High Mounted Stop Lamp	8W-80-18
Back-Up Lamp Switch	8W-80-5	Center Stack Lamp	8W-80-18
Blower Motor Resistor Block	8W-80-6	Cigar Lighter/Power Outlet	8W-80-18
Brake Lamp Switch	8W-80-6	Clockspring	8W-80-19
Brake Shift Interlock Solenoid	8W-80-6	Clutch Interlock Switch	8W-80-19
Brake Warning Indicator Switch	8W-80-6	Controller Anti-Lock Brake	8W-80-19
C101	8W-80-7	Crankshaft Position Sensor	8W-80-20
C102	8W-80-7	Data Link Connector	8W-80-20
C103	8W-80-8	Decklid Solenoid	8W-80-20
C104	8W-80-9	Dome Lamp	8W-80-20
C105	8W-80-10	Dome Lamp/Intrusion Sensor	8W-80-21
C106	8W-80-10	Driver Airbag	8W-80-21
C107	8W-80-10	Driver Cylinder Lock Switch	8W-80-21
C108	8W-80-10	Driver Door Lock Motor	8W-80-21
C109	8W-80-11	Driver Door Lock Switch	8W-80-21
C110	8W-80-11	Driver Power Mirror	8W-80-22
C111	8W-80-11	Driver Power Window Motor	8W-80-22
C201	8W-80-12	Driver Power Window Switch	8W-80-23
C202	8W-80-13	Engine Coolant Temperature Sensor	8W-80-23
C203	8W-80-13	Engine Oil Pressure Switch	8W-80-24
C204	8W-80-13	Fuel Injector No. 1	8W-80-24
C205	8W-80-14	Fuel Injector No. 2	8W-80-24
C301	8W-80-15	Fuel Injector No. 3	8W-80-24
C302	8W-80-15	Fuel Injector No. 4	8W-80-24

Component	Page	Component	Page
Fuel Pump Module	8W-80-25	Left Rear Fog Lamp	8W-80-31
Generator	8W-80-25	Left Rear Speaker	8W-80-31
Glove Box Lamp/Switch	8W-80-25	Left Rear Turn Signal Lamp	8W-80-31
Headlamp Leveling Switch	8W-80-25	Left Rear Wheel Speed Sensor	8W-80-31
High Note Horn	8W-80-25	Left Repeater Lamp	8W-80-32
Hood Ajar Switch	8W-80-26	Left Tail/Stop Lamp	8W-80-32
Idle Air Control Motor	8W-80-26	Left Tail/Stop/Turn Signal Lamp	8W-80-32
Ignition Coil	8W-80-26	License Lamp	8W-80-32
Ignition Switch	8W-80-26	Low Note Horn	8W-80-32
Inlet Air Temperature Sensor	8W-80-27	Manifold Absolute Pressure Sensor	8W-80-33
Instrument Cluster	8W-80-27	Map/Reading Lamps	8W-80-33
Knock Sensor	8W-80-27	Multi-Function Switch	8W-80-33
Leak Detection Pump	8W-80-28	Oxygen Sensor 1/1 Upstream	8W-80-34
Left Back-Up Lamp	8W-80-28	Oxygen Sensor 1/2 Downstream	8W-80-34
Left City Lamp	8W-80-28	Park/Neutral Position Switch	8W-80-34
Left Front Door Speaker	8W-80-28	Passenger Airbag	8W-80-34
Left Front Fog Lamp	8W-80-28, 29	Passenger Cylinder Lock Switch	8W-80-34
Left Front Side Marker Lamp	8W-80-29	Passenger Door Lock Motor	8W-80-34
Left Front Turn Signal Lamp	8W-80-29	Passenger Door Lock Switch	8W-80-35
Left Front Wheel Speed Sensor	8W-80-29	Passenger Power Mirror	8W-80-35
Left Headlamp	8W-80-29, 30	Passenger Power Window Motor	8W-80-35
Left Headlamp Leveling Motor	8W-80-30	Passenger Power Window Switch	8W-80-35
Left Instrument Panel Speaker	8W-80-30	Power Mirror Switch	8W-80-36
Left License Lamp	8W-80-30	Power Steering Pressure Switch	8W-80-36
Left Park/Turn Signal Lamp	8W-80-30	Powertrain Control Module - C1	8W-80-37
Left Rear Door Lock Motor	8W-80-31	Powertrain Control Module - C2	8W-80-38

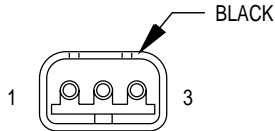
Component	Page
PRNDL Lamp	8W-80-39
Proportional Evap/Purge Solenoid	8W-80-39
Radiator Fan Motor	8W-80-39
Radio	8W-80-39
Rear Window Defogger Switch	8W-80-40
Remote Keyless Entry Module	8W-80-40
Right Back-Up Lamp	8W-80-41
Right City Lamp	8W-80-41
Right Front Door Speaker	8W-80-41
Right Front Fog Lamp	8W-80-41
Right Front Side Marker Lamp	8W-80-42
Right Front Turn Signal Lamp	8W-80-42
Right Front Wheel Speed Sensor	8W-80-42
Right Headlamp	8W-80-42
Right Headlamp Leveling Motor	8W-80-43
Right Instrument Panel Speaker	8W-80-43
Right License Lamp	8W-80-43
Right Park/Turn Signal Lamp	8W-80-43
Right Rear Door Lock Motor	8W-80-43
Right Rear Fog Lamp	8W-80-44
Right Rear Speaker	8W-80-44
Right Rear Turn Signal Lamp	8W-80-44

Component	Page
Right Rear Wheel Speed Sensor	8W-80-44
Right Repeater Lamp	8W-80-44
Right Tail/Stop Lamp	8W-80-45
Right Tail/Stop/Turn Signal Lamp	8W-80-45
Seat Belt Switch	8W-80-45
Sentry Key Immobilizer Module	8W-80-45
Siren	8W-80-45
Sunroof Control Module	8W-80-46
Sunroof Motor	8W-80-46
Sunroof Switch	8W-80-46
Sunroof Vent Switch	8W-80-46
Throttle Position Sensor	8W-80-46
Torque Converter Clutch Solenoid	8W-80-47
Traction Control Switch	8W-80-47
Trunk Key Cylinder Switch	8W-80-47
Underhood Lamp	8W-80-47
Vehicle Speed Control Servo	8W-80-47
Vehicle Speed Sensor	8W-80-48
Windshield Washer Pump	8W-80-48
Wipe/Wash Switch	8W-80-48
Wiper Motor	8W-80-48



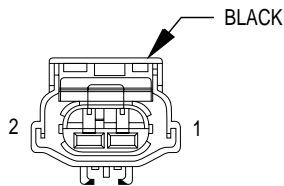
A/C COMPRESSOR CLUTCH

CAV	CIRCUIT	FUNCTION
1	C3 20DB/BK	A/C COMPRESSOR CLUTCH RELAY OUTPUT
2	Z1 20BK	GROUND



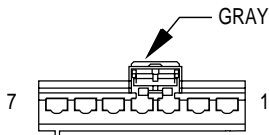
A/C CYCLING SWITCH

CAV	CIRCUIT	FUNCTION
1	C21 22DB/OR	A/C SWITCH SENSE
2	F20 22WT	FUSED IGNITION SWITCH OUTPUT (RUN)
3	C2 22DB/YL	MODE SWITCH OUTPUT



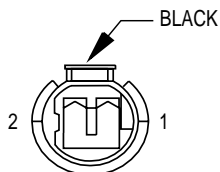
A/C - HEATER BLOWER MOTOR

CAV	CIRCUIT	FUNCTION
1	C1 14DG	BLOWER MOTOR SUPPLY
2	C7 14BK/TN	BLOWER MOTOR HIGH DRIVER



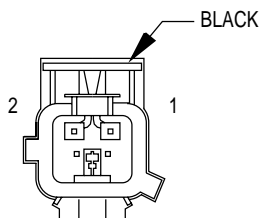
A/C - HEATER CONTROL

CAV	CIRCUIT	FUNCTION
1	Z8 14BK/VT	GROUND
2	C7 14BK/TN	BLOWER MOTOR HIGH DRIVER
3	C6 14LB	BLOWER MOTOR M2 DRIVER
4	C5 14LG	BLOWER MOTOR M1 DRIVER
5	C4 14TN	BLOWER MOTOR LOW DRIVER
6	C2 22DB/YL	MODE SWITCH OUTPUT
7	E2 22OR	PANEL LAMPS DRIVER



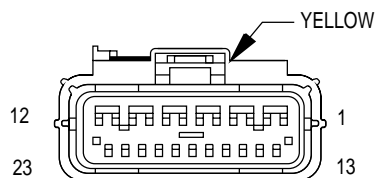
A/C HIGH PRESSURE SWITCH

CAV	CIRCUIT	FUNCTION
1	C20 20BR/OR	A/C SWITCH SENSE
2	C22 20DB/WT	PRESSURE SWITCH OUTPUT



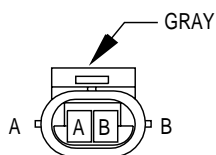
**A/C LOW
PRESSURE
SWITCH**

CAV	CIRCUIT	FUNCTION
1	C22 20DB/WT	PRESSURE SWITCH OUTPUT
2	C21 20DB/OR	A/C SWITCH SENSE



**AIRBAG
CONTROL MODULE**

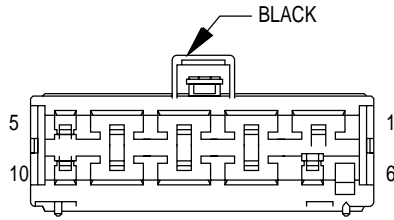
CAV	CIRCUIT	FUNCTION
1	-	-
2	-	-
3	-	-
4	Z6 18BK/PK	GROUND
5	R43 18BK/LB	DRIVER AIRBAG LINE 2
6	R45 18DG/LB	DRIVER AIRBAG LINE 1
7	R42 18BK/YL	PASSENGER AIRBAG LINE 2
8	R44 18DG/YL	PASSENGER AIRBAG LINE 1
9	-	-
10	-	-
11	-	-
12	-	-
13	-	-
14	F15 18DG/WT	FUSED IGNITION SWITCH OUTPUT (ST-RUN)
15	F25 18TN/LG	FUSED IGNITION SWITCH OUTPUT (RUN)
16	-	-
17	-	-
18	-	-
19	-	-
20	-	-
21	D25 18VT/YL	PCI BUS
22	-	-
23	-	-



**BACK-UP LAMP
SWITCH
(MTX)**

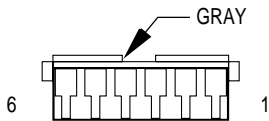
CAV	CIRCUIT	FUNCTION
A	L1 18VT/BK	BACK-UP LAMP FEED
B	F20 20WT ▲▲	FUSED IGNITION SWITCH OUTPUT (RUN)
B	F20 18WT ▲	FUSED IGNITION SWITCH OUTPUT (RUN)

▲ EXCEPT BUILT-UP-EXPORT
▲▲ BUILT-UP-EXPORT



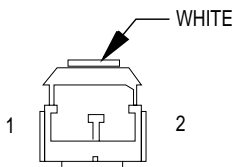
BLOWER MOTOR RESISTOR BLOCK

CAV	CIRCUIT	FUNCTION
1	C5 14LG	BLOWER MOTOR M1 DRIVER
2	-	-
3	-	-
4	-	-
5	C4 14TN	BLOWER MOTOR LOW DRIVER
6	-	-
7	C6 14LB	BLOWER MOTOR M2 DRIVER
8	-	-
9	C7 14BK/TN	BLOWER MOTOR HIGH DRIVER
10	-	-



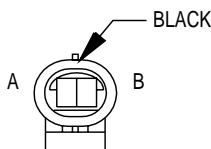
BRAKE LAMP SWITCH

CAV	CIRCUIT	FUNCTION
1	K29 20WT/PK	BRAKE LAMP SWITCH SENSE
	K29 20WT/PK	BRAKE LAMP SWITCH SENSE
2	Z12 20BK/TN	GROUND
3	V32 20YL/RD	▽ SPEED CONTROL POWER SUPPLY
4	V30 20DB/RD	▽ SPEED CONTROL BRAKE LAMP SWITCH OUTPUT
5	L50 20WT/TN	BRAKE LAMP SWITCH OUTPUT
6	F32 18PK/DB	FUSED B(+)



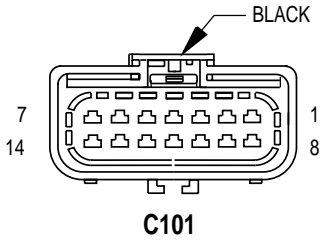
BRAKE SHIFT INTERLOCK SOLENOID

CAV	CIRCUIT	FUNCTION
1	K29 20WT/PK	BRAKE LAMP SWITCH SENSE
2	F20 20WT	FUSED IGNITION SWITCH OUTPUT (RUN)

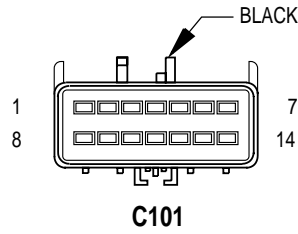


BRAKE WARNING INDICATOR SWITCH

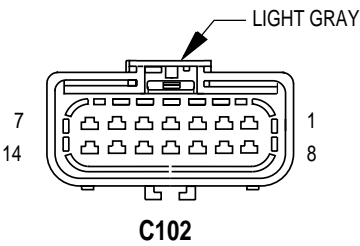
CAV	CIRCUIT	FUNCTION
A	G9 18GY/BK	RED BRAKE WARNING INDICATOR DRIVER
B	Z1 18BK	GROUND



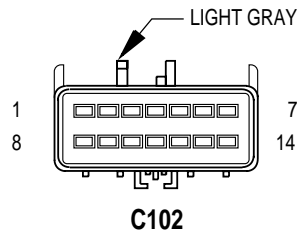
CAV	CIRCUIT
1	A142 18DG/OR
2	K4 20BK/LB
3	K6 18VT/WT
4	K7 20OR
5	K22 20OR/DB
6	K90 20TN
7	K119 18LG/BK ■
8	K141 20TN/WT
9	-
10	-
11	-
12	-
13	-
14	-



CAV	CIRCUIT
1	A142 18DG/OR
2	K4 18BK/LB
3	K6 18VT/WT
4	K7 20OR
5	K22 20OR/DB
6	K90 20TN
7	K119 20LG/BK
8	K141 20TN/WT ◇◇
9	-
10	-
11	-
12	-
13	-
14	-

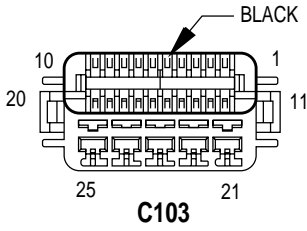


CAV	CIRCUIT
1	C20 20BR/OR
2	F12 18DB/WT
3	G7 20WT/OR
4	T40 14BR
5	V32 20YL/RD ▽
6	Z1 18BK
7	Z12 18BK/TN
8	-
9	-
10	-
11	-
12	-
13	-
14	-

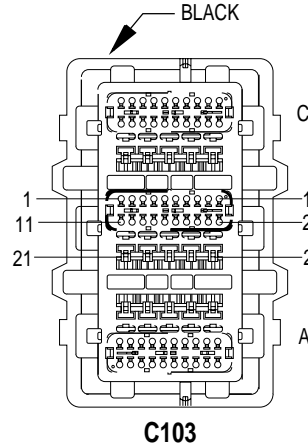


CAV	CIRCUIT
1	C20 18BR/OR
2	F12 18DB/WT
3	G7 20WT/OR
4	T40 14BR
5	V32 20YL/RD
6	Z1 18BK ◇◇
7	Z12 18BK/TN
8	-
9	-
10	-
11	-
12	-
13	-
14	-

- MTX
- ◇◇ 2.0L
- ▽ SPEED CONTROL

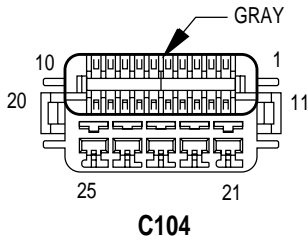


CAV	CIRCUIT
1	B27 18RD/YL ▽▽
2	G70 18BR/TN
3	L160 18TN/RD
4	L60 20TN ▲▲
5	M1 20PK
6	A15 18WT
7	-
8	-
9	-
10	-
11	-
12	-
13	L13 18BR/YL ▲▲
14	-
15	K29 20WT/PK
16	-
17	-
18	-
19	-
20	-
21	L44 16VT/RD
22	L3 16RD/OR
	L3 16RD/OR
23	A41 14YL
	A1 14RD
24	A1 14RD
	L43 16VT
25	L43 16VT

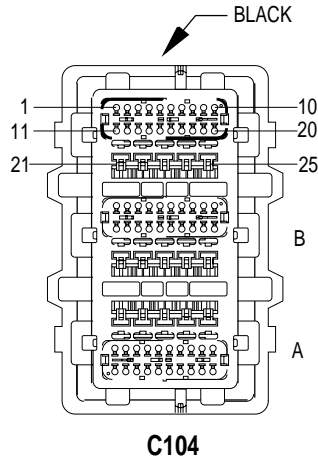


CAV	CIRCUIT
B1	B27 20RD/YL ▽▽
B2	G70 20BR/TN
B3	L160 18TN/RD
B4	L60 20TN ▲▲
B5	M1 20PK
B6	A15 20WT
B7	-
B8	-
B9	-
B10	-
B11	-
B12	-
B13	L13 20BR/YL ▲▲
B14	-
B15	K29 20WT/BK
B16	-
B17	-
B18	-
B19	-
B20	-
B21	L44 14VT/RD
B22	L3 14RD/OR
B23	A41 14YL
B24	A1 14RD
B25	L43 14VT

▲▲ BUILT-UP-EXPORT
 ▽▽ ABS

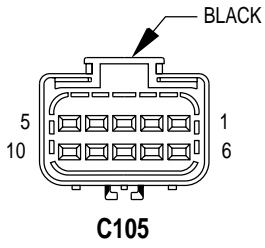


CAV	CIRCUIT
1	L39 18LB ▽▽▽
2	-
3	C21 20DB/OR
4	L61 20LG ▲▲
5	L161 18LG/OR
6	V10 18BR
7	F1 16DB
8	X3 20BK/RD
9	-
10	-
11	F12 18DB/WT
12	-
13	L50 20WT/TN
14	F61 16WT/OR ▲▲
15	V37 20RD/LG ▽
16	-
17	-
18	F20 18WT ▲
18	F20 20WT ▲▲▲
19	X5 20WT/RD **
20	D25 20VT/YL
21	-
22	A2 12PK/BK
23	A3 12RD/WT
24	A4 12BK/RD
25	-

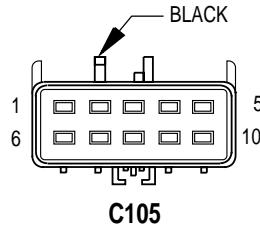


CAV	CIRCUIT
C1	L39 16LB ●● ▽▽▽
C1	L39 20LB ● ▽▽▽
C2	-
C3	C21 22DB/OR
C4	L61 20LG ▲▲
C5	L161 18LG/OR
C6	V10 18BR
C7	F1 16DB
C8	X3 22BK/RD
C9	-
C10	-
C11	F12 18DB/WT
C12	-
C13	L50 20WT/TN
C14	F61 16WT/OR ▲▲
C15	V37 20RD/LG ▽
C16	-
C17	-
C18	F20 20WT
C19	X5 22WT/RD ▲▲
C20	D25 22VT/YL
C21	-
C22	A2 12PK/BK
C23	A3 12RD/WT
C24	A4 12BK/RD
C25	-

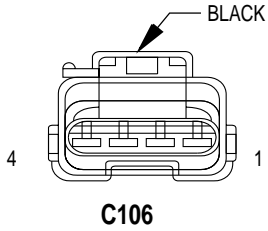
- LHD
- ▲ EXCEPT MTX BUILT-UP-EXPORT
- ▲▲ BUILT-UP-EXPORT
- RHD
- ** SIREN
- ▽ SPEED CONTROL
- ▽▽ FRONT FOG LAMPS
- ▲▲▲ MTX BUILT-UP-EXPORT



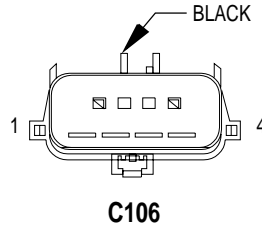
CAV	CIRCUIT
1	-
2	A141 18DG/WT
3	K106 18WT/DG *
4	K107 18YL *
5	-
6	L1 18VT/BK
7	L7 18BK/YL
8	-
9	-
10	M1 20PK



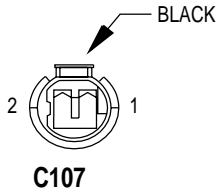
CAV	CIRCUIT
1	-
2	A141 18DG/WT
3	K106 18WT/DG *
4	K107 18YL *
5	-
6	L1 18VT/BK
7	L7 20BK/YL L7 20BK/YL
8	-
9	-
10	M1 20PK



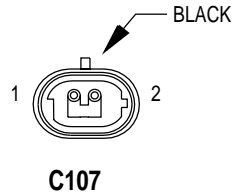
CAV	CIRCUIT
1	B1 20YL/DB
2	B2 20YL
3	B3 20LG/DB
4	B4 20LG



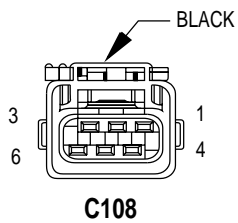
CAV	CIRCUIT
1	B1 18YL/DB
2	B2 18YL
3	B3 18LG/DB
4	B4 18LG



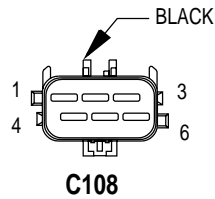
CAV	CIRCUIT
1	M1 20WT
2	Z1 20BK



CAV	CIRCUIT
1	M1 20PK
2	Z1 20BK

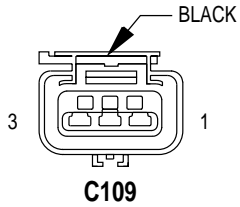


CAV	CIRCUIT
1	F12 18DB/WT
2	F20 18WT
3	K54 18OR/BK ●●
4	L1 18VT/BK
5	T41 18BR/YL
6	-

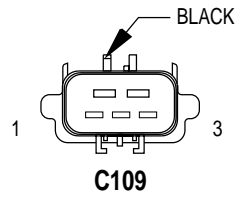


CAV	CIRCUIT
1	F12 18DB/WT
2	F20 18WT
3	K54 18OR/BK ●●
4	L1 18VT/BK
5	T41 18BR/YL
6	-

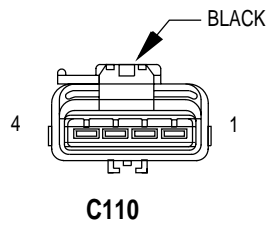
●● ATX
*LEAK DETECTION



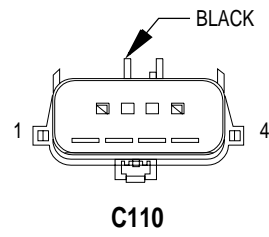
CAV	CIRCUIT
1	L39 18LB ▽▽
2	X2 18DG/RD **
3	Z1 18BK



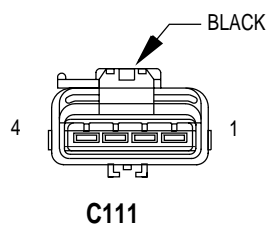
CAV	CIRCUIT
1	L39 18LB ▽▽
2	X2 18DG/RD **
3	Z1 18BK



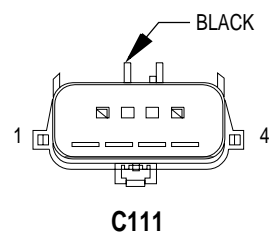
CAV	CIRCUIT
1	L7 18BK/YL
2	Z1 18BK
3	L13 18BR/YL
4	L43 18VT



CAV	CIRCUIT
1	L7 18YL
2	Z1 20BK
3	L13 18DG
4	L43 18BR

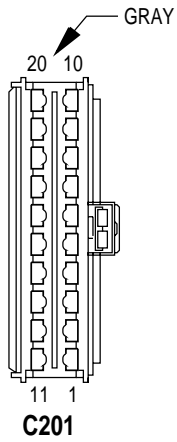


CAV	CIRCUIT
1	L7 18BK/YL
2	Z1 18BK
3	L13 18BR/YL
4	L43 18VT

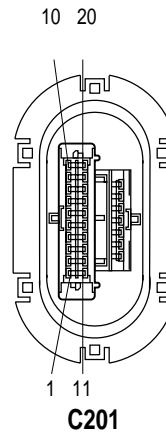


CAV	CIRCUIT
1	L7 18YL
2	Z1 20BK
3	L13 18DG
4	L43 18BR

▽▽ FRONT FOG LAMPS
 ** DUAL HORNS CHRYSLER

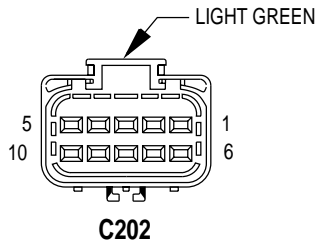


CAV	CIRCUIT	
1	C16 20LB/YL	♦♦
2	F21 14TN	♦♦
3	Z14 20BK/YL	♦♦
4	Q16 14BR/WT	♦♦
5	Q26 14VT/WT	♦♦
6	P33 18OR/BK	♦
7	P36 18PK/VT	♦
	P36 18PK/VT	♦
8	-	
9	P96 20LG/BK	♦
10	P93 20YL/WT	♦♦♦
10	P94 20WT/YL	♦♦♦
11	F20 20WT	♦♦
12	P95 20DB/WT	♦♦♦
12	P91 20WT/BK	♦♦♦
13	P92 20YL	♦♦
14	-	
15	X54 20VT	•
	X54 20VT	•
15	X53 20DG	♦♦
	X53 20DG	♦♦
16	X56 20DB/RD	•
	X56 20DB/RD	•
16	X55 20BR/RD	♦♦
	X55 20BR/RD	♦♦
17	P159 18DG	♦♦
18	P160 18LB	♦♦
19	-	
20	-	

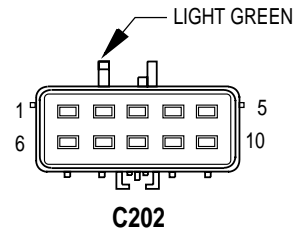


CAV	CIRCUIT	
1	C16 20LB/YL	♦♦
2	F21 14TN	♦♦
3	Z14 18BK/YL	♦♦
	Z14 18BK/YL	♦♦
4	Q16 14BR/WT	♦♦
5	Q26 14VT/WT	♦♦
6	P33 18OR/BK	♦
7	P36 18PK/VT	♦
8	-	
9	P96 18LG	♦
10	P93 20YL/WT	♦♦♦
10	P94 20WT/YL	♦♦♦
11	F20 20WT	♦♦
12	P95 20DB/WT	♦♦♦
12	P91 20WT/BK	♦♦♦
13	P92 20YL	♦♦
14	-	
15	X54 20VT	•
15	X53 20DG	♦♦
16	X56 20DB/RD	•
16	X55 20BR/RD	♦♦
17	P159 18DG/WT	♦♦♦
18	P160 18LB	♦♦♦
19	-	
20	-	

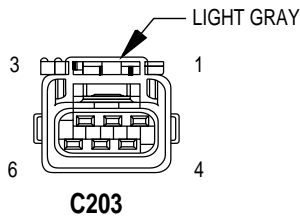
- LHD
- ♦♦ RHD
- ♦ POWER LOCKS
- ♦♦ POWER MIRRORS/WINDOWS



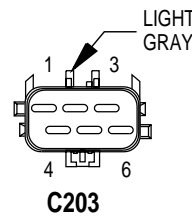
CAV	CIRCUIT
1	V4 16RD/YL
2	V3 16BR/WT
3	V5 16DG/YL
4	V6 16DB
5	Z1 16BK
6	C6 14LB
7	C7 14BK/TN
8	C4 14TN
9	C5 14LG
10	-



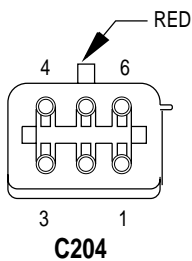
CAV	CIRCUIT
1	V4 16RD/YL
2	V3 16BR/WT
3	V5 16DG/YL
4	V6 16DB
5	Z1 16BK
6	C6 14LB
7	C7 14BK/TN
8	C4 14TN
9	C5 14LG
10	-



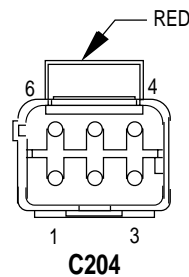
CAV	CIRCUIT
1	C2 22DB/YL
2	F20 20WT
3	C21 22DB/OR
4	C1 14DG
5	-
6	C7 14BK/TN



CAV	CIRCUIT
1	C2 22DB/YL *
2	F20 22WT *
3	C21 22DB/OR *
4	C1 14DG
5	-
6	C7 14BK/TN

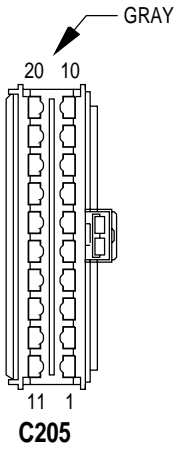


CAV	CIRCUIT
1	M1 18BK/PK
2	M2 18BK/YL
3	Z3 18BK/OR
4	F10 18YL/RD **
5	-
6	-

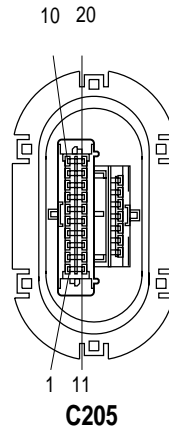


CAV	CIRCUIT
1	M1 20PK
2	M2 18YL
3	Z3 18BK/OR
4	F10 18YL/RD
5	-
6	-

* A/C
 ** POWER SUNROOF

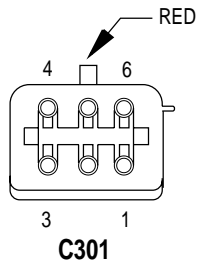


CAV	CIRCUIT	
1	C16 20LB/YL	♦♦
2	F21 14TN	♦♦
3	Z14 20BK/YL	♦♦
4	Q16 14BR/WT	♦♦
5	Q26 14VT/WT	♦♦
6	P33 18OR/BK	♦
7	P34 18PK/BK	♦
8	-	
9	P97 20LG	♦
10	P93 20YL/WT	♦♦
10	P94 20WT/YL	♦♦
11	F20 20WT	♦♦
12	P95 20DB/WT	♦♦
12	P91 20WT/BK	♦♦
13	P92 20YL	♦♦
14	-	
15	X53 20DG	•
	X53 20DG	•
15	X54 20VT	••
	X54 20VT	••
16	X55 20BR/RD	•
	X55 20BR/RD	•
16	X56 20DB/RD	••
	X56 20DB/RD	••
17	P159 18DG	••
18	P160 18LB	••
19	Z8 14BK/VT	
20	L6 20RD/WT	

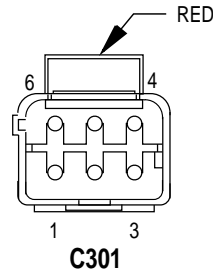


CAV	CIRCUIT	
1	C16 20LB/YL	♦♦
2	F21 14TN	♦♦
3	Z14 18BK/YL	♦
	Z14 18BK/YL	♦♦
4	Q16 14BR/WT	♦♦
5	Q26 14VT/WT	♦♦
6	P33 18OR/BK	♦
7	P34 18PK/BK	♦
8	-	
9	P97 18LG	♦
10	P93 20YL/WT	♦♦
10	P94 20WT/YL	••
11	F20 20WT	♦♦
12	P95 20DB/WT	♦♦
12	P91 20WT/BK	••
13	P92 20YL	♦♦
14	-	
15	X53 20DG	•
15	X54 20VT	••
16	X55 20BR/RD	•
16	X56 20DB/RD	••
17	P159 18DG	••
18	P160 18LB	••
19	Z8 14BK/VT	
20	L6 20RD/WT	♦♦

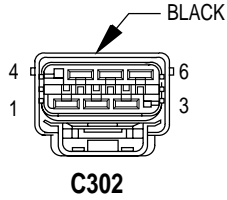
- LHD
- RHD
- ♦ POWER LOCKS
- ♦♦ POWER MIRRORS/WINDOWS



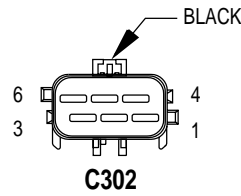
CAV	CIRCUIT
1	M1 20PK
2	-
3	M2 18YL
4	G120 18WT/DB ▲▲
5	-
6	Z1 18BK ▲▲



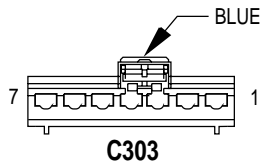
CAV	CIRCUIT
1	M1 20PK
2	-
3	M2 18YL
4	G120 18WT/DB ▲▲
5	-
6	Z1 18BK ▲▲



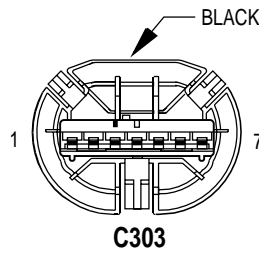
CAV	CIRCUIT
1	L50 20WT/TN
2	Z1 18BK
	Z1 20BK ◆
3	G78 18TN/BK ◆◆
4	G71 20VT/YL ▲
5	-
6	Q2 16LG/BK ▲



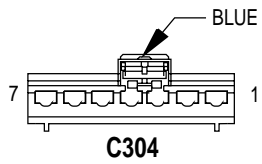
CAV	CIRCUIT
1	L50 20WT/TN
2	Z1 18BK
3	G78 22TN/BK ◆◆
4	G71 20VT/YL ▲
5	-
6	Q2 16LG/BK ▲



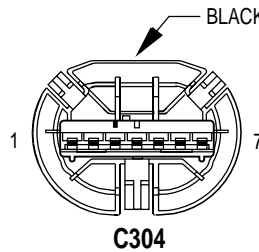
CAV	CIRCUIT
1	-
2	-
3	P33 18OR/BK
4	-
5	P36 18PK/VT
6	-
7	-



CAV	CIRCUIT
1	-
2	-
3	P33 18OR/BK
4	-
5	P36 18PK/VT
6	-
7	-

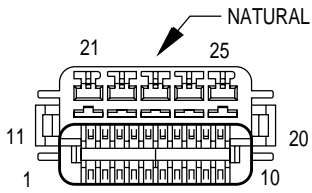


CAV	CIRCUIT
1	-
2	-
3	P33 18OR/BK
4	-
5	P36 18PK/VT
6	-
7	-



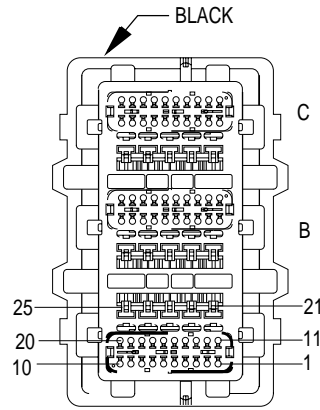
CAV	CIRCUIT
1	-
2	-
3	P33 18OR/BK
4	-
5	P36 18PK/VT
6	-
7	-

- ◆ EXCEPT ELECTRIC RELEASE
- ▲ ELECTRIC RELEASE
- ▲▲ BUILT-UP-EXPORT
- ◆◆ CARGO LAMP



**C305
(BUILT-UP-EXPORT)**

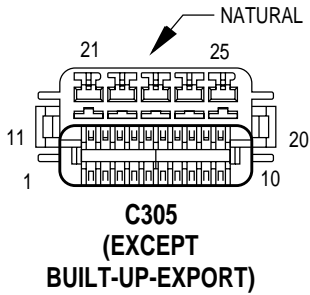
CAV	CIRCUIT
1	L38 16BR/WT
2	G71 20VT/YL ♦
3	G10 20LG/RD
4	L7 20BK/YL
5	L62 18BR/RD
6	L63 18DG/RD
7	X51 18BR/YL
8	X52 18DB/WT
9	L50 20WT/TN
10	-
11	G120 18WT/DB
12	G4 18DB
13	M2 18YL
14	M9 20LB/OR
15	X57 18BR/LB
16	X58 18DB/OR
17	F12 18DB/WT
18	G75 18TN
19	P33 18OR/BK ♦
20	-
21	Q2 16LG/BK ♦
22	-
23	P36 18PK/VT ♦
24	C15 12BK/WT
25	-



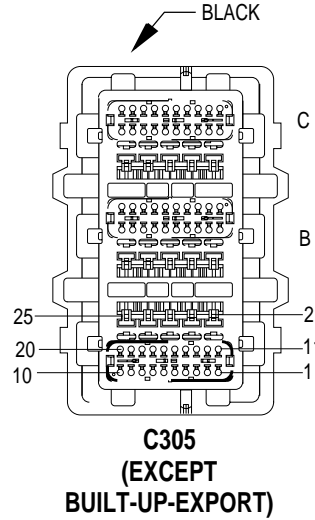
**C305
(BUILT-UP-EXPORT)**

CAV	CIRCUIT
A1	L38 16BR/WT
A2	G71 20VT/YL ▽
A3	G10 20LG/RD
A4	L7 20BK/YL
A5	L62 20BR/RD
A6	L63 20DG/RD
A7	X51 20BR/YL
A8	X52 20DB/WT
A9	L50 20WT/TN
A10	-
A11	G120 18WT/BK ●
A11	G120 18WT/DB ●●
A12	G4 18DB
A13	M2 18YL
A14	M9 20LB/OR
A15	X57 20BR/LB
A16	X58 20DB/OR
A17	F12 18DB/WT
A18	G75 18TN
A19	P33 18OR/BK ▽
A20	-
A21	Q2 16LG/BK ▽
A22	-
A23	P36 18PK/VT ▽
A24	C15 12BK/WT ●
A24	C15 12BK ●●
A25	-

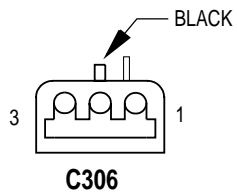
- LHD
- RHD
- ♦ POWER LOCKS
- ▽ RKE



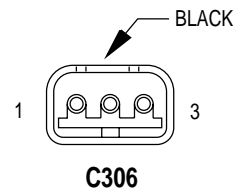
CAV	CIRCUIT
1	
2	G71 20VT/YL
3	G10 20LG/RD
4	L7 20BK/YL
5	L62 18BR/RD
6	L63 18DG/RD
7	X51 18BR/YL
8	X52 18DB/WT
9	L50 20WT/TN
10	-
11	-
12	G4 18DB
13	M2 18YL
14	M9 20LB/OR
15	X57 18BR/LB
16	X58 18DB/OR
17	F12 18DB/WT
18	G75 18TN
19	P33 18OR/BK
20	-
21	Q2 16LG/BK
22	-
23	P36 18PK/VT
24	C15 12BK/WT
25	-



CAV	CIRCUIT
A1	-
A2	G71 20VT/YL ▽
A3	G10 20LG/RD
A4	L7 20BK/YL
A5	L62 20BR/RD
A6	L63 20DG/RD
A7	X51 20BR/YL
A8	X52 20DB/WT
A9	L50 20WT/TN
A10	-
A11	-
A12	G4 18DB
A13	M2 18YL
A14	M9 20DB/OR ▽ ▽
A14	M9 20LB/OR ▽
A15	X57 20BR/LB
A16	X58 20DB/OR
A17	F12 18DB/WT
A18	G75 18TN
A19	P33 18OR/BK ▽
A20	-
A21	Q2 16LG/BK ▽
A22	-
A23	P36 18PK/VT ▽
A24	C15 12BK/WT
A25	-

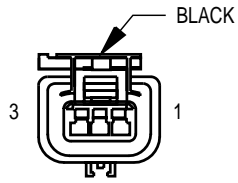


CAV	CIRCUIT
1	F10 18YL/RD
2	-
3	Z3 18BK/OR



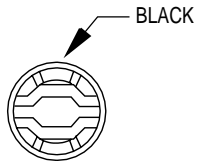
CAV	CIRCUIT
1	F10 18YL/RD
2	-
3	Z3 18BK/OR

▽ RKE
▽ ▽ EXCEPT RKE



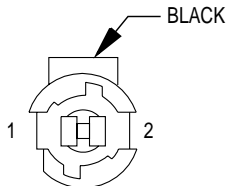
CAMSHAFT POSITION SENSOR

CAV	CIRCUIT	FUNCTION
1	K7 20OR	8V SUPPLY
2	K4 20BK/LB	SENSOR GROUND
3	K44 20TN/YL	CAMSHAFT POSITION SENSOR SIGNAL



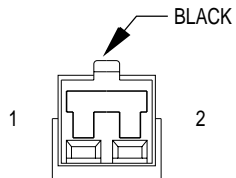
CARGO LAMP

CAV	CIRCUIT	FUNCTION
1	M1 20PK	FUSED B(+)
2	G78 22TN/BK	DECKLID AJAR SWITCH SENSE



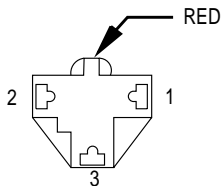
CENTER HIGH MOUNTED STOP LAMP

CAV	CIRCUIT	FUNCTION
1	L50 20WT/TN	BRAKE LAMP SWITCH OUTPUT
2	Z1 20BK	GROUND



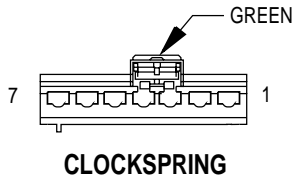
CENTER STACK LAMP

CAV	CIRCUIT	FUNCTION
1	E2 20OR	PANEL LAMPS DRIVER
2	Z3 20BK/OR	GROUND

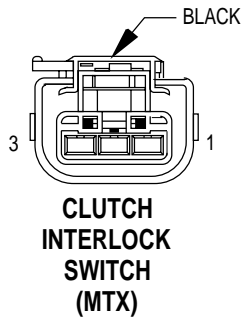


CIGAR LIGHTER/ POWER OUTLET

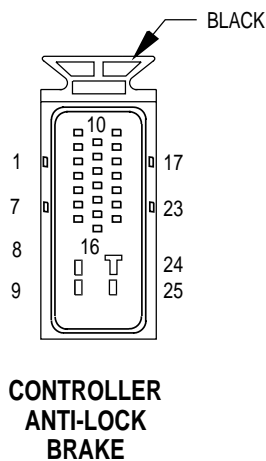
CAV	CIRCUIT	FUNCTION
1	F30 16RD	FUSED IGNITION SWITCH OUTPUT (RUN-ACC)
2	-	-
3	Z1 16BK	GROUND



CAV	CIRCUIT	FUNCTION
1	R43 18BK/LB	DRIVER AIRBAG LINE 2
2	R45 18DG/LB	DRIVER AIRBAG LINE 1
3	-	-
4	-	-
5	X3 22BK/RD	HORN RELAY CONTROL
6	V37 20RD/LG	▼ SPEED CONTROL SWITCH SIGNAL
7	Z10 20BK/TN	▼ GROUND

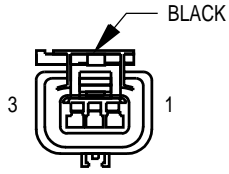


CAV	CIRCUIT	FUNCTION
1	K119 20LG/BK	CLUTCH SWITCH
2	Z1 18BK	GROUND
3	T141 20YL/RD	CLUTCH INTERLOCK SWITCH SENSE



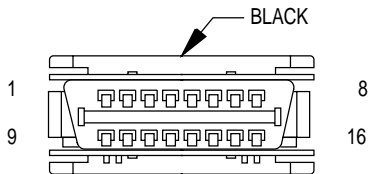
CAV	CIRCUIT	FUNCTION
1	B8 18RD/DB	LEFT FRONT WHEEL SPEED SENSOR (-)
2	B9 18RD	12-VOLT SUPPLY
3	-	-
4	F12 18DB/WT	FUSED IGNITION SWITCH OUTPUT (ST-RUN)
5	B3 18LG/DB	LEFT REAR WHEEL SPEED SENSOR (-)
6	B4 18LG	12-VOLT SUPPLY
7	-	-
8	Z1 12BK	GROUND
9	A20 12RD/DB	FUSED B(+)
10	D25 18VT/YL	PCI BUS
11	-	-
12	-	-
13	-	-
14	-	-
15	B27 18RD/YL	TRACTION CONTROL SWITCH SENSE
16	-	-
17	-	-
18	L50 18WT/TN	BRAKE LAMP SWITCH OUTPUT
19	B6 18WT/DB	RIGHT FRONT WHEEL SPEED SENSOR (-)
20	B7 18WT	12-VOLT SUPPLY
21	-	-
22	B2 18YL	12-VOLT SUPPLY
23	B1 18YL/DB	RIGHT REAR WHEEL SPEED SENSOR (-)
24	Z1 12BK	GROUND
25	A10 12RD/DG	FUSED B(+)

▼ SPEED CONTROL



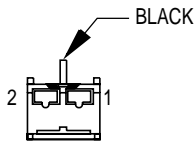
**CRANKSHAFT
POSITION
SENSOR**

CAV	CIRCUIT	FUNCTION
1	K7 20OR	8V SUPPLY
2	K4 20BK/LB	SENSOR GROUND
3	K24 20GY/BK	CRANKSHAFT POSITION SENSOR SIGNAL



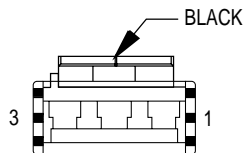
**DATA LINK
CONNECTOR**

CAV	CIRCUIT	FUNCTION
1	-	-
2	D25 20VT/YL	PCI BUS
3	-	-
4	Z12 20BK/TN	GROUND
5	Z12 20BK/TN	GROUND
6	D20 20LG	SCI RECIEVE
7	D21 20PK	SCI TRANSMIT
8	-	-
9	-	-
10	-	-
11	-	-
12	-	-
13	-	-
14	-	-
15	-	-
16	A14 18RD/WT	FUSED B(+)



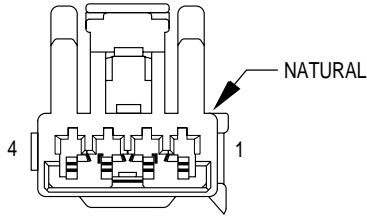
**DECKLID
SOLENOID**

CAV	CIRCUIT	FUNCTION
1	Q2 16LG/BK	DECKLID RELEASE RELAY OUTPUT
2	Z1 18BK	GROUND



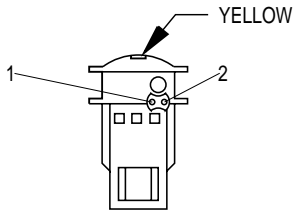
**DOME LAMP
(EXCEPT BUILT-UP-EXPORT)**

CAV	CIRCUIT	FUNCTION
1	-	-
2	M1 20PK	FUSED B(+)
3	M2 18YL	COURTESY LAMP CONROL



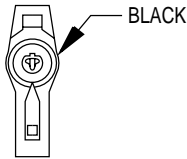
**DOME LAMP/
INTRUSION SENSOR
(BUILT-UP-EXPORT)**

CAV	CIRCUIT	FUNCTION
1	M2 18YL	COURTESY LAMP CONTROL
2	M1 20PK	FUSED B(+)
3	Z1 18BK	GROUND
4	G120 18WT/DB	INTRUSION SENSOR SIGNAL



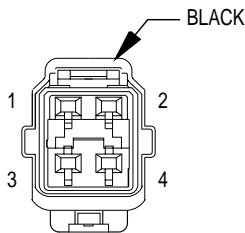
DRIVER AIRBAG

CAV	COLOR	FUNCTION
1	BK	DRIVER AIRBAG LINE 2
2	BK	DRIVER AIRBAG LINE 1



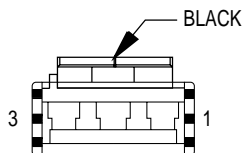
**DRIVER
CYLINDER
LOCK
SWITCH**

CAV	CIRCUIT	FUNCTION
1	P97 18LG	DRIVER DOOR SWITCH MUX
2	Z14 18BK	GROUND



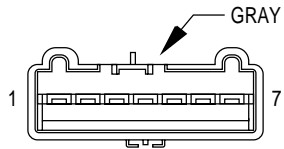
**DRIVER DOOR
LOCK MOTOR**

CAV	CIRCUIT	FUNCTION
1	-	-
2	-	-
3	P34 18PK/BK	DOOR UNLOCK DRIVER
4	P33 18OR/BK	DOOR LOCK DRIVER



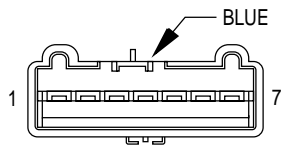
**DRIVER DOOR
LOCK SWITCH**

CAV	CIRCUIT	FUNCTION
1	F20 20WT	FUSED IGNITION SWITCH OUTPUT (RUN)
2	P97 18LG	DRIVER DOOR SWITCH MUX
	P97 18LG	DRIVER DOOR SWITCH MUX
3	Z14 18BK/YL	GROUND
	Z14 18BK	GROUND



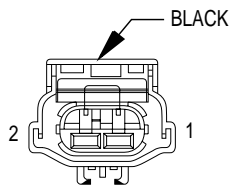
DRIVER POWER MIRROR (LHD)

CAV	CIRCUIT	FUNCTION
1	C16 20LB/YL	HEATED MIRROR
2	P94 20WT/YL	POWER MIRROR HORIZONTAL
3	Z8 20BK/VT	GROUND
4	-	-
5	P91 20WT/BK	POWER MIRROR VERTICAL
6	P92 20YL	POWER MIRROR COMMON
	P92 20YL	POWER MIRROR COMMON
7	-	-



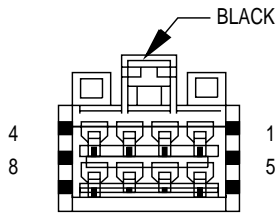
DRIVER POWER MIRROR (RHD)

CAV	CIRCUIT	FUNCTION
1	C16 20LB/YL	HEATED MIRROR
2	P93 20YL/WT	POWER MIRROR HORIZONTAL
3	Z8 20BK/VT	GROUND
4	P159 18DG	POWER MIRROR UNFOLD
	P159 18DG	POWER MIRROR UNFOLD
5	P95 20DB/WT	POWER MIRROR VERTICAL
6	P92 20YL	POWER MIRROR COMMON
	P92 20YL	POWER MIRROR COMMON
7	P160 18LB	POWER MIRROR FOLD
	P160 18LB	POWER MIRROR FOLD



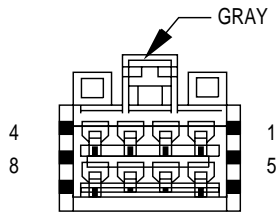
DRIVER POWER WINDOW MOTOR

CAV	CIRCUIT	FUNCTION
1	Q21 14WT/LB	DRIVER WINDOW DRIVER DOWN
2	Q11 14LB	DRIVER WINDOW DRIVER UP



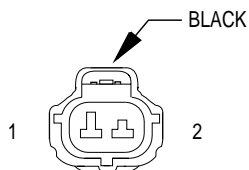
DRIVER POWER WINDOW SWITCH - C1

CAV	CIRCUIT	FUNCTION
1	-	-
2	Z8 14BK/VT	GROUND
3	Z8 14BK/VT	GROUND
4	F21 14TN	FUSED IGNITION SWITCH OUTPUT (RUN)
5	Q21 14WT/LB ●●	DRIVER WINDOW DRIVER DOWN
5	Q11 14LB ●	DRIVER WINDOW DRIVER UP
6	F20 20WT	FUSED IGNITION SWITCH OUTPUT (RUN)
7	Z14 18BK/YL	GROUND
	Z14 18BK/YL	GROUND
8	Q11 14LB ●●	DRIVER WINDOW DRIVER UP
8	Q21 14WT/LB ●	DRIVER WINDOW DRIVER DOWN



DRIVER POWER WINDOW SWITCH - C2

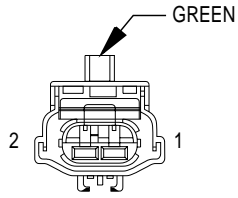
CAV	CIRCUIT	FUNCTION
1	-	-
2	Z8 14BK/VT	GROUND
3	Z8 14BK/VT	GROUND
4	F21 14TN	FUSED IGNITION SWITCH OUTPUT (RUN)
5	Q26 14VT/WT ●●	MASTER WINDOW SWITCH RIGHT FRONT DOWN
5	Q16 14BR/WT ●	MASTER WINDOW SWITCH RIGHT FRONT UP
6	F20 20WT	FUSED IGNITION SWITCH OUTPUT (RUN)
7	Z14 18BK/YL	GROUND
8	Q16 14BR/WT ●●	MASTER WINDOW SWITCH RIGHT FRONT UP
8	Q26 14VT/WT ●	MASTER WINDOW SWITCH RIGHT FRONT DOWN



ENGINE COOLANT TEMPERATURE SENSOR

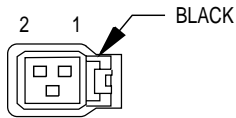
CAV	CIRCUIT	FUNCTION
1	K4 20BK/LB	SENSOR GROUND
2	K2 20TN/BK	ENGINE COOLANT TEMPERATURE SENSOR SIGNAL

● LHD
●● RHD



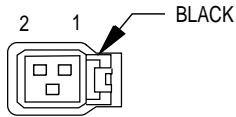
ENGINE OIL PRESSURE SWITCH

CAV	CIRCUIT	FUNCTION
1	G6 20GY	ENGINE OIL PRESSURE SWITCH SENSE
2	-	-



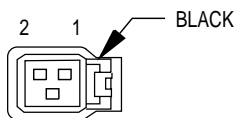
FUEL INJECTOR NO. 1

CAV	CIRCUIT	FUNCTION
1	K11 18WT/DB	FUEL INJECTOR NO. 1 DRIVER
2	A142 18DG/OR	AUTOMATIC SHUT DOWN RELAY OUTPUT



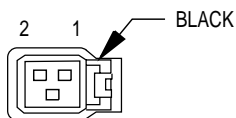
FUEL INJECTOR NO. 2

CAV	CIRCUIT	FUNCTION
1	K12 18TN	FUEL INJECTOR NO. 2 DRIVER
2	A142 18DG/OR	AUTOMATIC SHUT DOWN RELAY OUTPUT



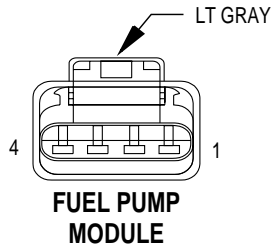
FUEL INJECTOR NO. 3

CAV	CIRCUIT	FUNCTION
1	K13 18YL/WT	FUEL INJECTOR NO. 3 DRIVER
2	A142 18DG/OR	AUTOMATIC SHUT DOWN RELAY OUTPUT

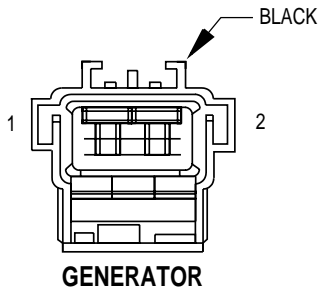


FUEL INJECTOR NO. 4

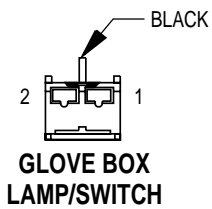
CAV	CIRCUIT	FUNCTION
1	K14 18LB/BR	FUEL INJECTOR NO. 4 DRIVER
2	A142 18DG/OR	AUTOMATIC SHUT DOWN RELAY OUTPUT



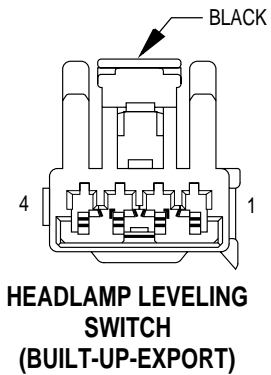
CAV	CIRCUIT	FUNCTION
1	Z1 18BK	GROUND
2	Z2 18BK/LG	GROUND
3	G4 18DB	FUEL LEVEL SENSOR SIGNAL
4	A141 18DG/WT	FUEL PUMP RELAY OUTPUT



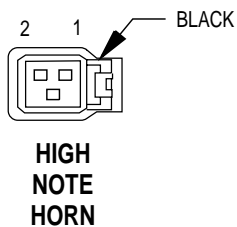
CAV	CIRCUIT	FUNCTION
1	K20 18DG	GENERATOR FIELD DRIVER (+)
2	A142 18DG/OR	AUTOMATIC SHUT DOWN RELAY OUTPUT



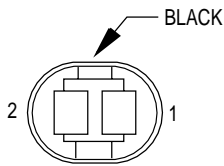
CAV	CIRCUIT	FUNCTION
1	M1 20PK	FUSED B (+)
2	Z3 20BK/OR	GROUND



CAV	CIRCUIT	FUNCTION
1	L13 20BR/YL	HEADLAMP ADJUST SIGNAL
2	L43 18VT	FUSED LEFT LOW BEAM OUTPUT
3	Z1 20BK	GROUND
4	E2 22OR	PANEL LAMPS DRIVER
5	-	-

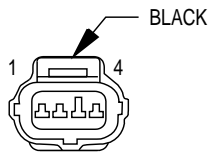


CAV	CIRCUIT	FUNCTION
1	Z1 18BK	GROUND
2	X2 18DG/RD	HORN RELAY OUTPUT



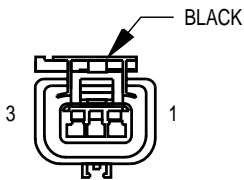
HOOD AJAR SWITCH

CAV	CIRCUIT	FUNCTION
1	G70 18BR/TN	HOOD AJAR SWITCH SENSE
2	Z1 18BK	GROUND



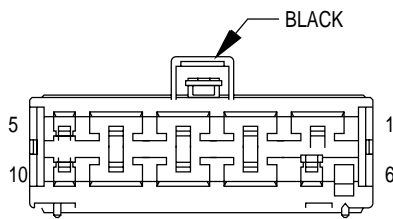
IDLE AIR CONTROL MOTOR

CAV	CIRCUIT	FUNCTION
1	K59 20VT	IDLE AIR CONTROL NO. 4 DRIVER
2	K40 20BR/WT	IDLE AIR CONTROL NO. 3 DRIVER
3	K60 20YL/BK	IDLE AIR CONTROL NO. 2 DRIVER
4	K39 20GY/RD	IDLE AIR CONTROL NO. 1 DRIVER



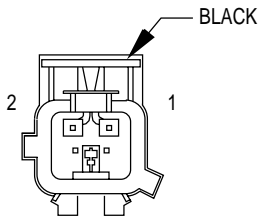
IGNITION COIL

CAV	CIRCUIT	FUNCTION
1	K17 18DB/TN	IGNITION COIL NO. 2 DRIVER
2	A142 18DG/OR	AUTOMATIC SHUT DOWN RELAY OUTPUT
3	K19 18BK/GY	IGNITION COIL NO. 1 DRIVER



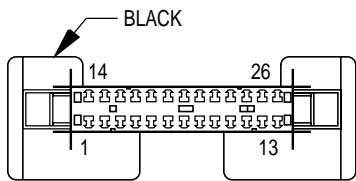
IGNITION SWITCH

CAV	CIRCUIT	FUNCTION
1	A1 14RD	FUSED B(+)
2	A21 14DB	IGNITION SWITCH OUTPUT (ST-RUN)
3	F30 16RD	IGNITION SWITCH OUTPUT (RUN-ACC)
4	F1 16DB	FUSED B(+)
5	G26 22LB	KEY-IN IGNITION SWITCH SENSE
6	A41 14YL	IGNITION SWITCH OUTPUT (START)
7	A31 14BK/WT	IGNITION SWITCH OUTPUT (RUN-ACC)
8	A22 12BK/OR	IGNITION SWITCH OUTPUT (RUN)
9	A2 12PK/BK	FUSED B(+)
10	-	-



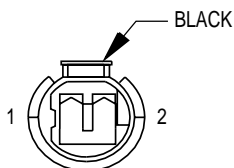
INLET AIR TEMPERATURE SENSOR

CAV	CIRCUIT	FUNCTION
1	G31 20VT/LG	INLET AIR TEMPERATURE SENSOR SIGNAL
2	K4 20BK/LB	SENSOR GROUND



INSTRUMENT CLUSTER

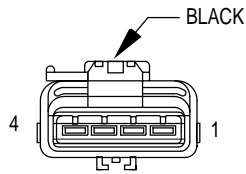
CAV	CIRCUIT	FUNCTION
1	L38 16BR/WT ▲▲	REAR FOG LAMP FEED
2	D25 22VT/YL	PCI BUS
3	M2 18YL	COURTESY LAMP CONTROL
4	L39 20LB ●▼▼	FOG LAMP SWITCH OUTPUT
4	L39 16LB ●●▼▼	FOG LAMP SWITCH OUTPUT
5	G69 20BK/OR ◆◆	VTSS INDICATOR DRIVER
6	E19 22RD	PANEL LAMPS DIMMER SIGNAL
7	G4 18DB	FUEL LEVEL SENSOR SIGNAL
8	-	-
9	-	-
10	Z3 16BK/OR	GROUND
11	-	-
12	E2 22OR	PANEL LAMPS DRIVER
13	M9 20DB/OR ■◆◆	PASSENGER DOOR AJAR/ RKE SENSOR
13	M9 20LB/OR ▼	PASSENGER DOOR AJAR/ RKE SENSOR
14	L7 20BK/YL	HEADLAMP SWITCH OUTPUT
15	G5 20DB/WT	FUSED IGNITION SWITCH OUTPUT (ST-RUN)
16	L161 18LG/OR	LEFT TURN SIGNAL
17	L160 18TN/RD	RIGHT TURN SIGNAL
18	L61 20LG	LEFT TURN SIGNAL
19	L60 20TN	RIGHT TURN SIGNAL
20	L4 16VT/WT ▲	DIMMER SWITCH LOW BEAM OUTPUT
21	M1 20PK	FUSED B(+)
22	G9 18GY/BK	RED BRAKE WARNING INDICATOR DRIVER
23	G26 22LB	KEY-IN IGNITION SWITCH SENSE
24	G75 18TN	DRIVER DOOR AJAR SWITCH SENSE
25	G10 20LG/RD	SEAT BELT SWITCH SENSE
26	L3 16RD/OR	DIMMER SWITCH HIGH BEAM OUTPUT



KNOCK SENSOR

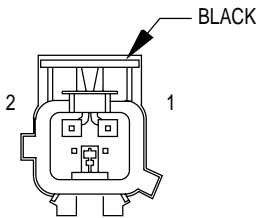
CAV	CIRCUIT	FUNCTION
1	K42 20DB/LG	KNOCK SENSOR SIGNAL
2	K4 20BK/LB	SENSOR GROUND

- LHD
- RHD
- ▼ BUILT-UP-EXPORT EXCEPT RKE
- ▼▼ FRONT FOG LAMPS
- ◆◆ RKE
- ▲ EXCEPT LHD BUILT-UP-EXPORT
- ▲▲ BUILT-UP-EXPORT
- EXCEPT BUILT-UP-EXPORT EXCEPT RKE



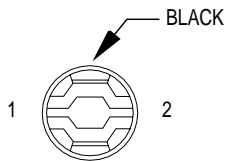
**LEAK DETECTION PUMP
(EXCEPT BUILT-UP-EXPORT)**

CAV	CIRCUIT	FUNCTION
1	-	-
2	F12 18DB/WT	FUSED IGNITION SWITCH OUTPUT (ST-RUN)
3	K106 18WT/DG	LEAK DETECTION PUMP SOLENOID CONTROL
4	K107 18YL	LEAK DETECTION PUMP SWITCH SENSE



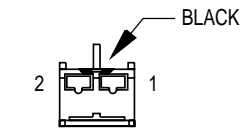
**LEFT BACK-UP
LAMP**

CAV	CIRCUIT	FUNCTION
1	Z1 18BK	GROUND
2	L1 18VT/BK	BACK-UP LAMP FEED



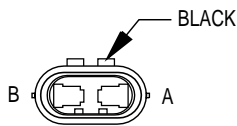
**LEFT CITY
LAMP
(BUILT-UP-EXPORT)**

CAV	CIRCUIT	FUNCTION
1	L7 18YL	HEADLAMP SWITCH OUTPUT
2	Z1 18BK	GROUND



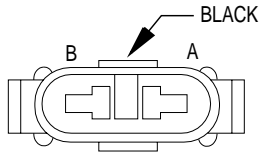
**LEFT FRONT
DOOR SPEAKER**

CAV	CIRCUIT	FUNCTION
1	X53 20DG	LEFT FRONT SPEAKER (+)
2	X55 20BR/RD	LEFT FRONT SPEAKER (-)



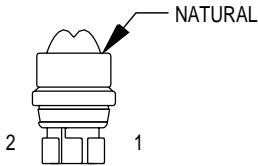
**LEFT FRONT
FOG LAMP
(CHRYSLER)**

CAV	CIRCUIT	FUNCTION
A	L39 18LB	FUSED FOG LAMP SWITCH OUTPUT
B	Z1 18BK	GROUND



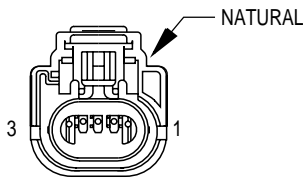
LEFT FRONT FOG LAMP (EXCEPT CHRYSLER)

CAV	CIRCUIT	FUNCTION
A	L39 18LB	FUSED FOG LAMP SWITCH OUTPUT
B	Z1 18BK	GROUND



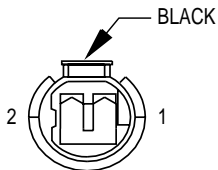
LEFT FRONT SIDE MARKER LAMP (EXCEPT BUILT-UP-EXPORT)

CAV	CIRCUIT	FUNCTION
1	Z1 20BK	GROUND
2	L7 20BK/YL	HEADLAMP SWITCH OUTPUT



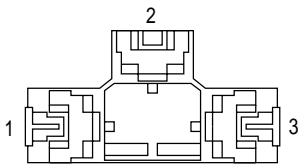
LEFT FRONT TURN SIGNAL LAMP (BUILT-UP-EXPORT)

CAV	CIRCUIT	FUNCTION
1	L161 18LG/OR	LEFT TURN SIGNAL
2	L250 18WT	DUMMY CIRCUIT PLUG
3	Z1 18BK	GROUND



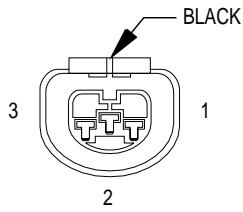
LEFT FRONT WHEEL SPEED SENSOR

CAV	CIRCUIT	FUNCTION
1	B9 18RD	12-VOLT SUPPLY
2	B8 18RD/DB	LEFT FRONT WHEEL SPEED SENSOR (-)



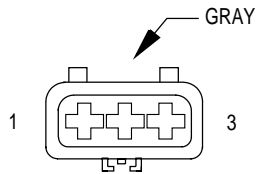
LEFT HEADLAMP (BUILT-UP-EXPORT)

CAV	CIRCUIT	FUNCTION
1	L3 16RD/OR	DIMMER SWITCH HIGH BEAM OUTPUT
2	L43 14VT	FUSED LEFT LOW BEAM OUTPUT
3	Z1 14BK	GROUND



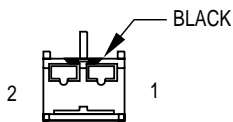
**LEFT HEADLAMP
(EXCEPT BUILT-UP-EXPORT)**

CAV	CIRCUIT	FUNCTION
1	L43 12VT	FUSED LEFT LOW BEAM OUTPUT
2	Z1 14BK	GROUND
3	L3 16RD/OR	DIMMER SWITCH HIGH BEAM OUTPUT



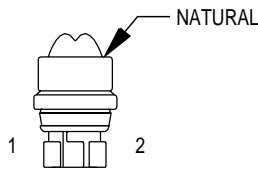
**LEFT HEADLAMP
LEVELING MOTOR
(BUILT-UP-EXPORT)**

CAV	CIRCUIT	FUNCTION
1	L43 18BR	FUSED LEFT LOW BEAM OUTPUT
2	L13 18DG	HEADLAMP ADJUST SIGNAL
3	Z1 18BK	GROUND
	Z1 20BK	GROUND



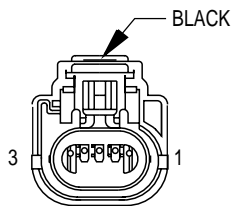
**LEFT INSTRUMENT
PANEL SPEAKER**

CAV	CIRCUIT	FUNCTION
1	X53 20DG	LEFT FRONT SPEAKER (+)
2	X55 20BR/RD	LEFT FRONT SPEAKER (-)



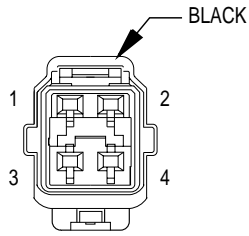
**LEFT LICENSE
LAMP
(BUILT-UP-EXPORT)**

CAV	CIRCUIT	FUNCTION
1	Z1 18BK	GROUND
2	L7 18BK/YL	HEADLAMP SWITCH OUTPUT



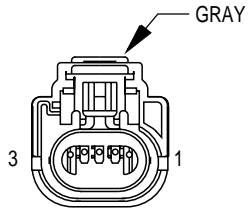
**LEFT PARK/TURN
SIGNAL LAMP
(EXCEPT BUILT-UP-EXPORT)**

CAV	CIRCUIT	FUNCTION
1	Z1 18BK	GROUND
2	L7 18BK/YL	HEADLAMP SWITCH OUTPUT
3	L161 18LG/OR	LEFT TURN SIGNAL



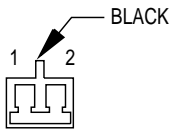
**LEFT REAR
DOOR LOCK
MOTOR**

CAV	CIRCUIT	FUNCTION
1	-	-
2	-	-
3	P36 18PK/VT	DOOR UNLOCK DRIVER
4	P33 18OR/BK	DOOR LOCK DRIVER



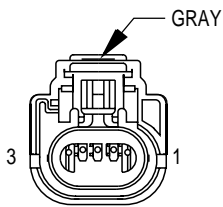
**LEFT REAR
FOG LAMP
(BUILT-UP-EXPORT)**

CAV	CIRCUIT	FUNCTION
1	Z1 16BK	GROUND
2	L250 18YL	DUMMY CIRCUIT PLUG
3	L38 16BR/WT	REAR FOG LAMP FEED



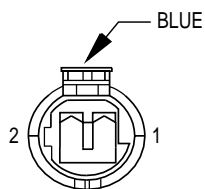
**LEFT REAR
SPEAKER**

CAV	CIRCUIT	FUNCTION
1	X57 18BR/LB	LEFT REAR SPEAKER (-)
2	X51 18BR/YL	LEFT REAR SPEAKER (+)



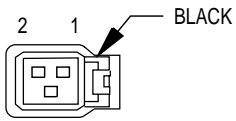
**LEFT REAR TURN
SIGNAL LAMP
(BUILT-UP-EXPORT)**

CAV	CIRCUIT	FUNCTION
1	Z1 18BK	GROUND
2	-	-
3	L63 18DG/RD	LEFT TURN SIGNAL



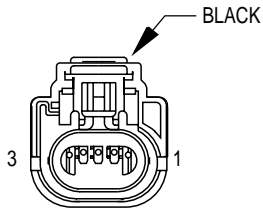
**LEFT REAR
WHEEL SPEED
SENSOR**

CAV	CIRCUIT	FUNCTION
1	B4 20LG	12-VOLT SUPPLY
2	B3 20LG/DB	LEFT REAR WHEEL SPEED SENSOR (-)



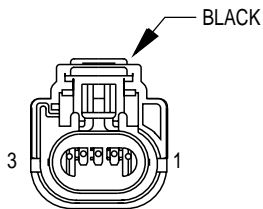
**LEFT REPEATER LAMP
(BUILT-UP-EXPORT)**

CAV	CIRCUIT	FUNCTION
1	L61 20LG	LEFT TURN SIGNAL
2	Z1 20BK	GROUND



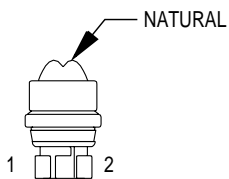
**LEFT TAIL/STOP LAMP
(BUILT-UP-EXPORT)**

CAV	CIRCUIT	FUNCTION
1	Z1 18BK	GROUND
2	L7 18BK/YL	HEADLAMP SWITCH OUTPUT
3	L50 18WT/TN	BRAKE LAMP SWITCH OUTPUT



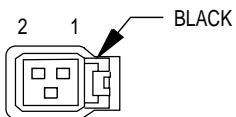
**LEFT TAIL/STOP/TURN SIGNAL LAMP
(EXCEPT BUILT-UP-EXPORT)**

CAV	CIRCUIT	FUNCTION
1	Z1 18BK	GROUND
2	L7 18BK/YL	HEADLAMP SWITCH OUTPUT
3	L63 18DG/RD	LEFT TURN SIGNAL



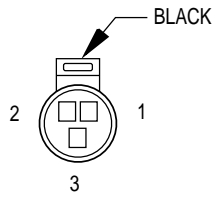
**LICENSE LAMP
(EXCEPT BUILT-UP-EXPORT)**

CAV	CIRCUIT	FUNCTION
1	Z1 18BK	GROUND
2	L7 18BK/YL	HEADLAMP SWITCH OUTPUT



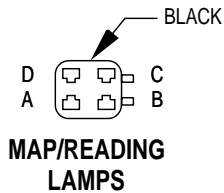
LOW NOTE HORN

CAV	CIRCUIT	FUNCTION
1	Z1 18BK	GROUND
2	X2 18DG/RD	HORN RELAY OUTPUT



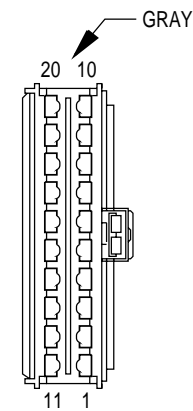
**MANIFOLD
ABSOLUTE
PRESSURE
SENSOR**

CAV	CIRCUIT	FUNCTION
1	K4 18BK/LB	SENSOR GROUND
2	K6 18VT/WT	5V SUPPLY
3	K1 20DG/RD	MAP SENSOR SIGNAL



**MAP/READING
LAMPS**

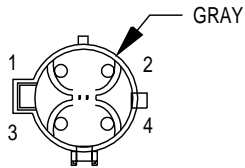
CAV	CIRCUIT	FUNCTION
A	M2 18BK/YL	COURTESY LAMP CONTROL
B	Z3 18BK/OR	GROUND
C	M1 18BK/PK	FUSED B(+)
D	-	-



**MULTI-
FUNCTION
SWITCH**

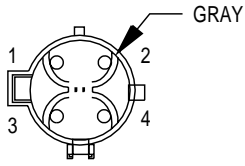
CAV	CIRCUIT	FUNCTION
1	L50 20WT/TN ▲	BRAKE LAMP SWITCH OUTPUT
2	L61 20LG	LEFT TURN SIGNAL
	L61 20LG ▼	LEFT TURN SIGNAL
3	L6 20RD/WT	FUSED IGNITION SWITCH OUTPUT (RUN-ACC)
4	L63 20DG/RD	LEFT TURN SIGNAL
5	L62 20BR/RD	RIGHT TURN SIGNAL
6	L60 20TN	RIGHT TURN SIGNAL
	L60 20TN ▼	RIGHT TURN SIGNAL
7	Z1 20BK	GROUND
8	E19 22RD	PANEL LAMPS DIMMER SIGNAL
9	L7 20BK/YL	HEADLAMP SWITCH OUTPUT
10	-	-
11	A15 20WT	FUSED B(+)
12	L38 16BR/WT ▼	REAR FOG LAMP FEED
	L38 16BR/WT ▼	REAR FOG LAMP FEED
13	L4 14VT/WT ▲	DIMMER SWITCH LOW BEAM OUTPUT
13	F61 14WT/OR ▼	FUSED B(+)
14	L39 16LB ●●	FOG LAMP SWITCH OUTPUT
	L39 16LB ●●	FOG LAMP SWITCH OUTPUT
14	L39 20LB ▲▲	FOG LAMP SWITCH OUTPUT
	L39 20LB ▲▲	FOG LAMP SWITCH OUTPUT
14	F39 14PK/LG ▲	FOG LAMP SWITCH OUTPUT
15	-	-
16	L4 14VT/WT	DIMMER SWITCH LOW BEAM OUTPUT
17	L3 14RD/OR	DIMMER SWITCH HIGH BEAM OUTPUT
18	F3 12LB/OR	FUSED B(+)
19	F3 12LB/OR	FUSED B(+)
20	F33 20PK/RD	FUSED B(+)

- RHD
- ▲ EXCEPT BUILT-UP-EXPORT
- ▲▲ LHD BUILT-UP-EXPORT
- ▼ BUILT-UP-EXPORT



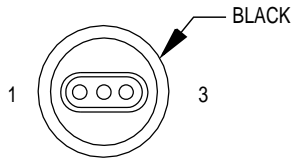
**OXYGEN SENSOR
1/1 UPSTREAM**

CAV	CIRCUIT	FUNCTION
1	A142 18DG/OR	AUTOMATIC SHUT DOWN RELAY OUTPUT
2	K79 18OR/RD	HEATED OXYGEN SENSOR RELAY CONTROL
3	K127 18BK/OR	OXYGEN SENSOR GROUND
4	K41 20BK/DG	OXYGEN SENSOR 1/1 SIGNAL



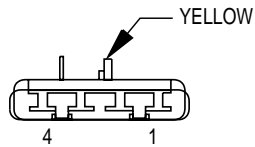
**OXYGEN SENSOR
1/2 DOWNSTREAM
(2.0L)**

CAV	CIRCUIT	FUNCTION
1	A142 18DG/OR	AUTOMATIC SHUT DOWN RELAY OUTPUT
2	Z1 18BK	GROUND
3	K127 18BK/OR	OXYGEN SENSOR GROUND
4	K141 20TN/WT	OXYGEN SENSOR 1/2 SIGNAL



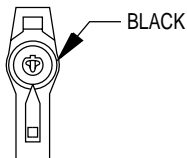
**PARK/NEUTRAL
POSITION SWITCH
(ATX)**

CAV	CIRCUIT	FUNCTION
1	L1 18VT/BK	BACK-UP LAMP FEED
2	T41 18BR/YL	PARK/NEUTRAL POSITION SWITCH SENSE
3	F20 18WT	FUSED IGNITION SWITCH OUTPUT (RUN)



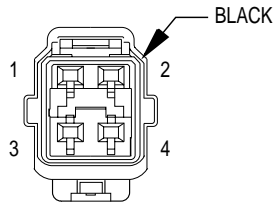
**PASSENGER
AIRBAG**

CAV	CIRCUIT	FUNCTION
1	-	-
2	-	-
3	R44 18DG/YL	PASSENGER AIRBAG LINE 1
4	R42 18BK/YL	PASSENGER AIRBAG LINE 2



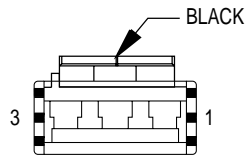
**PASSENGER CYLINDER
LOCK SWITCH**

CAV	CIRCUIT	FUNCTION
1	P96 18LG	PASSENGER DOOR SWITCH MUX
2	Z14 18BK	GROUND



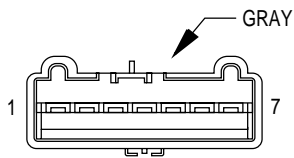
**PASSENGER
DOOR LOCK
MOTOR**

CAV	CIRCUIT	FUNCTION
1	-	-
2	-	-
3	P36 18PK/VT	DOOR UNLOCK DRIVER
4	P33 18OR/BK	DOOR LOCK DRIVER



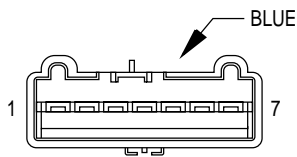
PASSENGER DOOR LOCK SWITCH

CAV	CIRCUIT	FUNCTION
1	F20 20WT	FUSED IGNITION SWITCH OUTPUT (RUN)
2	P96 18LG	PASSENGER DOOR SWITCH MUX
	P96 18LG	PASSENGER DOOR SWITCH MUX
3	Z14 18BK/YL	GROUND
	Z14 18BK	GROUND



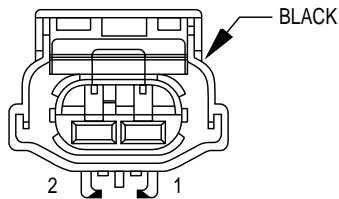
PASSENGER POWER MIRROR (LHD)

CAV	CIRCUIT	FUNCTION
1	C16 20LB/YL	HEATED MIRROR
2	P93 20YL/WT	POWER MIRROR HORIZONTAL
3	Z14 18BK/YL	GROUND
	Z14 18BK/YL	GROUND
4	-	-
5	P95 20DB/WT	POWER MIRROR VERTICAL
6	P92 20YL	POWER MIRROR COMMON
7	-	-



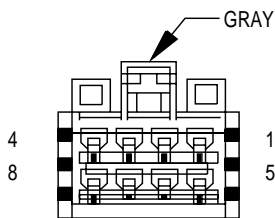
PASSENGER POWER MIRROR (RHD)

CAV	CIRCUIT	FUNCTION
1	C16 20LB/YL	HEATED MIRROR
2	P94 20WT/YL	POWER MIRROR HORIZONTAL
3	Z14 18BK/YL	GROUND
	Z14 18BK/YL	GROUND
4	P159 18DG/WT	POWER MIRROR UNFOLD
5	P91 20WT/BK	POWER MIRROR VERTICAL
6	P92 20YL	POWER MIRROR COMMON
7	P160 18LB	POWER MIRROR FOLD



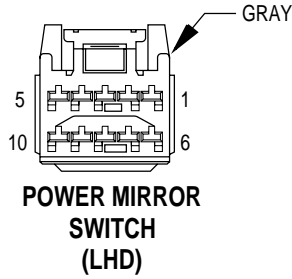
PASSENGER POWER WINDOW MOTOR

CAV	CIRCUIT	FUNCTION
1	Q22 14VT	PASSENGER WINDOW DRIVER (DOWN)
2	Q12 14BR	PASSENGER WINDOW DRIVER (UP)

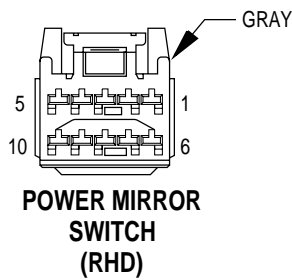


PASSENGER POWER WINDOW SWITCH

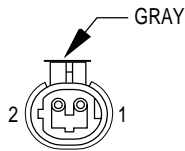
CAV	CIRCUIT	FUNCTION
1	-	-
2	Q26 14VT/WT	MASTER WINDOW SWITCH RIGHT FRONT DOWN
3	Q16 14BR/WT	MASTER WINDOW SWITCH RIGHT FRONT UP
4	F21 14TN	FUSED IGNITION SWITCH OUTPUT (RUN)
5	Q22 14VT	PASSENGER WINDOW DRIVER (DOWN)
6	F20 20WT	FUSED IGNITION SWITCH OUTPUT (RUN)
	F20 20WT	FUSED IGNITION SWITCH OUTPUT (RUN)
7	Z14 18BK/YL	GROUND
8	Q12 14BR	PASSENGER WINDOW DRIVER (UP)



CAV	CIRCUIT	FUNCTION
1	P95 20DB/WT	POWER MIRROR VERTICAL
2	P93 20YL/WT	POWER MIRROR HORIZONTAL
3	F20 20WT	FUSED IGNITION SWITCH OUTPUT (RUN)
4	Z8 20BK/VT	GROUND
5	-	-
6	P91 20WT/BK	POWER MIRROR VERTICAL
7	P94 20WT/YL	POWER MIRROR HORIZONTAL
8	P92 20YL	POWER MIRROR COMMON
9	-	-
10	L6 20RD/WT	FUSED IGNITION SWITCH OUTPUT (RUN-ACC)

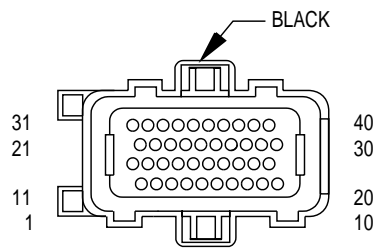


CAV	CIRCUIT	FUNCTION
1	L6 20RD/WT	FUSED IGNITION SWITCH OUTPUT (RUN-ACC)
2	P159 18DG	POWER MIRROR UNFOLD
3	P92 20YL	POWER MIRROR COMMON
4	P94 20WT/YL	POWER MIRROR HORIZONTAL
5	P91 20WT/BK	POWER MIRROR VERTICAL
6	P160 18LB	POWER MIRROR FOLD
7	Z8 20BK/VT	GROUND
8	F20 20WT	FUSED IGNITION SWITCH OUTPUT (RUN)
9	P93 20YL/WT	POWER MIRROR HORIZONTAL
10	P95 20DB/WT	POWER MIRROR VERTICAL



POWER STEERING PRESSURE SWITCH

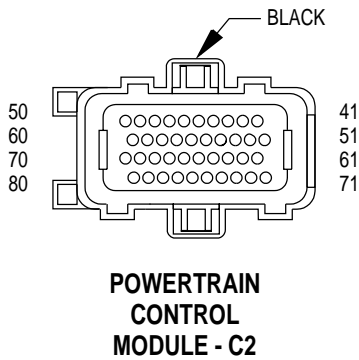
CAV	CIRCUIT	FUNCTION
1	K10 20WT	POWER STEERING PRESSURE SWITCH SENSE
2	Z12 20BK/TN	GROUND



**POWERTRAIN
CONTROL
MODULE - C1**

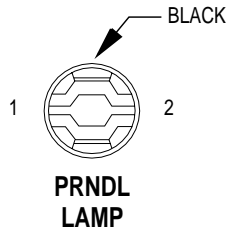
CAV	CIRCUIT	FUNCTION
1	-	-
2	-	-
3	K17 18DB/TN	IGNITION COIL NO. 2 DRIVER
4	-	-
5	V32 20YL/RD ▽	SPEED CONTROL POWER SUPPLY
6	A142 18DG/OR	AUTOMATIC SHUT DOWN RELAY OUTPUT
7	K13 18YL/WT	FUEL INJECTOR NO. 3 DRIVER
8	K20 18DG	GENERATOR FIELD DRIVER (+)
9	-	-
10	Z12 18BK/TN	GROUND
11	K19 18BK/GY	IGNITION COIL NO. 1 DRIVER
12	G6 20GY	ENGINE OIL PRESSURE SWITCH SENSE
13	K11 18WT/DB	FUEL INJECTOR NO. 1 DRIVER
14	-	-
15	-	-
16	K14 18LB/BR	FUEL INJECTOR NO. 4 DRIVER
17	K12 18TN	FUEL INJECTOR NO. 2 DRIVER
18	K79 18OR/RD	HEATED OXYGEN SENSOR RELAY CONTROL
19	-	-
20	F12 18DB/WT	FUSED IGNITION SWITCH OUTPUT (ST-RUN)
21	-	-
22	-	-
23	K119 18LG/BK	CLUTCH SWITCH
24	-	-
25	K42 20DB/LG	KNOCK SENSOR SIGNAL
26	K2 20TN/BK	ENGINE COOLANT TEMPERATURE SENSOR SIGNAL
27	K127 18BK/OR	OXYGEN SENSOR GROUND
28	-	-
29	-	-
30	K41 20BK/DG	OXYGEN SENSOR 1/1 SIGNAL
31	K90 20TN	ENGINE STARTER MOTOR RELAY CONTROL
32	K24 20GY/BK	CRANKSHAFT POSITION SENSOR SIGNAL
33	K44 20TN/YL	CAMSHAFT POSITION SENSOR SIGNAL
34	-	-
35	K22 20OR/DB	THROTTLE POSITION SENSOR SIGNAL
36	K1 20DG/RD	MAP SENSOR SIGNAL
37	-	-
38	C20 18BR/OR	A/C SWITCH SENSE
39	-	-
40	-	-

▽ SPEED CONTROL

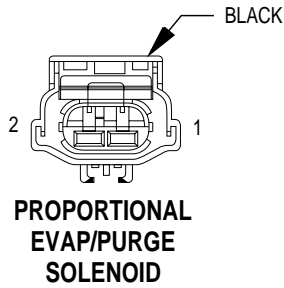


CAV	CIRCUIT	FUNCTION
41	V37 20RD/LG ▽	SPEED CONTROL SWITCH SIGNAL
42	-	-
43	K4 20BK/LB	SENSOR GROUND
44	K7 20OR	8V SUPPLY
45	K10 20WT	POWER STEERING PRESSURE SWITCH SENSE
46	A14 18RD/WT	FUSED B(+)
47	Z11 18BK/WT	GROUND
48	K40 20BR/WT	IDLE AIR CONTROL NO. 3 DRIVER
49	K60 20YL/BK	IDLE AIR CONTROL NO. 2 DRIVER
50	Z12 20BK/TN	GROUND
51	K141 20TN/WT	OXYGEN SENSOR 1/2 SIGNAL
52	G31 20VT/LG	INLET AIR TEMPERATURE SENSOR SIGNAL
53	-	-
54	-	-
55	C27 18DB/PK	RADIATOR FAN RELAY CONTROL
56	V36 20TN/RD ▽	SPEED CONTROL VACUUM SOLENOID CONTROL
57	K39 20GY/RD	IDLE AIR CONTROL NO. 1 DRIVER
58	K59 20VT	IDLE AIR CONTROL NO. 4 DRIVER
59	D25 20VT/YL	PCI BUS
60	-	-
61	K6 18VT/WT	5V SUPPLY
62	K29 20WT/PK	BRAKE LAMP SWITCH SENSE
63	-	-
64	C28 18DB/OR	A/C COMPRESSOR CLUTCH RELAY CONTROL
65	D21 20PK	SCI TRANSMIT
66	G7 20WT/OR	VEHICLE SPEED SENSOR SIGNAL
67	K51 18DB/YL	AUTOMATIC SHUT DOWN RELAY CONTROL
68	K52 20PK/BK	PROPORTIONAL EVAP/PURGE SOLENOID CONTROL
69	-	-
70	K108 20DB	EVAPORATIVE EMISSION SOLENOID SENSE
71	G9 18GY/BK	RED BRAKE WARNING INDICATOR DRIVER
72	K107 18YL ●	LEAK DETECTION PUMP SWITCH SENSE
73	-	-
74	K31 18BR	FUEL PUMP RELAY CONTROL
75	D20 20LG	SCI RECIEVE
76	T141 20YL/RD ■	CLUTCH INTERLOCK SWITCH SENSE
76	T41 18BR/YL ■■	PARK/NEUTRAL POSITION SWITCH SENSE
77	K106 18WT/DG ●	LEAK DETECTION PUMP SOLENOID CONTROL
78	K54 18OR/BK ■■	TORQUE CONVERTOR CLUTCH SOLENOID CONTROL
79	-	-
80	V35 20LG/RD ▽	SPEED CONTROL VENT SOLENOID CONTROL

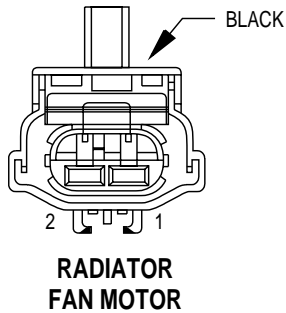
- ▽ SPEED CONTROL
- EXCEPT BUILT-UP-EXPORT
- MTX
- ATX



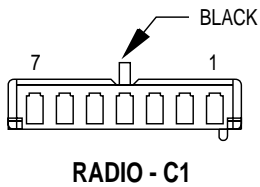
CAV	CIRCUIT	FUNCTION
1	E2 20OR	PANEL LAMPS DRIVER
2	Z3 20BK/OR	GROUND



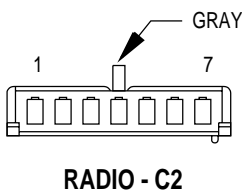
CAV	CIRCUIT	FUNCTION
1	K108 20DB	EVAPORATIVE EMISSION SOLENOID SENSE
2	K52 20PK/BK	PROPORTIONAL EVAP/PURGE SOLENOID CONTROL



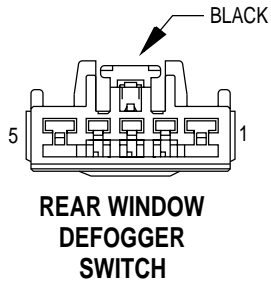
CAV	CIRCUIT	FUNCTION
1	C25 12LG	RADIATOR FAN RELAY OUTPUT
2	Z1 14BK	GROUND



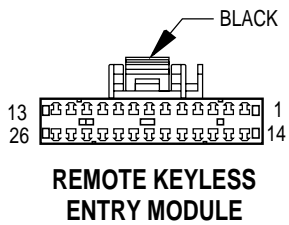
CAV	CIRCUIT	FUNCTION
1	-	-
2	X51 20BR/YL	LEFT REAR SPEAKER (+)
3	X52 20DB/WT	RIGHT REAR SPEAKER (+)
4	X53 20DG	LEFT FRONT SPEAKER (+)
5	X54 20VT	RIGHT FRONT SPEAKER (+)
6	X57 20BR/LB	LEFT REAR SPEAKER (-)
7	X58 20DB/OR	RIGHT REAR SPEAKER (-)



CAV	CIRCUIT	FUNCTION
1	-	-
2	X55 20BR/RD	LEFT FRONT SPEAKER (-)
3	X56 20DB/RD	RIGHT FRONT SPEAKER (-)
4	L7 20BK/YL	HEADLAMP SWITCH OUTPUT
5	E2 20OR	PANEL LAMPS DRIVER
6	X12 18RD/WT	FUSED IGNITION SWITCH OUTPUT (RUN-ACC)
7	M1 20PK	FUSED B(+)

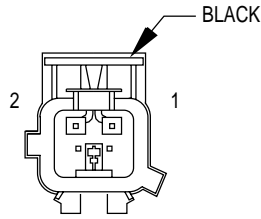


CAV	CIRCUIT	FUNCTION
1	A4 12BK/RD	FUSED B(+)
2	F20 20WT	FUSED IGNITION SWITCH OUTPUT (RUN)
3	Z2 22BK/LG	GROUND
4	E2 20OR	PANEL LAMPS DRIVER
5	C15 12BK/WT ●	RAER WINDOW DEFOGGER RELAY OUTPUT
5	C15 12BK ●●	REAR WINDOW DEFOGGER RELAY OUTPUT



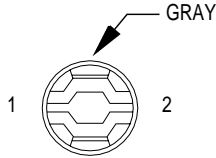
CAV	CIRCUIT	FUNCTION
1	L4 16VT/WT	DIMMER SWITCH LOW BEAM OUTPUT
2	L7 20BK/YL	HEADLAMP SWITCH OUTPUT
3	F35 18RD ●	FUSED B(+)
3	F35 18RD/YL ●●	FUSED B(+)
4	P33 18OR/BK	DOOR LOCK DRIVER
5	P34 18PK/BK	DOOR UNLOCK DRIVER
6	P36 18PK/VT	DOOR UNLOCK DRIVER
7	M9 20DB/OR	PASSENGER DOOR AJAR/ RKE SENSE
8	Z2 22BK/LG	GROUND
9	F9 20RD/BK	FUSED B(+)
10	P97 20LG	DRIVER DOOR SWITCH MUX
11	P96 20LG/BK	PASSENGER DOOR SWITCH MUX
12	Z1 20BK	GROUND
13	X161 20WT ●●	RKE ANTENNA
14	-	-
15	X5 22WT/RD ▲▲	DISPLAY BACKLIGHT
16	Q2 16LG/BK	DECKLID RELEASE RELAY OUTPUT
17	G69 20BK/OR	VTSS INDICATOR DRIVER
18	X3 22BK/RD	HORN RELAY CONTROL
19	D25 20VT/YL	PCI BUS
20	G120 18WT/DB ●▲	INTRUSION SENSOR SIGNAL
20	G120 18WT/BK ▲▲	INTRUSION SENSOR SIGNAL
21	M1 20PK ▲▲	FUSED B(+)
22	G5 20DB/WT	FUSED IGNITION SWITCH OUTPUT (ST-RUN)
23	G70 20BR/TN	HOOD AJAR SWITCH SENSE
24	G71 20VT/YL	DECKLID SECURITY SWITCH SENSE
25	G75 18TN	DRIVER DOOR AJAR SWITCH SENSE
26	X161 20WT ●●	JAPAN ANTENNA

- LHD
- RHD
- ▲▲ BUILT-UP-EXPORT



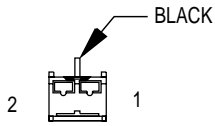
RIGHT BACK-UP LAMP

CAV	CIRCUIT	FUNCTION
1	Z1 18BK	GROUND
2	L1 18VT/BK	BACK-UP LAMP FEED



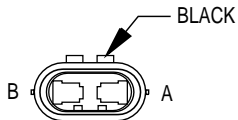
**RIGHT CITY LAMP
(BUILT-UP-EXPORT)**

CAV	CIRCUIT	FUNCTION
1	L7 18YL	HEADLAMP SWITCH OUTPUT
2	Z1 18BK	GROUND



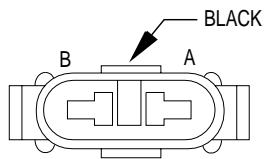
RIGHT FRONT DOOR SPEAKER

CAV	CIRCUIT	FUNCTION
1	X54 20VT	RIGHT FRONT SPEAKER (+)
2	X56 20DB/RD	RIGHT FRONT SPEAKER (-)



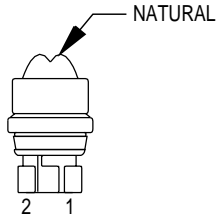
**RIGHT FRONT FOG LAMP
(CHRYSLER)**

CAV	CIRCUIT	FUNCTION
A	L39 18LB	FUSED FOG LAMP SWITCH OUTPUT
B	Z1 18BK	GROUND



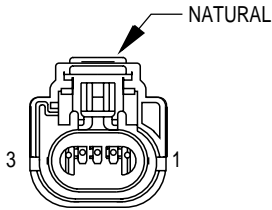
**RIGHT FRONT FOG LAMP
(EXCEPT CHRYSLER)**

CAV	CIRCUIT	FUNCTION
A	L39 18LB	FUSED FOG LAMP SWITCH OUTPUT
B	Z1 18BK	GROUND



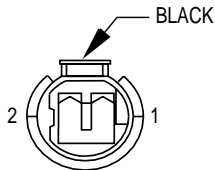
**RIGHT FRONT
SIDE MARKER LAMP
(EXCEPT BUILT-UP-EXPORT)**

CAV	CIRCUIT	FUNCTION
1	Z1 18BK	GROUND
2	L7 20BK/YL	HEADLAMP SWITCH OUTPUT



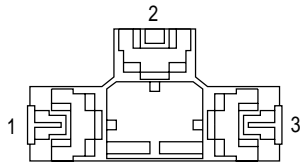
**RIGHT FRONT TURN
SIGNAL LAMP
(BUILT-UP-EXPORT)**

CAV	CIRCUIT	FUNCTION
1	L160 18TN/RD	RIGHT TURN SIGNAL
2	L250 18WT	DUMMY CIRCUIT PLUG
3	Z1 18BK	GROUND



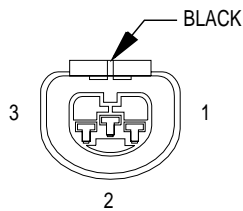
**RIGHT FRONT
WHEEL SPEED SENSOR**

CAV	CIRCUIT	FUNCTION
1	B7 18WT	12-VOLT SUPPLY
2	B6 18WT/DB	RIGHT FRONT WHEEL SPEED SENSOR (-)



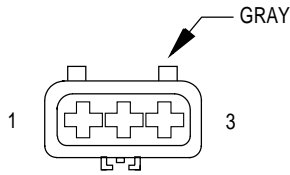
**RIGHT HEADLAMP
(BUILT-UP-EXPORT)**

CAV	CIRCUIT	FUNCTION
1	L3 16RD/OR	DIMMER SWITCH HIGH BEAM OUTPUT
2	L44 14VT/RD	FUSED RIGHT LOW BEAM OUTPUT
3	Z1 14BK	GROUND



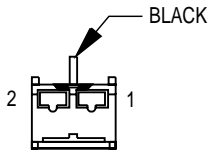
**RIGHT HEADLAMP
(EXCEPT BUILT-UP-EXPORT)**

CAV	CIRCUIT	FUNCTION
1	L44 14VT/RD	FUSED RIGHT LOW BEAM OUTPUT
2	Z1 14BK	GROUND
3	L3 16RD/OR	DIMMER SWITCH HIGH BEAM OUTPUT



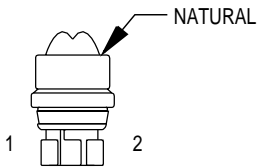
**RIGHT HEADLAMP
LEVELING MOTOR
(BUILT-UP-EXPORT)**

CAV	CIRCUIT	FUNCTION
1	L43 18BR	FUSED LEFT LOW BEAM OUTPUT
2	L13 18DG	HEADLAMPS ADJUST SIGNAL
3	Z1 18BK	GROUND
	Z1 20BK	GROUND



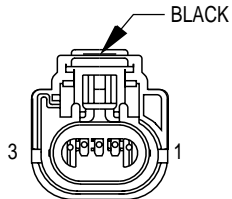
**RIGHT INSTRUMENT
PANEL SPEAKER**

CAV	CIRCUIT	FUNCTION
1	X54 20VT	RIGHT FRONT SPEAKER (+)
2	X56 20DB/RD	RIGHT FRONT SPEAKER (-)



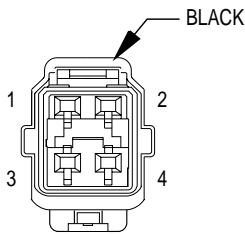
**RIGHT LICENSE
LAMP
(BUILT-UP-EXPORT)**

CAV	CIRCUIT	FUNCTION
1	Z1 18BK	GROUND
2	L7 18BK/YL	HEADLAMP SWITCH OUTPUT



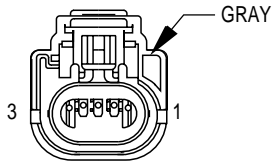
**RIGHT PARK/TURN
SIGNAL LAMP
(EXCEPT BUILT-
UP-EXPORT)**

CAV	CIRCUIT	FUNCTION
1	Z1 18BK	GROUND
2	L7 18BK/YL	HEADLAMP SWITCH OUTPUT
3	L160 18TN/RD	RIGHT TURN SIGNAL



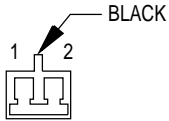
**RIGHT REAR
DOOR LOCK
MOTOR**

CAV	CIRCUIT	FUNCTION
1	-	-
2	-	-
3	P36 18PK/VT	DOOR UNLOCK DRIVER
4	P33 18OR/BK	DOOR LOCK DRIVER



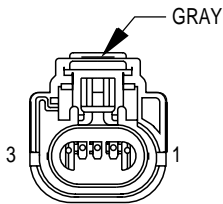
**RIGHT REAR
FOG LAMP
(BUILT-UP-EXPORT)**

CAV	CIRCUIT	FUNCTION
1	Z1 16BK	GROUND
2	L250 18YL	DUMMY CIRCUIT PLUG
3	L38 16BR/WT	REAR FOG LAMP FEED



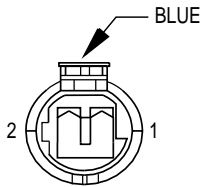
**RIGHT REAR
SPEAKER**

CAV	CIRCUIT	FUNCTION
1	X58 18DB/OR	RIGHT REAR SPEAKER (-)
2	X52 18DB/WT	RIGHT REAR SPEAKER (+)



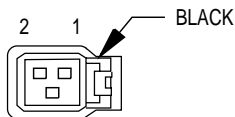
**RIGHT REAR
TURN SIGNAL LAMP
(BUILT-UP-EXPORT)**

CAV	CIRCUIT	FUNCTION
1	Z1 18BK	GROUND
2	-	-
3	L62 18BR/RD	RIGHT TURN SIGNAL



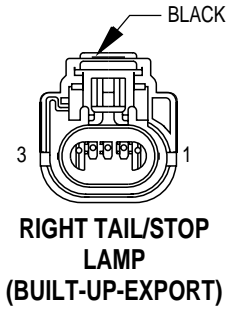
**RIGHT REAR
WHEEL SPEED
SENSOR**

CAV	CIRCUIT	FUNCTION
1	B2 20YL	12-VOLT SUPPLY
2	B1 20YL/DB	RIGHT REAR WHEEL SPEED SENSOR (-)

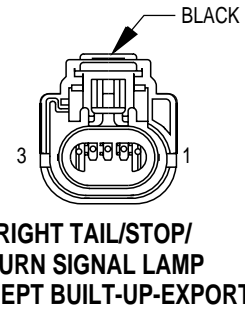


**RIGHT REPEATER
LAMP
(BUILT-UP-EXPORT)**

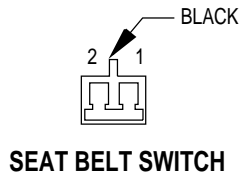
CAV	CIRCUIT	FUNCTION
1	L60 20TN	RIGHT TURN SIGNAL
2	Z1 20BK	GROUND



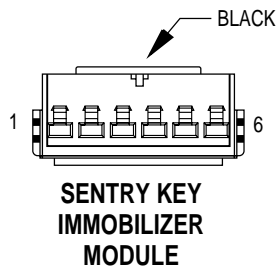
CAV	CIRCUIT	FUNCTION
1	Z1 18BK	GROUND
2	L7 18BK/YL	HEADLAMP SWITCH OUTPUT
3	L50 18WT/TN	BRAKE LAMP SWITCH OUTPUT



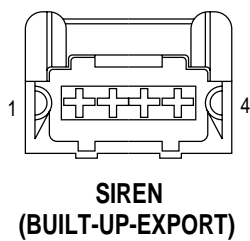
CAV	CIRCUIT	FUNCTION
1	Z1 18BK	GROUND
2	L7 18BK/YL	HEADLAMP SWITCH OUTPUT
3	L62 18BR/RD	RIGHT TURN SIGNAL



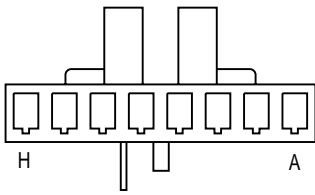
CAV	CIRCUIT	FUNCTION
1	G10 20LG/RD	SEAT BELT SWITCH SENSE
2	Z1 18BK	GROUND



CAV	CIRCUIT	FUNCTION
1	-	-
2	D25 22VT/YL	PCI BUS
3	-	-
4	G5 20DB/WT	FUSED IGNITION SWITCH OUTPUT (ST-RUN)
5	Z2 20BK/LG	GROUND
6	M1 20PK	FUSED B(+)

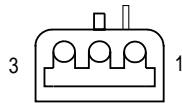


CAV	CIRCUIT	FUNCTION
1	X5 20WT/RD	DISPLAY BACKLIGHT
2	X5 20WT/RD	DISPLAY BACKLIGHT
3	Z1 18BK	GROUND
4	M1 20PK	FUSED B(+)



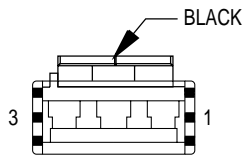
SUNROOF CONTROL MODULE

CAV	CIRCUIT	FUNCTION
A	Q6 18DB	SUNROOF MOTOR B(-)
B	Q5 18WT	SUNROOF MOTOR B(+)
C	Z3 18BK/OR	GROUND
D	-	-
E	F10 18YL/RD	FUSED IGNITION SWITCH OUTPUT (RUN-ACC)
F	Z3 18BK/OR	GROUND
G	Q43 18WT/RD	POWER SUNROOF VENT
H	Q46 18OR	POWER SUNROOF LIMIT SWITCH



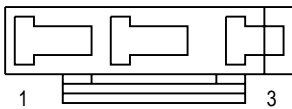
SUNROOF MOTOR

CAV	CIRCUIT	FUNCTION
1	Q6 18DB	SUNROOF MOTOR B(-)
2	-	-
3	Q5 18WT	SUNROOF MOTOR B(+)



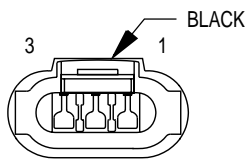
SUNROOF SWITCH

CAV	CIRCUIT	FUNCTION
1	F10 16YL/RD	FUSED IGNITION SWITCH OUTPUT (RUN-ACC)
2	Q43 18WT/RD	POWER SUNROOF VENT
3	Z3 18BK/OR	GROUND



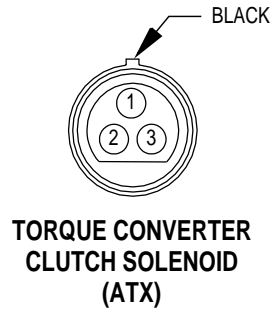
SUNROOF VENT SWITCH

CAV	CIRCUIT	FUNCTION
1	Z3 18BK/OR	GROUND
2	Q46 18OR	POWER SUNROOF LIMIT SWITCH
3	-	-

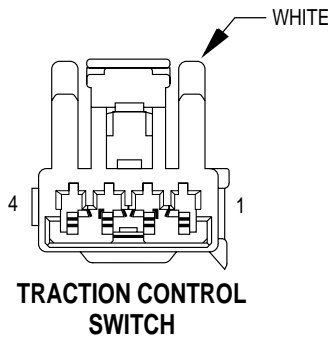


THROTTLE POSITION SENSOR

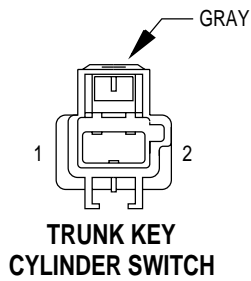
CAV	CIRCUIT	FUNCTION
1	K4 20BK/LB	SENSOR GROUND
2	K22 20OR/DB	THROTTLE POSITION SENSOR SIGNAL
3	K6 18VT/WT	5V SUPPLY



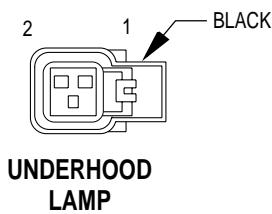
CAV	CIRCUIT	FUNCTION
1	-	-
2	K54 18OR/BK	TORQUE CONVERTER CLUTCH SOLENOID CONTROL
3	F12 18DB/WT	FUSED IGNITION SWITCH OUTPUT (ST-RUN)



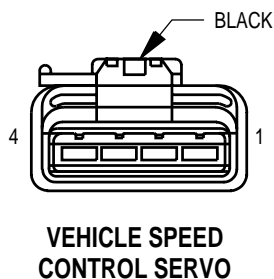
CAV	CIRCUIT	FUNCTION
1	-	-
2	B27 20RD/YL	TRACTION CONTROL SWITCH SENSE
3	Z1 20BK	GROUND
4	E2 22OR	PANEL LAMPS DRIVER



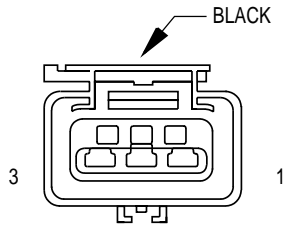
CAV	CIRCUIT	FUNCTION
1	Z1 18BK	GROUND
2	G71 20VT/YL	DECKLID SECURITY SWITCH SENSE



CAV	CIRCUIT	FUNCTION
1	M1 20PK	FUSED B(+)
2	Z1 20BK	GROUND

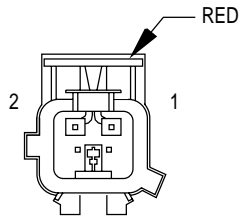


CAV	CIRCUIT	FUNCTION
1	V36 20TN/RD	SPEED CONTROL VACUUM SOLENOID CONTROL
2	V35 20LG/RD	SPEED CONTROL VENT SOLENOID CONTROL
3	V30 20DB/RD	SPEED CONTROL BRAKE LAMP SWITCH OUTPUT
4	Z1 20BK	GROUND



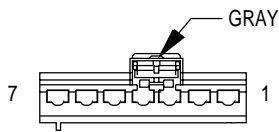
VEHICLE SPEED SENSOR

CAV	CIRCUIT	FUNCTION
1	K7 20OR	8V SUPPLY
2	K4 18BK/LB	SENSOR GROUND
3	G7 20WT/OR	VEHICLE SPEED SENSOR SIGNAL



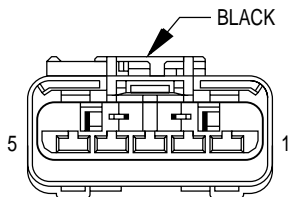
WINDSHIELD WASHER PUMP

CAV	CIRCUIT	FUNCTION
1	Z1 18BK	GROUND
2	V10 18BR	WASHER PUMP CONTROL SWITCH OUTPUT



WIPE/WASH SWITCH

CAV	CIRCUIT	FUNCTION
1	V5 16DG/YL	WIPER PARK SWITCH SENSE
2	Z2 22BK/LG	GROUND
3	V10 18BR	WASHER PUMP CONTROL SWITCH OUTPUT
4	V6 16DB	FUSED IGNITION SWITCH OUTPUT (RUN-ACC)
5	V4 16RD/YL	WIPER HIGH SPEED OUTPUT
6	V3 16BR/WT	WIPER LOW SPEED OUTPUT
7	-	-



WIPER MOTOR

CAV	CIRCUIT	FUNCTION
1	Z1 16BK	GROUND
2	V5 16DG/YL	WIPER PARK SWITCH SENSE
3	V6 16DB	FUSED IGNITION SWITCH OUTPUT (RUN-ACC)
4	V3 16BR/WT	WIPER LOW SPEED OUTPUT
5	V4 16RD/YL	WIPER HIGH SPEED OUTPUT

8W-90 CONNECTOR/GROUND LOCATIONS

DESCRIPTION AND OPERATION

INTRODUCTION

This section provides illustrations identifying component and connector locations in the vehicle. A connector index is provided. Use the wiring diagrams in

each section for connector number identification. Refer to the index for the proper figure number.

CONNECTOR/GROUND LOCATIONS (LHD)

For items not shown in this section a N/S is placed in the Fig. column.

Connector Name/Number	Color	Location	Fig.
A/C Compressor Clutch	BK	Right Front of Engine Compartment	3
A/C Cycling Switch	BK	Right Side of Instrument Panel	N/S
A/C-Heater Blower Motor	BK	Right Side of Instrument Panel	N/S
A/C-Heater Control	GY	Center of Instrument Panel	7
A/C High Pressure Switch	BK	Front Center of Engine Compartment	1, 3
A/C Low Pressure Switch	BK	Right Rear of Engine Compartment	1, 3
Airbag Control Module	YL	Near PRNDL Lamp T/O	6
Back-Up Lamp Switch (MTX)	GY	Left Front of Engine Compartment	2
Blower Motor Resistor Block	BK	T/O Near Grommet and C202	N/S
Brake Lamp Switch	GY	Top of Brake Pedal	2
Brake Shift Interlock Solenoid	WT	Left Side of Instrument Panel	N/S
Brake Warning Indicator Switch	BK	Near Left Front Strut Tower	2
C101	BK	Left Front of Engine Compartment	2, 4

Connector Name/Number	Color	Location	Fig.
C102	LT GY	Left Front of Engine Compartment	2, 4
C103	BK	Left Side of Instrument Panel	2, 6, 8
C104	GY	Left Side of Instrument Panel	2, 6, 8
C105	BK	At Left Kick Panel Area	2, 10
C106	BK	Left Rear of Engine Compartment	2
C107	BK	Near Left Front Strut Tower	2
C108	BK	Left Front of Engine Compartment	2
C109	BK	Right Inner Fender	1
C110	BK	Left Headlamp Opening	2
C111	BK	Right Headlamp Opening	3
C201	GY	Right Side of Instrument Panel	6, 15
C202	LT GN	Right Side of Instrument Panel	6, 7
C203	LT GY	Right Side of Instrument Panel	6, 7

DESCRIPTION AND OPERATION (Continued)

Connector Name/Number	Color	Location	Fig.
C204	RD	Left Side of Instrument Panel	6, 8, 9
C205	GY	Left Side of Instrument Panel	6, 8, 14
C301	RD	Right C-Pillar	11
C302	BK	Inner Left Rear Quarter Panel	11
C303	BL/BK	Left B-Pillar at Rear Door	10, 16
C304	BL/BK	Right B-Pillar at Rear Door	12, 16
C305	NAT	Left Side of Instrument Panel	6, 8, 10
C306	BK	Front Center of Headliner	9
Camshaft Position Sensor	BK	Rear of Engine	N/S
Cargo Lamp	BK	Under Parcel Shelf	11
Center High Mounted Stop Lamp	BK	Rear of Lamp	17
Center Stack Lamp	BK	Center of Instrument Panel	7
Cigar Lighter/Power Outlet	RD	Center of Instrument Panel	7
Clockspring	GN	Rear of Steering Wheel	6
Clutch Interlock Switch (MTX)	BK	Top of Clutch Pedal	2
Controller Anti-Lock Brake	BK	Near Left Strut Tower	2
Crankshaft Position Sensor	BK	Right Front of Engine	N/S
Data Link Connector	BK	At Left Kick Panel Area	2

Connector Name/Number	Color	Location	Fig.
Decklid Solenoid	BK	On Decklid	17
Dome Lamp (Except Built-Up-Export)	BK	At Lamp	N/S
Dome Lamp/Intrusion Sensor (Built-Up-Export)	NAT	At Lamp	N/S
Driver Cylinder Lock Switch	BK	At Drivers Door	14
Driver Door Lock Motor	BK	At Drivers Door	14
Driver Door Lock Switch	BK	At Drivers Door	14
Driver Power Mirror	GY	At Drivers Door	14
Driver Power Window Motor	BK	At Drivers Door	14
Driver Power Window Switch - C1	BK	At Drivers Door	14
Driver Power Window Switch - C2	GY	At Drivers Door	14
Engine Coolant Temperature Sensor	BK	Right Front of Engine	N/S
Engine Oil Pressure Switch	GN	Right Rear of Engine	5
Fuel Injector NO.1	BK	At Injector	4
Fuel Injector NO. 2	BK	At Injector	4
Fuel Injector NO. 3	BK	At injector	4
Fuel Injector NO. 4	BK	At Injector	4
Fuel Pump Module	LT GY	At Fuel Tank	N/S
G101		Left Front of Engine Compartment	N/S

DESCRIPTION AND OPERATION (Continued)

Connector Name/Number	Color	Location	Fig.
G102		Left Front of Engine Compartment	N/S
G103		Right Front of Engine Compartment	3
G104		Near Engine Starter Motor	N/S
G105		Near Negative Battery Terminal	N/S
G201		Lower Center of Instrument Panel	7, 8
G202		Lower Center of Instrument Panel	7, 8
G203		Lower Center of Instrument Panel	7, 8
G204		Lower Center of Instrument Panel	7, 8
G301		Inner Left Rear Quarter Panel	11
G302		Inner Right Rear Quarter Panel	12
G303		Inner Left Rear Quarter Panel	11
G304		At Decklid	17
Generator	BK	Left Rear of Engine	5
Glove Box Lamp/Switch	BK	Rear of Lamp/Switch	6, 7
Headlamp Leveling Switch (Built-Up-Export)	BK	Center of Instrument Panel	7
High Note Horn	BK	Right Inner Fender	1
Hood Ajar Switch	BK	Right Side of Engine Compartment	N/S

Connector Name/Number	Color	Location	Fig.
Idle Air Control Motor	BK	On Throttle Body	2
Ignition Coil	BK	Top of Valve Cover	5
Ignition Switch	BK	Rear of Switch	6
Inlet Air Temperature Sensor	BK	Left Front of Engine Compartment	2
Instrument Cluster	BK	Left Side of Instrument Panel	6
Knock Sensor	BK	Left Front of Engine	4
Leak Detection Pump (Except Built-Up-Export)	BK	Left Rear of Vehicle	13
Left Back-Up Lamp	BK	At Lamp	11
Left City Lamp (Built-Up-Export)	BK	At Lamp	N/S
Left Front Door Speaker	BK	At Drivers Door	14
Left Front Fog Lamp	BK	At Lamp	N/S
Left Front Side Marker Lamp (Except Built-Up-Export)	NAT	At Lamp	N/S
Left Front Turn Signal Lamp (Built-Up-Export)	NAT	At Lamp	2
Left Front Wheel Speed Sensor	BK	At Left Front Wheel Opening	2
Left Headlamp	BK	At Lamp	2
Left Headlamp Leveling Motor (Built-Up-Export)	GY	Rear of Left Headlamp	N/S
Left Instrument Panel Speaker	BK	At Speaker	6

DESCRIPTION AND OPERATION (Continued)

Connector Name/Number	Color	Location	Fig.
Left License Lamp (Built-Up-Export)	NAT	Rear of Lamp	13
Left Park/Turn Signal Lamp (Except Built-Up-Export)	BK	At Lamp	N/S
Left Rear Door Lock Motor	BK	At Motor	16
Left Rear Fog Lamp (Built-Up-Export)	GY	At Lamp	N/S
Left Rear Speaker	BK	At Speaker	11
Left Rear Turn Signal Lamp (Built-Up-Export)	GY	At Lamp	11
Left Rear Wheel Speed Sensor	BL	At Left Rear Wheel Opening	N/S
Left Repeater Lamp (Built-Up-Export)	BL	At Lamp	1
Left Tail/Stop Lamp (Built-Up-Export)	BK	At Lamp	11
Left Tail/Stop/Turn Signal Lamp (Except Built-Up-Export)	BK	At Lamp	N/S
License Lamp (Except Built-Up-Export)	NAT	Rear of Lamp	N/S
Low Note Horn	BK	Right Inner Fender	1
Manifold Absolute Pressure Sensor	BK	Left Front of Engine	4
Map/Reading Lamps	BK	Front of Headliner	9

Connector Name/Number	Color	Location	Fig.
Multi-Function Switch	GY	Left Side of Instrument Panel	6
Oxygen Sensor 1/1 Upstream	GY	Right Rear of Engine	5
Oxygen Sensor 1/2 Downstream (2.0L)	GY	Right Rear of Engine	5
Park/Neutral Position Switch (ATX)	BK	On Transmission	N/S
Passenger Airbag	YL	Right Side of Instrument Panel	6
Passenger Cylinder Lock Switch	BK	At Passengers Door	15
Passenger Door Lock Motor	BK	At Passengers Door	15
Passenger Door Lock Switch	BK	At Passengers Door	15
Passenger Power Mirror	GY	At Passengers Door	15
Passenger Power Window Motor	BK	At Passengers Door	15
Passenger Power Window Switch	GY	At Passengers Door	15
Power Mirror Switch	GY	At Drivers Door	14
Power Steering Pressure Switch	GY	Left Rear of Engine Compartment	2
Powertrain Control Module - C1	BK	Left Fender Side Shield	4
Powertrain Control Module - C2	BK	Left Fender Side Shield	2
PRNDL Lamp	BK	At Center Console	6

DESCRIPTION AND OPERATION (Continued)

Connector Name/Number	Color	Location	Fig.
Proportional EVAP/Purge Solenoid	BK	Left Rear of Engine Compartment	2
Radiator Fan Motor	BK	Front of Engine Compartment	2
Radio - C1	BK	Rear of Radio	7
Radio - C2	GY	Rear of Radio	7
Rear Window Defogger Switch	BK	Center of Instrument Panel	7
Remote Keyless Entry Module	BK	Center of Instrument Panel	7
Right Back-Up Lamp	BK	At Lamp	12
Right City Lamp (Built-Up-Export)	GY	Right Headlamp Opening	N/S
Right Front Door Speaker	BK	At Passengers Door	15
Right Front Fog Lamp	BK	At Lamp	N/S
Right Front Side Marker Lamp	NAT	At Lamp	N/S
Right Front Turn Signal Lamp (Built-Up-Export)	NAT	At Lamp	3
Right Front Wheel Speed Sensor	BK	At Right Front Wheel Opening	1, 3
Right Headlamp	BK	At Lamp	3
Right Headlamp Leveling Motor (Built-Up-Export)	GY	Rear of Right Headlamp	N/S
Right Instrument Panel Speaker	BK	At Speaker	6, 7

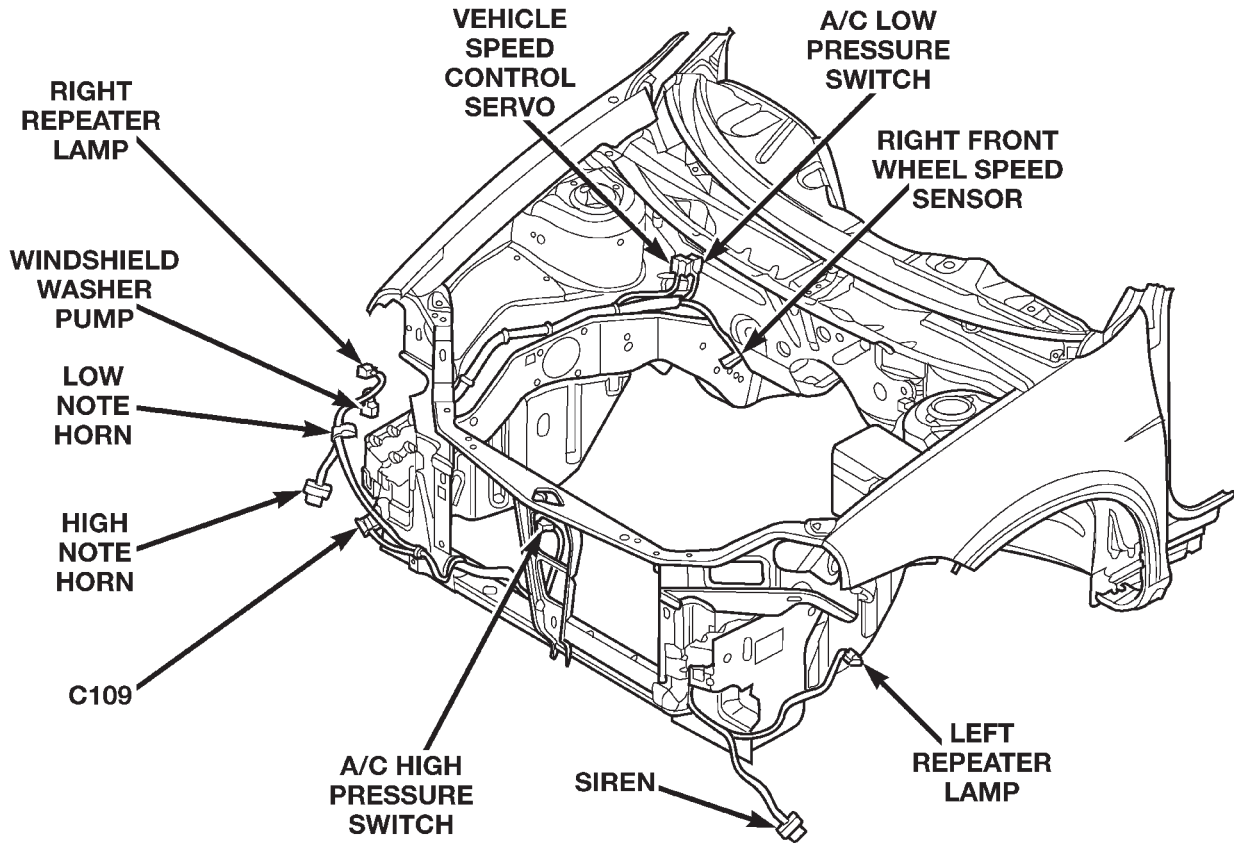
Connector Name/Number	Color	Location	Fig.
Right License Lamp (Built-Up-Export)	NAT	At Lamp	13
Right Park/Turn Signal Lamp (Except Built-Up-Export)	BK	At Lamp	N/S
Right Rear Door Lock Motor	BK	At Motor	16
Right Rear Fog Lamp (Built-Up-Export)	GY	At Lamp	13
Right Rear Speaker	BK	At Speaker	11
Right Rear Turn Signal Lamp (Built-Up-Export)	GY	At Lamp	12
Right Rear Wheel Speed Sensor	BL	At Right Rear Wheel Opening	N/S
Right Repeater Lamp (Built-Up-Export)	BL	At Lamp	1
Right Tail/Stop Lamp (Built-Up-Export)	BK	At Lamp	12
Right Tail/Stop/ Turn Signal Lamp (Except Built-Up-Export)	BK	At Lamp	N/S
Seat Belt Switch	BK	Under Drivers Seat	N/S
Sentry Key Immobilizer Module	BK	Left Side of Instrument Panel	6
Siren (Built-Up-Export)		Left Front of Vehicle	1

DESCRIPTION AND OPERATION (Continued)

Connector Name/Number	Color	Location	Fig.
Sunroof Control Module		At Sunroof	N/S
Sunroof Motor		At Sunroof	N/S
Sunroof Switch	BK	At Switch	N/S
Sunroof Vent Switch		At Switch	N/S
Throttle Position Sensor	BK	On Throttle Body	2
Torque Converter Clutch Solenoid (ATX)	BK	On Transmission	2
Traction Control Switch	WT	Center of Instrument Panel	7

Connector Name/Number	Color	Location	Fig.
Trunk Key Cylinder Switch	GY	On Decklid	17
Underhood Lamp	BK	At Lamp	N/S
Vehicle Speed Control Servo	BK	At Right Front Strut Tower	1, 3
Vehicle Speed Sensor	BK	On Transmission	5
Windshield Washer Pump	RD	At Right Front Wheel Opening	1
Wipe/Wash Switch	GY	Center of Instrument Panel	6
Wiper Motor	BK	Left Side of Engine Compartment	N/S

DESCRIPTION AND OPERATION (Continued)



80bceb0e

Fig. 1 Engine Compartment Connections (Front)—LHD

DESCRIPTION AND OPERATION (Continued)

80bbccf8

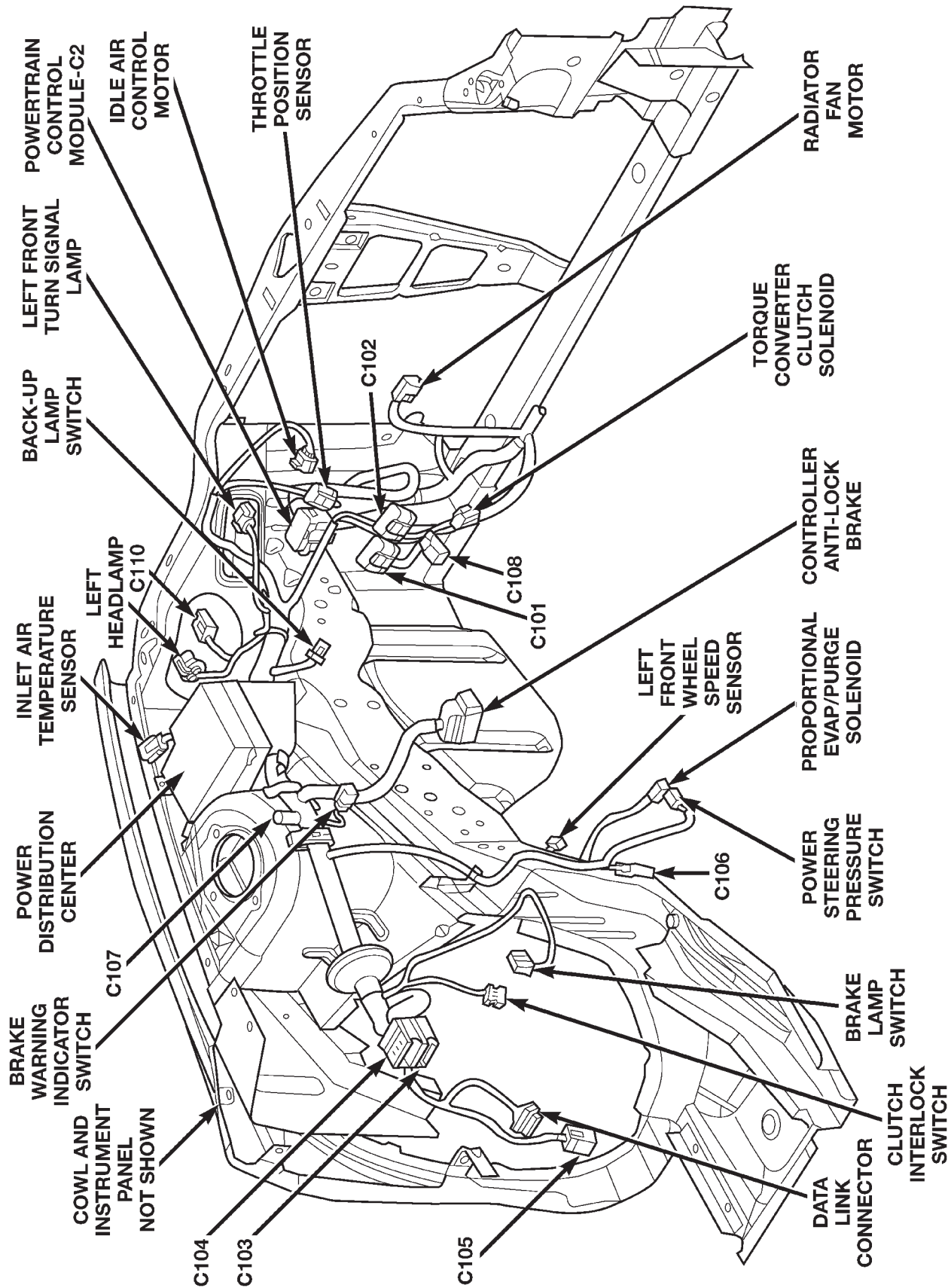


Fig. 2 Engine Compartment Connections (Left Side)—LHD

DESCRIPTION AND OPERATION (Continued)

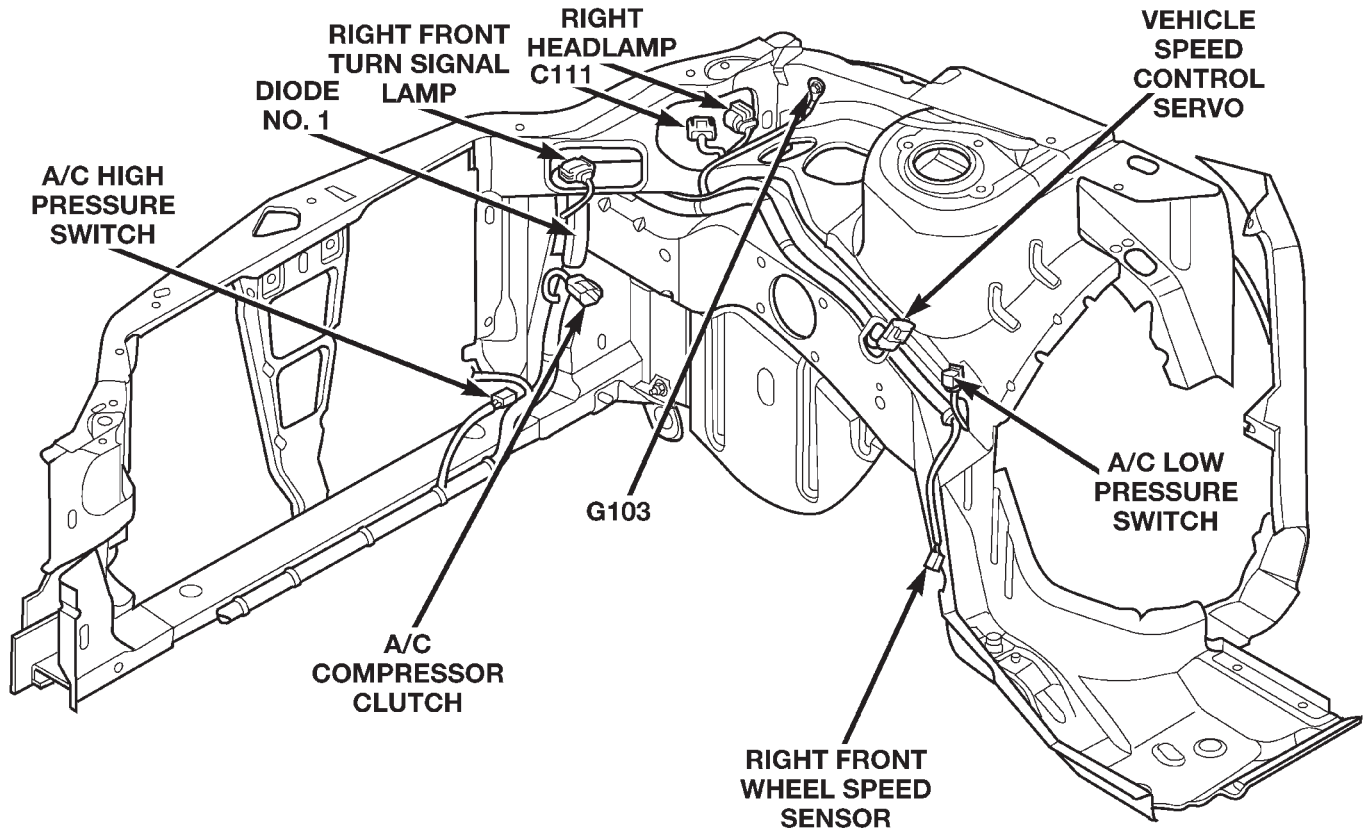


Fig. 3 Engine Compartment Connections (Right Side)—LHD

80bceb0f

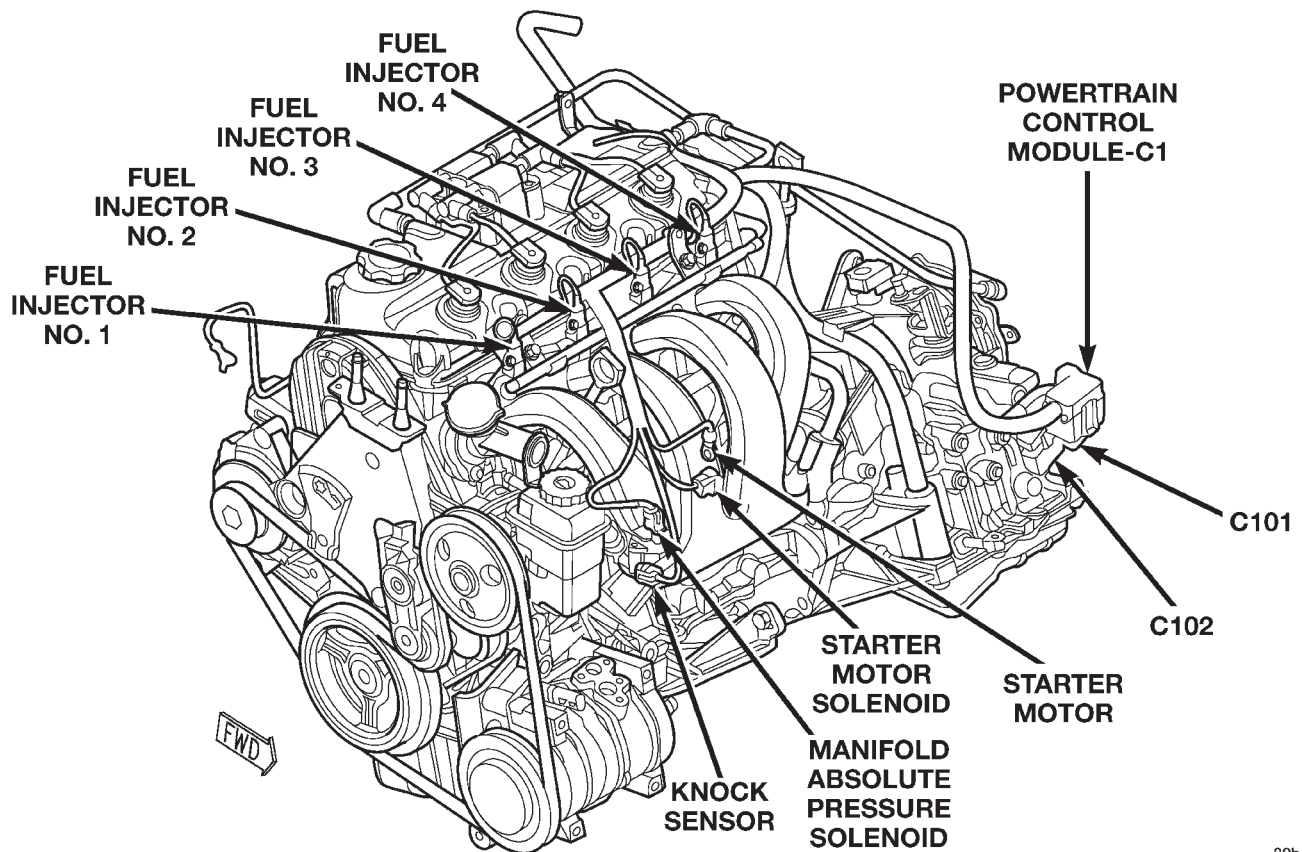
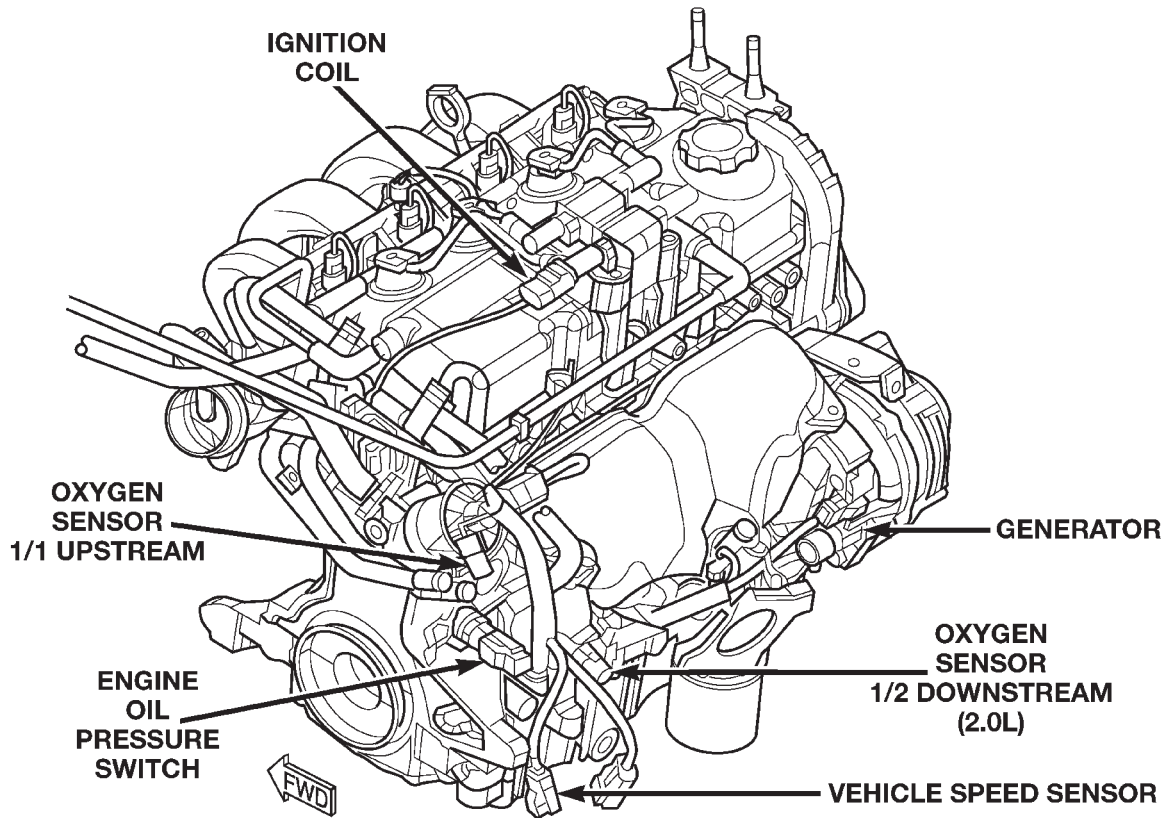


Fig. 4 Engine Connections—LHD

80bceb10

DESCRIPTION AND OPERATION (Continued)



80bceb16

Fig. 5 Engine Connections—LHD

DESCRIPTION AND OPERATION (Continued)

80bbccf9

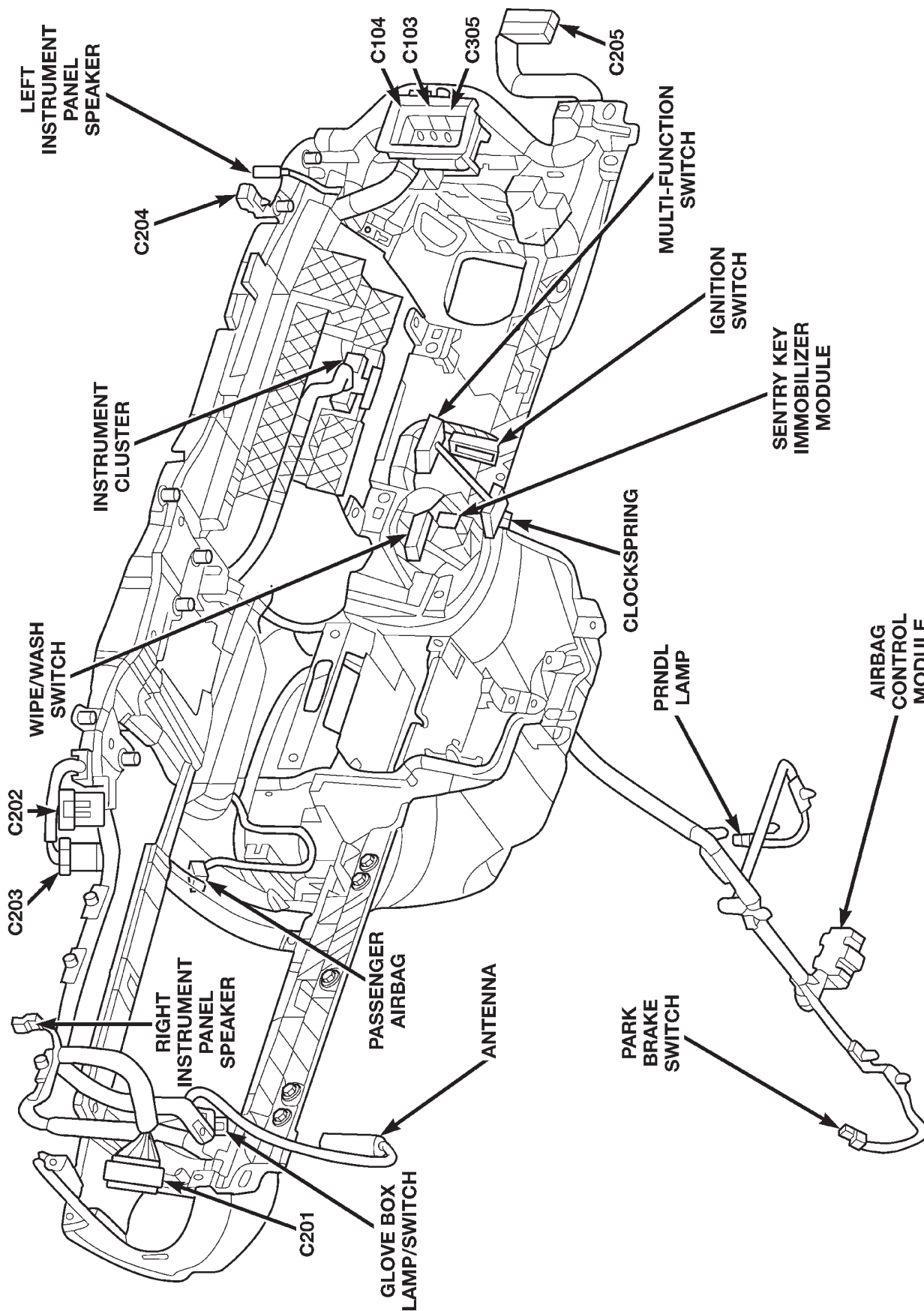


Fig. 6 Instrument Panel Connections—LHD

DESCRIPTION AND OPERATION (Continued)

80bbccfa

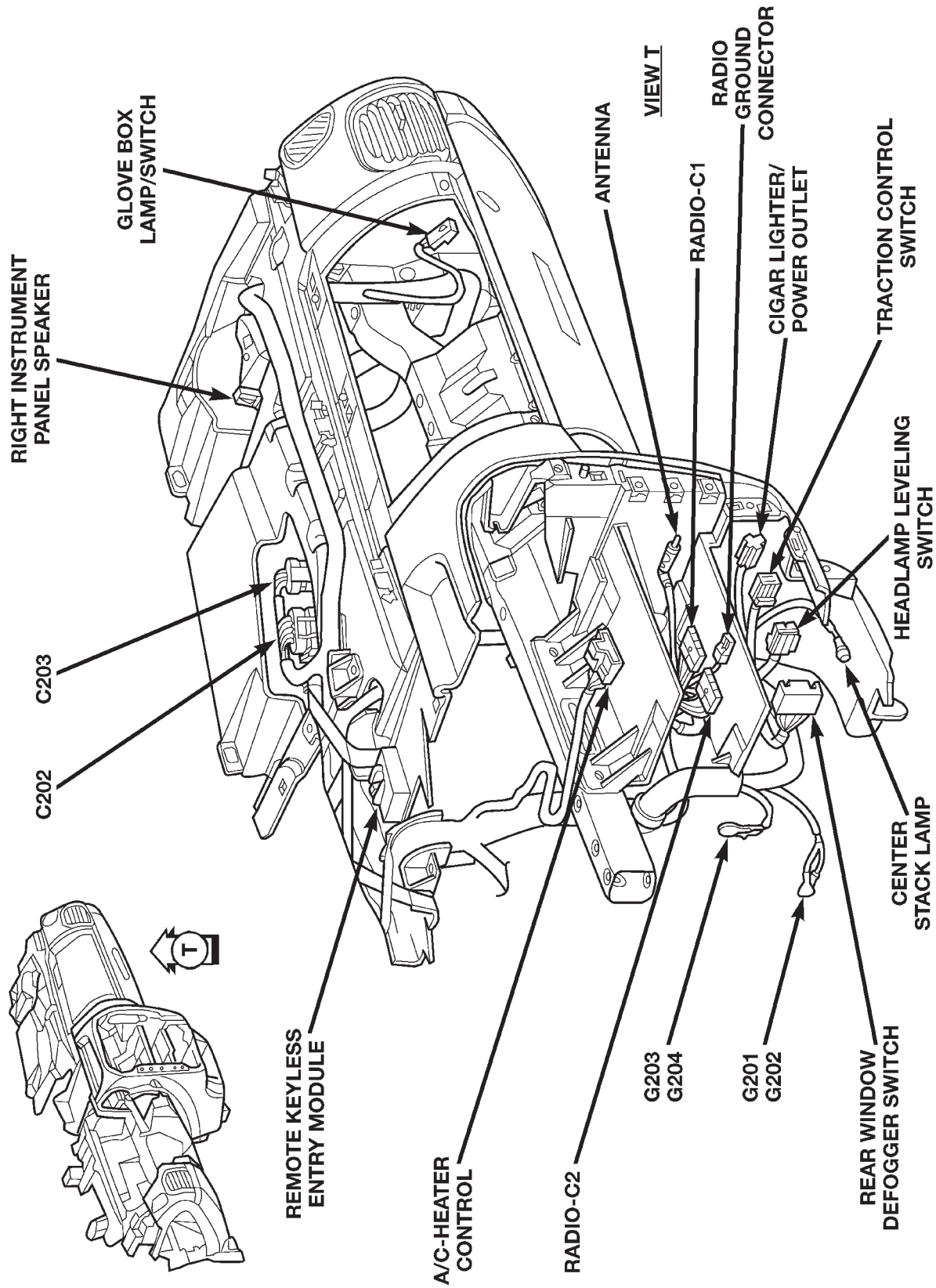


Fig. 7 Instrument Panel Connections—LHD

DESCRIPTION AND OPERATION (Continued)

80bbccfb

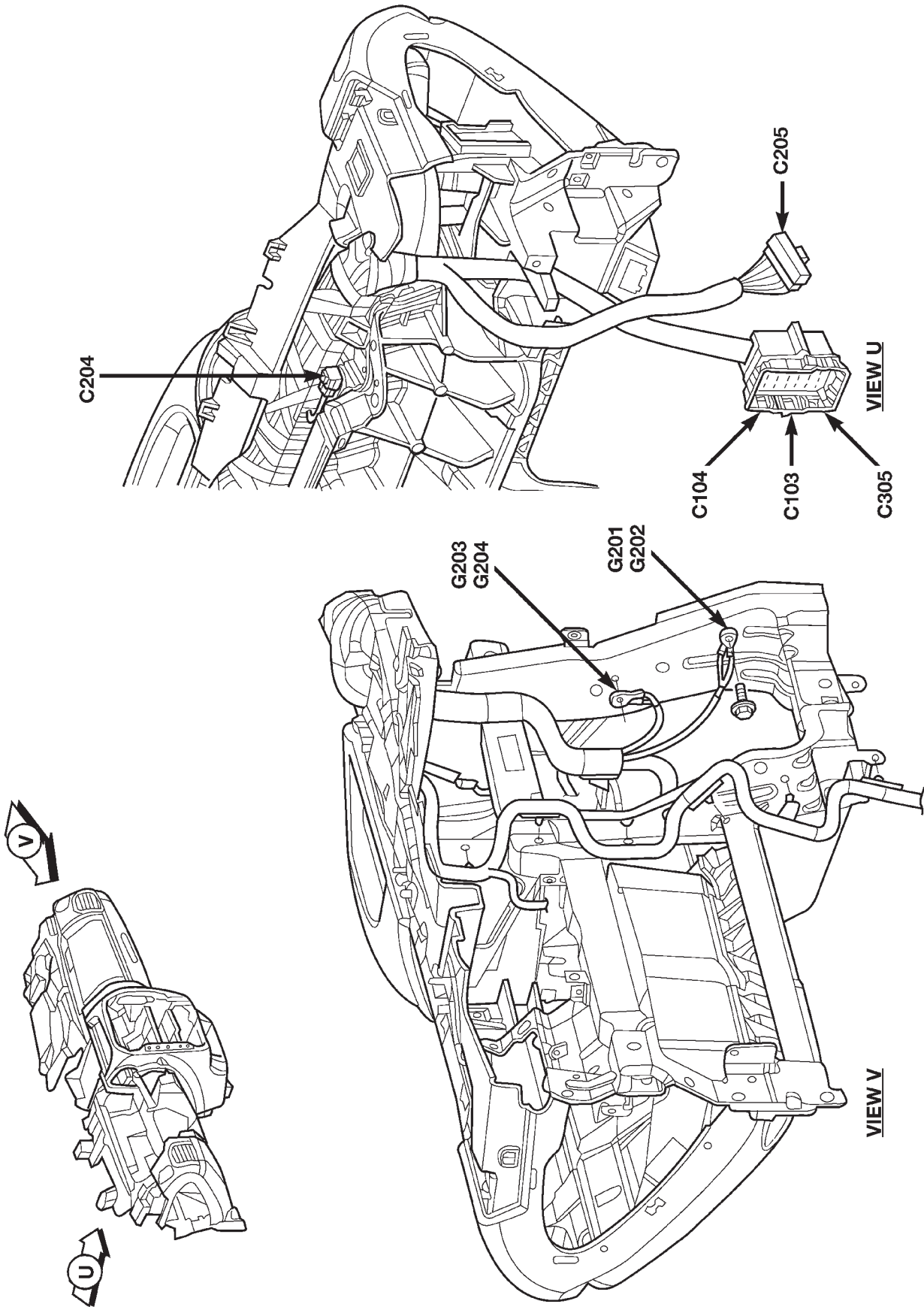
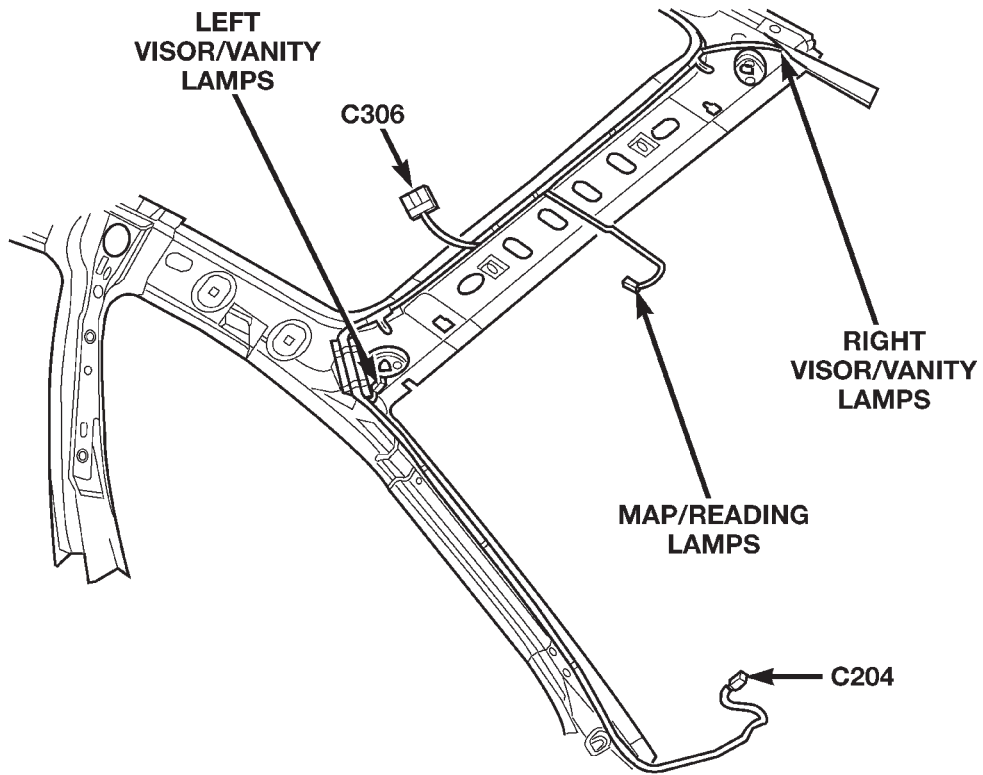


Fig. 8 Instrument Panel Connections—LHD

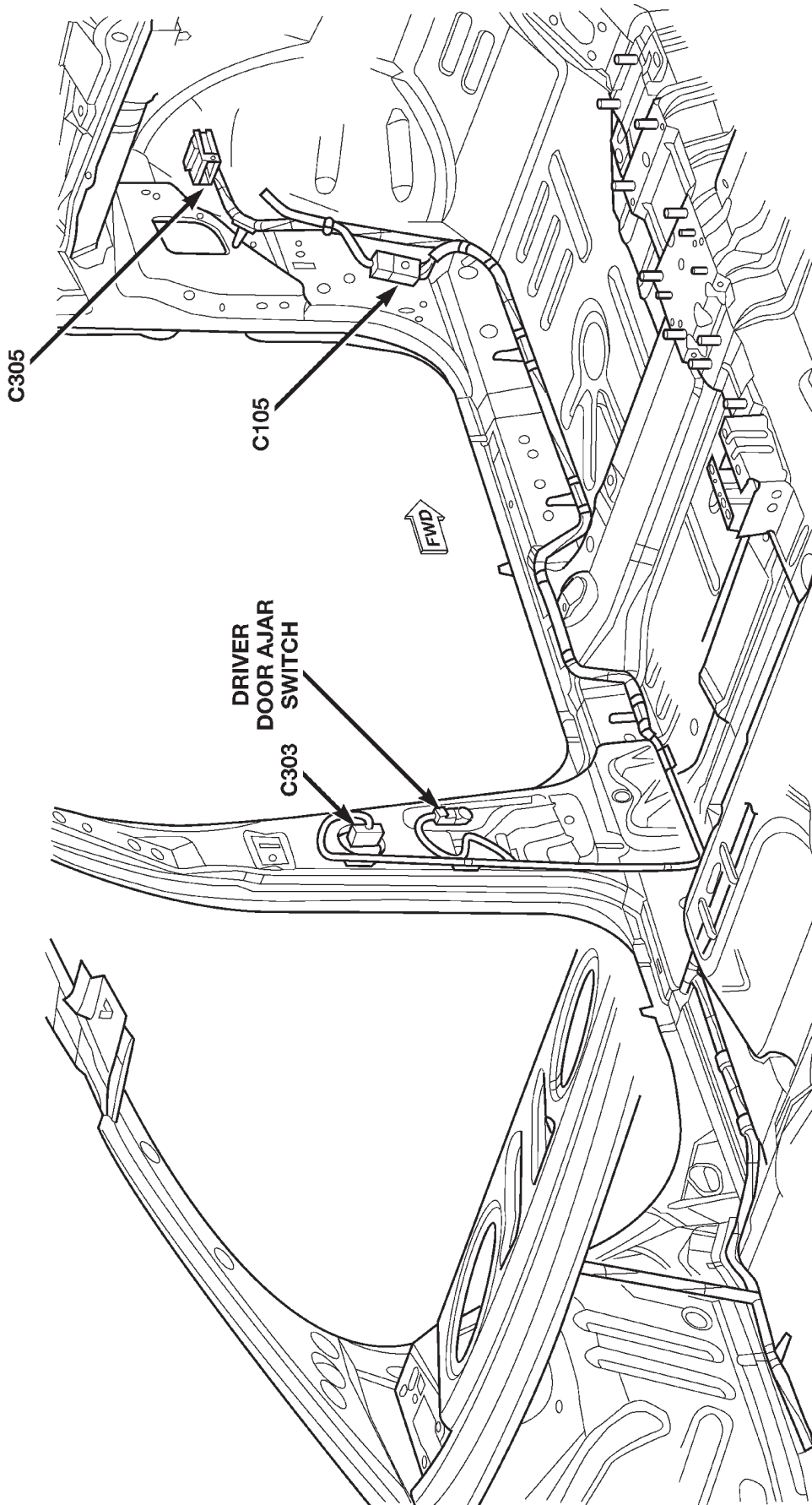
DESCRIPTION AND OPERATION (Continued)



80bceb17

Fig. 9 Roof Connections—LHD

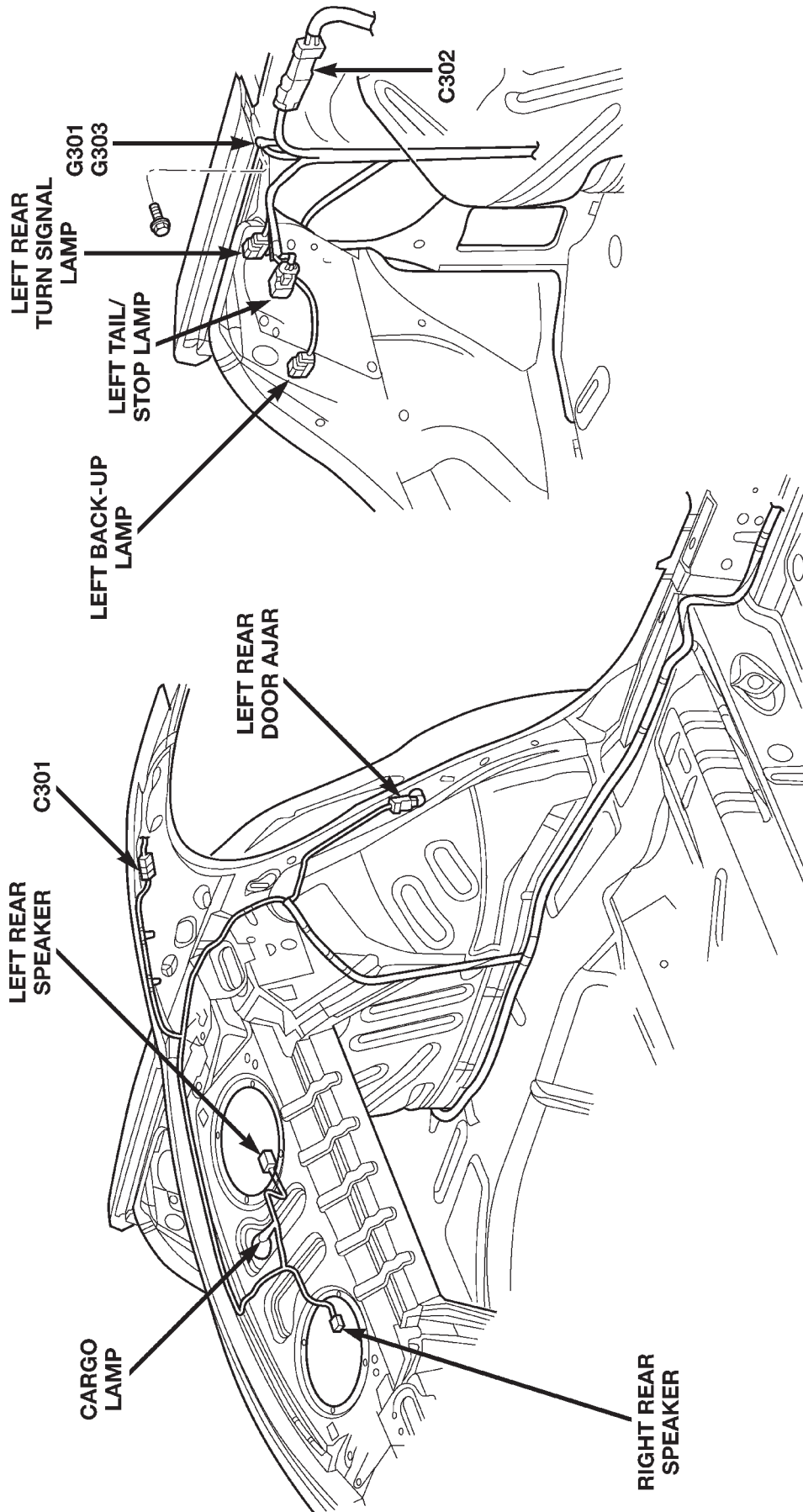
DESCRIPTION AND OPERATION (Continued)



80bbccfc

Fig. 10 Body Connections—LHD

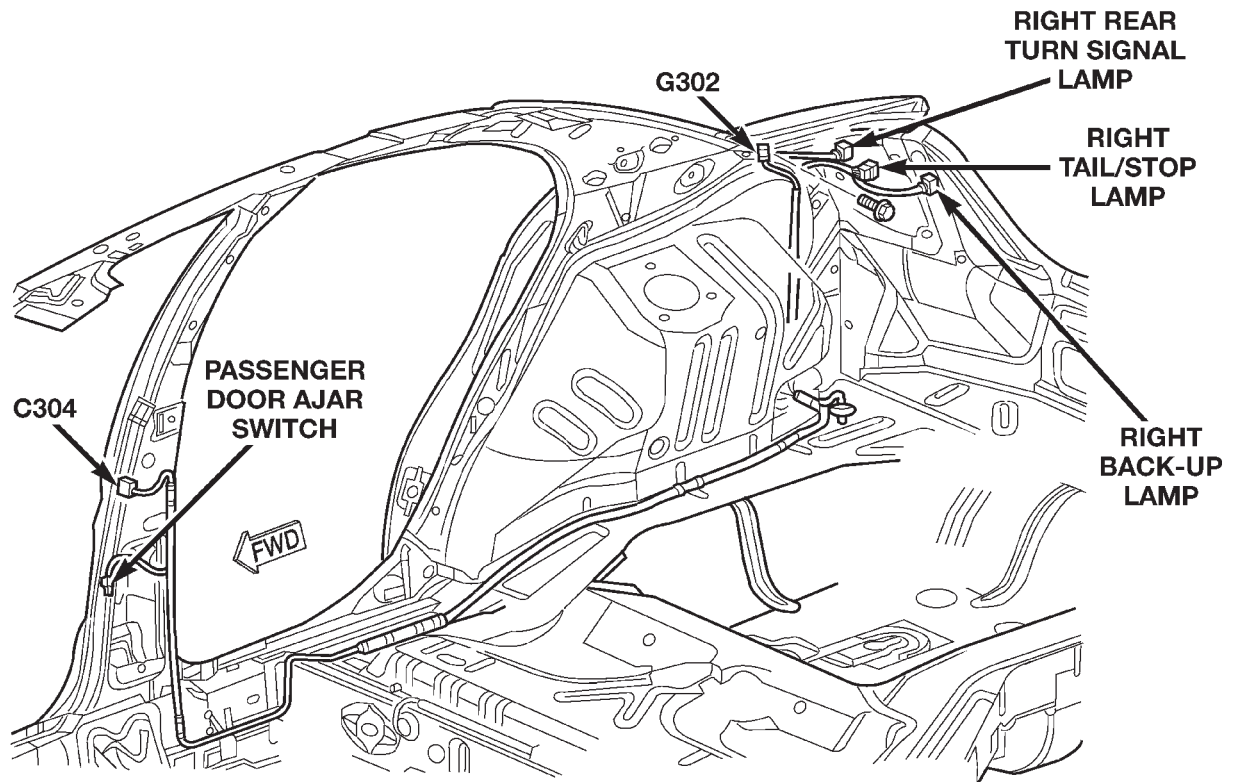
DESCRIPTION AND OPERATION (Continued)



80bbcfe

Fig. 11 Body Connections—LHD

DESCRIPTION AND OPERATION (Continued)



80bceb18

Fig. 12 Body Connections—LHD

DESCRIPTION AND OPERATION (Continued)

80bcccff

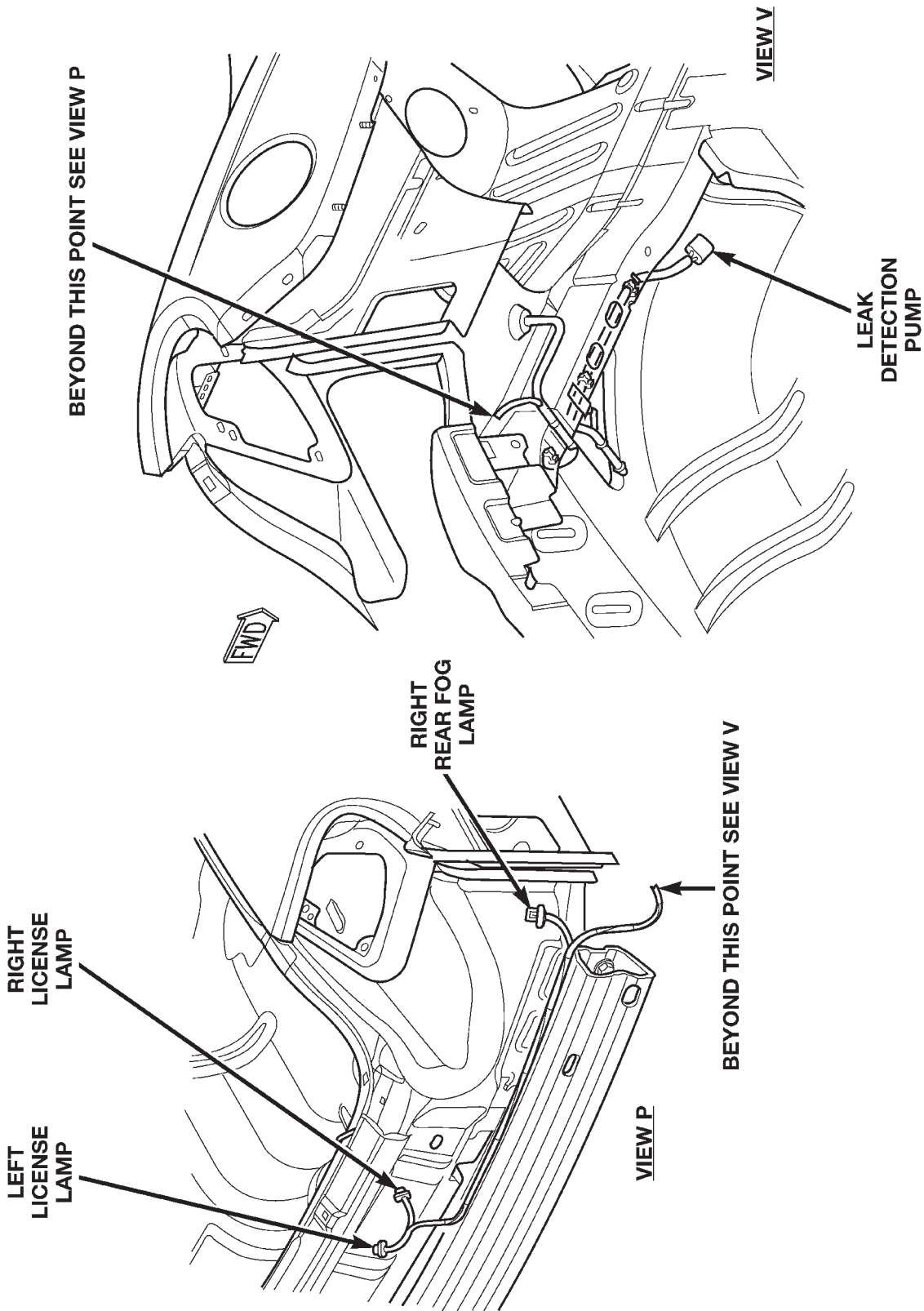
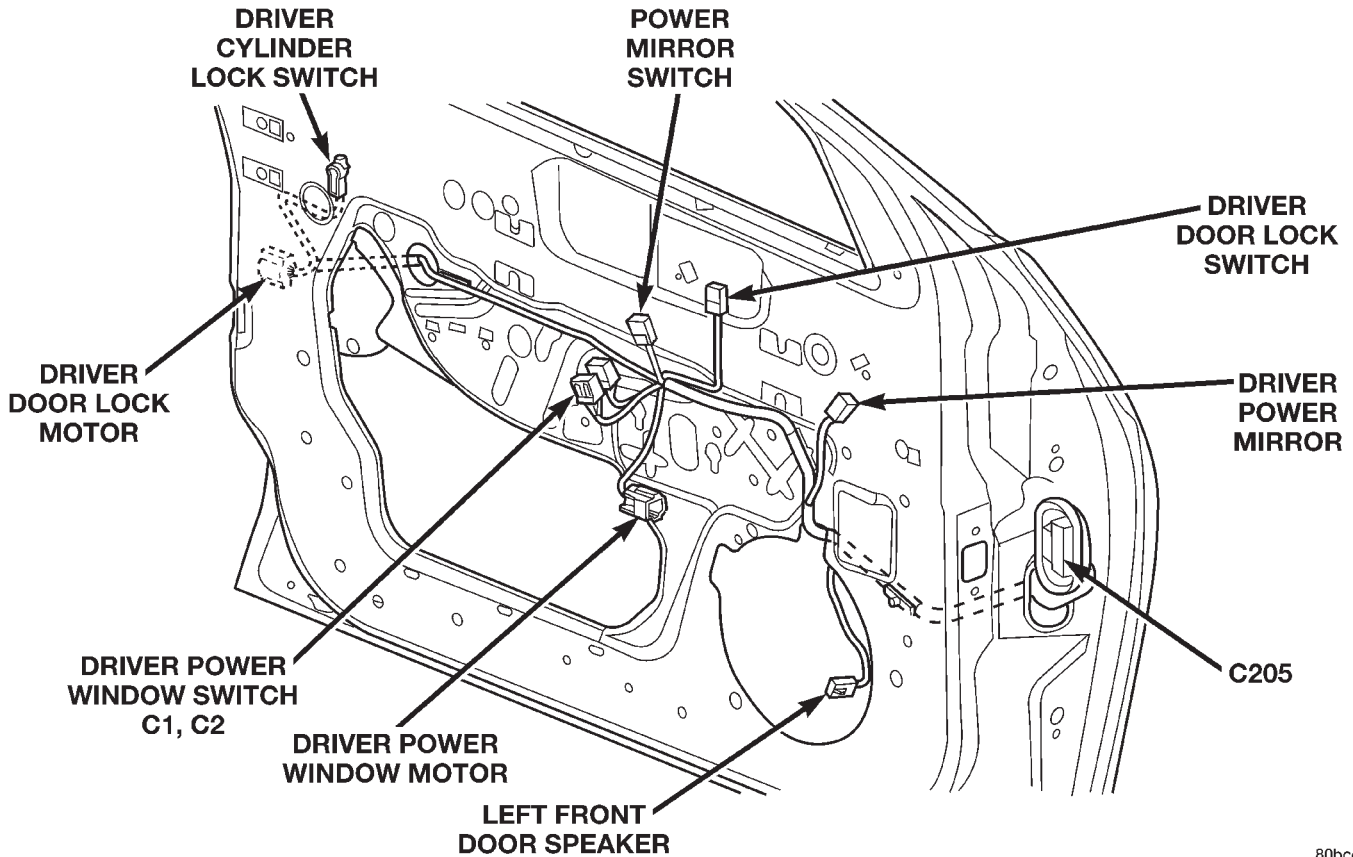


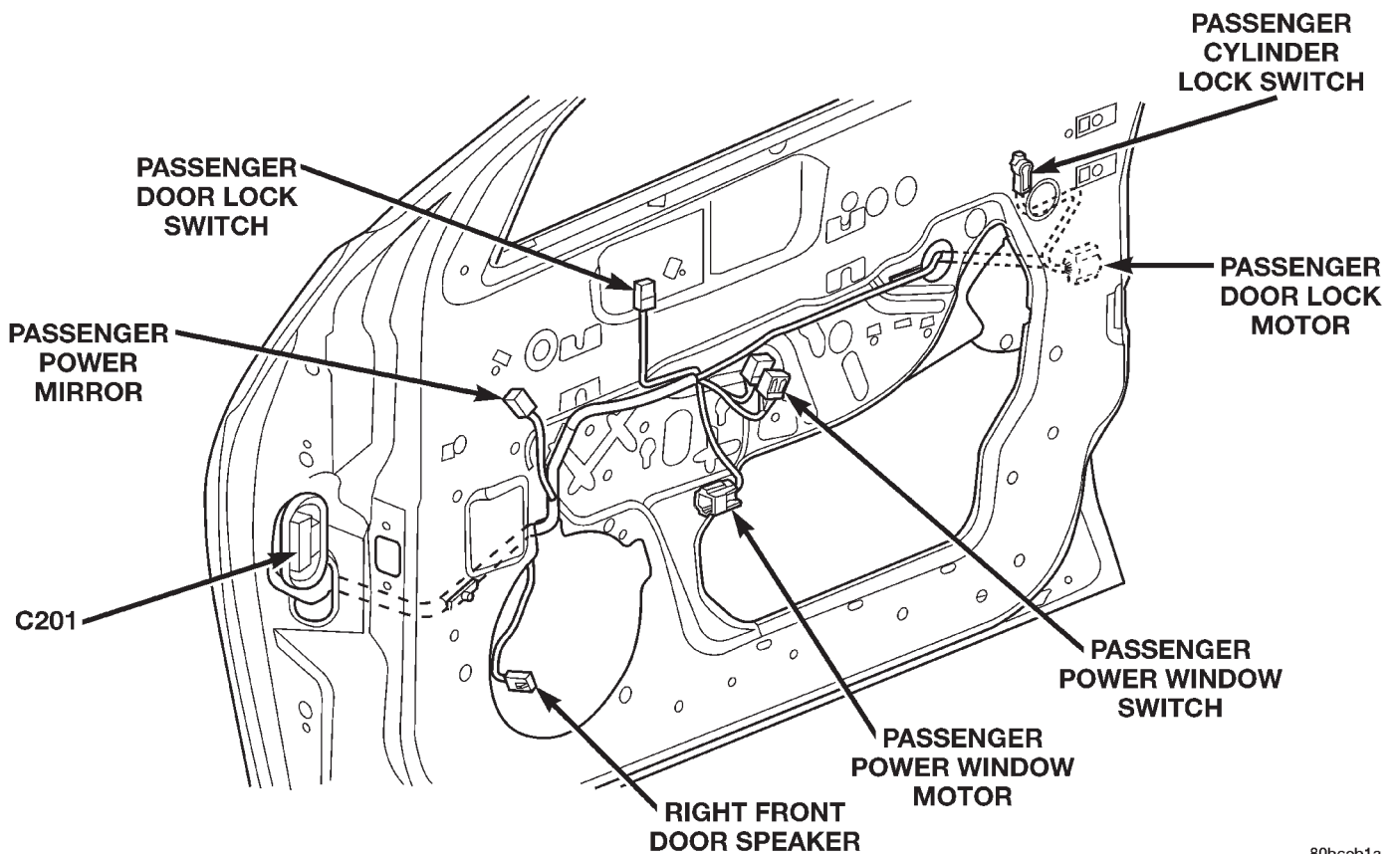
Fig. 13 Body Connections—LHD

DESCRIPTION AND OPERATION (Continued)



80bceb19

Fig. 14 Door Connections (Driver)—LHD



80bceb1a

Fig. 15 Door Connections (Passenger)—LHD

DESCRIPTION AND OPERATION (Continued)

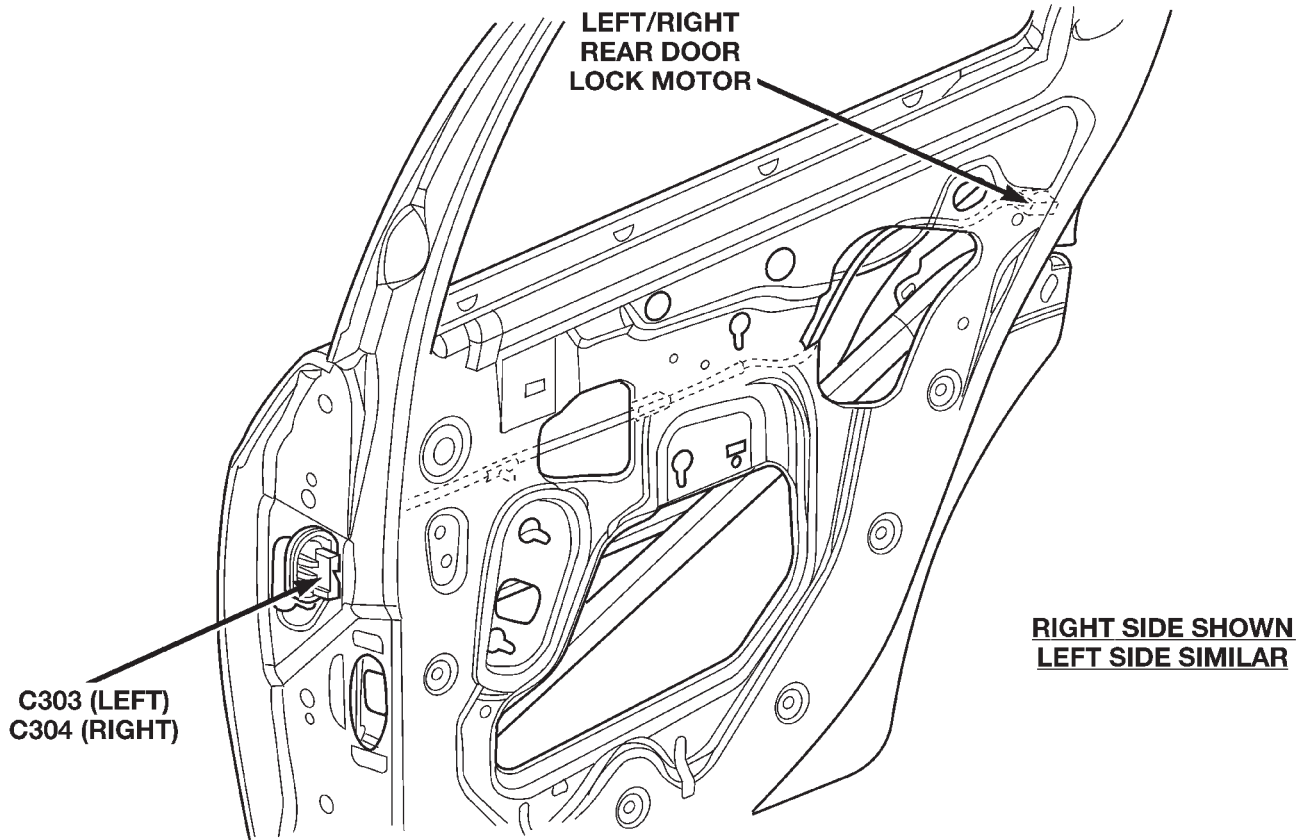


Fig. 16 Door Connections (Rear)—LHD

80bceb1b

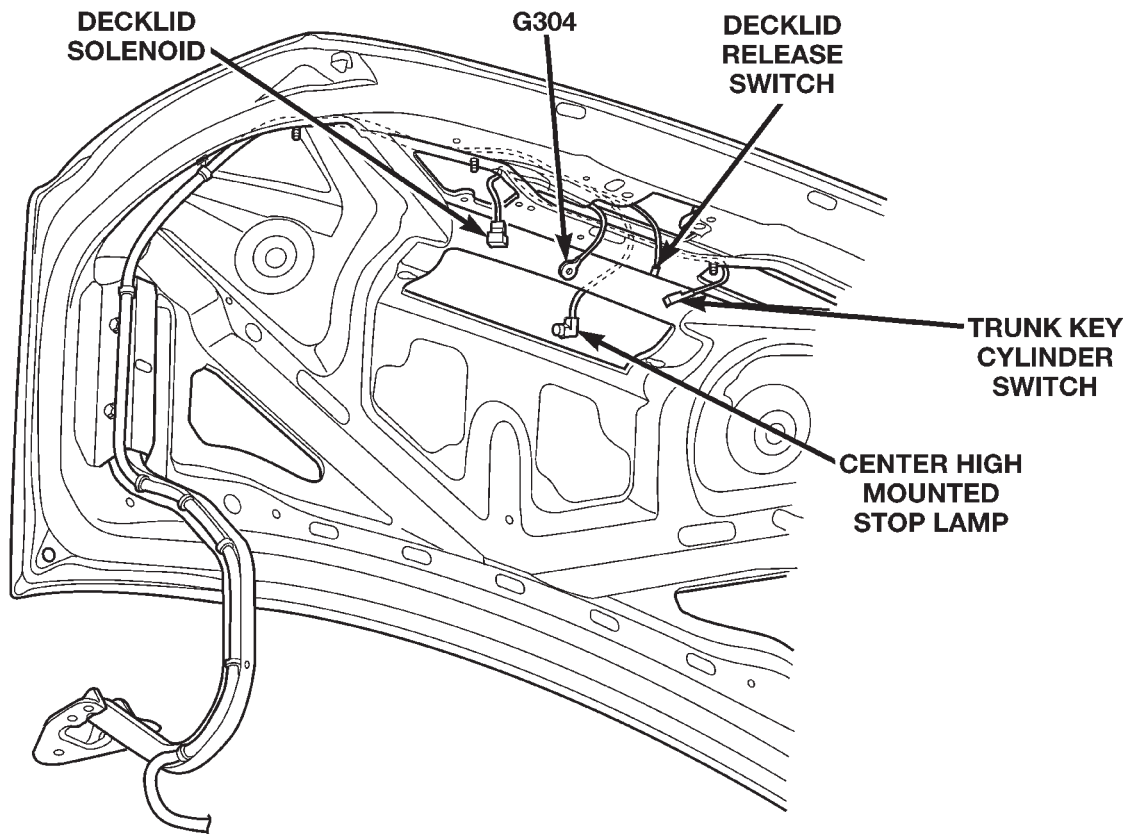


Fig. 17 Decklid Connections—LHD

80bceb1c

DESCRIPTION AND OPERATION (Continued)

CONNECTOR/GROUND LOCATIONS (RHD)

For items not shown in this section a N/S is placed in the Fig. column.

Connector Name/Number	Color	Location	Fig.
A/C Compressor Clutch	BK	Right Front of Engine Compartment	20
A/C Cycling Switch	BK	Left Side of Instrument Panel	N/S
A/C-Heater Blower Motor	BK	Left Side of Instrument Panel	N/S
A/C-Heater Control	GY	Center of Instrument Panel	24
A/C High Pressure Switch	BK	Front Center of Engine Compartment	18, 20
A/C Low Pressure Switch	BK	Left Rear of Engine Compartment	N/S
Airbag Control Module	YL	Near PRNDL Lamp T/O	25
Back-Up Lamp Switch (MTX)	GY	Left Front of Engine Compartment	19
Blower Motor Resistor Block	BK	T/O Near Grommet and C202	23
Brake Lamp Switch	GY	Top of Brake Pedal	23
Brake Shift Interlock Solenoid	WT	Right Side of Instrument Panel	N/S
Brake Warning Indicator Switch	BK	Rear of Engine Compartment	N/S
C101	BK	Left Front of Engine Compartment	19, 21
C102	LT GY	Left Front of Engine Compartment	19, 21
C103	BK	Right Side of Instrument Panel	23, 25, 26

Connector Name/Number	Color	Location	Fig.
C104	GY	Right Side of Instrument Panel	23, 25, 26
C105	BK	Right Kick Panel	23, 29
C106	BK	Left Rear of Engine Compartment	19
C107	BK	Near Left Front Strut Tower	19
C108	BK	Left Front of Engine Compartment	19
C109	BK	Right Front Inner Fender	18
C110	BK	Left Headlamp Opening	19
C111	BK	Right Headlamp Opening	20
C201	GY	Left Side of Instrument Panel	25, 33
C202	LT GN	Left Side of Instrument Panel	23, 24, 25
C203	LT GY	Left Side of Instrument Panel	24, 25
C204	RD	Left Side of Instrument Panel	24, 25, 27
C205	GY	Right Side of Instrument Panel	25, 26, 34
C301	RD	Left C-Pillar	30
C302	BK	Inner Left Rear Quarter Panel	30

DESCRIPTION AND OPERATION (Continued)

Connector Name/Number	Color	Location	Fig.
C303	BL/BK	Left B-Pillar at Left Rear Door	28, 35
C304	BL/BK	Right B-Pillar at Right Rear Door	29, 31, 35
C305	NAT	Right Side of Instrument Panel	25, 26, 29
C306	BK	Front Center of Headliner	27
Camshaft Position Sensor	BK	Rear of Engine	N/S
Cargo Lamp	BK	Under Parcel Shelf	30
Center High Mounted Stop Lamp	BK	Rear of Lamp	36
Center Stack Lamp	BK	Center of Instrument Panel	24
Cigar Lighter/Power Outlet	RD	Center of Instrument Panel	24
Clockspring	GN	Rear of Steering Wheel	25
Clutch Interlock Switch (MTX)	BK	Top of Clutch Pedal	23
Controller Anti-Lock Brake	BK	Near Left Strut Tower	19
Crankshaft Position Sensor	BK	Right Front of Engine	N/S
Data Link Connector	BK	Right Front Kick Panel	23
Decklid Solenoid	BK	On Decklid	36
Dome Lamp/Intrusion Sensor	NAT	At Lamp	N/S
Driver Cylinder Lock Switch	BK	At Drivers Door	34
Driver Door Lock Motor	BK	At Drivers Door	34

Connector Name/Number	Color	Location	Fig.
Driver Door Lock Switch	BK	At Drivers Door	34
Driver Power Mirror	BL	At Drivers Door	34
Driver Power Window Motor	BK	At Drivers Door	34
Driver Power Window Switch - C1	BK	At Drivers Door	34
Driver Power Window Switch - C2	GY	At Drivers Door	34
Engine Coolant Temperature Sensor	BK	Right Side of Engine	N/S
Engine Oil Pressure Switch	GN	Right Rear of Engine	22
Fuel Injector NO. 1	BK	At Injector	21
Fuel Injector NO. 2	BK	At Injector	21
Fuel Injector NO. 3	BK	At injector	21
Fuel Injector NO. 4	BK	At Injector	21
Fuel Pump Module	LT GY	At Fuel Tank	N/S
G101		Left Front of Engine Compartment	N/S
G102		Left Front of Engine Compartment	N/S
G103		Right Front of Engine Compartment	20
G104		Near Engine Starter Motor	N/S
G105		Near Negative Battery Terminal	N/S
G201		Lower Center of Instrument Panel	24, 26

DESCRIPTION AND OPERATION (Continued)

Connector Name/Number	Color	Location	Fig.
G202		Lower Center of Instrument Panel	24, 26
G203		Lower Center of Instrument Panel	24, 26
G204		Lower Center of Instrument Panel	24, 26
G301		Inner Left Rear Quarter Panel	30
G302		Inner Right Rear Quarter Panel	31
G303		Inner Left Rear Quarter Panel	30
G304		At Decklid	36
Generator	BK	Left Rear of Engine	22
Glove Box Lamp / Switch	BK	Rear of Lamp/Switch	24, 25
Headlamp Leveling Switch	BK	Center of Instrument Panel	24
High Note Horn	BK	Right Inner Fender	18
Hood Ajar Switch	BK	Right Side of Engine Compartment	N/S
Idle Air Control Motor	BK	On Throttle Body	19
Ignition Coil	BK	Top of Valve Cover	22
Ignition Switch	BK	Rear of Switch	25
Inlet Air Temperature Sensor	BK	Left Front of Engine Compartment	19
Instrument Cluster	BK	Right Side of Instrument Panel	25
Knock Sensor	BK	Left Front of Engine	21
Left Back-Up Lamp	BK	At Lamp	30
Left City Lamp	BK	At Lamp	N/S

Connector Name/Number	Color	Location	Fig.
Left Front Door Speaker	BK	At Passengers Door	33
Left Front Fog Lamp	BK	At Lamp	N/S
Left Front Turn Signal Lamp	NAT	At Lamp	19
Left Front Wheel Speed Sensor	BK	At Left Front Wheel Opening	19
Left Headlamp	BK	At Lamp	19
Left Headlamp Leveling Motor	GY	Rear of Left Headlamp	N/S
Left Instrument Panel Speaker	BK	At Speaker	24, 25
Left License Lamp	NAT	Rear of Lamp	32
Left Rear Door Lock Motor	BK	At Motor	35
Left Rear Fog Lamp	GY	At Lamp	N/S
Left Rear Speaker	BK	At Speaker	30
Left Rear Turn Signal Lamp	GY	At Lamp	30
Left Rear Wheel Speed Sensor	BL	At Left Rear Wheel Opening	N/S
Left Repeater Lamp	BL	At Lamp	18
Left Tail/Stop Lamp	BK	At Lamp	30
Low Note Horn	BK	Right Inner Fender	18
Manifold Absolute Pressure Sensor	BK	Left Front of Engine	21
Map/Reading Lamps	BK	Front of Headliner	27
Multi-Function Switch	GY	Right Side of Instrument Panel	25
Oxygen Sensor 1/1 Upstream	GY	Right Rear of Engine	22

DESCRIPTION AND OPERATION (Continued)

Connector Name/Number	Color	Location	Fig.
Oxygen Sensor 1/2 Downstream (2.0L)	GY	Right Rear of Engine	22
Park/Neutral Position Switch (ATX)	BK	On Transmission	N/S
Passenger Airbag	YL	Left Side of Instrument Panel	25
Passenger Cylinder Lock Switch	BK	At Passengers Door	33
Passenger Door Lock Motor	BK	At Passengers Door	33
Passenger Door Lock Switch	BK	At Passengers Door	33
Passenger Power Mirror	BL	At Passengers Door	33
Passenger Power Window Motor	BK	At Passengers Door	33
Passenger Power Window Switch	GY	At Passengers Door	33
Power Mirror Switch	GY	At Drivers Door	34
Power Steering Pressure Switch	GY	Left Rear of Engine Compartment	N/S
Powertrain Control Module - C1	BK	Left Fender Side Shield	21
Powertrain Control Module - C2	BK	Left Fender Side Shield	19
PRNDL Lamp	BK	At Center Console	25
Proportional EVAP/Purge Solenoid	BK	Left Rear of Engine Compartment	19
Radiator Fan Motor	BK	Front of Engine Compartment	19

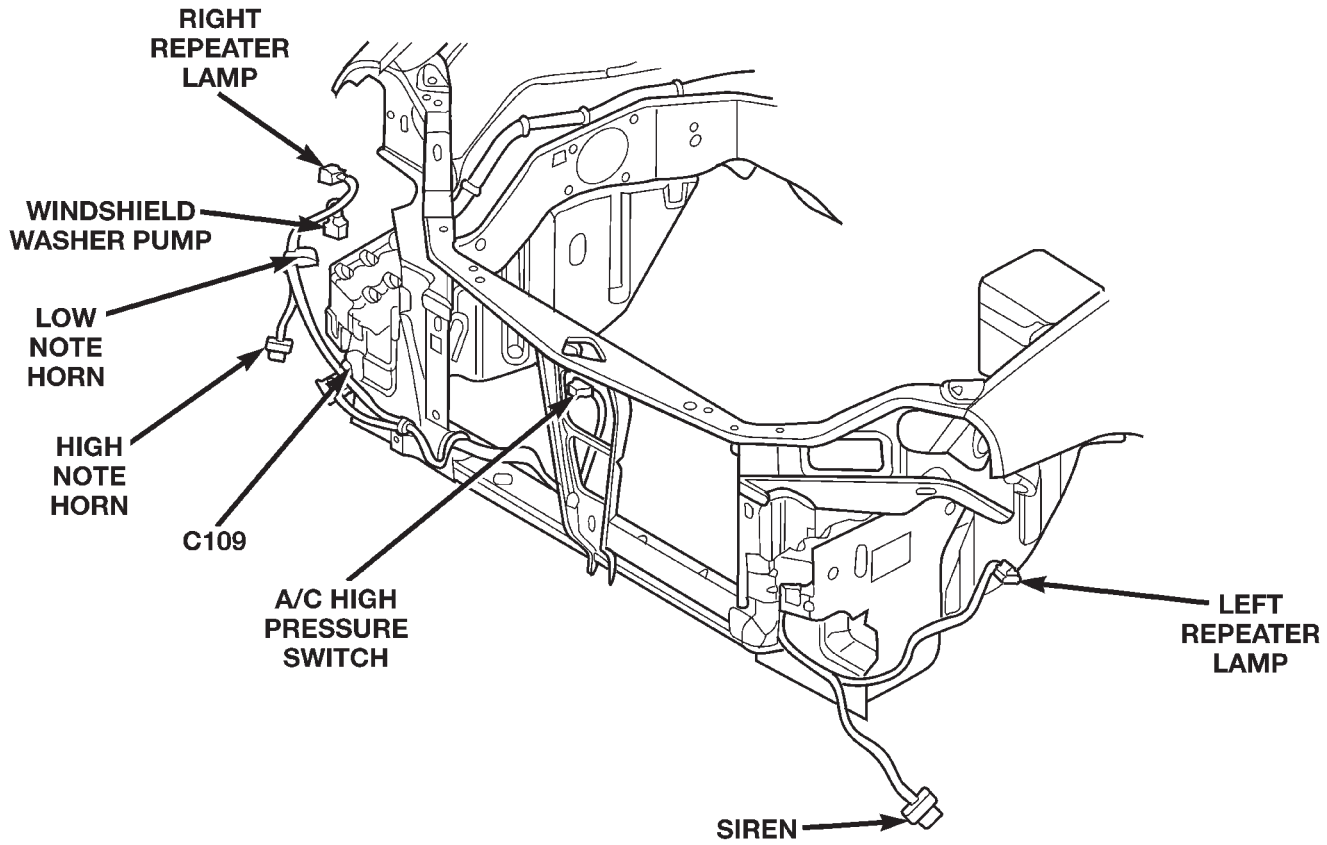
Connector Name/Number	Color	Location	Fig.
Radio - C1	BK	Rear of Radio	24
Radio - C2	GY	Rear of Radio	24
Rear Window Defogger Switch	BK	Center of Instrument Panel	24
Remote Keyless Entry Module	BK	Center of Instrument Panel	24
Right Back-Up Lamp	BK	At Lamp	31
Right City Lamp	GY	At Lamp	N/S
Right Front Door Speaker	BK	At Drivers Door	34
Right Front Fog Lamp	BK	At Lamp	N/S
Right Front Turn Signal Lamp	NAT	At Lamp	20
Right Front Wheel Speed Sensor	BK	At Right Front Wheel Opening	20
Right Headlamp	BK	At Lamp	20
Right Headlamp Leveling Motor	GY	Rear of right Headlamp	N/S
Right Instrument Panel Speaker	BK	At Speaker	25
Right License Lamp	NAT	At Lamp	32
Right Rear Door Lock Motor	BK	At Motor	35
Right Rear Fog Lamp	GY	At Lamp	32
Right Rear Speaker	BK	At Speaker	30
Right Rear Turn Signal Lamp	GY	At Lamp	31
Right Rear Wheel Speed Sensor	BL	At Right Rear Wheel Opening	N/S
Right Repeater Lamp	BL	At Lamp	18

DESCRIPTION AND OPERATION (Continued)

Connector Name/Number	Color	Location	Fig.
Right Tail/Stop Lamp	BK	At Lamp	31
Seat Belt Switch	BK	Under Drivers Seat	N/S
Sentry Key Immobilizer Module	BK	Right Side of Instrument Panel	25
Siren		Left Front of Vehicle	18
Sunroof Control Module		At Sunroof	N/S
Sunroof Motor		At Sunroof	N/S
Sunroof Switch	BK	At Switch	N/S
Sunroof Vent Switch		At Switch	N/S
Throttle Position Sensor	BK	On Throttle Body	19
Torque Converter Clutch Solenoid (ATX)	BK	On Transmission	19

Connector Name/Number	Color	Location	Fig.
Traction Control Switch	WT	Center of Instrument Panel	24
Trunk Key Cylinder Switch	GY	On Decklid	36
Underhood Lamp	BK	At Lamp	N/S
Vehicle Speed Control Servo	BK	At Left Front Strut Tower	19
Vehicle Speed Sensor	BK	On Transmission	22
Windshield Washer Pump	RD	At Right Front Wheel Opening	18
Wipe/Wash Switch	GY	Center of Instrument Panel	25
Wiper Motor	BK	Right Side of Engine Compartment	23

DESCRIPTION AND OPERATION (Continued)



80bceb1e

Fig. 18 Engine Compartment Connections (Front)—RHD

DESCRIPTION AND OPERATION (Continued)

80bbcc400

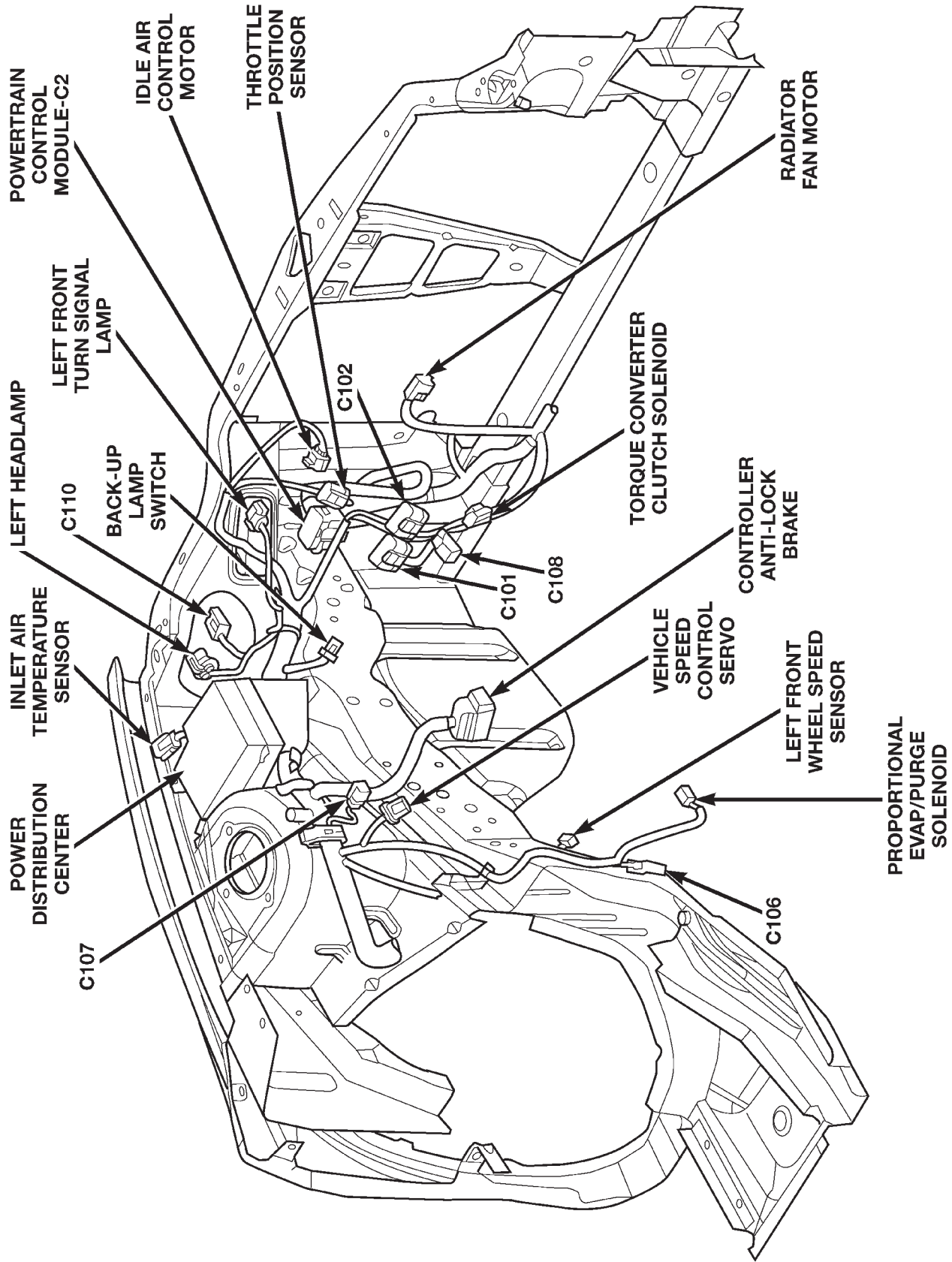


Fig. 19 Engine Compartment Connections (Left Side)—RHD

DESCRIPTION AND OPERATION (Continued)

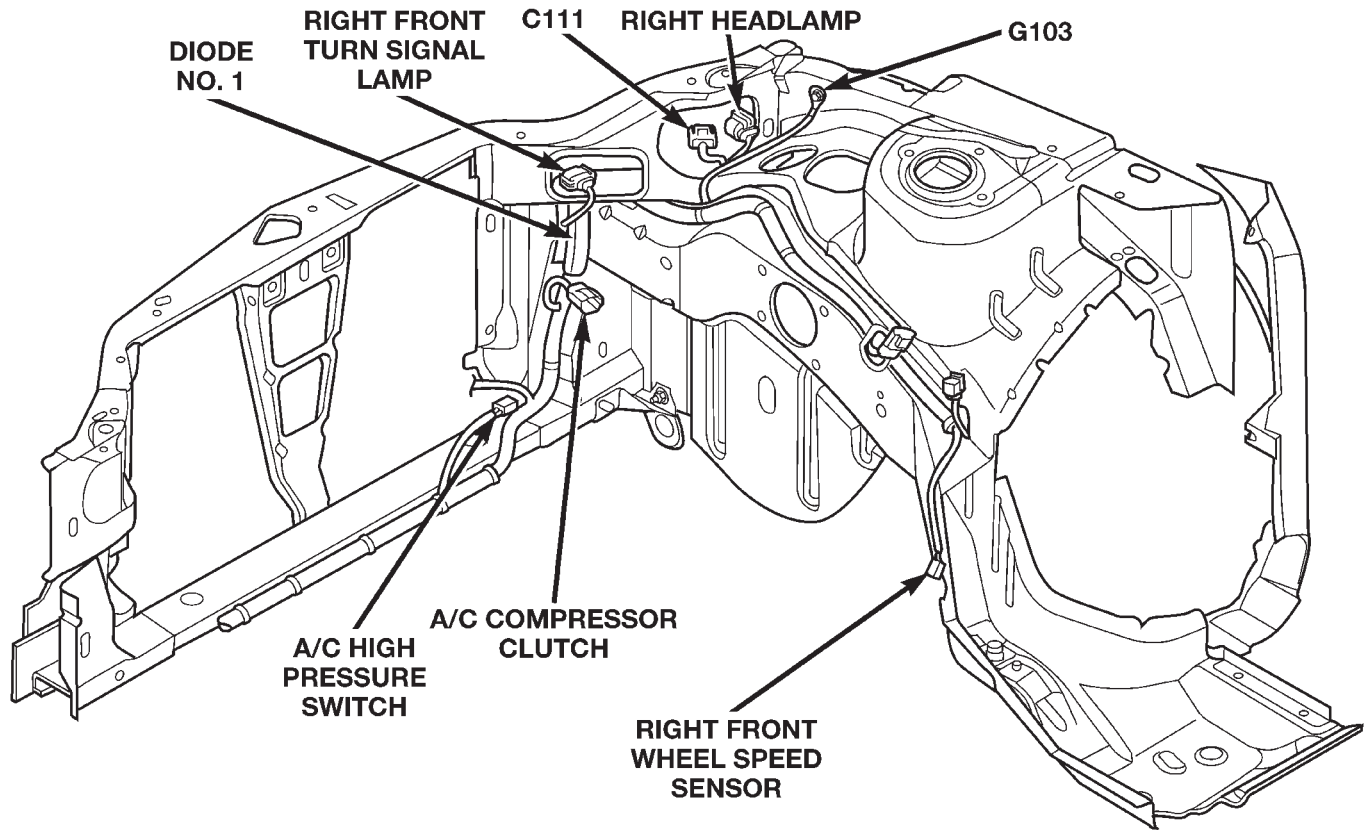


Fig. 20 Engine Compartment Connections (Right Side)—RHD

80bceb1f

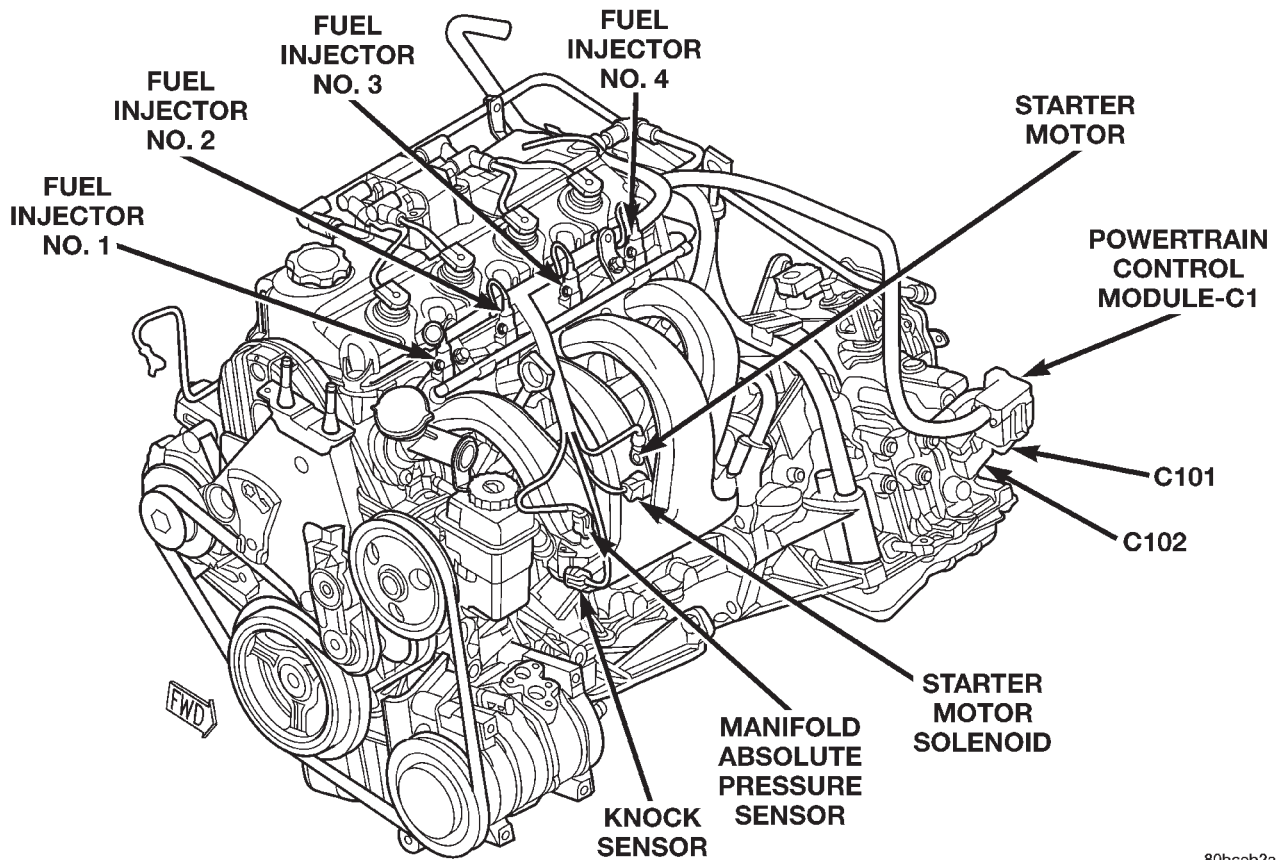
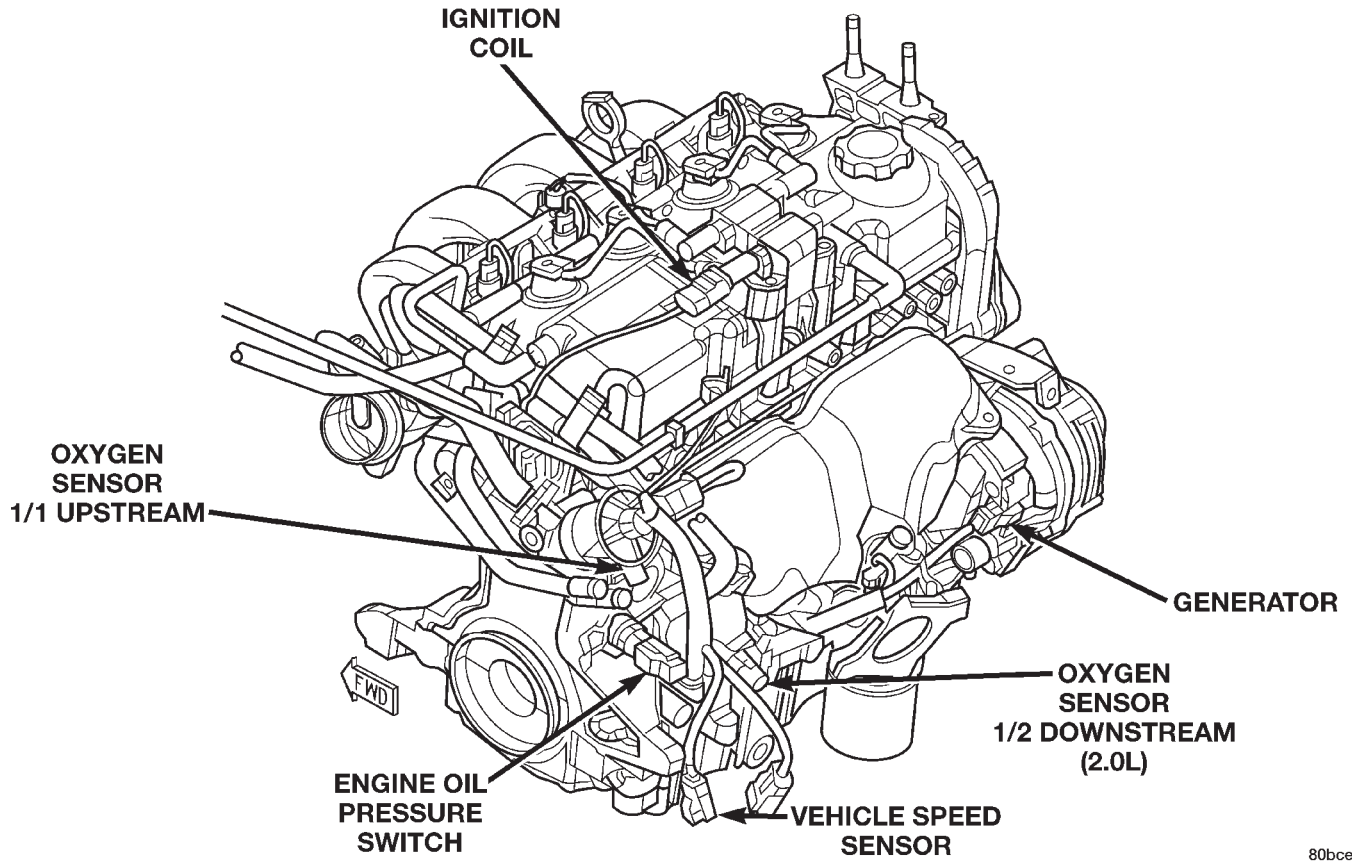


Fig. 21 Engine Connections—RHD

80bceb2a

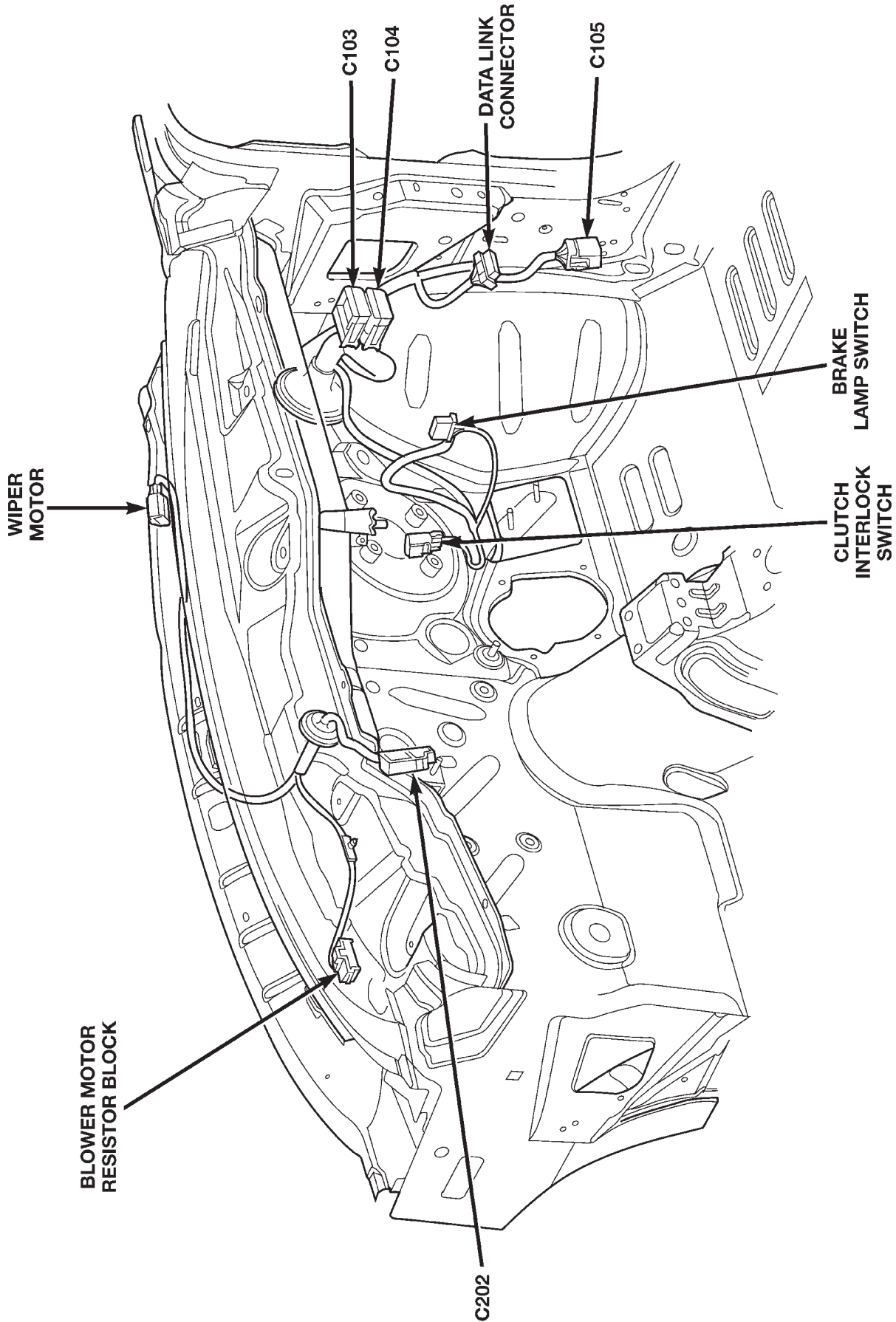
DESCRIPTION AND OPERATION (Continued)



80bceb2b

Fig. 22 Engine Connections—RHD

DESCRIPTION AND OPERATION (Continued)



80bbeb2c

Fig. 23 Dash Panel/Plenum Connections—RHD

DESCRIPTION AND OPERATION (Continued)

80bceb2d

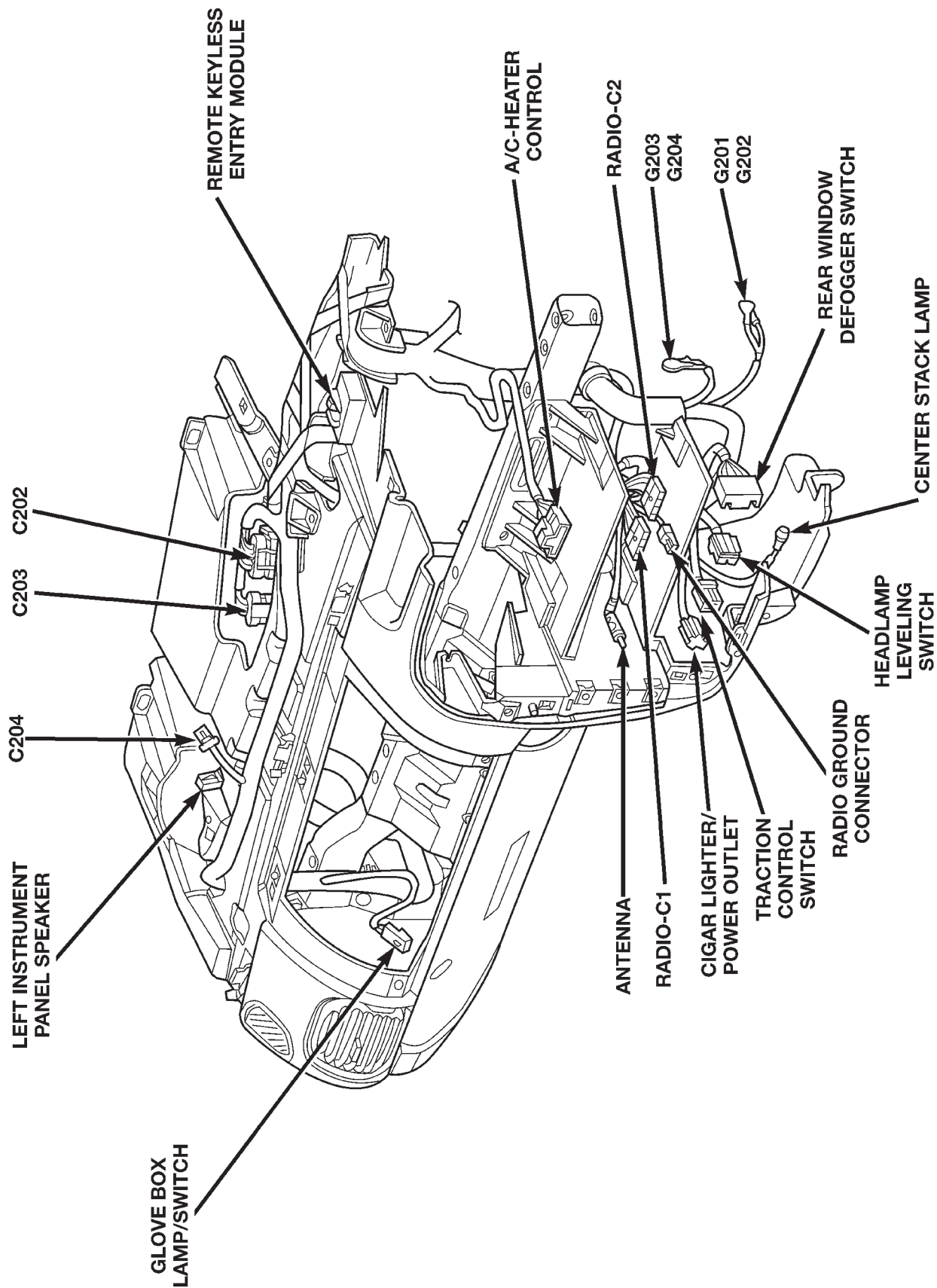
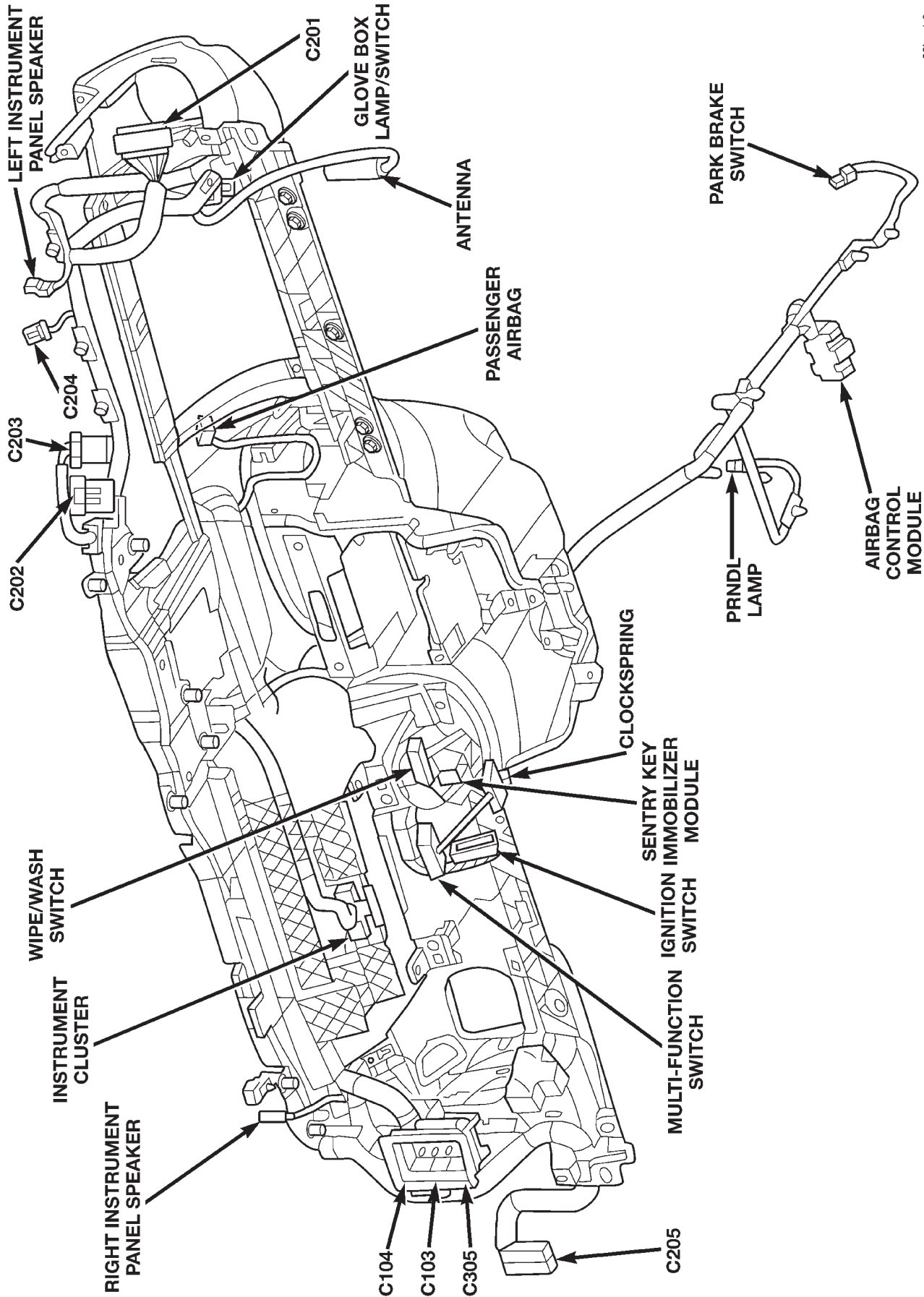


Fig. 24 Instrument Panel Connections—RHD

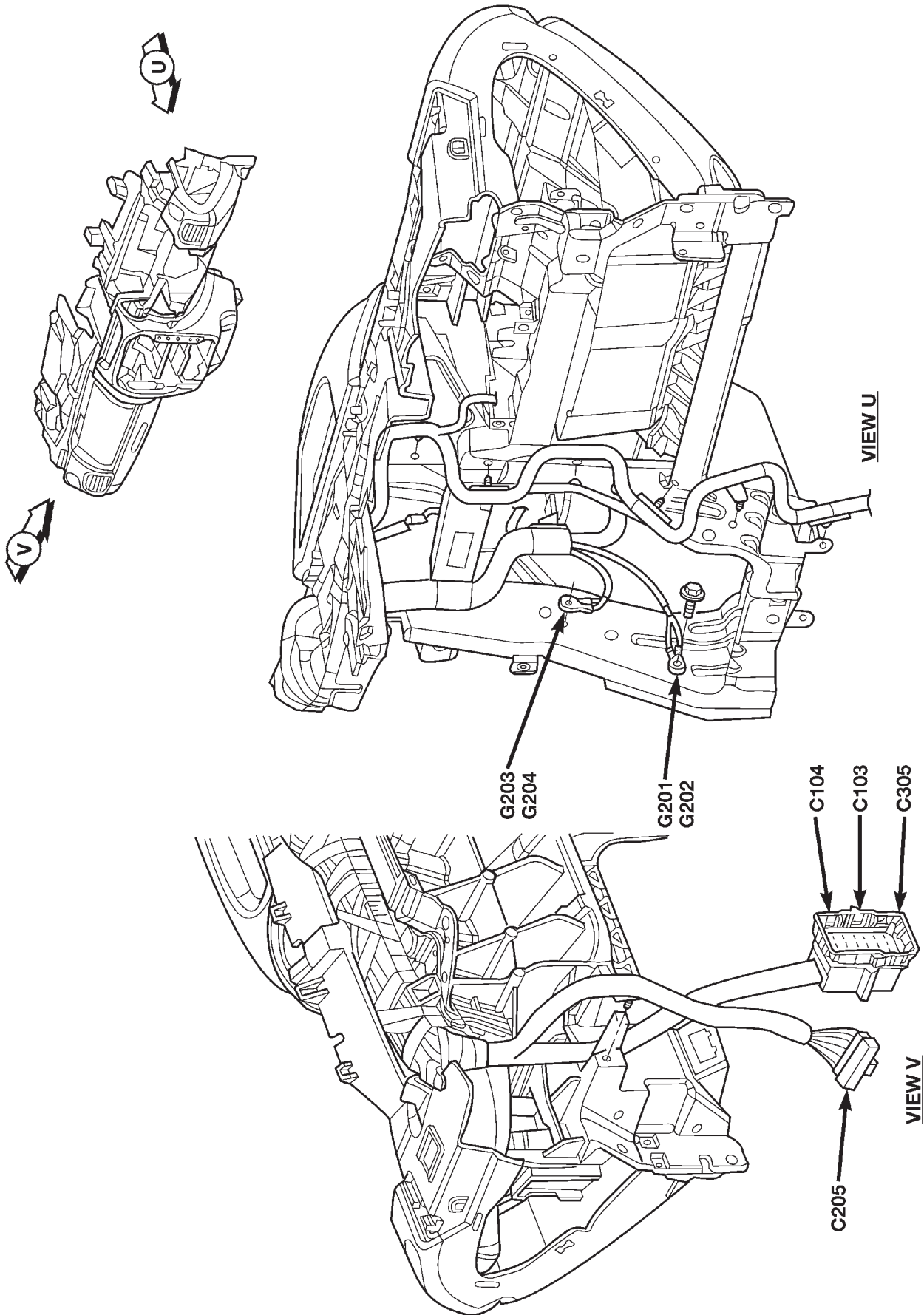
DESCRIPTION AND OPERATION (Continued)



80bceb2e

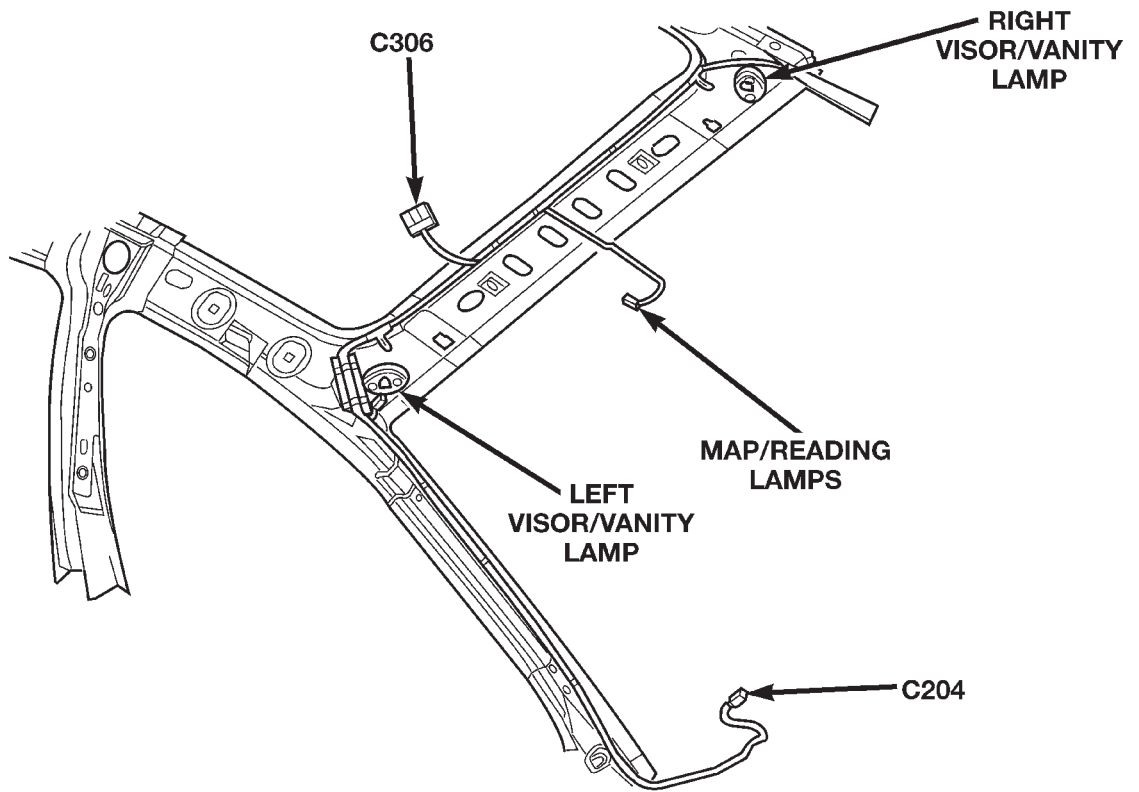
Fig. 25 Instrument Panel Connections—RHD

DESCRIPTION AND OPERATION (Continued)



80bceb2f

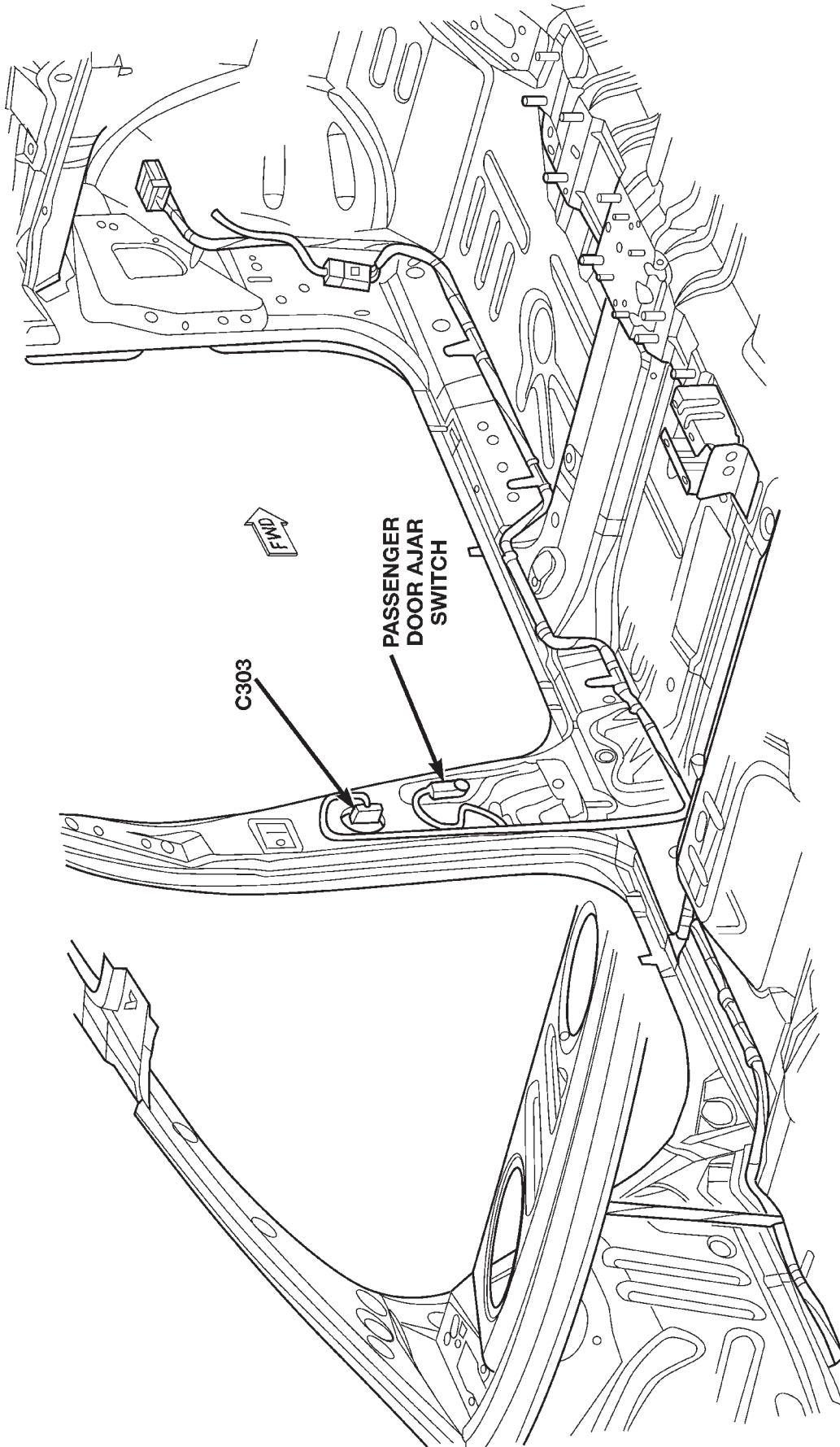
Fig. 26 Instrument Panel Connections—RHD



80bceb30

Fig. 27 Roof Connections—RHD

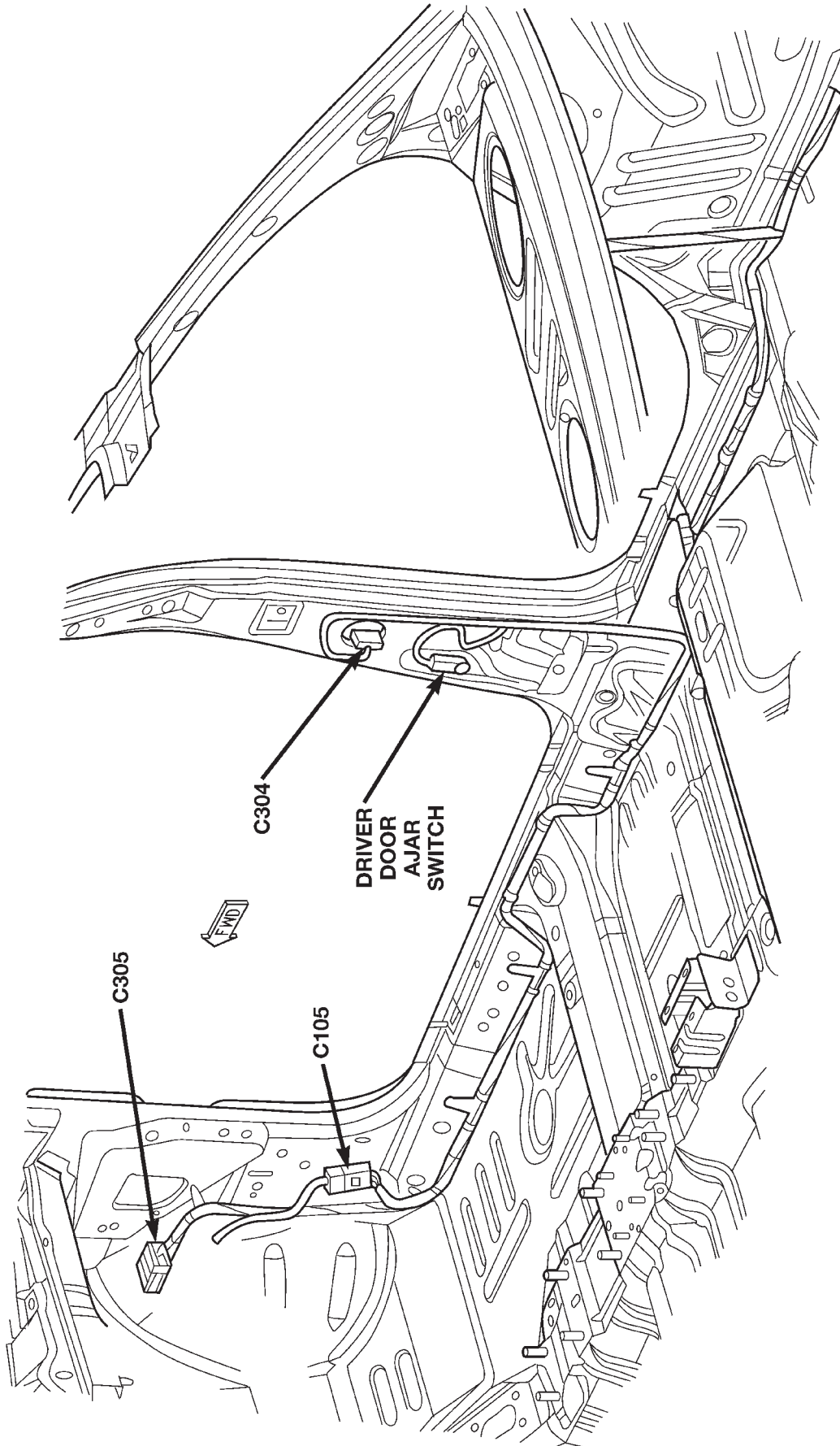
DESCRIPTION AND OPERATION (Continued)



80bcab31

Fig. 28 Body Connections—RHD

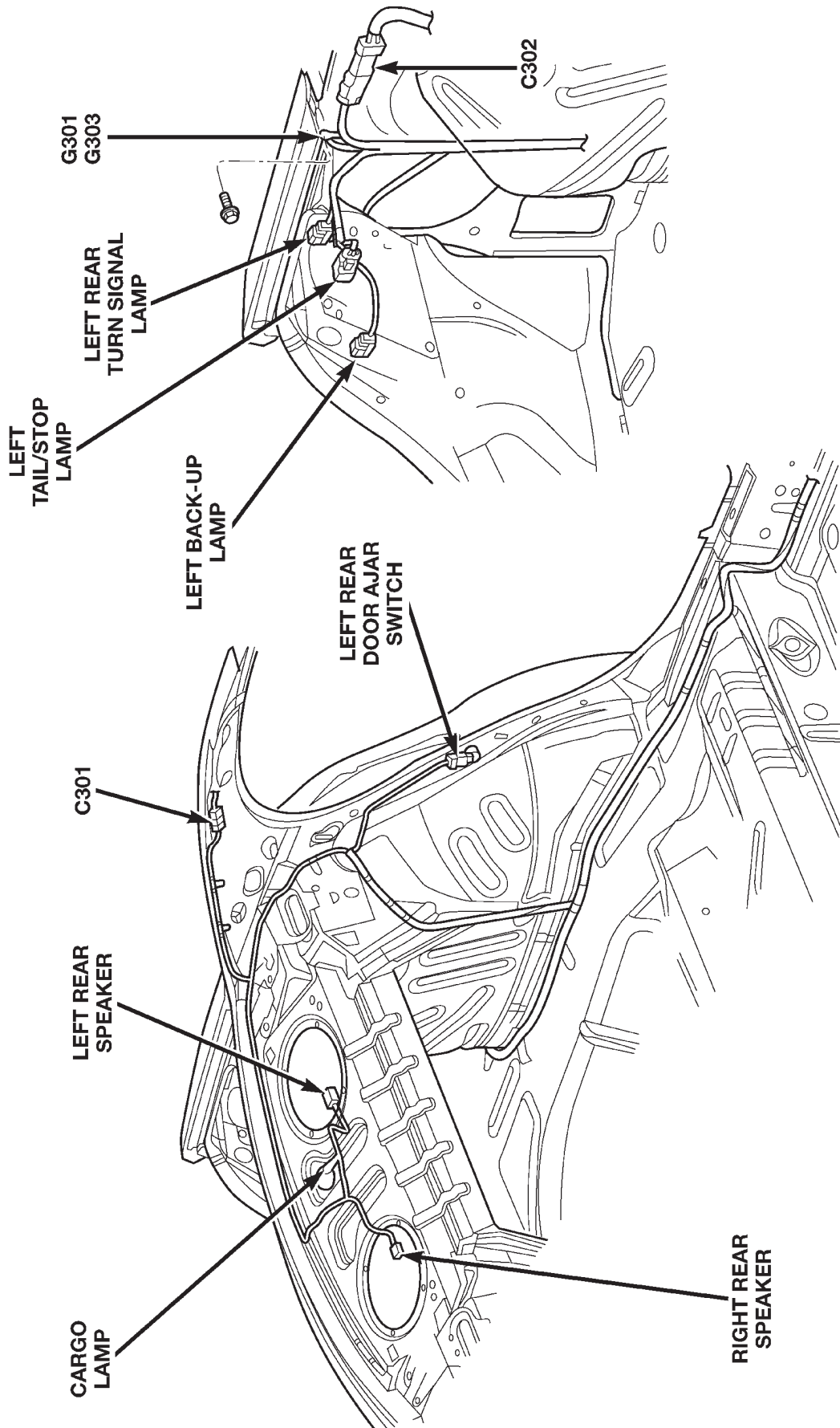
DESCRIPTION AND OPERATION (Continued)



80bceb32

Fig. 29 Body Connections—RHD

DESCRIPTION AND OPERATION (Continued)



80bbeb33

Fig. 30 Body Connections—RHD

DESCRIPTION AND OPERATION (Continued)

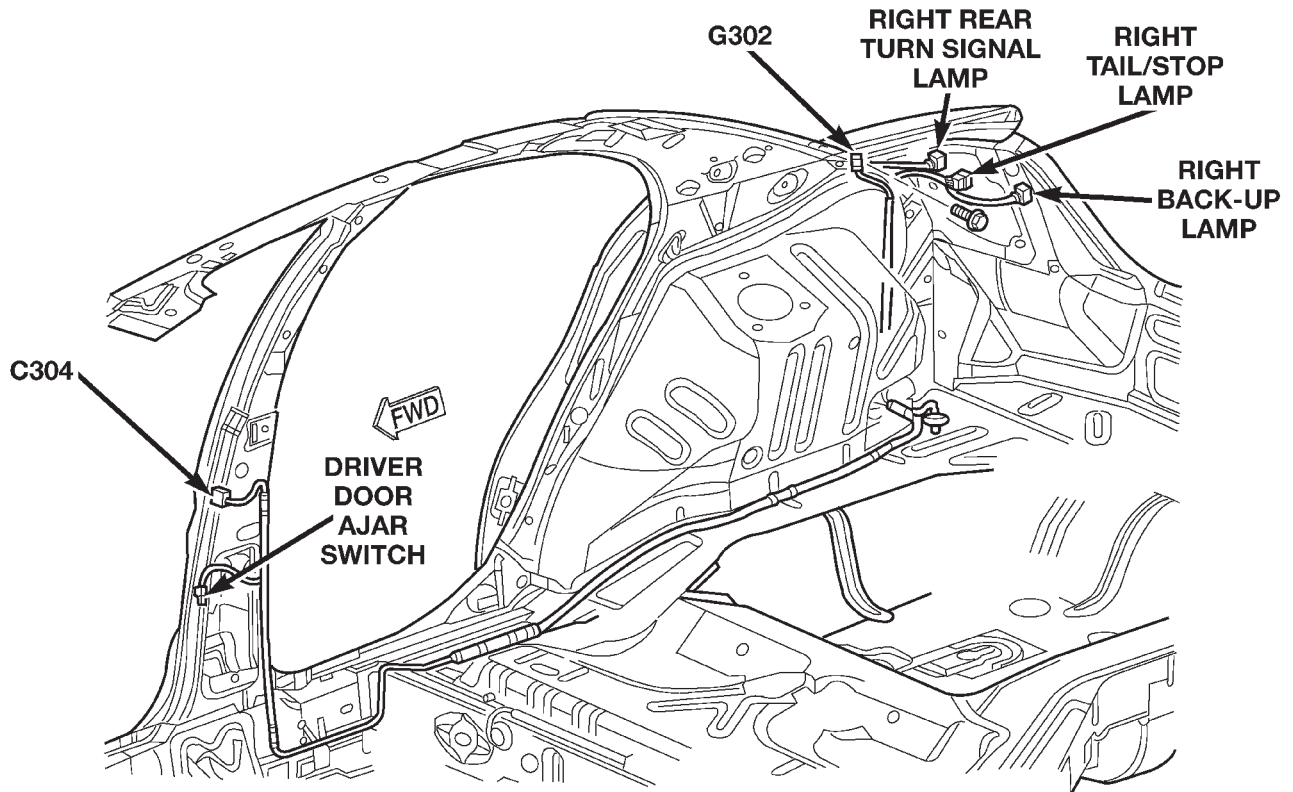


Fig. 31 Body Connections—RHD

80bceb34

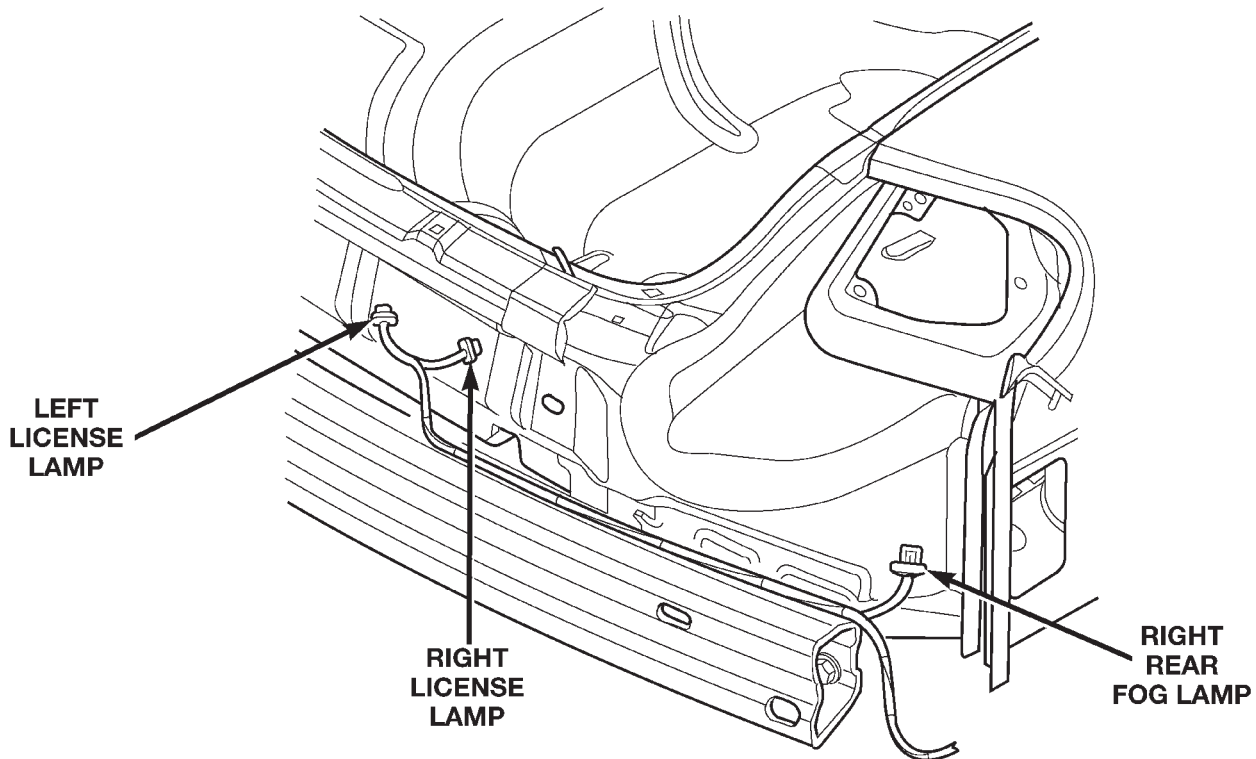


Fig. 32 Body Connections—RHD

80bceb35

DESCRIPTION AND OPERATION (Continued)

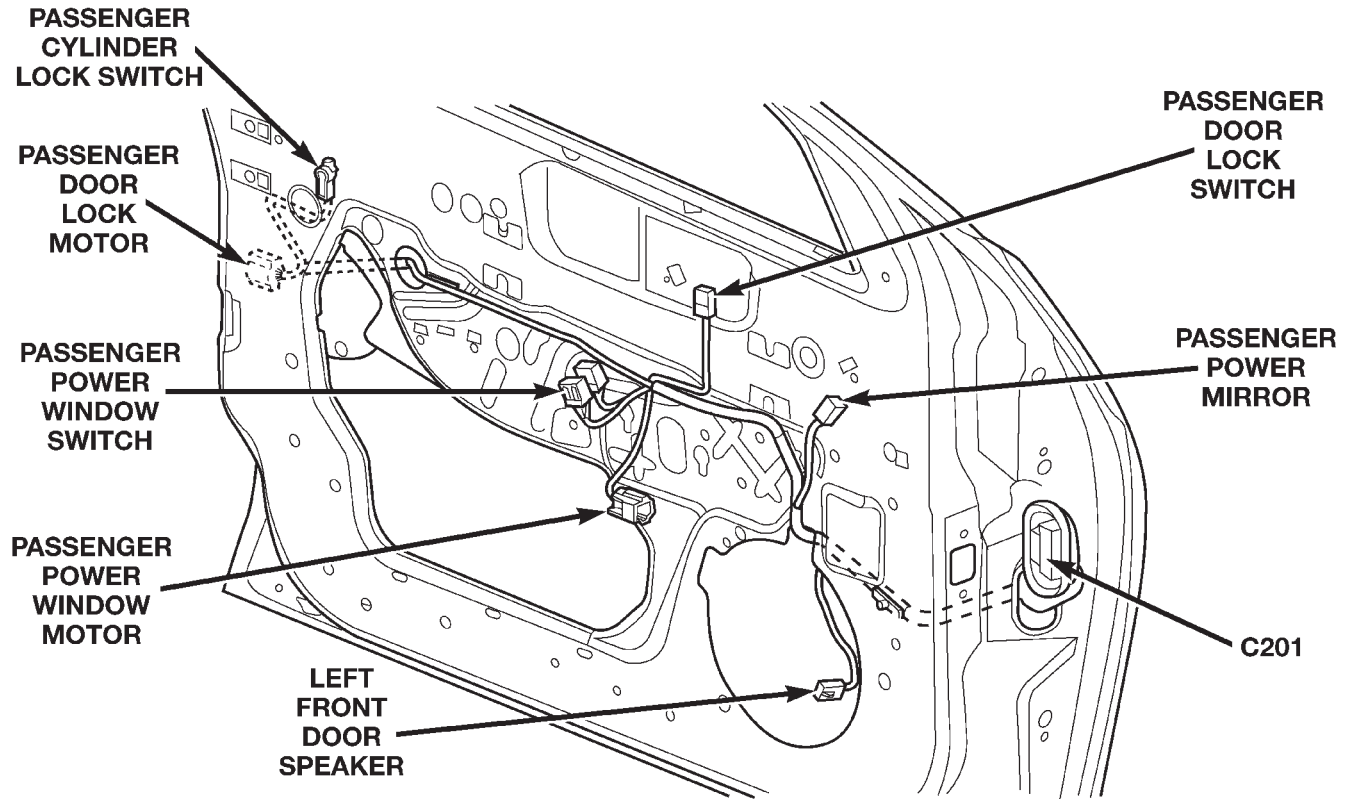


Fig. 33 Door Connections (Passenger)—RHD

80bceb36

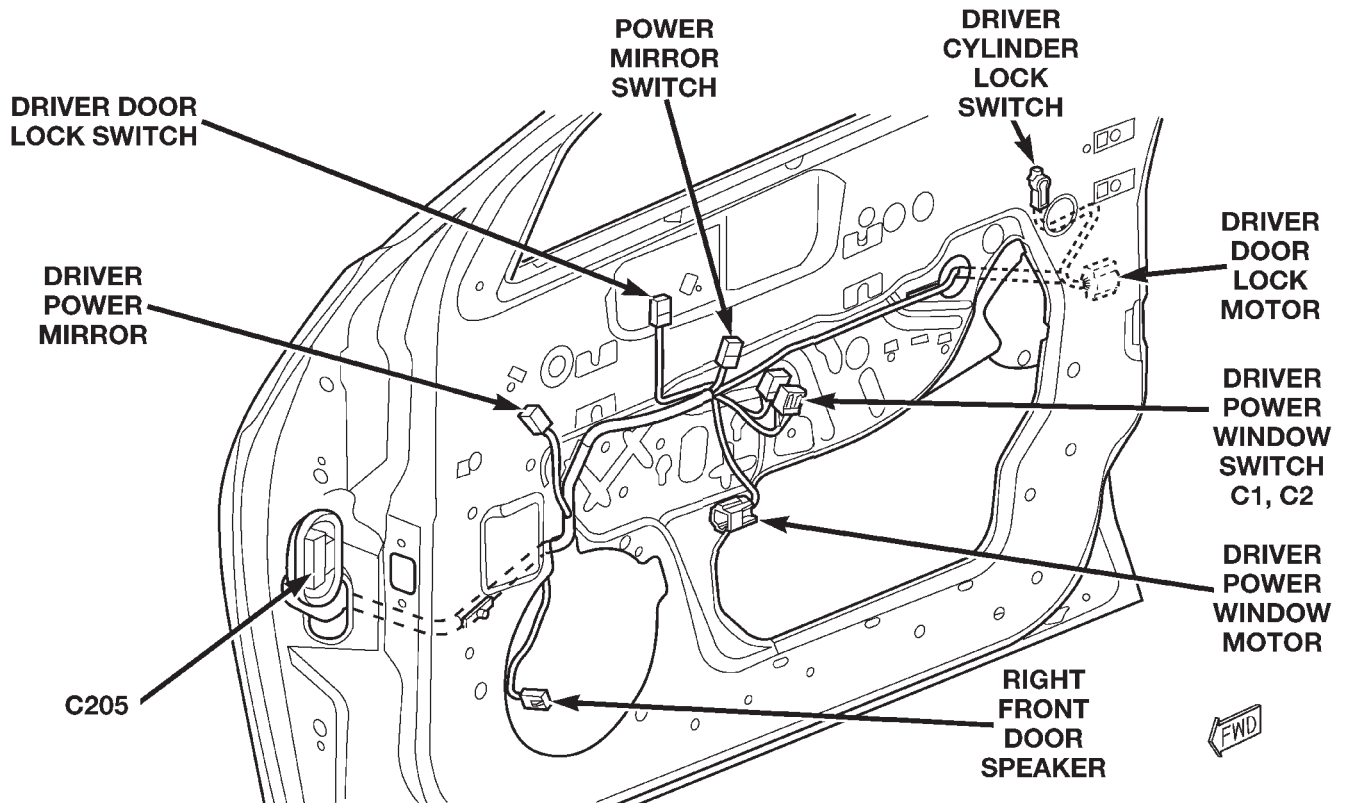
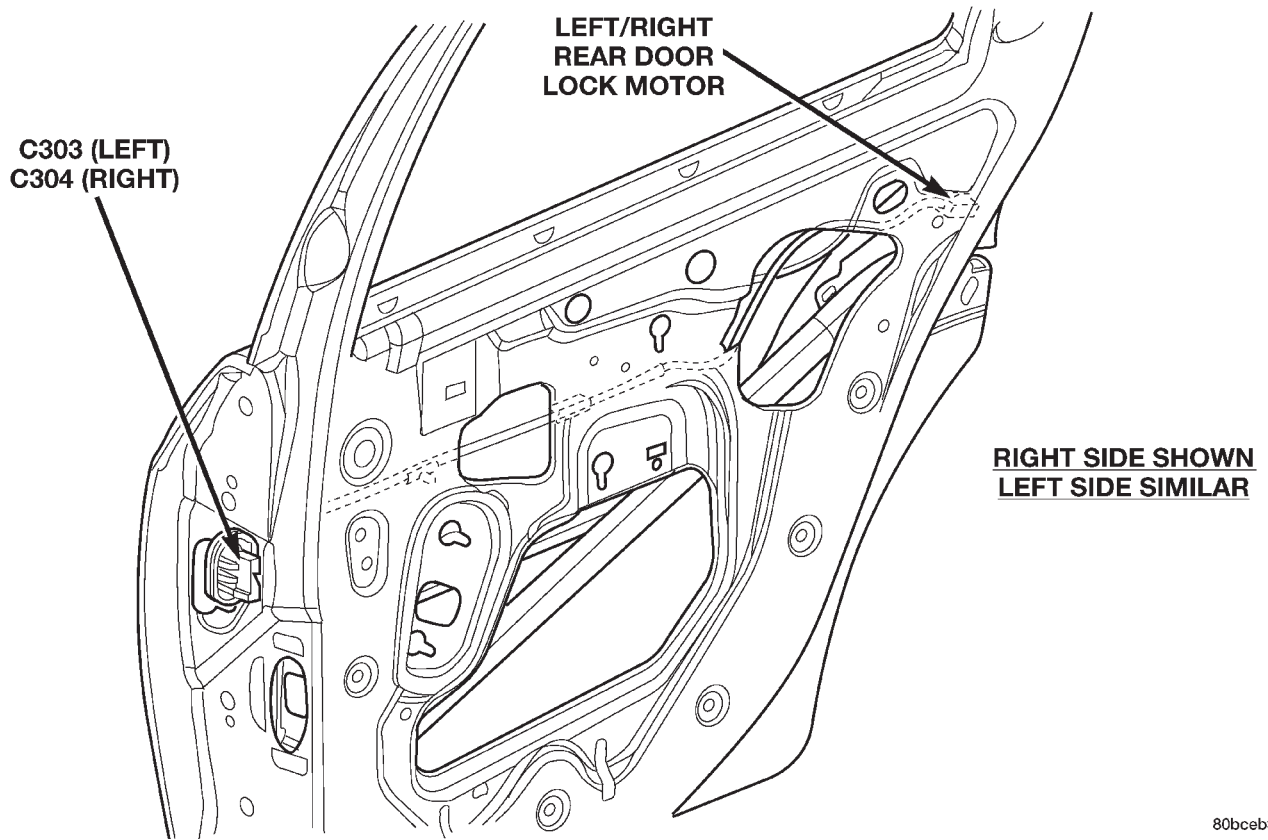


Fig. 34 Door Connections (Driver)—RHD

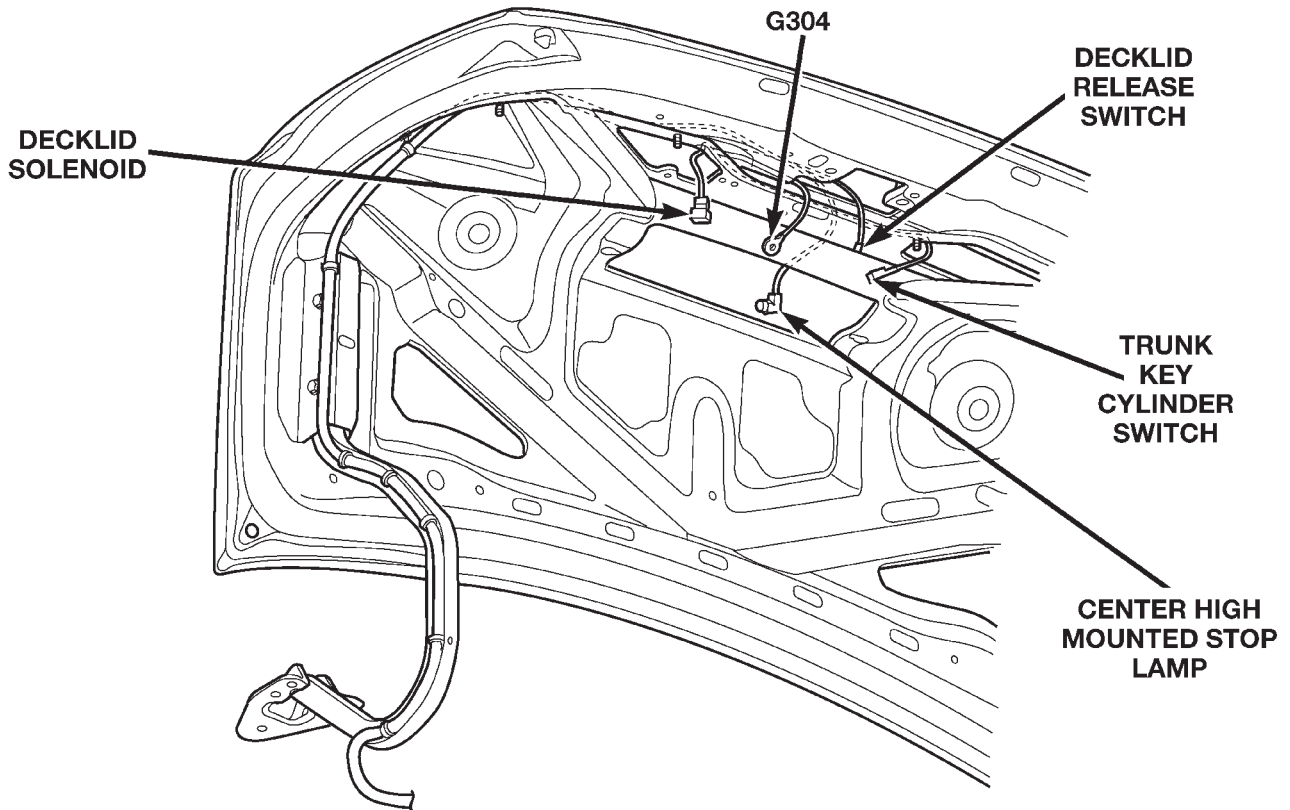
80bceb37

DESCRIPTION AND OPERATION (Continued)



80bceb38

Fig. 35 Door Connections (Rear)—RHD



80bceb39

Fig. 36 Decklid Connections—RHD

8W-95 SPLICE LOCATIONS

DESCRIPTION AND OPERATION

INTRODUCTION

This section provides illustrations identifying the general location of the splices in this vehicle. A splice index is provided. Use the wiring diagrams in each section for splice number identification. Refer to the index for proper splice number.

SPLICE LOCATIONS (LHD)

The following index covers all splices shown in the wiring diagrams. If a splice is not shown in this section, a N/S will be in the Fig. column.

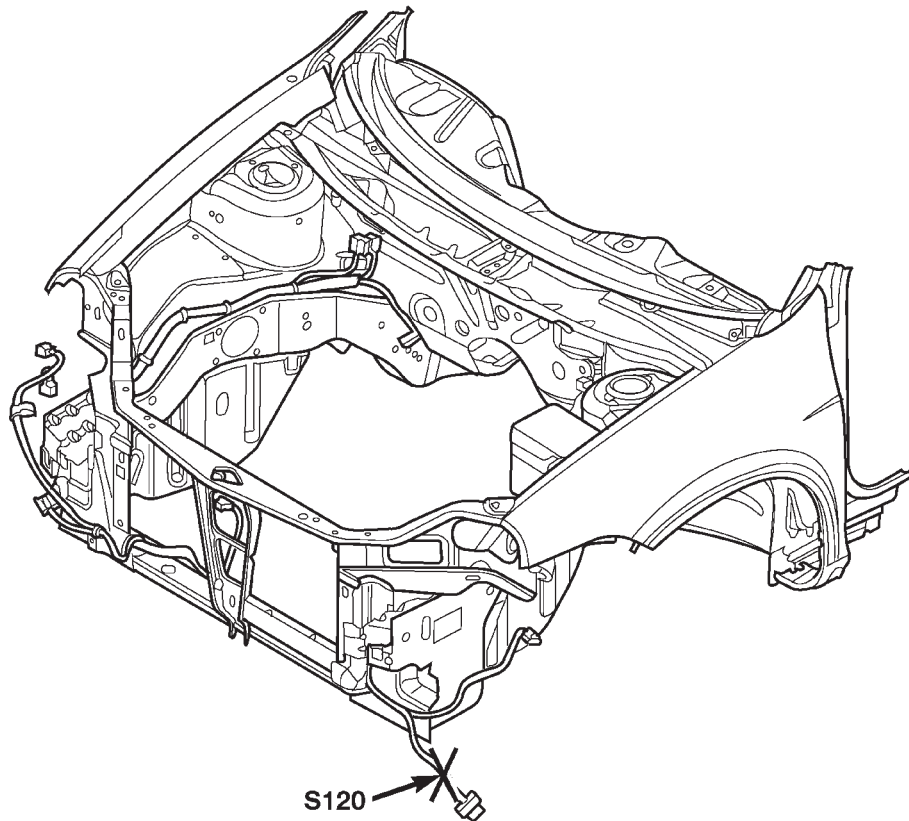
Splice	Location	Fig.
S102 (Except Built-Up-Export)	Near Left Headlamp T/O	2
S103	Left Side of Instrument Panel	3
S104	Left Side of Instrument Panel	3
S105 (Built-Up-Export)	Left Side of Instrument Panel	3
S106	Near Left Strut Tower	3
S107	Near A/C Low Pressure Switch T/O	3
S108	Near Controller Anti-Lock Brake	3
S109	Near Power Distribution Center	3
S110	Near Radiator Fan Motor T/O	3
S111 (Built-Up-Export)	Same as S102	2
S112	Near Back-Up Lamp Switch T/O	3
S113	Near Throttle Position Sensor T/O	3
S114	Near Throttle Position Sensor T/O	3
S116 (Built-Up-Export)	Near C110 T/O	3
S117	Near Right Front Side Marker or Right Repeater Lamp T/O	2
S118	Near Powertrain Control Module - C2 T/O	3

Splice	Location	Fig.
S119	Near Radiator Fan Motor T/O	3
S120 (Built-Up-Export)	Near Siren T/O	1
S121	Near Fuel Injector NO. 4 T/O	4
S122	Near Engine Oil Pressure Switch T/O	5
S123	Near Crankshaft Position Sensor T/O	5
S125	Near Manifold Absolute Pressure Sensor T/O	4
S129 (2.0L)	Near Noise Suppressor T/O	5
S130	Near Ignition Coil T/O	5
S131	Near Left Headlamp T/O	2
S132	Near Left Strut Tower	3
S141	Near High Note Horn T/O	N/S
S142	Near High Note Horn T/O	N/S
S201	Near Right Instrument Panel Speaker T/O	6
S202	Near C202 and C203 T/O	6
S203	Near C202 and C203 T/O	6
S204	In C202 and C203 T/O	6
S205	Near C202 and C203 T/O	6
S206	Near Center of Instrument Panel	6
S207	Near Center of Instrument Panel	6
S208	Near Instrument Cluster T/O	6

DESCRIPTION AND OPERATION (Continued)

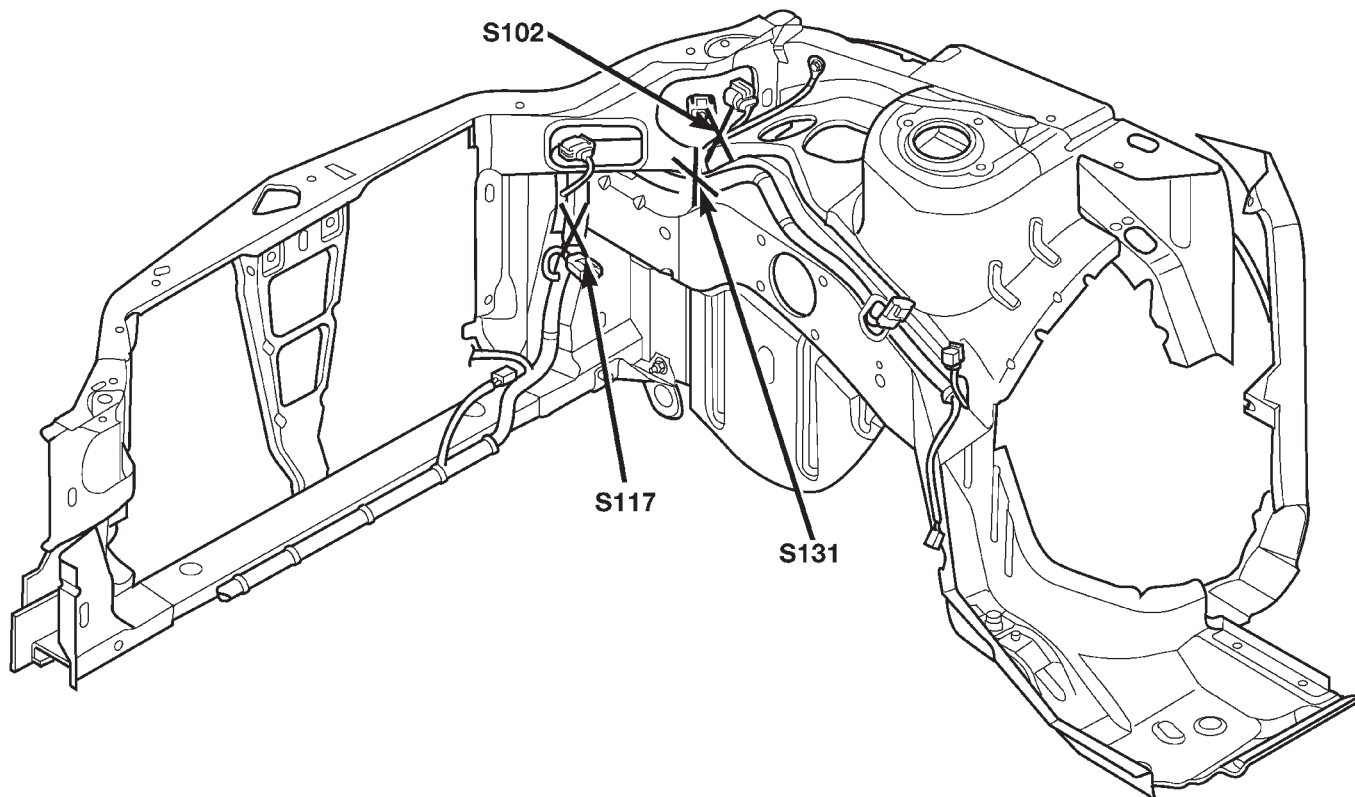
Splice	Location	Fig.	Splice	Location	Fig.
S209	Between Grounds G202, G203 and Brake Shift Interlock Solenoid	N/S	S241	Near Driver Power Window Motor T/O	12
S211	Near Instrument Cluster T/O	6	S242	Near Driver Power Mirror T/O	12
S212	Near Instrument Cluster T/O	6	S251	Near Left Visor/Vanity Lamp T/O	7
S213	Near Instrument Cluster T/O	6	S252	Near Left Visor/Vanity Lamp T/O	7
S214	Near Instrument Cluster T/O	6	S301	Near Fuel Pump Module T/O	N/S
S215	Near Instrument Cluster T/O	6	S302	Near Left Rear Door Opening	8
S216	Left Side of Instrument Panel	6	S303	Near Left Rear Door Opening	8
S217	Left Side of Instrument Panel	6	S304	Near Left Rear Door Opening	8
S218	Left Side of Instrument Panel	6	S305	Under Rear Seat	8
S219	Left Side of Instrument Panel	6	S306	Under Rear Seat	8
S220	Left Side of Instrument Panel	6	S307 (Built-Up-Export)	Near Right Rear Door Opening	9
S221	Left Side of Instrument Panel	6	S308 (Built-Up-Export)	Below Left Rear Door Opening	8
S222	Left Side of Instrument Panel	6	S309	Near Rear Window Defogger Ground T/O	10
S223 (Built-Up-Export)	Left Side of Instrument Panel	6	S310	Near G302 T/O	11
S224	Near Left Instrument Panel Speaker T/O	6	S311	Near G301 and G303 T/O	10
S225	Near Left Instrument Panel Speaker T/O	6	S312	Near Center High Mounted Stop Lamp T/O	13
S226	Near Left Instrument Panel Speaker T/O	6	S351	Near Sunroof Motor T/O	N/S
S240	Near Driver Power Mirror T/O	12	S352	Near Sunroof Switch T/O	N/S

DESCRIPTION AND OPERATION (Continued)



80bceb3a

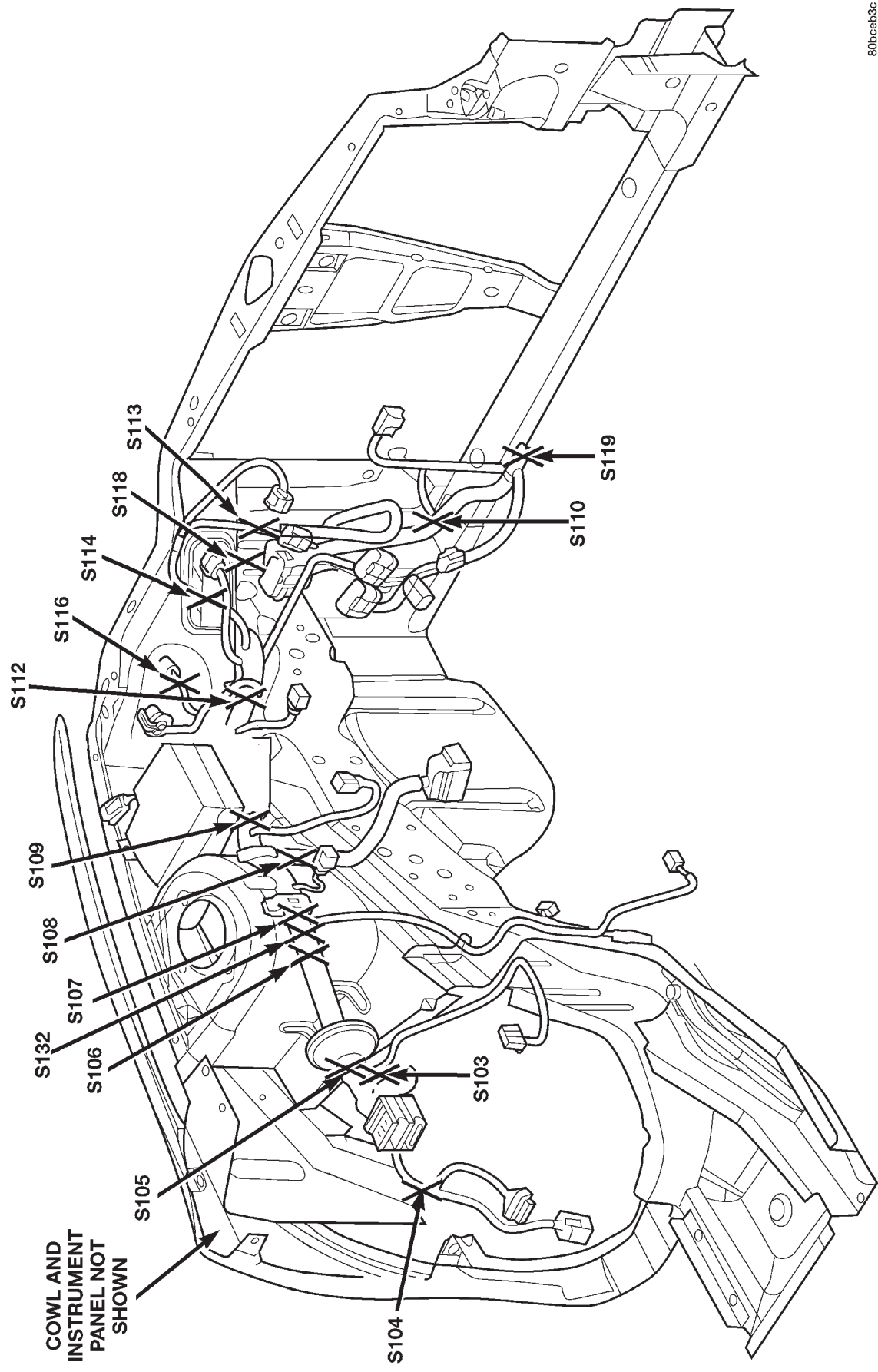
Fig. 1 Engine Compartment Splices (Front)—LHD



80bceb3b

Fig. 2 Engine Compartment Splices (Right Side)—LHD

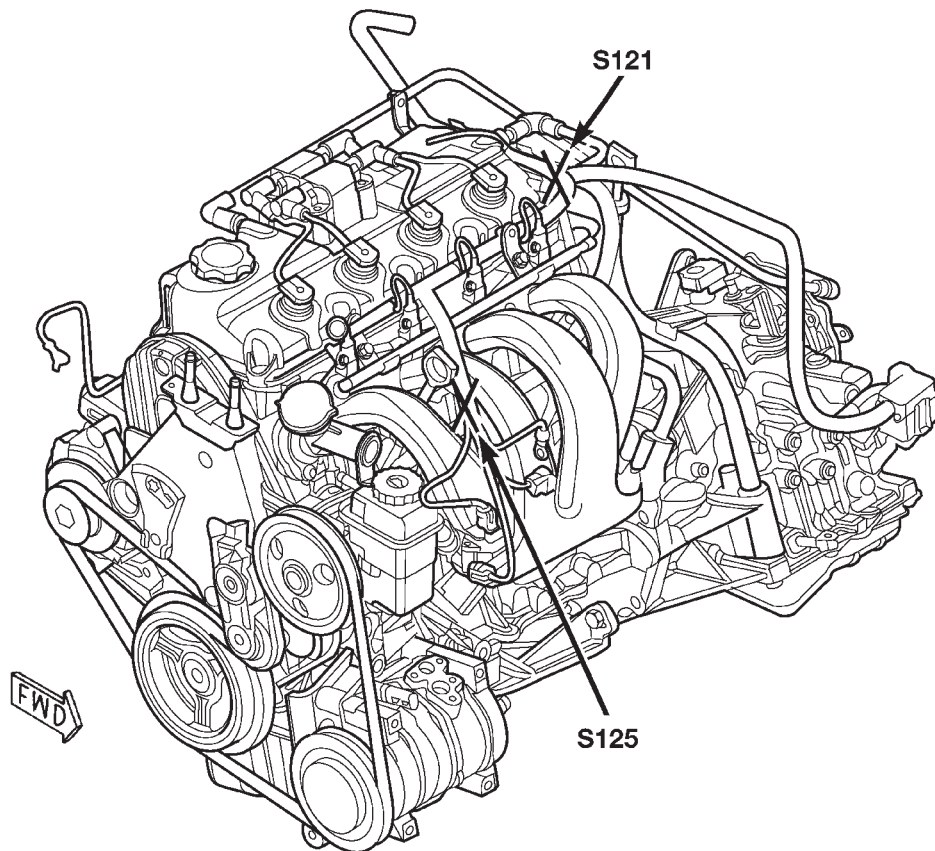
DESCRIPTION AND OPERATION (Continued)



80bcab3c

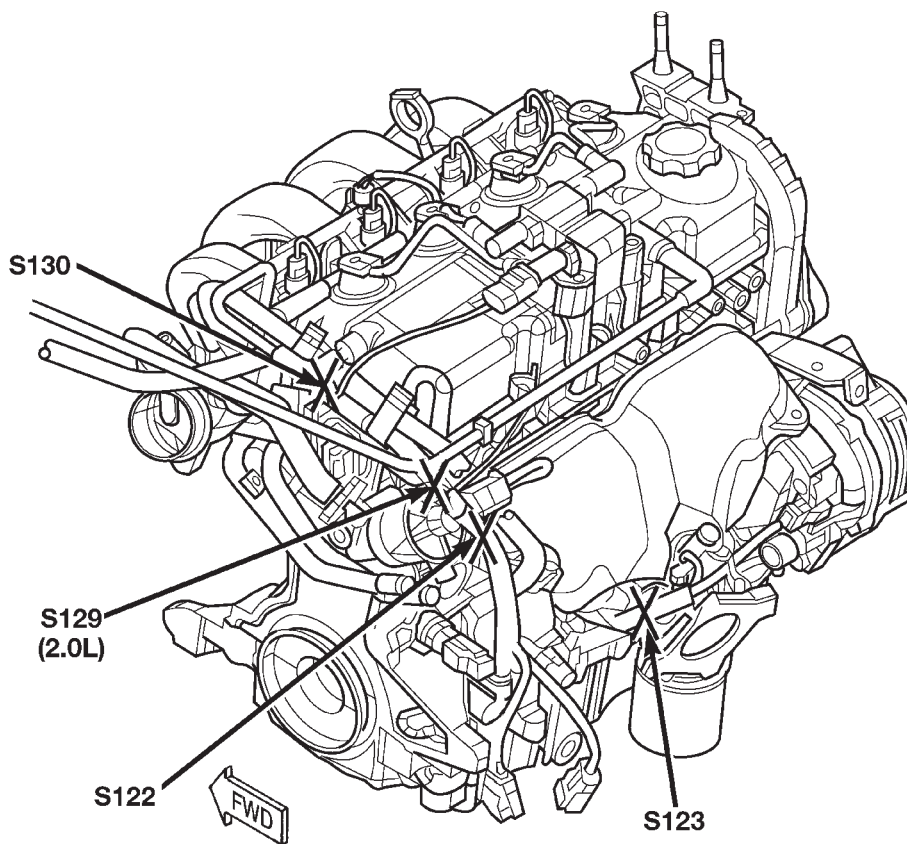
Fig. 3 Engine Compartment Splices (Left Side)—LHD

DESCRIPTION AND OPERATION (Continued)



80bceb3e

Fig. 4 Engine Splices—LHD



80bceb3f

Fig. 5 Engine Splices—LHD

DESCRIPTION AND OPERATION (Continued)

80bceb40

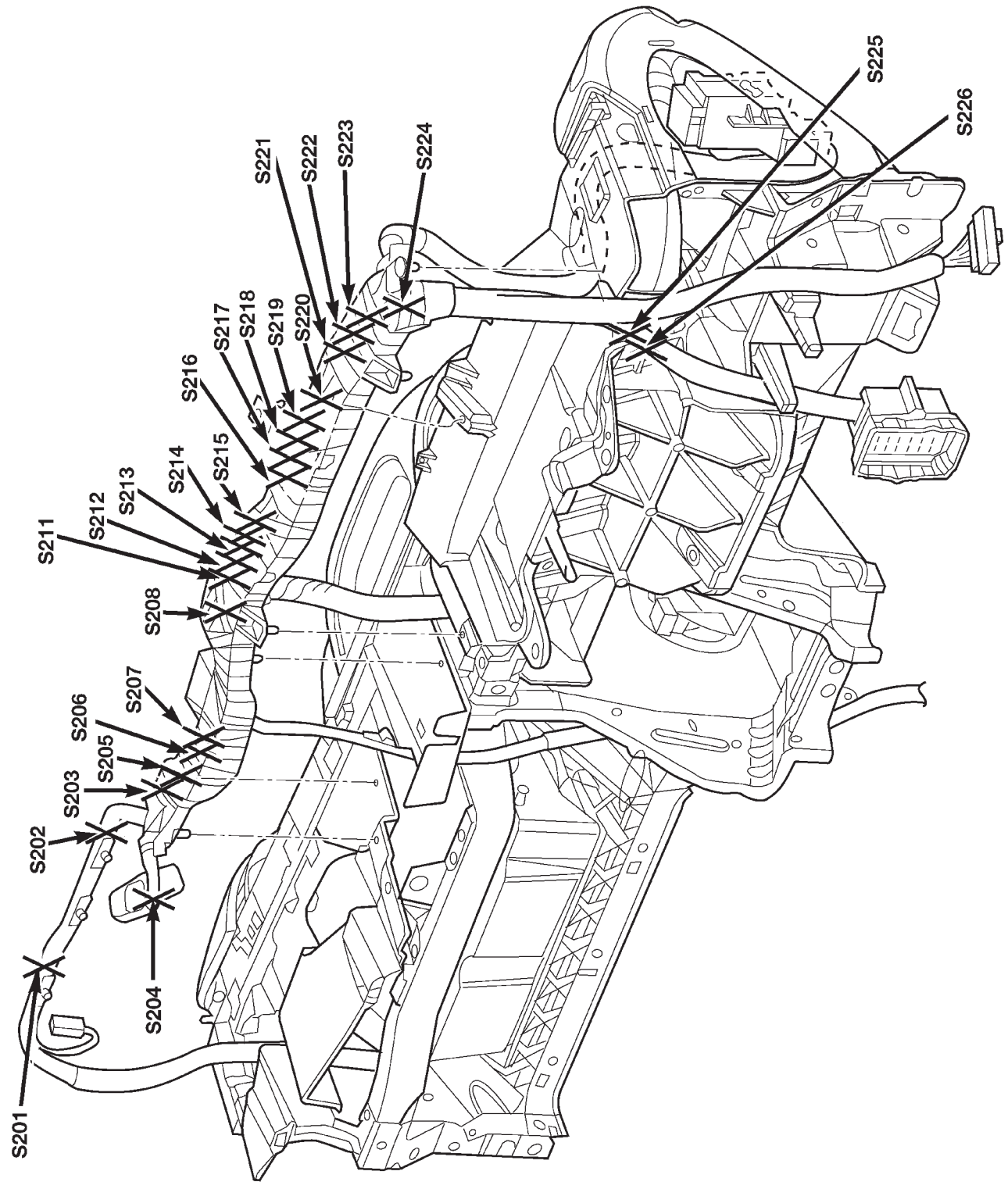
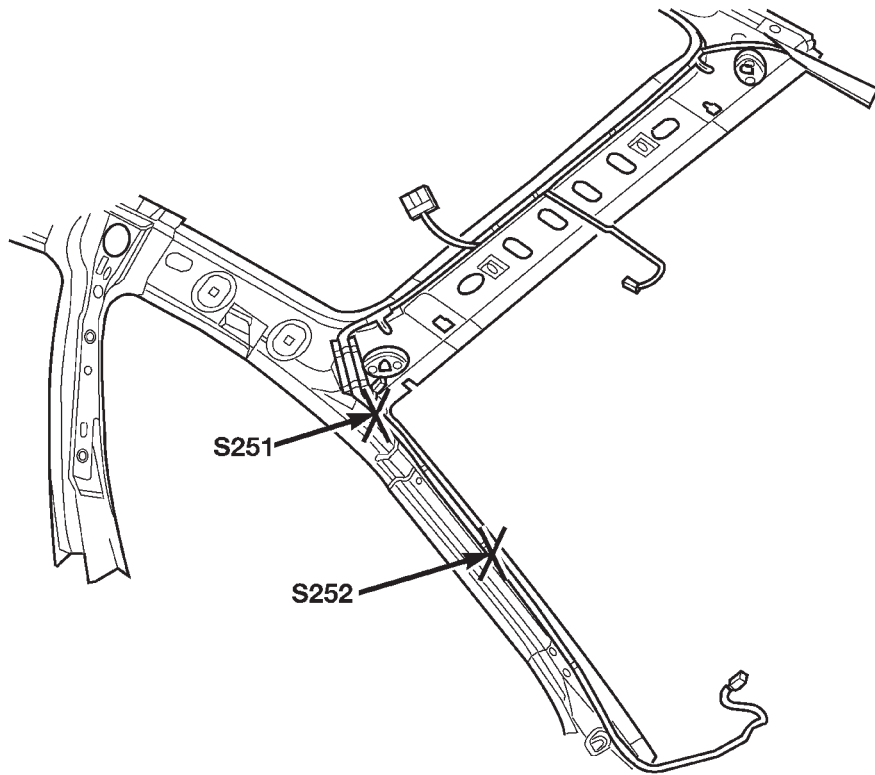


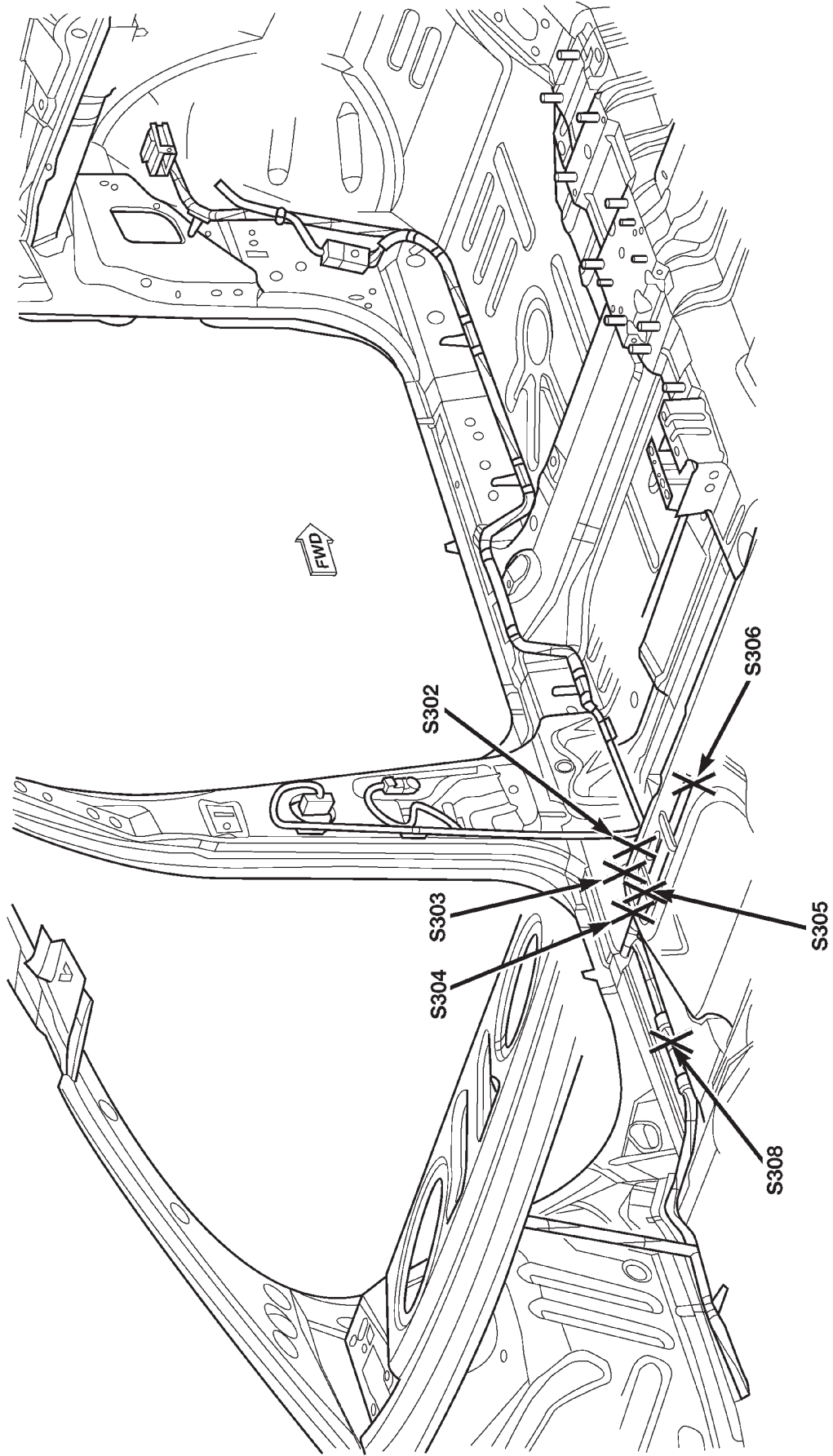
Fig. 6 Instrument Panel Splices—LHD



80bceb41

Fig. 7 Roof Splices—LHD

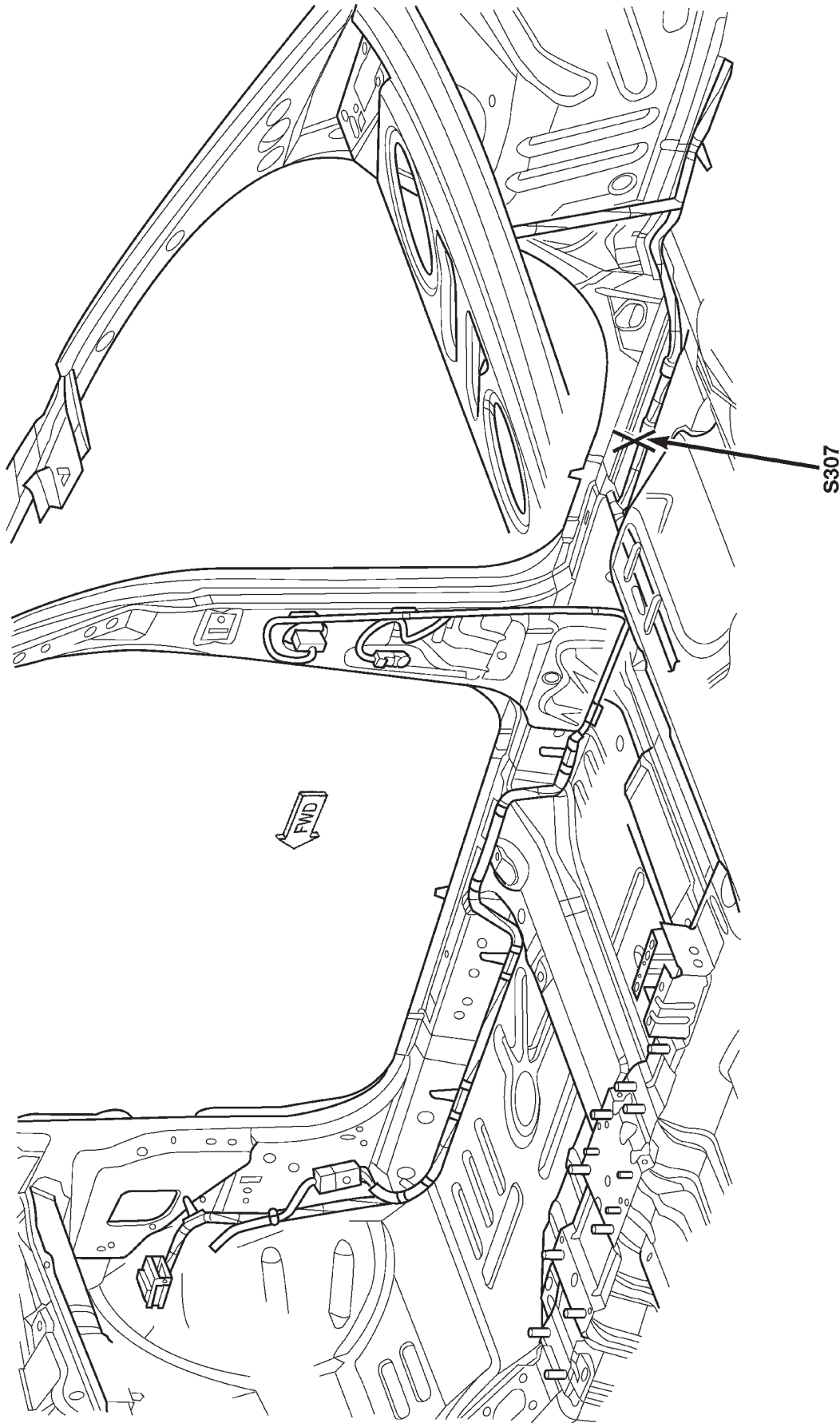
DESCRIPTION AND OPERATION (Continued)



80bcab42

Fig. 8 Body Splices—LHD

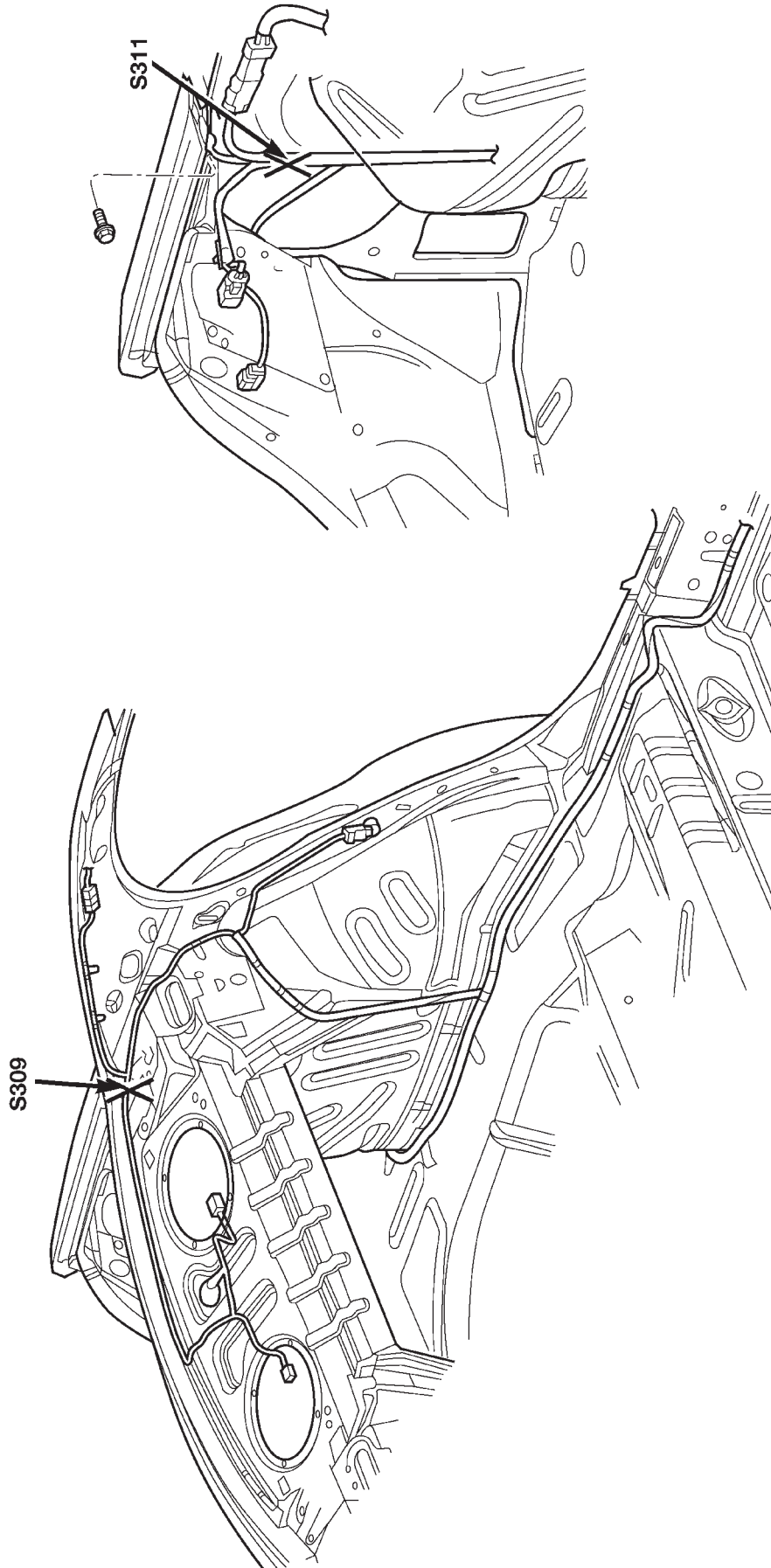
DESCRIPTION AND OPERATION (Continued)



80bceb43

Fig. 9 Body Splices—LHD

DESCRIPTION AND OPERATION (Continued)



80bceb44

Fig. 10 Body Splices—LHD

DESCRIPTION AND OPERATION (Continued)

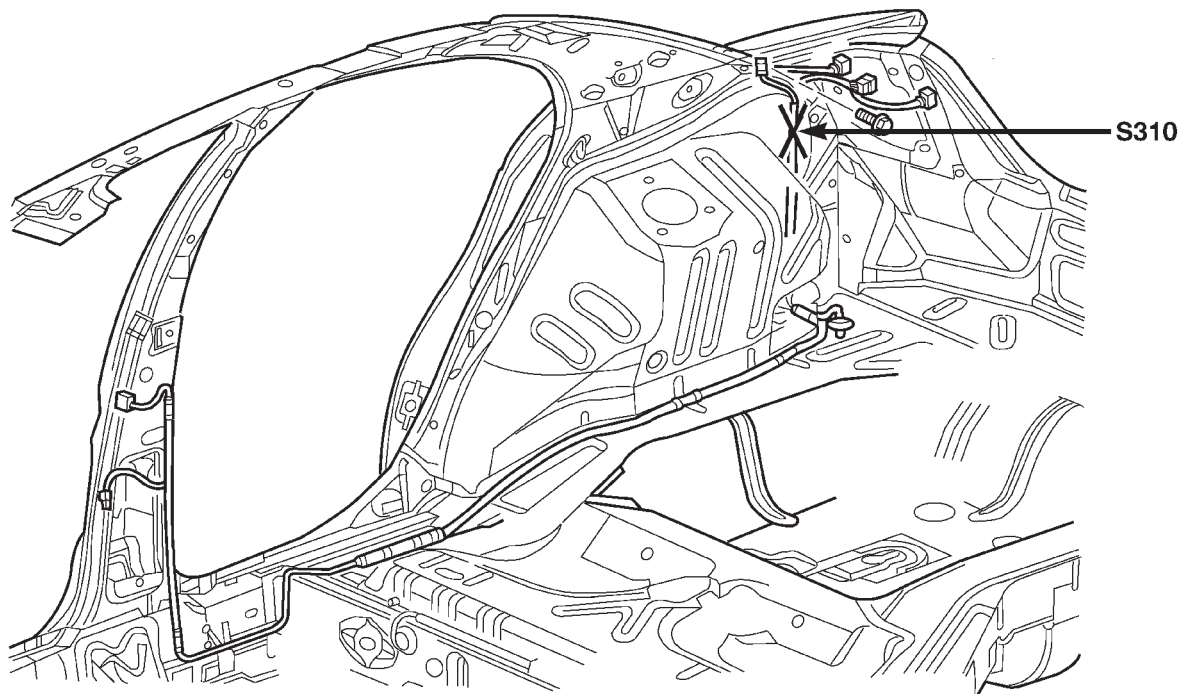


Fig. 11 Body Splices—LHD

80bceb45

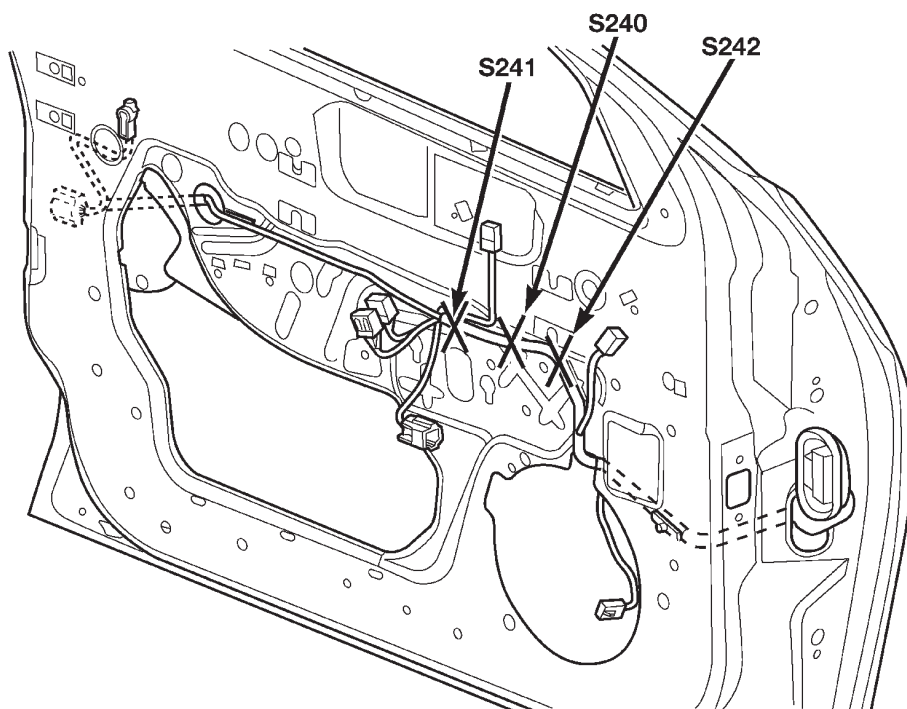
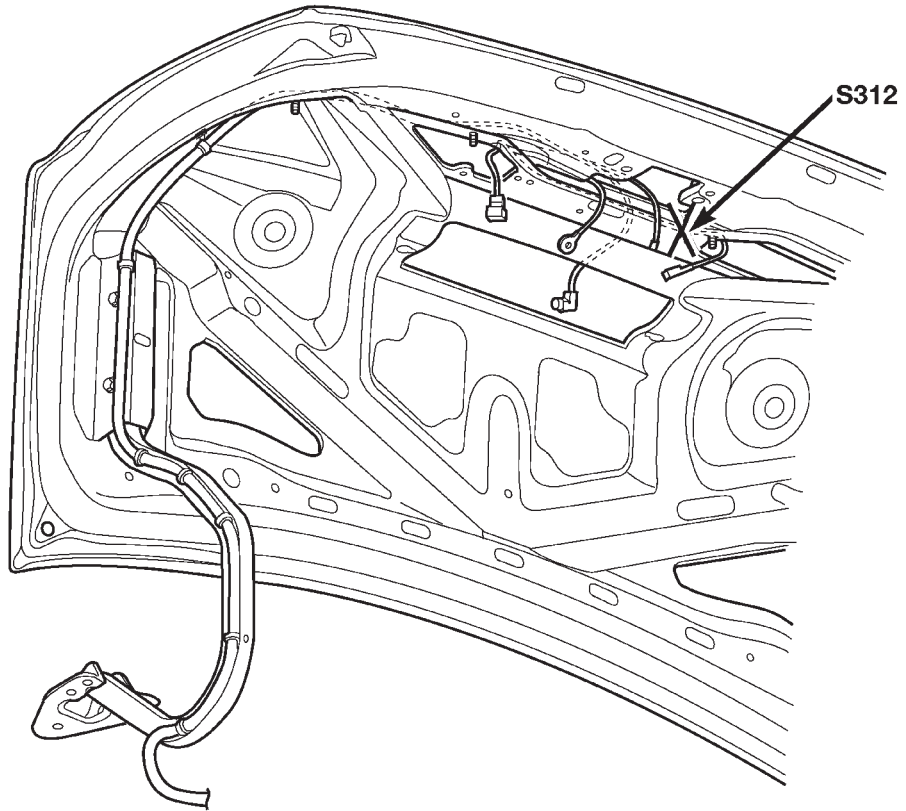


Fig. 12 Door Splices—LHD

80bceb46

DESCRIPTION AND OPERATION (Continued)



80bceb47

Fig. 13 Decklid Splices—LHD

DESCRIPTION AND OPERATION (Continued)

SPLICE LOCATIONS (RHD)

The following index covers all splices shown in the wiring diagrams. If a splice is not shown in this section, a N/S will be in the Fig. column.

Splice	Location	Fig.
S103	Near C104 and C103 T/O	19
S104	In Data Link Connector T/O	19
S105	Near Grommet	19
S106	Near Left Strut Tower	16
S107	Near Brake Warning Indicator Switch T/O	16
S108	In Controller Anti-Lock Brake T/O	16
S109	Near Power Distribution Center	16
S110	Near Radiator Fan Motor T/O	16
S111	Near Left Headlamp T/O	15
S112	Near Left Strut Tower	16
S113	Near Throttle Position Sensor T/O	16
S114	Near Idle Air Control Motor T/O	16
S116	Near C110 T/O	16
S117	Near Repeater Lamp T/O	15
S118	Near Powertrain Control Module - C2 T/O	16
S119	Near A/C High Pressure Switch T/O	16
S120	Near Siren T/O	14
S121	Near Fuel Injector NO. 4 T/O	17
S122	Near Engine Oil Pressure Switch T/O	18
S123	Near Crankshaft Position Sensor T/O	18
S125	Near Manifold Absolute Pressure Sensor T/O	17
S129 (2.0L)	Near Noise Suppressor T/O	18
S130	Near Ignition Coil T/O	18
S131	Right Front of Engine Compartment	15
S132	Near Left Strut Tower	16

Splice	Location	Fig.
S141	Near High Note Horn T/O	N/S
S142	Near High Note Horn T/O	N/S
S201	Near Left Instrument Panel Speaker	20
S202	Left Side of Instrument Panel	20
S203	Left Side of Instrument Panel	20
S204	Near C202 T/O	20
S205	Left Side of Instrument Panel	20
S206	Left Side of Instrument Panel	20
S207	Near Instrument Cluster T/O	20
S208	Near Instrument Cluster T/O	20
S209	Near Brake Shift Interlock Solenoid T/O	N/S
S211	Near Right Instrument Panel Speaker T/O	20
S212	Near Instrument Cluster T/O	20
S213	Near Instrument Cluster T/O	20
S214	Near Instrument Cluster T/O	20
S215	Near Right Instrument Panel Speaker T/O	20
S216	Near Right Instrument Panel Speaker T/O	20
S217	Near Right Instrument Panel Speaker T/O	20
S218	Near Right Instrument Panel Speaker T/O	20
S219	Near Right Instrument Panel Speaker T/O	20
S220	Near Right Instrument Panel Speaker T/O	20
S221	Near Right Instrument Panel Speaker T/O	20

DESCRIPTION AND OPERATION (Continued)

Splice	Location	Fig.	Splice	Location	Fig.
S222	Near Right Instrument Panel Speaker T/O	20	S302	Near Right Door Opening	23
S223	Near Right Instrument Panel Speaker T/O	20	S303	Near Right Door Opening	23
S224	Near Right Instrument Panel Speaker T/O	20	S304	Near Right Door Opening	23
S225	Near Instrument Cluster T/O	20	S305	Under Rear Seat	22
S226	In C103, C104 and C305 T/O	20	S306	Under Rear Seat	23
S240	Near Driver Power Window Motor T/O	26	S307	Near Right Rear Door Opening	23
S241	Near Driver Power Window Motor T/O	26	S308	Near Left Rear Door Opening	22
S242	Near Driver Power Mirror T/O	26	S309	Near Rear Window Defogger Ground T/O	24
S251	Near Left Visor/Vanity Lamp T/O	21	S310	Near G302 T/O	25
S252	Near Left Visor/Vanity Lamp T/O	21	S311	Near G301 and G303 T/O	24
S301	Near Fuel Pump Module T/O	N/S	S312	Near Center High Mounted Stop Lamp T/O	27
			S351	Near Sunroof Motor T/O	N/S
			S352	Near Sunroof Switch T/O	N/S

DESCRIPTION AND OPERATION (Continued)

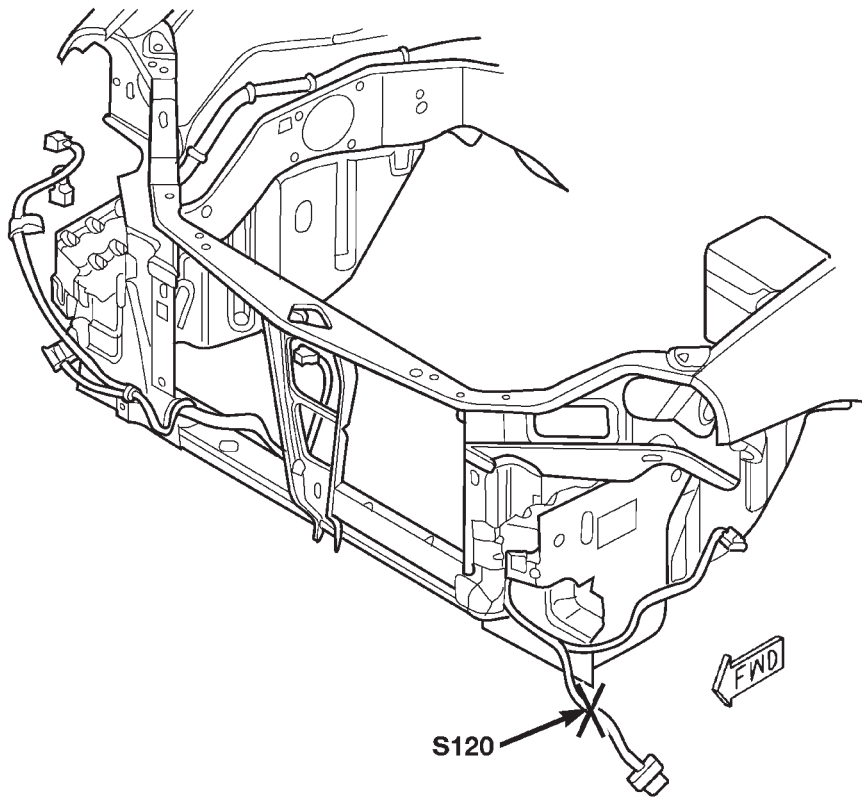


Fig. 14 Engine Compartment Splices (Front)—RHD

80bceb48

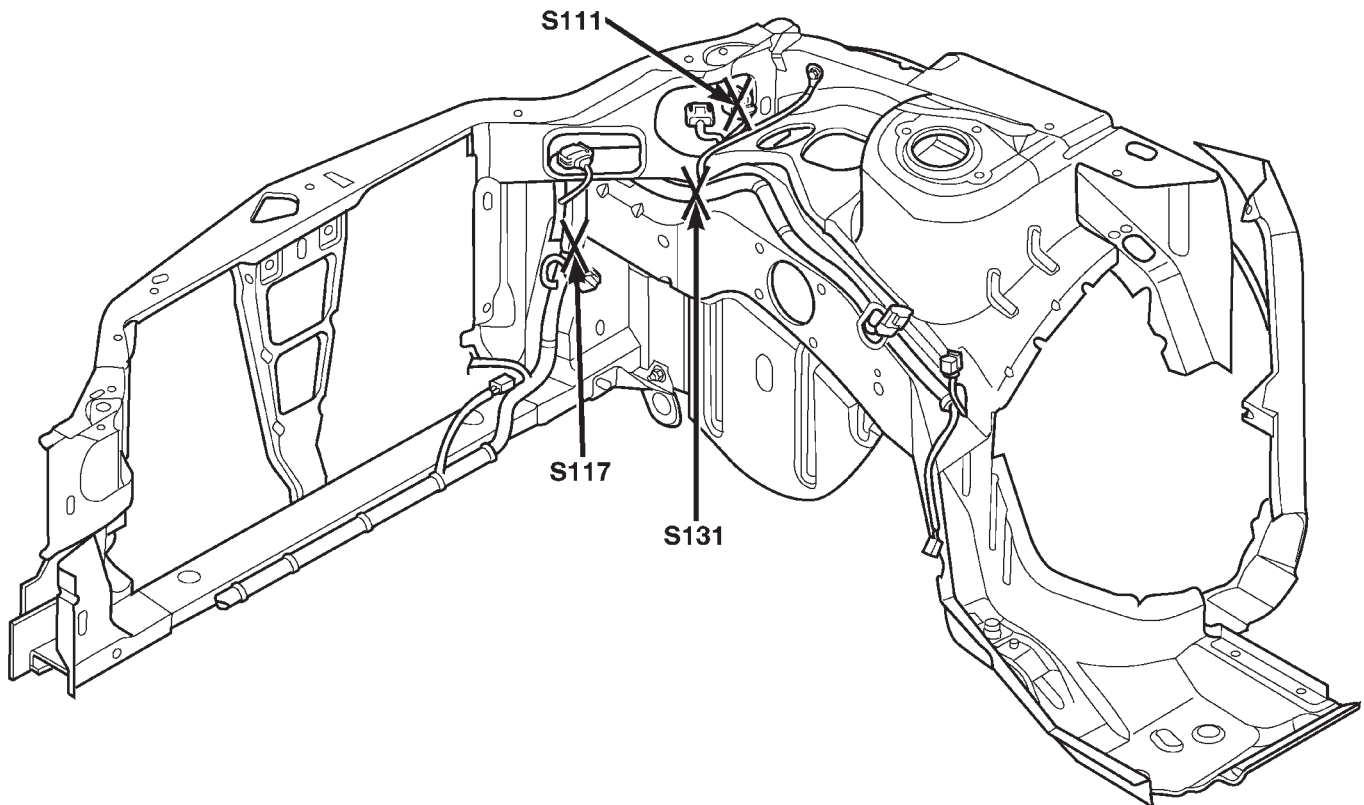


Fig. 15 Engine Compartment Splices (Right Side)—RHD

80bceb49

DESCRIPTION AND OPERATION (Continued)

80bceb4a

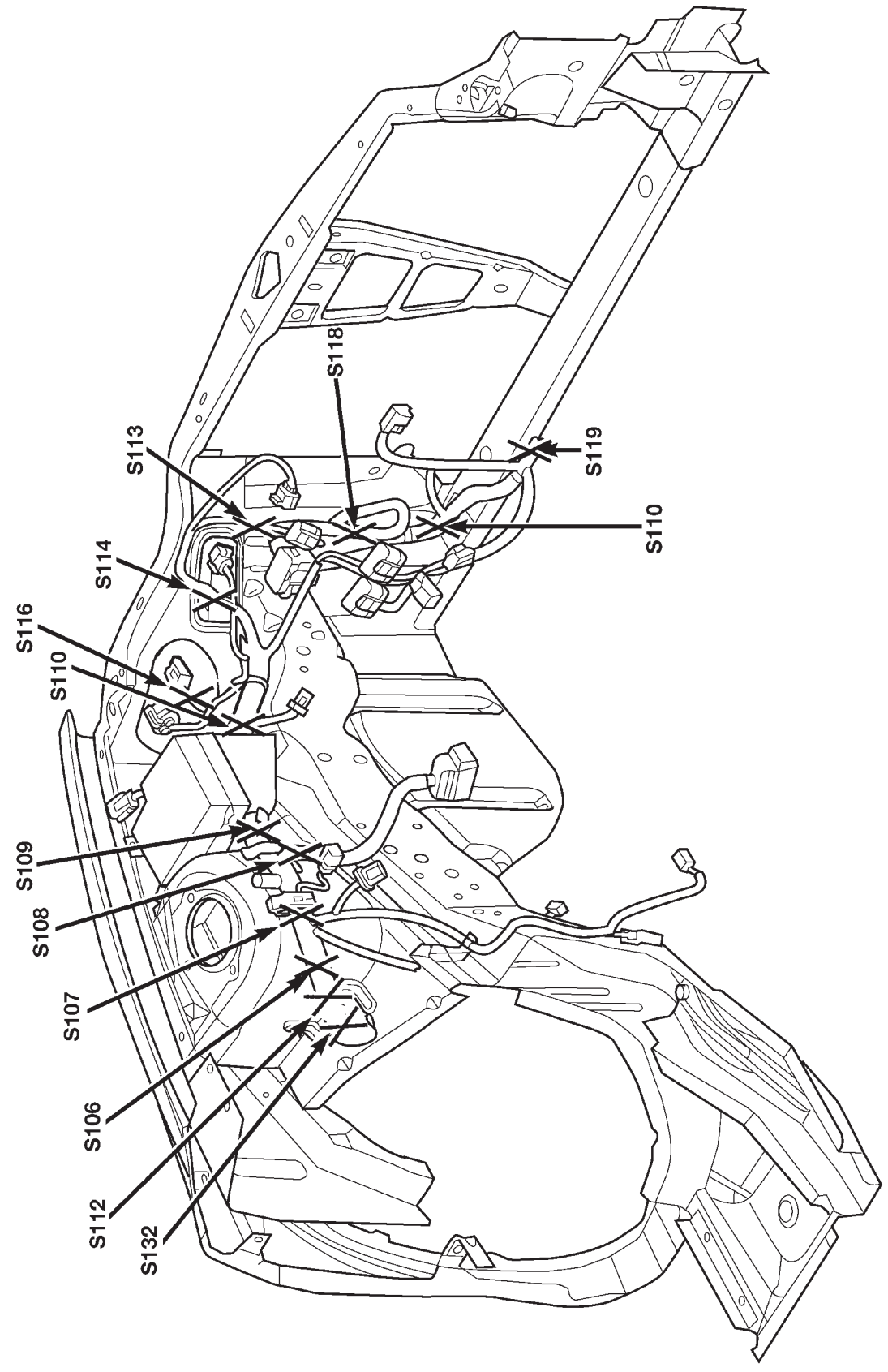


Fig. 16 Engine Compartment Splices (Left Side)—RHD

DESCRIPTION AND OPERATION (Continued)

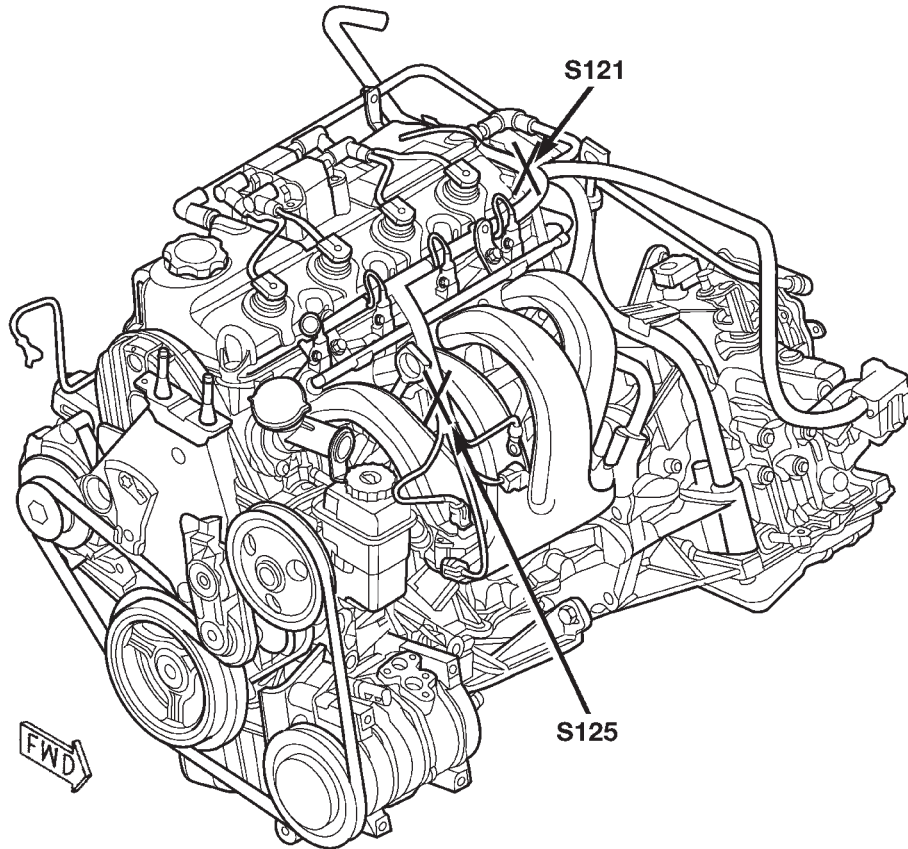


Fig. 17 Engine Splices—RHD

80bceb4b

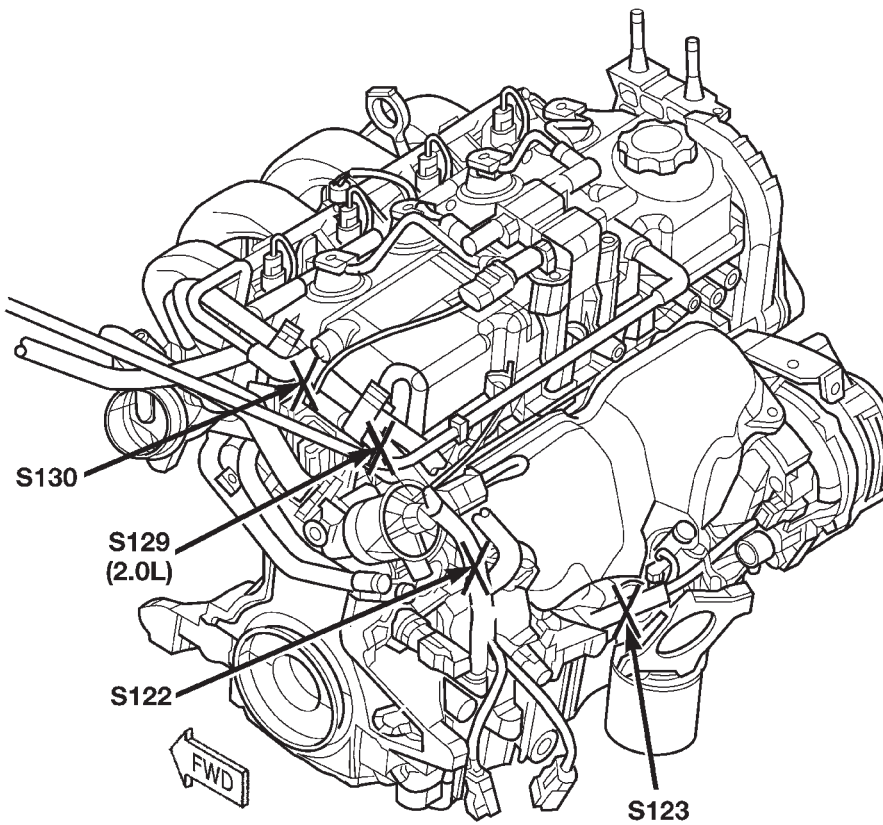
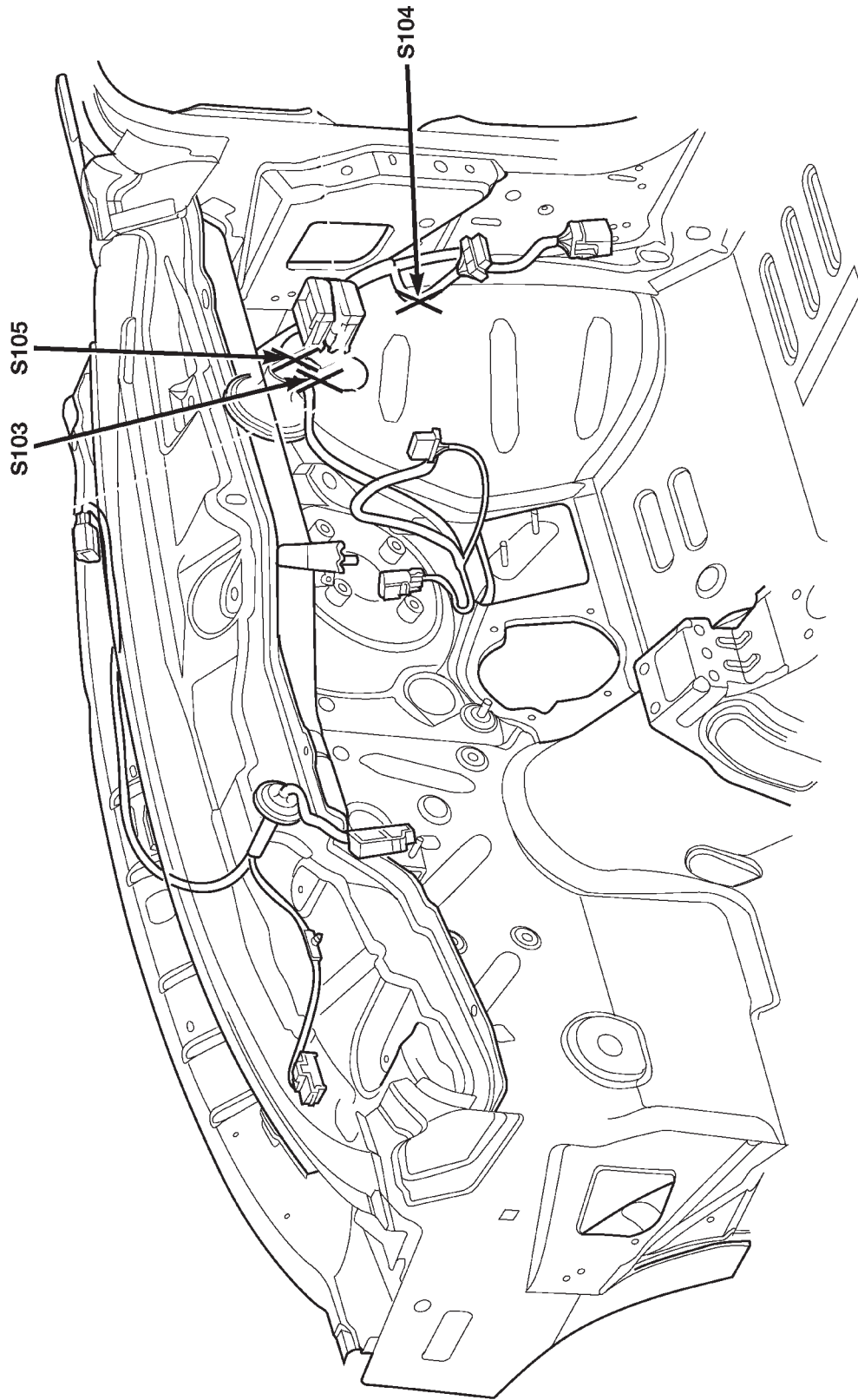


Fig. 18 Engine Splices—RHD

80bceb4c

DESCRIPTION AND OPERATION (Continued)



80bceb4d

Fig. 19 Dash Panel Splices—RHD

DESCRIPTION AND OPERATION (Continued)

80bcebe4e

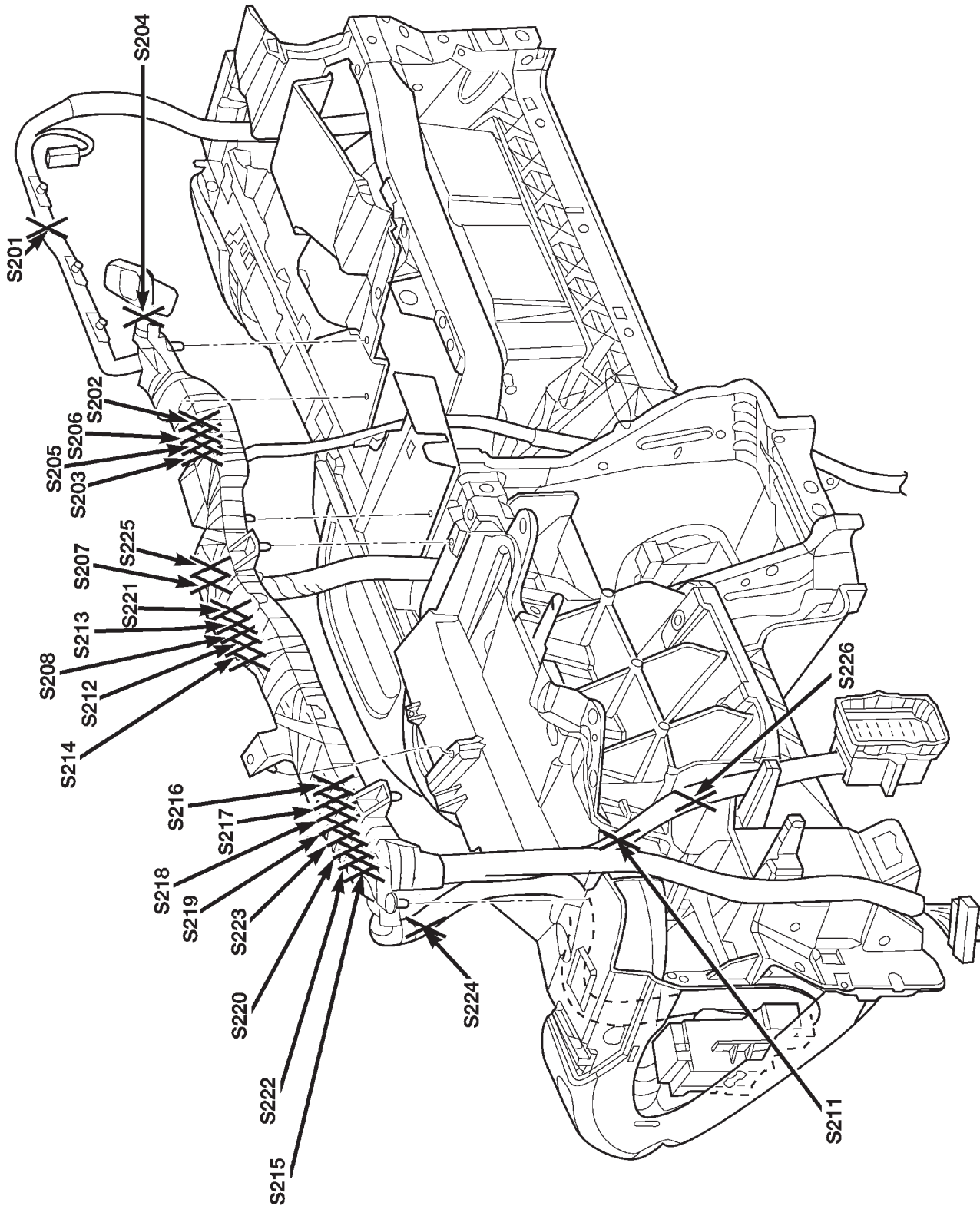
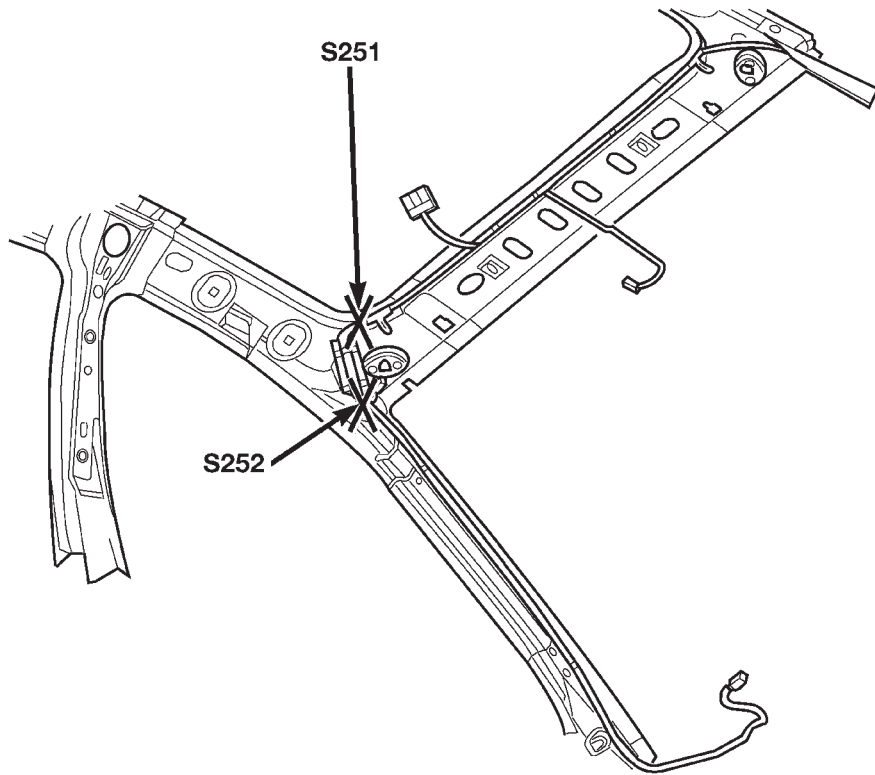


Fig. 20 Instrument Panel Splices—RHD

DESCRIPTION AND OPERATION (Continued)



80bceb4f

Fig. 21 Roof Splices—RHD

DESCRIPTION AND OPERATION (Continued)

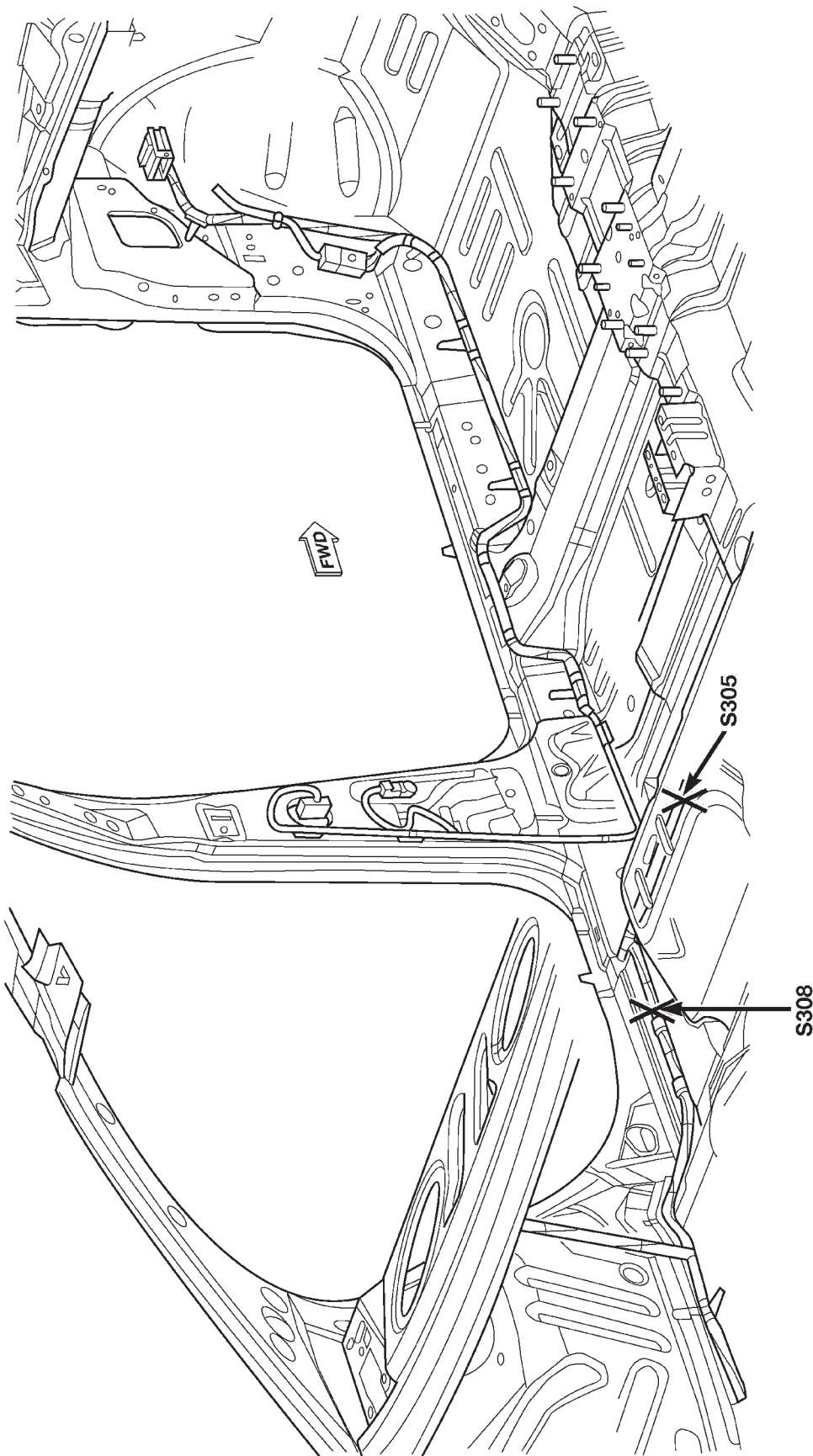
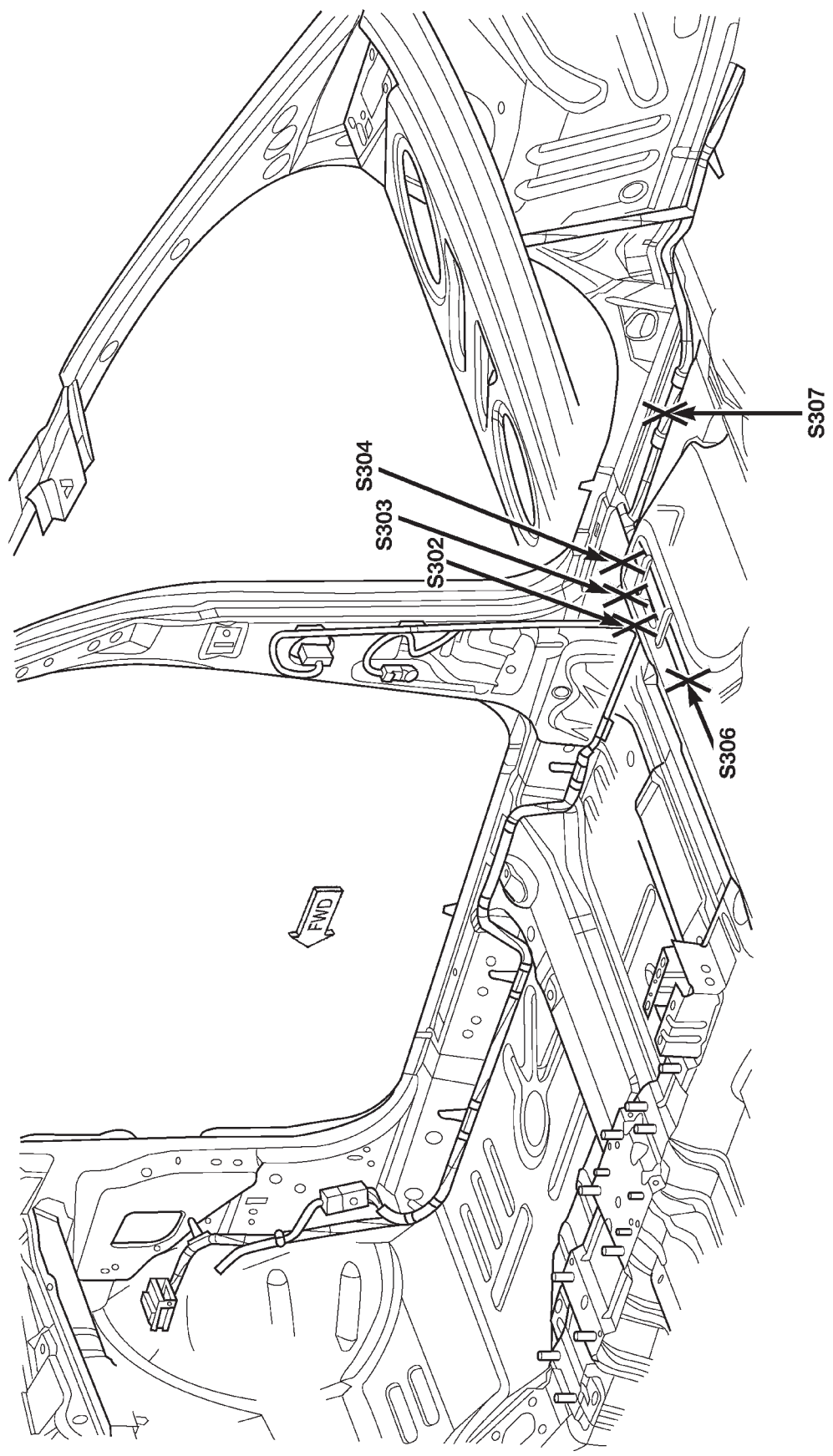


Fig. 22 Body Splices—RHD

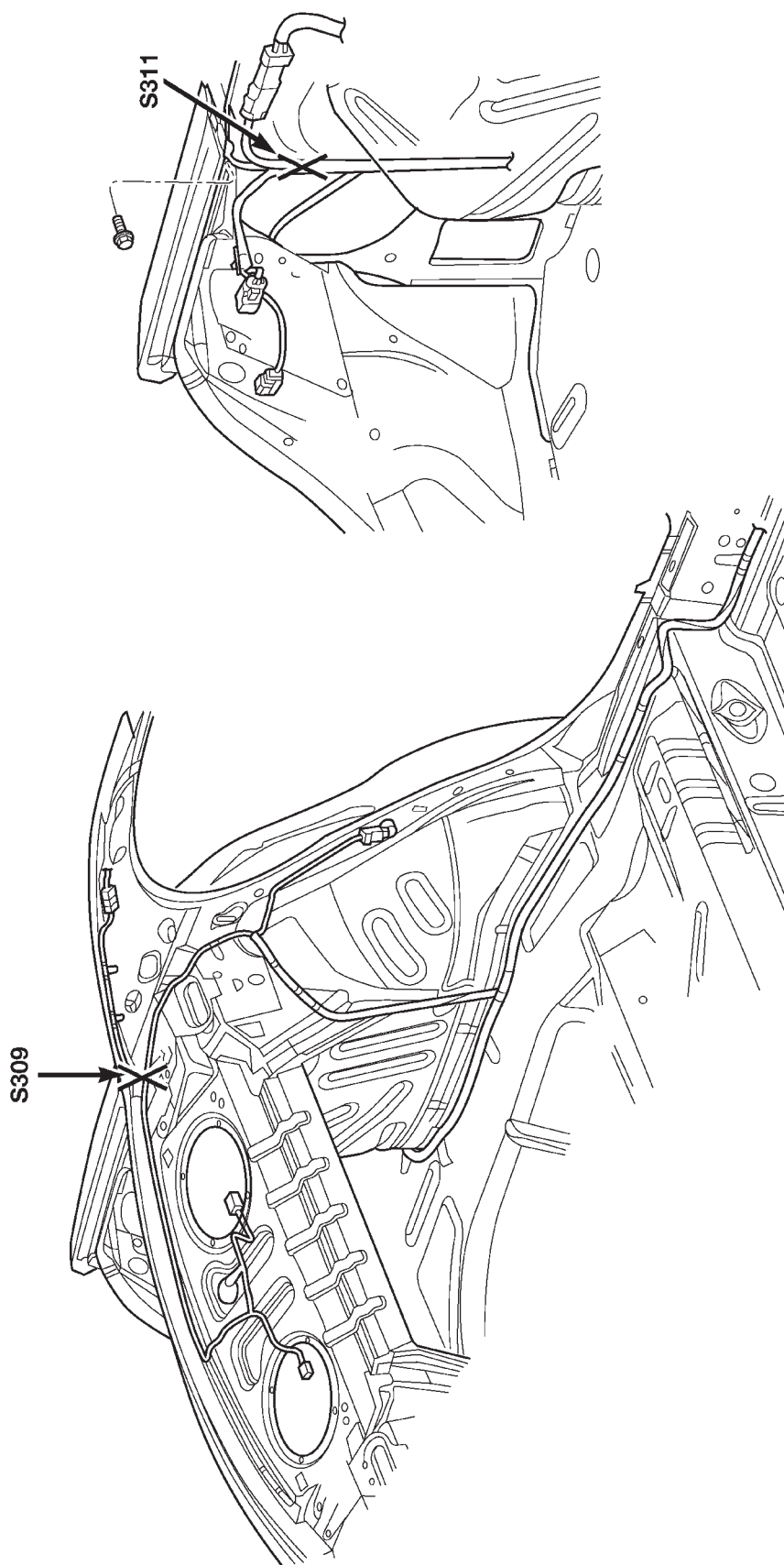
DESCRIPTION AND OPERATION (Continued)



80bceb53

Fig. 23 Body Splices—RHD

DESCRIPTION AND OPERATION (Continued)



80bceb54

Fig. 24 Body Splices—RHD

DESCRIPTION AND OPERATION (Continued)

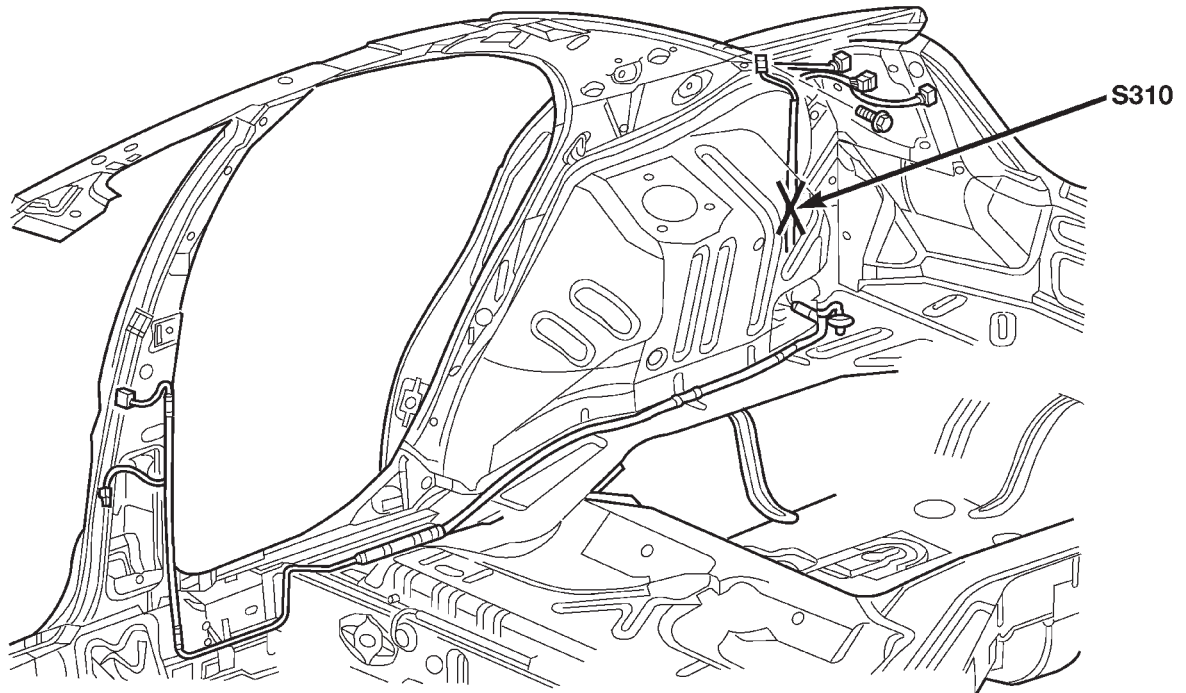


Fig. 25 Body Splices—RHD

80bdbd2f

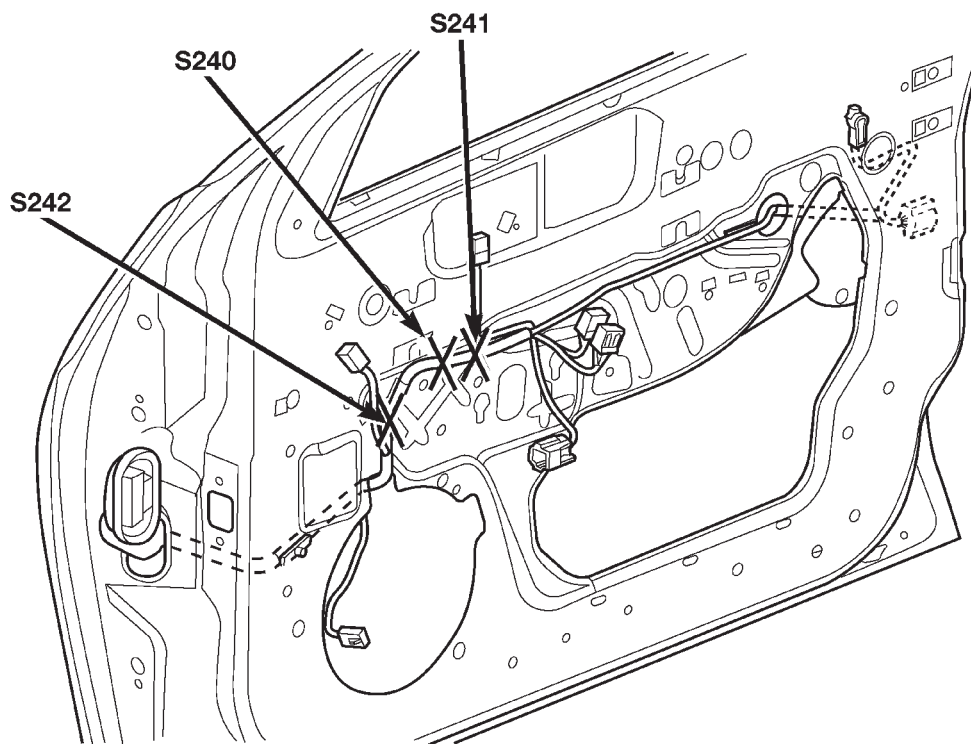
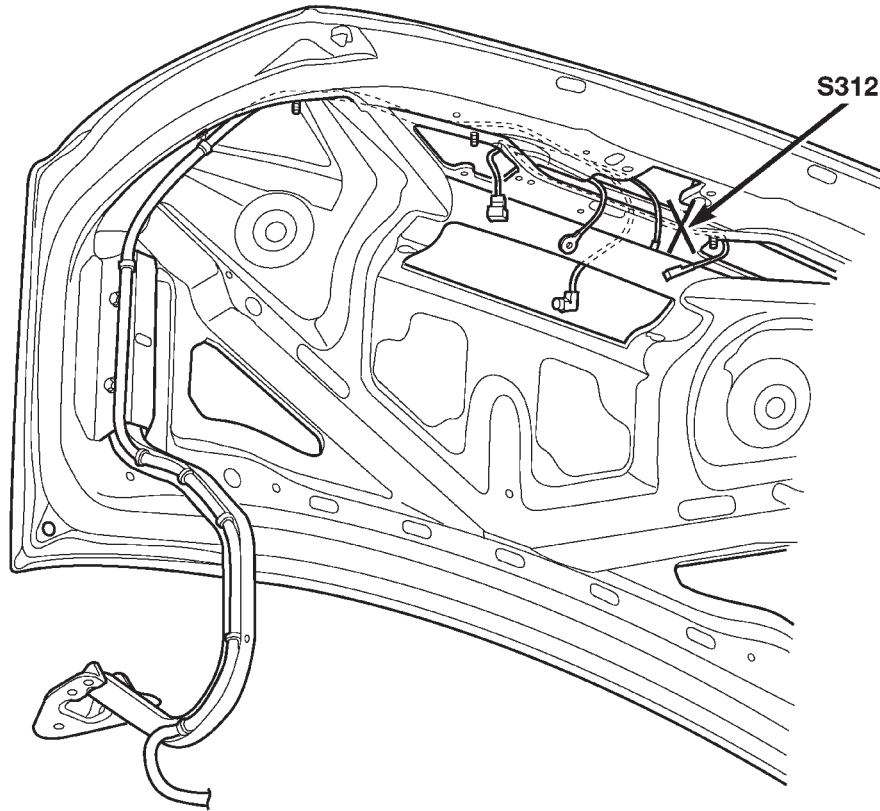


Fig. 26 Door Splices—RHD

80bdbd33

DESCRIPTION AND OPERATION (Continued)



80bdbd34

Fig. 27 Decklid Splices—RHD

