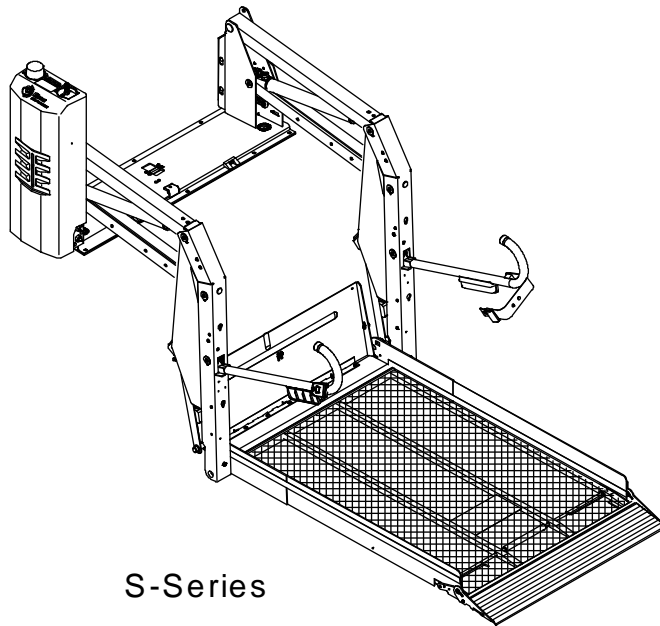


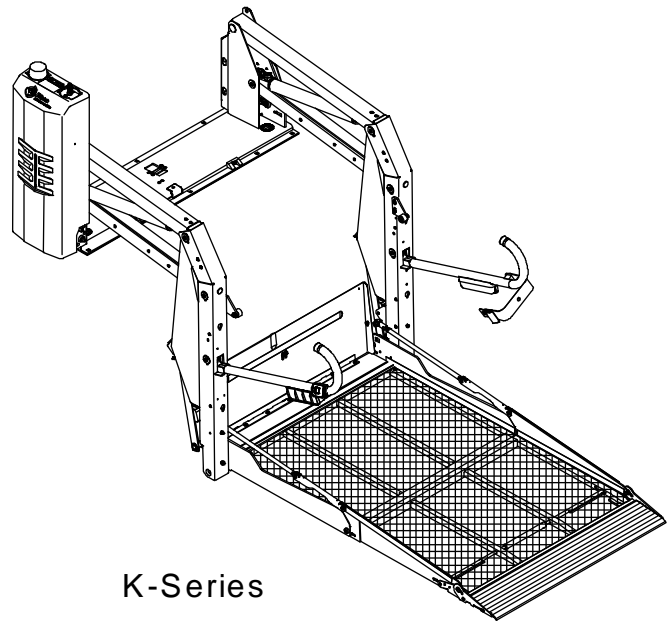
### IV. S-SERIES AND K-SERIES PUBLIC USE SPARE PARTS

This chapter contains spare parts diagrams and lists for the RICON S-Series and K-Series Public Use wheelchair lifts. The part diagrams are exploded views of each major lift assembly, with individual parts and components referenced by numbers. Each accompanying parts list contains figure item numbers, part descriptions, quantities used, configurations and the Ricon part number. To order parts, locate part on an appropriate diagram and note the figure item number. Find the figure item number on the accompanying parts list and use the part number in the far right column. Note that parts identified with (REF) in the QTY column of the spare parts list are for reference purposes only and are not sold for spare parts. Refer to the DECAL LOCATIONS AND PART NUMBERS figure in **Chapter II** for decal part numbers.

**NOTE:** Most kits contain a single part (plus hardware). Therefore, you may need to order more than one kit if the part is used more than once on a major assembly.



S-Series



K-Series

LIFT MODEL AND KIT NUMBERS	
PRODUCT NUMBER	S2010-L1120401E (first model in number sequence)
DOCUMENTATION KIT NUMBER	36927
SPARE DECAL KIT NUMBER	36955( S-Series) 36928 (K-Series)

PARTS DIAGRAM .....	PAGE
FIGURE 4-1.1: S-SERIES DOT PUBLIC USE DECALS .....	4-2
FIGURE 4-1.2: K-SERIES DOT PUBLIC USE DECALS .....	4-3
FIGURE 4-2: S-SERIES AND K-SERIES DOT PUBLIC USE PENDANT .....	4-4
FIGURE 4-3: S-SERIES AND K-SERIES USE PUMP ASSEMBLY .....	4-6
FIGURE 4-4: S-SERIES AND K-SERIES DOT PUBLIC USE HYDRAULIC ASSEMBLY .....	4-8
FIGURE 4-5: S-SERIES AND K-SERIES DOT PUBLIC USE ELECTRICAL ASSEMBLY .....	4-10
FIGURE 4-6.1: S-SERIES DOT PUBLIC USE TRAVELING FRAME .....	4-12
FIGURE 4-6.2: K-SERIES DOT PUBLIC USE TRAVELING FRAME .....	4-13
FIGURE 4-7.1: S-SERIES DOT PUBLIC USE PLATFORM ASSEMBLY .....	4-18
FIGURE 4-7.2: K-SERIES DOT PUBLIC USE PLATFORM ASSEMBLY .....	4-19
FIGURE 4-8: S-SERIES AND K-SERIES DOT PUBLIC USE HANDRAIL ASSEMBLY .....	4-22
<b>LIFT SPECIFICATIONS .....</b>	<b>4-25</b>

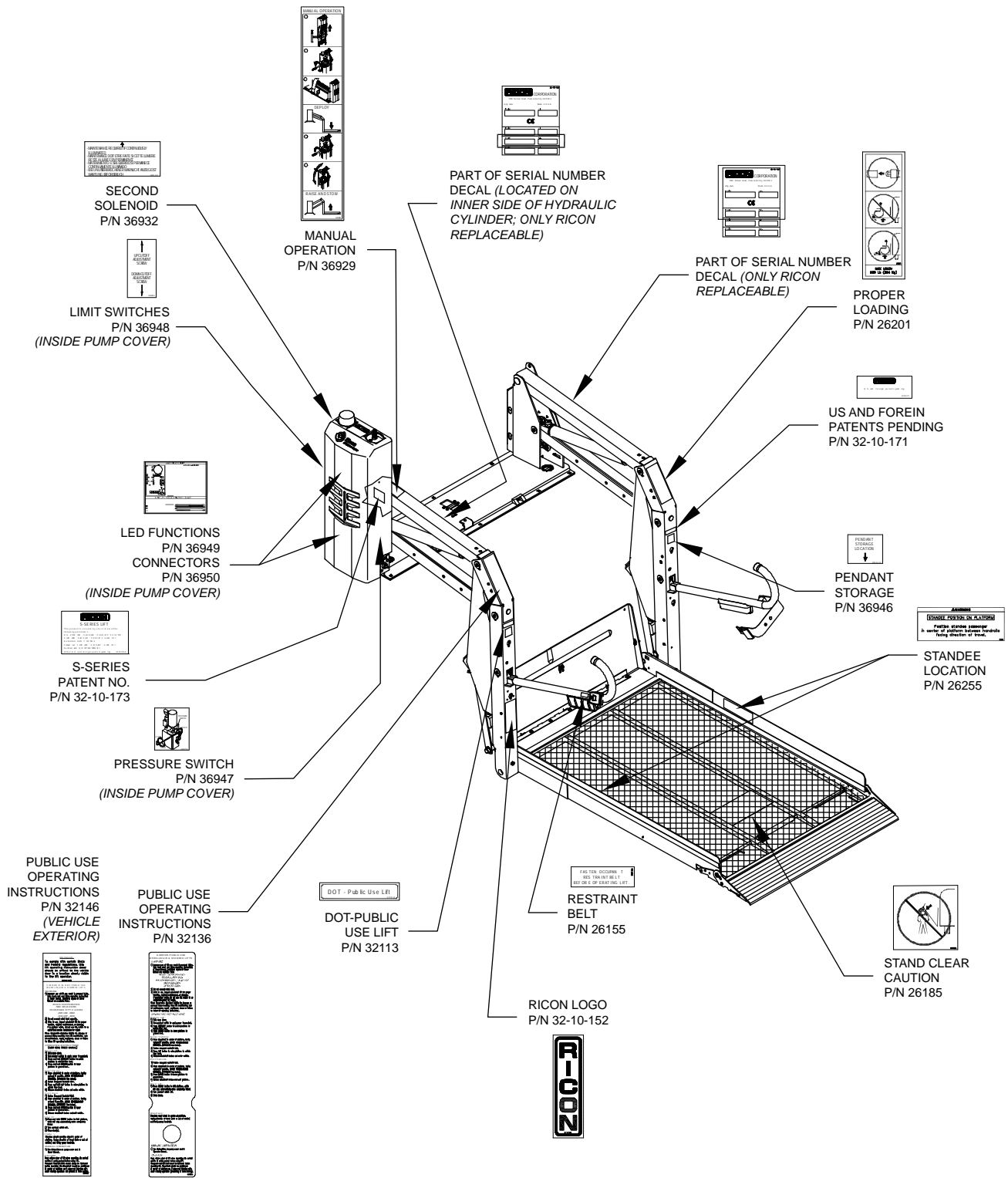


FIGURE 4-1.1: S-SERIES PUBLIC USE LIFT DECAL LOCATIONS AND PART NUMBERS

RSM0003700

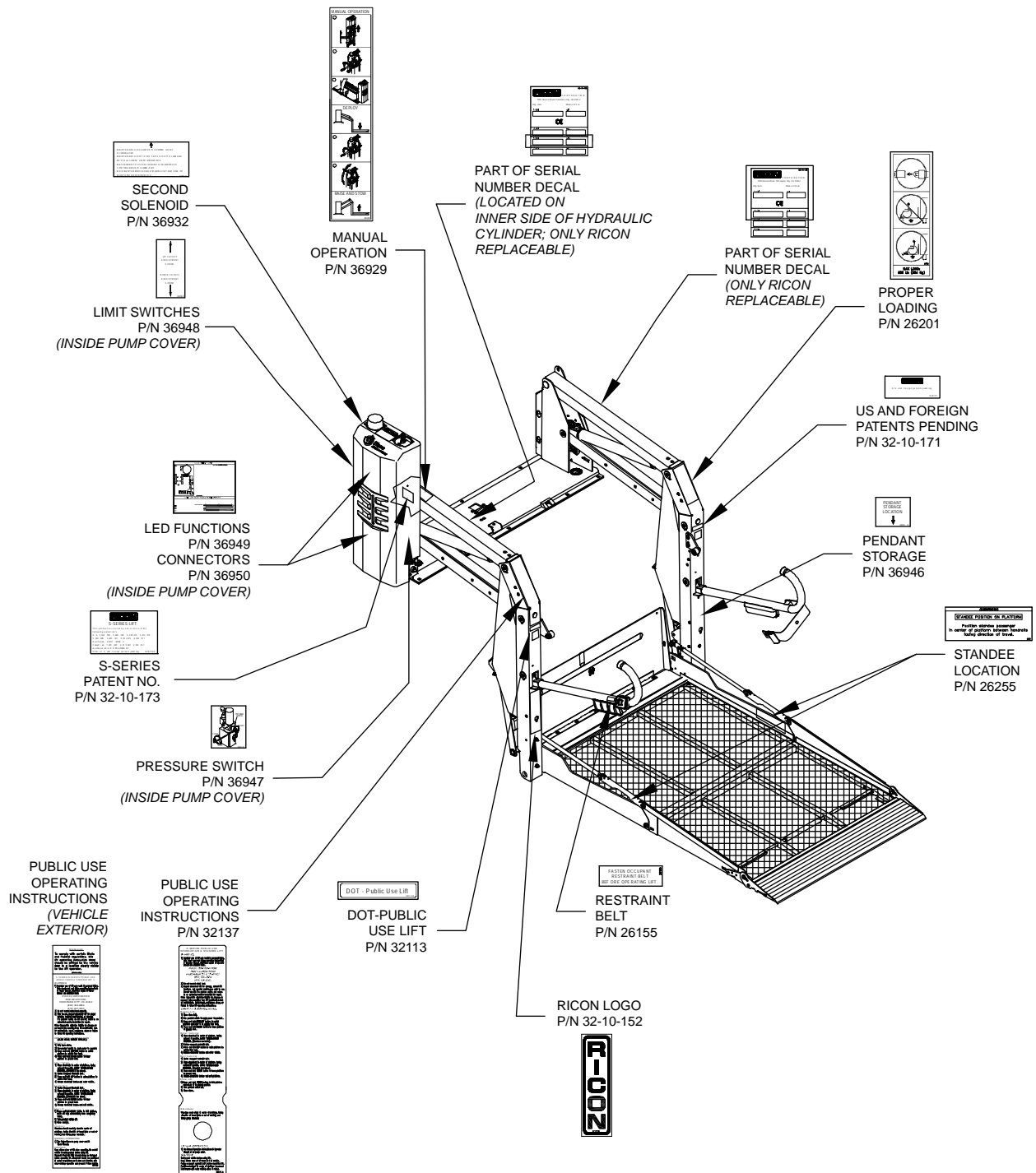


FIGURE 4-1.2: K-SERIES PUBLIC USE LIFT DECAL LOCATIONS AND PART NUMBERS

RSM0003800

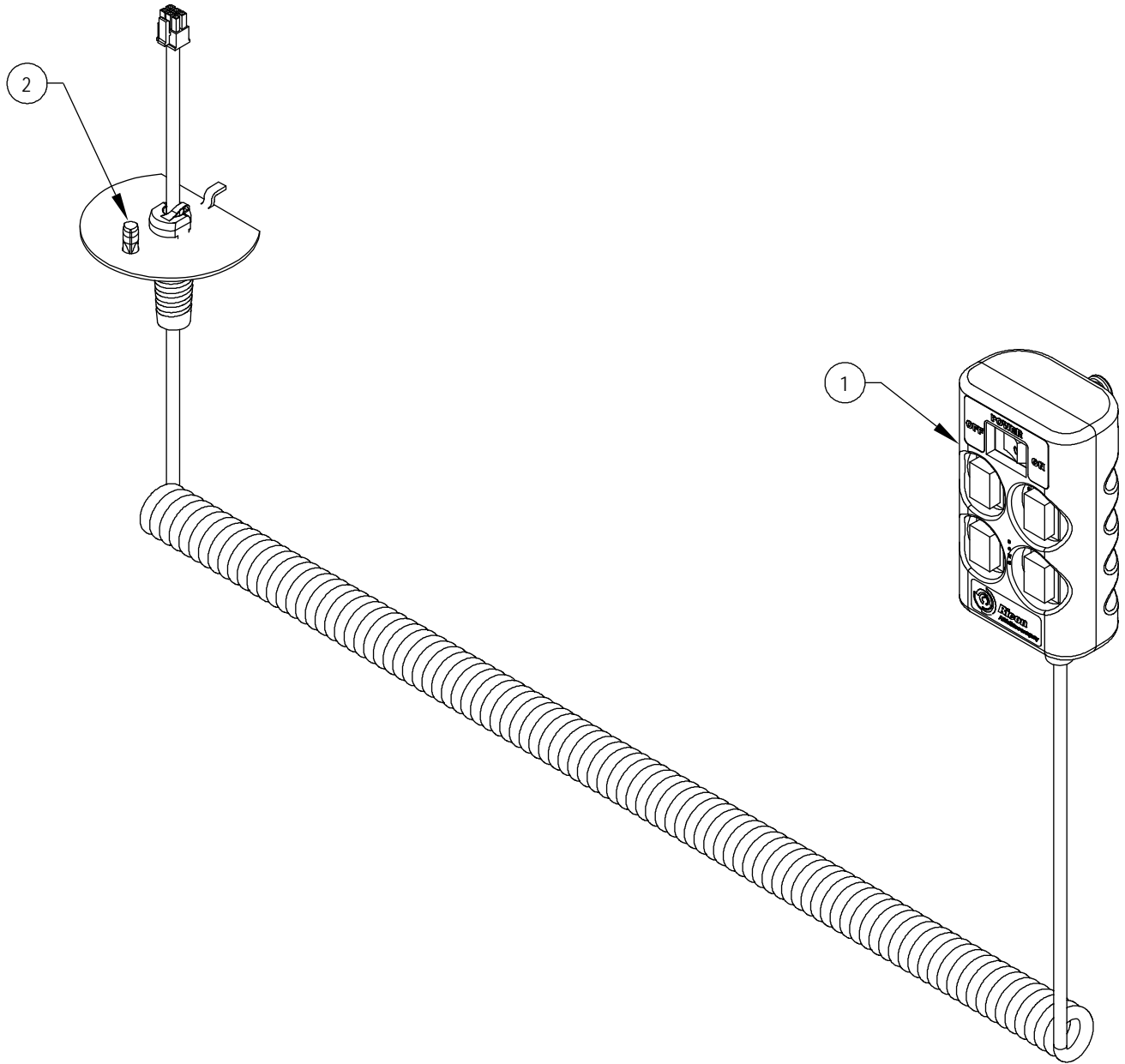


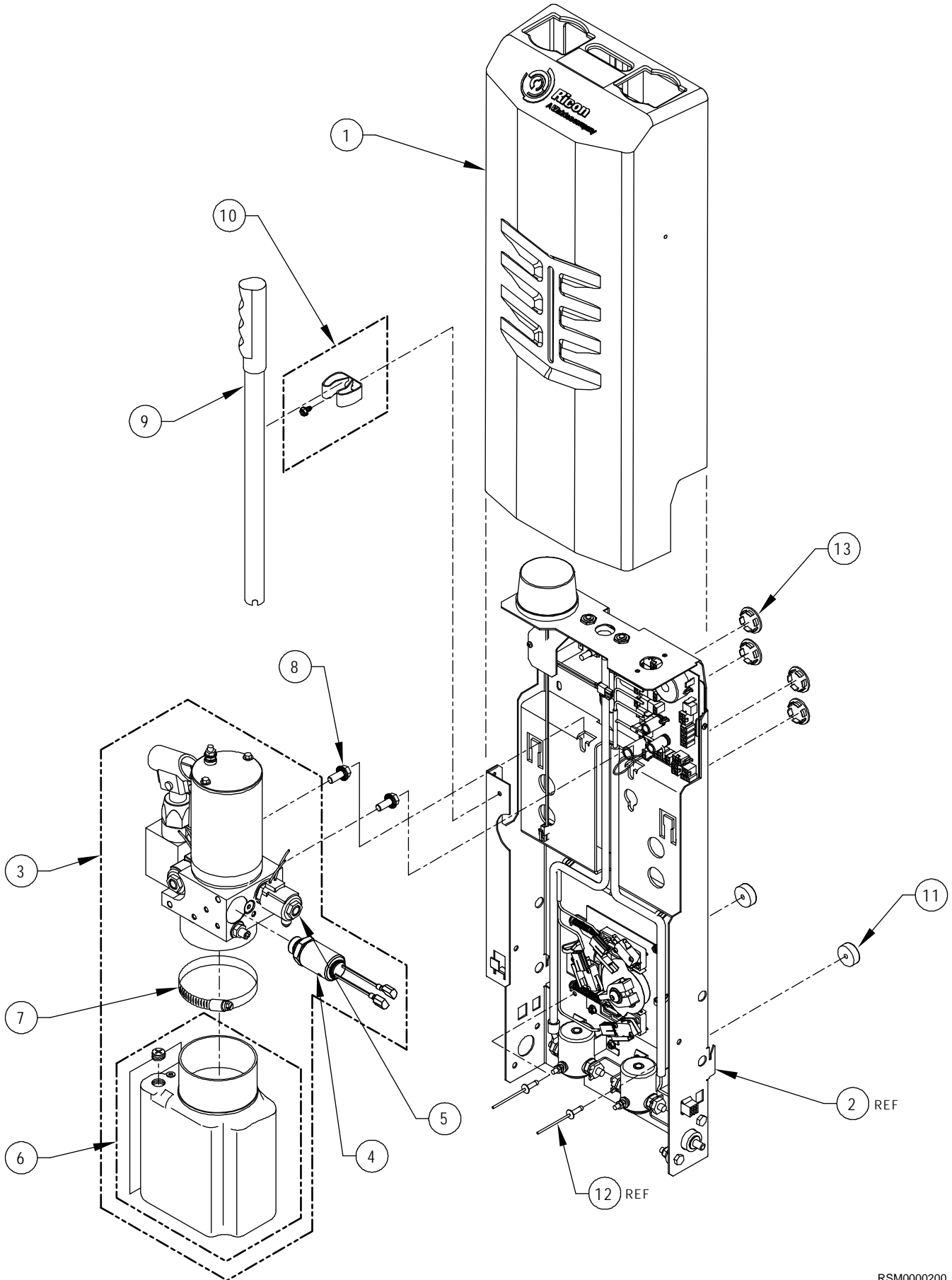
FIGURE 4-2: S/K-SERIES DOT PUBLIC USE PENDANT

RSM0000101

**FIGURE 4-2: S/K-SERIES DOT PUBLIC USE PENDANT**

<b>FIG. ITEM</b>	<b>DESCRIPTION</b>	<b>QTY</b>	<b>CONFIG.</b>	<b>PART NO.</b>
1	PENDANT ASSY, COIL CORD, 12FT, W/PUSH BUTTON & MAGNET	1		42891
1A *	PENDANT ASSY, 7 FT CORD, MOD ( <i>SUPERSEDED P/N 37386</i> )	1		42891
1B *	PENDANT ASSY, 12 FT COIL CORD, MOD ( <i>SUPERSEDED P/N 42510</i> )	1		42891
2	SCREW,PHP,1/4-20,TAP TITE,BLK ZINC (BAG OF 10)	1		45529

**NOTE:** \* Item or configuration not shown.



RSM0000200

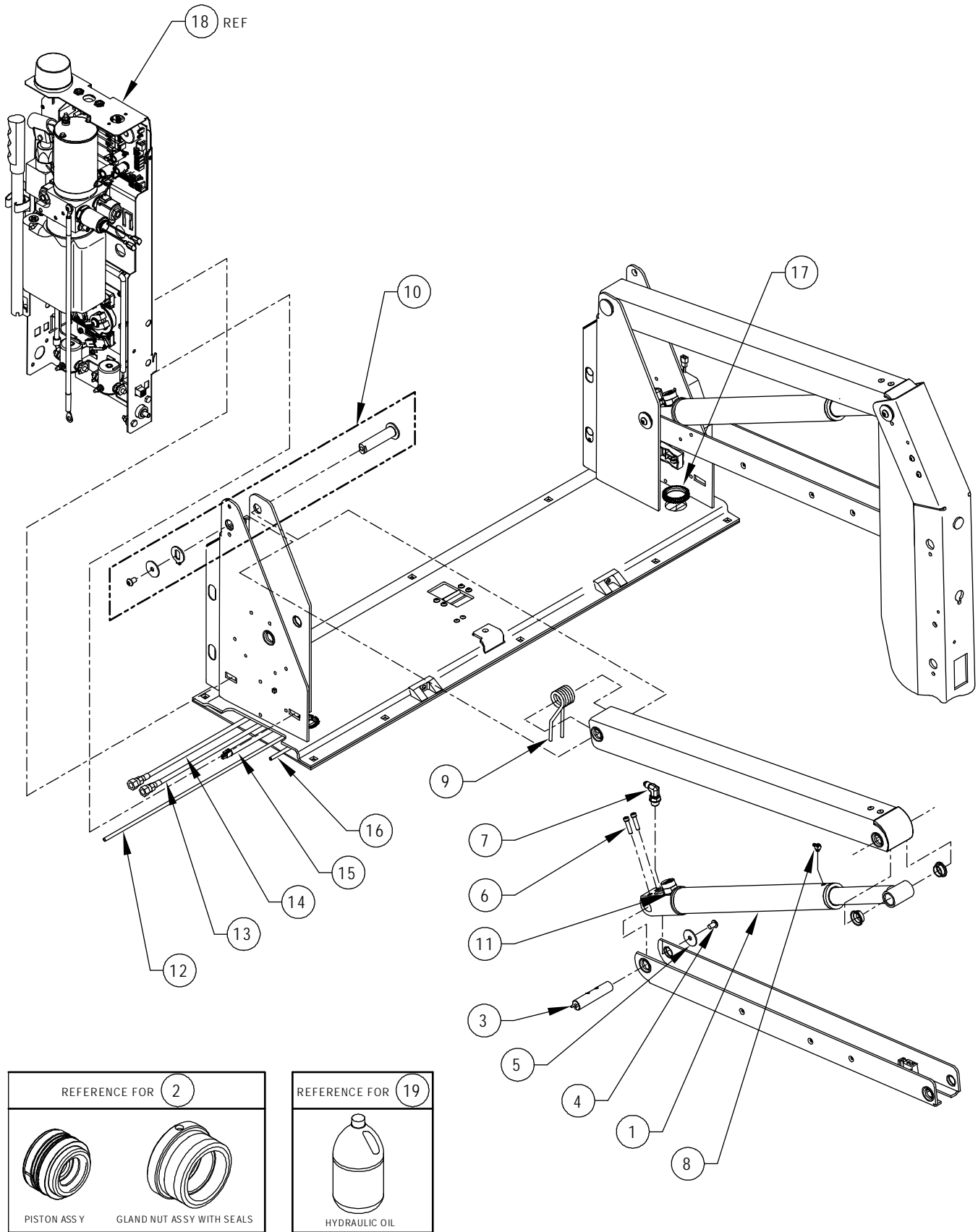
FIGURE 4-3: S/K-SERIES DOT PUBLIC USE PUMP ASSY (LEFT HAND SIDE PUMP SHOWN)

FIGURE 4-3: S/K-SERIES DOT PUBLIC USE PUMP ASSY

FIG. ITEM	DESCRIPTION	QTY	CONFIG.	PART NO.
1	COVER, PUMP, MODULAR	1		36585
2	BRACKET WLDT, PUMP CHASSIS	REF		36575
3	PUMP ASSY, 12V, MODULAR	1		PM212000008N
4	PRESSURE SWITCH, MODEL CJ	1		42395
5	VALVE ASSY, POPPET, DELTROL, 12V	1		V2-SH-105
6	RESERVOIR, PUMP, PLASTIC W/DECAL & PLUG	1		30938
7	CLAMP, RESERVOIR	1		V2-SH-109
8	SCREW, FLANGED, 5/16-18 X .75L, ZINC (BAG OF 10)	2		55682
9	HANDLE ASSY,PUMP,MANUAL OPERATION	1		V2-SH-111
10	KIT, CLIP, TOOL, EMERGENCY, PAINTED	1		42033
11	BUMPER, CHASSIS	2		38388
12	RIVET, POP, 3/16 X 3/8 A/S ##AD66BS (BAG OF 10)	2		15918
13	PLUG,1"BLACK NYLON LOW PROFILE	4		25563

**NOTE:** (REF) in QTY column is for Referenced Parts Only and are not sold as spare parts.

**NOTE:** \* Item or configuration not shown.



RSM0000300

FIGURE 4-4: S/K -SERIES DOT PUBLIC USE HYDRAULIC SYSTEM

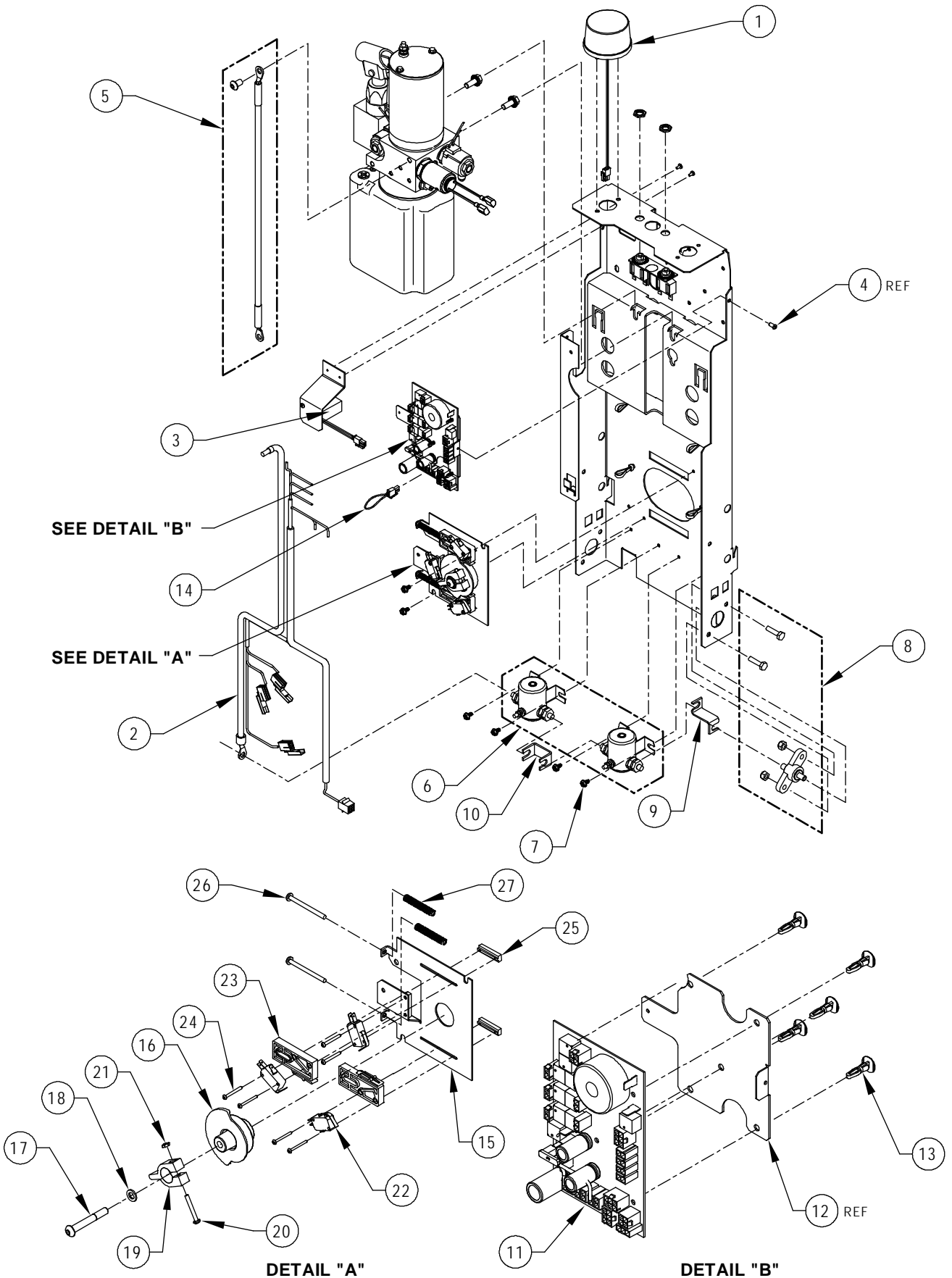


**FIGURE 4-4: S/K-SERIES DOT PUBLIC USE HYDRAULIC ASSY**

FIG. ITEM	DESCRIPTION	QTY	CONFIG.	PART NO.
1	CYLINDER ASSY, 37" (BLACK) <i>(SUPERSEDED 35793)</i>	2	S/K20XX	VT-SH-105K
1A *	CYLINDER ASSY, 40" (BLACK) <i>(SUPERSEDED 38728)</i>	2	S/K50XX	V5-SH-105K
1B *	CYLINDER ASSY, 43" (BLACK) <i>(SUPERSEDED 38726)</i>	2	S/K55XX	30836K
2	KIT, CYLINDER REPAIR <i>(SUPERSEDED 21829)</i>	2		VT-SH-56
3	PIN ASSY, PIVOT, CAM SIDE	2		37780
4	SCREW, SHC, 1/4-20 X 1, BLK (BAG OF 10)	1		14491
5	WASHER, FDR, .31 X 1.25 SST BLK OXIDE (BAG OF 10)	1		15921
6	KIT, PIN, CAM, W/HARDWARE	2		42036
7	FITTING, STE, 1/4J/9/16-18STL	2		V2-SH-14
8	FITTING, "L", MALE, M5, BARB	2		V2-SH-16
9	SPRING, TOP ARM	2		V2-SP-97
10	KIT, PIN, LINK, ARM W/HARDWARE	2		16679
11	KIT, FLOW CONTROL, FIXED RATE .50 GPM, (KIT OF 2)	1		30968
12	TUBE, POLY, 6MM OD X 4MM ID, 5.0'	1		20229
13	HOSE ASSY, HYD, 74" X 1/4 JIC X 1/4 JIC	1		37716
14	HOSE ASSY, HYD, 36" X 1/4 JIC X 1/4 JIC	1		UV-SH-013
15	HARNESS, STOW-LOC SOLENOID EXTENSION	1		37333
16	TUBE, POLY, 6MM OD X 4MM ID, 8.0'	1		20228
17	GROMMET, CATERPILLAR, 3/16 X 12" LONG	2		26647
18	CHASSIS ASSY, LH PUMP, 12V <i>(DISCONTINUED P/N 37701)</i>	1	S/K20XX	42343
18A *	CHASSIS ASSY, RH PUMP, 12V <i>(DISCONTINUED P/N 38374)</i>	1	S/K50XX	42343
19	OIL, HYDRAULIC, TEXACO #15, MEETS MIL-H-5606G	1	GAL	20-16-051

**NOTE:** (REF) in QTY column is for Referenced Parts Only and are not sold as spare parts.

**NOTE:** \* Item or configuration not shown.



RSM0000400

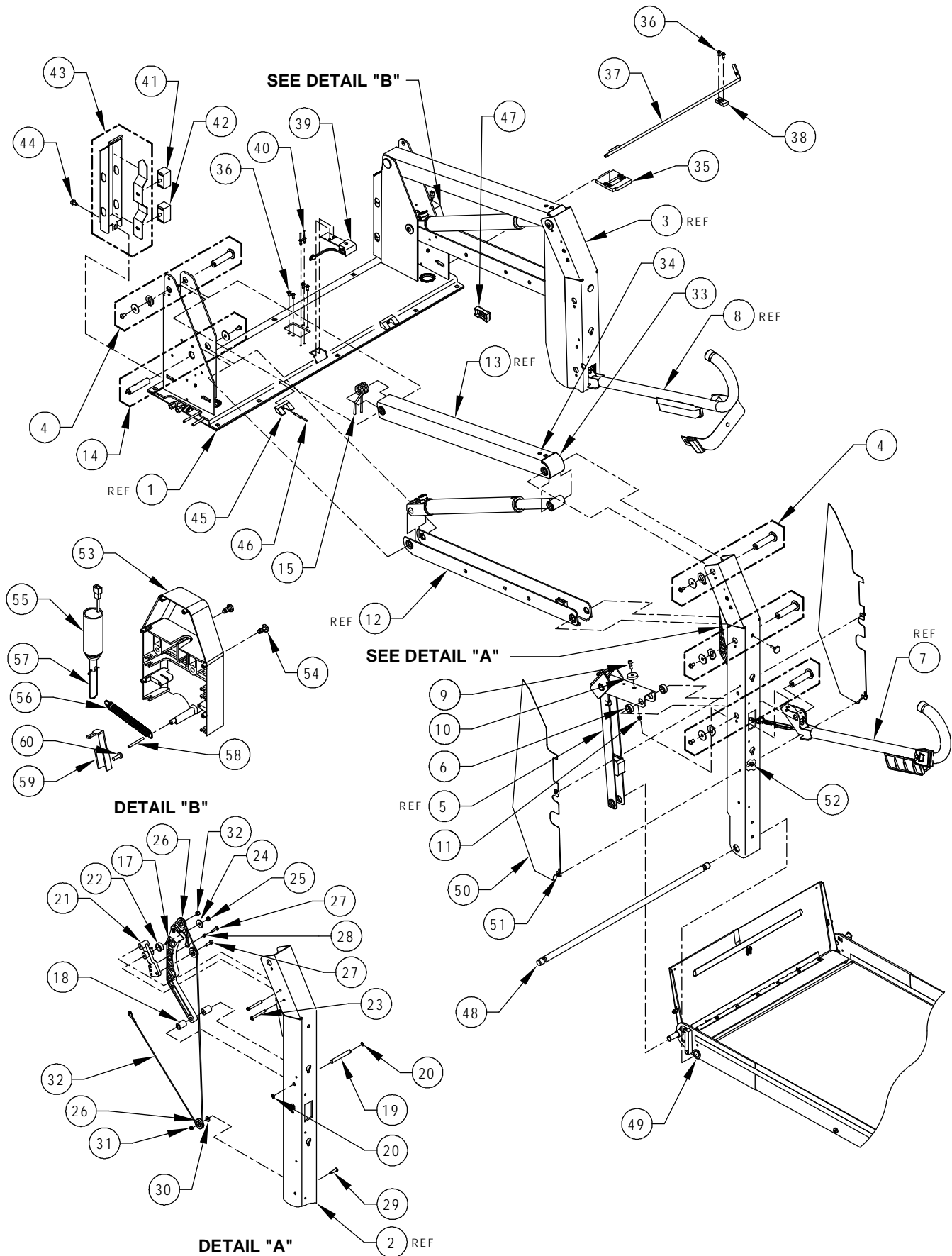
FIGURE 4-5: S/K-SERIES DOT PUBLIC USE ELECTRICAL SYSTEM

**FIGURE 4-5: S/K-SERIES DOT PUBLIC USE ELECTRICAL ASSY**

FIG. ITEM	DESCRIPTION	QTY	CONFIG.	PART NO.
1	LIGHT ASSY, RED W/CONNECTORS	1		37319
2	HARNESS, PUMP CHASSIS, 12V (PACKAGED)	1		36276
3	COUNTER ASSY, 12V, MODULAR	1		38391
4	SCREW, PHP, 6-32 X 1/4, TYPE F, SST	REF		21953
5	KIT, GROUND STRAP, LONG	1		37388
6	KIT, SOLENOID, 12V, SGL POLE, SGL THROW	1		29297
7	SCREW, HEX, 10-24 X 3/8, QUICK-DRIVE	REF		37702
8	KIT, BLOCK, POSITIVE CONNECTION, W/HARDWARE (MODULAR)	1		35454
9	BUSBAR, MAIN	REF		36592
10	BUSBAR, 1.45" W	REF		37767
11	PCB ASSY, W/LEDS	1		35792
11A *	PCB ASSY, W/LEDS (FOR LIFTS W/SERIAL NUMBERS BELOW 242082)	1		45557
12	BRACKET, PCB MOUNT, MODULAR	1		37785
13	PCB STANDOFFS (BAG OF 5)	1		42034
14	JUMPER TWS	REF		37379
15	SWITCH ASSY, POSITION INPUT	1		37711
16	CAM, POSITION INPUT	1		36271
17	SCREW, BHS, 5/16-18 X 2 1/4 BLK (BAG OF 10)	1		36270
18	WASHER, FLT, .325 X .563 X .065 (BAG OF 10)	1		36269
19	ACTUATOR, FOLD CUTOFF	1		V2-AC-089
20	WASHER, SPL, 1/4" (BAG OF 10)	1		45815
21	NUT, ESN, 8-32 (BAG OF 10)	1		15907
22	SWITCH, LIMIT, UPPER/LOWER, (MODIFIED)	3		V2-ES-110
23	SWITCH BLOCK	2		34314
24	SCREW, PHP, 4AB X 1.00, ZINC (BAG OF 10)	1		42035
25	BLOCK, SWITCH MOUNT	REF		36578
26	SCREW, PHP, 10-24 X 2 1/4	REF		10860
27	SPRING, ADJUSTABLE LIMIT SWITCH	2		V2-ES-93
28 *	KIT, CIRCUIT BREAKER, MAIN (90A)	1		01010K

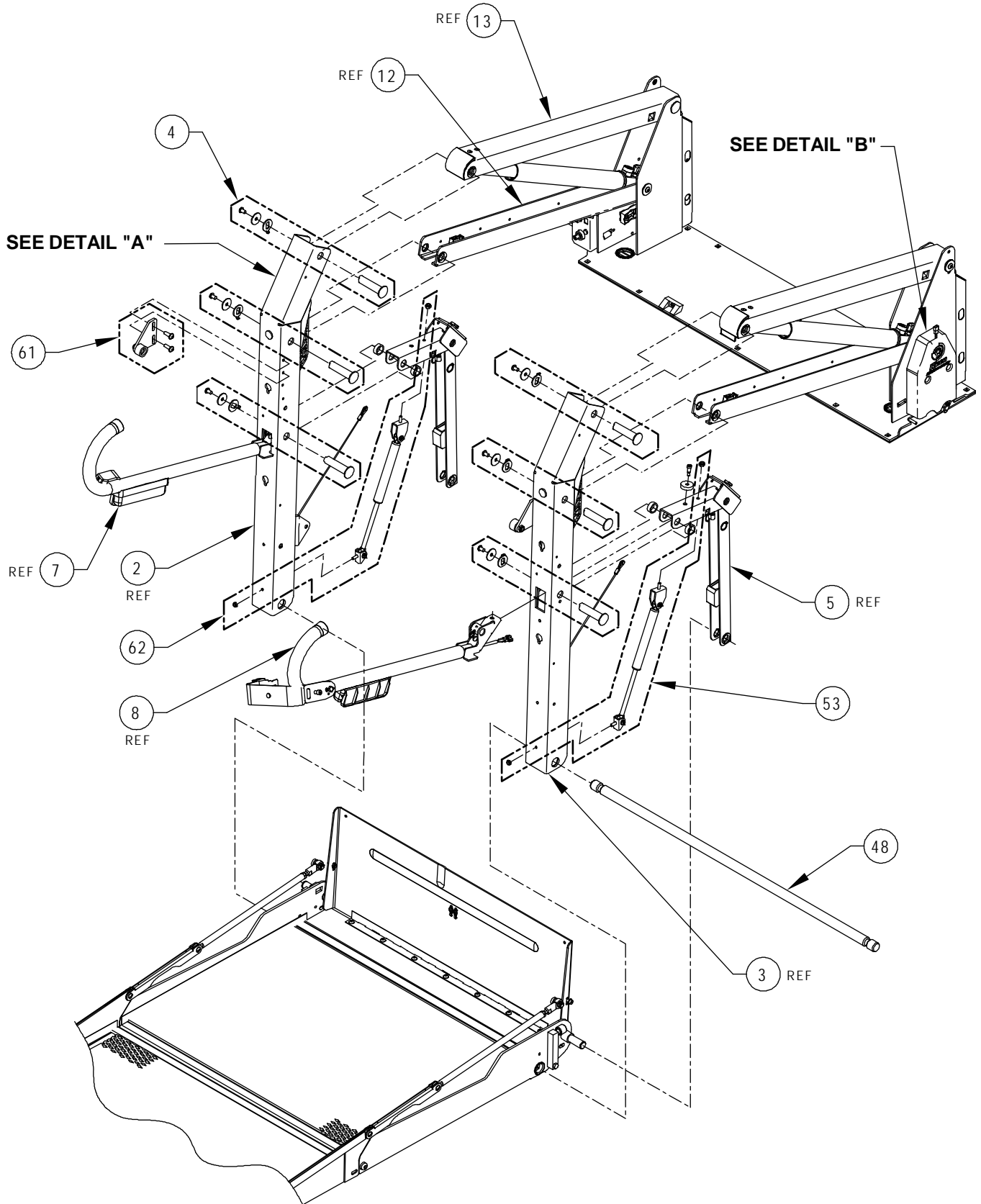
**NOTE:** (REF) in QTY column is for Referenced Parts Only and are not sold as spare parts.

**NOTE:** \* Item or configuration not shown.



RSM0000501

FIGURE 4-6.1: S-SERIES DOT PUBLIC USE TRAVELING FRAME



RSM0007001

FIGURE 4-6.2: K-SERIES DOT PUBLIC USE TRAVELING FRAME

This page intentionally left blank.

**FIGURE 4-6: S/K-SERIES DOT PUBLIC USE TRAVELING FRAME ASSY**

FIG. ITEM	DESCRIPTION	QTY	CONFIG.	PART NO.
1	BASEPLATE WLDT, 34" PLATFORM	1		35772
2	VERTICAL ARM ASSY, LH, S20XX (DISCONTINUED)	REF	S20XX	38797
2A *	VERTICAL ARM ASSY, LH, S50XX (DISCONTINUED)	REF	S50XX	37747
2B *	VERTICAL ARM ASSY, LH, S55XX (SUPERSEDED 39912)	REF	S55XX	42341
2C	VERTICAL ARM ASSY, LH, GREY	REF	K20XX	38785
3	VERTICAL ARM ASSY, RH, S20XX, (DISCONTINUED)	REF	S20XX	38798
3A *	VERTICAL ARM ASSY, RH, S50XX (DISCONTINUED)	REF	S50XX	37746
3B *	VERTICAL ARM ASSY, RH, S55XX (SUPERSEDED 39911)	REF	S55XX	42341
3C	VERTICAL ARM ASSY, RH, K2003 SERIES	REF	K20XX	38786
4	KIT, PIN, LINK, ARM W/HARDWARE	1		16679
5	KNUCKLE ASSY (DISCONTINUED)	REF		37724
6	SPACER	4		VT-BU-42
7	KIT, HANDRAIL ASSY, LH W/BUCKLE	1		34895
8	KIT, HANDRAIL ASSY, RH W/BELT	1		34896
9	SCREW, 5/16 X 3/8 SSS (BAG OF 10)	2		45884
10	KIT, GROMMET (KIT OF 10)	2		23391
11	NUT, ESN, 1/4-20 THIN, SST (BAG OF 10)	2		13339
12	PARALLEL ARM ASSY, LOWER (SUPERSEDED 38748)	1	S/K20XX	VT-AC-252
12A *	PARALLEL ARM ASSY, LOWER (SUPERSEDED 38745)	1	S/K50XX	V5-AC-252
12B *	PARALLEL ARM ASSY, LOWER (DISCONTINUED)	REF	S/K55XX	39915
13	ARM ASSY, UPPER, PARALELL (GREY)	1	S/K20XX	VT-AC-250
13	ARM ASSY, UPPER, PARALELL (GREY)	1	S/K50XX	VT-AC-250
13A *	ARM ASSY, TOP	1	S/K55XX	30858
14	KIT, CAM, W/HARDWARE	1		42036
15	SPRING, TOP ARM	2		V2-SP-97
16A *	KIT, KICK-OUT SPRING	2	S2010	01115
16B *	KIT, KICK-OUT SPRING	2	S50XX	01115
16C *	KIT, KICK-OUT SPRING	2	S55XX	01115
17	CAM ASSY, IRS ACTUATOR	2		V2-AC-190
18	KIT, IRS SPACER	2		01224
19	PIN, SNAP RING, .38D X 3.09L	2		VS-PI-09
20	SNAP RING 3/8" (BAG OF 10)	1		11795
21	BRACKET, PULLEY MOUNT, IRS	2		V2-AC-112
22	BUMPER, IRS CAM ANTI-RATTLE	2		V2-BU-090
23	SCREW, BHS, 1/4-20 X 2 1/4, SST, BLK OXDE (BAG OF 10)	1		19720
24	WASHER, FDR, .281 X 1.00 X .065 (BAG OF 10)	1		25623

**CONTINUED**

**NOTE:** (REF) in QTY column is for Referenced Parts Only and are not sold as spare parts.

**NOTE:** \* Item or configuration not shown.

FIGURE 4-6: S/K-SERIES DOT PUBLIC USE TRAVELING FRAME ASSY

FIG. ITEM	DESCRIPTION	QTY	CONFIG.	PART NO.
25	NUT, ESN, 1/4-20 (BAG OF 10)	1		15919
26	BEARING, GROOVED (SHEAVE)	6		VS-AH-06
27	SCREW, HEX, 1/4-20 X 3/4 GR5 (BAG OF 10)	1		13308
28	BUSHING, STEEL, .25ID X .32OD X .19L	2		V2-BU-003
29	SCREW, BHS, 1/4-20 X 1 SST, BLK OXIDE (BAG OF 10)	1		19715
30	WASHER, FLT, .281 X .625 X .065 (BAG OF 10)	1		17504
31	NUT, ESN, 1/4-20 THIN, SST (BAG OF 10)	2		13339
32	KIT, CABLE ASSY (52.75"), IRS (2 CABLES PER KIT)	1	S20XX	16094
	KIT, CABLE ASSY (52.75"), IRS (2 CABLES PER KIT)	1	K20XX	16094
32A *	KIT, CABLE ASSY w/SLEEVE (59.13"), (2 CABLES PER KIT)	1	S55XX	34247
*	KIT, CABLE ASSY w/SLEEVE (59.13"), (2 CABLES PER KIT)	1	K55XX	34247
33	CAP, END, UPPER PARALLEL ARM, PLASTIC	2		V2-AC-89
34	RIVET, POP, 3/16 X 5/8 STL SD68BS (BAG OF 10)	1		34519
35	BLOCK, SUPPORT, LOCK ROD	1		36587
36	SCREW, BHS, 1/4-20 X 1/2 BLK (BAG OF 10)	1		15985
37	LATCH WLDT, RELEASE, 34" PLATFORM	1		38437
38	BLOCK, MOUNT, BASE LATCH	1		V2-AC-001
39	SWITCH ASSY, BP LOAD SENSOR	1		35781
39A *	KIT, RETRO, BRIDGE PLATE SW, "L" MODEL	1		55917
40	RIVET, 3/16 STRUCTURAL, BLIND (BAG OF 10)	1		22021
41	SENSOR, PHOTOBEM, TRANSMITTER, MODULAR	2		37389
42	SENSOR, PHOTOBEM, RECIEVER, MODULAR	2		37390
43	KIT, TWS COVER, S&K	1		39979
44	SCREW, HWH, 5/16-18D X 1/2	REF		282155
45	KIT, GUIDE BLOCK, INNER ROLLSTOP, W/RIVETS	1		35708
46	RIVET, POP, 3/16 X 29/32 STL	REF		14-33-510
47	SPACER, CABLE OR HOSE, PANDUIT	2		25557
48	KIT, SHAFT, MAIN, 1.00 x 40.50L (PACKAGED)	1		34887
	KIT, SHAFT, MAIN, 1.00 x 40.50L (PACKAGED)	1	S2010	34887
	KIT, SHAFT, MAIN, 1.00 x 40.50L (PACKAGED)	1	K5510	34887
	KIT, SHAFT, MAIN, 1.00 x 40.50L (PACKAGED)	1	K2010	34887
48A *	KIT, SHAFT, MAIN, 1.00 X 39.13L (PACKAGED)	1	S5505	34893
*	KIT, SHAFT, MAIN, 1.00 X 39.13L (PACKAGED)	1	S2005	34893
*	KIT, SHAFT, MAIN, 1.00 X 39.13L (PACKAGED)	1	K5505	34893
*	KIT, SHAFT, MAIN, 1.00 X 39.13L (PACKAGED)	1	K2005	34893
49	SHIM, PVC SPACER	2		V2-BU-091
50	SET, PINCH POINT SHIELDS (P/N S21XX-XXXXXXXX0X)	1	S/K20XX	S21XX-

CONTINUED

NOTE: (REF) in QTY column is for Referenced Parts Only and are not sold as spare parts.

NOTE: \* Item or configuration not shown.

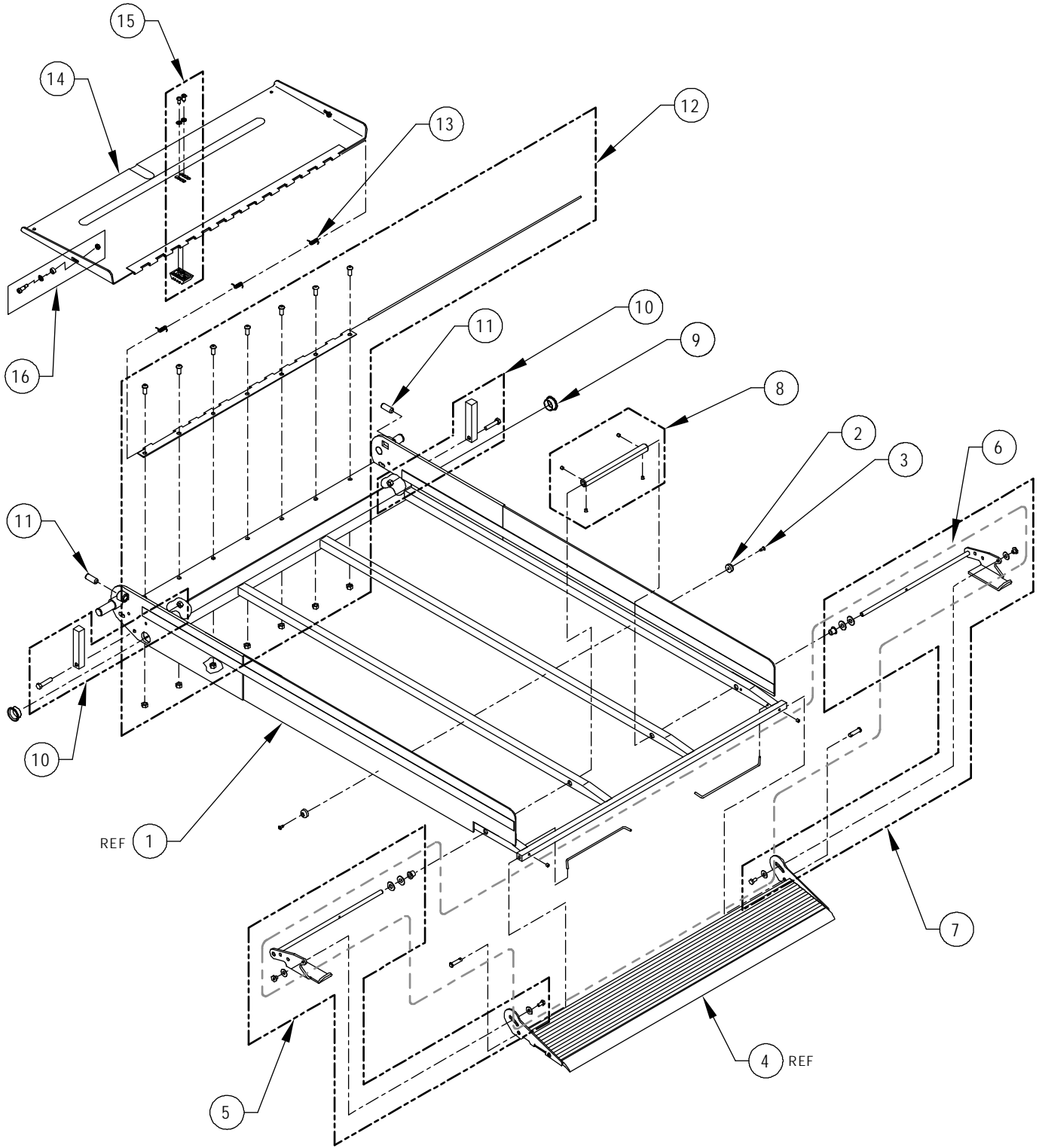


**FIGURE 4-6: S/K-SERIES DOT PUBLIC USE TRAVELING FRAME ASSY**

FIG. ITEM	DESCRIPTION	QTY	CONFIG.	PART NO.
50A *	SET, PINCH POINT SHIELDS (P/N S50XX-XXXXXXX0X)	1	S/K50XX	S50XX-
50B *	SET, PINCH POINT SHIELDS (P/N S50XX-XXXXXXX0X)	1	S/K55XX	S50XX-
51	SCREW, PHP, 10-24 X ½ (BAG OF 10)	1		13304
52	NUT, SPRING, 10-24 U TYPE (BAG OF 10)	1		11799
53	COVER, STOWLOCK, MODULAR	1		36588
54	SCREW, PHP, 1/4-20, TAP TITE, BLK ZINC (BAG OF 10)	2		45529
55	KIT, SOLENOID ASSY, 12V,w/CLIPSPRING	1		V2-ES-127
56	SPRING,STO-LOC RELEASE	1		V2-SP-093
57	CLIP, SPRING, BASE LATCH, SST	1		V2-AC-009
58	ROLLPIN, 1/8" X 1 1/4" (BAG OF 10)	1		36252
59	HOOK, STOWLOCK	1		36251
60	SCREW, PHP, 10-24 X 1/2" TRS	REF		28111T
61	KIT, BRKTS W/CAM FOLLOWER	1	K20XX	31247
62	KIT, GAS SPRING ASSY, TRAVELING FRAME	1	K20XX	19318

**NOTE:** (REF) in QTY column is for Referenced Parts Only and are not sold as spare parts.

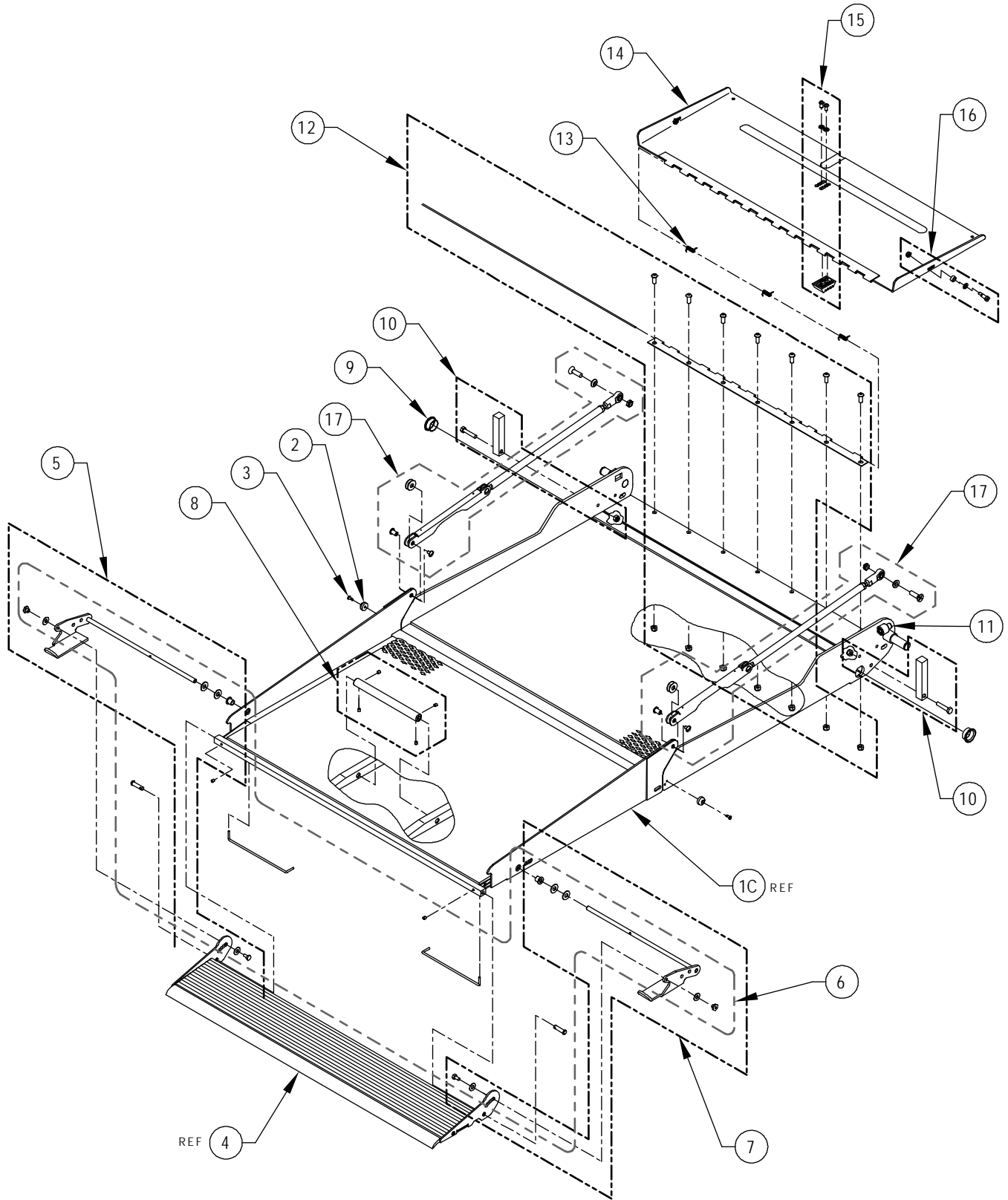
**NOTE:** \* Item or configuration not shown.



NOTE: S-SERIES PLATFORM SHOWN

RSM0000600

FIGURE 4-7.1: S-SERIES DOT PUBLIC USE PLATFORM ASSEMBLY



NOTE: K-SERIES PLATFORM SHOWN

RSM0006900

FIGURE 4-7.2: K-SERIES DOT PUBLIC USE PLATFORM ASSEMBLY

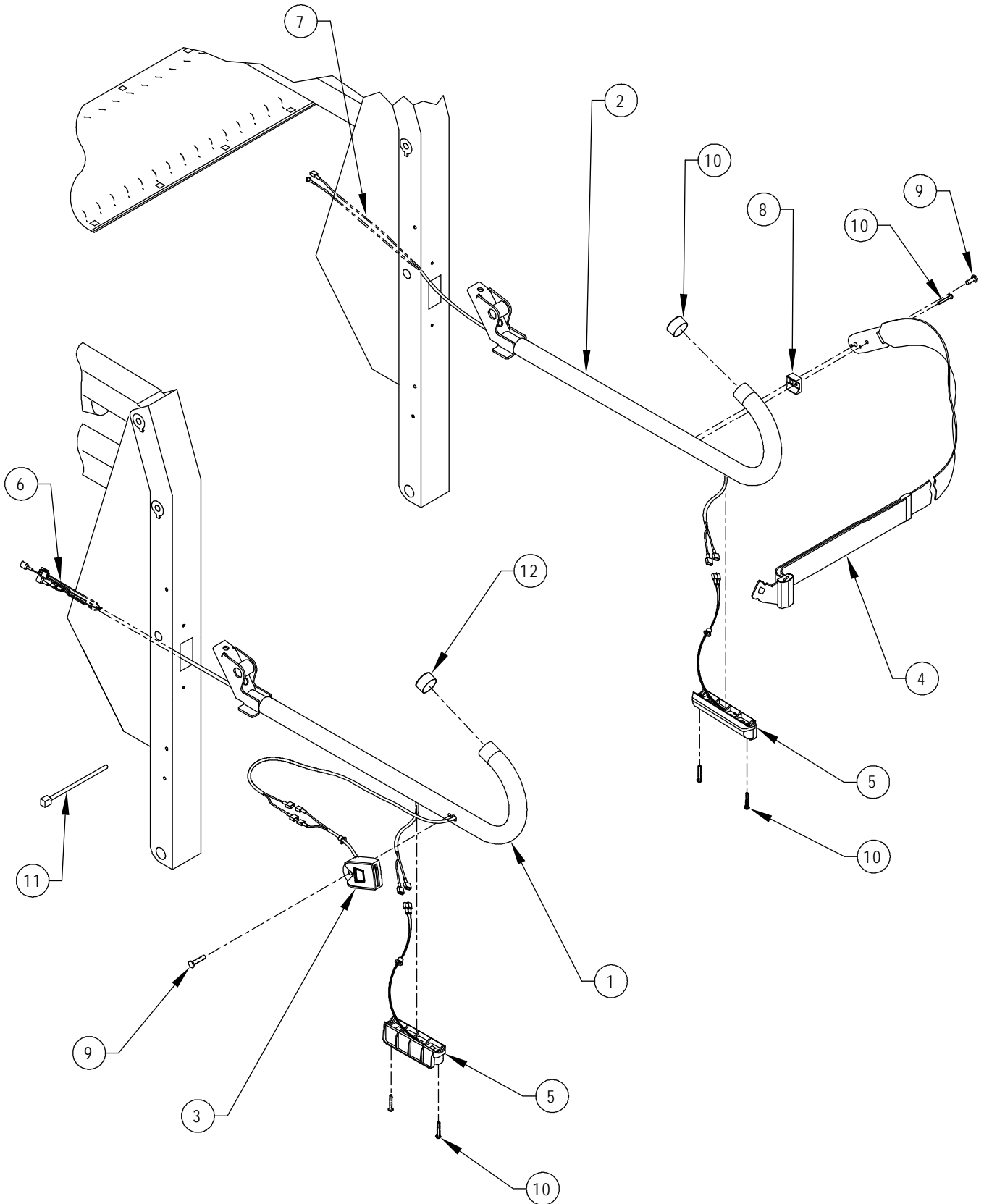
This page intentionally left blank.

**FIGURE 4-7: S/K-SERIES DOT PUBLIC USE PLATFORM ASSY**

FIG. ITEM	DESCRIPTION	QTY	CONFIG.	PART NO.
1	PLATFORM WLDT, SOLID (34" X 54") GREY	REF	S2010	38332
1A *	PLATFORM WLDT, SOLID (34" X 54") GREY	REF	S50XX	38332
1B *	PLATFORM WLDT, SOLID (34" X 54") GREY	REF	S55XX	39925
1C	PLATFORM WLDT, SOLID (34" X 54") GREY	REF	K2010	30871
2	BUMPER, UHMW, .75D X .38T	2		V2-AC-027
3	SCREW, PHP, 8 TEK X 1/2 (BAG OF 10)	1		15961
4	ROLLSTOP ASSY, 6"H X 34"W	1		39953
5	KIT, REPLACEMENT, ROLLSTOP ACTUATOR, LH	1		22903
6	KIT, REPLACEMENT, ROLLSTOP ACTUATOR, RH	1		22902
7	KIT, HARDWARE, ROLLSTOPS	1		110011
8	KIT, COLLAR ROLLSTOP ACTUATOR, 8.25", W/HARDWARE	1		28773
9	KIT, FLANGE BEARING 1"ID (BAG OF 10)	1		19579
10	BLOCK, GREY, PLATFORM LEVEL ADJ	2		VT-AH-142
11	SCREW, HSS, 1/2-20 X 1 1/4 W/NYLOK	2		14403
12	KIT, HINGE, PLATFORM (GREY)	1		32107
13	SPRING, BRIDGEPLATE	3		25463
14	ROLLSTOP WLDT, INNER, 34" (YELLOW WRINKLE)	REF	S2010	32472
15	BLOCK, BASE LATCH, RATCHET ( <i>SUPERSEDED P/N 36576</i> )	1		V2-AC-103
16	KIT, SPACER, BRIDGEPLATE	2		42038
17	KIT, LINK ASSY, FRONT & REAR, YELLOW	2	K20XX	34523
	KIT, LINK ASSY, FRONT & REAR, YELLOW	2	K55XX	34523

**NOTE:** (REF) in QTY column is for Referenced Parts Only and are not sold as spare parts.

**NOTE:** \* Item or configuration not shown.



RSM0000700

FIGURE 4-8: S/K-SERIES DOT PUBLIC USE HANDRAILS

FIGURE 4-8: S/K-SERIES DOT PUBLIC USE HANDRAILS ASSY

FIG. ITEM	DESCRIPTION	QTY	CONFIG.	PART NO.
1	HANDRAIL WLDT, LH (YELLOW)	REF		35791
2	HANDRAIL WLDT, RH (YELLOW)	REF		35790
3	KIT, BUCKLE ASSY, W/SWITCH & HARDWARE	1		22017
4	STRAP ASSY, STRAIGHT SLIDER	1		37976
5	LIGHT ASSY, PLATFORM	2		32478
6	HARNESS, BELT & HANDRAIL LIGHT	1		37348
7	HARNESS, HANDRAIL LIGHT	1		37346
8	SPACER, TRANSIT HANDRAIL	1		V2-AC-063
9	SCREW, HEX, 5/16-18 X 1 SST (BAG OF 10)	2		19706
10	SCREW, PHP, 8TEK X 3/4 (BAG OF 10)	1		15911
11	CABLE TIE, 5.5" (NAT)	REF		25520
12	CAP, ROUND, BLK, CAPLUG MFG.NO. FCR-20	2		25550

**NOTE:** (REF) in QTY column is for Referenced Parts Only and are not sold as spare parts.

**NOTE:** \* Item or configuration not shown.

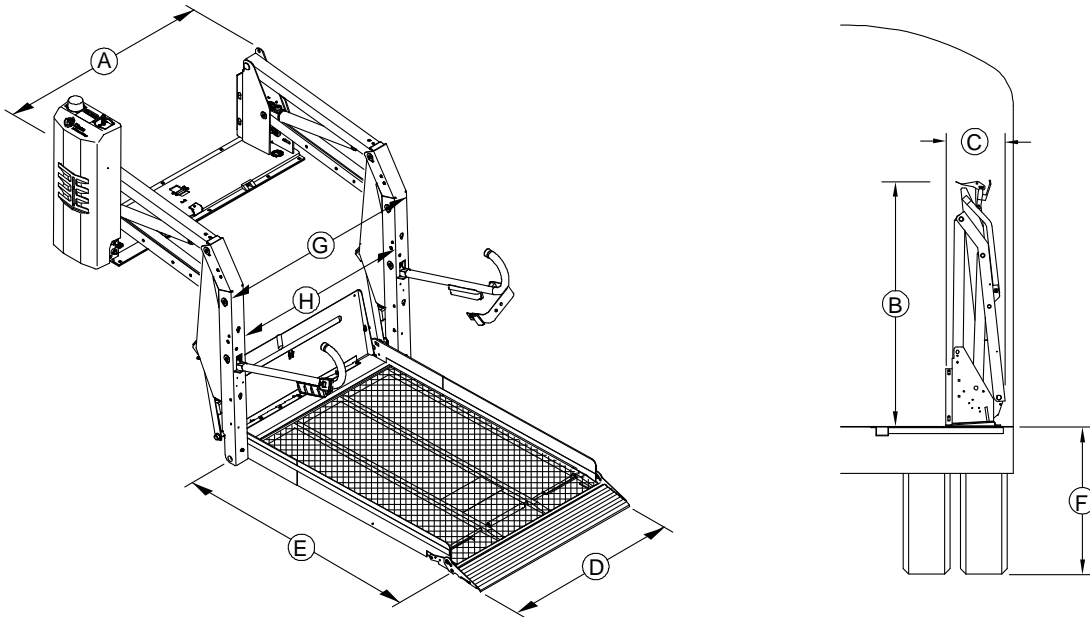
This page intentionally left blank.



**APPENDIX 1**

**LIFT SPECIFICATIONS**

<b>S/K-SERIES PUBLIC USE WHEELCHAIR LIFT</b>			
Power .....	electro-hydraulic	Rated load capacity, max .....	800 lbs
Motor rating@12 volts DC .....	65 amp avg/cycle, 1500 psi	Manual backup-up .....	hand pump
Motor rating@24 volts DC .....	32.5 amp avg/cycle, 1500 psi	Manual backup-down.....	pressure release valve
Hydraulic cylinders.....	2ea, 1.5", power up – gravity down	Lift weight.....	approx 340 - 370 lbs



RSM0000800

**DIMENSIONS (inches/millimeters)**

<b>MODEL</b>	<b>A</b>	<b>B</b>	<b>C</b>	<b>D</b>	<b>E</b>	<b>F</b>	<b>G</b>	<b>H</b>
	Stationary frame width	Height (folded)	Installation depth (folded)	Usable platform width	Usable platform length	Floor-to-ground travel	Traveling frame width	Clear entry width
S2005	47 / 1194	55 / 1397	14 / 356	32 / 813	51 / 1295	42 / 1067	40 / 1016	32 / 813
S2010	49 / 1245	55 / 1397	14 / 356	34 / 864	54 / 1372	42 / 1067	42 / 1067	34 / 864
S5005	47 / 1194	58 / 1473	14 / 356	32 / 813	51 / 1295	48 / 1219	40 / 1016	32 / 813
S5010	49 / 1245	58 / 1473	14 / 356	34 / 864	54 / 1372	48 / 1219	42 / 1067	34 / 864
S5505	47 / 1194	58 / 1473	14 / 356	32 / 813	51 / 1295	51 / 1295	40 / 1016	32 / 813
S5510	49 / 1245	58 / 1473	14 / 356	34 / 864	54 / 1372	51 / 1295	42 / 1067	34 / 864
K2005	47 / 1194	55 / 1397	17 / 432	32 / 813	51 / 1295	37 / 940	40 / 1016	32 / 813
K2010	49 / 1245	55 / 1397	17 / 432	34 / 864	54 / 1372	37 / 940	42 / 1067	34 / 864
K5005	47 / 1194	58 / 1473	17 / 432	32 / 813	51 / 1295	43 / 1092	40 / 1016	32 / 813
K5010	49 / 1245	58 / 1473	17 / 432	34 / 864	54 / 1372	43 / 1092	42 / 1067	34 / 864
K5505	47 / 1194	58 / 1473	17 / 432	32 / 813	51 / 1295	48 / 1219	40 / 1016	32 / 813
K5510	49 / 1245	58 / 1473	17 / 432	34 / 864	54 / 1372	48 / 1219	42 / 1067	34 / 864

**END OF TABLE**

**NOTES:**

*-BACK TO TOP-*