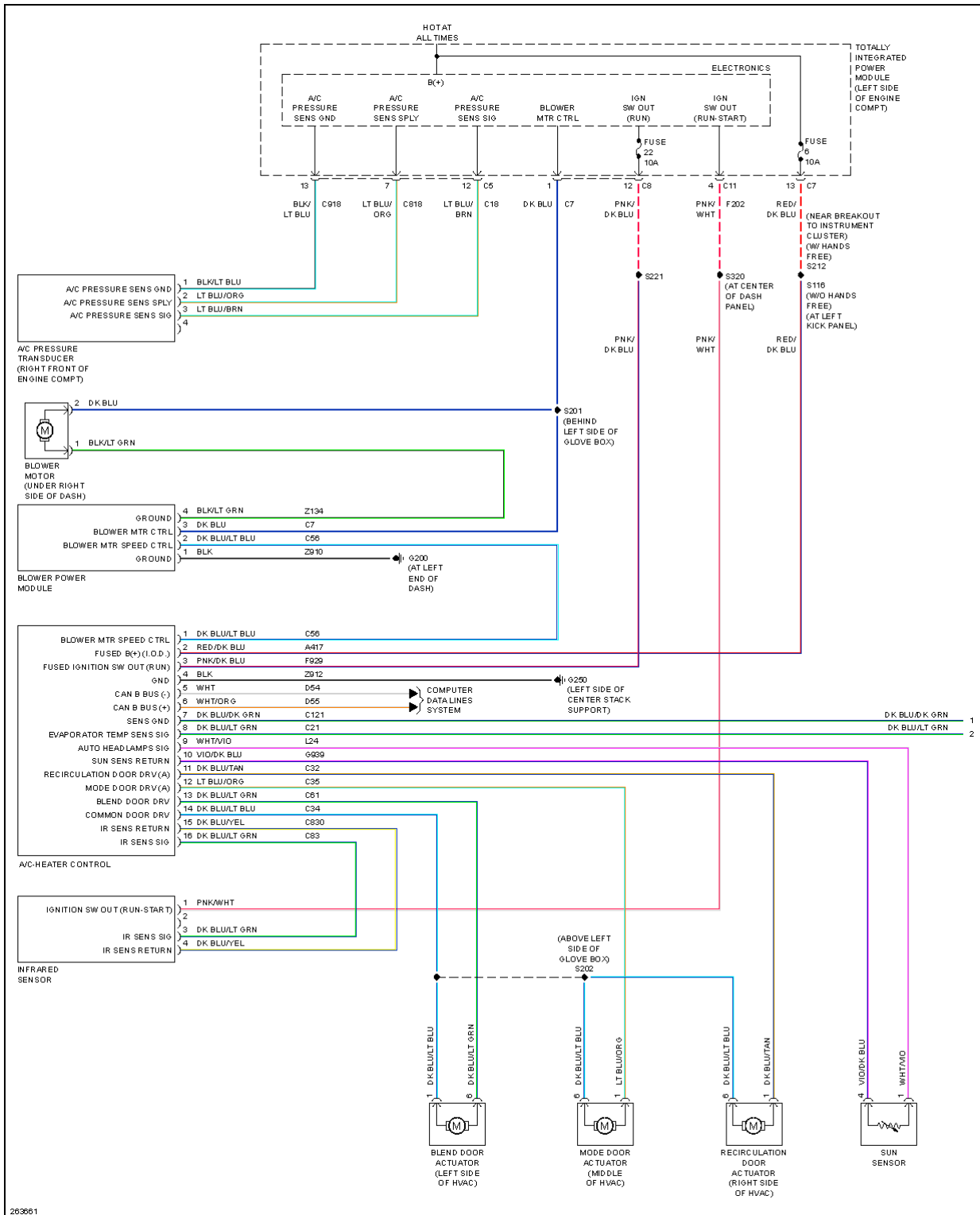


# AIR CONDITIONING

# 2007 Chrysler Sebring Limited

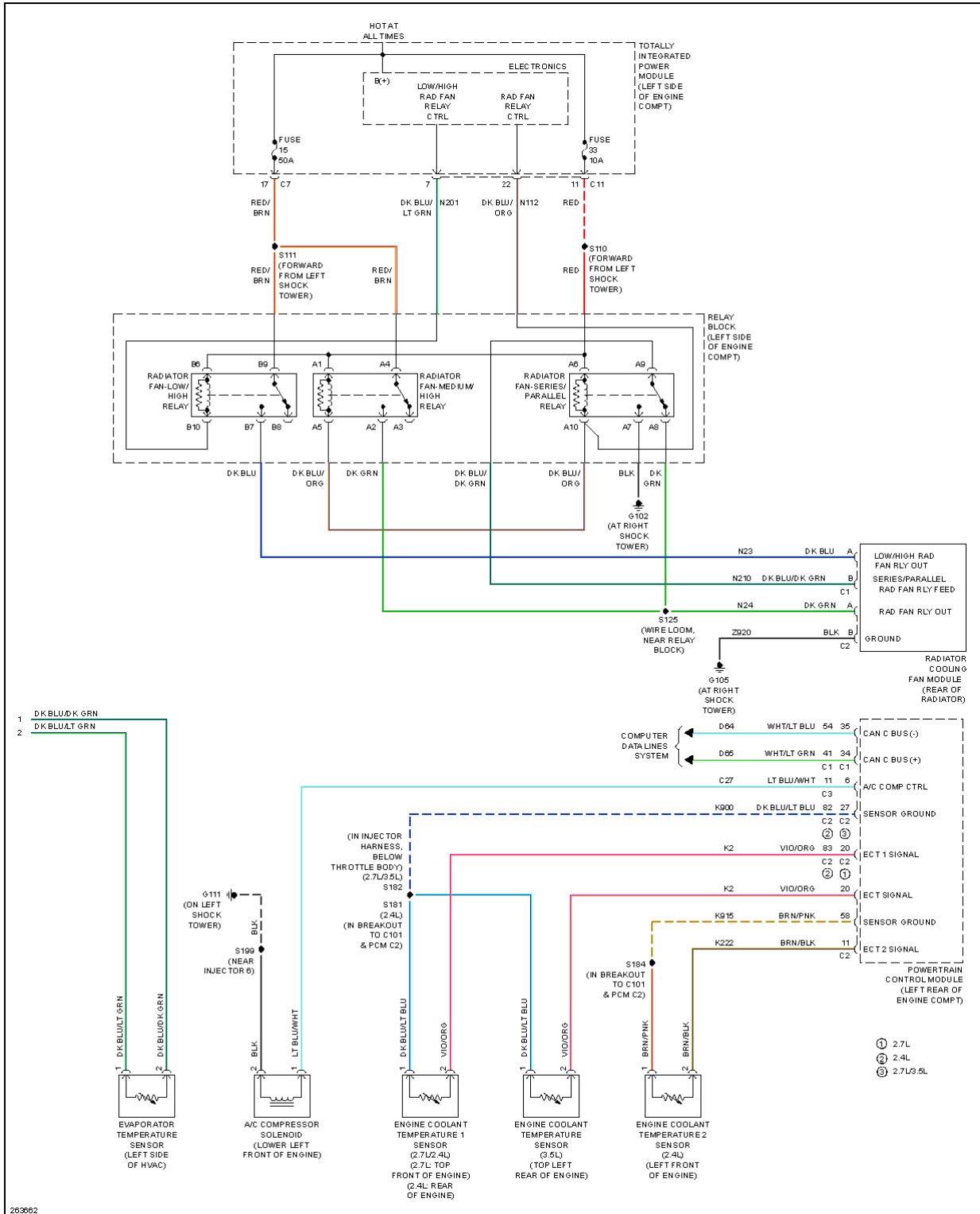
## 2007 SYSTEM WIRING DIAGRAMS Chrysler - Sebring 4D Sedan



**Fig. 1: Automatic A/C Circuit (1 of 2)**

# 2007 Chrysler Sebring Limited

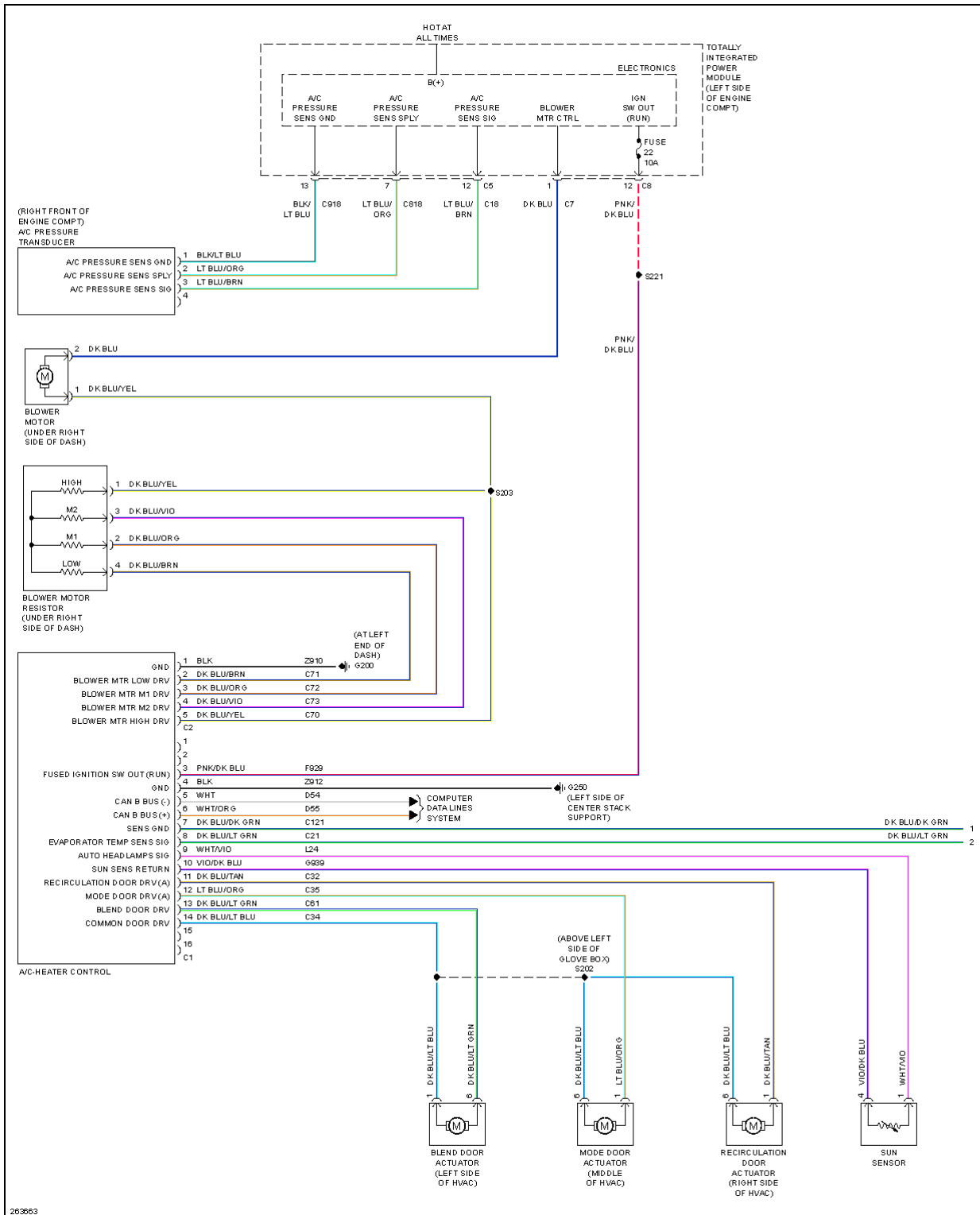
## 2007 SYSTEM WIRING DIAGRAMS Chrysler - Sebring 4D Sedan



**Fig. 2: Automatic A/C Circuit (2 of 2)**

# 2007 Chrysler Sebring Limited

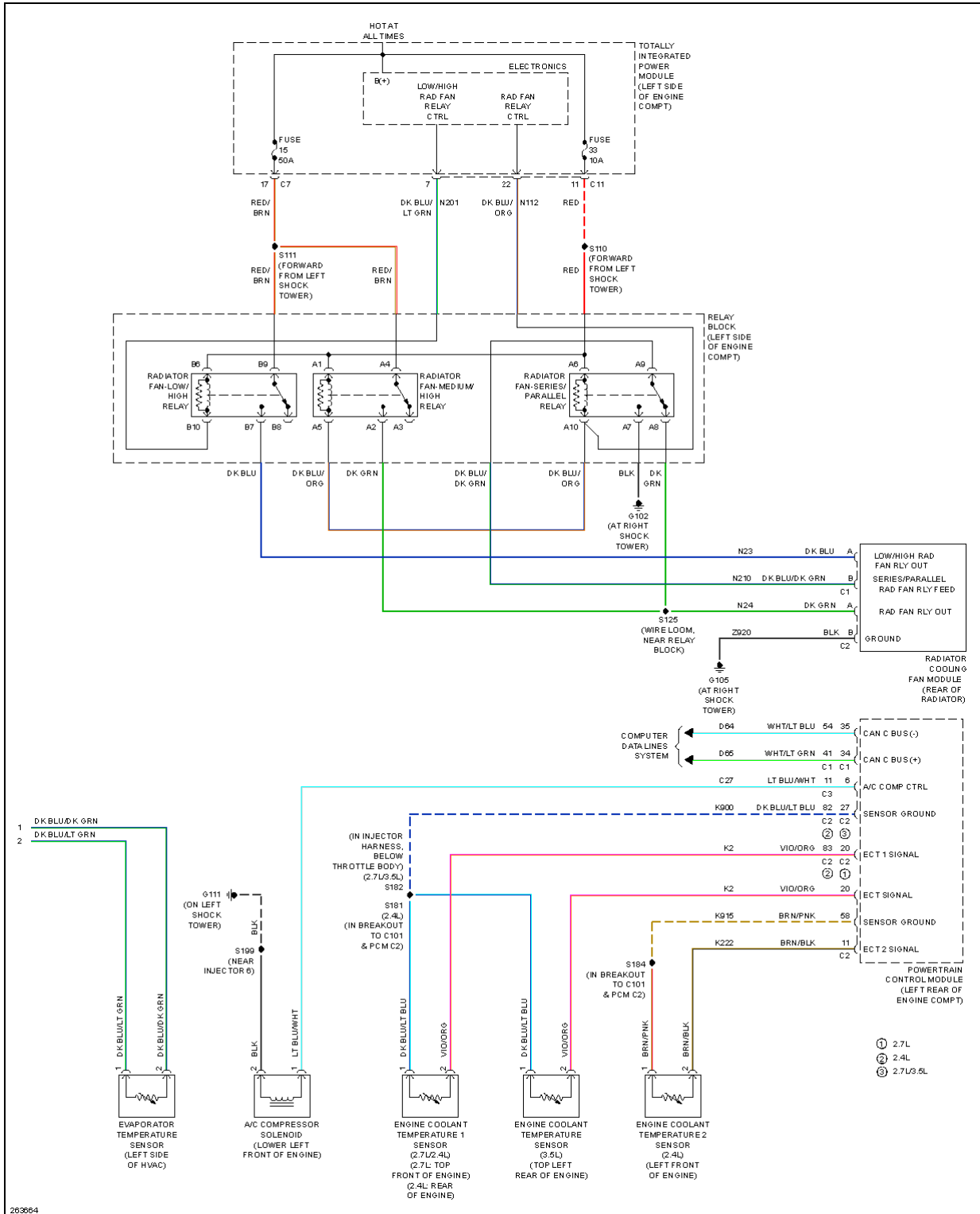
## 2007 SYSTEM WIRING DIAGRAMS Chrysler - Sebring 4D Sedan



**Fig. 3: Manual A/C Circuit (1 of 2)**

# 2007 Chrysler Sebring Limited

## 2007 SYSTEM WIRING DIAGRAMS Chrysler - Sebring 4D Sedan



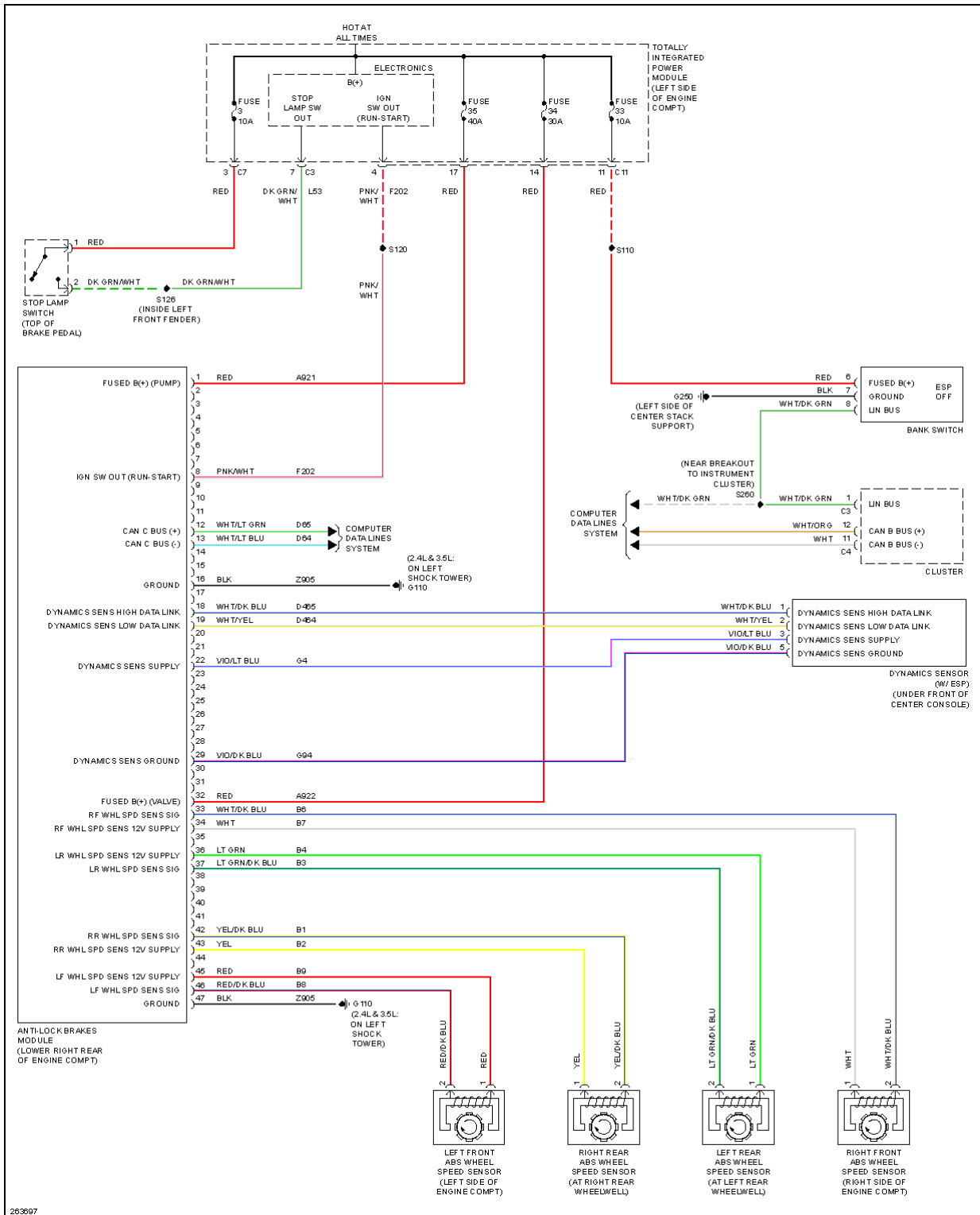


**Fig. 4: Manual A/C Circuit (2 of 2)**

**ANTI-LOCK BRAKES**

# 2007 Chrysler Sebring Limited

## 2007 SYSTEM WIRING DIAGRAMS Chrysler - Sebring 4D Sedan

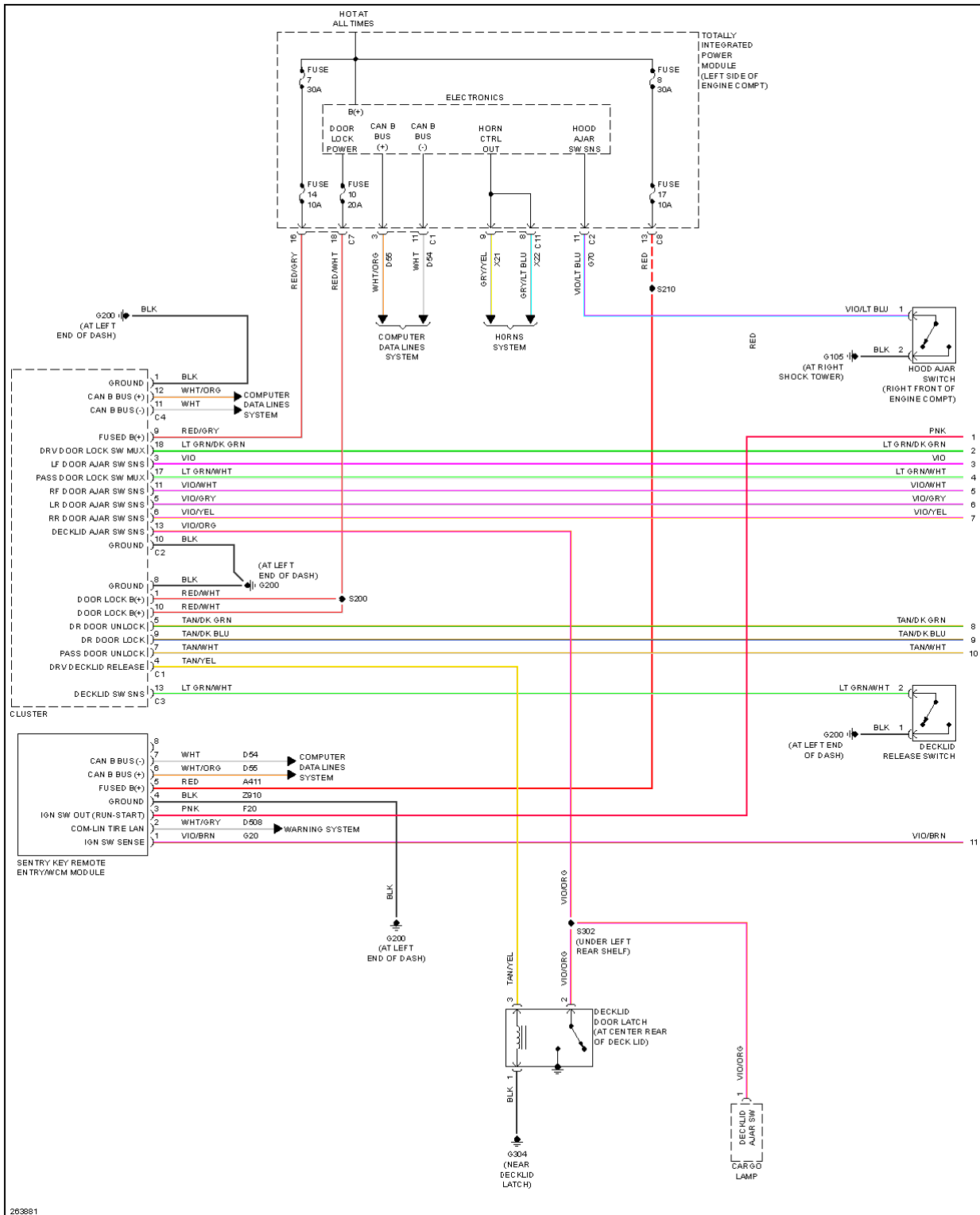


**Fig. 5: Anti-lock Brakes Circuit**

**ANTI-THEFT**

# 2007 Chrysler Sebring Limited

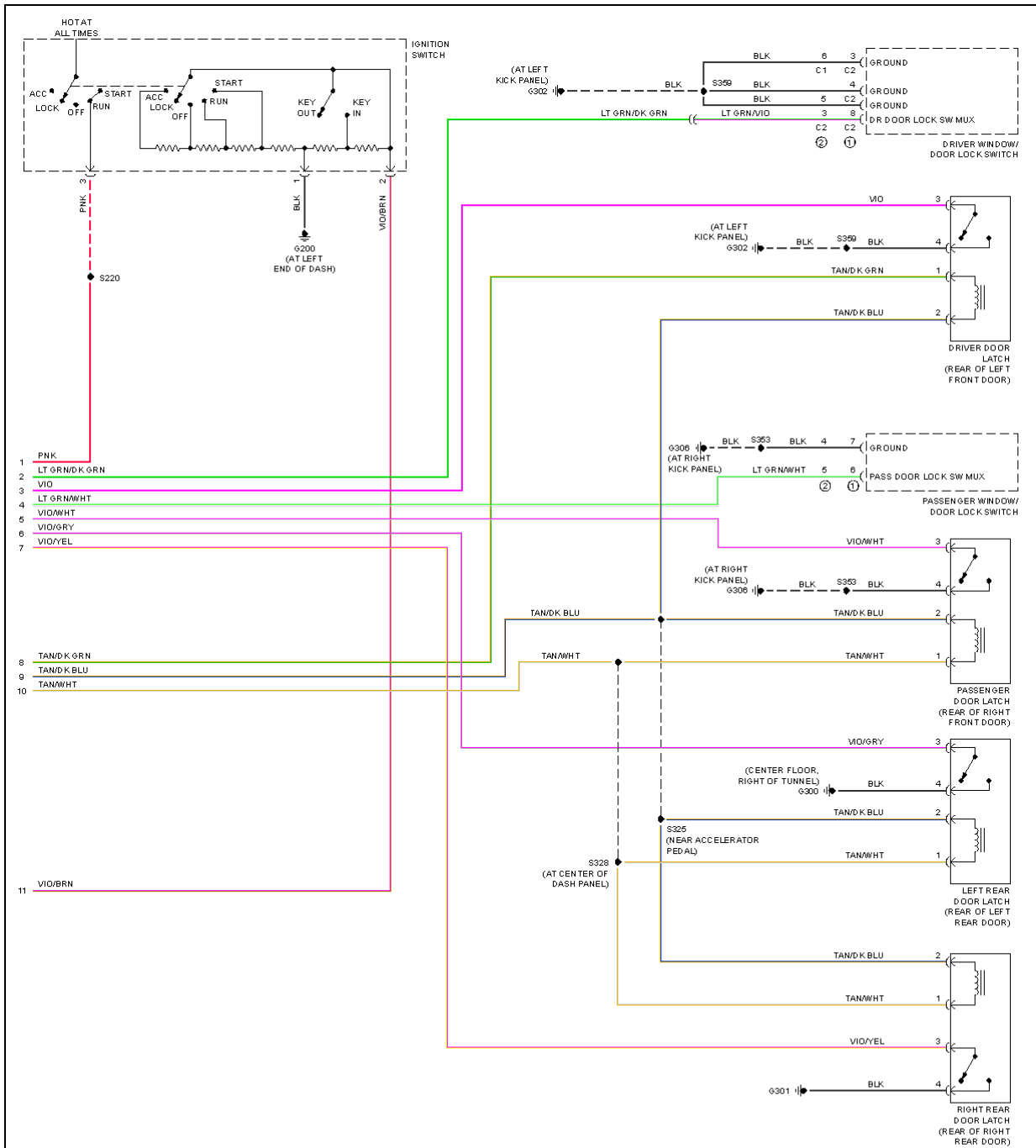
## 2007 SYSTEM WIRING DIAGRAMS Chrysler - Sebring 4D Sedan



**Fig. 6: Anti-theft Circuit (1 of 2)**

# 2007 Chrysler Sebring Limited

## 2007 SYSTEM WIRING DIAGRAMS Chrysler - Sebring 4D Sedan



① EXCEPT EXPRESS WINDOWS

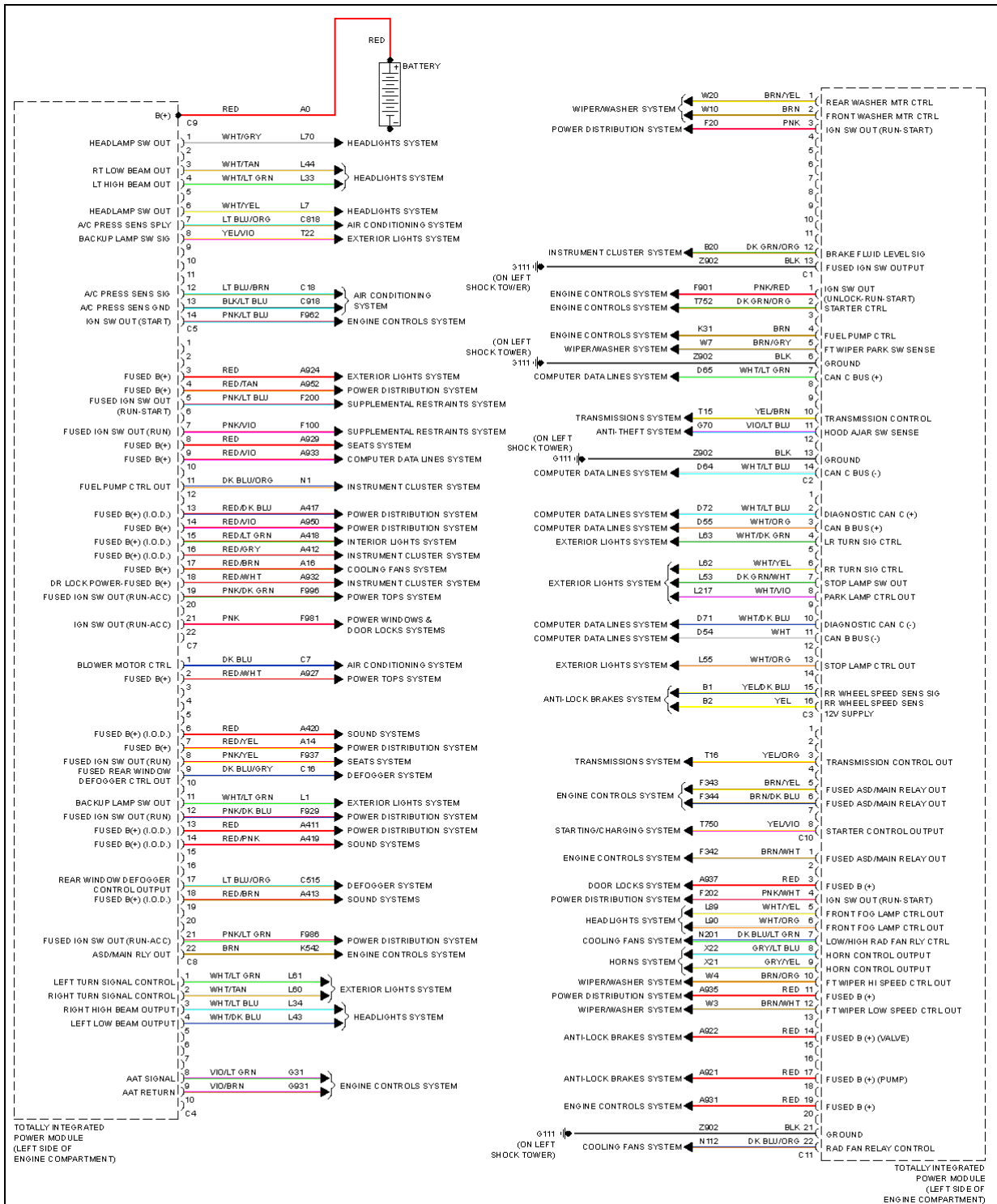
② EXPRESS WINDOWS

**Fig. 7: Anti-theft Circuit (2 of 2)**

**BODY CONTROL MODULES**

# 2007 Chrysler Sebring Limited

## 2007 SYSTEM WIRING DIAGRAMS Chrysler - Sebring 4D Sedan



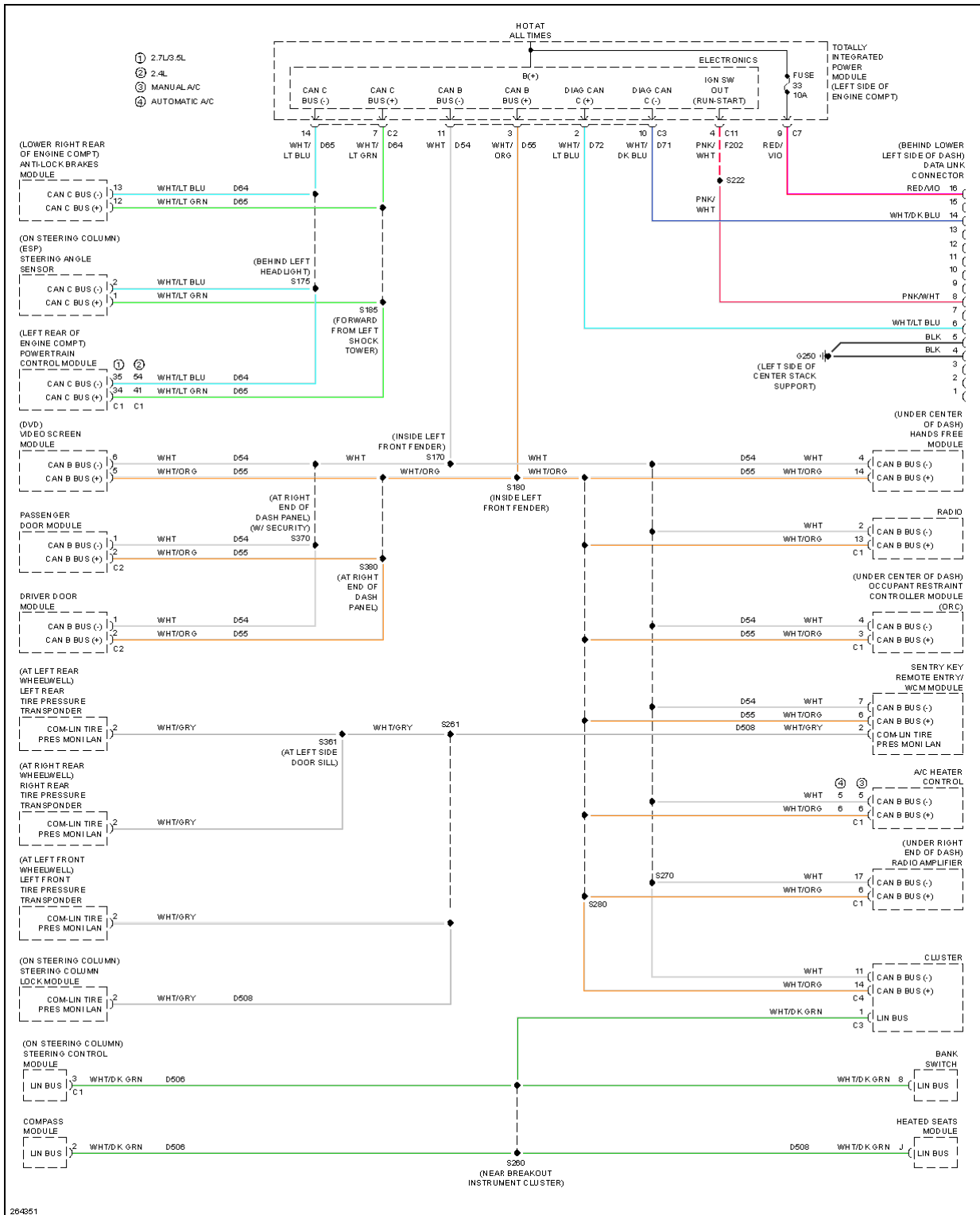


**Fig. 8: Body Control Modules Circuit**

**COMPUTER DATA LINES**

# 2007 Chrysler Sebring Limited

## 2007 SYSTEM WIRING DIAGRAMS Chrysler - Sebring 4D Sedan

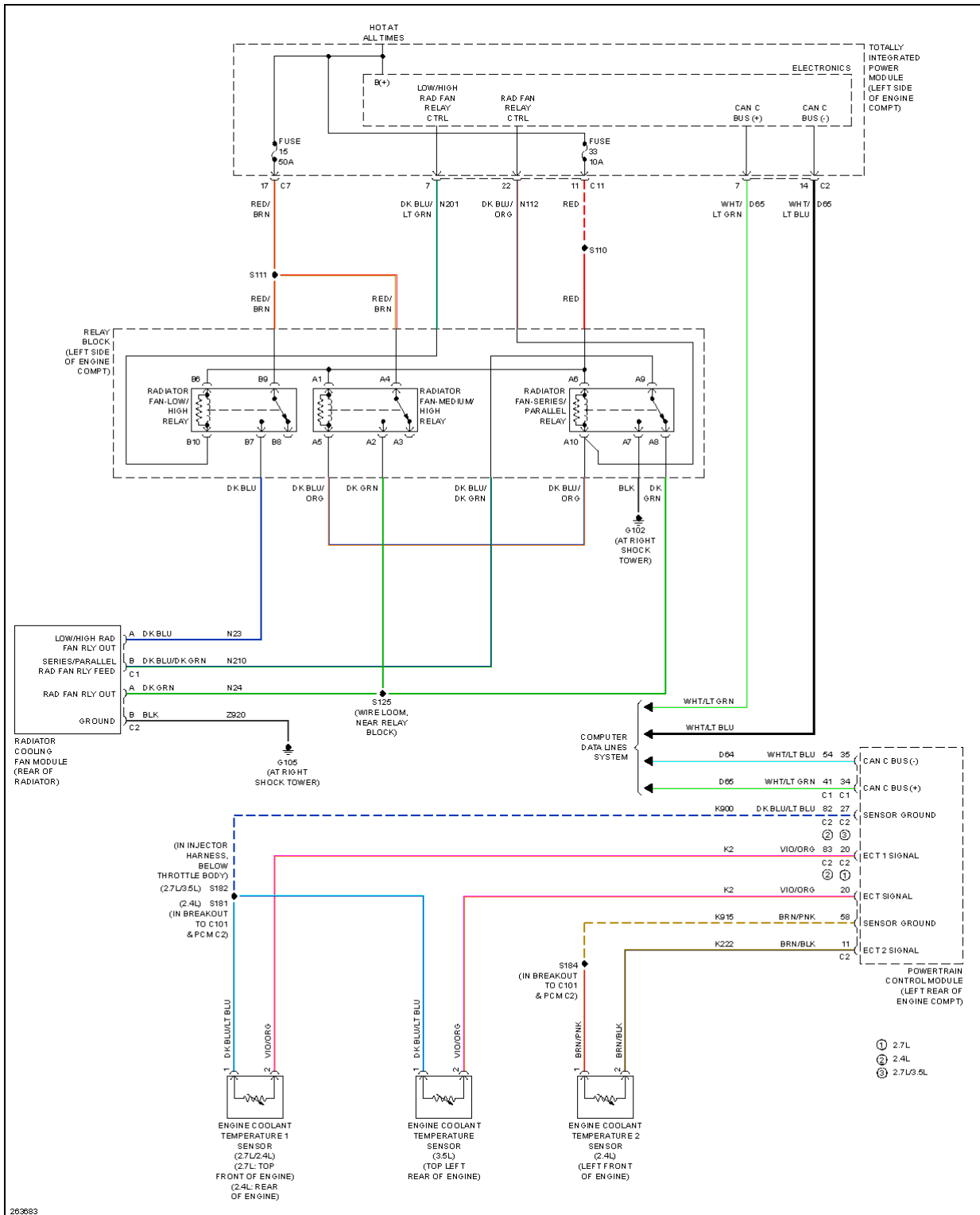


**Fig. 9: Computer Data Lines Circuit**

**COOLING FAN**

# 2007 Chrysler Sebring Limited

## 2007 SYSTEM WIRING DIAGRAMS Chrysler - Sebring 4D Sedan



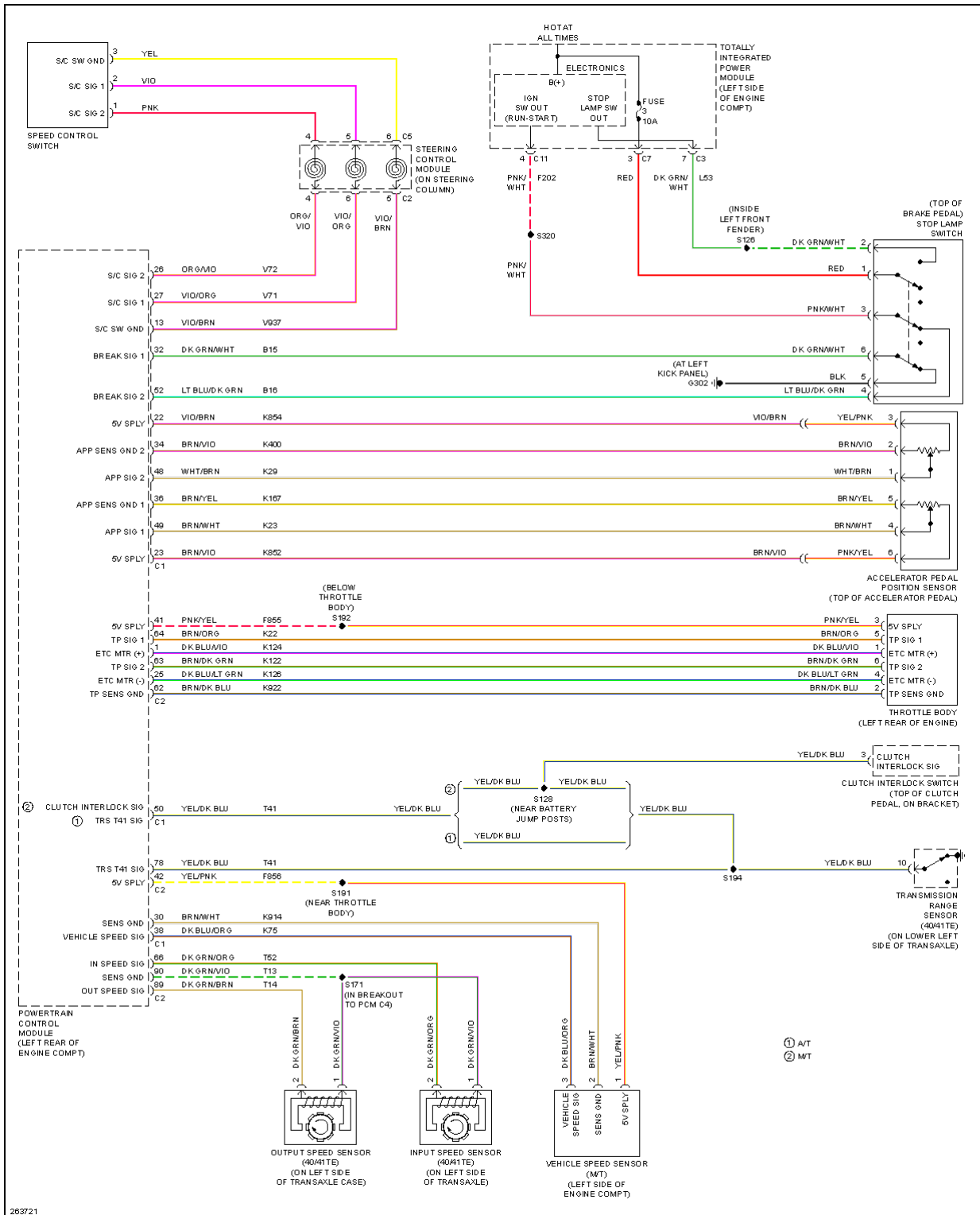
**Fig. 10: Cooling Fan Circuit**

**CRUISE CONTROL**

**2.4L**

# 2007 Chrysler Sebring Limited

## 2007 SYSTEM WIRING DIAGRAMS Chrysler - Sebring 4D Sedan

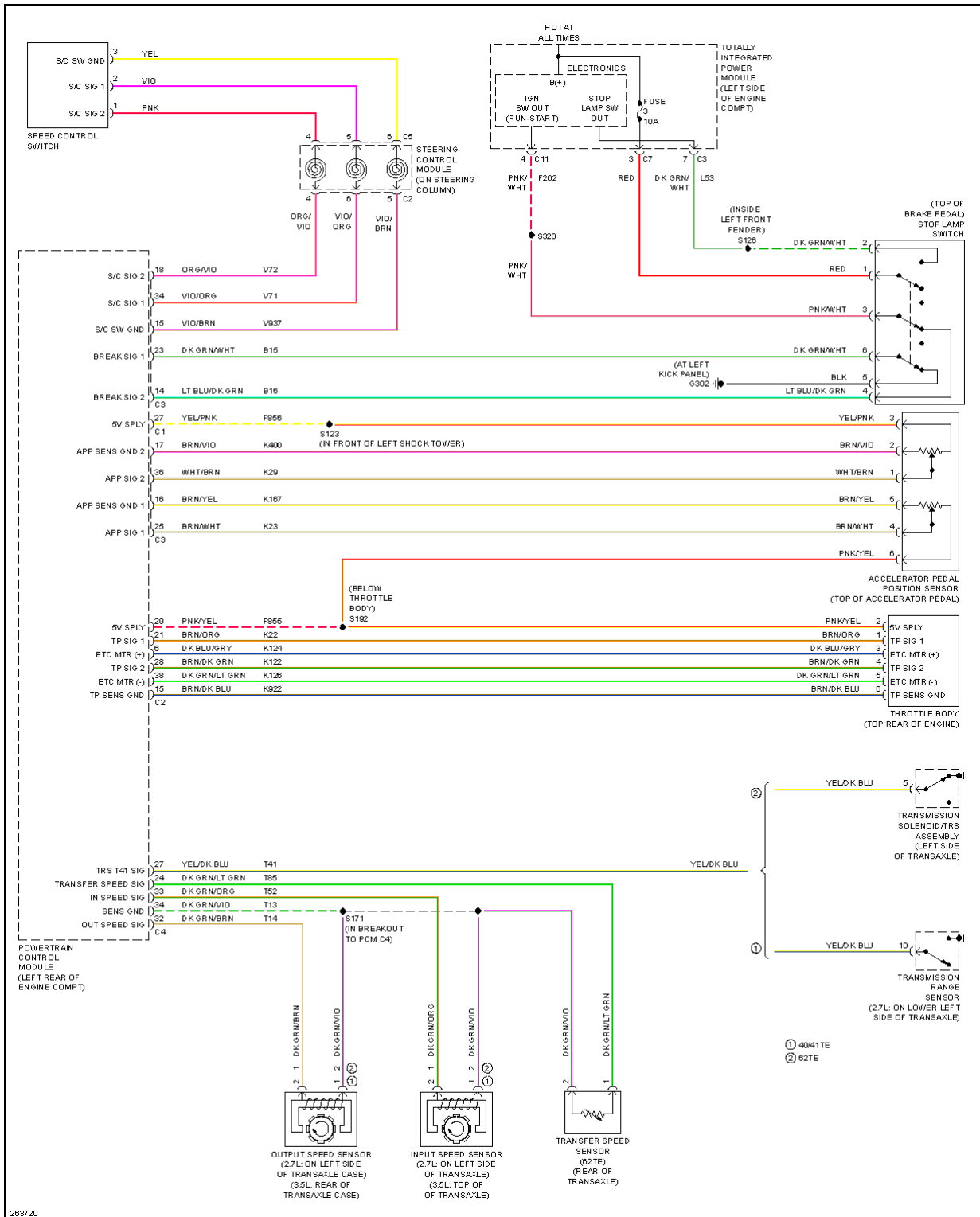


**Fig. 11: 2.4L, Cruise Control Circuit**

2.7L

# 2007 Chrysler Sebring Limited

## 2007 SYSTEM WIRING DIAGRAMS Chrysler - Sebring 4D Sedan



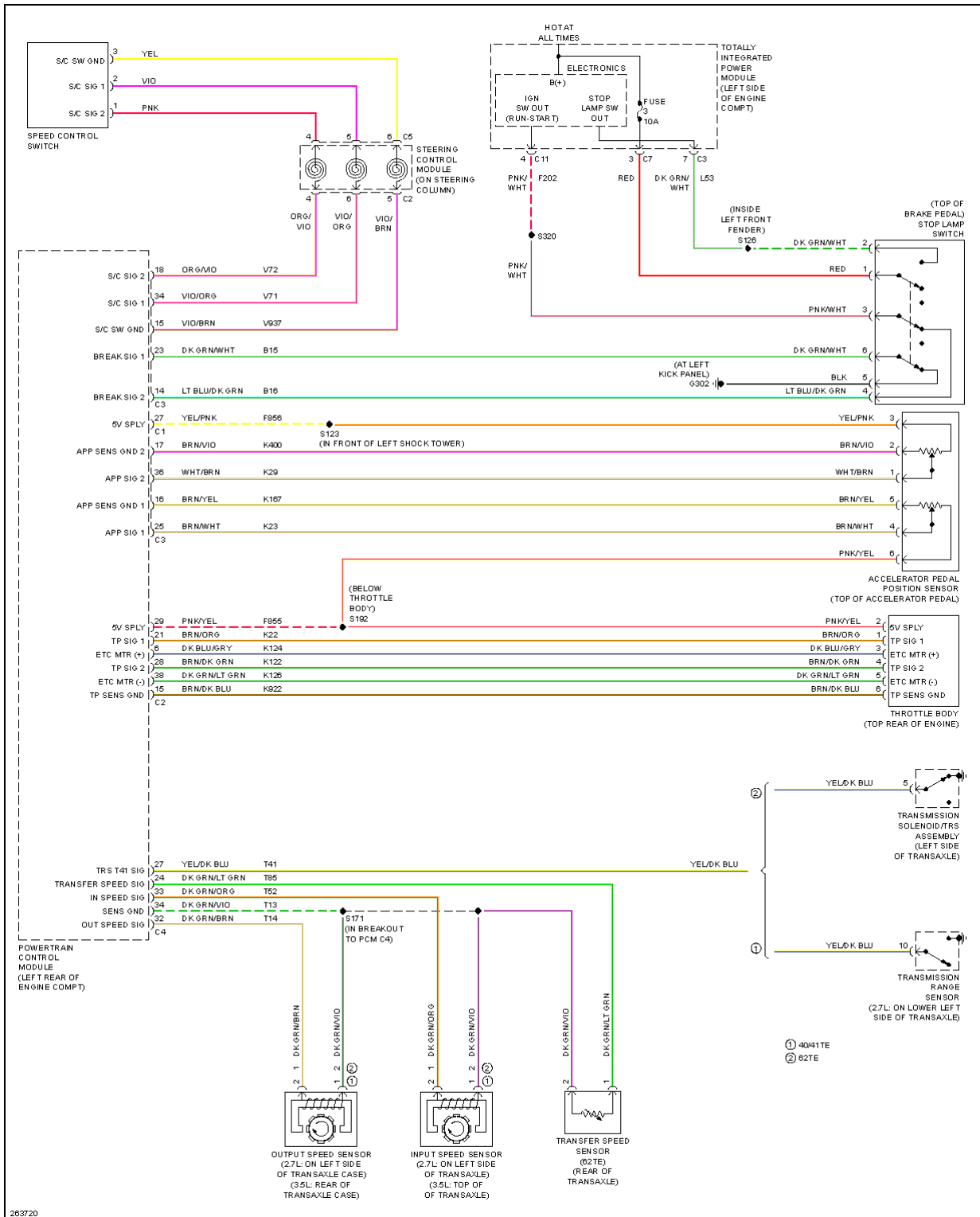


**Fig. 12: 2.7L, Cruise Control Circuit**

**3.5L**

# 2007 Chrysler Sebring Limited

## 2007 SYSTEM WIRING DIAGRAMS Chrysler - Sebring 4D Sedan

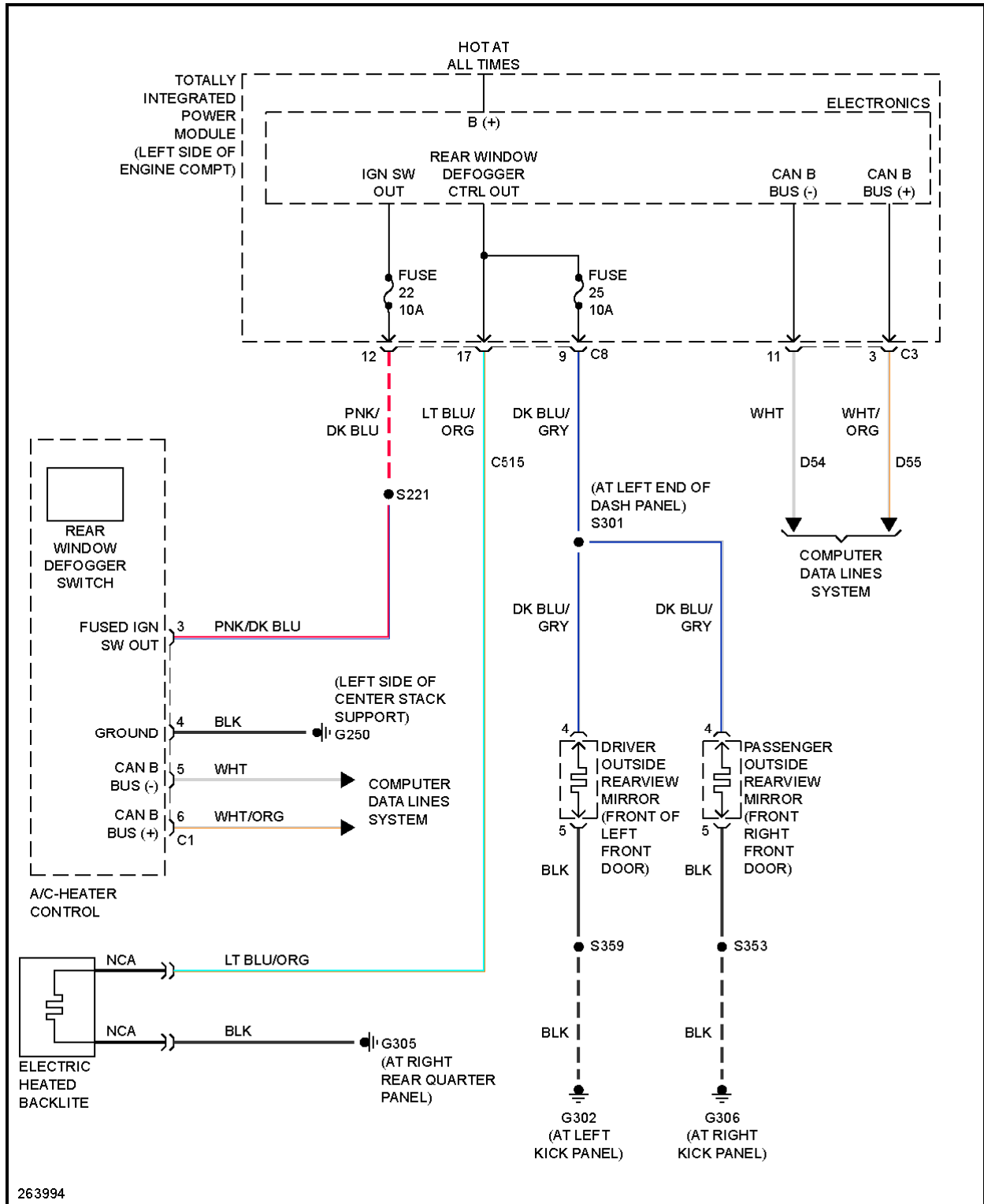


**Fig. 13: 3.5L, Cruise Control Circuit**

**DEFOGGERS**

# 2007 Chrysler Sebring Limited

## 2007 SYSTEM WIRING DIAGRAMS Chrysler - Sebring 4D Sedan

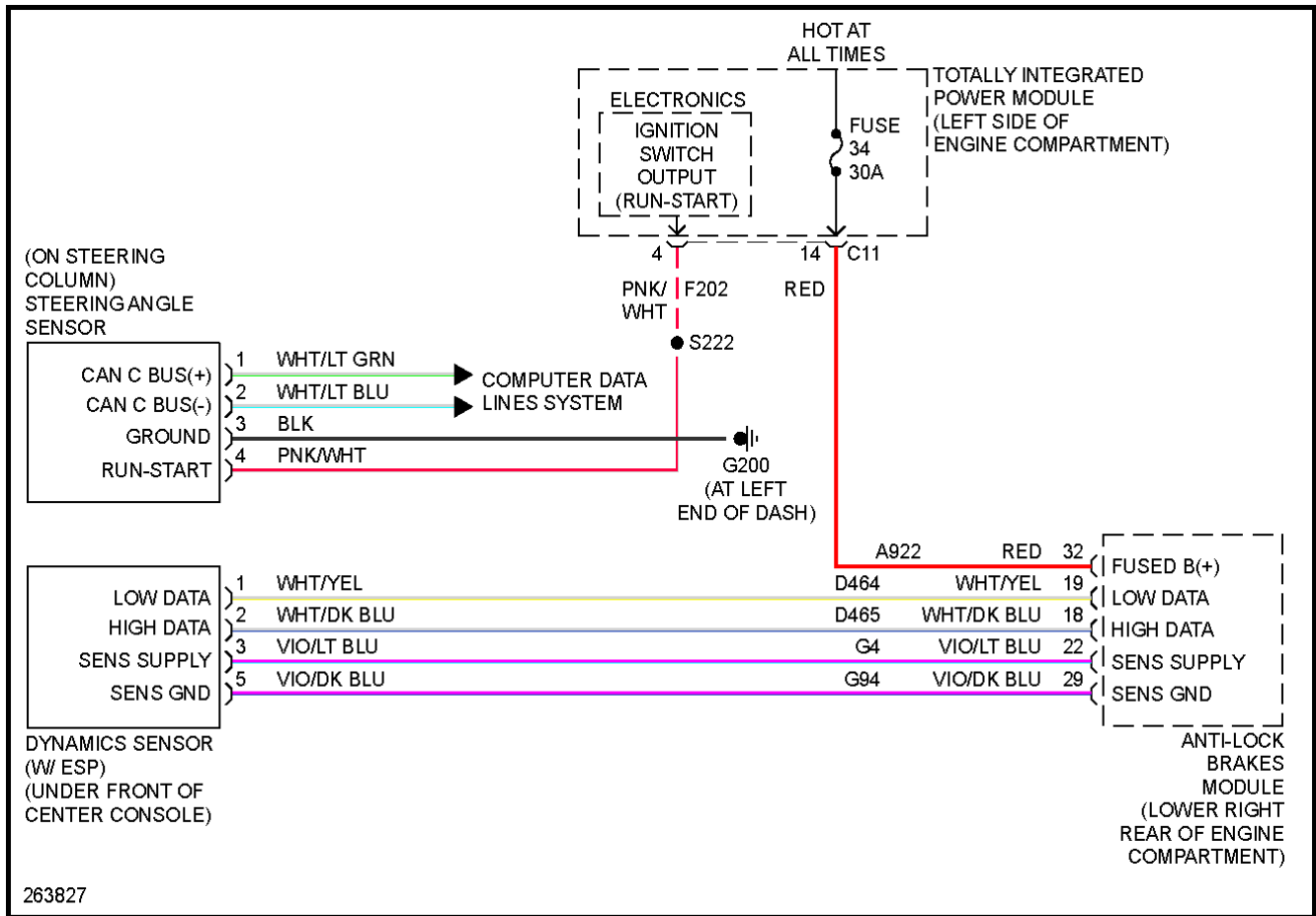


**Fig. 14: Defoggers Circuit**

**ELECTRONIC POWER STEERING**

# 2007 Chrysler Sebring Limited

## 2007 SYSTEM WIRING DIAGRAMS Chrysler - Sebring 4D Sedan



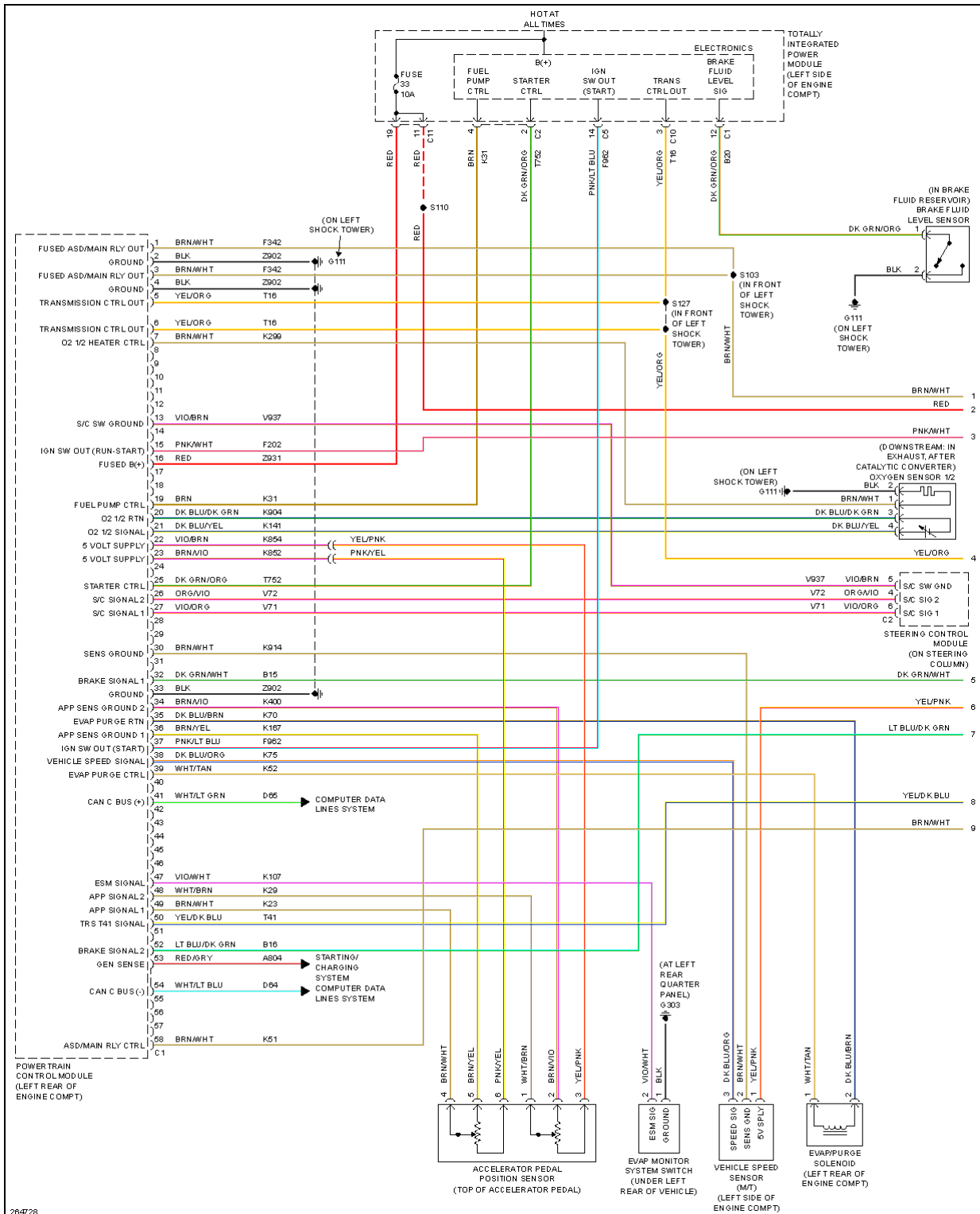
**Fig. 15: Electronic Power Steering Circuit**

**ENGINE PERFORMANCE**

2.4L

# 2007 Chrysler Sebring Limited

## 2007 SYSTEM WIRING DIAGRAMS Chrysler - Sebring 4D Sedan

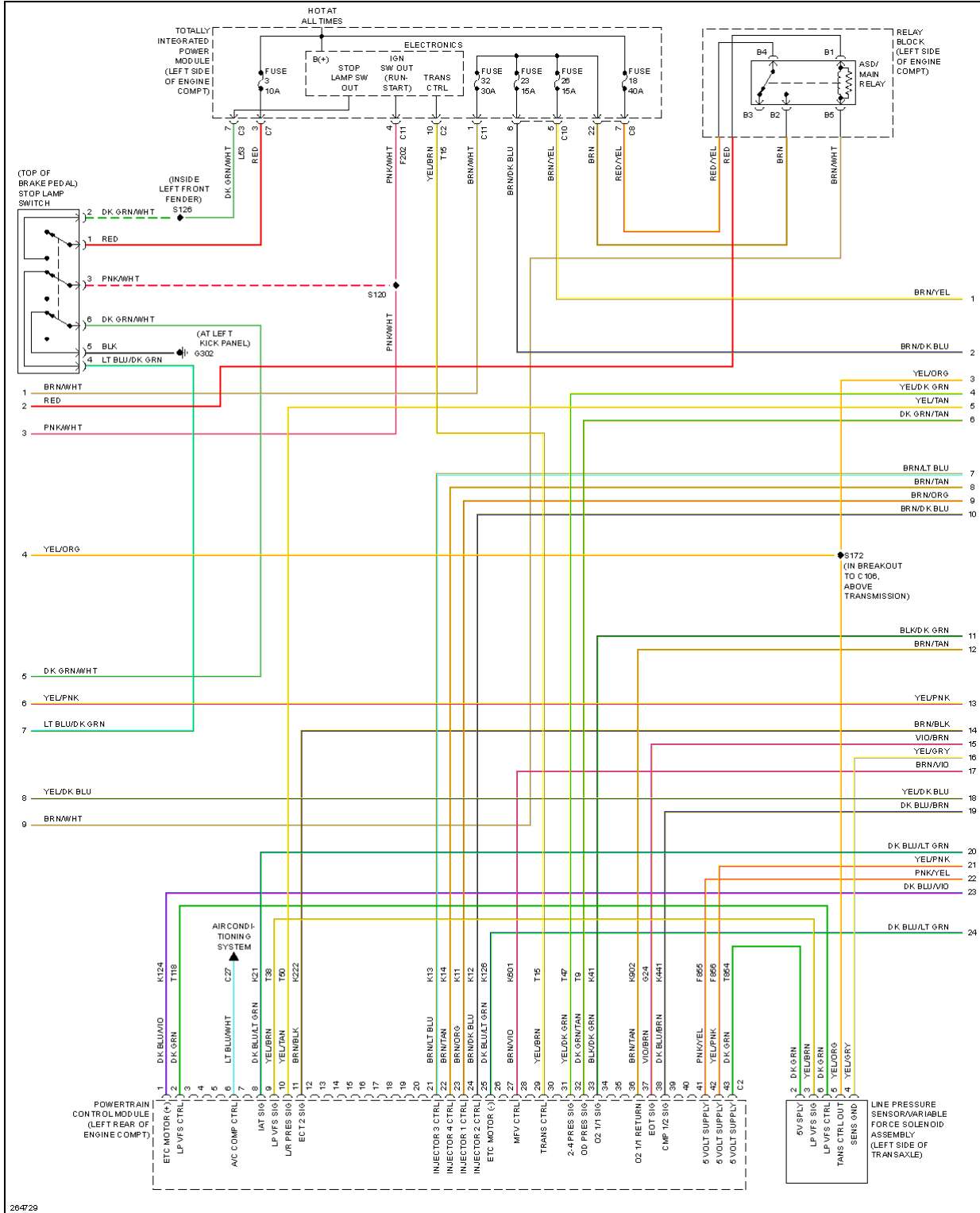




**Fig. 16: 2.4L, Engine Performance Circuit (1 of 4)**

# 2007 Chrysler Sebring Limited

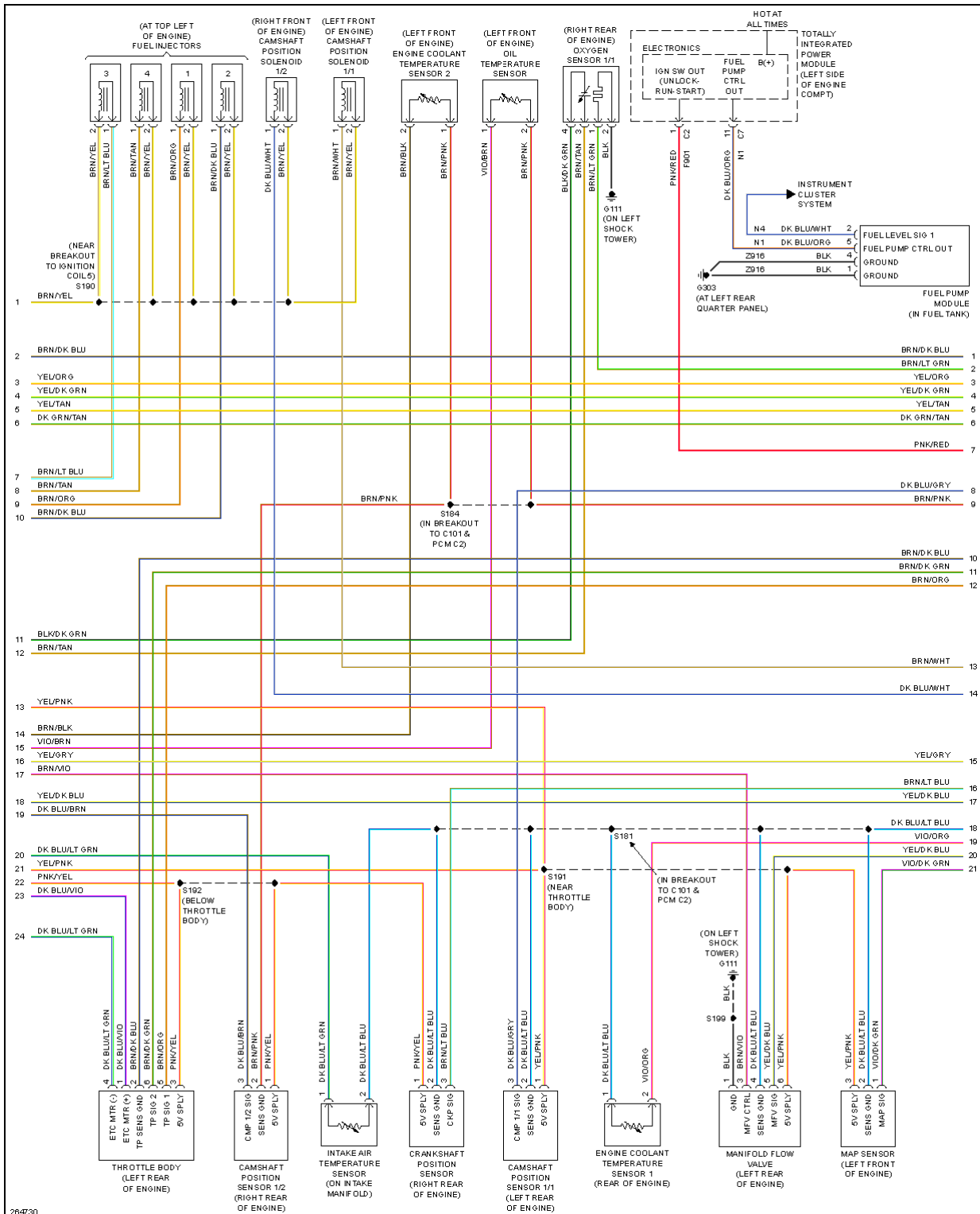
## 2007 SYSTEM WIRING DIAGRAMS Chrysler - Sebring 4D Sedan



**Fig. 17: 2.4L, Engine Performance Circuit (2 of 4)**

# 2007 Chrysler Sebring Limited

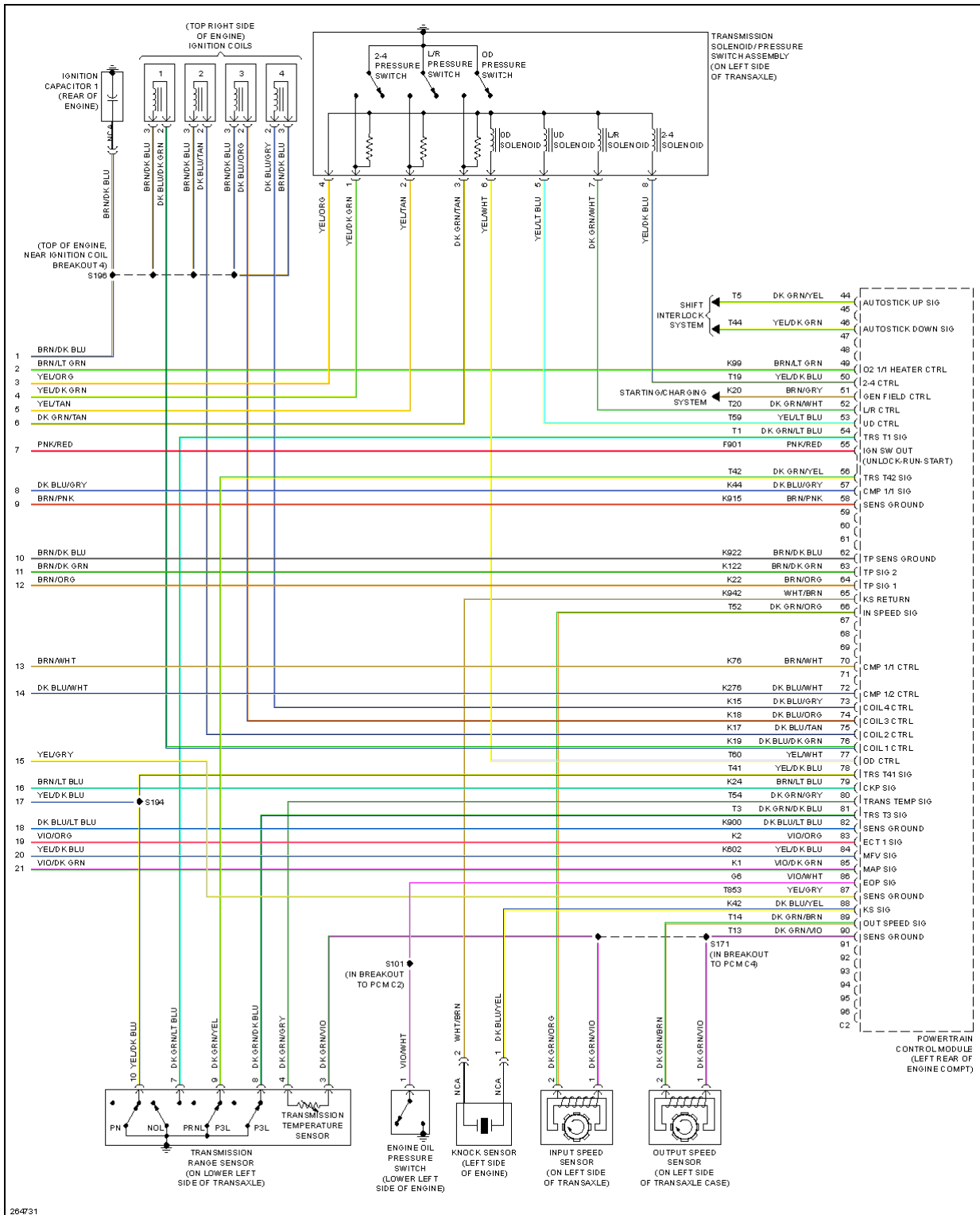
## 2007 SYSTEM WIRING DIAGRAMS Chrysler - Sebring 4D Sedan



**Fig. 18: 2.4L, Engine Performance Circuit (3 of 4)**

# 2007 Chrysler Sebring Limited

## 2007 SYSTEM WIRING DIAGRAMS Chrysler - Sebring 4D Sedan

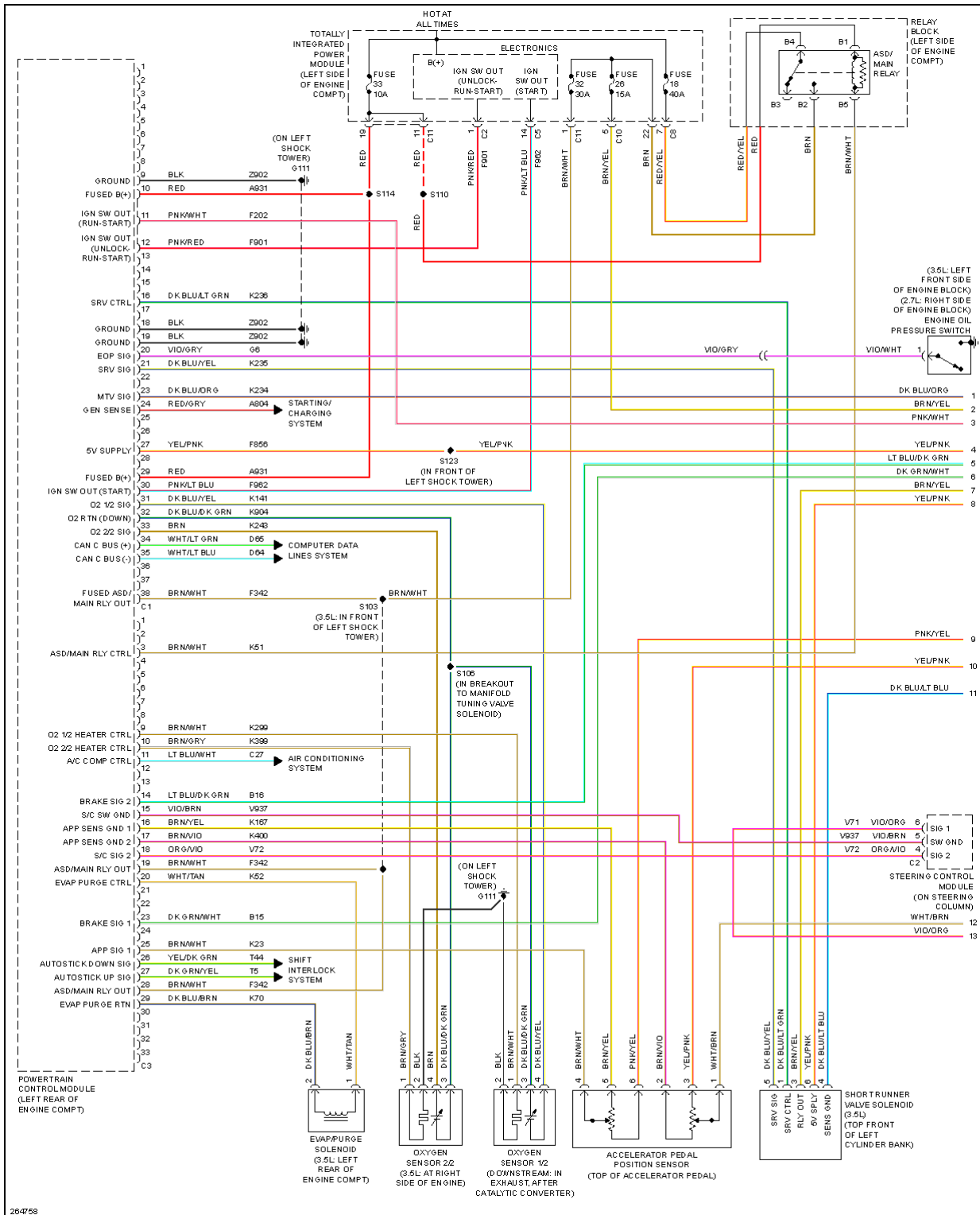


**Fig. 19: 2.4L, Engine Performance Circuit (4 of 4)**

**2.7L FLEX FUEL**

# 2007 Chrysler Sebring Limited

## 2007 SYSTEM WIRING DIAGRAMS Chrysler - Sebring 4D Sedan

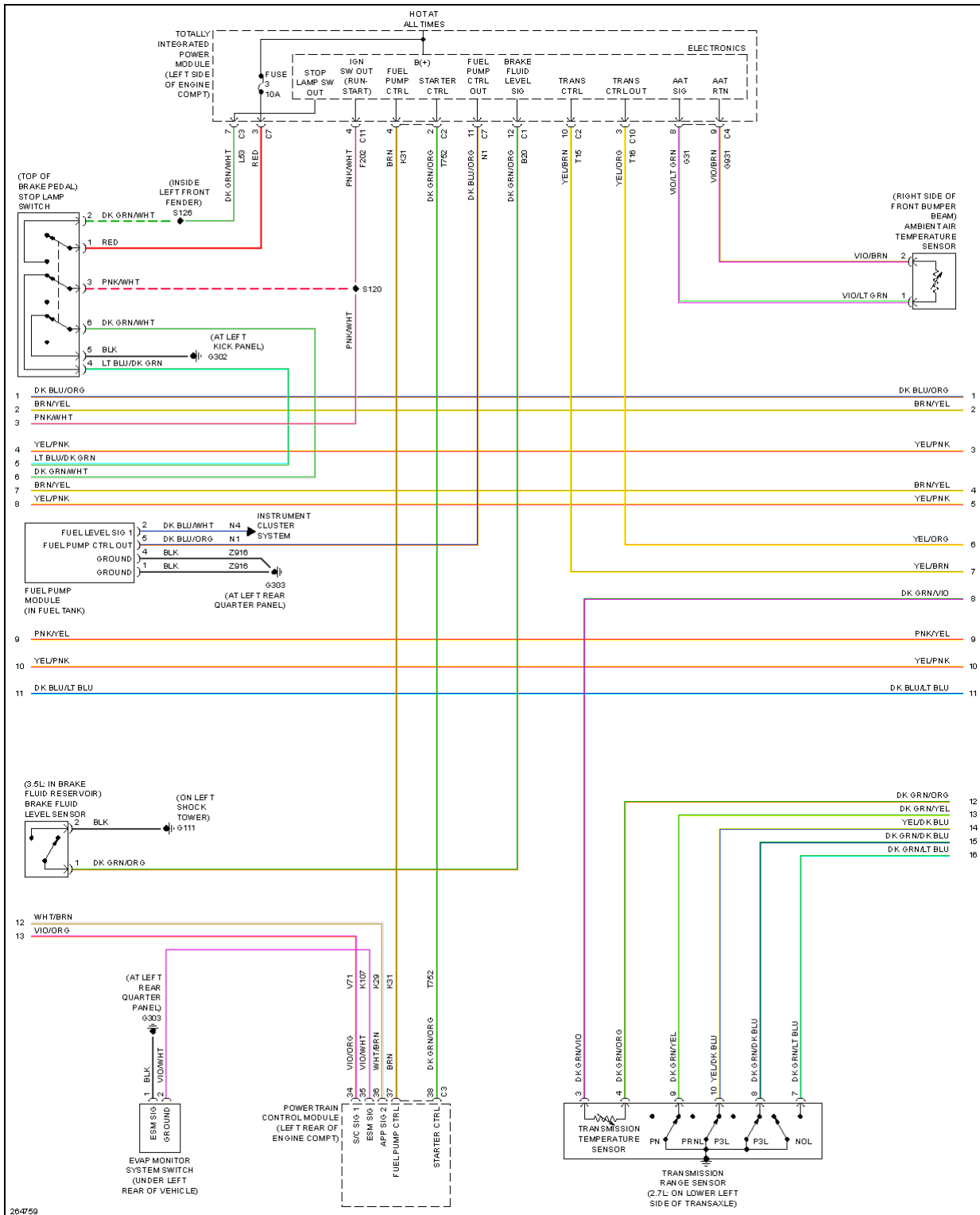




**Fig. 20: 2.7L Flex Fuel, Engine Performance Circuit, 40/41TE (1 of 5)**

# 2007 Chrysler Sebring Limited

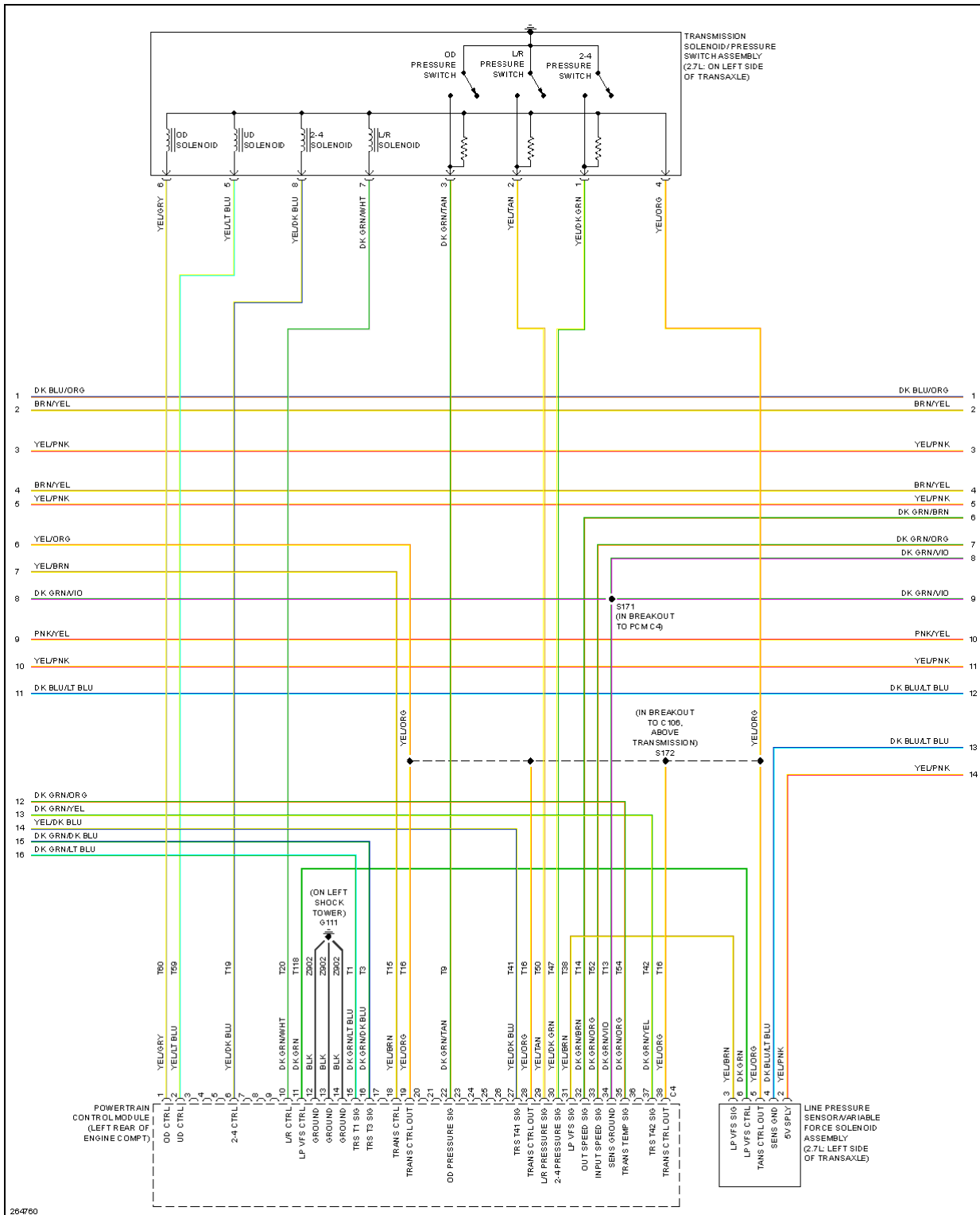
## 2007 SYSTEM WIRING DIAGRAMS Chrysler - Sebring 4D Sedan



**Fig. 21: 2.7L Flex Fuel, Engine Performance Circuit, 40/41TE (2 of 5)**

# 2007 Chrysler Sebring Limited

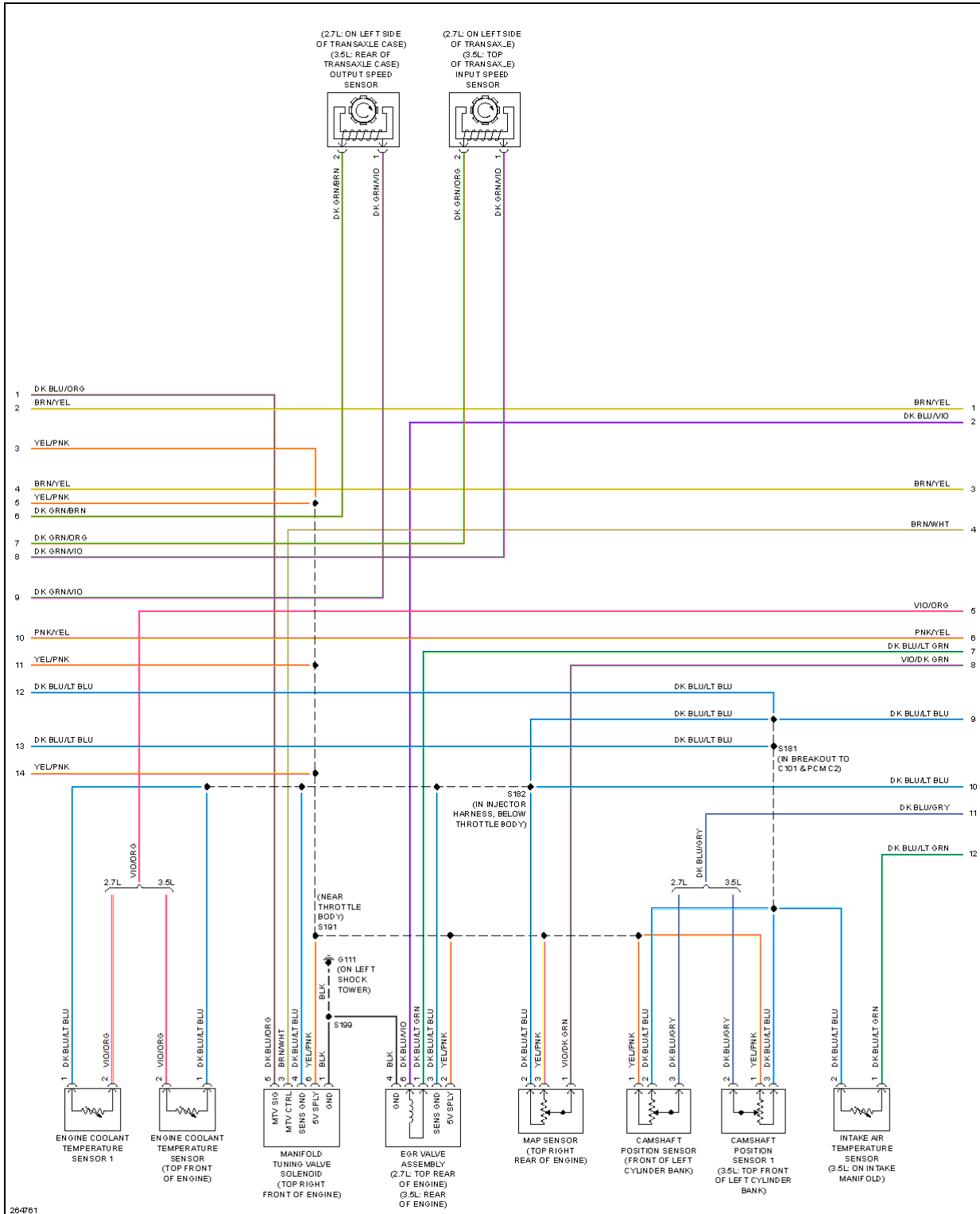
## 2007 SYSTEM WIRING DIAGRAMS Chrysler - Sebring 4D Sedan



**Fig. 22: 2.7L Flex Fuel, Engine Performance Circuit, 40/41TE (3 of 5)**

# 2007 Chrysler Sebring Limited

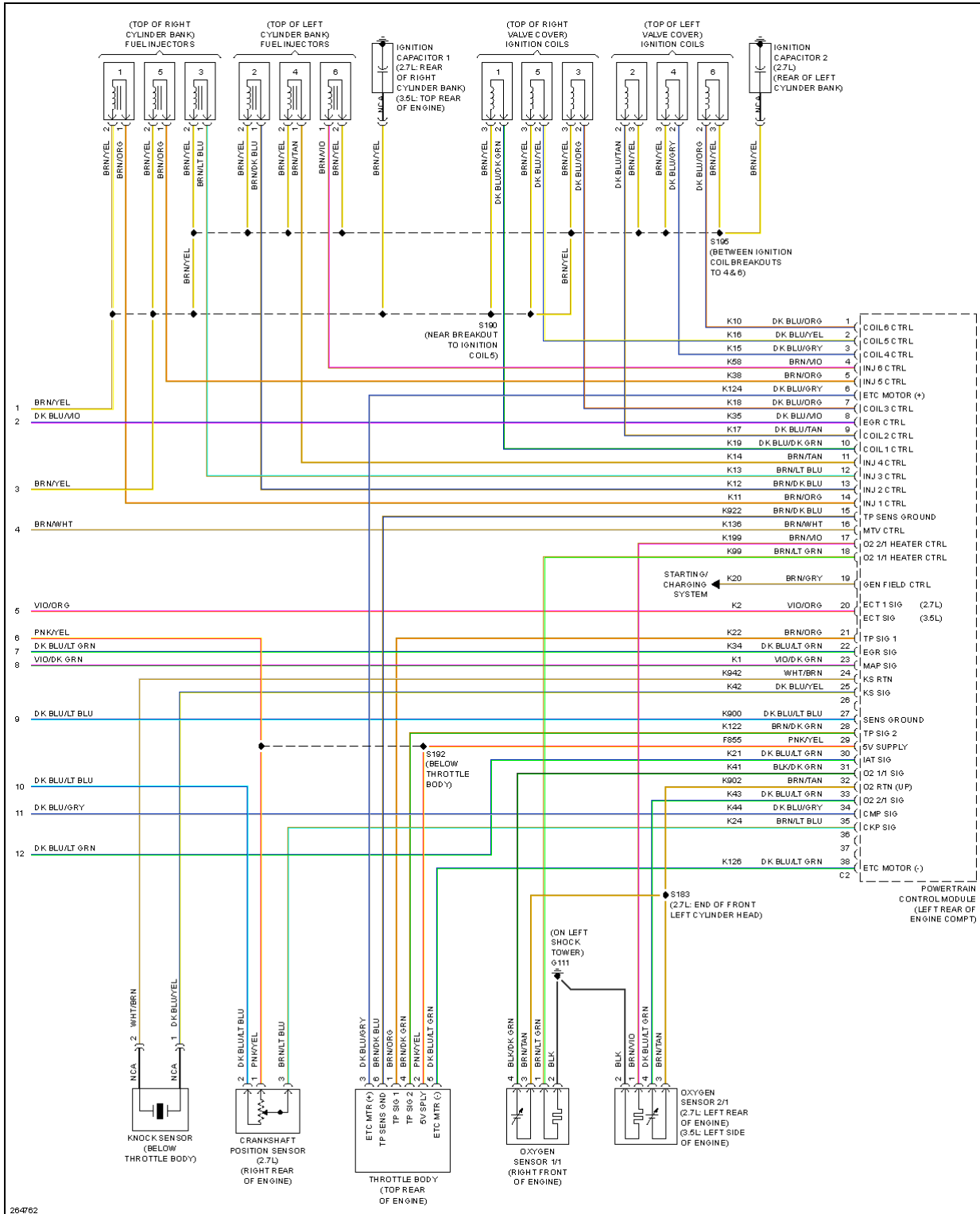
## 2007 SYSTEM WIRING DIAGRAMS Chrysler - Sebring 4D Sedan



**Fig. 23: 2.7L Flex Fuel, Engine Performance Circuit, 40/41TE (4 of 5)**

# 2007 Chrysler Sebring Limited

## 2007 SYSTEM WIRING DIAGRAMS Chrysler - Sebring 4D Sedan

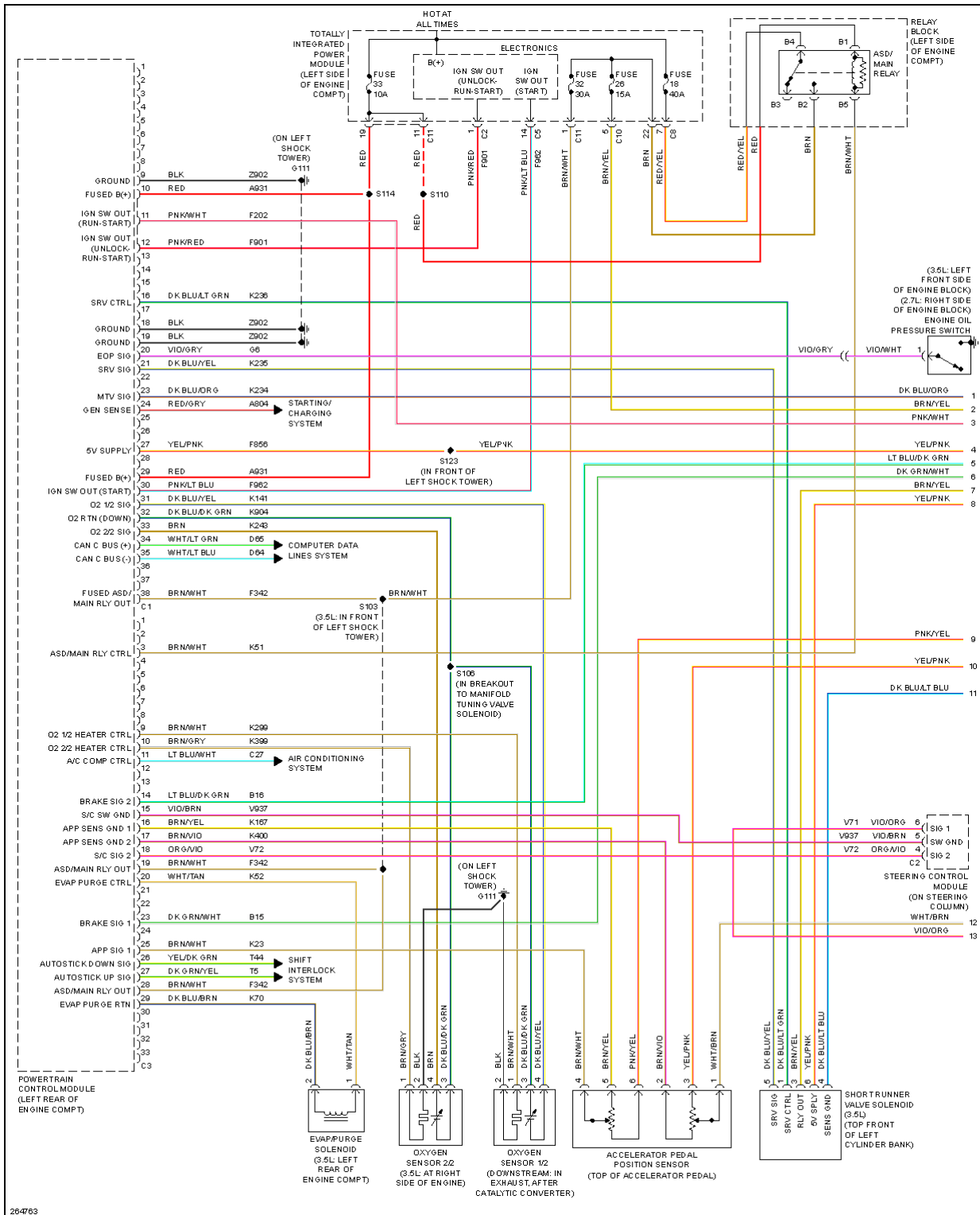




**Fig. 24: 2.7L Flex Fuel, Engine Performance Circuit, 40/41TE (5 of 5)**

# 2007 Chrysler Sebring Limited

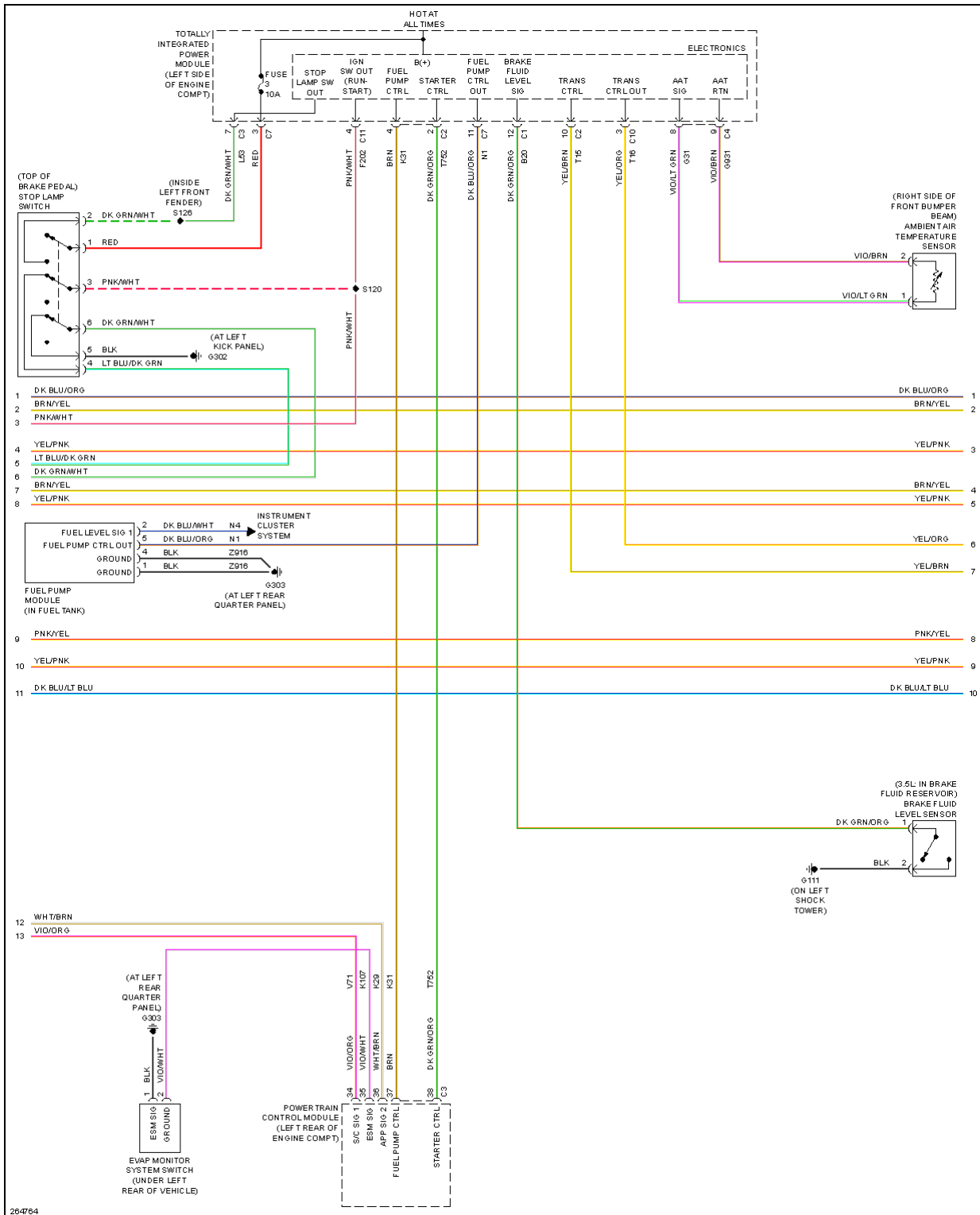
## 2007 SYSTEM WIRING DIAGRAMS Chrysler - Sebring 4D Sedan



**Fig. 25: 2.7L Flex Fuel, Engine Performance Circuit, 62TE (1 of 5)**

# 2007 Chrysler Sebring Limited

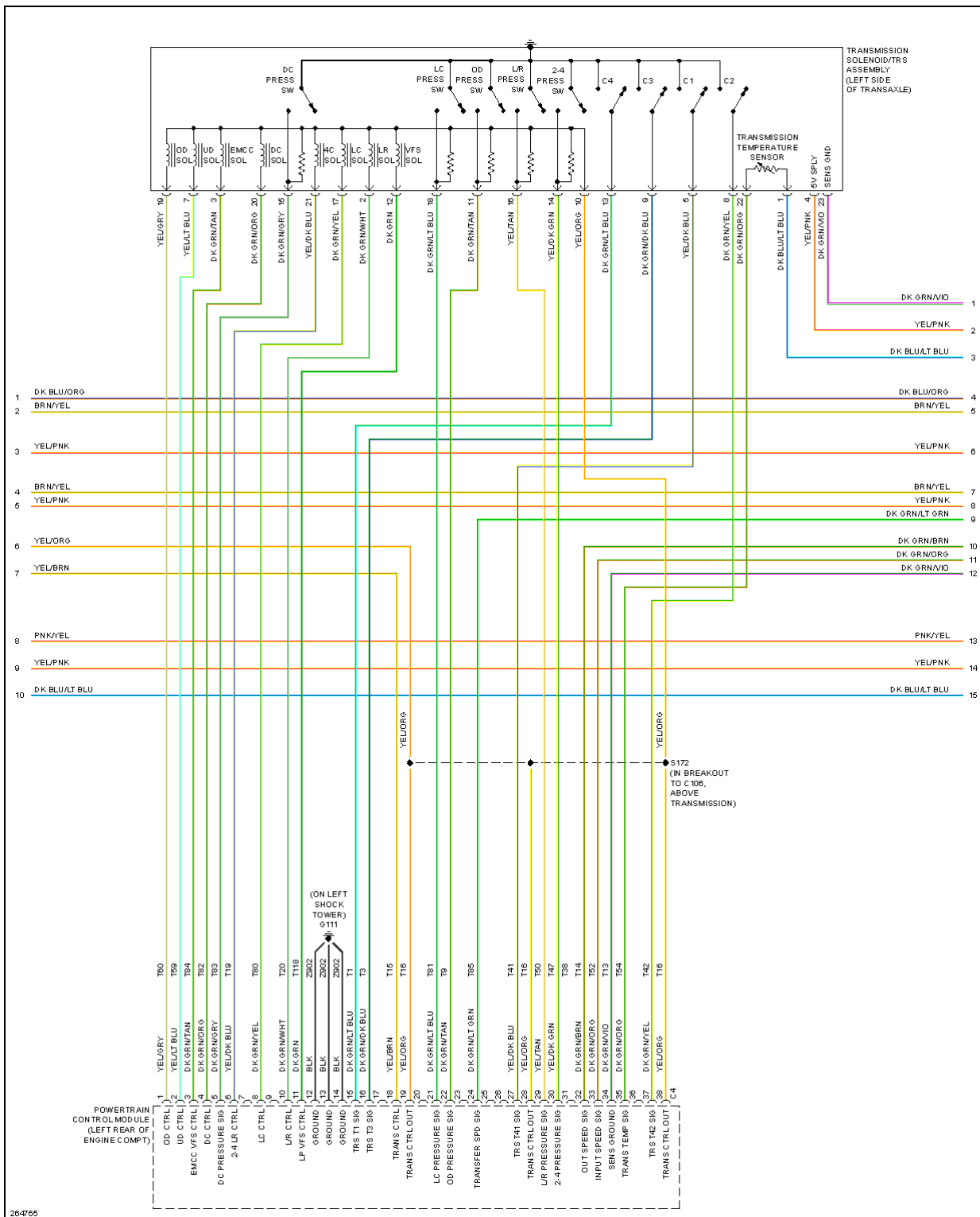
## 2007 SYSTEM WIRING DIAGRAMS Chrysler - Sebring 4D Sedan



**Fig. 26: 2.7L Flex Fuel, Engine Performance Circuit, 62TE (2 of 5)**

# 2007 Chrysler Sebring Limited

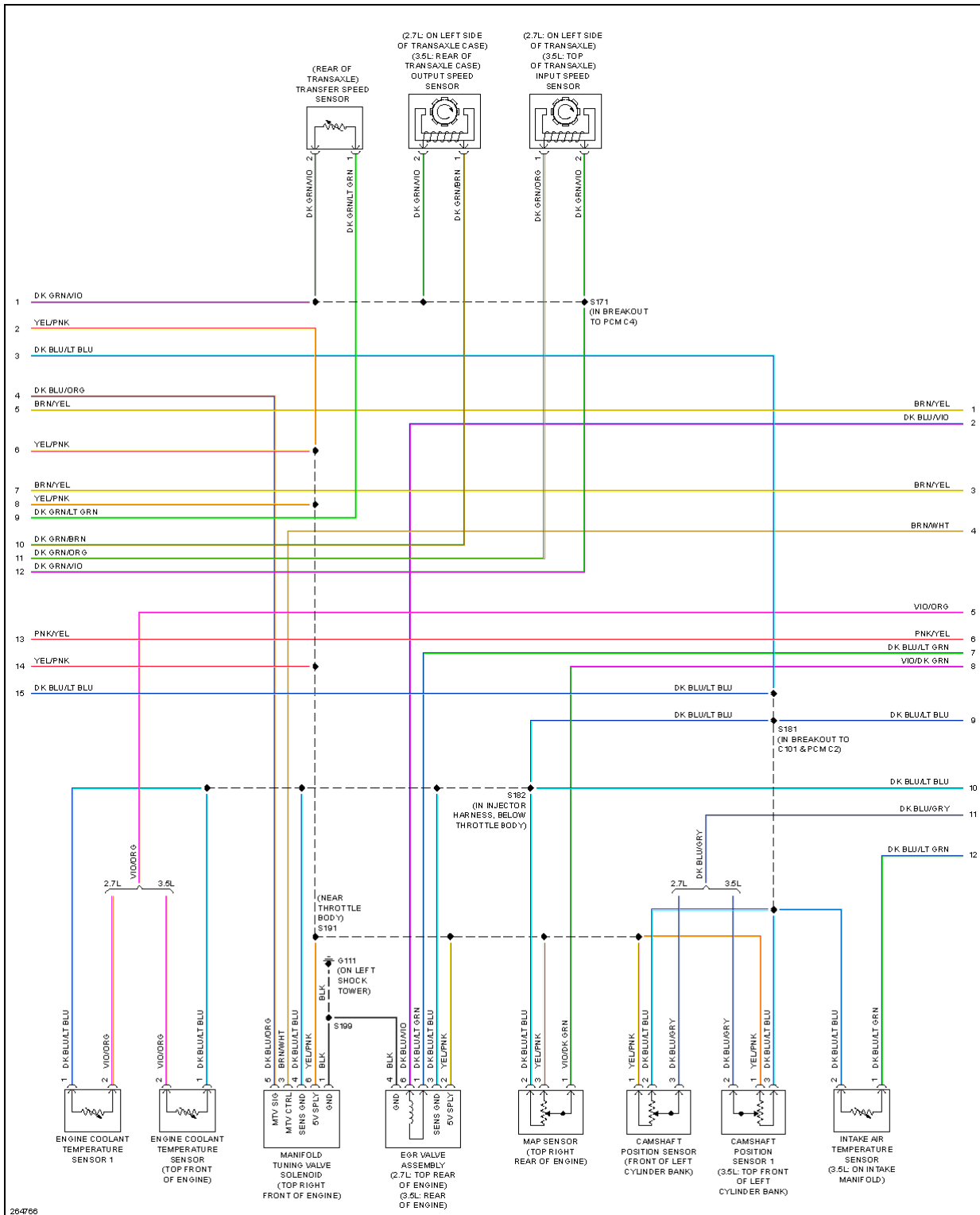
## 2007 SYSTEM WIRING DIAGRAMS Chrysler - Sebring 4D Sedan



**Fig. 27: 2.7L Flex Fuel, Engine Performance Circuit, 62TE (3 of 5)**

# 2007 Chrysler Sebring Limited

## 2007 SYSTEM WIRING DIAGRAMS Chrysler - Sebring 4D Sedan





**Fig. 28: 2.7L Flex Fuel, Engine Performance Circuit, 62TE (4 of 5)**

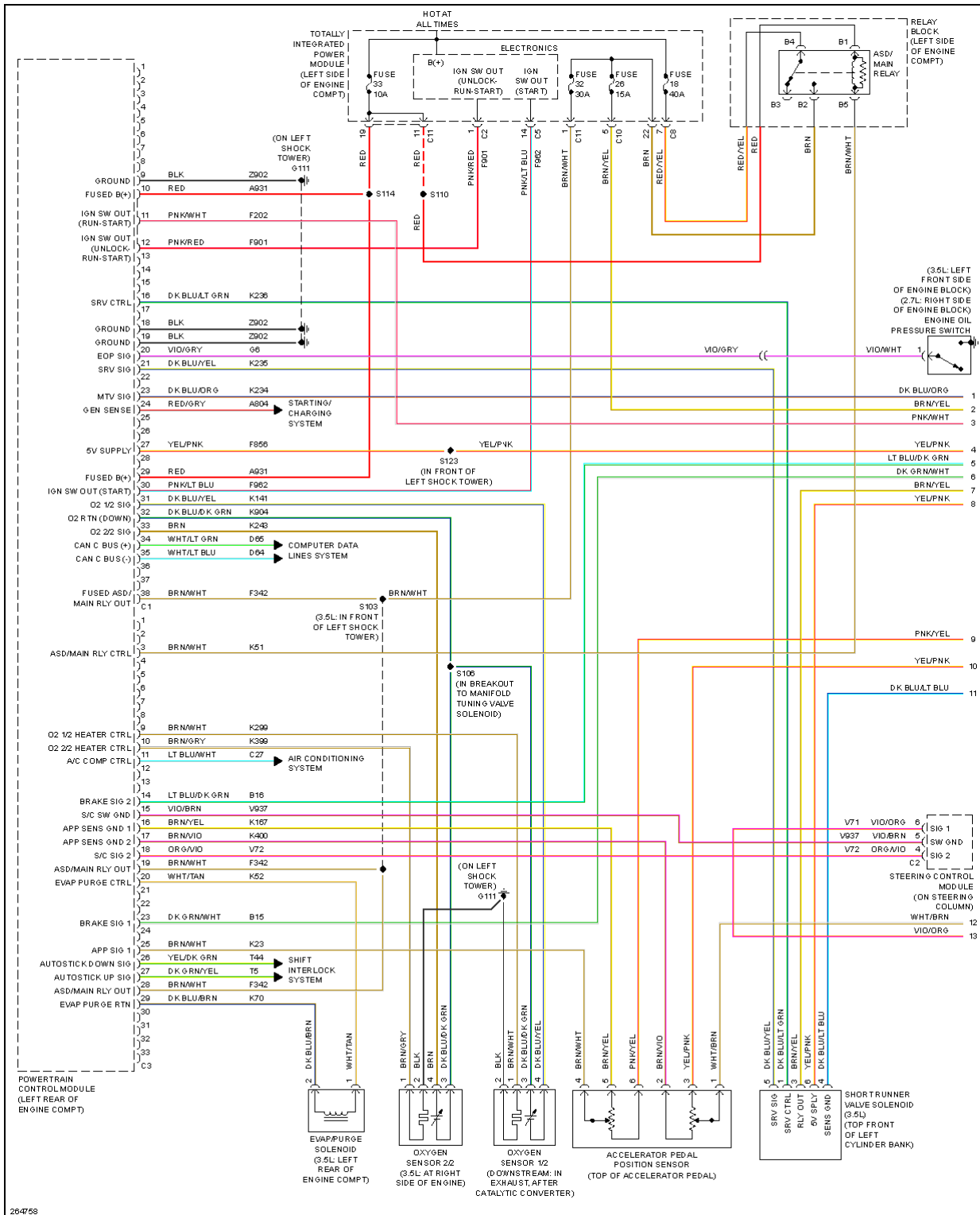


**Fig. 29: 2.7L Flex Fuel, Engine Performance Circuit, 62TE (5 of 5)**

**3.5L**

# 2007 Chrysler Sebring Limited

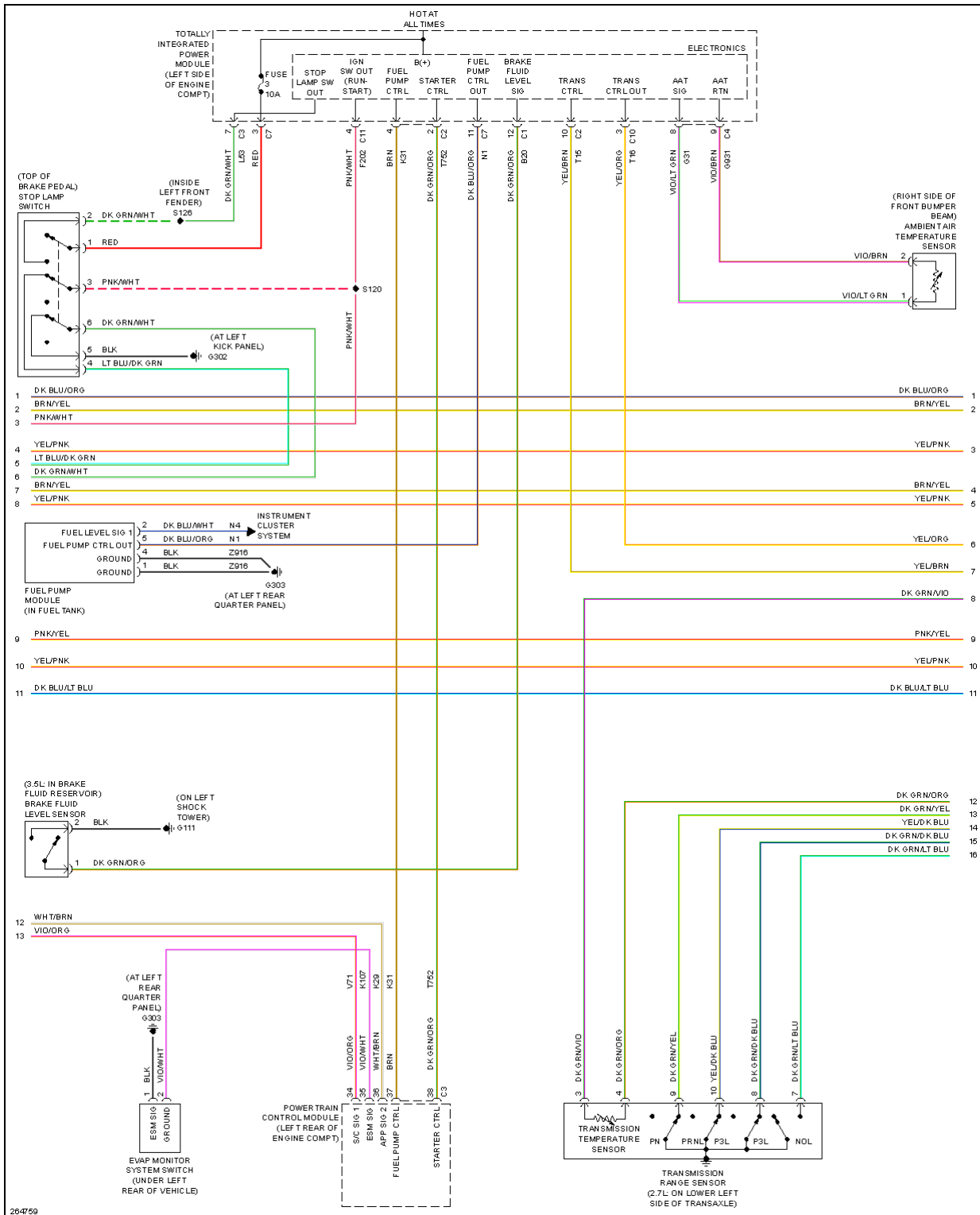
## 2007 SYSTEM WIRING DIAGRAMS Chrysler - Sebring 4D Sedan



**Fig. 30: 3.5L, Engine Performance Circuit, 40/41TE (1 of 5)**

# 2007 Chrysler Sebring Limited

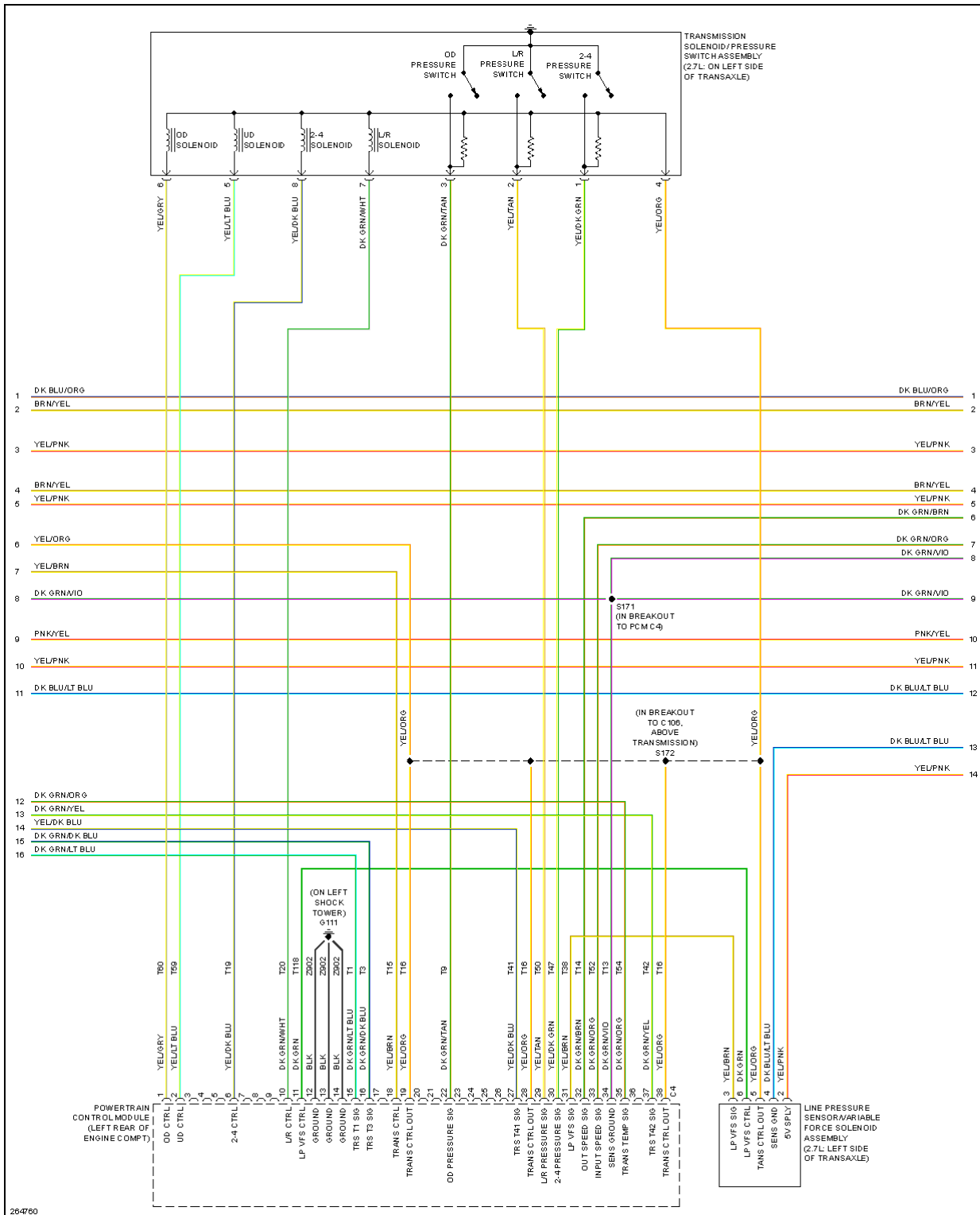
## 2007 SYSTEM WIRING DIAGRAMS Chrysler - Sebring 4D Sedan



**Fig. 31: 3.5L, Engine Performance Circuit, 40/41TE (2 of 5)**

# 2007 Chrysler Sebring Limited

## 2007 SYSTEM WIRING DIAGRAMS Chrysler - Sebring 4D Sedan

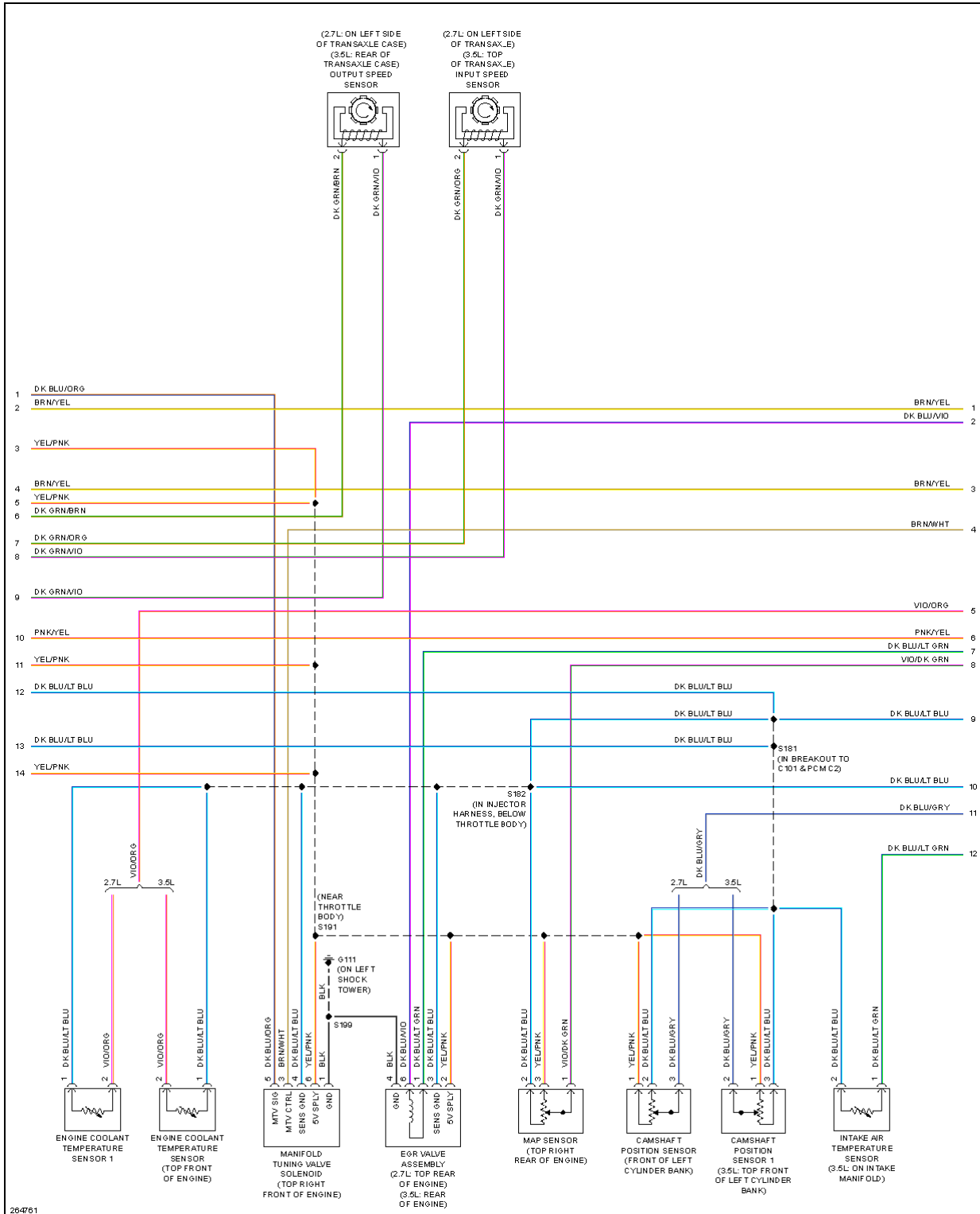




**Fig. 32: 3.5L, Engine Performance Circuit, 40/41TE (3 of 5)**

# 2007 Chrysler Sebring Limited

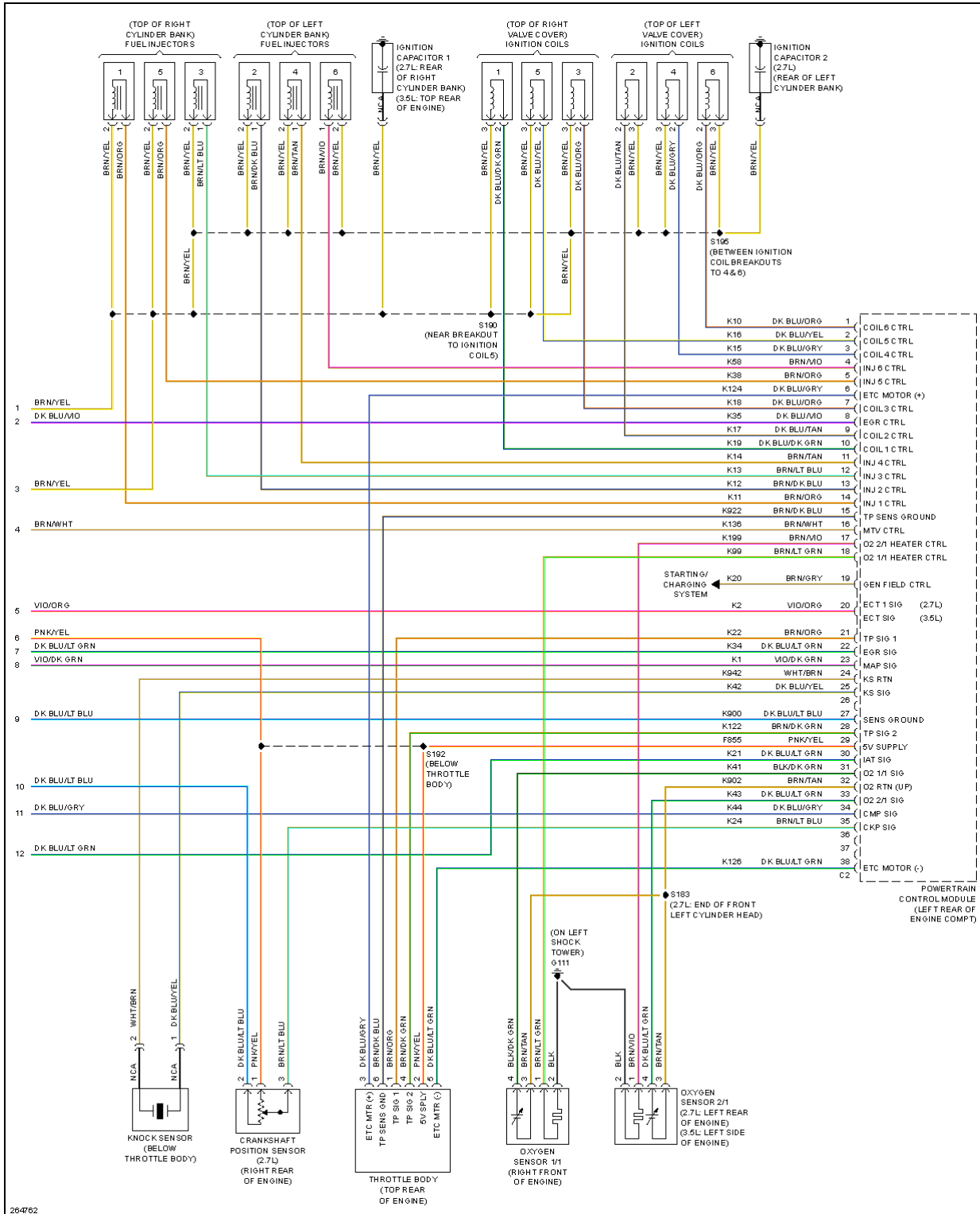
## 2007 SYSTEM WIRING DIAGRAMS Chrysler - Sebring 4D Sedan



**Fig. 33: 3.5L, Engine Performance Circuit, 40/41TE (4 of 5)**

# 2007 Chrysler Sebring Limited

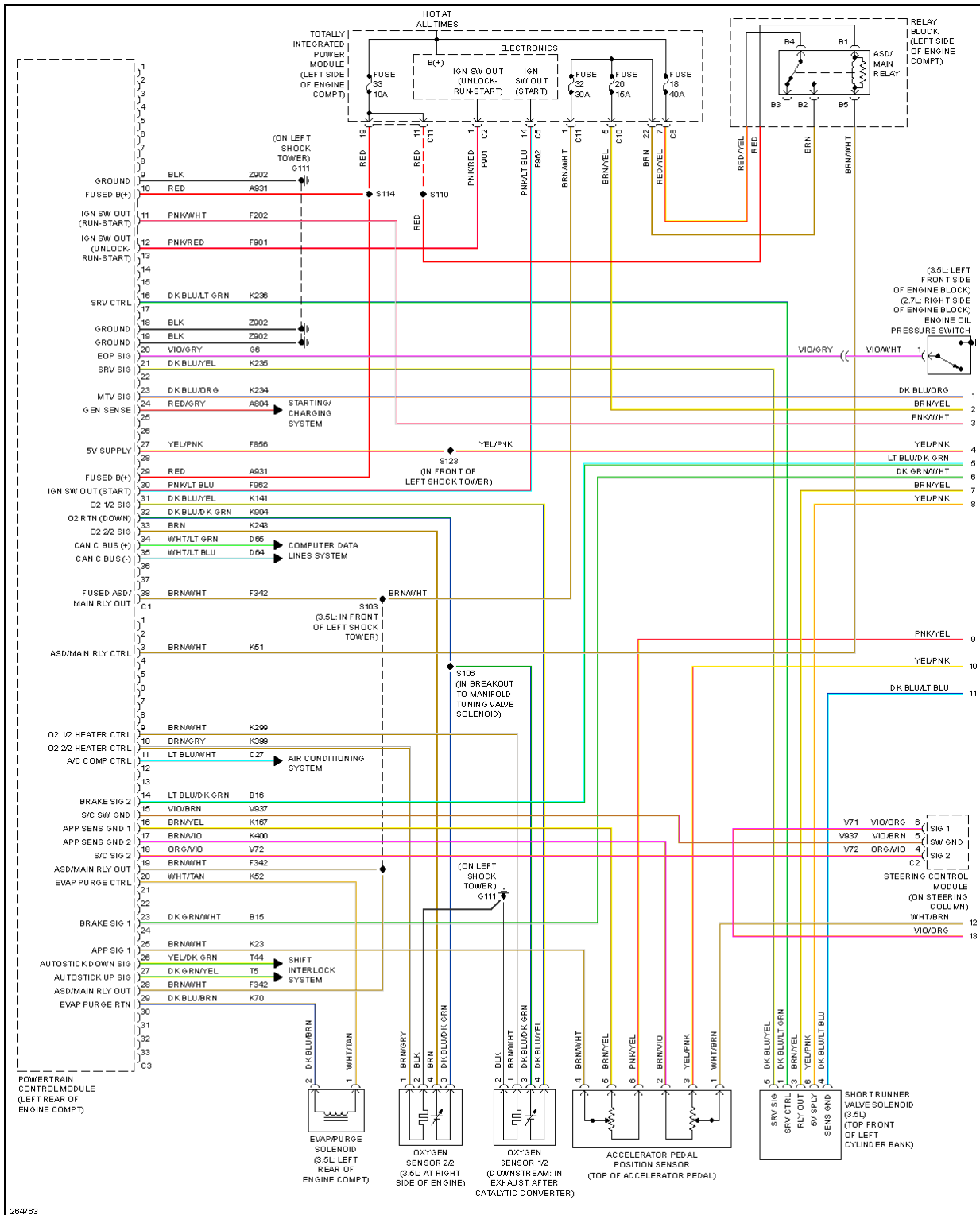
## 2007 SYSTEM WIRING DIAGRAMS Chrysler - Sebring 4D Sedan



**Fig. 34: 3.5L, Engine Performance Circuit, 40/41TE (5 of 5)**

# 2007 Chrysler Sebring Limited

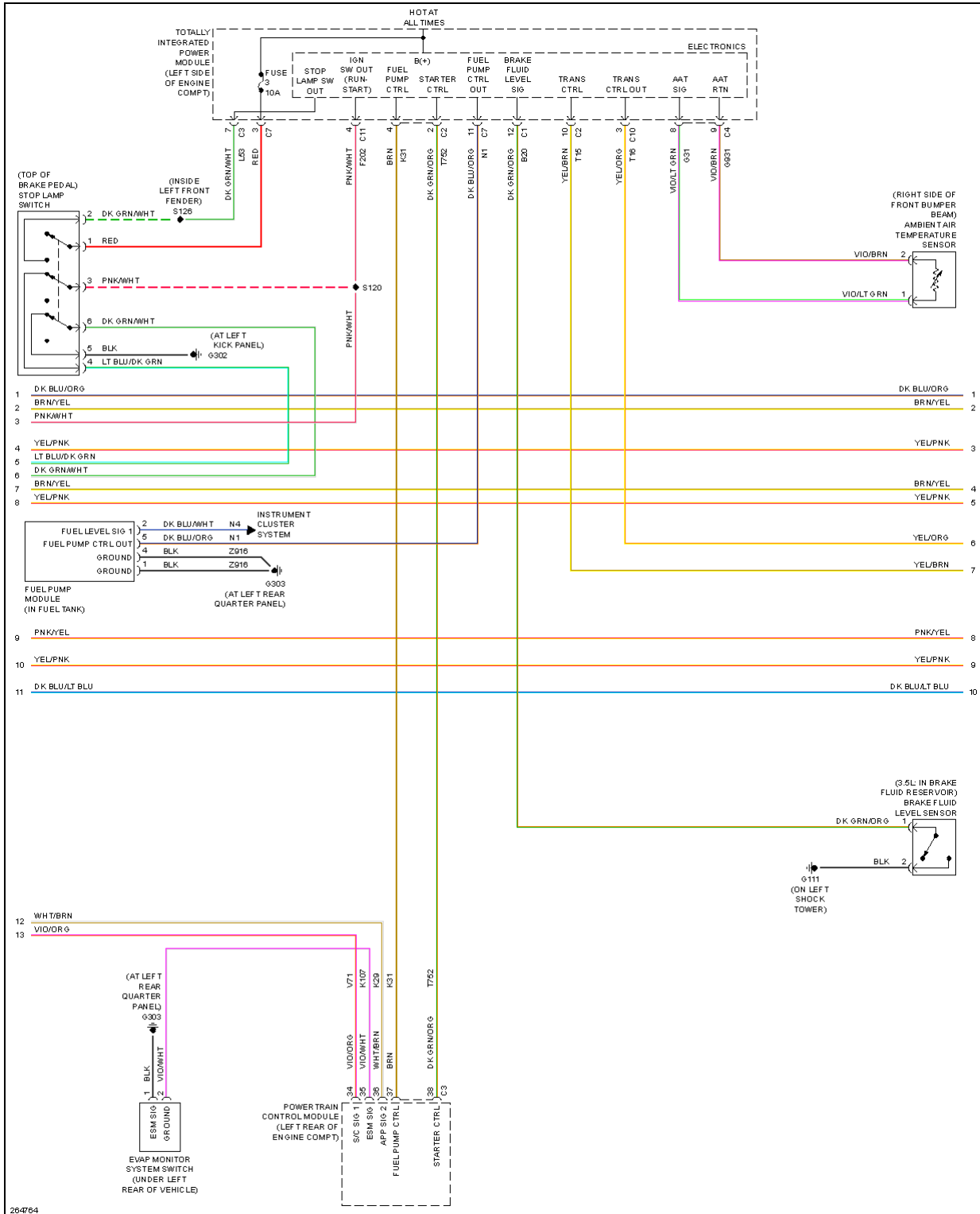
## 2007 SYSTEM WIRING DIAGRAMS Chrysler - Sebring 4D Sedan



**Fig. 35: 3.5L, Engine Performance Circuit, 62TE (1 of 5)**

# 2007 Chrysler Sebring Limited

## 2007 SYSTEM WIRING DIAGRAMS Chrysler - Sebring 4D Sedan

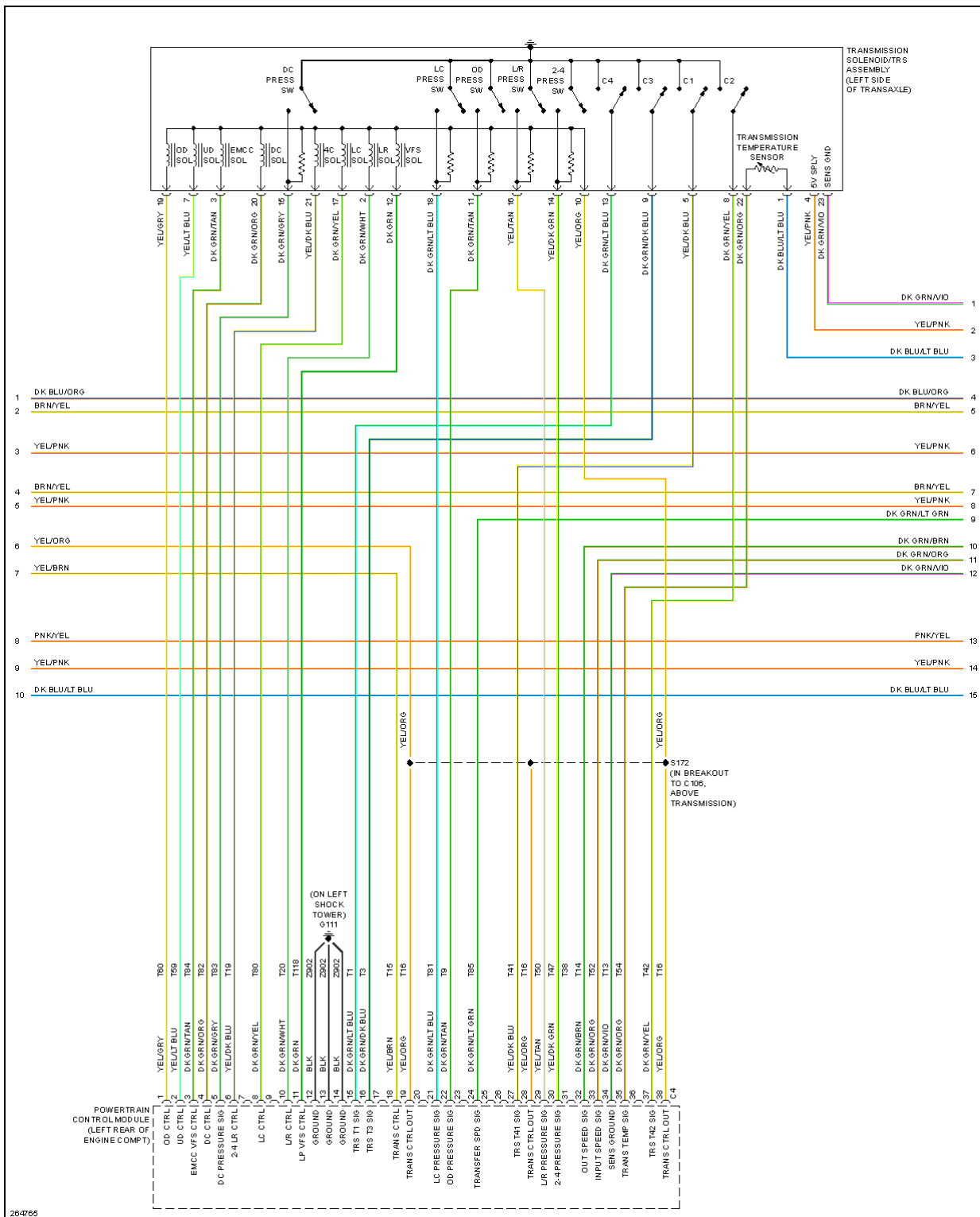




**Fig. 36: 3.5L, Engine Performance Circuit, 62TE (2 of 5)**

# 2007 Chrysler Sebring Limited

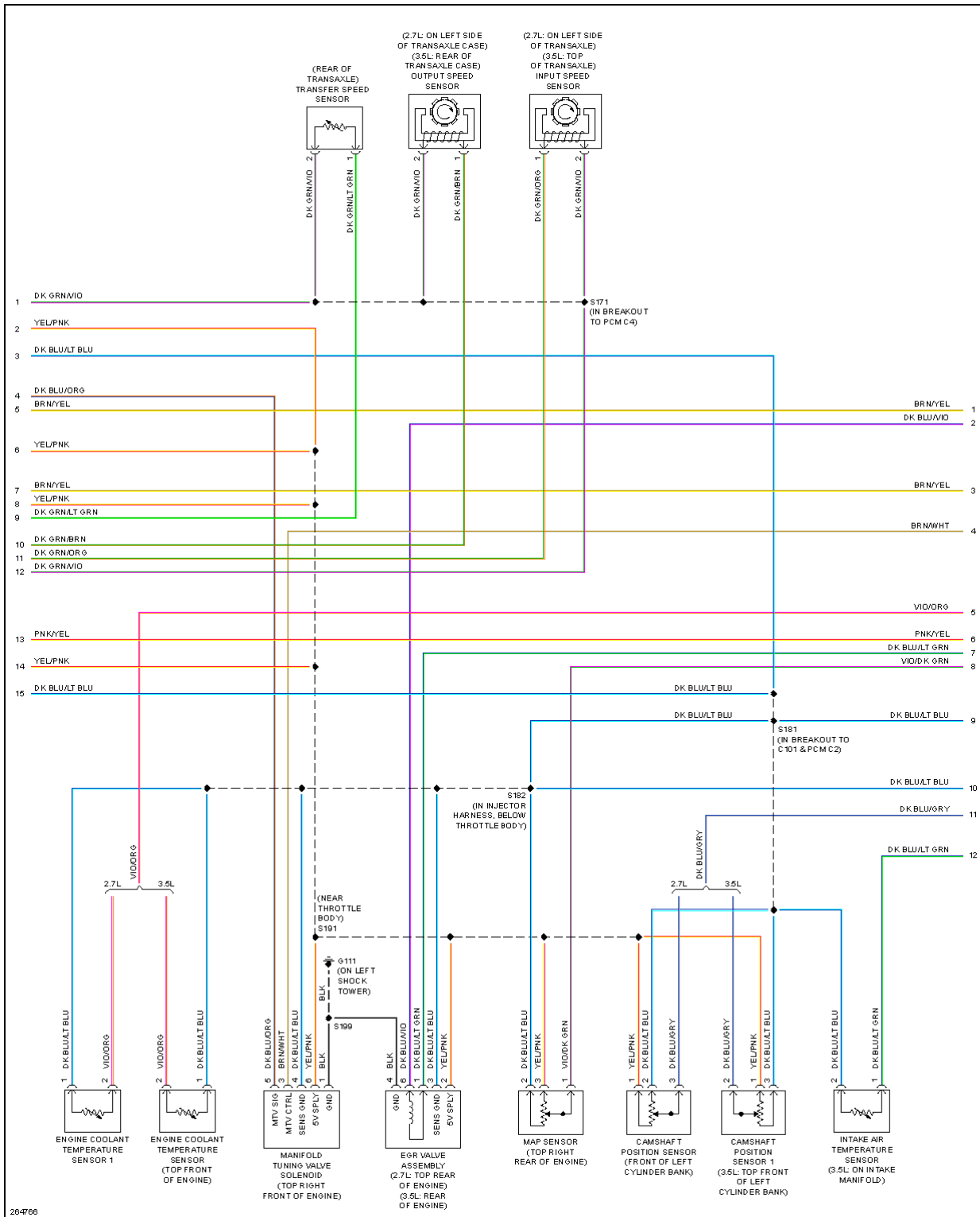
## 2007 SYSTEM WIRING DIAGRAMS Chrysler - Sebring 4D Sedan



**Fig. 37: 3.5L, Engine Performance Circuit, 62TE (3 of 5)**

# 2007 Chrysler Sebring Limited

## 2007 SYSTEM WIRING DIAGRAMS Chrysler - Sebring 4D Sedan



**Fig. 38: 3.5L, Engine Performance Circuit, 62TE (4 of 5)**

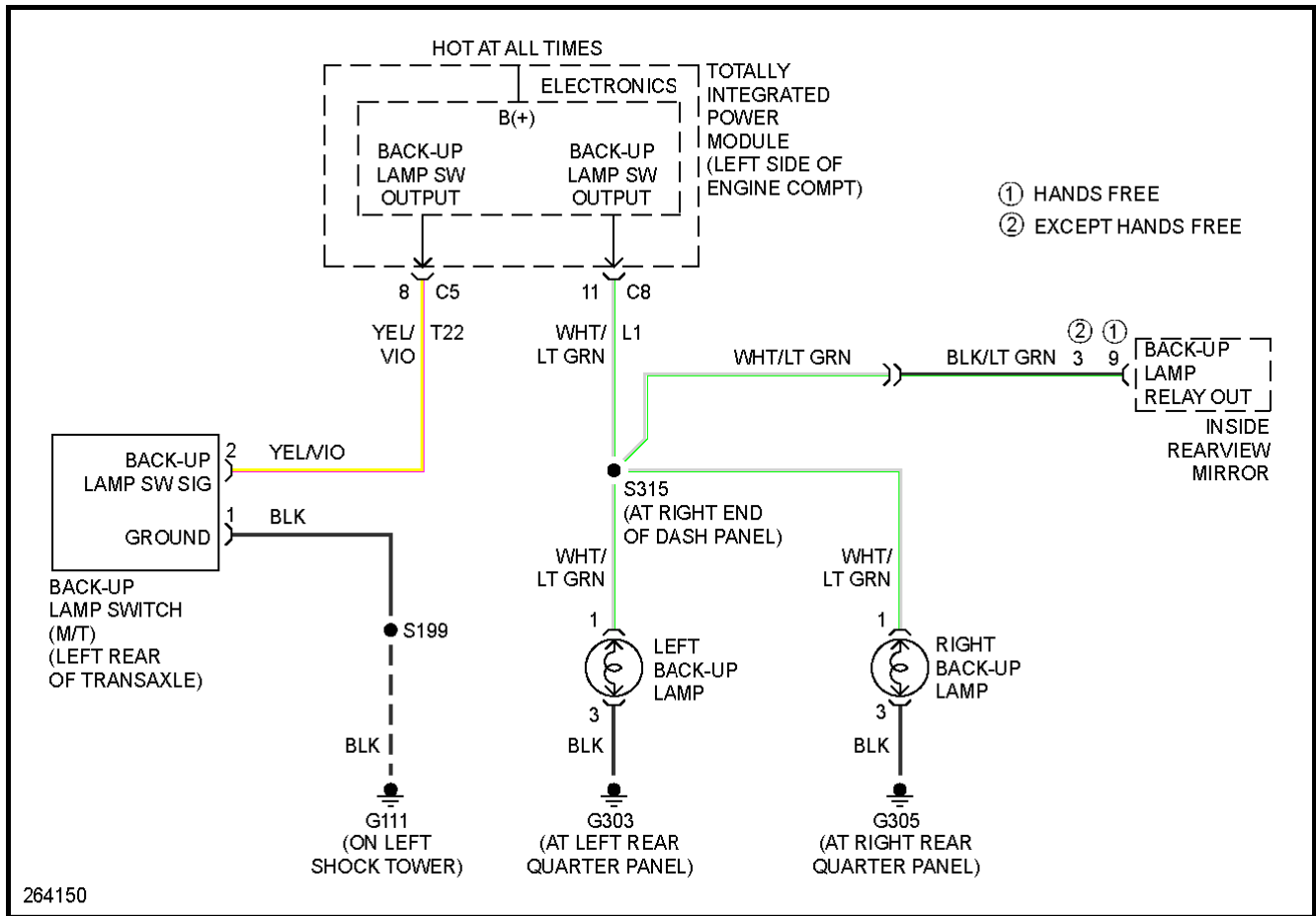


**Fig. 39: 3.5L, Engine Performance Circuit, 62TE (5 of 5)**

**EXTERIOR LIGHTS**

# 2007 Chrysler Sebring Limited

## 2007 SYSTEM WIRING DIAGRAMS Chrysler - Sebring 4D Sedan

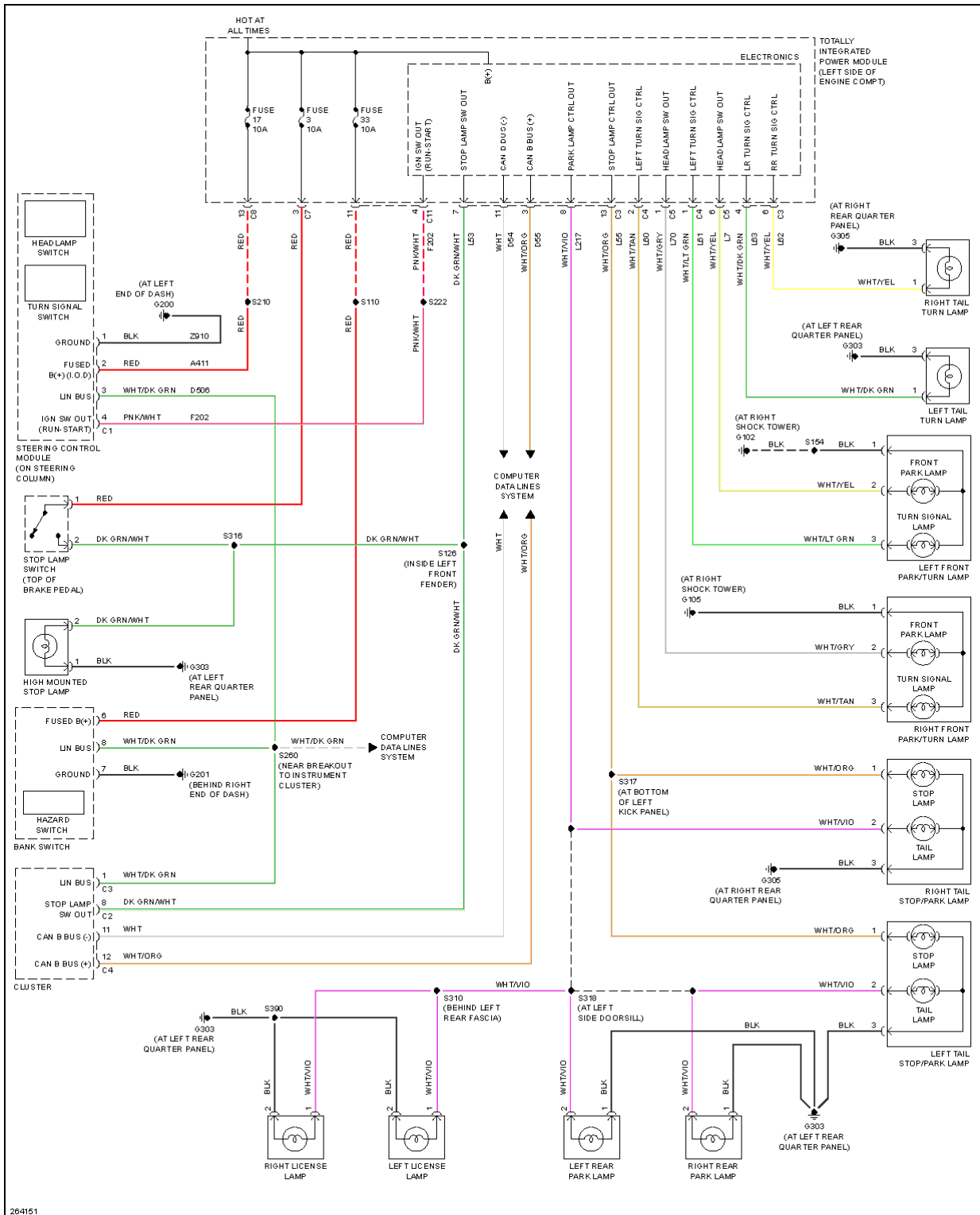




**Fig. 40: Back-up Lamps Circuit**

# 2007 Chrysler Sebring Limited

## 2007 SYSTEM WIRING DIAGRAMS Chrysler - Sebring 4D Sedan

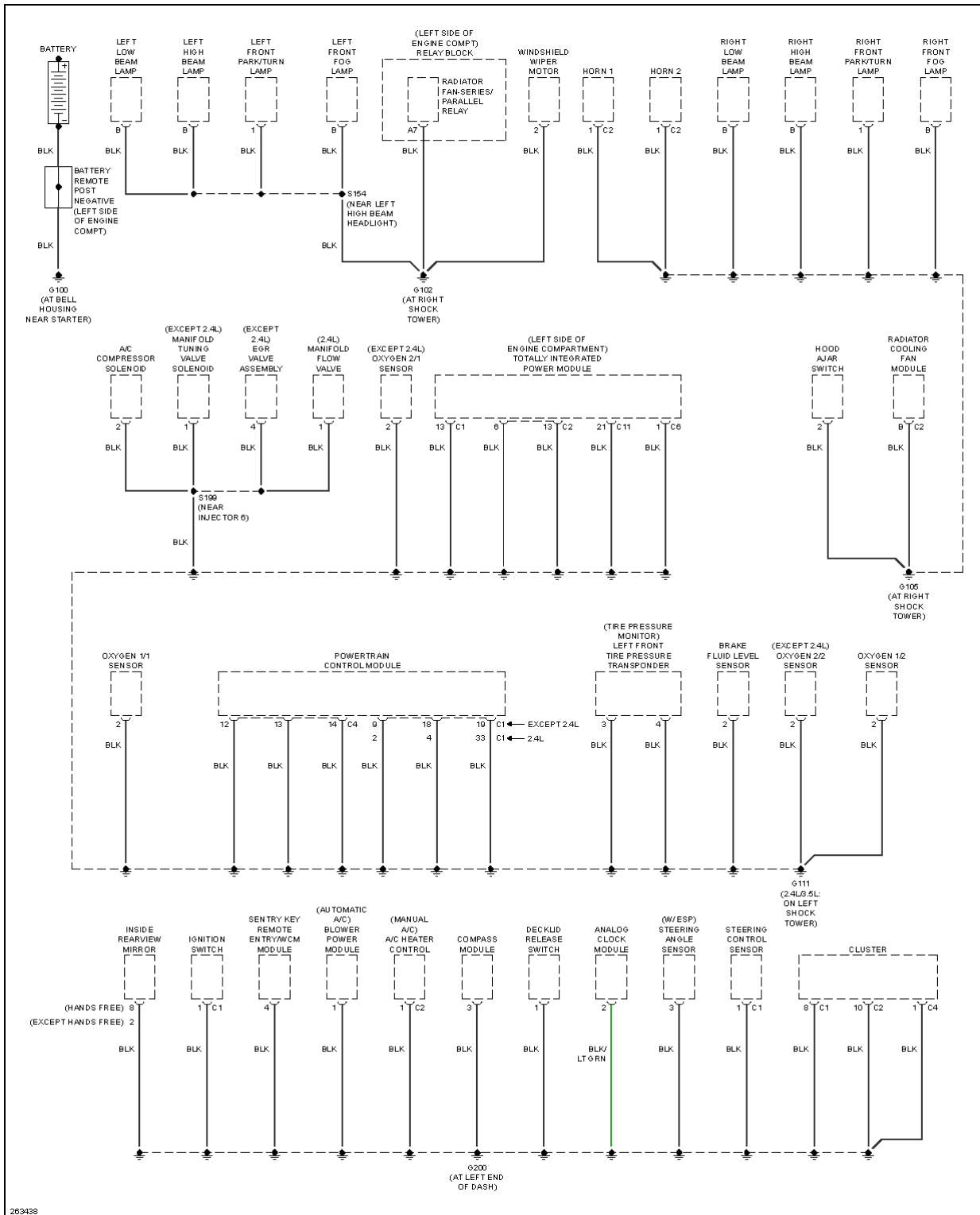


**Fig. 41: Exterior Lamps Circuit**

**GROUND DISTRIBUTION**

# 2007 Chrysler Sebring Limited

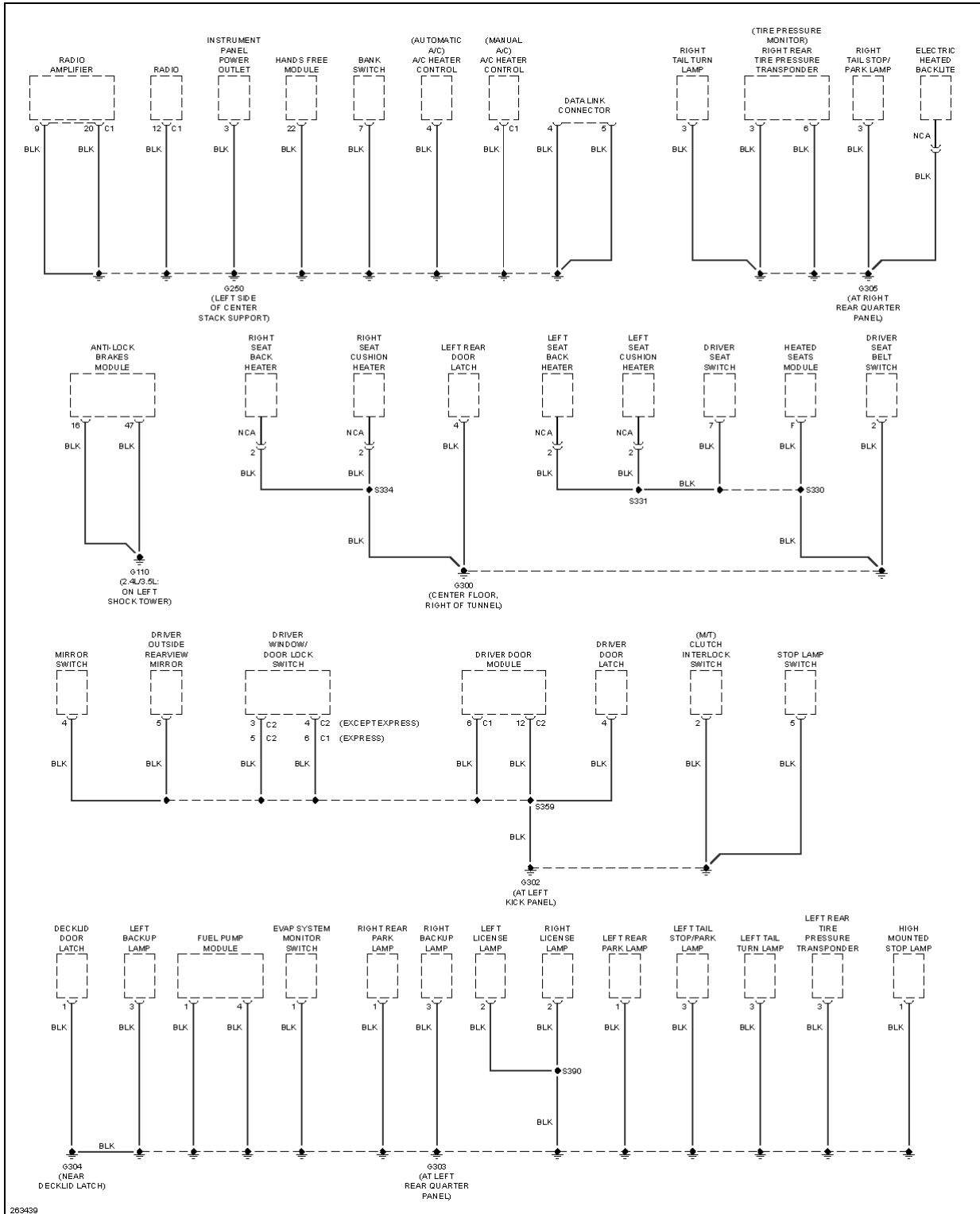
## 2007 SYSTEM WIRING DIAGRAMS Chrysler - Sebring 4D Sedan



**Fig. 42: Ground Distribution Circuit (1 of 3)**

# 2007 Chrysler Sebring Limited

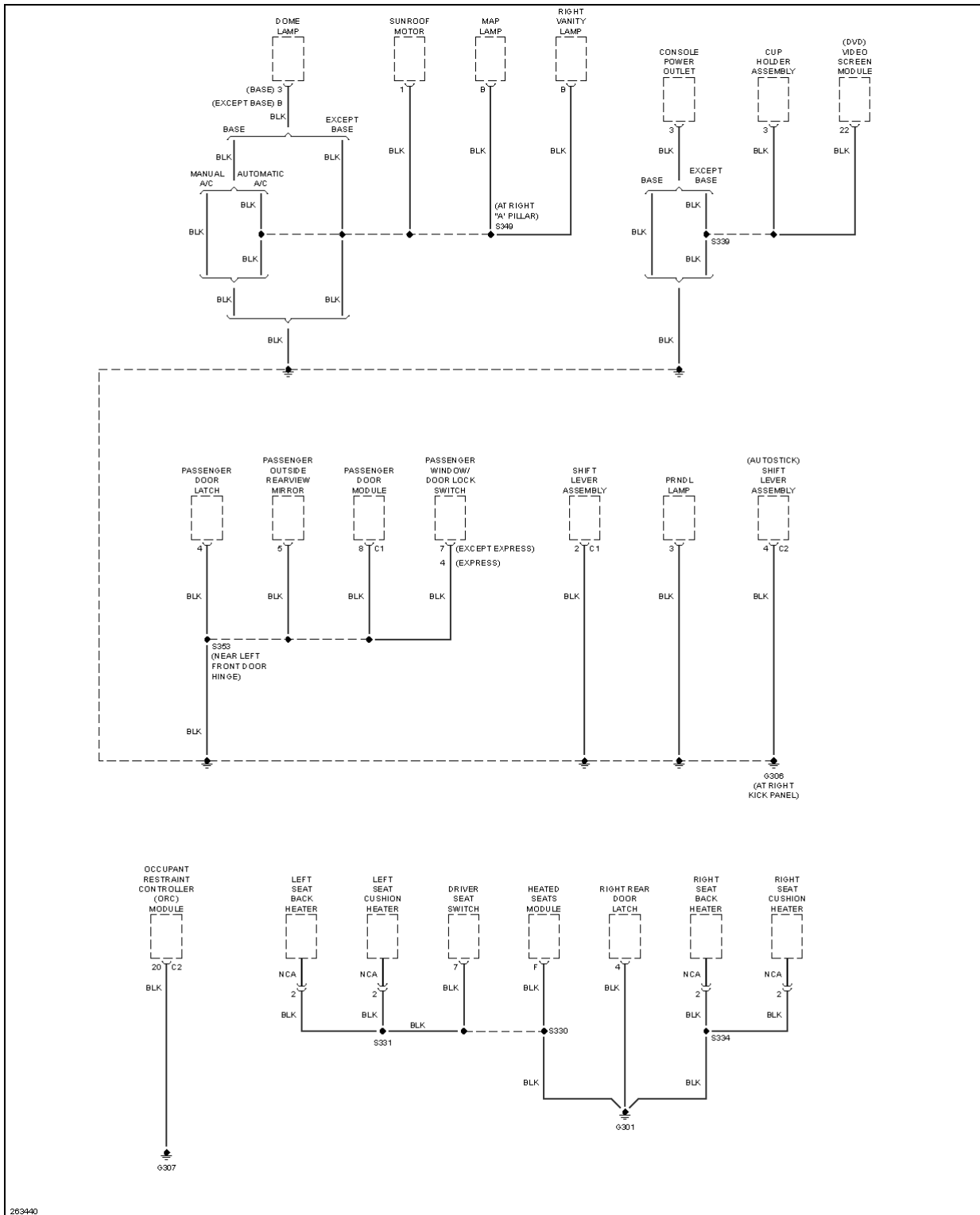
## 2007 SYSTEM WIRING DIAGRAMS Chrysler - Sebring 4D Sedan



**Fig. 43: Ground Distribution Circuit (2 of 3)**

# 2007 Chrysler Sebring Limited

## 2007 SYSTEM WIRING DIAGRAMS Chrysler - Sebring 4D Sedan





**Fig. 44: Ground Distribution Circuit (3 of 3)**

**HEADLIGHTS**

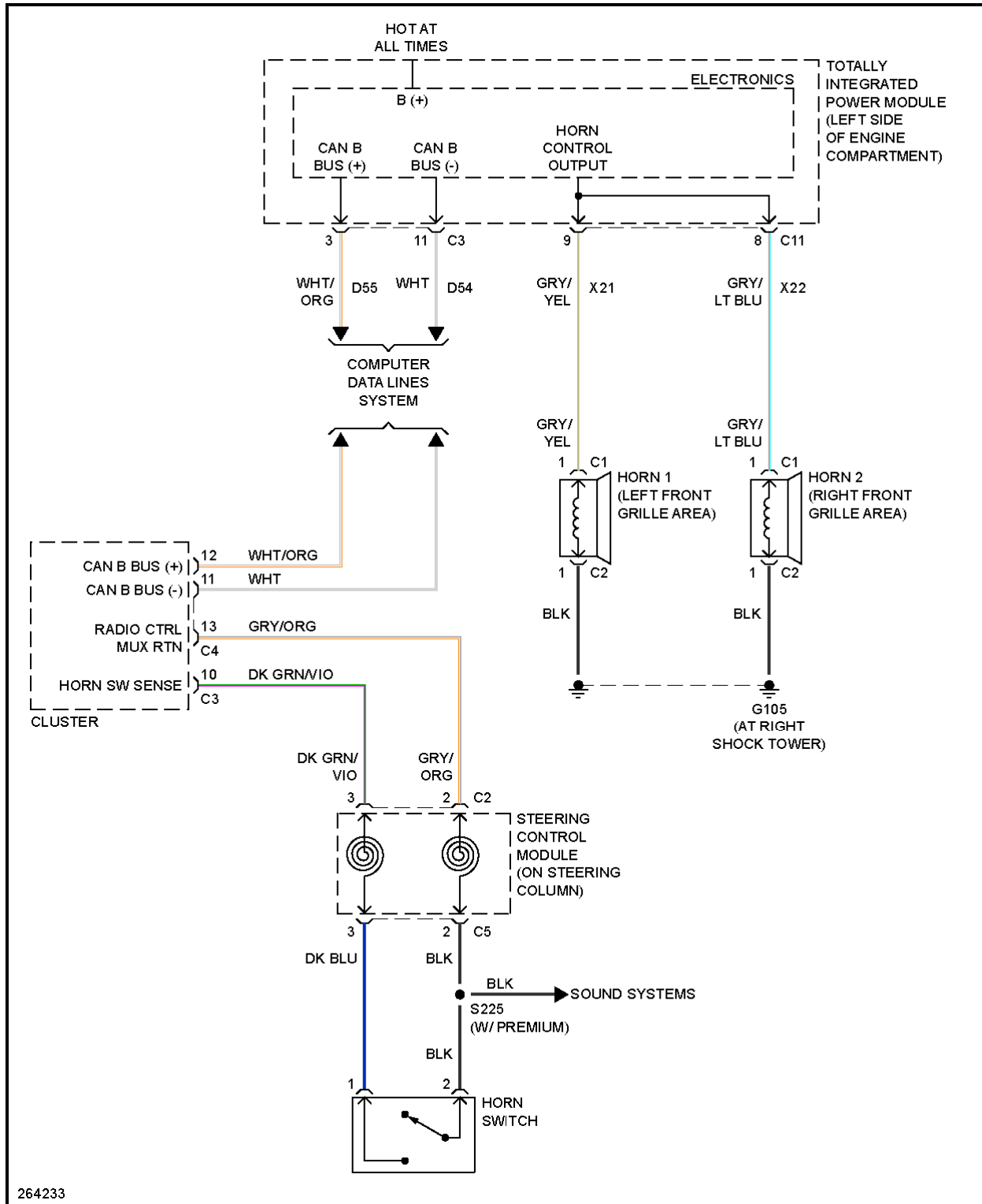


**Fig. 45: Headlights Circuit**

**HORN**

# 2007 Chrysler Sebring Limited

## 2007 SYSTEM WIRING DIAGRAMS Chrysler - Sebring 4D Sedan

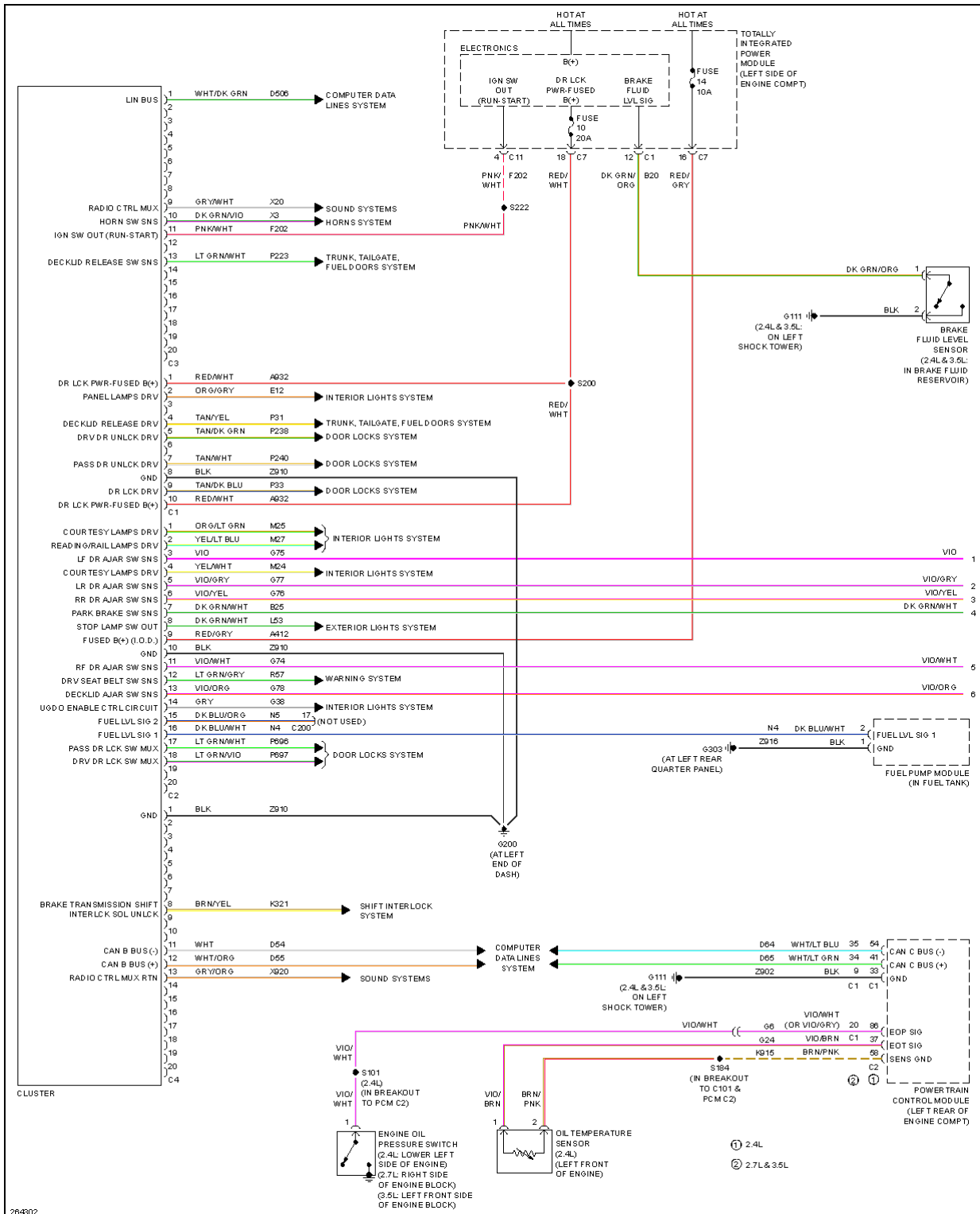


**Fig. 46: Horn Circuit**

**INSTRUMENT CLUSTER**

# 2007 Chrysler Sebring Limited

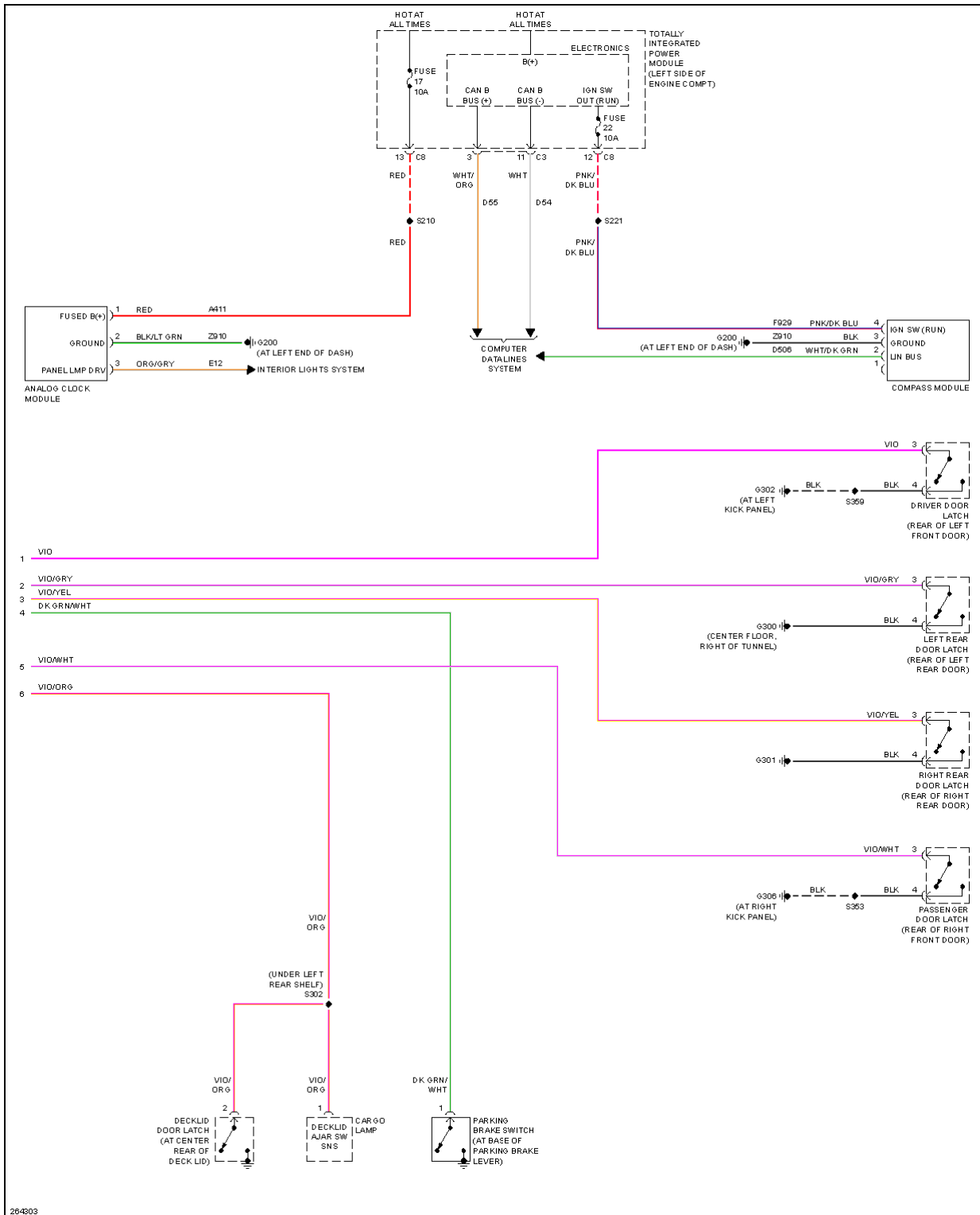
## 2007 SYSTEM WIRING DIAGRAMS Chrysler - Sebring 4D Sedan



**Fig. 47: Instrument Cluster Circuit (1 of 2)**

# 2007 Chrysler Sebring Limited

## 2007 SYSTEM WIRING DIAGRAMS Chrysler - Sebring 4D Sedan



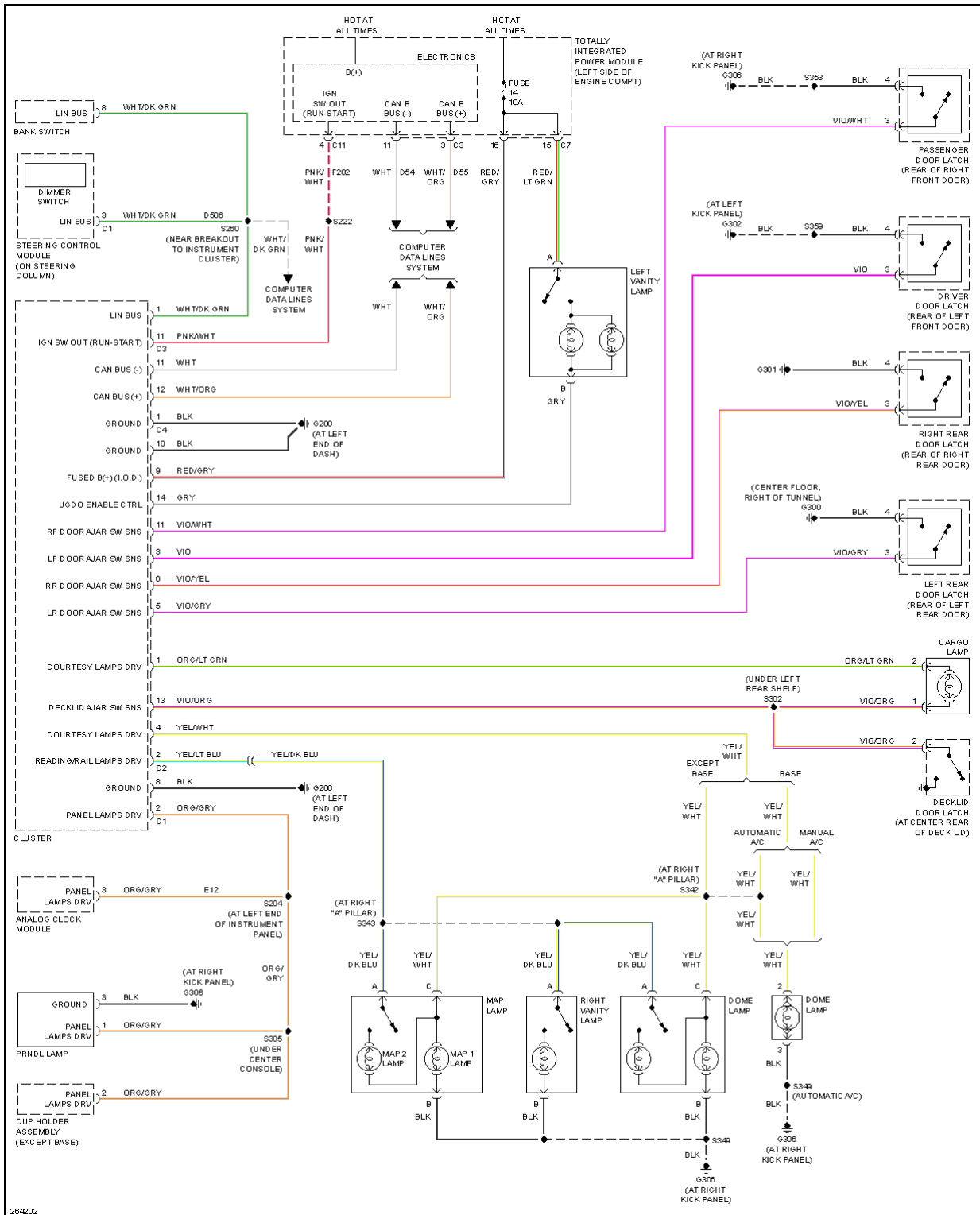


**Fig. 48: Instrument Cluster Circuit (2 of 2)**

**INTERIOR LIGHTS**

# 2007 Chrysler Sebring Limited

## 2007 SYSTEM WIRING DIAGRAMS Chrysler - Sebring 4D Sedan

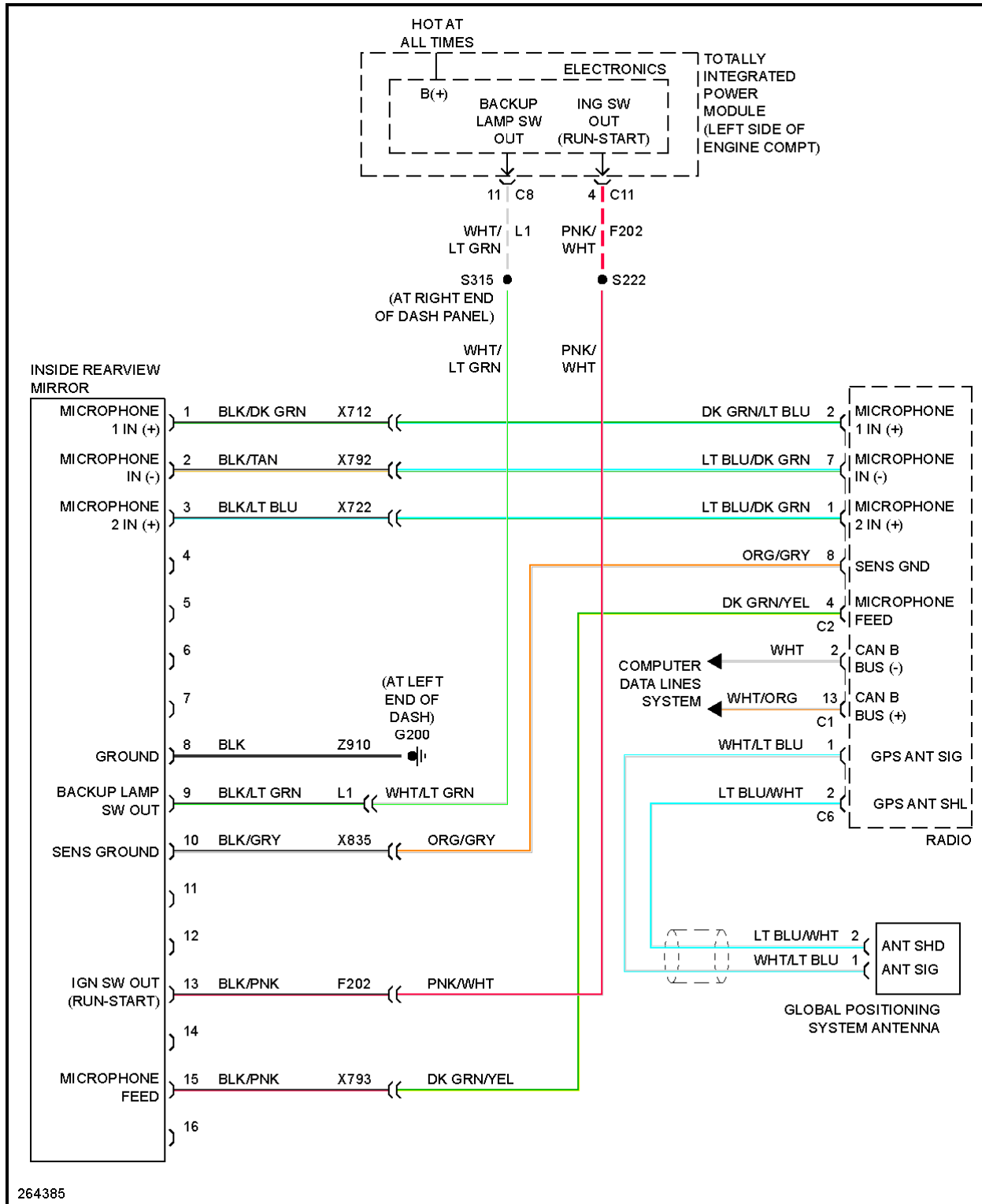


**Fig. 49: Interior Lights Circuit**

**NAVIGATION**

# 2007 Chrysler Sebring Limited

## 2007 SYSTEM WIRING DIAGRAMS Chrysler - Sebring 4D Sedan

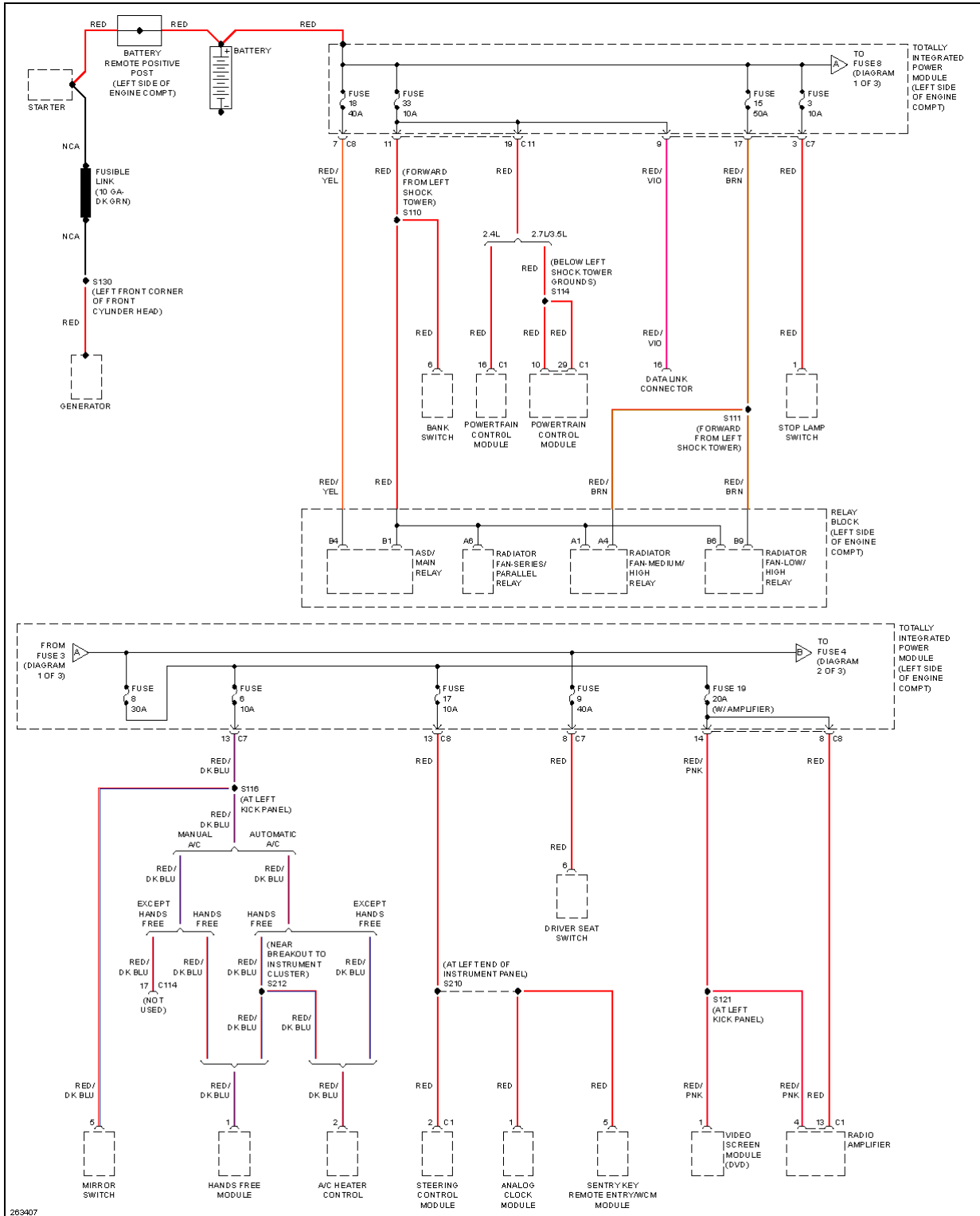


**Fig. 50: Navigation Circuit**

**POWER DISTRIBUTION**

# 2007 Chrysler Sebring Limited

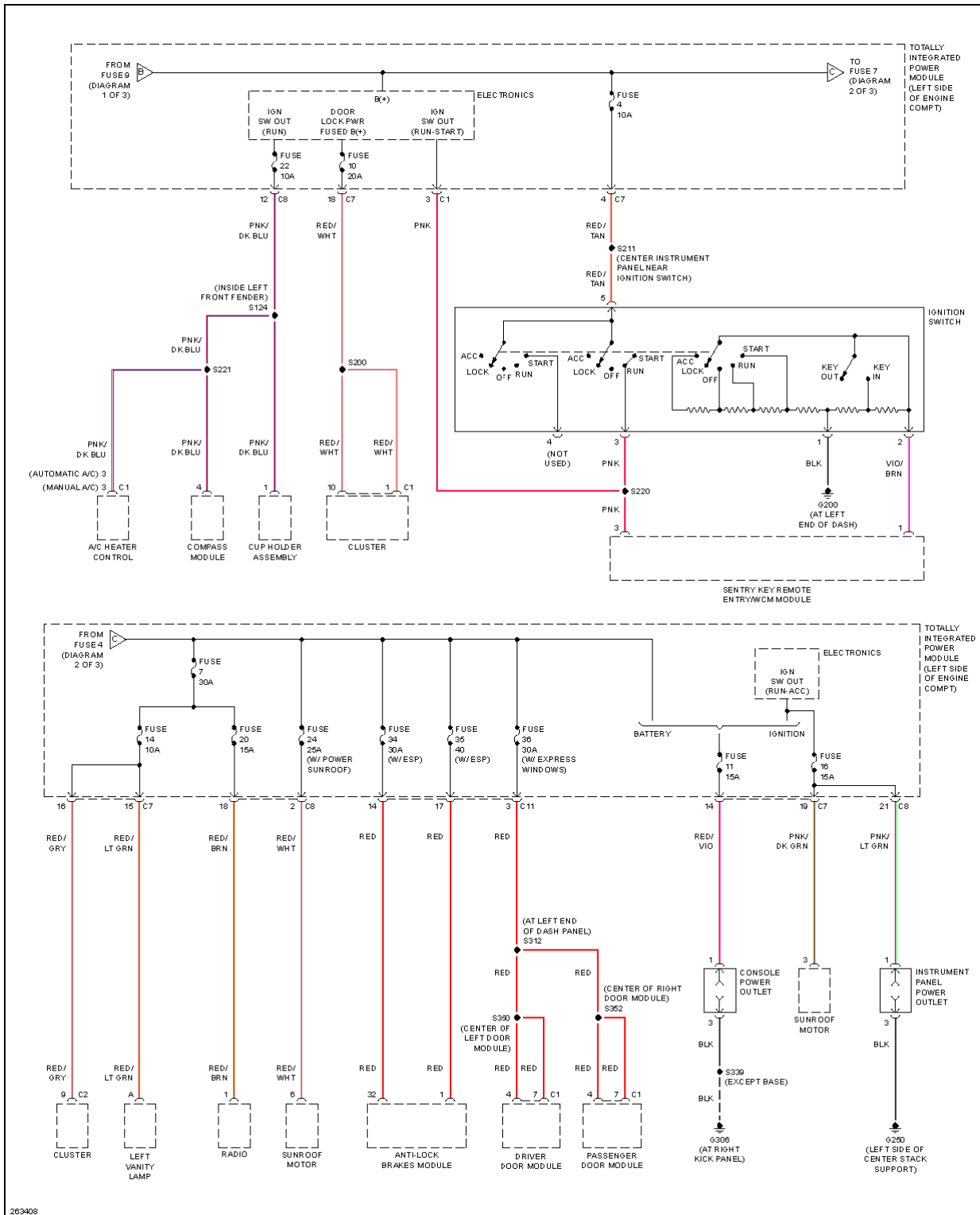
## 2007 SYSTEM WIRING DIAGRAMS Chrysler - Sebring 4D Sedan



**Fig. 51: Power Distribution Circuit (1 of 3)**

# 2007 Chrysler Sebring Limited

## 2007 SYSTEM WIRING DIAGRAMS Chrysler - Sebring 4D Sedan

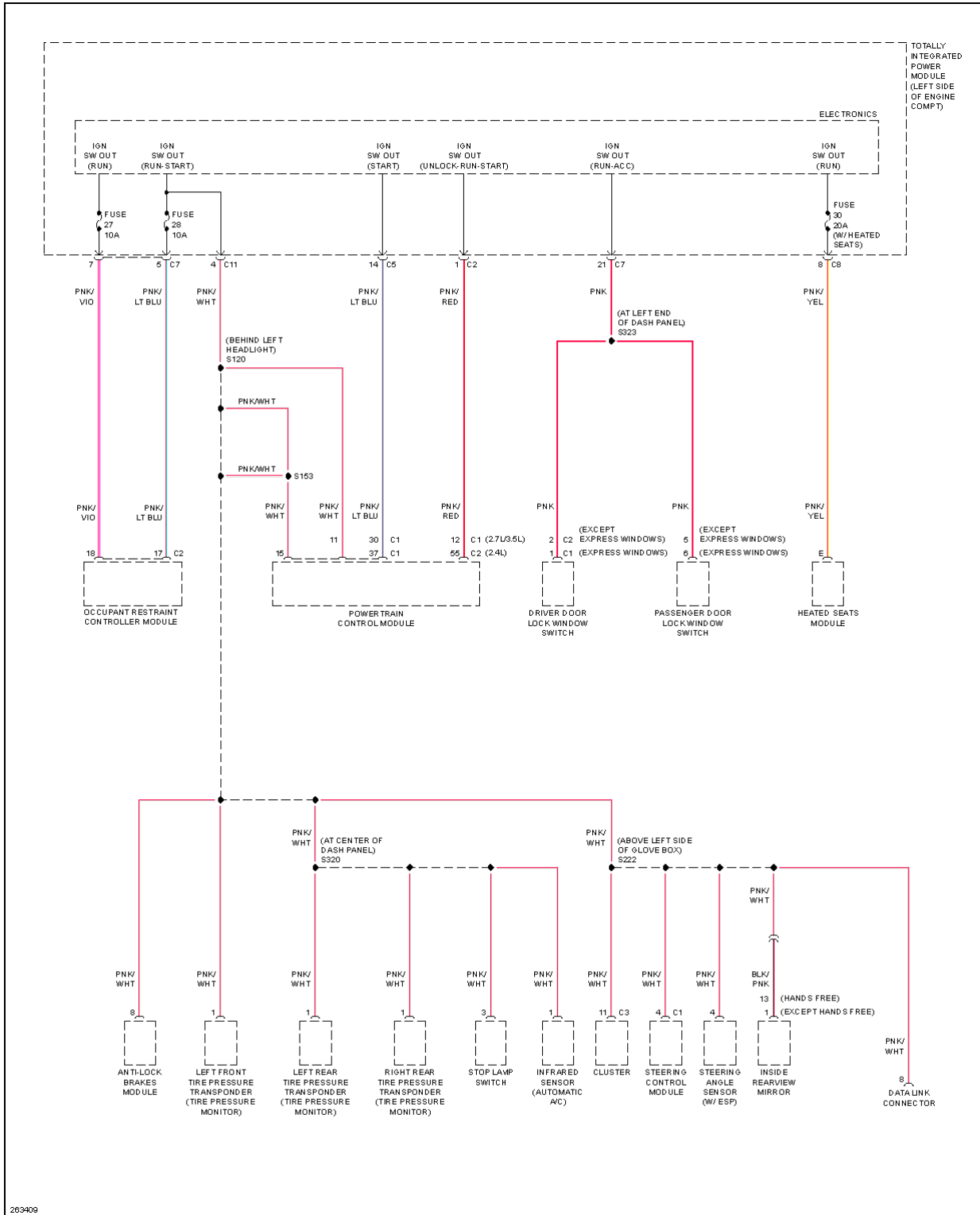




**Fig. 52: Power Distribution Circuit (2 of 3)**

# 2007 Chrysler Sebring Limited

## 2007 SYSTEM WIRING DIAGRAMS Chrysler - Sebring 4D Sedan



**Fig. 53: Power Distribution Circuit (3 of 3)**

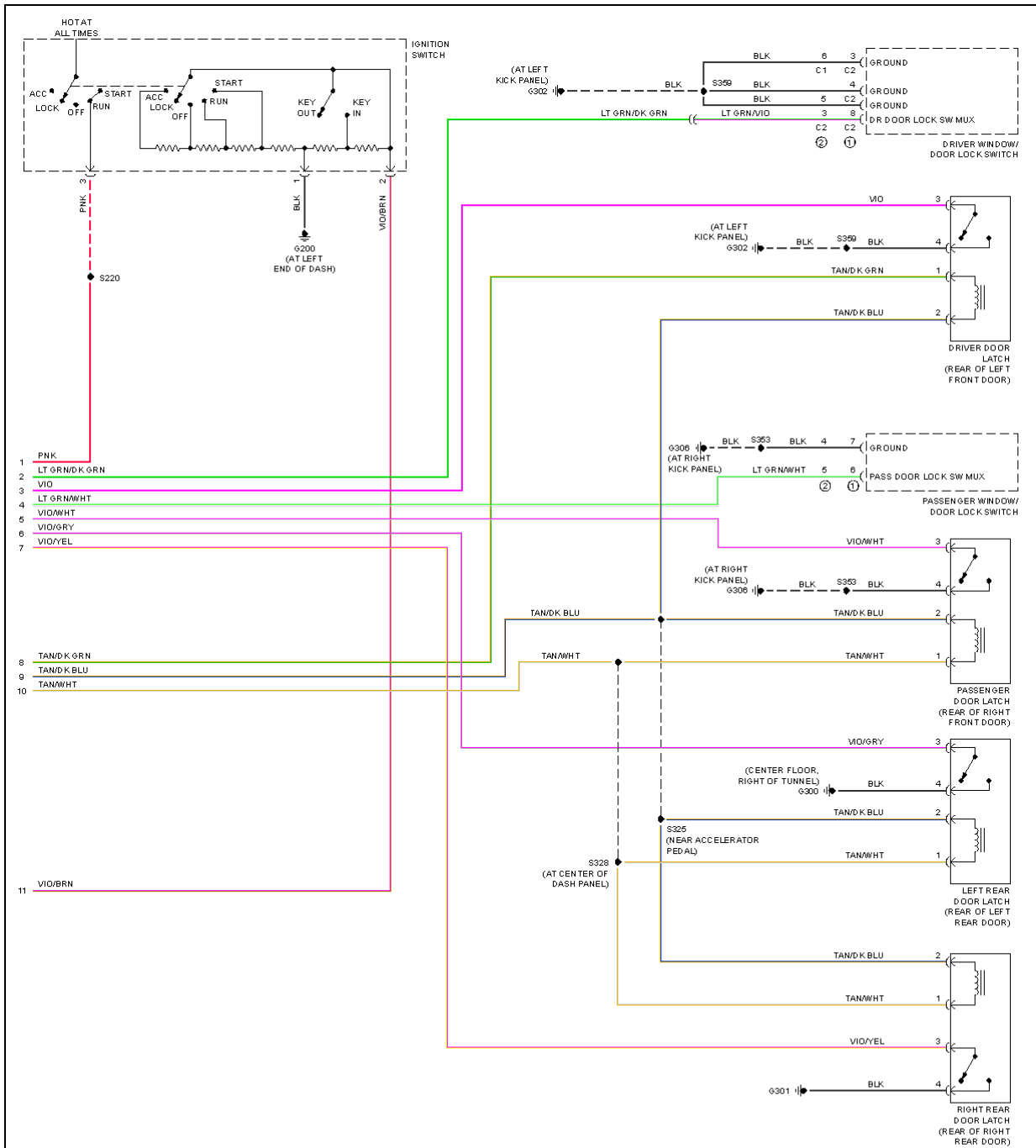
**POWER DOOR LOCKS**



**Fig. 54: Power Door Locks Circuit (1 of 2)**

# 2007 Chrysler Sebring Limited

## 2007 SYSTEM WIRING DIAGRAMS Chrysler - Sebring 4D Sedan



① EXCEPT EXPRESS WINDOWS

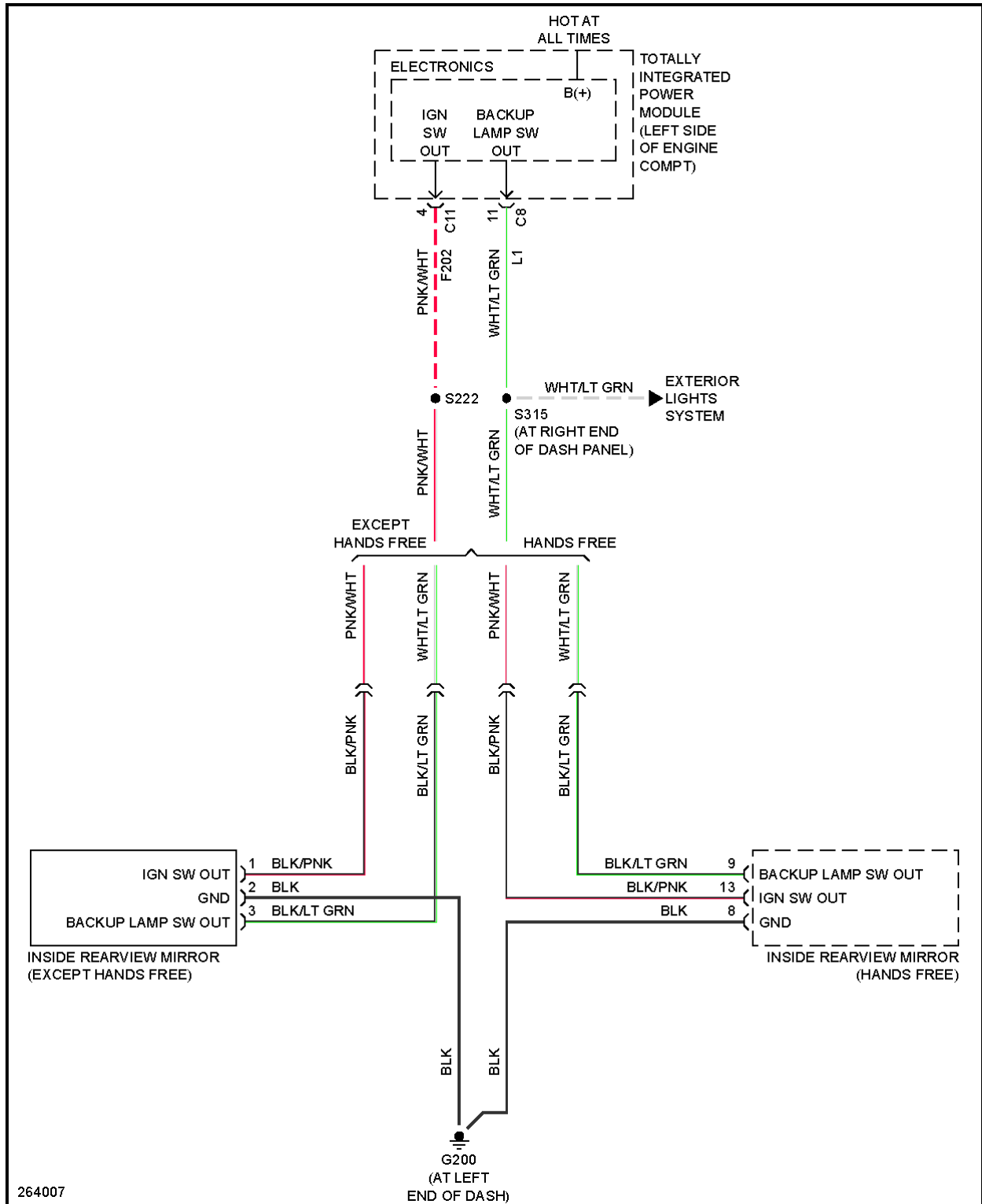
② EXPRESS WINDOWS

**Fig. 55: Power Door Locks Circuit (2 of 2)**

**POWER MIRRORS**

# 2007 Chrysler Sebring Limited

## 2007 SYSTEM WIRING DIAGRAMS Chrysler - Sebring 4D Sedan

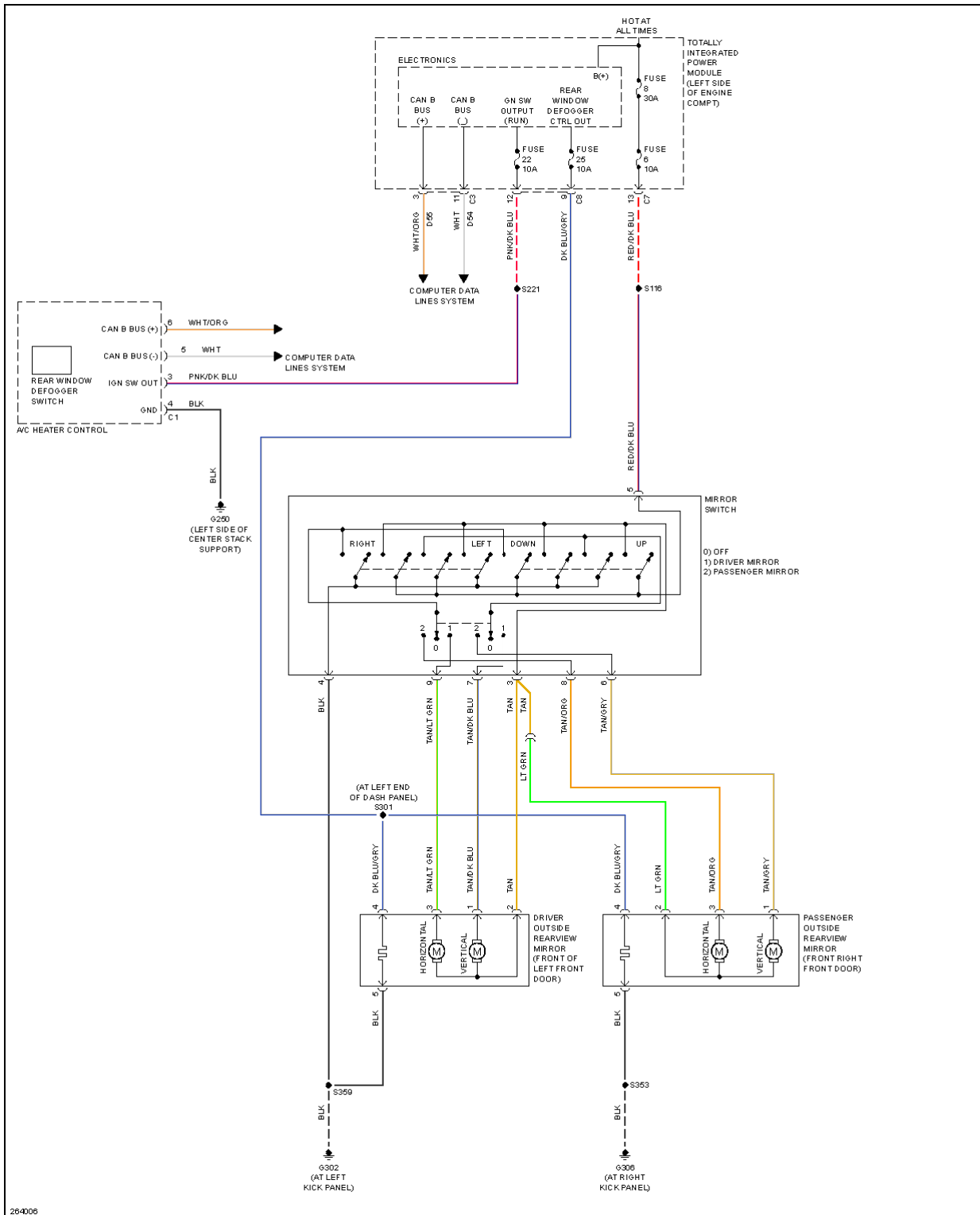




**Fig. 56: Automatic Day/Night Mirror Circuit**

# 2007 Chrysler Sebring Limited

## 2007 SYSTEM WIRING DIAGRAMS Chrysler - Sebring 4D Sedan

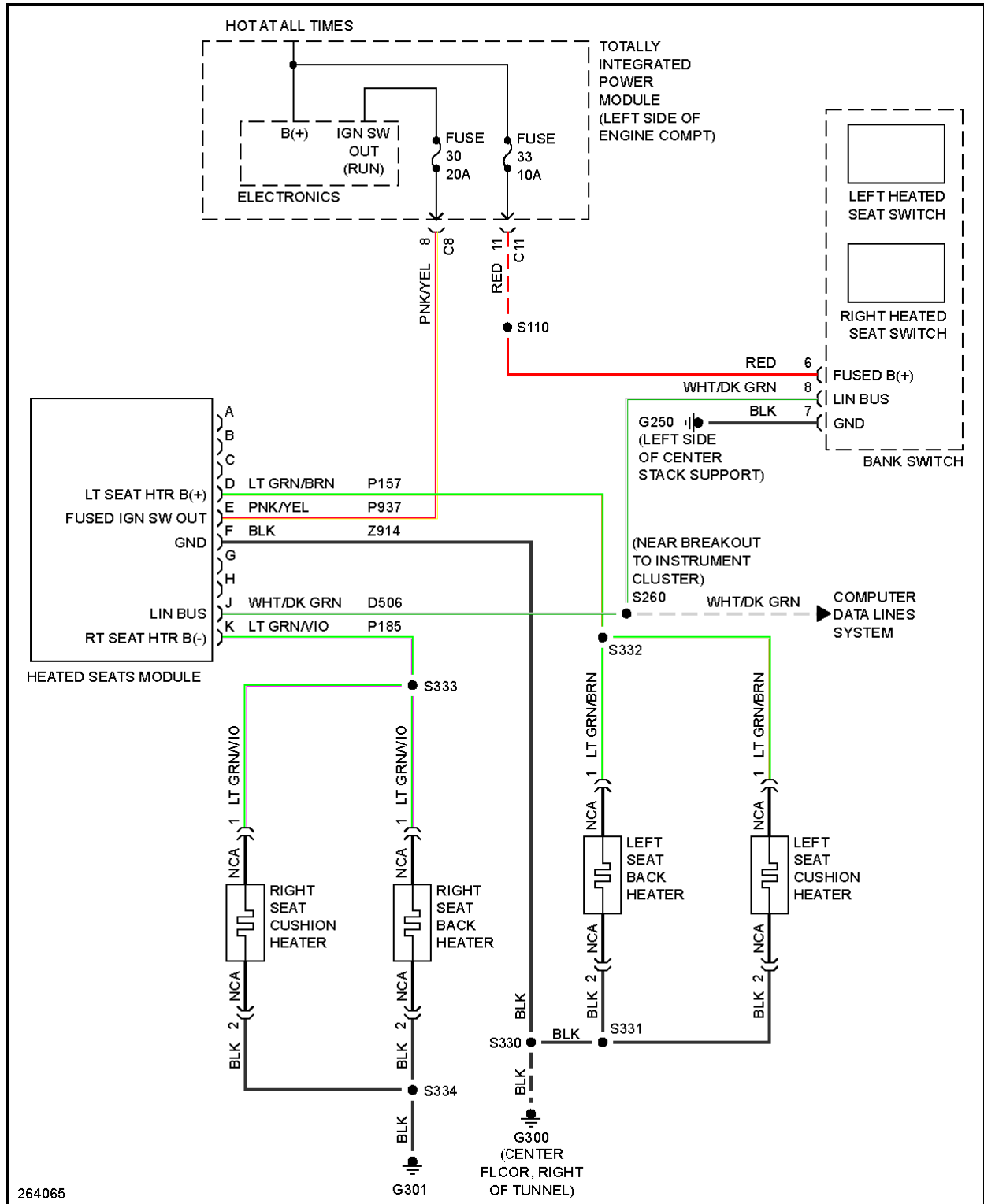


**Fig. 57: Power Mirrors Circuit**

**POWER SEATS**

# 2007 Chrysler Sebring Limited

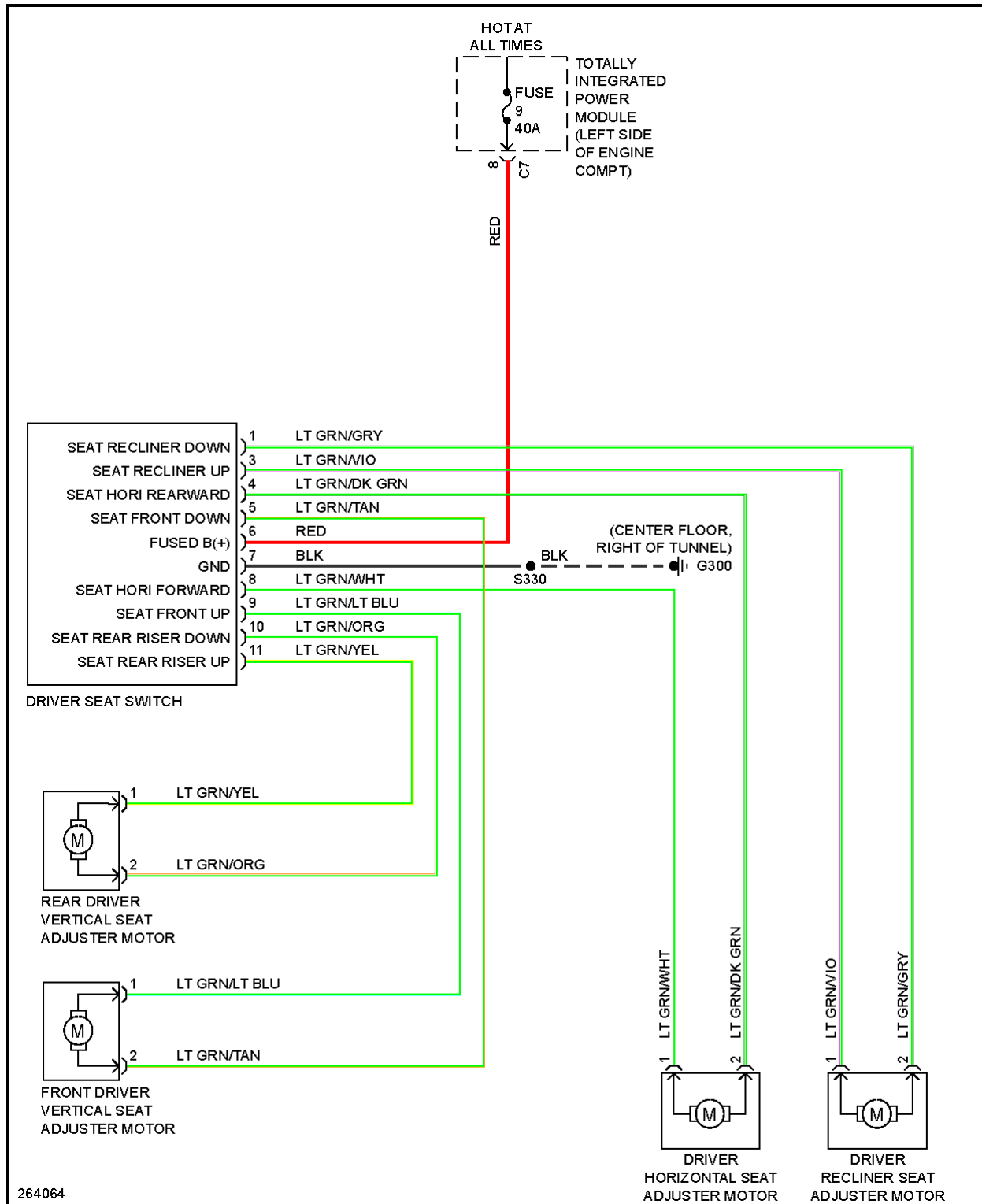
## 2007 SYSTEM WIRING DIAGRAMS Chrysler - Sebring 4D Sedan



**Fig. 58: Heated Seats Circuit**

# 2007 Chrysler Sebring Limited

## 2007 SYSTEM WIRING DIAGRAMS Chrysler - Sebring 4D Sedan

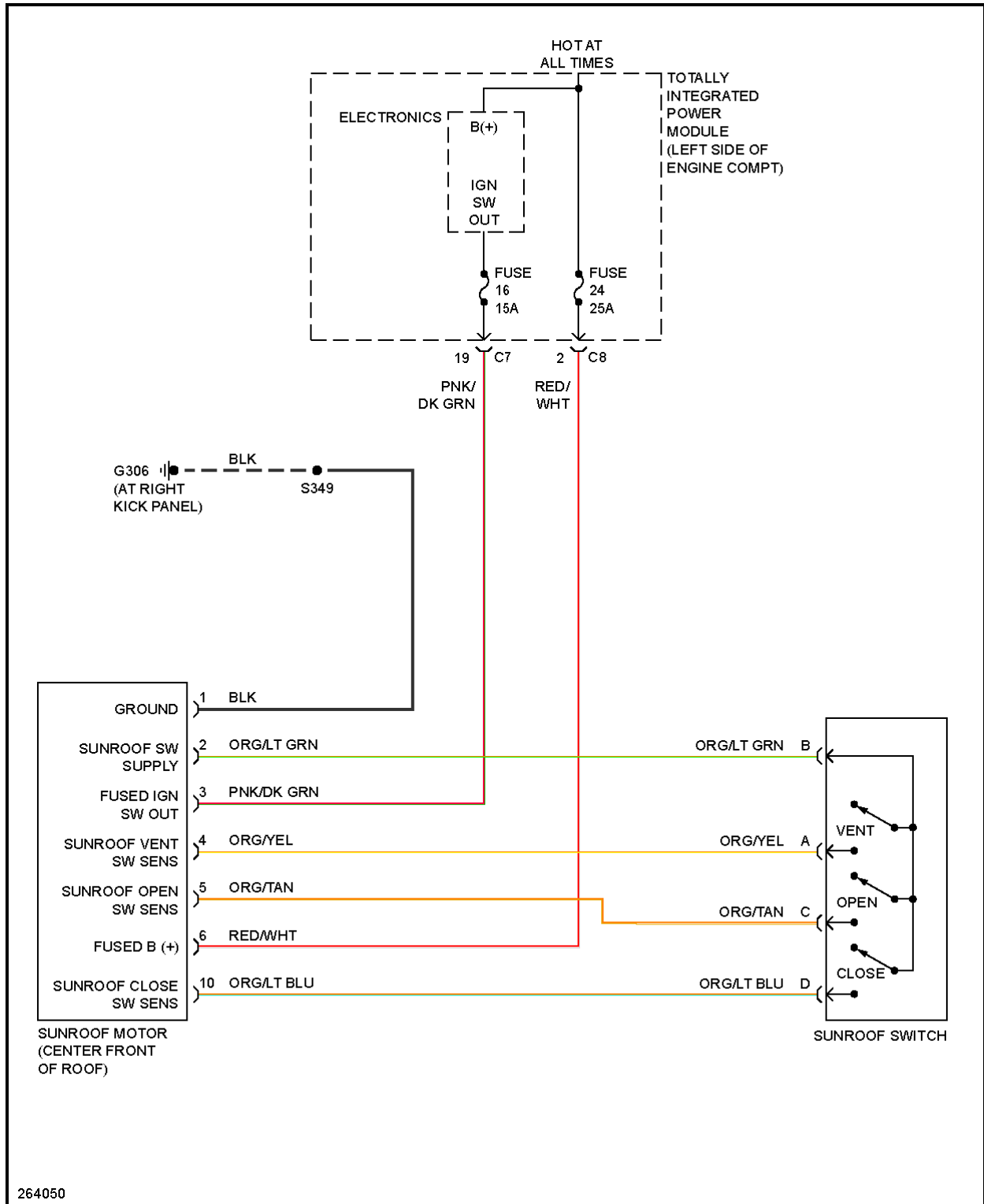


**Fig. 59: Power Seat Circuit**

**POWER TOP/SUNROOF**

# 2007 Chrysler Sebring Limited

## 2007 SYSTEM WIRING DIAGRAMS Chrysler - Sebring 4D Sedan



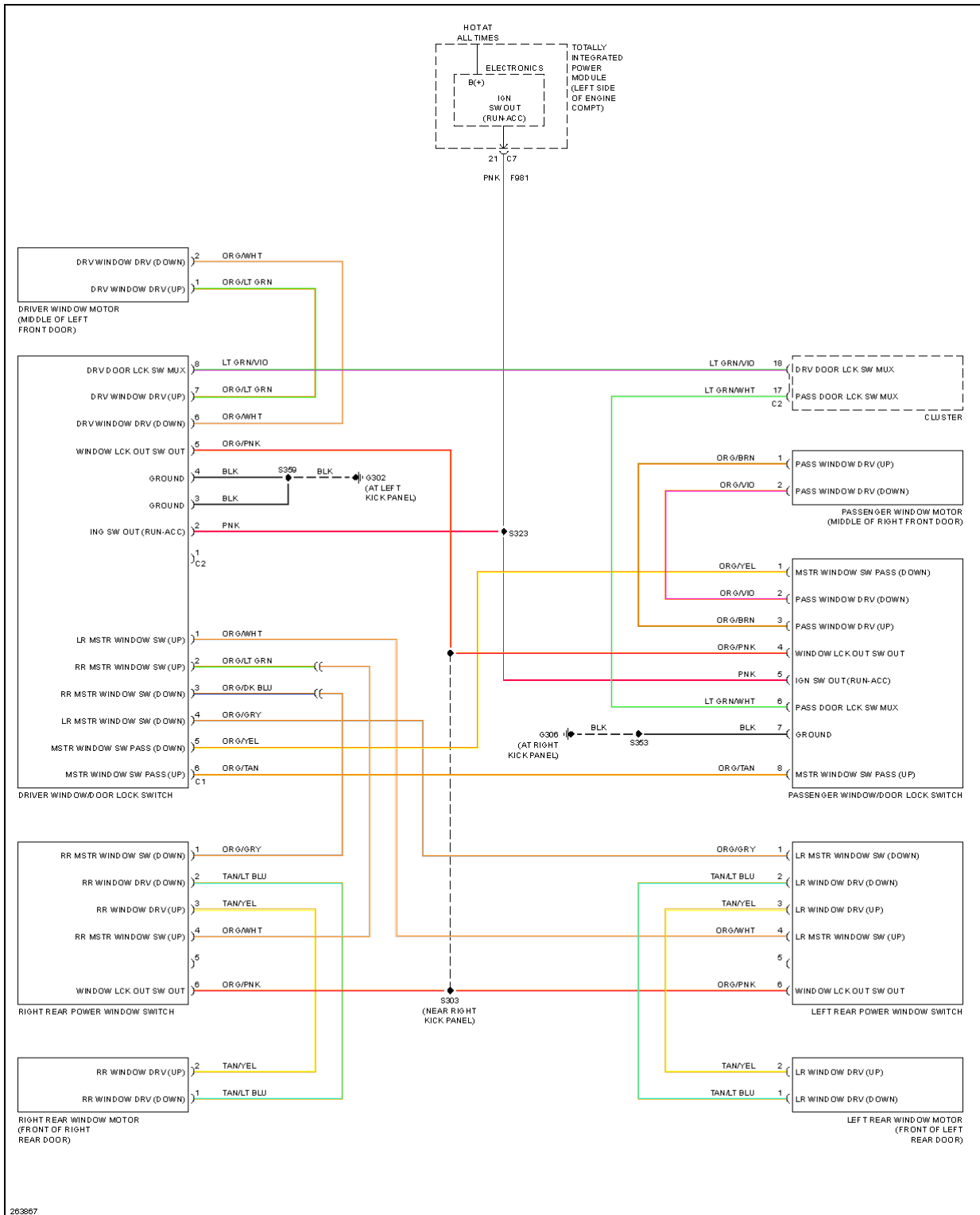


**Fig. 60: Power Top/Sunroof Circuit**

**POWER WINDOWS**

# 2007 Chrysler Sebring Limited

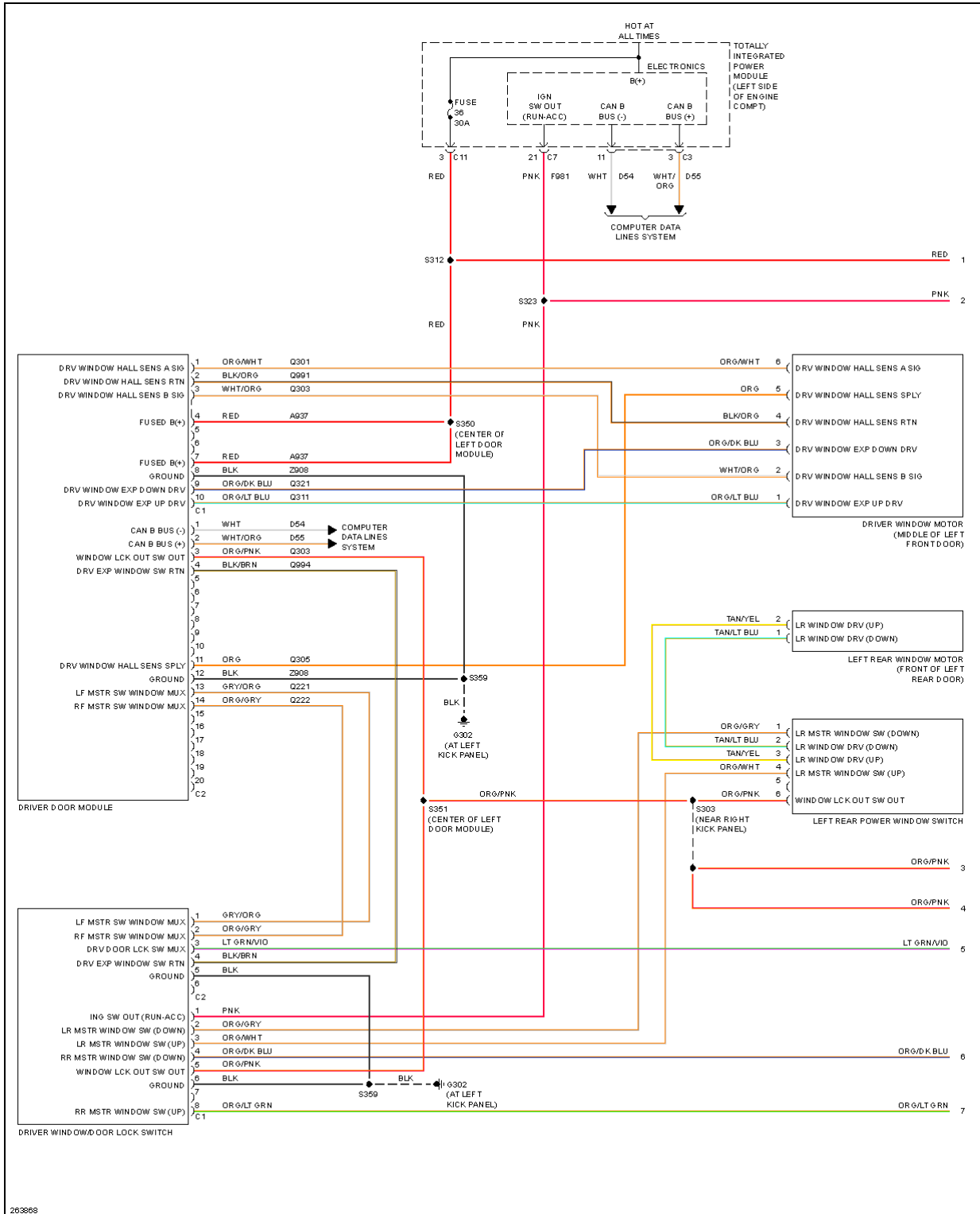
## 2007 SYSTEM WIRING DIAGRAMS Chrysler - Sebring 4D Sedan



**Fig. 61: Power Windows Circuit, Except Express Windows**

# 2007 Chrysler Sebring Limited

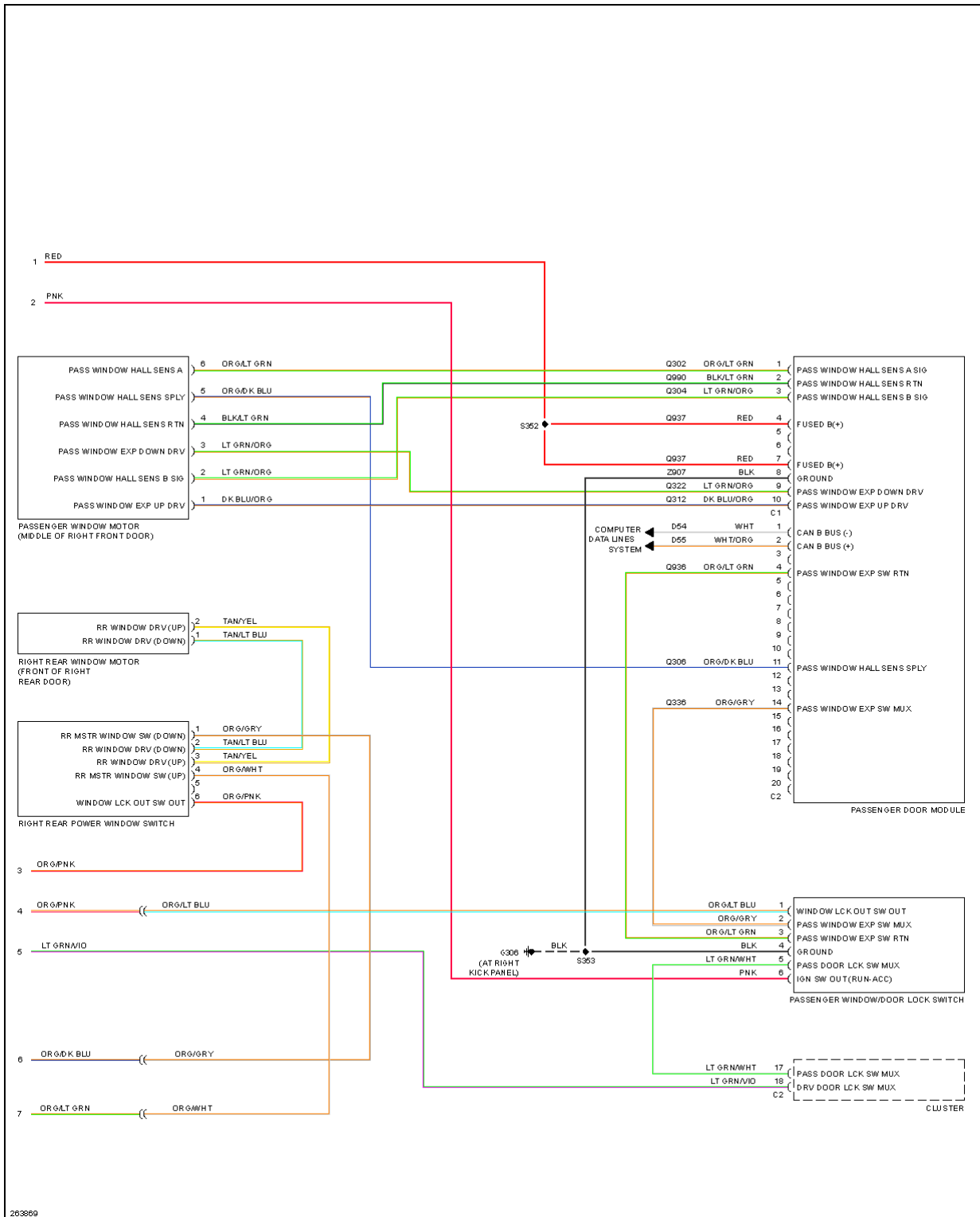
## 2007 SYSTEM WIRING DIAGRAMS Chrysler - Sebring 4D Sedan



**Fig. 62: Power Windows Circuit, Express Windows (1 of 2)**

# 2007 Chrysler Sebring Limited

## 2007 SYSTEM WIRING DIAGRAMS Chrysler - Sebring 4D Sedan

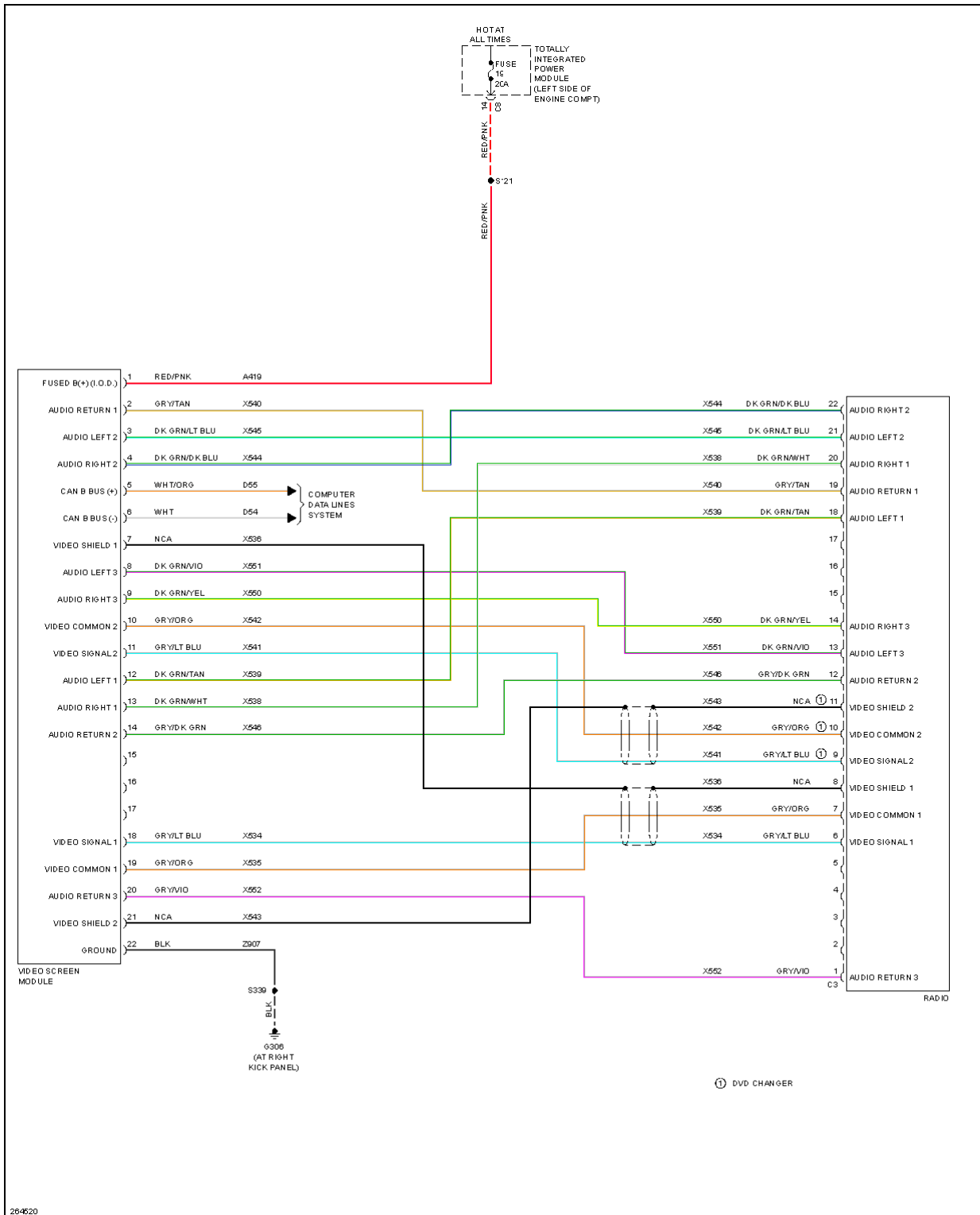


**Fig. 63: Power Windows Circuit, Express Windows (2 of 2)**

**RADIO**

# 2007 Chrysler Sebring Limited

## 2007 SYSTEM WIRING DIAGRAMS Chrysler - Sebring 4D Sedan

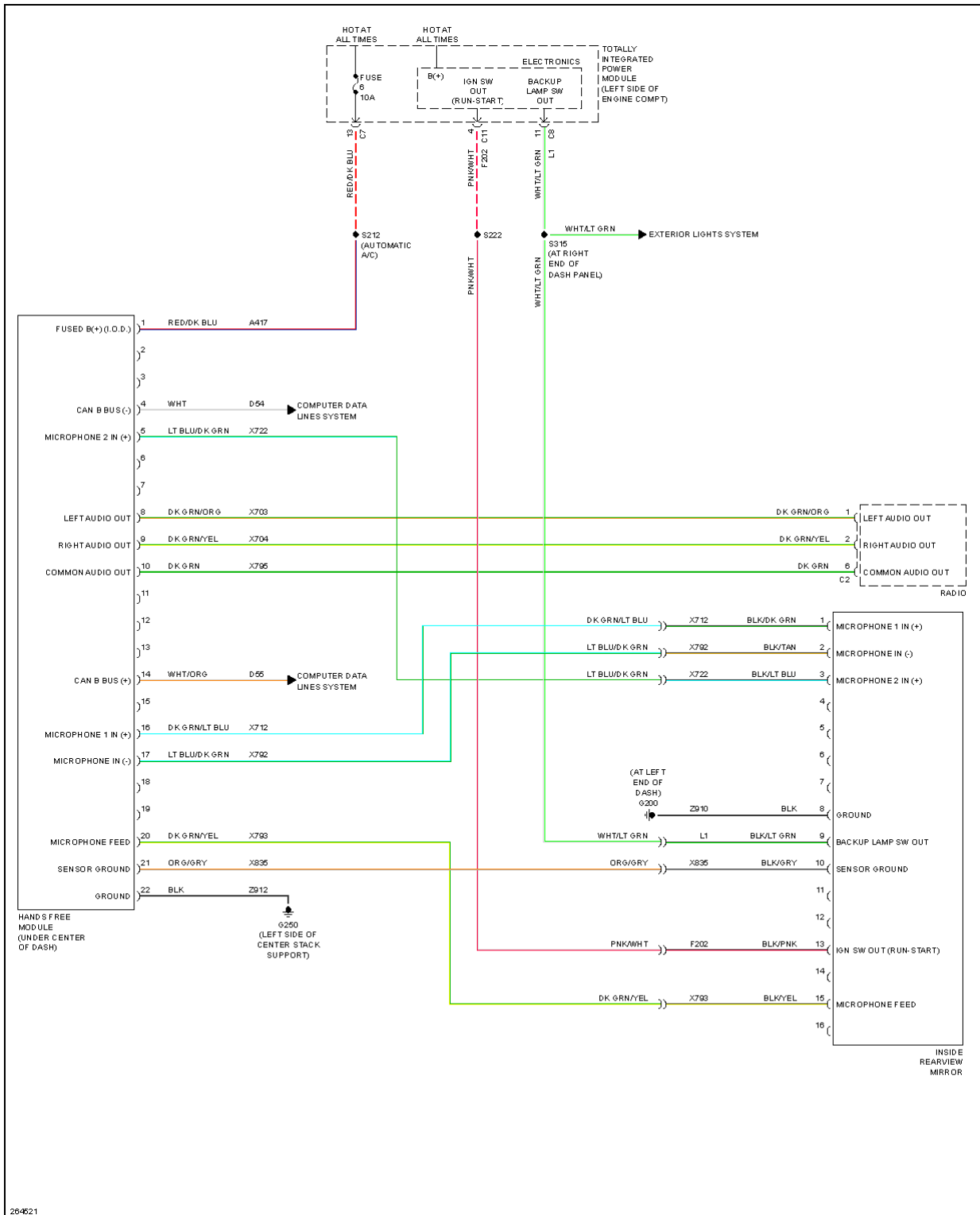




**Fig. 64: DVD Player Circuit**

# 2007 Chrysler Sebring Limited

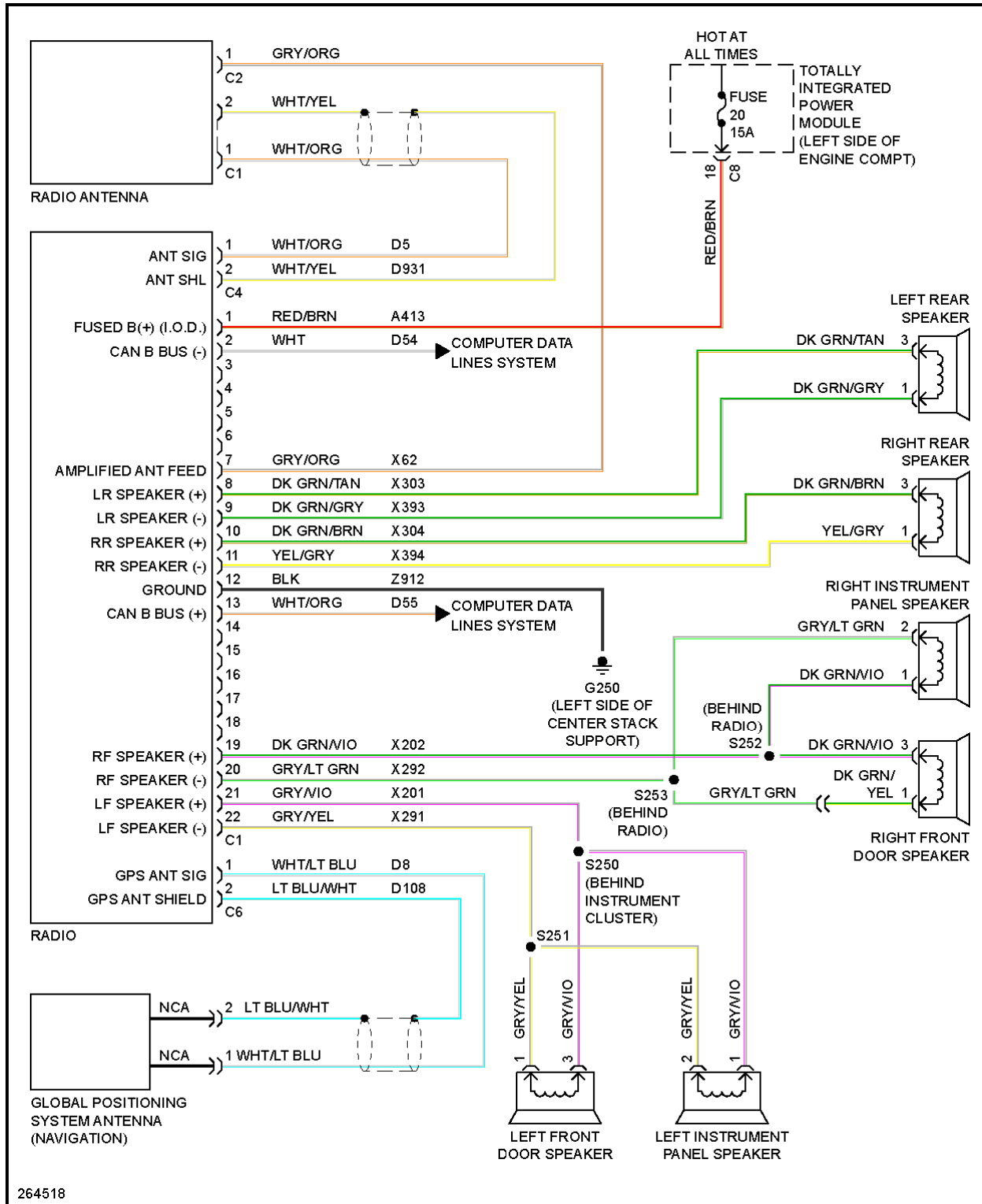
## 2007 SYSTEM WIRING DIAGRAMS Chrysler - Sebring 4D Sedan



**Fig. 65: Hands Free Module Circuit**

# 2007 Chrysler Sebring Limited

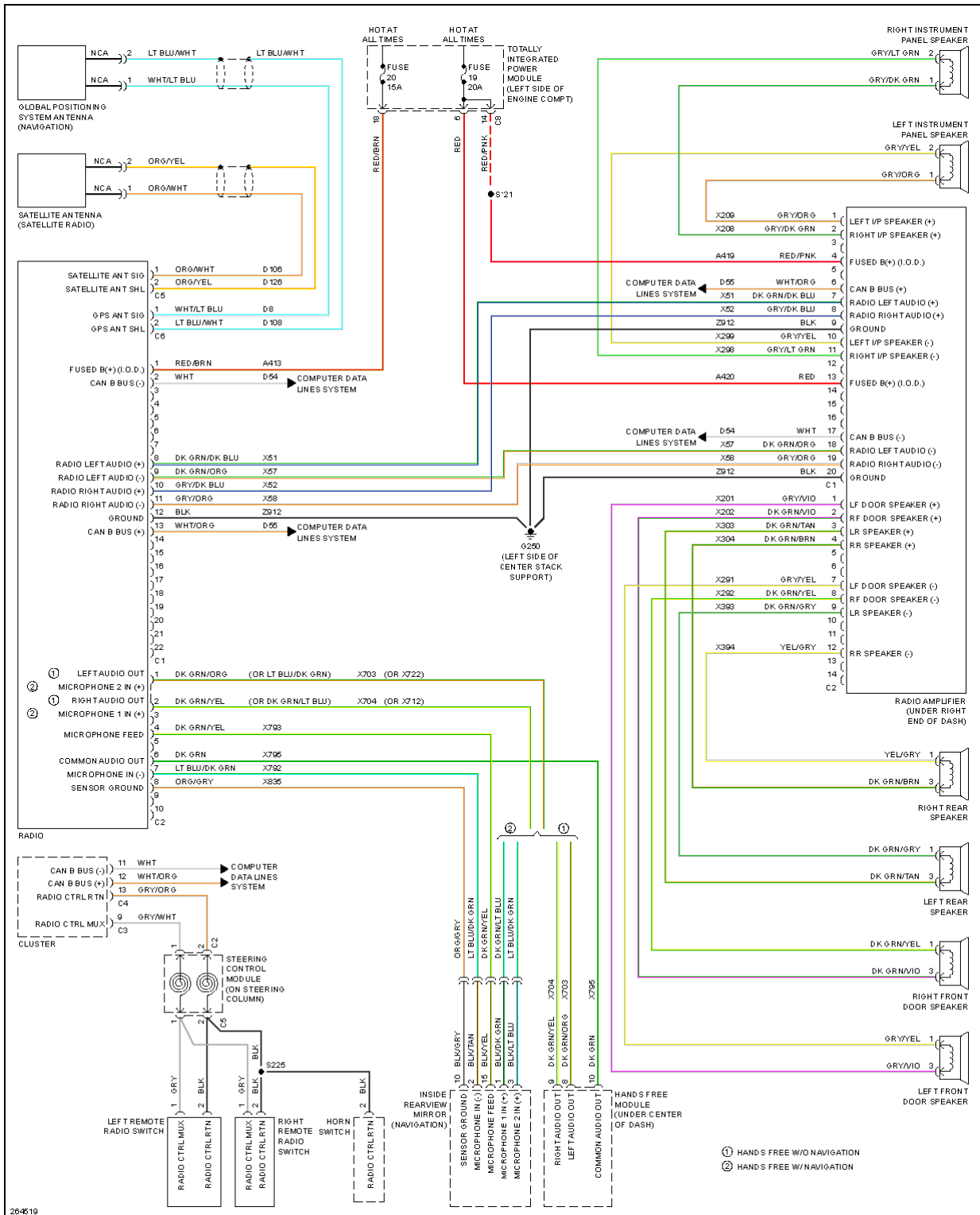
## 2007 SYSTEM WIRING DIAGRAMS Chrysler - Sebring 4D Sedan



**Fig. 66: Radio Circuit, Base**

# 2007 Chrysler Sebring Limited

## 2007 SYSTEM WIRING DIAGRAMS Chrysler - Sebring 4D Sedan

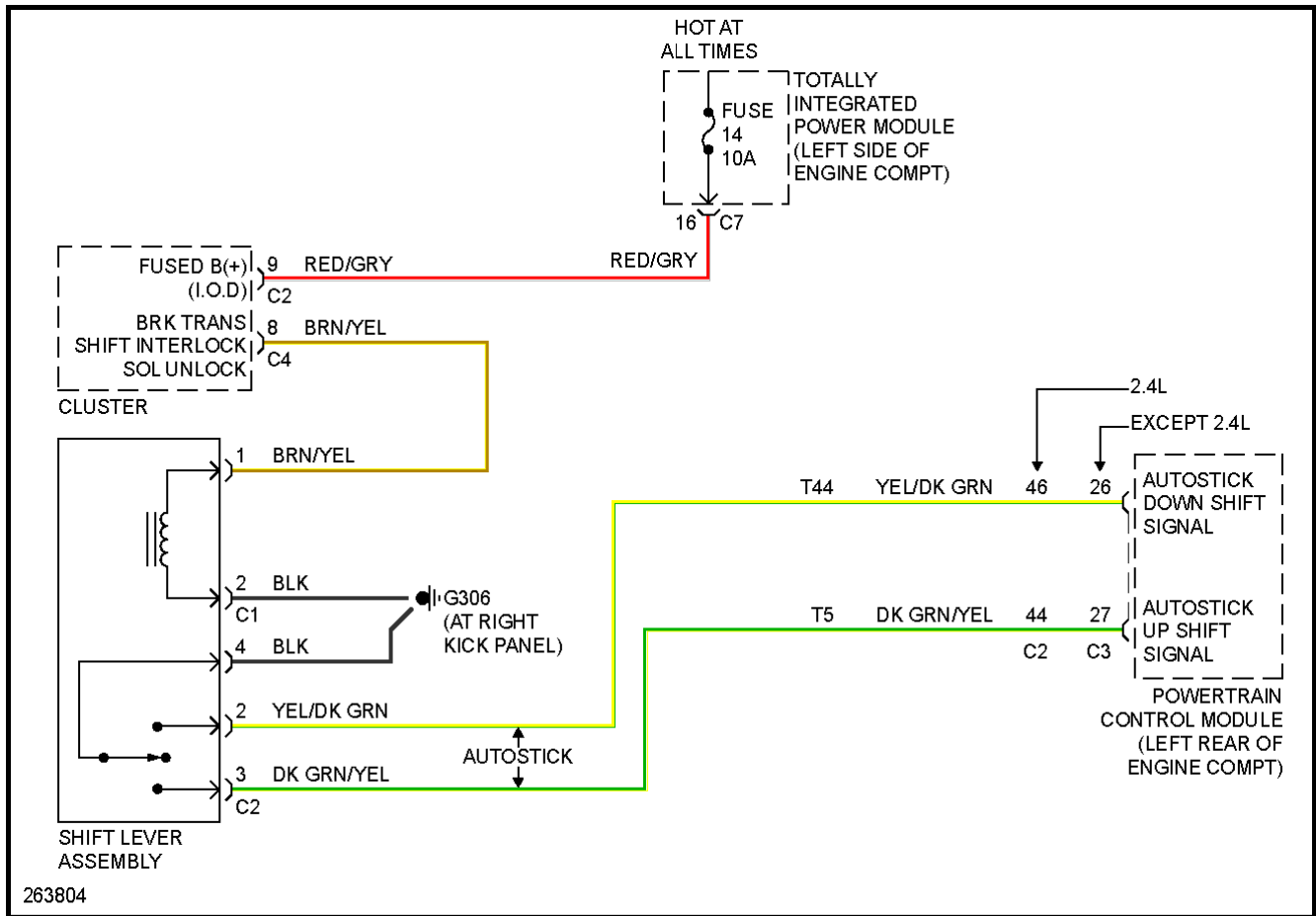


**Fig. 67: Radio Circuit, Premium**

**SHIFT INTERLOCK**

# 2007 Chrysler Sebring Limited

## 2007 SYSTEM WIRING DIAGRAMS Chrysler - Sebring 4D Sedan



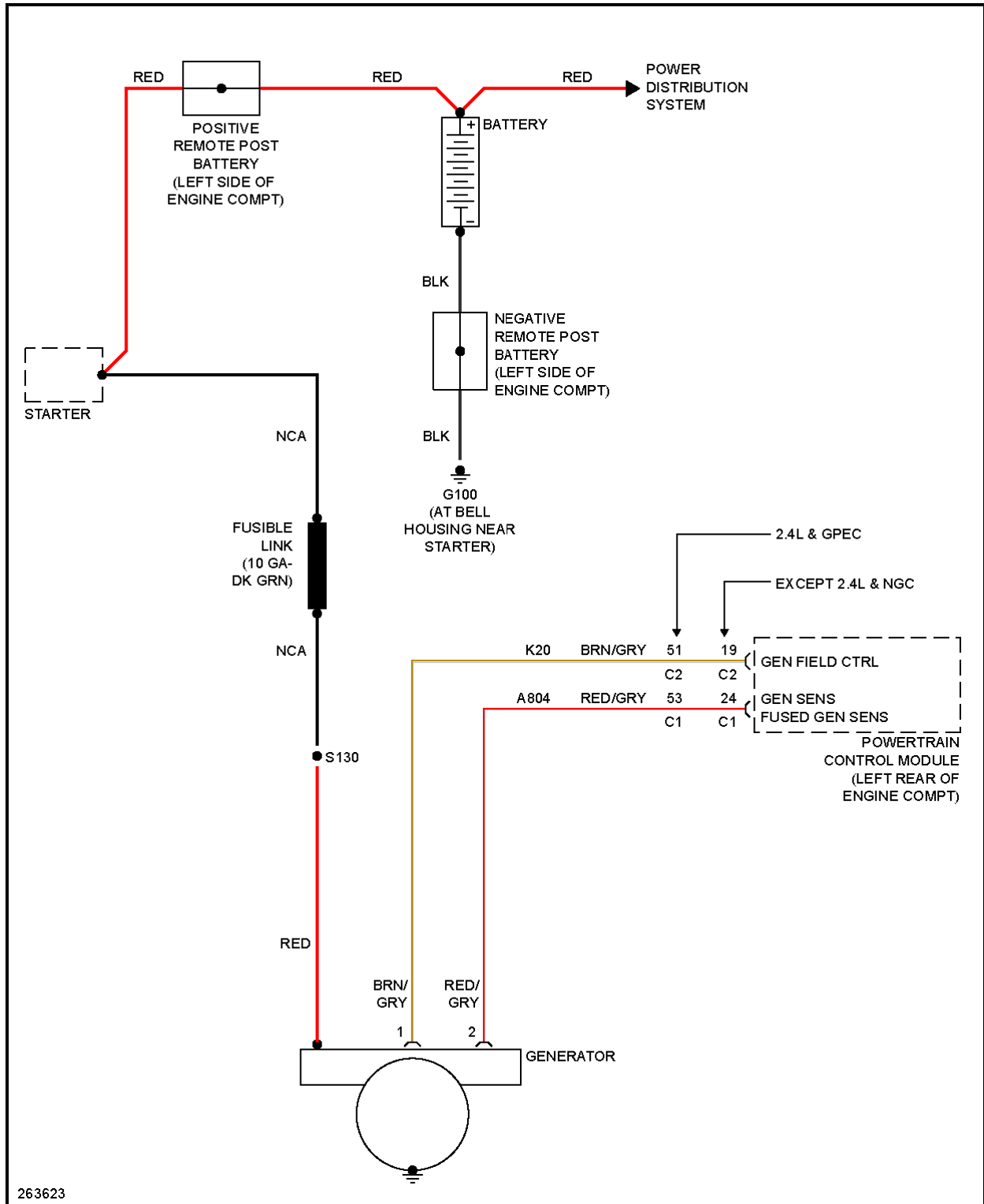


**Fig. 68: Shift Interlock Circuit**

**STARTING/CHARGING**

# 2007 Chrysler Sebring Limited

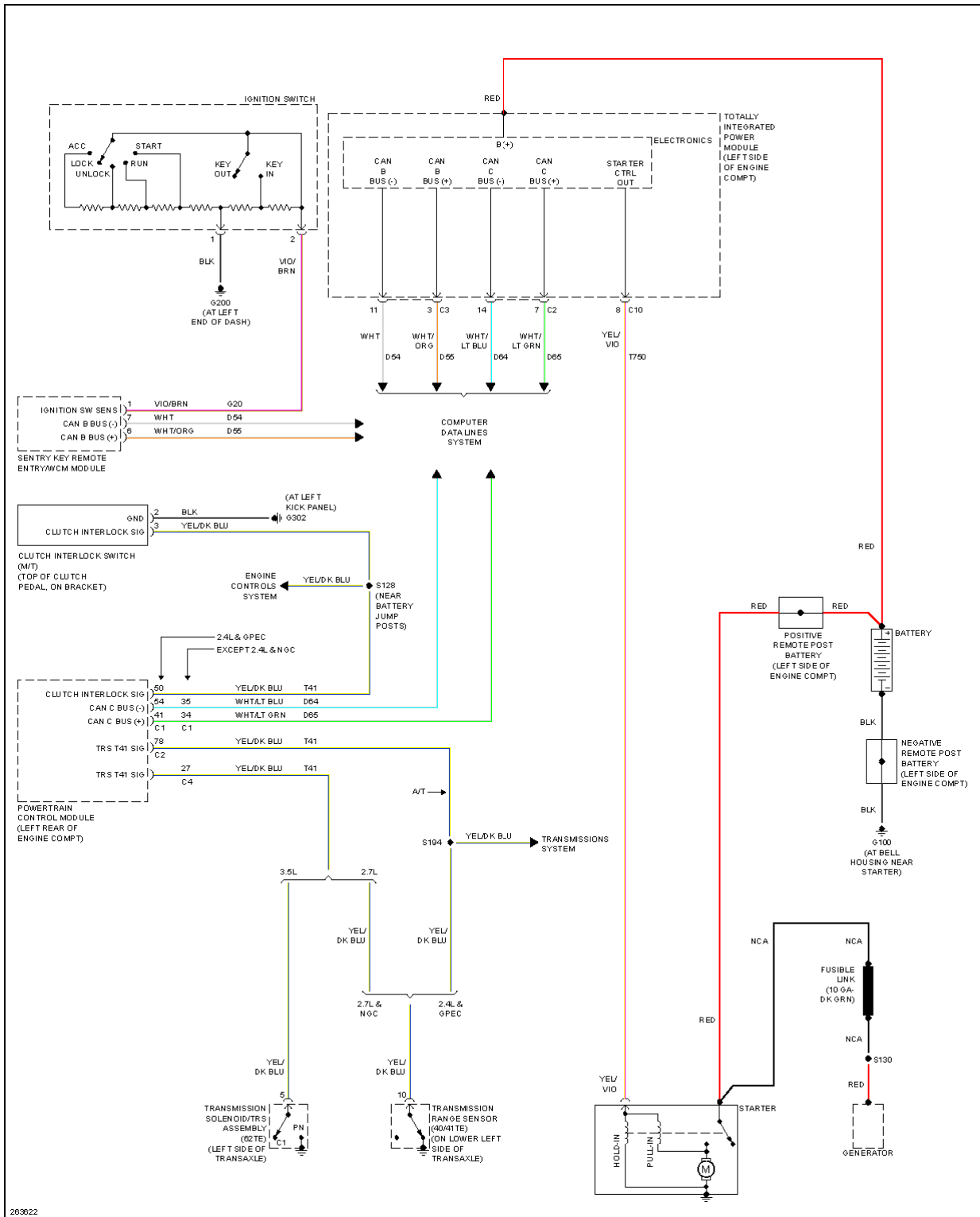
## 2007 SYSTEM WIRING DIAGRAMS Chrysler - Sebring 4D Sedan



**Fig. 69: Charging Circuit**

# 2007 Chrysler Sebring Limited

## 2007 SYSTEM WIRING DIAGRAMS Chrysler - Sebring 4D Sedan

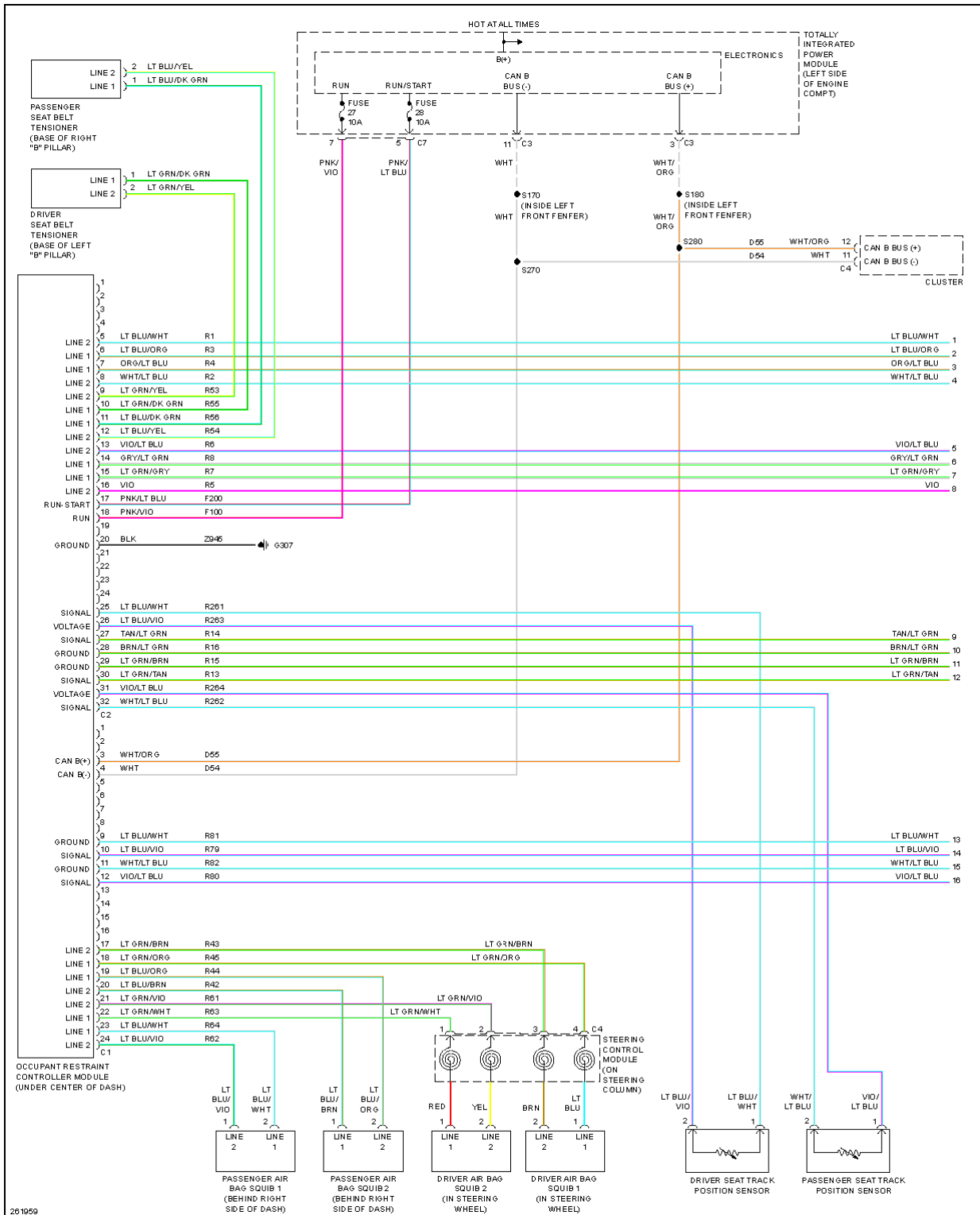


**Fig. 70: Starting Circuit**

**SUPPLEMENTAL RESTRAINTS**

# 2007 Chrysler Sebring Limited

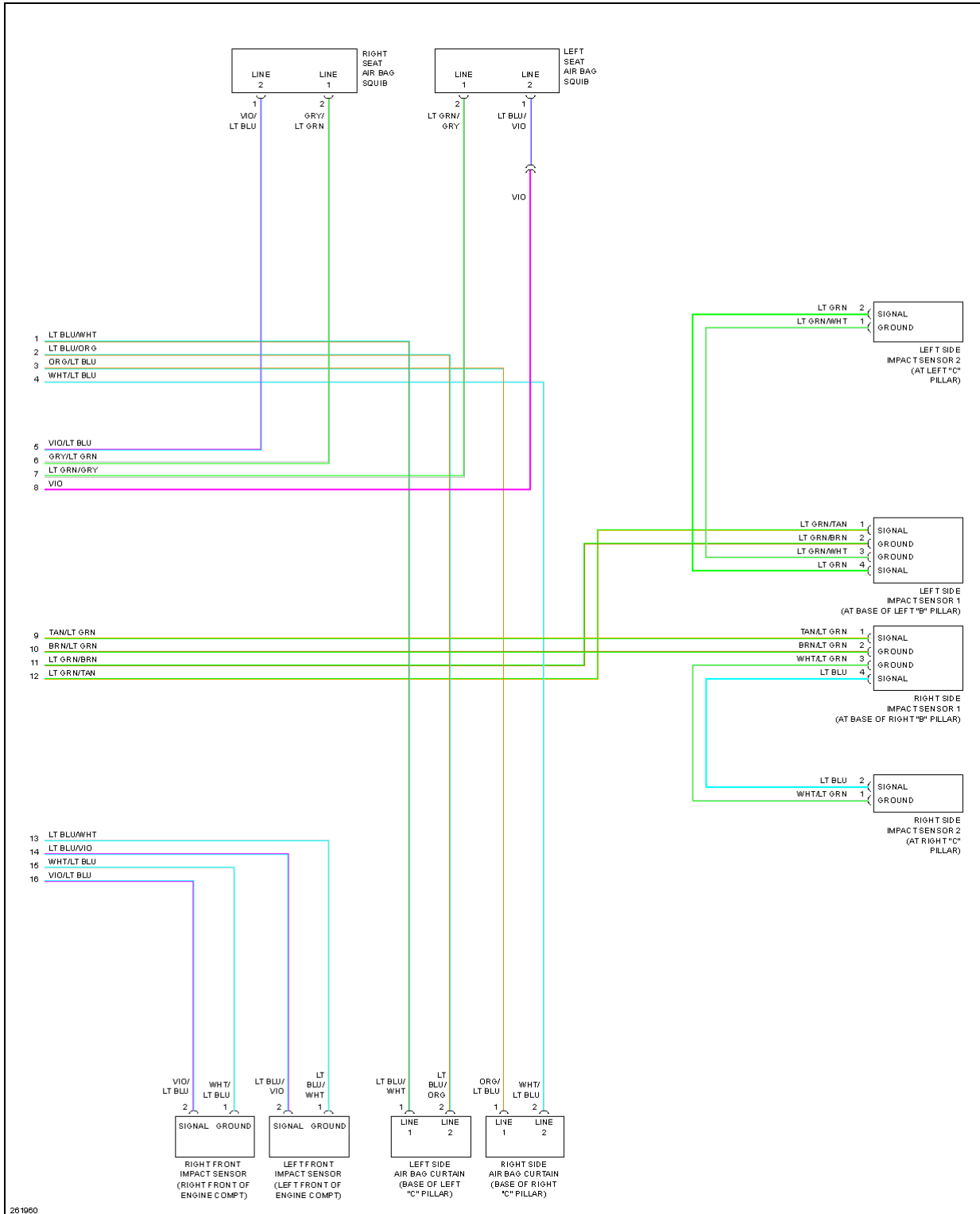
## 2007 SYSTEM WIRING DIAGRAMS Chrysler - Sebring 4D Sedan



**Fig. 71: Supplemental Restraints Circuit, Base (1 of 2)**

# 2007 Chrysler Sebring Limited

## 2007 SYSTEM WIRING DIAGRAMS Chrysler - Sebring 4D Sedan





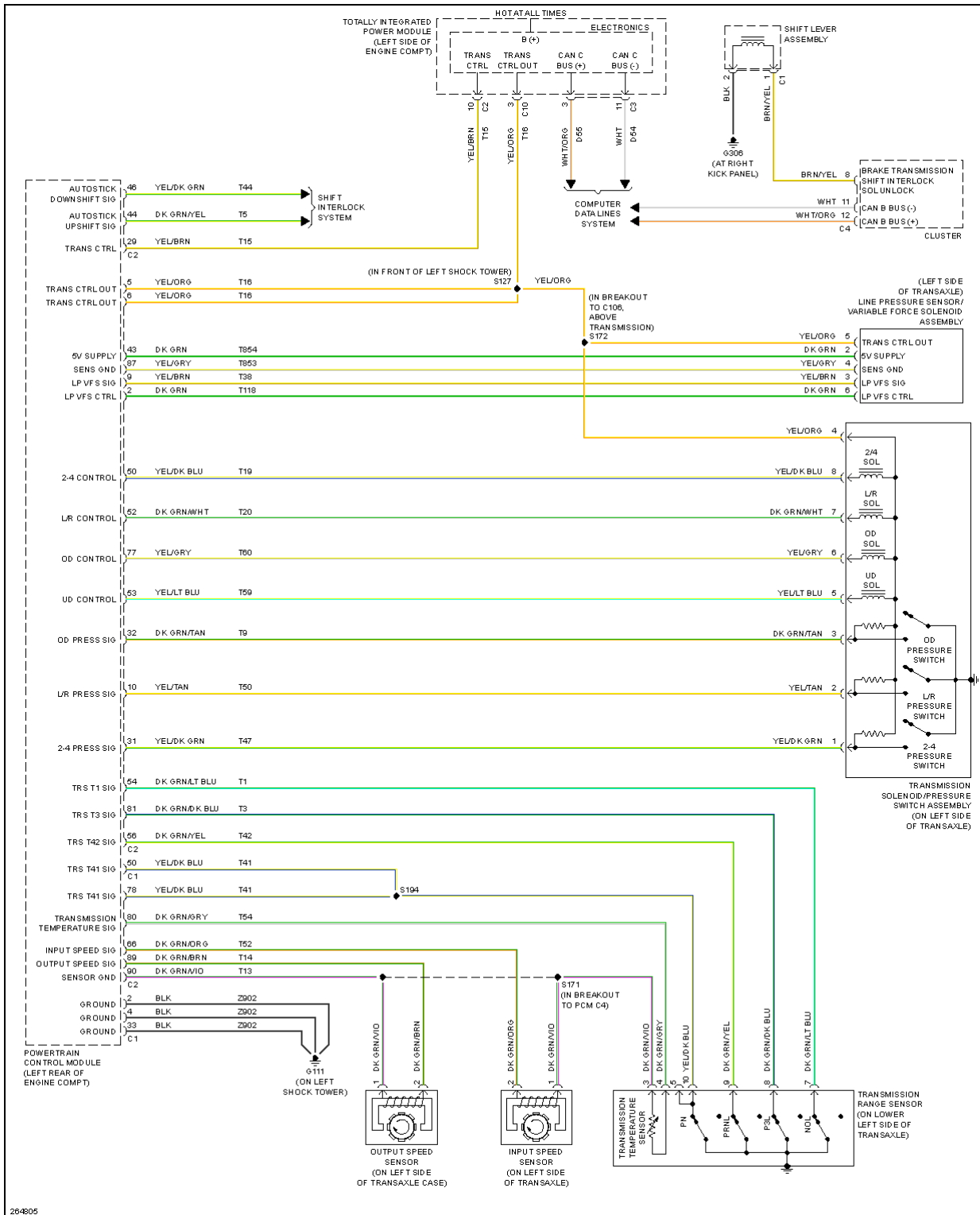
**Fig. 72: Supplemental Restraints Circuit, Base (2 of 2)**

**TRANSMISSION**

**2.4L**

# 2007 Chrysler Sebring Limited

## 2007 SYSTEM WIRING DIAGRAMS Chrysler - Sebring 4D Sedan

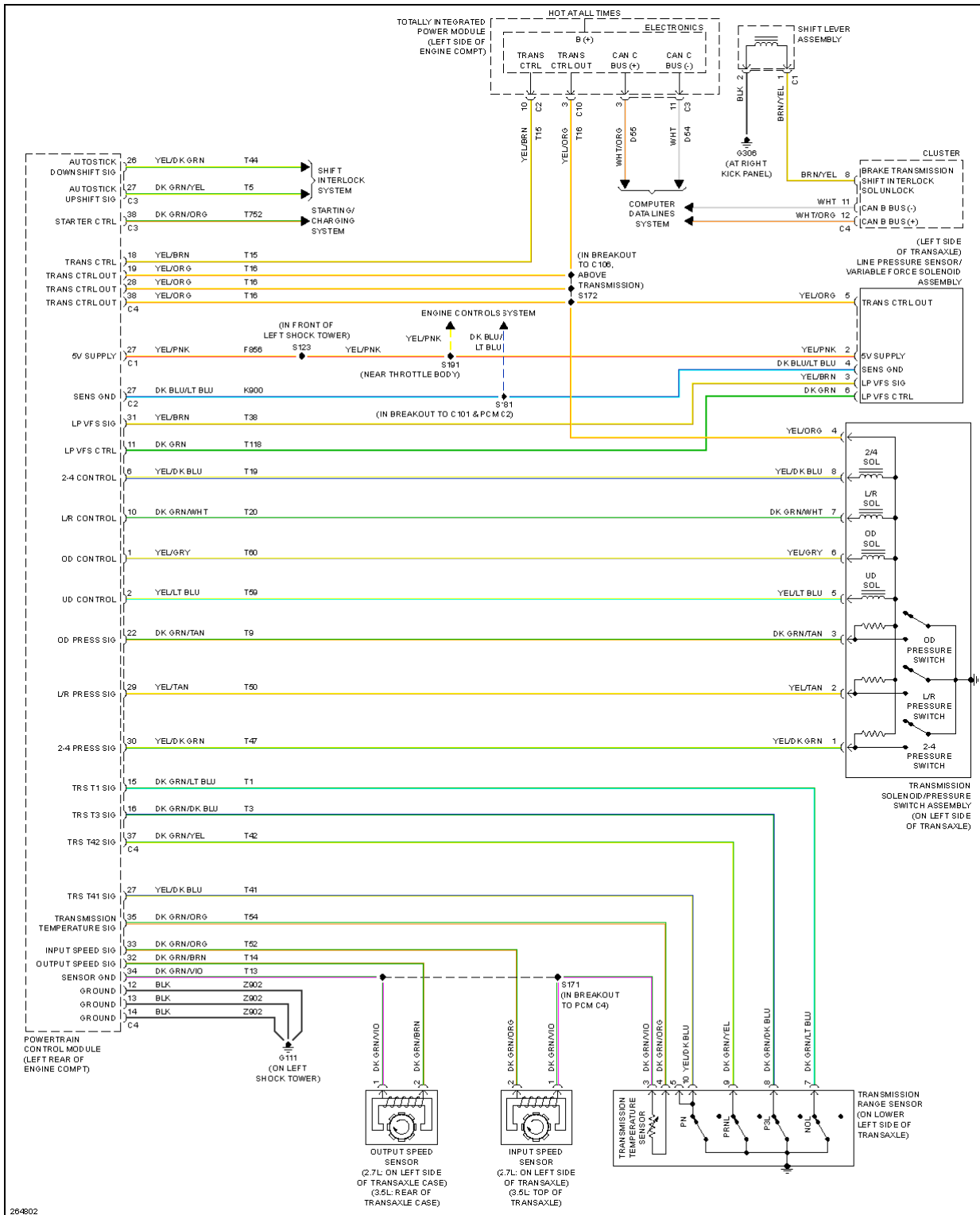


**Fig. 73: 2.4L, A/T Circuit, 40/41TE**

**2.7L FLEX FUEL**

# 2007 Chrysler Sebring Limited

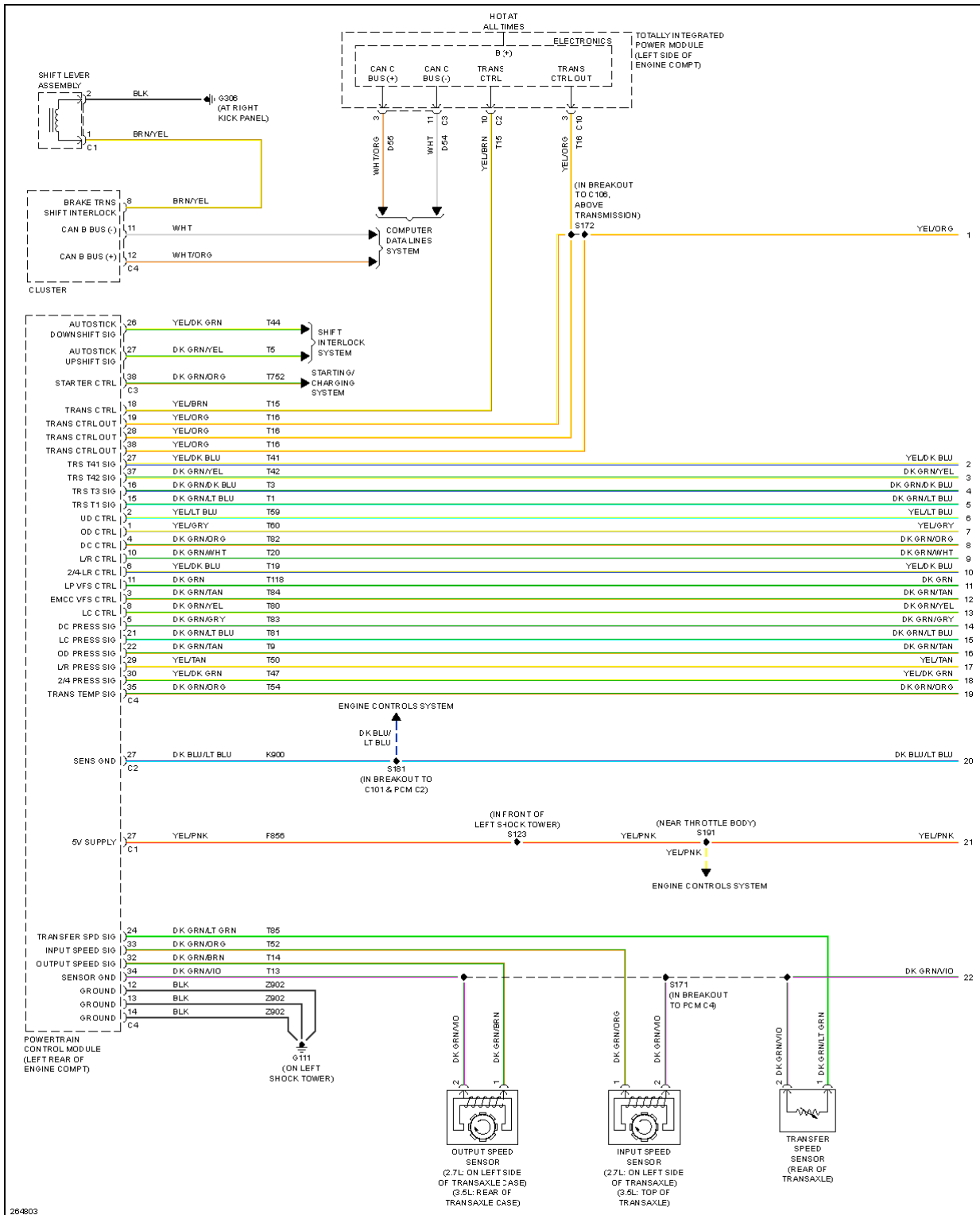
## 2007 SYSTEM WIRING DIAGRAMS Chrysler - Sebring 4D Sedan



**Fig. 74: 2.7L Flex Fuel, A/T Circuit, 40/41TE**

# 2007 Chrysler Sebring Limited

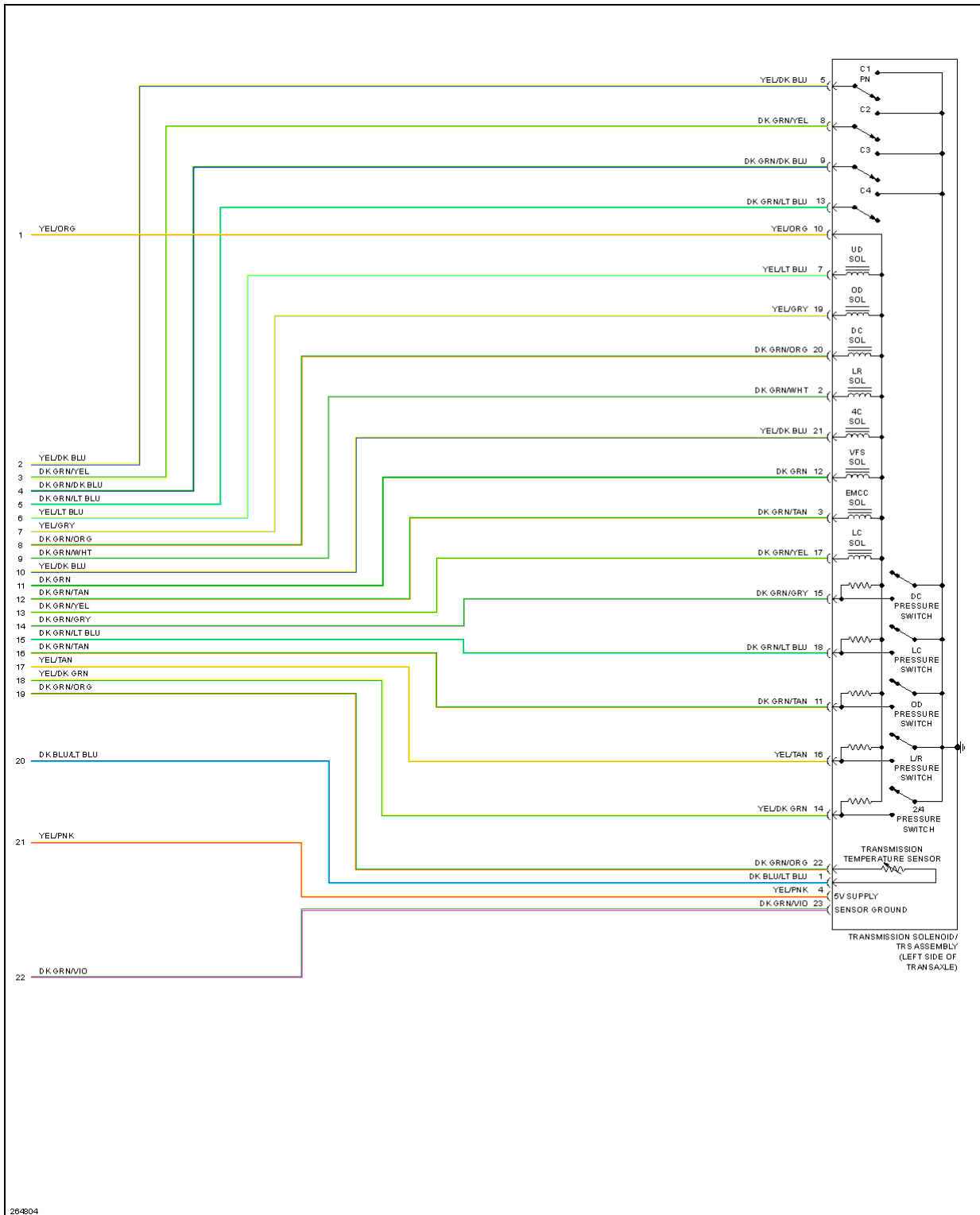
## 2007 SYSTEM WIRING DIAGRAMS Chrysler - Sebring 4D Sedan



**Fig. 75: 2.7L Flex Fuel, A/T Circuit, 62TE (1 of 2)**

# 2007 Chrysler Sebring Limited

## 2007 SYSTEM WIRING DIAGRAMS Chrysler - Sebring 4D Sedan



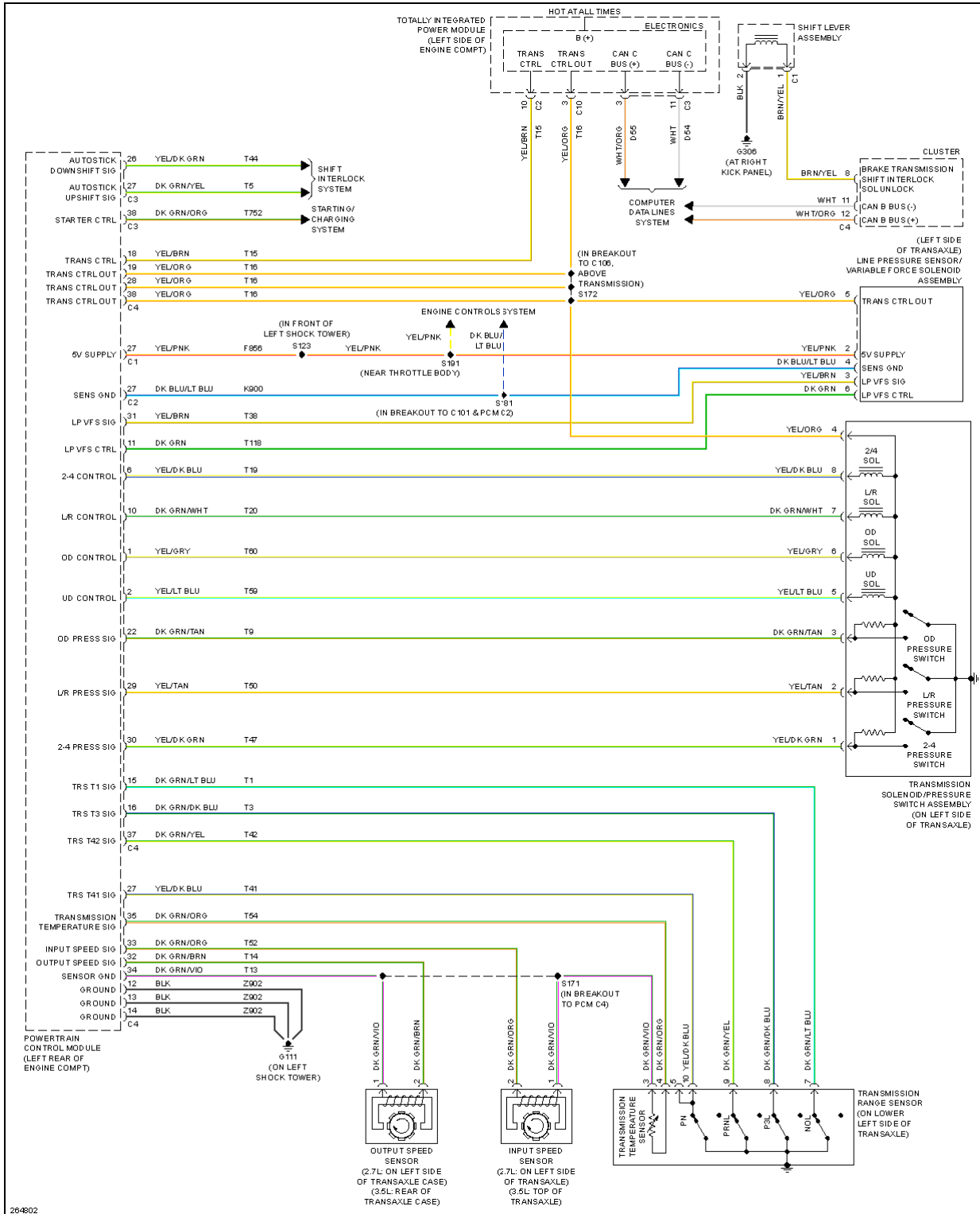


**Fig. 76: 2.7L Flex Fuel, A/T Circuit, 62TE (2 of 2)**

**3.5L**

# 2007 Chrysler Sebring Limited

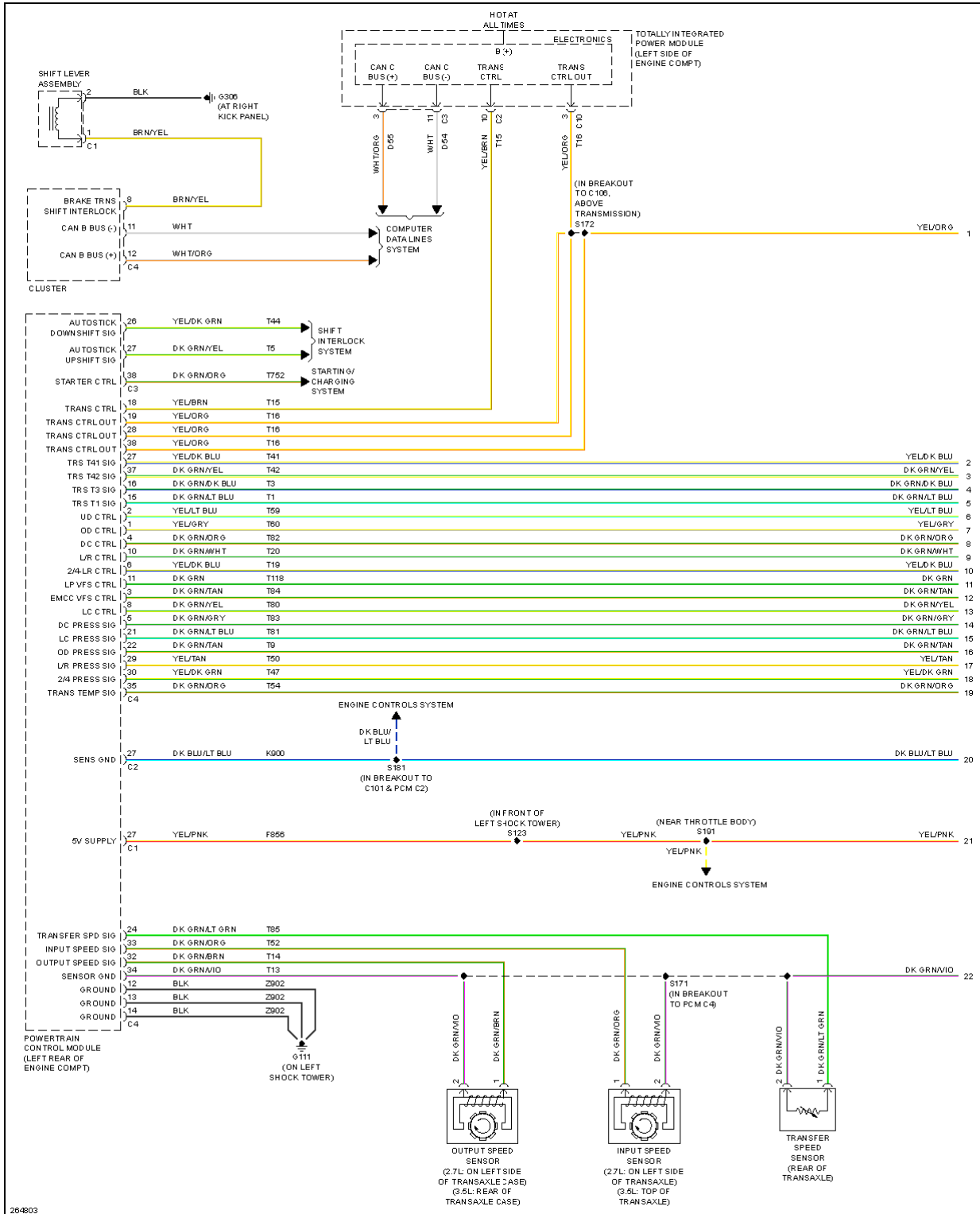
## 2007 SYSTEM WIRING DIAGRAMS Chrysler - Sebring 4D Sedan



**Fig. 77: 3.5L, A/T Circuit, 40/41TE**

# 2007 Chrysler Sebring Limited

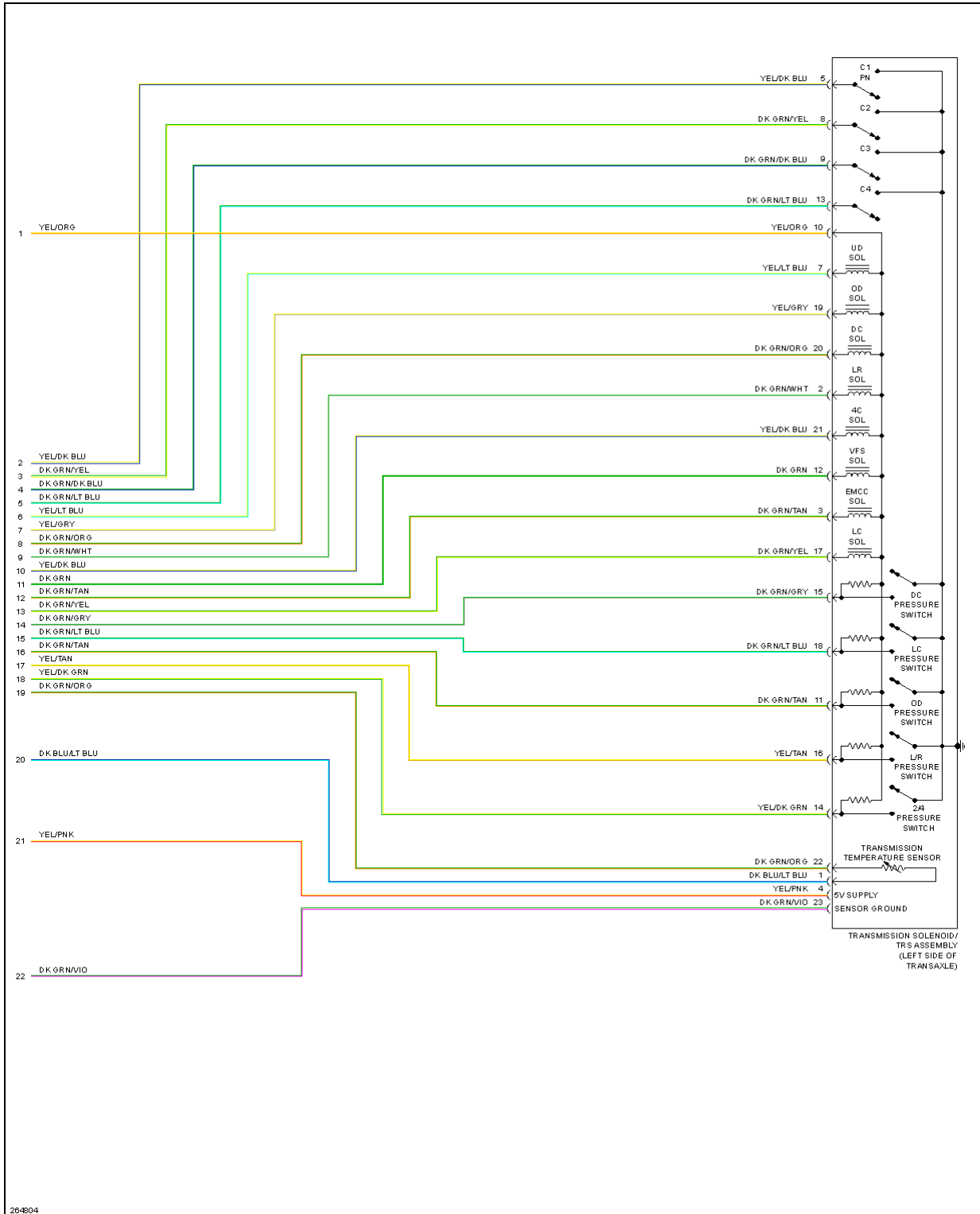
## 2007 SYSTEM WIRING DIAGRAMS Chrysler - Sebring 4D Sedan



**Fig. 78: 3.5L, A/T Circuit, 62TE (1 of 2)**

# 2007 Chrysler Sebring Limited

## 2007 SYSTEM WIRING DIAGRAMS Chrysler - Sebring 4D Sedan

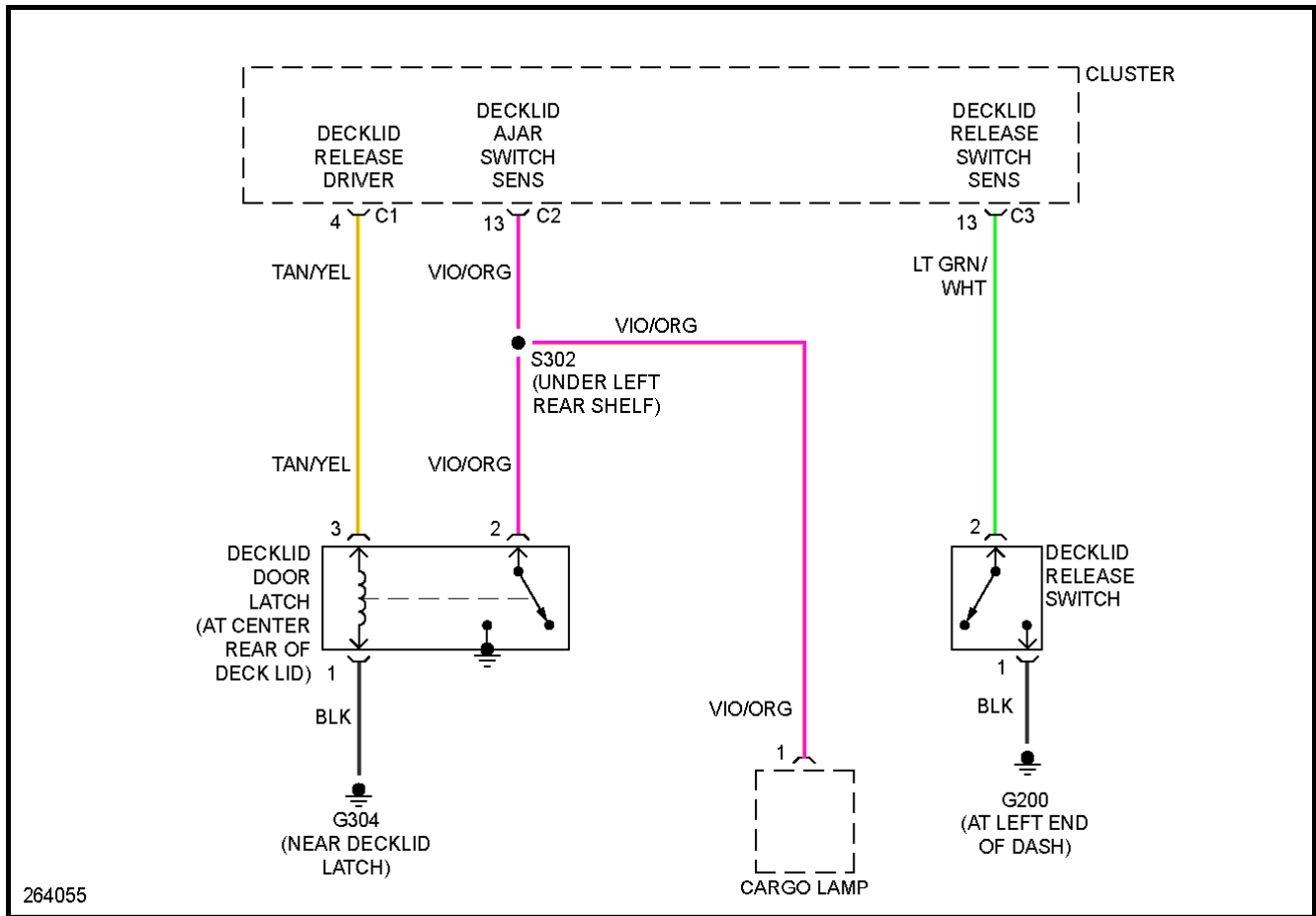


**Fig. 79: 3.5L, A/T Circuit, 62TE (2 of 2)**

**TRUNK, TAILGATE, FUEL DOOR**

# 2007 Chrysler Sebring Limited

## 2007 SYSTEM WIRING DIAGRAMS Chrysler - Sebring 4D Sedan



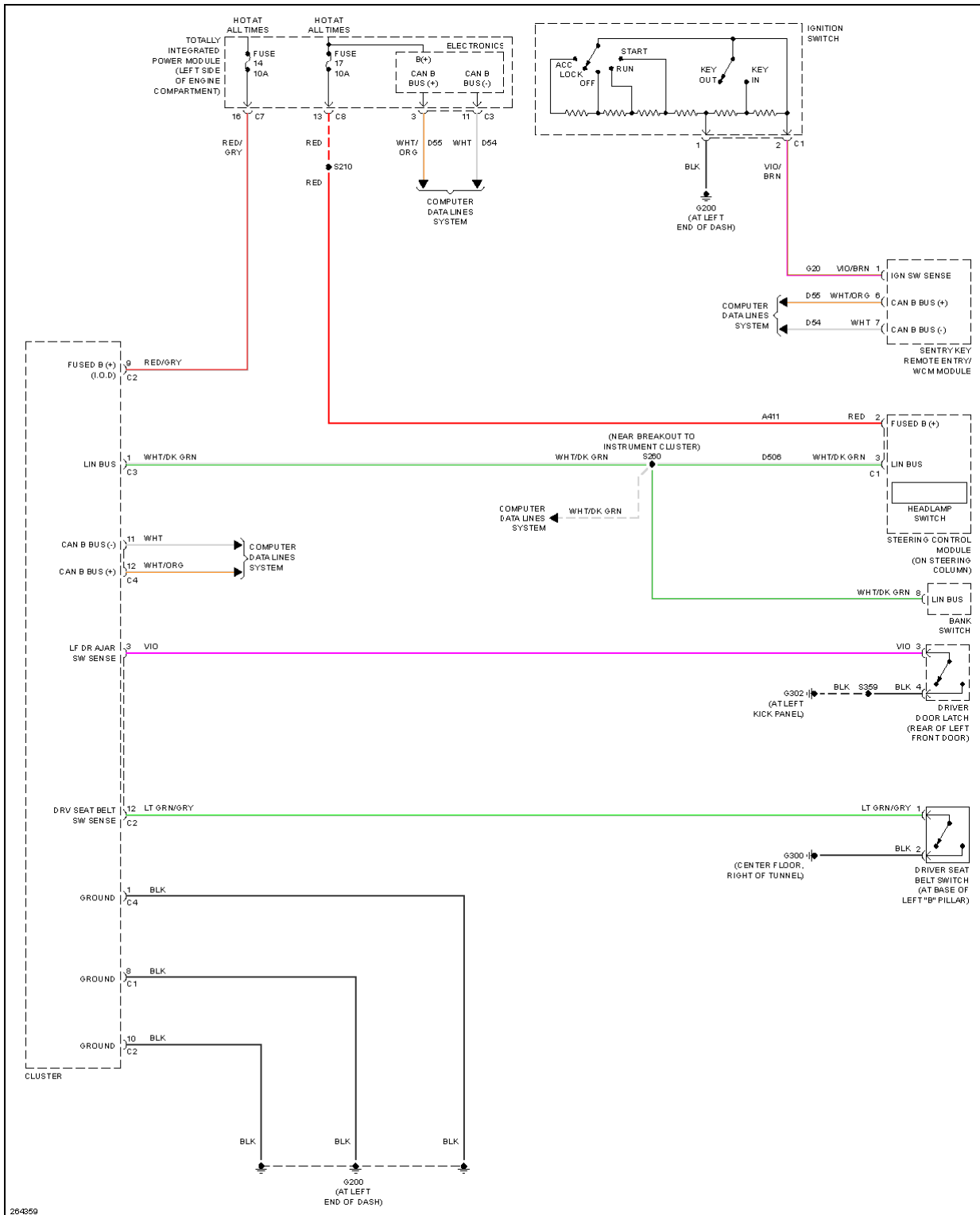


**Fig. 80: Deck Lid Release Circuit**

**WARNING SYSTEMS**

# 2007 Chrysler Sebring Limited

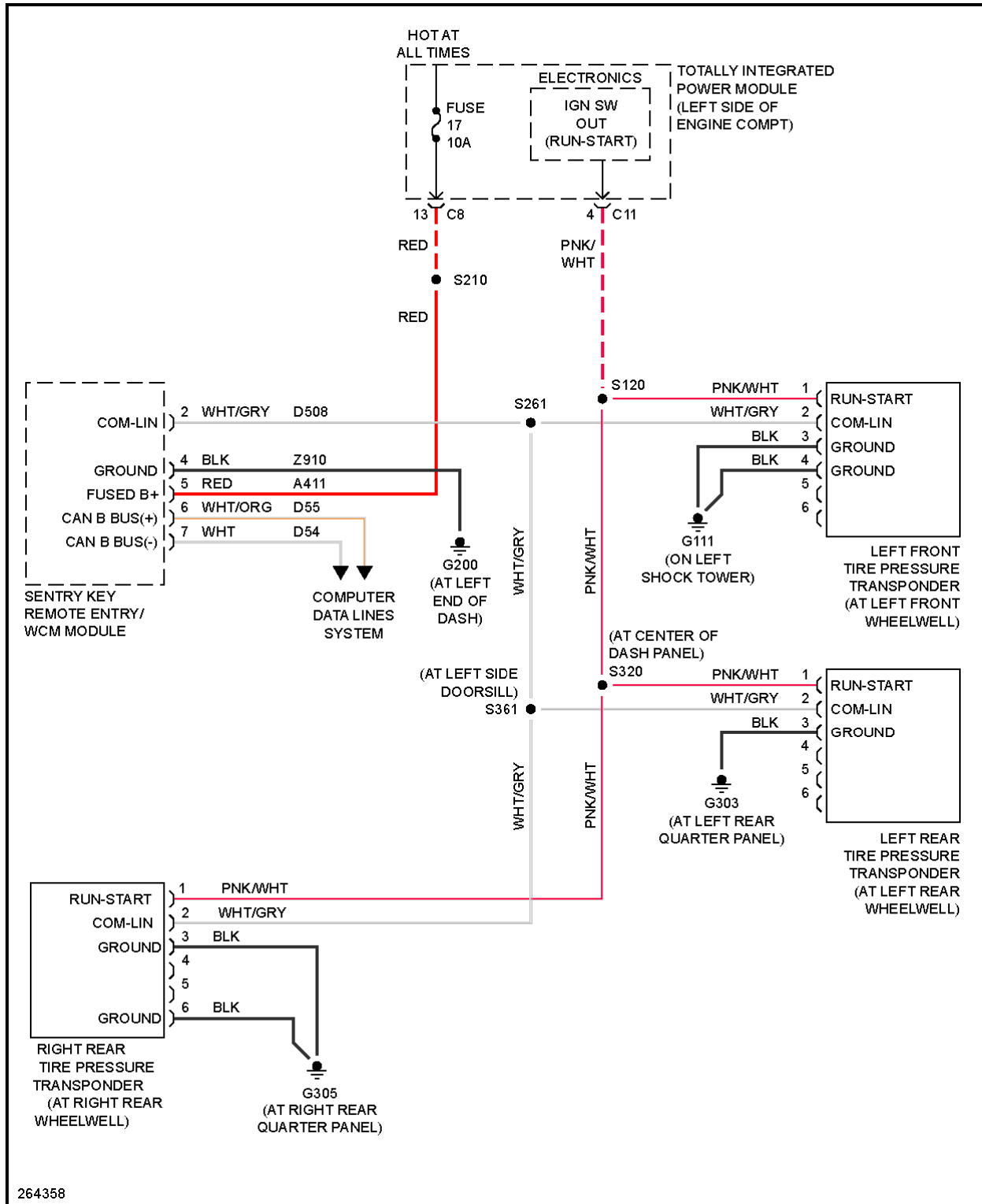
## 2007 SYSTEM WIRING DIAGRAMS Chrysler - Sebring 4D Sedan



**Fig. 81: Chime Circuit**

# 2007 Chrysler Sebring Limited

## 2007 SYSTEM WIRING DIAGRAMS Chrysler - Sebring 4D Sedan

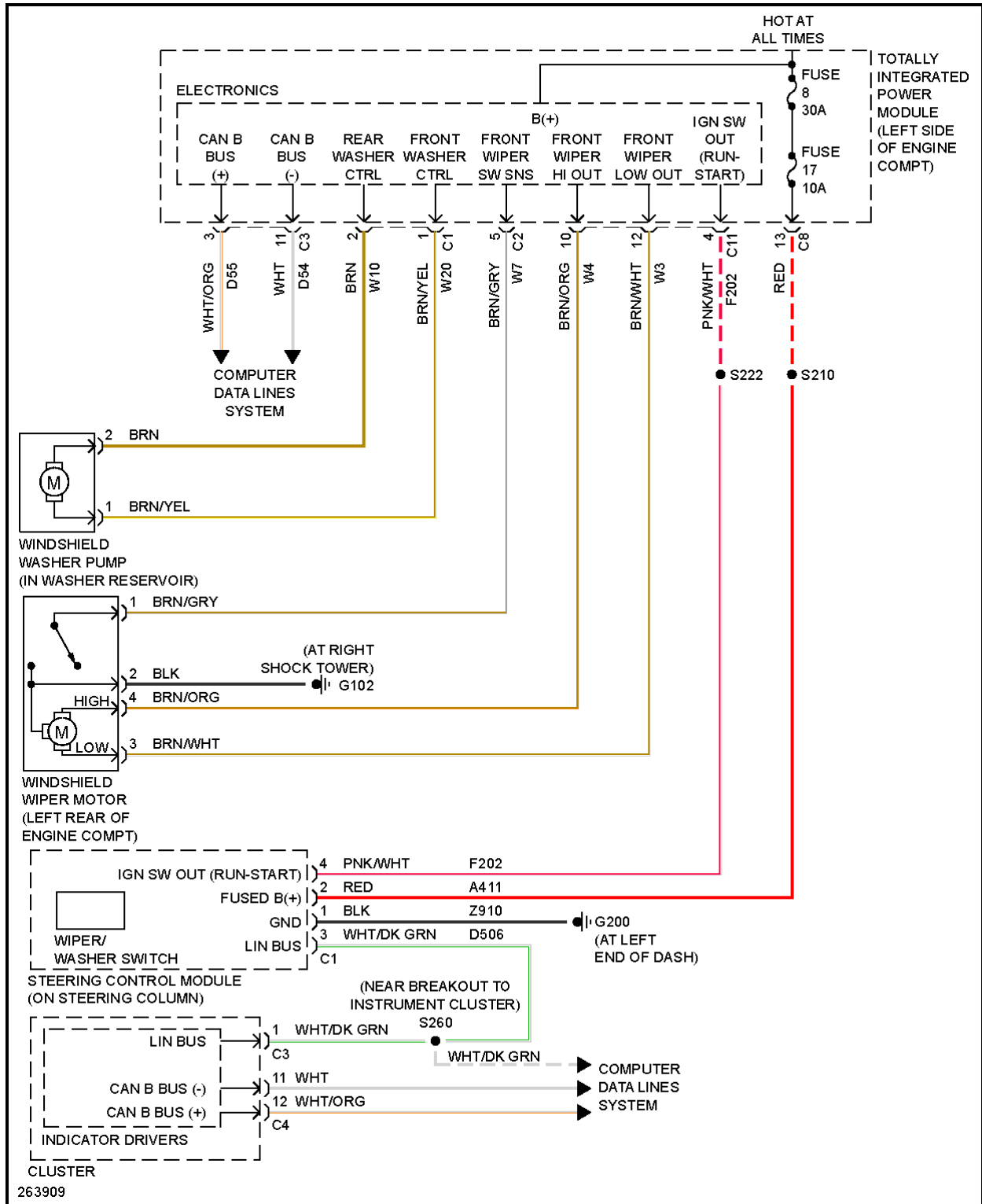


**Fig. 82: Tire Pressure Monitoring Circuit**

**WIPER/WASHER**

# 2007 Chrysler Sebring Limited

## 2007 SYSTEM WIRING DIAGRAMS Chrysler - Sebring 4D Sedan



**Fig. 83: Wiper/Washer Circuit**