

- Three-phase full voltage starters with open air contacts
- Solid-state overload relay
- Combination type
- Type 3R rainproof enclosure
- Includes Hand-Off-Auto Sel. Sw. & Start PB
- UL listed file #E185287
- Rated as service entrance equipment

Combination Type with Fusible Disconnect

Max Hp Rating				NEMA Size (1/2 Size)	Overload Relay Amp Range	Disc. Amp Rating	Fuse Clip Amp/Volts	Catalog Number
Motor Voltage								
200	230	460	575					
—	—	1	1	1	0.75-3.4	30	30A/600V	87DUB6FC
—	—	5	5	1	3-12	30	30A/600V	87DUC6FC
—	—	10	10	1	5.5-22	30	30A/600V	87DUD6FC
—	—	10	10	1	5.5-22	60	60A/600V	87DUD60C
—	—	15	15	(1 3/4)	10-40	30	30A/600V	87EUE6FC
—	—	15	15	(1 3/4)	10-40	60	60A/600V	87EUE60C
—	—	25	25	2	13-52	60	60A/600V	87FUF6FC
—	—	25	25	2	13-52	100	100A/600V	87FUF60C
—	—	30	30	(2 1/2)	25-100	60	60A/600V	87GUG6FC
—	—	30	30	(2 1/2)	25-100	100	100A/600V	87GUG60C
—	—	50	50	3	25-100	100	100A/600V	87HUG6FC
—	—	50	50	3	25-100	200	200A/600V	87HUG60C
—	—	75	75	(3 1/2)	50-200	200	200A/600V	87IUH6FC
—	—	100	100	4	50-200	200	200A/600V	87JUH6FC
—	—	200	200	5 [A]	55-250	400	400A/600V	87LPU6FH
—	—	250	—	6 [A]	160-630	600	600A/600V	87MSW6FH
2	2	—	—	1	3-12	30	30A/250V	87DUC6LC
3	3	—	—	1	5.5-22	30	30A/250V	87DUD6LC
7 1/2	7 1/2	—	—	1	10-40	30	30A/250V	87DUE6LC
7 1/2	7 1/2	—	—	1	10-40	60	60A/250V	87DUE6PC
10	10	—	—	(1 3/4)	10-40	60	60A/250V	87EUE6LC
10	15	—	—	2	13-52	60	60A/250V	87FUF6LC
10	15	—	—	2	13-52	100	100A/250V	87FUF6PC
15	20	—	—	(2 1/2)	25-100	60	60A/250V	87GUG6LC
15	20	—	—	(2 1/2)	25-100	100	100A/250V	87GUG6PC
20	30	—	—	3	25-100	100	100A/250V	87HUG6LC
25	30	—	—	3	25-100	200	200A/250V	87HUG6PC
30	40	—	—	(3 1/2)	50-200	200	200A/250V	87IUH6LC
40	50	—	—	4	50-200	200	200A/250V	87JUH6LC
75	100	—	—	5 [A]	55-250	400	400A/250V	87LPU6LG

Coil Table

60Hz Voltage	Letter
24 Separate Control	J
120 Separate Control	F
110-120/220-240	A
200-208	D
220-240	G
277	L
220-240/440-480	C
440-480	H
575-600	E

Note: Sizes 1 - 4 are supplied standard with a 240/480V coil. Sizes 5 & 6 are supplied standard with a 480V coil. To change the coil voltage, change the 8th character in the catalog number with a letter shown in the coil table.

[A] Dual voltage coils not available in sizes 5 & 6 starters.

Max Hp Rating				NEMA Size (1/2 Size)	Overload Relay Amp Range	MCP Amp Rating	Catalog Number
Motor Voltage							
200	230	460	575				
1/2	1/2	1	1	1	0.75-3.4	3	87DUB6MC
2	2	5	5	1	3-12	10	87DUC6MC
3	3	10	10	1	5.5-22	25	87DUD6MC
7 1/2	7 1/2	10	—	1	10-40	30	87DUE6MC
—	—	15	15	(1 3/4)	10-40	40	87EUE6MC
10	15	25	25	2	13-52	50	87FUF6MC
15	20	30	30	(2 1/2)	25-100	100	87GUG6MC
25	30	50	50	3	25-100	100	87HUG6MC
30	40	75	75	(3 1/2)	50-200	125	87IUH6MC
40	50	100	100	4	50-200	150	87JUH6MC
50	75	150	200	5 [A]	55-250	250	87LPT6MH
75	100	200	200	5 [A]	55-250	400	87LPU6MH
100	125	250	300	6 [A]	160-630	400	87MSW6MH
150	200	400	400	6 [A]	160-630	600	87MSX6MH

Note: Sizes 1 - 4 are supplied standard with a 240/480V coil. Sizes 5 & 6 are supplied standard with a 480V coil. To change the coil voltage, change the 8th character in the catalog number with a letter shown in the coil table.

[A] Dual votage coils not available in sizes 5 & 6 starters.

Dimensional Drawings

Figure 1

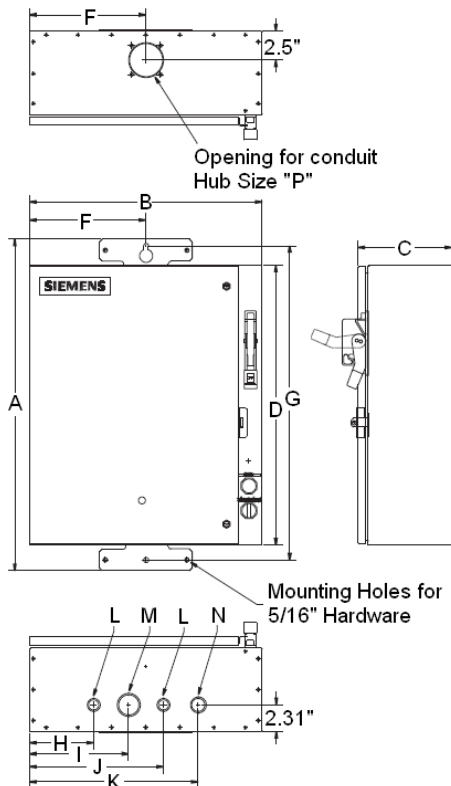
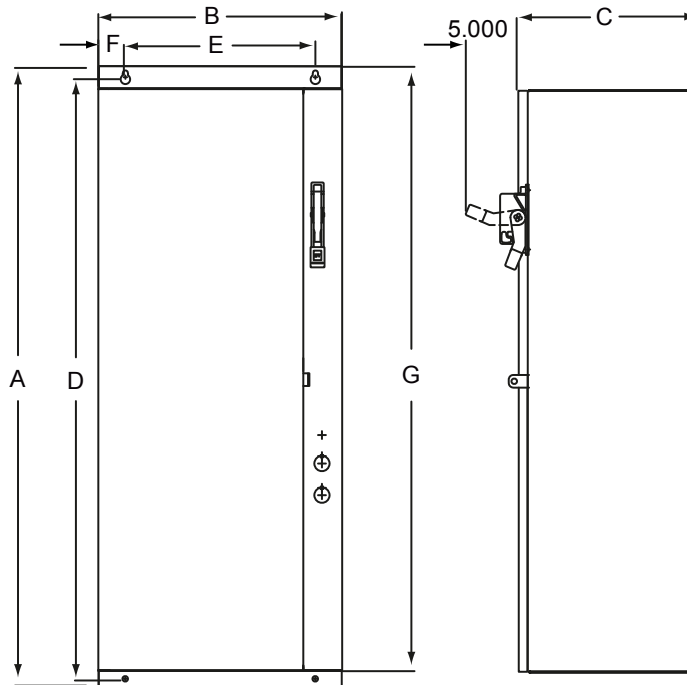
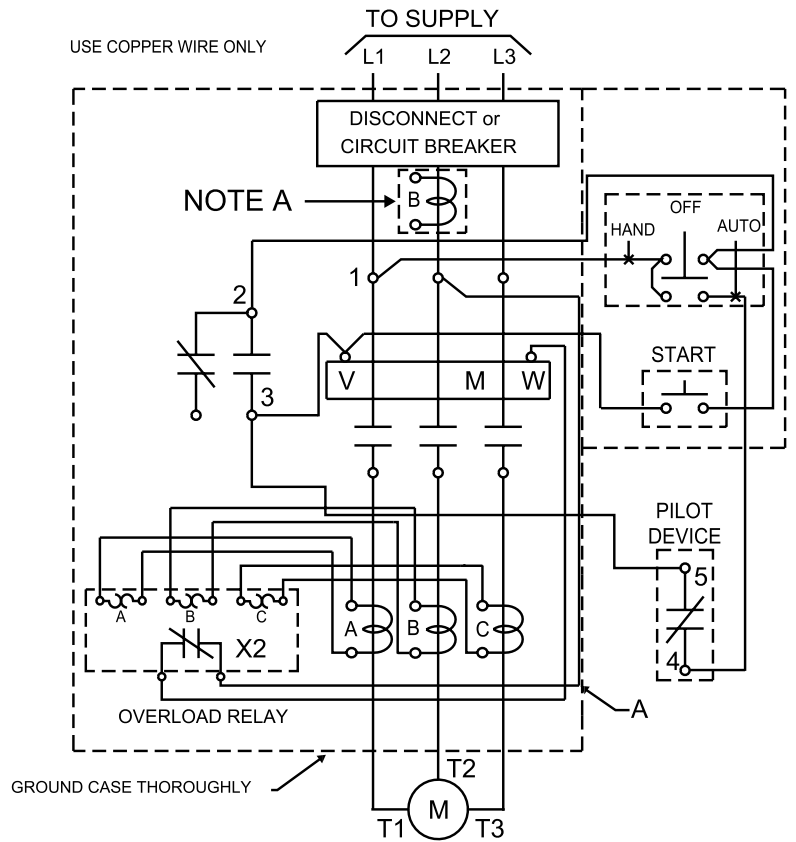
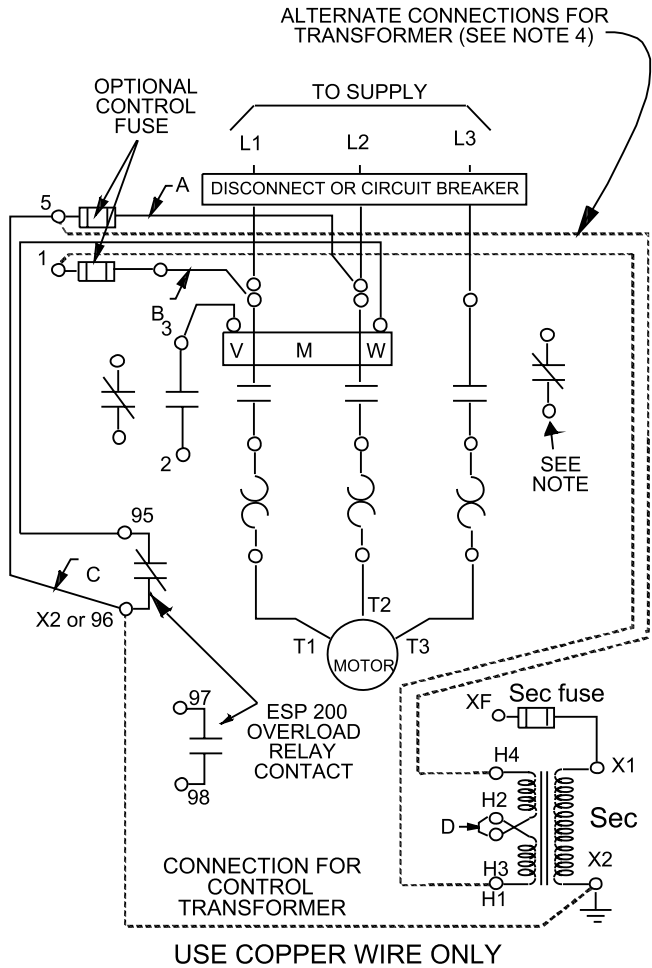


Figure 2



Size	Fig.	Outline Dimensions			Mounting Dimensions							Conduit Knockout			Hub	
		A	B	C	D	E	F	G	H	I	J	K	L	M	N	P
1-2 1/2	1	28.50	20.00	8.06	24.00	—	10.00	27.00	5.50	8.50	11.50	—	0.5-0.75	1.25-1	0.75-1	1.50
3 - 4	1	40.50	24.00	8.09	36.00	—	12.00	39.00	8.44	11.94	15.44	—	1.97-2.47	0.88-1.13	—	2.50
5	2	72.16	20.00	10.00	71.00	16.00	2.13	70.91	—	—	—	—	—	—	—	—
6	2	79.13	22.00	12.94	78.00	18.00	2.13	77.88	—	—	—	—	—	—	—	—

Dimensions are in inches.
All enclosures are Type 3R.



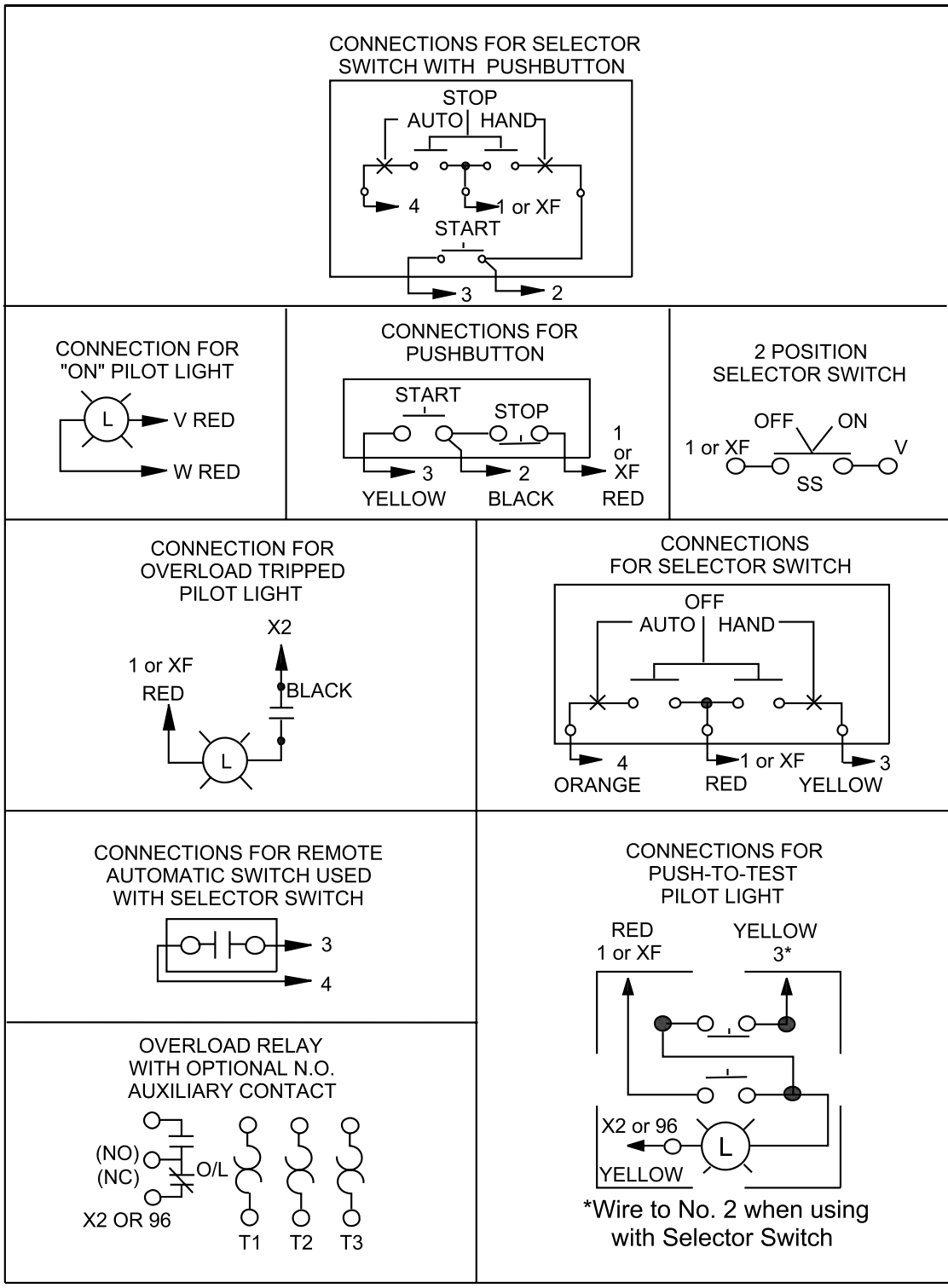
WIRING NOTES

A- "B" CT IS LOCATED ON LINE SIDE OF CONTACTOR FOR SIZE 7 STARTERS ONLY.

1. FOR SEPARATE CONTROL VOLTAGE SOURCE REMOVE JUMPER "A" AND CONTROL WIRES IF PRESENT FROM "1" ON STARTER CONNECT SOURCE TO "X2" ON OVERLOAD RELAY AND TO "1" ON CONTROL DEVICES.

NOTES:

1. A max. of 8 extra unwired NO or 4 extra NC interlocks may be supplied as required.
2. Transformer connections shown are for higher primary voltage. For lower voltage remove jumper "D" and connect "H1" to "H3" and "H2" to "H4" on transformer. For connections other than shown, see transformer nameplate.
3. For separate control voltage source remove jumpers "A" and "B" and connect source to control fuse line terminals.
4. When field adding a transformer or changing to a separate source, check coil voltage for compatibility and change coil or reconnect jumpers if necessary.



Accessories

Description	Catalog No.
Red On Pilot Light 24VAC	49SPL0BRJ
Red On Pilot Light 120VAC	49SPL0BRF
Red On Pilot Light 240VAC	49SPL0BRG
Red On Pilot Light 480VAC	49SPL0BRH
Green Off* Pilot Light 24VAC	49SPL0AGJ
Green Off* Pilot Light 120VAC	49SPL0AGF
Green Off* Pilot Light 240VAC	49SPL0AGG
Green Off* Pilot Light 480VAC	49SPL0AGH
CPT 45VA 240/480:24VAC	KT4050
CPT 45VA 240/480:120VAC	KT8050
CPT 50VA 240/480:24VAC	KT4050P
CPT 50VA 240/480:120VAC	KT8050P
CPT 100VA 240/480:24VAC	KT4100
CPT 100VA 240/480:120VAC	KT8100
1 NO Aux Contact for Starter Sizes 00 - 4	49AB10
1 NC Aux Contact for Starter Sizes 00 - 4	49AB01
1 NO & 1 NC Aux Contact for Starter Sizes 00 - 4	49AB11

* Includes NC aux contact for starter sizes 0-4.

Short Circuit Current Ratings

Fuses

Size	Class H or K 600V Max	Class R or J 600V Max
00 - 4	10kA	100kA
5 & 6	10kA	100kA
7 & 8	NA	NA

Thermal Magnetic Circuit Breaker

Size	480V Max	600V Max
00 - 4	100kA	25kA
5 & 6	100kA	42kA
7 & 8	NA	NA