



PARTS CATALOG

GL1800'05
GOLD WING

GL1800A'05
GOLD WING

SEPTEMBER, 2004

American Honda Motor Co., Inc.

14MCA501M (Fiche Version)

TABLE OF CONTENTS

Introduction

Grid / Page

- HOW TO USE THIS CATALOG A2 4
- LOCATION OF SERIAL NUMBER A2 5
- SERIAL NUMBERS A3 7
- CONSTRUCTION OF VEHICLE IDENTIFICATION
NUMBER A4 8
- COLOR TABLE A4 9
- BULK HOSE PART NUMBER PATTERN..... A7 15
- MASTER INDEX A8 16

Part Groups

- ENGINE SECTION 1-C1 1-1
- FRAME SECTION..... 1-E1 2-1

Index

- PART NUMBER INDEX B1 3-1
- DESCRIPTION INDEX 1-I1 4-1

HOW TO USE THIS CATALOG

This parts catalog is to be used when ordering replacement parts for the model (s) specified on the microfiche strip.

CATALOG PAGE BREAKDOWN (Generic layout-sample data only)

4= MODEL 5= MODEL 6= MODEL 7= MODEL		E-1							
④				Engine Serial Number					
Ref.	Description	MODEL-ID	From	To	AREA	ORG	QTY	Part Number	H/C
1	COVER SET, CYLINDER HEAD	4	15240057	-----	AC	JPN	1	12310-PE2-020	2031797
	COVER SET, CYLINDER HEAD		-----	12234811	A	USA	1	12310-PE2-030	2210888
①	②	③	⑤	⑥	⑦	⑧	⑨	⑩	

KEY TO CATALOG PAGE BREAKDOWN

1. **Ref.** - Reference numbers correspond to the reference numbers on the illustrations. All illustrations are representative only and do not necessarily correspond exactly to the actual part. "NI" signifies the part is not illustrated.

2. **Description*** - Describes the part for the related part number.

Abbreviations:

ASSY.	- Assembly	V	- Volt
COMP.	- Complete	W	- Watt
L(100L)	- Link(100Links)	A.C.	- Alternating Current
R.	- Right	D.C.	- Direct Current
L.	- Left	KPH	- Kilometers Per Hour
IN.	- Inlet	MPH	- Miles Per Hour
EX.	- Exhaust	A.M.	- Attaching Mark
FR.	- Front	T.M.	- Transcript Mark
RR.	- Rear	A	- Ampere
HEX.	- Hexagonal	WL	- With Labeling
STD.	- Standard	WOL	- Without Labeling
MM	- Millimeter	T (22T)	- Tooth
G	- Gram	C.D.I.	- Capacitive Discharge Ignition

3. **MODEL-ID*** - Model indicator code is unique per catalog (not consistent with other catalogs).

4. Each catalog will be represented with applicable model indicators and models.

5. **Serial Number** - Applies to Engine or Frame serial numbers depending on the section. The serial numbers of the vehicle (frame, engine, carburetor) should be checked prior to ordering parts for a specific unit. In cases where a part has been modified, the serial number of the vehicle bearing the modification is listed in the 'SERIAL NUMBER' column. The modification parts are controlled by each pertinent serial number below.

Engine serial number - Engine group parts (Block numbers beginning with 'E').

Carburetor identification number - Carburetor component parts.

Frame serial number - Frame group parts (Block numbers beginning with 'F').

A serial number chart and serial number locations are provided.

Note - Some models may be controlled by one serial number only.

6. **AREA*** - Applicable area code type is defined in the serial number chart.

7. **ORG*** - Manufacturing origin of the unit.

8. **QTY** - Quantity required per unit as specified.

A. "AR" in place of the quantity indicates AS REQUIRED.

B. "(" Parentheses in the quantity required indicate "optional".

9. **Part Number** - Part number corresponds to the reference number and application. Several part numbers may be listed under one (1) reference number. For your convenience the current supersede chain, as of print date, has been listed. Supersede chains are subject to change without notice.

10. **H/C** - The Honda Code and Part Number share a 1 to 1 relationship.

MAKE-UP OF PART NUMBERS

All parts are classified into two groups consisting of "GENERAL PARTS" and "STANDARD PARTS". All parts are numbered in accordance with the system described below:

General Parts

Example: Driver Seat Assembly Part No.	77400-634-671ZA
Function No.	77
Component No.	400
Model Code No.	-634-
Modification Process Design	671
Color Code**	ZA

A. Additional Information - The section index located at the bottom of each microfiche grid lists section titles. The Engine and Frame sections have separate section indexes.

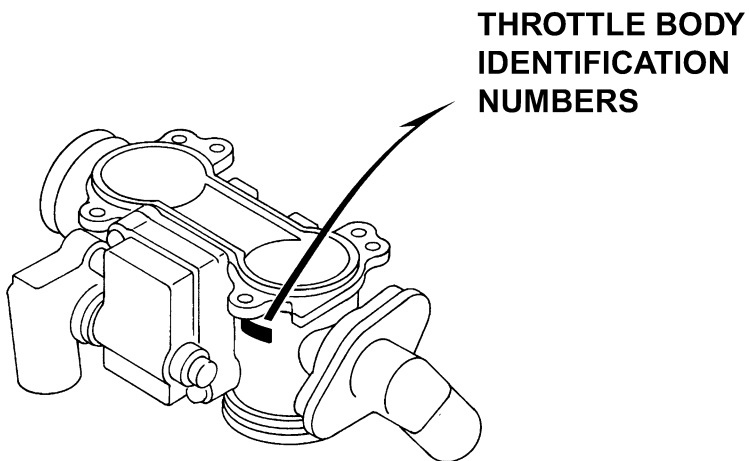
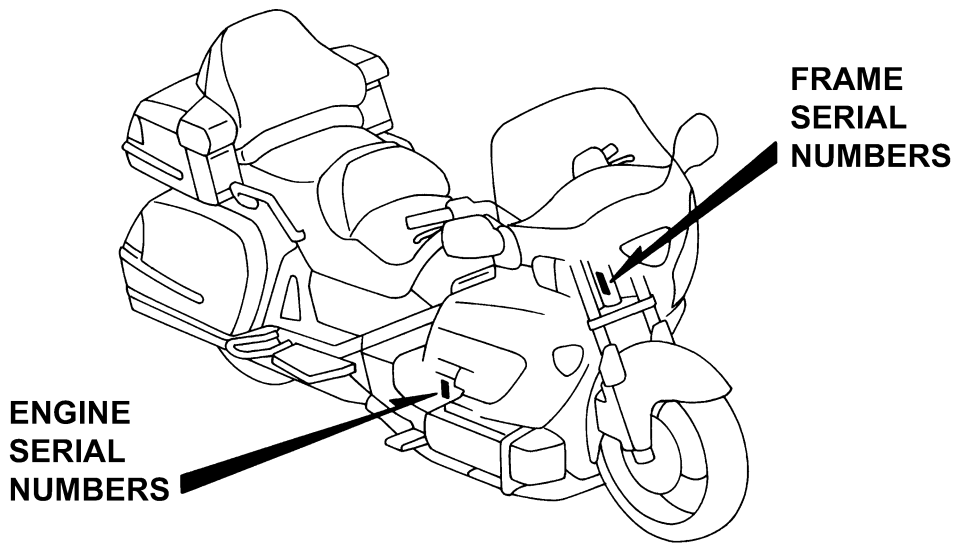
Note:

1. Rear view mirrors are standard equipment on all street legal models.

*When columns become full, additional data is displayed on a second line.

**The color code at the end of a part number indicates a color. Color codes such as ZA, ZB, ZC . . . , except ZZ, do not indicate the actual color. Actual colors are represented in code, between asterisks in the part description.

LOCATION OF SERIAL NUMBER

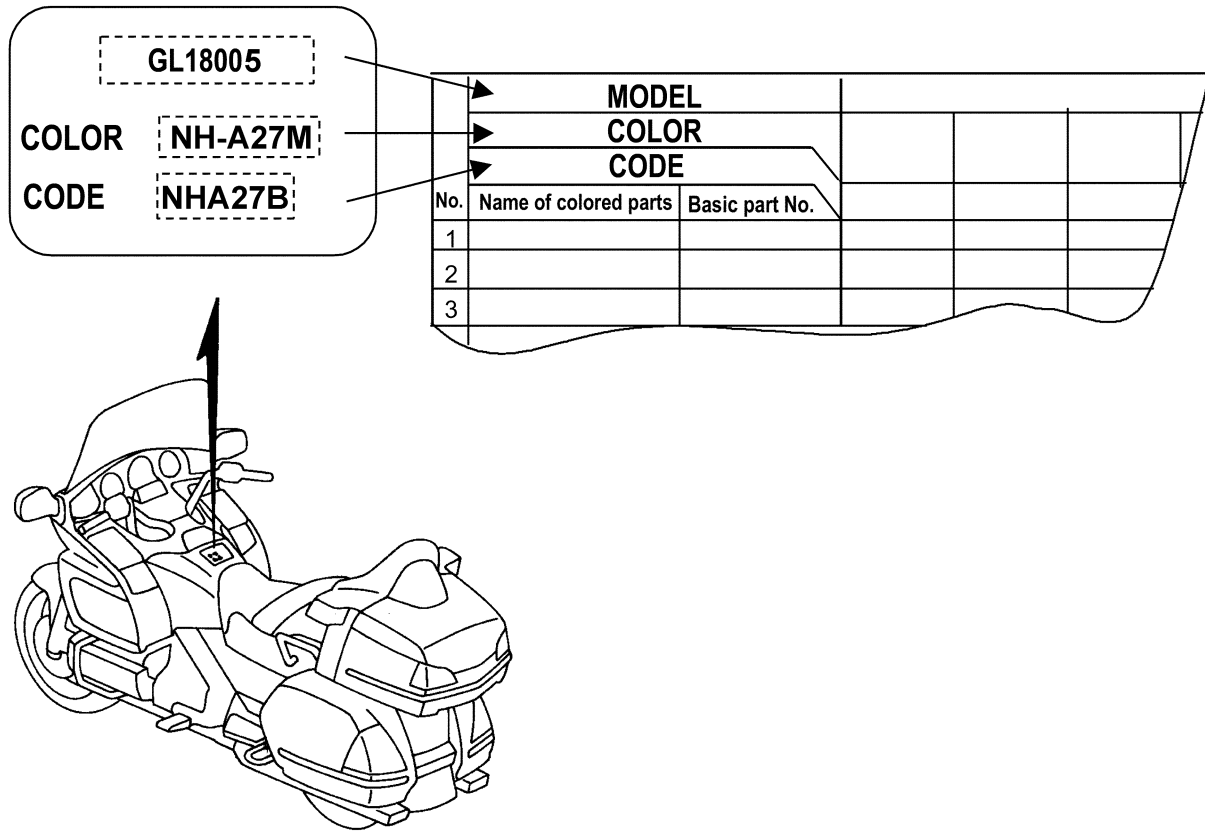


LOCATION OF SERIAL NUMBER

INSTRUCTION OF COLOR LABEL

Color Label

When ordering parts, check the model name, main color and by code observing the color label on the vehicle.
When ordering a colored part, use the Color Chart in the INSTRUCTION FOR USE OF PARTS CATALOG.



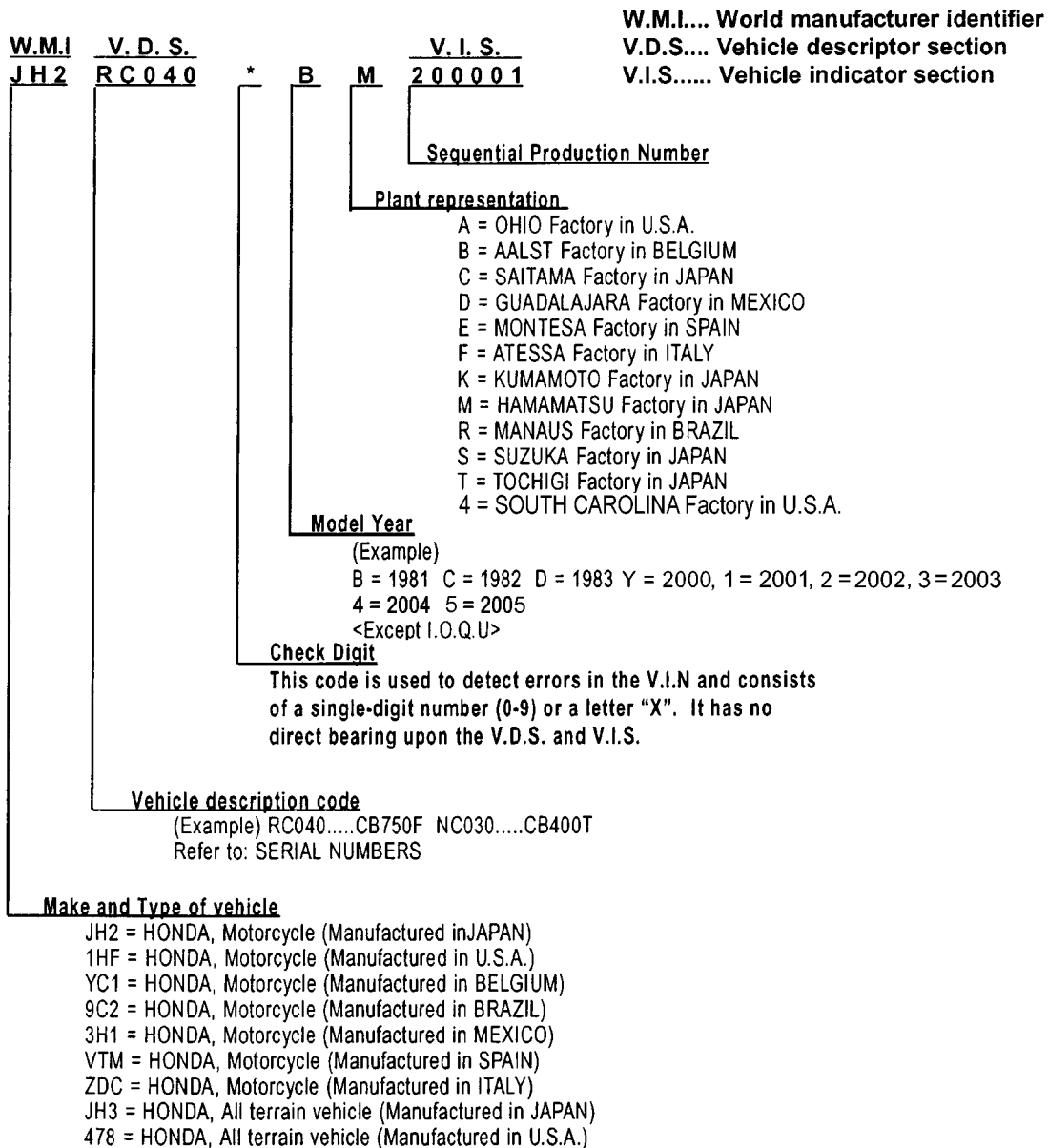
SERIAL NUMBERS

Models and applicable serial numbers

Models and applicable serial numbers given in this parts catalog can be identified as follows.

Model	Area Code	Engine Serial No.	Frame Serial No.	Carburetor Serial No.
GL1800'05	A	SC47E-2400001~	1HFSC470*5A400001~	GQ61A A
GL1800A'05	A	SC47E-2400001~	1HFSC474*5A400001~	GQ61A A

CONSTRUCTION OF VEHICLE IDENTIFICATION NUMBER



Any change or modification of parts is directly related to the V.D.S. and V.I.S.
 A V.I.S. number will appear in the "Serial No." column of the Parts Catalog if a part is changed or modified.

COMMENT:

This example is generic and applies to 1981 and newer vehicles. 1980 models and prior are referred to as "FRAME NUMBERS" and the construction is designed by using the model designation or code followed by a sequential number.

COLOR TABLE

When ordering a colored part:

1. Confirm the color code for the required part from the color table according to the part name and color type.
2. Select the corresponding part number from the appropriate PAGE/GRID.
3. Parts marked "X" are unused.
4. "*" = Basic Part Number, no extension (i.e. ZA, ZB).

GL1800'05 2005

No.	DESCRIPTION	COLOR CODE	NHA27B	NHA29	NHA45	PB356	R287	Y130B	A R E A
		BASE COLOR	Billet silver metallic NHA27M	Arctic white NHA29	Portland gray metallic NHA45M	Nova blue metallic PB356M	Bloodstone red metallic R287M	Pearl hot rod yellow Y130P	
		BASIC PART NO.							
1	BODY, L. SADDLEBAG	81411-MCA-000	ZR	ZQ	ZU	ZT	ZM	ZD	
2	BODY, R. SADDLEBAG	81211-MCA-000	ZR	ZQ	ZU	ZT	ZM	ZD	
3	BOX, TRUNK	81111-MCA-000	ZR	ZQ	ZU	ZT	ZM	ZD	
4	CLIP, PANEL FIXING	91549-MW0-790	ZA	ZA	ZA	ZA	ZA	ZA	
5	COVER B, L. ARMREST	82430-MCA-000	ZA	ZA	ZA	ZA	ZA	ZA	
6	COVER B, R. ARMREST	82330-MCA-000	ZA	ZA	ZA	ZA	ZA	ZA	
7	COVER SET, L. SIDE	83700-MCA-000	ZR	ZQ	ZU	ZT	ZM	ZD	
8	COVER SET, R. SIDE	83600-MCA-000	ZR	ZQ	ZU	ZT	ZM	ZD	
9	COVER, L. PILLION STEP (LOWER)	50817-MCA-000	ZA	ZA	ZA	ZA	ZA	ZA	
10	COVER, L. PILLION STEP HOLDER	50741-MCA-000	ZA	ZA	ZA	ZA	ZA	ZA	
11	COVER, L. PIVOT PLATE	50415-MCA-000	ZA	ZA	ZA	ZA	ZA	ZA	
12	COVER, R. PILLION STEP (LOWER)	50717-MCA-000	ZA	ZA	ZA	ZA	ZA	ZA	
13	COVER, R. PILLION STEP HOLDER	50740-MCA-000	ZA	ZA	ZA	ZA	ZA	ZA	
14	COVER, R. PIVOT PLATE	50410-MCA-000	ZA	ZA	ZA	ZA	ZA	ZA	
15	COVER, TRUNK (LOWER)	81141-MCA-000	ZR	ZQ	ZU	ZT	ZM	ZD	
16	COVER, WELD BEAD	83613-MCA-000	ZB	ZB	ZB	ZB	ZB	ZB	
17	COVER, WELD BEAD	83713-MCA-000	ZB	ZB	ZB	ZB	ZB	ZB	
18	COWL, CENTER (INNER)	64501-MCA-000	ZA	ZA	ZA	ZA	ZA	ZA	
19	COWL, FR. (LOWER)	64302-MCA-000	ZA	ZA	ZA	ZA	ZA	ZA	
20	COWL, FR. CENTER	64216-MCA-000	ZR	ZQ	ZU	ZT	ZM	ZD	
21	COWL, L. (INNER)	64503-MCA-000	ZR	ZQ	ZU	ZT	ZM	ZD	
22	COWL, L. SIDE	64292-MCA-000	ZR	ZQ	ZU	ZT	ZM	ZD	
23	COWL, R. (INNER)	64502-MCA-000	ZR	ZQ	ZU	ZT	ZM	ZD	
24	COWL, R. SIDE	64282-MCA-000	ZR	ZQ	ZU	ZT	ZM	ZD	
25	CUSHION, L. ARMREST	82440-MCA-000	ZA	ZA	ZA	ZA	ZA	ZA	
26	CUSHION, R. ARMREST	82340-MCA-000	ZA	ZA	ZA	ZA	ZA	ZA	
27	EMBLEM, FR. GARNISH	64180-MCA-A40	ZA	ZC	ZE	ZD	ZB	ZF	
28	EMBLEM, KEY	35113-MCA-A41	ZA	ZC	ZE	ZD	ZB	ZF	
29	EMBLEM, RR. TRUNK	81127-MCA-A40	ZA	ZC	ZE	ZD	ZB	ZF	
30	EMBLEM, RR. TRUNK	87111-MCA-A40	ZA	ZC	ZE	ZD	ZB	ZF	
31	FENDER A, FR.	61101-MCA-000	ZR	ZQ	ZU	ZT	ZM	ZD	
32	FENDER A, RR.	80100-MCA-000	ZR	ZQ	ZU	ZT	ZM	ZD	
33	FENDER B, FR.	61103-MCA-000	ZR	ZQ	ZU	ZT	ZM	ZD	
34	FRAME	50100-MCA-020	ZA	ZA	ZA	ZA	ZA	ZA	
35	GARNISH SET, SCREEN (WL)	64120-MCA-A40	ZG	ZJ	ZN	ZK	ZH	ZM	

COLOR TABLE

GL1800'05 2005

No.	DESCRIPTION	COLOR CODE	NHA27B	NHA29	NHA45	PB356	R287	Y130B	A R E A
		BASE COLOR	Billet silver metallic NHA27M	Arctic white NHA29	Portland gray metallic NHA45M	Nova blue metallic PB356M	Bloodstone red metallic R287M	Pearl hot rod yellow Y130P	
		BASIC PART NO.							
36	GRIP, L. PASSENGER	84155-MCA-000	ZA	ZA	ZA	ZA	ZA	ZA	
37	GRIP, R. PASSENGER	84150-MCA-000	ZA	ZA	ZA	ZA	ZA	ZA	
38	HOUSING, L.	88122-MCA-000	ZK	ZA	ZP	ZM	ZE	ZN	
39	HOUSING, R.	88112-MCA-000	ZK	ZA	ZP	ZM	ZE	ZN	
40	KEY, BLANK	35121-MCA-A40	ZA	ZC	ZE	ZD	ZB	ZF	
41	LABEL, COLOR	87565-MCA-A40	ZA	ZC	ZE	ZD	ZB	ZF	
42	LID SET, TRUNK (WL)	81125-MCA-A40	ZG	ZJ	ZN	ZK	ZH	ZM	
43	LID, L. SADDLEBAG	81421-MCA-000	ZR	ZQ	ZU	ZT	ZM	ZD	
44	LID, R. SADDLEBAG	81221-MCA-000	ZR	ZQ	ZU	ZT	ZM	ZD	
45	LID, SHELTER	83153-MCA-000	ZR	ZQ	ZU	ZT	ZM	ZD	
46	LOCK SET	35010-MCA-A40	ZA	ZC	ZE	ZD	ZB	ZF	
47	LOUVER, L. SIDE COWL	64295-MCA-000	ZR	ZQ	ZU	ZT	ZM	ZD	
48	LOUVER, R. SIDE COWL	64285-MCA-000	ZR	ZQ	ZU	ZT	ZM	ZD	
49	MIRROR ASSY., L. BACK	88120-MCA-A00	ZR	ZQ	ZU	ZT	ZM	ZG	
50	MIRROR ASSY., R. BACK	88110-MCA-A00	ZR	ZQ	ZU	ZT	ZM	ZG	
51	MOLDING, L. COWL TRIM	64214-MCA-000	ZR	ZQ	ZU	ZT	ZM	ZD	
52	MOLDING, L. RR. SADDLEBAG	81471-MCA-000	ZR	ZQ	ZU	ZT	ZM	ZD	
53	MOLDING, L. RR. SADDLEBAG (LOWER)	81482-MCA-000	ZR	ZQ	ZU	ZT	ZM	ZD	
54	MOLDING, L. SADDLEBAG SIDE	81461-MCA-000	ZR	ZQ	ZU	ZT	ZM	ZD	
55	MOLDING, L. SADDLEBAG SIDE (LOWER)	81481-MCA-000	ZR	ZQ	ZU	ZT	ZM	ZD	
56	MOLDING, L. TRUNK SIDE	81162-MCA-000	ZR	ZQ	ZU	ZT	ZM	ZD	
57	MOLDING, R. COWL TRIM	64204-MCA-000	ZR	ZQ	ZU	ZT	ZM	ZD	
58	MOLDING, R. RR. SADDLEBAG	81271-MCA-000	ZR	ZQ	ZU	ZT	ZM	ZD	
59	MOLDING, R. RR. SADDLEBAG (LOWER)	81282-MCA-000	ZR	ZQ	ZU	ZT	ZM	ZD	
60	MOLDING, R. SADDLEBAG SIDE	81261-MCA-000	ZR	ZQ	ZU	ZT	ZM	ZD	
61	MOLDING, R. SADDLEBAG SIDE (LOWER)	81281-MCA-000	ZR	ZQ	ZU	ZT	ZM	ZD	
62	MOLDING, R. TRUNK SIDE	81161-MCA-000	ZR	ZQ	ZU	ZT	ZM	ZD	
63	MOLDING, TRUNK CENTER	81163-MCA-000	ZR	ZQ	ZU	ZT	ZM	ZD	
64	PANEL, METER	64240-MCA-000	ZA	ZA	ZA	ZA	ZA	ZA	
65	PROTECTOR ASSY., L. EX.	18455-MCA-A20	ZA	ZA	ZA	ZA	ZA	ZA	
66	PROTECTOR ASSY., R. EX.	18355-MCA-A20	ZA	ZA	ZA	ZA	ZA	ZA	
67	PROTECTOR SET, L. SIDE	83710-MCA-000	ZA	ZA	ZA	ZA	ZA	ZA	
68	PROTECTOR SET, R. SIDE	83610-MCA-000	ZA	ZA	ZA	ZA	ZA	ZA	
69	SEAT, BACK	77500-MCA-A20	ZB	ZA	ZA	ZA	ZA	ZB	
70	SEAT, DOUBLE	77200-MCA-A20	ZB	ZA	ZA	ZA	ZA	ZB	
71	SHELTER, TOP	83152-MCA-000	ZR	ZQ	ZU	ZT	ZM	ZD	
72	VISOR A, METER PANEL	64255-MCA-000	ZA	ZA	ZA	ZA	ZA	ZA	
73	VISOR C, L. METER PANEL	64266-MCA-000	ZA	ZA	ZA	ZA	ZA	ZA	
74	VISOR C, R. METER PANEL	64256-MCA-000	ZA	ZA	ZA	ZA	ZA	ZA	

COLOR TABLE

When ordering a colored part:

1. Confirm the color code for the required part from the color table according to the part name and color type.
2. Select the corresponding part number from the appropriate PAGE/GRID.
3. Parts marked "X" are unused.
4. "*" = Basic Part Number, no extension (i.e. ZA, ZB).

GL1800A'05 2005

No.	DESCRIPTION	COLOR CODE	NHA27	NHA27B	NHA29	NHA45	PB356	R287	A R E A
		BASE COLOR	Billet silver metallic NHA27M	Billet silver metallic NHA27M	Arctic white NHA29	Portland gray metallic NHA45M	Nova blue metallic PB356M	Bloodstone red metallic R287M	
		BASIC PART NO.							
1	BODY, L. SADDLEBAG	81411-MCA-000	ZR	ZR	ZQ	ZU	ZT	ZM	
2	BODY, R. SADDLEBAG	81211-MCA-000	ZR	ZR	ZQ	ZU	ZT	ZM	
3	BOX, TRUNK	81111-MCA-000	ZR	ZR	ZQ	ZU	ZT	ZM	
4	CLIP, PANEL FIXING	91549-MW0-790	ZA	ZA	ZA	ZA	ZA	ZA	
5	COVER B, L. ARMREST	82430-MCA-000	ZA	ZA	ZA	ZA	ZA	ZA	
6	COVER B, R. ARMREST	82330-MCA-000	ZA	ZA	ZA	ZA	ZA	ZA	
7	COVER SET, L. SIDE	83700-MCA-000	ZR	ZR	ZQ	ZU	ZT	ZM	
8	COVER SET, R. SIDE	83600-MCA-000	ZR	ZR	ZQ	ZU	ZT	ZM	
9	COVER, L. PILLION STEP (LOWER)	50817-MCA-000	ZA	ZA	ZA	ZA	ZA	ZA	
10	COVER, L. PILLION STEP HOLDER	50741-MCA-000	ZA	ZA	ZA	ZA	ZA	ZA	
11	COVER, L. PIVOT PLATE	50415-MCA-000	ZA	ZA	ZA	ZA	ZA	ZA	
12	COVER, R. PILLION STEP (LOWER)	50717-MCA-000	ZA	ZA	ZA	ZA	ZA	ZA	
13	COVER, R. PILLION STEP HOLDER	50740-MCA-000	ZA	ZA	ZA	ZA	ZA	ZA	
14	COVER, R. PIVOT PLATE	50410-MCA-000	ZA	ZA	ZA	ZA	ZA	ZA	
15	COVER, TRUNK (LOWER)	81141-MCA-000	ZR	ZR	ZQ	ZU	ZT	ZM	
16	COVER, WELD BEAD	83613-MCA-000	ZB	ZB	ZB	ZB	ZB	ZB	
17	COVER, WELD BEAD	83713-MCA-000	ZB	ZB	ZB	ZB	ZB	ZB	
18	COWL, CENTER (INNER)	64501-MCA-000	ZA	ZA	ZA	ZA	ZA	ZA	
19	COWL, FR. (LOWER)	64302-MCA-000	ZA	ZA	ZA	ZA	ZA	ZA	
20	COWL, FR. CENTER	64216-MCA-000	ZR	ZR	ZQ	ZU	ZT	ZM	
21	COWL, L. (INNER)	64503-MCA-000	ZR	ZR	ZQ	ZU	ZT	ZM	
22	COWL, L. SIDE	64292-MCA-000	ZR	ZR	ZQ	ZU	ZT	ZM	
23	COWL, R. (INNER)	64502-MCA-000	ZR	ZR	ZQ	ZU	ZT	ZM	
24	COWL, R. SIDE	64282-MCA-000	ZR	ZR	ZQ	ZU	ZT	ZM	
25	CUSHION, L. ARMREST	82440-MCA-000	ZA	ZA	ZA	ZA	ZA	ZA	
26	CUSHION, R. ARMREST	82340-MCA-000	ZA	ZA	ZA	ZA	ZA	ZA	
27	EMBLEM, FR. GARNISH	64180-MCA-A40	ZA	ZA	ZC	ZE	ZD	ZB	
28	EMBLEM, KEY	35113-MCA-A41	ZA	ZA	ZC	ZE	ZD	ZB	
29	EMBLEM, RR. TRUNK	81127-MCA-A40	ZA	ZA	ZC	ZE	ZD	ZB	
30	EMBLEM, RR. TRUNK	87111-MCA-A40	ZA	ZA	ZC	ZE	ZD	ZB	
31	FENDER A, FR.	61101-MCA-000	ZR	ZR	ZQ	ZU	ZT	ZM	
32	FENDER A, RR.	80100-MCA-000	ZR	ZR	ZQ	ZU	ZT	ZM	
33	FENDER B, FR.	61103-MCA-000	ZR	ZR	ZQ	ZU	ZT	ZM	
34	FRAME	50100-MCA-020	ZA	ZA	ZA	ZA	ZA	ZA	
35	GARNISH SET, SCREEN (WL)	64120-MCA-A40	ZG	ZG	ZJ	ZN	ZK	ZH	

COLOR TABLE

GL1800A'05 2005

No.	DESCRIPTION	COLOR CODE	NHA27	NHA27B	NHA29	NHA45	PB356	R287	A R E A
		BASE COLOR	Billet silver metallic NHA27M	Billet silver metallic NHA27M	Arctic white NHA29	Portland gray metallic NHA45M	Nova blue metallic PB356M	Bloodstone red metallic R287M	
		BASIC PART NO.							
36	GRIP, L. PASSENGER	84155-MCA-000	ZA	ZA	ZA	ZA	ZA	ZA	
37	GRIP, R. PASSENGER	84150-MCA-000	ZA	ZA	ZA	ZA	ZA	ZA	
38	HOUSING, L.	88122-MCA-000	ZK	ZK	ZA	ZP	ZM	ZE	
39	HOUSING, R.	88112-MCA-000	ZK	ZK	ZA	ZP	ZM	ZE	
40	KEY, BLANK	35121-MCA-A40	ZA	ZA	ZC	ZE	ZD	ZB	
41	LABEL, COLOR	87565-MCA-A50	—	ZB	ZE	ZH	ZF	ZC	
42	LID SET, TRUNK (WL)	81125-MCA-A40	ZG	ZG	ZJ	ZN	ZK	ZH	
43	LID, L. SADDLEBAG	81421-MCA-000	ZR	ZR	ZQ	ZU	ZT	ZM	
44	LID, R. SADDLEBAG	81221-MCA-000	ZR	ZR	ZQ	ZU	ZT	ZM	
45	LID, SHELTER	83153-MCA-000	ZR	ZR	ZQ	ZU	ZT	ZM	
46	LOCK SET	35010-MCA-A40	ZA	ZA	ZC	ZE	ZD	ZB	
47	LOUVER, L. SIDE COWL	64295-MCA-000	ZR	ZR	ZQ	ZU	ZT	ZM	
48	LOUVER, R. SIDE COWL	64285-MCA-000	ZR	ZR	ZQ	ZU	ZT	ZM	
49	MIRROR ASSY., L. BACK	88120-MCA-A00	ZR	ZR	ZQ	ZU	ZT	ZM	
50	MIRROR ASSY., R. BACK	88110-MCA-A00	ZR	ZR	ZQ	ZU	ZT	ZM	
51	MOLDING, L. COWL TRIM	64214-MCA-000	ZR	ZR	ZQ	ZU	ZT	ZM	
52	MOLDING, L. RR. SADDLEBAG	81471-MCA-000	ZR	ZR	ZQ	ZU	ZT	ZM	
53	MOLDING, L. RR. SADDLEBAG (LOWER)	81482-MCA-000	ZR	ZR	ZQ	ZU	ZT	ZM	
54	MOLDING, L. SADDLEBAG SIDE	81461-MCA-000	ZR	ZR	ZQ	ZU	ZT	ZM	
55	MOLDING, L. SADDLEBAG SIDE (LOWER)	81481-MCA-000	ZR	ZR	ZQ	ZU	ZT	ZM	
56	MOLDING, L. TRUNK SIDE	81162-MCA-000	ZR	ZR	ZQ	ZU	ZT	ZM	
57	MOLDING, R. COWL TRIM	64204-MCA-000	ZR	ZR	ZQ	ZU	ZT	ZM	
58	MOLDING, R. RR. SADDLEBAG	81271-MCA-000	ZR	ZR	ZQ	ZU	ZT	ZM	
59	MOLDING, R. RR. SADDLEBAG (LOWER)	81282-MCA-000	ZR	ZR	ZQ	ZU	ZT	ZM	
60	MOLDING, R. SADDLEBAG SIDE	81261-MCA-000	ZR	ZR	ZQ	ZU	ZT	ZM	
61	MOLDING, R. SADDLEBAG SIDE (LOWER)	81281-MCA-000	ZR	ZR	ZQ	ZU	ZT	ZM	
62	MOLDING, R. TRUNK SIDE	81161-MCA-000	ZR	ZR	ZQ	ZU	ZT	ZM	
63	MOLDING, TRUNK CENTER	81163-MCA-000	ZR	ZR	ZQ	ZU	ZT	ZM	
64	PANEL, METER	64240-MCA-000	ZA	ZA	ZA	ZA	ZA	ZA	
65	PROTECTOR ASSY., L. EX.	18455-MCA-A20	ZA	ZA	ZA	ZA	ZA	ZA	
66	PROTECTOR ASSY., R. EX.	18355-MCA-A20	ZA	ZA	ZA	ZA	ZA	ZA	
67	PROTECTOR SET, L. SIDE	83710-MCA-000	ZA	ZA	ZA	ZA	ZA	ZA	
68	PROTECTOR SET, R. SIDE	83610-MCA-000	ZA	ZA	ZA	ZA	ZA	ZA	
69	SEAT, BACK	77500-MCA-A20	ZA	ZB	ZA	ZA	ZA	ZA	
70	SEAT, DOUBLE	77200-MCA-A20	ZA	ZB	ZA	ZA	ZA	ZA	
71	SHELTER, TOP	83152-MCA-000	ZR	ZR	ZQ	ZU	ZT	ZM	
72	VISOR A, METER PANEL	64255-MCA-000	ZA	ZA	ZA	ZA	ZA	ZA	
73	VISOR C, L. METER PANEL	64266-MCA-000	ZA	ZA	ZA	ZA	ZA	ZA	
74	VISOR C, R. METER PANEL	64256-MCA-000	ZA	ZA	ZA	ZA	ZA	ZA	

COLOR TABLE

When ordering a colored part:

1. Confirm the color code for the required part from the color table according to the part name and color type.
2. Select the corresponding part number from the appropriate PAGE/GRID.
3. Parts marked "X" are unused.
4. "*" = Basic Part Number, no extension (i.e. ZA, ZB).

GL1800A'05 2005

No.	DESCRIPTION	COLOR CODE	Y130B	A R E A
		BASE COLOR	Pearl hot rod yellow Y130P	
		BASIC PART NO.		
1	BODY, L. SADDLEBAG	81411-MCA-000	ZD	
2	BODY, R. SADDLEBAG	81211-MCA-000	ZD	
3	BOX, TRUNK	81111-MCA-000	ZD	
4	CLIP, PANEL FIXING	91549-MW0-790	ZA	
5	COVER B, L. ARMREST	82430-MCA-000	ZA	
6	COVER B, R. ARMREST	82330-MCA-000	ZA	
7	COVER SET, L. SIDE	83700-MCA-000	ZD	
8	COVER SET, R. SIDE	83600-MCA-000	ZD	
9	COVER, L. PILLION STEP (LOWER)	50817-MCA-000	ZA	
10	COVER, L. PILLION STEP HOLDER	50741-MCA-000	ZA	
11	COVER, L. PIVOT PLATE	50415-MCA-000	ZA	
12	COVER, R. PILLION STEP (LOWER)	50717-MCA-000	ZA	
13	COVER, R. PILLION STEP HOLDER	50740-MCA-000	ZA	
14	COVER, R. PIVOT PLATE	50410-MCA-000	ZA	
15	COVER, TRUNK (LOWER)	81141-MCA-000	ZD	
16	COVER, WELD BEAD	83613-MCA-000	ZB	
17	COVER, WELD BEAD	83713-MCA-000	ZB	
18	COWL, CENTER (INNER)	64501-MCA-000	ZA	
19	COWL, FR. (LOWER)	64302-MCA-000	ZA	
20	COWL, FR. CENTER	64216-MCA-000	ZD	
21	COWL, L. (INNER)	64503-MCA-000	ZD	
22	COWL, L. SIDE	64292-MCA-000	ZD	
23	COWL, R. (INNER)	64502-MCA-000	ZD	
24	COWL, R. SIDE	64282-MCA-000	ZD	
25	CUSHION, L. ARMREST	82440-MCA-000	ZA	
26	CUSHION, R. ARMREST	82340-MCA-000	ZA	
27	EMBLEM, FR. GARNISH	64180-MCA-A40	ZF	
28	EMBLEM, KEY	35113-MCA-A41	ZF	
29	EMBLEM, RR. TRUNK	81127-MCA-A40	ZF	
30	EMBLEM, RR. TRUNK	87111-MCA-A40	ZF	
31	FENDER A, FR.	61101-MCA-000	ZD	
32	FENDER A, RR.	80100-MCA-000	ZD	
33	FENDER B, FR.	61103-MCA-000	ZD	
34	FRAME	50100-MCA-020	ZA	
35	GARNISH SET, SCREEN (WL)	64120-MCA-A40	ZM	
36	GRIP, L. PASSENGER	84155-MCA-000	ZA	

COLOR TABLE

GL1800A'05 2005

No.	DESCRIPTION	COLOR CODE	Y130B	A R E A
		BASE COLOR	Pearl hot rod yellow Y130P	
		BASIC PART NO.		
37	GRIP, R. PASSENGER	84150-MCA-000	ZA	
38	HOUSING, L.	88122-MCA-000	ZN	
39	HOUSING, R.	88112-MCA-000	ZN	
40	KEY, BLANK	35121-MCA-A40	ZF	
41	LABEL, COLOR	87565-MCA-A50	ZJ	
42	LID SET, TRUNK (WL)	81125-MCA-A40	ZM	
43	LID, L. SADDLEBAG	81421-MCA-000	ZD	
44	LID, R. SADDLEBAG	81221-MCA-000	ZD	
45	LID, SHELTER	83153-MCA-000	ZD	
46	LOCK SET	35010-MCA-A40	ZF	
47	LOUVER, L. SIDE COWL	64295-MCA-000	ZD	
48	LOUVER, R. SIDE COWL	64285-MCA-000	ZD	
49	MIRROR ASSY., L. BACK	88120-MCA-A00	ZG	
50	MIRROR ASSY., R. BACK	88110-MCA-A00	ZG	
51	MOLDING, L. COWL TRIM	64214-MCA-000	ZD	
52	MOLDING, L. RR. SADDLEBAG	81471-MCA-000	ZD	
53	MOLDING, L. RR. SADDLEBAG (LOWER)	81482-MCA-000	ZD	
54	MOLDING, L. SADDLEBAG SIDE	81461-MCA-000	ZD	
55	MOLDING, L. SADDLEBAG SIDE (LOWER)	81481-MCA-000	ZD	
56	MOLDING, L. TRUNK SIDE	81162-MCA-000	ZD	
57	MOLDING, R. COWL TRIM	64204-MCA-000	ZD	
58	MOLDING, R. RR. SADDLEBAG	81271-MCA-000	ZD	
59	MOLDING, R. RR. SADDLEBAG (LOWER)	81282-MCA-000	ZD	
60	MOLDING, R. SADDLEBAG SIDE	81261-MCA-000	ZD	
61	MOLDING, R. SADDLEBAG SIDE (LOWER)	81281-MCA-000	ZD	
62	MOLDING, R. TRUNK SIDE	81161-MCA-000	ZD	
63	MOLDING, TRUNK CENTER	81163-MCA-000	ZD	
64	PANEL, METER	64240-MCA-000	ZA	
65	PROTECTOR ASSY., L. EX.	18455-MCA-A20	ZA	
66	PROTECTOR ASSY., R. EX.	18355-MCA-A20	ZA	
67	PROTECTOR SET, L. SIDE	83710-MCA-000	ZA	
68	PROTECTOR SET, R. SIDE	83610-MCA-000	ZA	
69	SEAT, BACK	77500-MCA-A20	ZB	
70	SEAT, DOUBLE	77200-MCA-A20	ZB	
71	SHELTER, TOP	83152-MCA-000	ZD	
72	VISOR A, METER PANEL	64255-MCA-000	ZA	
73	VISOR C, L. METER PANEL	64266-MCA-000	ZA	
74	VISOR C, R. METER PANEL	64256-MCA-000	ZA	

BULK HOSE PART NUMBER PATTERN

Construction of Fuel and Vacuum Hose Part Number

Example: 9 5 0 0 1 - 7 5 0 0 1 - 4 0 M

Roll Hose

All roll hose part numbers have an "M" in this position

Appearance Code

Fuel Hose:

- 2 = Red, braided exterior
- 3 = Red
- 4 = Ash Gray with red stripe
- 5 = Black, braided interior
- 6 = Black

Vinyl Hose:

- 1 = Ash Gray
- 2 = Black
- 3 = Light Red
- 6 = Light Red
- 7 = Pale Black

Vacuum Hose:

- 1 = Ash Gray
- 2 = Ash Gray
- 3 = Black
- 5 = Black

Length

Cut Hose length is in *Millimeters (mm)*

Bulk Hose length is in *Meters (M)*

Inside Diameter

Fuel and Vacuum Hose

- | | |
|-----------------------|------------------------------|
| 35 = 3.5 mm | 11 = 11 mm |
| 45 = 4.5 mm | 91 = 12 (outside dia. 15) mm |
| 50 = 5.0 mm | 92 = 12 (outside dia. 16) mm |
| 55 = 5.3 mm or 5.5 mm | 12 = 12 (outside dia. 17) mm |
| 65 = 6.5 mm | 14 = 14 mm |
| 70 = 7.0 mm | 17 = 17 mm |
| 75 = 7.3 mm or 7.5 mm | |
| 80 = 8.0 mm | |

ID./OD. Code : Vinyl Hose

- | | | |
|--------------------------|----------------------------|----------------------------|
| 01 = ID. 2.9, OD. 6.8 mm | 14 = ID. 6.0, OD. 9.0 mm | 37 = ID. 11.0, OD. 15.0 mm |
| 03 = ID. 3.0, OD. 6.0 mm | 17 = ID. 7.0, OD. 9.0 mm | 38 = ID. 12.0, OD. 13.0 mm |
| 05 = ID. 3.5, OD. 6.5 mm | 19 = ID. 7.0, OD. 11.0 mm | 39 = ID. 12.0, OD. 14.0 mm |
| 07 = ID. 4.0, OD. 7.0 mm | 21 = ID. 8.0, OD. 9.0 mm | 40 = ID. 12.0, OD. 16.0 mm |
| 08 = ID. 4.5, OD. 6.5 mm | 23 = ID. 8.0, OD. 12.0 mm | 43 = ID. 13.0, OD. 15.0 mm |
| 09 = ID. 4.5, OD. 8.0 mm | 25 = ID. 9.0, OD. 11.0 mm | 45 = ID. 14.0, OD. 18.0 mm |
| 12 = ID. 5.0, OD. 7.0 mm | 27 = ID. 9.0, OD. 13.0 mm | 50 = ID. 16.0, OD. 19.0 mm |
| 10 = ID. 5.0, OD. 8.0 mm | 33 = ID. 10.0, OD. 14.0 mm | 55 = ID. 17.5, OD. 20.5 mm |
| 11 = ID. 5.0, OD. 9.0 mm | 36 = ID. 11.0, OD. 13.0 mm | 60 = ID. 22.0, OD. 27.0 mm |

Hose Type:

- 1 = Fuel Hose
- 3 = Vinyl Hose
- 5 = Vacuum Hose

CAUTION: Never use vacuum / or vinyl hose in place of fuel hose or vice versa

MASTER INDEX

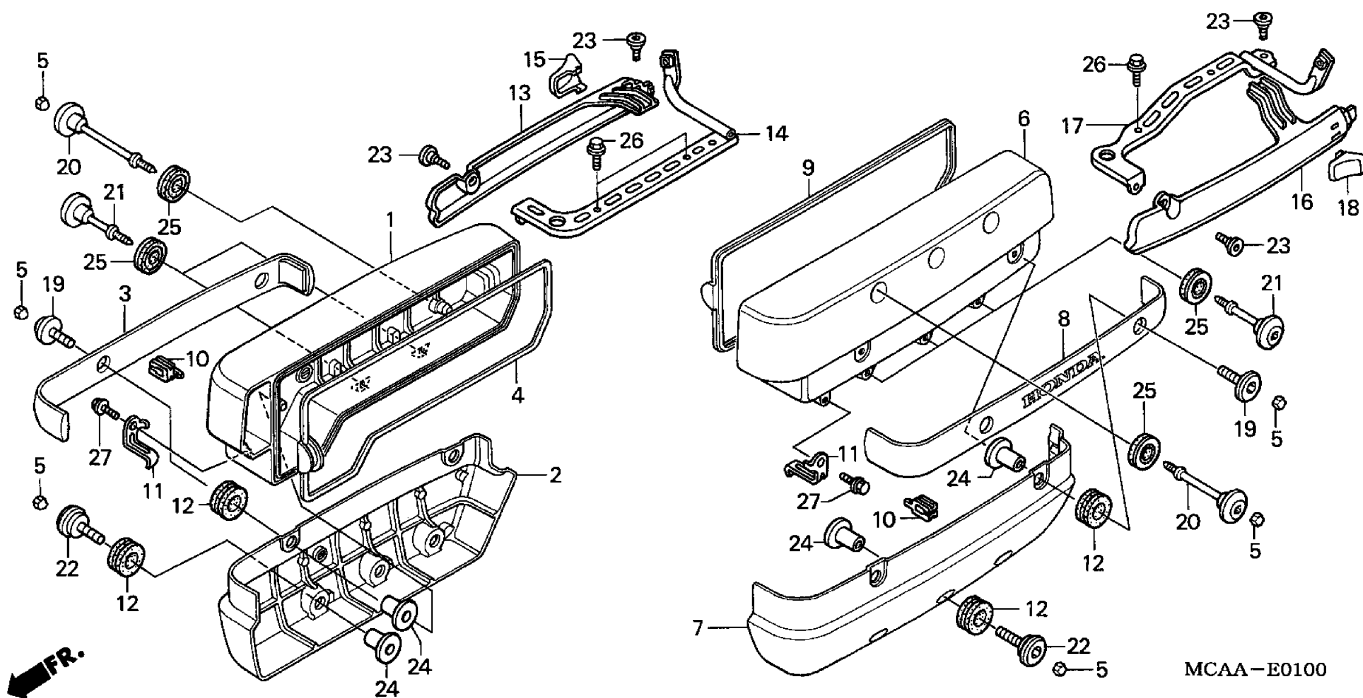
Title	Grid	Page	Title	Grid	Page
ENGINE SECTION			AIR CLEANER	1-F8	2-49
CYLINDER HEAD COVER	1-C1	1-2	AIR INJECTION VALVE	1-F9	2-51
CYLINDER HEAD	1-C2	1-4	SIDE COVER	1-F10	2-52
CAMSHAFT • VALVE	1-C3	1-6	MUFFLER	1-F11	2-54
CAM CHAIN • TENSIONER	1-C5	1-10	PEDAL	1-F12	2-57
WATER PUMP	1-C6	1-12	STEP	1-F13	2-58
FRONT COVER • TRANSMISSION COVER	1-C6	1-13	STAND	1-F14	2-60
CLUTCH COVER	1-C7	1-15	SWINGARM	1-F15	2-62
CLUTCH	1-C8	1-16	REAR SHOCK ABSORBER	1-F15	2-63
ALTERNATOR	1-C9	1-18	REAR FENDER	1-F16	2-65
STARTING MOTOR	1-C9	1-19	TURN SIGNAL • MIRROR	1-G1	2-67
REAR CASE	1-C10	1-21	REAR COMBINATION LIGHT	1-G3	2-70
REVERSE GEAR	1-C11	1-23	BATTERY	1-G3	2-71
REVERSE SHIFT ACTUATOR	1-C12	1-25	IGNITION COIL	1-G4	2-73
PRIMARY DRIVE GEAR	1-C13	1-26	WIRE HARNESS	1-G5	2-74
FINAL SHAFT	1-C13	1-27	CONTROL UNIT	1-G6	2-76
OIL PUMP	1-C14	1-28	RADIATOR	1-G7	2-78
CYLINDER BLOCK	1-C15	1-30	COOLING FAN	1-G8	2-80
CRANKSHAFT • PISTON	1-C16	1-32	FRAME	1-G8	2-81
TRANSMISSION	1-D1	1-34	TOOLS	1-G10	2-84
SHIFT DRUM • SHIFT FORK	1-D2	1-36	WINDSCREEN	1-G11	2-86
WATER PIPE	1-D3	1-38	COWL	1-G13	2-90
THROTTLE BODY	1-D4	1-40	AIR DUCT	1-G15	2-94
THROTTLE BODY (TUBING)	1-D4	1-41	COWL STAY	1-G16	2-96
INJECTOR	1-D5	1-43	TRUNK BOX	1-G16	2-97
FRAME SECTION			SADDLEBAG	1-H3	2-103
HEADLIGHT	1-E1	2-2	OPENER UNIT	1-H7	2-111
METER PANEL	1-E2	2-4	ENGINE GUARD	1-H8	2-113
SPEEDOMETER	1-E2	2-5	RADIO	1-H9	2-115
HANDLE SWITCH	1-E3	2-7	AUTO CRUISE	1-H10	2-117
DELAY VALVE	1-E5	2-10	EVAP CANISTER	1-H11	2-118
FRONT BRAKE MASTER CYLINDER	1-E6	2-12	CAUTION LABEL	1-H12	2-120
CLUTCH MASTER CYLINDER	1-E7	2-14			
HANDLEBAR • TOP BRIDGE	1-E8	2-16			
STEERING STEM	1-E9	2-18			
FRONT FENDER	1-E10	2-20			
FRONT FORK	1-E11	2-22			
RIGHT FRONT BRAKE CALIPER (GL1800)	1-E12	2-24			
RIGHT FRONT BRAKE CALIPER (GL1800A)	1-E13	2-26			
LEFT FRONT BRAKE CALIPER	1-E14	2-28			
FRONT WHEEL	1-E15	2-30			
REAR BRAKE MASTER CYLINDER	1-E16	2-32			
PROPORTION CONTROL VALVE	1-F1	2-34			
REAR BRAKE CALIPER	1-F2	2-36			
REAR WHEEL	1-F3	2-38			
FINAL DRIVEN GEAR	1-F3	2-39			
SHELTER	1-F5	2-42			
SEAT	1-F7	2-46			
FUEL TANK	1-F7	2-47			

ENGINE SECTION

Chapter Table of Contents

Page Title	Grid	Page
CYLINDER HEAD COVER	1-C1	1-2
CYLINDER HEAD	1-C2	1-4
CAMSHAFT • VALVE	1-C3	1-6
CAM CHAIN • TENSIONER	1-C5	1-10
WATER PUMP	1-C6	1-12
FRONT COVER • TRANSMISSION COVER	1-C6	1-13
CLUTCH COVER	1-C7	1-15
CLUTCH	1-C8	1-16
ALTERNATOR	1-C9	1-18
STARTING MOTOR	1-C9	1-19
REAR CASE	1-C10	1-21
REVERSE GEAR	1-C11	1-23
REVERSE SHIFT ACTUATOR	1-C12	1-25
PRIMARY DRIVE GEAR	1-C13	1-26
FINAL SHAFT	1-C13	1-27
OIL PUMP	1-C14	1-28
CYLINDER BLOCK	1-C15	1-30
CRANKSHAFT • PISTON	1-C16	1-32
TRANSMISSION	1-D1	1-34
SHIFT DRUM • SHIFT FORK	1-D2	1-36
WATER PIPE	1-D3	1-38
THROTTLE BODY	1-D4	1-40
THROTTLE BODY (TUBING)	1-D4	1-41
INJECTOR	1-D5	1-43

CYLINDER HEAD COVER



MCAA-E0100

MCAAE0100

5 =GL1800'05
5A=GL1800A'05

E-1

Engine
Serial Number

Ref	Description	Model	From	To	QTY	Part Number	H/C
1	COVER, R. CYLINDER HEAD	5 5A	-----	-----	1	12311-MCA-000	6617161
2	COVER, R. CYLINDER HEAD SIDE	5 5A	-----	-----	1	12321-MCA-000	6617179
3	EMBLEM, R. CYLINDER HEAD COVER	5 5A	-----	-----	1	12322-MCA-A20	7544430
4	GASKET, R. CYLINDER HEAD COVER	5 5A	-----	-----	1	12391-MCA-000	6617195
5	PLUG, HEX. (6MM)	5 5A	-----	-----	16	12392-MJ0-000	1734151
6	COVER, L. CYLINDER HEAD	5 5A	-----	-----	1	12411-MCA-000	6617203
7	COVER, L. CYLINDER HEAD SIDE	5 5A	-----	-----	1	12421-MCA-000	6617211
8	EMBLEM, L. CYLINDER HEAD COVER	5 5A	-----	-----	1	12422-MCA-A20	7544448
9	GASKET, L. CYLINDER HEAD COVER	5 5A	-----	-----	1	12491-MCA-000	6617237
10	CLAMP, IGNITION WIRE	5 5A	-----	-----	2	32114-MCA-000	6619324
11	GUIDE, IGNITION WIRE	5 5A	-----	-----	2	32115-MCA-000	6619332
12	RUBBER, PIVOT COVER (LOWER)	5 5A	-----	-----	10	64386-MS2-000	3376399
13	COVER, R. INJECTION	5 5A	-----	-----	1	83515-MCA-000	6543375
14	STAY, R. INJECTION COVER	5 5A	-----	-----	1	83516-MCA-000	6543318
15	SPOILER, R. SIDE	5 5A	-----	-----	1	83530-MCA-000	6621379
16	COVER, L. INJECTION	5 5A	-----	-----	1	83565-MCA-000	6543391
17	STAY, L. INJECTION COVER	5 5A	-----	-----	1	83566-MCA-000	6543326
18	SPOILER, L. SIDE	5 5A	-----	-----	1	83580-MCA-000	6621395

CYLINDER HEAD COVER

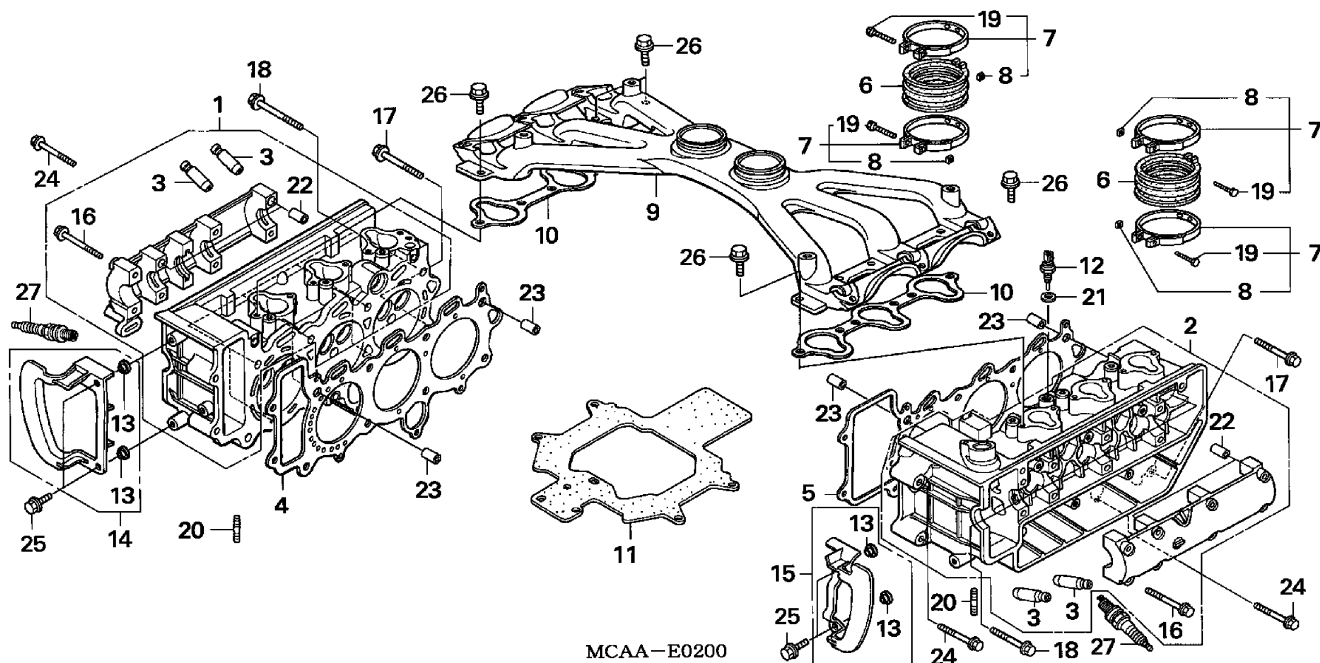
5 =GL1800'05
5A=GL1800A'05

E-1

Engine
Serial Number

Ref	Description	Model	From	To	QTY	Part Number	H/C
19	BOLT, SOCKET SPECIAL (6X19)	5 5A	-----	-----	4	90016-MCA-780	6776827
20	BOLT, HEAD COVER.....	5 5A	-----	-----	6	90017-MCA-000	6654164
21	BOLT, HEAD COVER.....	5 5A	-----	-----	5	90018-MCA-000	6654172
22	BOLT, HEAD COVER.....	5 5A	-----	-----	6	90019-MCA-780	6776835
23	SCREW, PAN (6X11).....	5 5A	-----	-----	4	90106-KY2-701	3134053
24	COLLAR, COWL SETTING (LOWER)	5 5A	-----	-----	10	90122-463-770	0935312
25	RUBBER, SETTING	5 5A	-----	-----	11	90543-MV9-670	3699139
26	BOLT, FLANGE (6X12)	5 5A	-----	-----	4	95701-06012-08	2170793
	BOLT, FLANGE (6X12)	5 5A	-----	-----	4	95801-06012-08	2440485
27	BOLT, FLANGE (6X10)	5 5A	-----	-----	2	96001-06010-00	2154656

CYLINDER HEAD



MCAA-E0200

MCAAE0200

5 =GL1800'05
5A=GL1800A'05

E-2

Engine
Serial Number

Ref	Description	Model	From	To	QTY	Part Number	H/C
1	CYLINDER HEAD ASSY., R.	5 5A	-----	-----	1	12010-MCA-A20	7544414
2	CYLINDER HEAD ASSY., L.	5 5A	-----	-----	1	12020-MCA-A20	7544422
3	GUIDE, VALVE (OS)	5 5A	-----	-----	12	12204-MCA-P00	6617138
4	GASKET, R. CYLINDER HEAD	5 5A	-----	-----	1	12251-MCA-781	6775522
5	GASKET, L. CYLINDER HEAD	5 5A	-----	-----	1	12252-MCA-781	6775530
6	INSULATOR, THROTTLE BODY	5 5A	-----	-----	2	16211-MCA-000	6617732
7	BAND, INSULATOR	5 5A	-----	-----	4	16218-MCA-000	6653950
8	NUT, SQUARE (5MM)	5 5A	-----	-----	4	16222-MV4-300	3694882
9	MANIFOLD, IN.....	5 5A	-----	-----	1	17110-MCA-000	6617864
10	GASKET, IN. MANIFOLD	5 5A	-----	-----	2	17134-MCA-003	6617872
11	SHEET, IN. MANIFOLD	5 5A	-----	-----	1	17140-MCA-000	6617880
12	SENSOR ASSY., WATER TEMPERATURE	5 5A	-----	-----	1	37870-MAT-E01	6113526
13	COLLAR, FR. FENDER	5 5A	-----	-----	4	61105-MA3-000	1252519
14	COVER, R. FR. (LOWER) (INNER)	5 5A	-----	-----	1	64303-MCA-000	6620793
15	COVER, L. FR. (LOWER) (INNER)	5 5A	-----	-----	1	64304-MCA-000	6620801
16	BOLT, FLANGE (6X50)	5 5A	-----	-----	16	90003-PT0-000	3299815
17	BOLT, FLANGE (9X73)	5 5A	-----	-----	2	90010-MCA-000	6621544
18	BOLT, FLANGE (9X89)	5 5A	-----	-----	14	90012-MCA-000	6621569

CYLINDER HEAD

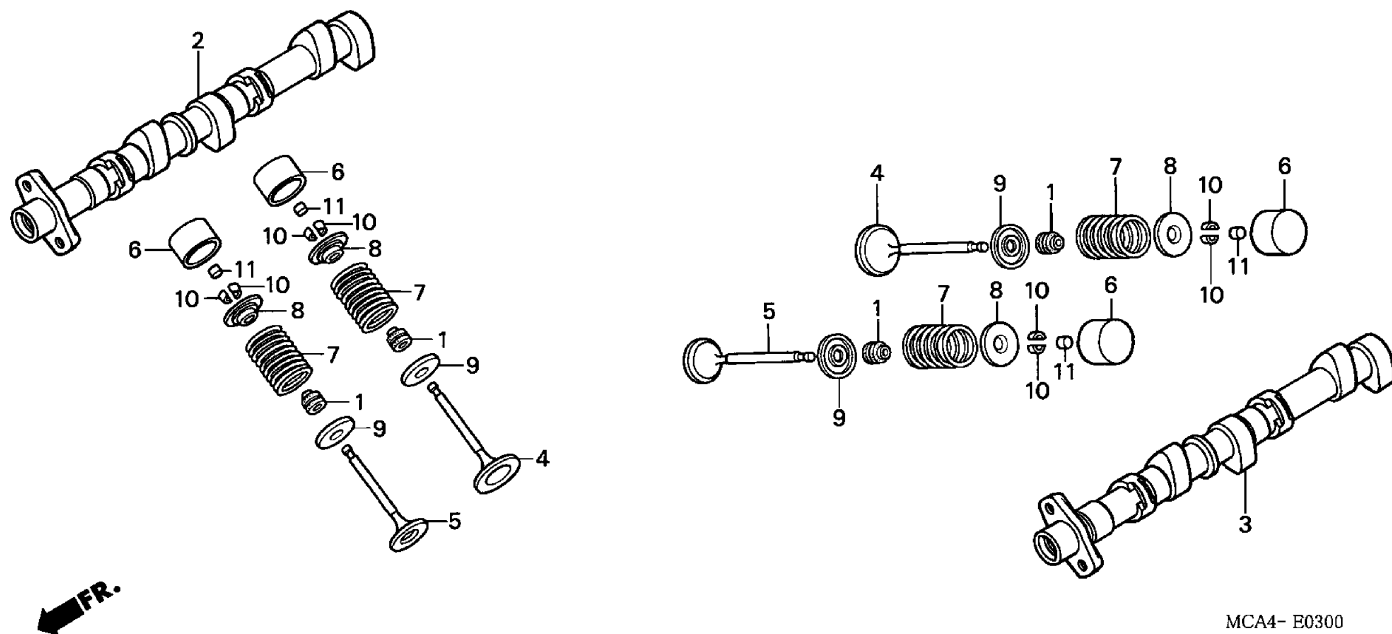
5 =GL1800'05
5A=GL1800A'05

E-2

Engine
Serial Number

Ref	Description	Model	From	To	QTY	Part Number	H/C
19	BOLT, RECESSED (5X28).....	5 5A	-----	-----	4	90023-MM5-000	2574390
20	BOLT, STUD (8/6X40)	5 5A	-----	-----	12	90035-MM5-000	2810679
21	WASHER, SPECIAL (12MM)	5 5A	-----	-----	1	90454-MC7-000	1210848
22	PIN, DOWEL (8X20).....	5 5A	-----	-----	4	94301-08200	1417369
23	PIN A, DOWEL (12X20)	5 5A	-----	-----	4	94301-12200	0165324
24	BOLT, FLANGE (6X45)	5 5A	-----	-----	6	95701-06045-08	2552537
25	BOLT, FLANGE (6X12)	5 5A	-----	-----	4	96001-06012-07	2105948
26	BOLT, FLANGE (6X25)	5 5A	-----	-----	12	96001-06025-00	2105989
27	SPARK PLUG (BKR5E-11) (NGK)	5 5A	-----	-----	(6)	98079-5514E	4556569
	SPARK PLUG (K16PR-U11) (DENSO)	5 5A	-----	-----	(6)	98079-5515E	4853404
	SPARK PLUG (BKR6E-11) (NGK)	5 5A	-----	-----	6	98079-5614E	3899663
	SPARK PLUG (BKR7E-11) (NGK)	5 5A	-----	-----	(6)	98079-5714E	3899697
	SPARK PLUG (K22PR-U11) (DENSO)	5 5A	-----	-----	(6)	98079-5715E	3899705

CAMSHAFT • VALVE



5 =GL1800'05
5A=GL1800A'05

E-3

Engine
Serial Number

MCA4- E0300

MCA4E0300

Ref	Description	Model	From	To	QTY	Part Number	H/C
1	SEAL, VALVE STEM (ARAI)	5 5A	-----	-----	12	12209-MA6-003	1718493
2	CAMSHAFT, R.	5 5A	-----	-----	1	14110-MCA-780	6775688
3	CAMSHAFT, L.....	5 5A	-----	-----	1	14120-MCA-780	6775696
4	VALVE, IN.	5 5A	-----	-----	6	14711-MCA-A00	7119209
5	VALVE, EX.	5 5A	-----	-----	6	14721-MCA-A00	7062169
6	LIFTER, VALVE	5 5A	-----	-----	12	14731-MCA-000	6617633
7	SPRING, VALVE	5 5A	-----	-----	12	14751-MCA-000	6617641
8	RETAINER, VALVE SPRING	5 5A	-----	-----	12	14771-MAT-000	5212832
9	SEAT, VALVE SPRING	5 5A	-----	-----	12	14775-MCA-000	6617658
10	COTTER, VALVE	5 5A	-----	-----	24	14781-MAT-000	5212840
11	SHIM, TAPPET (1.200)	5 5A	-----	-----	12	14901-KT7-013	4064283
	SHIM, TAPPET (1.225)	5 5A	-----	-----	12	14902-KT7-013	4105565
	SHIM, TAPPET (1.250)	5 5A	-----	-----	12	14903-KT7-013	4105573
	SHIM, TAPPET (1.275)	5 5A	-----	-----	12	14904-KT7-013	4105581
	SHIM, TAPPET (1.300)	5 5A	-----	-----	12	14905-KT7-013	4105599
	SHIM, TAPPET (1.325)	5 5A	-----	-----	12	14906-KT7-013	4105607
	SHIM, TAPPET (1.350)	5 5A	-----	-----	12	14907-KT7-013	4105615
	SHIM, TAPPET (1.375)	5 5A	-----	-----	12	14908-KT7-013	4105623

CAMSHAFT • VALVE

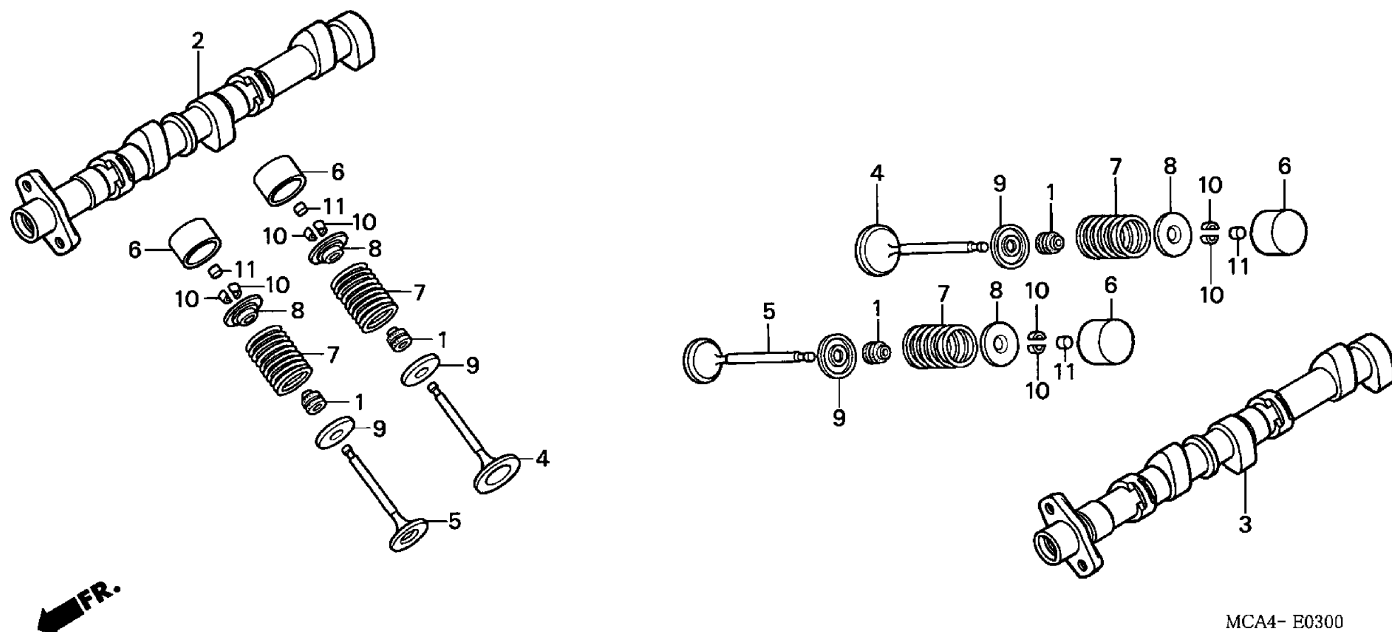
5 =GL1800'05
5A=GL1800A'05

E-3

Engine
Serial Number

Ref	Description	Model	From	To	QTY	Part Number	H/C
11	SHIM, TAPPET (1.400)	5 5A	-----	-----	12	14909-KT7-013	4105631
	SHIM, TAPPET (1.425)	5 5A	-----	-----	12	14910-KT7-013	4105649
	SHIM, TAPPET (1.450)	5 5A	-----	-----	12	14911-KT7-013	4105656
	SHIM, TAPPET (1.475)	5 5A	-----	-----	12	14912-KT7-013	4105664
	SHIM, TAPPET (1.500)	5 5A	-----	-----	12	14913-KT7-013	4105672
	SHIM, TAPPET (1.525)	5 5A	-----	-----	12	14914-KT7-013	4105680
	SHIM, TAPPET (1.550)	5 5A	-----	-----	12	14915-KT7-013	4105698
	SHIM, TAPPET (1.575)	5 5A	-----	-----	12	14916-KT7-013	4105706
	SHIM, TAPPET (1.600)	5 5A	-----	-----	12	14917-KT7-013	4105714
	SHIM, TAPPET (1.625)	5 5A	-----	-----	12	14918-KT7-013	4105722
	SHIM, TAPPET (1.650)	5 5A	-----	-----	12	14919-KT7-013	4105730
	SHIM, TAPPET (1.675)	5 5A	-----	-----	12	14920-KT7-013	4105748
	SHIM, TAPPET (1.700)	5 5A	-----	-----	12	14921-KT7-013	4105755
	SHIM, TAPPET (1.725)	5 5A	-----	-----	12	14922-KT7-013	4105763
	SHIM, TAPPET (1.750)	5 5A	-----	-----	12	14923-KT7-013	4105771
	SHIM, TAPPET (1.775)	5 5A	-----	-----	12	14924-KT7-013	4105789
	SHIM, TAPPET (1.800)	5 5A	-----	-----	12	14925-KT7-013	4105797
	SHIM, TAPPET (1.825)	5 5A	-----	-----	12	14926-KT7-013	4105805
	SHIM, TAPPET (1.850)	5 5A	-----	-----	12	14927-KT7-013	4105813
	SHIM, TAPPET (1.875)	5 5A	-----	-----	12	14928-KT7-013	4105821
	SHIM, TAPPET (1.900)	5 5A	-----	-----	12	14929-KT7-013	4105839
	SHIM, TAPPET (1.925)	5 5A	-----	-----	12	14930-KT7-013	4105847
	SHIM, TAPPET (1.950)	5 5A	-----	-----	12	14931-KT7-013	4105854
	SHIM, TAPPET (1.975)	5 5A	-----	-----	12	14932-KT7-013	4105862
	SHIM, TAPPET (2.000)	5 5A	-----	-----	12	14933-KT7-013	4105870
	SHIM, TAPPET (2.025)	5 5A	-----	-----	12	14934-KT7-013	4105888
	SHIM, TAPPET (2.050)	5 5A	-----	-----	12	14935-KT7-013	4105896
	SHIM, TAPPET (2.075)	5 5A	-----	-----	12	14936-KT7-013	4105904
	SHIM, TAPPET (2.100)	5 5A	-----	-----	12	14937-KT7-013	4105912
	SHIM, TAPPET (2.125)	5 5A	-----	-----	12	14938-KT7-013	4105920
	SHIM, TAPPET (2.150)	5 5A	-----	-----	12	14939-KT7-013	4105938
	SHIM, TAPPET (2.175)	5 5A	-----	-----	12	14940-KT7-013	4105946
	SHIM, TAPPET (2.200)	5 5A	-----	-----	12	14941-KT7-013	4105953
	SHIM, TAPPET (2.225)	5 5A	-----	-----	12	14942-KT7-013	4105961

CAMSHAFT • VALVE



MCA4- E0300

MCA4E0300

5 =GL1800'05
5A=GL1800A'05

E-3

Engine
Serial Number

Ref	Description	Model	From	To	QTY	Part Number	H/C
11	SHIM, TAPPET (2.250)	5 5A	-----	-----	12	14943-KT7-013	4105979
	SHIM, TAPPET (2.275)	5 5A	-----	-----	12	14944-KT7-013	4105987
	SHIM, TAPPET (2.300)	5 5A	-----	-----	12	14945-KT7-013	4105995
	SHIM, TAPPET (2.325)	5 5A	-----	-----	12	14946-KT7-013	4106001
	SHIM, TAPPET (2.350)	5 5A	-----	-----	12	14947-KT7-013	4106019
	SHIM, TAPPET (2.375)	5 5A	-----	-----	12	14948-KT7-013	4106027
	SHIM, TAPPET (2.400)	5 5A	-----	-----	12	14949-KT7-013	4106035
	SHIM, TAPPET (2.425)	5 5A	-----	-----	12	14950-KT7-013	4106043
	SHIM, TAPPET (2.450)	5 5A	-----	-----	12	14951-KT7-013	4106050
	SHIM, TAPPET (2.475)	5 5A	-----	-----	12	14952-KT7-013	4106068
	SHIM, TAPPET (2.500)	5 5A	-----	-----	12	14953-KT7-013	4106076
	SHIM, TAPPET (2.525)	5 5A	-----	-----	12	14954-KT7-013	4106084
	SHIM, TAPPET (2.550)	5 5A	-----	-----	12	14955-KT7-013	4106092
	SHIM, TAPPET (2.575)	5 5A	-----	-----	12	14956-KT7-013	4106100
	SHIM, TAPPET (2.600)	5 5A	-----	-----	12	14957-KT7-013	4106118
	SHIM, TAPPET (2.625)	5 5A	-----	-----	12	14958-KT7-013	4106126
	SHIM, TAPPET (2.650)	5 5A	-----	-----	12	14959-KT7-013	4106134
	SHIM, TAPPET (2.675)	5 5A	-----	-----	12	14960-KT7-013	4106142

CAMSHAFT • VALVE

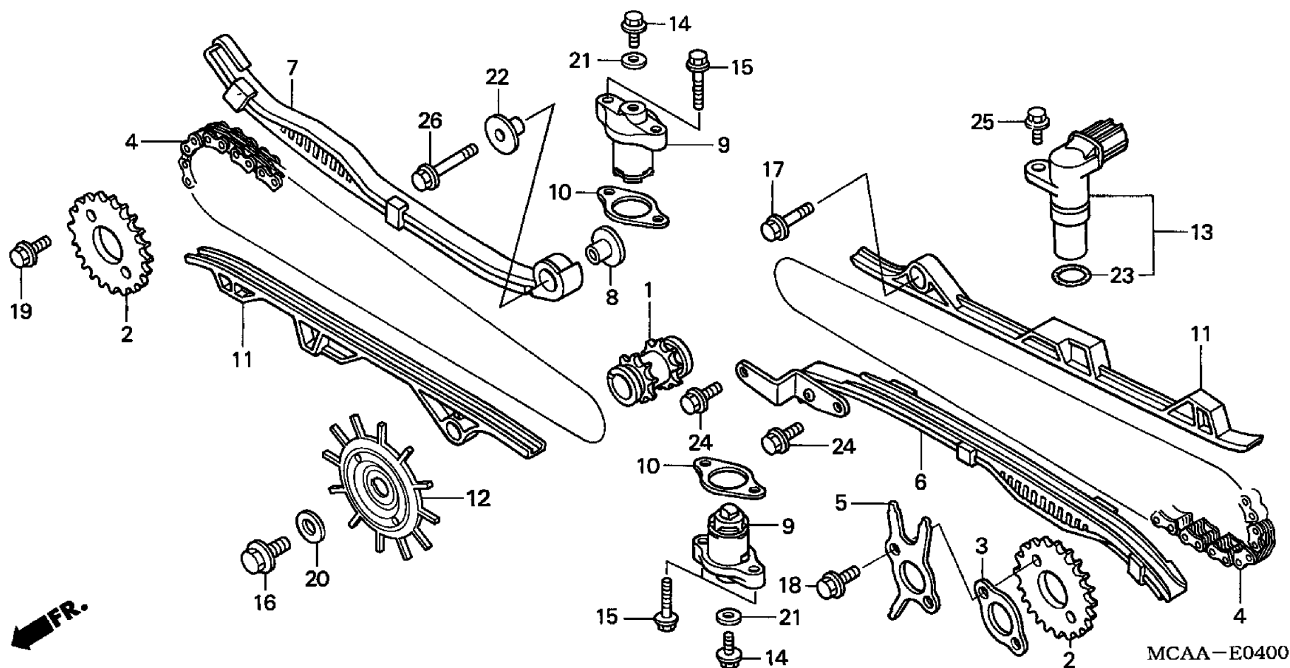
5 =GL1800'05
5A=GL1800A'05

E-3

Engine
Serial Number

Ref	Description	Model	From	To	QTY	Part Number	H/C
11	SHIM, TAPPET (2.700)	5 5A	-----	-----	12	14961-KT7-013	4106159
	SHIM, TAPPET (2.725)	5 5A	-----	-----	12	14962-KT7-013	4106167
	SHIM, TAPPET (2.750)	5 5A	-----	-----	12	14963-KT7-013	4106175
	SHIM, TAPPET (2.775)	5 5A	-----	-----	12	14964-KT7-013	4106183
	SHIM, TAPPET (2.800)	5 5A	-----	-----	12	14965-KT7-013	4106191

CAM CHAIN • TENSIONER



MCAA-E0400

5 =GL1800'05
5A=GL1800A'05

E-4

Engine
Serial Number

Ref	Description	Model	From	To	QTY	Part Number	H/C
1	SPROCKET, TIMING (17T)	5 5A	-----	-----	1	14312-MCA-780	6775704
2	SPROCKET, CAM (34T)	5 5A	-----	-----	2	14321-MCA-780	6775712
3	FLANGE, CAM SPROCKET.....	5 5A	-----	-----	1	14322-MCA-000	6564983
4	CHAIN, CAM (118L) (BORG WARNER)	5 5A	-----	-----	2	14401-MAN-621	6446389
5	ROTOR, CAM PULSE	5 5A	-----	-----	1	14405-MCA-000	6537922
6	TENSIONER PLATE, CAM CHAIN	5 5A	-----	-----	1	14500-MCA-000	6617575
7	TENSIONER, CAM CHAIN.....	5 5A	-----	-----	1	14510-MCA-000	6653927
8	COLLAR, TENSIONER PIVOT.....	5 5A	-----	-----	1	14516-MCA-000	6617583
9	LIFTER ASSY., TENSIONER.....	5 5A	-----	-----	2	14520-MCA-003	6617591
10	GASKET, TENSIONER LIFTER.....	5 5A	-----	-----	2	14560-MY5-851	5710066
11	GUIDE, CAM CHAIN	5 5A	-----	-----	2	14620-MCA-A00	7119191
12	ROTOR, PULSE.....	5 5A	-----	-----	1	30291-MCA-A00	7119241
13	PULSER ASSY., CAM	5 5A	-----	-----	1	36140-MCA-003	6637029
14	BOLT, FLANGE (6X10) (NSHF).....	5 5A	-----	-----	2	90004-GHB-600	4938304
15	BOLT, FLANGE (6X28)	5 5A	-----	-----	4	90006-GHB-680	6397509
16	BOLT, SPECIAL (10X25)	5 5A	-----	-----	1	90013-430-000	0680777
17	BOLT-WASHER (6X12)	5 5A	-----	-----	1	90021-MM5-000	2551760
18	BOLT, FLANGE KNOCK (7X22)	5 5A	-----	-----	2	90086-MCA-000	6621593

CAM CHAIN • TENSIONER

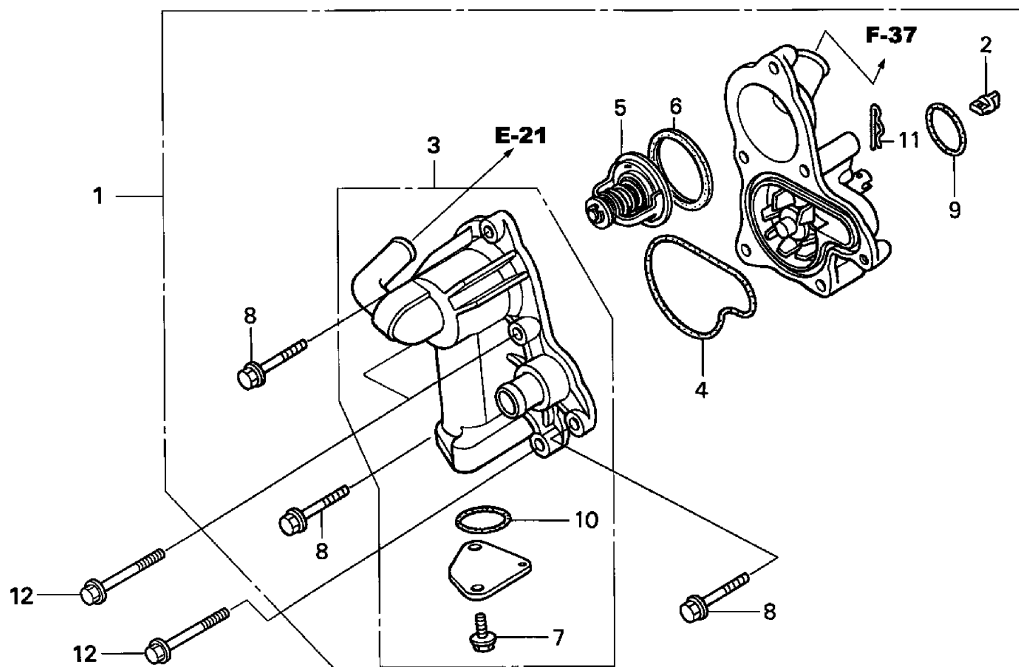
5 =GL1800'05
5A=GL1800A'05

E-4

Engine
Serial Number

Ref	Description	Model	From	To	QTY	Part Number	H/C
19	BOLT, SPECIAL FLANGE (7X13)	5 5A	-----	-----	2	90086-MZ8-H00	5825823
20	WASHER (10.5X27)	5 5A	-----	-----	1	90405-MCA-780	6776850
21	WASHER, SEALING (6MM)	5 5A	-----	-----	2	90442-397-000	0687616
22	WASHER, SHIFT DRUM STOPPER	5 5A	-----	-----	1	90487-MB0-000	1243666
23	O-RING (16X2.1)	5 5A	-----	-----	1	91309-PX4-003	3301793
24	BOLT, FLANGE (6X16)	5 5A	-----	-----	2	95701-06016-08	2105807
25	BOLT, FLANGE (6X18)	5 5A	-----	-----	1	95701-06018-07	2410918
26	BOLT, FLANGE (6X28)	5 5A	-----	-----	1	95801-06028-08	2829596

WATER PUMP



MCAA-E0500

MCAAE0500

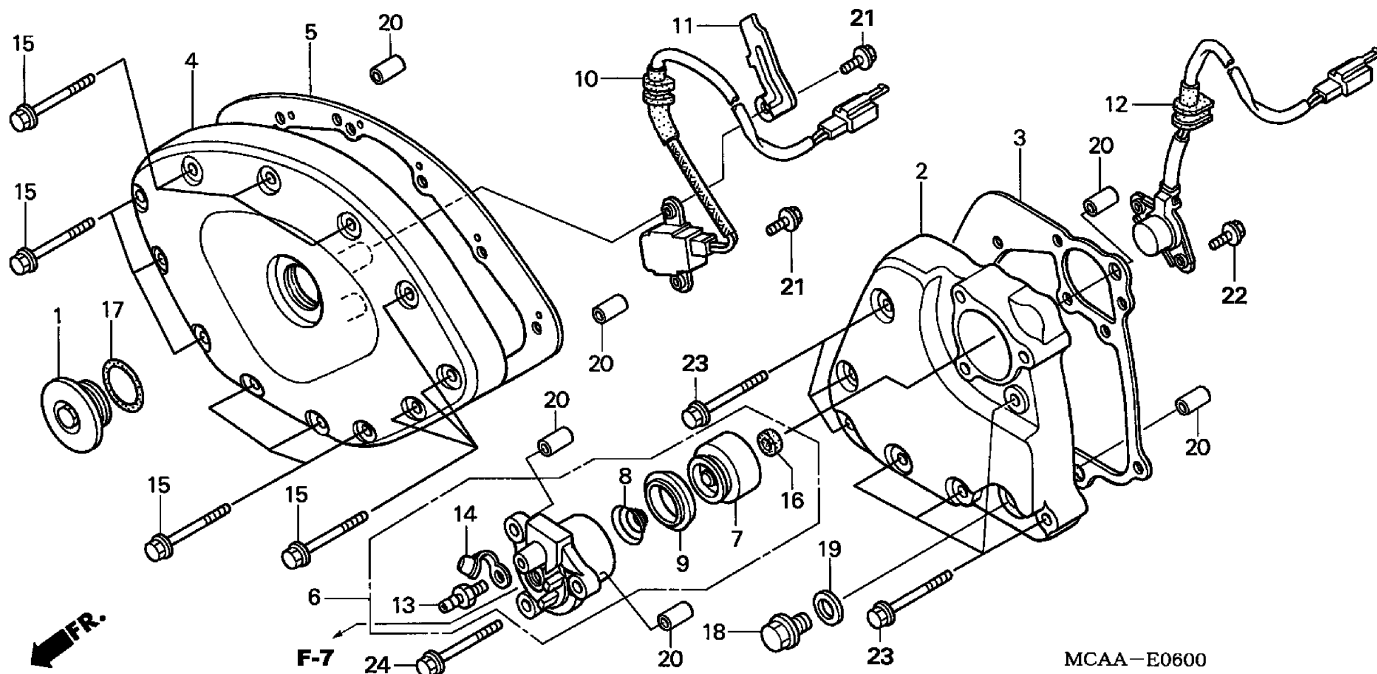
5 =GL1800'05
5A=GL1800A'05

E-5

Engine
Serial Number

Ref	Description	Model	From	To	QTY	Part Number	H/C
1	WATER PUMP	5 5A	-----	-----	1	19200-MCA-A00	7113301
2	SHAFT, WATER PUMP JOINT	5 5A	-----	-----	1	19217-MCA-000	6618250
3	COVER, WATER PUMP.....	5 5A	-----	-----	1	19220-MCA-A00	7113319
4	GASKET, WATER PUMP COVER.....	5 5A	-----	-----	1	19226-MCA-A00	7113327
5	THERMOSTAT (NOT AVAILABLE).....	5 5A	-----	-----	1	19300-P08-014	4446647
	THERMOSTAT ASSY. (NIPPON THERMOSTAT)	5 5A	-----	-----	1	19301-P08-316	4286167
6	RUBBER, THERMOSTAT	5 5A	-----	-----	1	19305-MCA-A00	7113335
7	BOLT, FLANGE (6X12) (CT200)	5 5A	-----	-----	2	90013-883-000	0636845
8	BOLT, FLANGE (6X25)	5 5A	-----	-----	3	90121-MV9-670	3705852
9	O-RING (32.95X2.62) (ARAI).....	5 5A	-----	-----	1	91302-MB0-013	1435114
10	O-RING (31.5X2.0).....	5 5A	-----	-----	1	91304-MCA-A00	7113509
11	PIN, LOCK (12MM).....	5 5A	-----	-----	1	94251-12000	0170308
12	BOLT, FLANGE (6X65)	5 5A	-----	-----	3	95701-06065-08	2602233

FRONT COVER • TRANSMISSION COVER



MCAA-E0600

MCAAE0600

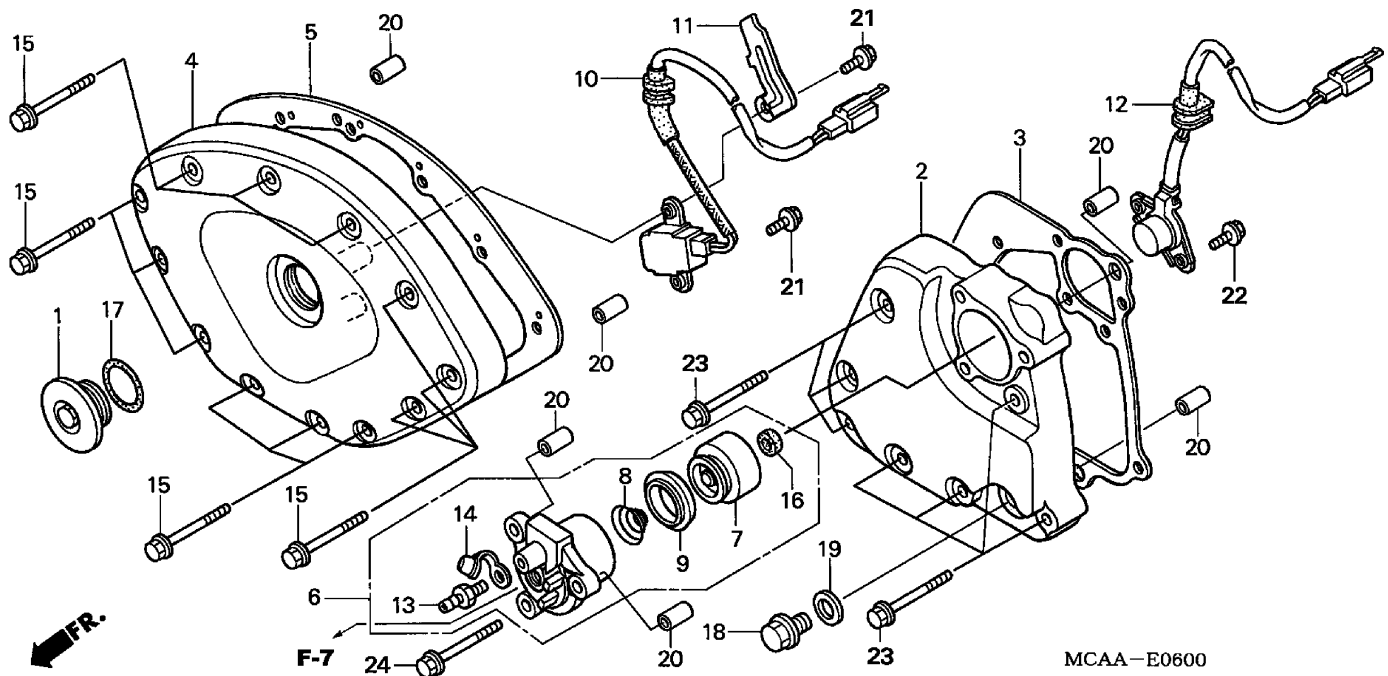
5 =GL1800'05
5A=GL1800A'05

E-6

Engine
Serial Number

Ref	Description	Model	From	To	QTY	Part Number	H/C
1	CAP (45MM).....	5 5A	-----	-----	1	11332-ML7-670	2401800
2	COVER, TRANSMISSION	5 5A	-----	-----	1	11361-MEC-000	7376775
3	GASKET, TRANSMISSION COVER	5 5A	-----	-----	1	11391-MCA-000	6617062
4	COVER, FR.	5 5A	-----	-----	1	11511-MCA-000	6617070
5	GASKET, FR. COVER	5 5A	-----	-----	1	11524-MCA-000	6617088
6	CYLINDER ASSY., CLUTCH SLAVE.....	5 5A	-----	-----	1	22860-MCA-000	6618631
7	PISTON, SLAVE CYLINDER	5 5A	-----	-----	1	22863-MJ8-003	1763416
8	SPRING, SLAVE CYLINDER	5 5A	-----	-----	1	22864-MB0-003	1242635
9	CUP, PISTON.....	5 5A	-----	-----	1	22865-MJ8-003	1763424
10	GENERATOR ASSY., PULSE	5 5A	-----	-----	1	30300-MCA-003	6619217
11	CLIP, PULSER WIRE.....	5 5A	-----	-----	1	32906-MCA-A00	7113350
12	SWITCH ASSY., CHANGE.....	5 5A	-----	-----	1	35759-MCA-003	6619571
13	SCREW, BLEEDER	5 5A	-----	-----	1	43352-HC5-971	4075750
14	CAP, BLEEDER	5 5A	-----	-----	1	43353-461-771	0954230
15	BOLT, FLANGE (6X28)	5 5A	-----	-----	12	90006-GHB-680	6397509
16	OIL SEAL (8X18X5) (NISSIN)	5 5A	-----	-----	1	91209-MB0-003	1243872
17	O-RING (48.1X3.6) (ARAI).....	5 5A	-----	-----	1	91301-ML7-003	2408805
18	BOLT, DRAIN PLUG (14MM).....	5 5A	-----	-----	1	92800-14000	0171777

FRONT COVER • TRANSMISSION COVER



MCAA-E0600

MCAA E0600

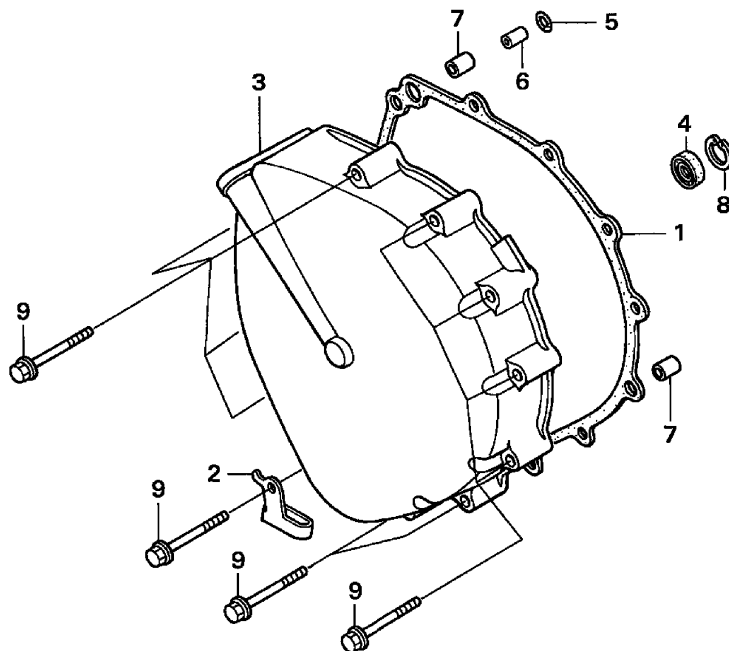
5 =GL1800'05
5A=GL1800A'05

E-6

Engine
Serial Number

Ref	Description	Model	From	To	QTY	Part Number	H/C
19	WASHER, DRAIN PLUG (14MM).....	5 5A	-----	-----	1	94109-14000	0171876
20	PIN A, DOWEL (8X14)	5 5A	-----	-----	6	94301-08140	0069310
21	BOLT, FLANGE (6X14)	5 5A	-----	-----	2	95701-06014-08	2374742
22	BOLT, FLANGE (6X16)	5 5A	-----	-----	2	95701-06016-08	2105807
23	BOLT, FLANGE (6X35)	5 5A	-----	-----	7	95701-06035-00	2105864
24	BOLT, FLANGE (6X45)	5 5A	-----	-----	3	95701-06045-08	2552537

CLUTCH COVER



MCAA-E0700

MCAA0700

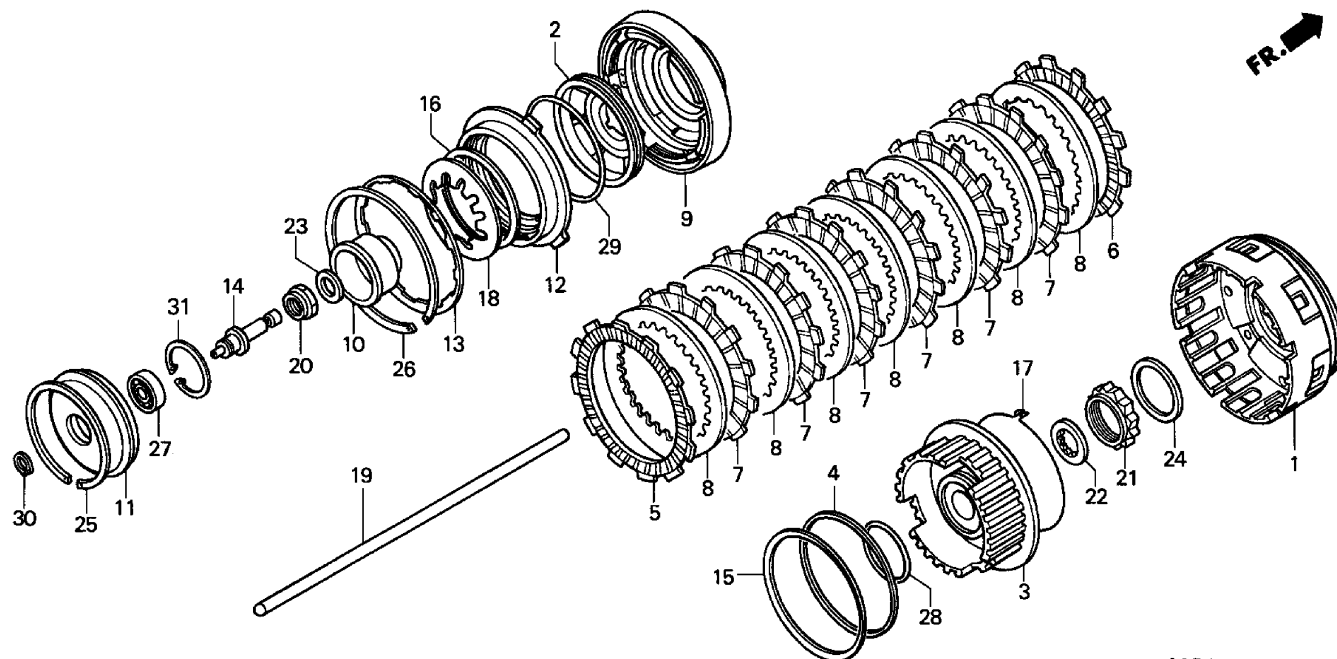
5 =GL1800'05
5A=GL1800A'05

E-7

Engine
Serial Number

Ref	Description	Model	From	To	QTY	Part Number	H/C
1	GASKET, CLUTCH COVER.....	5 5A	-----	-----	1	11351-MCA-000	6617047
2	CLAMP, TUBE	5 5A	-----	-----	1	11354-MCA-780	6775480
3	COVER, CLUTCH	5 5A	-----	-----	1	11370-MEC-000	7376783
4	OIL SEAL (7X18X5) (ARAI)	5 5A	-----	-----	1	91220-MG8-003	2016244
5	O-RING (5.7X2.2) (ARAI)	5 5A	-----	-----	1	91308-MB0-003	1260835
6	PIN A, DOWEL (6X10)	5 5A	-----	-----	1	94301-06100	0294256
7	PIN A, DOWEL (8X14)	5 5A	-----	-----	2	94301-08140	0069310
8	CIRCLIP (INNER) (18MM)	5 5A	-----	-----	1	94520-18000	0192773
9	BOLT, FLANGE (6X38)	5 5A	-----	-----	11	95701-06038-08	3007861

CLUTCH



MCA4- E0801
MCA4E0801

5 =GL1800'05
5A=GL1800A'05

E-8

Engine
Serial Number

Ref	Description	Model	From	To	QTY	Part Number	H/C
1	CLUTCH OUTER	5 5A	-----	-----	1	22100-MCA-780	6773204
2	PISTON, CLUTCH	5 5A	-----	-----	1	22111-MCA-000	6618466
3	CENTER, CLUTCH	5 5A	-----	-----	1	22120-MCA-000	6618474
4	SEAT, JUDDER SPRING.....	5 5A	-----	-----	1	22125-MCA-000	6618482
5	DISK, CLUTCH FRICTION.....	5 5A	-----	-----	1	22201-MCA-000	6618490
6	DISK B, CLUTCH FRICTION	5 5A	-----	-----	1	22202-MAT-000	5213723
7	DISK A, CLUTCH FRICTION	5 5A	-----	-----	6	22203-MCA-000	6618516
8	PLATE, CLUTCH	5 5A	-----	-----	7	22321-MAT-000	5213731
9	PLATE, CLUTCH PRESSURE.....	5 5A	-----	-----	1	22351-MCA-000	6618524
10	GUIDE, SPRING.....	5 5A	-----	-----	1	22352-MCA-000	6618532
11	PLATE, CLUTCH LIFTER	5 5A	-----	-----	1	22353-MCA-000	6618540
12	LIFTER B, CLUTCH	5 5A	-----	-----	1	22354-MCA-000	6618557
13	SPRING, CLUTCH LIFTER	5 5A	-----	-----	1	22355-MCA-000	6618565
14	PIECE, CLUTCH JOINT.....	5 5A	-----	-----	1	22366-MCA-000	6618581
15	SPRING, JUDDER	5 5A	-----	-----	1	22402-MAT-000	5213772
16	SEAT, CLUTCH SPRING.....	5 5A	-----	-----	1	22425-MCA-000	6618599
17	CLIP, CLUTCH CENTER	5 5A	-----	-----	1	22431-MAT-000	5213780
18	SPRING, CLUTCH	5 5A	-----	-----	1	22441-MCA-000	6618607

CLUTCH

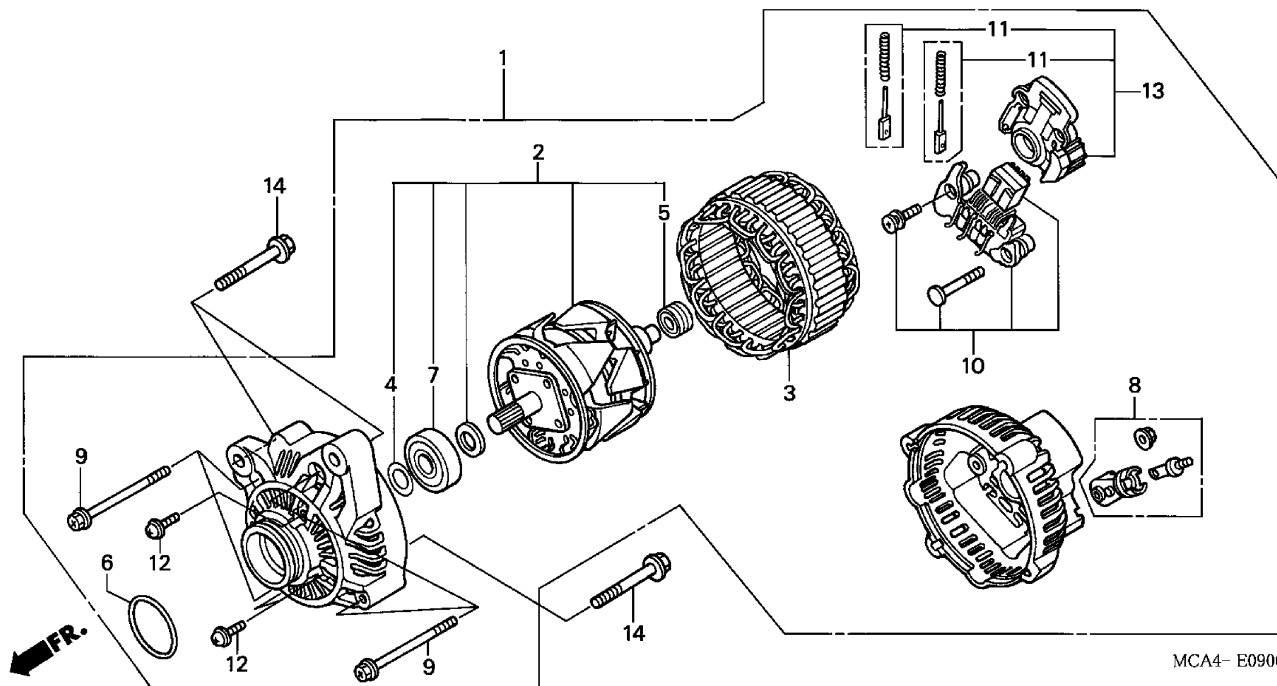
5 =GL1800'05
5A=GL1800A'05

E-8

Engine
Serial Number

Ref	Description	Model	From	To	QTY	Part Number	H/C
19	ROD, CLUTCH LIFTER	5 5A	-----	-----	1	22851-MCA-000	6618623
20	NUT, HEX. (22MM).....	5 5A	-----	-----	1	90206-MZ0-000	5041454
21	NUT, LOCK (40MM).....	5 5A	-----	-----	1	90245-MN5-000	2810968
22	WASHER, SPLINE (25MM)	5 5A	-----	-----	1	90403-MN5-000	2811008
23	WASHER (22X33)	5 5A	-----	-----	1	90407-MJ0-000	1689082
24	WASHER, SPRING (40MM).....	5 5A	-----	-----	1	90491-MN5-000	2811115
25	CIRCLIP (INNER) (95MM)	5 5A	-----	-----	1	90601-MB0-771	1536549
	CIRCLIP (INNER) (95MM)	5 5A	-----	-----	1	90601-MG8-000	2016053
26	RING, SETTING (123MM)	5 5A	-----	-----	1	90602-MG8-000	2016061
27	BEARING, RADIAL BALL (16003)	5 5A	-----	-----	1	91008-KK6-000	2043123
	BEARING, RADIAL BALL (16003)	5 5A	-----	-----	1	91008-362-000	0334854
	BEARING, RADIAL BALL (16003)	5 5A	-----	-----	1	91010-HC0-003	2519544
	BEARING, RADIAL BALL (16003)	5 5A	-----	-----	1	91011-KK6-013	5017322
28	O-RING (51.6X2.3) (ARAI).....	5 5A	-----	-----	1	91301-MG8-003	2016251
29	O-RING (93.3X2.3) (ARAI).....	5 5A	-----	-----	1	91302-MG8-003	2016269
30	CIRCLIP (OUTER) (17MM)	5 5A	-----	-----	1	94510-17000	0169532
31	CIRCLIP (INNER) (35MM)	5 5A	-----	-----	1	94520-35100	2016392

ALTERNATOR



MCA4E0900

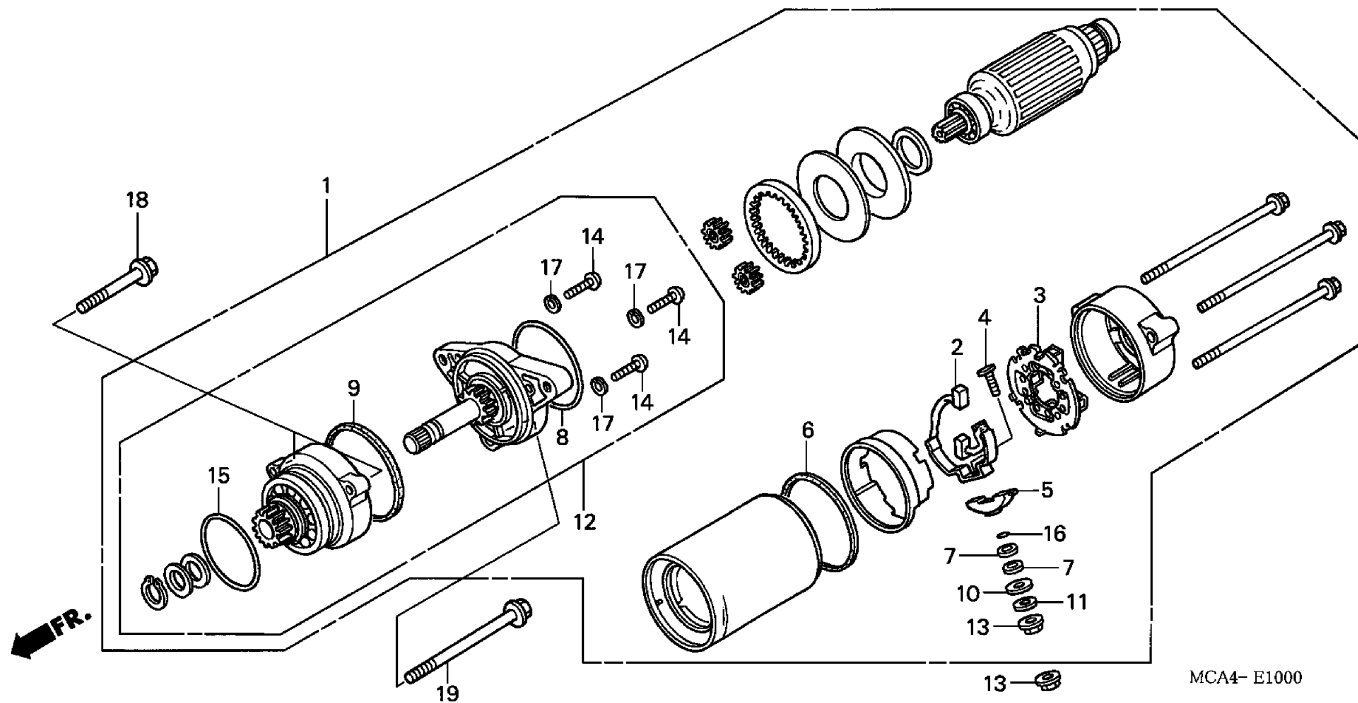
5 =GL1800'05
5A=GL1800A'05

E-9

Engine
Serial Number

Ref	Description	Model	From	To	QTY	Part Number	H/C
1	ALTERNATOR ASSY.	5 5A	-----	-----	1	31100-MCA-A40	7796220
2	ROTOR SET.....	5 5A	-----	-----	1	31101-MCA-003	6636922
3	STATOR.....	5 5A	-----	-----	1	31102-MCA-700	6715882
4	SEAL SET	5 5A	-----	-----	1	31111-MCA-003	6636930
5	BEARING, RR.	5 5A	-----	-----	1	31111-P08-J02	4318101
6	O-RING.....	5 5A	-----	-----	1	31112-MCA-003	6636948
7	BEARING, FR.	5 5A	-----	-----	1	31114-MCA-003	6652689
8	TERMINAL SET	5 5A	-----	-----	1	31123-MCA-003	6636955
9	BOLT, FLANGE	5 5A	-----	-----	4	31125-P08-J02	4318135
10	RECTIFIER ASSY.....	5 5A	-----	-----	1	31127-PEJ-A01	5999636
11	BRUSH SET	5 5A	-----	-----	2	31140-P64-902	5339502
12	SCREW	5 5A	-----	-----	4	31146-PE0-004	2779775
13	REGULATOR SET	5 5A	-----	-----	1	31150-MCA-A40	7841463
14	BOLT, FLANGE (8X38)	5 5A	-----	-----	3	95701-08038-08	2829562

STARTING MOTOR



MCA4- E1000

MCA4E1000

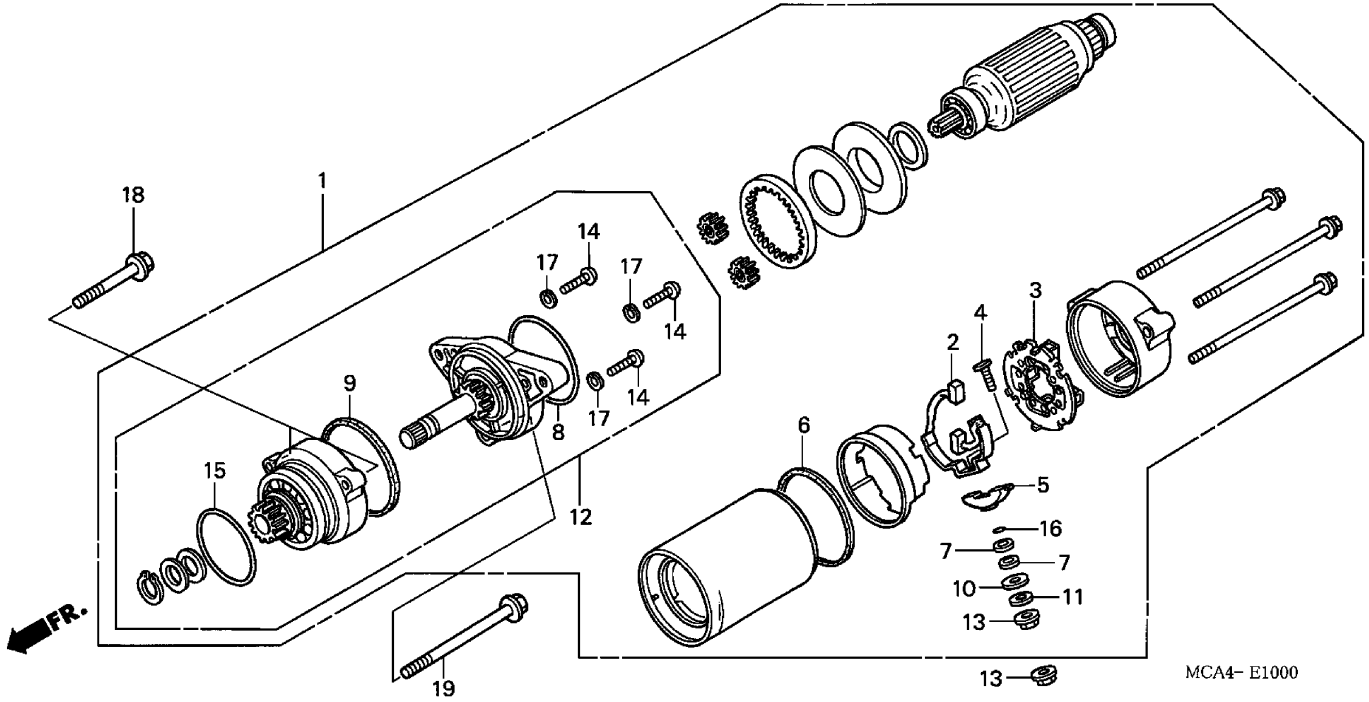
5 =GL1800'05
5A=GL1800A'05

E-10

Engine
Serial Number

Ref	Description	Model	From	To	QTY	Part Number	H/C
1	MOTOR ASSY., STARTER	5 5A	-----	-----	1	31200-MCA-003	6619316
2	BRUSH SET, TERMINAL	5 5A	-----	-----	1	31201-MT8-008	3356599
3	HOLDER SET, BRUSH	5 5A	-----	-----	1	31203-MT8-008	3356615
4	BOLT, TERMINAL	5 5A	-----	-----	1	31204-MN5-008	2805760
5	INSULATOR, TERMINAL	5 5A	-----	-----	1	31206-MN5-008	2805786
6	RING.....	5 5A	-----	-----	1	31207-KS5-901	2541985
7	WASHER, INSULATOR	5 5A	-----	-----	2	31207-MN5-008	2805794
8	RING, SEAL	5 5A	-----	-----	2	31207-179-711	1063858
9	RING.....	5 5A	-----	-----	1	31208-MG9-004	1542166
10	WASHER, INSULATOR	5 5A	-----	-----	1	31208-MN5-008	2805802
11	WASHER (6MM).....	5 5A	-----	-----	1	31209-MN5-008	2805810
12	GEAR ASSY.	5 5A	-----	-----	1	31210-MZ0-008	6653992
13	NUT-WASHER (6MM)	5 5A	-----	-----	2	90071-MB0-000	1243534
14	BOLT (5X39)	5 5A	-----	-----	3	91001-MN5-008	2811263
15	O-RING (59.6X2.4).....	5 5A	-----	-----	1	91309-MN5-008	2811529
16	O-RING.....	5 5A	-----	-----	1	91320-MB0-000	1292184
17	WASHER, SPRING (5MM).....	5 5A	-----	-----	3	94111-05000	0058966
18	BOLT, FLANGE (8X38)	5 5A	-----	-----	2	95701-08038-08	2829562

STARTING MOTOR



MCA4- E1000

MCA4E1000

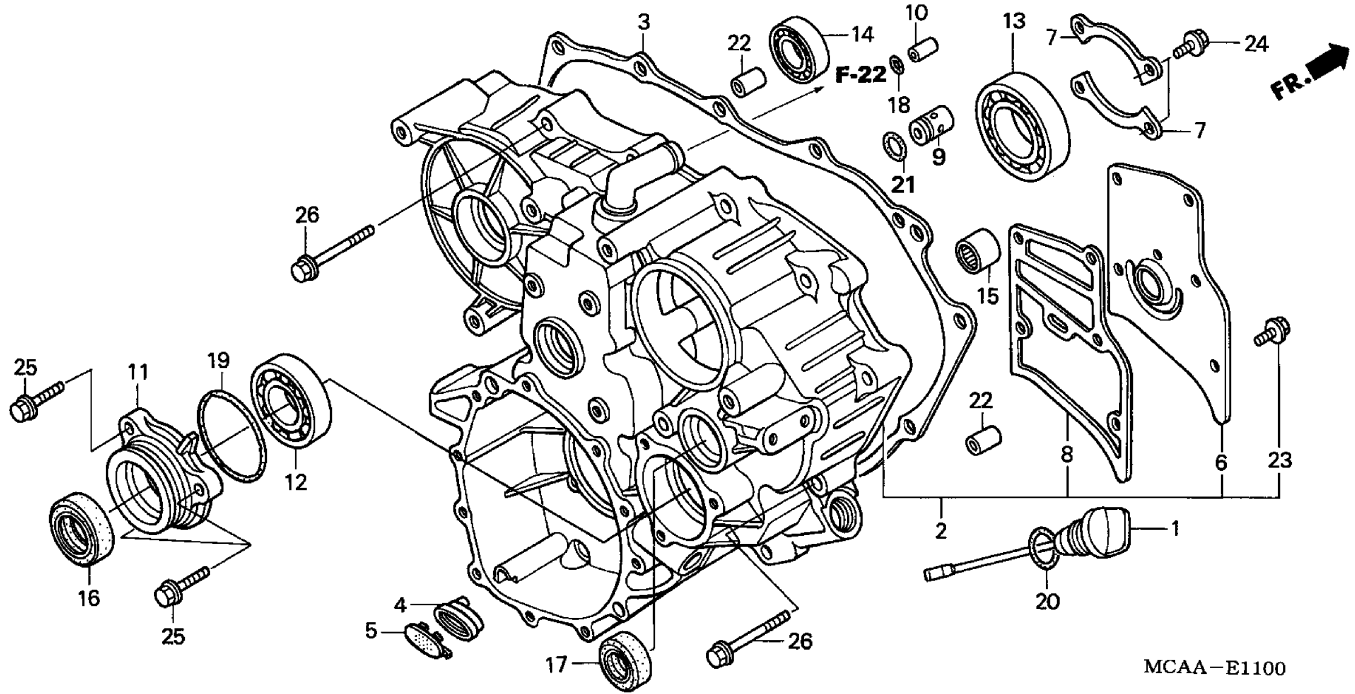
5 =GL1800'05
5A=GL1800A'05

E-10

Engine
Serial Number

Ref	Description	Model	From	To	QTY	Part Number	H/C
19	BOLT, FLANGE (8X60)	5 5A	-----	-----	1	95701-08060-08	2488526

REAR CASE



MCAA-E1100

MCAAE1100

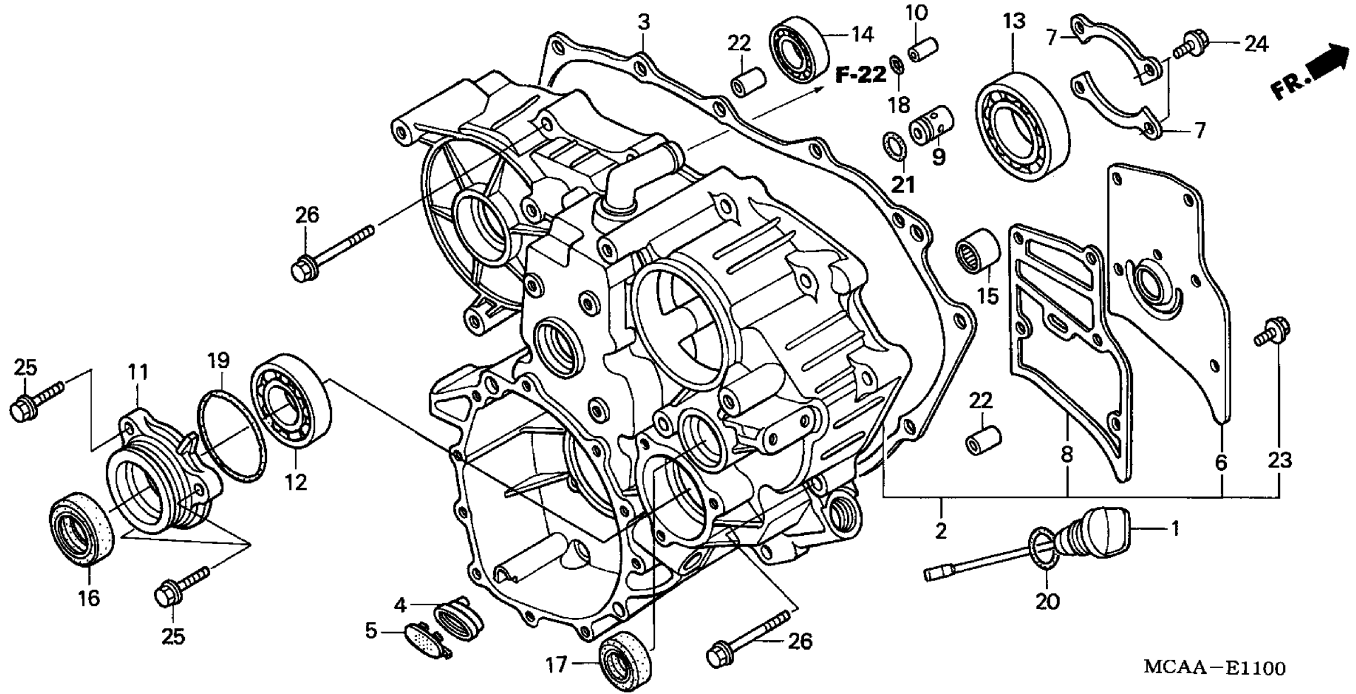
5 =GL1800'05
5A=GL1800A'05

E-11

Engine
Serial Number

Ref	Description	Model	From	To	QTY	Part Number	H/C
1	DIPSTICK, OIL	5 5A	-----	-----	1	15650-MCA-010	6617724
2	CASE ASSY., RR. DIFFERENTIAL	5 5A	-----	-----	1	21100-MCA-A20	7527773
3	GASKET, RR. CASE	5 5A	-----	-----	1	21112-MCA-000	6618425
4	BODY, SCAVENGE OIL PUMP STRAINER	5 5A	-----	-----	1	21116-MCA-780	6776058
5	CAP, SCAVENGE OIL PUMP STRAINER..	5 5A	-----	-----	1	21117-MCA-780	6776066
6	PLATE, BREATHER.....	5 5A	-----	-----	1	21120-MEC-000	7376742
7	PLATE, PRIMARY BEARING SETTING	5 5A	-----	-----	2	21122-MN5-000	2804656
8	GASKET, BREATHER PLATE	5 5A	-----	-----	1	21125-MEC-003	7412265
9	VALVE ASSY., CLUTCH REGULATOR.....	5 5A	-----	-----	1	22360-MEC-000	7412273
10	ORIFICE, CLUTCH CONTROL	5 5A	-----	-----	1	22465-MCA-000	6618615
11	HOLDER, FINAL SHAFT BEARING.....	5 5A	-----	-----	1	23751-MN5-000	2805059
12	BEARING, RADIAL BALL (6010) (NTN CORP.).....	5 5A	-----	-----	1	91002-MN5-003	2811271
13	BEARING, RADIAL BALL (6206) (NTN CORP.).....	5 5A	-----	-----	1	91006-MT3-003	3488103
	BEARING, RADIAL BALL (6206) (TOYO) ..	5 5A	-----	-----	1	91011-MN5-003	2811354
14	BEARING, RADIAL BALL (6905)	5 5A	-----	-----	1	91015-MCA-003	6622302
15	BEARING, NEEDLE (12X16X10).....	5 5A	-----	-----	1	91024-GJ5-003	1706282

REAR CASE



MCAA-E1100

MCAAE1100

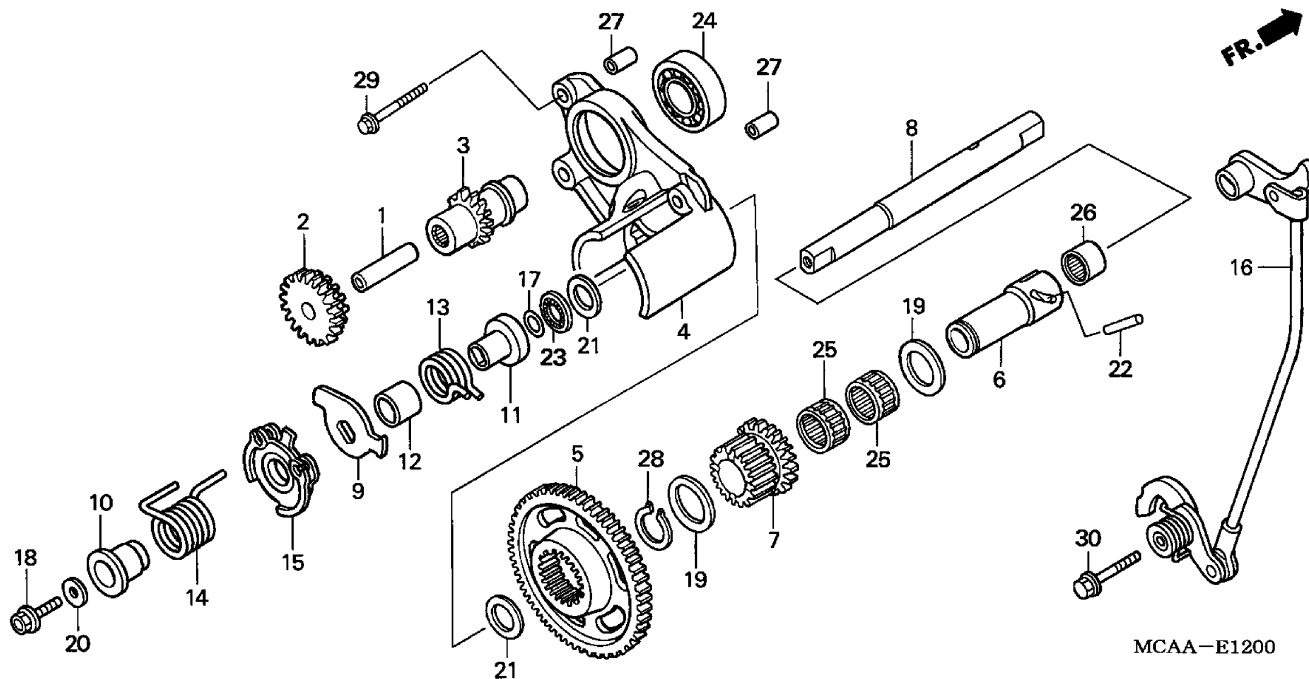
5 =GL1800'05
5A=GL1800A'05

E-11

Engine
Serial Number

Ref	Description	Model	From	To	QTY	Part Number	H/C
16	OIL SEAL (28X48X9) (NOK)	5 5A	-----	-----	1	91204-MN5-005	2811479
17	OIL SEAL (27X34X5)	5 5A	-----	-----	1	91208-MN5-003	2811487
18	O-RING B (6.8X2.5) (ARAI)	5 5A	-----	-----	1	91304-MC7-003	1213206
19	O-RING (63X3) (ARAI).....	5 5A	-----	-----	1	91304-MN5-003	2811503
	O-RING (62.4X3.1).....	5 5A	-----	-----	1	91316-PT6-003	3611829
20	O-RING (18X3).....	5 5A	-----	-----	1	91307-035-000	0174961
21	O-RING (14.7X2.2) (ARAI).....	5 5A	-----	-----	1	91313-MB0-003	1260868
	O-RING (14.8X2.2).....	5 5A	-----	-----	1	91313-MG7-004	3353620
22	PIN A, DOWEL (10X16).....	5 5A	-----	-----	2	94301-10160	0058206
23	BOLT, FLANGE (6X12)	5 5A	-----	-----	5	95701-06012-08	2170793
24	BOLT, FLANGE (6X16)	5 5A	-----	-----	4	95701-06016-08	2105807
25	BOLT, FLANGE (8X28)	5 5A	-----	-----	3	95701-08028-08	2488518
26	BOLT, FLANGE (8X45)	5 5A	-----	-----	16	95701-08045-08	2602258

REVERSE GEAR



MCAA-E1200

MCAAE1200

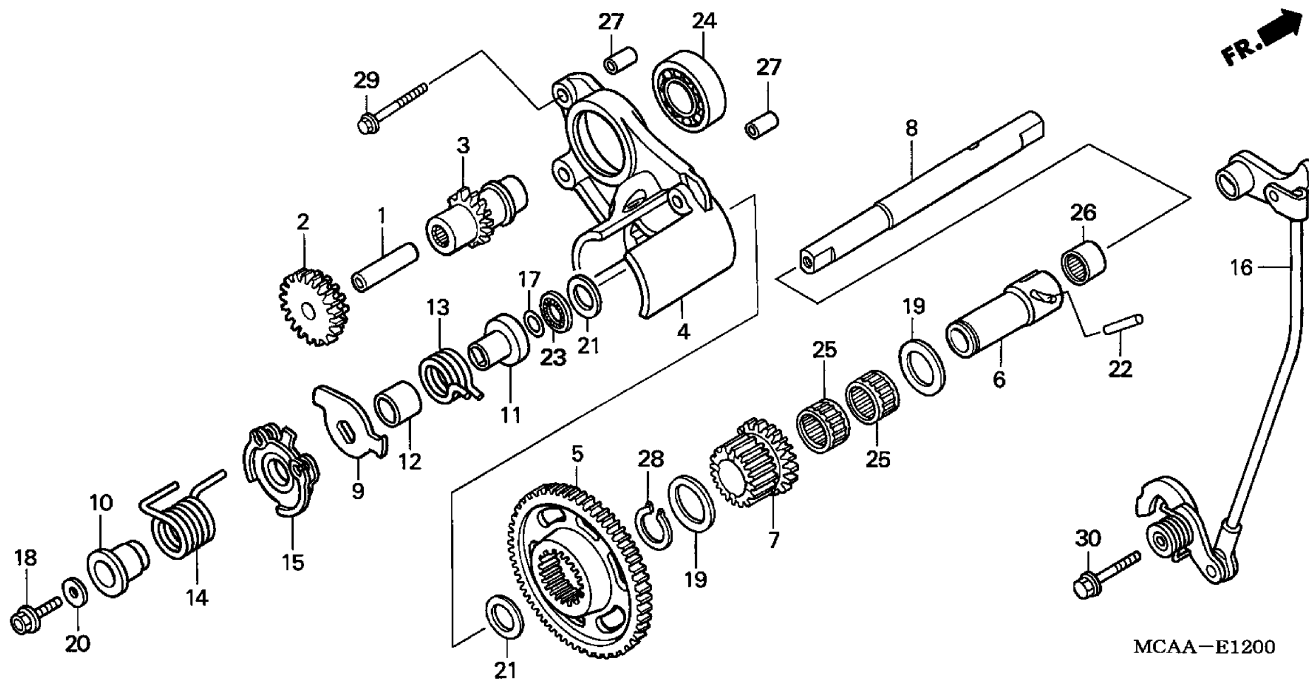
5 =GL1800'05
5A=GL1800A'05

E-12

Engine
Serial Number

Ref	Description	Model	From	To	QTY	Part Number	H/C
1	PIN, PISTON	5 5A	-----	-----	1	13111-892-000	0864967
2	GEAR, STARTER REDUCTION (17/18T) ..	5 5A	-----	-----	1	28106-MCA-000	6619084
3	GEAR, STARTER DRIVE (11T).....	5 5A	-----	-----	1	28141-MCA-000	6619100
4	HOLDER, STARTER DRIVE GEAR.....	5 5A	-----	-----	1	28150-MCA-000	6619118
5	GEAR, REVERSE IDLE (46T)	5 5A	-----	-----	1	28162-MN5-000	2805406
6	SHIFTER, REVERSE	5 5A	-----	-----	1	28165-MN5-000	2805414
7	GEAR, REVERSE SHIFT (18T).....	5 5A	-----	-----	1	28171-MN5-000	2805422
8	SHAFT, REVERSE SHIFTER	5 5A	-----	-----	1	28211-MN5-000	2805448
9	PLATE, LOST MOTION	5 5A	-----	-----	1	28215-MCA-000	6619142
10	COLLAR, LOST MOTION SPRING	5 5A	-----	-----	1	28218-MCA-000	6619159
11	COLLAR, REVERSE LEVER SPRING.....	5 5A	-----	-----	1	28219-MN5-010	3042207
12	BUSH, REVERSE SPRING	5 5A	-----	-----	1	28221-MN5-000	3356391
13	SPRING, REVERSE LEVER	5 5A	-----	-----	1	28224-MCA-000	6619167
14	SPRING, LOST MOTION	5 5A	-----	-----	1	28226-MCA-000	6619175
15	DRUM, REVERSE	5 5A	-----	-----	1	28241-MCA-A00	7113343
16	ARM, SHIFT DRUM LOCK.....	5 5A	-----	-----	1	28250-MCA-000	6619191
17	O-RING (11.8X2.4).....	5 5A	-----	-----	1	51996-SA5-800	1266147
18	BOLT, FLANGE (6X20)	5 5A	-----	-----	1	90014-MN5-000	2810620

REVERSE GEAR



MCAA-E1200

MCAAE1200

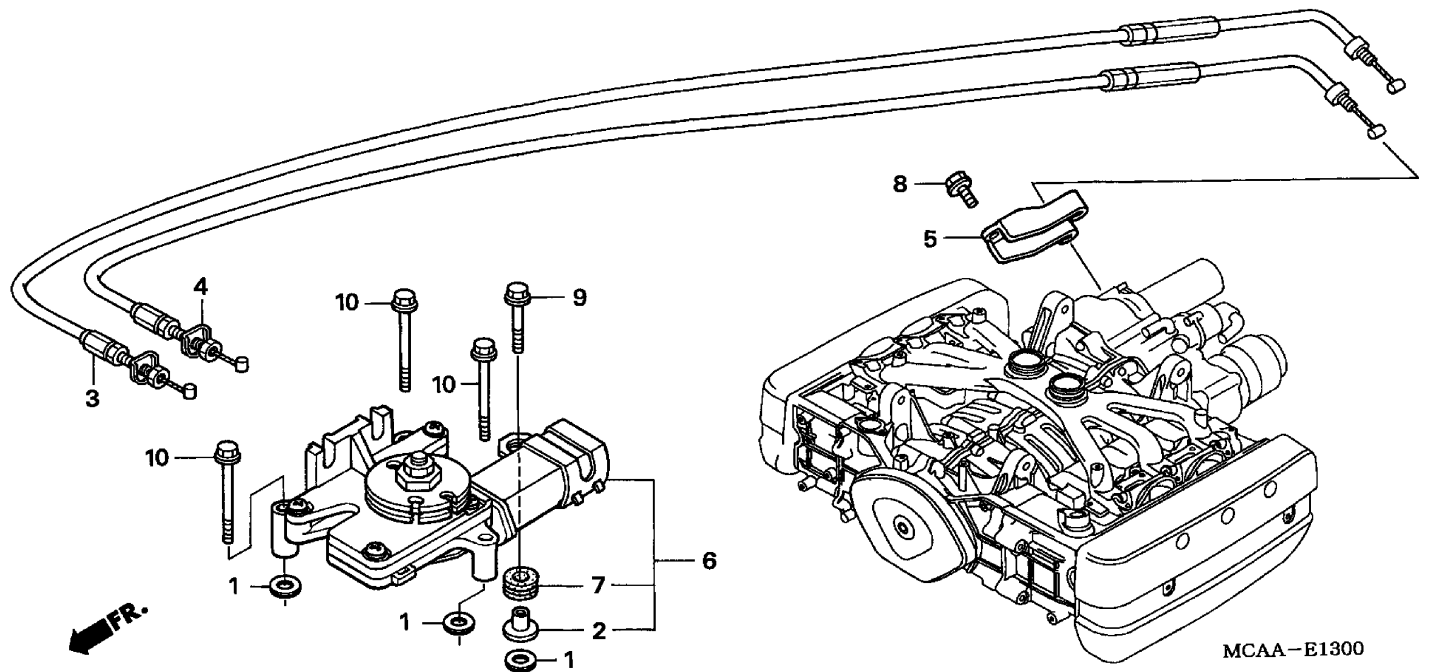
5 =GL1800'05
5A=GL1800A'05

E-12

Engine
Serial Number

Ref	Description	Model	From	To	QTY	Part Number	H/C
19	WASHER B, THRUST (30X1.7)	5 5A	-----	-----	2	90409-ML4-610	2332047
20	WASHER (6MM).....	5 5A	-----	-----	1	90485-VM0-000	1777457
21	WASHER (12.2X23X1.6)	5 5A	-----	-----	2	90492-MN5-000	2811123
22	ROLLER (5X25)	5 5A	-----	-----	1	90702-MN5-000	2811214
23	BEARING, NEEDLE (12MM) (TOMUSON)	5 5A	-----	-----	1	91001-147-006	0465625
24	BEARING, RADIAL BALL (6904) (NTN CORP.).....	5 5A	-----	-----	1	91007-MN5-003	2811321
25	BEARING, NEEDLE (20X24X17)	5 5A	-----	-----	2	91051-727-000	3056900
26	BEARING, NEEDLE	5 5A	-----	-----	1	91101-121-691	1794379
27	PIN A, DOWEL (8X14).....	5 5A	-----	-----	2	94301-08140	0069310
28	CIRCLIP (OUTER) (20MM)	5 5A	-----	-----	1	94510-20000	0053629
29	BOLT, FLANGE (6X32)	5 5A	-----	-----	3	95701-06032-08	2581361
30	BOLT, FLANGE (6X28)	5 5A	-----	-----	1	95801-06028-08	2829596

REVERSE SHIFT ACTUATOR



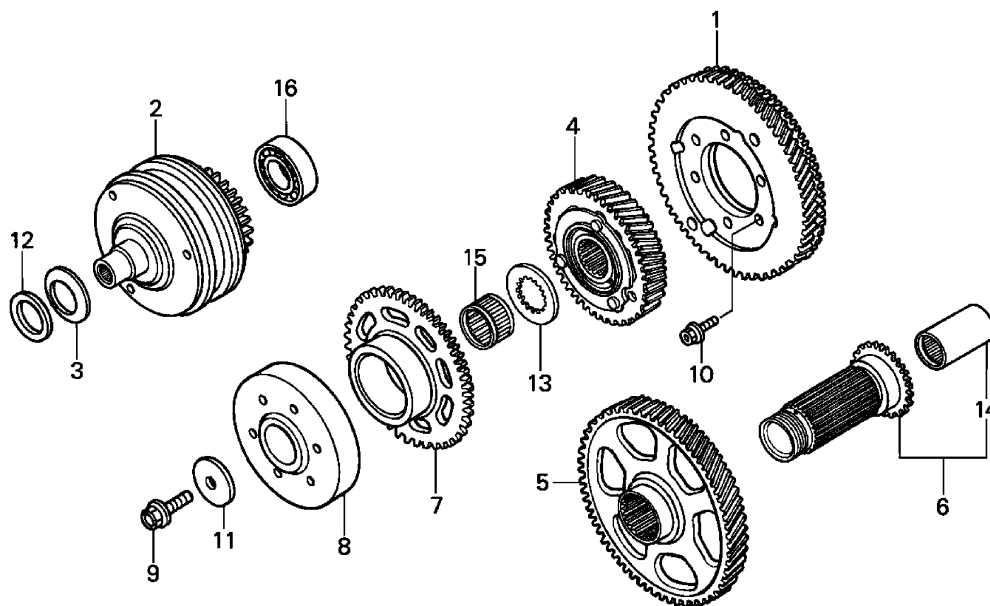
5 =GL1800'05
5A=GL1800A'05

E-13

Engine
Serial Number

Ref	Description	Model	From	To	QTY	Part Number	H/C
1	GASKET, PROTECTOR.....	5 5A	-----	-----	4	18293-MCA-780	6775928
2	COLLAR, CANISTER MOUNT.....	5 5A	-----	-----	1	19052-MB4-880	1781517
3	CABLE, REVERSE.....	5 5A	-----	-----	1	24810-MCA-000	6619068
4	CABLE, NEUTRAL.....	5 5A	-----	-----	1	24820-MCA-000	6619076
5	PLATE, REVERSE CABLE HOLDER	5 5A	-----	-----	1	28214-MCA-000	6619134
6	ACTUATOR ASSY., REVERSE SHIFT	5 5A	-----	-----	1	36800-MCA-671	6537161
7	RUBBER, RR. FENDER CUSHION.....	5 5A	-----	-----	1	80101-310-000	0113449
8	BOLT, FLANGE (6X16)	5 5A	-----	-----	2	95701-06016-08	2105807
9	BOLT, FLANGE (6X22)	5 5A	-----	-----	1	95701-06022-08	2129682
10	BOLT, FLANGE (6X45)	5 5A	-----	-----	3	95701-06045-08	2552537

PRIMARY DRIVE GEAR



MCA4- E1400

MCA4E1400

5 =GL1800'05
5A=GL1800A'05

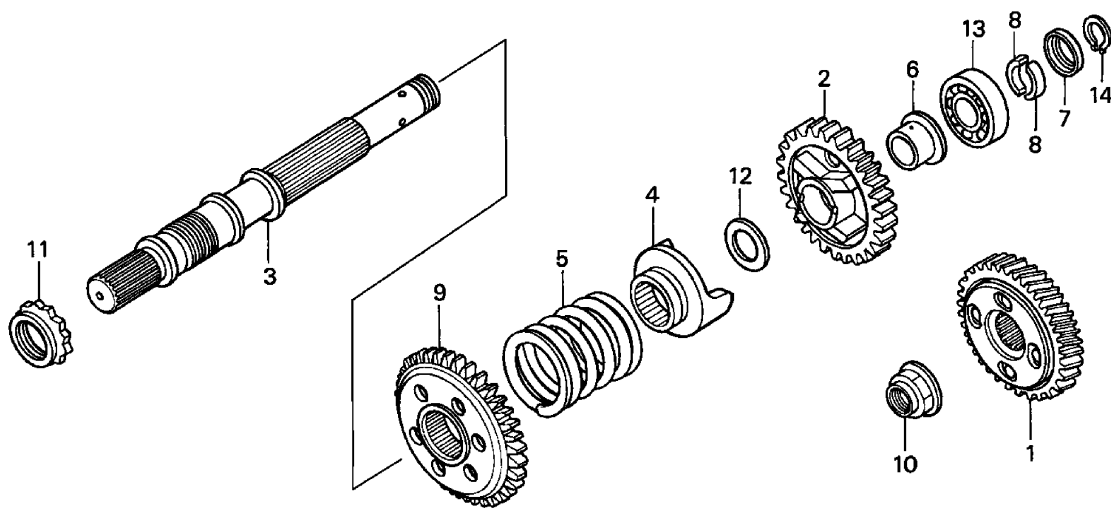
E-14

Engine
Serial Number

Ref	Description	Model	From	To	QTY	Part Number	H/C
1	GEAR, ALTERNATOR DRIVE (72T)	5 5A	-----	-----	1	13320-MCA-780	6775654
2	GEAR ASSY., ALTERNATOR DRIVEN (28T).....	5 5A	-----	-----	1	13430-MCA-780	6775662
3	SPRING, THRUST	5 5A	-----	-----	1	13534-MCA-000	6617526
4	GEAR, PRIMARY DRIVE (49T)	5 5A	-----	-----	1	23110-MN5-010	3523248
5	GEAR, PRIMARY DRIVEN (78T)	5 5A	-----	-----	1	23121-MCA-000	6618649
6	BOSS, PRIMARY DRIVEN GEAR	5 5A	-----	-----	1	23130-MCA-000	6618656
7	GEAR, STARTING DRIVEN (46T)	5 5A	-----	-----	1	28110-MCA-000	6619092
8	CLUTCH OUTER, STARTER.....	5 5A	-----	-----	1	28125-MN5-014	5044995
9	BOLT, UBS (12X30).....	5 5A	-----	-----	1	90005-MCA-000	6621528
10	BOLT, HEX. (8X25)	5 5A	-----	-----	6	90108-KV3-000	6621627
11	WASHER (12.2X39X4).....	5 5A	-----	-----	1	90402-MCA-A01	7218407
12	WASHER, THRUST (25MM)	5 5A	-----	-----	1	90456-MA6-000	1395482
13	WASHER, SPLINE (28MM)	5 5A	-----	-----	1	90493-MN5-000	2811131
14	BEARING, NEEDLE (28X35X60).....	5 5A	-----	-----	1	91024-MN5-003	2829257
15	BEARING, NEEDLE (36X41X18.3)	5 5A	-----	-----	1	91027-MCA-003	6622310
16	BEARING, RADIAL BALL (6004R).....	5 5A	-----	-----	1	96140-60040-00	0844134

FINAL SHAFT

FR.



MCA4- B1500

MCA4E1500

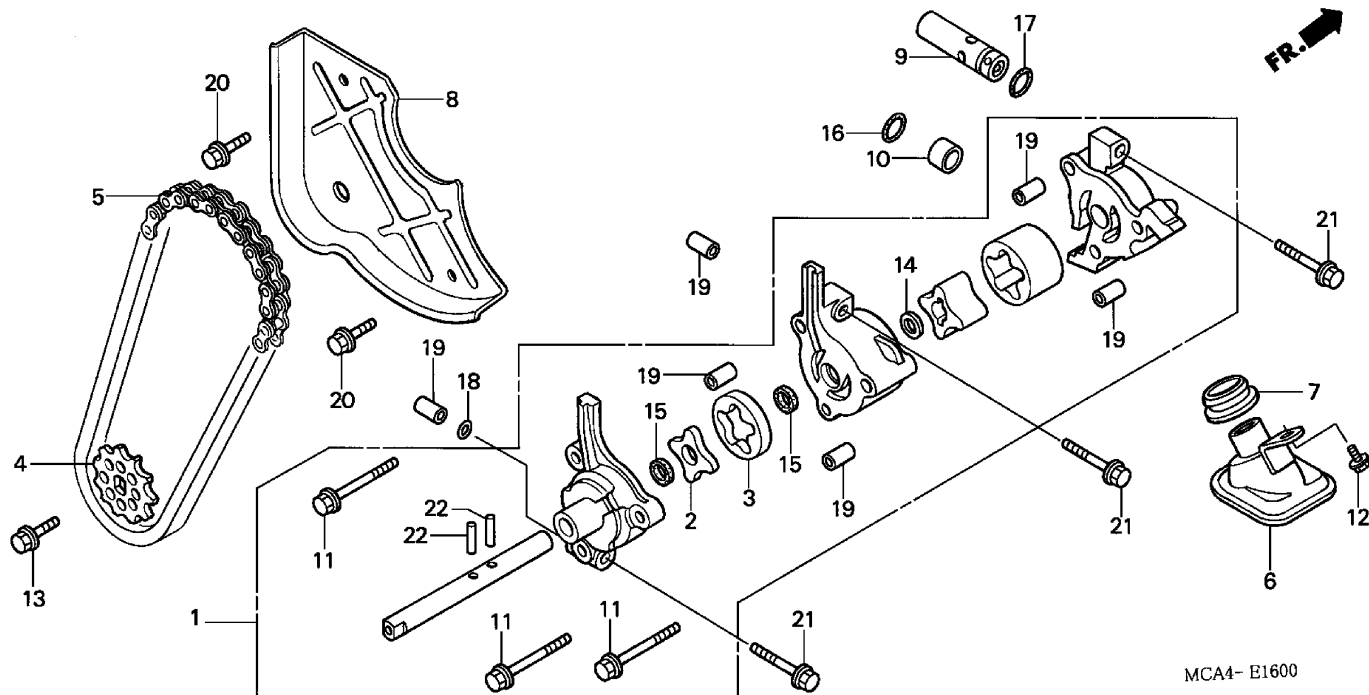
5 =GL1800'05
5A=GL1800A'05

E-15

Engine
Serial Number

Ref	Description	Model	From	To	QTY	Part Number	H/C
1	GEAR, FINAL DRIVE (35T)	5 5A	-----	-----	1	23500-MCA-A20	7544562
2	GEAR, FINAL DRIVEN (36T)	5 5A	-----	-----	1	23521-MCA-000	6618862
3	SHAFT, FINAL GEAR.....	5 5A	-----	-----	1	23611-MCA-780	6776108
4	LIFTER, FINAL DAMPER.....	5 5A	-----	-----	1	23721-MCA-780	6776116
5	SPRING, FINAL DAMPER.....	5 5A	-----	-----	1	23732-MCA-000	6618896
6	COLLAR (22X26X27.6)	5 5A	-----	-----	1	23733-MN5-000	2805026
7	RETAINER, FINAL SHAFT.....	5 5A	-----	-----	1	23741-MN5-000	2805034
8	WASHER, SPRING STOPPER	5 5A	-----	-----	2	23742-MN5-000	2805042
9	GEAR, REVERSE DRIVEN (45T)	5 5A	-----	-----	1	28178-MCA-000	6619126
10	NUT, SPECIAL (22MM)	5 5A	-----	-----	1	90205-MCA-780	6776843
11	NUT, LOCK (30MM)	5 5A	-----	-----	1	90241-MB0-000	1243559
12	WASHER (22.2X35.2.6).....	5 5A	-----	-----	1	90498-MN5-000	2811164
13	BEARING, RADIAL BALL (22X52X15).....	5 5A	-----	-----	1	91003-MCA-003	6622278
14	CIRCLIP (OUTER) (22MM)	5 5A	-----	-----	1	94510-22000	0128157

OIL PUMP



MCA4- E1600

MCA4E1600

5 =GL1800'05
5A=GL1800A'05

E-16

Engine
Serial Number

Ref	Description	Model	From	To	QTY	Part Number	H/C
1	PUMP ASSY., OIL	5 5A	-----	-----	1	15110-MCA-000	6617666
2	ROTOR (INNER)	5 5A	-----	-----	1	15121-MG3-000	1443449
3	ROTOR (OUTER).....	5 5A	-----	-----	1	15122-MG3-000	1443456
4	SPROCKET, OIL PUMP DRIVEN (22T).....	5 5A	-----	-----	1	15134-MCA-000	6617674
5	CHAIN, OIL PUMP (DID25H-54L) (DAIDO)	5 5A	-----	-----	1	15135-MCA-003	6617682
6	STRAINER, OIL	5 5A	-----	-----	1	15153-MCA-000	6617690
7	GASKET, OIL STRAINER	5 5A	-----	-----	1	15154-MM5-000	2547255
8	GUIDE, OIL PUMP CHAIN.....	5 5A	-----	-----	1	15171-MCA-000	6539647
9	VALVE ASSY., RELIEF	5 5A	-----	-----	1	15220-MY9-000	5710116
10	COLLAR (16X18X10).....	5 5A	-----	-----	1	15326-KBV-000	5361597
11	BOLT, FLANGE (6X60)	5 5A	-----	-----	3	90011-MW3-601	4583860
12	BOLT, FLANGE (6X14)	5 5A	-----	-----	1	90014-952-000	0803619
13	BOLT-WASHER (6X12)	5 5A	-----	-----	1	90021-MM5-000	2551760
14	WASHER, THRUST (11MM)	5 5A	-----	-----	1	90456-333-000	0440362
15	OIL SEAL (11X15X3) (KOYO)	5 5A	-----	-----	2	91208-MM1-771	3202363
16	O-RING (18X3) (ARAI).....	5 5A	-----	-----	1	91302-KE8-003	2890754
17	O-RING (14.7X2.2) (ARAI).....	5 5A	-----	-----	1	91313-MB0-003	1260868
	O-RING (14.8X2.2).....	5 5A	-----	-----	1	91313-MG7-004	3353620

OIL PUMP

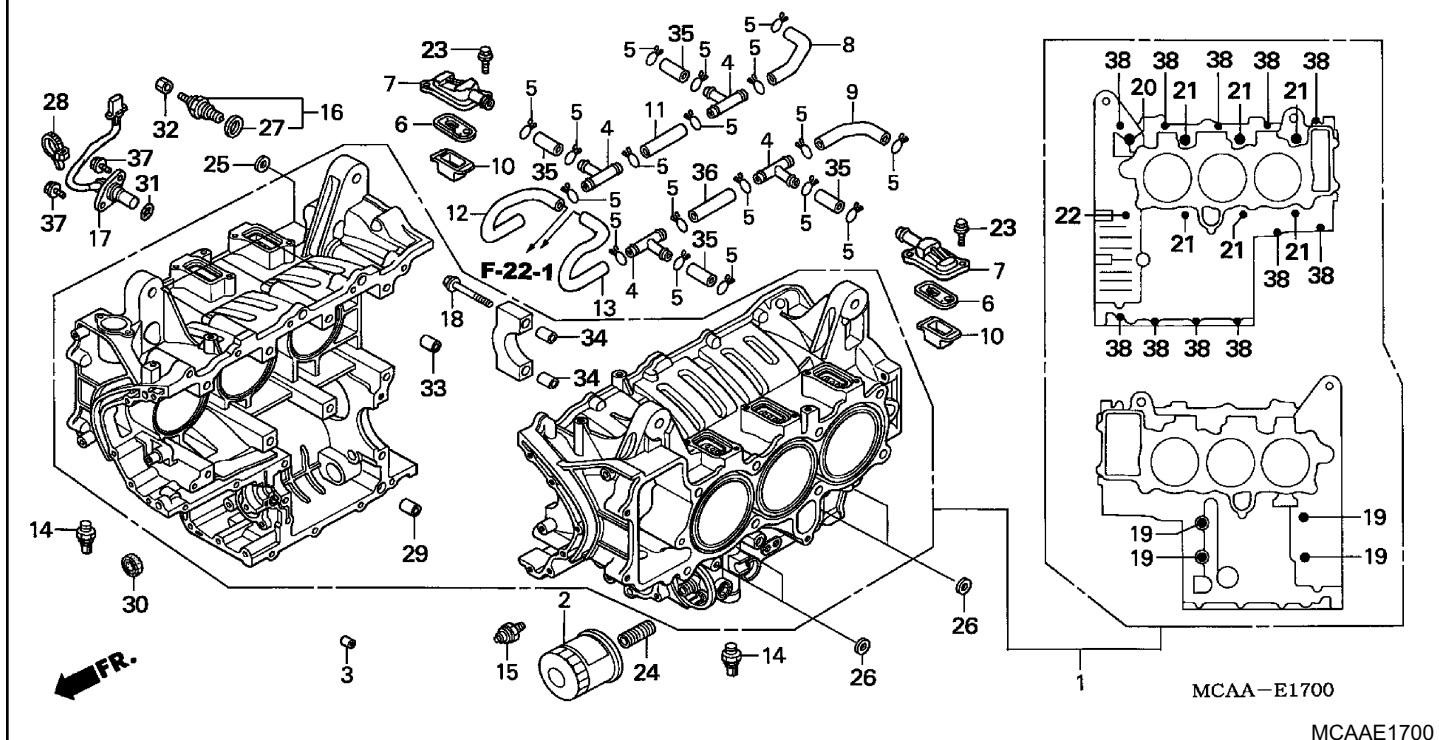
5 =GL1800'05
5A=GL1800A'05

E-16

Engine
Serial Number

Ref	Description	Model	From	To	QTY	Part Number	H/C
18	O-RING (7.8X1.9) (NOK)	5 5A	-----	-----	1	91352-SA5-952	1171297
19	PIN A, DOWEL (8X14)	5 5A	-----	-----	6	94301-08140	0069310
20	BOLT, FLANGE (6X16)	5 5A	-----	-----	2	95701-06016-08	2105807
21	BOLT, FLANGE (6X38)	5 5A	-----	-----	3	95701-06038-08	3007861
22	ROLLER (4X15.8)	5 5A	-----	-----	2	96220-40158	0345066

CYLINDER BLOCK



5 =GL1800'05
5A=GL1800A'05

E-17

Engine
Serial Number

Ref	Description	Model	From	To	QTY	Part Number	H/C
1	BLOCK ASSY., CYLINDER	5 5A	-----	-----	1	11000-MEC-000	7353691
2	FILTER, OIL (TOYO ROKI)	5 5A	-----	-----	1	15410-MCJ-003	7681315
3	ORIFICE (2.3MM).....	5 5A	-----	-----	1	15515-MCA-000	6617708
4	JOINT, BREATHER THREE-WAY	5 5A	-----	-----	4	15772-KK0-000	1899954
5	CLIP, BREATHER TUBE	5 5A	-----	-----	18	17316-611-000	0340984
6	VALVE, REED	5 5A	-----	-----	6	18601-KGB-611	6618185
7	COVER, REED VALVE	5 5A	-----	-----	6	18612-MBA-600	6618193
8	TUBE, R. AIR IN.	5 5A	-----	-----	1	18651-MCA-780	6775977
9	TUBE, L. AIR IN.....	5 5A	-----	-----	1	18652-MCA-000	6618219
10	PLATE, AIR IN.....	5 5A	-----	-----	6	18653-MCA-000	6618227
11	TUBE (12X62)	5 5A	-----	-----	1	18655-MCA-000	6653968
12	TUBE, R. AIR IN.	5 5A	-----	-----	1	18662-MCA-000	6538128
13	TUBE, L. AIR IN.....	5 5A	-----	-----	1	18663-MCA-000	6538136
14	SENSOR ASSY., KNOCK	5 5A	-----	-----	2	30530-MCA-003	6619241
15	SWITCH ASSY., OIL PRESSURE (DENSO)	5 5A	-----	-----	1	35500-MJ4-024	3544608
16	SWITCH ASSY., NEUTRAL (TOYO)	5 5A	-----	-----	1	35600-MM5-003	2549764
17	SENSOR ASSY., SPEED.....	5 5A	-----	-----	1	37700-MCA-003	6619688

CYLINDER BLOCK

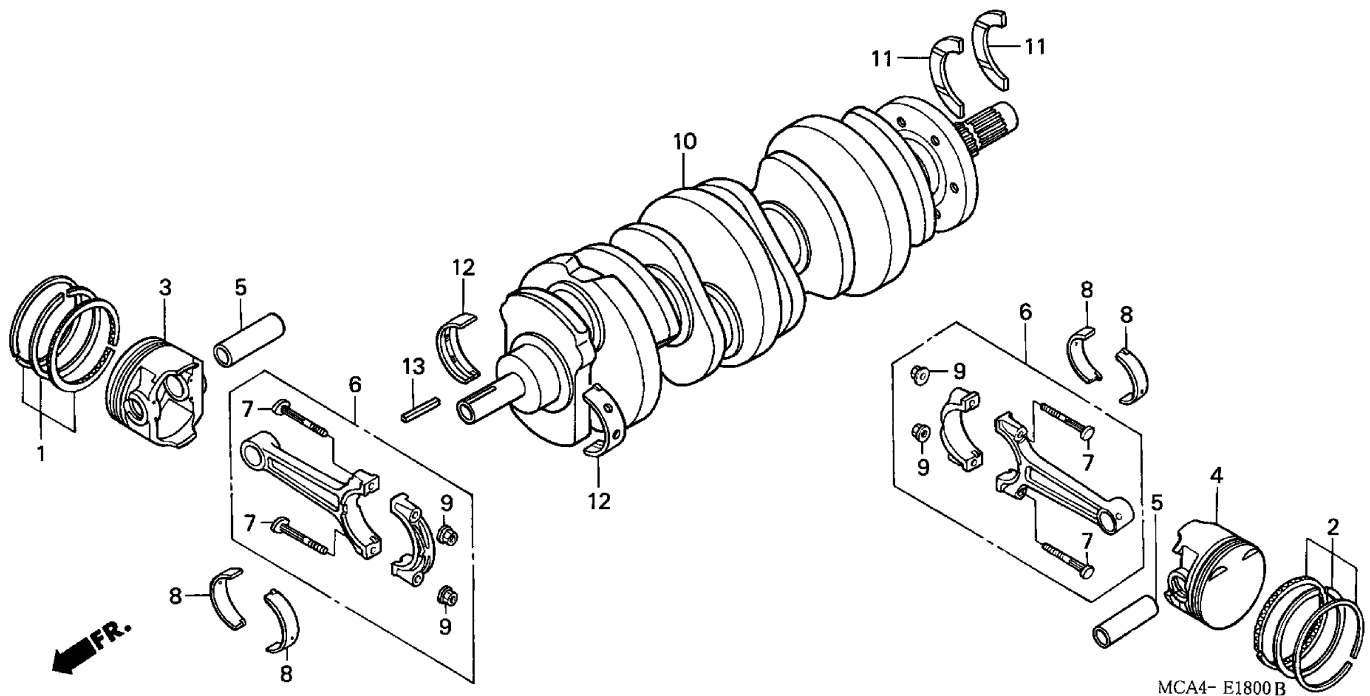
5 =GL1800'05
5A=GL1800A'05

E-17

Engine
Serial Number

Ref	Description	Model	From	To	QTY	Part Number	H/C
18	BOLT, UBS (12X77.5)	5 5A	-----	-----	8	90003-MEC-000	7418544
19	BOLT, FLANGE (8X135)	5 5A	-----	-----	4	90006-MM5-640	2729929
20	BOLT, FLANGE (10X120)	5 5A	-----	-----	1	90009-MEC-000	7418577
21	BOLT, FLANGE (10X120)	5 5A	-----	-----	6	90009-371-015	2952919
22	BOLT, FLANGE (10X197)	5 5A	-----	-----	1	90011-MEC-000	7418585
23	BOLT, FLANGE (5X14)	5 5A	-----	-----	12	90012-896-750	1257187
24	BOSS, OIL FILTER.....	5 5A	-----	-----	1	90019-MB0-000	1243435
25	WASHER, SPECIAL (11X21X2.3)	5 5A	-----	-----	8	90438-463-000	0886176
26	WASHER, SEALING (8MM).....	5 5A	-----	-----	4	90441-MG8-000	2016012
27	WASHER, NEUTRAL	5 5A	-----	-----	1	90443-MJ6-000	2544856
28	BAND, WIRE	5 5A	-----	-----	1	90652-KT1-771	2710416
29	COLLAR (15X20)	5 5A	-----	-----	1	90702-371-000	0409193
30	OIL SEAL (14X28X7) (ARAI)	5 5A	-----	-----	1	91202-965-003	1404789
31	O-RING (18.1X3.6).....	5 5A	-----	-----	1	91302-MAL-601	4639985
32	NUT, HEX. (4MM).....	5 5A	-----	-----	1	94001-04000-0S	0209684
33	PIN A, DOWEL (12X20)	5 5A	-----	-----	1	94301-12200	0165324
34	PIN C, DOWEL (4X6.5)	5 5A	-----	-----	8	94303-04065	0417923
35	BULK HOSE, VACUUM (12X1000) (12X42)	5 5A	-----	-----	4	95005-12001-10M	6543714
36	BULK HOSE, VACUUM (12X1000) (12X70)	5 5A	-----	-----	1	95005-12001-10M	6543714
37	BOLT, FLANGE (6X16)	5 5A	-----	-----	2	95701-06016-08	2105807
38	BOLT, FLANGE (6X35)	5 5A	-----	-----	11	95701-06035-08	2170801

CRANKSHAFT • PISTON



5 =GL1800'05
5A=GL1800A'05

E-18

Engine
Serial Number

Ref	Description	Model	From	To	QTY	Part Number	H/C
1	RING SET, PISTON (STD).....	5 5A	-----	-----	3	13011-MCA-305	6617245
	RING SET, PISTON (OS 0.25).....	5 5A	-----	-----	(3)	13021-MCA-305	6617260
	RING SET, PISTON (OS 0.50).....	5 5A	-----	-----	(3)	13031-MCA-305	6617286
	RING SET, PISTON (0.75).....	5 5A	-----	-----	(3)	13041-MCA-305	6617302
	RING SET, PISTON (1.00).....	5 5A	-----	-----	(3)	13051-MCA-305	6617328
2	RING SET, PISTON (STD).....	5 5A	-----	-----	3	13011-MCA-306	6617252
	RING SET, PISTON (OS 0.25).....	5 5A	-----	-----	(3)	13021-MCA-306	6617278
	RING SET, PISTON (OS 0.50).....	5 5A	-----	-----	(3)	13031-MCA-306	6617294
	RING SET, PISTON (0.75).....	5 5A	-----	-----	(3)	13041-MCA-306	6617310
	RING SET, PISTON (1.00).....	5 5A	-----	-----	(3)	13051-MCA-306	6617336
3	PISTON, R. (STD)	5 5A	-----	-----	3	13101-MCA-000	6617344
	PISTON, R. (OS 0.25)	5 5A	-----	-----	(3)	13103-MCA-306	6775555
	PISTON, R. (OS 0.50)	5 5A	-----	-----	(3)	13104-MCA-306	6775563
	PISTON, R. (0.75)	5 5A	-----	-----	(3)	13105-MCA-306	6775571
	PISTON, R. (1.00)	5 5A	-----	-----	(3)	13106-MCA-306	6775589
4	PISTON, L. (STD).....	5 5A	-----	-----	3	13102-MCA-000	6617351
	PISTON, L. (OS 0.25).....	5 5A	-----	-----	(3)	13107-MCA-306	6775597
	PISTON, L. (OS 0.50).....	5 5A	-----	-----	(3)	13108-MCA-306	6775605

CRANKSHAFT • PISTON

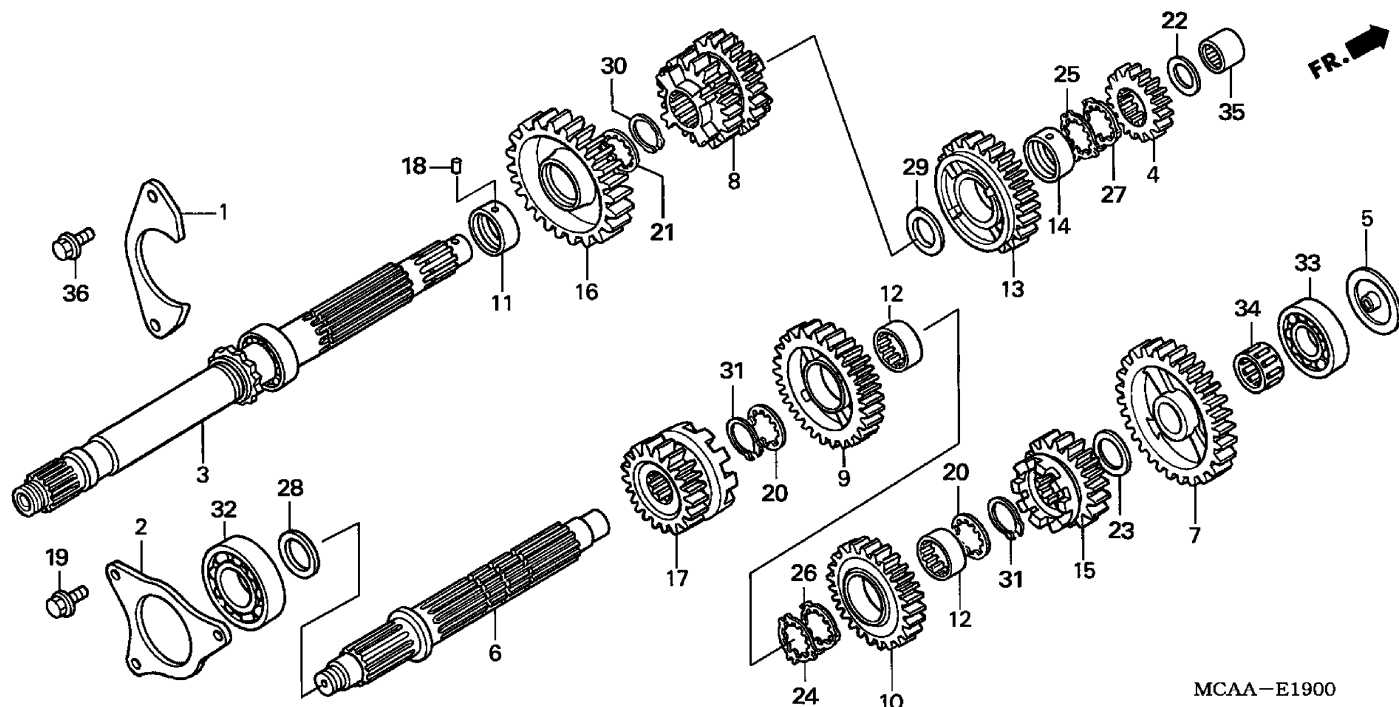
5 =GL1800'05
5A=GL1800A'05

E-18

Engine
Serial Number

Ref	Description	Model	From	To	QTY	Part Number	H/C
4	PISTON, L. (0.75).....	5 5A	-----	-----	(3)	13109-MCA-306	6775613
	PISTON, L. (1.00).....	5 5A	-----	-----	(3)	13110-MCA-306	6775621
5	PIN, PISTON	5 5A	-----	-----	6	13111-MCA-780	6717680
6	ROD ASSY., CONNECTING	5 5A	-----	-----	6	13201-MCA-000	6617435
7	BOLT, CONNECTING ROD	5 5A	-----	-----	12	13213-MS2-610	3371697
8	BEARING A, CONNECTING ROD (BLUE) (DAIDO)	5 5A	-----	-----	12	13214-MN5-003	2802411
	BEARING B, CONNECTING ROD (BLACK) (DAIDO)	5 5A	-----	-----	12	13215-MN5-003	2802429
	BEARING C, CONNECTING ROD (BROWN) (DAIDO).....	5 5A	-----	-----	12	13216-MN5-003	2802437
	BEARING D, CONNECTING ROD (GREEN) (DAIDO)	5 5A	-----	-----	12	13217-MN5-003	2802445
	BEARING E, CONNECTING ROD (YELLOW) (DAIDO)	5 5A	-----	-----	12	13218-MN5-003	2802452
9	NUT, CONNECTING ROD	5 5A	-----	-----	12	13215-ML7-000	2402105
10	CRANKSHAFT	5 5A	-----	-----	1	13310-MCA-780	6775647
11	BEARING, THRUST	5 5A	-----	-----	2	13312-MN5-003	2802478
12	BEARING A, MAIN (BLUE)	5 5A	-----	-----	8	13314-MCA-003	6617450
	BEARING B, MAIN (BLACK)	5 5A	-----	-----	8	13315-MCA-003	6617468
	BEARING C, MAIN (BROWN)	5 5A	-----	-----	8	13316-MCA-003	6617476
	BEARING D, MAIN (GREEN).....	5 5A	-----	-----	8	13317-MCA-003	6617484
	BEARING E, MAIN (YELLOW).....	5 5A	-----	-----	8	13318-MCA-003	6617492
13	KEY (2X2X30)	5 5A	-----	-----	1	90701-MCA-010	6759120

TRANSMISSION



MCAA-E1900

MCAAE1900

5 =GL1800'05
5A=GL1800A'05

E-19

Engine
Serial Number

Ref	Description	Model	From	To	QTY	Part Number	H/C
1	PLATE A, BEARING SETTING	5 5A	-----	-----	1	23161-MCA-010	6759138
2	PLATE B, BEARING SETTING	5 5A	-----	-----	1	23162-MCA-010	6759146
3	SHAFT, MAIN.....	5 5A	-----	-----	1	23210-MCA-780	6776082
4	GEAR, MAINSHAFT FIRST (16T)	5 5A	-----	-----	1	23212-MCA-000	6618698
5	PLATE, COUNTERSHAFT BEARING	5 5A	-----	-----	1	23219-MCA-000	6618714
6	COUNTERSHAFT	5 5A	-----	-----	1	23221-MCA-010	6657845
7	GEAR, COUNTERSHAFT FIRST (38T).....	5 5A	-----	-----	1	23421-MCA-000	6618730
8	GEAR, MAINSHAFT SECOND & THIRD (22T,29T)	5 5A	-----	-----	1	23431-MCA-000	6618748
9	GEAR, COUNTERSHAFT SECOND (32T)	5 5A	-----	-----	1	23441-MCA-000	6618755
10	GEAR, COUNTERSHAFT THIRD (31T)	5 5A	-----	-----	1	23461-MCA-000	6618763
11	COLLAR (32MM)	5 5A	-----	-----	1	23462-MCA-000	6618771
12	COLLAR, SPLINE (30X14).....	5 5A	-----	-----	2	23463-MCA-000	6618789
13	GEAR, MAINSHAFT FOURTH (32T)	5 5A	-----	-----	1	23471-MCA-000	6618797
14	COLLAR (28MM)	5 5A	-----	-----	1	23472-MCA-000	6618805
15	GEAR, COUNTERSHAFT FOURTH (27T)	5 5A	-----	-----	1	23481-MCA-A20	7544554
16	GEAR, MAINSHAFT FIFTH (35T)	5 5A	-----	-----	1	23491-MCA-000	6618839
17	GEAR, COUNTERSHAFT FIFTH (24T).....	5 5A	-----	-----	1	23501-MCA-000	6618854

TRANSMISSION

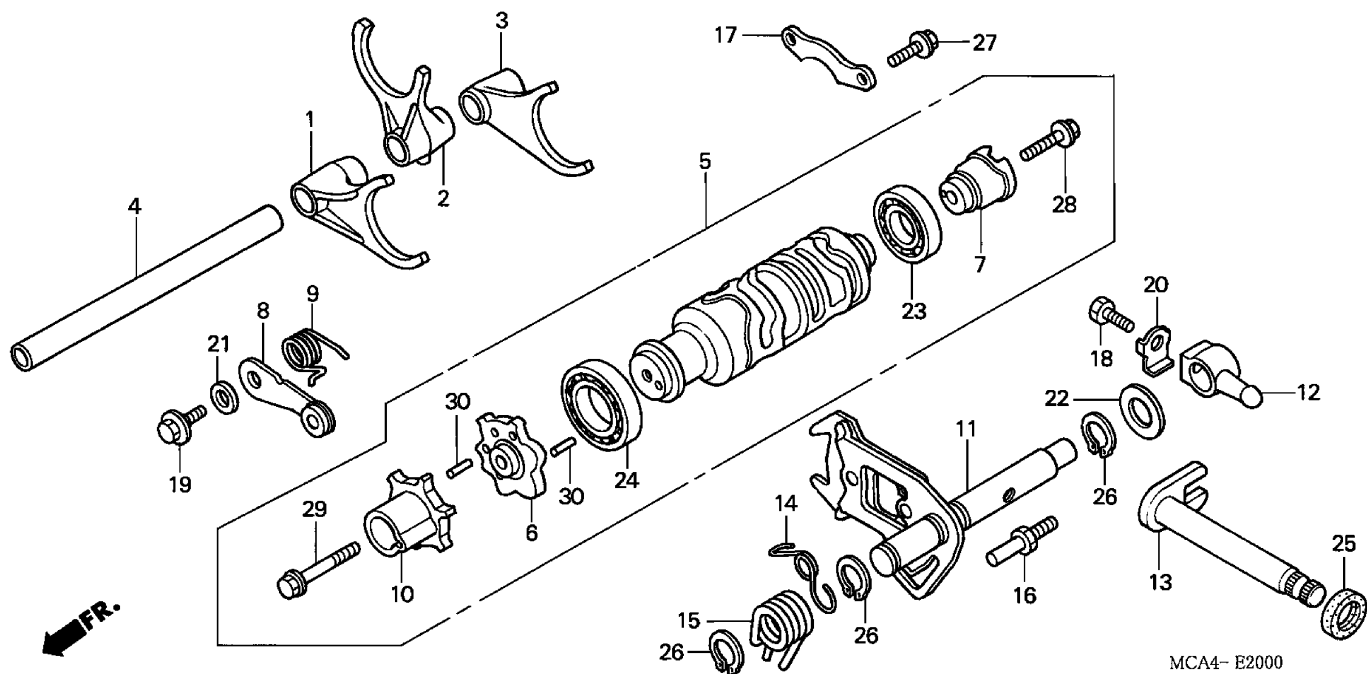
5 =GL1800'05
5A=GL1800A'05

E-19

Engine
Serial Number

Ref	Description	Model	From	To	QTY	Part Number	H/C
18	PIN, GEARSHIFT FORK GUIDE	5 5A	-----	-----	1	24261-283-000	0075911
19	BOLT, FLANGE (6X20)	5 5A	-----	-----	3	90118-KY1-000	3377496
20	WASHER, SPLINE (30X36X1.5)	5 5A	-----	-----	2	90452-MAT-000	5216247
21	WASHER, SPLINE (32X17X1.667)	5 5A	-----	-----	1	90452-MCA-000	6622039
22	WASHER B, THRUST (22MM).....	5 5A	-----	-----	1	90455-ML7-000	2408631
23	WASHER C, THRUST (25MM)	5 5A	-----	-----	1	90459-357-000	0322255
24	WASHER, SPLINE (30MM)	5 5A	-----	-----	1	90463-MAT-000	5216270
25	WASHER, SPLINE (28MM)	5 5A	-----	-----	1	90463-MR7-000	3453446
26	WASHER, LOCK (30MM).....	5 5A	-----	-----	1	90464-MAT-000	5216288
27	WASHER, LOCK (28MM).....	5 5A	-----	-----	1	90464-MR7-000	3453453
28	WASHER (22.1X36X2.6)	5 5A	-----	-----	1	90498-MEC-000	7419005
29	WASHER, THRUST (28MM)	5 5A	-----	-----	1	90554-MCA-000	6622070
30	CIRCLIP (32MM)	5 5A	-----	-----	1	90604-MCA-780	6776876
31	CIRCLIP (30MM)	5 5A	-----	-----	2	90604-MM5-000	2552032
32	BEARING, RADIAL BALL (63/22)	5 5A	-----	-----	1	91001-MN8-911	3618394
	BEARING, RADIAL BALL (63/22)	5 5A	-----	-----	1	91002-KY4-901	4186003
33	BEARING, RADIAL BALL (28X75X19) (NTN CORP.)	5 5A	-----	-----	1	91004-MCA-003	6622286
34	BEARING, NEEDLE (25X29X17) (NTN CORP.).....	5 5A	-----	-----	1	91005-MCA-003	6622294
35	BEARING, NEEDLE (22MM)	5 5A	-----	-----	1	91023-MM5-641	3377694
36	BOLT, FLANGE (8X18)	5 5A	-----	-----	2	95701-08018-08	2563237

SHIFT DRUM • SHIFT FORK



MCA4- E2000

MCA4E2000

5 =GL1800'05
5A=GL1800A'05

E-20

Engine
Serial Number

Ref	Description	Model	From	To	QTY	Part Number	H/C
1	FORK, FR. GEARSHIFT	5 5A	-----	-----	1	24211-MCA-A00	7119225
2	FORK, CENTER GEARSHIFT	5 5A	-----	-----	1	24212-MCA-000	6618912
3	SWINGARM, GEARSHIFT	5 5A	-----	-----	1	24213-MCA-000	6618920
4	SHAFT, SHIFT FORK.....	5 5A	-----	-----	1	24251-MCA-000	6618938
5	DRUM ASSY., GEARSHIFT.....	5 5A	-----	-----	1	24300-MCA-000	6618946
6	CAM, SHIFT DRUM	5 5A	-----	-----	1	24302-MCA-300	6618953
7	CAM, GEARSHIFT DRUM LOCK.....	5 5A	-----	-----	1	24305-MM5-000	2805133
8	STOPPER, GEARSHIFT DRUM	5 5A	-----	-----	1	24430-MCA-000	6618961
9	SPRING, GEARSHIFT DRUM STOPPER..	5 5A	-----	-----	1	24435-MCA-000	6618979
10	JOINT, GEARSHIFT DRUM.....	5 5A	-----	-----	1	24443-MCA-300	6618987
11	ARM, GEARSHIFT	5 5A	-----	-----	1	24610-MCA-000	6618995
12	ARM B, GEARSHIFT	5 5A	-----	-----	1	24615-MCA-000	6619001
13	SPINDLE, GEARSHIFT	5 5A	-----	-----	1	24620-MCA-780	6776124
14	SPRING, GEARSHIFT RESET	5 5A	-----	-----	1	24624-MT3-000	3484086
15	SPRING, GEARSHIFT RETURN	5 5A	-----	-----	1	24651-MCA-000	6619035
16	PIN, SHIFT RETURN SPRING.....	5 5A	-----	-----	1	24652-028-000	0014357
17	PLATE, GEARSHIFT DRUM BEARING SETTING	5 5A	-----	-----	1	24655-MV4-000	6619043

SHIFT DRUM • SHIFT FORK

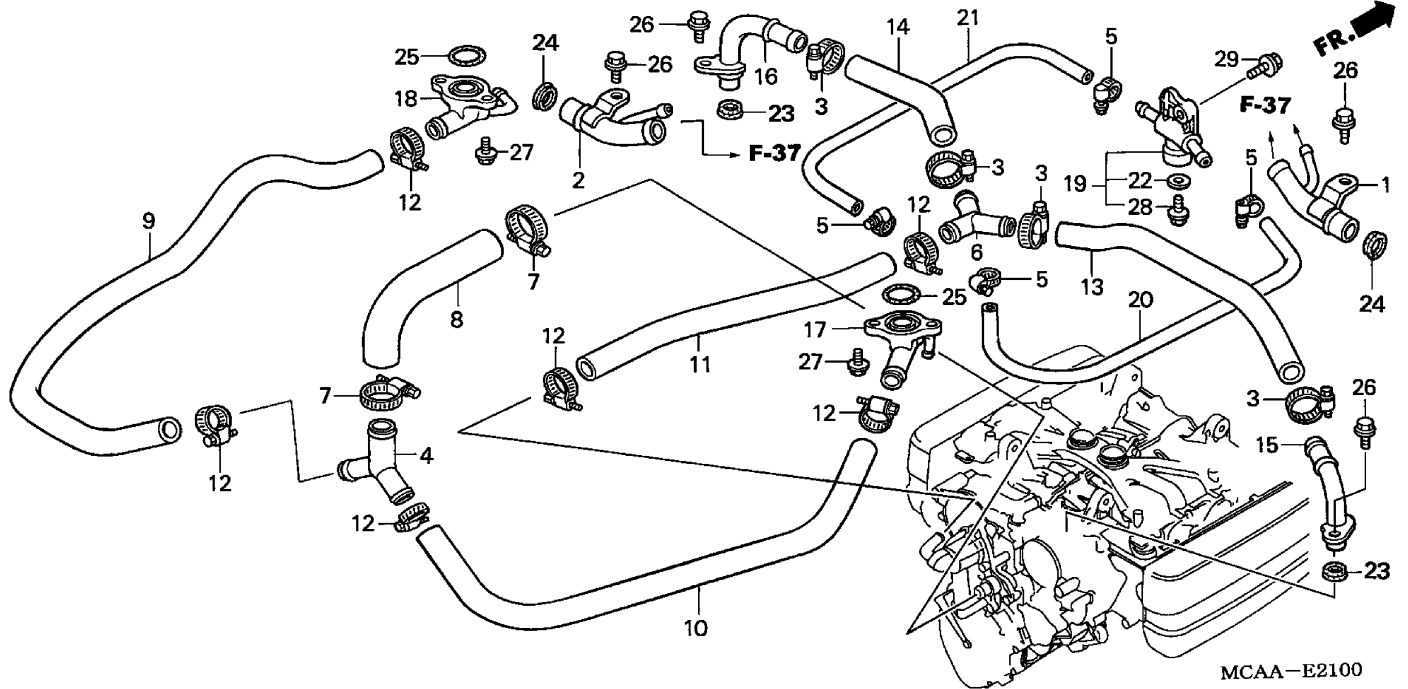
5 =GL1800'05
5A=GL1800A'05

E-20

Engine
Serial Number

Ref	Description	Model	From	To	QTY	Part Number	H/C
18	BOLT, HEX. (8X17)	5 5A	-----	-----	1	90009-MN5-000	2810596
19	PIVOT, SHIFT DRUM STOPPER ARM	5 5A	-----	-----	1	90022-MG8-000	2045862
20	WASHER, LOCK (8MM).....	5 5A	-----	-----	1	90406-422-000	0700765
21	WASHER, DRUM STOPPER.....	5 5A	-----	-----	1	90417-360-000	0341099
22	WASHER (14.2X28X2).....	5 5A	-----	-----	1	90487-MN5-000	2811107
23	BEARING, RADIAL BALL (6904) (NTN CORP.).....	5 5A	-----	-----	1	91007-MN5-003	2811321
24	BEARING, BALL (16005) (NTN CORP.)	5 5A	-----	-----	1	91008-374-003	0362855
25	OIL SEAL (8X25X8) (ARAI)	5 5A	-----	-----	1	91204-MB0-013	2952943
26	CIRCLIP (OUTER) (14MM)	5 5A	-----	-----	3	94510-14000	0213389
27	BOLT, FLANGE (6X16)	5 5A	-----	-----	2	95701-06016-08	2105807
28	BOLT, FLANGE (6X22)	5 5A	-----	-----	1	95701-06022-08	2129682
29	BOLT, FLANGE (8X40)	5 5A	-----	-----	1	95701-08040-08	2374775
30	ROLLER (4X14.8)	5 5A	-----	-----	6	96220-40148	0192427

WATER PIPE



MCAA-E2100

MCAAE2100

5 =GL1800'05
5A=GL1800A'05

E-21

Engine
Serial Number

Ref	Description	Model	From	To	QTY	Part Number	H/C
1	PIPE, R. WATER	5 5A	-----	-----	1	19411-MCA-780	6776017
2	PIPE, L. WATER.....	5 5A	-----	-----	1	19421-MCA-780	6776025
3	CLAMP, WATER HOSE (25MM)	5 5A	-----	-----	4	19504-KY1-003	3173895
4	JOINT, THREE-WAY	5 5A	-----	-----	1	19506-MCA-000	6538821
5	CLAMP, WATER HOSE	5 5A	-----	-----	4	19507-MAL-600	4637914
6	JOINT, THREE-WAY	5 5A	-----	-----	1	19507-MCA-000	6618318
7	CLAMP, R. RADIATOR HOSE.....	5 5A	-----	-----	2	19509-MM5-003	2567956
8	HOSE A, WATER.....	5 5A	-----	-----	1	19511-MCA-000	6546097
9	HOSE B, WATER.....	5 5A	-----	-----	1	19512-MCA-000	6546188
10	HOSE C, WATER.....	5 5A	-----	-----	1	19513-MCA-000	6546204
11	HOSE A, BYPASS	5 5A	-----	-----	1	19516-MCA-000	6618326
12	CLAMP, HOSE (24-32).....	5 5A	-----	-----	6	19516-ML7-691	3991437
13	HOSE B, BYPASS	5 5A	-----	-----	1	19517-MCA-000	6618334
14	HOSE C, BYPASS	5 5A	-----	-----	1	19518-MCA-000	6618342
15	PIPE, R. BYPASS.....	5 5A	-----	-----	1	19530-MCA-000	6618359
16	PIPE, L. BYPASS.....	5 5A	-----	-----	1	19540-MCA-000	6618367
17	JOINT, R. WATER HOSE.....	5 5A	-----	-----	1	19710-MCA-010	6657829
18	JOINT, L. WATER HOSE.....	5 5A	-----	-----	1	19720-MCA-000	6618383

WATER PIPE

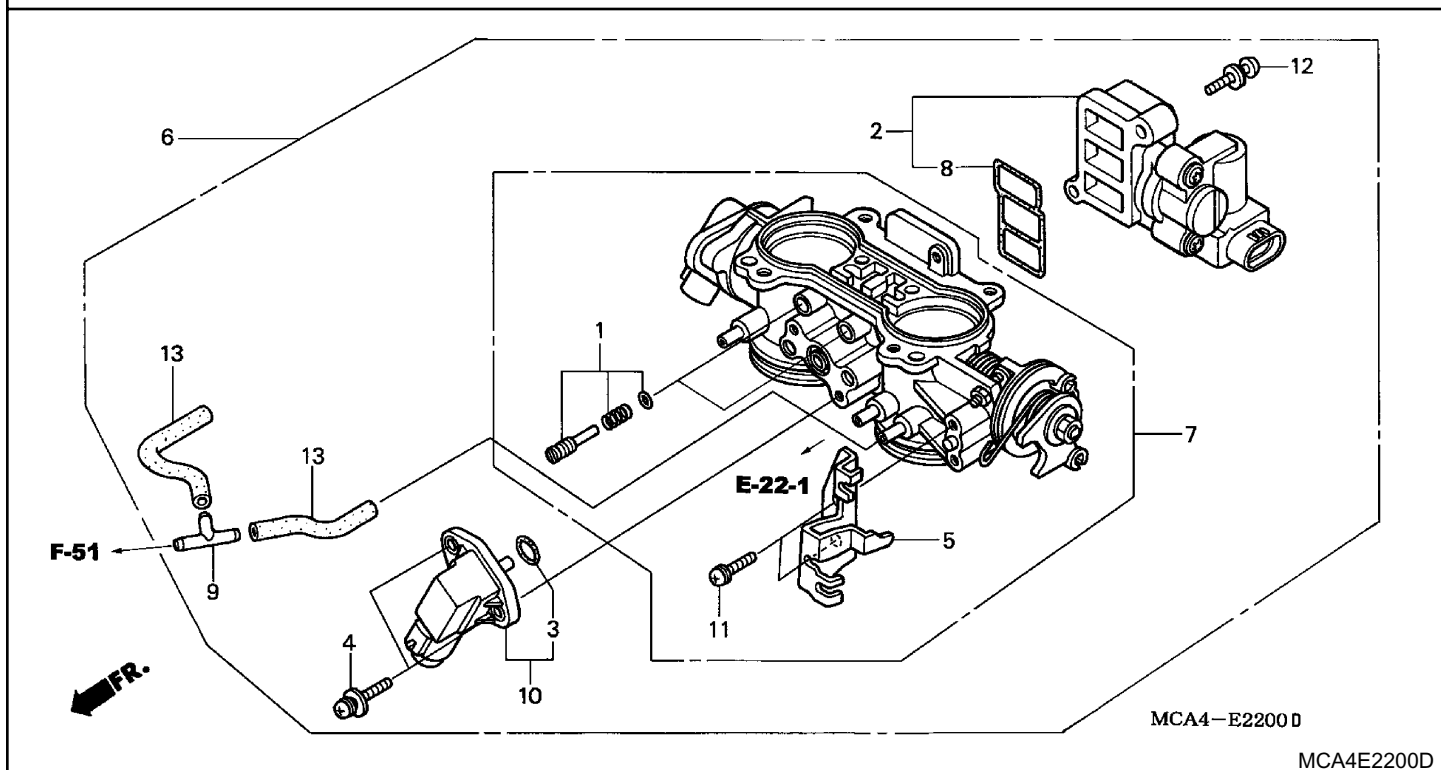
5 =GL1800'05
5A=GL1800A'05

E-21

Engine
Serial Number

Ref	Description	Model	From	To	QTY	Part Number	H/C
19	JOINT, DRAIN	5 5A	-----	-----	1	19730-MCA-000	6618391
20	HOSE A, DRAIN.....	5 5A	-----	-----	1	19732-MCA-010	6657837
21	HOSE B, DRAIN.....	5 5A	-----	-----	1	19733-MCA-000	6618417
22	WASHER, SEALING (6.5MM)	5 5A	-----	-----	1	90463-ML7-000	2408680
23	SEAL, WATER PIPE	5 5A	-----	-----	2	91315-MCA-A00	7113517
24	SEAL, WATER PIPE (22.5MM)	5 5A	-----	-----	2	91316-MCA-A00	7113525
25	O-RING (23X2.4)	5 5A	-----	-----	2	91317-MCA-A00	7113533
26	BOLT, FLANGE (6X16)	5 5A	-----	-----	4	95701-06016-08	2105807
27	BOLT, FLANGE (6X20)	5 5A	-----	-----	4	95701-06020-08	2374759
28	BOLT, FLANGE (6X12)	5 5A	-----	-----	1	96001-06012-00	2105930
29	BOLT, FLANGE (6X16)	5 5A	-----	-----	1	96300-06016-00	1829886
	BOLT, FLANGE (6X16)	5 5A	-----	-----	1	96400-06016-00	2265395

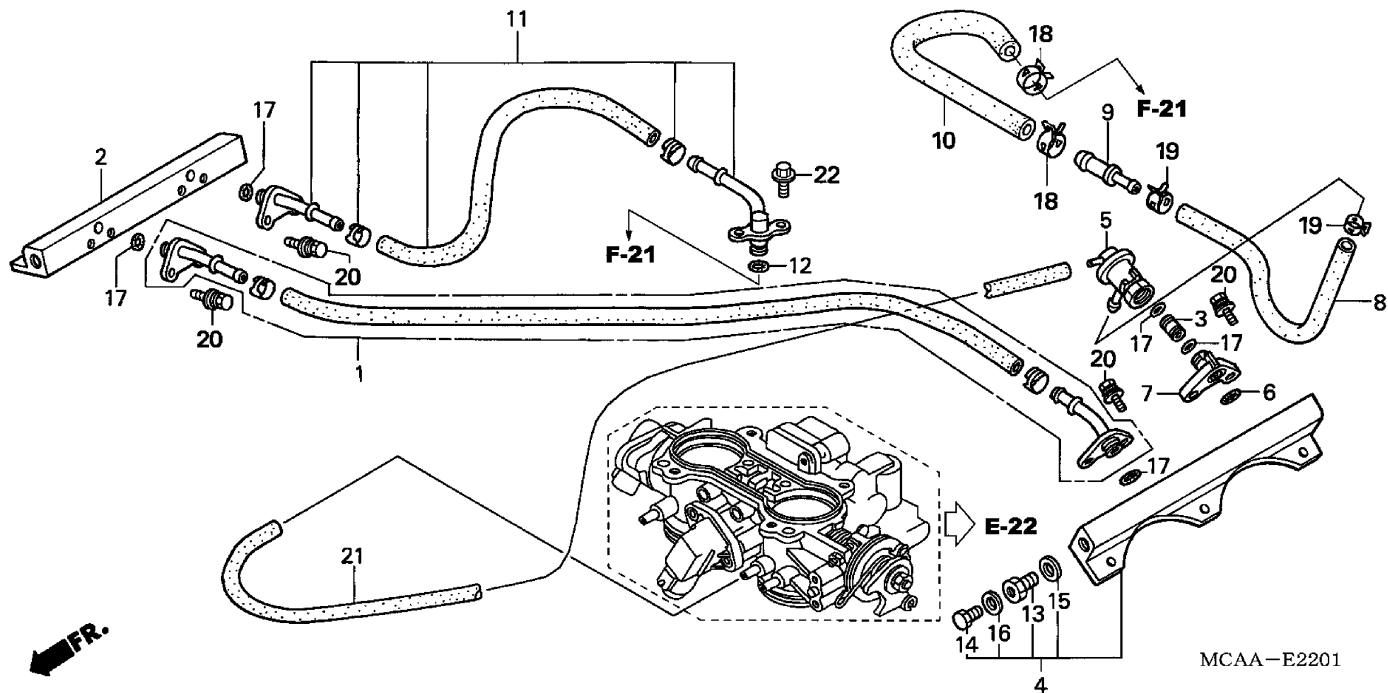
THROTTLE BODY



5 =GL1800'05 5A=GL1800A'05	E-22 Engine Serial Number	
-------------------------------	-------------------------------------	--

Ref	Description	Model	From	To	QTY	Part Number	H/C
1	SCREW SET	5 5A	-----	-----	2	16016-MCA-013	6653935
2	VALVE SET, ROTARY AIR CONTROL	5 5A	-----	-----	1	16022-MCA-003	6588123
3	O-RING (9.8X1.9).....	5 5A	-----	-----	1	16075-P07-000	3875457
4	SCREW-WASHER (4X16)	5 5A	-----	-----	2	16080-P07-000	3875499
5	STAY, WIRE.....	5 5A	-----	-----	1	16119-MCA-003	6653943
6	BODY ASSY., THROTTLE (GQ61A A)	5 5A	-----	-----	1	16400-MCA-013	6617757
7	BODY SET	5 5A	-----	-----	1	16410-MCA-013	6617773
8	GASKET, ROTARY AIR CONTROL VALVE	5 5A	-----	-----	1	16456-P8A-A01	5179296
9	JOINT, VACUUM TUBE (A)	5 5A	-----	-----	1	17201-MG9-000	1523992
10	SENSOR SET, MAP.....	5 5A	-----	-----	1	37011-MCA-003	6619662
11	SCREW-WASHER (5X12)	5 5A	-----	-----	2	93892-05012-00	0691808
	SCREW-WASHER (5X12)	5 5A	-----	-----	2	93892-05012-10	1545037
12	SCREW-WASHER (5X22)	5 5A	-----	-----	2	93892-05022-00	6622476
13	BULK HOSE, VACUUM (3.5X1000) (3.5X80)	5 5A	-----	-----	2	95005-35001-20M	5137153

THROTTLE BODY (TUBING)



MCAA-E2201

MCAA-E2201

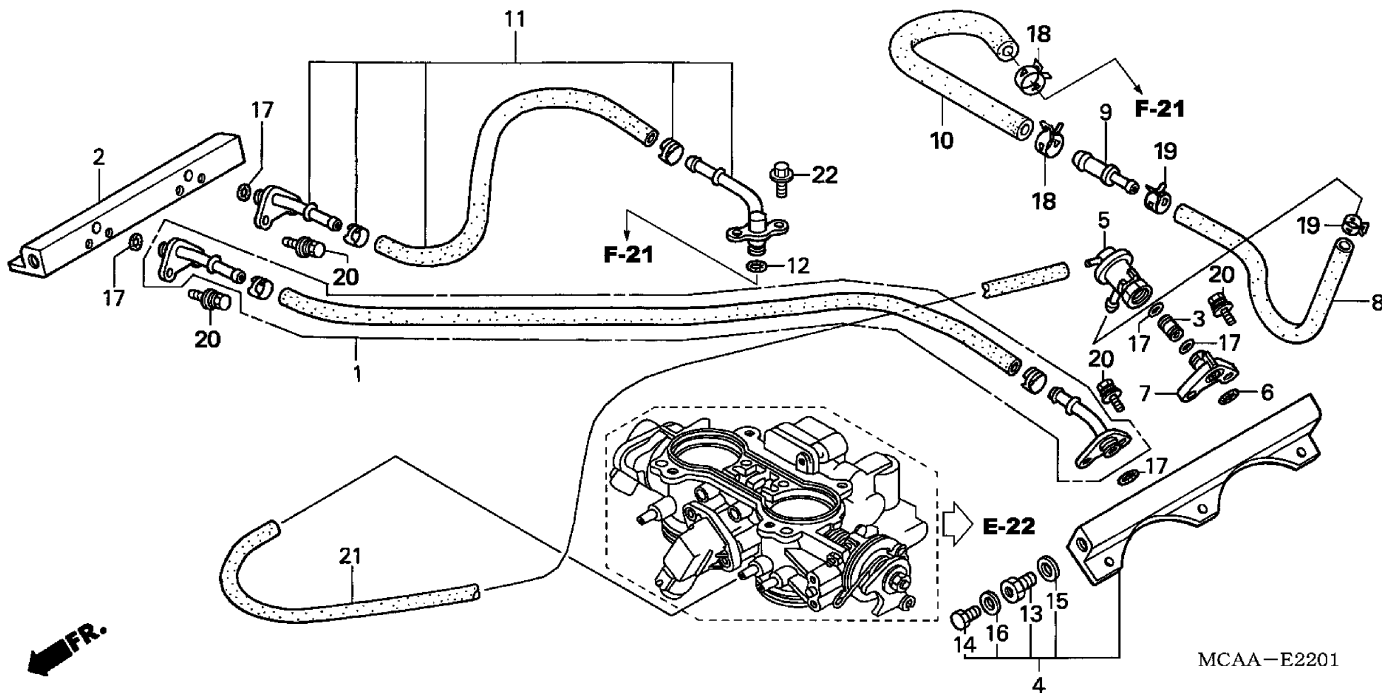
5 =GL1800'05
5A=GL1800A'05

E-22-1

Engine
Serial Number

Ref	Description	Model	From	To	QTY	Part Number	H/C
1	HOSE, FUEL FEED	5 5A	-----	-----	1	16527-MCA-003	6617807
2	PIPE, R. FUEL	5 5A	-----	-----	1	16610-MCA-780	6756522
3	JOINT, STRAIGHT	5 5A	-----	-----	1	16614-MCA-000	6617823
4	PIPE, L. FUEL	5 5A	-----	-----	1	16620-MCA-780	6756530
5	REGULATOR ASSY., PRESSURE	5 5A	-----	-----	1	16740-MCA-003	6617849
6	O-RING, PRESSURE REGULATOR (12.1X1.9) (HONDA KIKAKI)	5 5A	-----	-----	1	16741-PG7-005	2317469
7	STAY, PRESSURE REGULATOR	5 5A	-----	-----	1	16745-MCA-000	6617856
8	HOSE, FUEL RETURN	5 5A	-----	-----	1	17525-MCA-003	7841273
9	JOINT, FUEL RETURN	5 5A	-----	-----	1	17526-MCA-000	6617955
10	HOSE A, FUEL RETURN	5 5A	-----	-----	1	17527-MCA-000	6617963
11	HOSE, FUEL FEED	5 5A	-----	-----	1	17528-MCA-003	6617971
12	O-RING (7.52X3.53)	5 5A	-----	-----	1	17530-MCA-000	6617989
13	BOLT, BANJO (12MM)	5 5A	-----	-----	1	90008-MCA-000	6621536
14	BOLT, SEALING (6MM)	5 5A	-----	-----	1	90009-PP4-E01	3897873
15	WASHER, SEALING (12MM)	5 5A	-----	-----	1	90428-PD6-003	2128429
16	WASHER, SEALING (6MM)	5 5A	-----	-----	1	90430-PD6-003	2128437
17	O-RING (7.8X1.9)	5 5A	-----	-----	5	91302-MCA-000	6622427

THROTTLE BODY (TUBING)



MCAA-E2201

MCAA E2201

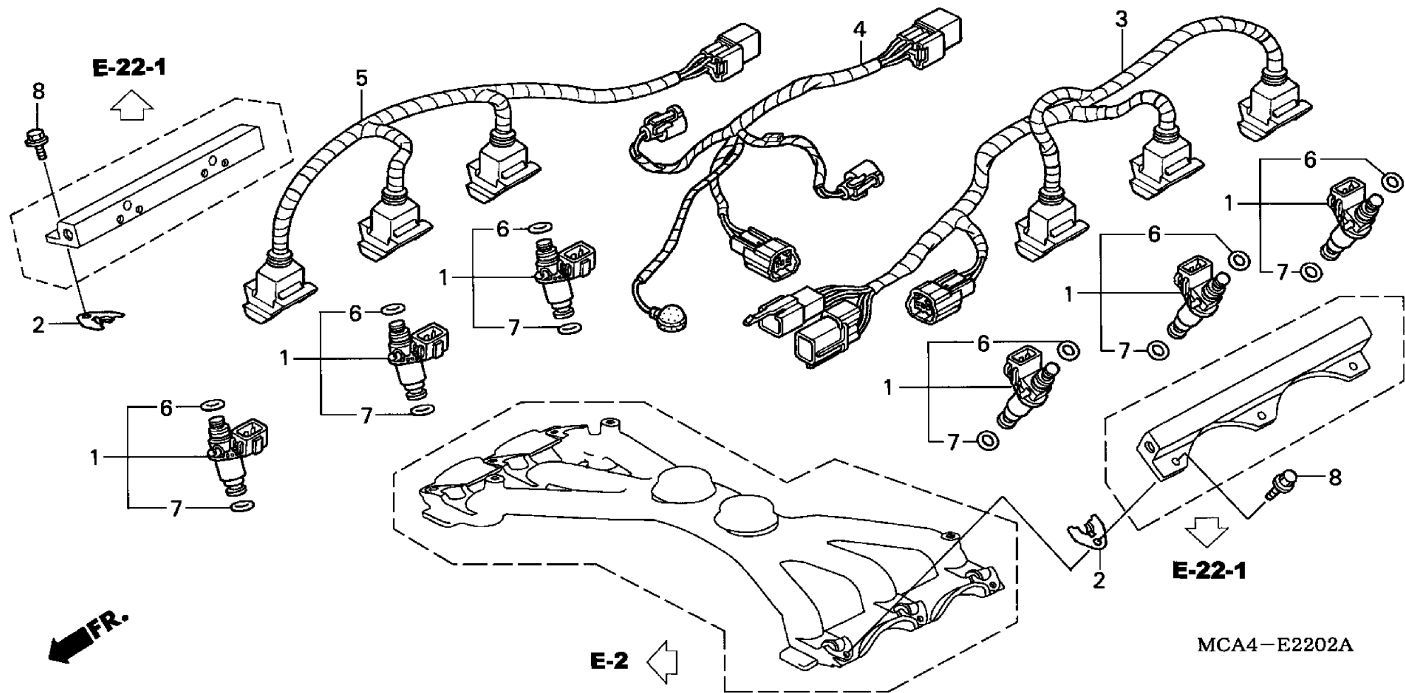
5 =GL1800'05
5A=GL1800A'05

E-22-1

Engine
Serial Number

Ref	Description	Model	From	To	QTY	Part Number	H/C
18	CLAMP, TUBE (D12)	5 5A	-----	-----	2	91405-PD1-004	1869502
19	CLAMP, FUEL HOSE (D10.5)	5 5A	-----	-----	2	91406-SL4-931	3778867
20	BOLT-WASHER (6X16)	5 5A	-----	-----	8	93403-06016-00	2895159
	BOLT-WASHER (6X16)	5 5A	-----	-----	8	93413-06016-00	3756012
21	BULK HOSE, VACUUM (3.5X1000) (3.5X290)	5 5A	-----	-----	1	95005-35001-20M	5137153
22	BOLT, FLANGE (6X12)	5 5A	-----	-----	2	96001-06012-00	2105930

INJECTOR



MCA4E2202A

5 =GL1800'05
5A=GL1800A'05

E-22-2

Engine
Serial Number

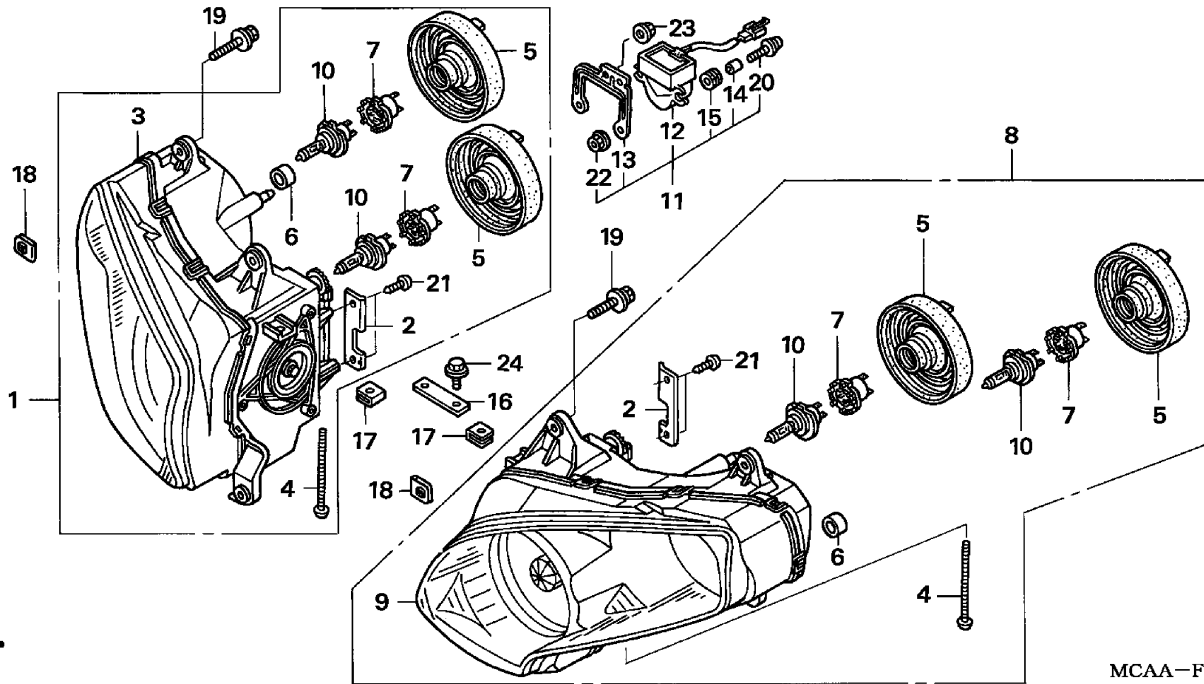
Ref	Description	Model	From	To	QTY	Part Number	H/C
1	INJECTOR ASSY., FUEL	5 5A	-----	-----	6	16450-MCA-013	7325442
2	CLIP, INJECTOR	5 5A	-----	-----	6	16451-MCA-000	6617799
3	SUB-HARNESS A, ENGINE.....	5 5A	-----	-----	1	32104-MCA-000	6565022
4	SUB-HARNESS B, ENGINE.....	5 5A	-----	-----	1	32106-MCA-000	6537526
5	SUB-HARNESS, INJECTOR (R)	5 5A	-----	-----	1	32109-MCA-000	6537542
6	O-RING (7.47X3.6).....	5 5A	-----	-----	6	91301-PLC-000	6579874
7	O-RING (7.85X3.53).....	5 5A	-----	-----	6	91302-PLC-000	6494843
8	BOLT, FLANGE (6X16)	5 5A	-----	-----	6	95701-06016-00	2410892

FRAME SECTION

Chapter Table of Contents

Page Title	Grid	Page
HEADLIGHT	1-E1	2-2
METER PANEL	1-E2	2-4
SPEEDOMETER	1-E2	2-5
HANDLE SWITCH	1-E3	2-7
DELAY VALVE	1-E5	2-10
FRONT BRAKE MASTER CYLINDER	1-E6	2-12
CLUTCH MASTER CYLINDER	1-E7	2-14
HANDLEBAR • TOP BRIDGE	1-E8	2-16
STEERING STEM	1-E9	2-18
FRONT FENDER	1-E10	2-20
FRONT FORK	1-E11	2-22
RIGHT FRONT BRAKE CALIPER (GL1800)	1-E12	2-24
RIGHT FRONT BRAKE CALIPER (GL1800A)	1-E13	2-26
LEFT FRONT BRAKE CALIPER	1-E14	2-28
FRONT WHEEL	1-E15	2-30
REAR BRAKE MASTER CYLINDER	1-E16	2-32
PROPORTION CONTROL VALVE	1-F1	2-34
REAR BRAKE CALIPER	1-F2	2-36
REAR WHEEL	1-F3	2-38
FINAL DRIVEN GEAR	1-F3	2-39
SHELTER	1-F5	2-42
SEAT	1-F7	2-46
FUEL TANK	1-F7	2-47
AIR CLEANER	1-F8	2-49
AIR INJECTION VALVE	1-F9	2-51
SIDE COVER	1-F10	2-52
MUFFLER	1-F11	2-54
PEDAL	1-F12	2-57
STEP	1-F13	2-58
STAND	1-F14	2-60
SWINGARM	1-F15	2-62
REAR SHOCK ABSORBER	1-F15	2-63
REAR FENDER	1-F16	2-65
TURN SIGNAL • MIRROR	1-G1	2-67
REAR COMBINATION LIGHT	1-G3	2-70
BATTERY	1-G3	2-71
IGNITION COIL	1-G4	2-73
WIRE HARNESS	1-G5	2-74
CONTROL UNIT	1-G6	2-76
RADIATOR	1-G7	2-78
COOLING FAN	1-G8	2-80
FRAME	1-G8	2-81
TOOLS	1-G10	2-84
WINDSCREEN	1-G11	2-86
COWL	1-G13	2-90
AIR DUCT	1-G15	2-94
COWL STAY	1-G16	2-96
TRUNK BOX	1-G16	2-97
SADDLEBAG	1-H3	2-103
OPENER UNIT	1-H7	2-111
ENGINE GUARD	1-H8	2-113
RADIO	1-H9	2-115
AUTO CRUISE	1-H10	2-117
EVAP CANISTER	1-H11	2-118
CAUTION LABEL	1-H12	2-120

HEADLIGHT



MCAA-F0100

MCAAF0100

5 =GL1800'05
5A=GL1800A'05

F-1

Frame
Serial Number

Ref	Description	Model	From	To	QTY	Part Number	H/C
1	HEADLIGHT ASSY., R.	5 5A	-----	-----	1	33100-MCA-A20	7527823
2	PLATE	5 5A	-----	-----	2	33101-MCA-003	6645477
3	HEADLIGHT UNIT, R.	5 5A	-----	-----	1	33102-MCA-A20	7527856
4	SCREW, BEAM ADJUST	5 5A	-----	-----	2	33103-MCA-003	6645485
5	COVER, RUBBER	5 5A	-----	-----	4	33112-KPB-003	6654008
6	PIPE, CP	5 5A	-----	-----	6	33113-MBW-D21	6648687
7	SOCKET, HEADLIGHT	5 5A	-----	-----	4	33130-MAT-611	5214309
8	HEADLIGHT ASSY., L.....	5 5A	-----	-----	1	33150-MCA-671	6645519
9	HEADLIGHT UNIT, L.....	5 5A	-----	-----	1	33152-MCA-671	6638027
10	BULB, HEADLIGHT (12V55W) (H7).....	5 5A	-----	-----	4	34901-MAT-611	5214457
11	SENSOR, BANK ANGLE	5 5A	-----	-----	1	35160-MCA-A21	7605165
12	SENSOR, BANK ANGLE	5 5A	-----	-----	1	35161-MCA-A21	7544679
13	PLATE, BANK ANGLE SENSOR	5 5A	-----	-----	1	35162-MCA-A21	7544687
14	COLLAR	5 5A	-----	-----	2	35162-MN5-003	2820736
15	GROMMET	5 5A	-----	-----	2	35163-MN5-003	2820744
16	PLATE, HEADLIGHT (UPPER)	5 5A	-----	-----	1	64516-MCA-000	6620876
17	NUT, SPRING (6MM)	5 5A	-----	-----	2	90301-SM4-901	3396462
18	NUT, AIR SPOILER CLIP.....	5 5A	-----	-----	6	90305-SH3-000	2935476

HEADLIGHT

5 =GL1800'05
5A=GL1800A'05

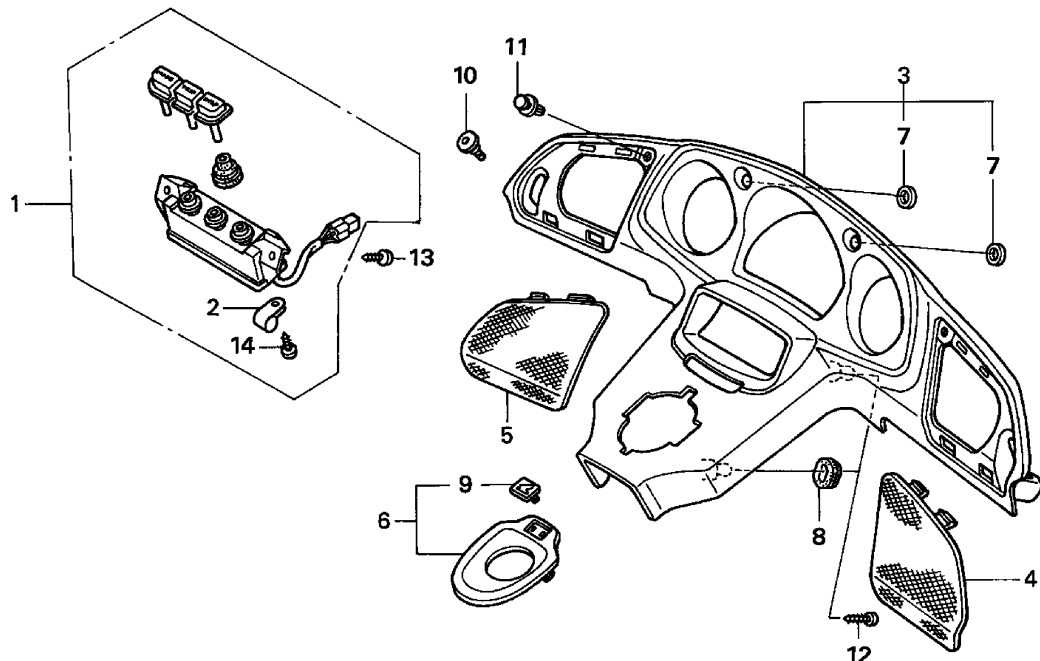
F-1

Frame
Serial Number

Ref	Description	Model	From	To	QTY	Part Number	H/C
19	BOLT-WASHER (6X25)	5 5A	-----	-----	6	93404-06025-07	3591567
20	SCREW, PAN (4X20)	5 5A	-----	-----	2	93500-04020-0H	0347922
21	SCREW, TAPPING (4X12).....	5 5A	-----	-----	4	93901-34320	0791277
22	NUT, FLANGE (4MM).....	5 5A	-----	-----	2	94050-04000	0711549
23	NUT, FLANGE (5MM).....	5 5A	-----	-----	2	94050-05080	0612671
24	BOLT, FLANGE (6X18)	5 5A	-----	-----	2	96001-06018-00	2105963

METER PANEL

FR.



MCAA-F0200

MCAAF0200

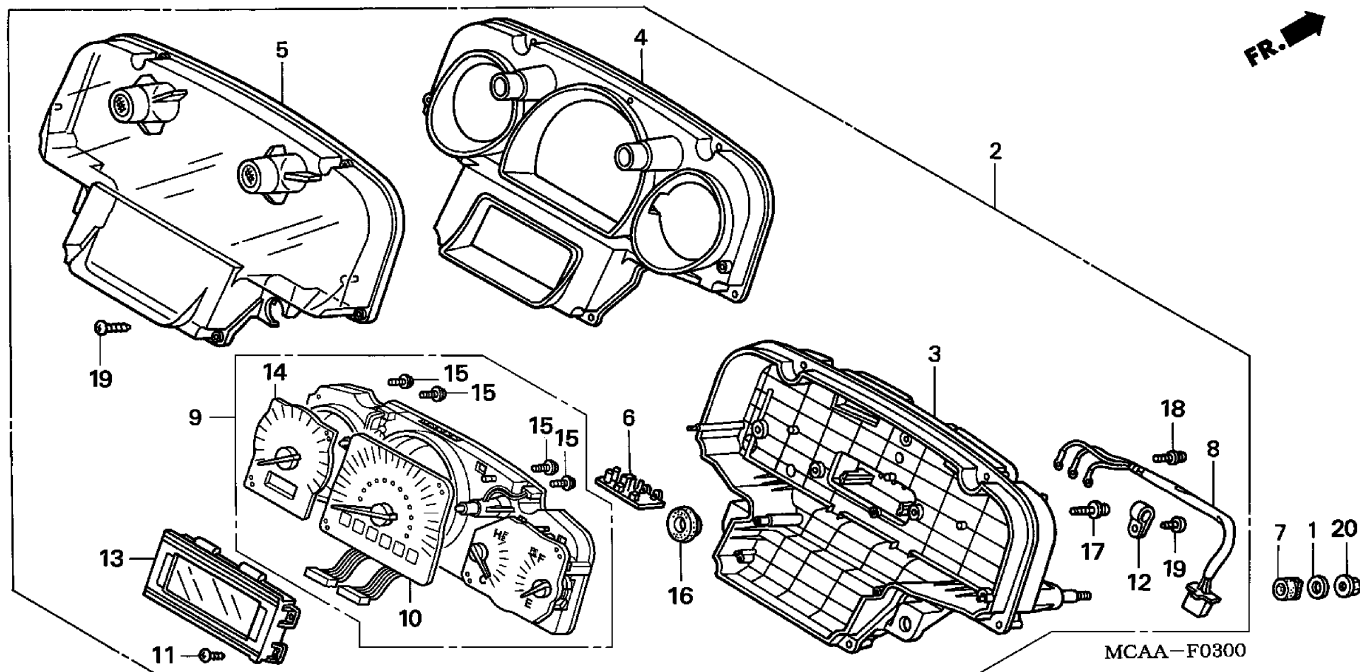
5 =GL1800'05
5A=GL1800A'05

F-2

Frame
Serial Number

Ref	Description	Model	From	To	QTY	Part Number	H/C
1	SWITCH ASSY., METER	5 5A	-----	-----	1	37105-MCA-003	6637110
2	CLAMP	5 5A	-----	-----	1	37215-KS3-901	2856235
3	PANEL, METER *NH389M* (MAT BULLET SILVER)	5 5A	-----	-----	1	64240-MCA-000ZA	6565295
4	COVER, R. SPEAKER	5 5A	-----	-----	1	64242-MCA-000	6638928
5	COVER, L. SPEAKER	5 5A	-----	-----	1	64246-MCA-000	6638936
6	COVER ASSY., COMBINATION SWITCH..	5 5A	-----	-----	1	64251-MCA-000	6628903
7	SEAL, TURN SIGNAL	5 5A	-----	-----	2	64259-MCA-300	6620777
8	GROMMET, AIR CLEANER HOUSING	5 5A	-----	-----	2	83551-GE2-000	1406164
9	EMBLEM, WING MARK	5 5A	-----	-----	1	86150-MCA-000	6654156
10	SCREW, PAN (6X14)	5 5A	-----	-----	2	90138-MCA-000	6621908
11	CLIP, SPLASH	5 5A	-----	-----	2	90657-SB0-003	1477280
12	SCREW, TAPPING (4X25)	5 5A	-----	-----	4	93901-24680	0769216
13	SCREW, TAPPING (4X12)	5 5A	-----	-----	2	93903-24310	0572404
14	SCREW, TAPPING (4X16)	5 5A	-----	-----	1	93903-24420	0995944

SPEEDOMETER



MCAA-F0300

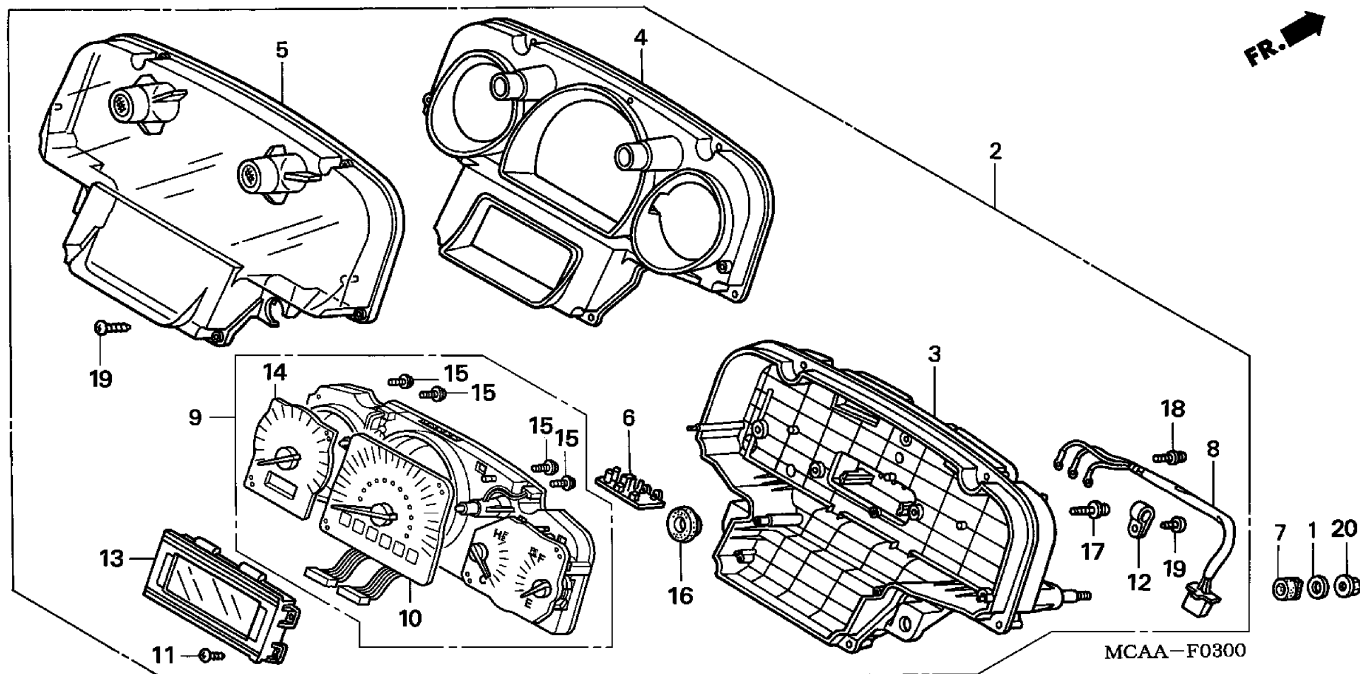
5 =GL1800'05
5A=GL1800A'05

F-3

Frame
Serial Number

Ref	Description	Model	From	To	QTY	Part Number	H/C
1	WASHER, PIVOT	5 5A	-----	-----	3	17936-921-000	0283556
2	METER ASSY., COMBINATION	5	-----	-----	1	37100-MCA-A41	7794043
	METER ASSY., COMBINATION	5A	-----	-----	1	37100-MCA-A51	7794050
3	CASE ASSY. (LOWER)	5 5A	-----	-----	1	37101-MCA-671	6646202
4	PLATE ASSY., REFLECTING	5 5A	-----	-----	1	37102-MCA-671	6646210
5	GLASS ASSY.	5 5A	-----	-----	1	37103-MCA-671	6646236
6	CIRCUIT ASSY. (TURN SIGNAL RELAY) ..	5 5A	-----	-----	1	37107-MCA-671	6646244
7	RUBBER, METER SETTING	5 5A	-----	-----	3	37109-MBG-000	5740865
8	WIRE ASSY.	5 5A	-----	-----	1	37109-MCA-671	6646251
9	METER, COMBINATION	5	-----	-----	1	37110-MCA-A41	7794092
	METER, COMBINATION	5A	-----	-----	1	37110-MCA-A51	7794100
10	SPEEDOMETER	5	-----	-----	1	37200-MCA-671	6878920
	SPEEDOMETER	5A	-----	-----	1	37200-MCA-971	6878961
11	SCREW, TAPPING (3X14).....	5 5A	-----	-----	4	37214-KV7-671	6628754
12	CLAMP	5 5A	-----	-----	1	37215-KAF-008	3116092
13	L.C.D. ASSY.	5 5A	-----	-----	1	37230-MCA-671	6882856
14	TACHOMETER.....	5 5A	-----	-----	1	37250-MCA-671	7119282
15	SCREW-WASHER (3X17)	5 5A	-----	-----	4	78121-SZ3-901	4971982

SPEEDOMETER



MCAA-F0300

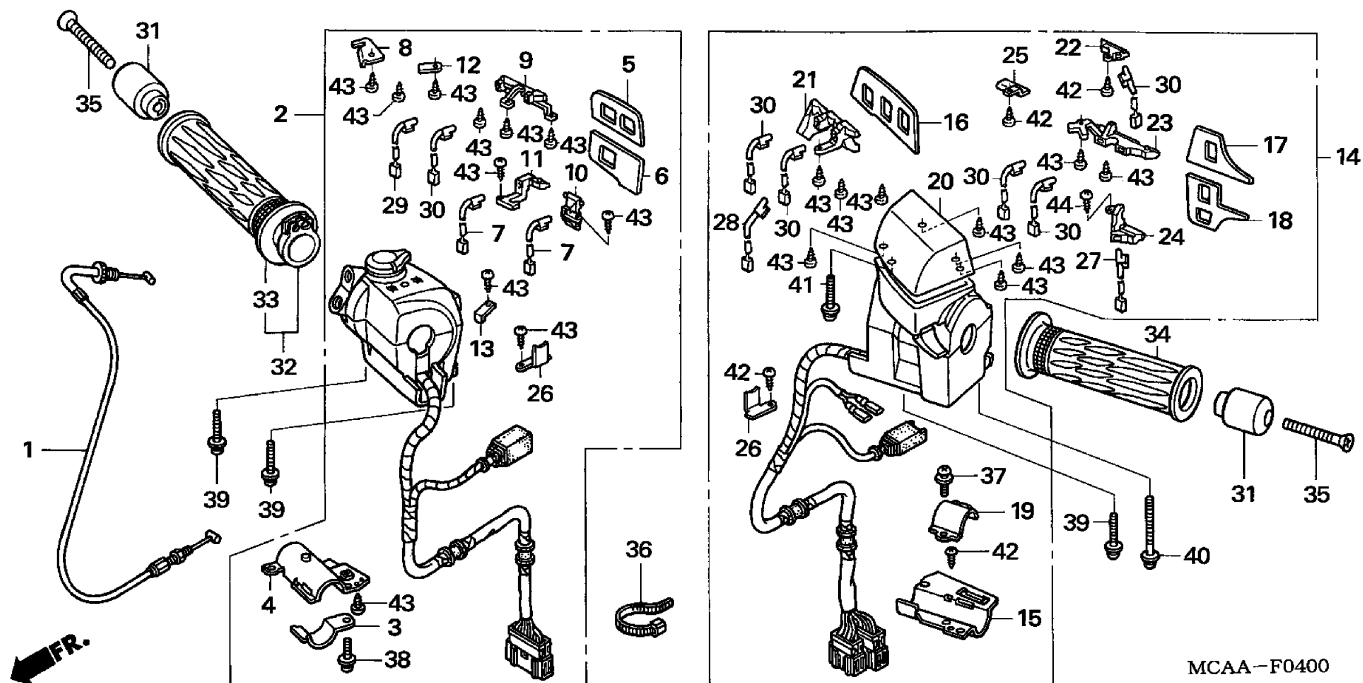
5 =GL1800'05
5A=GL1800A'05

F-3

Frame
Serial Number

Ref	Description	Model	From	To	QTY	Part Number	H/C
16	GROMMET, SIDE COVER.....	5 5A	-----	-----	2	83601-MN5-000	2810133
17	SCREW, TAPPING (3X14).....	5 5A	-----	-----	8	90101-KY6-008	5796677
18	SCREW-WASHER (3X12)	5 5A	-----	-----	3	90108-GN2-008	2608750
19	SCREW, TAPPING (4X16).....	5 5A	-----	-----	7	93903-24420	0995944
20	NUT, FLANGE (6MM).....	5 5A	-----	-----	3	94050-06080	0612689

HANDLE SWITCH



MCAA-F0400

MCAAF0400

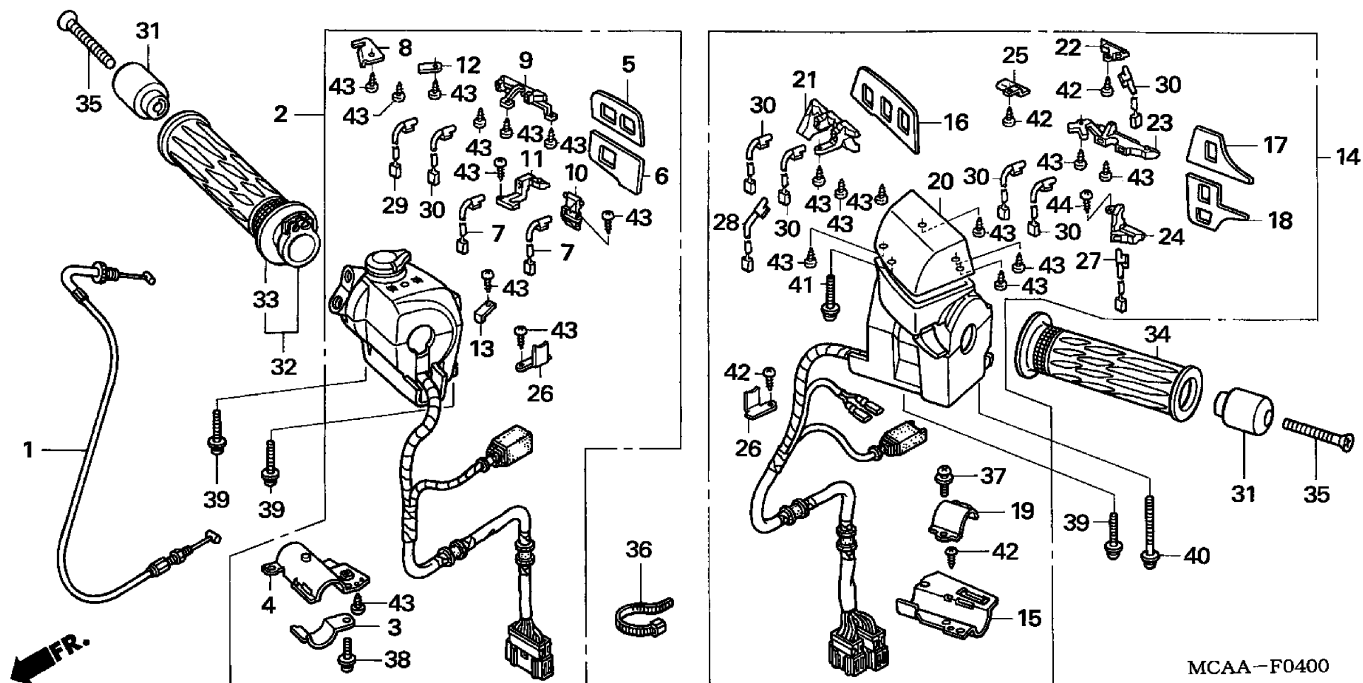
5 =GL1800'05
5A=GL1800A'05

F-4

Frame
Serial Number

Ref	Description	Model	From	To	QTY	Part Number	H/C
1	CABLE A, THROTTLE	5 5A	-----	-----	1	17910-MCA-000	6537807
2	SWITCH ASSY., STARTER STOP	5 5A	-----	-----	1	35130-MCA-A21	7652209
3	PLATE A, STOP SWITCH SETTING	5 5A	-----	-----	1	35132-MCA-003	6619381
4	PLATE B, STOP SWITCH SETTING	5 5A	-----	-----	1	35133-MCA-003	6619399
5	PLATE, ORNAMENT (A)	5 5A	-----	-----	1	35134-MCA-A20	7544588
6	PLATE, ORNAMENT (B)	5 5A	-----	-----	1	35135-MCA-A20	7544596
7	BULB	5 5A	-----	-----	2	35139-MCA-A20	7544604
8	CLAMP, WIRE (A)	5 5A	-----	-----	1	35141-MCA-A20	7544612
9	LENS, R. (UPPER).....	5 5A	-----	-----	1	35142-MCA-A20	7544620
10	LENS, R. (LOWER) (A)	5 5A	-----	-----	1	35143-MCA-A20	7544638
11	LENS, R. (LOWER) (B)	5 5A	-----	-----	1	35144-MCA-A20	7544646
12	CLAMP, WIRE (B)	5 5A	-----	-----	2	35145-MCA-A20	7544653
13	CLAMP, WIRE (D)	5 5A	-----	-----	1	35146-MCA-A20	7544661
14	SWITCH ASSY., TURN SIGNAL & AUDIO	5 5A	-----	-----	1	35200-MCA-A21	7652217
15	PLATE A SET, TURN SIGNAL.....	5 5A	-----	-----	1	35202-MCA-003	6619449
16	PLATE, ORNAMENT (A)	5 5A	-----	-----	1	35203-MCA-A20	7544703
17	PLATE, ORNAMENT (C)	5 5A	-----	-----	1	35205-MCA-A20	7544711
18	PLATE, ORNAMENT (D)	5 5A	-----	-----	1	35206-MCA-A20	7544729

HANDLE SWITCH



MCAA-F0400

MCAAF0400

5 =GL1800'05
5A=GL1800A'05

F-4

Frame
Serial Number

Ref	Description	Model	From	To	QTY	Part Number	H/C
19	PLATE B SET, TURN SIGNAL.....	5 5A	-----	-----	1	35207-MCA-003	6619480
20	CASE, AUDIO (UPPER).....	5 5A	-----	-----	1	35211-MCA-A20	7544737
21	LENS, AUDIO.....	5 5A	-----	-----	1	35212-MCA-A20	7544745
22	LENS, TURN SIGNAL (A)	5 5A	-----	-----	1	35213-MCA-A20	7544752
23	LENS, TURN SIGNAL (B)	5 5A	-----	-----	1	35214-MCA-A20	7544760
24	LENS (LOWER)	5 5A	-----	-----	1	35215-MCA-A20	7544778
25	CLAMP, WIRE (UPPER)	5 5A	-----	-----	1	35217-MCA-A20	7544794
26	CLAMP, WIRE	5 5A	-----	-----	2	35218-MCA-A20	7544802
27	BULB (T3) (A).....	5 5A	-----	-----	1	35219-MCA-A20	7544810
28	BULB (T3) (B).....	5 5A	-----	-----	1	35220-MCA-A20	7544828
29	BULB (T3) (C).....	5 5A	-----	-----	1	39206-MCA-013	6657878
30	BULB (T3) (B).....	5 5A	-----	-----	6	39208-MCA-003	6776231
31	WEIGHT, HANDLEBAR.....	5 5A	-----	-----	2	53105-MK4-620	3717022
32	GRIP, R.	5 5A	-----	-----	1	53145-MCA-000	6620546
33	GRIP, R. HANDLE	5 5A	-----	-----	1	53165-MCA-000	6620553
34	GRIP, L. HANDLE	5 5A	-----	-----	1	53166-MCA-000	6620561
35	SCREW, OVAL (6X65).....	5 5A	-----	-----	2	90191-KBG-000	3717360
36	BAND, WIRE	5 5A	-----	-----	1	90650-KV6-003	2687788

HANDLE SWITCH

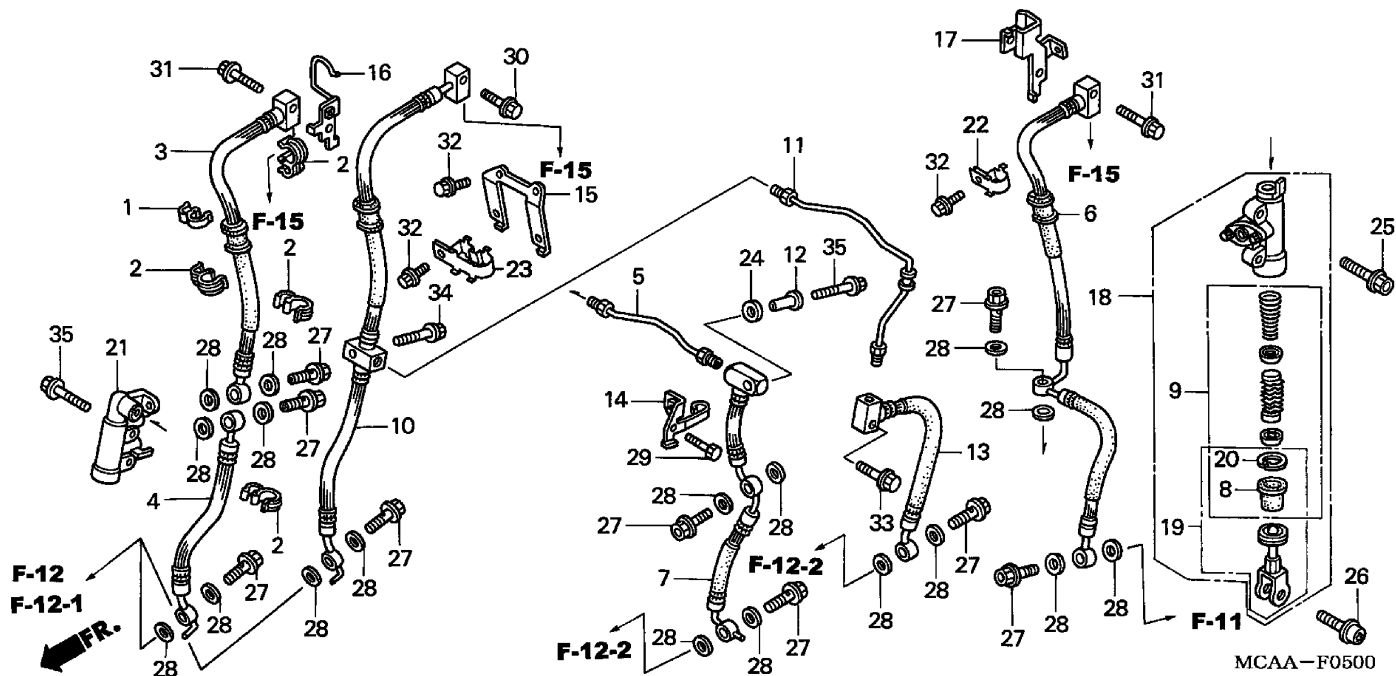
5 =GL1800'05
5A=GL1800A'05

F-4

Frame
Serial Number

Ref	Description	Model	From	To	QTY	Part Number	H/C
37	SCREW-WASHER (5X10)	5 5A	-----	-----	1	93892-05010-08	0499855
38	SCREW-WASHER (5X20)	5 5A	-----	-----	1	93892-05020-08	0485979
39	SCREW-WASHER (5X25)	5 5A	-----	-----	3	93892-05025-07	1113539
40	SCREW-WASHER (5X45)	5 5A	-----	-----	1	93892-05045-07	0692699
41	SCREW-WASHER (5X32)	5 5A	-----	-----	1	93893-05032-08	2829372
42	SCREW, TAPPING (3X8).....	5 5A	-----	-----	9	93901-32120	0695759
43	SCREW, TAPPING (3X10).....	5 5A	-----	-----	33	93901-32220	1018290
44	SCREW, TAPPING (3X12).....	5 5A	-----	-----	1	93901-32320	0665174

DELAY VALVE



MCAA-F0500

5 =GL1800'05
5A=GL1800A'05

F-5

Frame
Serial Number

Ref	Description	Model	From	To	QTY	Part Number	H/C
1	CLAMP, PIPE	5A	-----	-----	1	11152-KS4-003	2474013
2	CLAMP, PIPE	5A	-----	-----	4	17368-KV7-671	2507630
3	SUB-HOSE A, BRAKE	5 5A	-----	-----	1	43322-MCA-003	6538144
4	SUB-HOSE B, BRAKE	5 5A	-----	-----	1	43323-MCA-003	6538151
5	SUB-PIPE B, BRAKE	5 5A	-----	-----	1	43324-MCA-000	6565220
6	SUB-HOSE C, BRAKE	5 5A	-----	-----	1	43325-MCA-003	6538185
7	SUB-HOSE D, BRAKE	5 5A	-----	-----	1	43328-MCA-003	6538193
8	BOOT	5 5A	-----	-----	1	43504-MB2-006	1429455
9	PISTON SET, MASTER CYLINDER	5 5A	-----	-----	1	43520-MAJ-G41	4979811
10	MAIN HOSE B, FR. BRAKE	5 5A	-----	-----	1	45127-MCA-003	6538243
11	MAIN PIPE B, FR. BRAKE	5 5A	-----	-----	1	45128-MCA-000	6538060
12	COLLAR, FR. BRAKE HOSE	5 5A	-----	-----	1	45129-MAE-000	4484085
13	MAIN HOSE C, FR. BRAKE	5 5A	-----	-----	1	45129-MCA-003	6538250
14	STAY, FR. BRAKE PIPE	5 5A	-----	-----	1	45156-MCA-A20	7528243
15	STAY, FR. BRAKE HOSE CLAMP	5 5A	-----	-----	1	45159-MCA-A20	7528250
16	STAY, R. FR. BRAKE HOSE	5 5A	-----	-----	1	45161-MCA-000	6539209
17	STAY, L. FR. BRAKE HOSE	5 5A	-----	-----	1	45162-MCA-000	6539696
18	MASTER CYLINDER ASSY., SECOND.....	5 5A	-----	-----	1	45600-MCC-006	6543185

DELAY VALVE

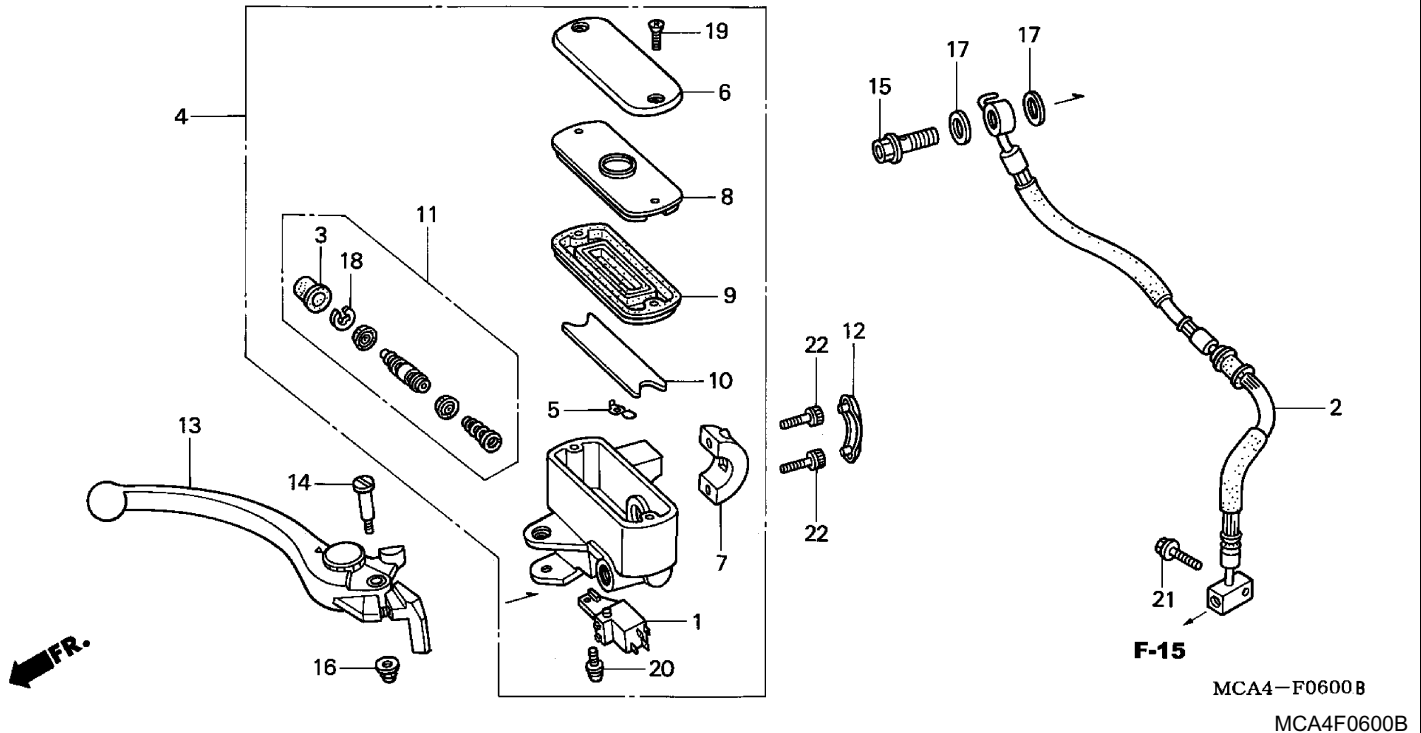
5 =GL1800'05
5A=GL1800A'05

F-5

Frame
Serial Number

Ref	Description	Model	From	To	QTY	Part Number	H/C
19	JOINT SET, BRAKE ROD	5 5A	-----	-----	1	45630-MAT-006	5214994
20	CIRCLIP, MASTER CYLINDER	5 5A	-----	-----	1	46182-500-013	0506139
21	VALVE ASSY., DELAY	5 5A	-----	-----	1	46300-MCA-006	6620199
22	CLAMP A, BRAKE HOSE.....	5 5A	-----	-----	1	52115-MCA-A20	7544919
23	CLAMP B, BRAKE HOSE.....	5 5A	-----	-----	1	52116-MCA-A20	7544927
24	RUBBER, SEAT HINGE.....	5 5A	-----	-----	1	77218-GB2-720	4485165
25	BOLT, FLANGE SOCKET (8X32)	5 5A	-----	-----	2	90133-MAT-000	5216189
26	BOLT, TORX (8X25).....	5 5A	-----	-----	1	90134-MAT-000	5216197
27	BOLT, OIL (10X22).....	5 5A	-----	-----	9	90145-MS9-612	5369418
28	WASHER, OIL BOLT	5 5A	-----	-----	18	90545-300-000	0189902
29	BOLT, HEX. (6X45)	5 5A	-----	-----	1	93201-06045-0G	6622450
30	BOLT, FLANGE (6X25)	5 5A	-----	-----	1	95801-06025-07	3039765
31	BOLT, FLANGE (6X30)	5 5A	-----	-----	2	95801-06030-07	3678349
32	BOLT, FLANGE (6X12)	5 5A	-----	-----	4	96001-06012-07	2105948
33	BOLT, FLANGE (6X25)	5 5A	-----	-----	1	96001-06025-00	2105989
34	BOLT, FLANGE (6X25)	5 5A	-----	-----	1	96001-06025-07	2105997
35	BOLT, FLANGE (6X30)	5 5A	-----	-----	3	96001-06030-07	4009569

FRONT BRAKE MASTER CYLINDER



5 =GL1800'05
5A=GL1800A'05

F-6

Frame
Serial Number

Ref	Description	Model	From	To	QTY	Part Number	H/C
1	SWITCH ASSY., FR. STOP & CRUISE	5 5A	-----	-----	1	35340-MCA-000	6619514
2	MAIN HOSE A, FR. BRAKE	5 5A	-----	-----	1	45124-MCA-003	6538227
3	BOOT	5 5A	-----	-----	1	45504-410-003	1211820
4	MASTER CYLINDER SUB-ASSY., FR.	5 5A	-----	-----	1	45510-MCA-006	6543169
5	PROTECTOR	5 5A	-----	-----	1	45512-MA6-006	1235688
6	CAP, MASTER CYLINDER	5 5A	-----	-----	1	45513-MAM-A61	5170535
7	HOLDER, MASTER CYLINDER.....	5 5A	-----	-----	1	45517-MAM-A62	6438253
8	PLATE, DIAPHRAGM (NISSIN).....	5 5A	-----	-----	1	45518-MM5-006	2550325
9	DIAPHRAGM (NISSIN).....	5 5A	-----	-----	1	45520-MM5-006	2550333
10	FLOAT, FR. MASTER CYLINDER (NISSIN)	5 5A	-----	-----	1	45523-MM5-006	2820942
11	PISTON SET, FR. MASTER CYLINDER	5 5A	-----	-----	1	45530-MCA-006	6543177
12	CAP, BRAKE MASTER CYLINDER HOLDER.....	5 5A	-----	-----	1	45553-MAM-A60	5170550
13	LEVER ASSY., R. HANDLE	5 5A	-----	-----	1	53170-MCA-006	6565279
14	BOLT, HANDLEBAR	5 5A	-----	-----	1	90114-MG9-951	1954270
15	BOLT, OIL (10X22).....	5 5A	-----	-----	1	90145-MS9-612	5369418
16	NUT, CAP (6MM)	5 5A	-----	-----	1	90202-ZV0-000	1816453
17	WASHER, OIL BOLT	5 5A	-----	-----	2	90545-300-000	0189902

FRONT BRAKE MASTER CYLINDER

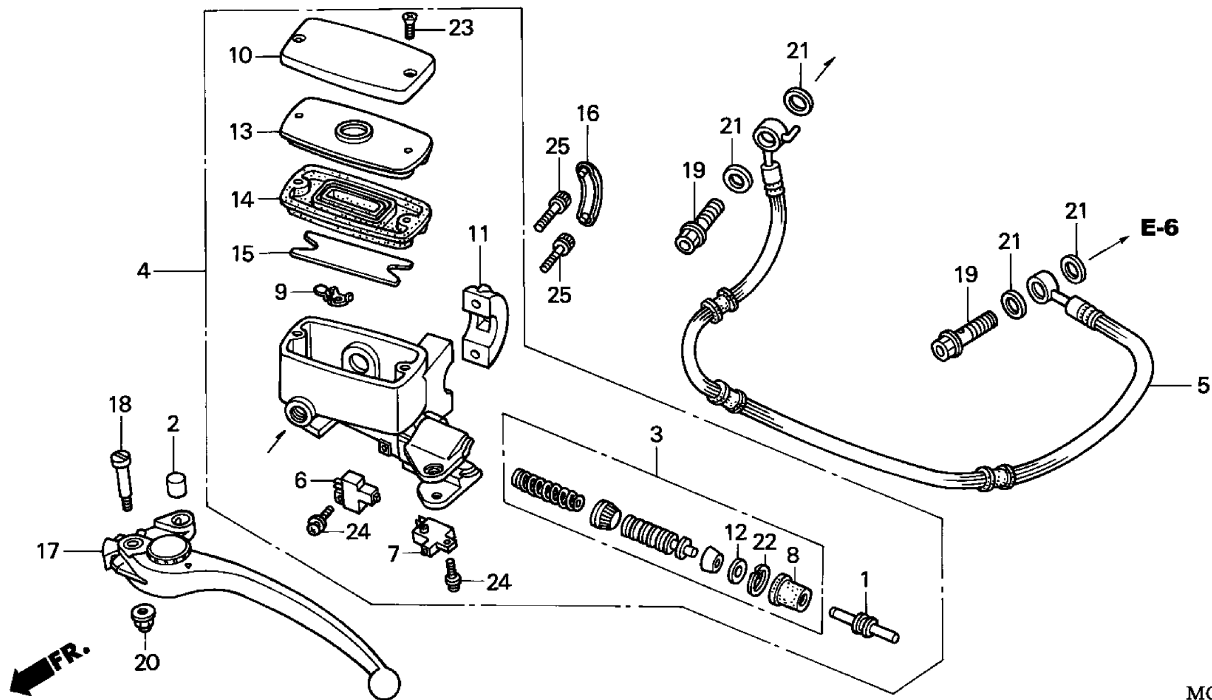
5 =GL1800'05
5A=GL1800A'05

F-6

Frame
Serial Number

Ref	Description	Model	From	To	QTY	Part Number	H/C
18	CIRCLIP	5 5A	-----	-----	1	90651-MA5-671	1251404
19	SCREW, FLAT (4X12)	5 5A	-----	-----	2	93600-04012-0G	1218601
	SCREW, FLAT (4X12)	5 5A	-----	-----	2	93600-04012-1G	1237346
20	SCREW-WASHER (4X12)	5 5A	-----	-----	1	93893-04012-07	1374008
	SCREW-WASHER (4X12)	5 5A	-----	-----	1	93893-04012-17	1237353
21	BOLT, FLANGE (6X25)	5 5A	-----	-----	1	95801-06025-07	3039765
22	BOLT, SOCKET (6X20)	5 5A	-----	-----	2	96600-06020-17	3499670

CLUTCH MASTER CYLINDER



MCA4-F0700B
MCA4F0700B

5 =GL1800'05
5A=GL1800A'05

F-7

Frame
Serial Number

Ref	Description	Model	From	To	QTY	Part Number	H/C
1	ROD, PUSH	5 5A	-----	-----	1	22884-MB0-006	1245729
2	BUSH	5 5A	-----	-----	1	22885-MB0-006	1245737
3	PISTON SET, MASTER	5 5A	-----	-----	1	22886-MCA-006	6542963
4	MASTER CYLINDER SUB-ASSY., CLUTCH.....	5 5A	-----	-----	1	22890-MCA-006	6542971
5	HOSE, CLUTCH.....	5 5A	-----	-----	1	22900-MCA-000	6538078
6	SWITCH ASSY., CLUTCH	5 5A	-----	-----	1	35330-MB0-003	1246859
7	SWITCH ASSY., CLUTCH CRUISE (TOYO).....	5 5A	-----	-----	1	35335-MG9-951	1953199
8	BOOT	5 5A	-----	-----	1	45504-410-003	1211820
9	PROTECTOR.....	5 5A	-----	-----	1	45512-MA6-006	1235688
10	CAP, MASTER CYLINDER	5 5A	-----	-----	1	45513-MAM-A61	5170535
11	HOLDER, MASTER CYLINDER.....	5 5A	-----	-----	1	45517-MAM-A62	6438253
12	PLATE, STOPPER.....	5 5A	-----	-----	1	45518-MB0-006	1267293
13	PLATE, DIAPHRAGM (NISSIN).....	5 5A	-----	-----	1	45518-MM5-006	2550325
14	DIAPHRAGM (NISSIN).....	5 5A	-----	-----	1	45520-MM5-006	2550333
15	FLOAT, FR. MASTER CYLINDER (NISSIN)	5 5A	-----	-----	1	45523-MN5-006	2820942
16	CAP, BRAKE MASTER CYLINDER HOLDER.....	5 5A	-----	-----	1	45553-MAM-A60	5170550

CLUTCH MASTER CYLINDER

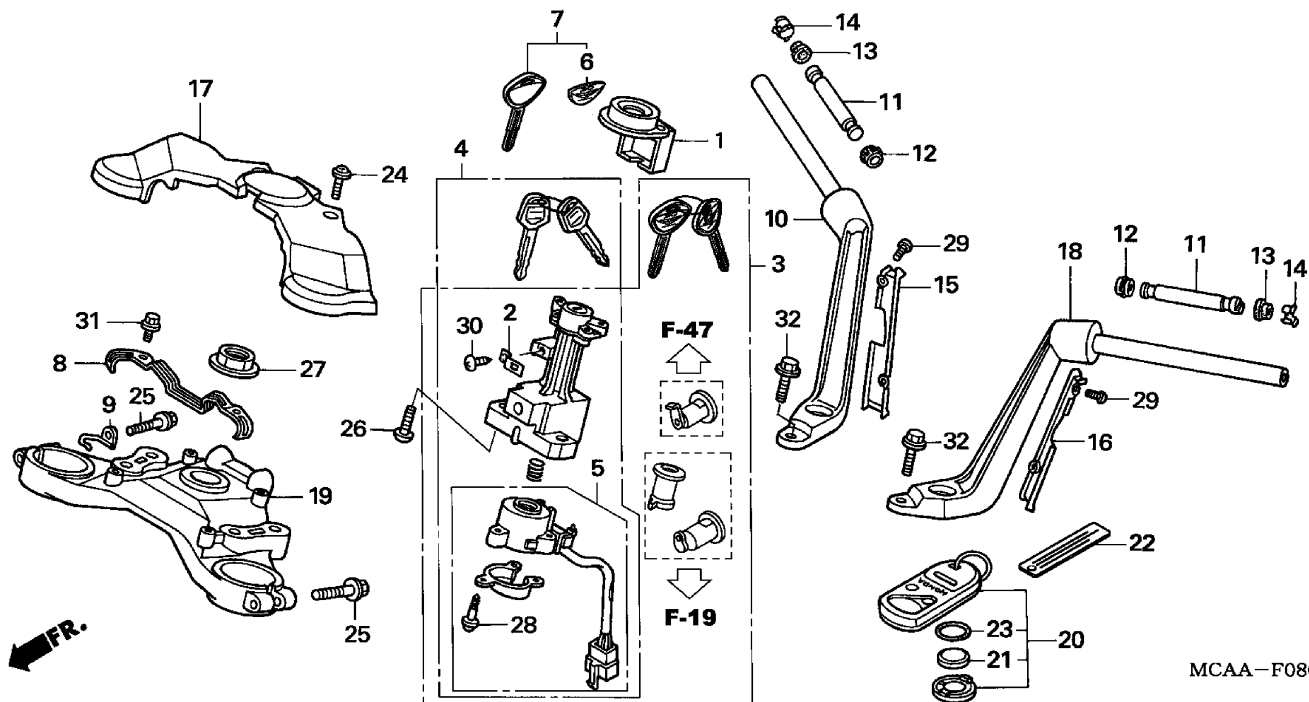
5 =GL1800'05
5A=GL1800A'05

F-7

Frame
Serial Number

Ref	Description	Model	From	To	QTY	Part Number	H/C
17	LEVER ASSY., L. HANDLE	5 5A	-----	-----	1	53180-MCA-006	6543219
18	BOLT, HANDLEBAR	5 5A	-----	-----	1	90114-MG9-951	1954270
19	BOLT, OIL (10X22).....	5 5A	-----	-----	2	90145-MS9-612	5369418
20	NUT, CAP (6MM)	5 5A	-----	-----	1	90202-ZV0-000	1816453
21	WASHER, OIL BOLT	5 5A	-----	-----	4	90545-300-000	0189902
22	CIRCLIP (INNER) (18MM)	5 5A	-----	-----	1	90651-377-003	0400572
23	SCREW, FLAT (4X12)	5 5A	-----	-----	2	93600-04012-0G	1218601
	SCREW, FLAT (4X12)	5 5A	-----	-----	2	93600-04012-1G	1237346
24	SCREW-WASHER (4X12)	5 5A	-----	-----	2	93893-04012-07	1374008
	SCREW-WASHER (4X12)	5 5A	-----	-----	2	93893-04012-17	1237353
25	BOLT, SOCKET (6X20)	5 5A	-----	-----	2	96600-06020-17	3499670

HANDLEBAR • TOP BRIDGE



MCAA-F0800

MCAAF0800

5 =GL1800'05
5A=GL1800A'05

F-8

Frame
Serial Number

Ref	Description	Model	From	To	QTY	Part Number	H/C
1	COVER, COMBINATION SWITCH TOP	5 5A	-----	-----	1	30430-MCA-671	6619225
2	STAY, CONNECTOR	5 5A	-----	-----	1	32127-MCA-003	6636997
3	LOCK SET (TYPE1)	5 5A	-----	-----	1	35010-MCA-A40ZA	7797608
	LOCK SET (TYPE2)	5 5A	-----	-----	1	35010-MCA-A40ZB	7797616
	LOCK SET (TYPE3)	5 5A	-----	-----	1	35010-MCA-A40ZC	7797624
	LOCK SET (TYPE4)	5 5A	-----	-----	1	35010-MCA-A40ZD	7797632
	LOCK SET (TYPE5)	5 5A	-----	-----	1	35010-MCA-A40ZE	7797640
	LOCK SET (TYPE6)	5 5A	-----	-----	1	35010-MCA-A40ZF	7797657
4	SWITCH ASSY., COMBINATION & LOCK	5 5A	-----	-----	1	35100-MCA-671	6637011
5	BASE, CONTACT	5 5A	-----	-----	1	35101-MCA-671	7841505
6	EMBLEM, KEY (TYPE1)	5 5A	-----	-----	(2)	35113-MCA-A41ZA	7797699
	EMBLEM, KEY (TYPE2)	5 5A	-----	-----	(2)	35113-MCA-A41ZB	7797707
	EMBLEM, KEY (TYPE3)	5 5A	-----	-----	(2)	35113-MCA-A41ZC	7797715
	EMBLEM, KEY (TYPE4)	5 5A	-----	-----	(2)	35113-MCA-A41ZD	7797723
	EMBLEM, KEY (TYPE5)	5 5A	-----	-----	(2)	35113-MCA-A41ZE	7797731
	EMBLEM, KEY (TYPE6)	5 5A	-----	-----	(2)	35113-MCA-A41ZF	7797749
7	KEY, BLANK (TYPE1)	5 5A	-----	-----	(1)	35121-MCA-A40ZA	7797756
	KEY, BLANK (TYPE2)	5 5A	-----	-----	(1)	35121-MCA-A40ZB	7797764

HANDLEBAR • TOP BRIDGE

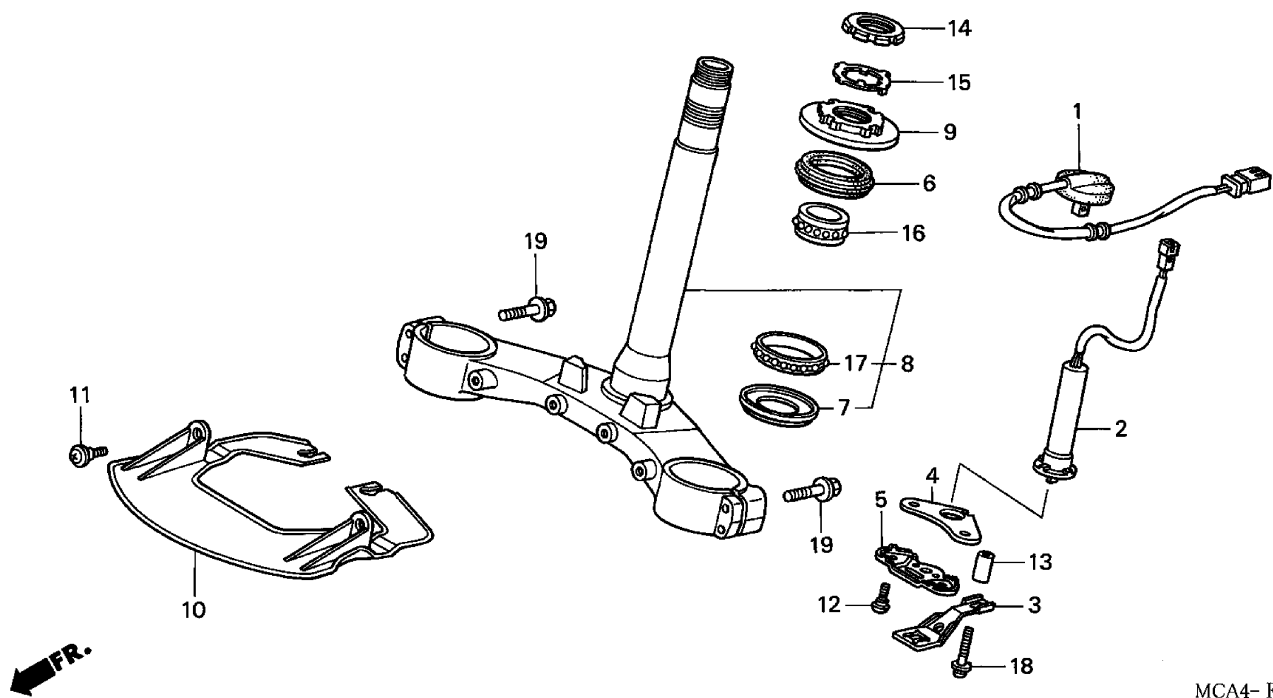
5 =GL1800'05
5A=GL1800A'05

F-8

Frame
Serial Number

Ref	Description	Model	From	To	QTY	Part Number	H/C
7	KEY, BLANK (TYPE3)	5 5A	-----	-----	(1)	35121-MCA-A40ZC	7797772
	KEY, BLANK (TYPE4)	5 5A	-----	-----	(1)	35121-MCA-A40ZD	7797780
	KEY, BLANK (TYPE5)	5 5A	-----	-----	(1)	35121-MCA-A40ZE	7797798
	KEY, BLANK (TYPE6)	5 5A	-----	-----	(1)	35121-MCA-A40ZF	7797806
8	GUIDE, FR. BRAKE HOSE	5 5A	-----	-----	1	45163-MCA-000	6539266
9	GUIDE, THROTTLE CABLE.....	5 5A	-----	-----	1	50152-MCA-000	6620231
10	HANDLEBAR ASSY., R.....	5 5A	-----	-----	1	53100-MCA-A20	7527757
11	WEIGHT, HANDLEBAR (B)	5 5A	-----	-----	2	53105-KV3-000	3117017
12	RUBBER, HANDLE WEIGHT (A).....	5 5A	-----	-----	2	53106-MJ0-000	2071496
13	RUBBER, HANDLE WEIGHT (B).....	5 5A	-----	-----	2	53107-MJ0-000	2071504
14	RING, HANDLE WEIGHT SNAP	5 5A	-----	-----	2	53108-MJ0-000	2071512
15	COVER, R. HANDLE	5 5A	-----	-----	1	53110-MCA-A20	7528730
16	COVER, L. HANDLE	5 5A	-----	-----	1	53120-MCA-A20	7528748
17	COVER, HANDLE CENTER.....	5 5A	-----	-----	1	53130-MCA-000	6538854
18	HANDLEBAR ASSY., L.	5 5A	-----	-----	1	53150-MCA-A20	7527765
19	BRIDGE, FORK TOP	5 5A	-----	-----	1	53230-MCA-000	6620587
20	TRANSMITTER ASSY., KEYLESS	5 5A	-----	-----	1	72147-MCA-671	6638050
21	BATTERY	5 5A	-----	-----	1	72148-S10-003	5328471
	BATTERY (CR2025).....	5 5A	-----	-----	1	72148-S84-A10	5441936
22	CAUTION LABEL (JAPANESE/ENGLISH)	5 5A	-----	-----	1	72149-MCA-A41	7794597
23	O-RING.....	5 5A	-----	-----	1	72149-S10-003	5328489
24	SCREW, HINGE PATCH	5 5A	-----	-----	2	90101-GE0-000	1718964
25	BOLT, FLANGE (8X45)	5 5A	-----	-----	2	90101-MCA-A20	7545098
26	BOLT, ONE-WAY (8X34)	5 5A	-----	-----	2	90108-MCA-000	6762470
27	NUT, STEERING STEM.....	5 5A	-----	-----	1	90304-MJ4-670	2072858
28	SCREW, TAPPING (3X16).....	5 5A	-----	-----	3	91059-MG9-681	1954445
29	SCREW, PAN (5X10)	5 5A	-----	-----	4	93500-05010-0G	0583195
	SCREW, PAN (5X10)	5 5A	-----	-----	4	93500-05010-1G	0822965
30	SCREW, TAPPING (3X8).....	5 5A	-----	-----	1	93901-32120	0695759
31	BOLT, FLANGE (6X12)	5 5A	-----	-----	2	96001-06012-07	2105948
32	BOLT, FLANGE (10X35)	5 5A	-----	-----	4	96400-10035-00	2209807

STEERING STEM



MCA4- F0900
MCA4F0900

5 =GL1800'05
5A=GL1800A'05

F-9

Frame
Serial Number

Ref	Description	Model	From	To	QTY	Part Number	H/C
1	SUB-WIRE, CANCEL	5 5A	-----	-----	1	32108-MCA-000	6537534
2	CANCEL UNIT, TURN SIGNAL	5 5A	-----	-----	1	35220-MCA-003	6619498
3	SUPPORT, SENSOR	5 5A	-----	-----	1	50231-MB9-010	2047330
4	PLATE, ANGLE SENSOR (UPPER)	5 5A	-----	-----	1	50261-MCA-000	6620249
5	PLATE, ANGLE SENSOR (LOWER)	5 5A	-----	-----	1	50262-MCA-000	6620256
6	DUST SEAL, STEERING HEAD (ARAI).....	5 5A	-----	-----	1	53214-KA4-701	1186980
7	DUST SEAL, STEERING HEAD (ARAI).....	5 5A	-----	-----	1	53214-MR7-003	3450889
8	STEM SUB-ASSY., STEERING	5 5A	-----	-----	1	53219-MCA-A00	7119399
9	THREAD, STEERING HEAD TOP	5 5A	-----	-----	1	53220-MW0-000	4044889
10	PROTECTOR, WIND	5 5A	-----	-----	1	61403-MCA-000	6538862
11	SCREW, HINGE PATCH	5 5A	-----	-----	2	90101-GEO-000	1718964
12	SCREW, SPECIAL (6MM)	5 5A	-----	-----	2	90106-MBA-610	5391990
13	COLLAR, SENSOR SUPPORT	5 5A	-----	-----	1	90113-MCA-000	6621684
14	THREAD, STEERING HEAD TOP (B)	5 5A	-----	-----	1	90302-425-830	0823930
15	WASHER, LOCK	5 5A	-----	-----	1	90506-425-830	0823948
16	BEARING, HEAD PIPE (UPPER).....	5 5A	-----	-----	1	91015-KT8-005	2492825
17	BEARING, HEAD PIPE	5 5A	-----	-----	1	91016-MR7-003	3453792
18	SCREW-WASHER (5X30)	5 5A	-----	-----	1	93894-05030-08	6516918

STEERING STEM

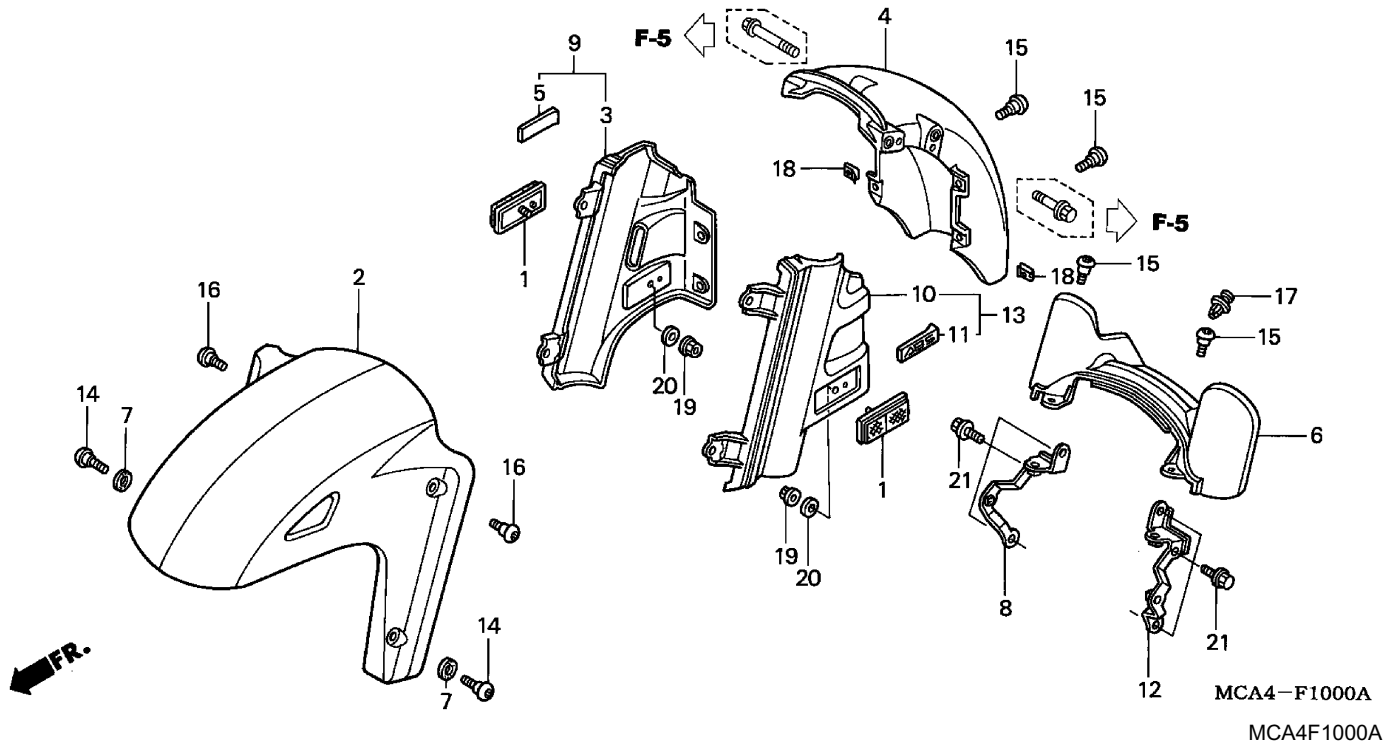
5 =GL1800'05
5A=GL1800A'05

F-9

Frame
Serial Number

Ref	Description	Model	From	To	QTY	Part Number	H/C
19	BOLT, FLANGE (8X35)	5 5A	-----	-----	4	95701-08035-00	2724029

FRONT FENDER



5 =GL1800'05
5A=GL1800A'05

F-10

Frame
Serial Number

Ref	Description	Model	From	To	QTY	Part Number	H/C
1	REFLECTOR, FR. REFLEX.....	5 5A	-----	-----	2	33741-ME9-673	3780640
2	FENDER A, FR. *Y130P* (PEARL HOT ROD YELLOW)	5 5A	-----	-----	1	61101-MCA-000ZD	6540033
	FENDER A, FR. *R287M* (BLOODSTONE RED METALLIC)	5 5A	-----	-----	1	61101-MCA-000ZM	7526734
	FENDER A, FR. *NHA29* (ARCTIC WHITE).....	5 5A	-----	-----	1	61101-MCA-000ZQ	7526767
	FENDER A, FR. *NHA27M* (BILLET SILVER METALLIC).....	5 5A	-----	-----	1	61101-MCA-000ZR	7794191
	FENDER A, FR. *PB356M* (NOVA BLUE METALLIC).....	5 5A	-----	-----	1	61101-MCA-000ZT	7794209
	FENDER A, FR. *NHA45M* (PORTLAND GRAY METALLIC)	5 5A	-----	-----	1	61101-MCA-000ZU	7794217
3	COVER, R. FR. FENDER.....	5 5A	-----	-----	1	61102-MCA-000	6540058
4	FENDER B, FR. *Y130P* (PEARL HOT ROD YELLOW)	5 5A	-----	-----	1	61103-MCA-000ZD	6540223
	FENDER B, FR. *R287M* (BLOODSTONE RED METALLIC)	5 5A	-----	-----	1	61103-MCA-000ZM	7527393
	FENDER B, FR. *NHA29* (ARCTIC WHITE).....	5 5A	-----	-----	1	61103-MCA-000ZQ	7527427

FRONT FENDER

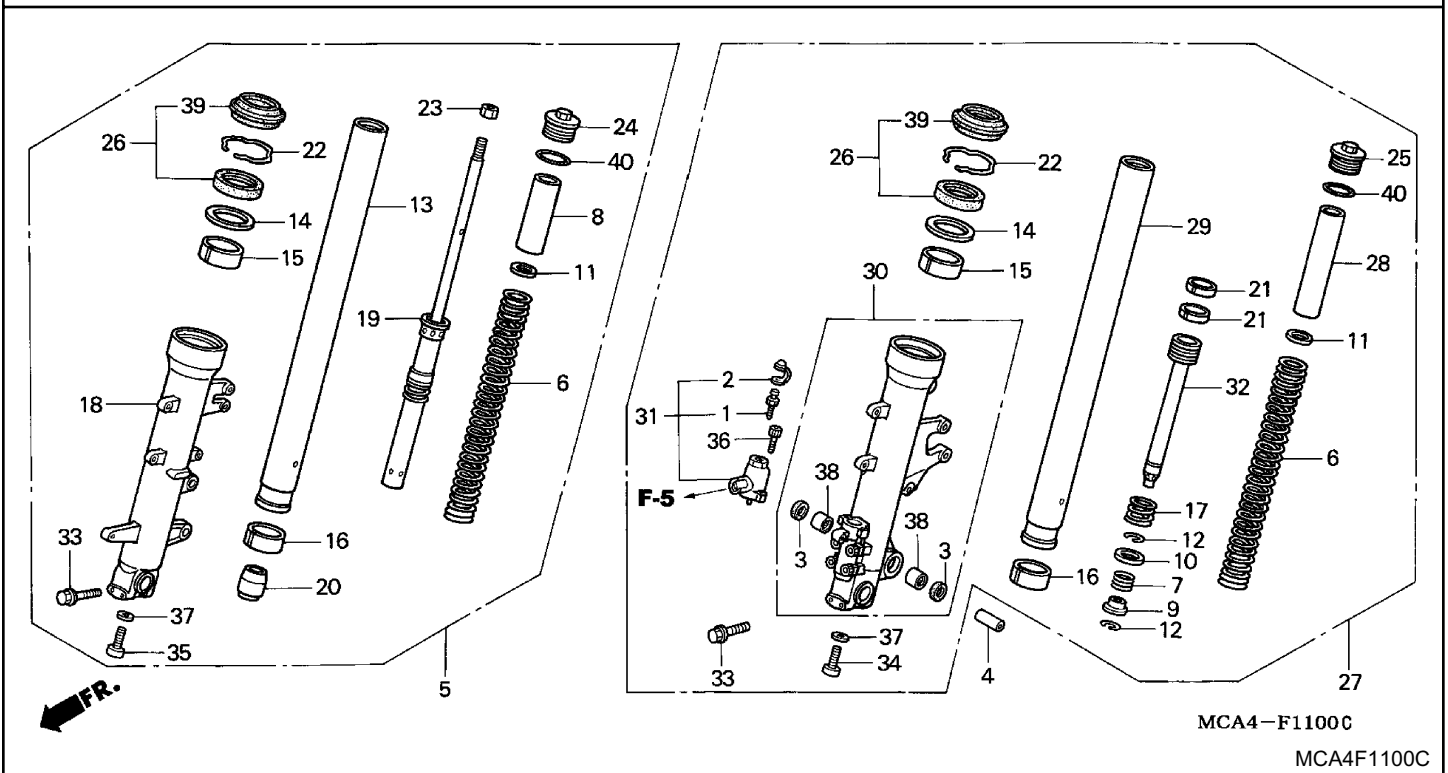
5 =GL1800'05
5A=GL1800A'05

F-10

Frame
Serial Number

Ref	Description	Model	From	To	QTY	Part Number	H/C
4	FENDER B, FR. *NHA27M* (BILLET SILVER METALLIC).....	5 5A	-----	-----	1	61103-MCA-000ZR	7794225
	FENDER B, FR. *PB356M* (NOVA BLUE METALLIC).....	5 5A	-----	-----	1	61103-MCA-000ZT	7794233
	FENDER B, FR. *NHA45M* (PORTLAND GRAY METALLIC)	5 5A	-----	-----	1	61103-MCA-000ZU	7802002
5	EMBLEM, R. (ABS)	5A	-----	-----	1	61104-MCA-A50	7840093
6	COVER, FR. FORK	5 5A	-----	-----	1	61105-MCA-000	6540249
7	WASHER, RUBBER.....	5 5A	-----	-----	2	61108-MCA-000	6620603
8	STAY, R. FR. FENDER	5 5A	-----	-----	1	61109-MCA-000	6565287
9	FENDER SET, R. FR.....	5A	-----	-----	1	61110-MCA-A50	7802010
10	COVER, L. FR. FENDER	5 5A	-----	-----	1	61112-MCA-000	6540264
11	EMBLEM, L. (ABS).....	5A	-----	-----	1	61114-MCA-A50	7840101
12	STAY, L. FR. FENDER.....	5 5A	-----	-----	1	61119-MCA-000	6539712
13	FENDER SET, L. FR.....	5A	-----	-----	1	61120-MCA-A50	7794258
14	SCREW, SPECIAL (6X19)	5 5A	-----	-----	2	90104-MM4-000	2568830
15	SCREW, SPECIAL (5X12)	5 5A	-----	-----	6	90106-MBY-000	6092043
16	SCREW, PAN (6X14)	5 5A	-----	-----	2	90113-MM5-000	2568855
17	CLIP, SPLASH	5 5A	-----	-----	1	90657-SB0-003	1477280
18	NUT, CLIP (5MM).....	5 5A	-----	-----	4	90677-KAN-961	5750450
19	NUT, FLANGE (5MM).....	5 5A	-----	-----	2	94050-05080	0612671
20	WASHER, PLAIN (5MM)	5 5A	-----	-----	2	94101-05800	0285791
21	BOLT, FLANGE (6X12)	5 5A	-----	-----	6	96001-06012-00	2105930

FRONT FORK



5 =GL1800'05 5A=GL1800A'05	F-11 Frame Serial Number	
-------------------------------	--	--

Ref	Description	Model	From	To	QTY	Part Number	H/C
1	SCREW, BLEEDER	5 5A	-----	-----	1	43352-568-003	0505735
2	CAP, BLEEDER	5 5A	-----	-----	1	43353-461-771	0954230
3	DUST SEAL, BRAKE CAM.....	5 5A	-----	-----	2	45134-KB7-005	1221399
4	COLLAR, PIVOT.....	5 5A	-----	-----	1	45452-MZ2-000	4181392
5	FORK ASSY., R. FR.	5 5A	-----	-----	1	51400-MCA-003	6538441
6	SPRING, FR. FORK.....	5 5A	-----	-----	2	51401-MCA-003	6538458
7	SPRING, OIL LOCK	5 5A	-----	-----	1	51402-MB7-611	1289222
8	COLLAR, SPRING	5 5A	-----	-----	1	51402-MCA-003	6538466
9	VALVE, OIL LOCK	5 5A	-----	-----	1	51403-MCA-003	6538474
10	SEAT, SPRING.....	5 5A	-----	-----	1	51404-MB7-611	1289255
11	SEAT, SPRING.....	5 5A	-----	-----	2	51405-KA4-711	1321751
12	RING, STOPPER	5 5A	-----	-----	2	51405-MB7-611	1289263
13	PIPE, R. FR. FORK	5 5A	-----	-----	1	51410-MCA-003	6538482
14	RING, BACK-UP.....	5 5A	-----	-----	2	51412-KZ3-003	3009669
15	BUSH, GUIDE	5 5A	-----	-----	2	51414-MCA-003	6538490
16	BUSH, SLIDER.....	5 5A	-----	-----	2	51415-MCA-003	6538508
17	SPRING, FR. REBOUND (3.5KGMM) (SHOWA)	5 5A	-----	-----	1	51416-KA4-831	1916857

FRONT FORK

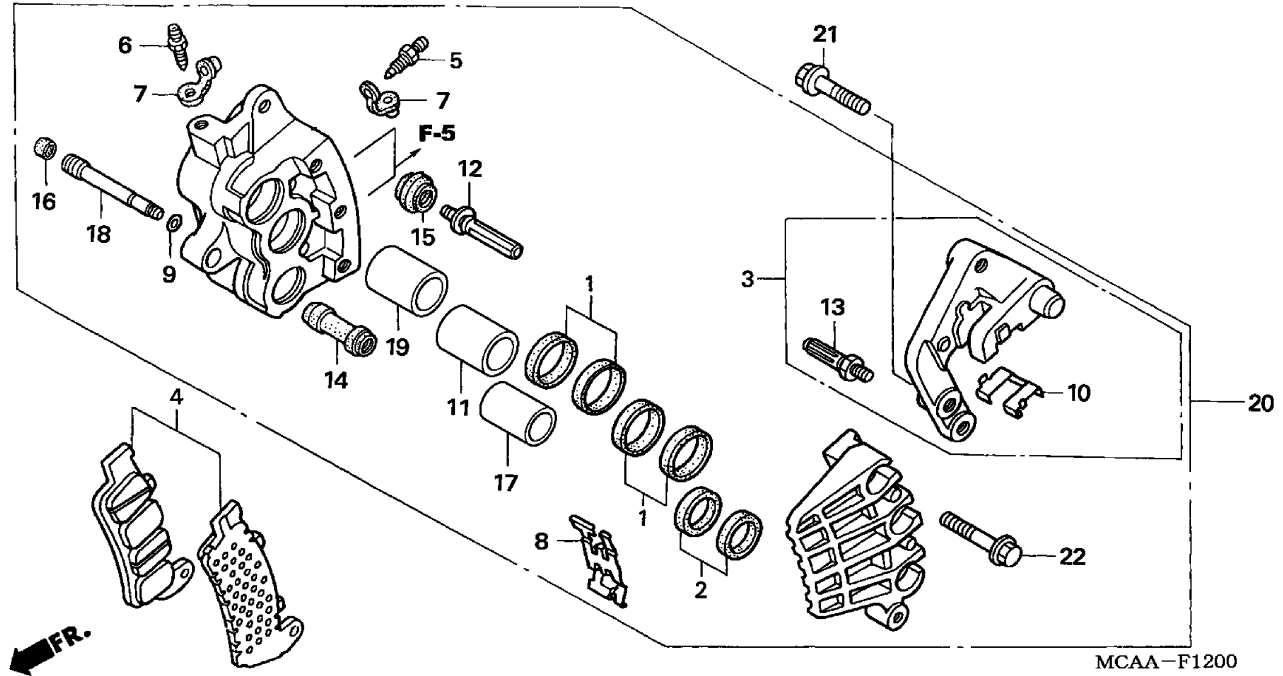
5 =GL1800'05
5A=GL1800A'05

F-11

Frame
Serial Number

Ref	Description	Model	From	To	QTY	Part Number	H/C
18	CASE, R. (LOWER)	5 5A	-----	-----	1	51420-MCA-003	6538516
19	DAMPER, FR.....	5 5A	-----	-----	1	51430-MCA-003	6538524
20	PIECE, OIL LOCK	5 5A	-----	-----	1	51432-MCA-003	6538565
21	RING, PISTON	5 5A	-----	-----	2	51437-MCA-003	6538573
22	RING, OIL SEAL STOPPER.....	5 5A	-----	-----	2	51447-KZ3-003	3009743
23	NUT, HEX. (10MM).....	5 5A	-----	-----	1	51451-MAJ-G41	5023437
24	BOLT, FR. FORK	5 5A	-----	-----	1	51454-MBR-003	6541205
25	BOLT, FR. FORK	5 5A	-----	-----	1	51454-MCA-003	6538581
26	SEAL SET, FR. FORK	5 5A	-----	-----	2	51490-MCA-003	6538607
27	FORK ASSY., L. FR.	5 5A	-----	-----	1	51500-MCA-781	6722730
28	COLLAR B, SPRING	5 5A	-----	-----	1	51502-MCA-003	6538631
29	PIPE, L. FR. FORK.....	5 5A	-----	-----	1	51510-MCA-003	6538649
30	CASE ASSY., L. (LOWER).....	5 5A	-----	-----	1	51520-MCA-003	6538656
31	CASE, PLUNGER.....	5 5A	-----	-----	1	51530-MCA-003	6538664
32	PIPE, SEAT	5 5A	-----	-----	1	51540-MCA-003	6538672
33	BOLT, FLANGE (8X45)	5 5A	-----	-----	4	90109-MR7-000	3044211
34	BOLT, SOCKET (8MM) (SHOWA)	5 5A	-----	-----	1	90116-KV3-701	2959302
35	BOLT, SOCKET (8MM) (SHOWA)	5 5A	-----	-----	1	90116-383-721	0750919
36	BOLT, SOCKET (5X18)	5 5A	-----	-----	2	90118-MCA-003	6538706
37	WASHER, SPECIAL (8MM)	5 5A	-----	-----	2	90544-283-000	0259457
38	BEARING, NEEDLE (14X20X12)	5 5A	-----	-----	2	91101-KG8-003	4182440
39	DUST SEAL	5 5A	-----	-----	2	91254-MCA-003	6652697
40	O-RING (37.2X2.4) (SHOWA)	5 5A	-----	-----	2	91356-MW0-003	4046785

RIGHT FRONT BRAKE CALIPER (GL1800)



MCAA-F1200

MCAAF1200

5 =GL1800'05
5A=GL1800A'05

F-12

Frame
Serial Number

Ref	Description	Model	From	To	QTY	Part Number	H/C
1	SEAL SET, PISTON	5	-----	-----	2	06451-GE2-405	4102174
2	SEAL SET, PISTON	5	-----	-----	1	06451-MZ2-405	4179362
3	BRACKET SUB-ASSY., R. FR.	5	-----	-----	1	06453-MBG-405	5738521
4	PAD SET, FR.....	5	-----	-----	1	06456-MCA-006	6542955
5	SCREW, BLEEDER	5	-----	-----	1	43352-HC5-971	4075750
6	SCREW, BLEEDER	5	-----	-----	1	43352-568-003	0505735
7	CAP, BLEEDER	5	-----	-----	2	43353-461-771	0954230
8	SPRING, PAD.....	5	-----	-----	1	45108-MZ2-016	5687512
9	O-RING (2.5X1.5).....	5	-----	-----	1	45111-MAJ-G41	4979928
10	RETAINER, BRACKET.....	5	-----	-----	1	45112-MZ2-006	4181145
11	PISTON (25X27).....	5	-----	-----	1	45117-MAJ-G41	4979936
12	BOLT A, PIN (NISSIN)	5	-----	-----	1	45131-ML7-921	2918712
13	PIN, BOLT	5	-----	-----	1	45131-166-016	1046267
14	BUSH, PIN	5	-----	-----	1	45132-166-016	1046275
15	BOOT B	5	-----	-----	1	45133-MA3-006	1012012
16	PLUG, PIN	5	-----	-----	1	45203-MCC-006	6334387
17	PISTON (22X35) (B).....	5	-----	-----	1	45207-MAJ-G41	4980058
18	PIN, HANGER	5	-----	-----	1	45215-MAJ-G41	4980074

RIGHT FRONT BRAKE CALIPER (GL1800)

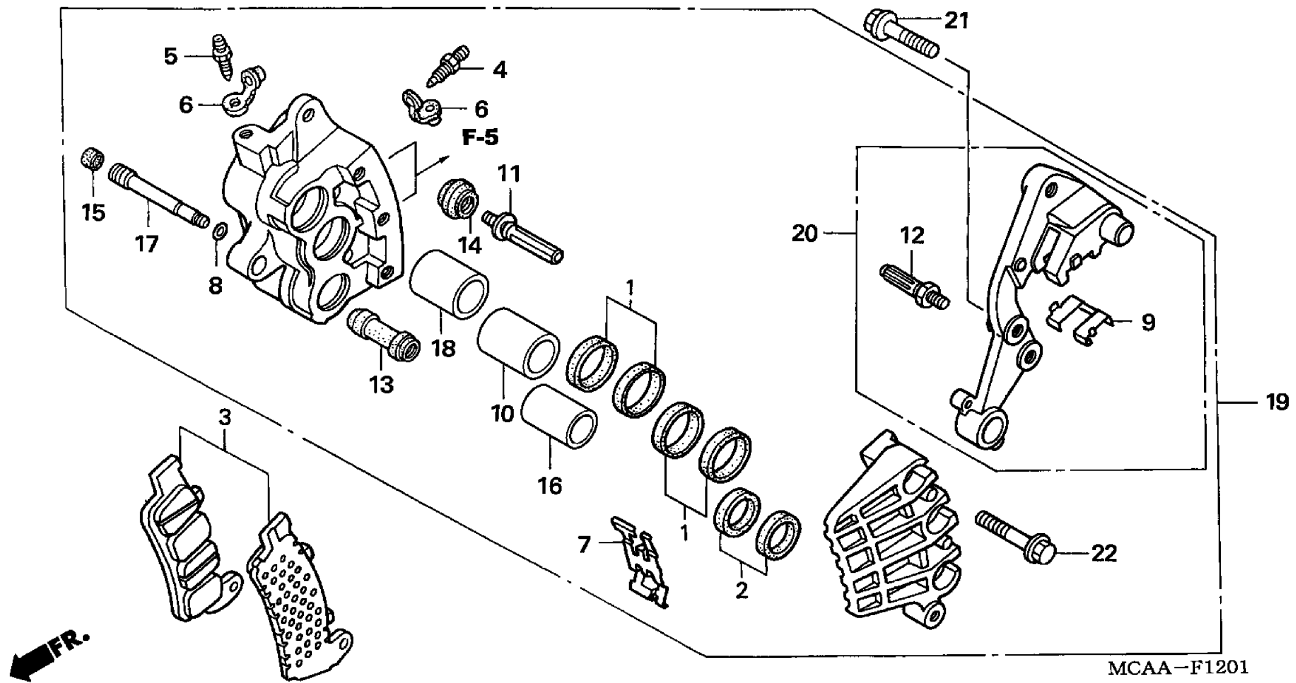
5 =GL1800'05
5A=GL1800A'05

F-12

Frame
Serial Number

Ref	Description	Model	From	To	QTY	Part Number	H/C
19	PISTON B (25X35)	5	-----	-----	1	45217-MAJ-G41	4980082
20	CALIPER SUB-ASSY., R. FR.	5	-----	-----	1	45250-MCA-006	6543136
21	BOLT, FLANGE (8X32)	5	-----	-----	2	90107-MT3-003	3487790
22	BOLT, FLANGE (8X45)	5	-----	-----	3	90135-MAJ-G41	4980744

RIGHT FRONT BRAKE CALIPER (GL1800A)



MCAA-F1201

MCAAF1201

5 =GL1800'05
5A=GL1800A'05

F-12-1

Frame
Serial Number

Ref	Description	Model	From	To	QTY	Part Number	H/C
1	SEAL SET, PISTON	5A	-----	-----	2	06451-GE2-405	4102174
2	SEAL SET, PISTON	5A	-----	-----	1	06451-MZ2-405	4179362
3	PAD SET, FR.....	5A	-----	-----	1	06456-MCA-006	6542955
4	SCREW, BLEEDER	5A	-----	-----	1	43352-HC5-971	4075750
5	SCREW, BLEEDER	5A	-----	-----	1	43352-568-003	0505735
6	CAP, BLEEDER	5A	-----	-----	2	43353-461-771	0954230
7	SPRING, PAD.....	5A	-----	-----	1	45108-MZ2-016	5687512
8	O-RING (2.5X1.5).....	5A	-----	-----	1	45111-MAJ-G41	4979928
9	RETAINER, BRACKET.....	5A	-----	-----	1	45112-MZ2-006	4181145
10	PISTON (25X27).....	5A	-----	-----	1	45117-MAJ-G41	4979936
11	BOLT A, PIN (NISSIN)	5A	-----	-----	1	45131-ML7-921	2918712
12	PIN, BOLT	5A	-----	-----	1	45131-166-016	1046267
13	BUSH, PIN	5A	-----	-----	1	45132-166-016	1046275
14	BOOT B	5A	-----	-----	1	45133-MA3-006	1012012
15	PLUG, PIN	5A	-----	-----	1	45203-MCC-006	6334387
16	PISTON (22X35) (B).....	5A	-----	-----	1	45207-MAJ-G41	4980058
17	PIN, HANGER	5A	-----	-----	1	45215-MAJ-G41	4980074
18	PISTON B (25X35).....	5A	-----	-----	1	45217-MAJ-G41	4980082

RIGHT FRONT BRAKE CALIPER (GL1800A)

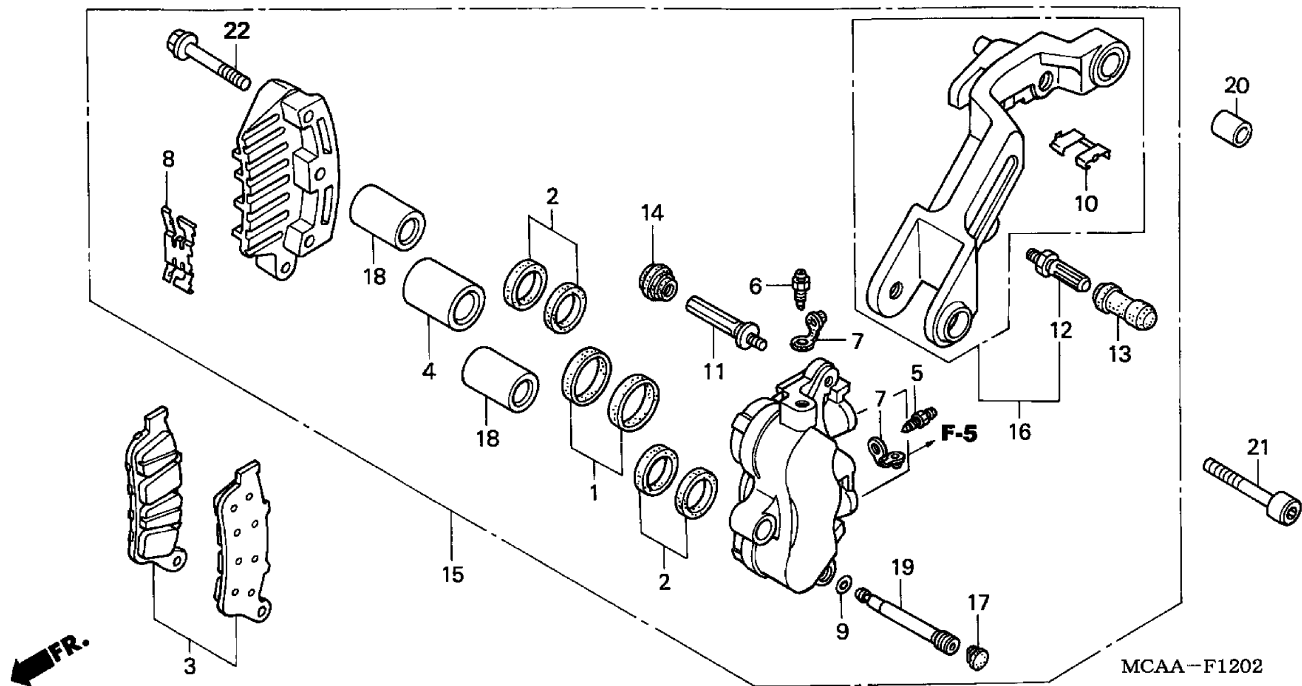
5 =GL1800'05
5A=GL1800A'05

F-12-1

Frame
Serial Number

Ref	Description	Model	From	To	QTY	Part Number	H/C
19	CALIPER SUB-ASSY., R. FR.	5A	-----	-----	1	45250-MCA-971	6543144
20	BRACKET SUB-ASSY., R. FR.	5A	-----	-----	1	45290-MCA-971	6543151
21	BOLT, FLANGE (8X32)	5A	-----	-----	2	90107-MT3-003	3487790
22	BOLT, FLANGE (8X45)	5A	-----	-----	3	90135-MAJ-G41	4980744

LEFT FRONT BRAKE CALIPER



MCAA-F1202

5 =GL1800'05
5A=GL1800A'05

F-12-2

Frame
Serial Number

Ref	Description	Model	From	To	QTY	Part Number	H/C
1	SEAL SET, PISTON	5 5A	-----	-----	1	06431-MA3-405	4124277
2	SEAL SET, PISTON	5 5A	-----	-----	2	06451-MZ2-405	4179362
3	PAD SET, FR.....	5 5A	-----	-----	1	06455-MCA-006	6542948
4	PISTON (27X27).....	5 5A	-----	-----	1	43107-MBG-006	5741103
5	SCREW, BLEEDER	5 5A	-----	-----	1	43352-HC5-971	4075750
6	SCREW, BLEEDER	5 5A	-----	-----	1	43352-568-003	0505735
7	CAP, BLEEDER	5 5A	-----	-----	2	43353-461-771	0954230
8	SPRING, PAD.....	5 5A	-----	-----	1	45108-MZ2-016	5687512
9	O-RING (2.5X1.5).....	5 5A	-----	-----	1	45111-MAJ-G41	4979928
10	RETAINER, BRACKET.....	5 5A	-----	-----	1	45112-MZ2-006	4181145
11	BOLT A, PIN (NISSIN)	5 5A	-----	-----	1	45131-ML7-921	2918712
12	PIN, BOLT	5 5A	-----	-----	1	45131-166-016	1046267
13	BUSH, PIN	5 5A	-----	-----	1	45132-166-016	1046275
14	BOOT B	5 5A	-----	-----	1	45133-MA3-006	1012012
15	CALIPER SUB-ASSY., L. FR.	5 5A	-----	-----	1	45150-MCA-006	6543110
16	BRACKET SUB-ASSY., L. FR.....	5 5A	-----	-----	1	45190-MCA-006	6543128
17	PLUG, PIN	5 5A	-----	-----	1	45203-MCC-006	6334387
18	PISTON (22X35) (B).....	5 5A	-----	-----	2	45207-MAJ-G41	4980058

LEFT FRONT BRAKE CALIPER

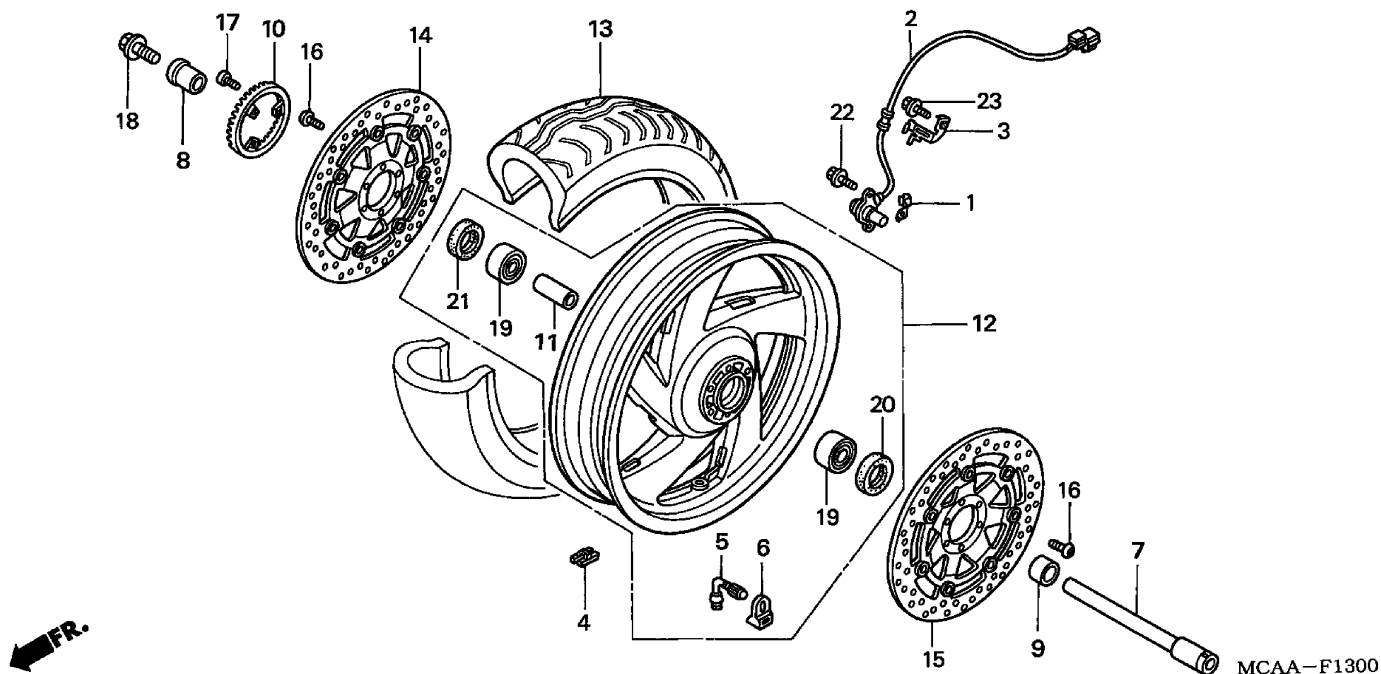
5 =GL1800'05
5A=GL1800A'05

F-12-2

Frame
Serial Number

Ref	Description	Model	From	To	QTY	Part Number	H/C
19	PIN, HANGER	5 5A	-----	-----	1	45215-MAJ-G41	4980074
20	COLLAR, L. CALIPER BRACKET	5 5A	-----	-----	1	45442-MAT-000	5214945
21	BOLT, SOCKET (8X48)	5 5A	-----	-----	1	90132-MZ2-000	4182390
22	BOLT, FLANGE (8X45)	5 5A	-----	-----	3	90135-MAJ-G41	4980744

FRONT WHEEL



MCAA-F1300

MCAAF1300

5 =GL1800'05
5A=GL1800A'05

F-13

Frame
Serial Number

Ref	Description	Model	From	To	QTY	Part Number	H/C
1	GUIDE, SENSOR WIRE.....	5A	-----	-----	1	38515-MCA-970	6619753
2	SENSOR, FR. WHEEL SPEED	5A	-----	-----	1	38520-MCA-971	6619761
3	STAY, FR. SPEED SENSOR.....	5A	-----	-----	1	38521-MCA-970	6619779
4	WEIGHT, BALANCE (10).....	5	5A	-----	AR	42704-MCF-D60	7841562
	WEIGHT, BALANCE (20).....	5	5A	-----	AR	42705-MCF-D60	7841570
	WEIGHT, BALANCE (30).....	5	5A	-----	AR	42706-MCF-D60	7841588
5	VALVE, RIM (DUNLOP).....	5	5A	-----	1	42753-MN5-004	2807246
6	HOLD, RIM VALVE.....	5	5A	-----	1	42754-MN5-000	2807253
7	AXLE, FR. WHEEL.....	5	5A	-----	1	44301-MCA-000	6620108
8	COLLAR, R. FR. WHEEL SIDE	5	5A	-----	1	44311-MCA-000	6620116
9	COLLAR, L. FR. WHEEL SIDE	5	5A	-----	1	44312-MCA-000	6620124
10	RING, FR. PULSER	5A	-----	-----	1	44515-MCA-971	6620132
11	COLLAR, FR. AXLE DISTANCE	5	5A	-----	1	44620-MCA-000	6620140
12	WHEEL SUB-ASSY., FR.....	5	5A	-----	1	44650-MCA-A00	7119373
13	TIRE, FR. (130/70R18 M/C 63H) (DUNLOP)	5	5A	-----	1	44711-MCA-A01	7084585
14	DISK, R. FR. BRAKE	5	5A	-----	1	45120-MCA-003	6537039
15	DISK, L. FR. BRAKE	5	5A	-----	1	45220-MCA-003	6537047

FRONT WHEEL

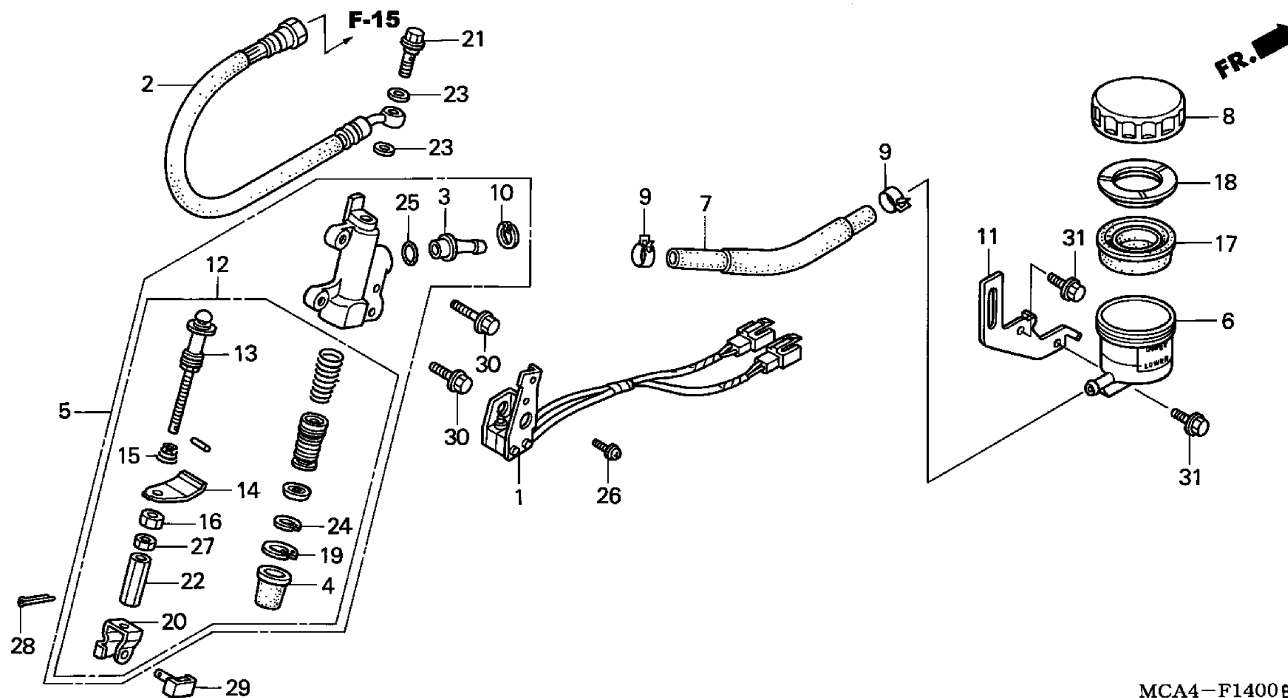
5 =GL1800'05
5A=GL1800A'05

F-13

Frame
Serial Number

Ref	Description	Model	From	To	QTY	Part Number	H/C
16	BOLT, BRAKE DISK (6X17).....	5 5A	-----	-----	12	90106-MBB-000	5365259
17	BOLT, TORX (5X10).....	5A	-----	-----	3	90131-KPB-751	6621841
18	BOLT, FR. AXLE	5 5A	-----	-----	1	90305-ML7-000	2408540
19	BEARING, RADIAL BALL (6004) (X2) (LU)	5 5A	-----	-----	2	91055-MCA-003	6622393
20	DUST SEAL (30X47X8)	5 5A	-----	-----	1	91253-443-761	1237197
	DUST SEAL (30X47X8)	5 5A	-----	-----	1	91253-443-762	1237205
21	DUST SEAL (28X42X8) (NOK)	5 5A	-----	-----	1	91257-MAY-003	5216452
22	BOLT, FLANGE (6X16)	5A	-----	-----	2	96001-06016-00	2105955
23	BOLT, FLANGE (6X20)	5A	-----	-----	1	96001-06020-00	2529154

REAR BRAKE MASTER CYLINDER



MCA4-F1400B

MCA4F1400B

5 =GL1800'05
5A=GL1800A'05

F-14

Frame
Serial Number

Ref	Description	Model	From	To	QTY	Part Number	H/C
1	SWITCH SET, RR. STOP & CRUISE.....	5 5A	-----	-----	1	35300-MCA-000	6619506
2	MAIN HOSE A, RR. BRAKE.....	5 5A	-----	-----	1	43310-MCA-003	6538094
3	CONNECTOR	5 5A	-----	-----	1	43503-KCY-671	4889317
4	BOOT	5 5A	-----	-----	1	43504-MB2-006	1429455
5	MASTER CYLINDER SUB-ASSY., RR.	5 5A	-----	-----	1	43510-MCA-006	6543037
6	CUP, MASTER CYLINDER OIL	5 5A	-----	-----	1	43511-MCA-006	6543045
7	HOSE, RR. MASTER CYLINDER	5 5A	-----	-----	1	43512-MCA-006	6543052
8	CAP, OIL CUP	5 5A	-----	-----	1	43513-MY1-006	4181053
9	CLAMP, MASTER CYLINDER OIL HOSE..	5 5A	-----	-----	2	43514-KS6-701	2465318
10	CIRCLIP, RR. MASTER CYLINDER	5 5A	-----	-----	1	43517-KS6-701	2465326
11	STAY, MASTER CYLINDER OIL CUP.....	5 5A	-----	-----	1	43518-MCA-000	6539688
12	PISTON SET, RR. MASTER CYLINDER....	5 5A	-----	-----	1	43520-MCA-006	6543060
13	ROD, PUSH	5 5A	-----	-----	1	43530-MCA-006	6543078
14	PLATE, SWITCH	5 5A	-----	-----	1	43537-MCA-006	6543086
15	SPRING, SWITCH	5 5A	-----	-----	1	43538-MCA-006	6543094
16	NUT, SWITCH PLATE (NISSIN)	5 5A	-----	-----	1	43539-MN5-006	2820900
17	DIAPHRAGM	5 5A	-----	-----	1	45520-300-000	0194480
18	PLATE, DIAPHRAGM.....	5 5A	-----	-----	1	45521-MJ6-006	1764968

REAR BRAKE MASTER CYLINDER

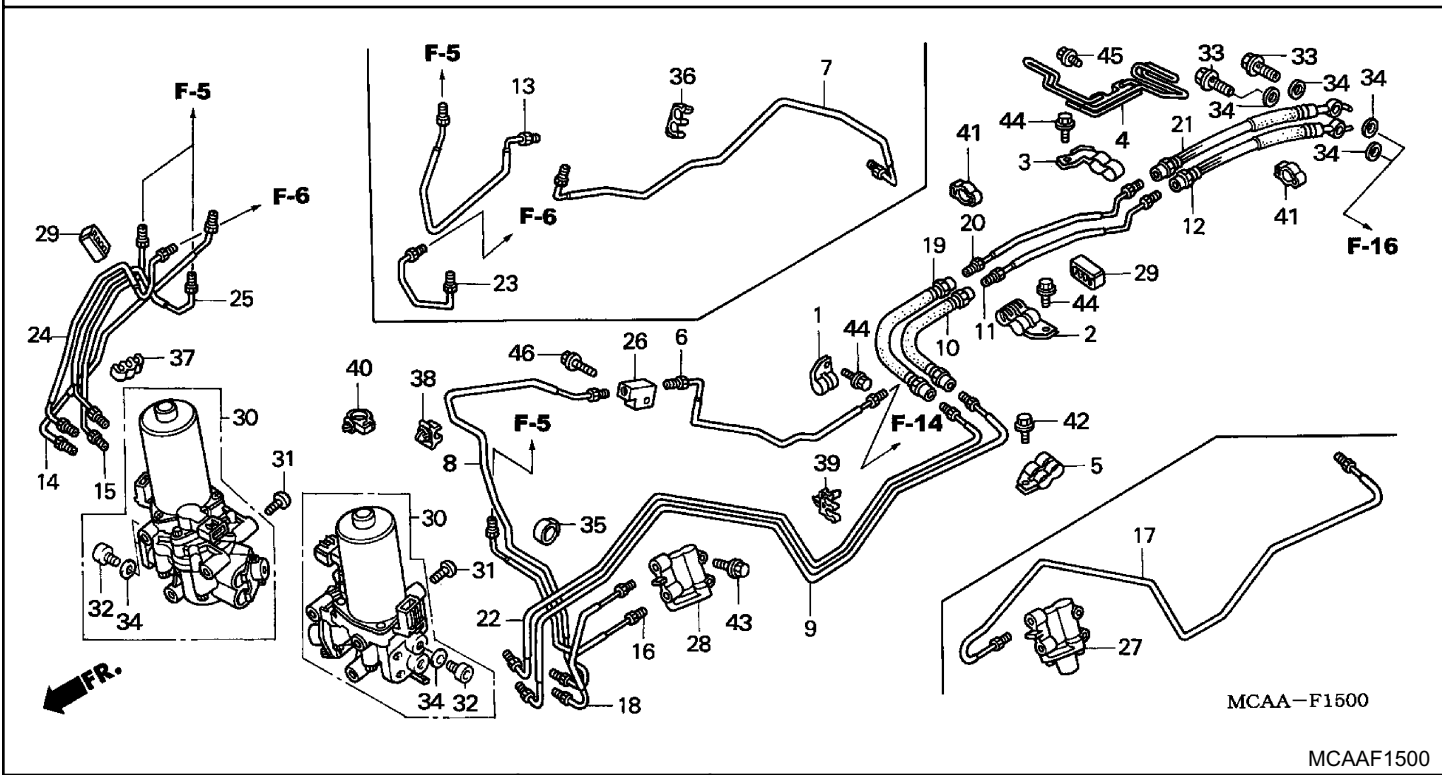
5 =GL1800'05
5A=GL1800A'05

F-14

Frame
Serial Number

Ref	Description	Model	From	To	QTY	Part Number	H/C
19	CIRCLIP, MASTER CYLINDER	5 5A	-----	-----	1	46182-500-013	0506139
20	JOINT, BRAKE ROD	5 5A	-----	-----	1	46504-MT4-006	3605508
21	BOLT, OIL (10X22).....	5 5A	-----	-----	1	90145-MS9-612	5369418
22	NUT, SPECIAL (8MM)	5 5A	-----	-----	1	90315-MCA-006	6543227
23	WASHER, OIL BOLT	5 5A	-----	-----	2	90545-300-000	0189902
24	CIRCLIP, PISTON	5 5A	-----	-----	1	90651-MBG-006	5742754
25	O-RING (14.8X2.4).....	5 5A	-----	-----	1	91212-422-006	0693481
26	SCREW-WASHER (4X12)	5 5A	-----	-----	2	93893-04012-07	1374008
	SCREW-WASHER (4X12)	5 5A	-----	-----	2	93893-04012-17	1237353
27	NUT, HEX. (8MM).....	5 5A	-----	-----	1	94002-08000-0S	0156075
	NUT, HEX. (8MM).....	5 5A	-----	-----	1	94002-08080-0S	0522144
28	PIN, COTTER (2.0X15)	5 5A	-----	-----	1	94201-20150	0058347
29	PIN D, JOINT	5 5A	-----	-----	1	95015-54000	4459467
30	BOLT, FLANGE (6X22)	5 5A	-----	-----	2	95701-06022-08	2129682
31	BOLT, FLANGE (6X14)	5 5A	-----	-----	2	96001-06014-00	2154672

PROPORTION CONTROL VALVE



5 =GL1800'05 5A=GL1800A'05	F-15 Frame Serial Number	
-------------------------------	------------------------------------	--

Ref	Description	Model	From	To	QTY	Part Number	H/C
1	CLAMP A, RR. BRAKE HOSE	5 5A	-----	-----	1	43156-MCA-000	6538938
2	CLAMP B, RR. BRAKE HOSE	5 5A	-----	-----	1	43157-MCA-000	6538953
3	CLAMP C, RR. BRAKE HOSE	5 5A	-----	-----	1	43158-MCA-000	6538995
4	GUIDE, RR. BRAKE HOSE	5 5A	-----	-----	1	43159-MCA-A20	7544885
5	CLAMP D, RR. BRAKE HOSE	5 5A	-----	-----	1	43161-MCA-000	6539035
6	MAIN PIPE A, RR. BRAKE.....	5 5A	-----	-----	1	43311-MCA-000	6537815
7	MAIN PIPE B, RR. BRAKE.....	5	-----	-----	1	43312-MCA-670	6610224
8	MAIN PIPE D, RR. BRAKE.....	5A	-----	-----	1	43312-MCA-750	6717508
9	MAIN PIPE E, RR. BRAKE.....	5A	-----	-----	1	43313-MCA-970	6537849
10	MAIN HOSE B, RR. BRAKE.....	5 5A	-----	-----	1	43314-MCA-971	6538102
11	PIPE C, RR. BRAKE MAIN.....	5 5A	-----	-----	1	43315-MCA-000	6537856
12	HOSE C, RR. BRAKE MAIN.....	5 5A	-----	-----	1	43316-MCA-A21	7528151
13	SUB-PIPE A, BRAKE	5	-----	-----	1	43320-MCA-670	6610232
14	SUB-PIPE F, BRAKE	5A	-----	-----	1	43320-MCA-970	6537872
15	SUB-PIPE G, BRAKE	5A	-----	-----	1	43321-MCA-970	6537880
16	SUB-PIPE C, BRAKE	5 5A	-----	-----	1	43326-MCA-000	6537898
17	SUB-PIPE D, BRAKE	5	-----	-----	1	43327-MCA-670	6610240
18	SUB-PIPE H, BRAKE	5A	-----	-----	1	43327-MCA-970	6537930

PROPORTION CONTROL VALVE

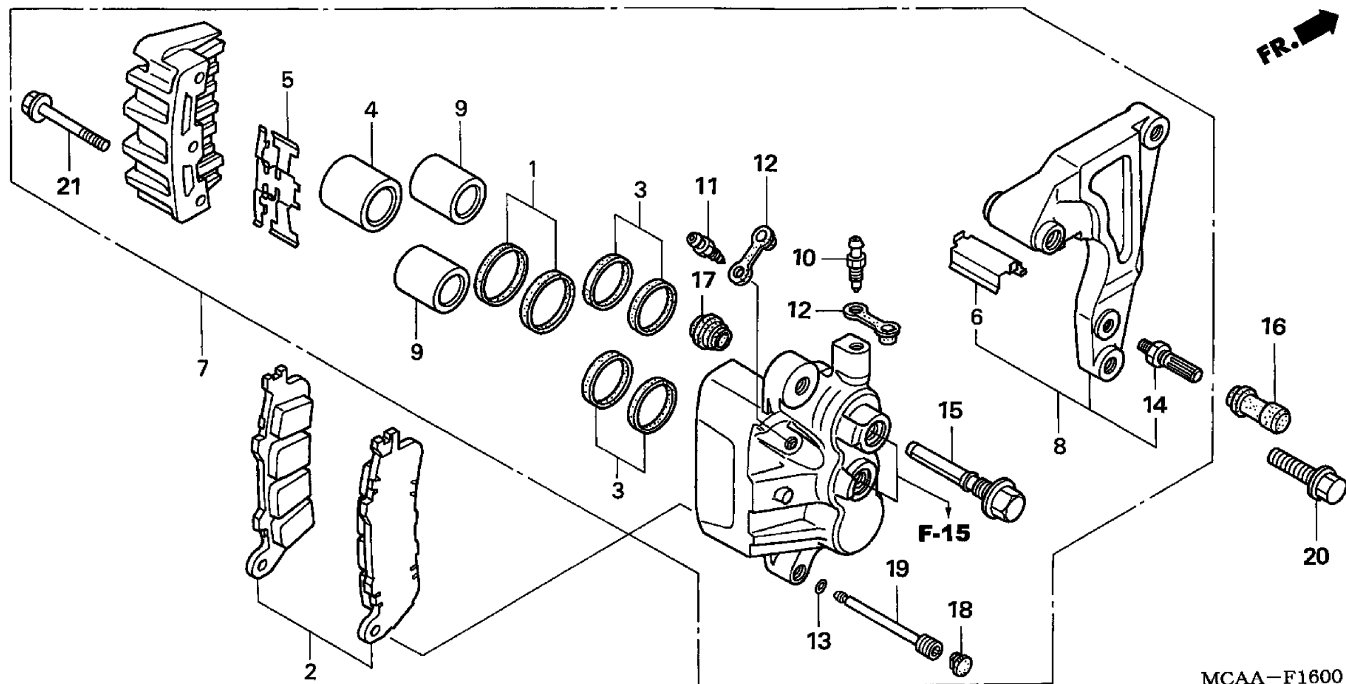
5 =GL1800'05
5A=GL1800A'05

F-15

Frame
Serial Number

Ref	Description	Model	From	To	QTY	Part Number	H/C
19	SUB-HOSE E, BRAKE	5 5A	-----	-----	1	43329-MCA-971	6538201
20	SUB-PIPE E, BRAKE	5 5A	-----	-----	1	43330-MCA-000	6537971
21	SUB-HOSE F, BRAKE	5 5A	-----	-----	1	43331-MCA-A21	7528169
22	SUB-PIPE I, BRAKE.....	5A	-----	-----	1	43332-MCA-970	6538011
23	MAIN PIPE A, FR. BRAKE	5	-----	-----	1	45125-MCA-670	6610257
24	MAIN PIPE C, FR. BRAKE.....	5A	-----	-----	1	45125-MCA-970	6538037
25	MAIN PIPE D, FR. BRAKE.....	5A	-----	-----	1	45126-MCA-970	6538052
26	JOINT PIPE, THREE-WAY.....	5 5A	-----	-----	1	45151-MCA-003	6538268
27	VALVE ASSY., PROPORTIONING CONTROL	5	-----	-----	1	46200-MCA-671	6620165
28	VALVE ASSY., PROPORTIONING CONTROL	5A	-----	-----	1	46200-MCA-971	6620181
29	CLIP B, BRAKE PIPE.....	5A	-----	-----	2	46395-SR3-J01	4622304
30	MODULATOR ASSY., ABS	5A	-----	-----	2	57100-MCA-971	6620595
31	SCREW, PAN (6X14).....	5A	-----	-----	6	90118-MR1-000	2866127
32	BOLT, OIL (10X10.6)	5A	-----	-----	8	90145-MCA-971	6621932
33	BOLT, OIL (10X22).....	5 5A	-----	-----	2	90145-MS9-612	5369418
34	WASHER, OIL BOLT	5	-----	-----	4	90545-300-000	0189902
		5A	-----	-----	12	90545-300-000	0189902
35	CLAMP, HARNESS	5	-----	-----	1	90652-HC4-003	2920726
36	CLAMP, BRAKE PIPE (6.8X2).....	5	-----	-----	1	90661-MCA-003	6622161
37	CLAMP, BRAKE PIPE (6.8X3).....	5A	-----	-----	1	90662-MCA-971	6622187
38	CLAMP, BRAKE PIPE (6.8)	5A	-----	-----	1	90663-MCA-971	6622203
39	CLAMP, BRAKE PIPE (7.0X2).....	5 5A	-----	-----	1	90664-MCA-003	6622229
40	CLIP, WIRE HARNESS	5A	-----	-----	1	90683-KJ2-003	2419331
41	CLIP, CABLE (14MM).....	5A	-----	-----	2	90690-MCA-003	6622245
42	BOLT, FLANGE (6X20)	5 5A	-----	-----	1	95701-06020-08	2374759
43	BOLT, FLANGE (6X32)	5 5A	-----	-----	2	95701-06032-08	2581361
44	BOLT, FLANGE (6X12)	5 5A	-----	-----	3	96001-06012-07	2105948
45	BOLT, FLANGE (6X16)	5 5A	-----	-----	2	96001-06016-00	2105955
46	BOLT, FLANGE (6X25)	5 5A	-----	-----	1	96001-06025-00	2105989

REAR BRAKE CALIPER



MCAA-F1600

MCAAF1600

5 =GL1800'05
5A=GL1800A'05

F-16

Frame
Serial Number

Ref	Description	Model	From	To	QTY	Part Number	H/C
1	SEAL SET, PISTON	5 5A	-----	-----	1	06431-MA3-405	4124277
2	PAD SET, RR.	5 5A	-----	-----	1	06435-MCA-006	6542930
3	SEAL SET, PISTON	5 5A	-----	-----	2	06451-MZ2-405	4179362
4	PISTON (27X31).....	5 5A	-----	-----	1	43107-MAJ-G41	4979456
5	SPRING, PAD.....	5 5A	-----	-----	1	43108-MCA-006	6542997
6	RETAINER, RR. BRACKET	5 5A	-----	-----	1	43112-MCA-006	6628507
7	CALIPER SUB-ASSY., RR.	5 5A	-----	-----	1	43150-MCA-006	6543011
8	BRACKET SUB-ASSY., RR.	5 5A	-----	-----	1	43190-MCA-006	6543029
9	PISTON (22X39).....	5 5A	-----	-----	2	43207-MAJ-G41	4979571
10	SCREW, BLEEDER	5 5A	-----	-----	1	43352-HC5-971	4075750
11	SCREW, BLEEDER	5 5A	-----	-----	1	43352-568-003	0505735
12	CAP, BLEEDER	5 5A	-----	-----	2	43353-461-771	0954230
13	O-RING (2.5X1.5).....	5 5A	-----	-----	1	45111-MAJ-G41	4979928
14	BOLT, PIN	5 5A	-----	-----	1	45131-MAC-681	4570982
15	PIN, BOLT	5 5A	-----	-----	1	45131-MZ2-006	4181251
16	BUSH, PIN	5 5A	-----	-----	1	45132-166-016	1046275
17	BOOT B	5 5A	-----	-----	1	45133-MA3-006	1012012
18	PLUG, PIN	5 5A	-----	-----	1	45203-MCC-006	6334387

REAR BRAKE CALIPER

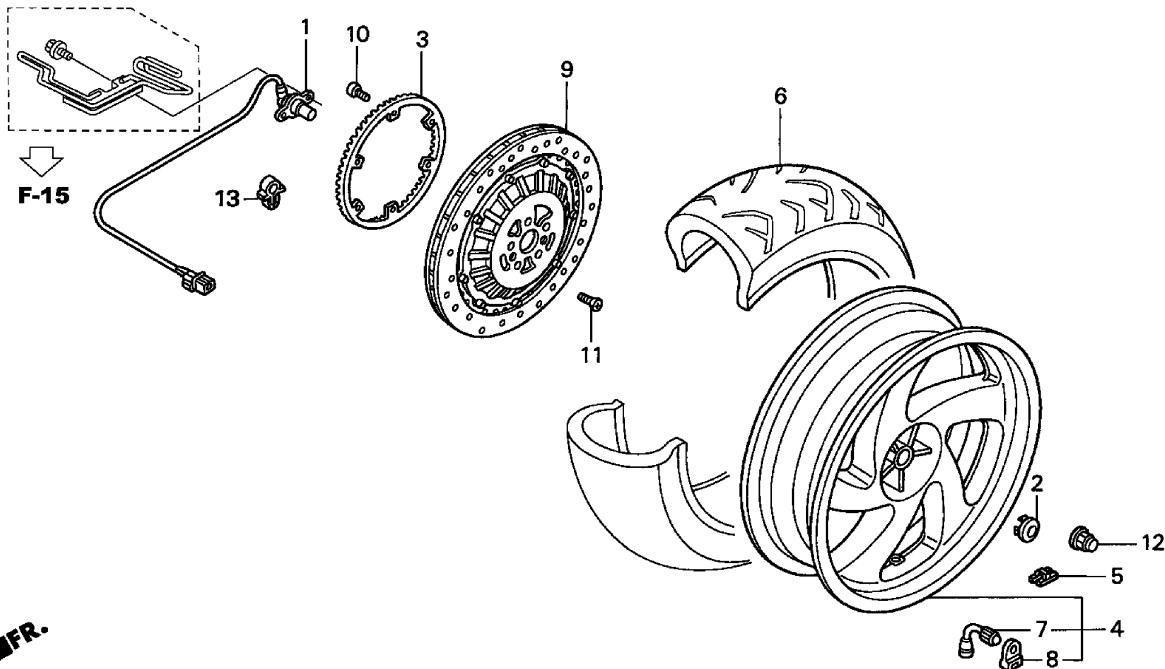
5 =GL1800'05
5A=GL1800A'05

F-16

Frame
Serial Number

Ref	Description	Model	From	To	QTY	Part Number	H/C
19	PIN, HANGER	5 5A	-----	-----	1	45215-MAJ-G41	4980074
20	BOLT, FLANGE (10X32)	5 5A	-----	-----	2	90131-MY9-870	6621858
21	BOLT, FLANGE (8X45)	5 5A	-----	-----	3	90135-MAJ-G41	4980744

REAR WHEEL



5 =GL1800'05
5A=GL1800A'05

F-17

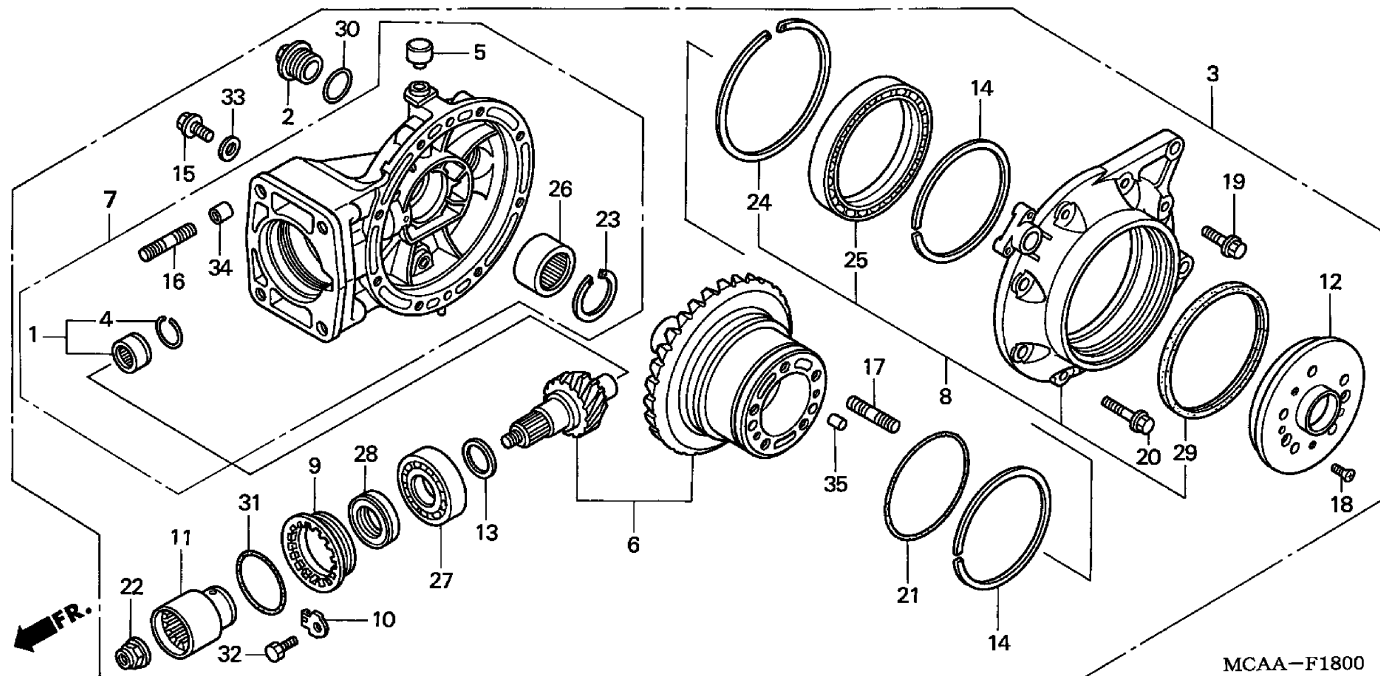
Frame
Serial Number

MCAA-F1700

MCAAF1700

Ref	Description	Model	From	To	QTY	Part Number	H/C
1	SENSOR, RR. WHEEL SPEED	5A	-----	-----	1	38510-MCA-A30	7544851
2	CAP, RR. AXLE	5 5A	-----	-----	1	42303-MT4-000	3469178
3	RING, PULSER (RR)	5A	-----	-----	1	42515-MCA-971	6620082
4	WHEEL SUB-ASSY., RR.....	5 5A	-----	-----	1	42650-MCA-A00	7119365
5	WEIGHT, BALANCE (10)	5 5A	-----	-----	AR	42704-MCF-D60	7841562
	WEIGHT, BALANCE (20)	5 5A	-----	-----	AR	42705-MCF-D60	7841570
	WEIGHT, BALANCE (30)	5 5A	-----	-----	AR	42706-MCF-D60	7841588
6	TIRE, RR. (180/60R16 M/C 74H) (DUNLOP)	5 5A	-----	-----	1	42711-MCA-A01	7084577
7	VALVE, RIM (BS)	5 5A	-----	-----	1	42753-KJ9-003	1700905
	VALVE, RIM (DUNLOP)	5 5A	-----	-----	1	42753-KJ9-004	1700913
	VALVE, RIM (INOUE).....	5 5A	-----	-----	1	42753-KJ9-005	1700921
8	HOLD, RIM VALVE.....	5 5A	-----	-----	1	42754-MN5-000	2807253
9	DISK, RR. BRAKE	5 5A	-----	-----	1	43250-MCA-013	7340466
10	BOLT, TORX (5X10).....	5A	-----	-----	6	90131-KPB-751	6621841
11	SCREW, FLAT (6X16)	5 5A	-----	-----	2	90132-MCA-000	6621866
12	NUT, WHEEL	5 5A	-----	-----	5	90307-MCA-000	6621965
13	CLIP, ENGINE STOP SWITCH CORD	5A	-----	-----	1	90660-ZA0-600	2081271

FINAL DRIVEN GEAR



MCAA-F1800

MCAAF1800

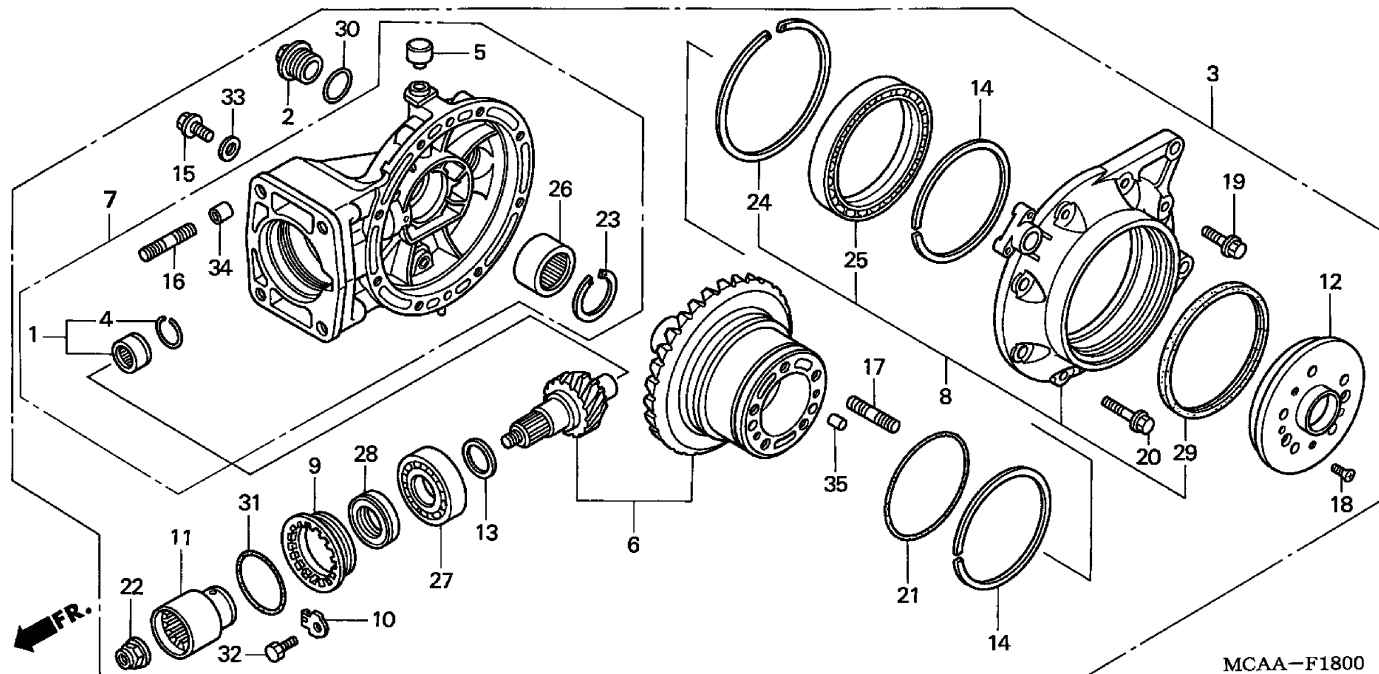
5 =GL1800'05
5A=GL1800A'05

F-18

Frame
Serial Number

Ref	Description	Model	From	To	QTY	Part Number	H/C
1	BEARING SET, NEEDLE	5 5A	-----	-----	1	06910-MCA-000	6551964
2	CAP, VALVE ADJ.	5 5A	-----	-----	1	12361-035-000	0069625
	CAP, VALVE ADJ.	5 5A	-----	-----	1	12361-300-000	0188870
	CAP, VALVE ADJ.	5 5A	-----	-----	1	12361-371-980	0454934
3	GEAR ASSY., FINAL	5 5A	-----	-----	1	41300-MCA-A21	7766405
4	RING, STOPPER	5 5A	-----	-----	1	41305-MB4-770	2013969
5	CAP, BREATHER.....	5 5A	-----	-----	1	41306-MB0-020	7684145
6	GEAR SET, FINAL	5 5A	-----	-----	1	41310-MCA-010	6776256
7	CASE SUB-ASSY., FINAL GEAR	5 5A	-----	-----	1	41311-MCA-A21	7841547
8	COVER SUB-ASSY., FINAL GEAR	5 5A	-----	-----	1	41320-MCA-000	6551972
9	RETAINER, BEARING	5 5A	-----	-----	1	41331-MN5-000	2807147
10	LOCK A, BEARING ADJ.	5 5A	-----	-----	1	41332-415-000	0669176
	LOCK B, BEARING ADJ.	5 5A	-----	-----	1	41333-415-000	0669184
11	JOINT, PINION.....	5 5A	-----	-----	1	41410-MN5-000	2807162
12	FLANGE, FINAL GEAR SIDE.....	5 5A	-----	-----	1	41441-MCA-010	6776264
13	SHIM A, PINION GEAR (1.32)	5 5A	-----	-----	1	41450-MG9-000	1526870
	SHIM B, PINION GEAR (1.38)	5 5A	-----	-----	1	41451-MG9-000	1526888
	SHIM C, PINION GEAR (1.44)	5 5A	-----	-----	1	41452-MG9-000	1526896

FINAL DRIVEN GEAR



5 =GL1800'05
5A=GL1800A'05

F-18

Frame
Serial Number

Ref	Description	Model	From	To	QTY	Part Number	H/C
13	SHIM D, PINION GEAR (1.50)	5 5A	-----	-----	1	41453-MG9-000	1526904
	SHIM E, PINION GEAR (1.56)	5 5A	-----	-----	1	41454-MG9-000	1526912
	SHIM F, PINION GEAR (1.62)	5 5A	-----	-----	1	41455-MG9-000	1526920
	SHIM G, PINION GEAR (1.68)	5 5A	-----	-----	1	41456-MG9-000	1526938
14	SHIM A, RING GEAR	5 5A	-----	-----	2	41530-MCA-000	6619936
	SHIM B, RING GEAR	5 5A	-----	-----	2	41531-MCA-000	6619944
	SHIM C, RING GEAR	5 5A	-----	-----	2	41532-MCA-000	6619951
	SHIM D, RING GEAR	5 5A	-----	-----	2	41533-MCA-000	6619969
	SHIM E, RING GEAR	5 5A	-----	-----	2	41534-MCA-000	6619977
	SHIM F, RING GEAR	5 5A	-----	-----	2	41535-MCA-000	6619985
	SHIM G, RING GEAR	5 5A	-----	-----	2	41536-MCA-000	6619993
	SHIM H, RING GEAR	5 5A	-----	-----	2	41537-MCA-000	6620009
	SHIM I, RING GEAR	5 5A	-----	-----	2	41538-MCA-000	6620017
	SHIM J, RING GEAR	5 5A	-----	-----	2	41539-MCA-000	6620025
	SHIM K, RING GEAR	5 5A	-----	-----	2	41540-MCA-000	6620033
	SHIM L, RING GEAR	5 5A	-----	-----	2	41541-MCA-000	6620041
	SHIM M, RING GEAR	5 5A	-----	-----	2	41542-MCA-000	6620058
	SHIM N, RING GEAR	5 5A	-----	-----	2	41543-MCA-000	6620066

FINAL DRIVEN GEAR

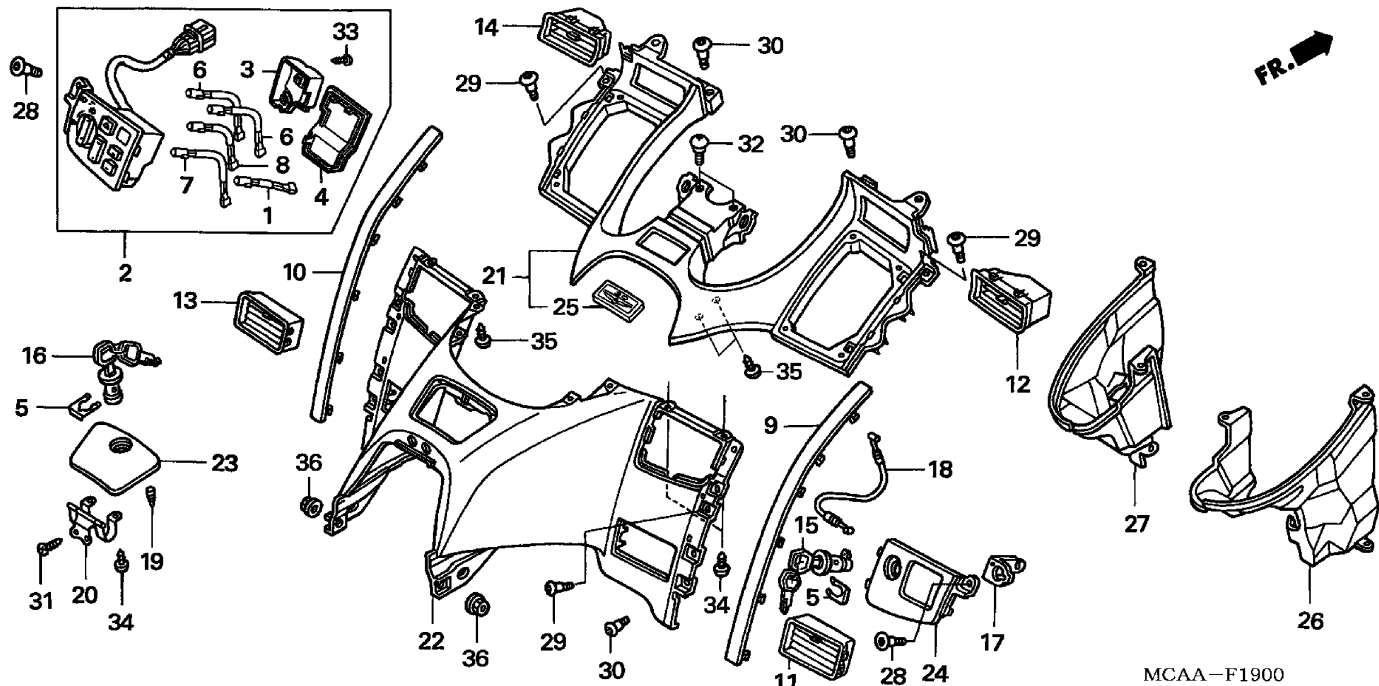
5 =GL1800'05
5A=GL1800A'05

F-18

Frame
Serial Number

Ref	Description	Model	From	To	QTY	Part Number	H/C
14	SHIM P, RING GEAR	5 5A	-----	-----	2	41544-MCA-000	6620074
15	BOLT, PLUG (14MM)	5 5A	-----	-----	1	90081-MC7-000	1210681
16	BOLT, STUD (12X53).....	5 5A	-----	-----	4	90124-MCA-300	6621775
17	BOLT, STUD (12X46).....	5 5A	-----	-----	5	90125-MCA-300	6621783
18	SCREW, FLAT (6X16)	5 5A	-----	-----	2	90132-MCA-000	6621866
19	BOLT, FLANGE (8X30)	5 5A	-----	-----	6	90133-MCA-000	6621874
20	BOLT, FLANGE (10X38)	5 5A	-----	-----	2	90134-MCA-000	6621882
21	O-RING (94.5X2)	5 5A	-----	-----	1	90351-MCA-003	6621999
22	NUT, HEX. (16MM).....	5 5A	-----	-----	1	90381-MT3-000	3487980
23	CIRCLIP (INNER) (47MM)	5 5A	-----	-----	1	90652-MCA-003	6622112
24	CIRCLIP (INNER) (125MM)	5 5A	-----	-----	1	90653-MCA-000	6622120
25	BEARING, RADIAL BALL (100X125X26)....	5 5A	-----	-----	1	91051-MCA-003	6622336
26	BEARING, NEEDLE (30X47X23)	5 5A	-----	-----	1	91052-MCA-003	6622351
27	BEARING, RADIAL BALL (QJ3/28V1)	5 5A	-----	-----	1	91061-MT3-003	3488152
28	OIL SEAL (39X56X7) (NOK)	5 5A	-----	-----	1	91262-MY3-003	3956703
29	OIL SEAL (110X125X7)	5 5A	-----	-----	1	91265-MCA-003	6622419
30	O-RING (30.8MM)	5 5A	-----	-----	1	91302-001-020	0001065
31	O-RING (64.5X3.5).....	5 5A	-----	-----	1	91359-MG9-003	1532381
32	BOLT, HEX. (6X12)	5 5A	-----	-----	1	92101-06012-0A	3591500
33	WASHER, DRAIN PLUG (14MM).....	5 5A	-----	-----	1	94109-14000	0171876
34	PIN A, DOWEL (14X20)	5 5A	-----	-----	2	94301-14200	0295626
35	PIN, DOWEL (10X16).....	5 5A	-----	-----	2	94303-10160	0690628

SHELTER



MCAA-F1900

MCAAF1900

5 =GL1800'05
5A=GL1800A'05

F-19

Frame
Serial Number

Ref	Description	Model	From	To	QTY	Part Number	H/C
1	BULB (T3) (B).....	5 5A	-----	-----	1	35201-MCA-003	6776140
2	SWITCH ASSY., HEIGHT CONTROL	5 5A	-----	-----	1	35800-MCA-043	6657860
3	COVER, LENS	5 5A	-----	-----	1	35801-MCA-003	6776165
4	COVER.....	5 5A	-----	-----	1	35802-MCA-003	6776173
5	SPRING, LOCK KEY SETTING	5 5A	-----	-----	2	37222-MCA-000	6619670
6	BULB (T3) (C).....	5 5A	-----	-----	2	39206-MCA-013	6657878
7	BULB (T3) (B).....	5 5A	-----	-----	1	39207-MCA-013	6657886
8	BULB (T3) (B).....	5 5A	-----	-----	1	39208-MCA-003	6776231
9	MOLDING, R. COWL TRIM *Y130P* (PEARL HOT ROD YELLOW)	5 5A	-----	-----	1	64204-MCA-000ZD	6540538
	MOLDING, R. COWL TRIM *R287M* (BLOODSTONE RED METALLIC).....	5 5A	-----	-----	1	64204-MCA-000ZM	7528441
	MOLDING, R. COWL TRIM *NHA29* (ARCTIC WHITE)	5 5A	-----	-----	1	64204-MCA-000ZQ	7528474
	MOLDING, R. COWL TRIM *NHA27M* (BILLET SILVER METALLIC).....	5 5A	-----	-----	1	64204-MCA-000ZR	7794324
	MOLDING, R. COWL TRIM *PB356M* (NOVA BLUE METALLIC)	5 5A	-----	-----	1	64204-MCA-000ZT	7794332
	MOLDING, R. COWL TRIM *NHA45M* (PORTLAND GRAY METALLIC)	5 5A	-----	-----	1	64204-MCA-000ZU	7794340

SHELTER

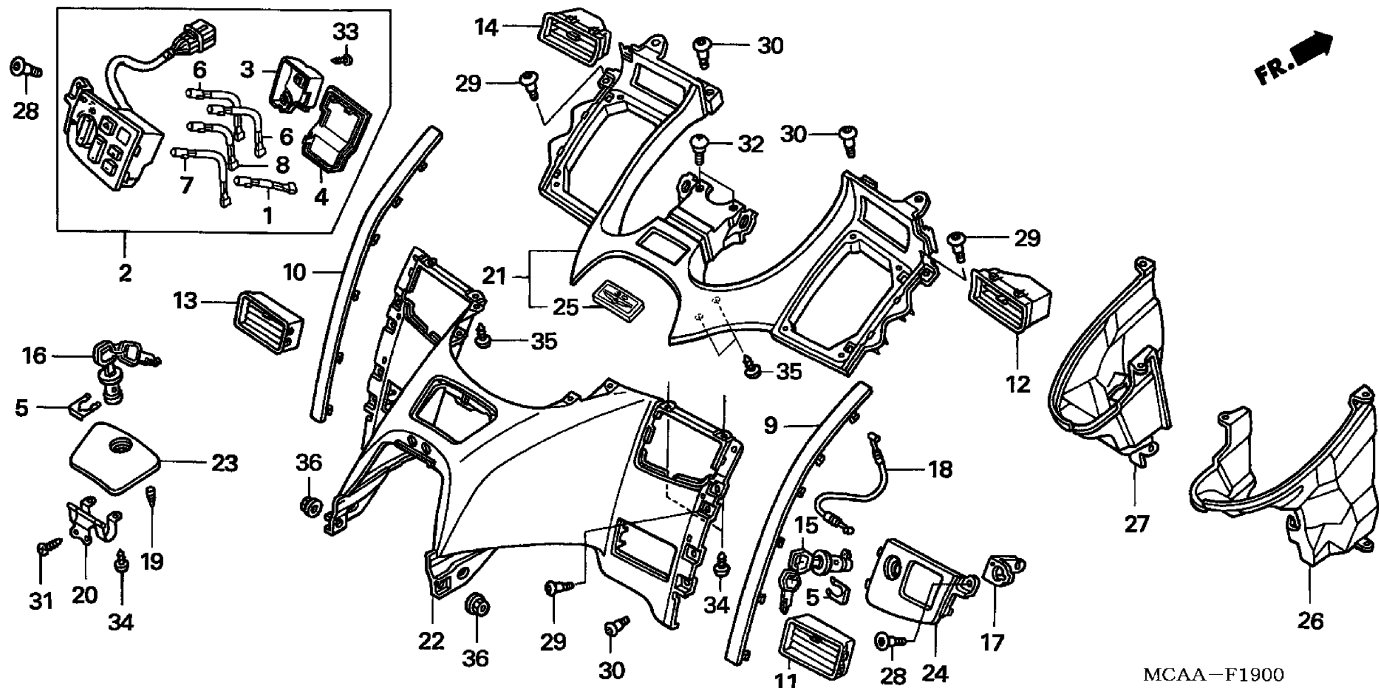
5 =GL1800'05
5A=GL1800A'05

F-19

Frame
Serial Number

Ref	Description	Model	From	To	QTY	Part Number	H/C
10	MOLDING, L. COWL TRIM *Y130P* (PEARL HOT ROD YELLOW)	5 5A	-----	-----	1	64214-MCA-000ZD	6540579
	MOLDING, L. COWL TRIM *R287M* (BLOODSTONE RED METALLIC).....	5 5A	-----	-----	1	64214-MCA-000ZM	7528490
	MOLDING, L. COWL TRIM *NHA29* (ARCTIC WHITE)	5 5A	-----	-----	1	64214-MCA-000ZQ	7528524
	MOLDING, L. COWL TRIM *NHA27M* (BILLET SILVER METALLIC).....	5 5A	-----	-----	1	64214-MCA-000ZR	7794357
	MOLDING, L. COWL TRIM *PB356M* (NOVA BLUE METALLIC)	5 5A	-----	-----	1	64214-MCA-000ZT	7794365
	MOLDING, L. COWL TRIM *NHA45M* (PORTLAND GRAY METALLIC)	5 5A	-----	-----	1	64214-MCA-000ZU	7794373
11	OUTLET ASSY., R. FRESH AIR (LOWER)	5 5A	-----	-----	1	64445-MCA-000	6591754
12	OUTLET ASSY., R. FRESH AIR (UPPER)	5 5A	-----	-----	1	64450-MCA-780	6756506
13	OUTLET ASSY., L. FRESH AIR (LOWER)	5 5A	-----	-----	1	64455-MCA-000	6591762
14	OUTLET ASSY., L. FRESH AIR (UPPER)..	5 5A	-----	-----	1	64460-MCA-780	6756514
15	LOCK ASSY., POCKET LID.....	5 5A	-----	-----	1	77233-MCA-003	6536916
16	LOCK ASSY., FUEL LID.....	5 5A	-----	-----	1	77234-MCA-003	6536924
17	PLATE, POCKET LOCK.....	5 5A	-----	-----	1	77236-MCA-000	6539241
18	CABLE, POCKET LOCK	5 5A	-----	-----	1	77241-MCA-000	6620967
19	RUBBER, SHELTER LID	5 5A	-----	-----	2	83132-MN5-000	2809960
20	HINGE	5 5A	-----	-----	1	83140-MCA-000	6543425
21	SHELTER ASSY., FR.	5 5A	-----	-----	1	83150-MCA-A40	7795214
22	SHELTER, TOP *Y130P* (PEARL HOT ROD YELLOW)	5 5A	-----	-----	1	83152-MCA-000ZD	6542476
	SHELTER, TOP *R287M* (BLOODSTONE RED METALLIC)	5 5A	-----	-----	1	83152-MCA-000ZM	7526635
	SHELTER, TOP *NHA29* (ARCTIC WHITE).....	5 5A	-----	-----	1	83152-MCA-000ZQ	7526668
	SHELTER, TOP *NHA27M* (BILLET SILVER METALLIC).....	5 5A	-----	-----	1	83152-MCA-000ZR	7795222
	SHELTER, TOP *PB356M* (NOVA BLUE METALLIC).....	5 5A	-----	-----	1	83152-MCA-000ZT	7795230
	SHELTER, TOP *NHA45M* (PORTLAND GRAY METALLIC)	5 5A	-----	-----	1	83152-MCA-000ZU	7795248
23	LID, SHELTER *Y130P* (PEARL HOT ROD YELLOW)	5 5A	-----	-----	1	83153-MCA-000ZD	6542534

SHELTER



MCAAF1900

5 =GL1800'05
5A=GL1800A'05

F-19

Frame
Serial Number

Ref	Description	Model	From	To	QTY	Part Number	H/C
23	LID, SHELTER *R287M* (BLOODSTONE RED METALLIC)	5 5A	-----	-----	1	83153-MCA-000ZM	7526684
	LID, SHELTER *NHA29* (ARCTIC WHITE)	5 5A	-----	-----	1	83153-MCA-000ZQ	7526718
	LID, SHELTER *NHA27M* (BILLET SILVER METALLIC).....	5 5A	-----	-----	1	83153-MCA-000ZR	7795255
	LID, SHELTER *PB356M* (NOVA BLUE METALLIC).....	5 5A	-----	-----	1	83153-MCA-000ZT	7795263
	LID, SHELTER *NHA45M* (PORTLAND GRAY METALLIC)	5 5A	-----	-----	1	83153-MCA-000ZU	7795271
24	PANEL, R. SHELTER SWITCH	5 5A	-----	-----	1	83160-MCA-000	6539027
25	EMBLEM, GOLD WING	5 5A	-----	-----	1	83162-MCA-A40	7840267
26	COVER, R. SHELTER (INNER).....	5 5A	-----	-----	1	83165-MCA-000	6645204
27	COVER, L. SHELTER (INNER)	5 5A	-----	-----	1	83175-MCA-000	6645212
28	SCREW, PAN (5X19).....	5 5A	-----	-----	2	90106-KCR-000	6092035
29	SCREW, SPECIAL (5X12).....	5 5A	-----	-----	4	90106-MBY-000	6092043
30	SCREW, PAN (6X14).....	5 5A	-----	-----	4	90113-MM5-000	2568855
31	SCREW, VISOR SPECIAL SETTING	5 5A	-----	-----	2	90115-KW7-900	3798667
32	SCREW, PAN (5X18).....	5 5A	-----	-----	2	90150-GBT-600	6657944
33	SCREW, TAPPING (3X12).....	5 5A	-----	-----	2	93901-32320	0665174

SHELTER

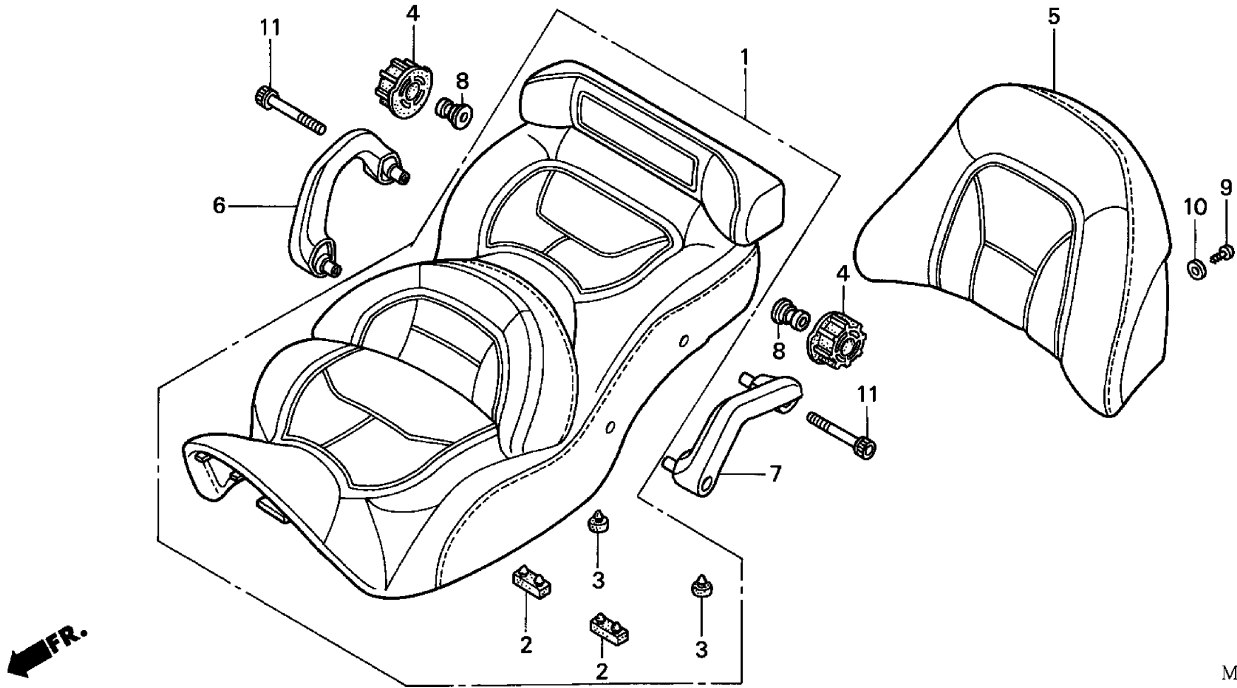
5 =GL1800'05
5A=GL1800A'05

F-19

Frame
Serial Number

Ref	Description	Model	From	To	QTY	Part Number	H/C
34	SCREW, TAPPING (4X10).....	5 5A	-----	-----	6	93903-24280	0562082
35	SCREW, TAPPING (5X16).....	5 5A	-----	-----	6	93903-25380	1172139
36	NUT, FLANGE (6MM).....	5 5A	-----	-----	2	94050-06070	2322832

SEAT



MCA4- F2000
MCA4F2000

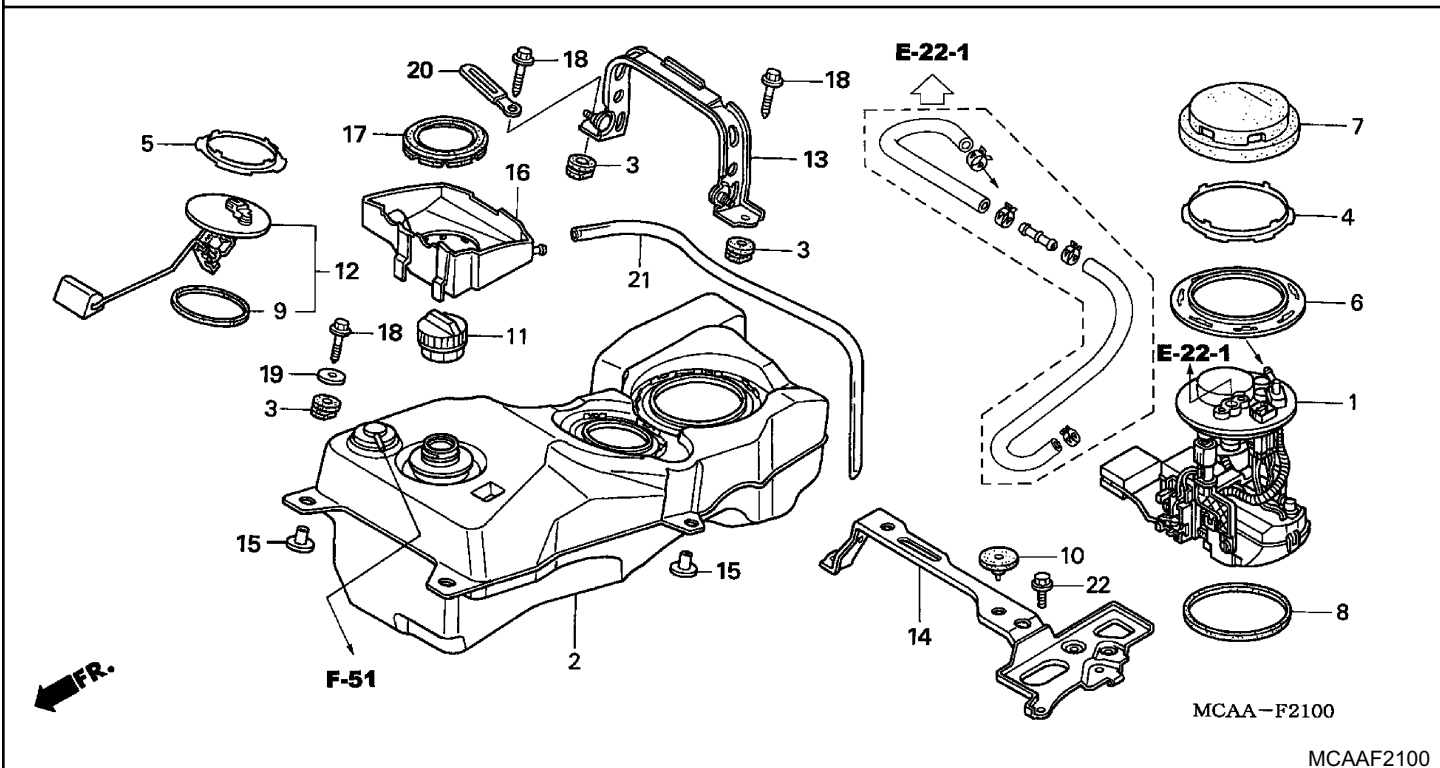
5 =GL1800'05
5A=GL1800A'05

F-20

Frame
Serial Number

Ref	Description	Model	From	To	QTY	Part Number	H/C
1	SEAT, DOUBLE (TYPE1).....	5 5A	-----	-----	1	77200-MCA-A20ZA	7527880
	SEAT, DOUBLE (TYPE2).....	5 5A	-----	-----	1	77200-MCA-A20ZB	7527898
2	RUBBER B, SEAT SETTING	5 5A	-----	-----	2	77205-286-000	0154807
3	RUBBER, SEAT SETTING.....	5 5A	-----	-----	2	77206-426-000	0742270
4	RUBBER, SEAT MOUNTING.....	5 5A	-----	-----	4	77215-MCA-000	6620959
5	SEAT, BACK (TYPE1)	5 5A	-----	-----	1	77500-MCA-A20ZA	7527906
	SEAT, BACK (TYPE2)	5 5A	-----	-----	1	77500-MCA-A20ZB	7527914
6	GRIP, R. PASSENGER *NH1* (BLACK)	5 5A	-----	-----	1	84150-MCA-000ZA	6621437
7	GRIP, L. PASSENGER *NH1* (BLACK)	5 5A	-----	-----	1	84155-MCA-000ZA	6621445
8	COLLAR, SEAT MOUNTING	5 5A	-----	-----	4	90504-MCA-000	6654198
9	SCREW, TAPPING (5X16).....	5 5A	-----	-----	2	93903-25380	1172139
10	WASHER, PLAIN (5MM)	5 5A	-----	-----	2	94103-05700	0692491
11	BOLT, SOCKET (8X70)	5 5A	-----	-----	4	96600-08070-17	6622518

FUEL TANK



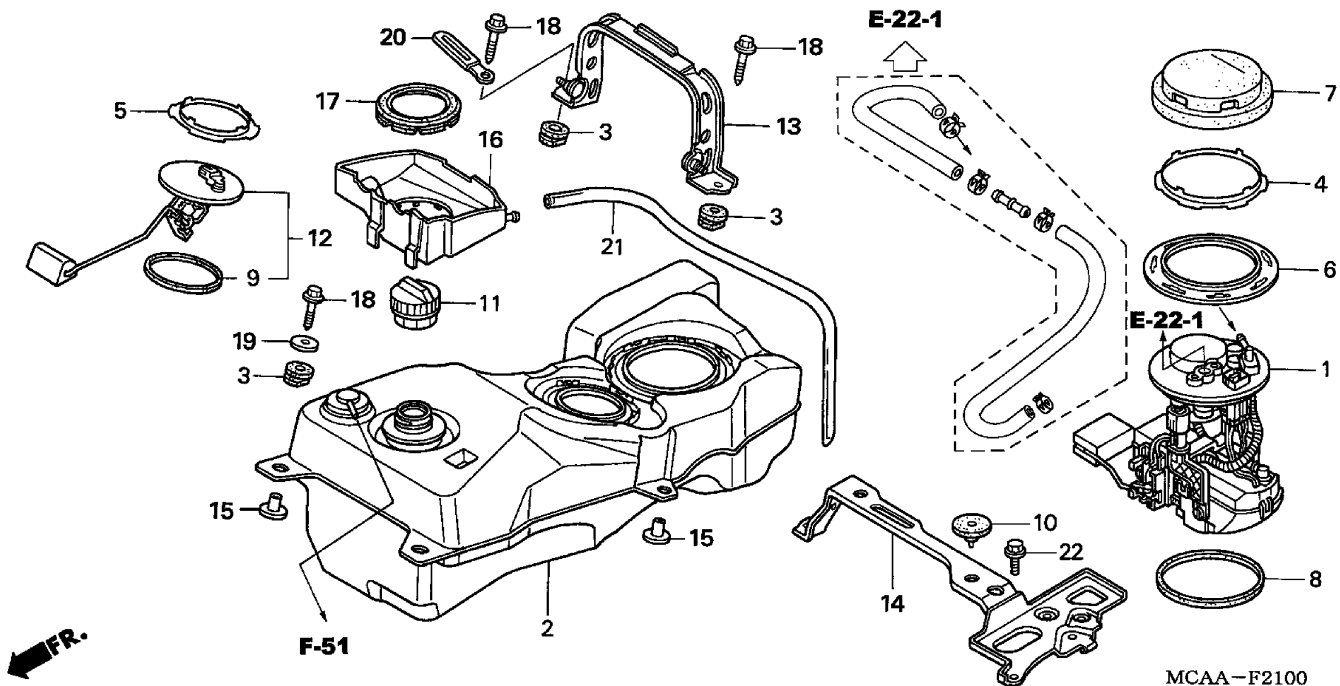
5 =GL1800'05
5A=GL1800A'05

F-21

Frame
Serial Number

Ref	Description	Model	From	To	QTY	Part Number	H/C
1	PUMP ASSY., FUEL.....	5 5A	-----	-----	1	16700-MCA-013	7067325
2	TANK, FUEL.....	5 5A	-----	-----	1	17510-MCA-000	6537260
3	RUBBER, FUEL TANK MOUNTING	5 5A	-----	-----	4	17515-GBB-000	6617930
4	LOCKING RING, FUEL PUMP	5 5A	-----	-----	1	17515-MCA-003	6537278
5	LOCKING RING, FUEL UNIT	5 5A	-----	-----	1	17516-MCA-003	6537286
6	RING, SPACER	5 5A	-----	-----	1	17517-MCA-000	6537294
7	COVER, FUEL PUMP	5 5A	-----	-----	1	17519-MCA-000	6537989
8	GASKET, BASE	5 5A	-----	-----	1	17574-MCA-003	6537302
9	GASKET, FUEL UNIT.....	5 5A	-----	-----	1	17575-MCA-003	6537328
10	CUSHION, RR. FUEL TANK	5 5A	-----	-----	2	17615-MCA-000	6538045
11	CAP ASSY., FUEL TANK.....	5 5A	-----	-----	1	17620-MCA-A01	7113293
12	FUEL UNIT SET	5 5A	-----	-----	1	37080-MCA-000	6646905
13	STAY, SHELTER SETTING	5 5A	-----	-----	1	50250-MCA-000	6535785
14	STAY, BATTERY SUPPORT	5 5A	-----	-----	1	50330-MCA-A00	7062151
15	COLLAR, RR. FENDER.....	5 5A	-----	-----	4	80108-KF9-900	6620975
16	TRAY, FUEL FILLER	5 5A	-----	-----	1	83502-MCA-A00	7062128
17	GASKET, FUEL TRAY	5 5A	-----	-----	1	83503-MCA-A00	7119407
18	BOLT, SPECIAL NSHF (6X34).....	5 5A	-----	-----	4	90104-MCA-000	6621619

FUEL TANK



MCAA-F2100

MCAAF2100

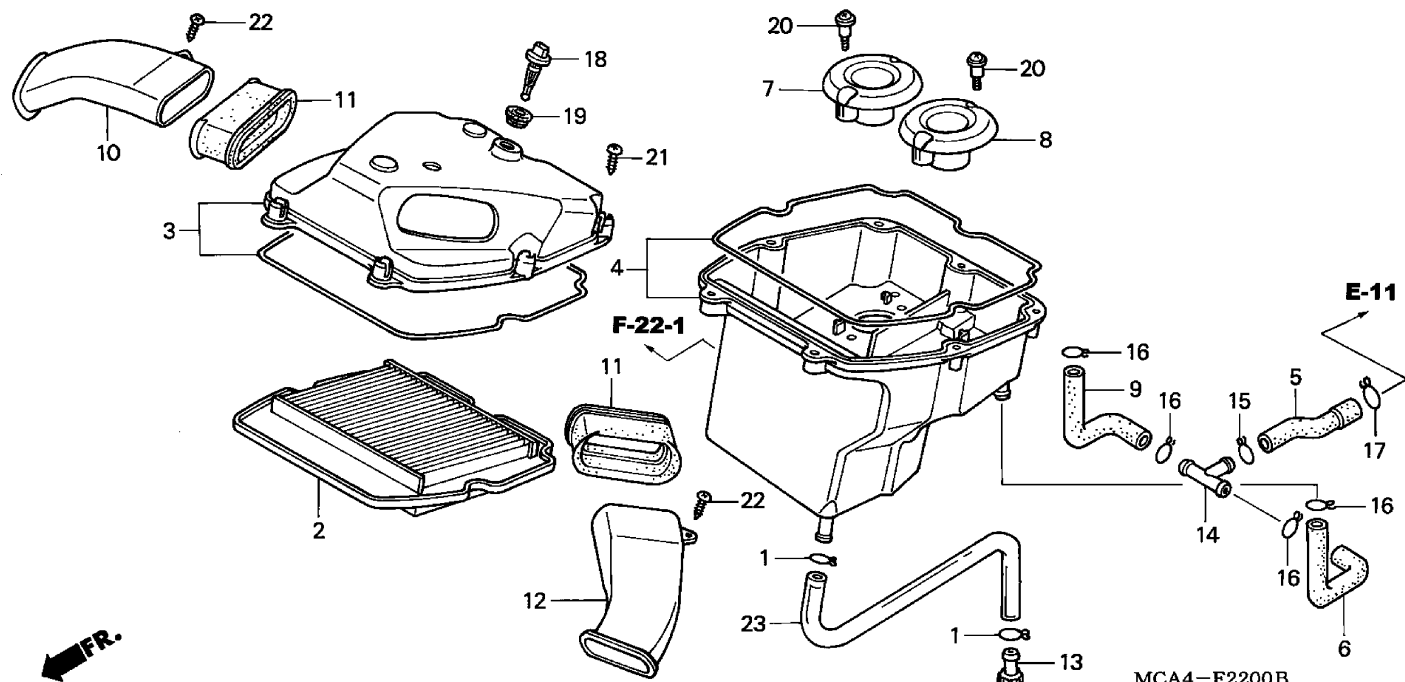
5 =GL1800'05
5A=GL1800A'05

F-21

Frame
Serial Number

Ref	Description	Model	From	To	QTY	Part Number	H/C
19	WASHER, TANK SETTING	5 5A	-----	-----	2	90136-428-870	0812834
20	CLIP (2X60)	5 5A	-----	-----	1	91410-679-000	0840215
21	BULK HOSE, VACUUM (8X1000) (8X840)	5 5A	-----	-----	1	95005-80001-20M	5243910
22	BOLT, FLANGE (6X16)	5 5A	-----	-----	2	96001-06016-07	2532737

AIR CLEANER



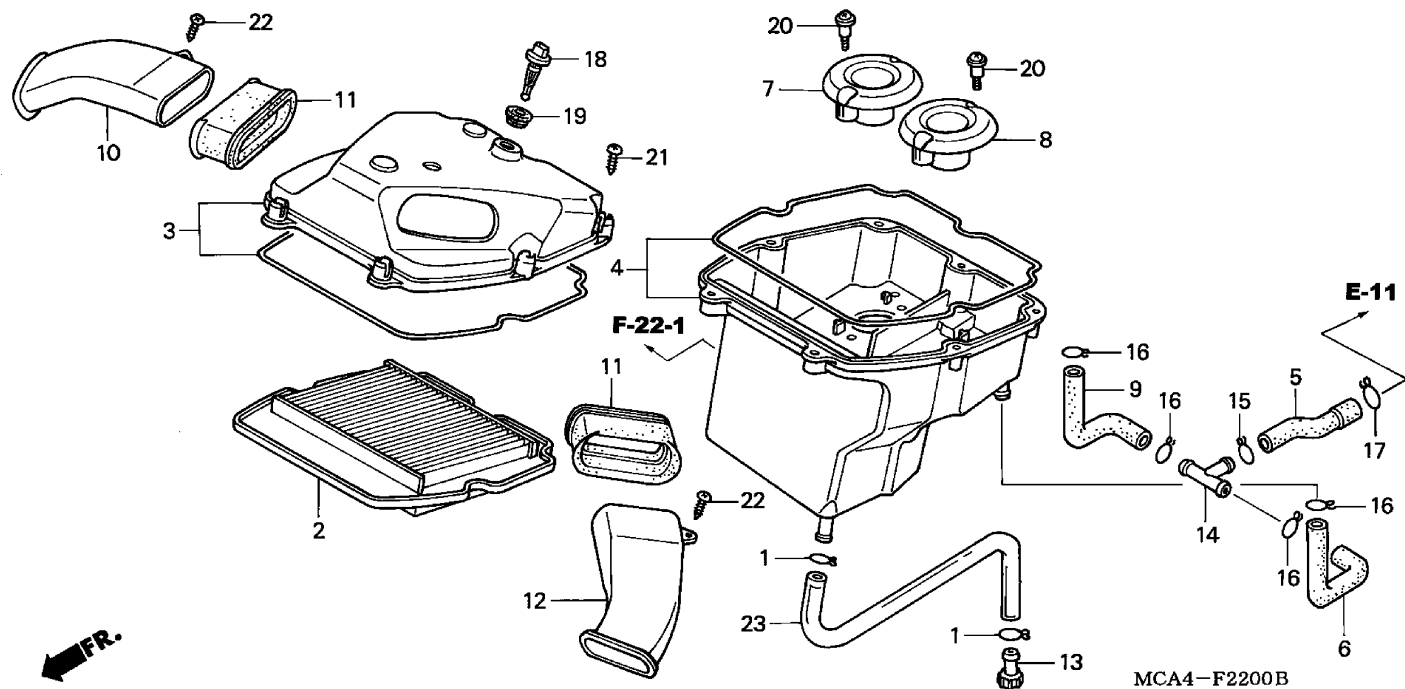
5 =GL1800'05
5A=GL1800A'05

F-22

Frame
Serial Number

Ref	Description	Model	From	To	QTY	Part Number	H/C
1	CLIP, OIL DRAIN TUBE	5 5A	-----	-----	2	15771-KV6-000	2852242
2	ELEMENT, AIR CLEANER.....	5 5A	-----	-----	1	17210-MCA-003	6536965
3	COVER, AIR CLEANER.....	5 5A	-----	-----	1	17221-MCA-003	6536973
4	HOUSING, AIR CLEANER.....	5 5A	-----	-----	1	17231-MCA-003	6536981
5	TUBE C, BREATHER.....	5 5A	-----	-----	1	17233-MCA-000	6537948
6	TUBE B, BREATHER.....	5 5A	-----	-----	1	17235-MCA-000	6537955
7	FUNNEL, R. AIR.....	5 5A	-----	-----	1	17237-MCA-003	6617898
8	FUNNEL, L. AIR.....	5 5A	-----	-----	1	17239-MCA-003	6617906
9	TUBE A, BREATHER.....	5 5A	-----	-----	1	17245-MCA-000	6537963
10	DUCT, R. AIR CLEANER IN.	5 5A	-----	-----	1	17251-MCA-003	6536999
11	RUBBER, DUCT.....	5 5A	-----	-----	2	17252-MCA-003	6537005
12	DUCT, L. AIR CLEANER IN.	5 5A	-----	-----	1	17254-MCA-003	6537013
13	PLUG, BREATHER TUBE	5 5A	-----	-----	1	17370-382-870	0687368
14	JOINT, THREE-WAY BREATHER.....	5 5A	-----	-----	1	17420-MCA-000	6538813
15	CLIP, BREATHER TUBE	5 5A	-----	-----	1	17554-MB0-000	1260264
16	CLIP, SUB-TANK HOSE	5 5A	-----	-----	4	17724-102-700	0290213
17	CLIP, AIR HOSE (21.5)	5 5A	-----	-----	1	18532-634-670	0576140
18	SENSOR ASSY., AIR TEMPERATURE.....	5 5A	-----	-----	1	37880-MCA-003	6619696

AIR CLEANER



MCA4-F2200B

MCA4F2200B

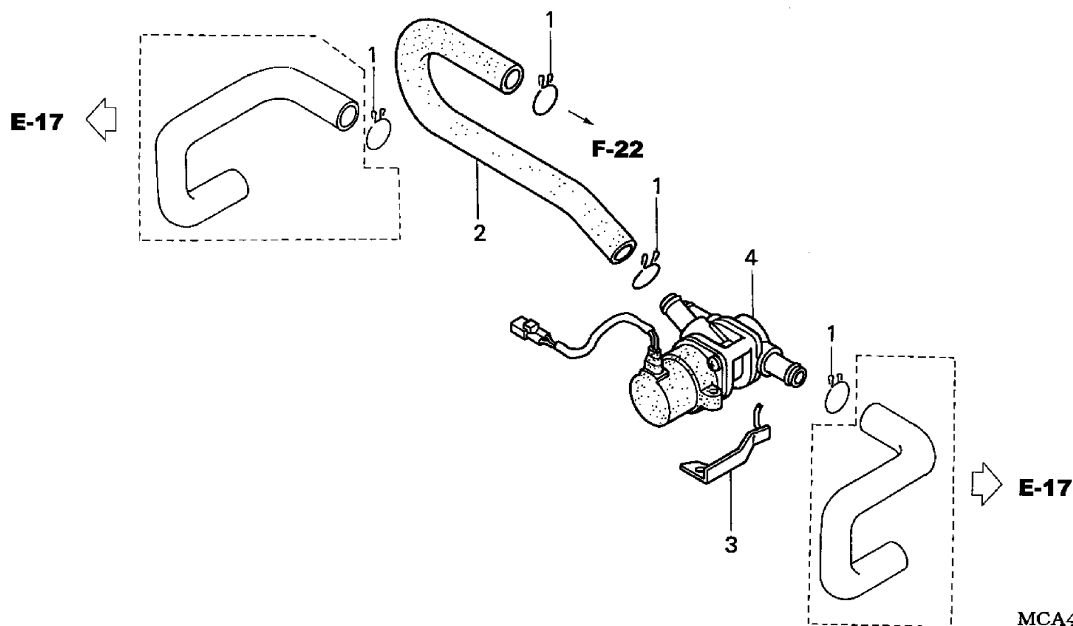
5 =GL1800'05
5A=GL1800A'05

F-22

Frame
Serial Number

Ref	Description	Model	From	To	QTY	Part Number	H/C
19	GROMMET, TA SENSOR	5 5A	-----	-----	1	37881-MCA-003	6619704
20	SCREW, PAN (5MM)	5 5A	-----	-----	4	91508-MM5-000	2568954
21	SCREW, TAPPING (5X20).....	5 5A	-----	-----	7	93903-25480	1938406
22	SCREW, TAPPING (5X16).....	5 5A	-----	-----	2	93913-25420	4021077
23	TUBE, VINYL (11X15X420) (95003-37001-60M) (NA USE ALT:95003-37003-60M)	5 5A	-----	-----	1	95003-37042-31	6654214

AIR INJECTION VALVE



MCA4-F2201C

MCA4F2201C

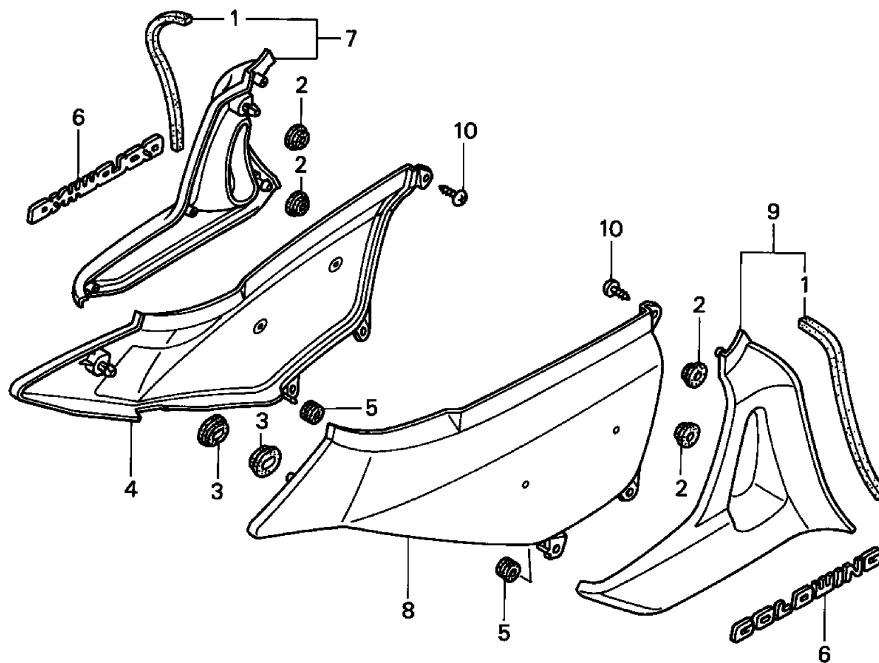
5 =GL1800'05
5A=GL1800A'05

F-22-1

Frame
Serial Number

Ref	Description	Model	From	To	QTY	Part Number	H/C
1	CLIP, SUB-TANK HOSE	5 5A	-----	-----	4	17724-102-700	0290213
2	TUBE A, AIR IN.	5 5A	-----	-----	1	18661-MCA-000	6538086
3	STAY, SOLENOID	5 5A	-----	-----	1	18665-MCA-000	6543409
4	VALVE ASSY., EX. AIR INJECTION	5 5A	-----	-----	1	36450-MCA-003	6619639

SIDE COVER



MCA4- F2300

MCA4F2300

5 =GL1800'05
5A=GL1800A'05

F-23

Frame
Serial Number

Ref	Description	Model	From	To	QTY	Part Number	H/C
1	SEAL, TURN SIGNAL LENS	5 5A	-----	-----	2	53209-KV7-670	2583755
2	GROMMET, RR. COVER.....	5 5A	-----	-----	4	83504-GE0-000	1719012
3	GROMMET, AIR CLEANER HOUSING	5 5A	-----	-----	2	83551-GE2-000	1406164
4	COVER SET, R. SIDE *Y130P* (PEARL HOT ROD YELLOW)	5 5A	-----	-----	1	83600-MCA-000ZD	6544035
	COVER SET, R. SIDE *R287M* (BLOODSTONE RED METALLIC).....	5 5A	-----	-----	1	83600-MCA-000ZM	7527641
	COVER SET, R. SIDE *NHA29* (ARCTIC WHITE).....	5 5A	-----	-----	1	83600-MCA-000ZQ	7527674
	COVER SET, R. SIDE *NHA27M* (BILLET SILVER METALLIC).....	5 5A	-----	-----	1	83600-MCA-000ZR	7795289
	COVER SET, R. SIDE *PB356M* (NOVA BLUE METALLIC)	5 5A	-----	-----	1	83600-MCA-000ZT	7795297
	COVER SET, R. SIDE *NHA45M* (PORTLAND GRAY METALLIC)	5 5A	-----	-----	1	83600-MCA-000ZU	7795305
5	GROMMET, SIDE COVER.....	5 5A	-----	-----	2	83601-MN5-000	2810133
6	EMBLEM, SIDE COVER	5 5A	-----	-----	2	83605-MCA-A40	7840275
7	PROTECTOR SET, R. SIDE *NH303M* (MAT AXIS GRAY METALLIC).....	5 5A	-----	-----	1	83610-MCA-000ZA	6544043

SIDE COVER

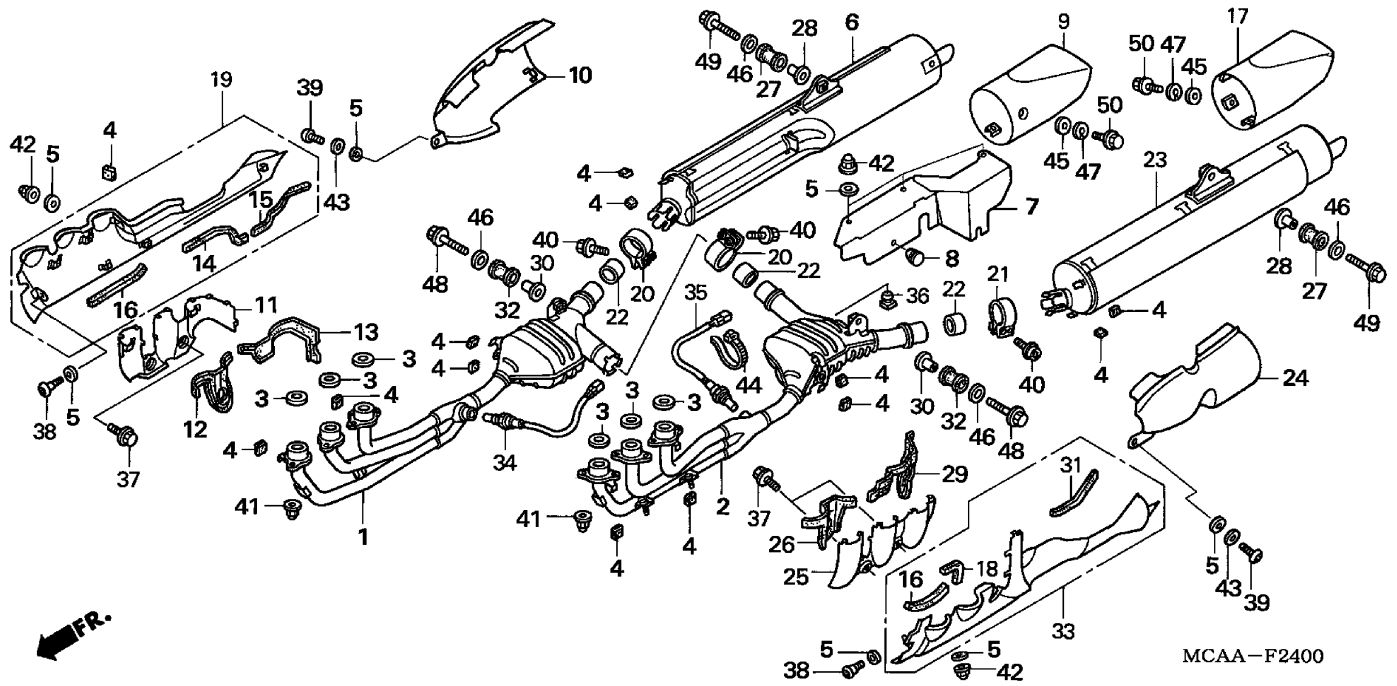
5 =GL1800'05
5A=GL1800A'05

F-23

Frame
Serial Number

Ref	Description	Model	From	To	QTY	Part Number	H/C
8	COVER SET, L. SIDE *Y130P* (PEARL HOT ROD YELLOW)	5 5A	-----	-----	1	83700-MCA-000ZD	6544084
	COVER SET, L. SIDE *R287M* (BLOODSTONE RED METALLIC).....	5 5A	-----	-----	1	83700-MCA-000ZM	7527690
	COVER SET, L. SIDE *NHA29* (ARCTIC WHITE).....	5 5A	-----	-----	1	83700-MCA-000ZQ	7527724
	COVER SET, L. SIDE *NHA27M* (BILLET SILVER METALLIC).....	5 5A	-----	-----	1	83700-MCA-000ZR	7795313
	COVER SET, L. SIDE *PB356M* (NOVA BLUE METALLIC)	5 5A	-----	-----	1	83700-MCA-000ZT	7795321
	COVER SET, L. SIDE *NHA45M* (PORTLAND GRAY METALLIC)	5 5A	-----	-----	1	83700-MCA-000ZU	7795339
9	PROTECTOR SET, L. SIDE *NH303M* (MAT AXIS GRAY METALLIC).....	5 5A	-----	-----	1	83710-MCA-000ZA	6544092
10	SCREW, TAPPING (5X10).....	5 5A	-----	-----	6	93903-25180	0565218

MUFFLER



MCAA-F2400

MCAAF2400

5 =GL1800'05
5A=GL1800A'05

F-24

Frame
Serial Number

Ref	Description	Model	From	To	QTY	Part Number	H/C
1	PIPE, R. EX.....	5 5A	-----	-----	1	18150-MCA-781	6775894
2	PIPE, L. EX.	5 5A	-----	-----	1	18250-MCA-781	6775910
3	GASKET, EX. PIPE	5 5A	-----	-----	6	18291-MN5-650	3246535
4	RUBBER, PROTECTOR GASKET.....	5 5A	-----	-----	13	18293-MCA-A20	7544455
5	GASKET, PROTECTOR.....	5 5A	-----	-----	12	18293-MCA-780	6775928
6	MUFFLER, R.	5 5A	-----	-----	1	18305-MCA-A20	7527922
7	PLATE, MUFFLER	5 5A	-----	-----	1	18313-MCA-A20	7527948
8	GROMMET, MUFFLER COVER	5 5A	-----	-----	1	18314-MCA-A20	7544463
9	TAILPIECE, R.	5 5A	-----	-----	1	18316-MCA-003	6536791
10	PROTECTOR, R. RR. EX. PIPE	5 5A	-----	-----	1	18317-MCA-A20	7544471
11	PROTECTOR B, R. FR. EX. PIPE	5 5A	-----	-----	1	18318-MCA-000	6618052
12	RUBBER A, R. HEAT GUARD	5 5A	-----	-----	1	18321-MCA-000	6618060
13	RUBBER B, R. HEAT GUARD	5 5A	-----	-----	1	18323-MCA-000	6618078
14	RUBBER C.....	5 5A	-----	-----	1	18329-MCA-A20	7544489
15	RUBBER D.....	5 5A	-----	-----	1	18332-MCA-A20	7544497
16	PROTECTOR, HEAT	5 5A	-----	-----	2	18333-MCA-000	6618102
17	TAILPIECE, L.	5 5A	-----	-----	1	18336-MCA-003	6536809
18	PROTECTOR, HEAT SUB.....	5 5A	-----	-----	1	18338-MCA-000	6618128

MUFFLER

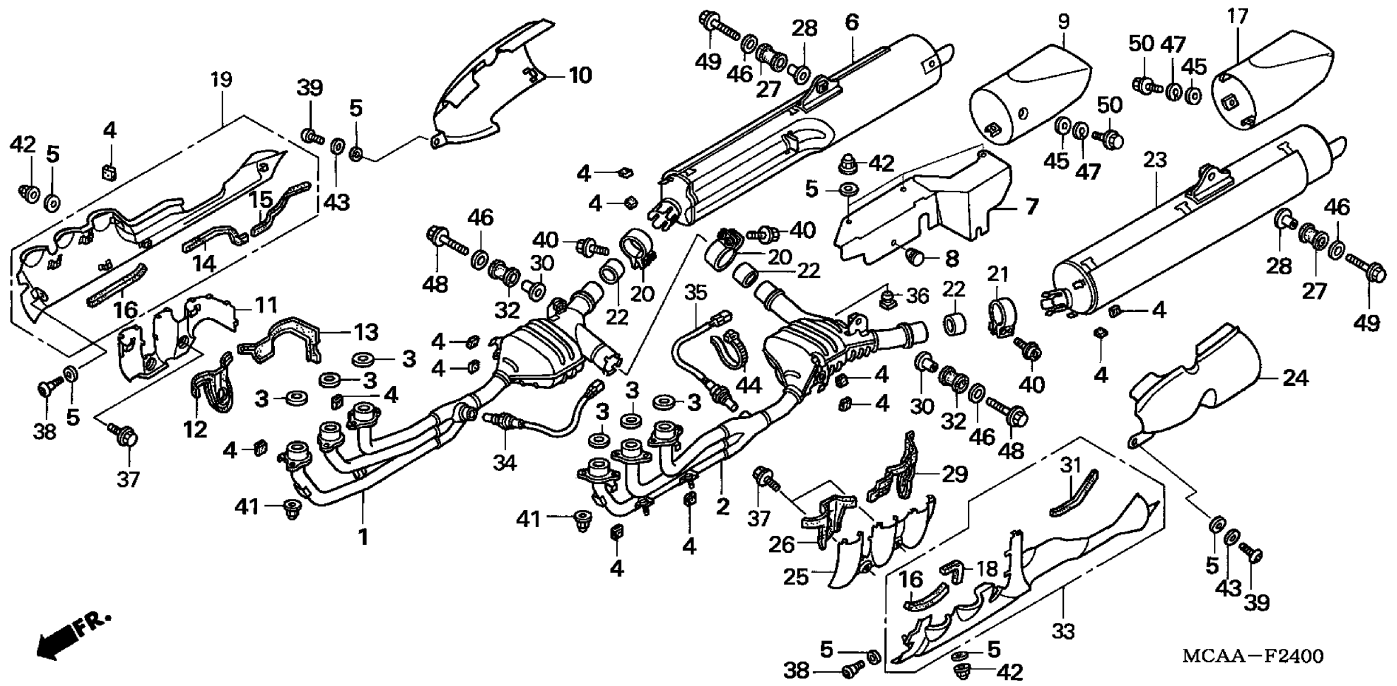
5 =GL1800'05
5A=GL1800A'05

F-24

Frame
Serial Number

Ref	Description	Model	From	To	QTY	Part Number	H/C
19	PROTECTOR ASSY., R. EX. *NH168M* (VERNIER GRAY METALLIC)	5 5A	-----	-----	1	18355-MCA-A20ZA	7544505
20	BAND, R. MUFFLER	5 5A	-----	-----	2	18376-MT3-000	3483187
21	BAND, L. MUFFLER.....	5 5A	-----	-----	1	18377-MT3-000	3483195
22	GASKET B, MUFFLER.....	5 5A	-----	-----	3	18392-MAM-000	4517975
23	MUFFLER, L.	5 5A	-----	-----	1	18405-MCA-003	6536817
24	PROTECTOR, L. RR. EX. PIPE.....	5 5A	-----	-----	1	18417-MCA-A20	7544513
25	PROTECTOR B, L. FR. EX. PIPE	5 5A	-----	-----	1	18418-MCA-000	6618136
26	RUBBER A, L. HEAT GUARD	5 5A	-----	-----	1	18421-MCA-000	6618144
27	RUBBER, MUFFLER SETTING	5 5A	-----	-----	2	18421-MM5-000	2804169
28	COLLAR, MUFFLER SETTING	5 5A	-----	-----	2	18422-MM5-000	2804177
29	RUBBER B, L. HEAT GUARD	5 5A	-----	-----	1	18423-MCA-000	6618151
30	COLLAR, MUFFLER SETTING	5 5A	-----	-----	2	18424-MM5-000	2804193
31	RUBBER E	5 5A	-----	-----	1	18429-MCA-A20	7544521
32	RUBBER, EX. PIPE	5 5A	-----	-----	2	18441-MCA-A20	7544539
33	PROTECTOR ASSY., L. EX. *NH168M* (VERNIER GRAY METALLIC)	5 5A	-----	-----	1	18455-MCA-A20ZA	7544547
34	SENSOR, OXYGEN (#1-3-5)	5 5A	-----	-----	1	36531-MCA-023	7200900
35	SENSOR, OXYGEN (#2-4-6)	5 5A	-----	-----	1	36532-MCA-023	7200918
36	RUBBER, STAND STOPPER	5 5A	-----	-----	1	50524-MG9-000	1527563
37	BOLT, FLANGE (6X10) (NSHF).....	5 5A	-----	-----	4	90004-GHB-600	4938304
38	BOLT, FLANGE (6X10)	5 5A	-----	-----	2	90011-HN0-A00	5750310
39	BOLT, SPECIAL (6X12)	5 5A	-----	-----	2	90112-MCA-000	6621676
40	BOLT, FLANGE SOCKET (8X35)	5 5A	-----	-----	6	90130-MCA-000	6621833
41	NUT, SPECIAL (6MM)	5 5A	-----	-----	12	90304-HB3-771	2461614
42	NUT, CAP (6MM)	5 5A	-----	-----	8	90308-MT8-000	3243441
43	WASHER (6.5X18).....	5 5A	-----	-----	2	90545-323-700	0313163
44	BAND, WIRE	5 5A	-----	-----	1	90650-KV6-003	2687788
45	WASHER, PLAIN (6MM)	5 5A	-----	-----	6	94101-06000	0059071
	WASHER, PLAIN (6MM)	5 5A	-----	-----	6	94101-06080	3136074
	WASHER, PLAIN (6MM)	5 5A	-----	-----	6	94101-06800	0345900
46	WASHER, PLAIN (8MM)	5 5A	-----	-----	4	94103-08000	0876896
47	WASHER, SPRING (6MM).....	5 5A	-----	-----	6	94111-06000	0058974
48	BOLT, FLANGE (8X45)	5 5A	-----	-----	2	95701-08045-00	2533859

MUFFLER



MCAA-F2400

MCAAF2400

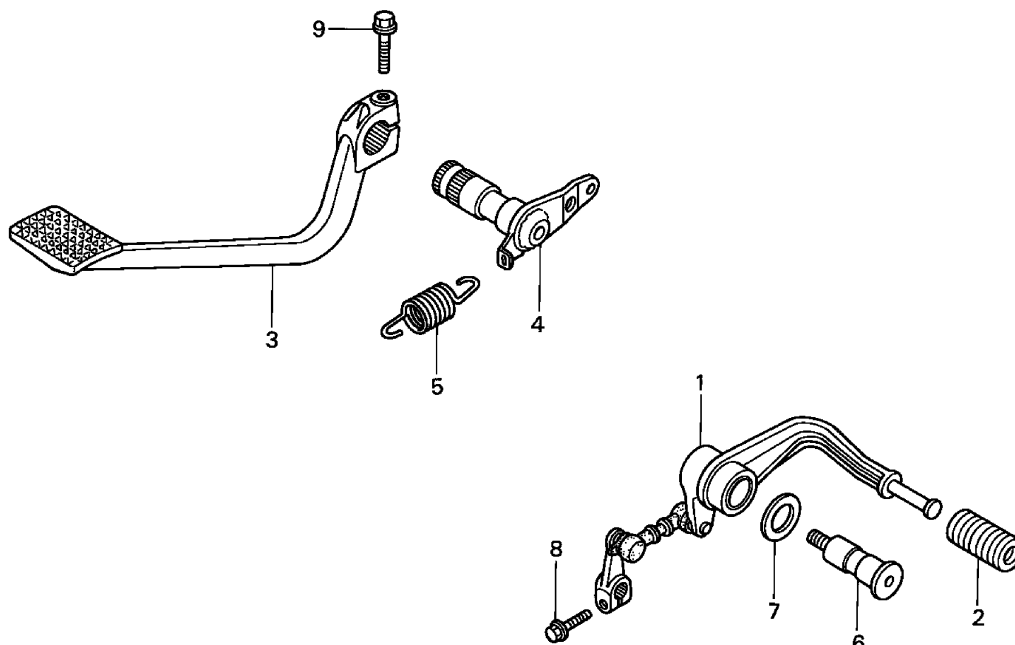
5 =GL1800'05
5A=GL1800A'05

F-24

Frame
Serial Number

Ref	Description	Model	From	To	QTY	Part Number	H/C
49	BOLT, FLANGE (8X55)	5 5A	-----	-----	2	95701-08055-02	2829570
50	BOLT, FLANGE (6X12)	5 5A	-----	-----	6	96001-06012-00	2105930

PEDAL



MCA4- F2500

MCA4F2500

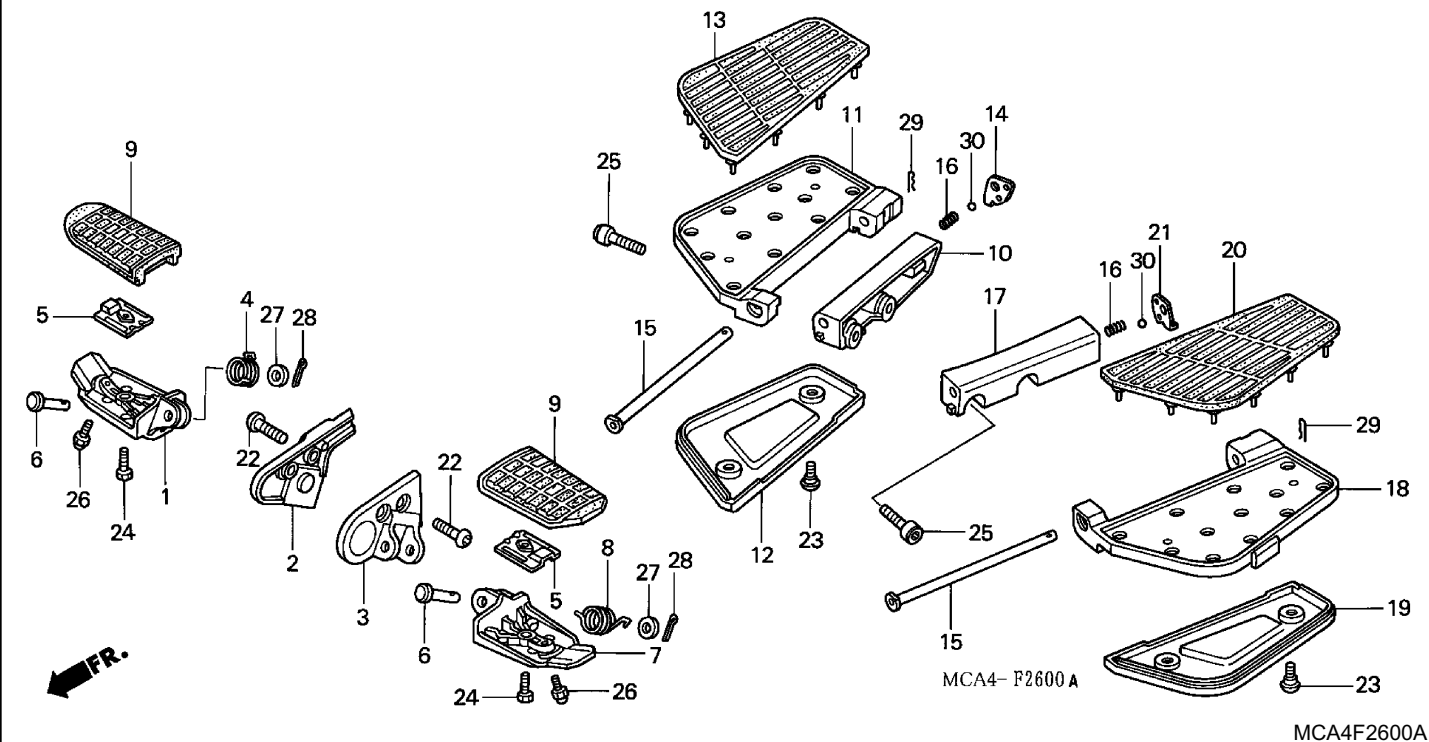
5 =GL1800'05
5A=GL1800A'05

F-25

Frame
Serial Number

Ref	Description	Model	From	To	QTY	Part Number	H/C
1	PEDAL, GEARSHIFT	5 5A	-----	-----	1	24705-MCA-000	6619050
2	RUBBER, CHANGE PEDAL.....	5 5A	-----	-----	1	24781-KR3-770	2252625
3	PEDAL, RR. BRAKE.....	5 5A	-----	-----	1	46500-MCA-000	6620207
4	SPINDLE, RR. BRAKE.....	5 5A	-----	-----	1	46505-MCA-780	6776298
5	SPRING, BRAKE RETURN	5 5A	-----	-----	1	46514-MCA-000	6620223
6	BOLT, CHANGE PIVOT	5 5A	-----	-----	1	90115-MAL-600	4639910
7	WASHER (24X8.5).....	5 5A	-----	-----	1	90502-MS2-000	3377629
8	BOLT, FLANGE (6X20)	5 5A	-----	-----	1	96300-06020-00	1829894
9	BOLT, FLANGE (8X32)	5 5A	-----	-----	1	96300-08032-00	1829985

STEP



5 =GL1800'05
5A=GL1800A'05

F-26

Frame
Serial Number

Ref	Description	Model	From	To	QTY	Part Number	H/C
1	ARM, R. STEP	5 5A	-----	-----	1	50612-MCA-000	6620306
2	BRACKET, R. MAIN STEP.....	5 5A	-----	-----	1	50613-MCA-000	6620314
3	BRACKET, L. MAIN STEP	5 5A	-----	-----	1	50614-MCA-000	6620322
4	SPRING, R. STEP RETURN	5 5A	-----	-----	1	50617-MM5-000	2543296
5	PLATE, STEP SETTING	5 5A	-----	-----	2	50619-MCA-000	6620330
6	PIN, STEP BAR	5 5A	-----	-----	2	50639-ML0-010	3375532
7	ARM, L. STEP	5 5A	-----	-----	1	50642-MCA-000	6620348
8	SPRING, L. STEP RETURN.....	5 5A	-----	-----	1	50644-MM5-000	2543346
9	RUBBER, STEP	5 5A	-----	-----	2	50661-MCA-000	6620355
10	HOLDER, R. PILLION STEP	5 5A	-----	-----	1	50715-MCA-000	6620389
11	PLATE, R. PILLION STEP	5 5A	-----	-----	1	50716-MCA-010	6762496
12	COVER, R. PILLION STEP (LOWER) *NH454M* (ECLIPSE SILVER METALLIC).....	5 5A	-----	-----	1	50717-MCA-000ZA	6620405
13	RUBBER, R. PILLION STEP	5 5A	-----	-----	1	50718-MCA-000	6620413
14	PLATE, PILLION STEP CLICK.....	5 5A	-----	-----	1	50720-MT8-770	3358645
15	PIN, PILLION STEP	5 5A	-----	-----	2	50721-MCA-A00	7113384
16	SPRING, PILLION STEP ADJUST CLICK..	5 5A	-----	-----	2	50746-MT8-770	3358850

STEP

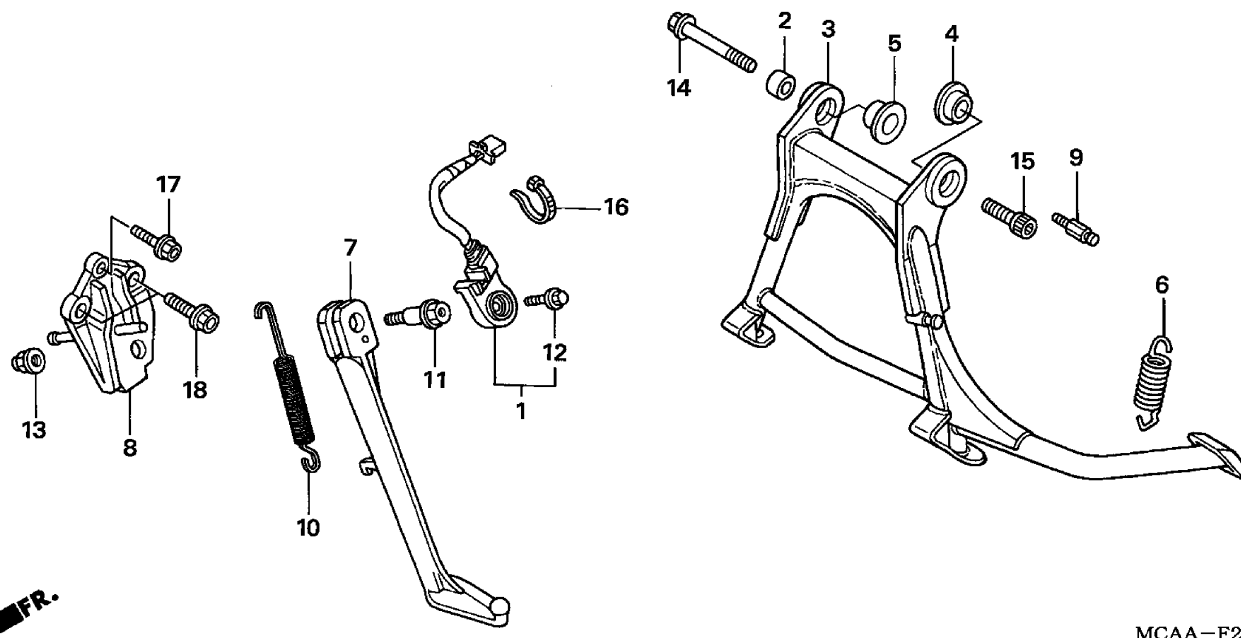
5 =GL1800'05
5A=GL1800A'05

F-26

Frame
Serial Number

Ref	Description	Model	From	To	QTY	Part Number	H/C
17	HOLDER, L. PILLION STEP.....	5 5A	-----	-----	1	50815-MCA-000	6620439
18	PLATE, L. PILLION STEP	5 5A	-----	-----	1	50816-MCA-010	6762504
19	COVER, L. PILLION STEP (LOWER) *NH454M* (ECLIPSE SILVER METALLIC).....	5 5A	-----	-----	1	50817-MCA-000ZA	6620454
20	RUBBER, L. PILLION STEP.....	5 5A	-----	-----	1	50818-MCA-000	6620462
21	PLATE, L. PILLION STEP CLICK.....	5 5A	-----	-----	1	50820-MT8-770	3358918
22	BOLT, SOCKET (8X22)	5 5A	-----	-----	4	90100-GCT-J50	6621601
23	SCREW, SPECIAL (5X12)	5 5A	-----	-----	4	90106-MBY-000	6092043
24	BOLT, MAIN STEP RUBBER SETTING	5 5A	-----	-----	2	90115-MT3-000	3487857
25	BOLT, SOCKET (8X32)	5 5A	-----	-----	4	90155-MBL-610	6621940
26	BOLT, CAP (6X12).....	5 5A	-----	-----	2	92501-06012-0A	4218681
27	WASHER, PLAIN (8MM)	5 5A	-----	-----	2	94101-08000	0059097
28	PIN, COTTER (2.0X15)	5 5A	-----	-----	2	94201-20150	0058347
29	PIN, LOCK (8MM).....	5 5A	-----	-----	2	94251-08000	0115527
30	BALL, STEEL (#8) (1/4)	5 5A	-----	-----	2	96211-08000	0079905

STAND



MCAA-F2700

MCAAF2700

5 =GL1800'05
5A=GL1800A'05

F-27

Frame
Serial Number

Ref	Description	Model	From	To	QTY	Part Number	H/C
1	SWITCH SET, SIDE STAND	5 5A	-----	-----	1	35070-MCA-000	6619373
2	COLLAR, L. FR. ENGINE HANGER	5 5A	-----	-----	1	50355-MS9-750	6657902
3	STAND, MAIN.....	5 5A	-----	-----	1	50500-MCA-A00	7084601
4	COLLAR, MAIN STAND.....	5 5A	-----	-----	1	50503-MCA-000	6620272
5	COLLAR, R. MAIN STAND.....	5 5A	-----	-----	1	50504-MCA-000	6657910
6	SPRING A, MAIN STAND	5 5A	-----	-----	1	50525-MCA-000	6620280
7	BAR, SIDE STAND.....	5 5A	-----	-----	1	50532-MCA-000	6539142
8	BRACKET, SIDE STAND	5 5A	-----	-----	1	50535-MCA-000	6539191
9	HOOK, MAIN STAND SPRING	5 5A	-----	-----	1	50538-ML7-000	2406569
10	SPRING, SIDE STAND	5 5A	-----	-----	1	50540-MAT-000	5215140
11	BOLT, SIDE STAND PIVOT.....	5 5A	-----	-----	1	90108-MR5-000	3141595
12	BOLT, SPECIAL (6X16).....	5 5A	-----	-----	1	90147-MCE-950	7332737
13	NUT, SIDE STAND.....	5 5A	-----	-----	1	90203-MF9-710	2544781
14	BOLT, FLANGE (10X60) (LEFT HAND THREAD)	5 5A	-----	-----	1	90601-MCA-A00	7113483
15	BOLT, SOCKET (10X28)	5 5A	-----	-----	1	90602-MCA-A00	7113491
16	BAND, WIRE	5 5A	-----	-----	1	90652-KT1-771	2710416
17	BOLT, FLANGE (8X30)	5 5A	-----	-----	1	96300-08030-07	3034881

STAND

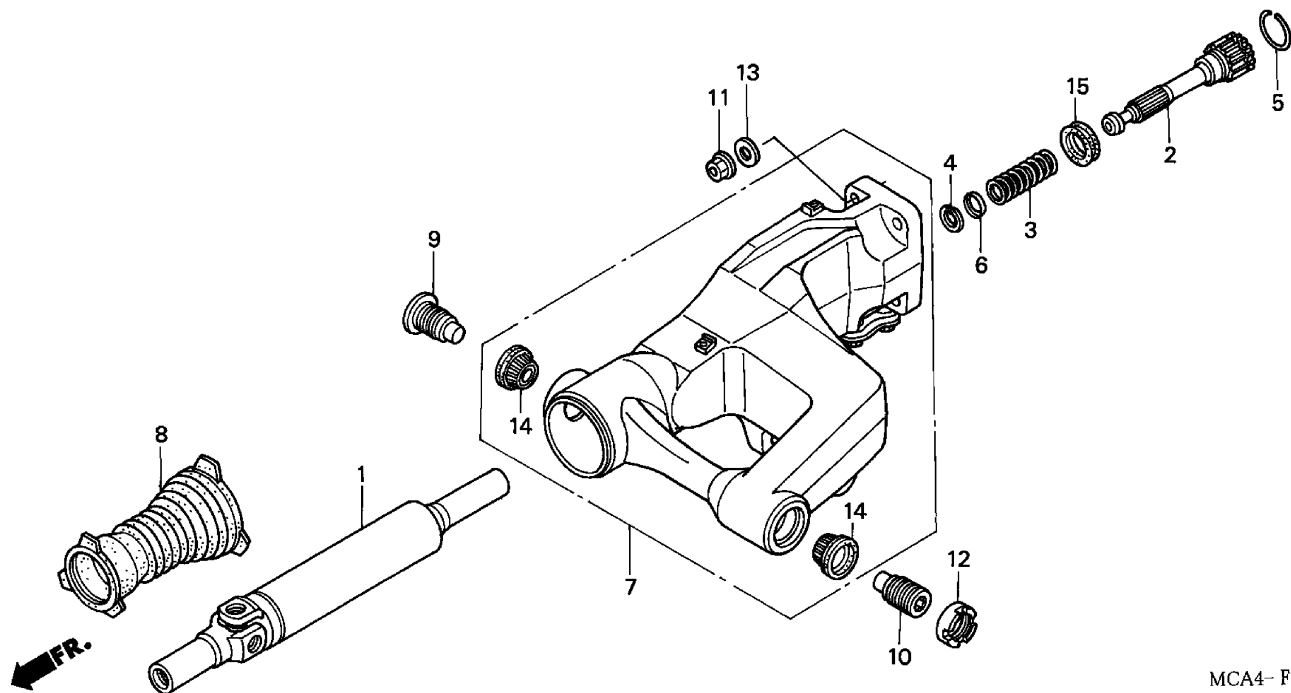
5 =GL1800'05
5A=GL1800A'05

F-27

Frame
Serial Number

Ref	Description	Model	From	To	QTY	Part Number	H/C
18	BOLT, FLANGE (10X35)	5 5A	-----	-----	2	96400-10035-07	4046942

SWINGARM



MCA4- F2800

MCA4F2800

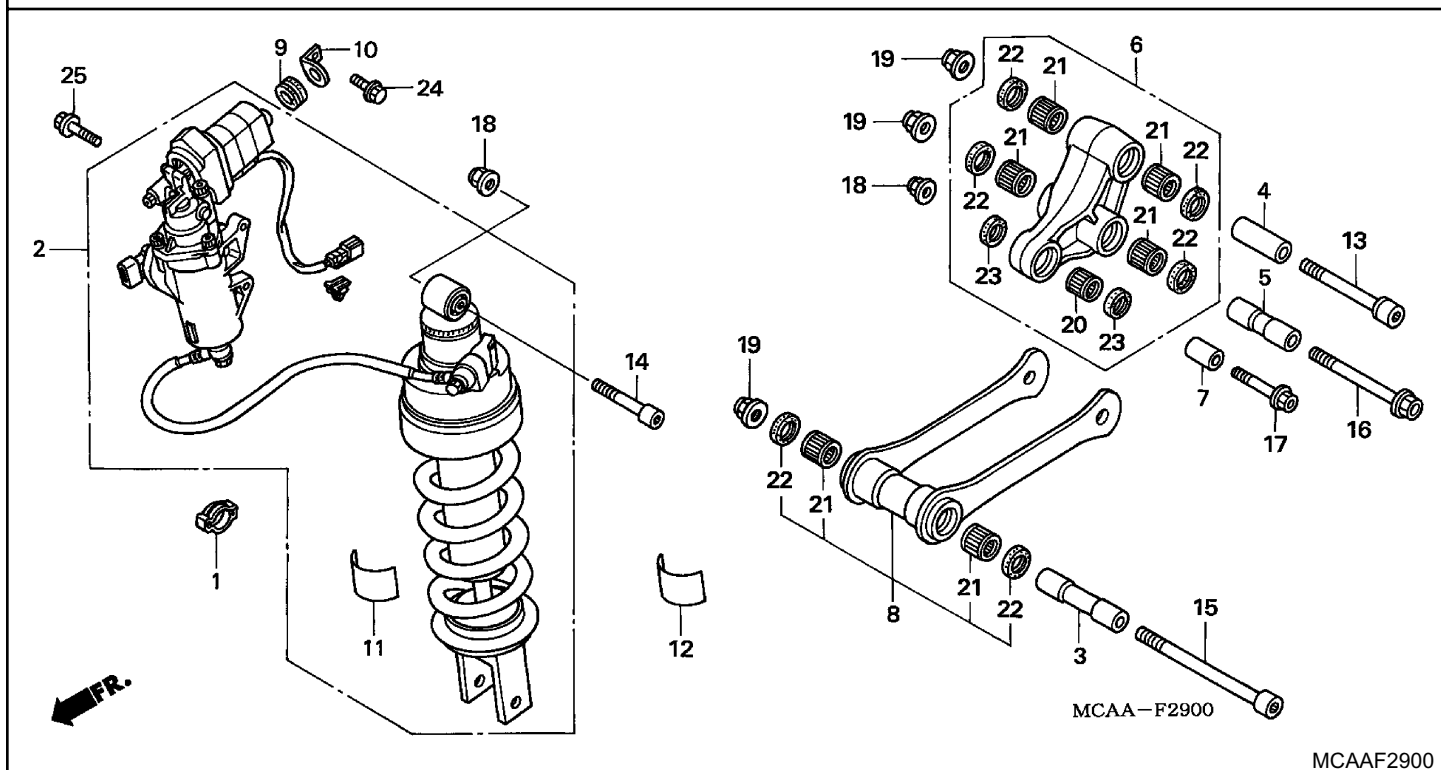
5 =GL1800'05
5A=GL1800A'05

F-28

Frame
Serial Number

Ref	Description	Model	From	To	QTY	Part Number	H/C
1	SHAFT, PROPELLER	5 5A	-----	-----	1	40200-MCA-010	6860217
2	JOINT, PROPELLER SHAFT	5 5A	-----	-----	1	40202-MCA-010	6873103
3	SPRING, PROPELLER SHAFT	5 5A	-----	-----	1	40216-MCA-000	6619886
4	CIRCLIP	5 5A	-----	-----	1	40219-MG9-000	1526771
5	RING, STOPPER	5 5A	-----	-----	1	40221-MB0-000	1247451
6	STOPPER, PROPELLER SHAFT	5 5A	-----	-----	1	40222-MG9-000	1526789
7	SWINGARM ASSY., RR.	5 5A	-----	-----	1	52100-MCA-A20	7527377
8	BOOT, JOINT	5 5A	-----	-----	1	52104-MCA-000	6539894
9	BOLT, R. SWINGARM PIVOT	5 5A	-----	-----	1	90121-MCA-000	6621759
10	BOLT, L. SWINGARM PIVOT	5 5A	-----	-----	1	90122-MCA-000	6621767
11	NUT, FLANGE (12MM).....	5 5A	-----	-----	4	90309-375-003	0384461
12	NUT, SWINGARM PIVOT	5 5A	-----	-----	1	90355-MCA-000	6622005
13	WASHER, PLAIN (12MM)	5 5A	-----	-----	4	90440-GT4-970	6622021
14	BEARING, TAPER ROLLER (25X47X15) ..	5 5A	-----	-----	2	91066-MCA-003	6622377
15	OIL SEAL (27X43X7)	5 5A	-----	-----	1	91261-ME9-005	1371194

REAR SHOCK ABSORBER



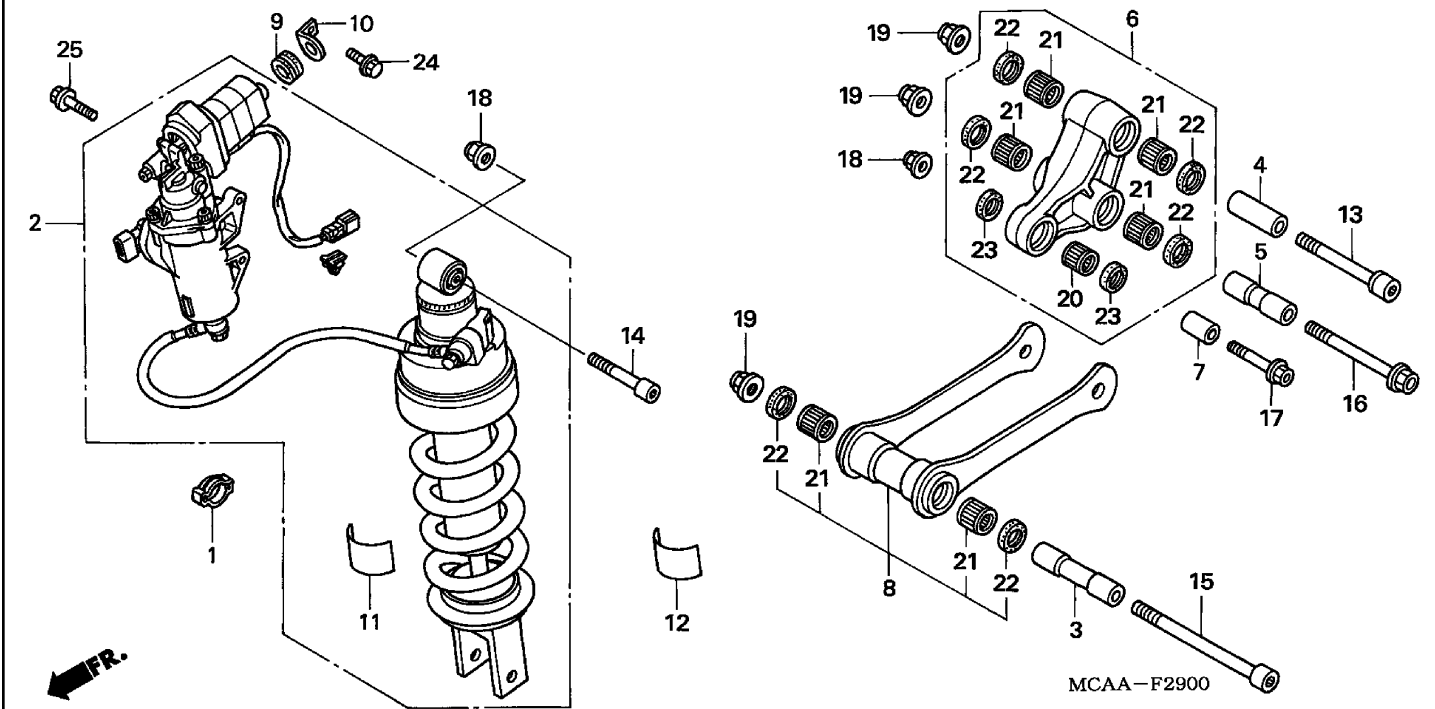
5 =GL1800'05
5A=GL1800A'05

F-29

Frame
Serial Number

Ref	Description	Model	From	To	QTY	Part Number	H/C
1	CLIP, THROTTLE WIRE	5 5A	-----	-----	1	17938-SE0-941	2114254
2	CUSHION ASSY., RR.....	5 5A	-----	-----	1	52400-MCA-003	6620470
3	COLLAR, CONNECTING ROD PIVOT	5 5A	-----	-----	1	52462-MCA-000	6620488
4	COLLAR A, CUSHION ARM	5 5A	-----	-----	1	52463-MAW-760	6620496
5	COLLAR C, CUSHION ARM	5 5A	-----	-----	1	52463-MCA-000	6620504
6	ARM SUB-ASSY., CUSHION.....	5 5A	-----	-----	1	52465-MCA-000	6539969
7	COLLAR C, SHOCK ABSORBER ARM.....	5 5A	-----	-----	1	52465-MY1-000	5592696
8	ROD SUB-ASSY., SHOCK CONNECTING	5 5A	-----	-----	1	52475-MCA-000	6620512
9	GROMMET, MOTOR MOUNTING.....	5 5A	-----	-----	1	52491-MCA-000	6539308
10	STAY, MOTOR.....	5 5A	-----	-----	1	52492-MCA-000	6539316
11	LABEL, RR. SHOCK ABSORBER	5 5A	-----	-----	1	87516-KV6-610	4100889
13	BOLT, SOCKET (12X90)	5 5A	-----	-----	1	90110-MCA-000	6621643
14	BOLT, SOCKET (10X55)	5 5A	-----	-----	1	90110-ML7-000	2408359
15	BOLT, SOCKET (12X127)	5 5A	-----	-----	1	90111-MCA-000	6621650
16	BOLT, FLANGE (12X99)	5 5A	-----	-----	1	90123-MCA-000	6537336
17	BOLT, FLANGE (10X55)	5 5A	-----	-----	1	90153-KF0-000	1421171
18	NUT, U (10MM)	5 5A	-----	-----	2	90304-GE8-003	1439249
19	NUT, FLANGE (12MM).....	5 5A	-----	-----	3	90306-KF0-003	1421197

REAR SHOCK ABSORBER



MCAAF2900

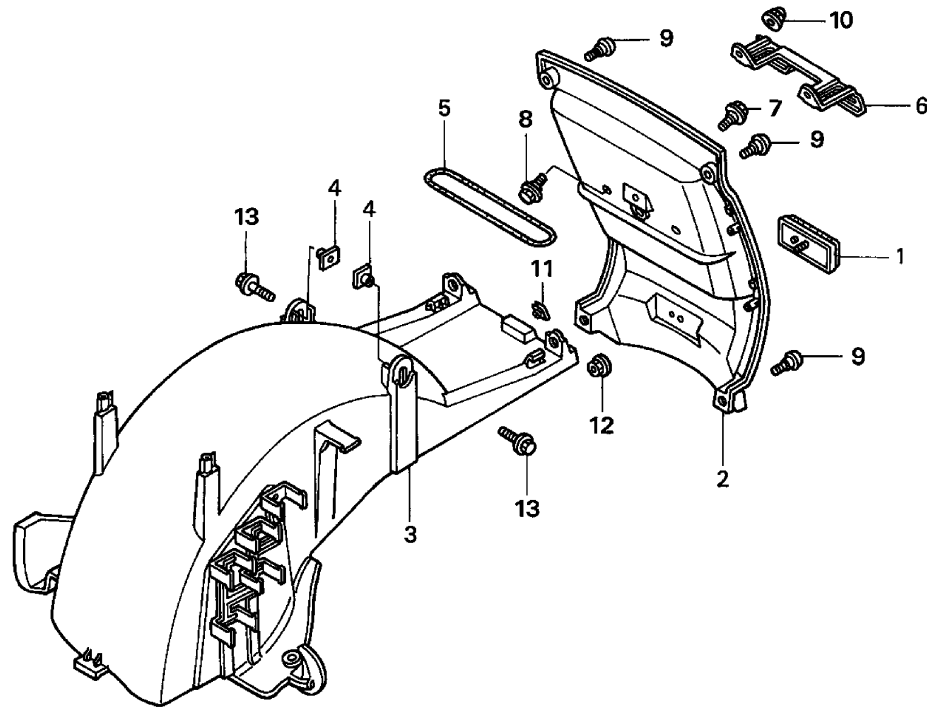
5 =GL1800'05
5A=GL1800A'05

F-29

Frame
Serial Number

Ref	Description	Model	From	To	QTY	Part Number	H/C
20	BEARING, NEEDLE (17X24X17)	5 5A	-----	-----	1	91071-MY1-005	4485686
21	BEARING, NEEDLE (20X26X20)	5 5A	-----	-----	6	91072-MY1-005	4774501
22	DUST SEAL (20X26X4.5) (ARAI)	5 5A	-----	-----	6	91254-KS6-003	2159713
23	DUST SEAL (17X24X5) (ARAI)	5 5A	-----	-----	2	91262-KV3-831	3699246
24	BOLT, FLANGE (6X12)	5 5A	-----	-----	1	95701-06012-00	2105799
25	BOLT, FLANGE (8X25)	5 5A	-----	-----	2	95701-08025-00	2545325

REAR FENDER



MCAA-F3000

MCAAF3000

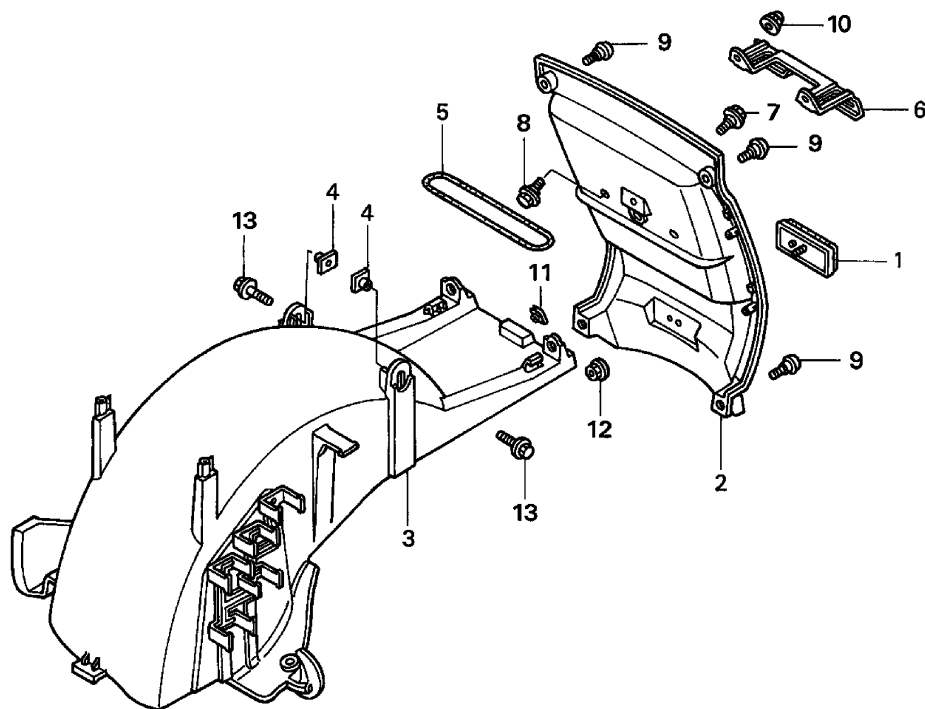
5 =GL1800'05
5A=GL1800A'05

F-30

Frame
Serial Number

Ref	Description	Model	From	To	QTY	Part Number	H/C
1	REFLECTOR, REFLEX	5 5A	-----	-----	1	33741-MS6-921	3696564
2	FENDER A, RR. *Y130P* (PEARL HOT ROD YELLOW)	5 5A	-----	-----	1	80100-MCA-000ZD	6542583
	FENDER A, RR. *R287M* (BLOODSTONE RED METALLIC)	5 5A	-----	-----	1	80100-MCA-000ZM	7527039
	FENDER A, RR. *NHA29* (ARCTIC WHITE).....	5 5A	-----	-----	1	80100-MCA-000ZQ	7527062
	FENDER A, RR. *NHA27M* (BILLET SILVER METALLIC).....	5 5A	-----	-----	1	80100-MCA-000ZR	7794621
	FENDER A, RR. *PB356M* (NOVA BLUE METALLIC).....	5 5A	-----	-----	1	80100-MCA-000ZT	7794647
	FENDER A, RR. *NHA45M* (PORTLAND GRAY METALLIC)	5 5A	-----	-----	1	80100-MCA-000ZU	7794654
3	FENDER B, RR.	5 5A	-----	-----	1	80101-MCA-000	6542591
4	NUT, RR. FENDER	5 5A	-----	-----	2	80104-KJ2-000	1842061
5	BAND, TOOL	5A	-----	-----	1	80123-GN5-900	6654123
6	BRACKET, NUMBER PLATE.....	5 5A	-----	-----	1	84700-MCA-000	6539134
7	SCREW, SPECIAL (6MM)	5 5A	-----	-----	1	90106-KCZ-000	4774329
8	BOLT, FLANGE (6MM).....	5 5A	-----	-----	2	90116-ME9-000	1371038
9	SCREW, SPECIAL (6MM)	5 5A	-----	-----	4	90137-MCA-000	6621890

REAR FENDER



MCAA-F3000

MCAAF3000

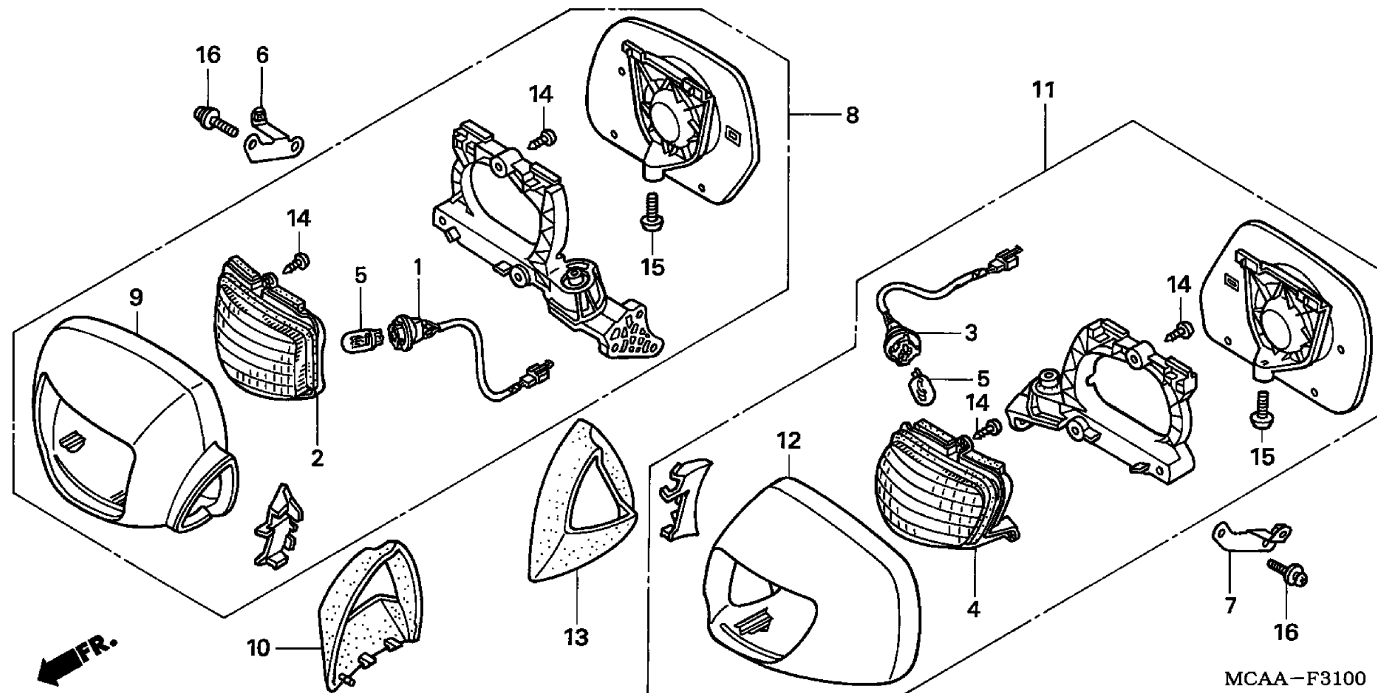
5 =GL1800'05
5A=GL1800A'05

F-30

Frame
Serial Number

Ref	Description	Model	From	To	QTY	Part Number	H/C
10	NUT, CAP (6MM)	5 5A	-----	-----	2	90201-415-000	0670729
11	NUT, SPRING (6MM)	5 5A	-----	-----	1	90320-MM5-000	2551943
12	NUT, FLANGE (5MM).....	5 5A	-----	-----	1	94050-05080	0612671
13	BOLT, FLANGE (6X16)	5 5A	-----	-----	2	96001-06016-07	2532737

TURN SIGNAL • MIRROR



MCAA-F3100

MCAAF3100

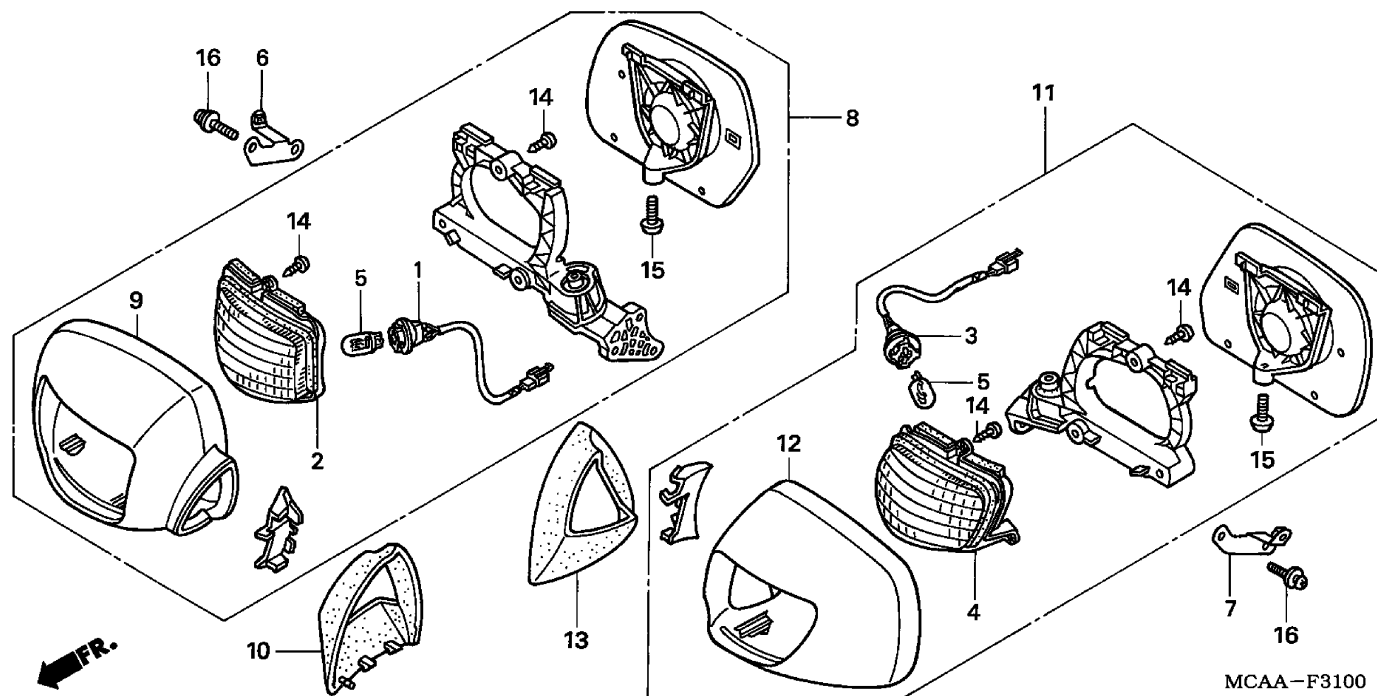
5 =GL1800'05
5A=GL1800A'05

F-31

Frame
Serial Number

Ref	Description	Model	From	To	QTY	Part Number	H/C
1	SOCKET, R.	5 5A	-----	-----	1	33405-MCA-671	6537369
2	LENS, R.	5 5A	-----	-----	1	33410-MCA-671	6537377
3	SOCKET, L.	5 5A	-----	-----	1	33455-MCA-671	6537393
4	LENS, L.	5 5A	-----	-----	1	33460-MCA-671	6537401
5	BULB, WEDGE BASE (12V/21/5W) (ECE) ..	5 5A	-----	-----	2	34906-MBB-611	5363650
6	STAY, R. VISOR.....	5 5A	-----	-----	1	64257-MCA-000	6620769
7	STAY, L. VISOR.....	5 5A	-----	-----	1	64267-MCA-000	6620785
8	MIRROR ASSY., R. BACK *Y130P* (PEARL HOT ROD YELLOW)	5 5A	-----	-----	1	88110-MCA-A00ZG	7061989
	MIRROR ASSY., R. BACK *R287M* (BLOODSTONE RED METALLIC)	5 5A	-----	-----	1	88110-MCA-A00ZM	7528011
	MIRROR ASSY., R. BACK *NHA29* (ARCTIC WHITE)	5 5A	-----	-----	1	88110-MCA-A00ZQ	7528045
	MIRROR ASSY., R. BACK *NHA27M* (BILLET SILVER METALLIC).....	5 5A	-----	-----	1	88110-MCA-A00ZR	7795347
	MIRROR ASSY., R. BACK *PB356M* (NOVA BLUE METALLIC)	5 5A	-----	-----	1	88110-MCA-A00ZT	7795354
	MIRROR ASSY., R. BACK *NHA45M* (PORTLAND GRAY METALLIC)	5 5A	-----	-----	1	88110-MCA-A00ZU	7795362
9	HOUSING, R. *NHA29* (ARCTIC WHITE)..	5 5A	-----	-----	1	88112-MCA-000ZA	7765712

TURN SIGNAL • MIRROR



MCAA-F3100

MCAAF3100

5 =GL1800'05
5A=GL1800A'05

F-31

Frame
Serial Number

Ref	Description	Model	From	To	QTY	Part Number	H/C
9	HOUSING, R. *R287M* (BLOODSTONE RED METALLIC)	5 5A	-----	-----	1	88112-MCA-000ZE	7765753
	HOUSING, R. *NHA27M* (BILLET SILVER METALLIC).....	5 5A	-----	-----	1	88112-MCA-000ZK	7795396
	HOUSING, R. *PB356M* (NOVA BLUE METALLIC).....	5 5A	-----	-----	1	88112-MCA-000ZM	7795404
	HOUSING, R. *Y130P* (PEARL HOT ROD YELLOW)	5 5A	-----	-----	1	88112-MCA-000ZN	7795412
	HOUSING, R. *NHA45M* (PORTLAND GRAY METALLIC)	5 5A	-----	-----	1	88112-MCA-000ZP	7795420
10	BOOT, R. BACK MIRROR.....	5 5A	-----	-----	1	88113-MCA-A00	7061997
11	MIRROR ASSY., L. BACK *Y130P* (PEARL HOT ROD YELLOW)	5 5A	-----	-----	1	88120-MCA-A00ZG	7062060
	MIRROR ASSY., L. BACK *R287M* (BLOODSTONE RED METALLIC).....	5 5A	-----	-----	1	88120-MCA-A00ZM	7528086
	MIRROR ASSY., L. BACK *NHA29* (ARCTIC WHITE)	5 5A	-----	-----	1	88120-MCA-A00ZQ	7528110
	MIRROR ASSY., L. BACK *NHA27M* (BILLET SILVER METALLIC).....	5 5A	-----	-----	1	88120-MCA-A00ZR	7795438
	MIRROR ASSY., L. BACK *PB356M* (NOVA BLUE METALLIC)	5 5A	-----	-----	1	88120-MCA-A00ZT	7795446

TURN SIGNAL • MIRROR

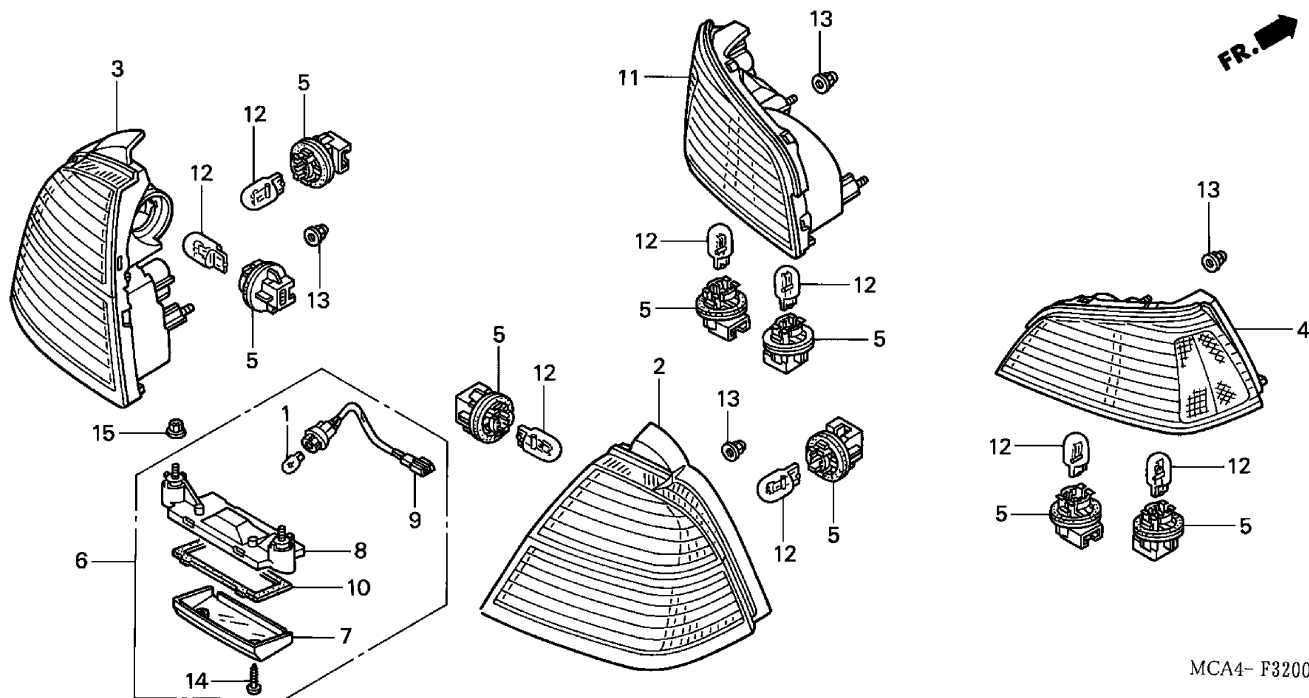
5 =GL1800'05
5A=GL1800A'05

F-31

Frame
Serial Number

Ref	Description	Model	From	To	QTY	Part Number	H/C
11	MIRROR ASSY., L. BACK *NHA45M* (PORTLAND GRAY METALLIC)	5 5A	-----	-----	1	88120-MCA-A00ZU	7795453
12	HOUSING, L. *NHA29* (ARCTIC WHITE) ..	5 5A	-----	-----	1	88122-MCA-000ZA	7766066
	HOUSING, L. *R287M* (BLOODSTONE RED METALLIC)	5 5A	-----	-----	1	88122-MCA-000ZE	7765845
	HOUSING, L. *NHA27M* (BILLET SILVER METALLIC).....	5 5A	-----	-----	1	88122-MCA-000ZK	7795487
	HOUSING, L. *PB356M* (NOVA BLUE METALLIC).....	5 5A	-----	-----	1	88122-MCA-000ZM	7795495
	HOUSING, L. *Y130P* (PEARL HOT ROD YELLOW)	5 5A	-----	-----	1	88122-MCA-000ZN	7795503
	HOUSING, L. *NHA45M* (PORTLAND GRAY METALLIC)	5 5A	-----	-----	1	88122-MCA-000ZP	7795511
13	BOOT, L. BACK MIRROR	5 5A	-----	-----	1	88123-MCA-A00	7062078
14	SCREW, BRACKET (4X20)	5 5A	-----	-----	6	90141-MCA-000	7765894
15	SCREW (5X12)	5 5A	-----	-----	2	90142-MCA-000	7765902
16	SCREW-WASHER (5X20)	5 5A	-----	-----	6	93891-05020-08	0709261

REAR COMBINATION LIGHT



MCA4- F3200

MCA4F3200

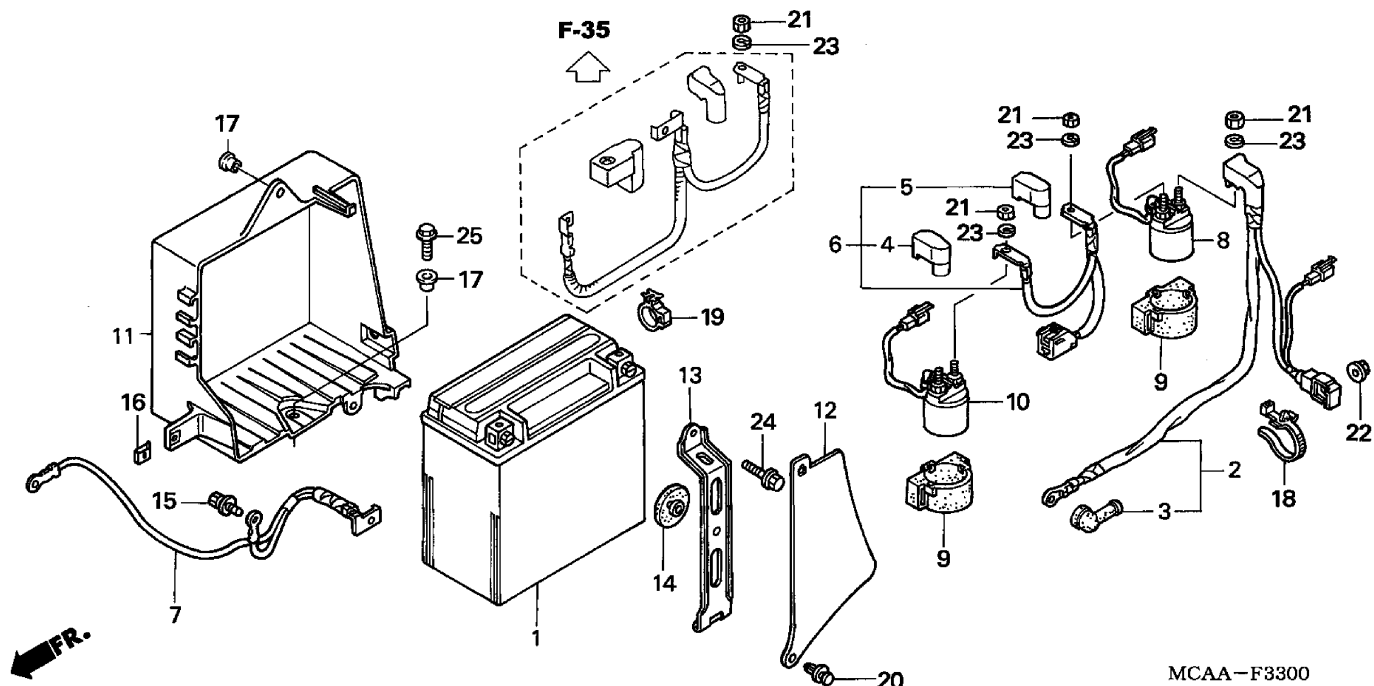
5 =GL1800'05
5A=GL1800A'05

F-32

Frame
Serial Number

Ref	Description	Model	From	To	QTY	Part Number	H/C
1	BULB (12V5W) (ECE) (STANLEY).....	5 5A	-----	-----	1	33301-SA0-741	3230877
2	HOUSING, R. COMBINATION LIGHT	5 5A	-----	-----	1	33510-MCA-671	6537419
3	HOUSING, L. COMBINATION LIGHT	5 5A	-----	-----	1	33560-MCA-671	6537427
4	HOUSING, R. TRUNK TAIL	5 5A	-----	-----	1	33710-MCA-671	6537443
5	SOCKET	5 5A	-----	-----	8	33720-GZ9-003	5363643
6	LIGHT ASSY., LICENSE	5 5A	-----	-----	1	33720-MCA-003	6537435
7	LENS, LICENSE LIGHT	5 5A	-----	-----	1	33726-MT2-004	3127941
8	BASE, LICENSE LIGHT	5 5A	-----	-----	1	33727-MCA-003	6537450
9	SOCKET, LICENSE LIGHT	5 5A	-----	-----	1	33728-MCA-000	6537468
10	GASKET, LICENSE LIGHT SEAL	5 5A	-----	-----	1	33729-MN5-003	2806263
11	HOUSING, L. TRUNK TAIL	5 5A	-----	-----	1	33760-MCA-671	6537476
12	BULB, WEDGE BASE (12V21/5W) (ECE) ..	5 5A	-----	-----	8	34906-MBB-611	5363650
13	NUT, FLANGE CAP (5MM)	5 5A	-----	-----	12	90167-SA0-980	1213099
14	SCREW, TAPPING (4X20).....	5 5A	-----	-----	2	93901-34520	0687749
15	NUT, FLANGE (5MM).....	5 5A	-----	-----	2	94050-05080	0612671

BATTERY



MCAA-F3300

MCAAF3300

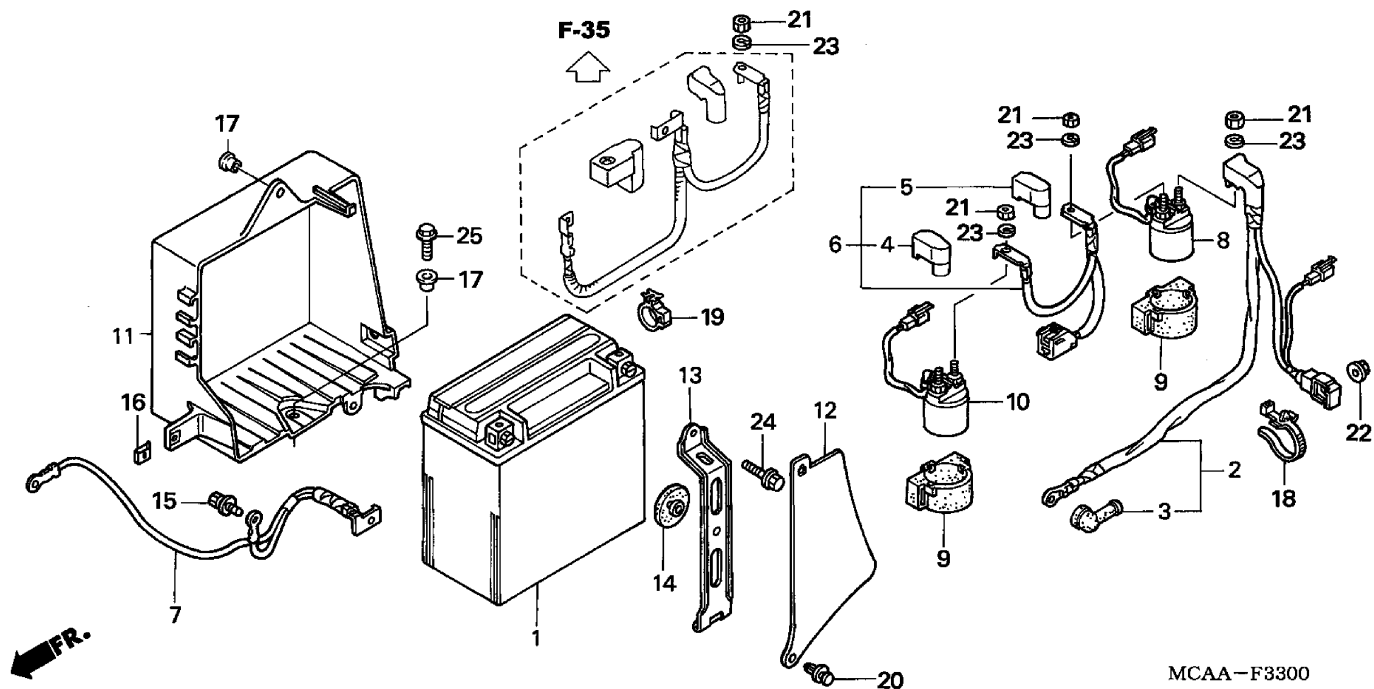
5 =GL1800'05
5A=GL1800A'05

F-33

Frame
Serial Number

Ref	Description	Model	From	To	QTY	Part Number	H/C
1	BATTERY (YTX20L-BS) (YUASA)	5 5A	-----	-----	1	31500-MCA-003	6636971
2	CABLE, STARTER MOTOR.....	5 5A	-----	-----	1	32410-MCA-010	7765316
3	COVER, STARTER MOTOR TERMINAL....	5 5A	-----	-----	1	32411-230-000	0208652
	COVER, STARTER MOTOR TERMINAL....	5 5A	-----	-----	1	32411-253-000	0177360
4	COVER A, MAGNETIC SWITCH (BLACK)	5 5A	-----	-----	1	32416-MCA-000	6638878
5	COVER D, MAGNETIC SWITCH (BLUE) ..	5 5A	-----	-----	1	32419-MCA-000	6538771
6	CABLE, STARTER MAGNETIC SWITCH ..	5 5A	-----	-----	1	32425-MCA-000	6538847
7	CABLE, BATTERY GROUND	5 5A	-----	-----	1	32601-MCA-000	6537658
8	SWITCH ASSY., STARTER MAGNETIC (B)	5 5A	-----	-----	1	35850-MCA-701	7083967
9	RUBBER, MAGNETIC SHOCK	5 5A	-----	-----	2	35856-425-000	0718155
10	SWITCH ASSY., STARTER MAGNETIC (A)	5 5A	-----	-----	1	35860-MCA-701	7083975
11	BOX, BATTERY	5 5A	-----	-----	1	80110-MCA-000	6565402
12	COVER, BATTERY CABLE	5 5A	-----	-----	1	80111-MCA-000	6620983
13	BAND, BATTERY	5 5A	-----	-----	1	80112-MCA-000	6620991
14	RUBBER, BATTERY BOX	5 5A	-----	-----	1	83618-323-000	0255810
15	BOLT (5X13)	5 5A	-----	-----	1	90114-SG0-003	3056793
16	NUT, CLIP (5MM).....	5 5A	-----	-----	1	90312-MT3-000	3487964
17	WASHER, FR. SIDE COVER.....	5 5A	-----	-----	2	90556-MB4-000	1425867

BATTERY



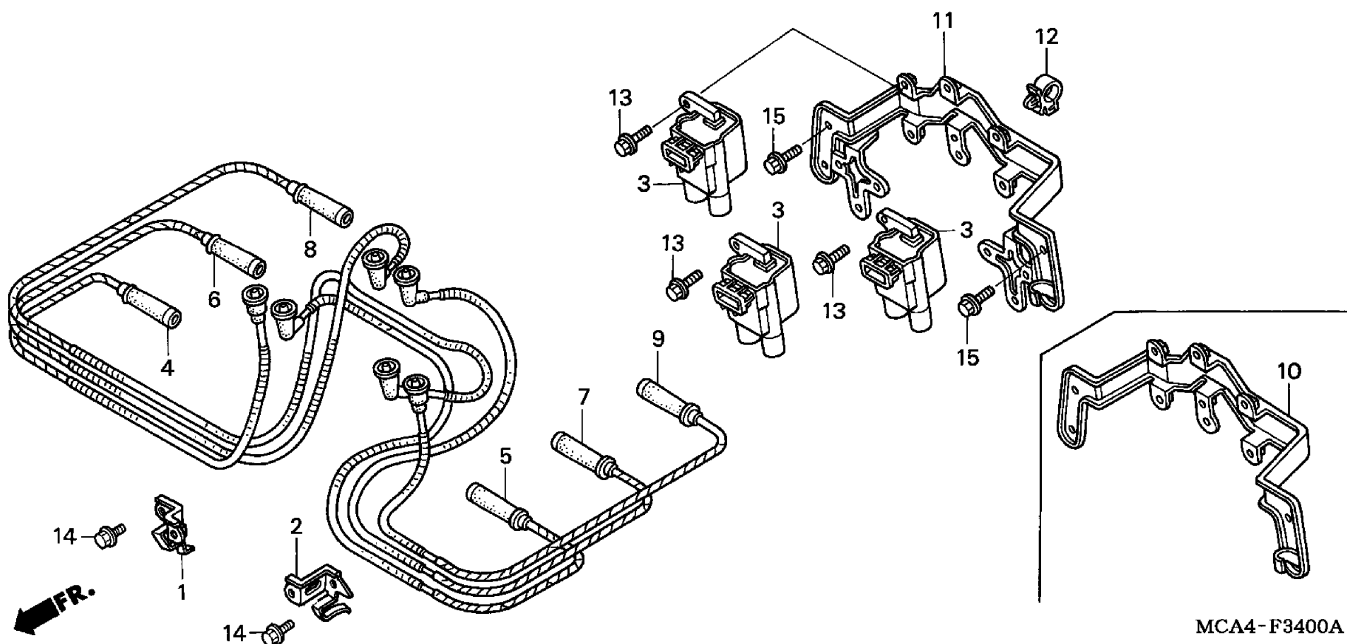
5 =GL1800'05
5A=GL1800A'05

F-33

Frame
Serial Number

Ref	Description	Model	From	To	QTY	Part Number	H/C
18	BAND, WIRE HARNESS (WHITE)	5 5A	-----	-----	1	90649-SC2-003	2514552
19	CLIP, CABLE (25MM).....	5 5A	-----	-----	1	90690-GHB-671	2847333
20	CLIP, PANEL FIXING *NH1* (BLACK).....	5 5A	-----	-----	1	91549-MW0-790ZA	4230462
21	NUT, HEX. (6MM).....	5 5A	-----	-----	4	94002-06080-0S	0712505
22	NUT, FLANGE (6MM).....	5 5A	-----	-----	1	94050-06080	0612689
23	WASHER, SPRING (6MM).....	5 5A	-----	-----	4	94111-06800	0258210
24	BOLT, FLANGE (6X16)	5 5A	-----	-----	1	96001-06016-00	2105955
25	BOLT, FLANGE (6X16)	5 5A	-----	-----	1	96001-06016-07	2532737

IGNITION COIL



MCA4-F3400A

MCA4F3400A

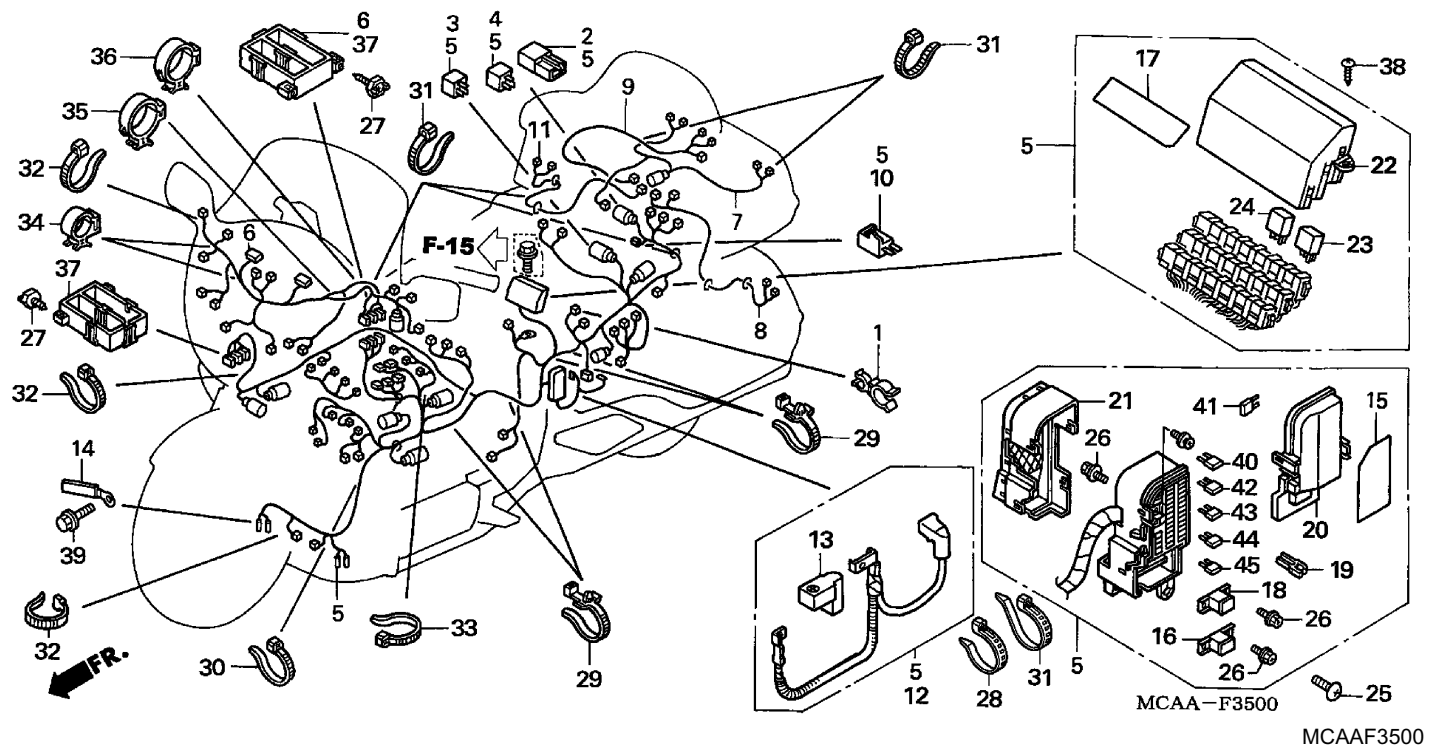
5 =GL1800'05
5A=GL1800A'05

F-34

Frame
Serial Number

Ref	Description	Model	From	To	QTY	Part Number	H/C
1	CLAMP, R. CABLE.....	5 5A	-----	-----	1	30511-MCA-000	6565006
2	CLAMP, L. CABLE.....	5 5A	-----	-----	1	30512-MCA-000	6539167
3	COIL, IGNITION.....	5 5A	-----	-----	3	30520-P7A-007	6390710
4	CAP, IGNITION (1).....	5 5A	-----	-----	1	30731-MCA-003	6619258
5	CAP, IGNITION (2).....	5 5A	-----	-----	1	30732-MCA-003	6619266
6	CAP, IGNITION (3).....	5 5A	-----	-----	1	30733-MCA-003	6619274
7	CAP, IGNITION (4).....	5 5A	-----	-----	1	30734-MCA-003	6619282
8	CAP, IGNITION (5).....	5 5A	-----	-----	1	30735-MCA-003	6619290
9	CAP, IGNITION (6).....	5 5A	-----	-----	1	30736-MCA-003	6619308
10	STAY, IGNITION COIL.....	5	-----	-----	1	50305-MCA-000	6539217
11	STAY, ABS MODULATOR.....	5A	-----	-----	1	50311-MCA-970	6539225
12	CLIP, RETURN HOSE.....	5 5A	-----	-----	1	53781-SE0-952	2733715
13	BOLT, FLANGE (6X16).....	5 5A	-----	-----	6	95701-06016-08	2105807
14	BOLT, FLANGE (6X10).....	5 5A	-----	-----	2	96001-06010-00	2154656
15	BOLT, FLANGE (6X16).....	5 5A	-----	-----	2	96001-06016-00	2105955

WIRE HARNESS



5 =GL1800'05
5A=GL1800A'05

F-35

Frame
Serial Number

Ref	Description	Model	From	To	QTY	Part Number	H/C
1	CLIP, BREATHER TUBE	5 5A	-----	-----	1	11338-KJ9-751	6617039
2	RECTIFIER, SILICON	5 5A	-----	-----	1	31700-MM8-610	3000270
3	RECTIFIER.....	5 5A	-----	-----	2	31700-196-000	3356698
4	DIODE ASSY.....	5 5A	-----	-----	1	31700-750-801	2052207
5	WIRE HARNESS	5	-----	-----	1	32100-MCA-A21	7765183
	WIRE HARNESS	5A	-----	-----	1	32100-MCA-A31	7765191
6	SUB-HARNESS, FAIRING	5 5A	-----	-----	1	32105-MCA-A10	7061914
7	SUB-HARNESS, TAIL & TRUNK	5 5A	-----	-----	1	32120-MCA-670	6537567
8	SUB-HARNESS, L. SADDLEBAG	5 5A	-----	-----	1	32130-MCA-670	6537575
9	SUB-HARNESS, TRUNK UNIT	5 5A	-----	-----	1	32140-MCA-670	6537583
10	DIODE ASSY., CONNECTOR (2P)	5 5A	-----	-----	1	32146-SH3-003	2928067
11	SUB-HARNESS, R. SADDLEBAG.....	5 5A	-----	-----	1	32180-MCA-670	6537591
12	CABLE, STARTER BATTERY	5 5A	-----	-----	1	32401-MCA-010	7765308
13	COVER, BATTERY TERMINAL	5 5A	-----	-----	1	32412-MCA-000	6537625
14	CLIP, SUB-WIRE	5 5A	-----	-----	1	32901-MA1-000	1054113
15	LABEL, FUSE BOX	5	-----	-----	1	38215-MCA-671	6537666
	LABEL, FUSE BOX	5A	-----	-----	1	38215-MCA-971	6537682
16	FUSE, BLOCK (70A)	5 5A	-----	-----	1	38215-SX8-003	6235915

WIRE HARNESS

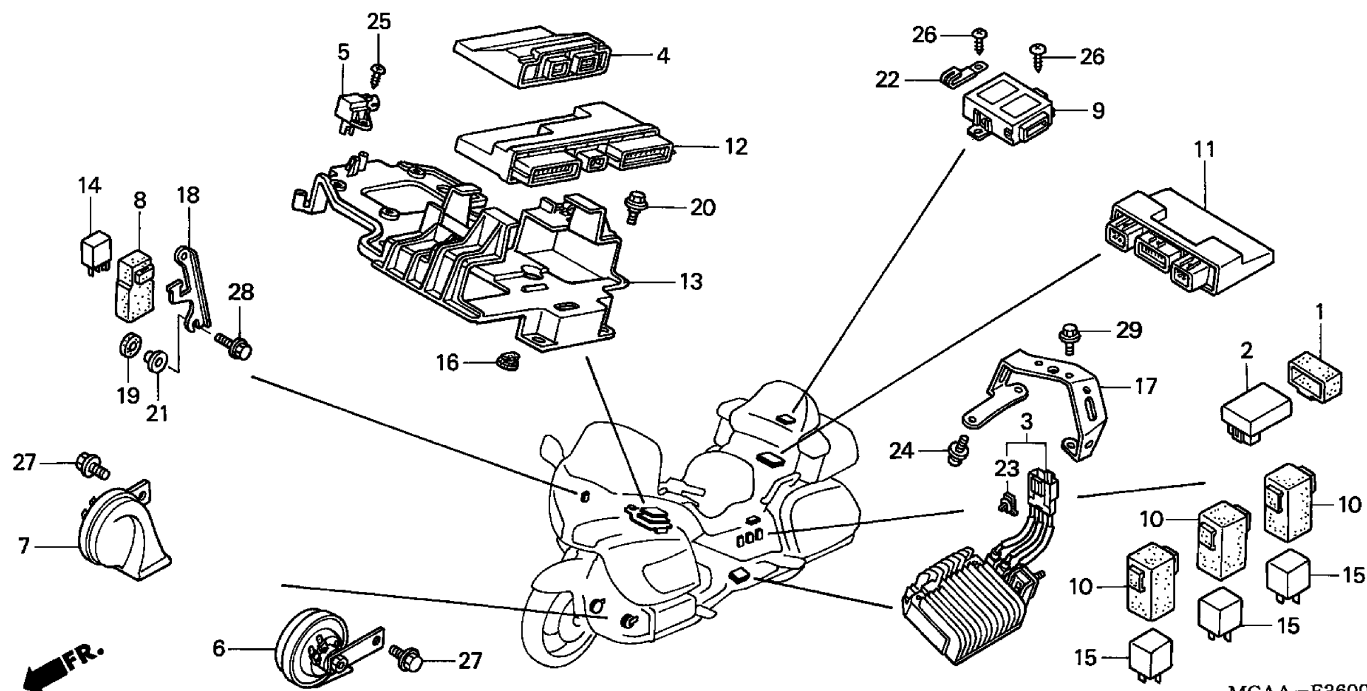
5 =GL1800'05
5A=GL1800A'05

F-35

Frame
Serial Number

Ref	Description	Model	From	To	QTY	Part Number	H/C
17	LABEL, RELAY BOX	5 5A	-----	-----	1	38216-MCA-671	6537690
18	FUSE, BLOCK (100A)	5 5A	-----	-----	1	38218-SM4-003	3830064
19	PULLER, MINI FUSE	5 5A	-----	-----	1	38235-S04-003	4777629
20	COVER (UPPER).....	5 5A	-----	-----	1	38252-MCA-003	6537716
21	COVER (LOWER)	5 5A	-----	-----	1	38256-MCA-003	6537724
22	COVER (UPPER).....	5 5A	-----	-----	1	38282-MCA-003	6537732
23	RELAY ASSY., POWER (MICRO ISO 4P)..	5 5A	-----	-----	14	39794-MCA-000	6537773
24	RELAY, POWER (MICRO ISO 5P)	5 5A	-----	-----	6	39795-MCA-000	6537229
25	SCREW, SPECIAL (5X12)	5 5A	-----	-----	1	90114-KFK-000	6621692
26	BOLT (5X13)	5 5A	-----	-----	7	90114-SG0-003	3056793
27	CLIP (TREE).....	5 5A	-----	-----	4	90138-MCA-003	6621916
28	BAND, WIRE HARNESS	5 5A	-----	-----	1	90620-SB2-003	2030492
29	BAND, WIRE HARNESS (WHITE).....	5 5A	-----	-----	4	90649-SC2-003	2514552
30	BAND, WIRE	5 5A	-----	-----	1	90650-KV6-003	2687788
31	BAND, WIRE	5 5A	-----	-----	6	90651-KV6-003	2576296
32	BAND, WIRE	5 5A	-----	-----	3	90652-KT1-771	2710416
33	BAND, SUCTION HOSE	5 5A	-----	-----	1	90679-SG9-E01	3522752
34	CLIP, CABLE (15MM).....	5 5A	-----	-----	2	90690-GHB-651	2847317
35	CLIP, CABLE (25MM).....	5 5A	-----	-----	1	90690-GHB-671	2847333
36	CLIP, CABLE (30MM).....	5 5A	-----	-----	1	90690-GHB-681	3699162
37	HOLDER, CONNECTOR	5 5A	-----	-----	2	91571-MCA-P00	6812655
38	SCREW, TAPPING (5X16).....	5 5A	-----	-----	2	93903-25380	1172139
39	BOLT, FLANGE (6X12)	5 5A	-----	-----	1	96001-06012-00	2105930
40	FUSE, BLADE (5A) (MINI)	5	-----	-----	4	98200-40500	5026521
		5A	-----	-----	5	98200-40500	5026521
41	FUSE F (7.5A) (MINI)	5 5A	-----	-----	1	98200-40750	4853412
42	FUSE F (10A) (MINI)	5 5A	-----	-----	3	98200-41000	4853420
43	FUSE F (15A) (MINI)	5 5A	-----	-----	8	98200-41500	4853438
44	FUSE F (20A) (MINI)	5 5A	-----	-----	3	98200-42000	4853446
45	FUSE, BLADE (30A).....	5	-----	-----	1	98200-43000	5359666
		5A	-----	-----	3	98200-43000	5359666

CONTROL UNIT



5 =GL1800'05
5A=GL1800A'05

F-36

Frame
Serial Number

Ref	Description	Model	From	To	QTY	Part Number	H/C
1	CUSHION, REVERSE REGULATOR.....	5 5A	-----	-----	1	30401-MCA-000	6538748
2	REGULATOR, REVERSE	5 5A	-----	-----	1	31710-MCA-003	6636989
3	RESISTOR ASSY., REVERSE.....	5 5A	-----	-----	1	36280-MCA-003	6619621
4	CONTROLLER, AUTO CRUISE.....	5 5A	-----	-----	1	36700-MCA-003	6637045
5	SENSOR ASSY., MAP	5 5A	-----	-----	1	37830-MAT-E01	6113518
6	HORN ASSY. (HIGH)	5 5A	-----	-----	1	38110-MCA-003	6619720
7	HORN ASSY. (LOW)	5 5A	-----	-----	1	38120-MCA-003	6619738
8	SUSPENSION, POWER RELAY	5 5A	-----	-----	1	38306-MCA-000	6537195
9	CONTROL UNIT, TRUNK LOCK & OPEN..	5 5A	-----	-----	1	38380-MCA-306	7805336
10	SUSPENSION, RELAY (MINI ISO)	5 5A	-----	-----	3	38506-MCA-000	6537211
11	ABS CONTROL UNIT.....	5A	-----	-----	1	38600-MCA-971	6619787
12	PGM-FI UNIT	5 5A	-----	-----	1	38770-MCA-A41	7794142
13	STAY, PGM-FI UNIT	5 5A	-----	-----	1	38771-MCA-000	6538839
14	RELAY, POWER (MICRO ISO 5P)	5 5A	-----	-----	1	39795-MCA-000	6537229
15	RELAY, POWER (MINI ISO 4P).....	5 5A	-----	-----	3	39796-MCA-000	6537237
16	PLUG	5 5A	-----	-----	3	50318-041-600	0210278
17	STAY, REVERSE RESISTOR	5 5A	-----	-----	1	50331-MCA-000	6539274
18	PLATE, STAY (UPPER).....	5 5A	-----	-----	1	64513-MCA-000	6620850

CONTROL UNIT

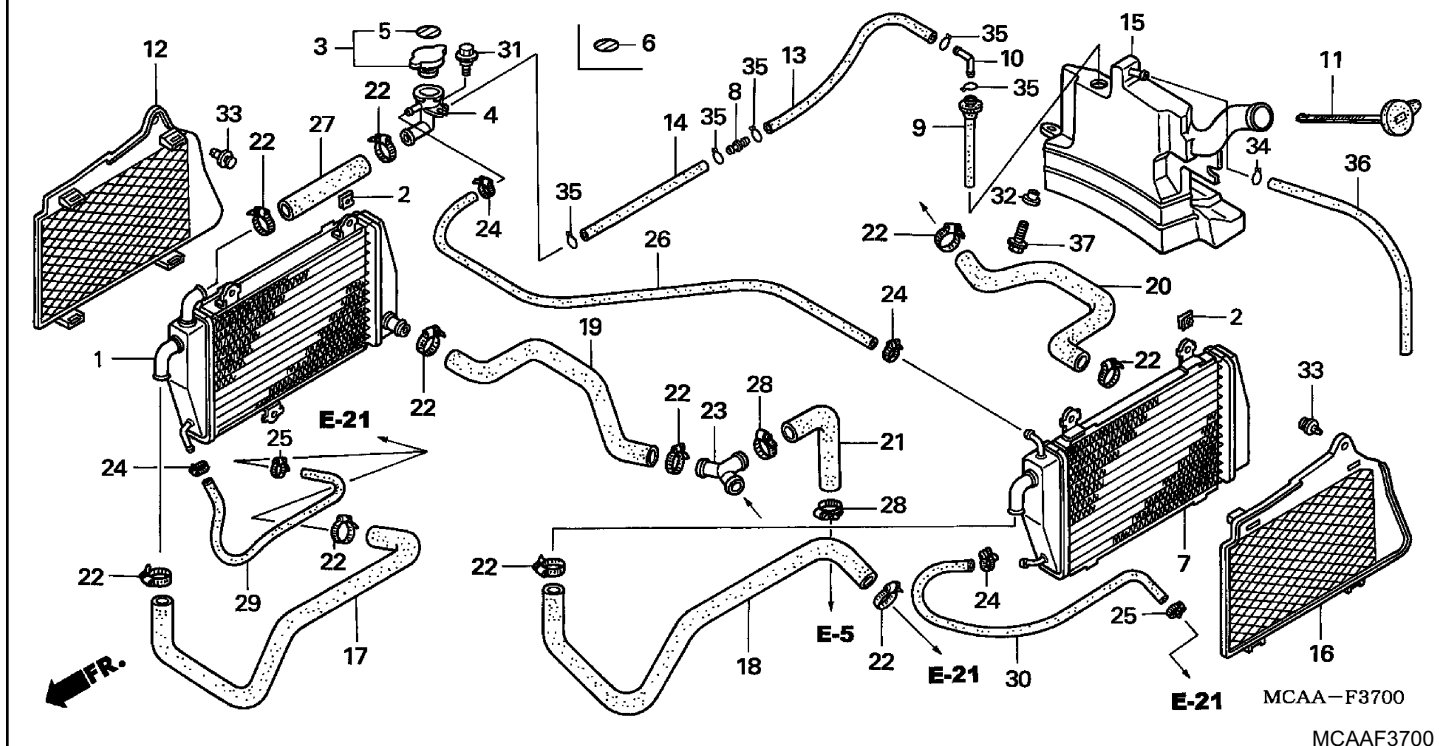
5 =GL1800'05
5A=GL1800A'05

F-36

Frame
Serial Number

Ref	Description	Model	From	To	QTY	Part Number	H/C
19	RUBBER, SEAT HINGE	5 5A	-----	-----	1	77218-GB2-720	4485165
20	BOLT, FR. FENDER SETTING	5 5A	-----	-----	4	90106-MM9-000	2902047
21	WASHER (6X20)	5 5A	-----	-----	1	90512-MBY-000	6092266
22	CLIP	5 5A	-----	-----	1	91411-679-000	0813543
23	CLIP, CONNECTOR (BROWN)	5 5A	-----	-----	1	91556-SP0-003	3677382
24	SCREW-WASHER (5X8)	5 5A	-----	-----	3	93892-05008-08	0791335
25	SCREW, TAPPING (4X12).....	5 5A	-----	-----	1	93903-24380	0562090
26	SCREW, TAPPING (5X12).....	5 5A	-----	-----	2	93903-25280	0563981
27	BOLT, FLANGE (8X10)	5 5A	-----	-----	2	95701-08010-08	3391638
28	BOLT, FLANGE (6X16)	5 5A	-----	-----	1	96001-06016-00	2105955
29	BOLT, FLANGE (6X16)	5 5A	-----	-----	2	96001-06016-07	2532737

RADIATOR



5 =GL1800'05
5A=GL1800A'05

F-37

Frame
Serial Number

Ref	Description	Model	From	To	QTY	Part Number	H/C
1	RADIATOR, R.	5 5A			1	19010-MCA-003	6538169
2	NUT, SET	5 5A			6	19014-KEA-003	5213525
3	CAP, RADIATOR	5 5A			1	19037-GEE-710	6976112
4	NECK, FILLER	5 5A			1	19039-KM1-004	1930742
5	LABEL, RADIATOR CAP (DENSO)	5 5A			1	19046-PAA-A00	5434295
7	RADIATOR, L.	5 5A			1	19060-MCA-003	6538326
8	JOINT, TUBE	5 5A			1	19102-KT8-000	2541068
9	TUBE, LEVEL	5 5A			1	19102-ML7-701	7468770
10	JOINT, TUBE	5 5A			1	19103-MB9-000	1094564
11	CAP ASSY., RESERVE TANK	5 5A			1	19104-MCA-000	6618235
12	GRILLE, R. RADIATOR	5 5A			1	19105-MCA-000	6543235
13	TUBE A, RESERVE	5 5A			1	19106-MCA-000	6717516
14	TUBE B, RESERVE	5 5A			1	19107-MCA-000	6717524
15	TANK ASSY., RESERVE	5 5A			1	19110-MCA-000	6588743
16	GRILLE, L. RADIATOR	5 5A			1	19205-MCA-000	6543243
17	HOSE, R. FR. RADIATOR	5 5A			1	19501-MCA-000	6538375
18	HOSE, L. FR. RADIATOR	5 5A			1	19502-MCA-000	6538383
19	HOSE, R. RR. RADIATOR	5 5A			1	19503-MCA-000	6538391

RADIATOR

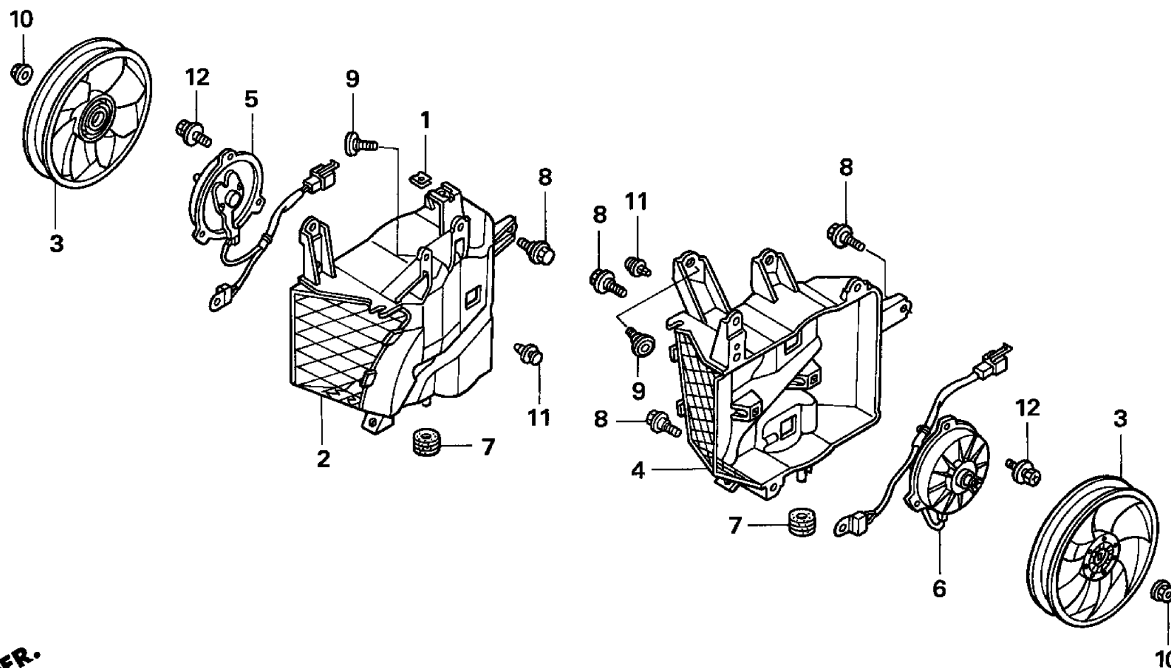
5 =GL1800'05
5A=GL1800A'05

F-37

Frame
Serial Number

Ref	Description	Model	From	To	QTY	Part Number	H/C
20	HOSE, L. RR. RADIATOR	5 5A	-----	-----	1	19504-MCA-000	6538409
21	HOSE, RR. RADIATOR	5 5A	-----	-----	1	19505-MCA-000	6538417
22	CLAMP, WATER HOSE	5 5A	-----	-----	10	19505-ML3-770	2478337
23	JOINT, THREE-WAY	5 5A	-----	-----	1	19506-MCA-000	6538821
24	CLAMP, WATER HOSE	5 5A	-----	-----	4	19507-MAL-600	4637914
25	CLAMP, RADIATOR HOSE	5 5A	-----	-----	2	19507-MAT-000	5319520
26	HOSE, BREATHER	5 5A	-----	-----	1	19508-MCA-000	6538342
27	HOSE, CAP JOINT.....	5 5A	-----	-----	1	19509-MCA-000	6538433
28	CLAMP, R. RADIATOR HOSE.....	5 5A	-----	-----	2	19509-MM5-003	2567956
29	HOSE, R. DRAIN	5 5A	-----	-----	1	19520-MCA-000	6538714
30	HOSE, L. DRAIN	5 5A	-----	-----	1	19525-MCA-000	6538722
31	BOLT, FLANGE (6MM).....	5 5A	-----	-----	1	90111-187-000	1032069
32	WASHER, CHAIN CASE SETTING	5 5A	-----	-----	1	90522-028-000	0243345
33	CLIP, PANEL FIXING *NH1* (BLACK).....	5 5A	-----	-----	2	91549-MW0-790ZA	4230462
34	CLIP, TUBE (B10)	5 5A	-----	-----	1	95002-02100	0250985
35	CLIP, TUBE (B12)	5 5A	-----	-----	5	95002-02120	0335034
36	BULK HOSE, VACUUM (5.5X8000) (5.3X320)	5 5A	-----	-----	1	95005-55008-10M	2386886
37	BOLT, FLANGE (6X16)	5 5A	-----	-----	1	95701-06016-00	2410892

COOLING FAN



MCAA-F3800

MCAAF3800

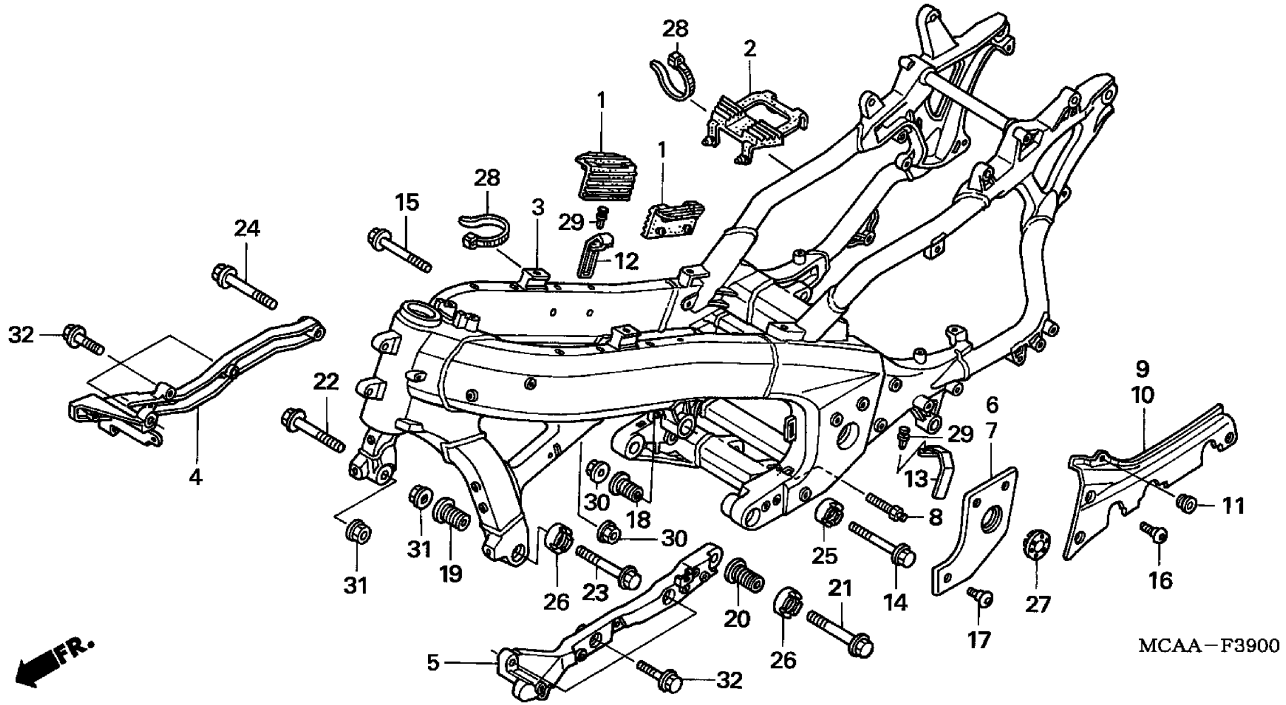
5 =GL1800'05
5A=GL1800A'05

F-38

Frame
Serial Number

Ref	Description	Model	From	To	QTY	Part Number	H/C
1	NUT, SET	5 5A	-----	-----	1	19014-KEA-003	5213525
2	AIR GUIDE, R. RADIATOR	5 5A	-----	-----	1	19015-MCA-A20	7527732
3	FAN, COOLING	5 5A	-----	-----	2	19020-MCF-013	7375710
4	AIR GUIDE, L. RADIATOR.....	5 5A	-----	-----	1	19025-MCA-A20	7527740
5	MOTOR ASSY., R. FAN.....	5 5A	-----	-----	1	19030-MCA-003	6636898
6	MOTOR ASSY., L. FAN	5 5A	-----	-----	1	19032-MCA-003	6636906
7	RUBBER, RADIATOR SETTING	5 5A	-----	-----	2	19051-KA4-000	1042266
8	BOLT, FLANGE (6MM).....	5 5A	-----	-----	6	90111-187-000	1032069
9	BOLT, TOOL BOX (6X20)	5 5A	-----	-----	4	90119-KV3-680	5371596
10	NUT, SERRATE (5MM)	5 5A	-----	-----	2	90315-MK3-003	2045912
11	CLIP, PANEL FIXING *NH1* (BLACK).....	5 5A	-----	-----	2	91549-MW0-790ZA	4230462
12	BOLT-WASHER (6X12)	5 5A	-----	-----	6	93401-06012-08	2646610

FRAME



MCAA-F3900

MCAA3900

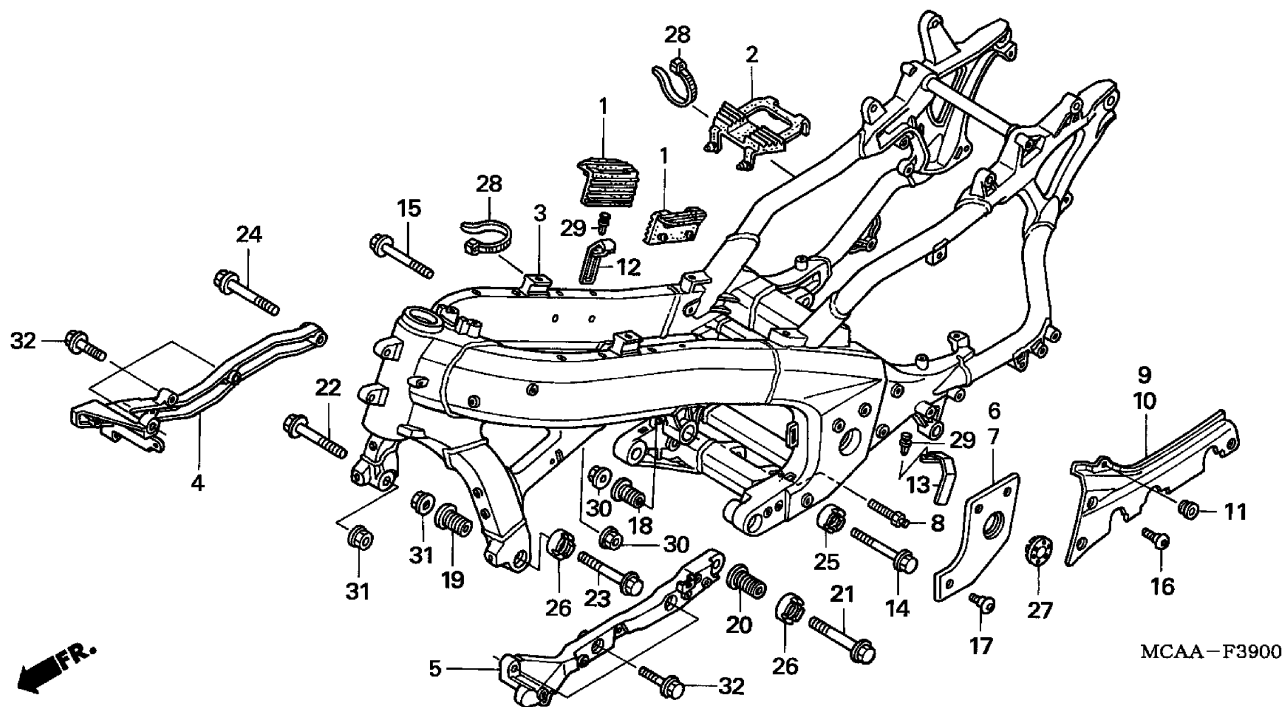
5 =GL1800'05
5A=GL1800A'05

F-39

Frame
Serial Number

Ref	Description	Model	From	To	QTY	Part Number	H/C
1	CUSHION, FR. FUEL TANK.....	5 5A	-----	-----	2	17611-MCA-000	6537997
2	CUSHION, FUEL TANK CENTER	5 5A	-----	-----	1	17614-MCA-000	6538003
3	FRAME *NH456M* (IO SILVER METALLIC)	5 5A	-----	-----	1	50100-MCA-020ZA	7769763
4	BEAM, R. ENGINE SUPPORT.....	5 5A	-----	-----	1	50351-MCA-000	6539092
5	BEAM, L. ENGINE SUPPORT	5 5A	-----	-----	1	50352-MCA-000	6539126
6	COVER, R. PIVOT PLATE *NH248R* (GRAY).....	5 5A	-----	-----	1	50410-MCA-000ZA	6645188
7	COVER, L. PIVOT PLATE *NH248R* (GRAY).....	5 5A	-----	-----	1	50415-MCA-000ZA	6645196
8	HOOK, MAIN STAND SPRING	5 5A	-----	-----	1	50538-MCA-000	6620298
9	COVER, R. PILLION STEP HOLDER *NH454M* (ECLIPSE SILVER METALLIC).....	5 5A	-----	-----	1	50740-MCA-000ZA	6539837
10	COVER, L. PILLION STEP HOLDER *NH454M* (ECLIPSE SILVER METALLIC).....	5 5A	-----	-----	1	50741-MCA-000ZA	6539845
11	GROMMET, SIDE COVER.....	5 5A	-----	-----	2	83501-MG7-000	2015360
12	COVER, WELD BEAD *NH466M* (R/L) (PRESTO SILVER METALLIC)	5 5A	-----	-----	1	83613-MCA-000ZB	6646335

FRAME



MCAA-F3900

MCAA3900

5 =GL1800'05
5A=GL1800A'05

F-39

Frame
Serial Number

Ref	Description	Model	From	To	QTY	Part Number	H/C
13	COVER, WELD BEAD *NH466M* (R/L) (PRESTO SILVER METALLIC)	5 5A	-----	-----	1	83713-MCA-000ZB	6646343
14	BOLT, FLANGE (10X85)	5 5A	-----	-----	1	90101-KK6-000	4235172
15	BOLT, FLANGE (10X62)	5 5A	-----	-----	1	90101-MBB-000	5365226
16	SCREW, SPECIAL (5X12)	5 5A	-----	-----	6	90106-MBY-000	6092043
17	SCREW, PAN (5X13)	5 5A	-----	-----	6	90112-MBS-000	6621668
18	BOLT, ADJUSTING (M20-43.5)	5 5A	-----	-----	1	90116-MCA-000	6621718
19	BOLT, ADJUSTING (M22-47)	5 5A	-----	-----	1	90117-MCA-000	6621726
20	BOLT, ADJUSTING (M22-40)	5 5A	-----	-----	1	90126-MCA-000	6621791
21	BOLT, FLANGE (12X92)	5 5A	-----	-----	1	90127-MCA-000	6621809
22	BOLT, FLANGE (12X72)	5 5A	-----	-----	1	90128-MCA-000	6621817
23	BOLT, FLANGE (12X92)	5 5A	-----	-----	1	90129-MCA-000	6621825
24	BOLT, FLANGE (12X84)	5 5A	-----	-----	1	90166-SZ3-000	4977625
25	NUT, LOCK (20MM)	5 5A	-----	-----	1	90201-MW0-000	4046629
26	NUT, LOCK	5 5A	-----	-----	2	90310-MCA-000	6621973
27	CAP, PIVOT	5 5A	-----	-----	2	90312-MCA-000	6621981
28	BAND, WIRE	5 5A	-----	-----	2	90651-KV6-003	2576296
29	CLIP, PANEL FIXING	5 5A	-----	-----	2	90671-MCA-000	6622237

FRAME

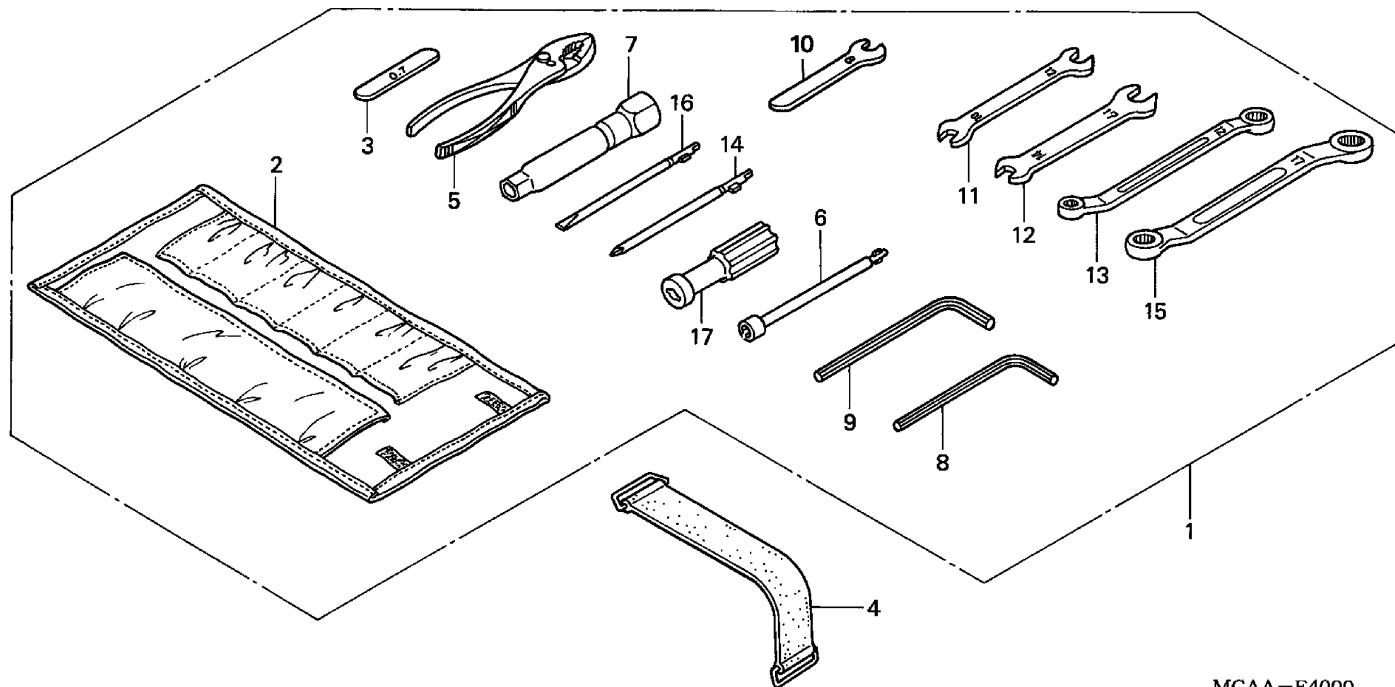
5 =GL1800'05
5A=GL1800A'05

F-39

Frame
Serial Number

Ref	Description	Model	From	To	QTY	Part Number	H/C
30	NUT, FLANGE (10MM).....	5 5A	-----	-----	2	94050-10000	0483867
31	NUT, FLANGE (12MM).....	5 5A	-----	-----	2	94050-12000	0671123
32	BOLT, FLANGE (10X40)	5 5A	-----	-----	6	96300-10040-00	4046926

TOOLS



MCAA-F4000
MCAAF4000

5 =GL1800'05
5A=GL1800A'05

F-40

Frame
Serial Number

Ref	Description	Model	From	To	QTY	Part Number	H/C
1	TOOL SET	5 5A	-----	-----	1	89010-MCA-780	6761654
2	BAG, TOOL	5 5A	-----	-----	1	89101-ME5-670	1669480
	BAG, TOOL	5 5A	-----	-----	1	89101-300-010	0192369
	BAG, TOOL (200MM).....	5 5A	-----	-----	1	99008-02000	0268185
3	GAUGE, FEELER (0.7)	5 5A	-----	-----	1	89103-371-000	0443663
4	BAND, TOOL SETTING	5 5A	-----	-----	1	89105-MCA-000	6621502
5	PLIERS (150)	5 5A	-----	-----	1	89210-MN5-000	2810448
6	WRENCH, BOX (8MM).....	5 5A	-----	-----	1	89211-MR7-000	3452711
7	WRENCH, PLUG (16)	5 5A	-----	-----	1	89216-MCA-000	6597850
8	WRENCH, HEX. (5MM)	5 5A	-----	-----	1	89221-MJ4-000	2072486
9	WRENCH, HEX. (6MM)	5 5A	-----	-----	1	89221-422-000	0694174
10	SPANNER (8MM).....	5 5A	-----	-----	1	89224-KW9-000	4485397
11	WRENCH (10X12) (OPEN END)	5 5A	-----	-----	1	89225-MN5-000	2810489
12	SPANNER (14X17).....	5 5A	-----	-----	1	89226-MN5-000	2810497
13	WRENCH, EYE (10X12).....	5 5A	-----	-----	1	89227-MN5-000	2810505
14	SCREWDRIVER 2, PHILLIPS	5 5A	-----	-----	1	89227-422-000	0694224
15	WRENCH, EYE (14X17).....	5 5A	-----	-----	1	89228-MN5-000	2810513
16	SCREWDRIVER 2, STRAIGHT SLOT	5 5A	-----	-----	1	89229-422-000	0694240

TOOLS

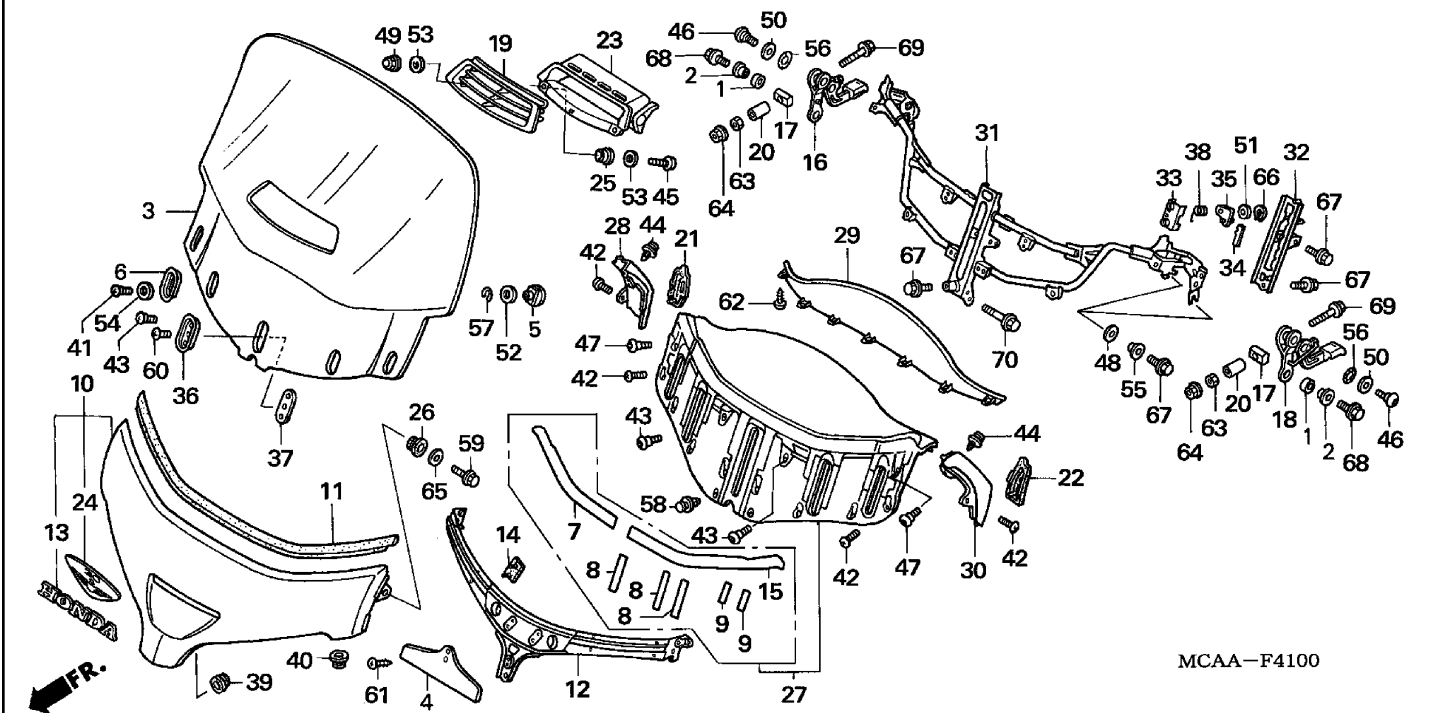
5 =GL1800'05
5A=GL1800A'05

F-40

Frame
Serial Number

Ref	Description	Model	From	To	QTY	Part Number	H/C
17	GRIP	5 5A	-----	-----	1	99003-50000	0052464

WINDSCREEN



MCAA-F4100

MCAA4100

5 =GL1800'05
5A=GL1800A'05

F-41

Frame
Serial Number

Ref	Description	Model	From	To	QTY	Part Number	H/C
1	COLLAR, STEP RUBBER SETTING	5 5A	-----	-----	2	50605-GZ4-670	3499985
2	COLLAR, FR. FENDER	5 5A	-----	-----	2	61105-KM7-910	2022523
3	WINDSCREEN	5 5A	-----	-----	1	64100-MCA-A20	7528201
4	COVER, GARNISH.....	5 5A	-----	-----	1	64113-MCA-000	6538888
5	NUT, WINDSCREEN SETTING	5 5A	-----	-----	2	64114-MCA-000	6620611
6	PLATE, WINDSCREEN SETTING	5 5A	-----	-----	2	64116-MM5-000	2808913
7	TAPE A, R. SLIDE	5 5A	-----	-----	1	64117-MCA-300	6620629
8	TAPE B, SLIDE.....	5 5A	-----	-----	6	64118-MCA-300	6620637
9	TAPE C, SLIDE	5 5A	-----	-----	4	64119-MCA-300	6620645
10	GARNISH SET, SCREEN (TYPE1) (WL)....	5 5A	-----	-----	1	64120-MCA-A40ZG	7794266
	GARNISH SET, SCREEN (TYPE2) (WL)....	5 5A	-----	-----	1	64120-MCA-A40ZH	7794274
	GARNISH SET, SCREEN (TYPE3) (WL)....	5 5A	-----	-----	1	64120-MCA-A40ZJ	7794282
	GARNISH SET, SCREEN (TYPE4) (WL)....	5 5A	-----	-----	1	64120-MCA-A40ZK	7794290
	GARNISH SET, SCREEN (TYPE6) (WL)....	5 5A	-----	-----	1	64120-MCA-A40ZM	7794308
	GARNISH SET, SCREEN (TYPE5) (WL)....	5 5A	-----	-----	1	64120-MCA-A40ZN	7794316
11	SEAL, WINDSCREEN	5 5A	-----	-----	1	64121-MCA-000	6620652
12	HOLDER, WINDSCREEN	5 5A	-----	-----	1	64122-MCA-000	6535900
13	EMBLEM, FR. (HONDA)	5 5A	-----	-----	1	64125-MCA-A40	7840119

WINDSCREEN

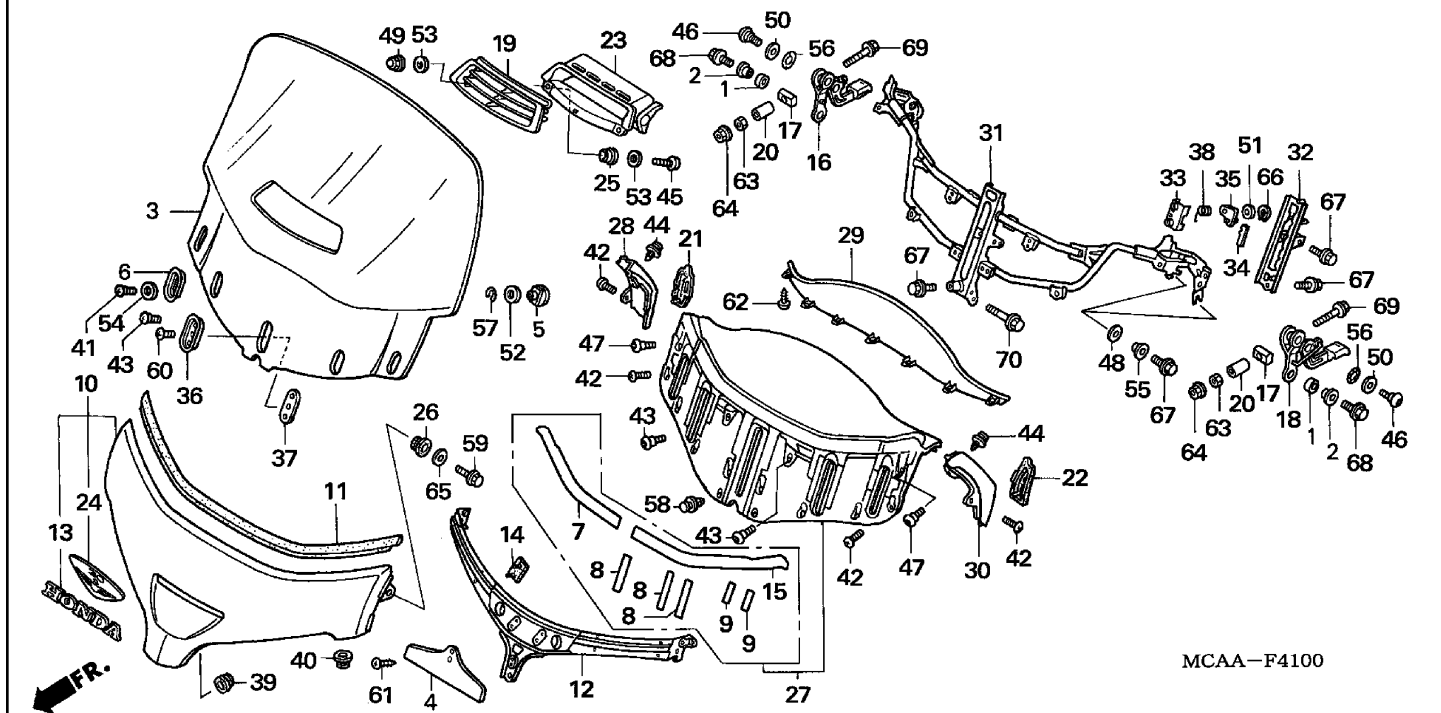
5 =GL1800'05
5A=GL1800A'05

F-41

Frame
Serial Number

Ref	Description	Model	From	To	QTY	Part Number	H/C
14	RUBBER, SCREEN HOLDER	5 5A	-----	-----	6	64127-MCA-000	6540397
15	TAPE A, L. SLIDE.....	5 5A	-----	-----	1	64128-MCA-300	6620686
16	LINK, R. ADJUST	5 5A	-----	-----	1	64133-MCA-000	6620694
17	BRACKET, TENSION.....	5 5A	-----	-----	2	64137-MCA-000	6620702
18	LINK, L. ADJUSTING	5 5A	-----	-----	1	64143-MCA-000	6620710
19	GRILLE, CENTER FRESH AIR	5 5A	-----	-----	1	64150-MCA-A20	7528219
20	COLLAR, ADJUSTING LEVER	5 5A	-----	-----	2	64152-MCA-000	6620728
21	RUBBER, R. ADJUSTING LEVER.....	5 5A	-----	-----	1	64153-MCA-000	6620736
22	RUBBER, L. ADJUSTING LEVER	5 5A	-----	-----	1	64163-MCA-000	6620744
23	VISOR ASSY., FRESH AIR	5 5A	-----	-----	1	64170-MCA-A20	7528227
24	EMBLEM, FR. GARNISH (TYPE1).....	5 5A	-----	-----	1	64180-MCA-A40ZA	7840127
	EMBLEM, FR. GARNISH (TYPE2).....	5 5A	-----	-----	1	64180-MCA-A40ZB	7840135
	EMBLEM, FR. GARNISH (TYPE3).....	5 5A	-----	-----	1	64180-MCA-A40ZC	7840143
	EMBLEM, FR. GARNISH (TYPE4).....	5 5A	-----	-----	1	64180-MCA-A40ZD	7840150
	EMBLEM, FR. GARNISH (TYPE5).....	5 5A	-----	-----	1	64180-MCA-A40ZE	7840168
	EMBLEM, FR. GARNISH (TYPE6).....	5 5A	-----	-----	1	64180-MCA-A40ZF	7840176
25	GROMMET	5 5A	-----	-----	2	64205-MCA-A20	7528235
26	RUBBER, FAIRING SETTING	5 5A	-----	-----	2	64246-MJ4-670	2072007
27	VISOR A, METER PANEL *NH105* (MAT BLACK).....	5 5A	-----	-----	1	64255-MCA-000ZA	6542856
28	VISOR C, R. METER PANEL *NH105 * (MAT BLACK).....	5 5A	-----	-----	1	64256-MCA-000ZA	6565303
29	VISOR B, METER PANEL	5 5A	-----	-----	1	64265-MCA-000	6628911
30	VISOR C, L. METER PANEL *NH105 * (MAT BLACK).....	5 5A	-----	-----	1	64266-MCA-000ZA	6542864
31	STAY B, COWL (UPPER)	5 5A	-----	-----	1	64511-MCA-000	6542542
32	HOLDER, ADJUSTER	5 5A	-----	-----	1	64541-MCA-000	6539118
33	BODY, ADJUSTER.....	5 5A	-----	-----	1	64542-MCA-000	6620900
34	CAM B, ADJUSTER	5 5A	-----	-----	1	64543-MCA-000	6620918
35	CAM A, ADJUSTER	5 5A	-----	-----	1	64544-MCA-000	6620926
36	HOLDER A, SCREEN	5 5A	-----	-----	1	64547-MCA-000	6539720
37	HOLDER B, SCREEN	5 5A	-----	-----	1	64548-MCA-000	6620934
38	SPRING, HOLDER.....	5 5A	-----	-----	1	64549-MCA-000	6620942
39	GROMMET, AIR CLEANER HOUSING	5 5A	-----	-----	2	83551-GE2-000	1406164
40	GROMMET, SIDE COVER.....	5 5A	-----	-----	2	83601-MN5-000	2810133

WINDSCREEN



MCAA-F4100

MCAA4100

5 =GL1800'05
5A=GL1800A'05

F-41

Frame
Serial Number

Ref	Description	Model	From	To	QTY	Part Number	H/C
41	SCREW, SPLASH GUARD	5 5A	-----	-----	2	90103-HC4-770	2978427
42	SCREW, PAN (5X12)	5 5A	-----	-----	6	90104-964-000	1423714
43	SCREW, PAN (6X11)	5 5A	-----	-----	8	90106-KY2-701	3134053
44	CLIP, BUMPER SEAL	5 5A	-----	-----	2	90116-SP0-003	3674520
45	BOLT, SPECIAL (5X16)	5 5A	-----	-----	2	90118-MBB-000	5365333
46	SCREW, PAN (6X11)	5 5A	-----	-----	2	90118-MCA-000	6621734
47	SCREW, PAN (6X14)	5 5A	-----	-----	2	90138-MCA-000	6621908
48	WASHER, BUMPER BOLT	5 5A	-----	-----	4	90148-SAO-000	2256816
49	NUT, FLANGE CAP (5MM)	5 5A	-----	-----	2	90167-SAO-980	1213099
50	WASHER, WAVE (10MM)	5 5A	-----	-----	2	90435-422-000	0691055
51	WASHER (10.1MM)	5 5A	-----	-----	1	90443-ZG3-000	3620846
52	WASHER	5 5A	-----	-----	2	90476-703-000	6291157
53	WASHER, THRUST (5MM)	5 5A	-----	-----	4	90504-964-000	4057360
54	WASHER, NYLON (8MM)	5 5A	-----	-----	2	90507-921-000	0285130
55	WASHER (6X20)	5 5A	-----	-----	4	90512-300-000	0191494
56	WASHER, THRUST (8.6X13X0.6)	5 5A	-----	-----	2	90589-VD6-901	3437902
57	E-RING (8MM)	5 5A	-----	-----	2	90601-473-003	1544824
58	CLIP, SPLASH	5 5A	-----	-----	2	90657-SB0-003	1477280

WINDSCREEN

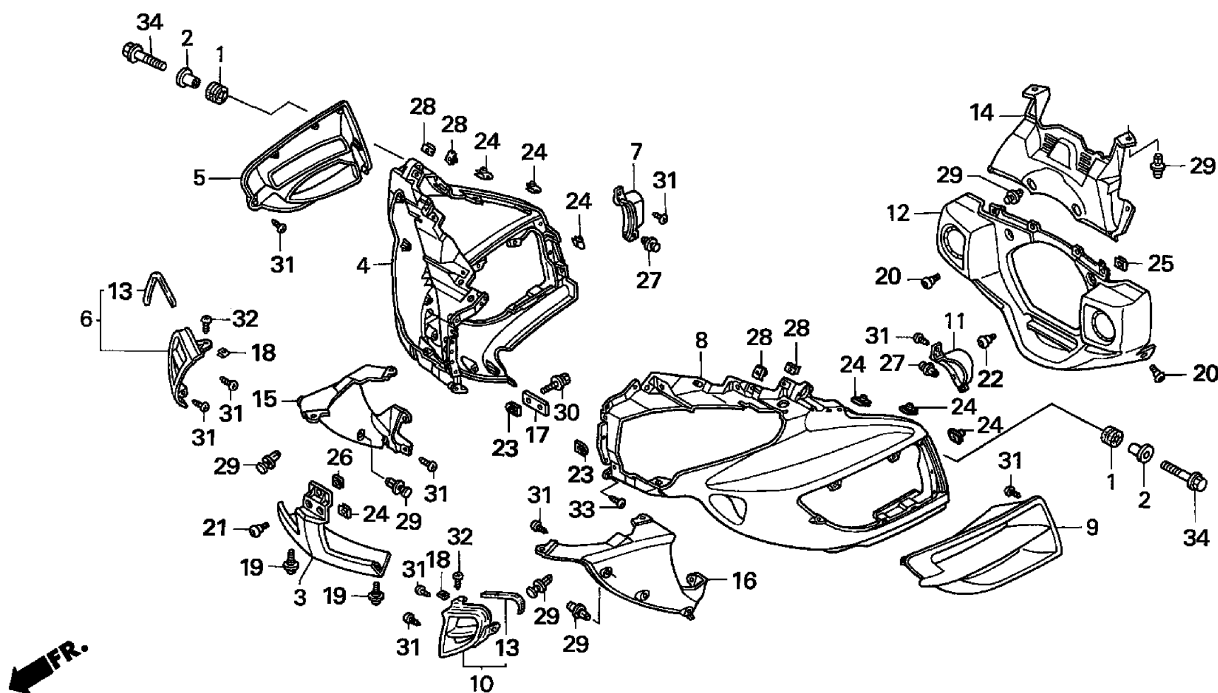
5 =GL1800'05
5A=GL1800A'05

F-41

Frame
Serial Number

Ref	Description	Model	From	To	QTY	Part Number	H/C
59	BOLT, RECESSED (6X8).....	5 5A	-----	-----	2	92301-06008-0A	3169026
60	SCREW, PAN (6X8).....	5 5A	-----	-----	1	90053-371-980	0457044
	SCREW, PAN (6X8).....	5 5A	-----	-----	1	93500-06008-0A	0182352
	SCREW, PAN (6X8).....	5 5A	-----	-----	1	93500-06008-0H	2421378
	SCREW, PAN (6X8).....	5 5A	-----	-----	1	93500-06008-1H	1904648
61	SCREW, TAPPING (4X6).....	5 5A	-----	-----	1	93903-24020	1172097
62	SCREW, TAPPING (4X10).....	5 5A	-----	-----	7	93903-24280	0562082
63	NUT, HEX. (6MM).....	5 5A	-----	-----	2	94002-06000-0S	0181032
64	NUT, FLANGE (6MM).....	5 5A	-----	-----	2	94050-06000	0471623
65	WASHER, PLAIN (6MM)	5 5A	-----	-----	2	94103-06000	0450122
66	CIRCLIP (OUTER) (10MM)	5 5A	-----	-----	1	94510-10000	0156992
67	BOLT, FLANGE (6X12)	5 5A	-----	-----	8	96001-06012-00	2105930
68	BOLT, FLANGE (6X16)	5 5A	-----	-----	2	96001-06016-00	2105955
69	BOLT, FLANGE (6X40)	5 5A	-----	-----	2	96001-06040-00	2106037
70	BOLT, FLANGE (6X45)	5 5A	-----	-----	1	96001-06045-00	2106045

COWL



MCAA-F4200
MCAAF4200

5 =GL1800'05
5A=GL1800A'05

F-42

Frame
Serial Number

Ref	Description	Model	From	To	QTY	Part Number	H/C
1	RUBBER, RADIATOR MOUNTING	5 5A	-----	-----	2	19051-KA3-830	1906759
2	COLLAR, FR. FENDER SETTING	5 5A	-----	-----	3	61101-MN4-000	3039104
3	COWL, FR. CENTER *Y130P* (PEARL HOT ROD YELLOW)	5 5A	-----	-----	1	64216-MCA-000ZD	6540611
	COWL, FR. CENTER *R287M* (BLOODSTONE RED METALLIC)	5 5A	-----	-----	1	64216-MCA-000ZM	7526783
	COWL, FR. CENTER *NHA29* (ARCTIC WHITE)	5 5A	-----	-----	1	64216-MCA-000ZQ	7526817
	COWL, FR. CENTER *NHA27M* (BILLET SILVER METALLIC)	5 5A	-----	-----	1	64216-MCA-000ZR	7794381
	COWL, FR. CENTER *PB356M* (NOVA BLUE METALLIC)	5 5A	-----	-----	1	64216-MCA-000ZT	7794399
	COWL, FR. CENTER *NHA45M* (PORTLAND GRAY METALLIC)	5 5A	-----	-----	1	64216-MCA-000ZU	7794407
4	COWL, R. SIDE *Y130P* (PEARL HOT ROD YELLOW)	5 5A	-----	-----	1	64282-MCA-000ZD	6565345
	COWL, R. SIDE *R287M* (BLOODSTONE RED METALLIC)	5 5A	-----	-----	1	64282-MCA-000ZM	7526833
	COWL, R. SIDE *NHA29* (ARCTIC WHITE)	5 5A	-----	-----	1	64282-MCA-000ZQ	7526866

COWL

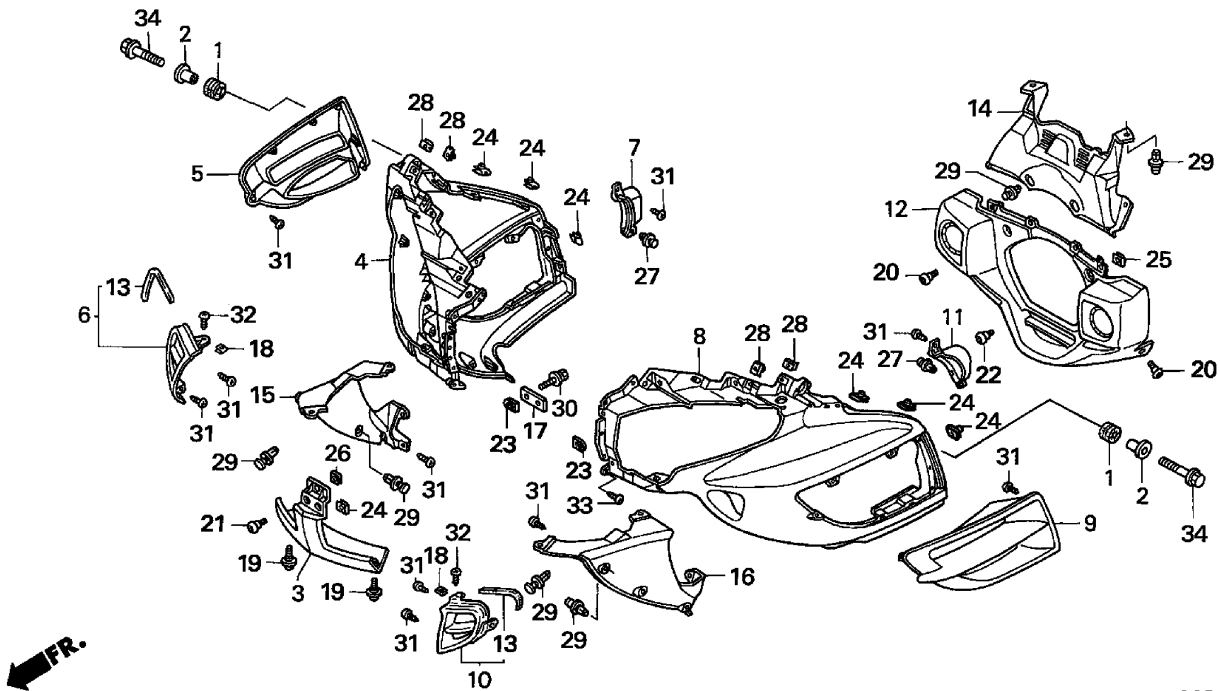
5 =GL1800'05
5A=GL1800A'05

F-42

Frame
Serial Number

Ref	Description	Model	From	To	QTY	Part Number	H/C
4	COWL, R. SIDE *NHA27M* (BILLET SILVER METALLIC).....	5 5A	-----	-----	1	64282-MCA-000ZR	7794415
	COWL, R. SIDE *PB356M* (NOVA BLUE METALLIC).....	5 5A	-----	-----	1	64282-MCA-000ZT	7794423
	COWL, R. SIDE *NHA45M* (PORTLAND GRAY METALLIC)	5 5A	-----	-----	1	64282-MCA-000ZU	7794431
5	LOUVER, R. SIDE COWL *Y130P* (PEARL HOT ROD YELLOW)	5 5A	-----	-----	1	64285-MCA-000ZD	6541619
	LOUVER, R. SIDE COWL *R287M* (BLOODSTONE RED METALLIC).....	5 5A	-----	-----	1	64285-MCA-000ZM	7526189
	LOUVER, R. SIDE COWL *NHA29* (ARCTIC WHITE)	5 5A	-----	-----	1	64285-MCA-000ZQ	7526213
	LOUVER, R. SIDE COWL *NHA27M* (BILLET SILVER METALLIC).....	5 5A	-----	-----	1	64285-MCA-000ZR	7794449
	LOUVER, R. SIDE COWL *PB356M* (NOVA BLUE METALLIC)	5 5A	-----	-----	1	64285-MCA-000ZT	7794456
	LOUVER, R. SIDE COWL *NHA45M* (PORTLAND GRAY METALLIC)	5 5A	-----	-----	1	64285-MCA-000ZU	7794464
6	DUCT, R. AIR.....	5 5A	-----	-----	1	64286-MCA-000	6543342
7	DUCT, R. SIDE COWL.....	5 5A	-----	-----	1	64287-MCA-000	6538896
8	COWL, L. SIDE *Y130P* (PEARL HOT ROD YELLOW)	5 5A	-----	-----	1	64292-MCA-000ZD	6565386
	COWL, L. SIDE *R287M* (BLOODSTONE RED METALLIC)	5 5A	-----	-----	1	64292-MCA-000ZM	7526882
	COWL, L. SIDE *NHA29* (ARCTIC WHITE)	5 5A	-----	-----	1	64292-MCA-000ZQ	7526916
	COWL, L. SIDE *NHA27M* (BILLET SILVER METALLIC).....	5 5A	-----	-----	1	64292-MCA-000ZR	7794472
	COWL, L. SIDE *PB356M* (NOVA BLUE METALLIC).....	5 5A	-----	-----	1	64292-MCA-000ZT	7794480
	COWL, L. SIDE *NHA45M* (PORTLAND GRAY METALLIC)	5 5A	-----	-----	1	64292-MCA-000ZU	7794498
9	LOUVER, L. SIDE COWL *Y130P* (PEARL HOT ROD YELLOW)	5 5A	-----	-----	1	64295-MCA-000ZD	6541700
	LOUVER, L. SIDE COWL *R287M* (BLOODSTONE RED METALLIC).....	5 5A	-----	-----	1	64295-MCA-000ZM	7526239
	LOUVER, L. SIDE COWL *NHA29* (ARCTIC WHITE)	5 5A	-----	-----	1	64295-MCA-000ZQ	7526262
	LOUVER, L. SIDE COWL *NHA27M* (BILLET SILVER METALLIC).....	5 5A	-----	-----	1	64295-MCA-000ZR	7794506

COWL



MCAA-F4200
MCAAF4200

5 =GL1800'05
5A=GL1800A'05

F-42

Frame
Serial Number

Ref	Description	Model	From	To	QTY	Part Number	H/C
9	LOUVER, L. SIDE COWL *PB356M* (NOVA BLUE METALLIC)	5 5A	-----	-----	1	64295-MCA-000ZT	7794514
	LOUVER, L. SIDE COWL *NHA45M* (PORTLAND GRAY METALLIC)	5 5A	-----	-----	1	64295-MCA-000ZU	7794522
10	DUCT, L. AIR	5 5A	-----	-----	1	64296-MCA-000	6543359
11	DUCT, L. SIDE COWL	5 5A	-----	-----	1	64297-MCA-000	6538912
12	COWL, FR. (LOWER) *NH168M* (VERNIER GRAY METALLIC)	5 5A	-----	-----	1	64302-MCA-000ZA	6542872
13	SEAL, AIR DUCT	5 5A	-----	-----	2	64448-MCA-300	6543367
14	COWL, CENTER (INNER) *NH1Z* (BLACK-Z)	5 5A	-----	-----	1	64501-MCA-000ZA	6542187
15	COWL, R. (INNER) *Y130P* (PEARL HOT ROD YELLOW)	5 5A	-----	-----	1	64502-MCA-000ZD	6542369
	COWL, R. (INNER) *R287M* (BLOODSTONE RED METALLIC)	5 5A	-----	-----	1	64502-MCA-000ZM	7526932
	COWL, R. (INNER) *NHA29* (ARCTIC WHITE)	5 5A	-----	-----	1	64502-MCA-000ZQ	7526965
	COWL, R. (INNER) *NHA27M* (BILLET SILVER METALLIC)	5 5A	-----	-----	1	64502-MCA-000ZR	7794530
	COWL, R. (INNER) *PB356M* (NOVA BLUE METALLIC)	5 5A	-----	-----	1	64502-MCA-000ZT	7794548

COWL

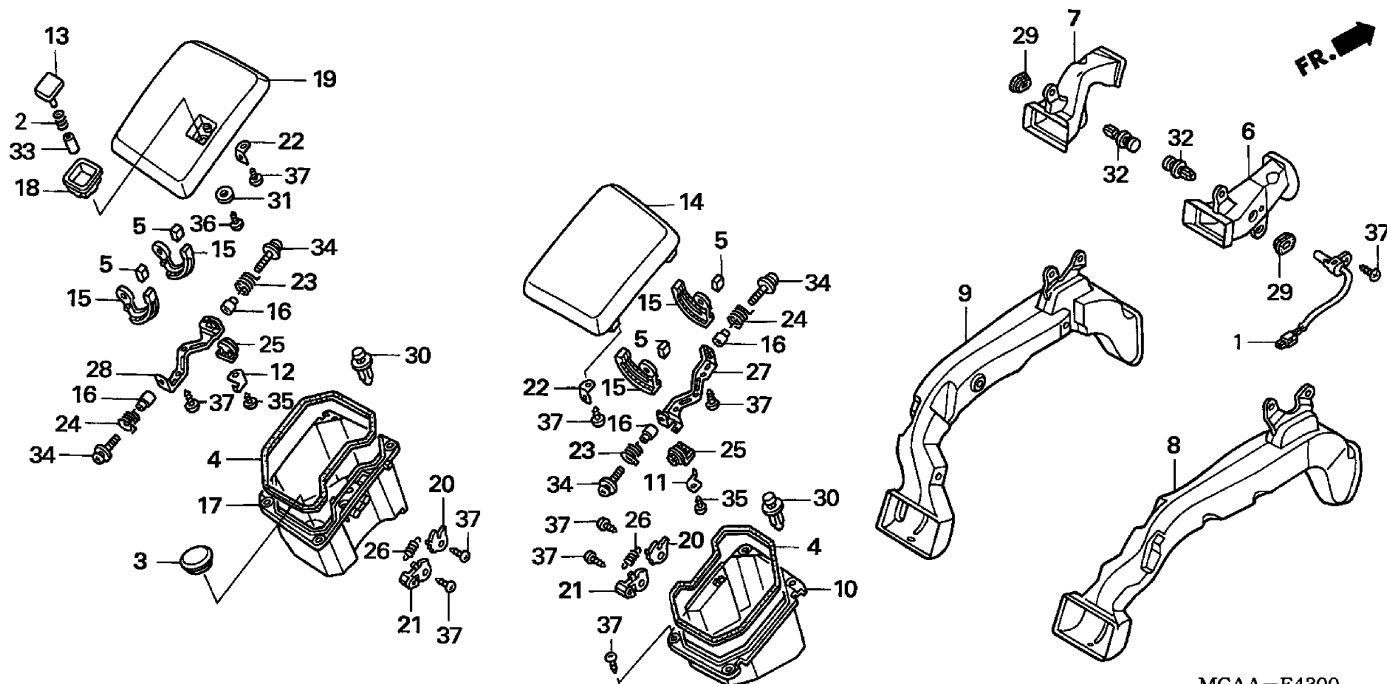
5 =GL1800'05
5A=GL1800A'05

F-42

Frame
Serial Number

Ref	Description	Model	From	To	QTY	Part Number	H/C
15	COWL, R. (INNER) *NHA45M* (PORTLAND GRAY METALLIC)	5 5A	-----	-----	1	64502-MCA-000ZU	7794555
16	COWL, L. (INNER) *Y130P* (PEARL HOT ROD YELLOW)	5 5A	-----	-----	1	64503-MCA-000ZD	6542492
	COWL, L. (INNER) *R287M* (BLOODSTONE RED METALLIC)	5 5A	-----	-----	1	64503-MCA-000ZM	7526981
	COWL, L. (INNER) *NHA29* (ARCTIC WHITE)	5 5A	-----	-----	1	64503-MCA-000ZQ	7527013
	COWL, L. (INNER) *NHA27M* (BILLET SILVER METALLIC)	5 5A	-----	-----	1	64503-MCA-000ZR	7794563
	COWL, L. (INNER) *PB356M* (NOVA BLUE METALLIC)	5 5A	-----	-----	1	64503-MCA-000ZT	7794571
	COWL, L. (INNER) *NHA45M* (PORTLAND GRAY METALLIC)	5 5A	-----	-----	1	64503-MCA-000ZU	7794589
17	PLATE, HEADLIGHT (LOWER)	5 5A	-----	-----	1	64517-MCA-000	6620884
18	NUT, COWL (UPPER)	5 5A	-----	-----	2	66871-KY2-700	6114243
19	SCREW, SPECIAL (5X12)	5 5A	-----	-----	2	90105-MB1-000	1250919
20	SCREW, PAN (6X11)	5 5A	-----	-----	4	90106-KY2-701	3134053
21	SCREW, PAN (6X14)	5 5A	-----	-----	1	90107-MM5-000	2544609
22	SCREW, SPECIAL (6MM)	5 5A	-----	-----	2	90137-MCA-000	6621890
23	NUT, AIR SPOILER CLIP	5 5A	-----	-----	2	90305-SH3-000	2935476
24	NUT, SPRING (5MM)	5 5A	-----	-----	8	90320-GE2-760	3044245
25	NUT, SPRING (6MM)	5 5A	-----	-----	2	90320-MM5-000	2551943
26	NUT, SPRING (6MM)	5 5A	-----	-----	1	90320-747-000	3527025
27	CLIP, SPLASH	5 5A	-----	-----	2	90657-SB0-003	1477280
28	NUT, CLIP (5MM)	5 5A	-----	-----	4	90677-KAN-961	5750450
29	CLIP, PANEL FIXING *NH1* (BLACK)	5 5A	-----	-----	10	91549-MW0-790ZA	4230462
30	BOLT-WASHER (6X30)	5 5A	-----	-----	2	93404-06030-07	6622468
31	SCREW, TAPPING (4X10)	5 5A	-----	-----	20	93903-24280	0562082
32	SCREW, TAPPING (4X12)	5 5A	-----	-----	2	93903-24380	0562090
33	SCREW, TAPPING (5X16)	5 5A	-----	-----	5	93903-25380	1172139
34	BOLT, FLANGE (6X22)	5 5A	-----	-----	2	96001-06022-00	2112191

AIR DUCT



5 =GL1800'05
5A=GL1800A'05

F-43

Frame
Serial Number

MCAA-F4300

MCAAF4300

Ref	Description	Model	From	To	QTY	Part Number	H/C
1	SENSOR, TEMPERATURE (OPEN AIR)....	5 5A	-----	-----	1	37890-MCA-003	6619712
2	SPRING, COIL	5 5A	-----	-----	1	38253-898-000	2085595
3	GROMMET, WASHER HOLE	5 5A	-----	-----	1	38564-SA5-000	1178995
4	SEAL, POCKET	5 5A	-----	-----	2	64228-MCA-300	6536957
5	SEAL, POCKET ARM.....	5 5A	-----	-----	4	64229-MCA-300	6620751
6	DUCT, R. AIR (UPPER)	5 5A	-----	-----	1	64275-MCA-000	6540660
7	DUCT, L. AIR (UPPER)	5 5A	-----	-----	1	64276-MCA-000	6540678
8	DUCT, R. AIR (LOWER).....	5 5A	-----	-----	1	64278-MCA-000	6540686
9	DUCT, L. AIR (LOWER)	5 5A	-----	-----	1	64279-MCA-000	6540694
10	POCKET, R. FR.....	5 5A	-----	-----	1	64410-MCA-780	6717615
11	PLATE, R. POCKET ARM POSITION	5 5A	-----	-----	1	64412-MCA-000	6620819
12	PLATE, L. POCKET ARM POSITION	5 5A	-----	-----	1	64413-MCA-000	6620827
13	BUTTON, L. POCKET COVER OPEN	5 5A	-----	-----	1	64414-MCA-000	6646350
14	COVER, R. POCKET	5 5A	-----	-----	1	64415-MCA-780	6716203
15	ARM, FR. POCKET	5 5A	-----	-----	4	64416-MCA-000	6538961
16	COLLAR, POCKET ARM PIVOT	5 5A	-----	-----	4	64419-MCA-000	6538979
17	POCKET, L. FR.....	5 5A	-----	-----	1	64420-MCA-000	6591796
18	COVER, L. BUTTON	5 5A	-----	-----	1	64423-MCA-000	6620835

AIR DUCT

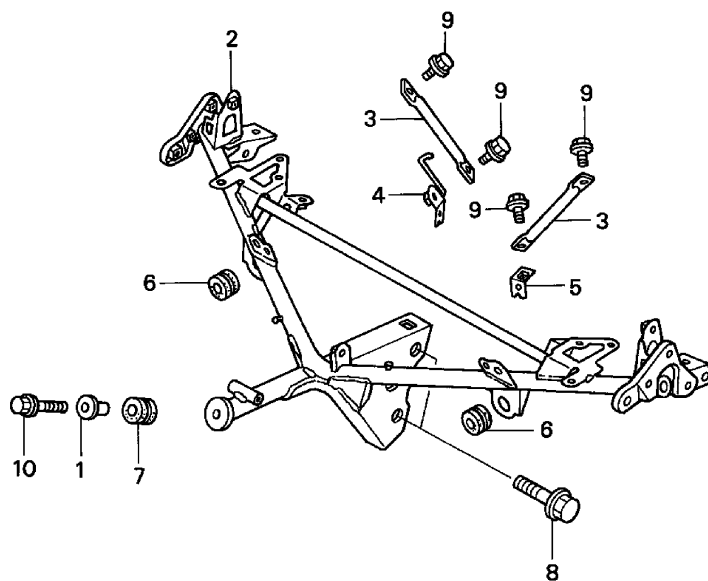
5 =GL1800'05
5A=GL1800A'05

F-43

Frame
Serial Number

Ref	Description	Model	From	To	QTY	Part Number	H/C
19	COVER, L. POCKET	5 5A	-----	-----	1	64425-MCA-000	6638969
20	CAM A, POCKET COVER LOCK.....	5 5A	-----	-----	2	64428-MCA-000	6538987
21	CAM B, POCKET COVER LOCK.....	5 5A	-----	-----	2	64429-MCA-000	6539001
22	PLATE, POCKET LOCK.....	5 5A	-----	-----	2	64431-MCA-000	6539233
23	SPRING A, FR. POCKET	5 5A	-----	-----	2	64433-MCA-000	6541734
24	SPRING B, FR. POCKET	5 5A	-----	-----	2	64434-MCA-000	6541742
25	DAMPER, FR. POCKET.....	5 5A	-----	-----	2	64435-MCA-000	6620843
26	SPRING, POCKET LOCK CAM	5 5A	-----	-----	2	64436-MCA-000	6541759
27	STAY, R. POCKET COVER.....	5 5A	-----	-----	1	64438-MCA-000	6539084
28	STAY, L. POCKET COVER	5 5A	-----	-----	1	64439-MCA-000	6539100
29	GROMMET, AIR CLEANER HOUSING	5 5A	-----	-----	2	83551-GE2-000	1406164
30	CLIP, BUMPER SEAL	5 5A	-----	-----	6	90116-SP0-003	3674520
31	WASHER, PLAIN (3MM)	5 5A	-----	-----	1	90502-MCA-000	6717151
32	CLIP, PANEL FIXING *NH1* (BLACK).....	5 5A	-----	-----	2	91549-MW0-790ZA	4230462
33	COLLAR A	5 5A	-----	-----	1	91551-883-T00	6654206
34	SCREW-WASHER (4X25)	5 5A	-----	-----	4	93894-04025-00	6622484
35	SCREW, TAPPING (3X12).....	5 5A	-----	-----	2	93903-22280	3370939
36	SCREW, TAPPING (3X12).....	5 5A	-----	-----	1	93903-22380	2884096
37	SCREW, TAPPING (4X10).....	5 5A	-----	-----	15	93903-24280	0562082

COWL STAY



MCA4- F4400

MCA4F4400

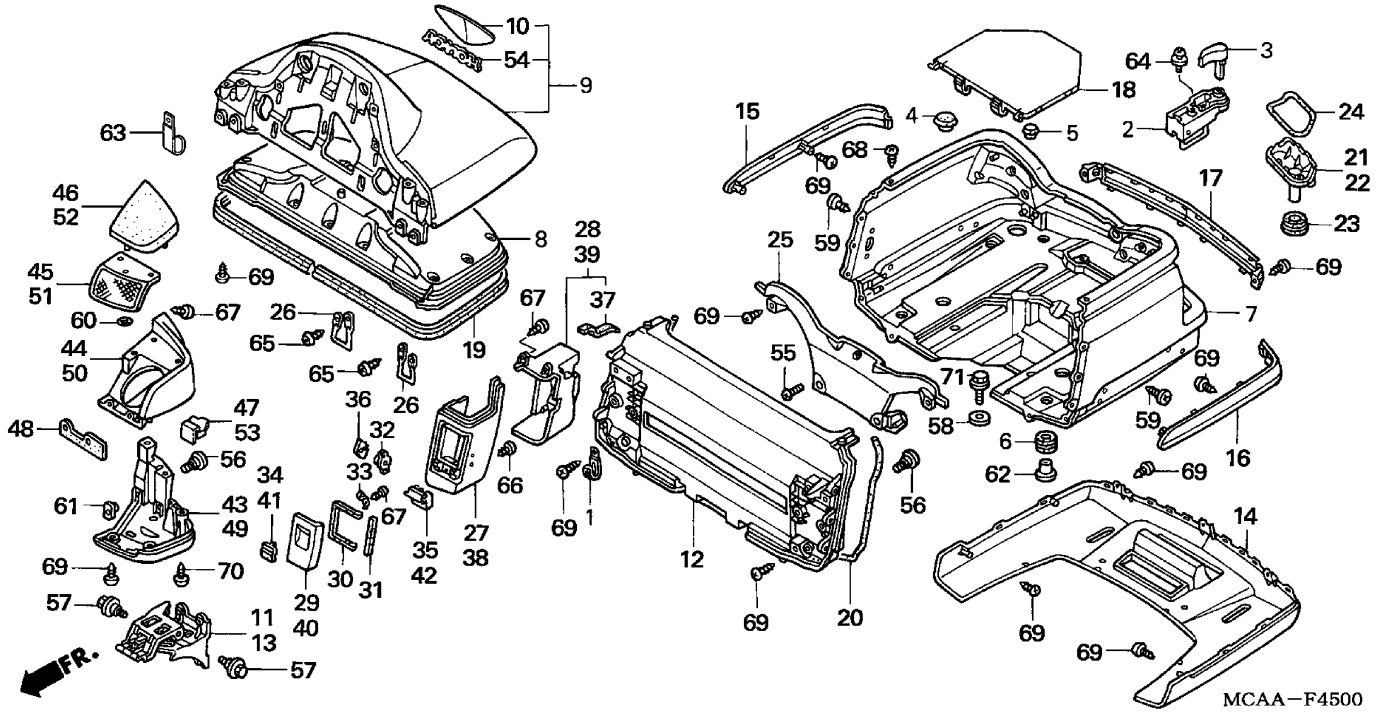
5 =GL1800'05
5A=GL1800A'05

F-44

Frame
Serial Number

Ref	Description	Model	From	To	QTY	Part Number	H/C
1	COLLAR, FR. FENDER SETTING	5 5A	-----	-----	1	61101-MN4-000	3039104
2	STAY A, COWL (UPPER)	5 5A	-----	-----	1	64510-MCA-000	6565394
3	PIPE, COWL SIDE	5 5A	-----	-----	2	64514-MCA-000	6551980
4	STAY, R. COWL SIDE PIPE	5 5A	-----	-----	1	64515-MCA-000	6620868
5	STAY, L. COWL SIDE PIPE.....	5 5A	-----	-----	1	64525-MCA-000	6620892
6	RUBBER, RR. FENDER.....	5 5A	-----	-----	2	80103-MG2-000	1490408
7	RUBBER A, RR. FENDER	5 5A	-----	-----	1	80105-028-000	0131391
8	BOLT, FLANGE (8X32)	5 5A	-----	-----	2	90120-MAS-E11	6052443
9	BOLT, FLANGE (6X12)	5 5A	-----	-----	4	96001-06012-00	2105930
10	BOLT, FLANGE (6X22)	5 5A	-----	-----	1	96001-06022-00	2112191

TRUNK BOX



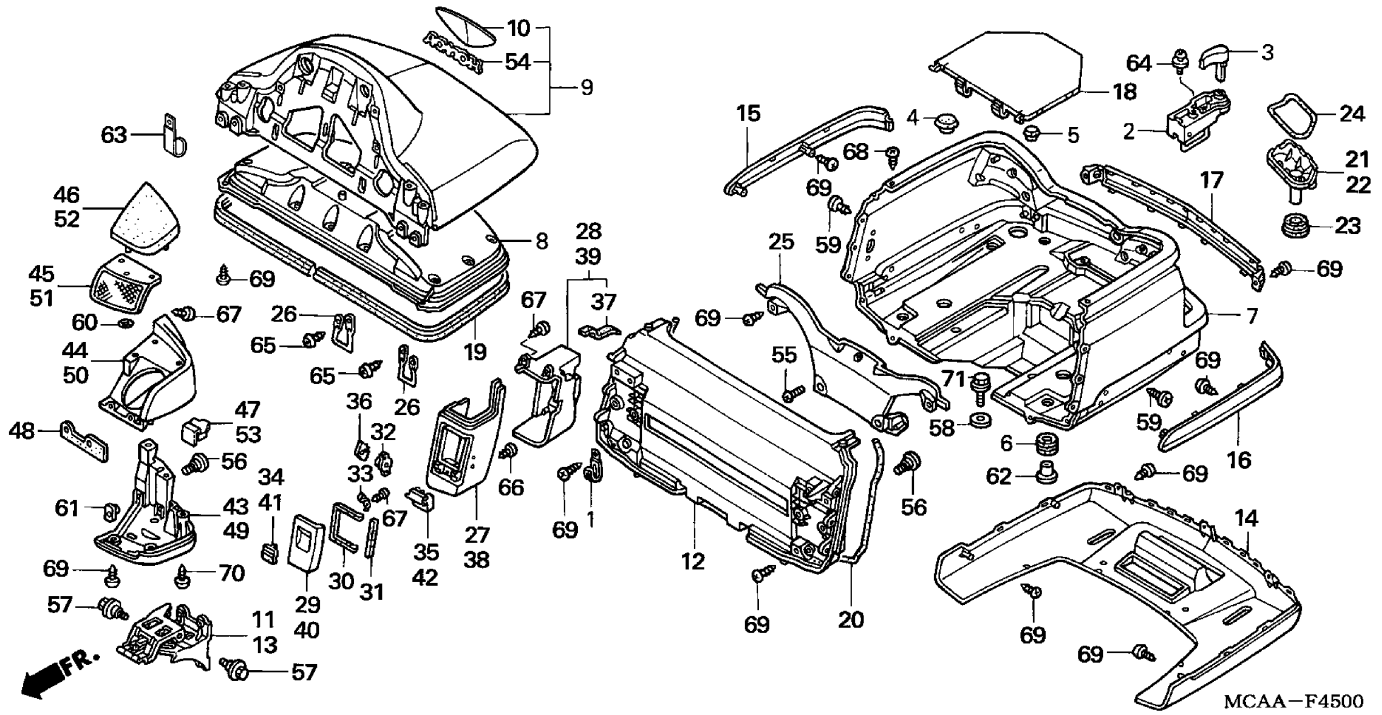
5 =GL1800'05
5A=GL1800A'05

F-45

Frame
Serial Number

Ref	Description	Model	From	To	QTY	Part Number	H/C
1	CLIP, PULSER WIRE	5 5A	-----	-----	1	32925-958-000	1771013
2	HOLDER ASSY., HELMET.....	5 5A	-----	-----	2	50710-MCA-003	6620371
3	KNOB ASSY., HELMET HOLDER	5 5A	-----	-----	2	50714-MCA-000	6538805
4	CAP, MAIN STAND PIPE.....	5 5A	-----	-----	2	50750-MB0-000	1249200
5	RUBBER, STOPPER	5 5A	-----	-----	2	80105-MAH-610	6654115
6	RUBBER, TRUNK MOUNTING	5 5A	-----	-----	4	80202-MCA-000	6621007
7	BOX, TRUNK *Y130P* (PEARL HOT ROD YELLOW)	5 5A	-----	-----	1	81111-MCA-000ZD	6542641
	BOX, TRUNK *R287M* (BLOODSTONE RED METALLIC)	5 5A	-----	-----	1	81111-MCA-000ZM	7527088
	BOX, TRUNK *NHA29* (ARCTIC WHITE)..	5 5A	-----	-----	1	81111-MCA-000ZQ	7527112
	BOX, TRUNK *NHA27M* (BILLET SILVER METALLIC).....	5 5A	-----	-----	1	81111-MCA-000ZR	7794662
	BOX, TRUNK *PB356M* (NOVA BLUE METALLIC).....	5 5A	-----	-----	1	81111-MCA-000ZT	7794670
	BOX, TRUNK *NHA45M* (PORTLAND GRAY METALLIC)	5 5A	-----	-----	1	81111-MCA-000ZU	7794688
8	INNER LID, TRUNK	5 5A	-----	-----	1	81123-MCA-000	6543276
9	LID SET, TRUNK (TYPE1) (WL)	5 5A	-----	-----	1	81125-MCA-A40ZG	7794696

TRUNK BOX



MCAA-F4500
MCAAF4500

5 =GL1800'05
5A=GL1800A'05

F-45

Frame
Serial Number

Ref	Description	Model	From	To	QTY	Part Number	H/C
9	LID SET, TRUNK (TYPE2) (WL)	5 5A	-----	-----	1	81125-MCA-A40ZH	7794704
	LID SET, TRUNK (TYPE3) (WL)	5 5A	-----	-----	1	81125-MCA-A40ZJ	7794712
	LID SET, TRUNK (TYPE4) (WL)	5 5A	-----	-----	1	81125-MCA-A40ZK	7794720
	LID SET, TRUNK (TYPE6) (WL)	5 5A	-----	-----	1	81125-MCA-A40ZM	7794738
	LID SET, TRUNK (TYPE5) (WL)	5 5A	-----	-----	1	81125-MCA-A40ZN	7794746
10	EMBLEM, RR. TRUNK (TYPE1)	5 5A	-----	-----	1	81127-MCA-A40ZA	7840192
	EMBLEM, RR. TRUNK (TYPE2)	5 5A	-----	-----	1	81127-MCA-A40ZB	7840200
	EMBLEM, RR. TRUNK (TYPE3)	5 5A	-----	-----	1	81127-MCA-A40ZC	7840218
	EMBLEM, RR. TRUNK (TYPE4)	5 5A	-----	-----	1	81127-MCA-A40ZD	7840226
	EMBLEM, RR. TRUNK (TYPE5)	5 5A	-----	-----	1	81127-MCA-A40ZE	7840234
	EMBLEM, RR. TRUNK (TYPE6)	5 5A	-----	-----	1	81127-MCA-A40ZF	7840242
11	HINGE, R. TRUNK	5 5A	-----	-----	1	81130-MCA-000	6621015
12	PANEL, FR. TRUNK.....	5 5A	-----	-----	1	81131-MCA-000	6540819
13	HINGE, L. TRUNK	5 5A	-----	-----	1	81135-MCA-000	6621023
14	COVER, TRUNK (LOWER) *Y130P* (PEARL HOT ROD YELLOW)	5 5A	-----	-----	1	81141-MCA-000ZD	6540850
	COVER, TRUNK (LOWER) *R287M* (BLOODSTONE RED METALLIC).....	5 5A	-----	-----	1	81141-MCA-000ZM	7527138

TRUNK BOX

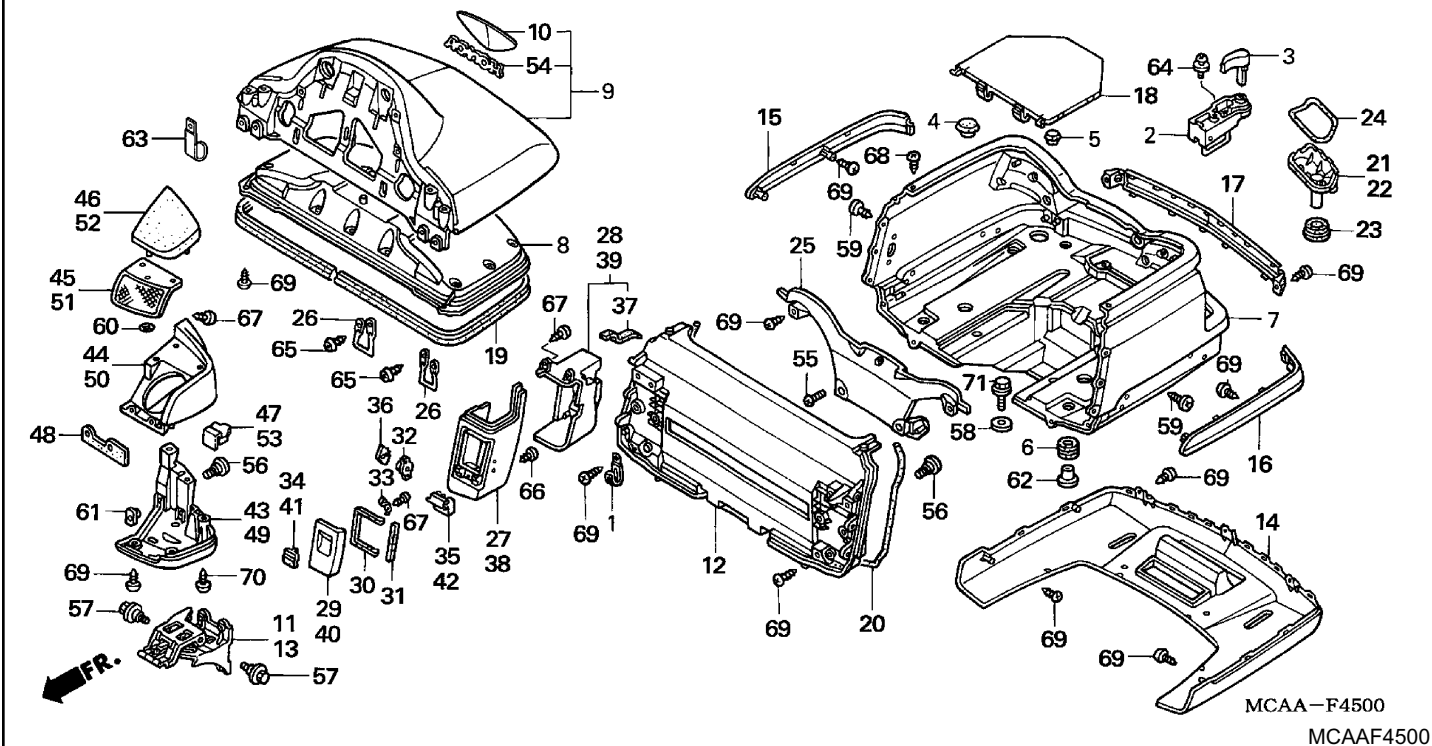
5 =GL1800'05
5A=GL1800A'05

F-45

Frame
Serial Number

Ref	Description	Model	From	To	QTY	Part Number	H/C
14	COVER, TRUNK (LOWER) *NHA29* (ARCTIC WHITE)	5 5A	-----	-----	1	81141-MCA-000ZQ	7527161
	COVER, TRUNK (LOWER) *NHA27M* (BILLET SILVER METALLIC).....	5 5A	-----	-----	1	81141-MCA-000ZR	7794753
	COVER, TRUNK (LOWER) *PB356M* (NOVA BLUE METALLIC)	5 5A	-----	-----	1	81141-MCA-000ZT	7794761
	COVER, TRUNK (LOWER) *NHA45M* (PORTLAND GRAY METALLIC)	5 5A	-----	-----	1	81141-MCA-000ZU	7794779
15	MOLDING, R. TRUNK SIDE *Y130P* (PEARL HOT ROD YELLOW)	5 5A	-----	-----	1	81161-MCA-000ZD	6540892
	MOLDING, R. TRUNK SIDE *R287M* (BLOODSTONE RED METALLIC).....	5 5A	-----	-----	1	81161-MCA-000ZM	7526288
	MOLDING, R. TRUNK SIDE *NHA29* (ARCTIC WHITE)	5 5A	-----	-----	1	81161-MCA-000ZQ	7526312
	MOLDING, R. TRUNK SIDE *NHA27M* (BILLET SILVER METALLIC).....	5 5A	-----	-----	1	81161-MCA-000ZR	7794787
	MOLDING, R. TRUNK SIDE *PB356M* (NOVA BLUE METALLIC)	5 5A	-----	-----	1	81161-MCA-000ZT	7794795
	MOLDING, R. TRUNK SIDE *NHA45M* (PORTLAND GRAY METALLIC)	5 5A	-----	-----	1	81161-MCA-000ZU	7794803
16	MOLDING, L. TRUNK SIDE *Y130P* (PEARL HOT ROD YELLOW)	5 5A	-----	-----	1	81162-MCA-000ZD	6540934
	MOLDING, L. TRUNK SIDE *R287M* (BLOODSTONE RED METALLIC).....	5 5A	-----	-----	1	81162-MCA-000ZM	7526338
	MOLDING, L. TRUNK SIDE *NHA29* (ARCTIC WHITE)	5 5A	-----	-----	1	81162-MCA-000ZQ	7526361
	MOLDING, L. TRUNK SIDE *NHA27M* (BILLET SILVER METALLIC).....	5 5A	-----	-----	1	81162-MCA-000ZR	7794811
	MOLDING, L. TRUNK SIDE *PB356M* (NOVA BLUE METALLIC)	5 5A	-----	-----	1	81162-MCA-000ZT	7794829
	MOLDING, L. TRUNK SIDE *NHA45M* (PORTLAND GRAY METALLIC)	5 5A	-----	-----	1	81162-MCA-000ZU	7794837
17	MOLDING, TRUNK CENTER *Y130P* (PEARL HOT ROD YELLOW)	5 5A	-----	-----	1	81163-MCA-000ZD	6541064
	MOLDING, TRUNK CENTER *R287M* (BLOODSTONE RED METALLIC).....	5 5A	-----	-----	1	81163-MCA-000ZM	7526387
	MOLDING, TRUNK CENTER *NHA29* (ARCTIC WHITE)	5 5A	-----	-----	1	81163-MCA-000ZQ	7526411
	MOLDING, TRUNK CENTER *NHA27M* (BILLET SILVER METALLIC).....	5 5A	-----	-----	1	81163-MCA-000ZR	7794845

TRUNK BOX



5 =GL1800'05
5A=GL1800A'05

F-45

Frame
Serial Number

Ref	Description	Model	From	To	QTY	Part Number	H/C
17	MOLDING, TRUNK CENTER *PB356M* (NOVA BLUE METALLIC)	5 5A	-----	-----	1	81163-MCA-000ZT	7794852
	MOLDING, TRUNK CENTER *NHA45M* (PORTLAND GRAY METALLIC)	5 5A	-----	-----	1	81163-MCA-000ZU	7794860
18	COVER, TRUNK (INNER)	5 5A	-----	-----	1	81171-MCA-000	6543284
19	RUBBER, TRUNK SEAL	5 5A	-----	-----	1	81181-MCA-000	6621049
20	RUBBER, FR. PANEL	5 5A	-----	-----	1	81183-MCA-000	6621056
21	COVER, R. TRUNK LIGHT	5 5A	-----	-----	1	81191-MCA-000	6621064
22	COVER, L. TRUNK LIGHT.....	5 5A	-----	-----	1	81192-MCA-000	6621072
23	RUBBER, TRUNK LIGHT SEAL (LOWER)	5 5A	-----	-----	2	81193-MCA-000	6621080
24	RUBBER, TRUNK LIGHT SEAL (UPPER)..	5 5A	-----	-----	2	81194-MCA-000	6621098
25	COVER, TRUNK CATCH.....	5 5A	-----	-----	1	81309-MCA-000	6542880
26	ROD, TRUNK STRIKER.....	5 5A	-----	-----	2	81328-MCA-780	6776520
27	OUTER, R. TRUNK POCKET	5 5A	-----	-----	1	82111-MCA-000	6638977
28	INNER, R. TRUNK POCKET	5 5A	-----	-----	1	82112-MCA-000	6542179
29	LID, R. TRUNK POCKET	5 5A	-----	-----	1	82120-MCA-000	6638993
30	RUBBER A, TRUNK POCKET SEAL.....	5 5A	-----	-----	2	82130-MCA-300	6621239
31	RUBBER B, TRUNK POCKET SEAL.....	5 5A	-----	-----	2	82135-MCA-300	6621247

TRUNK BOX

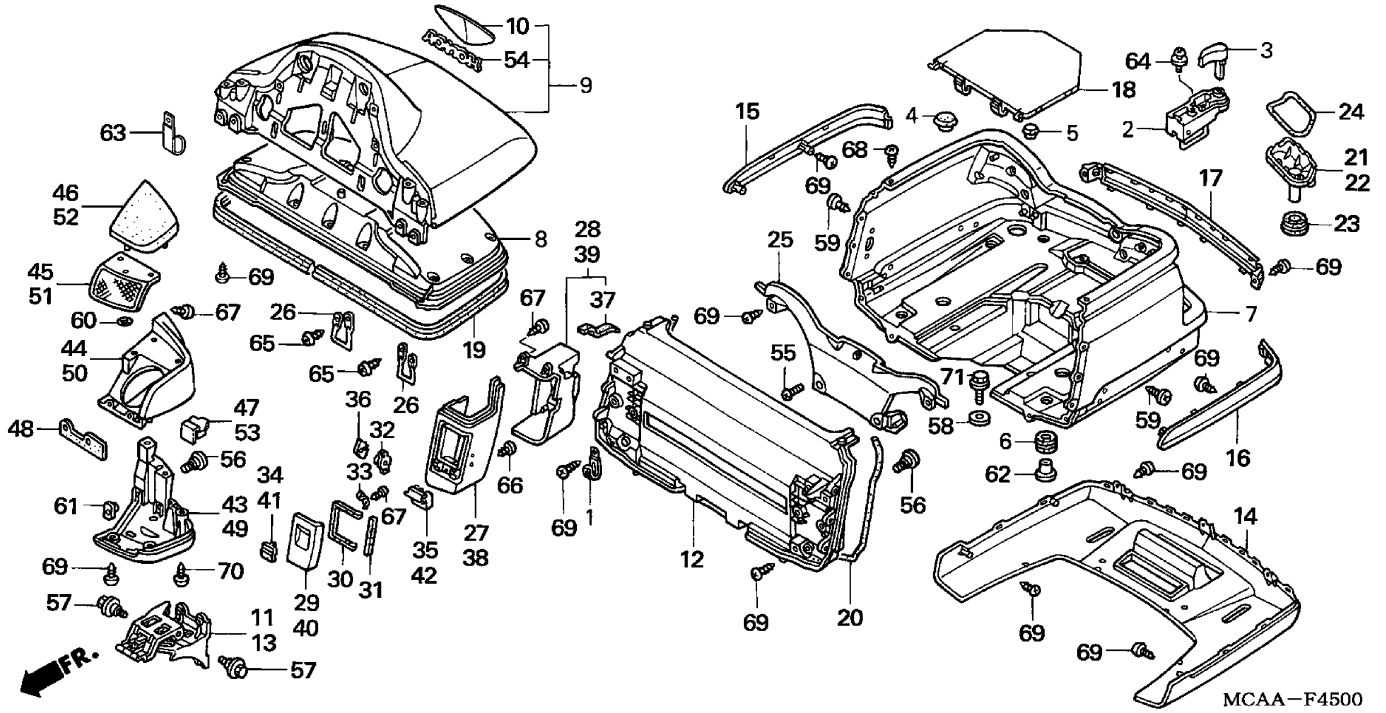
5 =GL1800'05
5A=GL1800A'05

F-45

Frame
Serial Number

Ref	Description	Model	From	To	QTY	Part Number	H/C
32	DAMPER, TRUNK POCKET	5 5A	-----	-----	2	82140-MCA-000	6621254
33	SPRING, TRUNK POCKET	5 5A	-----	-----	2	82150-MCA-000	6621262
34	LEVER, R. TRUNK POCKET	5 5A	-----	-----	1	82160-MCA-000	6639009
35	HINGE, R. TRUNK POCKET	5 5A	-----	-----	1	82170-MCA-000	6542211
36	GEAR, TRUNK POCKET DAMPER.....	5 5A	-----	-----	2	82180-MCA-000	6542229
37	RUBBER C, TRUNK POCKET SEAL.....	5 5A	-----	-----	2	82190-MCA-000	6621270
38	OUTER, L. TRUNK POCKET	5 5A	-----	-----	1	82211-MCA-000	6639017
39	INNER, L. TRUNK POCKET	5 5A	-----	-----	1	82212-MCA-000	6542245
40	LID, L. TRUNK POCKET	5 5A	-----	-----	1	82220-MCA-000	6639025
41	LEVER, L. TRUNK POCKET	5 5A	-----	-----	1	82260-MCA-000	6639033
42	HINGE, L. TRUNK POCKET	5 5A	-----	-----	1	82270-MCA-000	6565410
43	BODY, R. ARMREST	5 5A	-----	-----	1	82310-MCA-000	6639041
44	COVER A, R. ARMREST	5 5A	-----	-----	1	82320-MCA-000	6639058
45	COVER B, R. ARMREST *NH1* (BLACK) ..	5 5A	-----	-----	1	82330-MCA-000ZA	6542351
46	CUSHION, R. ARMREST *NH1* (BLACK)..	5 5A	-----	-----	1	82340-MCA-000ZA	6621288
47	RUBBER A, R. ARMREST	5 5A	-----	-----	1	82350-MCA-000	6621296
48	RUBBER B, ARMREST	5 5A	-----	-----	2	82360-MCA-000	6621304
49	BODY, L. ARMREST	5 5A	-----	-----	1	82410-MCA-000	6639066
50	COVER A, L. ARMREST	5 5A	-----	-----	1	82420-MCA-000	6645162
51	COVER B, L. ARMREST *NH1* (BLACK) ..	5 5A	-----	-----	1	82430-MCA-000ZA	6542401
52	CUSHION, L. ARMREST *NH1* (BLACK) ..	5 5A	-----	-----	1	82440-MCA-000ZA	6621312
53	RUBBER A, L. ARMREST	5 5A	-----	-----	1	82450-MCA-000	6621320
54	EMBLEM, RR. TRUNK (TYPE1) (HONDA)	5 5A	-----	-----	1	87111-MCA-A40ZA	7840283
	EMBLEM, RR. TRUNK (TYPE2) (HONDA)	5 5A	-----	-----	1	87111-MCA-A40ZB	7840291
	EMBLEM, RR. TRUNK (TYPE3) (HONDA)	5 5A	-----	-----	1	87111-MCA-A40ZC	7840309
	EMBLEM, RR. TRUNK (TYPE4) (HONDA)	5 5A	-----	-----	1	87111-MCA-A40ZD	7840317
	EMBLEM, RR. TRUNK (TYPE5) (HONDA)	5 5A	-----	-----	1	87111-MCA-A40ZE	7840325
	EMBLEM, RR. TRUNK (TYPE6) (HONDA)	5 5A	-----	-----	1	87111-MCA-A40ZF	7840333
55	SCREW, PAN (5X12)	5 5A	-----	-----	3	90104-964-000	1423714
56	SCREW, PAN (6X11)	5 5A	-----	-----	12	90106-KY2-701	3134053
57	BOLT, FLANGE (6MM).....	5 5A	-----	-----	6	90111-GE2-760	3472958
58	WASHER, TANK SETTING	5 5A	-----	-----	4	90136-428-870	0812834
59	SCREW, TAPPING (5X12).....	5 5A	-----	-----	6	90140-MCA-000	6621924
60	NUT, CLIP	5 5A	-----	-----	10	90301-GE0-000	2829166

TRUNK BOX



MCAA-F4500
MCAAF4500

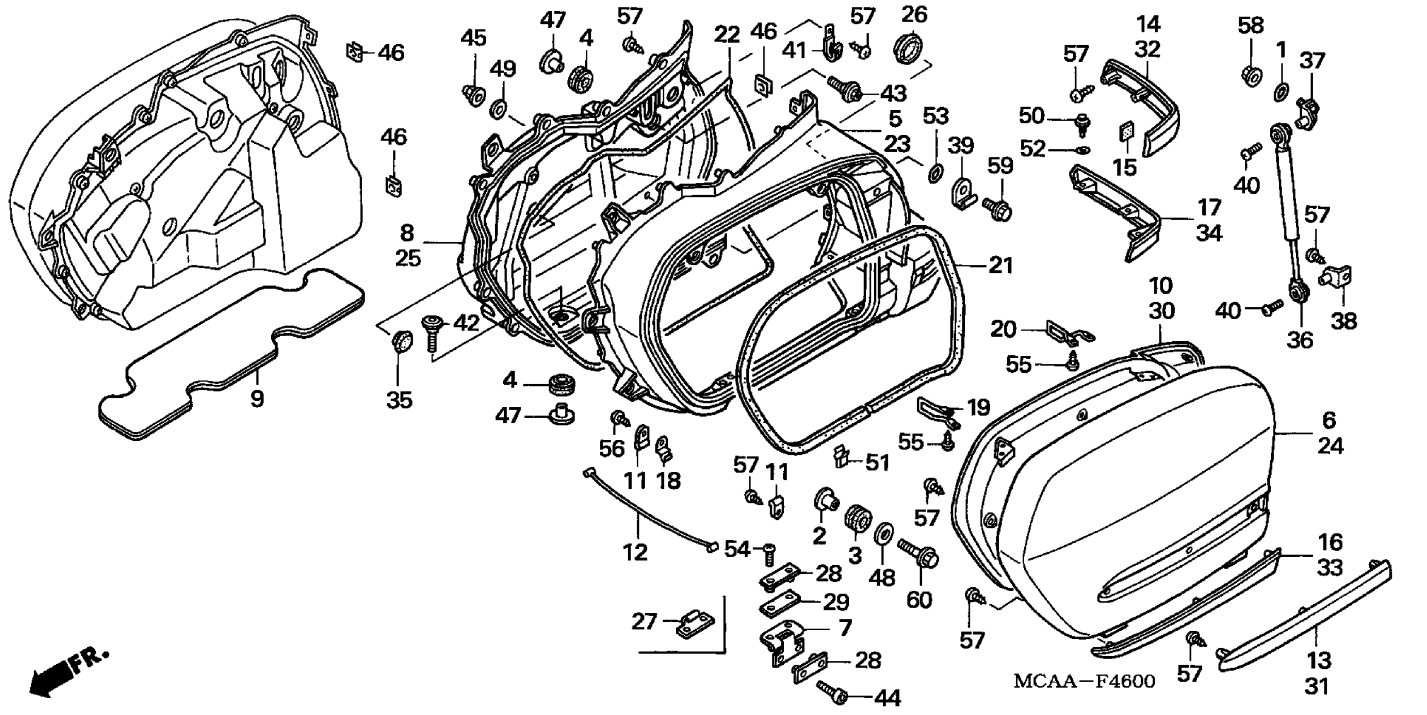
5 =GL1800'05
5A=GL1800A'05

F-45

Frame
Serial Number

Ref	Description	Model	From	To	QTY	Part Number	H/C
61	NUT, SPECIAL (6MM)	5 5A	-----	-----	4	90302-MN5-300	7553902
62	COLLAR, TRUNK MOUNTING	5 5A	-----	-----	4	90505-MCA-000	6622062
63	CLIP, WIRE HARNESS	5 5A	-----	-----	1	91405-MG1-000	1314707
64	SCREW-WASHER (6X12)	5 5A	-----	-----	2	93893-06012-07	1317007
65	SCREW, TAPPING (5X16).....	5 5A	-----	-----	4	93901-25380	1172030
66	SCREW, TAPPING (3X10).....	5 5A	-----	-----	6	93903-22210	6622492
67	SCREW, TAPPING (4X10).....	5 5A	-----	-----	14	93903-24280	0562082
68	SCREW, TAPPING (5X8).....	5 5A	-----	-----	4	93903-25080	0287698
69	SCREW, TAPPING (5X12).....	5 5A	-----	-----	55	93903-25280	0563981
70	SCREW, TAPPING (5X16).....	5 5A	-----	-----	4	93903-25380	1172139
71	BOLT, FLANGE (6X28)	5 5A	-----	-----	4	96001-06028-00	2106003

SADDLEBAG



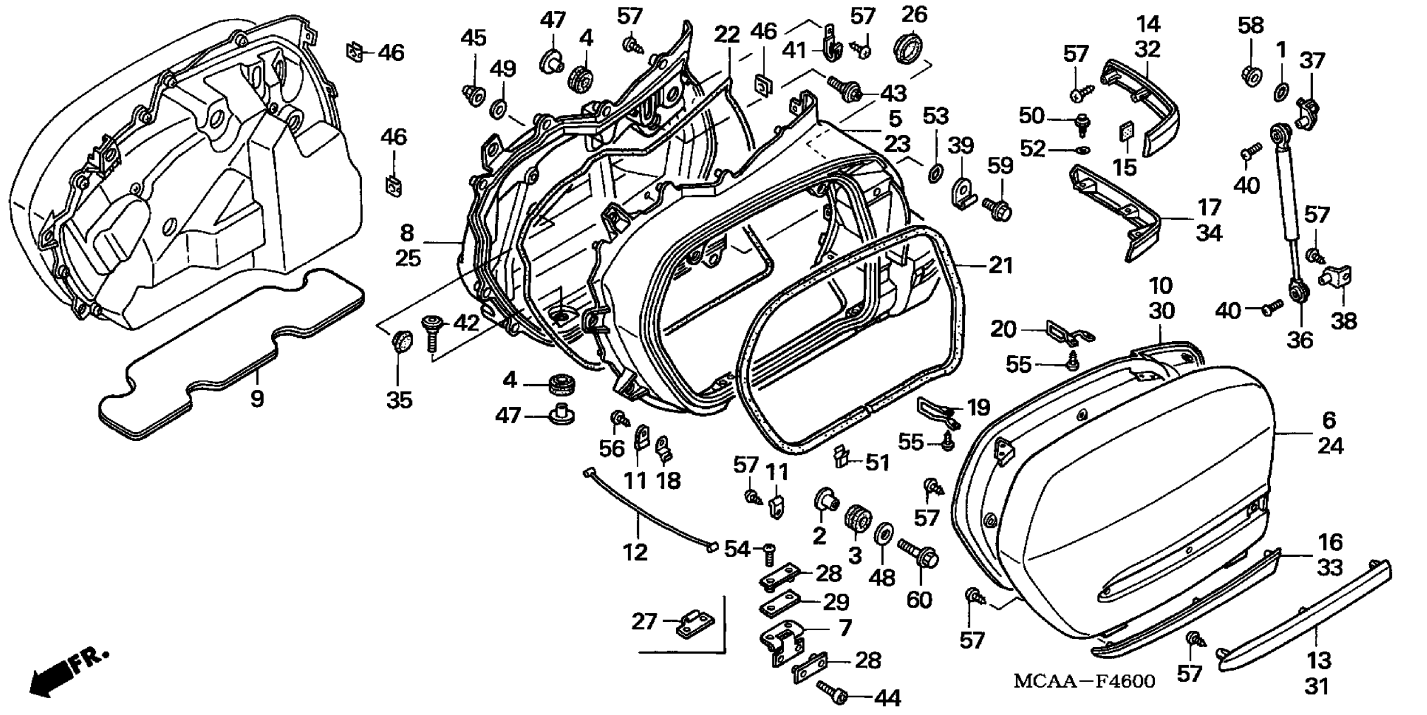
5 =GL1800'05
5A=GL1800A'05

F-46

Frame
Serial Number

Ref	Description	Model	From	To	QTY	Part Number	H/C
1	O-RING (4.8X1.9).....	5 5A	-----	-----	2	15142-PE0-000	1599463
2	COLLAR, RADIATOR SETTING	5 5A	-----	-----	2	19052-KA3-710	1320738
3	RUBBER, HEADLIGHT GUARD	5 5A	-----	-----	2	61320-KZ9-000	5367990
4	RUBBER, SADDLEBAG MOUNTING	5 5A	-----	-----	6	80201-MCA-000	6542609
5	BODY, R. SADDLEBAG *Y130P* (PEARL HOT ROD YELLOW)	5 5A	-----	-----	1	81211-MCA-000ZD	6541130
	BODY, R. SADDLEBAG *R287M* (BLOODSTONE RED METALLIC).....	5 5A	-----	-----	1	81211-MCA-000ZM	7527187
	BODY, R. SADDLEBAG *NHA29* (ARCTIC WHITE).....	5 5A	-----	-----	1	81211-MCA-000ZQ	7527211
	BODY, R. SADDLEBAG *NHA27M* (BILLET SILVER METALLIC).....	5 5A	-----	-----	1	81211-MCA-000ZR	7794878
	BODY, R. SADDLEBAG *PB356M* (NOVA BLUE METALLIC)	5 5A	-----	-----	1	81211-MCA-000ZT	7794886
	BODY, R. SADDLEBAG *NHA45M* (PORTLAND GRAY METALLIC)	5 5A	-----	-----	1	81211-MCA-000ZU	7794894
6	LID, R. SADDLEBAG *Y130P* (PEARL HOT ROD YELLOW)	5 5A	-----	-----	1	81221-MCA-000ZD	6541213
	LID, R. SADDLEBAG *R287M* (BLOODSTONE RED METALLIC).....	5 5A	-----	-----	1	81221-MCA-000ZM	7527237

SADDLEBAG



MCAAF4600

5 =GL1800'05
5A=GL1800A'05

F-46

Frame
Serial Number

Ref	Description	Model	From	To	QTY	Part Number	H/C
6	LID, R. SADDLEBAG *NHA29* (ARCTIC WHITE).....	5 5A	-----	-----	1	81221-MCA-000ZQ	7527260
	LID, R. SADDLEBAG *NHA27M* (BILLET SILVER METALLIC).....	5 5A	-----	-----	1	81221-MCA-000ZR	7794902
	LID, R. SADDLEBAG *PB356M* (NOVA BLUE METALLIC)	5 5A	-----	-----	1	81221-MCA-000ZT	7794910
	LID, R. SADDLEBAG *NHA45M* (PORTLAND GRAY METALLIC)	5 5A	-----	-----	1	81221-MCA-000ZU	7794928
7	HINGE, SADDLEBAG	5 5A	-----	-----	4	81230-MCA-000	6543417
8	PANEL, R. SADDLEBAG	5 5A	-----	-----	1	81231-MCA-000	6541221
9	GUARD, SADDLEBAG HEAT	5 5A	-----	-----	2	81232-MCA-A40	7840259
10	INNER LID, R. SADDLEBAG	5 5A	-----	-----	1	81241-MCA-000	6541239
11	STAY B, LID STOPPER.....	5 5A	-----	-----	4	81254-MN5-000	2809556
12	CABLE, SADDLEBAG STOPPER	5 5A	-----	-----	2	81259-MCA-000	6538763
13	MOLDING, R. SADDLEBAG SIDE *Y130P* (PEARL HOT ROD YELLOW)	5 5A	-----	-----	1	81261-MCA-000ZD	6541270
	MOLDING, R. SADDLEBAG SIDE *R287M* (BLOODSTONE RED METALLIC).....	5 5A	-----	-----	1	81261-MCA-000ZM	7526437
	MOLDING, R. SADDLEBAG SIDE *NHA29* (ARCTIC WHITE)	5 5A	-----	-----	1	81261-MCA-000ZQ	7526460

SADDLEBAG

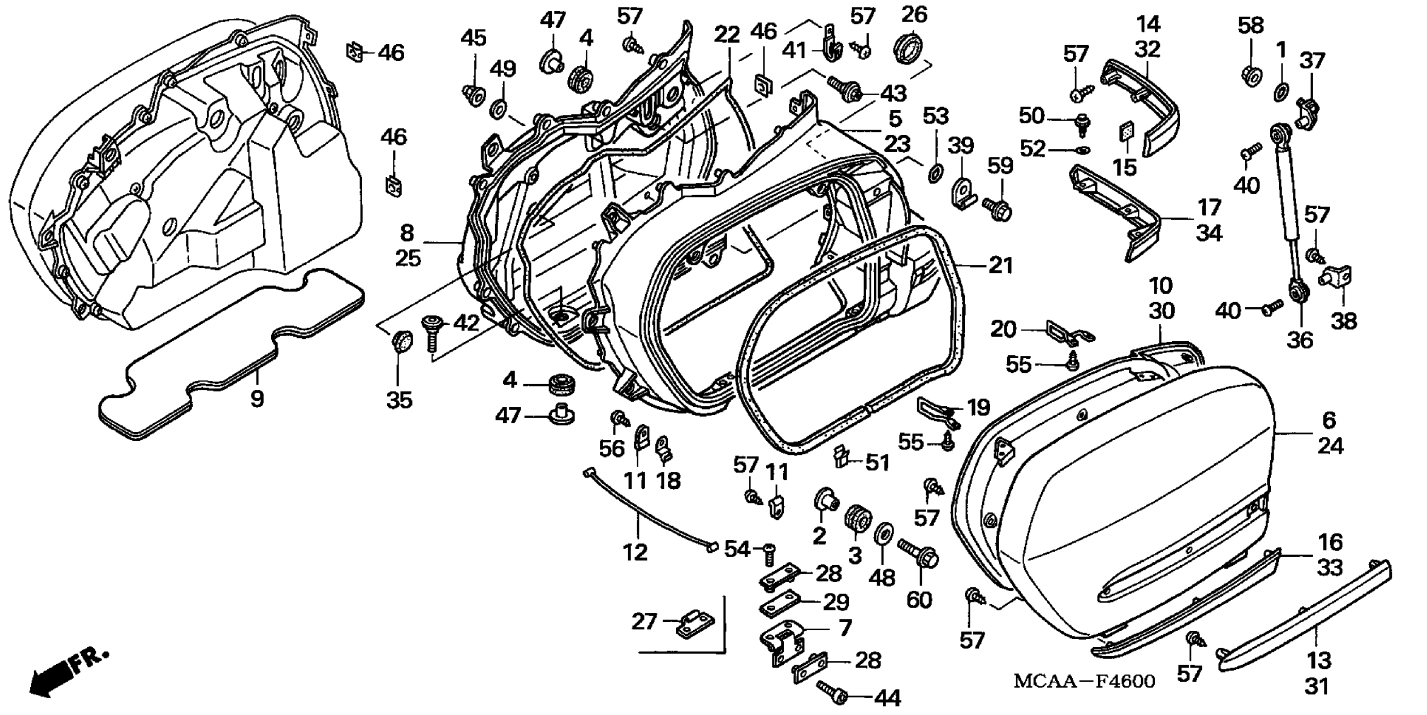
5 =GL1800'05
5A=GL1800A'05

F-46

Frame
Serial Number

Ref	Description	Model	From	To	QTY	Part Number	H/C
13	MOLDING, R. SADDLEBAG SIDE *NHA27M* (BILLET SILVER METALLIC)	5 5A	-----	-----	1	81261-MCA-000ZR	7794936
	MOLDING, R. SADDLEBAG SIDE *PB356M* (NOVA BLUE METALLIC)	5 5A	-----	-----	1	81261-MCA-000ZT	7794944
	MOLDING, R. SADDLEBAG SIDE *NHA45M* (PORTLAND GRAY METALLIC).....	5 5A	-----	-----	1	81261-MCA-000ZU	7794951
14	MOLDING, R. RR. SADDLEBAG *Y130P* (PEARL HOT ROD YELLOW)	5 5A	-----	-----	1	81271-MCA-000ZD	6541312
	MOLDING, R. RR. SADDLEBAG *R287M* (BLOODSTONE RED METALLIC).....	5 5A	-----	-----	1	81271-MCA-000ZM	7526486
	MOLDING, R. RR. SADDLEBAG *NHA29* (ARCTIC WHITE)	5 5A	-----	-----	1	81271-MCA-000ZQ	7526510
	MOLDING, R. RR. SADDLEBAG *NHA27M* (BILLET SILVER METALLIC)	5 5A	-----	-----	1	81271-MCA-000ZR	7794969
	MOLDING, R. RR. SADDLEBAG *PB356M* (NOVA BLUE METALLIC)	5 5A	-----	-----	1	81271-MCA-000ZT	7794977
	MOLDING, R. RR. SADDLEBAG *NHA45M* (PORTLAND GRAY METALLIC).....	5 5A	-----	-----	1	81271-MCA-000ZU	7794985
15	TAPE (25X25)	5 5A	-----	-----	2	81272-MCA-300	6621106
16	MOLDING, R. SADDLEBAG SIDE (LOWER) *Y130P* (PEARL HOT ROD YELLOW)	5 5A	-----	-----	1	81281-MCA-000ZD	6541353
	MOLDING, R. SADDLEBAG SIDE (LOWER) *R287M* (BLOODSTONE RED METALLIC)	5 5A	-----	-----	1	81281-MCA-000ZM	7528540
	MOLDING, R. SADDLEBAG SIDE (LOWER) *NHA29* (ARCTIC WHITE)	5 5A	-----	-----	1	81281-MCA-000ZQ	7528573
	MOLDING, R. SADDLEBAG SIDE (LOWER) *NHA27M* (BILLET SILVER METALLIC).....	5 5A	-----	-----	1	81281-MCA-000ZR	7794993
	MOLDING, R. SADDLEBAG SIDE (LOWER) *PB356M* (NOVA BLUE METALLIC).....	5 5A	-----	-----	1	81281-MCA-000ZT	7795008
	MOLDING, R. SADDLEBAG SIDE (LOWER) *NHA45M* (PORTLAND GRAY METALLIC)	5 5A	-----	-----	1	81281-MCA-000ZU	7795016
17	MOLDING, R. RR. SADDLEBAG (LOWER) *Y130P* (PEARL HOT ROD YELLOW) ..	5 5A	-----	-----	1	81282-MCA-000ZD	6541395

SADDLEBAG



5 =GL1800'05
5A=GL1800A'05

F-46

Frame
Serial Number

Ref	Description	Model	From	To	QTY	Part Number	H/C
17	MOLDING, R. RR. SADDLEBAG (LOWER) *R287M* (BLOODSTONE RED METALLIC).....	5 5A	-----	-----	1	81282-MCA-000ZM	7528599
	MOLDING, R. RR. SADDLEBAG (LOWER) *NHA29* (ARCTIC WHITE)	5 5A	-----	-----	1	81282-MCA-000ZQ	7528623
	MOLDING, R. RR. SADDLEBAG (LOWER) *NHA27M* (BILLET SILVER METALLIC)	5 5A	-----	-----	1	81282-MCA-000ZR	7795024
	MOLDING, R. RR. SADDLEBAG (LOWER) *PB356M* (NOVA BLUE METALLIC)	5 5A	-----	-----	1	81282-MCA-000ZT	7795032
	MOLDING, R. RR. SADDLEBAG (LOWER) *NHA45M* (PORTLAND GRAY METALLIC).....	5 5A	-----	-----	1	81282-MCA-000ZU	7795040
18	GUIDE, STOPPER CABLE	5 5A	-----	-----	2	81292-MCA-000	6621114
19	ROD A, SADDLEBAG STRIKER	5 5A	-----	-----	2	81321-MCA-780	6776504
20	ROD B, SADDLEBAG STRIKER	5 5A	-----	-----	2	81322-MCA-780	6776512
21	RUBBER, SADDLEBAG SEAL.....	5 5A	-----	-----	2	81350-MCA-000	6621189
22	RUBBER, BACK PANEL SEAL	5 5A	-----	-----	2	81351-MCA-000	6541403
23	BODY, L. SADDLEBAG *Y130P* (PEARL HOT ROD YELLOW)	5 5A	-----	-----	1	81411-MCA-000ZD	6541445
	BODY, L. SADDLEBAG *R287M* (BLOODSTONE RED METALLIC).....	5 5A	-----	-----	1	81411-MCA-000ZM	7527286

SADDLEBAG

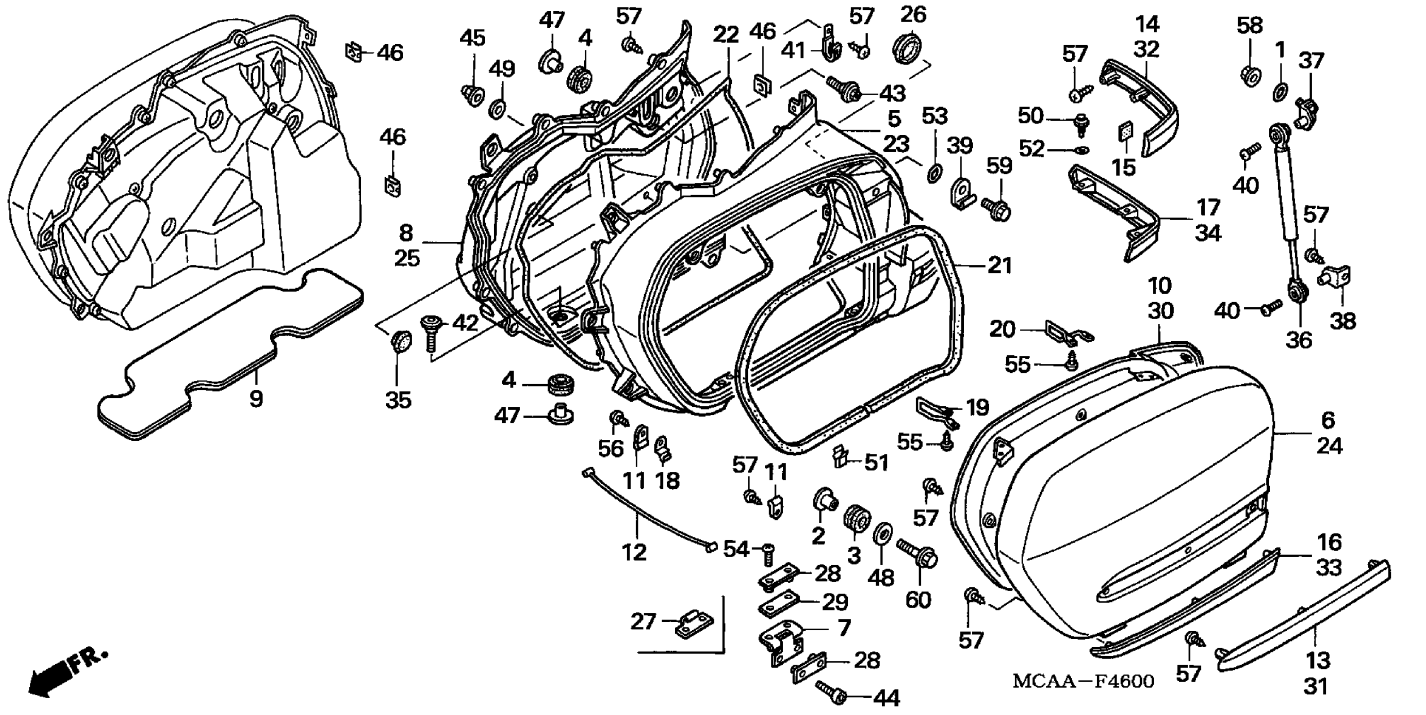
5 =GL1800'05
5A=GL1800A'05

F-46

Frame
Serial Number

Ref	Description	Model	From	To	QTY	Part Number	H/C
23	BODY, L. SADDLEBAG *NHA29* (ARCTIC WHITE).....	5 5A	-----	-----	1	81411-MCA-000ZQ	7527310
	BODY, L. SADDLEBAG *NHA27M* (BILLET SILVER METALLIC).....	5 5A	-----	-----	1	81411-MCA-000ZR	7795057
	BODY, L. SADDLEBAG *PB356M* (NOVA BLUE METALLIC)	5 5A	-----	-----	1	81411-MCA-000ZT	7795065
	BODY, L. SADDLEBAG *NHA45M* (PORTLAND GRAY METALLIC)	5 5A	-----	-----	1	81411-MCA-000ZU	7807175
24	LID, L. SADDLEBAG *Y130P* (PEARL HOT ROD YELLOW)	5 5A	-----	-----	1	81421-MCA-000ZD	6541486
	LID, L. SADDLEBAG *R287M* (BLOODSTONE RED METALLIC).....	5 5A	-----	-----	1	81421-MCA-000ZM	7527336
	LID, L. SADDLEBAG *NHA29* (ARCTIC WHITE).....	5 5A	-----	-----	1	81421-MCA-000ZQ	7527369
	LID, L. SADDLEBAG *NHA27M* (BILLET SILVER METALLIC).....	5 5A	-----	-----	1	81421-MCA-000ZR	7795073
	LID, L. SADDLEBAG *PB356M* (NOVA BLUE METALLIC)	5 5A	-----	-----	1	81421-MCA-000ZT	7795081
	LID, L. SADDLEBAG *NHA45M* (PORTLAND GRAY METALLIC)	5 5A	-----	-----	1	81421-MCA-000ZU	7807183
25	PANEL, L. SADDLEBAG	5 5A	-----	-----	1	81431-MCA-000	6541494
26	RUBBER, SADDLEBAG LIGHT	5 5A	-----	-----	2	81433-MCA-000	6541502
27	WASHER, HINGE SETTING	5 5A	-----	-----	1	81438-MCA-000	6621221
28	WASHER, HINGE SETTING	5 5A	-----	-----	7	81438-MN5-000	3100153
29	RUBBER, HINGE SEAL (UPPER)	5 5A	-----	-----	4	81439-MN5-000	3100161
30	INNER LID, L. SADDLEBAG	5 5A	-----	-----	1	81441-MCA-000	6541510
31	MOLDING, L. SADDLEBAG SIDE *Y130P* (PEARL HOT ROD YELLOW)	5 5A	-----	-----	1	81461-MCA-000ZD	6541551
	MOLDING, L. SADDLEBAG SIDE *R287M* (BLOODSTONE RED METALLIC).....	5 5A	-----	-----	1	81461-MCA-000ZM	7526536
	MOLDING, L. SADDLEBAG SIDE *NHA29* (ARCTIC WHITE)	5 5A	-----	-----	1	81461-MCA-000ZQ	7526569
	MOLDING, L. SADDLEBAG SIDE *NHA27M* (BILLET SILVER METALLIC)	5 5A	-----	-----	1	81461-MCA-000ZR	7795099
	MOLDING, L. SADDLEBAG SIDE *PB356M* (NOVA BLUE METALLIC)	5 5A	-----	-----	1	81461-MCA-000ZT	7795107
	MOLDING, L. SADDLEBAG SIDE *NHA45M* (PORTLAND GRAY METALLIC).....	5 5A	-----	-----	1	81461-MCA-000ZU	7795115

SADDLEBAG



MCAAF4600

5 =GL1800'05
5A=GL1800A'05

F-46

Frame
Serial Number

Ref	Description	Model	From	To	QTY	Part Number	H/C
32	MOLDING, L. RR. SADDLEBAG *Y130P* (PEARL HOT ROD YELLOW)	5 5A	-----	-----	1	81471-MCA-000ZD	6541593
	MOLDING, L. RR. SADDLEBAG *R287M* (BLOODSTONE RED METALLIC).....	5 5A	-----	-----	1	81471-MCA-000ZM	7526585
	MOLDING, L. RR. SADDLEBAG *NHA29* (ARCTIC WHITE)	5 5A	-----	-----	1	81471-MCA-000ZQ	7526619
	MOLDING, L. RR. SADDLEBAG *NHA27M* (BILLET SILVER METALLIC).....	5 5A	-----	-----	1	81471-MCA-000ZR	7795123
	MOLDING, L. RR. SADDLEBAG *PB356M* (NOVA BLUE METALLIC)	5 5A	-----	-----	1	81471-MCA-000ZT	7795131
	MOLDING, L. RR. SADDLEBAG *NHA45M* (PORTLAND GRAY METALLIC)	5 5A	-----	-----	1	81471-MCA-000ZU	7795149
33	MOLDING, L. SADDLEBAG SIDE (LOWER) *Y130P* (PEARL HOT ROD YELLOW)	5 5A	-----	-----	1	81481-MCA-000ZD	6542112
	MOLDING, L. SADDLEBAG SIDE (LOWER) *R287M* (BLOODSTONE RED METALLIC)	5 5A	-----	-----	1	81481-MCA-000ZM	7528649
	MOLDING, L. SADDLEBAG SIDE (LOWER) *NHA29* (ARCTIC WHITE)	5 5A	-----	-----	1	81481-MCA-000ZQ	7528672

SADDLEBAG

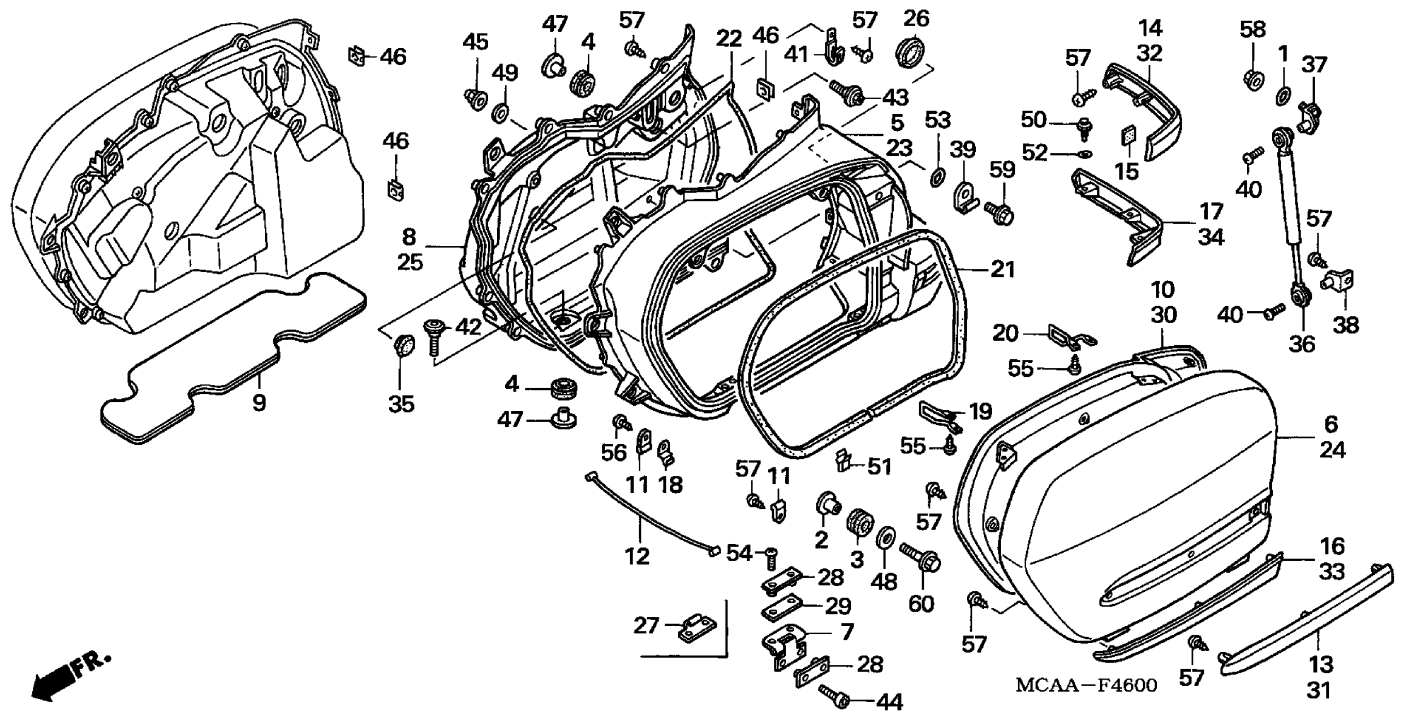
5 =GL1800'05
5A=GL1800A'05

F-46

Frame
Serial Number

Ref	Description	Model	From	To	QTY	Part Number	H/C
33	MOLDING, L. SADDLEBAG SIDE (LOWER) *NHA27M* (BILLET SILVER METALLIC).....	5 5A	-----	-----	1	81481-MCA-000ZR	7795156
	MOLDING, L. SADDLEBAG SIDE (LOWER) *PB356M* (NOVA BLUE METALLIC).....	5 5A	-----	-----	1	81481-MCA-000ZT	7795164
	MOLDING, L. SADDLEBAG SIDE (LOWER) *NHA45M* (PORTLAND GRAY METALLIC)	5 5A	-----	-----	1	81481-MCA-000ZU	7795172
34	MOLDING, L. RR. SADDLEBAG (LOWER) *Y130P* (PEARL HOT ROD YELLOW) ..	5 5A	-----	-----	1	81482-MCA-000ZD	6542153
	MOLDING, L. RR. SADDLEBAG (LOWER) *R287M* (BLOODSTONE RED METALLIC).....	5 5A	-----	-----	1	81482-MCA-000ZM	7528698
	MOLDING, L. RR. SADDLEBAG (LOWER) *NHA29* (ARCTIC WHITE)	5 5A	-----	-----	1	81482-MCA-000ZQ	7528722
	MOLDING, L. RR. SADDLEBAG (LOWER) *NHA27M* (BILLET SILVER METALLIC)	5 5A	-----	-----	1	81482-MCA-000ZR	7795180
	MOLDING, L. RR. SADDLEBAG (LOWER) *PB356M* (NOVA BLUE METALLIC)	5 5A	-----	-----	1	81482-MCA-000ZT	7795198
	MOLDING, L. RR. SADDLEBAG (LOWER) *NHA45M* (PORTLAND GRAY METALLIC).....	5 5A	-----	-----	1	81482-MCA-000ZU	7795206
35	GROMMET, DRAIN HOLE (25MM)	5 5A	-----	-----	2	82871-671-000	0611186
36	DAMPER, OPENNER.....	5 5A	-----	-----	2	83590-MCA-003	6621403
37	PLATE, DAMPER MOUNTING (UPPER)....	5 5A	-----	-----	2	83591-MCA-000	6539746
38	PLATE, DAMPER MOUNTING (LOWER) ..	5 5A	-----	-----	2	83592-MCA-000	6539753
39	STAY, TOOL SETTING (A)	5 5A	-----	-----	1	89106-MM5-000	2810422
40	SCREW, PAN (5X12)	5 5A	-----	-----	4	90104-964-000	1423714
41	CLIP, TUBE	5 5A	-----	-----	6	90106-KJ6-740	1810654
42	SCREW, SPECIAL (6MM)	5 5A	-----	-----	4	90109-MCA-000	6621635
43	SCREW, SPECIAL (6MM)	5 5A	-----	-----	2	90119-MCA-000	6621742
44	BOLT, TORX (5X14).....	5 5A	-----	-----	8	90131-MY3-781	4048369
45	NUT, CAP (6MM)	5 5A	-----	-----	1	90201-428-900	1544782
46	NUT, SPRING (6MM)	5 5A	-----	-----	4	90320-MM5-000	2551943
47	COLLAR, SADDLEBAG MOUNTING.....	5 5A	-----	-----	6	90501-MCA-000	6622054
48	WASHER, FENDER SETTING.....	5 5A	-----	-----	2	90506-430-000	0681023
49	WASHER (6X20)	5 5A	-----	-----	1	90512-KF9-900	2519403

SADDLEBAG



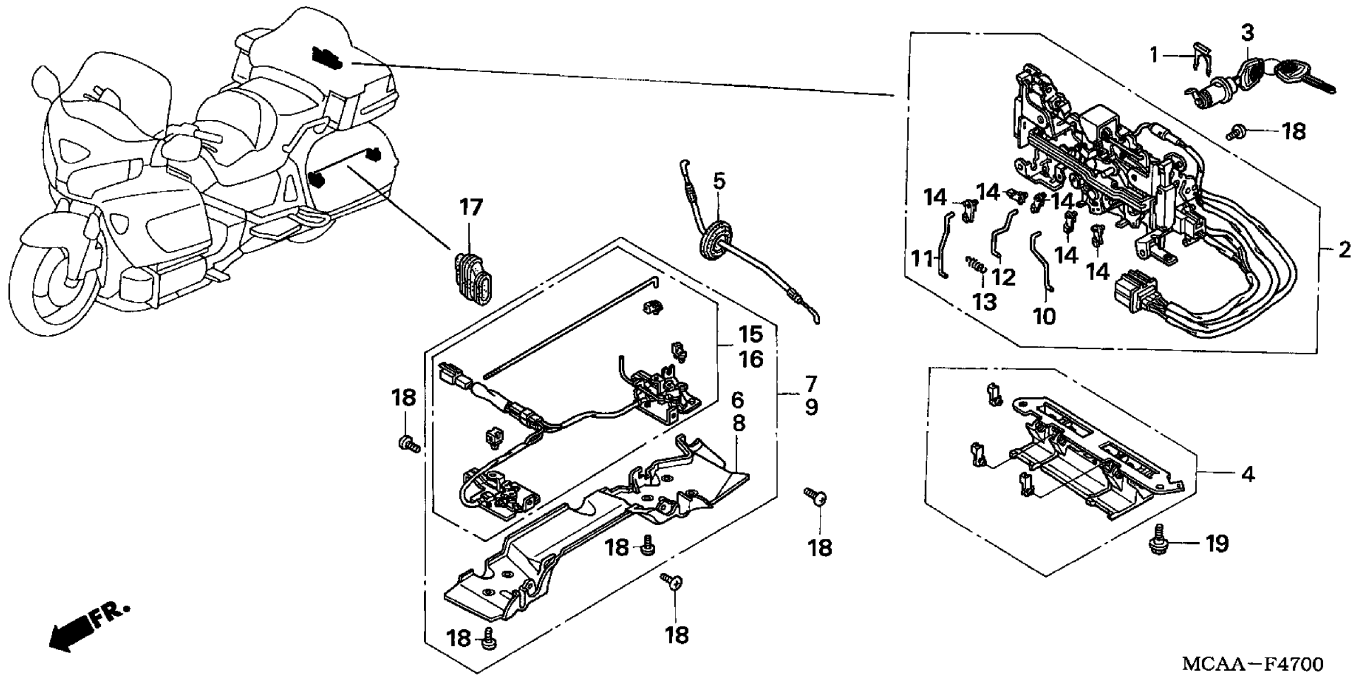
5 =GL1800'05
5A=GL1800A'05

F-46

Frame
Serial Number

Ref	Description	Model	From	To	QTY	Part Number	H/C
50	CLIP, MOLDING (LOWER)	5 5A	-----	-----	6	90654-MCA-000	6622138
51	CLIP, SADDLEBAG	5 5A	-----	-----	2	90655-MCA-000	6622146
52	O-RING (6X1.7)	5 5A	-----	-----	6	91317-171-003	1078252
53	O-RING (8.5X1.5).....	5 5A	-----	-----	1	91352-GAZ-930	6622435
54	SCREW, PAN (5X14).....	5 5A	-----	-----	8	93500-05014-0G	1083252
55	SCREW, TAPPING (5X16).....	5 5A	-----	-----	8	93901-25380	1172030
56	SCREW, TAPPING (4X10).....	5 5A	-----	-----	2	93903-24280	0562082
57	SCREW, TAPPING (5X12).....	5 5A	-----	-----	56	93903-25280	0563981
58	NUT, FLANGE (5MM).....	5 5A	-----	-----	2	94050-05000	0636951
59	BOLT, FLANGE (6X12)	5 5A	-----	-----	1	96001-06012-07	2105948
60	BOLT, FLANGE (6X30)	5 5A	-----	-----	2	96001-06030-00	2537041

OPENER UNIT



MCAA-F4700

MCAAF4700

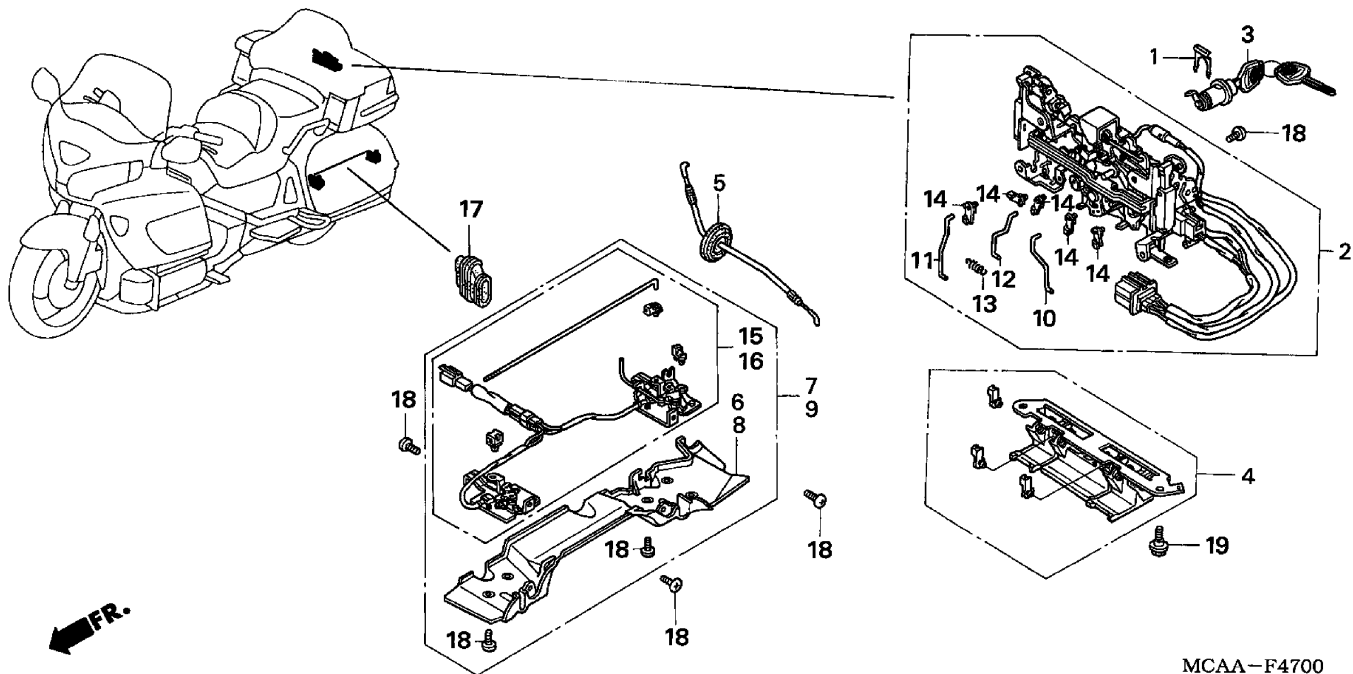
5 =GL1800'05
5A=GL1800A'05

F-47

Frame
Serial Number

Ref	Description	Model	From	To	QTY	Part Number	H/C
1	SPRING, LOCK KEY SETTING	5 5A	-----	-----	1	37222-MCA-000	6619670
2	OPENER UNIT	5 5A	-----	-----	1	81310-MCA-A22	7700768
3	LOCK ASSY., OPENER UNIT	5 5A	-----	-----	1	81312-MCA-003	6536940
4	LEVER ASSY., LUGGAGE BAG	5 5A	-----	-----	1	81335-MCA-003	6621163
5	CABLE, SADDLEBAG OPENER	5 5A	-----	-----	2	81345-MCA-003	6621171
6	COVER, R. SADDLEBAG CATCH	5 5A	-----	-----	1	81360-MCA-000	6621197
7	CATCH ASSY., R. SADDLEBAG	5 5A	-----	-----	1	81361-MCA-003	6654131
8	COVER, L. SADDLEBAG CATCH	5 5A	-----	-----	1	81370-MCA-000	6621205
9	CATCH ASSY., L. SADDLEBAG	5 5A	-----	-----	1	81371-MCA-003	6654149
10	ROD, L.	5 5A	-----	-----	1	81381-MCA-003	6762512
11	ROD, R.	5 5A	-----	-----	1	81382-MCA-003	6762520
12	ROD, CENTER	5 5A	-----	-----	1	81383-MCA-003	6762538
13	SPRING	5 5A	-----	-----	4	81384-MCA-003	6762546
14	SNAP	5 5A	-----	-----	5	81385-MCA-003	6762553
15	CATCH SET, R. SADDLEBAG	5 5A	-----	-----	1	81386-MCA-003	6762561
16	CATCH SET, L. SADDLEBAG	5 5A	-----	-----	1	81396-MCA-003	6762579
17	GROMMET, CATCH ROD	5 5A	-----	-----	2	81399-MCA-000	6621213
18	SCREW, PAN (5X12)	5 5A	-----	-----	23	90104-964-000	1423714

OPENER UNIT



MCAA-F4700

MCAAF4700

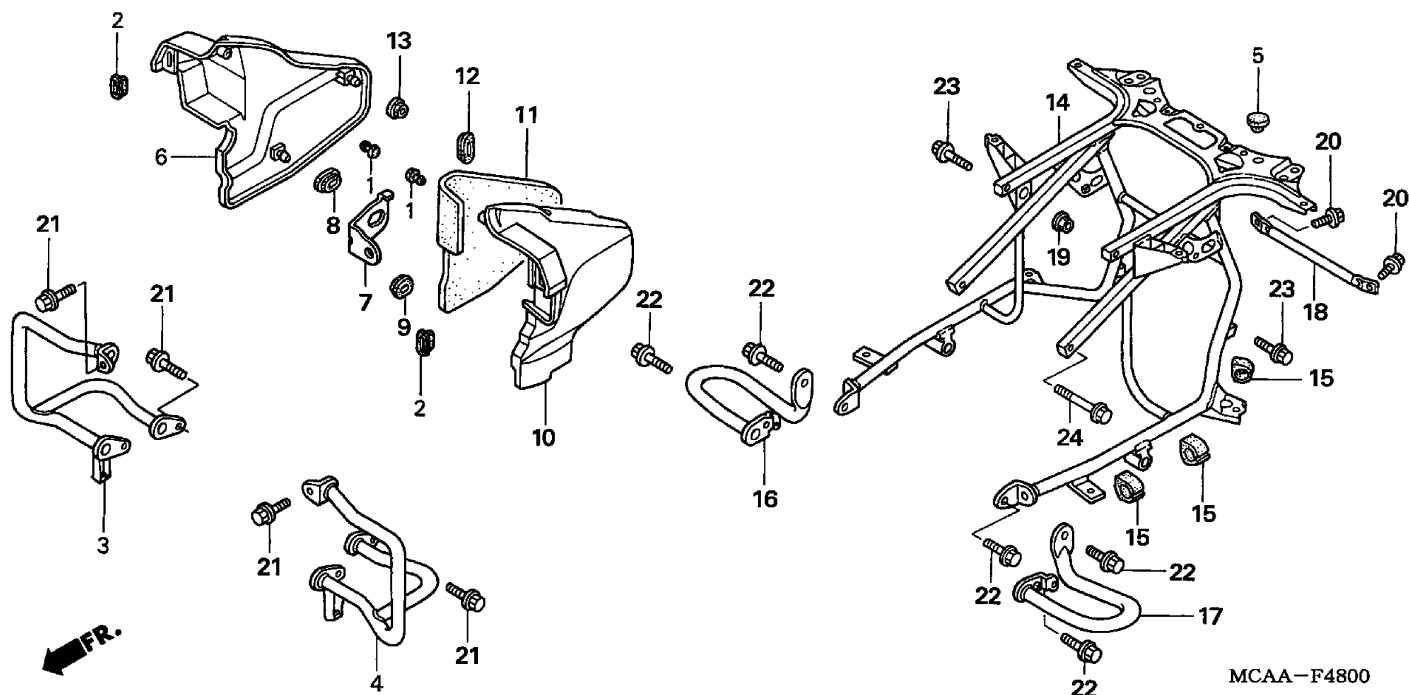
5 =GL1800'05
5A=GL1800A'05

F-47

Frame
Serial Number

Ref	Description	Model	From	To	QTY	Part Number	H/C
19	BOLT, FLANGE (6MM).....	5 5A	-----	-----	2	90111-197-890	3141611

ENGINE GUARD



MCAA-F4800

MCAAF4800

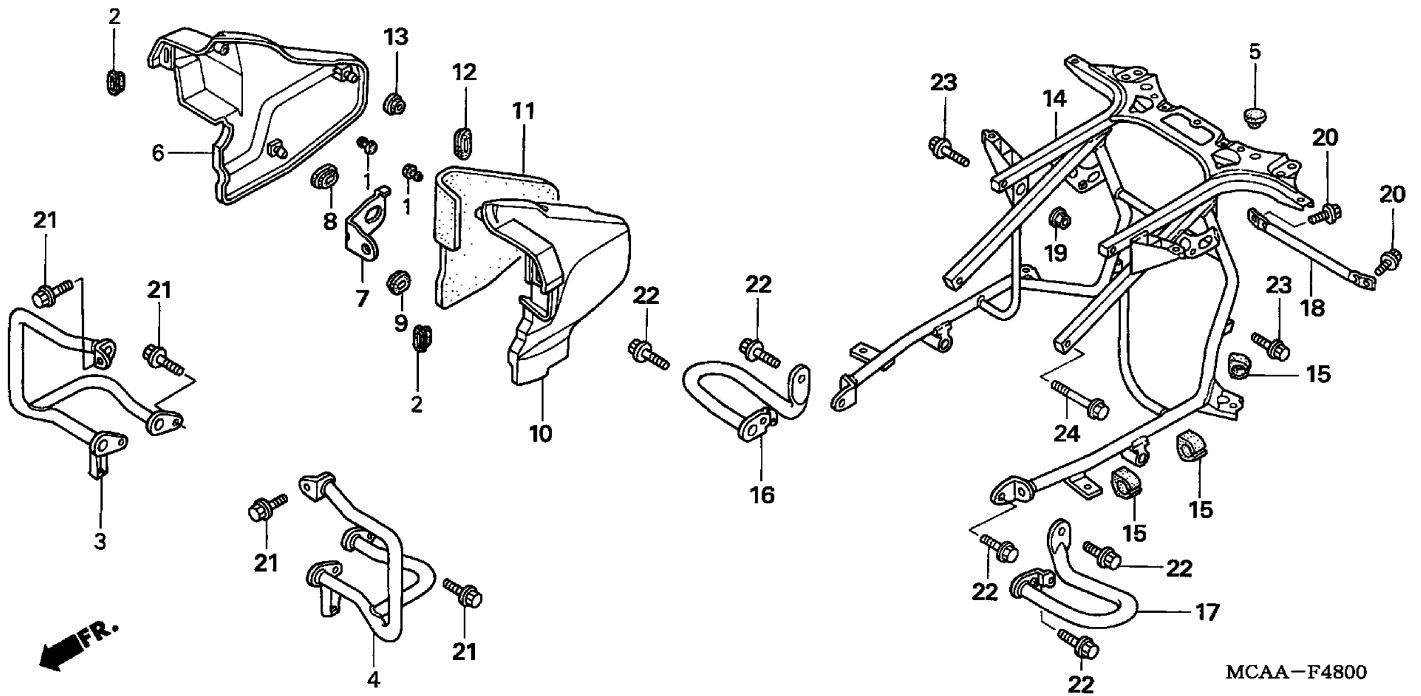
5 =GL1800'05
5A=GL1800A'05

F-48

Frame
Serial Number

Ref	Description	Model	From	To	QTY	Part Number	H/C
1	RUBBER, TENSIONER ARM.....	5 5A	-----	-----	2	61112-727-000	3794351
2	RUBBER, HEADLIGHT CASE MOUNTING	5 5A	-----	-----	2	61313-KC5-000	5267323
3	GUARD, R. ENGINE	5 5A	-----	-----	1	62501-MCA-000	6536825
4	GUARD, L. ENGINE.....	5 5A	-----	-----	1	62601-MCA-000	6536833
5	RUBBER, SEAT STOPPER.....	5 5A	-----	-----	2	77211-965-000	1404433
6	COVER, R. ENGINE SIDE.....	5 5A	-----	-----	1	83511-MCA-A00	7084684
7	STAY, R. ENGINE SIDE COVER.....	5 5A	-----	-----	1	83512-MCA-A00	7062136
8	GROMMET, AIR CLEANER HOUSING	5 5A	-----	-----	1	83551-GE2-000	1406164
9	GROMMET, AIR CLEANER HOUSING	5 5A	-----	-----	1	83551-300-000	0204990
10	COVER, L. ENGINE SIDE	5 5A	-----	-----	1	83561-MCA-A00	7084692
11	MAT, L. ENGINE SIDE COVER.....	5 5A	-----	-----	1	83564-MCA-D00	7061161
12	GROMMET A, SIDE COVER	5 5A	-----	-----	1	83601-MB0-000	1250455
13	GROMMET, SIDE COVER.....	5 5A	-----	-----	1	83601-MN5-000	2810133
14	STAY, SADDLEBAG	5 5A	-----	-----	1	84100-MCA-000	6542823
15	RUBBER, SADDLEBAG MOUNTING	5 5A	-----	-----	6	84128-MCA-000	6621429
16	PIPE, R. SADDLEBAG GUARD.....	5 5A	-----	-----	1	84130-MCA-000	6536841
17	PIPE, L. SADDLEBAG GUARD	5 5A	-----	-----	1	84140-MCA-000	6536858
18	PIPE, RR. FRAME END	5 5A	-----	-----	1	84201-MCA-000	6543334

ENGINE GUARD



MCAA-F4800

MCAAF4800

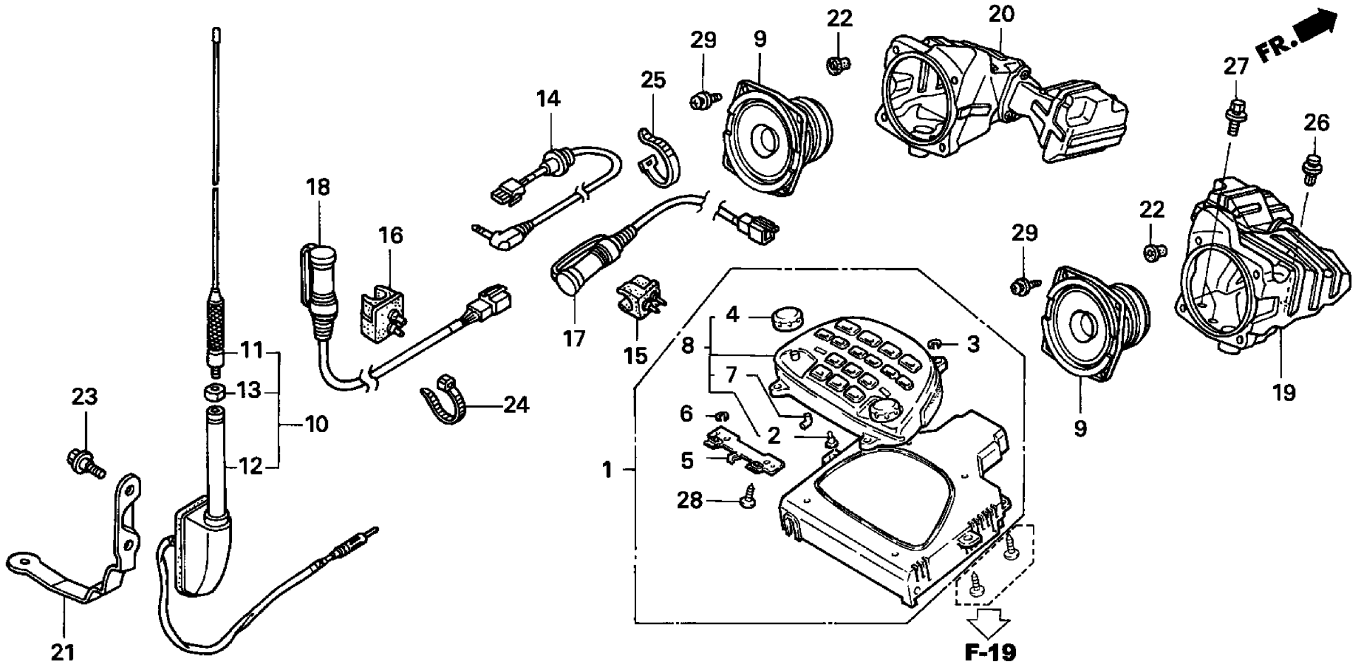
5 =GL1800'05
5A=GL1800A'05

F-48

Frame
Serial Number

Ref	Description	Model	From	To	QTY	Part Number	H/C
19	NUT, FLANGE (8MM).....	5 5A	-----	-----	2	94050-08000	0481143
20	BOLT, FLANGE (6X10)	5 5A	-----	-----	2	96300-06010-07	2687937
21	BOLT, FLANGE (8X25)	5 5A	-----	-----	6	96300-08025-00	1829969
22	BOLT, FLANGE (8X20)	5 5A	-----	-----	6	96300-08020-00	2043339
	BOLT, FLANGE (8X20)	5 5A	-----	-----	6	96400-08020-00	2138170
23	BOLT, FLANGE (8X40)	5 5A	-----	-----	2	96400-08040-00	2209773
24	BOLT, FLANGE (8X45)	5 5A	-----	-----	2	96400-08045-00	2159796

RADIO



MCAA-F4900
MCAAF4900

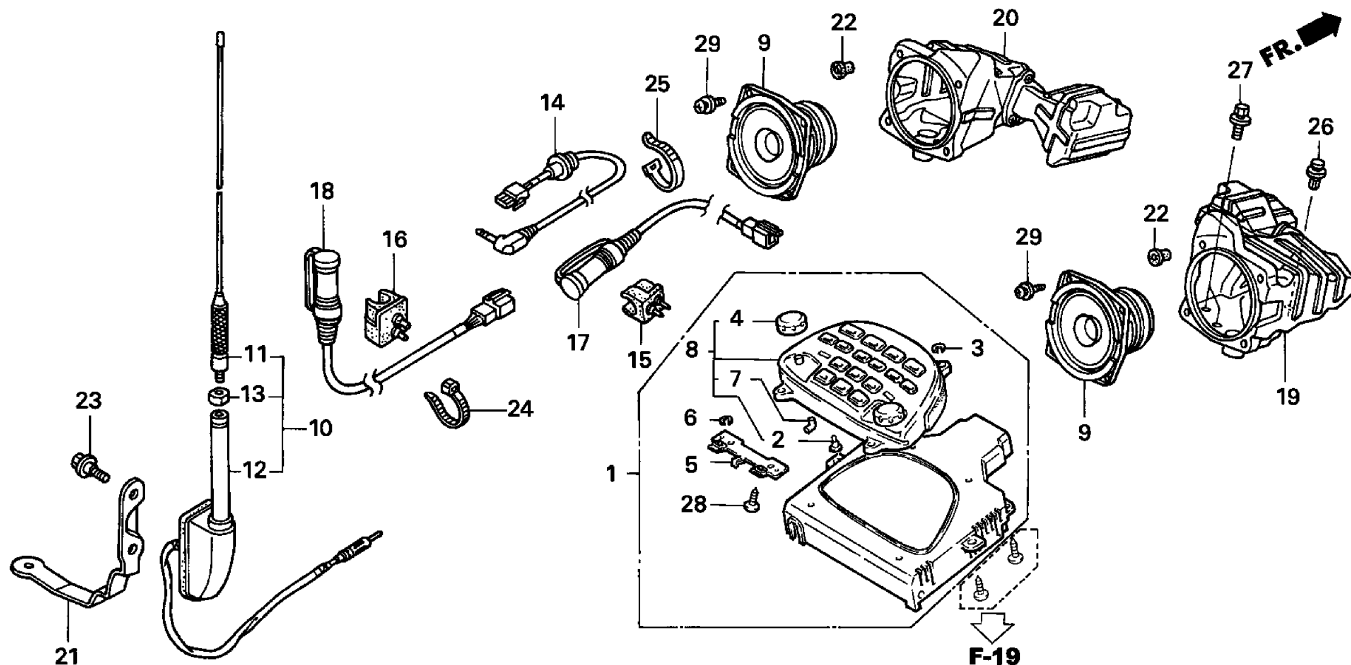
5 =GL1800'05
5A=GL1800A'05

F-49

Frame
Serial Number

Ref	Description	Model	From	To	QTY	Part Number	H/C
1	AUDIO UNIT	5 5A	-----	-----	1	39110-MCA-A40	7794175
2	BULB, NEO-WEDGE	5 5A	-----	-----	6	39111-MCA-671	7119290
3	SCREW, WASHER.....	5 5A	-----	-----	4	39112-MCA-671	7119308
4	KNOB (AUDIO).....	5 5A	-----	-----	2	39113-MCA-671	7119316
5	STAY, TOP SHELTER	5 5A	-----	-----	1	39114-MCA-671	7119324
6	SCREW, WASHER.....	5 5A	-----	-----	2	39115-MCA-671	7119332
7	PIPE, DRAIN	5 5A	-----	-----	2	39116-MCA-671	7119340
8	CASE (UPPER)	5 5A	-----	-----	1	39120-MCA-671	7119357
9	SPEAKER UNIT (FR).....	5 5A	-----	-----	2	39130-MCA-003	6637136
10	ANTENNA ASSY., RADIO	5 5A	-----	-----	1	39150-MCA-003	6638894
11	ELEMENT, ANTENNA	5 5A	-----	-----	1	39151-MCA-000	6538870
12	FEEDER, ANTENNA	5 5A	-----	-----	1	39152-MCA-000	6538904
13	NUT, ANTENNA.....	5 5A	-----	-----	1	39153-MM5-003	2807030
14	CORD (AUX)	5 5A	-----	-----	1	39170-MCA-000	6619803
15	CONNECTOR, FR. HOLDER.....	5 5A	-----	-----	1	39242-MCA-000	6619837
16	CONNECTOR, RR. HOLDER	5 5A	-----	-----	1	39243-MCA-000	6619845
17	LEAD, DRIVER HEADSET JUNCTION	5 5A	-----	-----	1	39245-MCA-003	6619852

RADIO



MCAA-F4900
MCAAF4900

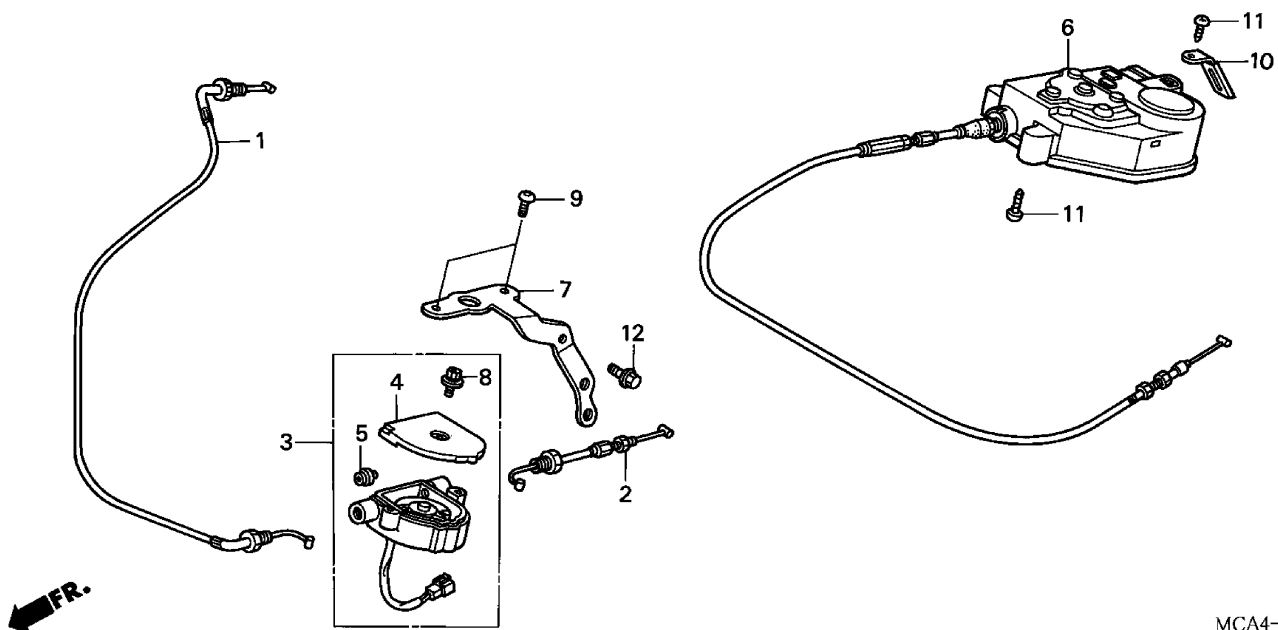
5 =GL1800'05
5A=GL1800A'05

F-49

Frame
Serial Number

Ref	Description	Model	From	To	QTY	Part Number	H/C
18	LEAD, PASSENGER HEADSET JUNCTION	5 5A	-----	-----	1	39246-MCA-003	6619860
19	BOX ASSY., R. SPEAKER.....	5 5A	-----	-----	1	64231-MCA-000	6638902
20	BOX ASSY., L. SPEAKER	5 5A	-----	-----	1	64236-MCA-000	6638910
21	PLATE, ANTENNA SETTING.....	5 5A	-----	-----	1	81175-MCA-000	6621031
22	NUT, COWL SETTING (5MM)	5 5A	-----	-----	8	90111-KW3-003	2909141
23	BOLT, FLANGE (6MM).....	5 5A	-----	-----	2	90139-MCA-000	6654180
24	BAND, WIRE	5 5A	-----	-----	1	90651-KV6-003	2576296
25	BAND, WIRE	5 5A	-----	-----	1	90652-KT1-771	2710416
26	CLIP, SPLASH	5 5A	-----	-----	4	90657-SB0-003	1477280
27	BOLT-WASHER (6X12)	5 5A	-----	-----	4	93404-06012-07	2535292
	BOLT-WASHER (6X12)	5 5A	-----	-----	4	93404-06012-08	2498764
28	SCREW-WASHER (5X10)	5 5A	-----	-----	2	93891-05010-08	0671636
29	SCREW-WASHER (5X16)	5 5A	-----	-----	8	93892-05016-08	0634733

AUTO CRUISE



MCA4- F5000

MCA4F5000

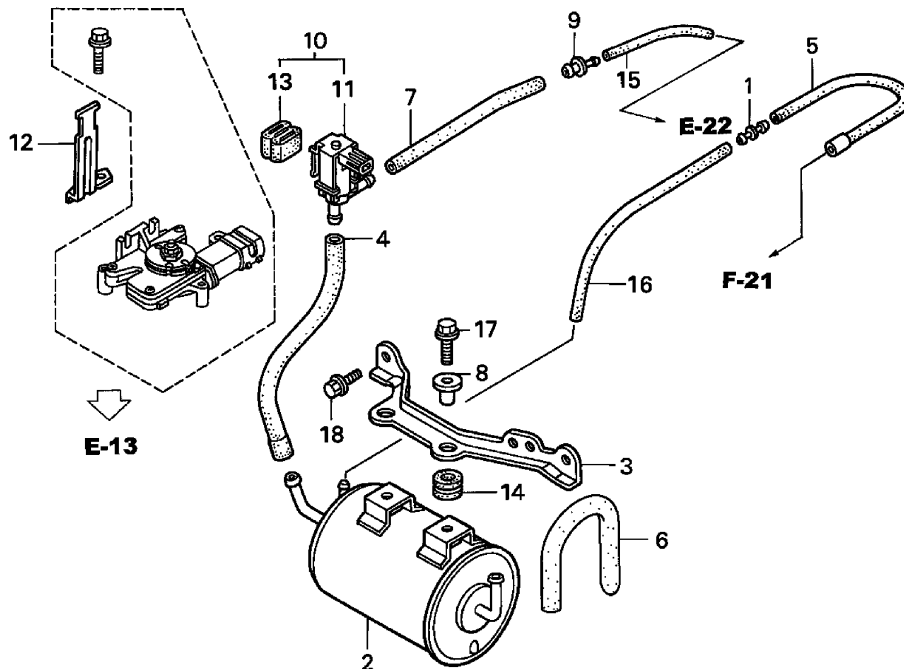
5 =GL1800'05
5A=GL1800A'05

F-50

Frame
Serial Number

Ref	Description	Model	From	To	QTY	Part Number	H/C
1	CABLE B, THROTTLE	5 5A	-----	-----	1	17920-MCA-000	6618011
2	CABLE C, THROTTLE	5 5A	-----	-----	1	17930-MCA-000	6618029
3	SWITCH ASSY., GRIP CANCEL	5 5A	-----	-----	1	35360-MCA-A01	7229768
4	COVER, GRIP CANCEL SWITCH	5 5A	-----	-----	1	35366-MCA-003	6619555
5	GROMMET	5 5A	-----	-----	1	35367-MCA-A01	7229776
6	ACTUATOR ASSY.	5 5A	-----	-----	1	36520-MCA-A01	7217516
7	STAY, P.C.V.	5 5A	-----	-----	1	50307-MCA-000	6620264
8	BOLT-WASHER (5X16)	5 5A	-----	-----	1	90091-SC3-960	2371458
9	SCREW, PAN (6X14)	5 5A	-----	-----	2	90118-MR1-000	2866127
10	CLIP (4X50)	5 5A	-----	-----	1	90601-KJ9-000	1702893
11	SCREW, TAPPING (4X2).....	5 5A	-----	-----	4	93913-14580	3685971
12	BOLT, FLANGE (6X14)	5 5A	-----	-----	1	96001-06014-07	2532729

EVAP CANISTER



MCAA-F5100

MCAA5100

5 =GL1800'05
5A=GL1800A'05

F-51

Frame
Serial Number

Ref	Description	Model	From	To	QTY	Part Number	H/C
1	JOINT, FUEL TUBE	5 5A	-----	-----	1	16958-GJ6-000	2403467
2	CANISTER	5 5A	-----	-----	1	17410-MCA-A00	7113277
3	STAY, CANISTER	5 5A	-----	-----	1	17411-MCA-000	6617922
4	TUBE (PCS-CANISTER)	5 5A	-----	-----	1	17412-MCA-000	6538292
5	TUBE A, AIR BREATHER	5 5A	-----	-----	1	17413-MCA-000	6538300
6	TUBE B, AIR BREATHER	5 5A	-----	-----	1	17414-MCA-000	6538359
7	TUBE C, AIR BREATHER	5 5A	-----	-----	1	17415-MCA-000	6538367
8	COLLAR, RESERVE TANK SETTING.....	5 5A	-----	-----	2	19107-415-000	0905521
9	JOINT, TUBE	5 5A	-----	-----	1	19126-KM1-010	3225315
10	VALVE ASSY., PURGE CONTROL SOLENOID	5 5A	-----	-----	1	36160-P8E-A02	6218804
11	VALVE, PURGE CONTROL SOLENOID	5 5A	-----	-----	1	36162-P8E-A02	6986319
12	STAY, P.C.S.	5 5A	-----	-----	1	36165-MCA-000	6565121
13	RUBBER, MOUNT	5 5A	-----	-----	1	36166-POA-A01	4319125
14	RUBBER, CONTROL BOX.....	5 5A	-----	-----	2	90852-898-000	1106814
15	BULK HOSE, VACUUM (3.5X1000) (3.5X120)	5 5A	-----	-----	1	95005-35001-20M	5137153
16	BULK HOSE, VACUUM (4.5X1000) (4.5X860)	5 5A	-----	-----	1	95005-45001-20M	4983714

EVAP CANISTER

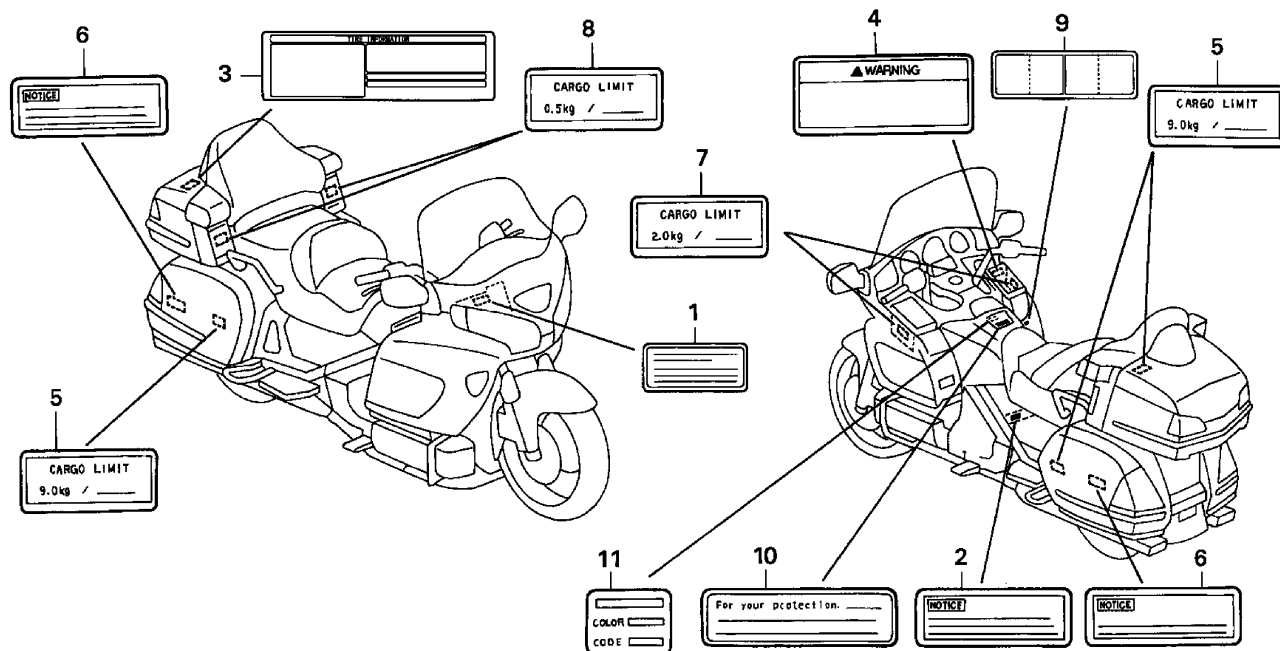
5 =GL1800'05
5A=GL1800A'05

F-51

Frame
Serial Number

Ref	Description	Model	From	To	QTY	Part Number	H/C
17	BOLT, FLANGE (6X20)	5 5A	-----	-----	2	95701-06020-00	2105815
18	BOLT, FLANGE (6X14)	5 5A	-----	-----	2	96001-06014-00	2154672

CAUTION LABEL



MCAA-F5200

MCAAF5200

5 =GL1800'05
5A=GL1800A'05

F-52

Frame
Serial Number

Ref	Description	Model	From	To	QTY	Part Number	H/C
2	LABEL, ALTERNATOR	5 5A	-----	-----	1	31115-MAM-300	4517983
3	LABEL, TIRE	5 5A	-----	-----	1	87505-MCA-A00	7084718
4	LABEL, LOADING	5 5A	-----	-----	1	87512-MCA-A00	7084775
5	LABEL, CARGO LIMIT (9.0KG)	5 5A	-----	-----	3	87520-MZ3-300	4104311
6	LABEL, SADDLEBAG.....	5 5A	-----	-----	2	87521-MZ3-300	4104329
7	LABEL, CARGO LIMIT (2.0KG)	5 5A	-----	-----	2	87523-MZ3-300	4104337
8	LABEL, CARGO LIMIT (0.5KG)	5 5A	-----	-----	2	87525-MZ3-300	4104345
10	LABEL, DRIVE	5 5A	-----	-----	1	87560-MZ0-670	5026463
11	LABEL, COLOR (TYPE1).....	5	-----	-----	1	87565-MCA-A40ZA	7841752
	LABEL, COLOR (TYPE2).....	5	-----	-----	1	87565-MCA-A40ZB	7797897
	LABEL, COLOR (TYPE3).....	5	-----	-----	1	87565-MCA-A40ZC	7797905
	LABEL, COLOR (TYPE4).....	5	-----	-----	1	87565-MCA-A40ZD	7797913
	LABEL, COLOR (TYPE5).....	5	-----	-----	1	87565-MCA-A40ZE	7797921
	LABEL, COLOR (TYPE6).....	5	-----	-----	1	87565-MCA-A40ZF	7797939
	LABEL, COLOR (TYPE2).....	5A	-----	-----	1	87565-MCA-A50ZB	7797954
	LABEL, COLOR (TYPE3).....	5A	-----	-----	1	87565-MCA-A50ZC	7797962
	LABEL, COLOR (TYPE5).....	5A	-----	-----	1	87565-MCA-A50ZE	7797988
	LABEL, COLOR (TYPE6).....	5A	-----	-----	1	87565-MCA-A50ZF	7797996

CAUTION LABEL

5 =GL1800'05
5A=GL1800A'05

F-52

Frame
Serial Number

Ref	Description	Model	From	To	QTY	Part Number	H/C
11	LABEL, COLOR (TYPE8).....	5A	-----	-----	1	87565-MCA-A50ZH	7798010
	LABEL, COLOR (TYPE9).....	5A	-----	-----	1	87565-MCA-A50ZJ	7798028

Part Number Index

PART NUMBER INDEX

Part Number	Grid	Page	Part Number	Grid	Page	Part Number	Grid	Page
(0)			13041-MCA-306	1-C16	1-32	14904-KT7-013	1-C3	1-6
06431-MA3-405	1-E14	2-28	13051-MCA-305	1-C16	1-32	14905-KT7-013	1-C3	1-6
	1-F2	2-36	13051-MCA-306	1-C16	1-32	14906-KT7-013	1-C3	1-6
06435-MCA-006	1-F2	2-36	13101-MCA-000	1-C16	1-32	14907-KT7-013	1-C3	1-6
06451-GE2-405	1-E12	2-24	13102-MCA-000	1-C16	1-32	14908-KT7-013	1-C3	1-6
	1-E13	2-26	13103-MCA-306	1-C16	1-32	14909-KT7-013	1-C3	1-7
06451-MZ2-405	1-E12	2-24	13104-MCA-306	1-C16	1-32	14910-KT7-013	1-C3	1-7
	1-E13	2-26	13105-MCA-306	1-C16	1-32	14911-KT7-013	1-C3	1-7
	1-E14	2-28	13106-MCA-306	1-C16	1-32	14912-KT7-013	1-C3	1-7
	1-F2	2-36	13107-MCA-306	1-C16	1-32	14913-KT7-013	1-C3	1-7
06453-MBG-405	1-E12	2-24	13108-MCA-306	1-C16	1-32	14914-KT7-013	1-C3	1-7
06455-MCA-006	1-E14	2-28	13109-MCA-306	1-C16	1-33	14915-KT7-013	1-C3	1-7
06456-MCA-006	1-E12	2-24	13110-MCA-306	1-C16	1-33	14916-KT7-013	1-C3	1-7
	1-E13	2-26	13111-892-000	1-C11	1-23	14917-KT7-013	1-C3	1-7
06910-MCA-000	1-F3	2-39	13111-MCA-780	1-C16	1-33	14918-KT7-013	1-C3	1-7
(1)			13201-MCA-000	1-C16	1-33	14919-KT7-013	1-C3	1-7
11000-MEC-000	1-C15	1-30	13213-MS2-610	1-C16	1-33	14920-KT7-013	1-C3	1-7
11152-KS4-003	1-E5	2-10	13214-MN5-003	1-C16	1-33	14921-KT7-013	1-C3	1-7
11332-ML7-670	1-C6	1-13	13215-ML7-000	1-C16	1-33	14922-KT7-013	1-C3	1-7
11338-KJ9-751	1-G5	2-74	13215-MN5-003	1-C16	1-33	14923-KT7-013	1-C3	1-7
11351-MCA-000	1-C7	1-15	13216-MN5-003	1-C16	1-33	14924-KT7-013	1-C3	1-7
11354-MCA-780	1-C7	1-15	13217-MN5-003	1-C16	1-33	14925-KT7-013	1-C3	1-7
11361-MEC-000	1-C6	1-13	13218-MN5-003	1-C16	1-33	14926-KT7-013	1-C3	1-7
11370-MEC-000	1-C7	1-15	13310-MCA-780	1-C16	1-33	14927-KT7-013	1-C3	1-7
11391-MCA-000	1-C6	1-13	13312-MN5-003	1-C16	1-33	14928-KT7-013	1-C3	1-7
11511-MCA-000	1-C6	1-13	13314-MCA-003	1-C16	1-33	14929-KT7-013	1-C3	1-7
11524-MCA-000	1-C6	1-13	13315-MCA-003	1-C16	1-33	14930-KT7-013	1-C3	1-7
12010-MCA-A20	1-C2	1-4	13316-MCA-003	1-C16	1-33	14931-KT7-013	1-C3	1-7
12020-MCA-A20	1-C2	1-4	13317-MCA-003	1-C16	1-33	14932-KT7-013	1-C3	1-7
12204-MCA-P00	1-C2	1-4	13318-MCA-003	1-C16	1-33	14933-KT7-013	1-C3	1-7
12209-MA6-003	1-C3	1-6	13320-MCA-780	1-C13	1-26	14934-KT7-013	1-C3	1-7
12251-MCA-781	1-C2	1-4	13430-MCA-780	1-C13	1-26	14935-KT7-013	1-C3	1-7
12252-MCA-781	1-C2	1-4	13534-MCA-000	1-C13	1-26	14936-KT7-013	1-C3	1-7
12311-MCA-000	1-C1	1-2	14110-MCA-780	1-C3	1-6	14937-KT7-013	1-C3	1-7
12321-MCA-000	1-C1	1-2	14120-MCA-780	1-C3	1-6	14938-KT7-013	1-C3	1-7
12322-MCA-A20	1-C1	1-2	14312-MCA-780	1-C5	1-10	14939-KT7-013	1-C3	1-7
12361-035-000	1-F3	2-39	14321-MCA-780	1-C5	1-10	14940-KT7-013	1-C3	1-7
12361-300-000	1-F3	2-39	14322-MCA-000	1-C5	1-10	14941-KT7-013	1-C3	1-7
12361-371-980	1-F3	2-39	14401-MAN-621	1-C5	1-10	14942-KT7-013	1-C3	1-7
12391-MCA-000	1-C1	1-2	14405-MCA-000	1-C5	1-10	14943-KT7-013	1-C4	1-8
12392-MJ0-000	1-C1	1-2	14500-MCA-000	1-C5	1-10	14944-KT7-013	1-C4	1-8
12411-MCA-000	1-C1	1-2	14510-MCA-000	1-C5	1-10	14945-KT7-013	1-C4	1-8
12421-MCA-000	1-C1	1-2	14516-MCA-000	1-C5	1-10	14946-KT7-013	1-C4	1-8
12422-MCA-A20	1-C1	1-2	14520-MCA-003	1-C5	1-10	14947-KT7-013	1-C4	1-8
12491-MCA-000	1-C1	1-2	14560-MY5-851	1-C5	1-10	14948-KT7-013	1-C4	1-8
13011-MCA-305	1-C16	1-32	14620-MCA-A00	1-C5	1-10	14949-KT7-013	1-C4	1-8
13011-MCA-306	1-C16	1-32	14711-MCA-A00	1-C3	1-6	14950-KT7-013	1-C4	1-8
13021-MCA-305	1-C16	1-32	14721-MCA-A00	1-C3	1-6	14951-KT7-013	1-C4	1-8
13021-MCA-306	1-C16	1-32	14731-MCA-000	1-C3	1-6	14952-KT7-013	1-C4	1-8
13031-MCA-305	1-C16	1-32	14751-MCA-000	1-C3	1-6	14953-KT7-013	1-C4	1-8
13031-MCA-306	1-C16	1-32	14771-MAT-000	1-C3	1-6	14954-KT7-013	1-C4	1-8
13041-MCA-305	1-C16	1-32	14775-MCA-000	1-C3	1-6	14955-KT7-013	1-C4	1-8
			14781-MAT-000	1-C3	1-6	14956-KT7-013	1-C4	1-8
			14901-KT7-013	1-C3	1-6	14957-KT7-013	1-C4	1-8
			14902-KT7-013	1-C3	1-6	14958-KT7-013	1-C4	1-8
			14903-KT7-013	1-C3	1-6	14959-KT7-013	1-C4	1-8

PART NUMBER INDEX

Part Number	Grid	Page	Part Number	Grid	Page	Part Number	Grid	Page
14960-KT7-013	1-C4	1-8	17251-MCA-003	1-F8	2-49	18338-MCA-000	1-F11	2-54
14961-KT7-013	1-C4	1-9	17252-MCA-003	1-F8	2-49	18355-MCA-A20ZA	1-F11	2-55
14962-KT7-013	1-C4	1-9	17254-MCA-003	1-F8	2-49	18376-MT3-000	1-F11	2-55
14963-KT7-013	1-C4	1-9	17316-611-000	1-C15	1-30	18377-MT3-000	1-F11	2-55
14964-KT7-013	1-C4	1-9	17368-KV7-671	1-E5	2-10	18392-MAM-000	1-F11	2-55
14965-KT7-013	1-C4	1-9	17370-382-870	1-F8	2-49	18405-MCA-003	1-F11	2-55
15110-MCA-000	1-C14	1-28	17410-MCA-A00	1-H11	2-118	18417-MCA-A20	1-F11	2-55
15121-MG3-000	1-C14	1-28	17411-MCA-000	1-H11	2-118	18418-MCA-000	1-F11	2-55
15122-MG3-000	1-C14	1-28	17412-MCA-000	1-H11	2-118	18421-MCA-000	1-F11	2-55
15134-MCA-000	1-C14	1-28	17413-MCA-000	1-H11	2-118	18421-MN5-000	1-F11	2-55
15135-MCA-003	1-C14	1-28	17414-MCA-000	1-H11	2-118	18422-MN5-000	1-F11	2-55
15142-PE0-000	1-H3	2-103	17415-MCA-000	1-H11	2-118	18423-MCA-000	1-F11	2-55
15153-MCA-000	1-C14	1-28	17420-MCA-000	1-F8	2-49	18424-MN5-000	1-F11	2-55
15154-MM5-000	1-C14	1-28	17510-MCA-000	1-F7	2-47	18429-MCA-A20	1-F11	2-55
15171-MCA-000	1-C14	1-28	17515-GBB-000	1-F7	2-47	18441-MCA-A20	1-F11	2-55
15220-MY9-000	1-C14	1-28	17515-MCA-003	1-F7	2-47	18455-MCA-A20ZA	1-F11	2-55
15326-KBV-000	1-C14	1-28	17516-MCA-003	1-F7	2-47	18532-634-670	1-F8	2-49
15410-MCJ-003	1-C15	1-30	17517-MCA-000	1-F7	2-47	18601-KGB-611	1-C15	1-30
15515-MCA-000	1-C15	1-30	17519-MCA-000	1-F7	2-47	18612-MBA-600	1-C15	1-30
15650-MCA-010	1-C10	1-21	17525-MCA-003	1-D4	1-41	18651-MCA-780	1-C15	1-30
15771-KV6-000	1-F8	2-49	17526-MCA-000	1-D4	1-41	18652-MCA-000	1-C15	1-30
15772-KK0-000	1-C15	1-30	17527-MCA-000	1-D4	1-41	18653-MCA-000	1-C15	1-30
16016-MCA-013	1-D4	1-40	17528-MCA-003	1-D4	1-41	18655-MCA-000	1-C15	1-30
16022-MCA-003	1-D4	1-40	17530-MCA-000	1-D4	1-41	18661-MCA-000	1-F9	2-51
16075-P07-000	1-D4	1-40	17554-MB0-000	1-F8	2-49	18662-MCA-000	1-C15	1-30
16080-P07-000	1-D4	1-40	17574-MCA-003	1-F7	2-47	18663-MCA-000	1-C15	1-30
16119-MCA-003	1-D4	1-40	17575-MCA-003	1-F7	2-47	18665-MCA-000	1-F9	2-51
16211-MCA-000	1-C2	1-4	17611-MCA-000	1-G8	2-81	19010-MCA-003	1-G7	2-78
16218-MCA-000	1-C2	1-4	17614-MCA-000	1-G8	2-81	19014-KEA-003	1-G7	2-78
16222-MV4-300	1-C2	1-4	17615-MCA-000	1-F7	2-47		1-G8	2-80
16400-MCA-013	1-D4	1-40	17620-MCA-A01	1-F7	2-47	19015-MCA-A20	1-G8	2-80
16410-MCA-013	1-D4	1-40	17724-102-700	1-F8	2-49	19020-MCF-013	1-G8	2-80
16450-MCA-013	1-D5	1-43		1-F9	2-51	19025-MCA-A20	1-G8	2-80
16451-MCA-000	1-D5	1-43	17910-MCA-000	1-E3	2-7	19030-MCA-003	1-G8	2-80
16456-P8A-A01	1-D4	1-40	17920-MCA-000	1-H10	2-117	19032-MCA-003	1-G8	2-80
16527-MCA-003	1-D4	1-41	17930-MCA-000	1-H10	2-117	19037-GEE-710	1-G7	2-78
16610-MCA-780	1-D4	1-41	17936-921-000	1-E2	2-5	19039-KM1-004	1-G7	2-78
16614-MCA-000	1-D4	1-41	17938-SE0-941	1-F15	2-63	19046-PAA-A00	1-G7	2-78
16620-MCA-780	1-D4	1-41	18150-MCA-781	1-F11	2-54	19051-KA3-830	1-G13	2-90
16700-MCA-013	1-F7	2-47	18250-MCA-781	1-F11	2-54	19051-KA4-000	1-G8	2-80
16740-MCA-003	1-D4	1-41	18291-MN5-650	1-F11	2-54	19052-KA3-710	1-H3	2-103
16741-PG7-005	1-D4	1-41	18293-MCA-780	1-C12	1-25	19052-MB4-880	1-C12	1-25
16745-MCA-000	1-D4	1-41		1-F11	2-54	19060-MCA-003	1-G7	2-78
16958-GJ6-000	1-H11	2-118	18293-MCA-A20	1-F11	2-54	19102-KT8-000	1-G7	2-78
17110-MCA-000	1-C2	1-4	18305-MCA-A20	1-F11	2-54	19102-ML7-701	1-G7	2-78
17134-MCA-003	1-C2	1-4	18313-MCA-A20	1-F11	2-54	19103-MB9-000	1-G7	2-78
17140-MCA-000	1-C2	1-4	18314-MCA-A20	1-F11	2-54	19104-MCA-000	1-G7	2-78
17201-MG9-000	1-D4	1-40	18316-MCA-003	1-F11	2-54	19105-MCA-000	1-G7	2-78
17210-MCA-003	1-F8	2-49	18317-MCA-A20	1-F11	2-54	19106-MCA-000	1-G7	2-78
17221-MCA-003	1-F8	2-49	18318-MCA-000	1-F11	2-54	19107-415-000	1-H11	2-118
17231-MCA-003	1-F8	2-49	18321-MCA-000	1-F11	2-54	19107-MCA-000	1-G7	2-78
17233-MCA-000	1-F8	2-49	18323-MCA-000	1-F11	2-54	19110-MCA-000	1-G7	2-78
17235-MCA-000	1-F8	2-49	18329-MCA-A20	1-F11	2-54	19126-KM1-010	1-H11	2-118
17237-MCA-003	1-F8	2-49	18332-MCA-A20	1-F11	2-54	19200-MCA-A00	1-C6	1-12
17239-MCA-003	1-F8	2-49	18333-MCA-000	1-F11	2-54	19205-MCA-000	1-G7	2-78
17245-MCA-000	1-F8	2-49	18336-MCA-003	1-F11	2-54	19217-MCA-000	1-C6	1-12

PART NUMBER INDEX

Part Number	Grid	Page	Part Number	Grid	Page	Part Number	Grid	Page
19220-MCA-A00	1-C6	1-12	22203-MCA-000	1-C8	1-16	24251-MCA-000	1-D2	1-36
19226-MCA-A00	1-C6	1-12	22321-MAT-000	1-C8	1-16	24261-283-000	1-D1	1-35
19300-P08-014	1-C6	1-12	22351-MCA-000	1-C8	1-16	24300-MCA-000	1-D2	1-36
19301-P08-316	1-C6	1-12	22352-MCA-000	1-C8	1-16	24302-MCA-300	1-D2	1-36
19305-MCA-A00	1-C6	1-12	22353-MCA-000	1-C8	1-16	24305-MN5-000	1-D2	1-36
19411-MCA-780	1-D3	1-38	22354-MCA-000	1-C8	1-16	24430-MCA-000	1-D2	1-36
19421-MCA-780	1-D3	1-38	22355-MCA-000	1-C8	1-16	24435-MCA-000	1-D2	1-36
19501-MCA-000	1-G7	2-78	22360-MEC-000	1-C10	1-21	24443-MCA-300	1-D2	1-36
19502-MCA-000	1-G7	2-78	22366-MCA-000	1-C8	1-16	24610-MCA-000	1-D2	1-36
19503-MCA-000	1-G7	2-78	22402-MAT-000	1-C8	1-16	24615-MCA-000	1-D2	1-36
19504-KY1-003	1-D3	1-38	22425-MCA-000	1-C8	1-16	24620-MCA-780	1-D2	1-36
19504-MCA-000	1-G7	2-79	22431-MAT-000	1-C8	1-16	24624-MT3-000	1-D2	1-36
19505-MCA-000	1-G7	2-79	22441-MCA-000	1-C8	1-16	24651-MCA-000	1-D2	1-36
19505-ML3-770	1-G7	2-79	22465-MCA-000	1-C10	1-21	24652-028-000	1-D2	1-36
19506-MCA-000	1-D3	1-38	22851-MCA-000	1-C8	1-17	24655-MV4-000	1-D2	1-36
	1-G7	2-79	22860-MCA-000	1-C6	1-13	24705-MCA-000	1-F12	2-57
19507-MAL-600	1-D3	1-38	22863-MJ8-003	1-C6	1-13	24781-KR3-770	1-F12	2-57
	1-G7	2-79	22864-MB0-003	1-C6	1-13	24810-MCA-000	1-C12	1-25
19507-MAT-000	1-G7	2-79	22865-MJ8-003	1-C6	1-13	24820-MCA-000	1-C12	1-25
19507-MCA-000	1-D3	1-38	22884-MB0-006	1-E7	2-14	28106-MCA-000	1-C11	1-23
19508-MCA-000	1-G7	2-79	22885-MB0-006	1-E7	2-14	28110-MCA-000	1-C13	1-26
19509-MCA-000	1-G7	2-79	22886-MCA-006	1-E7	2-14	28125-MN5-014	1-C13	1-26
19509-MM5-003	1-D3	1-38	22890-MCA-006	1-E7	2-14	28141-MCA-000	1-C11	1-23
	1-G7	2-79	22900-MCA-000	1-E7	2-14	28150-MCA-000	1-C11	1-23
19511-MCA-000	1-D3	1-38	23110-MN5-010	1-C13	1-26	28162-MN5-000	1-C11	1-23
19512-MCA-000	1-D3	1-38	23121-MCA-000	1-C13	1-26	28165-MN5-000	1-C11	1-23
19513-MCA-000	1-D3	1-38	23130-MCA-000	1-C13	1-26	28171-MN5-000	1-C11	1-23
19516-MCA-000	1-D3	1-38	23161-MCA-010	1-D1	1-34	28178-MCA-000	1-C13	1-27
19516-ML7-691	1-D3	1-38	23162-MCA-010	1-D1	1-34	28211-MN5-000	1-C11	1-23
19517-MCA-000	1-D3	1-38	23210-MCA-780	1-D1	1-34	28214-MCA-000	1-C12	1-25
19518-MCA-000	1-D3	1-38	23212-MCA-000	1-D1	1-34	28215-MCA-000	1-C11	1-23
19520-MCA-000	1-G7	2-79	23219-MCA-000	1-D1	1-34	28218-MCA-000	1-C11	1-23
19525-MCA-000	1-G7	2-79	23221-MCA-010	1-D1	1-34	28219-MN5-010	1-C11	1-23
19530-MCA-000	1-D3	1-38	23421-MCA-000	1-D1	1-34	28221-MN5-000	1-C11	1-23
19540-MCA-000	1-D3	1-38	23431-MCA-000	1-D1	1-34	28224-MCA-000	1-C11	1-23
19710-MCA-010	1-D3	1-38	23441-MCA-000	1-D1	1-34	28226-MCA-000	1-C11	1-23
19720-MCA-000	1-D3	1-38	23461-MCA-000	1-D1	1-34	28241-MCA-A00	1-C11	1-23
19730-MCA-000	1-D3	1-39	23462-MCA-000	1-D1	1-34	28250-MCA-000	1-C11	1-23
19732-MCA-010	1-D3	1-39	23463-MCA-000	1-D1	1-34			
19733-MCA-000	1-D3	1-39	23471-MCA-000	1-D1	1-34			
			23472-MCA-000	1-D1	1-34	(3)		
	(2)		23481-MCA-A20	1-D1	1-34	30291-MCA-A00	1-C5	1-10
			23491-MCA-000	1-D1	1-34	30300-MCA-003	1-C6	1-13
21100-MCA-A20	1-C10	1-21	23500-MCA-A20	1-C13	1-27	30401-MCA-000	1-G6	2-76
21112-MCA-000	1-C10	1-21	23501-MCA-000	1-D1	1-34	30430-MCA-671	1-E8	2-16
21116-MCA-780	1-C10	1-21	23521-MCA-000	1-C13	1-27	30511-MCA-000	1-G4	2-73
21117-MCA-780	1-C10	1-21	23611-MCA-780	1-C13	1-27	30512-MCA-000	1-G4	2-73
21120-MEC-000	1-C10	1-21	23721-MCA-780	1-C13	1-27	30520-P7A-007	1-G4	2-73
21122-MN5-000	1-C10	1-21	23732-MCA-000	1-C13	1-27	30530-MCA-003	1-C15	1-30
21125-MEC-003	1-C10	1-21	23733-MN5-000	1-C13	1-27	30731-MCA-003	1-G4	2-73
22100-MCA-780	1-C8	1-16	23741-MN5-000	1-C13	1-27	30732-MCA-003	1-G4	2-73
22111-MCA-000	1-C8	1-16	23742-MN5-000	1-C13	1-27	30733-MCA-003	1-G4	2-73
22120-MCA-000	1-C8	1-16	23751-MN5-000	1-C10	1-21	30734-MCA-003	1-G4	2-73
22125-MCA-000	1-C8	1-16	24211-MCA-A00	1-D2	1-36	30735-MCA-003	1-G4	2-73
22201-MCA-000	1-C8	1-16	24212-MCA-000	1-D2	1-36	30736-MCA-003	1-G4	2-73
22202-MAT-000	1-C8	1-16	24213-MCA-000	1-D2	1-36	31100-MCA-A40	1-C9	1-18

PART NUMBER INDEX

Part Number	Grid	Page	Part Number	Grid	Page	Part Number	Grid	Page
31101-MCA-003	1-C9	1-18	32925-958-000	1-G16	2-97	35139-MCA-A20	1-E3	2-7
31102-MCA-700	1-C9	1-18	33100-MCA-A20	1-E1	2-2	35141-MCA-A20	1-E3	2-7
31111-MCA-003	1-C9	1-18	33101-MCA-003	1-E1	2-2	35142-MCA-A20	1-E3	2-7
31111-P08-J02	1-C9	1-18	33102-MCA-A20	1-E1	2-2	35143-MCA-A20	1-E3	2-7
31112-MCA-003	1-C9	1-18	33103-MCA-003	1-E1	2-2	35144-MCA-A20	1-E3	2-7
31114-MCA-003	1-C9	1-18	33112-KPB-003	1-E1	2-2	35145-MCA-A20	1-E3	2-7
31115-MAM-300	1-H12	2-120	33113-MBW-D21	1-E1	2-2	35146-MCA-A20	1-E3	2-7
31123-MCA-003	1-C9	1-18	33130-MAT-611	1-E1	2-2	35160-MCA-A21	1-E1	2-2
31125-P08-J02	1-C9	1-18	33150-MCA-671	1-E1	2-2	35161-MCA-A21	1-E1	2-2
31127-PEJ-A01	1-C9	1-18	33152-MCA-671	1-E1	2-2	35162-MCA-A21	1-E1	2-2
31140-P64-902	1-C9	1-18	33301-SAO-741	1-G3	2-70	35162-MN5-003	1-E1	2-2
31146-PE0-004	1-C9	1-18	33405-MCA-671	1-G1	2-67	35163-MN5-003	1-E1	2-2
31150-MCA-A40	1-C9	1-18	33410-MCA-671	1-G1	2-67	35200-MCA-A21	1-E3	2-7
31200-MCA-003	1-C9	1-19	33455-MCA-671	1-G1	2-67	35201-MCA-003	1-F5	2-42
31201-MT8-008	1-C9	1-19	33460-MCA-671	1-G1	2-67	35202-MCA-003	1-E3	2-7
31203-MT8-008	1-C9	1-19	33510-MCA-671	1-G3	2-70	35203-MCA-A20	1-E3	2-7
31204-MN5-008	1-C9	1-19	33560-MCA-671	1-G3	2-70	35205-MCA-A20	1-E3	2-7
31206-MN5-008	1-C9	1-19	33710-MCA-671	1-G3	2-70	35206-MCA-A20	1-E3	2-7
31207-179-711	1-C9	1-19	33720-GZ9-003	1-G3	2-70	35207-MCA-003	1-E4	2-8
31207-KS5-901	1-C9	1-19	33720-MCA-003	1-G3	2-70	35211-MCA-A20	1-E4	2-8
31207-MN5-008	1-C9	1-19	33726-MT2-004	1-G3	2-70	35212-MCA-A20	1-E4	2-8
31208-MG9-004	1-C9	1-19	33727-MCA-003	1-G3	2-70	35213-MCA-A20	1-E4	2-8
31208-MN5-008	1-C9	1-19	33728-MCA-000	1-G3	2-70	35214-MCA-A20	1-E4	2-8
31209-MN5-008	1-C9	1-19	33729-MN5-003	1-G3	2-70	35215-MCA-A20	1-E4	2-8
31210-MZ0-008	1-C9	1-19	33741-ME9-673	1-E10	2-20	35217-MCA-A20	1-E4	2-8
31500-MCA-003	1-G3	2-71	33741-MS6-921	1-F16	2-65	35218-MCA-A20	1-E4	2-8
31700-196-000	1-G5	2-74	33760-MCA-671	1-G3	2-70	35219-MCA-A20	1-E4	2-8
31700-750-801	1-G5	2-74	34901-MAT-611	1-E1	2-2	35220-MCA-003	1-E9	2-18
31700-MM8-610	1-G5	2-74	34906-MBB-611	1-G1	2-67	35220-MCA-A20	1-E4	2-8
31710-MCA-003	1-G6	2-76		1-G3	2-70	35300-MCA-000	1-E16	2-32
32100-MCA-A21	1-G5	2-74	35010-MCA-A40ZA	1-E8	2-16	35330-MB0-003	1-E7	2-14
32100-MCA-A31	1-G5	2-74	35010-MCA-A40ZB	1-E8	2-16	35335-MG9-951	1-E7	2-14
32104-MCA-000	1-D5	1-43	35010-MCA-A40ZC	1-E8	2-16	35340-MCA-000	1-E6	2-12
32105-MCA-A10	1-G5	2-74	35010-MCA-A40ZD	1-E8	2-16	35360-MCA-A01	1-H10	2-117
32106-MCA-000	1-D5	1-43	35010-MCA-A40ZE	1-E8	2-16	35366-MCA-003	1-H10	2-117
32108-MCA-000	1-E9	2-18	35010-MCA-A40ZF	1-E8	2-16	35367-MCA-A01	1-H10	2-117
32109-MCA-000	1-D5	1-43	35070-MCA-000	1-F14	2-60	35500-MJ4-024	1-C15	1-30
32114-MCA-000	1-C1	1-2	35100-MCA-671	1-E8	2-16	35600-MM5-003	1-C15	1-30
32115-MCA-000	1-C1	1-2	35101-MCA-671	1-E8	2-16	35759-MCA-003	1-C6	1-13
32120-MCA-670	1-G5	2-74	35113-MCA-A41ZA	1-E8	2-16	35800-MCA-043	1-F5	2-42
32127-MCA-003	1-E8	2-16	35113-MCA-A41ZB	1-E8	2-16	35801-MCA-003	1-F5	2-42
32130-MCA-670	1-G5	2-74	35113-MCA-A41ZC	1-E8	2-16	35802-MCA-003	1-F5	2-42
32140-MCA-670	1-G5	2-74	35113-MCA-A41ZD	1-E8	2-16	35850-MCA-701	1-G3	2-71
32146-SH3-003	1-G5	2-74	35113-MCA-A41ZE	1-E8	2-16	35856-425-000	1-G3	2-71
32180-MCA-670	1-G5	2-74	35113-MCA-A41ZF	1-E8	2-16	35860-MCA-701	1-G3	2-71
32401-MCA-010	1-G5	2-74	35121-MCA-A40ZA	1-E8	2-16	36140-MCA-003	1-C5	1-10
32410-MCA-010	1-G3	2-71	35121-MCA-A40ZB	1-E8	2-16	36160-P8E-A02	1-H11	2-118
32411-230-000	1-G3	2-71	35121-MCA-A40ZC	1-E8	2-17	36162-P8E-A02	1-H11	2-118
32411-253-000	1-G3	2-71	35121-MCA-A40ZD	1-E8	2-17	36165-MCA-000	1-H11	2-118
32412-MCA-000	1-G5	2-74	35121-MCA-A40ZE	1-E8	2-17	36166-P0A-A01	1-H11	2-118
32416-MCA-000	1-G3	2-71	35121-MCA-A40ZF	1-E8	2-17	36280-MCA-003	1-G6	2-76
32419-MCA-000	1-G3	2-71	35130-MCA-A21	1-E3	2-7	36450-MCA-003	1-F9	2-51
32425-MCA-000	1-G3	2-71	35132-MCA-003	1-E3	2-7	36520-MCA-A01	1-H10	2-117
32601-MCA-000	1-G3	2-71	35133-MCA-003	1-E3	2-7	36531-MCA-023	1-F11	2-55
32901-MA1-000	1-G5	2-74	35134-MCA-A20	1-E3	2-7	36532-MCA-023	1-F11	2-55
32906-MCA-A00	1-C6	1-13	35135-MCA-A20	1-E3	2-7	36700-MCA-003	1-G6	2-76

PART NUMBER INDEX

Part Number	Grid	Page	Part Number	Grid	Page	Part Number	Grid	Page
36800-MCA-671	1-C12	1-25	39114-MCA-671	1-H9	2-115	41536-MCA-000	1-F4	2-40
37011-MCA-003	1-D4	1-40	39115-MCA-671	1-H9	2-115	41537-MCA-000	1-F4	2-40
37080-MCA-000	1-F7	2-47	39116-MCA-671	1-H9	2-115	41538-MCA-000	1-F4	2-40
37100-MCA-A41	1-E2	2-5	39120-MCA-671	1-H9	2-115	41539-MCA-000	1-F4	2-40
37100-MCA-A51	1-E2	2-5	39130-MCA-003	1-H9	2-115	41540-MCA-000	1-F4	2-40
37101-MCA-671	1-E2	2-5	39150-MCA-003	1-H9	2-115	41541-MCA-000	1-F4	2-40
37102-MCA-671	1-E2	2-5	39151-MCA-000	1-H9	2-115	41542-MCA-000	1-F4	2-40
37103-MCA-671	1-E2	2-5	39152-MCA-000	1-H9	2-115	41543-MCA-000	1-F4	2-40
37105-MCA-003	1-E2	2-4	39153-MN5-003	1-H9	2-115	41544-MCA-000	1-F4	2-41
37107-MCA-671	1-E2	2-5	39170-MCA-000	1-H9	2-115	42303-MT4-000	1-F3	2-38
37109-MBG-000	1-E2	2-5	39206-MCA-013	1-E4	2-8	42515-MCA-971	1-F3	2-38
37109-MCA-671	1-E2	2-5		1-F5	2-42	42650-MCA-A00	1-F3	2-38
37110-MCA-A41	1-E2	2-5	39207-MCA-013	1-F5	2-42	42704-MCF-D60	1-E15	2-30
37110-MCA-A51	1-E2	2-5	39208-MCA-003	1-E4	2-8		1-F3	2-38
37200-MCA-671	1-E2	2-5		1-F5	2-42	42705-MCF-D60	1-E15	2-30
37200-MCA-971	1-E2	2-5	39242-MCA-000	1-H9	2-115		1-F3	2-38
37214-KV7-671	1-E2	2-5	39243-MCA-000	1-H9	2-115	42706-MCF-D60	1-E15	2-30
37215-KAF-008	1-E2	2-5	39245-MCA-003	1-H9	2-115		1-F3	2-38
37215-KS3-901	1-E2	2-4	39246-MCA-003	1-H10	2-116	42711-MCA-A01	1-F3	2-38
37222-MCA-000	1-F5	2-42	39794-MCA-000	1-G5	2-75	42753-KJ9-003	1-F3	2-38
	1-H7	2-111	39795-MCA-000	1-G5	2-75	42753-KJ9-004	1-F3	2-38
37230-MCA-671	1-E2	2-5		1-G6	2-76	42753-KJ9-005	1-F3	2-38
37250-MCA-671	1-E2	2-5	39796-MCA-000	1-G6	2-76	42753-MN5-004	1-E15	2-30
37700-MCA-003	1-C15	1-30				42754-MN5-000	1-E15	2-30
37830-MAT-E01	1-G6	2-76					1-F3	2-38
37870-MAT-E01	1-C2	1-4	(4)			43107-MAJ-G41	1-F2	2-36
37880-MCA-003	1-F8	2-49	40200-MCA-010	1-F15	2-62	43107-MBG-006	1-E14	2-28
37881-MCA-003	1-F9	2-50	40202-MCA-010	1-F15	2-62	43108-MCA-006	1-F2	2-36
37890-MCA-003	1-G15	2-94	40216-MCA-000	1-F15	2-62	43112-MCA-006	1-F2	2-36
38110-MCA-003	1-G6	2-76	40219-MG9-000	1-F15	2-62	43150-MCA-006	1-F2	2-36
38120-MCA-003	1-G6	2-76	40221-MB0-000	1-F15	2-62	43156-MCA-000	1-F1	2-34
38215-MCA-671	1-G5	2-74	40222-MG9-000	1-F15	2-62	43157-MCA-000	1-F1	2-34
38215-MCA-971	1-G5	2-74	41300-MCA-A21	1-F3	2-39	43158-MCA-000	1-F1	2-34
38215-SX8-003	1-G5	2-74	41305-MB4-770	1-F3	2-39	43159-MCA-A20	1-F1	2-34
38216-MCA-671	1-G5	2-75	41306-MB0-020	1-F3	2-39	43161-MCA-000	1-F1	2-34
38218-SM4-003	1-G5	2-75	41310-MCA-010	1-F3	2-39	43190-MCA-006	1-F2	2-36
38235-S04-003	1-G5	2-75	41311-MCA-A21	1-F3	2-39	43207-MAJ-G41	1-F2	2-36
38252-MCA-003	1-G5	2-75	41320-MCA-000	1-F3	2-39	43250-MCA-013	1-F3	2-38
38253-898-000	1-G15	2-94	41331-MN5-000	1-F3	2-39	43310-MCA-003	1-E16	2-32
38256-MCA-003	1-G5	2-75	41332-415-000	1-F3	2-39	43311-MCA-000	1-F1	2-34
38282-MCA-003	1-G5	2-75	41333-415-000	1-F3	2-39	43312-MCA-670	1-F1	2-34
38306-MCA-000	1-G6	2-76	41410-MN5-000	1-F3	2-39	43312-MCA-750	1-F1	2-34
38380-MCA-306	1-G6	2-76	41441-MCA-010	1-F3	2-39	43313-MCA-970	1-F1	2-34
38506-MCA-000	1-G6	2-76	41450-MG9-000	1-F3	2-39	43314-MCA-971	1-F1	2-34
38510-MCA-A30	1-F3	2-38	41451-MG9-000	1-F3	2-39	43315-MCA-000	1-F1	2-34
38515-MCA-970	1-E15	2-30	41452-MG9-000	1-F3	2-39	43316-MCA-A21	1-F1	2-34
38520-MCA-971	1-E15	2-30	41453-MG9-000	1-F4	2-40	43320-MCA-670	1-F1	2-34
38521-MCA-970	1-E15	2-30	41454-MG9-000	1-F4	2-40	43320-MCA-970	1-F1	2-34
38564-SA5-000	1-G15	2-94	41455-MG9-000	1-F4	2-40	43321-MCA-970	1-F1	2-34
38600-MCA-971	1-G6	2-76	41456-MG9-000	1-F4	2-40	43322-MCA-003	1-E5	2-10
38770-MCA-A41	1-G6	2-76	41530-MCA-000	1-F4	2-40	43323-MCA-003	1-E5	2-10
38771-MCA-000	1-G6	2-76	41531-MCA-000	1-F4	2-40	43324-MCA-000	1-E5	2-10
39110-MCA-A40	1-H9	2-115	41532-MCA-000	1-F4	2-40	43325-MCA-003	1-E5	2-10
39111-MCA-671	1-H9	2-115	41533-MCA-000	1-F4	2-40	43326-MCA-000	1-F1	2-34
39112-MCA-671	1-H9	2-115	41534-MCA-000	1-F4	2-40	43327-MCA-670	1-F1	2-34
39113-MCA-671	1-H9	2-115	41535-MCA-000	1-F4	2-40	43327-MCA-970	1-F1	2-34

PART NUMBER INDEX

Part Number	Grid	Page	Part Number	Grid	Page	Part Number	Grid	Page
43328-MCA-003	1-E5	2-10	45120-MCA-003	1-E15	2-30	45512-MA6-006	1-E6	2-12
43329-MCA-971	1-F1	2-35	45124-MCA-003	1-E6	2-12		1-E7	2-14
43330-MCA-000	1-F1	2-35	45125-MCA-670	1-F1	2-35	45513-MAM-A61	1-E6	2-12
43331-MCA-A21	1-F1	2-35	45125-MCA-970	1-F1	2-35		1-E7	2-14
43332-MCA-970	1-F1	2-35	45126-MCA-970	1-F1	2-35	45517-MAM-A62	1-E6	2-12
43352-568-003	1-E11	2-22	45127-MCA-003	1-E5	2-10		1-E7	2-14
	1-E12	2-24	45128-MCA-000	1-E5	2-10	45518-MB0-006	1-E7	2-14
	1-E13	2-26	45129-MAE-000	1-E5	2-10	45518-MM5-006	1-E6	2-12
	1-E14	2-28	45129-MCA-003	1-E5	2-10		1-E7	2-14
	1-F2	2-36	45131-166-016	1-E12	2-24	45520-300-000	1-E16	2-32
43352-HC5-971	1-C6	1-13		1-E13	2-26	45520-MM5-006	1-E6	2-12
	1-E12	2-24		1-E14	2-28		1-E7	2-14
	1-E13	2-26	45131-MAC-681	1-F2	2-36	45521-MJ6-006	1-E16	2-32
	1-E14	2-28	45131-ML7-921	1-E12	2-24	45523-MN5-006	1-E6	2-12
	1-F2	2-36		1-E13	2-26		1-E7	2-14
43353-461-771	1-C6	1-13		1-E14	2-28	45530-MCA-006	1-E6	2-12
	1-E11	2-22	45131-MZ2-006	1-F2	2-36	45553-MAM-A60	1-E6	2-12
	1-E12	2-24	45132-166-016	1-E12	2-24		1-E7	2-14
	1-E13	2-26		1-E13	2-26	45600-MCC-006	1-E5	2-10
	1-E14	2-28		1-E14	2-28	45630-MAT-006	1-E5	2-11
	1-F2	2-36		1-F2	2-36	46182-500-013	1-E5	2-11
43503-KCY-671	1-E16	2-32	45133-MA3-006	1-E12	2-24		1-E16	2-33
43504-MB2-006	1-E5	2-10		1-E13	2-26	46200-MCA-671	1-F1	2-35
	1-E16	2-32		1-E14	2-28	46200-MCA-971	1-F1	2-35
43510-MCA-006	1-E16	2-32	45134-KB7-005	1-E11	2-22	46300-MCA-006	1-E5	2-11
43511-MCA-006	1-E16	2-32	45150-MCA-006	1-E14	2-28	46395-SR3-J01	1-F1	2-35
43512-MCA-006	1-E16	2-32	45151-MCA-003	1-F1	2-35	46500-MCA-000	1-F12	2-57
43513-MY1-006	1-E16	2-32	45156-MCA-A20	1-E5	2-10	46504-MT4-006	1-E16	2-33
43514-KS6-701	1-E16	2-32	45159-MCA-A20	1-E5	2-10	46505-MCA-780	1-F12	2-57
43517-KS6-701	1-E16	2-32	45161-MCA-000	1-E5	2-10	46514-MCA-000	1-F12	2-57
43518-MCA-000	1-E16	2-32	45162-MCA-000	1-E5	2-10			
43520-MAJ-G41	1-E5	2-10	45163-MCA-000	1-E8	2-17	(5)		
43520-MCA-006	1-E16	2-32	45190-MCA-006	1-E14	2-28	50100-MCA-020ZA	1-G8	2-81
43530-MCA-006	1-E16	2-32	45203-MCC-006	1-E12	2-24	50152-MCA-000	1-E8	2-17
43537-MCA-006	1-E16	2-32		1-E13	2-26	50231-MB9-010	1-E9	2-18
43538-MCA-006	1-E16	2-32		1-E14	2-28	50250-MCA-000	1-F7	2-47
43539-MN5-006	1-E16	2-32		1-F2	2-36	50261-MCA-000	1-E9	2-18
44301-MCA-000	1-E15	2-30	45207-MAJ-G41	1-E12	2-24	50262-MCA-000	1-E9	2-18
44311-MCA-000	1-E15	2-30		1-E13	2-26	50305-MCA-000	1-G4	2-73
44312-MCA-000	1-E15	2-30		1-E14	2-28	50307-MCA-000	1-H10	2-117
44515-MCA-971	1-E15	2-30	45215-MAJ-G41	1-E12	2-24	50311-MCA-970	1-G4	2-73
44620-MCA-000	1-E15	2-30		1-E13	2-26	50318-041-600	1-G6	2-76
44650-MCA-A00	1-E15	2-30		1-E14	2-29	50330-MCA-A00	1-F7	2-47
44711-MCA-A01	1-E15	2-30		1-F2	2-37	50331-MCA-000	1-G6	2-76
45108-MZ2-016	1-E12	2-24	45217-MAJ-G41	1-E12	2-25	50351-MCA-000	1-G8	2-81
	1-E13	2-26		1-E13	2-26	50352-MCA-000	1-G8	2-81
	1-E14	2-28	45220-MCA-003	1-E15	2-30	50355-MS9-750	1-F14	2-60
45111-MAJ-G41	1-E12	2-24	45250-MCA-006	1-E12	2-25	50410-MCA-000ZA	1-G8	2-81
	1-E13	2-26	45250-MCA-971	1-E13	2-27	50415-MCA-000ZA	1-G8	2-81
	1-E14	2-28	45290-MCA-971	1-E13	2-27	50500-MCA-A00	1-F14	2-60
	1-F2	2-36	45442-MAT-000	1-E14	2-29	50503-MCA-000	1-F14	2-60
45112-MZ2-006	1-E12	2-24	45452-MZ2-000	1-E11	2-22	50504-MCA-000	1-F14	2-60
	1-E13	2-26	45504-410-003	1-E6	2-12	50524-MG9-000	1-F11	2-55
	1-E14	2-28		1-E7	2-14	50525-MCA-000	1-F14	2-60
45117-MAJ-G41	1-E12	2-24	45510-MCA-006	1-E6	2-12	50532-MCA-000	1-F14	2-60
	1-E13	2-26						

PART NUMBER INDEX

Part Number	Grid	Page	Part Number	Grid	Page	Part Number	Grid	Page
50535-MCA-000	1-F14	2-60	51520-MCA-003	1-E11	2-23	61103-MCA-000ZT	1-E10	2-21
50538-MCA-000	1-G8	2-81	51530-MCA-003	1-E11	2-23	61103-MCA-000ZU	1-E10	2-21
50538-ML7-000	1-F14	2-60	51540-MCA-003	1-E11	2-23	61104-MCA-A50	1-E10	2-21
50540-MAT-000	1-F14	2-60	51996-SA5-800	1-C11	1-23	61105-KM7-910	1-G11	2-86
50605-GZ4-670	1-G11	2-86	52100-MCA-A20	1-F15	2-62	61105-MA3-000	1-C2	1-4
50612-MCA-000	1-F13	2-58	52104-MCA-000	1-F15	2-62	61105-MCA-000	1-E10	2-21
50613-MCA-000	1-F13	2-58	52115-MCA-A20	1-E5	2-11	61108-MCA-000	1-E10	2-21
50614-MCA-000	1-F13	2-58	52116-MCA-A20	1-E5	2-11	61109-MCA-000	1-E10	2-21
50617-MM5-000	1-F13	2-58	52400-MCA-003	1-F15	2-63	61110-MCA-A50	1-E10	2-21
50619-MCA-000	1-F13	2-58	52462-MCA-000	1-F15	2-63	61112-727-000	1-H8	2-113
50639-ML0-010	1-F13	2-58	52463-MAW-760	1-F15	2-63	61112-MCA-000	1-E10	2-21
50642-MCA-000	1-F13	2-58	52463-MCA-000	1-F15	2-63	61114-MCA-A50	1-E10	2-21
50644-MM5-000	1-F13	2-58	52465-MCA-000	1-F15	2-63	61119-MCA-000	1-E10	2-21
50661-MCA-000	1-F13	2-58	52465-MY1-000	1-F15	2-63	61120-MCA-A50	1-E10	2-21
50710-MCA-003	1-G16	2-97	52475-MCA-000	1-F15	2-63	61313-KC5-000	1-H8	2-113
50714-MCA-000	1-G16	2-97	52491-MCA-000	1-F15	2-63	61320-KZ9-000	1-H3	2-103
50715-MCA-000	1-F13	2-58	52492-MCA-000	1-F15	2-63	61403-MCA-000	1-E9	2-18
50716-MCA-010	1-F13	2-58	53100-MCA-A20	1-E8	2-17	62501-MCA-000	1-H8	2-113
50717-MCA-000ZA	1-F13	2-58	53105-KV3-000	1-E8	2-17	62601-MCA-000	1-H8	2-113
50718-MCA-000	1-F13	2-58	53105-MK4-620	1-E4	2-8	64100-MCA-A20	1-G11	2-86
50720-MT8-770	1-F13	2-58	53106-MJ0-000	1-E8	2-17	64113-MCA-000	1-G11	2-86
50721-MCA-A00	1-F13	2-58	53107-MJ0-000	1-E8	2-17	64114-MCA-000	1-G11	2-86
50740-MCA-000ZA	1-G8	2-81	53108-MJ0-000	1-E8	2-17	64116-MN5-000	1-G11	2-86
50741-MCA-000ZA	1-G8	2-81	53110-MCA-A20	1-E8	2-17	64117-MCA-300	1-G11	2-86
50746-MT8-770	1-F13	2-58	53120-MCA-A20	1-E8	2-17	64118-MCA-300	1-G11	2-86
50750-MB0-000	1-G16	2-97	53130-MCA-000	1-E8	2-17	64119-MCA-300	1-G11	2-86
50815-MCA-000	1-F13	2-59	53145-MCA-000	1-E4	2-8	64120-MCA-A40ZG	1-G11	2-86
50816-MCA-010	1-F13	2-59	53150-MCA-A20	1-E8	2-17	64120-MCA-A40ZH	1-G11	2-86
50817-MCA-000ZA	1-F13	2-59	53165-MCA-000	1-E4	2-8	64120-MCA-A40ZJ	1-G11	2-86
50818-MCA-000	1-F13	2-59	53166-MCA-000	1-E4	2-8	64120-MCA-A40ZK	1-G11	2-86
50820-MT8-770	1-F13	2-59	53170-MCA-006	1-E6	2-12	64120-MCA-A40ZM	1-G11	2-86
51400-MCA-003	1-E11	2-22	53180-MCA-006	1-E7	2-15	64120-MCA-A40ZN	1-G11	2-86
51401-MCA-003	1-E11	2-22	53209-KV7-670	1-F10	2-52	64121-MCA-000	1-G11	2-86
51402-MB7-611	1-E11	2-22	53214-KA4-701	1-E9	2-18	64122-MCA-000	1-G11	2-86
51402-MCA-003	1-E11	2-22	53214-MR7-003	1-E9	2-18	64125-MCA-A40	1-G11	2-86
51403-MCA-003	1-E11	2-22	53219-MCA-A00	1-E9	2-18	64127-MCA-000	1-G11	2-87
51404-MB7-611	1-E11	2-22	53220-MW0-000	1-E9	2-18	64128-MCA-300	1-G11	2-87
51405-KA4-711	1-E11	2-22	53230-MCA-000	1-E8	2-17	64133-MCA-000	1-G11	2-87
51405-MB7-611	1-E11	2-22	53781-SE0-952	1-G4	2-73	64137-MCA-000	1-G11	2-87
51410-MCA-003	1-E11	2-22	57100-MCA-971	1-F1	2-35	64143-MCA-000	1-G11	2-87
51412-KZ3-003	1-E11	2-22				64150-MCA-A20	1-G11	2-87
51414-MCA-003	1-E11	2-22				64152-MCA-000	1-G11	2-87
51415-MCA-003	1-E11	2-22	(6)			64153-MCA-000	1-G11	2-87
51416-KA4-831	1-E11	2-22				64163-MCA-000	1-G11	2-87
51420-MCA-003	1-E11	2-23	61101-MCA-000ZD	1-E10	2-20	64170-MCA-A20	1-G11	2-87
51430-MCA-003	1-E11	2-23	61101-MCA-000ZM	1-E10	2-20	64180-MCA-A40ZA	1-G11	2-87
51432-MCA-003	1-E11	2-23	61101-MCA-000ZQ	1-E10	2-20	64180-MCA-A40ZB	1-G11	2-87
51437-MCA-003	1-E11	2-23	61101-MCA-000ZR	1-E10	2-20	64180-MCA-A40ZC	1-G11	2-87
51447-KZ3-003	1-E11	2-23	61101-MCA-000ZT	1-E10	2-20	64180-MCA-A40ZD	1-G11	2-87
51451-MAJ-G41	1-E11	2-23	61101-MCA-000ZU	1-E10	2-20	64180-MCA-A40ZE	1-G11	2-87
51454-MBR-003	1-E11	2-23	61101-MN4-000	1-G13	2-90	64180-MCA-A40ZF	1-G11	2-87
51454-MCA-003	1-E11	2-23		1-G16	2-96	64204-MCA-000ZD	1-F5	2-42
51490-MCA-003	1-E11	2-23	61102-MCA-000	1-E10	2-20	64204-MCA-000ZM	1-F5	2-42
51500-MCA-781	1-E11	2-23	61103-MCA-000ZD	1-E10	2-20	64204-MCA-000ZQ	1-F5	2-42
51502-MCA-003	1-E11	2-23	61103-MCA-000ZM	1-E10	2-20	64204-MCA-000ZR	1-F5	2-42
51510-MCA-003	1-E11	2-23	61103-MCA-000ZQ	1-E10	2-20	64204-MCA-000ZT	1-F5	2-42
			61103-MCA-000ZR	1-E10	2-21			

PART NUMBER INDEX

Part Number	Grid	Page	Part Number	Grid	Page	Part Number	Grid	Page
64204-MCA-000ZU	1-F5	2-42	64295-MCA-000ZQ	1-G13	2-91	64542-MCA-000	1-G11	2-87
64205-MCA-A20	1-G11	2-87	64295-MCA-000ZR	1-G13	2-91	64543-MCA-000	1-G11	2-87
64214-MCA-000ZD	1-F5	2-43	64295-MCA-000ZT	1-G14	2-92	64544-MCA-000	1-G11	2-87
64214-MCA-000ZM	1-F5	2-43	64295-MCA-000ZU	1-G14	2-92	64547-MCA-000	1-G11	2-87
64214-MCA-000ZQ	1-F5	2-43	64296-MCA-000	1-G14	2-92	64548-MCA-000	1-G11	2-87
64214-MCA-000ZR	1-F5	2-43	64297-MCA-000	1-G14	2-92	64549-MCA-000	1-G11	2-87
64214-MCA-000ZT	1-F5	2-43	64302-MCA-000ZA	1-G14	2-92	66871-KY2-700	1-G14	2-93
64214-MCA-000ZU	1-F5	2-43	64303-MCA-000	1-C2	1-4			
64216-MCA-000ZD	1-G13	2-90	64304-MCA-000	1-C2	1-4	(7)		
64216-MCA-000ZM	1-G13	2-90	64386-MS2-000	1-C1	1-2			
64216-MCA-000ZQ	1-G13	2-90	64410-MCA-780	1-G15	2-94	72147-MCA-671	1-E8	2-17
64216-MCA-000ZR	1-G13	2-90	64412-MCA-000	1-G15	2-94	72148-S10-003	1-E8	2-17
64216-MCA-000ZT	1-G13	2-90	64413-MCA-000	1-G15	2-94	72148-S84-A10	1-E8	2-17
64216-MCA-000ZU	1-G13	2-90	64414-MCA-000	1-G15	2-94	72149-MCA-A41	1-E8	2-17
64228-MCA-300	1-G15	2-94	64415-MCA-780	1-G15	2-94	72149-S10-003	1-E8	2-17
64229-MCA-300	1-G15	2-94	64416-MCA-000	1-G15	2-94	77200-MCA-A20ZA	1-F7	2-46
64231-MCA-000	1-H10	2-116	64419-MCA-000	1-G15	2-94	77200-MCA-A20ZB	1-F7	2-46
64236-MCA-000	1-H10	2-116	64420-MCA-000	1-G15	2-94	77205-286-000	1-F7	2-46
64240-MCA-000ZA	1-E2	2-4	64423-MCA-000	1-G15	2-94	77206-426-000	1-F7	2-46
64242-MCA-000	1-E2	2-4	64425-MCA-000	1-G15	2-95	77211-965-000	1-H8	2-113
64246-MCA-000	1-E2	2-4	64428-MCA-000	1-G15	2-95	77215-MCA-000	1-F7	2-46
64246-MJ4-670	1-G11	2-87	64429-MCA-000	1-G15	2-95	77218-GB2-720	1-E5	2-11
64251-MCA-000	1-E2	2-4	64431-MCA-000	1-G15	2-95		1-G6	2-77
64255-MCA-000ZA	1-G11	2-87	64433-MCA-000	1-G15	2-95	77233-MCA-003	1-F5	2-43
64256-MCA-000ZA	1-G11	2-87	64434-MCA-000	1-G15	2-95	77234-MCA-003	1-F5	2-43
64257-MCA-000	1-G1	2-67	64435-MCA-000	1-G15	2-95	77236-MCA-000	1-F5	2-43
64259-MCA-300	1-E2	2-4	64436-MCA-000	1-G15	2-95	77241-MCA-000	1-F5	2-43
64265-MCA-000	1-G11	2-87	64438-MCA-000	1-G15	2-95	77500-MCA-A20ZA	1-F7	2-46
64266-MCA-000ZA	1-G11	2-87	64439-MCA-000	1-G15	2-95	77500-MCA-A20ZB	1-F7	2-46
64267-MCA-000	1-G1	2-67	64445-MCA-000	1-F5	2-43	78121-SZ3-901	1-E2	2-5
64275-MCA-000	1-G15	2-94	64448-MCA-300	1-G14	2-92			
64276-MCA-000	1-G15	2-94	64450-MCA-780	1-F5	2-43	(8)		
64278-MCA-000	1-G15	2-94	64455-MCA-000	1-F5	2-43			
64279-MCA-000	1-G15	2-94	64460-MCA-780	1-F5	2-43	80100-MCA-000ZD	1-F16	2-65
64282-MCA-000ZD	1-G13	2-90	64501-MCA-000ZA	1-G14	2-92	80100-MCA-000ZM	1-F16	2-65
64282-MCA-000ZM	1-G13	2-90	64502-MCA-000ZD	1-G14	2-92	80100-MCA-000ZQ	1-F16	2-65
64282-MCA-000ZQ	1-G13	2-90	64502-MCA-000ZM	1-G14	2-92	80100-MCA-000ZR	1-F16	2-65
64282-MCA-000ZR	1-G13	2-91	64502-MCA-000ZQ	1-G14	2-92	80100-MCA-000ZT	1-F16	2-65
64282-MCA-000ZT	1-G13	2-91	64502-MCA-000ZR	1-G14	2-92	80100-MCA-000ZU	1-F16	2-65
64282-MCA-000ZU	1-G13	2-91	64502-MCA-000ZT	1-G14	2-92	80101-310-000	1-C12	1-25
64285-MCA-000ZD	1-G13	2-91	64502-MCA-000ZU	1-G14	2-93	80101-MCA-000	1-F16	2-65
64285-MCA-000ZM	1-G13	2-91	64503-MCA-000ZD	1-G14	2-93	80103-MG2-000	1-G16	2-96
64285-MCA-000ZQ	1-G13	2-91	64503-MCA-000ZM	1-G14	2-93	80104-KJ2-000	1-F16	2-65
64285-MCA-000ZR	1-G13	2-91	64503-MCA-000ZQ	1-G14	2-93	80105-028-000	1-G16	2-96
64285-MCA-000ZT	1-G13	2-91	64503-MCA-000ZR	1-G14	2-93	80105-MAH-610	1-G16	2-97
64285-MCA-000ZU	1-G13	2-91	64503-MCA-000ZT	1-G14	2-93	80108-KF9-900	1-F7	2-47
64286-MCA-000	1-G13	2-91	64503-MCA-000ZU	1-G14	2-93	80110-MCA-000	1-G3	2-71
64287-MCA-000	1-G13	2-91	64510-MCA-000	1-G16	2-96	80111-MCA-000	1-G3	2-71
64292-MCA-000ZD	1-G13	2-91	64511-MCA-000	1-G11	2-87	80112-MCA-000	1-G3	2-71
64292-MCA-000ZM	1-G13	2-91	64513-MCA-000	1-G6	2-76	80123-GN5-900	1-F16	2-65
64292-MCA-000ZQ	1-G13	2-91	64514-MCA-000	1-G16	2-96	80201-MCA-000	1-H3	2-103
64292-MCA-000ZR	1-G13	2-91	64515-MCA-000	1-G16	2-96	80202-MCA-000	1-G16	2-97
64292-MCA-000ZT	1-G13	2-91	64516-MCA-000	1-E1	2-2	81111-MCA-000ZD	1-G16	2-97
64292-MCA-000ZU	1-G13	2-91	64517-MCA-000	1-G14	2-93	81111-MCA-000ZM	1-G16	2-97
64295-MCA-000ZD	1-G13	2-91	64525-MCA-000	1-G16	2-96	81111-MCA-000ZQ	1-G16	2-97
64295-MCA-000ZM	1-G13	2-91	64541-MCA-000	1-G11	2-87	81111-MCA-000ZR	1-G16	2-97

PART NUMBER INDEX

Part Number	Grid	Page	Part Number	Grid	Page	Part Number	Grid	Page
81111-MCA-000ZT	1-G16	2-97	81221-MCA-000ZD	1-H3	2-103	81385-MCA-003	1-H7	2-111
81111-MCA-000ZU	1-G16	2-97	81221-MCA-000ZM	1-H3	2-103	81386-MCA-003	1-H7	2-111
81123-MCA-000	1-G16	2-97	81221-MCA-000ZQ	1-H4	2-104	81396-MCA-003	1-H7	2-111
81125-MCA-A40ZG	1-G16	2-97	81221-MCA-000ZR	1-H4	2-104	81399-MCA-000	1-H7	2-111
81125-MCA-A40ZH	1-H1	2-98	81221-MCA-000ZT	1-H4	2-104	81411-MCA-000ZD	1-H5	2-106
81125-MCA-A40ZJ	1-H1	2-98	81221-MCA-000ZU	1-H4	2-104	81411-MCA-000ZM	1-H5	2-106
81125-MCA-A40ZK	1-H1	2-98	81230-MCA-000	1-H4	2-104	81411-MCA-000ZQ	1-H5	2-107
81125-MCA-A40ZM	1-H1	2-98	81231-MCA-000	1-H4	2-104	81411-MCA-000ZR	1-H5	2-107
81125-MCA-A40ZN	1-H1	2-98	81232-MCA-A40	1-H4	2-104	81411-MCA-000ZT	1-H5	2-107
81127-MCA-A40ZA	1-H1	2-98	81241-MCA-000	1-H4	2-104	81411-MCA-000ZU	1-H5	2-107
81127-MCA-A40ZB	1-H1	2-98	81254-MN5-000	1-H4	2-104	81421-MCA-000ZD	1-H5	2-107
81127-MCA-A40ZC	1-H1	2-98	81259-MCA-000	1-H4	2-104	81421-MCA-000ZM	1-H5	2-107
81127-MCA-A40ZD	1-H1	2-98	81261-MCA-000ZD	1-H4	2-104	81421-MCA-000ZQ	1-H5	2-107
81127-MCA-A40ZE	1-H1	2-98	81261-MCA-000ZM	1-H4	2-104	81421-MCA-000ZR	1-H5	2-107
81127-MCA-A40ZF	1-H1	2-98	81261-MCA-000ZQ	1-H4	2-104	81421-MCA-000ZT	1-H5	2-107
81130-MCA-000	1-H1	2-98	81261-MCA-000ZR	1-H4	2-105	81421-MCA-000ZU	1-H5	2-107
81131-MCA-000	1-H1	2-98	81261-MCA-000ZT	1-H4	2-105	81431-MCA-000	1-H5	2-107
81135-MCA-000	1-H1	2-98	81261-MCA-000ZU	1-H4	2-105	81433-MCA-000	1-H5	2-107
81141-MCA-000ZD	1-H1	2-98	81271-MCA-000ZD	1-H4	2-105	81438-MCA-000	1-H5	2-107
81141-MCA-000ZM	1-H1	2-98	81271-MCA-000ZM	1-H4	2-105	81438-MN5-000	1-H5	2-107
81141-MCA-000ZQ	1-H1	2-99	81271-MCA-000ZQ	1-H4	2-105	81439-MN5-000	1-H5	2-107
81141-MCA-000ZR	1-H1	2-99	81271-MCA-000ZR	1-H4	2-105	81441-MCA-000	1-H5	2-107
81141-MCA-000ZT	1-H1	2-99	81271-MCA-000ZT	1-H4	2-105	81461-MCA-000ZD	1-H5	2-107
81141-MCA-000ZU	1-H1	2-99	81271-MCA-000ZU	1-H4	2-105	81461-MCA-000ZM	1-H5	2-107
81161-MCA-000ZD	1-H1	2-99	81272-MCA-300	1-H4	2-105	81461-MCA-000ZQ	1-H5	2-107
81161-MCA-000ZM	1-H1	2-99	81281-MCA-000ZD	1-H4	2-105	81461-MCA-000ZR	1-H5	2-107
81161-MCA-000ZQ	1-H1	2-99	81281-MCA-000ZM	1-H4	2-105	81461-MCA-000ZT	1-H5	2-107
81161-MCA-000ZR	1-H1	2-99	81281-MCA-000ZQ	1-H4	2-105	81461-MCA-000ZU	1-H5	2-107
81161-MCA-000ZT	1-H1	2-99	81281-MCA-000ZR	1-H4	2-105	81471-MCA-000ZD	1-H6	2-108
81161-MCA-000ZU	1-H1	2-99	81281-MCA-000ZT	1-H4	2-105	81471-MCA-000ZM	1-H6	2-108
81162-MCA-000ZD	1-H1	2-99	81281-MCA-000ZU	1-H4	2-105	81471-MCA-000ZQ	1-H6	2-108
81162-MCA-000ZM	1-H1	2-99	81282-MCA-000ZD	1-H4	2-105	81471-MCA-000ZR	1-H6	2-108
81162-MCA-000ZQ	1-H1	2-99	81282-MCA-000ZM	1-H5	2-106	81471-MCA-000ZT	1-H6	2-108
81162-MCA-000ZR	1-H1	2-99	81282-MCA-000ZQ	1-H5	2-106	81471-MCA-000ZU	1-H6	2-108
81162-MCA-000ZT	1-H1	2-99	81282-MCA-000ZR	1-H5	2-106	81481-MCA-000ZD	1-H6	2-108
81162-MCA-000ZU	1-H1	2-99	81282-MCA-000ZT	1-H5	2-106	81481-MCA-000ZM	1-H6	2-108
81163-MCA-000ZD	1-H1	2-99	81282-MCA-000ZU	1-H5	2-106	81481-MCA-000ZQ	1-H6	2-108
81163-MCA-000ZM	1-H1	2-99	81292-MCA-000	1-H5	2-106	81481-MCA-000ZR	1-H6	2-109
81163-MCA-000ZQ	1-H1	2-99	81309-MCA-000	1-H2	2-100	81481-MCA-000ZT	1-H6	2-109
81163-MCA-000ZR	1-H1	2-99	81310-MCA-A22	1-H7	2-111	81481-MCA-000ZU	1-H6	2-109
81163-MCA-000ZT	1-H2	2-100	81312-MCA-003	1-H7	2-111	81482-MCA-000ZD	1-H6	2-109
81163-MCA-000ZU	1-H2	2-100	81321-MCA-780	1-H5	2-106	81482-MCA-000ZM	1-H6	2-109
81171-MCA-000	1-H2	2-100	81322-MCA-780	1-H5	2-106	81482-MCA-000ZQ	1-H6	2-109
81175-MCA-000	1-H10	2-116	81328-MCA-780	1-H2	2-100	81482-MCA-000ZR	1-H6	2-109
81181-MCA-000	1-H2	2-100	81335-MCA-003	1-H7	2-111	81482-MCA-000ZT	1-H6	2-109
81183-MCA-000	1-H2	2-100	81345-MCA-003	1-H7	2-111	81482-MCA-000ZU	1-H6	2-109
81191-MCA-000	1-H2	2-100	81350-MCA-000	1-H5	2-106	82111-MCA-000	1-H2	2-100
81192-MCA-000	1-H2	2-100	81351-MCA-000	1-H5	2-106	82112-MCA-000	1-H2	2-100
81193-MCA-000	1-H2	2-100	81360-MCA-000	1-H7	2-111	82120-MCA-000	1-H2	2-100
81194-MCA-000	1-H2	2-100	81361-MCA-003	1-H7	2-111	82130-MCA-300	1-H2	2-100
81211-MCA-000ZD	1-H3	2-103	81370-MCA-000	1-H7	2-111	82135-MCA-300	1-H2	2-100
81211-MCA-000ZM	1-H3	2-103	81371-MCA-003	1-H7	2-111	82140-MCA-000	1-H2	2-101
81211-MCA-000ZQ	1-H3	2-103	81381-MCA-003	1-H7	2-111	82150-MCA-000	1-H2	2-101
81211-MCA-000ZR	1-H3	2-103	81382-MCA-003	1-H7	2-111	82160-MCA-000	1-H2	2-101
81211-MCA-000ZT	1-H3	2-103	81383-MCA-003	1-H7	2-111	82170-MCA-000	1-H2	2-101
81211-MCA-000ZU	1-H3	2-103	81384-MCA-003	1-H7	2-111	82180-MCA-000	1-H2	2-101

PART NUMBER INDEX

Part Number	Grid	Page	Part Number	Grid	Page	Part Number	Grid	Page
82190-MCA-000	1-H2	2-101	83580-MCA-000	1-C1	1-2	87565-MCA-A50ZB	1-H12	2-120
82211-MCA-000	1-H2	2-101	83590-MCA-003	1-H6	2-109	87565-MCA-A50ZC	1-H12	2-120
82212-MCA-000	1-H2	2-101	83591-MCA-000	1-H6	2-109	87565-MCA-A50ZE	1-H12	2-120
82220-MCA-000	1-H2	2-101	83592-MCA-000	1-H6	2-109	87565-MCA-A50ZF	1-H12	2-120
82260-MCA-000	1-H2	2-101	83600-MCA-000ZD	1-F10	2-52	87565-MCA-A50ZH	1-H12	2-121
82270-MCA-000	1-H2	2-101	83600-MCA-000ZM	1-F10	2-52	87565-MCA-A50ZJ	1-H12	2-121
82310-MCA-000	1-H2	2-101	83600-MCA-000ZQ	1-F10	2-52	88110-MCA-A00ZG	1-G1	2-67
82320-MCA-000	1-H2	2-101	83600-MCA-000ZR	1-F10	2-52	88110-MCA-A00ZM	1-G1	2-67
82330-MCA-000ZA	1-H2	2-101	83600-MCA-000ZT	1-F10	2-52	88110-MCA-A00ZQ	1-G1	2-67
82340-MCA-000ZA	1-H2	2-101	83600-MCA-000ZU	1-F10	2-52	88110-MCA-A00ZR	1-G1	2-67
82350-MCA-000	1-H2	2-101	83601-MB0-000	1-H8	2-113	88110-MCA-A00ZT	1-G1	2-67
82360-MCA-000	1-H2	2-101	83601-MN5-000	1-E3	2-6	88110-MCA-A00ZU	1-G1	2-67
82410-MCA-000	1-H2	2-101		1-F10	2-52	88112-MCA-000ZA	1-G1	2-67
82420-MCA-000	1-H2	2-101		1-G11	2-87	88112-MCA-000ZE	1-G2	2-68
82430-MCA-000ZA	1-H2	2-101		1-H8	2-113	88112-MCA-000ZK	1-G2	2-68
82440-MCA-000ZA	1-H2	2-101	83605-MCA-A40	1-F10	2-52	88112-MCA-000ZM	1-G2	2-68
82450-MCA-000	1-H2	2-101	83610-MCA-000ZA	1-F10	2-52	88112-MCA-000ZN	1-G2	2-68
82871-671-000	1-H6	2-109	83613-MCA-000ZB	1-G8	2-81	88112-MCA-000ZP	1-G2	2-68
83132-MN5-000	1-F5	2-43	83618-323-000	1-G3	2-71	88113-MCA-A00	1-G2	2-68
83140-MCA-000	1-F5	2-43	83700-MCA-000ZD	1-F10	2-53	88120-MCA-A00ZG	1-G2	2-68
83150-MCA-A40	1-F5	2-43	83700-MCA-000ZM	1-F10	2-53	88120-MCA-A00ZM	1-G2	2-68
83152-MCA-000ZD	1-F5	2-43	83700-MCA-000ZQ	1-F10	2-53	88120-MCA-A00ZQ	1-G2	2-68
83152-MCA-000ZM	1-F5	2-43	83700-MCA-000ZR	1-F10	2-53	88120-MCA-A00ZR	1-G2	2-68
83152-MCA-000ZQ	1-F5	2-43	83700-MCA-000ZT	1-F10	2-53	88120-MCA-A00ZT	1-G2	2-68
83152-MCA-000ZR	1-F5	2-43	83700-MCA-000ZU	1-F10	2-53	88120-MCA-A00ZU	1-G2	2-69
83152-MCA-000ZT	1-F5	2-43	83710-MCA-000ZA	1-F10	2-53	88122-MCA-000ZA	1-G2	2-69
83152-MCA-000ZU	1-F5	2-43	83713-MCA-000ZB	1-G9	2-82	88122-MCA-000ZE	1-G2	2-69
83153-MCA-000ZD	1-F5	2-43	84100-MCA-000	1-H8	2-113	88122-MCA-000ZK	1-G2	2-69
83153-MCA-000ZM	1-F6	2-44	84128-MCA-000	1-H8	2-113	88122-MCA-000ZM	1-G2	2-69
83153-MCA-000ZQ	1-F6	2-44	84130-MCA-000	1-H8	2-113	88122-MCA-000ZN	1-G2	2-69
83153-MCA-000ZR	1-F6	2-44	84140-MCA-000	1-H8	2-113	88122-MCA-000ZP	1-G2	2-69
83153-MCA-000ZT	1-F6	2-44	84150-MCA-000ZA	1-F7	2-46	88123-MCA-A00	1-G2	2-69
83153-MCA-000ZU	1-F6	2-44	84155-MCA-000ZA	1-F7	2-46	89010-MCA-780	1-G10	2-84
83160-MCA-000	1-F6	2-44	84201-MCA-000	1-H8	2-113	89101-300-010	1-G10	2-84
83162-MCA-A40	1-F6	2-44	84700-MCA-000	1-F16	2-65	89101-ME5-670	1-G10	2-84
83165-MCA-000	1-F6	2-44	86150-MCA-000	1-E2	2-4	89103-371-000	1-G10	2-84
83175-MCA-000	1-F6	2-44	87111-MCA-A40ZA	1-H2	2-101	89105-MCA-000	1-G10	2-84
83501-MG7-000	1-G8	2-81	87111-MCA-A40ZB	1-H2	2-101	89106-MN5-000	1-H6	2-109
83502-MCA-A00	1-F7	2-47	87111-MCA-A40ZC	1-H2	2-101	89210-MN5-000	1-G10	2-84
83503-MCA-A00	1-F7	2-47	87111-MCA-A40ZD	1-H2	2-101	89211-MR7-000	1-G10	2-84
83504-GE0-000	1-F10	2-52	87111-MCA-A40ZE	1-H2	2-101	89216-MCA-000	1-G10	2-84
83511-MCA-A00	1-H8	2-113	87111-MCA-A40ZF	1-H2	2-101	89221-422-000	1-G10	2-84
83512-MCA-A00	1-H8	2-113	87505-MCA-A00	1-H12	2-120	89221-MJ4-000	1-G10	2-84
83515-MCA-000	1-C1	1-2	87512-MCA-A00	1-H12	2-120	89224-KW9-000	1-G10	2-84
83516-MCA-000	1-C1	1-2	87516-KV6-610	1-F15	2-63	89225-MN5-000	1-G10	2-84
83530-MCA-000	1-C1	1-2	87520-MZ3-300	1-H12	2-120	89226-MN5-000	1-G10	2-84
83551-300-000	1-H8	2-113	87521-MZ3-300	1-H12	2-120	89227-422-000	1-G10	2-84
83551-GE2-000	1-E2	2-4	87523-MZ3-300	1-H12	2-120	89227-MN5-000	1-G10	2-84
	1-F10	2-52	87525-MZ3-300	1-H12	2-120	89228-MN5-000	1-G10	2-84
	1-G11	2-87	87560-MZ0-670	1-H12	2-120	89229-422-000	1-G10	2-84
	1-G15	2-95	87565-MCA-A40ZA	1-H12	2-120			
	1-H8	2-113	87565-MCA-A40ZB	1-H12	2-120			
83561-MCA-A00	1-H8	2-113	87565-MCA-A40ZC	1-H12	2-120			
83564-MCA-D00	1-H8	2-113	87565-MCA-A40ZD	1-H12	2-120			
83565-MCA-000	1-C1	1-2	87565-MCA-A40ZE	1-H12	2-120			
83566-MCA-000	1-C1	1-2	87565-MCA-A40ZF	1-H12	2-120			
						(9)		
						90003-MEC-000	1-C15	1-31
						90003-PT0-000	1-C2	1-4
						90004-GHB-600	1-C5	1-10

PART NUMBER INDEX

Part Number	Grid	Page	Part Number	Grid	Page	Part Number	Grid	Page
90004-GHB-600	1-F11	2-55	90106-KY2-701	1-G14	2-93	90121-MV9-670	1-C6	1-12
90005-MCA-000	1-C13	1-26		1-H2	2-101	90122-463-770	1-C1	1-3
90006-GHB-680	1-C5	1-10	90106-MBA-610	1-E9	2-18	90122-MCA-000	1-F15	2-62
	1-C6	1-13	90106-MBB-000	1-E15	2-31	90123-MCA-000	1-F15	2-63
90006-MM5-640	1-C15	1-31	90106-MBY-000	1-E10	2-21	90124-MCA-300	1-F4	2-41
90008-MCA-000	1-D4	1-41		1-F6	2-44	90125-MCA-300	1-F4	2-41
90009-371-015	1-C15	1-31		1-F13	2-59	90126-MCA-000	1-G9	2-82
90009-MEC-000	1-C15	1-31		1-G9	2-82	90127-MCA-000	1-G9	2-82
90009-MN5-000	1-D2	1-37	90106-MM9-000	1-G6	2-77	90128-MCA-000	1-G9	2-82
90009-PP4-E01	1-D4	1-41	90107-MM5-000	1-G14	2-93	90129-MCA-000	1-G9	2-82
90010-MCA-000	1-C2	1-4	90107-MT3-003	1-E12	2-25	90130-MCA-000	1-F11	2-55
90011-HN0-A00	1-F11	2-55		1-E13	2-27	90131-KPB-751	1-E15	2-31
90011-MEC-000	1-C15	1-31	90108-GN2-008	1-E3	2-6		1-F3	2-38
90011-MW3-601	1-C14	1-28	90108-KV3-000	1-C13	1-26	90131-MY3-781	1-H6	2-109
90012-896-750	1-C15	1-31	90108-MCA-000	1-E8	2-17	90131-MY9-870	1-F2	2-37
90012-MCA-000	1-C2	1-4	90108-MR5-000	1-F14	2-60	90132-MCA-000	1-F3	2-38
90013-430-000	1-C5	1-10	90109-MCA-000	1-H6	2-109		1-F4	2-41
90013-883-000	1-C6	1-12	90109-MR7-000	1-E11	2-23	90132-MZ2-000	1-E14	2-29
90014-952-000	1-C14	1-28	90110-MCA-000	1-F15	2-63	90133-MAT-000	1-E5	2-11
90014-MN5-000	1-C11	1-23	90110-ML7-000	1-F15	2-63	90133-MCA-000	1-F4	2-41
90016-MCA-780	1-C1	1-3	90111-187-000	1-G7	2-79	90134-MAT-000	1-E5	2-11
90017-MCA-000	1-C1	1-3		1-G8	2-80	90134-MCA-000	1-F4	2-41
90018-MCA-000	1-C1	1-3	90111-197-890	1-H8	2-112	90135-MAJ-G41	1-E12	2-25
90019-MB0-000	1-C15	1-31	90111-GE2-760	1-H2	2-101		1-E13	2-27
90019-MCA-780	1-C1	1-3	90111-KW3-003	1-H10	2-116		1-E14	2-29
90021-MM5-000	1-C5	1-10	90111-MCA-000	1-F15	2-63		1-F2	2-37
	1-C14	1-28	90112-MBS-000	1-G9	2-82	90136-428-870	1-F8	2-48
90022-MG8-000	1-D2	1-37	90112-MCA-000	1-F11	2-55		1-H2	2-101
90023-MM5-000	1-C2	1-5	90113-MCA-000	1-E9	2-18	90137-MCA-000	1-F16	2-65
90035-MN5-000	1-C2	1-5	90113-MM5-000	1-E10	2-21		1-G14	2-93
90053-371-980	1-G12	2-89		1-F6	2-44	90138-MCA-000	1-E2	2-4
90071-MB0-000	1-C9	1-19	90114-KFK-000	1-G5	2-75		1-G12	2-88
90081-MC7-000	1-F4	2-41	90114-MG9-951	1-E6	2-12	90138-MCA-003	1-G5	2-75
90086-MCA-000	1-C5	1-10		1-E7	2-15	90139-MCA-000	1-H10	2-116
90086-MZ8-H00	1-C5	1-11	90114-SG0-003	1-G3	2-71	90140-MCA-000	1-H2	2-101
90091-SC3-960	1-H10	2-117		1-G5	2-75	90141-MCA-000	1-G2	2-69
90100-GCT-J50	1-F13	2-59	90115-KW7-900	1-F6	2-44	90142-MCA-000	1-G2	2-69
90101-GE0-000	1-E8	2-17	90115-MAL-600	1-F12	2-57	90145-MCA-971	1-F1	2-35
	1-E9	2-18	90115-MT3-000	1-F13	2-59	90145-MS9-612	1-E5	2-11
90101-KK6-000	1-G9	2-82	90116-383-721	1-E11	2-23		1-E6	2-12
90101-KY6-008	1-E3	2-6	90116-KV3-701	1-E11	2-23		1-E7	2-15
90101-MBB-000	1-G9	2-82	90116-MCA-000	1-G9	2-82		1-E16	2-33
90101-MCA-A20	1-E8	2-17	90116-ME9-000	1-F16	2-65		1-F1	2-35
90103-HC4-770	1-G12	2-88	90116-SP0-003	1-G12	2-88	90147-MCE-950	1-F14	2-60
90104-964-000	1-G12	2-88		1-G15	2-95	90148-SA0-000	1-G12	2-88
	1-H2	2-101	90117-MCA-000	1-G9	2-82	90150-GBT-600	1-F6	2-44
	1-H6	2-109	90118-KY1-000	1-D1	1-35	90153-KF0-000	1-F15	2-63
	1-H7	2-111	90118-MBB-000	1-G12	2-88	90155-MBL-610	1-F13	2-59
90104-MCA-000	1-F7	2-47	90118-MCA-000	1-G12	2-88	90166-SZ3-000	1-G9	2-82
90104-MN4-000	1-E10	2-21	90118-MCA-003	1-E11	2-23	90167-SA0-980	1-G3	2-70
90105-MB1-000	1-G14	2-93	90118-MR1-000	1-F1	2-35		1-G12	2-88
90106-KCR-000	1-F6	2-44		1-H10	2-117	90191-KBG-000	1-E4	2-8
90106-KCZ-000	1-F16	2-65	90119-KV3-680	1-G8	2-80	90201-415-000	1-G1	2-66
90106-KJ6-740	1-H6	2-109	90119-MCA-000	1-H6	2-109	90201-428-900	1-H6	2-109
90106-KY2-701	1-C1	1-3	90120-MAS-E11	1-G16	2-96	90201-MW0-000	1-G9	2-82
	1-G12	2-88	90121-MCA-000	1-F15	2-62	90202-ZV0-000	1-E6	2-12

PART NUMBER INDEX

Part Number	Grid	Page	Part Number	Grid	Page	Part Number	Grid	Page
90202-ZV0-000	1-E7	2-15	90463-MAT-000	1-D1	1-35	90651-KV6-003	1-H10	2-116
90203-MF9-710	1-F14	2-60	90463-ML7-000	1-D3	1-39	90651-MA5-671	1-E6	2-13
90205-MCA-780	1-C13	1-27	90463-MR7-000	1-D1	1-35	90651-MBG-006	1-E16	2-33
90206-MZ0-000	1-C8	1-17	90464-MAT-000	1-D1	1-35	90652-HC4-003	1-F1	2-35
90241-MB0-000	1-C13	1-27	90464-MR7-000	1-D1	1-35	90652-KT1-771	1-C15	1-31
90245-MN5-000	1-C8	1-17	90476-703-000	1-G12	2-88		1-F14	2-60
90301-GE0-000	1-H2	2-101	90485-VM0-000	1-C12	1-24		1-G5	2-75
90301-SM4-901	1-E1	2-2	90487-MB0-000	1-C5	1-11		1-H10	2-116
90302-425-830	1-E9	2-18	90487-MN5-000	1-D2	1-37	90652-MCA-003	1-F4	2-41
90302-MN5-300	1-H3	2-102	90491-MN5-000	1-C8	1-17	90653-MCA-000	1-F4	2-41
90304-GE8-003	1-F15	2-63	90492-MN5-000	1-C12	1-24	90654-MCA-000	1-H7	2-110
90304-HB3-771	1-F11	2-55	90493-MN5-000	1-C13	1-26	90655-MCA-000	1-H7	2-110
90304-MJ4-670	1-E8	2-17	90498-MEC-000	1-D1	1-35	90657-SB0-003	1-E2	2-4
90305-ML7-000	1-E15	2-31	90498-MN5-000	1-C13	1-27		1-E10	2-21
90305-SH3-000	1-E1	2-2	90501-MCA-000	1-H6	2-109		1-G12	2-88
	1-G14	2-93	90502-MCA-000	1-G15	2-95		1-G14	2-93
90306-KF0-003	1-F15	2-63	90502-MS2-000	1-F12	2-57		1-H10	2-116
90307-MCA-000	1-F3	2-38	90504-964-000	1-G12	2-88	90660-ZA0-600	1-F3	2-38
90308-MT8-000	1-F11	2-55	90504-MCA-000	1-F7	2-46	90661-MCA-003	1-F1	2-35
90309-375-003	1-F15	2-62	90505-MCA-000	1-H3	2-102	90662-MCA-971	1-F1	2-35
90310-MCA-000	1-G9	2-82	90506-425-830	1-E9	2-18	90663-MCA-971	1-F1	2-35
90312-MCA-000	1-G9	2-82	90506-430-000	1-H6	2-109	90664-MCA-003	1-F1	2-35
90312-MT3-000	1-G3	2-71	90507-921-000	1-G12	2-88	90671-MCA-000	1-G9	2-82
90315-MCA-006	1-E16	2-33	90512-300-000	1-G12	2-88	90677-KAN-961	1-E10	2-21
90315-MK3-003	1-G8	2-80	90512-KF9-900	1-H6	2-109		1-G14	2-93
90320-747-000	1-G14	2-93	90512-MBY-000	1-G6	2-77	90679-SG9-E01	1-G5	2-75
90320-GE2-760	1-G14	2-93	90522-028-000	1-G7	2-79	90683-KJ2-003	1-F1	2-35
90320-MM5-000	1-G1	2-66	90543-MV9-670	1-C1	1-3	90690-GHB-651	1-G5	2-75
	1-G14	2-93	90544-283-000	1-E11	2-23	90690-GHB-671	1-G4	2-72
	1-H6	2-109	90545-300-000	1-E5	2-11		1-G5	2-75
90351-MCA-003	1-F4	2-41		1-E6	2-12	90690-GHB-681	1-G5	2-75
90355-MCA-000	1-F15	2-62		1-E7	2-15	90690-MCA-003	1-F1	2-35
90381-MT3-000	1-F4	2-41		1-E16	2-33	90701-MCA-010	1-C16	1-33
90402-MCA-A01	1-C13	1-26		1-F1	2-35	90702-371-000	1-C15	1-31
90403-MN5-000	1-C8	1-17	90545-323-700	1-F11	2-55	90702-MN5-000	1-C12	1-24
90405-MCA-780	1-C5	1-11	90554-MCA-000	1-D1	1-35	90852-898-000	1-H11	2-118
90406-422-000	1-D2	1-37	90556-MB4-000	1-G3	2-71	91001-147-006	1-C12	1-24
90407-MJ0-000	1-C8	1-17	90589-VD6-901	1-G12	2-88	91001-MN5-008	1-C9	1-19
90409-ML4-610	1-C12	1-24	90601-473-003	1-G12	2-88	91001-MN8-911	1-D1	1-35
90417-360-000	1-D2	1-37	90601-KJ9-000	1-H10	2-117	91002-KY4-901	1-D1	1-35
90428-PD6-003	1-D4	1-41	90601-MB0-771	1-C8	1-17	91002-MN5-003	1-C10	1-21
90430-PD6-003	1-D4	1-41	90601-MCA-A00	1-F14	2-60	91003-MCA-003	1-C13	1-27
90435-422-000	1-G12	2-88	90601-MG8-000	1-C8	1-17	91004-MCA-003	1-D1	1-35
90438-463-000	1-C15	1-31	90602-MCA-A00	1-F14	2-60	91005-MCA-003	1-D1	1-35
90440-GT4-970	1-F15	2-62	90602-MG8-000	1-C8	1-17	91006-MT3-003	1-C10	1-21
90441-MG8-000	1-C15	1-31	90604-MCA-780	1-D1	1-35	91007-MN5-003	1-C12	1-24
90442-397-000	1-C5	1-11	90604-MM5-000	1-D1	1-35		1-D2	1-37
90443-MJ6-000	1-C15	1-31	90620-SB2-003	1-G5	2-75	91008-362-000	1-C8	1-17
90443-ZG3-000	1-G12	2-88	90649-SC2-003	1-G4	2-72	91008-374-003	1-D2	1-37
90452-MAT-000	1-D1	1-35		1-G5	2-75	91008-KK6-000	1-C8	1-17
90452-MCA-000	1-D1	1-35	90650-KV6-003	1-E4	2-8	91010-HC0-003	1-C8	1-17
90454-MC7-000	1-C2	1-5		1-F11	2-55	91011-KK6-013	1-C8	1-17
90455-ML7-000	1-D1	1-35		1-G5	2-75	91011-MN5-003	1-C10	1-21
90456-333-000	1-C14	1-28	90651-377-003	1-E7	2-15	91015-KT8-005	1-E9	2-18
90456-MA6-000	1-C13	1-26	90651-KV6-003	1-G5	2-75	91015-MCA-003	1-C10	1-21
90459-357-000	1-D1	1-35		1-G9	2-82	91016-MR7-003	1-E9	2-18

PART NUMBER INDEX

Part Number	Grid	Page	Part Number	Grid	Page	Part Number	Grid	Page
91023-MM5-641	1-D1	1-35	91317-171-003	1-H7	2-110	93893-04012-07	1-E7	2-15
91024-GJ5-003	1-C10	1-21	91317-MCA-A00	1-D3	1-39		1-E16	2-33
91024-MN5-003	1-C13	1-26	91320-MB0-000	1-C9	1-19	93893-04012-17	1-E6	2-13
91027-MCA-003	1-C13	1-26	91352-GAZ-930	1-H7	2-110		1-E7	2-15
91051-727-000	1-C12	1-24	91352-SA5-952	1-C14	1-29		1-E16	2-33
91051-MCA-003	1-F4	2-41	91356-MW0-003	1-E11	2-23	93893-05032-08	1-E4	2-9
91052-MCA-003	1-F4	2-41	91359-MG9-003	1-F4	2-41	93893-06012-07	1-H3	2-102
91055-MCA-003	1-E15	2-31	91405-MG1-000	1-H3	2-102	93894-04025-00	1-G15	2-95
91059-MG9-681	1-E8	2-17	91405-PD1-004	1-D5	1-42	93894-05030-08	1-E9	2-18
91061-MT3-003	1-F4	2-41	91406-SL4-931	1-D5	1-42	93901-24680	1-E2	2-4
91066-MCA-003	1-F15	2-62	91410-679-000	1-F8	2-48	93901-25380	1-H3	2-102
91071-MY1-005	1-F16	2-64	91411-679-000	1-G6	2-77		1-H7	2-110
91072-MY1-005	1-F16	2-64	91508-MM5-000	1-F9	2-50	93901-32120	1-E4	2-9
91101-121-691	1-C12	1-24	91549-MW0-790ZA	1-G4	2-72		1-E8	2-17
91101-KG8-003	1-E11	2-23		1-G7	2-79	93901-32220	1-E4	2-9
91202-965-003	1-C15	1-31		1-G8	2-80	93901-32320	1-E4	2-9
91204-MB0-013	1-D2	1-37		1-G14	2-93		1-F6	2-44
91204-MN5-005	1-C11	1-22		1-G15	2-95	93901-34320	1-E1	2-3
91208-MN1-771	1-C14	1-28	91551-883-T00	1-G15	2-95	93901-34520	1-G3	2-70
91208-MN5-003	1-C11	1-22	91556-SP0-003	1-G6	2-77	93903-22210	1-H3	2-102
91209-MB0-003	1-C6	1-13	91571-MCA-P00	1-G5	2-75	93903-22280	1-G15	2-95
91212-422-006	1-E16	2-33	92101-06012-0A	1-F4	2-41	93903-22380	1-G15	2-95
91220-MG8-003	1-C7	1-15	92301-06008-0A	1-G12	2-89	93903-24020	1-G12	2-89
91253-443-761	1-E15	2-31	92501-06012-0A	1-F13	2-59	93903-24280	1-F6	2-45
91253-443-762	1-E15	2-31	92800-14000	1-C6	1-13		1-G12	2-89
91254-KS6-003	1-F16	2-64	93201-06045-0G	1-E5	2-11		1-G14	2-93
91254-MCA-003	1-E11	2-23	93401-06012-08	1-G8	2-80		1-G15	2-95
91257-MAY-003	1-E15	2-31	93403-06016-00	1-D5	1-42		1-H3	2-102
91261-ME9-005	1-F15	2-62	93404-06012-07	1-H10	2-116		1-H7	2-110
91262-KV3-831	1-F16	2-64	93404-06012-08	1-H10	2-116	93903-24310	1-E2	2-4
91262-MY3-003	1-F4	2-41	93404-06025-07	1-E1	2-3	93903-24380	1-G6	2-77
91265-MCA-003	1-F4	2-41	93404-06030-07	1-G14	2-93		1-G14	2-93
91301-MG8-003	1-C8	1-17	93413-06016-00	1-D5	1-42	93903-24420	1-E2	2-4
91301-ML7-003	1-C6	1-13	93500-04020-0H	1-E1	2-3		1-E3	2-6
91301-PLC-000	1-D5	1-43	93500-05010-0G	1-E8	2-17	93903-25080	1-H3	2-102
91302-001-020	1-F4	2-41	93500-05010-1G	1-E8	2-17	93903-25180	1-F10	2-53
91302-KE8-003	1-C14	1-28	93500-05014-0G	1-H7	2-110	93903-25280	1-G6	2-77
91302-MAL-601	1-C15	1-31	93500-06008-0A	1-G12	2-89		1-H3	2-102
91302-MB0-013	1-C6	1-12	93500-06008-0H	1-G12	2-89		1-H7	2-110
91302-MCA-000	1-D4	1-41	93500-06008-1H	1-G12	2-89	93903-25380	1-F6	2-45
91302-MG8-003	1-C8	1-17	93600-04012-0G	1-E6	2-13		1-F7	2-46
91302-PLC-000	1-D5	1-43		1-E7	2-15		1-G5	2-75
91304-MC7-003	1-C11	1-22	93600-04012-1G	1-E6	2-13		1-G14	2-93
91304-MCA-A00	1-C6	1-12		1-E7	2-15		1-H3	2-102
91304-MN5-003	1-C11	1-22	93891-05010-08	1-H10	2-116	93903-25480	1-F9	2-50
91307-035-000	1-C11	1-22	93891-05020-08	1-G2	2-69	93913-14580	1-H10	2-117
91308-MB0-003	1-C7	1-15	93892-05008-08	1-G6	2-77	93913-25420	1-F9	2-50
91309-MN5-008	1-C9	1-19	93892-05010-08	1-E4	2-9	94001-04000-0S	1-C15	1-31
91309-PX4-003	1-C5	1-11	93892-05012-00	1-D4	1-40	94002-06000-0S	1-G12	2-89
91313-MB0-003	1-C11	1-22	93892-05012-10	1-D4	1-40	94002-06080-0S	1-G4	2-72
	1-C14	1-28	93892-05016-08	1-H10	2-116	94002-08000-0S	1-E16	2-33
91313-MG7-004	1-C11	1-22	93892-05020-08	1-E4	2-9	94002-08080-0S	1-E16	2-33
	1-C14	1-28	93892-05022-00	1-D4	1-40	94050-04000	1-E1	2-3
91315-MCA-A00	1-D3	1-39	93892-05025-07	1-E4	2-9	94050-05000	1-H7	2-110
91316-MCA-A00	1-D3	1-39	93892-05045-07	1-E4	2-9	94050-05080	1-E1	2-3
91316-PT6-003	1-C11	1-22	93893-04012-07	1-E6	2-13		1-E10	2-21

PART NUMBER INDEX

Part Number	Grid	Page	Part Number	Grid	Page	Part Number	Grid	Page
94050-05080	1-G1	2-66	95701-06012-00	1-F16	2-64	96001-06012-00	1-G5	2-75
	1-G3	2-70	95701-06012-08	1-C1	1-3		1-G12	2-89
94050-06000	1-G12	2-89		1-C11	1-22		1-G16	2-96
94050-06070	1-F6	2-45	95701-06014-08	1-C7	1-14	96001-06012-07	1-C2	1-5
94050-06080	1-E3	2-6	95701-06016-00	1-D5	1-43		1-E5	2-11
	1-G4	2-72		1-G7	2-79		1-E8	2-17
94050-08000	1-H9	2-114	95701-06016-08	1-C5	1-11		1-F1	2-35
94050-10000	1-G9	2-83		1-C7	1-14		1-H7	2-110
94050-12000	1-G9	2-83		1-C11	1-22	96001-06014-00	1-E16	2-33
94101-05800	1-E10	2-21		1-C12	1-25		1-H11	2-119
94101-06000	1-F11	2-55		1-C14	1-29	96001-06014-07	1-H10	2-117
94101-06080	1-F11	2-55		1-C15	1-31	96001-06016-00	1-E15	2-31
94101-06800	1-F11	2-55		1-D2	1-37		1-F1	2-35
94101-08000	1-F13	2-59		1-D3	1-39		1-G4	2-72
94103-05700	1-F7	2-46		1-G4	2-73		1-G4	2-73
94103-06000	1-G12	2-89	95701-06018-07	1-C5	1-11		1-G6	2-77
94103-08000	1-F11	2-55	95701-06020-00	1-H11	2-119		1-G12	2-89
94109-14000	1-C7	1-14	95701-06020-08	1-D3	1-39	96001-06016-07	1-F8	2-48
	1-F4	2-41		1-F1	2-35		1-G1	2-66
94111-05000	1-C9	1-19	95701-06022-08	1-C12	1-25		1-G4	2-72
94111-06000	1-F11	2-55		1-D2	1-37		1-G6	2-77
94111-06800	1-G4	2-72		1-E16	2-33	96001-06018-00	1-E1	2-3
94201-20150	1-E16	2-33	95701-06032-08	1-C12	1-24	96001-06020-00	1-E15	2-31
	1-F13	2-59		1-F1	2-35	96001-06022-00	1-G14	2-93
94251-08000	1-F13	2-59	95701-06035-00	1-C7	1-14		1-G16	2-96
94251-12000	1-C6	1-12	95701-06035-08	1-C15	1-31	96001-06025-00	1-C2	1-5
94301-06100	1-C7	1-15	95701-06038-08	1-C7	1-15		1-E5	2-11
94301-08140	1-C7	1-14		1-C14	1-29		1-F1	2-35
	1-C7	1-15	95701-06045-08	1-C2	1-5	96001-06025-07	1-E5	2-11
	1-C12	1-24		1-C7	1-14	96001-06028-00	1-H3	2-102
	1-C14	1-29		1-C12	1-25	96001-06030-00	1-H7	2-110
94301-08200	1-C2	1-5	95701-06065-08	1-C6	1-12	96001-06030-07	1-E5	2-11
94301-10160	1-C11	1-22	95701-08010-08	1-G6	2-77	96001-06040-00	1-G12	2-89
94301-12200	1-C2	1-5	95701-08018-08	1-D1	1-35	96001-06045-00	1-G12	2-89
	1-C15	1-31	95701-08025-00	1-F16	2-64	96140-60040-00	1-C13	1-26
94301-14200	1-F4	2-41	95701-08028-08	1-C11	1-22	96211-08000	1-F13	2-59
94303-04065	1-C15	1-31	95701-08035-00	1-E9	2-19	96220-40148	1-D2	1-37
94303-10160	1-F4	2-41	95701-08038-08	1-C9	1-18	96220-40158	1-C14	1-29
94510-10000	1-G12	2-89		1-C9	1-19	96300-06010-07	1-H9	2-114
94510-14000	1-D2	1-37	95701-08040-08	1-D2	1-37	96300-06016-00	1-D3	1-39
94510-17000	1-C8	1-17	95701-08045-00	1-F11	2-55	96300-06020-00	1-F12	2-57
94510-20000	1-C12	1-24	95701-08045-08	1-C11	1-22	96300-08020-00	1-H9	2-114
94510-22000	1-C13	1-27	95701-08055-02	1-F12	2-56	96300-08025-00	1-H9	2-114
94520-18000	1-C7	1-15	95701-08060-08	1-C10	1-20	96300-08030-07	1-F14	2-60
94520-35100	1-C8	1-17	95801-06012-08	1-C1	1-3	96300-08032-00	1-F12	2-57
95002-02100	1-G7	2-79	95801-06025-07	1-E5	2-11	96300-10040-00	1-G9	2-83
95002-02120	1-G7	2-79		1-E6	2-13	96400-06016-00	1-D3	1-39
95003-37042-31	1-F9	2-50	95801-06028-08	1-C5	1-11	96400-08020-00	1-H9	2-114
95005-12001-10M	1-C15	1-31		1-C12	1-24	96400-08040-00	1-H9	2-114
95005-35001-20M	1-D4	1-40	95801-06030-07	1-E5	2-11	96400-08045-00	1-H9	2-114
	1-D5	1-42	96001-06010-00	1-C1	1-3	96400-10035-00	1-E8	2-17
	1-H11	2-118		1-G4	2-73	96400-10035-07	1-F14	2-61
95005-45001-20M	1-H11	2-118	96001-06012-00	1-D3	1-39	96600-06020-17	1-E6	2-13
95005-55008-10M	1-G7	2-79		1-D5	1-42		1-E7	2-15
95005-80001-20M	1-F8	2-48		1-E10	2-21	96600-08070-17	1-F7	2-46
95015-54000	1-E16	2-33		1-F12	2-56	98079-5514E	1-C2	1-5

PART NUMBER INDEX

Part Number	Grid	Page	Part Number	Grid	Page	Part Number	Grid	Page
98079-5515E	1-C2	1-5						
98079-5614E	1-C2	1-5						
98079-5714E	1-C2	1-5						
98079-5715E	1-C2	1-5						
98200-40500	1-G5	2-75						
98200-40750	1-G5	2-75						
98200-41000	1-G5	2-75						
98200-41500	1-G5	2-75						
98200-42000	1-G5	2-75						
98200-43000	1-G5	2-75						
99003-50000	1-G10	2-85						
99008-02000	1-G10	2-84						

Description Index

DESCRIPTION INDEX

Description	Grid	Page	Ref	Description	Grid	Page	Ref
(A)				BEARING B, CONNECTING ROD (BLACK) (DAIDO) . . .	1-C16	1-33	8
ABS CONTROL UNIT	1-G6	2-76	11	BEARING B, MAIN (BLACK)	1-C16	1-33	12
ACTUATOR ASSY.	1-H10	2-117	6	BEARING, BALL (16005) (NTN CORP.)	1-D2	1-37	24
ACTUATOR ASSY., REVERSE SHIFT	1-C12	1-25	6	BEARING C, CONNECTING ROD (BROWN) (DAIDO) . .	1-C16	1-33	8
AIR GUIDE, L. RADIATOR	1-G8	2-80	4	BEARING C, MAIN (BROWN)	1-C16	1-33	12
AIR GUIDE, R. RADIATOR	1-G8	2-80	2	BEARING D, CONNECTING ROD (GREEN) (DAIDO) . .	1-C16	1-33	8
ALTERNATOR ASSY.	1-C9	1-18	1	BEARING D, MAIN (GREEN)	1-C16	1-33	12
ANTENNA ASSY., RADIO	1-H9	2-115	10	BEARING E, CONNECTING ROD (YELLOW) (DAIDO) .	1-C16	1-33	8
ARM B, GEARSHIFT	1-D2	1-36	12	BEARING E, MAIN (YELLOW)	1-C16	1-33	12
ARM, FR. POCKET	1-G15	2-94	15	BEARING, FR.	1-C9	1-18	7
ARM, GEARSHIFT	1-D2	1-36	11	BEARING, HEAD PIPE	1-E9	2-18	17
ARM, L. STEP	1-F13	2-58	7	BEARING, HEAD PIPE (UPPER)	1-E9	2-18	16
ARM, R. STEP	1-F13	2-58	1	BEARING, NEEDLE	1-C12	1-24	26
ARM, SHIFT DRUM LOCK	1-C11	1-23	16	BEARING, NEEDLE (12MM) (TOMUSON)	1-C12	1-24	23
ARM SUB-ASSY., CUSHION	1-F15	2-63	6	BEARING, NEEDLE (12X16X10)	1-C10	1-21	15
AUDIO UNIT	1-H9	2-115	1	BEARING, NEEDLE (14X20X12)	1-E11	2-23	38
AXLE, FR. WHEEL	1-E15	2-30	7	BEARING, NEEDLE (17X24X17)	1-F16	2-64	20
(B)				BEARING, NEEDLE (20X24X17)	1-C12	1-24	25
BAG, TOOL	1-G10	2-84	2	BEARING, NEEDLE (20X26X20)	1-F16	2-64	21
BAG, TOOL (200MM)	1-G10	2-84	2	BEARING, NEEDLE (22MM)	1-D1	1-35	35
BALL, STEEL (#8) (1/4)	1-F13	2-59	30	BEARING, NEEDLE (25X29X17) (NTN CORP.)	1-D1	1-35	34
BAND, BATTERY	1-G3	2-71	13	BEARING, NEEDLE (28X35X60)	1-C13	1-26	14
BAND, INSULATOR	1-C2	1-4	7	BEARING, NEEDLE (30X47X23)	1-F4	2-41	26
BAND, L. MUFFLER	1-F11	2-55	21	BEARING, NEEDLE (36X41X18.3)	1-C13	1-26	15
BAND, R. MUFFLER	1-F11	2-55	20	BEARING, RADIAL BALL (100X125X26)	1-F4	2-41	25
BAND, SUCTION HOSE	1-G5	2-75	33	BEARING, RADIAL BALL (16003)	1-C8	1-17	27
BAND, TOOL	1-F16	2-65	5	BEARING, RADIAL BALL (22X52X15)	1-C13	1-27	13
BAND, TOOL SETTING	1-G10	2-84	4	BEARING, RADIAL BALL (28X75X19) (NTN CORP.) . .	1-D1	1-35	33
BAND, WIRE	1-C15	1-31	28	BEARING, RADIAL BALL (6004) (X2) (LU)	1-E15	2-31	19
	1-E4	2-8	36	BEARING, RADIAL BALL (6004R)	1-C13	1-26	16
	1-F11	2-55	44	BEARING, RADIAL BALL (6010) (NTN CORP.)	1-C10	1-21	12
	1-F14	2-60	16	BEARING, RADIAL BALL (6010) (NTN CORP.)	1-C10	1-21	13
	1-G5	2-75	30	BEARING, RADIAL BALL (6206) (TOYO)	1-C10	1-21	13
	1-G5	2-75	31	BEARING, RADIAL BALL (6206) (NTN CORP.)	1-D1	1-35	32
	1-G5	2-75	32	BEARING, RADIAL BALL (63/22)	1-D1	1-35	32
	1-G9	2-82	28	BEARING, RADIAL BALL (6904) (NTN CORP.)	1-C12	1-24	24
	1-H10	2-116	24		1-D2	1-37	23
	1-H10	2-116	25	BEARING, RADIAL BALL (6905)	1-C10	1-21	14
BAND, WIRE HARNESS	1-G5	2-75	28	BEARING, RADIAL BALL (QJ3/28V1)	1-F4	2-41	27
BAND, WIRE HARNESS (WHITE)	1-G4	2-72	18	BEARING, RR.	1-C9	1-18	5
	1-G5	2-75	29	BEARING SET, NEEDLE	1-F3	2-39	1
BAR, SIDE STAND	1-F14	2-60	7	BEARING, TAPER ROLLER (25X47X15)	1-F15	2-62	14
BASE, CONTACT	1-E8	2-16	5	BEARING, THRUST	1-C16	1-33	11
BASE, LICENSE LIGHT	1-G3	2-70	8	BLOCK ASSY., CYLINDER	1-C15	1-30	1
BATTERY	1-E8	2-17	21	BODY, ADJUSTER	1-G11	2-87	33
BATTERY (CR2025)	1-E8	2-17	21	BODY ASSY., THROTTLE (GQ61A A)	1-D4	1-40	6
BATTERY (YTX20L-BS) (YUASA)	1-G3	2-71	1	BODY, L. ARMREST	1-H2	2-101	49
BEAM, L. ENGINE SUPPORT	1-G8	2-81	5	BODY, L. SADDLEBAG *NHA27M* (BILLET SILVER			
BEAM, R. ENGINE SUPPORT	1-G8	2-81	4	METALLIC)	1-H5	2-107	23
BEARING A, CONNECTING ROD (BLUE) (DAIDO)	1-C16	1-33	8	BODY, L. SADDLEBAG *NHA29* (ARCTIC WHITE)	1-H5	2-107	23
BEARING A, MAIN (BLUE)	1-C16	1-33	12	BODY, L. SADDLEBAG *NHA45M* (PORTLAND GRAY			
				METALLIC)	1-H5	2-107	23
				BODY, L. SADDLEBAG *PB356M* (NOVA BLUE			
				METALLIC)	1-H5	2-107	23
				BODY, L. SADDLEBAG *R287M* (BLOODSTONE RED			
				METALLIC)	1-H5	2-106	23

DESCRIPTION INDEX

Description	Grid	Page	Ref	Description	Grid	Page	Ref
BODY, L. SADDLEBAG *Y130P* (PEARL HOT ROD YELLOW)	1-H5	2-106	23	BOLT, FLANGE (6MM)	1-H10	2-116	23
BODY, R. ARMREST	1-H2	2-101	43	BOLT, FLANGE (6X10)	1-C1	1-3	27
BODY, R. SADDLEBAG *NHA27M* (BILLET SILVER METALLIC)	1-H3	2-103	5	1-F11	2-55	38
BODY, R. SADDLEBAG *NHA29* (ARCTIC WHITE) ...	1-H3	2-103	5	1-G4	2-73	14
BODY, R. SADDLEBAG *NHA45M* (PORTLAND GRAY METALLIC)	1-H3	2-103	5	1-H9	2-114	20
BODY, R. SADDLEBAG *PB356M* (NOVA BLUE METALLIC)	1-H3	2-103	5	BOLT, FLANGE (6X10) (NSHF)	1-C5	1-10	14
BODY, R. SADDLEBAG *R287M* (BLOODSTONE RED METALLIC)	1-H3	2-103	5	1-F11	2-55	37
BODY, R. SADDLEBAG *Y130P* (PEARL HOT ROD YELLOW)	1-H3	2-103	5	BOLT, FLANGE (6X12)	1-C1	1-3	26
BODY, SCAVENGE OIL PUMP STRAINER	1-C10	1-21	4	1-C2	1-5	25
BODY SET	1-D4	1-40	7	1-C11	1-22	23
BOLT (5X13)	1-G3	2-71	15	1-D3	1-39	28
.....	1-G5	2-75	26	1-D5	1-42	22
BOLT (5X39)	1-C9	1-19	14	1-E5	2-11	32
BOLT A, PIN (NISSIN)	1-E12	2-24	12	1-E8	2-17	31
.....	1-E13	2-26	11	1-E10	2-21	21
.....	1-E14	2-28	11	1-F1	2-35	44
BOLT, ADJUSTING (M20-43.5)	1-G9	2-82	18	1-F12	2-56	50
BOLT, ADJUSTING (M22-40)	1-G9	2-82	20	1-F16	2-64	24
BOLT, ADJUSTING (M22-47)	1-G9	2-82	19	1-G5	2-75	39
BOLT, BANJO (12MM)	1-D4	1-41	13	1-G12	2-89	67
BOLT, BRAKE DISK (6X17)	1-E15	2-31	16	1-G16	2-96	9
BOLT, CAP (6X12)	1-F13	2-59	26	1-H7	2-110	59
BOLT, CHANGE PIVOT	1-F12	2-57	6	BOLT, FLANGE (6X12) (CT200)	1-C6	1-12	7
BOLT, CONNECTING ROD	1-C16	1-33	7	BOLT, FLANGE (6X14)	1-C7	1-14	21
BOLT, DRAIN PLUG (14MM)	1-C6	1-13	18	1-C14	1-28	12
BOLT, FLANGE	1-C9	1-18	9	1-E16	2-33	31
BOLT, FLANGE (10X120)	1-C15	1-31	20	1-H10	2-117	12
.....	1-C15	1-31	21	1-H11	2-119	18
BOLT, FLANGE (10X197)	1-C15	1-31	22	BOLT, FLANGE (6X16)	1-C5	1-11	24
BOLT, FLANGE (10X32)	1-F2	2-37	20	1-C7	1-14	22
BOLT, FLANGE (10X35)	1-E8	2-17	32	1-C11	1-22	24
.....	1-F14	2-61	18	1-C12	1-25	8
BOLT, FLANGE (10X38)	1-F4	2-41	20	1-C14	1-29	20
BOLT, FLANGE (10X40)	1-G9	2-83	32	1-C15	1-31	37
BOLT, FLANGE (10X55)	1-F15	2-63	17	1-D2	1-37	27
BOLT, FLANGE (10X60) (LEFT HAND THREAD)	1-F14	2-60	14	1-D3	1-39	26
BOLT, FLANGE (10X62)	1-G9	2-82	15	1-D3	1-39	29
BOLT, FLANGE (10X85)	1-G9	2-82	14	1-D5	1-43	8
BOLT, FLANGE (12X72)	1-G9	2-82	22	1-E15	2-31	22
BOLT, FLANGE (12X84)	1-G9	2-82	24	1-F1	2-35	45
BOLT, FLANGE (12X92)	1-G9	2-82	21	1-F8	2-48	22
.....	1-G9	2-82	23	1-G1	2-66	13
BOLT, FLANGE (12X99)	1-F15	2-63	16	1-G4	2-72	24
BOLT, FLANGE (5X14)	1-C15	1-31	23	1-G4	2-72	25
BOLT, FLANGE (6MM)	1-F16	2-65	8	1-G4	2-73	13
.....	1-G7	2-79	31	1-G6	2-77	28
.....	1-G8	2-80	8	1-G6	2-77	29
.....	1-H2	2-101	57	1-G7	2-79	37
.....	1-H8	2-112	19	BOLT, FLANGE (6X18)	1-G12	2-89	68
				1-C5	1-11	25
				1-E1	2-3	24
				BOLT, FLANGE (6X20)	1-C11	1-23	18
				1-D1	1-35	19
				1-D3	1-39	27
				1-E15	2-31	23

DESCRIPTION INDEX

Description	Grid	Page	Ref	Description	Grid	Page	Ref
BOLT, FLANGE (6X20)	1-F1	2-35	42	BOLT, FLANGE (8X45)	1-C11	1-22	26
	1-F12	2-57	8		1-E8	2-17	25
	1-H11	2-119	17		1-E11	2-23	33
BOLT, FLANGE (6X22)	1-C12	1-25	9		1-E12	2-25	22
	1-D2	1-37	28		1-E13	2-27	22
	1-E16	2-33	30		1-E14	2-29	22
	1-G14	2-93	34		1-F2	2-37	21
	1-G16	2-96	10		1-F11	2-55	48
BOLT, FLANGE (6X25)	1-C2	1-5	26		1-H9	2-114	24
	1-C6	1-12	8	BOLT, FLANGE (8X55)	1-F12	2-56	49
	1-E5	2-11	30	BOLT, FLANGE (8X60)	1-C10	1-20	19
	1-E5	2-11	33	BOLT, FLANGE (9X73)	1-C2	1-4	17
	1-E5	2-11	34	BOLT, FLANGE (9X89)	1-C2	1-4	18
	1-E6	2-13	21	BOLT, FLANGE KNOCK (7X22)	1-C5	1-10	18
	1-F1	2-35	46	BOLT, FLANGE SOCKET (8X32)	1-E5	2-11	25
BOLT, FLANGE (6X28)	1-C5	1-10	15	BOLT, FLANGE SOCKET (8X35)	1-F11	2-55	40
	1-C5	1-11	26	BOLT, FR. AXLE	1-E15	2-31	18
	1-C6	1-13	15	BOLT, FR. FENDER SETTING	1-G6	2-77	20
	1-C12	1-24	30	BOLT, FR. FORK	1-E11	2-23	24
	1-H3	2-102	71		1-E11	2-23	25
BOLT, FLANGE (6X30)	1-E5	2-11	31	BOLT, HANDLEBAR	1-E6	2-12	14
	1-E5	2-11	35		1-E7	2-15	18
	1-H7	2-110	60	BOLT, HEAD COVER	1-C1	1-3	20
BOLT, FLANGE (6X32)	1-C12	1-24	29		1-C1	1-3	21
	1-F1	2-35	43		1-C1	1-3	22
BOLT, FLANGE (6X35)	1-C7	1-14	23	BOLT, HEX. (6X12)	1-F4	2-41	32
	1-C15	1-31	38	BOLT, HEX. (6X45)	1-E5	2-11	29
BOLT, FLANGE (6X38)	1-C7	1-15	9	BOLT, HEX. (8X17)	1-D2	1-37	18
	1-C14	1-29	21	BOLT, HEX. (8X25)	1-C13	1-26	10
BOLT, FLANGE (6X40)	1-G12	2-89	69	BOLT, L. SWINGARM PIVOT	1-F15	2-62	10
BOLT, FLANGE (6X45)	1-C2	1-5	24	BOLT, MAIN STEP RUBBER SETTING	1-F13	2-59	24
	1-C7	1-14	24	BOLT, OIL (10X10.6)	1-F1	2-35	32
	1-C12	1-25	10	BOLT, OIL (10X22)	1-E5	2-11	27
	1-G12	2-89	70		1-E6	2-12	15
BOLT, FLANGE (6X50)	1-C2	1-4	16		1-E7	2-15	19
BOLT, FLANGE (6X60)	1-C14	1-28	11		1-E16	2-33	21
BOLT, FLANGE (6X65)	1-C6	1-12	12		1-F1	2-35	33
BOLT, FLANGE (8X10)	1-G6	2-77	27	BOLT, ONE-WAY (8X34)	1-E8	2-17	26
BOLT, FLANGE (8X135)	1-C15	1-31	19	BOLT, PIN	1-F2	2-36	14
BOLT, FLANGE (8X18)	1-D1	1-35	36	BOLT, PLUG (14MM)	1-F4	2-41	15
BOLT, FLANGE (8X20)	1-H9	2-114	22	BOLT, R. SWINGARM PIVOT	1-F15	2-62	9
BOLT, FLANGE (8X25)	1-F16	2-64	25	BOLT, RECESSED (5X28)	1-C2	1-5	19
	1-H9	2-114	21	BOLT, RECESSED (6X8)	1-G12	2-89	59
BOLT, FLANGE (8X28)	1-C11	1-22	25	BOLT, SEALING (6MM)	1-D4	1-41	14
BOLT, FLANGE (8X30)	1-F4	2-41	19	BOLT, SIDE STAND PIVOT	1-F14	2-60	11
	1-F14	2-60	17	BOLT, SOCKET (10X28)	1-F14	2-60	15
BOLT, FLANGE (8X32)	1-E12	2-25	21	BOLT, SOCKET (10X55)	1-F15	2-63	14
	1-E13	2-27	21	BOLT, SOCKET (12X127)	1-F15	2-63	15
	1-F12	2-57	9	BOLT, SOCKET (12X90)	1-F15	2-63	13
	1-G16	2-96	8	BOLT, SOCKET (5X18)	1-E11	2-23	36
BOLT, FLANGE (8X35)	1-E9	2-19	19	BOLT, SOCKET (6X20)	1-E6	2-13	22
BOLT, FLANGE (8X38)	1-C9	1-18	14		1-E7	2-15	25
	1-C9	1-19	18	BOLT, SOCKET (8MM) (SHOWA)	1-E11	2-23	34
BOLT, FLANGE (8X40)	1-D2	1-37	29		1-E11	2-23	35
	1-H9	2-114	23	BOLT, SOCKET (8X22)	1-F13	2-59	22
				BOLT, SOCKET (8X32)	1-F13	2-59	25

DESCRIPTION INDEX

Description	Grid	Page	Ref	Description	Grid	Page	Ref
BOLT, SOCKET (8X48)	1-E14	2-29	21	BRACKET, SIDE STAND	1-F14	2-60	8
BOLT, SOCKET (8X70)	1-F7	2-46	11	BRACKET SUB-ASSY., L. FR.	1-E14	2-28	16
BOLT, SOCKET SPECIAL (6X19)	1-C1	1-3	19	BRACKET SUB-ASSY., R. FR.	1-E12	2-24	3
BOLT, SPECIAL (10X25)	1-C5	1-10	16		1-E13	2-27	20
BOLT, SPECIAL (5X16)	1-G12	2-88	45	BRACKET SUB-ASSY., RR.	1-F2	2-36	8
BOLT, SPECIAL (6X12)	1-F11	2-55	39	BRACKET, TENSION	1-G11	2-87	17
BOLT, SPECIAL (6X16)	1-F14	2-60	12	BRIDGE, FORK TOP	1-E8	2-17	19
BOLT, SPECIAL FLANGE (7X13)	1-C5	1-11	19	BRUSH SET	1-C9	1-18	11
BOLT, SPECIAL NSHF (6X34)	1-F7	2-47	18	BRUSH SET, TERMINAL	1-C9	1-19	2
BOLT, STUD (12X46)	1-F4	2-41	17	BULB	1-E3	2-7	7
BOLT, STUD (12X53)	1-F4	2-41	16	BULB (12V5W) (ECE) (STANLEY)	1-G3	2-70	1
BOLT, STUD (8/6X40)	1-C2	1-5	20	BULB, HEADLIGHT (12V55W) (H7)	1-E1	2-2	10
BOLT, TERMINAL	1-C9	1-19	4	BULB, NEO-WEDGE	1-H9	2-115	2
BOLT, TOOL BOX (6X20)	1-G8	2-80	9	BULB (T3) (A)	1-E4	2-8	27
BOLT, TORX (5X10)	1-E15	2-31	17	BULB (T3) (B)	1-E4	2-8	28
	1-F3	2-38	10		1-E4	2-8	30
BOLT, TORX (5X14)	1-H6	2-109	44		1-F5	2-42	1
BOLT, TORX (8X25)	1-E5	2-11	26		1-F5	2-42	7
BOLT, UBS (12X30)	1-C13	1-26	9		1-F5	2-42	8
BOLT, UBS (12X77.5)	1-C15	1-31	18	BULB (T3) (C)	1-E4	2-8	29
BOLT-WASHER (5X16)	1-H10	2-117	8		1-F5	2-42	6
BOLT-WASHER (6X12)	1-C5	1-10	17	BULB, WEDGE BASE (12V21/5W) (ECE)	1-G1	2-67	5
	1-C14	1-28	13		1-G3	2-70	12
	1-G8	2-80	12	BULK HOSE, VACUUM (12X1000) (12X42)	1-C15	1-31	35
	1-H10	2-116	27	BULK HOSE, VACUUM (12X1000) (12X70)	1-C15	1-31	36
BOLT-WASHER (6X16)	1-D5	1-42	20	BULK HOSE, VACUUM (3.5X1000) (3.5X120)	1-H11	2-118	15
BOLT-WASHER (6X25)	1-E1	2-3	19	BULK HOSE, VACUUM (3.5X1000) (3.5X290)	1-D5	1-42	21
BOLT-WASHER (6X30)	1-G14	2-93	30	BULK HOSE, VACUUM (3.5X1000) (3.5X80)	1-D4	1-40	13
BOOT	1-E5	2-10	8	BULK HOSE, VACUUM (4.5X1000) (4.5X860)	1-H11	2-118	16
	1-E6	2-12	3	BULK HOSE, VACUUM (5.5X8000) (5.3X320)	1-G7	2-79	36
	1-E7	2-14	8	BULK HOSE, VACUUM (8X1000) (8X840)	1-F8	2-48	21
	1-E16	2-32	4	BUSH	1-E7	2-14	2
BOOT B	1-E12	2-24	15	BUSH, GUIDE	1-E11	2-22	15
	1-E13	2-26	14	BUSH, PIN	1-E12	2-24	14
	1-E14	2-28	14		1-E13	2-26	13
	1-F2	2-36	17		1-E14	2-28	13
BOOT, JOINT	1-F15	2-62	8		1-F2	2-36	16
BOOT, L. BACK MIRROR	1-G2	2-69	13	BUSH, REVERSE SPRING	1-C11	1-23	12
BOOT, R. BACK MIRROR	1-G2	2-68	10	BUSH, SLIDER	1-E11	2-22	16
BOSS, OIL FILTER	1-C15	1-31	24	BUTTON, L. POCKET COVER OPEN	1-G15	2-94	13
BOSS, PRIMARY DRIVEN GEAR	1-C13	1-26	6				
BOX ASSY., L. SPEAKER	1-H10	2-116	20	(C)			
BOX ASSY., R. SPEAKER	1-H10	2-116	19	CABLE A, THROTTLE	1-E3	2-7	1
BOX, BATTERY	1-G3	2-71	11	CABLE B, THROTTLE	1-H10	2-117	1
BOX, TRUNK *NHA27M* (BILLET SILVER METALLIC) ..	1-G16	2-97	7	CABLE, BATTERY GROUND	1-G3	2-71	7
BOX, TRUNK *NHA29* (ARCTIC WHITE)	1-G16	2-97	7	CABLE C, THROTTLE	1-H10	2-117	2
BOX, TRUNK *NHA45M* (PORTLAND GRAY METALLIC)	1-G16	2-97	7	CABLE, NEUTRAL	1-C12	1-25	4
BOX, TRUNK *PB356M* (NOVA BLUE METALLIC)	1-G16	2-97	7	CABLE, POCKET LOCK	1-F5	2-43	18
BOX, TRUNK *R287M* (BLOODSTONE RED METALLIC)	1-G16	2-97	7	CABLE, REVERSE	1-C12	1-25	3
BOX, TRUNK *Y130P* (PEARL HOT ROD YELLOW) ..	1-G16	2-97	7	CABLE, SADDLEBAG OPENER	1-H7	2-111	5
BRACKET, L. MAIN STEP	1-F13	2-58	3	CABLE, SADDLEBAG STOPPER	1-H4	2-104	12
BRACKET, NUMBER PLATE	1-F16	2-65	6	CABLE, STARTER BATTERY	1-G5	2-74	12
BRACKET, R. MAIN STEP	1-F13	2-58	2	CABLE, STARTER MAGNETIC SWITCH	1-G3	2-71	6
				CABLE, STARTER MOTOR	1-G3	2-71	2
				CALIPER SUB-ASSY., L. FR.	1-E14	2-28	15

DESCRIPTION INDEX

Description	Grid	Page	Ref	Description	Grid	Page	Ref
CALIPER SUB-ASSY., R. FR.	1-E12	2-25	20	CHAIN, OIL PUMP (DID25H-54L) (DAIDO)	1-C14	1-28	5
	1-E13	2-27	19	CIRCLIP	1-E6	2-13	18
CALIPER SUB-ASSY., RR.	1-F2	2-36	7		1-F15	2-62	4
CAM A, ADJUSTER	1-G11	2-87	35	CIRCLIP (30MM)	1-D1	1-35	31
CAM A, POCKET COVER LOCK	1-G15	2-95	20	CIRCLIP (32MM)	1-D1	1-35	30
CAM B, ADJUSTER	1-G11	2-87	34	CIRCLIP (INNER) (125MM)	1-F4	2-41	24
CAM B, POCKET COVER LOCK	1-G15	2-95	21	CIRCLIP (INNER) (18MM)	1-C7	1-15	8
CAM, GEARSHIFT DRUM LOCK	1-D2	1-36	7		1-E7	2-15	22
CAM, SHIFT DRUM	1-D2	1-36	6	CIRCLIP (INNER) (35MM)	1-C8	1-17	31
CAMSHAFT, L.	1-C3	1-6	3	CIRCLIP (INNER) (47MM)	1-F4	2-41	23
CAMSHAFT, R.	1-C3	1-6	2	CIRCLIP (INNER) (95MM)	1-C8	1-17	25
CANCEL UNIT, TURN SIGNAL	1-E9	2-18	2	CIRCLIP, MASTER CYLINDER	1-E5	2-11	20
CANISTER	1-H11	2-118	2		1-E16	2-33	19
CAP (45MM)	1-C6	1-13	1	CIRCLIP (OUTER) (10MM)	1-G12	2-89	66
CAP ASSY., FUEL TANK	1-F7	2-47	11	CIRCLIP (OUTER) (14MM)	1-D2	1-37	26
CAP ASSY., RESERVE TANK	1-G7	2-78	11	CIRCLIP (OUTER) (17MM)	1-C8	1-17	30
CAP, BLEEDER	1-C6	1-13	14	CIRCLIP (OUTER) (20MM)	1-C12	1-24	28
	1-E11	2-22	2	CIRCLIP (OUTER) (22MM)	1-C13	1-27	14
	1-E12	2-24	7	CIRCLIP, PISTON	1-E16	2-33	24
	1-E13	2-26	6	CIRCLIP, RR. MASTER CYLINDER	1-E16	2-32	10
	1-E14	2-28	7	CIRCUIT ASSY. (TURN SIGNAL RELAY)	1-E2	2-5	6
	1-F2	2-36	12	CLAMP	1-E2	2-4	2
CAP, BRAKE MASTER CYLINDER HOLDER	1-E6	2-12	12		1-E2	2-5	12
	1-E7	2-14	16	CLAMP A, BRAKE HOSE	1-E5	2-11	22
CAP, BREATHER	1-F3	2-39	5	CLAMP A, RR. BRAKE HOSE	1-F1	2-34	1
CAP, IGNITION (1)	1-G4	2-73	4	CLAMP B, BRAKE HOSE	1-E5	2-11	23
CAP, IGNITION (2)	1-G4	2-73	5	CLAMP B, RR. BRAKE HOSE	1-F1	2-34	2
CAP, IGNITION (3)	1-G4	2-73	6	CLAMP, BRAKE PIPE (6.8)	1-F1	2-35	38
CAP, IGNITION (4)	1-G4	2-73	7	CLAMP, BRAKE PIPE (6.8X2)	1-F1	2-35	36
CAP, IGNITION (5)	1-G4	2-73	8	CLAMP, BRAKE PIPE (6.8X3)	1-F1	2-35	37
CAP, IGNITION (6)	1-G4	2-73	9	CLAMP, BRAKE PIPE (7.0X2)	1-F1	2-35	39
CAP, MAIN STAND PIPE	1-G16	2-97	4	CLAMP C, RR. BRAKE HOSE	1-F1	2-34	3
CAP, MASTER CYLINDER	1-E6	2-12	6	CLAMP D, RR. BRAKE HOSE	1-F1	2-34	5
	1-E7	2-14	10	CLAMP, FUEL HOSE (D10.5)	1-D5	1-42	19
CAP, OIL CUP	1-E16	2-32	8	CLAMP, HARNESS	1-F1	2-35	35
CAP, PIVOT	1-G9	2-82	27	CLAMP, HOSE (24-32)	1-D3	1-38	12
CAP, RADIATOR	1-G7	2-78	3	CLAMP, IGNITION WIRE	1-C1	1-2	10
CAP, RR. AXLE	1-F3	2-38	2	CLAMP, L. CABLE	1-G4	2-73	2
CAP, SCAVENGE OIL PUMP STRAINER	1-C10	1-21	5	CLAMP, MASTER CYLINDER OIL HOSE	1-E16	2-32	9
CAP, VALVE ADJ.	1-F3	2-39	2	CLAMP, PIPE	1-E5	2-10	1
CASE ASSY., L. (LOWER)	1-E11	2-23	30		1-E5	2-10	2
CASE ASSY. (LOWER)	1-E2	2-5	3	CLAMP, R. CABLE	1-G4	2-73	1
CASE ASSY., RR. DIFFERENTIAL	1-C10	1-21	2	CLAMP, R. RADIATOR HOSE	1-D3	1-38	7
CASE, AUDIO (UPPER)	1-E4	2-8	20		1-G7	2-79	28
CASE, PLUNGER	1-E11	2-23	31	CLAMP, RADIATOR HOSE	1-G7	2-79	25
CASE, R. (LOWER)	1-E11	2-23	18	CLAMP, TUBE	1-C7	1-15	2
CASE SUB-ASSY., FINAL GEAR	1-F3	2-39	7	CLAMP, TUBE (D12)	1-D5	1-42	18
CASE (UPPER)	1-H9	2-115	8	CLAMP, WATER HOSE	1-D3	1-38	5
CATCH ASSY., L. SADDLEBAG	1-H7	2-111	9		1-G7	2-79	22
CATCH ASSY., R. SADDLEBAG	1-H7	2-111	7		1-G7	2-79	24
CATCH SET, L. SADDLEBAG	1-H7	2-111	16	CLAMP, WATER HOSE (25MM)	1-D3	1-38	3
CATCH SET, R. SADDLEBAG	1-H7	2-111	15	CLAMP, WIRE	1-E4	2-8	26
CAUTION LABEL (JAPANESE/ENGLISH)	1-E8	2-17	22	CLAMP, WIRE (A)	1-E3	2-7	8
CENTER, CLUTCH	1-C8	1-16	3	CLAMP, WIRE (B)	1-E3	2-7	12
CHAIN, CAM (118L) (BORG WARNER)	1-C5	1-10	4	CLAMP, WIRE (D)	1-E3	2-7	13
				CLAMP, WIRE (UPPER)	1-E4	2-8	25

DESCRIPTION INDEX

Description	Grid	Page	Ref	Description	Grid	Page	Ref
CLIP	1-G6	2-77	22	COLLAR A	1-G15	2-95	33
CLIP (2X60)	1-F8	2-48	20	COLLAR A, CUSHION ARM	1-F15	2-63	4
CLIP (4X50)	1-H10	2-117	10	COLLAR, ADJUSTING LEVER	1-G11	2-87	20
CLIP, AIR HOSE (21.5)	1-F8	2-49	17	COLLAR B, SPRING	1-E11	2-23	28
CLIP B, BRAKE PIPE	1-F1	2-35	29	COLLAR C, CUSHION ARM	1-F15	2-63	5
CLIP, BREATHER TUBE	1-C15	1-30	5	COLLAR C, SHOCK ABSORBER ARM	1-F15	2-63	7
	1-F8	2-49	15	COLLAR, CANISTER MOUNT	1-C12	1-25	2
	1-G5	2-74	1	COLLAR, CONNECTING ROD PIVOT	1-F15	2-63	3
CLIP, BUMPER SEAL	1-G12	2-88	44	COLLAR, COWL SETTING (LOWER)	1-C1	1-3	24
	1-G15	2-95	30	COLLAR, FR. AXLE DISTANCE	1-E15	2-30	11
CLIP, CABLE (14MM)	1-F1	2-35	41	COLLAR, FR. BRAKE HOSE	1-E5	2-10	12
CLIP, CABLE (15MM)	1-G5	2-75	34	COLLAR, FR. FENDER	1-C2	1-4	13
CLIP, CABLE (25MM)	1-G4	2-72	19		1-G11	2-86	2
	1-G5	2-75	35	COLLAR, FR. FENDER SETTING	1-G13	2-90	2
CLIP, CABLE (30MM)	1-G5	2-75	36		1-G16	2-96	1
CLIP, CLUTCH CENTER	1-C8	1-16	17	COLLAR, L. CALIPER BRACKET	1-E14	2-29	20
CLIP, CONNECTOR (BROWN)	1-G6	2-77	23	COLLAR, L. FR. ENGINE HANGER	1-F14	2-60	2
CLIP, ENGINE STOP SWITCH CORD	1-F3	2-38	13	COLLAR, L. FR. WHEEL SIDE	1-E15	2-30	9
CLIP, INJECTOR	1-D5	1-43	2	COLLAR, LOST MOTION SPRING	1-C11	1-23	10
CLIP, MOLDING (LOWER)	1-H7	2-110	50	COLLAR, MAIN STAND	1-F14	2-60	4
CLIP, OIL DRAIN TUBE	1-F8	2-49	1	COLLAR, MUFFLER SETTING	1-F11	2-55	28
CLIP, PANEL FIXING	1-G9	2-82	29		1-F11	2-55	30
CLIP, PANEL FIXING *NH1* (BLACK)	1-G4	2-72	20	COLLAR, PIVOT	1-E11	2-22	4
	1-G7	2-79	33	COLLAR, POCKET ARM PIVOT	1-G15	2-94	16
	1-G8	2-80	11	COLLAR, R. FR. WHEEL SIDE	1-E15	2-30	8
	1-G14	2-93	29	COLLAR, R. MAIN STAND	1-F14	2-60	5
	1-G15	2-95	32	COLLAR, RADIATOR SETTING	1-H3	2-103	2
CLIP, PULSER WIRE	1-C6	1-13	11	COLLAR, RESERVE TANK SETTING	1-H11	2-118	8
	1-G16	2-97	1	COLLAR, REVERSE LEVER SPRING	1-C11	1-23	11
CLIP, RETURN HOSE	1-G4	2-73	12	COLLAR, RR. FENDER	1-F7	2-47	15
CLIP, SADDLEBAG	1-H7	2-110	51	COLLAR, SADDLEBAG MOUNTING	1-H6	2-109	47
CLIP, SPLASH	1-E2	2-4	11	COLLAR, SEAT MOUNTING	1-F7	2-46	8
	1-E10	2-21	17	COLLAR, SENSOR SUPPORT	1-E9	2-18	13
	1-G12	2-88	58	COLLAR, SPLINE (30X14)	1-D1	1-34	12
	1-G14	2-93	27	COLLAR, SPRING	1-E11	2-22	8
	1-H10	2-116	26	COLLAR, STEP RUBBER SETTING	1-G11	2-86	1
CLIP, SUB-TANK HOSE	1-F8	2-49	16	COLLAR, TENSIONER PIVOT	1-C5	1-10	8
	1-F9	2-51	1	COLLAR, TRUNK MOUNTING	1-H3	2-102	62
CLIP, SUB-WIRE	1-G5	2-74	14	CONNECTOR	1-E16	2-32	3
CLIP, THROTTLE WIRE	1-F15	2-63	1	CONNECTOR, FR. HOLDER	1-H9	2-115	15
CLIP (TREE)	1-G5	2-75	27	CONNECTOR, RR. HOLDER	1-H9	2-115	16
CLIP, TUBE	1-H6	2-109	41	CONTROL UNIT, TRUNK LOCK & OPEN	1-G6	2-76	9
CLIP, TUBE (B10)	1-G7	2-79	34	CONTROLLER, AUTO CRUISE	1-G6	2-76	4
CLIP, TUBE (B12)	1-G7	2-79	35	CORD (AUX)	1-H9	2-115	14
CLIP, WIRE HARNESS	1-F1	2-35	40	COTTER, VALVE	1-C3	1-6	10
	1-H3	2-102	63	COUNTERSHAFT	1-D1	1-34	6
CLUTCH OUTER	1-C8	1-16	1	COVER	1-F5	2-42	4
CLUTCH OUTER, STARTER	1-C13	1-26	8	COVER A, L. ARMREST	1-H2	2-101	50
COIL, IGNITION	1-G4	2-73	3	COVER A, MAGNETIC SWITCH (BLACK)	1-G3	2-71	4
COLLAR	1-E1	2-2	14	COVER A, R. ARMREST	1-H2	2-101	44
COLLAR (15X20)	1-C15	1-31	29	COVER, AIR CLEANER	1-F8	2-49	3
COLLAR (16X18X10)	1-C14	1-28	10	COVER ASSY., COMBINATION SWITCH	1-E2	2-4	6
COLLAR (22X26X27.6)	1-C13	1-27	6	COVER B, L. ARMREST *NH1* (BLACK)	1-H2	2-101	51
COLLAR (28MM)	1-D1	1-34	14	COVER B, R. ARMREST *NH1* (BLACK)	1-H2	2-101	45
COLLAR (32MM)	1-D1	1-34	11	COVER, BATTERY CABLE	1-G3	2-71	12
				COVER, BATTERY TERMINAL	1-G5	2-74	13

DESCRIPTION INDEX

Description	Grid	Page	Ref	Description	Grid	Page	Ref
COVER, CLUTCH	1-C7	1-15	3	COVER SET, L. SIDE *R287M* (BLOODSTONE RED METALLIC)	1-F10	2-53	8
COVER, COMBINATION SWITCH TOP	1-E8	2-16	1	COVER SET, L. SIDE *Y130P* (PEARL HOT ROD YELLOW)	1-F10	2-53	8
COVER D, MAGNETIC SWITCH (BLUE)	1-G3	2-71	5	COVER SET, R. SIDE *NHA27M* (BILLET SILVER METALLIC)	1-F10	2-52	4
COVER, FR.	1-C6	1-13	4	COVER SET, R. SIDE *NHA29* (ARCTIC WHITE)	1-F10	2-52	4
COVER, FR. FORK	1-E10	2-21	6	COVER SET, R. SIDE *NHA45M* (PORTLAND GRAY METALLIC)	1-F10	2-52	4
COVER, FUEL PUMP	1-F7	2-47	7	COVER SET, R. SIDE *PB356M* (NOVA BLUE METALLIC)	1-F10	2-52	4
COVER, GARNISH	1-G11	2-86	4	COVER SET, R. SIDE *R287M* (BLOODSTONE RED METALLIC)	1-F10	2-52	4
COVER, GRIP CANCEL SWITCH	1-H10	2-117	4	COVER SET, R. SIDE *Y130P* (PEARL HOT ROD YELLOW)	1-F10	2-52	4
COVER, HANDLE CENTER	1-E8	2-17	17	COVER, STARTER MOTOR TERMINAL	1-G3	2-71	3
COVER, L. BUTTON	1-G15	2-94	18	COVER SUB-ASSY., FINAL GEAR	1-F3	2-39	8
COVER, L. CYLINDER HEAD	1-C1	1-2	6	COVER, TRANSMISSION	1-C6	1-13	2
COVER, L. CYLINDER HEAD SIDE	1-C1	1-2	7	COVER, TRUNK CATCH	1-H2	2-100	25
COVER, L. ENGINE SIDE	1-H8	2-113	10	COVER, TRUNK (INNER)	1-H2	2-100	18
COVER, L. FR. FENDER	1-E10	2-21	10	COVER, TRUNK (LOWER) *NHA27M* (BILLET SILVER METALLIC)	1-H1	2-99	14
COVER, L. FR. (LOWER) (INNER)	1-C2	1-4	15	COVER, TRUNK (LOWER) *NHA29* (ARCTIC WHITE)	1-H1	2-99	14
COVER, L. HANDLE	1-E8	2-17	16	COVER, TRUNK (LOWER) *NHA45M* (PORTLAND GRAY METALLIC)	1-H1	2-99	14
COVER, L. INJECTION	1-C1	1-2	16	COVER, TRUNK (LOWER) *PB356M* (NOVA BLUE METALLIC)	1-H1	2-99	14
COVER, L. PILLION STEP HOLDER *NH454M* (ECLIPSE SILVER METALLIC)	1-G8	2-81	10	COVER, TRUNK (LOWER) *R287M* (BLOODSTONE RED METALLIC)	1-H1	2-98	14
COVER, L. PILLION STEP (LOWER) *NH454M* (ECLIPSE SILVER METALLIC)	1-F13	2-59	19	COVER, TRUNK (LOWER) *Y130P* (PEARL HOT ROD YELLOW)	1-H1	2-98	14
COVER, L. PIVOT PLATE *NH248R* (GRAY)	1-G8	2-81	7	COVER (UPPER)	1-G5	2-75	20
COVER, L. POCKET	1-G15	2-95	19		1-G5	2-75	22
COVER, L. SADDLEBAG CATCH	1-H7	2-111	8	COVER, WATER PUMP	1-C6	1-12	3
COVER, L. SHELTER (INNER)	1-F6	2-44	27	COVER, WELD BEAD *NH466M* (R/L) (PRESTO SILVER METALLIC)	1-G8	2-81	12
COVER, L. SPEAKER	1-E2	2-4	5		1-G9	2-82	13
COVER, L. TRUNK LIGHT	1-H2	2-100	22	COWL, CENTER (INNER) *NH1Z* (BLACK-Z)	1-G14	2-92	14
COVER, LENS	1-F5	2-42	3	COWL, FR. CENTER *NHA27M* (BILLET SILVER METALLIC)	1-G13	2-90	3
COVER (LOWER)	1-G5	2-75	21	COWL, FR. CENTER *NHA29* (ARCTIC WHITE)	1-G13	2-90	3
COVER, R. CYLINDER HEAD	1-C1	1-2	1	COWL, FR. CENTER *NHA45M* (PORTLAND GRAY METALLIC)	1-G13	2-90	3
COVER, R. CYLINDER HEAD SIDE	1-C1	1-2	2	COWL, FR. CENTER *PB356M* (NOVA BLUE METALLIC)	1-G13	2-90	3
COVER, R. ENGINE SIDE	1-H8	2-113	6	COWL, FR. CENTER *R287M* (BLOODSTONE RED METALLIC)	1-G13	2-90	3
COVER, R. FR. FENDER	1-E10	2-20	3	COWL, FR. CENTER *Y130P* (PEARL HOT ROD YELLOW)	1-G13	2-90	3
COVER, R. FR. (LOWER) (INNER)	1-C2	1-4	14	COWL, FR. (LOWER) *NH168M* (VERNIER GRAY METALLIC)	1-G14	2-92	12
COVER, R. HANDLE	1-E8	2-17	15	COWL, L. (INNER) *NHA27M* (BILLET SILVER METALLIC)	1-G14	2-93	16
COVER, R. INJECTION	1-C1	1-2	13	COWL, L. (INNER) *NHA29* (ARCTIC WHITE)	1-G14	2-93	16
COVER, R. PILLION STEP HOLDER *NH454M* (ECLIPSE SILVER METALLIC)	1-G8	2-81	9	COWL, L. (INNER) *NHA45M* (PORTLAND GRAY METALLIC)	1-G14	2-93	16
COVER, R. PILLION STEP (LOWER) *NH454M* (ECLIPSE SILVER METALLIC)	1-F13	2-58	12				
COVER, R. PIVOT PLATE *NH248R* (GRAY)	1-G8	2-81	6				
COVER, R. POCKET	1-G15	2-94	14				
COVER, R. SADDLEBAG CATCH	1-H7	2-111	6				
COVER, R. SHELTER (INNER)	1-F6	2-44	26				
COVER, R. SPEAKER	1-E2	2-4	4				
COVER, R. TRUNK LIGHT	1-H2	2-100	21				
COVER, REED VALVE	1-C15	1-30	7				
COVER, RUBBER	1-E1	2-2	5				
COVER SET, L. SIDE *NHA27M* (BILLET SILVER METALLIC)	1-F10	2-53	8				
COVER SET, L. SIDE *NHA29* (ARCTIC WHITE)	1-F10	2-53	8				
COVER SET, L. SIDE *NHA45M* (PORTLAND GRAY METALLIC)	1-F10	2-53	8				
COVER SET, L. SIDE *PB356M* (NOVA BLUE METALLIC)	1-F10	2-53	8				

DESCRIPTION INDEX

Description	Grid	Page	Ref	Description	Grid	Page	Ref
COWL, L. (INNER) *PB356M* (NOVA BLUE METALLIC)	1-G14	2-93	16	DIAPHRAGM	1-E16	2-32	17
COWL, L. (INNER) *R287M* (BLOODSTONE RED METALLIC)	1-G14	2-93	16	DIAPHRAGM (NISSIN)	1-E6	2-12	9
COWL, L. (INNER) *Y130P* (PEARL HOT ROD YELLOW)	1-G14	2-93	16		1-E7	2-14	14
COWL, L. SIDE *NHA27M* (BILLET SILVER METALLIC)	1-G13	2-91	8	DIODE ASSY.	1-G5	2-74	4
COWL, L. SIDE *NHA29* (ARCTIC WHITE)	1-G13	2-91	8	DIODE ASSY., CONNECTOR (2P)	1-G5	2-74	10
COWL, L. SIDE *NHA45M* (PORTLAND GRAY METALLIC)	1-G13	2-91	8	DIPSTICK, OIL	1-C10	1-21	1
COWL, L. SIDE *PB356M* (NOVA BLUE METALLIC)	1-G13	2-91	8	DISK A, CLUTCH FRICTION	1-C8	1-16	7
COWL, L. SIDE *R287M* (BLOODSTONE RED METALLIC)	1-G13	2-91	8	DISK B, CLUTCH FRICTION	1-C8	1-16	6
COWL, L. SIDE *Y130P* (PEARL HOT ROD YELLOW)	1-G13	2-91	8	DISK, CLUTCH FRICTION	1-C8	1-16	5
COWL, R. (INNER) *NHA27M* (BILLET SILVER METALLIC)	1-G14	2-92	15	DISK, L. FR. BRAKE	1-E15	2-30	15
COWL, R. (INNER) *NHA29* (ARCTIC WHITE)	1-G14	2-92	15	DISK, R. FR. BRAKE	1-E15	2-30	14
COWL, R. (INNER) *NHA45M* (PORTLAND GRAY METALLIC)	1-G14	2-93	15	DISK, RR. BRAKE	1-F3	2-38	9
COWL, R. (INNER) *PB356M* (NOVA BLUE METALLIC)	1-G14	2-92	15	DRUM ASSY., GEARSHIFT	1-D2	1-36	5
COWL, R. (INNER) *R287M* (BLOODSTONE RED METALLIC)	1-G14	2-92	15	DRUM, REVERSE	1-C11	1-23	15
COWL, R. (INNER) *Y130P* (PEARL HOT ROD YELLOW)	1-G14	2-92	15	DUCT, L. AIR	1-G14	2-92	10
COWL, R. SIDE *NHA27M* (BILLET SILVER METALLIC)	1-G13	2-91	4	DUCT, L. AIR CLEANER IN.	1-F8	2-49	12
COWL, R. SIDE *NHA29* (ARCTIC WHITE)	1-G13	2-90	4	DUCT, L. AIR (LOWER)	1-G15	2-94	9
COWL, R. SIDE *NHA45M* (PORTLAND GRAY METALLIC)	1-G13	2-91	4	DUCT, L. AIR (UPPER)	1-G15	2-94	7
COWL, R. SIDE *PB356M* (NOVA BLUE METALLIC)	1-G13	2-91	4	DUCT, L. SIDE COWL	1-G14	2-92	11
COWL, R. SIDE *R287M* (BLOODSTONE RED METALLIC)	1-G13	2-90	4	DUCT, R. AIR	1-G13	2-91	6
COWL, R. SIDE *Y130P* (PEARL HOT ROD YELLOW)	1-G13	2-90	4	DUCT, R. AIR CLEANER IN.	1-F8	2-49	10
CRANKSHAFT	1-C16	1-33	10	DUCT, R. AIR (LOWER)	1-G15	2-94	8
CUP, MASTER CYLINDER OIL	1-E16	2-32	6	DUCT, R. AIR (UPPER)	1-G15	2-94	6
CUP, PISTON	1-C6	1-13	9	DUCT, R. SIDE COWL	1-G13	2-91	7
CUSHION ASSY., RR.	1-F15	2-63	2	DUST SEAL	1-E11	2-23	39
CUSHION, FR. FUEL TANK	1-G8	2-81	1	DUST SEAL (17X24X5) (ARAI)	1-F16	2-64	23
CUSHION, FUEL TANK CENTER	1-G8	2-81	2	DUST SEAL (20X26X4.5) (ARAI)	1-F16	2-64	22
CUSHION, L. ARMREST *NH1* (BLACK)	1-H2	2-101	52	DUST SEAL (28X42X8) (NOK)	1-E15	2-31	21
CUSHION, R. ARMREST *NH1* (BLACK)	1-H2	2-101	46	DUST SEAL (30X47X8)	1-E15	2-31	20
CUSHION, REVERSE REGULATOR	1-G6	2-76	1	DUST SEAL, BRAKE CAM	1-E11	2-22	3
CUSHION, RR. FUEL TANK	1-F7	2-47	10	DUST SEAL, STEERING HEAD (ARAI)	1-E9	2-18	6
CYLINDER ASSY., CLUTCH SLAVE	1-C6	1-13	6		1-E9	2-18	7
CYLINDER HEAD ASSY., L.	1-C2	1-4	2	(E)			
CYLINDER HEAD ASSY., R.	1-C2	1-4	1	ELEMENT, AIR CLEANER	1-F8	2-49	2
(D)				ELEMENT, ANTENNA	1-H9	2-115	11
DAMPER, FR.	1-E11	2-23	19	EMBLEM, FR. GARNISH (TYPE1)	1-G11	2-87	24
DAMPER, FR. POCKET	1-G15	2-95	25	EMBLEM, FR. GARNISH (TYPE2)	1-G11	2-87	24
DAMPER, OPENNER	1-H6	2-109	36	EMBLEM, FR. GARNISH (TYPE3)	1-G11	2-87	24
DAMPER, TRUNK POCKET	1-H2	2-101	32	EMBLEM, FR. GARNISH (TYPE4)	1-G11	2-87	24
				EMBLEM, FR. GARNISH (TYPE5)	1-G11	2-87	24
				EMBLEM, FR. GARNISH (TYPE6)	1-G11	2-87	24
				EMBLEM, FR. (HONDA)	1-G11	2-86	13
				EMBLEM, GOLD WING	1-F6	2-44	25
				EMBLEM, KEY (TYPE1)	1-E8	2-16	6
				EMBLEM, KEY (TYPE2)	1-E8	2-16	6
				EMBLEM, KEY (TYPE3)	1-E8	2-16	6
				EMBLEM, KEY (TYPE4)	1-E8	2-16	6
				EMBLEM, KEY (TYPE5)	1-E8	2-16	6
				EMBLEM, KEY (TYPE6)	1-E8	2-16	6
				EMBLEM, L. (ABS)	1-E10	2-21	11
				EMBLEM, L. CYLINDER HEAD COVER	1-C1	1-2	8
				EMBLEM, R. (ABS)	1-E10	2-21	5
				EMBLEM, R. CYLINDER HEAD COVER	1-C1	1-2	3
				EMBLEM, RR. TRUNK (TYPE1)	1-H1	2-98	10

DESCRIPTION INDEX

Description	Grid	Page	Ref	Description	Grid	Page	Ref
EMBLEM, RR. TRUNK (TYPE1) (HONDA)	1-H2	2-101	54	FORK ASSY., R. FR.	1-E11	2-22	5
EMBLEM, RR. TRUNK (TYPE2)	1-H1	2-98	10	FORK, CENTER GEARSHIFT	1-D2	1-36	2
EMBLEM, RR. TRUNK (TYPE2) (HONDA)	1-H2	2-101	54	FORK, FR. GEARSHIFT	1-D2	1-36	1
EMBLEM, RR. TRUNK (TYPE3)	1-H1	2-98	10	FRAME *NH456M* (IO SILVER METALLIC)	1-G8	2-81	3
EMBLEM, RR. TRUNK (TYPE3) (HONDA)	1-H2	2-101	54	FUEL UNIT SET	1-F7	2-47	12
EMBLEM, RR. TRUNK (TYPE4)	1-H1	2-98	10	FUNNEL, L. AIR	1-F8	2-49	8
EMBLEM, RR. TRUNK (TYPE4) (HONDA)	1-H2	2-101	54	FUNNEL, R. AIR	1-F8	2-49	7
EMBLEM, RR. TRUNK (TYPE5)	1-H1	2-98	10	FUSE, BLADE (30A)	1-G5	2-75	45
EMBLEM, RR. TRUNK (TYPE5) (HONDA)	1-H2	2-101	54	FUSE, BLADE (5A) (MINI)	1-G5	2-75	40
EMBLEM, RR. TRUNK (TYPE6)	1-H1	2-98	10	FUSE, BLOCK (100A)	1-G5	2-75	18
EMBLEM, RR. TRUNK (TYPE6) (HONDA)	1-H2	2-101	54	FUSE, BLOCK (70A)	1-G5	2-74	16
EMBLEM, SIDE COVER	1-F10	2-52	6	FUSE F (10A) (MINI)	1-G5	2-75	42
EMBLEM, WING MARK	1-E2	2-4	9	FUSE F (15A) (MINI)	1-G5	2-75	43
E-RING (8MM)	1-G12	2-88	57	FUSE F (20A) (MINI)	1-G5	2-75	44
				FUSE F (7.5A) (MINI)	1-G5	2-75	41
(F)				(G)			
FAN, COOLING	1-G8	2-80	3	GARNISH SET, SCREEN (TYPE1) (WL)	1-G11	2-86	10
FEEDER, ANTENNA	1-H9	2-115	12	GARNISH SET, SCREEN (TYPE2) (WL)	1-G11	2-86	10
FENDER A, FR. *NHA27M* (BILLET SILVER METALLIC)	1-E10	2-20	2	GARNISH SET, SCREEN (TYPE3) (WL)	1-G11	2-86	10
FENDER A, FR. *NHA29* (ARCTIC WHITE)	1-E10	2-20	2	GARNISH SET, SCREEN (TYPE4) (WL)	1-G11	2-86	10
FENDER A, FR. *NHA45M* (PORTLAND GRAY METALLIC)	1-E10	2-20	2	GARNISH SET, SCREEN (TYPE5) (WL)	1-G11	2-86	10
FENDER A, FR. *PB356M* (NOVA BLUE METALLIC)	1-E10	2-20	2	GARNISH SET, SCREEN (TYPE6) (WL)	1-G11	2-86	10
FENDER A, FR. *R287M* (BLOODSTONE RED METALLIC)	1-E10	2-20	2	GASKET B, MUFFLER	1-F11	2-55	22
FENDER A, FR. *Y130P* (PEARL HOT ROD YELLOW)	1-E10	2-20	2	GASKET, BASE	1-F7	2-47	8
FENDER A, RR. *NHA27M* (BILLET SILVER METALLIC)	1-F16	2-65	2	GASKET, BREATHER PLATE	1-C10	1-21	8
FENDER A, RR. *NHA29* (ARCTIC WHITE)	1-F16	2-65	2	GASKET, CLUTCH COVER	1-C7	1-15	1
FENDER A, RR. *NHA45M* (PORTLAND GRAY METALLIC)	1-F16	2-65	2	GASKET, EX. PIPE	1-F11	2-54	3
FENDER A, RR. *PB356M* (NOVA BLUE METALLIC)	1-F16	2-65	2	GASKET, FR. COVER	1-C6	1-13	5
FENDER A, RR. *R287M* (BLOODSTONE RED METALLIC)	1-F16	2-65	2	GASKET, FUEL TRAY	1-F7	2-47	17
FENDER A, RR. *Y130P* (PEARL HOT ROD YELLOW)	1-F16	2-65	2	GASKET, FUEL UNIT	1-F7	2-47	9
FENDER B, FR. *NHA27M* (BILLET SILVER METALLIC)	1-E10	2-21	4	GASKET, IN. MANIFOLD	1-C2	1-4	10
FENDER B, FR. *NHA29* (ARCTIC WHITE)	1-E10	2-20	4	GASKET, L. CYLINDER HEAD	1-C2	1-4	5
FENDER B, FR. *NHA45M* (PORTLAND GRAY METALLIC)	1-E10	2-21	4	GASKET, L. CYLINDER HEAD COVER	1-C1	1-2	9
FENDER B, FR. *PB356M* (NOVA BLUE METALLIC)	1-E10	2-21	4	GASKET, LICENSE LIGHT SEAL	1-G3	2-70	10
FENDER B, FR. *R287M* (BLOODSTONE RED METALLIC)	1-E10	2-20	4	GASKET, OIL STRAINER	1-C14	1-28	7
FENDER B, FR. *Y130P* (PEARL HOT ROD YELLOW)	1-E10	2-20	4	GASKET, PROTECTOR	1-C12	1-25	1
FENDER B, RR.	1-F16	2-65	3		1-F11	2-54	5
FENDER SET, L. FR.	1-E10	2-21	13	GASKET, R. CYLINDER HEAD	1-C2	1-4	4
FENDER SET, R. FR.	1-E10	2-21	9	GASKET, R. CYLINDER HEAD COVER	1-C1	1-2	4
FILTER, OIL (TOYO ROKI)	1-C15	1-30	2	GASKET, ROTARY AIR CONTROL VALVE	1-D4	1-40	8
FLANGE, CAM SPROCKET	1-C5	1-10	3	GASKET, RR. CASE	1-C10	1-21	3
FLANGE, FINAL GEAR SIDE	1-F3	2-39	12	GASKET, TENSIONER LIFTER	1-C5	1-10	10
FLOAT, FR. MASTER CYLINDER (NISSIN)	1-E6	2-12	10	GASKET, TRANSMISSION COVER	1-C6	1-13	3
	1-E7	2-14	15	GASKET, WATER PUMP COVER	1-C6	1-12	4
FORK ASSY., L. FR.	1-E11	2-23	27	GAUGE, FEELER (0.7)	1-G10	2-84	3
				GEAR, ALTERNATOR DRIVE (72T)	1-C13	1-26	1
				GEAR ASSY.	1-C9	1-19	12
				GEAR ASSY., ALTERNATOR DRIVEN (28T)	1-C13	1-26	2
				GEAR ASSY., FINAL	1-F3	2-39	3
				GEAR, COUNTERSHAFT FIFTH (24T)	1-D1	1-34	17
				GEAR, COUNTERSHAFT FIRST (38T)	1-D1	1-34	7
				GEAR, COUNTERSHAFT FOURTH (27T)	1-D1	1-34	15
				GEAR, COUNTERSHAFT SECOND (32T)	1-D1	1-34	9
				GEAR, COUNTERSHAFT THIRD (31T)	1-D1	1-34	10

DESCRIPTION INDEX

Description	Grid	Page	Ref	Description	Grid	Page	Ref
GEAR, FINAL DRIVE (35T)	1-C13	1-27	1	GUIDE, OIL PUMP CHAIN	1-C14	1-28	8
GEAR, FINAL DRIVEN (36T)	1-C13	1-27	2	GUIDE, RR. BRAKE HOSE	1-F1	2-34	4
GEAR, MAINSHAFT FIFTH (35T)	1-D1	1-34	16	GUIDE, SENSOR WIRE	1-E15	2-30	1
GEAR, MAINSHAFT FIRST (16T)	1-D1	1-34	4	GUIDE, SPRING	1-C8	1-16	10
GEAR, MAINSHAFT FOURTH (32T)	1-D1	1-34	13	GUIDE, STOPPER CABLE	1-H5	2-106	18
GEAR, MAINSHAFT SECOND & THIRD (22T,29T)	1-D1	1-34	8	GUIDE, THROTTLE CABLE	1-E8	2-17	9
GEAR, PRIMARY DRIVE (49T)	1-C13	1-26	4	GUIDE, VALVE (OS)	1-C2	1-4	3
GEAR, PRIMARY DRIVEN (78T)	1-C13	1-26	5				
GEAR, REVERSE DRIVEN (45T)	1-C13	1-27	9	(H)			
GEAR, REVERSE IDLE (46T)	1-C11	1-23	5	HANDLEBAR ASSY., L.	1-E8	2-17	18
GEAR, REVERSE SHIFT (18T)	1-C11	1-23	7	HANDLEBAR ASSY., R.	1-E8	2-17	10
GEAR SET, FINAL	1-F3	2-39	6	HEADLIGHT ASSY., L.	1-E1	2-2	8
GEAR, STARTER DRIVE (11T)	1-C11	1-23	3	HEADLIGHT ASSY., R.	1-E1	2-2	1
GEAR, STARTER REDUCTION (17/18T)	1-C11	1-23	2	HEADLIGHT UNIT, L.	1-E1	2-2	9
GEAR, STARTING DRIVEN (46T)	1-C13	1-26	7	HEADLIGHT UNIT, R.	1-E1	2-2	3
GEAR, TRUNK POCKET DAMPER	1-H2	2-101	36	HINGE	1-F5	2-43	20
GENERATOR ASSY., PULSE	1-C6	1-13	10	HINGE, L. TRUNK	1-H1	2-98	13
GLASS ASSY.	1-E2	2-5	5	HINGE, L. TRUNK POCKET	1-H2	2-101	42
GRILLE, CENTER FRESH AIR	1-G11	2-87	19	HINGE, R. TRUNK	1-H1	2-98	11
GRILLE, L. RADIATOR	1-G7	2-78	16	HINGE, R. TRUNK POCKET	1-H2	2-101	35
GRILLE, R. RADIATOR	1-G7	2-78	12	HINGE, SADDLEBAG	1-H4	2-104	7
GRIP	1-G10	2-85	17	HOLD, RIM VALVE	1-E15	2-30	6
GRIP, L. HANDLE	1-E4	2-8	34		1-F3	2-38	8
GRIP, L. PASSENGER *NH1* (BLACK)	1-F7	2-46	7	HOLDER A, SCREEN	1-G11	2-87	36
GRIP, R.	1-E4	2-8	32	HOLDER, ADJUSTER	1-G11	2-87	32
GRIP, R. HANDLE	1-E4	2-8	33	HOLDER ASSY., HELMET	1-G16	2-97	2
GRIP, R. PASSENGER *NH1* (BLACK)	1-F7	2-46	6	HOLDER B, SCREEN	1-G11	2-87	37
GROMMET	1-E1	2-2	15	HOLDER, CONNECTOR	1-G5	2-75	37
	1-G11	2-87	25	HOLDER, FINAL SHAFT BEARING	1-C10	1-21	11
	1-H10	2-117	5	HOLDER, L. PILLION STEP	1-F13	2-59	17
GROMMET A, SIDE COVER	1-H8	2-113	12	HOLDER, MASTER CYLINDER	1-E6	2-12	7
GROMMET, AIR CLEANER HOUSING	1-E2	2-4	8		1-E7	2-14	11
	1-F10	2-52	3	HOLDER, R. PILLION STEP	1-F13	2-58	10
	1-G11	2-87	39	HOLDER SET, BRUSH	1-C9	1-19	3
	1-G15	2-95	29	HOLDER, STARTER DRIVE GEAR	1-C11	1-23	4
	1-H8	2-113	8	HOLDER, WINDSCREEN	1-G11	2-86	12
	1-H8	2-113	9	HOOK, MAIN STAND SPRING	1-F14	2-60	9
GROMMET, CATCH ROD	1-H7	2-111	17		1-G8	2-81	8
GROMMET, DRAIN HOLE (25MM)	1-H6	2-109	35	HORN ASSY. (HIGH)	1-G6	2-76	6
GROMMET, MOTOR MOUNTING	1-F15	2-63	9	HORN ASSY. (LOW)	1-G6	2-76	7
GROMMET, MUFFLER COVER	1-F11	2-54	8	HOSE A, BYPASS	1-D3	1-38	11
GROMMET, RR. COVER	1-F10	2-52	2	HOSE A, DRAIN	1-D3	1-39	20
GROMMET, SIDE COVER	1-E3	2-6	16	HOSE A, FUEL RETURN	1-D4	1-41	10
	1-F10	2-52	5	HOSE A, WATER	1-D3	1-38	8
	1-G8	2-81	11	HOSE B, BYPASS	1-D3	1-38	13
	1-G11	2-87	40	HOSE B, DRAIN	1-D3	1-39	21
	1-H8	2-113	13	HOSE B, WATER	1-D3	1-38	9
GROMMET, TA SENSOR	1-F9	2-50	19	HOSE, BREATHER	1-G7	2-79	26
GROMMET, WASHER HOLE	1-G15	2-94	3	HOSE C, BYPASS	1-D3	1-38	14
GUARD, L. ENGINE	1-H8	2-113	4	HOSE C, RR. BRAKE MAIN	1-F1	2-34	12
GUARD, R. ENGINE	1-H8	2-113	3	HOSE C, WATER	1-D3	1-38	10
GUARD, SADDLEBAG HEAT	1-H4	2-104	9	HOSE, CAP JOINT	1-G7	2-79	27
GUIDE, CAM CHAIN	1-C5	1-10	11	HOSE, CLUTCH	1-E7	2-14	5
GUIDE, FR. BRAKE HOSE	1-E8	2-17	8	HOSE, FUEL FEED	1-D4	1-41	1
GUIDE, IGNITION WIRE	1-C1	1-2	11		1-D4	1-41	11

DESCRIPTION INDEX

Description	Grid	Page	Ref	Description	Grid	Page	Ref
HOSE, FUEL RETURN	1-D4	1-41	8	JOINT SET, BRAKE ROD	1-E5	2-11	19
HOSE, L. DRAIN	1-G7	2-79	30	JOINT, STRAIGHT	1-D4	1-41	3
HOSE, L. FR. RADIATOR	1-G7	2-78	18	JOINT, THREE-WAY	1-D3	1-38	4
HOSE, L. RR. RADIATOR	1-G7	2-79	20		1-D3	1-38	6
HOSE, R. DRAIN	1-G7	2-79	29		1-G7	2-79	23
HOSE, R. FR. RADIATOR	1-G7	2-78	17	JOINT, THREE-WAY BREATHER	1-F8	2-49	14
HOSE, R. RR. RADIATOR	1-G7	2-78	19	JOINT, TUBE	1-G7	2-78	8
HOSE, RR. MASTER CYLINDER	1-E16	2-32	7		1-G7	2-78	10
HOSE, RR. RADIATOR	1-G7	2-79	21		1-H11	2-118	9
HOUSING, AIR CLEANER	1-F8	2-49	4	JOINT, VACUUM TUBE (A)	1-D4	1-40	9
HOUSING, L. COMBINATION LIGHT	1-G3	2-70	3				
HOUSING, L. *NHA27M* (BILLET SILVER METALLIC)	1-G2	2-69	12	(K)			
HOUSING, L. *NHA29* (ARCTIC WHITE)	1-G2	2-69	12	KEY (2X2X30)	1-C16	1-33	13
HOUSING, L. *NHA45M* (PORTLAND GRAY METALLIC)	1-G2	2-69	12	KEY, BLANK (TYPE1)	1-E8	2-16	7
HOUSING, L. *PB356M* (NOVA BLUE METALLIC)	1-G2	2-69	12	KEY, BLANK (TYPE2)	1-E8	2-16	7
HOUSING, L. *R287M* (BLOODSTONE RED METALLIC)	1-G2	2-69	12	KEY, BLANK (TYPE3)	1-E8	2-17	7
HOUSING, L. TRUNK TAIL	1-G3	2-70	11	KEY, BLANK (TYPE4)	1-E8	2-17	7
HOUSING, L. *Y130P* (PEARL HOT ROD YELLOW)	1-G2	2-69	12	KEY, BLANK (TYPE5)	1-E8	2-17	7
HOUSING, R. COMBINATION LIGHT	1-G3	2-70	2	KEY, BLANK (TYPE6)	1-E8	2-17	7
HOUSING, R. *NHA27M* (BILLET SILVER METALLIC)	1-G2	2-68	9	KNOB ASSY., HELMET HOLDER	1-G16	2-97	3
HOUSING, R. *NHA29* (ARCTIC WHITE)	1-G1	2-67	9	KNOB (AUDIO)	1-H9	2-115	4
HOUSING, R. *NHA45M* (PORTLAND GRAY METALLIC)	1-G2	2-68	9	(L)			
HOUSING, R. *PB356M* (NOVA BLUE METALLIC)	1-G2	2-68	9	LABEL, ALTERNATOR	1-H12	2-120	2
HOUSING, R. *R287M* (BLOODSTONE RED METALLIC)	1-G2	2-68	9	LABEL, CARGO LIMIT (0.5KG)	1-H12	2-120	8
HOUSING, R. TRUNK TAIL	1-G3	2-70	4	LABEL, CARGO LIMIT (2.0KG)	1-H12	2-120	7
HOUSING, R. *Y130P* (PEARL HOT ROD YELLOW)	1-G2	2-68	9	LABEL, CARGO LIMIT (9.0KG)	1-H12	2-120	5
(I)				LABEL, COLOR (TYPE1)	1-H12	2-120	11
INJECTOR ASSY., FUEL	1-D5	1-43	1	LABEL, COLOR (TYPE2)	1-H12	2-120	11
INNER, L. TRUNK POCKET	1-H2	2-101	39	LABEL, COLOR (TYPE3)	1-H12	2-120	11
INNER LID, L. SADDLEBAG	1-H5	2-107	30	LABEL, COLOR (TYPE4)	1-H12	2-120	11
INNER LID, R. SADDLEBAG	1-H4	2-104	10	LABEL, COLOR (TYPE5)	1-H12	2-120	11
INNER LID, TRUNK	1-G16	2-97	8	LABEL, COLOR (TYPE6)	1-H12	2-120	11
INNER, R. TRUNK POCKET	1-H2	2-100	28	LABEL, COLOR (TYPE8)	1-H12	2-121	11
INSULATOR, TERMINAL	1-C9	1-19	5	LABEL, COLOR (TYPE9)	1-H12	2-121	11
INSULATOR, THROTTLE BODY	1-C2	1-4	6	LABEL, DRIVE	1-H12	2-120	10
(J)				LABEL, FUSE BOX	1-G5	2-74	15
JOINT, BRAKE ROD	1-E16	2-33	20	LABEL, LOADING	1-H12	2-120	4
JOINT, BREATHER THREE-WAY	1-C15	1-30	4	LABEL, RADIATOR CAP (DENSO)	1-G7	2-78	5
JOINT, DRAIN	1-D3	1-39	19	LABEL, RELAY BOX	1-G5	2-75	17
JOINT, FUEL RETURN	1-D4	1-41	9	LABEL, RR. SHOCK ABSORBER	1-F15	2-63	11
JOINT, FUEL TUBE	1-H11	2-118	1	LABEL, SADDLEBAG	1-H12	2-120	6
JOINT, GEARSHIFT DRUM	1-D2	1-36	10	LABEL, TIRE	1-H12	2-120	3
JOINT, L. WATER HOSE	1-D3	1-38	18	L.C.D. ASSY.	1-E2	2-5	13
JOINT, PINION	1-F3	2-39	11	LEAD, DRIVER HEADSET JUNCTION	1-H9	2-115	17
JOINT PIPE, THREE-WAY	1-F1	2-35	26	LEAD, PASSENGER HEADSET JUNCTION	1-H10	2-116	18
JOINT, PROPELLER SHAFT	1-F15	2-62	2	LENS, AUDIO	1-E4	2-8	21
JOINT, R. WATER HOSE	1-D3	1-38	17	LENS, L.	1-G1	2-67	4
				LENS, LICENSE LIGHT	1-G3	2-70	7
				LENS (LOWER)	1-E4	2-8	24
				LENS, R.	1-G1	2-67	2
				LENS, R. (LOWER) (A)	1-E3	2-7	10
				LENS, R. (LOWER) (B)	1-E3	2-7	11
				LENS, R. (UPPER)	1-E3	2-7	9

DESCRIPTION INDEX

Description	Grid	Page	Ref	Description	Grid	Page	Ref
LENS, TURN SIGNAL (A)	1-E4	2-8	22	LOCK ASSY., OPENER UNIT	1-H7	2-111	3
LENS, TURN SIGNAL (B)	1-E4	2-8	23	LOCK ASSY., POCKET LID	1-F5	2-43	15
LEVER ASSY., L. HANDLE	1-E7	2-15	17	LOCK B, BEARING ADJ.	1-F3	2-39	10
LEVER ASSY., LUGGAGE BAG	1-H7	2-111	4	LOCK SET (TYPE1)	1-E8	2-16	3
LEVER ASSY., R. HANDLE	1-E6	2-12	13	LOCK SET (TYPE2)	1-E8	2-16	3
LEVER, L. TRUNK POCKET	1-H2	2-101	41	LOCK SET (TYPE3)	1-E8	2-16	3
LEVER, R. TRUNK POCKET	1-H2	2-101	34	LOCK SET (TYPE4)	1-E8	2-16	3
LID, L. SADDLEBAG *NHA27M* (BILLET SILVER METALLIC)	1-H5	2-107	24	LOCK SET (TYPE5)	1-E8	2-16	3
LID, L. SADDLEBAG *NHA29* (ARCTIC WHITE)	1-H5	2-107	24	LOCK SET (TYPE6)	1-E8	2-16	3
LID, L. SADDLEBAG *NHA45M* (PORTLAND GRAY METALLIC)	1-H5	2-107	24	LOCKING RING, FUEL PUMP	1-F7	2-47	4
LID, L. SADDLEBAG *PB356M* (NOVA BLUE METALLIC)	1-H5	2-107	24	LOCKING RING, FUEL UNIT	1-F7	2-47	5
LID, L. SADDLEBAG *R287M* (BLOODSTONE RED METALLIC)	1-H5	2-107	24	LOUVER, L. SIDE COWL *NHA27M* (BILLET SILVER METALLIC)	1-G13	2-91	9
LID, L. SADDLEBAG *Y130P* (PEARL HOT ROD YELLOW)	1-H5	2-107	24	LOUVER, L. SIDE COWL *NHA29* (ARCTIC WHITE)	1-G13	2-91	9
LID, L. TRUNK POCKET	1-H2	2-101	40	LOUVER, L. SIDE COWL *NHA45M* (PORTLAND GRAY METALLIC)	1-G14	2-92	9
LID, R. SADDLEBAG *NHA27M* (BILLET SILVER METALLIC)	1-H4	2-104	6	LOUVER, L. SIDE COWL *PB356M* (NOVA BLUE METALLIC)	1-G14	2-92	9
LID, R. SADDLEBAG *NHA29* (ARCTIC WHITE)	1-H4	2-104	6	LOUVER, L. SIDE COWL *R287M* (BLOODSTONE RED METALLIC)	1-G13	2-91	9
LID, R. SADDLEBAG *NHA45M* (PORTLAND GRAY METALLIC)	1-H4	2-104	6	LOUVER, L. SIDE COWL *Y130P* (PEARL HOT ROD YELLOW)	1-G13	2-91	9
LID, R. SADDLEBAG *PB356M* (NOVA BLUE METALLIC)	1-H4	2-104	6	LOUVER, R. SIDE COWL *NHA27M* (BILLET SILVER METALLIC)	1-G13	2-91	5
LID, R. SADDLEBAG *R287M* (BLOODSTONE RED METALLIC)	1-H3	2-103	6	LOUVER, R. SIDE COWL *NHA29* (ARCTIC WHITE)	1-G13	2-91	5
LID, R. SADDLEBAG *Y130P* (PEARL HOT ROD YELLOW)	1-H3	2-103	6	LOUVER, R. SIDE COWL *NHA45M* (PORTLAND GRAY METALLIC)	1-G13	2-91	5
LID, R. TRUNK POCKET	1-H2	2-100	29	LOUVER, R. SIDE COWL *PB356M* (NOVA BLUE METALLIC)	1-G13	2-91	5
LID SET, TRUNK (TYPE1) (WL)	1-G16	2-97	9	LOUVER, R. SIDE COWL *R287M* (BLOODSTONE RED METALLIC)	1-G13	2-91	5
LID SET, TRUNK (TYPE2) (WL)	1-H1	2-98	9	LOUVER, R. SIDE COWL *Y130P* (PEARL HOT ROD YELLOW)	1-G13	2-91	5
LID SET, TRUNK (TYPE3) (WL)	1-H1	2-98	9				
LID SET, TRUNK (TYPE4) (WL)	1-H1	2-98	9	(M)			
LID SET, TRUNK (TYPE5) (WL)	1-H1	2-98	9	MAIN HOSE A, FR. BRAKE	1-E6	2-12	2
LID SET, TRUNK (TYPE6) (WL)	1-H1	2-98	9	MAIN HOSE A, RR. BRAKE	1-E16	2-32	2
LID, SHELTER *NHA27M* (BILLET SILVER METALLIC)	1-F6	2-44	23	MAIN HOSE B, FR. BRAKE	1-E5	2-10	10
LID, SHELTER *NHA29* (ARCTIC WHITE)	1-F6	2-44	23	MAIN HOSE B, RR. BRAKE	1-F1	2-34	10
LID, SHELTER *NHA45M* (PORTLAND GRAY METALLIC)	1-F6	2-44	23	MAIN HOSE C, FR. BRAKE	1-E5	2-10	13
LID, SHELTER *PB356M* (NOVA BLUE METALLIC)	1-F6	2-44	23	MAIN PIPE A, FR. BRAKE	1-F1	2-35	23
LID, SHELTER *R287M* (BLOODSTONE RED METALLIC)	1-F6	2-44	23	MAIN PIPE A, RR. BRAKE	1-F1	2-34	6
LID, SHELTER *Y130P* (PEARL HOT ROD YELLOW)	1-F5	2-43	23	MAIN PIPE B, FR. BRAKE	1-E5	2-10	11
LIFTER ASSY., TENSIONER	1-C5	1-10	9	MAIN PIPE B, RR. BRAKE	1-F1	2-34	7
LIFTER B, CLUTCH	1-C8	1-16	12	MAIN PIPE C, FR. BRAKE	1-F1	2-35	24
LIFTER, FINAL DAMPER	1-C13	1-27	4	MAIN PIPE D, FR. BRAKE	1-F1	2-35	25
LIFTER, VALVE	1-C3	1-6	6	MAIN PIPE D, RR. BRAKE	1-F1	2-34	8
LIGHT ASSY., LICENSE	1-G3	2-70	6	MAIN PIPE E, RR. BRAKE	1-F1	2-34	9
LINK, L. ADJUSTING	1-G11	2-87	18	MANIFOLD, IN.	1-C2	1-4	9
LINK, R. ADJUST	1-G11	2-87	16	MASTER CYLINDER ASSY., SECOND	1-E5	2-10	18
LOCK A, BEARING ADJ.	1-F3	2-39	10	MASTER CYLINDER SUB-ASSY., CLUTCH	1-E7	2-14	4
LOCK ASSY., FUEL LID	1-F5	2-43	16	MASTER CYLINDER SUB-ASSY., FR.	1-E6	2-12	4
				MASTER CYLINDER SUB-ASSY., RR.	1-E16	2-32	5
				MAT, L. ENGINE SIDE COVER	1-H8	2-113	11
				METER ASSY., COMBINATION	1-E2	2-5	2

DESCRIPTION INDEX

Description	Grid	Page	Ref	Description	Grid	Page	Ref
METER, COMBINATION	1-E2	2-5	9	MOLDING, L. RR. SADDLEBAG *R287M* (BLOODSTONE RED METALLIC)	1-H6	2-108	32
MIRROR ASSY., L. BACK *NHA27M* (BILLET SILVER METALLIC)	1-G2	2-68	11	MOLDING, L. RR. SADDLEBAG *Y130P* (PEARL HOT ROD YELLOW)	1-H6	2-108	32
MIRROR ASSY., L. BACK *NHA29* (ARCTIC WHITE) ..	1-G2	2-68	11	MOLDING, L. SADDLEBAG SIDE (LOWER) *NHA27M* (BILLET SILVER METALLIC)	1-H6	2-109	33
MIRROR ASSY., L. BACK *NHA45M* (PORTLAND GRAY METALLIC)	1-G2	2-69	11	MOLDING, L. SADDLEBAG SIDE (LOWER) *NHA29* (ARCTIC WHITE)	1-H6	2-108	33
MIRROR ASSY., L. BACK *PB356M* (NOVA BLUE METALLIC)	1-G2	2-68	11	MOLDING, L. SADDLEBAG SIDE (LOWER) *NHA45M* (PORTLAND GRAY METALLIC)	1-H6	2-109	33
MIRROR ASSY., L. BACK *R287M* (BLOODSTONE RED METALLIC)	1-G2	2-68	11	MOLDING, L. SADDLEBAG SIDE (LOWER) *PB356M* (NOVA BLUE METALLIC)	1-H6	2-109	33
MIRROR ASSY., L. BACK *Y130P* (PEARL HOT ROD YELLOW)	1-G2	2-68	11	MOLDING, L. SADDLEBAG SIDE (LOWER) *R287M* (BLOODSTONE RED METALLIC)	1-H6	2-108	33
MIRROR ASSY., R. BACK *NHA27M* (BILLET SILVER METALLIC)	1-G1	2-67	8	MOLDING, L. SADDLEBAG SIDE (LOWER) *Y130P* (PEARL HOT ROD YELLOW)	1-H6	2-108	33
MIRROR ASSY., R. BACK *NHA29* (ARCTIC WHITE) .	1-G1	2-67	8	MOLDING, L. SADDLEBAG SIDE *NHA27M* (BILLET SILVER METALLIC)	1-H5	2-107	31
MIRROR ASSY., R. BACK *NHA45M* (PORTLAND GRAY METALLIC)	1-G1	2-67	8	MOLDING, L. SADDLEBAG SIDE *NHA29* (ARCTIC WHITE)	1-H5	2-107	31
MIRROR ASSY., R. BACK *PB356M* (NOVA BLUE METALLIC)	1-G1	2-67	8	MOLDING, L. SADDLEBAG SIDE *NHA45M* (PORTLAND GRAY METALLIC)	1-H5	2-107	31
MIRROR ASSY., R. BACK *R287M* (BLOODSTONE RED METALLIC)	1-G1	2-67	8	MOLDING, L. SADDLEBAG SIDE *PB356M* (NOVA BLUE METALLIC)	1-H5	2-107	31
MIRROR ASSY., R. BACK *Y130P* (PEARL HOT ROD YELLOW)	1-G1	2-67	8	MOLDING, L. SADDLEBAG SIDE *R287M* (BLOODSTONE RED METALLIC)	1-H5	2-107	31
MODULATOR ASSY., ABS	1-F1	2-35	30	MOLDING, L. SADDLEBAG SIDE *Y130P* (PEARL HOT ROD YELLOW)	1-H5	2-107	31
MOLDING, L. COWL TRIM *NHA27M* (BILLET SILVER METALLIC)	1-F5	2-43	10	MOLDING, L. TRUNK SIDE *NHA27M* (BILLET SILVER METALLIC)	1-H1	2-99	16
MOLDING, L. COWL TRIM *NHA29* (ARCTIC WHITE) .	1-F5	2-43	10	MOLDING, L. TRUNK SIDE *NHA29* (ARCTIC WHITE) .	1-H1	2-99	16
MOLDING, L. COWL TRIM *NHA45M* (PORTLAND GRAY METALLIC)	1-F5	2-43	10	MOLDING, L. TRUNK SIDE *NHA45M* (PORTLAND GRAY METALLIC)	1-H1	2-99	16
MOLDING, L. COWL TRIM *PB356M* (NOVA BLUE METALLIC)	1-F5	2-43	10	MOLDING, L. TRUNK SIDE *PB356M* (NOVA BLUE METALLIC)	1-H1	2-99	16
MOLDING, L. COWL TRIM *R287M* (BLOODSTONE RED METALLIC)	1-F5	2-43	10	MOLDING, L. TRUNK SIDE *R287M* (BLOODSTONE RED METALLIC)	1-H1	2-99	16
MOLDING, L. COWL TRIM *Y130P* (PEARL HOT ROD YELLOW)	1-F5	2-43	10	MOLDING, L. TRUNK SIDE *Y130P* (PEARL HOT ROD YELLOW)	1-H1	2-99	16
MOLDING, L. RR. SADDLEBAG (LOWER) *NHA27M* (BILLET SILVER METALLIC)	1-H6	2-109	34	MOLDING, R. COWL TRIM *NHA27M* (BILLET SILVER METALLIC)	1-F5	2-42	9
MOLDING, L. RR. SADDLEBAG (LOWER) *NHA29* (ARCTIC WHITE)	1-H6	2-109	34	MOLDING, R. COWL TRIM *NHA29* (ARCTIC WHITE) .	1-F5	2-42	9
MOLDING, L. RR. SADDLEBAG (LOWER) *NHA45M* (PORTLAND GRAY METALLIC)	1-H6	2-109	34	MOLDING, R. COWL TRIM *NHA45M* (PORTLAND GRAY METALLIC)	1-F5	2-42	9
MOLDING, L. RR. SADDLEBAG (LOWER) *PB356M* (NOVA BLUE METALLIC)	1-H6	2-109	34	MOLDING, R. COWL TRIM *PB356M* (NOVA BLUE METALLIC)	1-F5	2-42	9
MOLDING, L. RR. SADDLEBAG (LOWER) *R287M* (BLOODSTONE RED METALLIC)	1-H6	2-109	34	MOLDING, R. COWL TRIM *R287M* (BLOODSTONE RED METALLIC)	1-F5	2-42	9
MOLDING, L. RR. SADDLEBAG (LOWER) *Y130P* (PEARL HOT ROD YELLOW)	1-H6	2-109	34	MOLDING, R. COWL TRIM *Y130P* (PEARL HOT ROD YELLOW)	1-F5	2-42	9
MOLDING, L. RR. SADDLEBAG *NHA27M* (BILLET SILVER METALLIC)	1-H6	2-108	32	MOLDING, R. RR. SADDLEBAG (LOWER) *NHA27M* (BILLET SILVER METALLIC)	1-H5	2-106	17
MOLDING, L. RR. SADDLEBAG *NHA29* (ARCTIC WHITE)	1-H6	2-108	32	MOLDING, R. RR. SADDLEBAG (LOWER) *NHA29* (ARCTIC WHITE)	1-H5	2-106	17
MOLDING, L. RR. SADDLEBAG *NHA45M* (PORTLAND GRAY METALLIC)	1-H6	2-108	32	MOLDING, R. RR. SADDLEBAG (LOWER) *NHA45M* (PORTLAND GRAY METALLIC)	1-H5	2-106	17
MOLDING, L. RR. SADDLEBAG *PB356M* (NOVA BLUE METALLIC)	1-H6	2-108	32				

DESCRIPTION INDEX

Description	Grid	Page	Ref	Description	Grid	Page	Ref
MOLDING, R. RR. SADDLEBAG (LOWER) *PB356M* (NOVA BLUE METALLIC)	1-H5	2-106	17	MOLDING, TRUNK CENTER *NHA29* (ARCTIC WHITE)	1-H1	2-99	17
MOLDING, R. RR. SADDLEBAG (LOWER) *R287M* (BLOODSTONE RED METALLIC)	1-H5	2-106	17	MOLDING, TRUNK CENTER *NHA45M* (PORTLAND GRAY METALLIC)	1-H2	2-100	17
MOLDING, R. RR. SADDLEBAG (LOWER) *Y130P* (PEARL HOT ROD YELLOW)	1-H4	2-105	17	MOLDING, TRUNK CENTER *PB356M* (NOVA BLUE METALLIC)	1-H2	2-100	17
MOLDING, R. RR. SADDLEBAG *NHA27M* (BILLET SILVER METALLIC)	1-H4	2-105	14	MOLDING, TRUNK CENTER *R287M* (BLOODSTONE RED METALLIC)	1-H1	2-99	17
MOLDING, R. RR. SADDLEBAG *NHA29* (ARCTIC WHITE)	1-H4	2-105	14	MOLDING, TRUNK CENTER *Y130P* (PEARL HOT ROD YELLOW)	1-H1	2-99	17
MOLDING, R. RR. SADDLEBAG *NHA45M* (PORTLAND GRAY METALLIC)	1-H4	2-105	14	MOTOR ASSY., L. FAN	1-G8	2-80	6
MOLDING, R. RR. SADDLEBAG *PB356M* (NOVA BLUE METALLIC)	1-H4	2-105	14	MOTOR ASSY., R. FAN	1-G8	2-80	5
MOLDING, R. RR. SADDLEBAG *R287M* (BLOODSTONE RED METALLIC)	1-H4	2-105	14	MOTOR ASSY., STARTER	1-C9	1-19	1
MOLDING, R. RR. SADDLEBAG *Y130P* (PEARL HOT ROD YELLOW)	1-H4	2-105	14	MUFFLER, L.	1-F11	2-55	23
MOLDING, R. SADDLEBAG SIDE (LOWER) *NHA27M* (BILLET SILVER METALLIC)	1-H4	2-105	16	MUFFLER, R.	1-F11	2-54	6
MOLDING, R. SADDLEBAG SIDE (LOWER) *NHA29* (ARCTIC WHITE)	1-H4	2-105	16	(N)			
MOLDING, R. SADDLEBAG SIDE (LOWER) *NHA45M* (PORTLAND GRAY METALLIC)	1-H4	2-105	16	NECK, FILLER	1-G7	2-78	4
MOLDING, R. SADDLEBAG SIDE (LOWER) *PB356M* (NOVA BLUE METALLIC)	1-H4	2-105	16	NUT, AIR SPOILER CLIP	1-E1	2-2	18
MOLDING, R. SADDLEBAG SIDE (LOWER) *R287M* (BLOODSTONE RED METALLIC)	1-H4	2-105	16		1-G14	2-93	23
MOLDING, R. SADDLEBAG SIDE (LOWER) *Y130P* (PEARL HOT ROD YELLOW)	1-H4	2-105	16	NUT, ANTENNA	1-H9	2-115	13
MOLDING, R. SADDLEBAG SIDE *NHA27M* (BILLET SILVER METALLIC)	1-H4	2-105	13	NUT, CAP (6MM)	1-E6	2-12	16
MOLDING, R. SADDLEBAG SIDE *NHA29* (ARCTIC WHITE)	1-H4	2-104	13		1-E7	2-15	20
MOLDING, R. SADDLEBAG SIDE *NHA45M* (PORTLAND GRAY METALLIC)	1-H4	2-105	13		1-F11	2-55	42
MOLDING, R. SADDLEBAG SIDE *PB356M* (NOVA BLUE METALLIC)	1-H4	2-105	13		1-G1	2-66	10
MOLDING, R. SADDLEBAG SIDE *R287M* (BLOODSTONE RED METALLIC)	1-H4	2-105	16		1-H6	2-109	45
MOLDING, R. SADDLEBAG SIDE *Y130P* (PEARL HOT ROD YELLOW)	1-H4	2-105	16	NUT, CLIP	1-H2	2-101	60
MOLDING, R. SADDLEBAG SIDE *NHA27M* (BILLET SILVER METALLIC)	1-H4	2-105	13	NUT, CLIP (5MM)	1-E10	2-21	18
MOLDING, R. SADDLEBAG SIDE *NHA29* (ARCTIC WHITE)	1-H4	2-104	13		1-G3	2-71	16
MOLDING, R. SADDLEBAG SIDE *NHA45M* (PORTLAND GRAY METALLIC)	1-H4	2-105	13		1-G14	2-93	28
MOLDING, R. SADDLEBAG SIDE *PB356M* (NOVA BLUE METALLIC)	1-H4	2-105	13	NUT, CONNECTING ROD	1-C16	1-33	9
MOLDING, R. SADDLEBAG SIDE *R287M* (BLOODSTONE RED METALLIC)	1-H4	2-104	13	NUT, COWL SETTING (5MM)	1-H10	2-116	22
MOLDING, R. SADDLEBAG SIDE *Y130P* (PEARL HOT ROD YELLOW)	1-H4	2-104	13	NUT, COWL (UPPER)	1-G14	2-93	18
MOLDING, R. TRUNK SIDE *NHA27M* (BILLET SILVER METALLIC)	1-H1	2-99	15	NUT, FLANGE (10MM)	1-G9	2-83	30
MOLDING, R. TRUNK SIDE *NHA29* (ARCTIC WHITE)	1-H1	2-99	15	NUT, FLANGE (12MM)	1-F15	2-62	11
MOLDING, R. TRUNK SIDE *NHA45M* (PORTLAND GRAY METALLIC)	1-H1	2-99	15		1-F15	2-63	19
MOLDING, R. TRUNK SIDE *PB356M* (NOVA BLUE METALLIC)	1-H1	2-99	15		1-G9	2-83	31
MOLDING, R. TRUNK SIDE *R287M* (BLOODSTONE RED METALLIC)	1-H1	2-99	15	NUT, FLANGE (4MM)	1-E1	2-3	22
MOLDING, R. TRUNK SIDE *Y130P* (PEARL HOT ROD YELLOW)	1-H1	2-99	15	NUT, FLANGE (5MM)	1-E1	2-3	23
MOLDING, TRUNK CENTER *NHA27M* (BILLET SILVER METALLIC)	1-H1	2-99	17		1-E10	2-21	19
					1-G1	2-66	12
					1-G3	2-70	15
					1-H7	2-110	58
				NUT, FLANGE (6MM)	1-E3	2-6	20
					1-F6	2-45	36
					1-G4	2-72	22
					1-G12	2-89	64
				NUT, FLANGE (8MM)	1-H9	2-114	19
				NUT, FLANGE CAP (5MM)	1-G3	2-70	13
					1-G12	2-88	49
				NUT, HEX. (10MM)	1-E11	2-23	23
				NUT, HEX. (16MM)	1-F4	2-41	22
				NUT, HEX. (22MM)	1-C8	1-17	20
				NUT, HEX. (4MM)	1-C15	1-31	32

DESCRIPTION INDEX

Description	Grid	Page	Ref	Description	Grid	Page	Ref
NUT, HEX. (6MM)	1-G4	2-72	21	O-RING (16X2.1)	1-C5	1-11	23
	1-G12	2-89	63	O-RING (18.1X3.6)	1-C15	1-31	31
NUT, HEX. (8MM)	1-E16	2-33	27	O-RING (18X3)	1-C11	1-22	20
NUT, LOCK	1-G9	2-82	26	O-RING (18X3) (ARAI)	1-C14	1-28	16
NUT, LOCK (20MM)	1-G9	2-82	25	O-RING (23X2.4)	1-D3	1-39	25
NUT, LOCK (30MM)	1-C13	1-27	11	O-RING (2.5X1.5)	1-E12	2-24	9
NUT, LOCK (40MM)	1-C8	1-17	21		1-E13	2-26	8
NUT, RR. FENDER	1-F16	2-65	4		1-E14	2-28	9
NUT, SERRATE (5MM)	1-G8	2-80	10		1-F2	2-36	13
NUT, SET	1-G7	2-78	2	O-RING (30.8MM)	1-F4	2-41	30
	1-G8	2-80	1	O-RING (31.5X2.0)	1-C6	1-12	10
NUT, SIDE STAND	1-F14	2-60	13	O-RING (32.95X2.62) (ARAI)	1-C6	1-12	9
NUT, SPECIAL (22MM)	1-C13	1-27	10	O-RING (37.2X2.4) (SHOWA)	1-E11	2-23	40
NUT, SPECIAL (6MM)	1-F11	2-55	41	O-RING (48.1X3.6) (ARAI)	1-C6	1-13	17
	1-H3	2-102	61	O-RING (4.8X1.9)	1-H3	2-103	1
NUT, SPECIAL (8MM)	1-E16	2-33	22	O-RING (51.6X2.3) (ARAI)	1-C8	1-17	28
NUT, SPRING (5MM)	1-G14	2-93	24	O-RING (5.7X2.2) (ARAI)	1-C7	1-15	5
NUT, SPRING (6MM)	1-E1	2-2	17	O-RING (59.6X2.4)	1-C9	1-19	15
	1-G1	2-66	11	O-RING (62.4X3.1)	1-C11	1-22	19
	1-G14	2-93	25	O-RING (63X3) (ARAI)	1-C11	1-22	19
	1-G14	2-93	26	O-RING (64.5X3.5)	1-F4	2-41	31
	1-H6	2-109	46	O-RING (6X1.7)	1-H7	2-110	52
NUT, SQUARE (5MM)	1-C2	1-4	8	O-RING (7.47X3.6)	1-D5	1-43	6
NUT, STEERING STEM	1-E8	2-17	27	O-RING (7.52X3.53)	1-D4	1-41	12
NUT, SWINGARM PIVOT	1-F15	2-62	12	O-RING (7.85X3.53)	1-D5	1-43	7
NUT, SWITCH PLATE (NISSIN)	1-E16	2-32	16	O-RING (7.8X1.9)	1-D4	1-41	17
NUT, U (10MM)	1-F15	2-63	18	O-RING (7.8X1.9) (NOK)	1-C14	1-29	18
NUT, WHEEL	1-F3	2-38	12	O-RING (8.5X1.5)	1-H7	2-110	53
NUT, WINDSCREEN SETTING	1-G11	2-86	5	O-RING (93.3X2.3) (ARAI)	1-C8	1-17	29
NUT-WASHER (6MM)	1-C9	1-19	13	O-RING (94.5X2)	1-F4	2-41	21
				O-RING (9.8X1.9)	1-D4	1-40	3
(O)				O-RING B (6.8X2.5) (ARAI)	1-C11	1-22	18
OIL SEAL (110X125X7)	1-F4	2-41	29	O-RING, PRESSURE REGULATOR (12.1X1.9) (HONDA KIKAKI)	1-D4	1-41	6
OIL SEAL (11X15X3) (KOYO)	1-C14	1-28	15	OUTER, L. TRUNK POCKET	1-H2	2-101	38
OIL SEAL (14X28X7) (ARAI)	1-C15	1-31	30	OUTER, R. TRUNK POCKET	1-H2	2-100	27
OIL SEAL (27X34X5)	1-C11	1-22	17	OUTLET ASSY., L. FRESH AIR (LOWER)	1-F5	2-43	13
OIL SEAL (27X43X7)	1-F15	2-62	15	OUTLET ASSY., L. FRESH AIR (UPPER)	1-F5	2-43	14
OIL SEAL (28X48X9) (NOK)	1-C11	1-22	16	OUTLET ASSY., R. FRESH AIR (LOWER)	1-F5	2-43	11
OIL SEAL (39X56X7) (NOK)	1-F4	2-41	28	OUTLET ASSY., R. FRESH AIR (UPPER)	1-F5	2-43	12
OIL SEAL (7X18X5) (ARAI)	1-C7	1-15	4				
OIL SEAL (8X18X5) (NISSIN)	1-C6	1-13	16	(P)			
OIL SEAL (8X25X8) (ARAI)	1-D2	1-37	25	PAD SET, FR.	1-E12	2-24	4
OPENER UNIT	1-H7	2-111	2		1-E13	2-26	3
ORIFICE (2.3MM)	1-C15	1-30	3		1-E14	2-28	3
ORIFICE, CLUTCH CONTROL	1-C10	1-21	10	PAD SET, RR.	1-F2	2-36	2
O-RING	1-C9	1-18	6	PANEL, FR. TRUNK	1-H1	2-98	12
	1-C9	1-19	16	PANEL, L. SADDLEBAG	1-H5	2-107	25
	1-E8	2-17	23	PANEL, METER *NH389M* (MAT BULLET SILVER) ...	1-E2	2-4	3
O-RING (11.8X2.4)	1-C11	1-23	17	PANEL, R. SADDLEBAG	1-H4	2-104	8
O-RING (14.7X2.2) (ARAI)	1-C11	1-22	21	PANEL, R. SHELTER SWITCH	1-F6	2-44	24
	1-C14	1-28	17	PEDAL, GEARSHIFT	1-F12	2-57	1
O-RING (14.8X2.2)	1-C11	1-22	21	PEDAL, RR. BRAKE	1-F12	2-57	3
	1-C14	1-28	17	PGM-FI UNIT	1-G6	2-76	12
O-RING (14.8X2.4)	1-E16	2-33	25	PIECE, CLUTCH JOINT	1-C8	1-16	14

DESCRIPTION INDEX

Description	Grid	Page	Ref	Description	Grid	Page	Ref
PIECE, OIL LOCK	1-E11	2-23	20	PISTON (25X27)	1-E13	2-26	10
PIN A, DOWEL (10X16)	1-C11	1-22	22	PISTON (27X27)	1-E14	2-28	4
PIN A, DOWEL (12X20)	1-C2	1-5	23	PISTON (27X31)	1-F2	2-36	4
	1-C15	1-31	33	PISTON B (25X35)	1-E12	2-25	19
PIN A, DOWEL (14X20)	1-F4	2-41	34		1-E13	2-26	18
PIN A, DOWEL (6X10)	1-C7	1-15	6	PISTON, CLUTCH	1-C8	1-16	2
PIN A, DOWEL (8X14)	1-C7	1-14	20	PISTON, L. (0.75)	1-C16	1-33	4
	1-C7	1-15	7	PISTON, L. (1.00)	1-C16	1-33	4
	1-C12	1-24	27	PISTON, L. (OS 0.25)	1-C16	1-32	4
	1-C14	1-29	19	PISTON, L. (OS 0.50)	1-C16	1-32	4
PIN, BOLT	1-E12	2-24	13	PISTON, L. (STD)	1-C16	1-32	4
	1-E13	2-26	12	PISTON, R. (0.75)	1-C16	1-32	3
	1-E14	2-28	12	PISTON, R. (1.00)	1-C16	1-32	3
	1-F2	2-36	15	PISTON, R. (OS 0.25)	1-C16	1-32	3
PIN C, DOWEL (4X6.5)	1-C15	1-31	34	PISTON, R. (OS 0.50)	1-C16	1-32	3
PIN, COTTER (2.0X15)	1-E16	2-33	28	PISTON, R. (STD)	1-C16	1-32	3
	1-F13	2-59	28	PISTON SET, FR. MASTER CYLINDER	1-E6	2-12	11
PIN D, JOINT	1-E16	2-33	29	PISTON SET, MASTER	1-E7	2-14	3
PIN, DOWEL (10X16)	1-F4	2-41	35	PISTON SET, MASTER CYLINDER	1-E5	2-10	9
PIN, DOWEL (8X20)	1-C2	1-5	22	PISTON SET, RR. MASTER CYLINDER	1-E16	2-32	12
PIN, GEARSHIFT FORK GUIDE	1-D1	1-35	18	PISTON, SLAVE CYLINDER	1-C6	1-13	7
PIN, HANGER	1-E12	2-24	18	PIVOT, SHIFT DRUM STOPPER ARM	1-D2	1-37	19
	1-E13	2-26	17	PLATE	1-E1	2-2	2
	1-E14	2-29	19	PLATE A, BEARING SETTING	1-D1	1-34	1
	1-F2	2-37	19	PLATE A SET, TURN SIGNAL	1-E3	2-7	15
PIN, LOCK (12MM)	1-C6	1-12	11	PLATE A, STOP SWITCH SETTING	1-E3	2-7	3
PIN, LOCK (8MM)	1-F13	2-59	29	PLATE, AIR IN.	1-C15	1-30	10
PIN, PILLION STEP	1-F13	2-58	15	PLATE, ANGLE SENSOR (LOWER)	1-E9	2-18	5
PIN, PISTON	1-C11	1-23	1	PLATE, ANGLE SENSOR (UPPER)	1-E9	2-18	4
	1-C16	1-33	5	PLATE, ANTENNA SETTING	1-H10	2-116	21
PIN, SHIFT RETURN SPRING	1-D2	1-36	16	PLATE ASSY., REFLECTING	1-E2	2-5	4
PIN, STEP BAR	1-F13	2-58	6	PLATE B, BEARING SETTING	1-D1	1-34	2
PIPE C, RR. BRAKE MAIN	1-F1	2-34	11	PLATE B SET, TURN SIGNAL	1-E4	2-8	19
PIPE, COWL SIDE	1-G16	2-96	3	PLATE B, STOP SWITCH SETTING	1-E3	2-7	4
PIPE, CP	1-E1	2-2	6	PLATE, BANK ANGLE SENSOR	1-E1	2-2	13
PIPE, DRAIN	1-H9	2-115	7	PLATE, BREATHER	1-C10	1-21	6
PIPE, L. BYPASS	1-D3	1-38	16	PLATE, CLUTCH	1-C8	1-16	8
PIPE, L. EX.	1-F11	2-54	2	PLATE, CLUTCH LIFTER	1-C8	1-16	11
PIPE, L. FR. FORK	1-E11	2-23	29	PLATE, CLUTCH PRESSURE	1-C8	1-16	9
PIPE, L. FUEL	1-D4	1-41	4	PLATE, COUNTERSHAFT BEARING	1-D1	1-34	5
PIPE, L. SADDLEBAG GUARD	1-H8	2-113	17	PLATE, DAMPER MOUNTING (LOWER)	1-H6	2-109	38
PIPE, L. WATER	1-D3	1-38	2	PLATE, DAMPER MOUNTING (UPPER)	1-H6	2-109	37
PIPE, R. BYPASS	1-D3	1-38	15	PLATE, DIAPHRAGM	1-E16	2-32	18
PIPE, R. EX.	1-F11	2-54	1	PLATE, DIAPHRAGM (NISSIN)	1-E6	2-12	8
PIPE, R. FR. FORK	1-E11	2-22	13		1-E7	2-14	13
PIPE, R. FUEL	1-D4	1-41	2	PLATE, GEARSHIFT DRUM BEARING SETTING	1-D2	1-36	17
PIPE, R. SADDLEBAG GUARD	1-H8	2-113	16	PLATE, HEADLIGHT (LOWER)	1-G14	2-93	17
PIPE, R. WATER	1-D3	1-38	1	PLATE, HEADLIGHT (UPPER)	1-E1	2-2	16
PIPE, RR. FRAME END	1-H8	2-113	18	PLATE, L. PILLION STEP	1-F13	2-59	18
PIPE, SEAT	1-E11	2-23	32	PLATE, L. PILLION STEP CLICK	1-F13	2-59	21
PISTON (22X35) (B)	1-E12	2-24	17	PLATE, L. POCKET ARM POSITION	1-G15	2-94	12
	1-E13	2-26	16	PLATE, LOST MOTION	1-C11	1-23	9
	1-E14	2-28	18	PLATE, MUFFLER	1-F11	2-54	7
PISTON (22X39)	1-F2	2-36	9	PLATE, ORNAMENT (A)	1-E3	2-7	5
PISTON (25X27)	1-E12	2-24	11		1-E3	2-7	16
				PLATE, ORNAMENT (B)	1-E3	2-7	6

DESCRIPTION INDEX

Description	Grid	Page	Ref	Description	Grid	Page	Ref
PIECE, OIL LOCK	1-E11	2-23	20	PISTON (25X27)	1-E13	2-26	10
PIN A, DOWEL (10X16)	1-C11	1-22	22	PISTON (27X27)	1-E14	2-28	4
PIN A, DOWEL (12X20)	1-C2	1-5	23	PISTON (27X31)	1-F2	2-36	4
	1-C15	1-31	33	PISTON B (25X35)	1-E12	2-25	19
PIN A, DOWEL (14X20)	1-F4	2-41	34		1-E13	2-26	18
PIN A, DOWEL (6X10)	1-C7	1-15	6	PISTON, CLUTCH	1-C8	1-16	2
PIN A, DOWEL (8X14)	1-C7	1-14	20	PISTON, L. (0.75)	1-C16	1-33	4
	1-C7	1-15	7	PISTON, L. (1.00)	1-C16	1-33	4
	1-C12	1-24	27	PISTON, L. (OS 0.25)	1-C16	1-32	4
	1-C14	1-29	19	PISTON, L. (OS 0.50)	1-C16	1-32	4
PIN, BOLT	1-E12	2-24	13	PISTON, L. (STD)	1-C16	1-32	4
	1-E13	2-26	12	PISTON, R. (0.75)	1-C16	1-32	3
	1-E14	2-28	12	PISTON, R. (1.00)	1-C16	1-32	3
	1-F2	2-36	15	PISTON, R. (OS 0.25)	1-C16	1-32	3
PIN C, DOWEL (4X6.5)	1-C15	1-31	34	PISTON, R. (OS 0.50)	1-C16	1-32	3
PIN, COTTER (2.0X15)	1-E16	2-33	28	PISTON, R. (STD)	1-C16	1-32	3
	1-F13	2-59	28	PISTON SET, FR. MASTER CYLINDER	1-E6	2-12	11
PIN D, JOINT	1-E16	2-33	29	PISTON SET, MASTER	1-E7	2-14	3
PIN, DOWEL (10X16)	1-F4	2-41	35	PISTON SET, MASTER CYLINDER	1-E5	2-10	9
PIN, DOWEL (8X20)	1-C2	1-5	22	PISTON SET, RR. MASTER CYLINDER	1-E16	2-32	12
PIN, GEARSHIFT FORK GUIDE	1-D1	1-35	18	PISTON, SLAVE CYLINDER	1-C6	1-13	7
PIN, HANGER	1-E12	2-24	18	PIVOT, SHIFT DRUM STOPPER ARM	1-D2	1-37	19
	1-E13	2-26	17	PLATE	1-E1	2-2	2
	1-E14	2-29	19	PLATE A, BEARING SETTING	1-D1	1-34	1
	1-F2	2-37	19	PLATE A SET, TURN SIGNAL	1-E3	2-7	15
PIN, LOCK (12MM)	1-C6	1-12	11	PLATE A, STOP SWITCH SETTING	1-E3	2-7	3
PIN, LOCK (8MM)	1-F13	2-59	29	PLATE, AIR IN.	1-C15	1-30	10
PIN, PILLION STEP	1-F13	2-58	15	PLATE, ANGLE SENSOR (LOWER)	1-E9	2-18	5
PIN, PISTON	1-C11	1-23	1	PLATE, ANGLE SENSOR (UPPER)	1-E9	2-18	4
	1-C16	1-33	5	PLATE, ANTENNA SETTING	1-H10	2-116	21
PIN, SHIFT RETURN SPRING	1-D2	1-36	16	PLATE ASSY., REFLECTING	1-E2	2-5	4
PIN, STEP BAR	1-F13	2-58	6	PLATE B, BEARING SETTING	1-D1	1-34	2
PIPE C, RR. BRAKE MAIN	1-F1	2-34	11	PLATE B SET, TURN SIGNAL	1-E4	2-8	19
PIPE, COWL SIDE	1-G16	2-96	3	PLATE B, STOP SWITCH SETTING	1-E3	2-7	4
PIPE, CP	1-E1	2-2	6	PLATE, BANK ANGLE SENSOR	1-E1	2-2	13
PIPE, DRAIN	1-H9	2-115	7	PLATE, BREATHER	1-C10	1-21	6
PIPE, L. BYPASS	1-D3	1-38	16	PLATE, CLUTCH	1-C8	1-16	8
PIPE, L. EX.	1-F11	2-54	2	PLATE, CLUTCH LIFTER	1-C8	1-16	11
PIPE, L. FR. FORK	1-E11	2-23	29	PLATE, CLUTCH PRESSURE	1-C8	1-16	9
PIPE, L. FUEL	1-D4	1-41	4	PLATE, COUNTERSHAFT BEARING	1-D1	1-34	5
PIPE, L. SADDLEBAG GUARD	1-H8	2-113	17	PLATE, DAMPER MOUNTING (LOWER)	1-H6	2-109	38
PIPE, L. WATER	1-D3	1-38	2	PLATE, DAMPER MOUNTING (UPPER)	1-H6	2-109	37
PIPE, R. BYPASS	1-D3	1-38	15	PLATE, DIAPHRAGM	1-E16	2-32	18
PIPE, R. EX.	1-F11	2-54	1	PLATE, DIAPHRAGM (NISSIN)	1-E6	2-12	8
PIPE, R. FR. FORK	1-E11	2-22	13		1-E7	2-14	13
PIPE, R. FUEL	1-D4	1-41	2	PLATE, GEARSHIFT DRUM BEARING SETTING	1-D2	1-36	17
PIPE, R. SADDLEBAG GUARD	1-H8	2-113	16	PLATE, HEADLIGHT (LOWER)	1-G14	2-93	17
PIPE, R. WATER	1-D3	1-38	1	PLATE, HEADLIGHT (UPPER)	1-E1	2-2	16
PIPE, RR. FRAME END	1-H8	2-113	18	PLATE, L. PILLION STEP	1-F13	2-59	18
PIPE, SEAT	1-E11	2-23	32	PLATE, L. PILLION STEP CLICK	1-F13	2-59	21
PISTON (22X35) (B)	1-E12	2-24	17	PLATE, L. POCKET ARM POSITION	1-G15	2-94	12
	1-E13	2-26	16	PLATE, LOST MOTION	1-C11	1-23	9
	1-E14	2-28	18	PLATE, MUFFLER	1-F11	2-54	7
PISTON (22X39)	1-F2	2-36	9	PLATE, ORNAMENT (A)	1-E3	2-7	5
PISTON (25X27)	1-E12	2-24	11		1-E3	2-7	16
				PLATE, ORNAMENT (B)	1-E3	2-7	6

DESCRIPTION INDEX

Description	Grid	Page	Ref	Description	Grid	Page	Ref
PLATE, ORNAMENT (C)	1-E3	2-7	17	REGULATOR ASSY., PRESSURE	1-D4	1-41	5
PLATE, ORNAMENT (D)	1-E3	2-7	18	REGULATOR, REVERSE	1-G6	2-76	2
PLATE, PILLION STEP CLICK	1-F13	2-58	14	REGULATOR SET	1-C9	1-18	13
PLATE, POCKET LOCK	1-F5	2-43	17	RELAY ASSY., POWER (MICRO ISO 4P)	1-G5	2-75	23
	1-G15	2-95	22	RELAY, POWER (MICRO ISO 5P)	1-G5	2-75	24
PLATE, PRIMARY BEARING SETTING	1-C10	1-21	7		1-G6	2-76	14
PLATE, R. PILLION STEP	1-F13	2-58	11	RELAY, POWER (MINI ISO 4P)	1-G6	2-76	15
PLATE, R. POCKET ARM POSITION	1-G15	2-94	11	RESISTOR ASSY., REVERSE	1-G6	2-76	3
PLATE, REVERSE CABLE HOLDER	1-C12	1-25	5	RETAINER, BEARING	1-F3	2-39	9
PLATE, STAY (UPPER)	1-G6	2-76	18	RETAINER, BRACKET	1-E12	2-24	10
PLATE, STEP SETTING	1-F13	2-58	5		1-E13	2-26	9
PLATE, STOPPER	1-E7	2-14	12		1-E14	2-28	10
PLATE, SWITCH	1-E16	2-32	14	RETAINER, FINAL SHAFT	1-C13	1-27	7
PLATE, WINDSCREEN SETTING	1-G11	2-86	6	RETAINER, RR. BRACKET	1-F2	2-36	6
PLIERS (150)	1-G10	2-84	5	RETAINER, VALVE SPRING	1-C3	1-6	8
PLUG	1-G6	2-76	16	RING	1-C9	1-19	6
PLUG, BREATHER TUBE	1-F8	2-49	13		1-C9	1-19	9
PLUG, HEX. (6MM)	1-C1	1-2	5	RING, BACK-UP	1-E11	2-22	14
PLUG, PIN	1-E12	2-24	16	RING, FR. PULSER	1-E15	2-30	10
	1-E13	2-26	15	RING, HANDLE WEIGHT SNAP	1-E8	2-17	14
	1-E14	2-28	17	RING, OIL SEAL STOPPER	1-E11	2-23	22
	1-F2	2-36	18	RING, PISTON	1-E11	2-23	21
POCKET, L. FR.	1-G15	2-94	17	RING, PULSER (RR)	1-F3	2-38	3
POCKET, R. FR.	1-G15	2-94	10	RING, SEAL	1-C9	1-19	8
PROTECTOR	1-E6	2-12	5	RING SET, PISTON (0.75)	1-C16	1-32	1
	1-E7	2-14	9		1-C16	1-32	2
PROTECTOR ASSY., L. EX. *NH168M* (VERNIER GRAY METALLIC)	1-F11	2-55	33	RING SET, PISTON (1.00)	1-C16	1-32	1
PROTECTOR ASSY., R. EX. *NH168M* (VERNIER GRAY METALLIC)	1-F11	2-55	19		1-C16	1-32	2
PROTECTOR B, L. FR. EX. PIPE	1-F11	2-55	25	RING SET, PISTON (OS 0.25)	1-C16	1-32	1
PROTECTOR B, R. FR. EX. PIPE	1-F11	2-54	11		1-C16	1-32	2
PROTECTOR, HEAT	1-F11	2-54	16	RING SET, PISTON (OS 0.50)	1-C16	1-32	1
PROTECTOR, HEAT SUB	1-F11	2-54	18		1-C16	1-32	2
PROTECTOR, L. RR. EX. PIPE	1-F11	2-55	24	RING SET, PISTON (STD)	1-C16	1-32	1
PROTECTOR, R. RR. EX. PIPE	1-F11	2-54	10		1-C16	1-32	2
PROTECTOR SET, L. SIDE *NH303M* (MAT AXIS GRAY METALLIC)	1-F10	2-53	9	RING, SETTING (123MM)	1-C8	1-17	26
PROTECTOR SET, R. SIDE *NH303M* (MAT AXIS GRAY METALLIC)	1-F10	2-52	7	RING, SPACER	1-F7	2-47	6
PROTECTOR, WIND	1-E9	2-18	10	RING, STOPPER	1-E11	2-22	12
PULLER, MINI FUSE	1-G5	2-75	19		1-F3	2-39	4
PULSER ASSY., CAM	1-C5	1-10	13		1-F15	2-62	5
PUMP ASSY., FUEL	1-F7	2-47	1	ROD A, SADDLEBAG STRIKER	1-H5	2-106	19
PUMP ASSY., OIL	1-C14	1-28	1	ROD ASSY., CONNECTING	1-C16	1-33	6
				ROD B, SADDLEBAG STRIKER	1-H5	2-106	20
(R)				ROD, CENTER	1-H7	2-111	12
RADIATOR, L.	1-G7	2-78	7	ROD, CLUTCH LIFTER	1-C8	1-17	19
RADIATOR, R.	1-G7	2-78	1	ROD, L.	1-H7	2-111	10
RECTIFIER	1-G5	2-74	3	ROD, PUSH	1-E7	2-14	1
RECTIFIER ASSY.	1-C9	1-18	10		1-E16	2-32	13
RECTIFIER, SILICON	1-G5	2-74	2	ROD, R.	1-H7	2-111	11
REFLECTOR, FR. REFLEX	1-E10	2-20	1	ROD SUB-ASSY., SHOCK CONNECTING	1-F15	2-63	8
REFLECTOR, REFLEX	1-F16	2-65	1	ROD, TRUNK STRIKER	1-H2	2-100	26
				ROLLER (4X14.8)	1-D2	1-37	30
				ROLLER (4X15.8)	1-C14	1-29	22
				ROLLER (5X25)	1-C12	1-24	22
				ROTOR, CAM PULSE	1-C5	1-10	5
				ROTOR (INNER)	1-C14	1-28	2
				ROTOR (OUTER)	1-C14	1-28	3

DESCRIPTION INDEX

Description	Grid	Page	Ref	Description	Grid	Page	Ref
ROTOR, PULSE	1-C5	1-10	12	RUBBER, SETTING	1-C1	1-3	25
ROTOR SET	1-C9	1-18	2	RUBBER, SHELTER LID	1-F5	2-43	19
RUBBER A, L. ARMREST	1-H2	2-101	53	RUBBER, STAND STOPPER	1-F11	2-55	36
RUBBER A, L. HEAT GUARD	1-F11	2-55	26	RUBBER, STEP	1-F13	2-58	9
RUBBER A, R. ARMREST	1-H2	2-101	47	RUBBER, STOPPER	1-G16	2-97	5
RUBBER A, R. HEAT GUARD	1-F11	2-54	12	RUBBER, TENSIONER ARM	1-H8	2-113	1
RUBBER A, RR. FENDER	1-G16	2-96	7	RUBBER, THERMOSTAT	1-C6	1-12	6
RUBBER A, TRUNK POCKET SEAL	1-H2	2-100	30	RUBBER, TRUNK LIGHT SEAL (LOWER)	1-H2	2-100	23
RUBBER B, ARMREST	1-H2	2-101	48	RUBBER, TRUNK LIGHT SEAL (UPPER)	1-H2	2-100	24
RUBBER B, L. HEAT GUARD	1-F11	2-55	29	RUBBER, TRUNK MOUNTING	1-G16	2-97	6
RUBBER B, R. HEAT GUARD	1-F11	2-54	13	RUBBER, TRUNK SEAL	1-H2	2-100	19
RUBBER B, SEAT SETTING	1-F7	2-46	2				
RUBBER B, TRUNK POCKET SEAL	1-H2	2-100	31	(S)			
RUBBER, BACK PANEL SEAL	1-H5	2-106	22	SCREW	1-C9	1-18	12
RUBBER, BATTERY BOX	1-G3	2-71	14	SCREW (5X12)	1-G2	2-69	15
RUBBER C	1-F11	2-54	14	SCREW, BEAM ADJUST	1-E1	2-2	4
RUBBER C, TRUNK POCKET SEAL	1-H2	2-101	37	SCREW, BLEEDER	1-C6	1-13	13
RUBBER, CHANGE PEDAL	1-F12	2-57	2		1-E11	2-22	1
RUBBER, CONTROL BOX	1-H11	2-118	14		1-E12	2-24	5
RUBBER D	1-F11	2-54	15		1-E12	2-24	6
RUBBER, DUCT	1-F8	2-49	11		1-E13	2-26	4
RUBBER E	1-F11	2-55	31		1-E13	2-26	5
RUBBER, EX. PIPE	1-F11	2-55	32		1-E14	2-28	5
RUBBER, FAIRING SETTING	1-G11	2-87	26		1-E14	2-28	6
RUBBER, FR. PANEL	1-H2	2-100	20		1-F2	2-36	10
RUBBER, FUEL TANK MOUNTING	1-F7	2-47	3		1-F2	2-36	11
RUBBER, HANDLE WEIGHT (A)	1-E8	2-17	12	SCREW, BRACKET (4X20)	1-G2	2-69	14
RUBBER, HANDLE WEIGHT (B)	1-E8	2-17	13	SCREW, FLAT (4X12)	1-E6	2-13	19
RUBBER, HEADLIGHT CASE MOUNTING	1-H8	2-113	2		1-E7	2-15	23
RUBBER, HEADLIGHT GUARD	1-H3	2-103	3	SCREW, FLAT (6X16)	1-F3	2-38	11
RUBBER, HINGE SEAL (UPPER)	1-H5	2-107	29		1-F4	2-41	18
RUBBER, L. ADJUSTING LEVER	1-G11	2-87	22	SCREW, HINGE PATCH	1-E8	2-17	24
RUBBER, L. PILLION STEP	1-F13	2-59	20		1-E9	2-18	11
RUBBER, MAGNETIC SHOCK	1-G3	2-71	9	SCREW, OVAL (6X65)	1-E4	2-8	35
RUBBER, METER SETTING	1-E2	2-5	7	SCREW, PAN (4X20)	1-E1	2-3	20
RUBBER, MOUNT	1-H11	2-118	13	SCREW, PAN (5MM)	1-F9	2-50	20
RUBBER, MUFFLER SETTING	1-F11	2-55	27	SCREW, PAN (5X10)	1-E8	2-17	29
RUBBER, PIVOT COVER (LOWER)	1-C1	1-2	12	SCREW, PAN (5X12)	1-G12	2-88	42
RUBBER, PROTECTOR GASKET	1-F11	2-54	4		1-H2	2-101	55
RUBBER, R. ADJUSTING LEVER	1-G11	2-87	21		1-H6	2-109	40
RUBBER, R. PILLION STEP	1-F13	2-58	13		1-H7	2-111	18
RUBBER, RADIATOR MOUNTING	1-G13	2-90	1	SCREW, PAN (5X13)	1-G9	2-82	17
RUBBER, RADIATOR SETTING	1-G8	2-80	7	SCREW, PAN (5X14)	1-H7	2-110	54
RUBBER, RR. FENDER	1-G16	2-96	6	SCREW, PAN (5X18)	1-F6	2-44	32
RUBBER, RR. FENDER CUSHION	1-C12	1-25	7	SCREW, PAN (5X19)	1-F6	2-44	28
RUBBER, SADDLEBAG LIGHT	1-H5	2-107	26	SCREW, PAN (6X11)	1-C1	1-3	23
RUBBER, SADDLEBAG MOUNTING	1-H3	2-103	4		1-G12	2-88	43
	1-H8	2-113	15		1-G12	2-88	46
RUBBER, SADDLEBAG SEAL	1-H5	2-106	21		1-G14	2-93	20
RUBBER, SCREEN HOLDER	1-G11	2-87	14		1-H2	2-101	56
RUBBER, SEAT HINGE	1-E5	2-11	24	SCREW, PAN (6X14)	1-E2	2-4	10
	1-G6	2-77	19		1-E10	2-21	16
RUBBER, SEAT MOUNTING	1-F7	2-46	4		1-F1	2-35	31
RUBBER, SEAT SETTING	1-F7	2-46	3		1-F6	2-44	30
RUBBER, SEAT STOPPER	1-H8	2-113	5		1-G12	2-88	47

DESCRIPTION INDEX

Description	Grid	Page	Ref	Description	Grid	Page	Ref
SCREW, PAN (6X14)	1-G14	2-93	21	SCREW, TAPPING (5X16)	1-H3	2-102	65
	1-H10	2-117	9		1-H3	2-102	70
SCREW, PAN (6X8)	1-G12	2-89	60		1-H7	2-110	55
SCREW SET	1-D4	1-40	1	SCREW, TAPPING (5X20)	1-F9	2-50	21
SCREW, SPECIAL (5X12)	1-E10	2-21	15	SCREW, TAPPING (5X8)	1-H3	2-102	68
	1-F6	2-44	29	SCREW, VISOR SPECIAL SETTING	1-F6	2-44	31
	1-F13	2-59	23	SCREW, WASHER	1-H9	2-115	3
	1-G5	2-75	25		1-H9	2-115	6
	1-G9	2-82	16	SCREWDRIVER 2, PHILLIPS	1-G10	2-84	14
	1-G14	2-93	19	SCREWDRIVER 2, STRAIGHT SLOT	1-G10	2-84	16
SCREW, SPECIAL (6MM)	1-E9	2-18	12	SCREW-WASHER (3X12)	1-E3	2-6	18
	1-F16	2-65	7	SCREW-WASHER (3X17)	1-E2	2-5	15
	1-F16	2-65	9	SCREW-WASHER (4X12)	1-E6	2-13	20
	1-G14	2-93	22		1-E7	2-15	24
	1-H6	2-109	42		1-E16	2-33	26
	1-H6	2-109	43	SCREW-WASHER (4X16)	1-D4	1-40	4
SCREW, SPECIAL (6X19)	1-E10	2-21	14	SCREW-WASHER (4X25)	1-G15	2-95	34
SCREW, SPLASH GUARD	1-G12	2-88	41	SCREW-WASHER (5X10)	1-E4	2-9	37
SCREW, TAPPING (3X10)	1-E4	2-9	43		1-H10	2-116	28
	1-H3	2-102	66	SCREW-WASHER (5X12)	1-D4	1-40	11
SCREW, TAPPING (3X12)	1-E4	2-9	44	SCREW-WASHER (5X16)	1-H10	2-116	29
	1-F6	2-44	33	SCREW-WASHER (5X20)	1-E4	2-9	38
	1-G15	2-95	35		1-G2	2-69	16
	1-G15	2-95	36	SCREW-WASHER (5X22)	1-D4	1-40	12
SCREW, TAPPING (3X14)	1-E2	2-5	11	SCREW-WASHER (5X25)	1-E4	2-9	39
	1-E3	2-6	17	SCREW-WASHER (5X30)	1-E9	2-18	18
SCREW, TAPPING (3X16)	1-E8	2-17	28	SCREW-WASHER (5X32)	1-E4	2-9	41
SCREW, TAPPING (3X8)	1-E4	2-9	42	SCREW-WASHER (5X45)	1-E4	2-9	40
	1-E8	2-17	30	SCREW-WASHER (5X8)	1-G6	2-77	24
SCREW, TAPPING (4X10)	1-F6	2-45	34	SCREW-WASHER (6X12)	1-H3	2-102	64
	1-G12	2-89	62	SEAL, AIR DUCT	1-G14	2-92	13
	1-G14	2-93	31	SEAL, POCKET	1-G15	2-94	4
	1-G15	2-95	37	SEAL, POCKET ARM	1-G15	2-94	5
	1-H3	2-102	67	SEAL SET	1-C9	1-18	4
	1-H7	2-110	56	SEAL SET, FR. FORK	1-E11	2-23	26
SCREW, TAPPING (4X12)	1-E1	2-3	21	SEAL SET, PISTON	1-E12	2-24	1
	1-E2	2-4	13		1-E12	2-24	2
	1-G6	2-77	25		1-E13	2-26	1
	1-G14	2-93	32		1-E13	2-26	2
SCREW, TAPPING (4X16)	1-E2	2-4	14		1-E14	2-28	1
	1-E3	2-6	19		1-E14	2-28	2
SCREW, TAPPING (4X2)	1-H10	2-117	11		1-F2	2-36	1
SCREW, TAPPING (4X20)	1-G3	2-70	14		1-F2	2-36	3
SCREW, TAPPING (4X25)	1-E2	2-4	12	SEAL, TURN SIGNAL	1-E2	2-4	7
SCREW, TAPPING (4X6)	1-G12	2-89	61	SEAL, TURN SIGNAL LENS	1-F10	2-52	1
SCREW, TAPPING (5X10)	1-F10	2-53	10	SEAL, VALVE STEM (ARAI)	1-C3	1-6	1
SCREW, TAPPING (5X12)	1-G6	2-77	26	SEAL, WATER PIPE	1-D3	1-39	23
	1-H2	2-101	59	SEAL, WATER PIPE (22.5MM)	1-D3	1-39	24
	1-H3	2-102	69	SEAL, WINDSCREEN	1-G11	2-86	11
	1-H7	2-110	57	SEAT, BACK (TYPE1)	1-F7	2-46	5
SCREW, TAPPING (5X16)	1-F6	2-45	35	SEAT, BACK (TYPE2)	1-F7	2-46	5
	1-F7	2-46	9	SEAT, CLUTCH SPRING	1-C8	1-16	16
	1-F9	2-50	22	SEAT, DOUBLE (TYPE1)	1-F7	2-46	1
	1-G5	2-75	38	SEAT, DOUBLE (TYPE2)	1-F7	2-46	1
	1-G14	2-93	33	SEAT, JUDDER SPRING	1-C8	1-16	4

DESCRIPTION INDEX

Description	Grid	Page	Ref	Description	Grid	Page	Ref
SEAT, SPRING	1-E11	2-22	10	SHIM P, RING GEAR	1-F4	2-41	14
	1-E11	2-22	11	SHIM, TAPPET (1.200)	1-C3	1-6	11
SEAT, VALVE SPRING	1-C3	1-6	9	SHIM, TAPPET (1.225)	1-C3	1-6	11
SENSOR ASSY., AIR TEMPERATURE	1-F8	2-49	18	SHIM, TAPPET (1.250)	1-C3	1-6	11
SENSOR ASSY., KNOCK	1-C15	1-30	14	SHIM, TAPPET (1.275)	1-C3	1-6	11
SENSOR ASSY., MAP	1-G6	2-76	5	SHIM, TAPPET (1.300)	1-C3	1-6	11
SENSOR ASSY., SPEED	1-C15	1-30	17	SHIM, TAPPET (1.325)	1-C3	1-6	11
SENSOR ASSY., WATER TEMPERATURE	1-C2	1-4	12	SHIM, TAPPET (1.350)	1-C3	1-6	11
SENSOR, BANK ANGLE	1-E1	2-2	11	SHIM, TAPPET (1.375)	1-C3	1-6	11
	1-E1	2-2	12	SHIM, TAPPET (1.400)	1-C3	1-7	11
SENSOR, FR. WHEEL SPEED	1-E15	2-30	2	SHIM, TAPPET (1.425)	1-C3	1-7	11
SENSOR, OXYGEN (#1-3-5)	1-F11	2-55	34	SHIM, TAPPET (1.450)	1-C3	1-7	11
SENSOR, OXYGEN (#2-4-6)	1-F11	2-55	35	SHIM, TAPPET (1.475)	1-C3	1-7	11
SENSOR, RR. WHEEL SPEED	1-F3	2-38	1	SHIM, TAPPET (1.500)	1-C3	1-7	11
SENSOR SET, MAP	1-D4	1-40	10	SHIM, TAPPET (1.525)	1-C3	1-7	11
SENSOR, TEMPERATURE (OPEN AIR)	1-G15	2-94	1	SHIM, TAPPET (1.550)	1-C3	1-7	11
SHAFT, FINAL GEAR	1-C13	1-27	3	SHIM, TAPPET (1.575)	1-C3	1-7	11
SHAFT, MAIN	1-D1	1-34	3	SHIM, TAPPET (1.600)	1-C3	1-7	11
SHAFT, PROPELLER	1-F15	2-62	1	SHIM, TAPPET (1.625)	1-C3	1-7	11
SHAFT, REVERSE SHIFTER	1-C11	1-23	8	SHIM, TAPPET (1.650)	1-C3	1-7	11
SHAFT, SHIFT FORK	1-D2	1-36	4	SHIM, TAPPET (1.675)	1-C3	1-7	11
SHAFT, WATER PUMP JOINT	1-C6	1-12	2	SHIM, TAPPET (1.700)	1-C3	1-7	11
SHEET, IN. MANIFOLD	1-C2	1-4	11	SHIM, TAPPET (1.725)	1-C3	1-7	11
SHELTER ASSY., FR.	1-F5	2-43	21	SHIM, TAPPET (1.750)	1-C3	1-7	11
SHELTER, TOP *NHA27M* (BILLET SILVER METALLIC)	1-F5	2-43	22	SHIM, TAPPET (1.775)	1-C3	1-7	11
SHELTER, TOP *NHA29* (ARCTIC WHITE)	1-F5	2-43	22	SHIM, TAPPET (1.800)	1-C3	1-7	11
SHELTER, TOP *NHA45M* (PORTLAND GRAY METALLIC)	1-F5	2-43	22	SHIM, TAPPET (1.825)	1-C3	1-7	11
SHELTER, TOP *PB356M* (NOVA BLUE METALLIC) ..	1-F5	2-43	22	SHIM, TAPPET (1.850)	1-C3	1-7	11
SHELTER, TOP *R287M* (BLOODSTONE RED METALLIC)	1-F5	2-43	22	SHIM, TAPPET (1.875)	1-C3	1-7	11
SHELTER, TOP *Y130P* (PEARL HOT ROD YELLOW)	1-F5	2-43	22	SHIM, TAPPET (1.900)	1-C3	1-7	11
SHIFTER, REVERSE	1-C11	1-23	6	SHIM, TAPPET (1.925)	1-C3	1-7	11
SHIM A, PINION GEAR (1.32)	1-F3	2-39	13	SHIM, TAPPET (1.950)	1-C3	1-7	11
SHIM A, RING GEAR	1-F4	2-40	14	SHIM, TAPPET (1.975)	1-C3	1-7	11
SHIM B, PINION GEAR (1.38)	1-F3	2-39	13	SHIM, TAPPET (2.000)	1-C3	1-7	11
SHIM B, RING GEAR	1-F4	2-40	14	SHIM, TAPPET (2.025)	1-C3	1-7	11
SHIM C, PINION GEAR (1.44)	1-F3	2-39	13	SHIM, TAPPET (2.050)	1-C3	1-7	11
SHIM C, RING GEAR	1-F4	2-40	14	SHIM, TAPPET (2.075)	1-C3	1-7	11
SHIM D, PINION GEAR (1.50)	1-F4	2-40	13	SHIM, TAPPET (2.100)	1-C3	1-7	11
SHIM D, RING GEAR	1-F4	2-40	14	SHIM, TAPPET (2.125)	1-C3	1-7	11
SHIM E, PINION GEAR (1.56)	1-F4	2-40	13	SHIM, TAPPET (2.150)	1-C3	1-7	11
SHIM E, RING GEAR	1-F4	2-40	14	SHIM, TAPPET (2.175)	1-C3	1-7	11
SHIM F, PINION GEAR (1.62)	1-F4	2-40	13	SHIM, TAPPET (2.200)	1-C3	1-7	11
SHIM F, RING GEAR	1-F4	2-40	14	SHIM, TAPPET (2.225)	1-C3	1-7	11
SHIM G, PINION GEAR (1.68)	1-F4	2-40	13	SHIM, TAPPET (2.250)	1-C4	1-8	11
SHIM G, RING GEAR	1-F4	2-40	14	SHIM, TAPPET (2.275)	1-C4	1-8	11
SHIM H, RING GEAR	1-F4	2-40	14	SHIM, TAPPET (2.300)	1-C4	1-8	11
SHIM I, RING GEAR	1-F4	2-40	14	SHIM, TAPPET (2.325)	1-C4	1-8	11
SHIM J, RING GEAR	1-F4	2-40	14	SHIM, TAPPET (2.350)	1-C4	1-8	11
SHIM K, RING GEAR	1-F4	2-40	14	SHIM, TAPPET (2.375)	1-C4	1-8	11
SHIM L, RING GEAR	1-F4	2-40	14	SHIM, TAPPET (2.400)	1-C4	1-8	11
SHIM M, RING GEAR	1-F4	2-40	14	SHIM, TAPPET (2.425)	1-C4	1-8	11
SHIM N, RING GEAR	1-F4	2-40	14	SHIM, TAPPET (2.450)	1-C4	1-8	11
				SHIM, TAPPET (2.475)	1-C4	1-8	11
				SHIM, TAPPET (2.500)	1-C4	1-8	11
				SHIM, TAPPET (2.525)	1-C4	1-8	11
				SHIM, TAPPET (2.550)	1-C4	1-8	11

DESCRIPTION INDEX

Description	Grid	Page	Ref	Description	Grid	Page	Ref
SHIM, TAPPET (2.575)	1-C4	1-8	11	SPRING, POCKET LOCK CAM	1-G15	2-95	26
SHIM, TAPPET (2.600)	1-C4	1-8	11	SPRING, PROPELLER SHAFT	1-F15	2-62	3
SHIM, TAPPET (2.625)	1-C4	1-8	11	SPRING, R. STEP RETURN	1-F13	2-58	4
SHIM, TAPPET (2.650)	1-C4	1-8	11	SPRING, REVERSE LEVER	1-C11	1-23	13
SHIM, TAPPET (2.675)	1-C4	1-8	11	SPRING, SIDE STAND	1-F14	2-60	10
SHIM, TAPPET (2.700)	1-C4	1-9	11	SPRING, SLAVE CYLINDER	1-C6	1-13	8
SHIM, TAPPET (2.725)	1-C4	1-9	11	SPRING, SWITCH	1-E16	2-32	15
SHIM, TAPPET (2.750)	1-C4	1-9	11	SPRING, THRUST	1-C13	1-26	3
SHIM, TAPPET (2.775)	1-C4	1-9	11	SPRING, TRUNK POCKET	1-H2	2-101	33
SHIM, TAPPET (2.800)	1-C4	1-9	11	SPRING, VALVE	1-C3	1-6	7
SNAP	1-H7	2-111	14	SPROCKET, CAM (34T)	1-C5	1-10	2
SOCKET	1-G3	2-70	5	SPROCKET, OIL PUMP DRIVEN (22T)	1-C14	1-28	4
SOCKET, HEADLIGHT	1-E1	2-2	7	SPROCKET, TIMING (17T)	1-C5	1-10	1
SOCKET, L.	1-G1	2-67	3	STAND, MAIN	1-F14	2-60	3
SOCKET, LICENSE LIGHT	1-G3	2-70	9	STATOR	1-C9	1-18	3
SOCKET, R.	1-G1	2-67	1	STAY A, COWL (UPPER)	1-G16	2-96	2
SPANNER (14X17)	1-G10	2-84	12	STAY, ABS MODULATOR	1-G4	2-73	11
SPANNER (8MM)	1-G10	2-84	10	STAY B, COWL (UPPER)	1-G11	2-87	31
SPARK PLUG (BKR5E-11) (NGK)	1-C2	1-5	27	STAY B, LID STOPPER	1-H4	2-104	11
SPARK PLUG (BKR6E-11) (NGK)	1-C2	1-5	27	STAY, BATTERY SUPPORT	1-F7	2-47	14
SPARK PLUG (BKR7E-11) (NGK)	1-C2	1-5	27	STAY, CANISTER	1-H11	2-118	3
SPARK PLUG (K16PR-U11) (DENSO)	1-C2	1-5	27	STAY, CONNECTOR	1-E8	2-16	2
SPARK PLUG (K22PR-U11) (DENSO)	1-C2	1-5	27	STAY, FR. BRAKE HOSE CLAMP	1-E5	2-10	15
SPEAKER UNIT (FR)	1-H9	2-115	9	STAY, FR. BRAKE PIPE	1-E5	2-10	14
SPEEDOMETER	1-E2	2-5	10	STAY, FR. SPEED SENSOR	1-E15	2-30	3
SPINDLE, GEARSHIFT	1-D2	1-36	13	STAY, IGNITION COIL	1-G4	2-73	10
SPINDLE, RR. BRAKE	1-F12	2-57	4	STAY, L. COWL SIDE PIPE	1-G16	2-96	5
SPOILER, L. SIDE	1-C1	1-2	18	STAY, L. FR. BRAKE HOSE	1-E5	2-10	17
SPOILER, R. SIDE	1-C1	1-2	15	STAY, L. FR. FENDER	1-E10	2-21	12
SPRING	1-H7	2-111	13	STAY, L. INJECTION COVER	1-C1	1-2	17
SPRING A, FR. POCKET	1-G15	2-95	23	STAY, L. POCKET COVER	1-G15	2-95	28
SPRING A, MAIN STAND	1-F14	2-60	6	STAY, L. VISOR	1-G1	2-67	7
SPRING B, FR. POCKET	1-G15	2-95	24	STAY, MASTER CYLINDER OIL CUP	1-E16	2-32	11
SPRING, BRAKE RETURN	1-F12	2-57	5	STAY, MOTOR	1-F15	2-63	10
SPRING, CLUTCH	1-C8	1-16	18	STAY, P.C.S.	1-H11	2-118	12
SPRING, CLUTCH LIFTER	1-C8	1-16	13	STAY, P.C.V.	1-H10	2-117	7
SPRING, COIL	1-G15	2-94	2	STAY, PGM-FI UNIT	1-G6	2-76	13
SPRING, FINAL DAMPER	1-C13	1-27	5	STAY, PRESSURE REGULATOR	1-D4	1-41	7
SPRING, FR. FORK	1-E11	2-22	6	STAY, R. COWL SIDE PIPE	1-G16	2-96	4
SPRING, FR. REBOUND (3.5KGMM) (SHOWA)	1-E11	2-22	17	STAY, R. ENGINE SIDE COVER	1-H8	2-113	7
SPRING, GEARSHIFT DRUM STOPPER	1-D2	1-36	9	STAY, R. FR. BRAKE HOSE	1-E5	2-10	16
SPRING, GEARSHIFT RESET	1-D2	1-36	14	STAY, R. FR. FENDER	1-E10	2-21	8
SPRING, GEARSHIFT RETURN	1-D2	1-36	15	STAY, R. INJECTION COVER	1-C1	1-2	14
SPRING, HOLDER	1-G11	2-87	38	STAY, R. POCKET COVER	1-G15	2-95	27
SPRING, JUDDER	1-C8	1-16	15	STAY, R. VISOR	1-G1	2-67	6
SPRING, L. STEP RETURN	1-F13	2-58	8	STAY, REVERSE RESISTOR	1-G6	2-76	17
SPRING, LOCK KEY SETTING	1-F5	2-42	5	STAY, SADDLEBAG	1-H8	2-113	14
	1-H7	2-111	1	STAY, SHELTER SETTING	1-F7	2-47	13
SPRING, LOST MOTION	1-C11	1-23	14	STAY, SOLENOID	1-F9	2-51	3
SPRING, OIL LOCK	1-E11	2-22	7	STAY, TOOL SETTING (A)	1-H6	2-109	39
SPRING, PAD	1-E12	2-24	8	STAY, TOP SHELTER	1-H9	2-115	5
	1-E13	2-26	7	STAY, WIRE	1-D4	1-40	5
	1-E14	2-28	8	STEM SUB-ASSY., STEERING	1-E9	2-18	8
	1-F2	2-36	5	STOPPER, GEARSHIFT DRUM	1-D2	1-36	8
SPRING, PILLION STEP ADJUST CLICK	1-F13	2-58	16	STOPPER, PROPELLER SHAFT	1-F15	2-62	6
				STRAINER, OIL	1-C14	1-28	6

DESCRIPTION INDEX

Description	Grid	Page	Ref	Description	Grid	Page	Ref
SUB-HARNESS A, ENGINE	1-D5	1-43	3	TAPE A, R. SLIDE	1-G11	2-86	7
SUB-HARNESS B, ENGINE	1-D5	1-43	4	TAPE B, SLIDE	1-G11	2-86	8
SUB-HARNESS, FAIRING	1-G5	2-74	6	TAPE C, SLIDE	1-G11	2-86	9
SUB-HARNESS, INJECTOR (R)	1-D5	1-43	5	TENSIONER, CAM CHAIN	1-C5	1-10	7
SUB-HARNESS, L. SADDLEBAG	1-G5	2-74	8	TENSIONER PLATE, CAM CHAIN	1-C5	1-10	6
SUB-HARNESS, R. SADDLEBAG	1-G5	2-74	11	TERMINAL SET	1-C9	1-18	8
SUB-HARNESS, TAIL & TRUNK	1-G5	2-74	7	THERMOSTAT	1-C6	1-12	5
SUB-HARNESS, TRUNK UNIT	1-G5	2-74	9	THERMOSTAT ASSY. (NIPPON THERMOSTAT)	1-C6	1-12	5
SUB-HOSE A, BRAKE	1-E5	2-10	3	THREAD, STEERING HEAD TOP	1-E9	2-18	9
SUB-HOSE B, BRAKE	1-E5	2-10	4	THREAD, STEERING HEAD TOP (B)	1-E9	2-18	14
SUB-HOSE C, BRAKE	1-E5	2-10	6	TIRE, FR. (130/70R18 M/C 63H) (DUNLOP)	1-E15	2-30	13
SUB-HOSE D, BRAKE	1-E5	2-10	7	TIRE, RR. (180/60R16 M/C 74H) (DUNLOP)	1-F3	2-38	6
SUB-HOSE E, BRAKE	1-F1	2-35	19	TOOL SET	1-G10	2-84	1
SUB-HOSE F, BRAKE	1-F1	2-35	21	TRANSMITTER ASSY., KEYLESS	1-E8	2-17	20
SUB-PIPE A, BRAKE	1-F1	2-34	13	TRAY, FUEL FILLER	1-F7	2-47	16
SUB-PIPE B, BRAKE	1-E5	2-10	5	TUBE (12X62)	1-C15	1-30	11
SUB-PIPE C, BRAKE	1-F1	2-34	16	TUBE A, AIR BREATHER	1-H11	2-118	5
SUB-PIPE D, BRAKE	1-F1	2-34	17	TUBE A, AIR IN.	1-F9	2-51	2
SUB-PIPE E, BRAKE	1-F1	2-35	20	TUBE A, BREATHER	1-F8	2-49	9
SUB-PIPE F, BRAKE	1-F1	2-34	14	TUBE A, RESERVE	1-G7	2-78	13
SUB-PIPE G, BRAKE	1-F1	2-34	15	TUBE B, AIR BREATHER	1-H11	2-118	6
SUB-PIPE H, BRAKE	1-F1	2-34	18	TUBE B, BREATHER	1-F8	2-49	6
SUB-PIPE I, BRAKE	1-F1	2-35	22	TUBE B, RESERVE	1-G7	2-78	14
SUB-WIRE, CANCEL	1-E9	2-18	1	TUBE C, AIR BREATHER	1-H11	2-118	7
SUPPORT, SENSOR	1-E9	2-18	3	TUBE C, BREATHER	1-F8	2-49	5
SUSPENSION, POWER RELAY	1-G6	2-76	8	TUBE, L. AIR IN.	1-C15	1-30	9
SUSPENSION, RELAY (MINI ISO)	1-G6	2-76	10		1-C15	1-30	13
SWINGARM ASSY., RR.	1-F15	2-62	7	TUBE, LEVEL	1-G7	2-78	9
SWINGARM, GEARSHIFT	1-D2	1-36	3	TUBE (PCS-CANISTER)	1-H11	2-118	4
SWITCH ASSY., CHANGE	1-C6	1-13	12	TUBE, R. AIR IN.	1-C15	1-30	8
SWITCH ASSY., CLUTCH	1-E7	2-14	6		1-C15	1-30	12
SWITCH ASSY., CLUTCH CRUISE (TOYO)	1-E7	2-14	7	TUBE, VINYL (11X15X420) (95003-37001-60M)	1-F9	2-50	23
SWITCH ASSY., COMBINATION & LOCK	1-E8	2-16	4				
SWITCH ASSY., FR. STOP & CRUISE	1-E6	2-12	1				
SWITCH ASSY., GRIP CANCEL	1-H10	2-117	3	(V)			
SWITCH ASSY., HEIGHT CONTROL	1-F5	2-42	2	VALVE ASSY., CLUTCH REGULATOR	1-C10	1-21	9
SWITCH ASSY., METER	1-E2	2-4	1	VALVE ASSY., DELAY	1-E5	2-11	21
SWITCH ASSY., NEUTRAL (TOYO)	1-C15	1-30	16	VALVE ASSY., EX. AIR INJECTION	1-F9	2-51	4
SWITCH ASSY., OIL PRESSURE (DENSO)	1-C15	1-30	15	VALVE ASSY., PROPORTIONING CONTROL	1-F1	2-35	27
SWITCH ASSY., STARTER MAGNETIC (A)	1-G3	2-71	10		1-F1	2-35	28
SWITCH ASSY., STARTER MAGNETIC (B)	1-G3	2-71	8	VALVE ASSY., PURGE CONTROL SOLENOID	1-H11	2-118	10
SWITCH ASSY., STARTER STOP	1-E3	2-7	2	VALVE ASSY., RELIEF	1-C14	1-28	9
SWITCH ASSY., TURN SIGNAL & AUDIO	1-E3	2-7	14	VALVE, EX.	1-C3	1-6	5
SWITCH SET, RR. STOP & CRUISE	1-E16	2-32	1	VALVE, IN.	1-C3	1-6	4
SWITCH SET, SIDE STAND	1-F14	2-60	1	VALVE, OIL LOCK	1-E11	2-22	9
				VALVE, PURGE CONTROL SOLENOID	1-H11	2-118	11
(T)				VALVE, REED	1-C15	1-30	6
TACHOMETER	1-E2	2-5	14	VALVE, RIM (BS)	1-F3	2-38	7
TAILPIECE, L.	1-F11	2-54	17	VALVE, RIM (DUNLOP)	1-E15	2-30	5
TAILPIECE, R.	1-F11	2-54	9		1-F3	2-38	7
TANK ASSY., RESERVE	1-G7	2-78	15	VALVE, RIM (INOUE)	1-F3	2-38	7
TANK, FUEL	1-F7	2-47	2	VALVE SET, ROTARY AIR CONTROL	1-D4	1-40	2
TAPE (25X25)	1-H4	2-105	15	VISOR A, METER PANEL *NH105* (MAT BLACK)	1-G11	2-87	27
TAPE A, L. SLIDE	1-G11	2-87	15	VISOR ASSY., FRESH AIR	1-G11	2-87	23
				VISOR B, METER PANEL	1-G11	2-87	29
				VISOR C, L. METER PANEL *NH105* (MAT BLACK)	1-G11	2-87	30

DESCRIPTION INDEX

Description	Grid	Page	Ref	Description	Grid	Page	Ref
VISOR C, R. METER PANEL *NH105 * (MAT BLACK)		2-87		WASHER, SEALING (12MM)	1-D4	1-41	15
				WASHER, SEALING (6.5MM)	1-D3	1-39	22
(W)				WASHER, SEALING (6MM)	1-C5	1-11	21
WASHER	1-G12	2-88	52		1-D4	1-41	16
WASHER (10.1MM)	1-G12	2-88	51	WASHER, SEALING (8MM)	1-C15	1-31	26
WASHER (10.5X27)	1-C5	1-11	20	WASHER, SHIFT DRUM STOPPER	1-C5	1-11	22
WASHER (12.2X23X1.6)	1-C12	1-24	21	WASHER, SPECIAL (11X21X2.3)	1-C15	1-31	25
WASHER (12.2X39X4)	1-C13	1-26	11	WASHER, SPECIAL (12MM)	1-C2	1-5	21
WASHER (14.2X28X2)	1-D2	1-37	22	WASHER, SPECIAL (8MM)	1-E11	2-23	37
WASHER (22.1X36X2.6)	1-D1	1-35	28	WASHER, SPLINE (25MM)	1-C8	1-17	22
WASHER (22.2X35.2.6)	1-C13	1-27	12	WASHER, SPLINE (28MM)	1-C13	1-26	13
WASHER (22X33)	1-C8	1-17	23		1-D1	1-35	25
WASHER (24X8.5)	1-F12	2-57	7	WASHER, SPLINE (30MM)	1-D1	1-35	24
WASHER (6.5X18)	1-F11	2-55	43	WASHER, SPLINE (30X36X1.5)	1-D1	1-35	20
WASHER (6MM)	1-C9	1-19	11	WASHER, SPLINE (32X17X1.667)	1-D1	1-35	21
	1-C12	1-24	20	WASHER, SPRING (40MM)	1-C8	1-17	24
WASHER (6X20)	1-G6	2-77	21	WASHER, SPRING (5MM)	1-C9	1-19	17
	1-G12	2-88	55	WASHER, SPRING (6MM)	1-F11	2-55	47
	1-H6	2-109	49		1-G4	2-72	23
WASHER B, THRUST (22MM)	1-D1	1-35	22	WASHER, SPRING STOPPER	1-C13	1-27	8
WASHER B, THRUST (30X1.7)	1-C12	1-24	19	WASHER, TANK SETTING	1-F8	2-48	19
WASHER, BUMPER BOLT	1-G12	2-88	48		1-H2	2-101	58
WASHER C, THRUST (25MM)	1-D1	1-35	23	WASHER, THRUST (11MM)	1-C14	1-28	14
WASHER, CHAIN CASE SETTING	1-G7	2-79	32	WASHER, THRUST (25MM)	1-C13	1-26	12
WASHER, DRAIN PLUG (14MM)	1-C7	1-14	19	WASHER, THRUST (28MM)	1-D1	1-35	29
	1-F4	2-41	33	WASHER, THRUST (5MM)	1-G12	2-88	53
WASHER, DRUM STOPPER	1-D2	1-37	21	WASHER, THRUST (8.6X13X0.6)	1-G12	2-88	56
WASHER, FENDER SETTING	1-H6	2-109	48	WASHER, WAVE (10MM)	1-G12	2-88	50
WASHER, FR. SIDE COVER	1-G3	2-71	17	WATER PUMP	1-C6	1-12	1
WASHER, HINGE SETTING	1-H5	2-107	27	WEIGHT, BALANCE (10)	1-E15	2-30	4
	1-H5	2-107	28		1-F3	2-38	5
WASHER, INSULATOR	1-C9	1-19	7	WEIGHT, BALANCE (20)	1-E15	2-30	4
	1-C9	1-19	10		1-F3	2-38	5
WASHER, LOCK	1-E9	2-18	15	WEIGHT, BALANCE (30)	1-E15	2-30	4
WASHER, LOCK (28MM)	1-D1	1-35	27		1-F3	2-38	5
WASHER, LOCK (30MM)	1-D1	1-35	26	WEIGHT, HANDLEBAR	1-E4	2-8	31
WASHER, LOCK (8MM)	1-D2	1-37	20	WEIGHT, HANDLEBAR (B)	1-E8	2-17	11
WASHER, NEUTRAL	1-C15	1-31	27	WHEEL SUB-ASSY., FR.	1-E15	2-30	12
WASHER, NYLON (8MM)	1-G12	2-88	54	WHEEL SUB-ASSY., RR.	1-F3	2-38	4
WASHER, OIL BOLT	1-E5	2-11	28	WINDSCREEN	1-G11	2-86	3
	1-E6	2-12	17	WIRE ASSY.	1-E2	2-5	8
	1-E7	2-15	21	WIRE HARNESS	1-G5	2-74	5
	1-E16	2-33	23	WRENCH (10X12) (OPEN END)	1-G10	2-84	11
	1-F1	2-35	34	WRENCH, BOX (8MM)	1-G10	2-84	6
WASHER, PIVOT	1-E2	2-5	1	WRENCH, EYE (10X12)	1-G10	2-84	13
WASHER, PLAIN (12MM)	1-F15	2-62	13	WRENCH, EYE (14X17)	1-G10	2-84	15
WASHER, PLAIN (3MM)	1-G15	2-95	31	WRENCH, HEX. (5MM)	1-G10	2-84	8
WASHER, PLAIN (5MM)	1-E10	2-21	20	WRENCH, HEX. (6MM)	1-G10	2-84	9
	1-F7	2-46	10	WRENCH, PLUG (16)	1-G10	2-84	7
WASHER, PLAIN (6MM)	1-F11	2-55	45				
	1-G12	2-89	65				
WASHER, PLAIN (8MM)	1-F11	2-55	46				
	1-F13	2-59	27				
WASHER, RUBBER	1-E10	2-21	7				