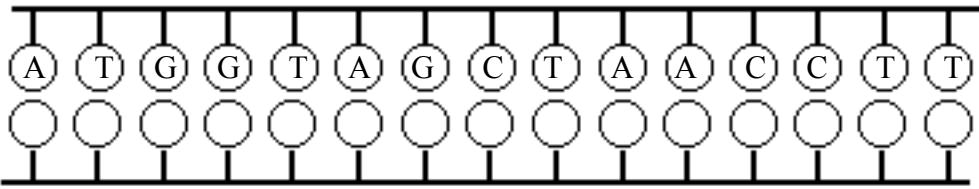
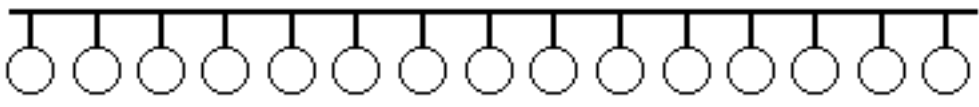



Protein Synthesis Worksheet


Directions:

- 1st Fill in the complimentary DNA strand using DNA base pairing rules.
- 2nd Fill in the correct mRNA bases by transcribing the bottom DNA code.
- 3rd Translate the mRNA codons and find the correct amino acid using the Codon Table
- 4th Write in the amino acid and the correct anti-codon the tRNA molecule.
- 5th The answer to the questions about protein synthesis below the amino acids.

1.  **DNA**

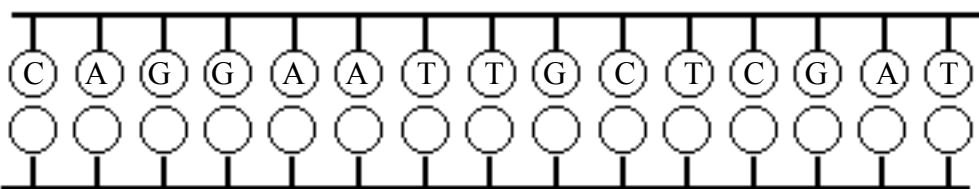
2.  **mRNA**

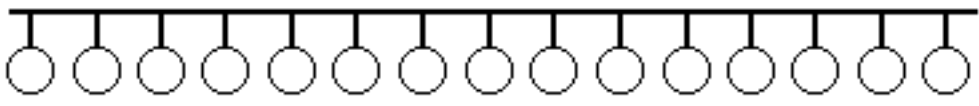
3.  **tRNA**


4.  **Amino Acids**


5. mRNA is synthesized in translation or transcription?

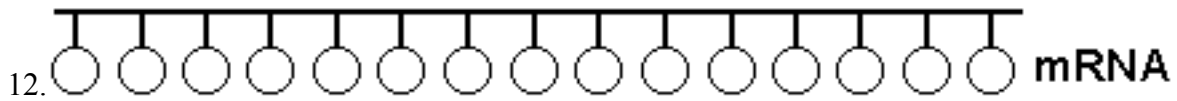
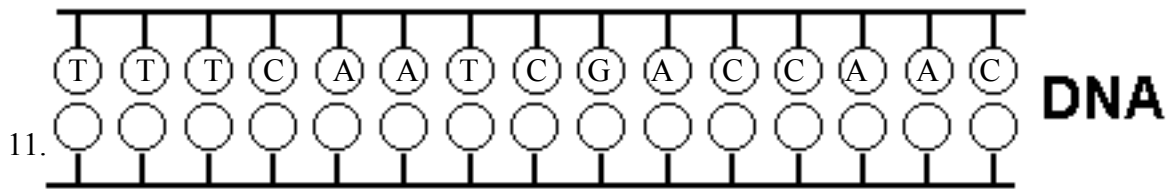
6. mRNA has codons or anti-codons?

7.  **DNA**

8.  **mRNA**

9.  **tRNA**

10.  **Amino Acids**



15. 1 or 3 codons equal one amino acid?

16. tRNA brings amino acids to the nucleus or ribosome?

17. A polypeptide is a sequence of proteins or amino acids?

18. tRNA has codons or anti-codons?

19. tRNA transfers amino acids during translation or transcription?

20. Ribosomes are the site where translation or transcription takes place?

