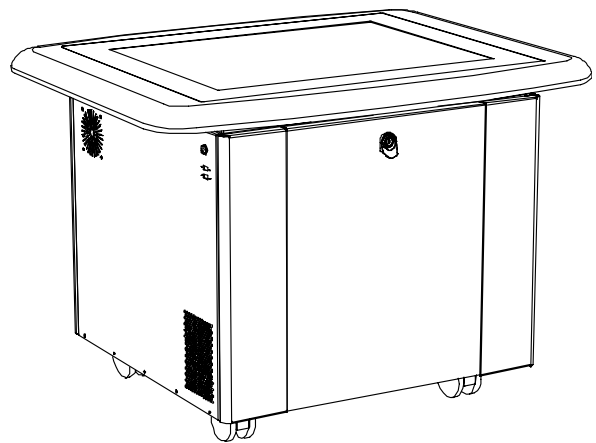


SMART™



Service Parts Diagrams

For Model:

ST230i

**For serial number format
beginning with "ST230I"
only**

Service Parts Diagrams Revision History

Revision 1 - March, 2010

- New document

Standard Warranty Terms

Base product: Two-year limited equipment warranty

First Customer Ship: November, 2009

SMART Technologies

3636 Research Road NW

Calgary, AB T2L 1Y1

CANADA

Support +1.403.228.5940 or Toll Free 1.866.518.6791 (Canada/U.S.)

Support Fax +1.403.806.1256

ServiceParts@smarttech.com www.smarttech.com

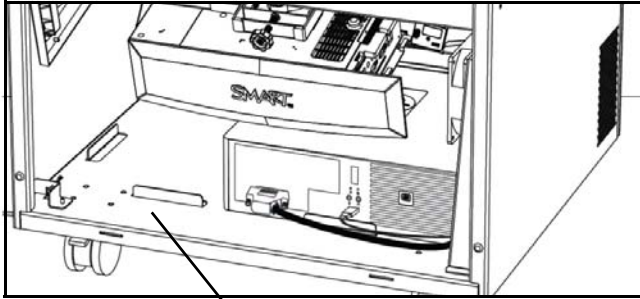
The SMART logo consists of the word "SMART" in a bold, black, sans-serif font. The letters are slightly slanted to the right. A small "TM" trademark symbol is located at the bottom right of the letter "T".

Service Parts Diagrams for the SMART Table ST230i

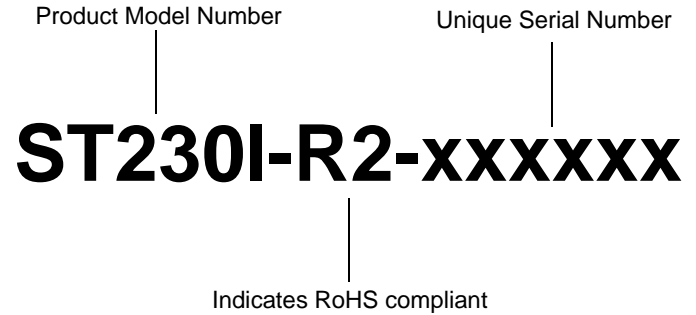
- Identifying Your Product Using the Serial Number 1
- Ordering Parts 1
- Overview 2
- View With Doors 3
- View Without Doors 4
- Assembly, UPS, 110V (Part No. 20-01176-20) 5
- Assembly, UPS, 220V (Part No. 20-01177-20) 6
- Running Diagram ST230i 7

Identifying Your Product Using the Serial Number

To make sure that you have the correct service parts diagrams, you must verify the serial number of your SMART Table. You will need to remove the door opposite the power button and the serial number will be located inside the table. An example of the serial number format is shown below.



Serial Number Location



Ordering Parts

Customers

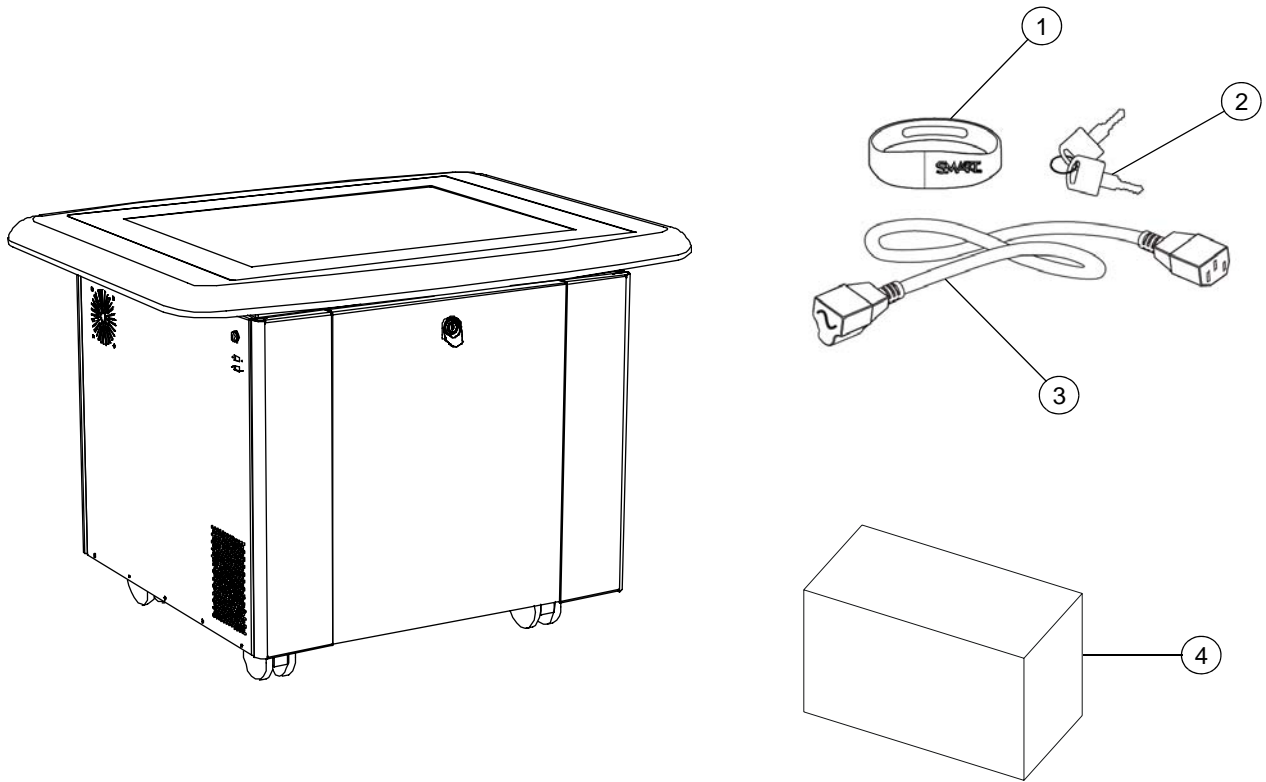
To order any of the parts in these service parts diagrams, contact your local reseller. To find a reseller near you, visit www.smarttech.com/where.

Dealers and Distributors

For specific technical and pricing enquiries in regards to these diagrams please contact our service parts department. Pricing is also available on-line via the SOURCE website (source.smarttech.com).

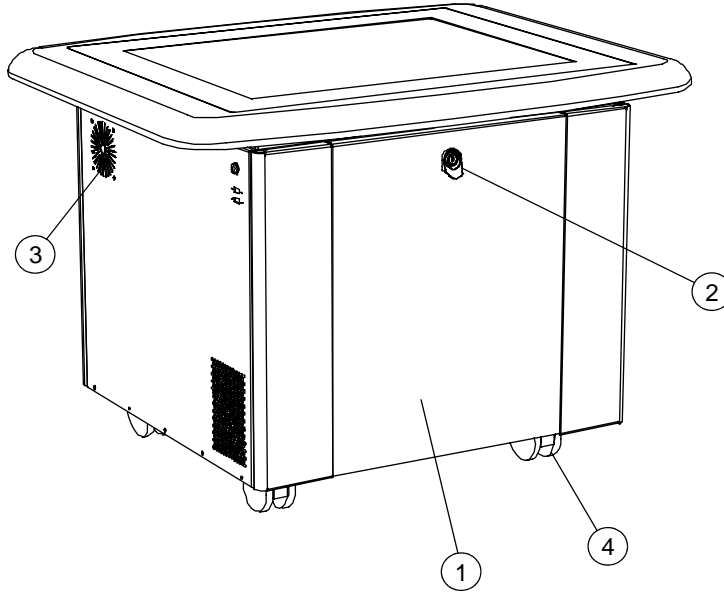
E-mail: serviceparts@smarttech.com
Phone: 1.888.42.SMART
International: +1.403.245.0333

Overview



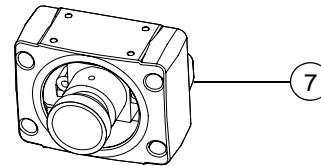
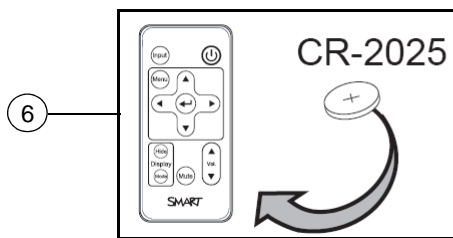
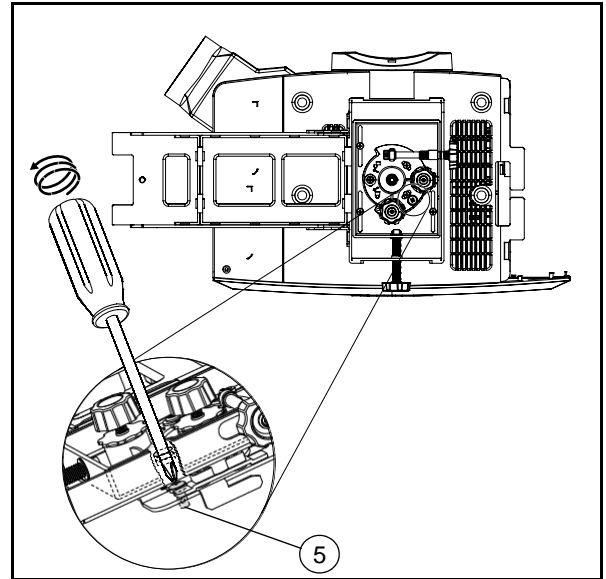
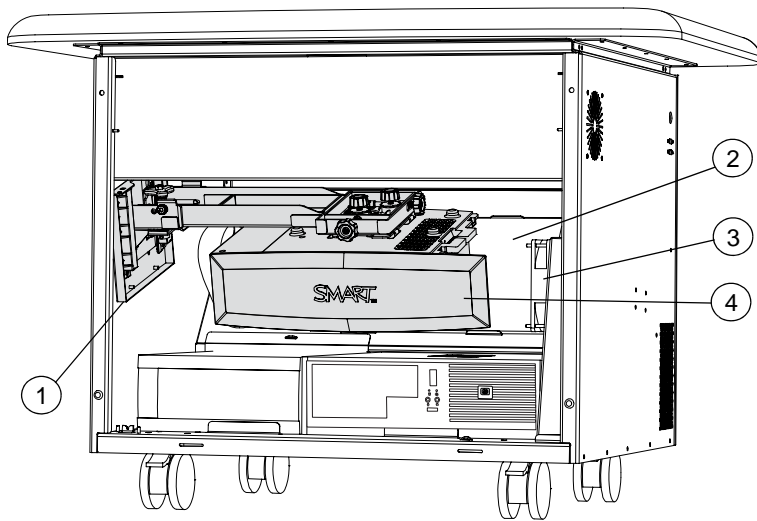
Item	Part No.	Qty	Description
1	03-00171-20	1	USB bracelet, 2GB, ST230i
2	30-01268-20	1	Keys, set of two, includes lock
3	93-051	1	Cable, power, North America, 8' (2.4 m)
3	93-055	1	Cable, power, United Kingdom, 8' (2.4 m)
3	93-056	1	Cable, power, Autstralia, 8' (2.4 m)
3	93-063	1	Cable, power, South Africa, 8' (2.4 m)
3	93-054	1	Cable, power, Europe, 8' (2.4 m)
4	20-01176-20	1	Assembly, UPS, 110V
4	20-01177-20	1	Assembly, UPS, 220V

View With Doors



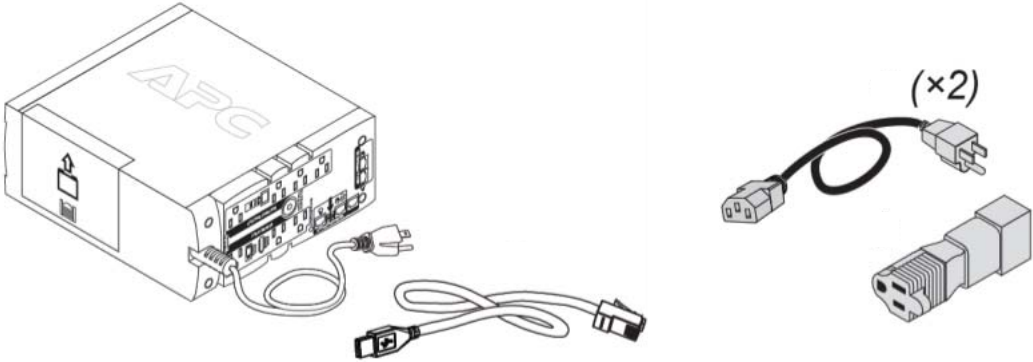
Item	Part No.	Qty	Description
1	51-00783-20	2	Door
2	30-01268-20	2	Lock, includes set of two keys
	30-01277-20	2	Lock, latch
	30-01278-20	2	Lock, pull tab
3	03-00160-20	1	Speakers, set of two
4	10-00025-20	4	Castor
Not shown	20-01032-20	1	Replacement Lamp for UF55, UF55w and ST230i Projectors

View Without Doors



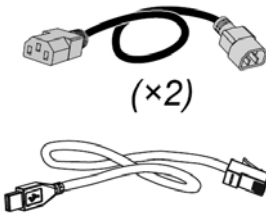
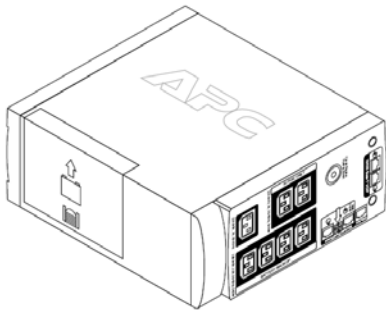
Item	Part No.	Qty	Description
1	20-01186-20	1	Assembly, projector mount
2	53-00062-20 21-00097-20	1 2	Mirror Tape, double sided NOTE: Required to attach mirror to internal plate.
3	03-01274-20	1	Fan, 120 mm
4	20-01108-20	1	Assembly, SBP-15X Projector for ST230i
5	30-01290-20	1	Screw, M5 x 10 mm, pelatized, Phillips, pan head NOTE: For attaching the projector to the projector mount.
6	03-00131-20	1	Remote control NOTE: Battery not included with replacement remotes.
7	20-01113-21 30-01282-20	1 4	Assembly, camera, USB Screw, M2 x 5 mm, Phillips, pan head, for plastics NOTE: For attaching camera to internal bracket.

Assembly, UPS, 110V (Part No. 20-01176-20)



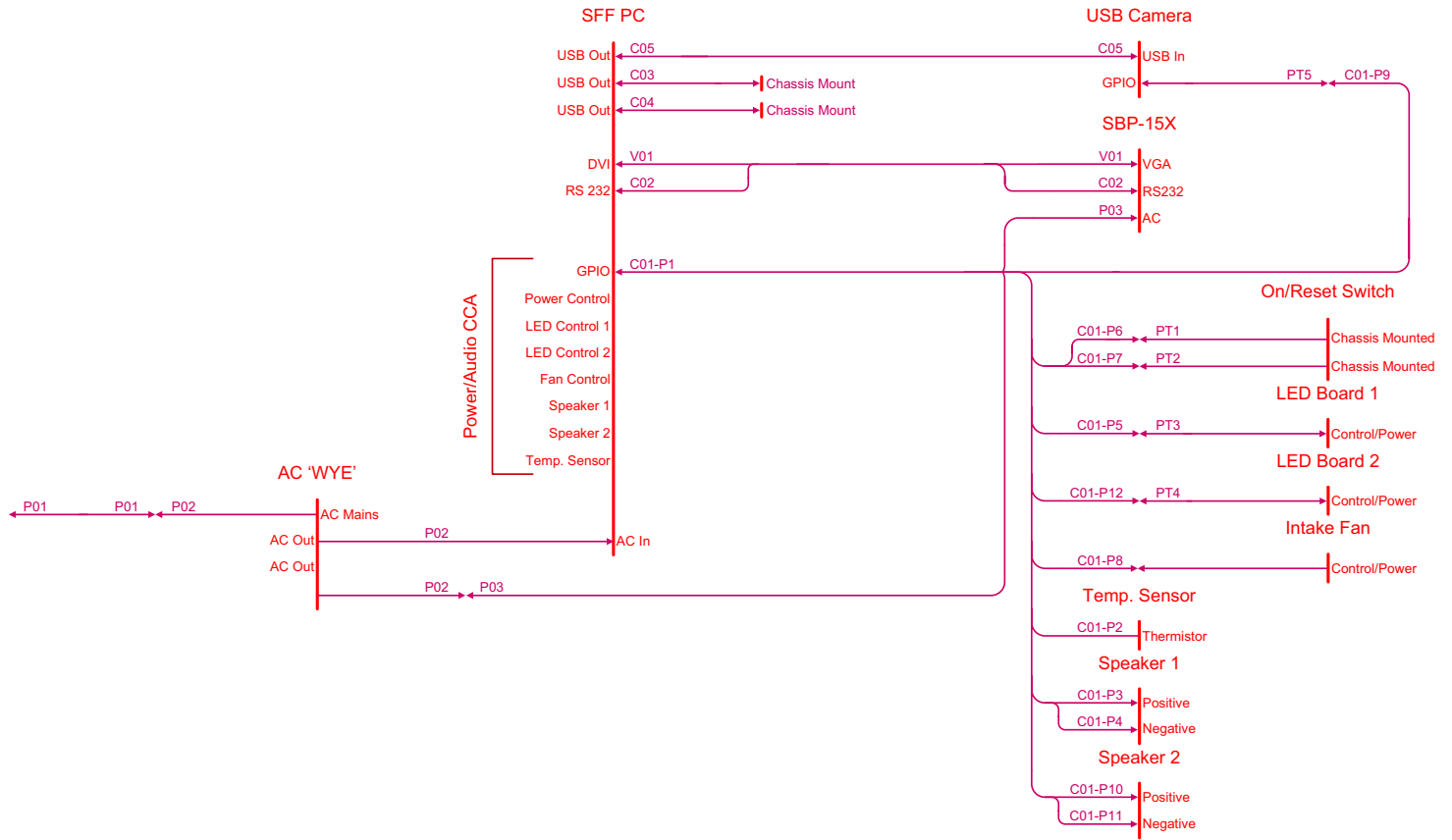
NOTE: Components not available separately.

Assembly, UPS, 220V (Part No. 20-01177-20)



NOTE: Components not available separately.

Running Diagram ST230i



Cable	From	To	Description	Length	SMART Part No.
Video					
V01	Computer	Projector	DVI Male to VGA Male	3' (91.5 cm)	93-00723-20
Control					
C01	Computer	Multiple	Master Control Cable with Audio	6'7" (2 m)	93-00724-20
C02	Computer	Projector	DB9 Female to DB9 Male	3' (91.5 cm)	93-00721-20
C03	Computer	Chassis Mount	USB A Male to USB A Female Chassis Mount	3' (91.5 cm)	93-00725-20
C04	Computer	Chassis Mount	USB A Male to USB A Female Chassis Mount	3' (91.5 cm)	93-00725-20
C05	Computer	Camera	USB A Male to USB Mini B Male	3' (91.5 cm)	93-00726-20
Power					
P01	Country Specific Power Cable	P02	Left Angled IEC C14 to IEC C13	3' (91.5 cm)	93-00734-20
P02	P01	P03/Computer	IEC C14 to 2 x IEC C13 'Wye' Cable	2' (61 cm)	93-00735-20
P03	P02	Projector	IEC C13 to IEC C14	3'3" (1 m)	93-00736-20
Chassis Cable and Pigtails					
PT1	C01-P6	On/Reset Switch	Power Switch Pigtail with Switch	3" (7.5 cm)	93-00716-20
PT2	C01-P7	On/Reset Switch	Power Switch Pigtail with Switch	3" (7.5 cm)	93-00716-20
PT3	C01-P5	LED Board 1	LED Pigtail	4" (10 cm)	93-00714-20
PT4	C01-P12	LED Board 2	LED Pigtail	4" (10 cm)	93-00714-20
PT5	C01-P9	Camera	Camera Pigtail	2" (5 cm)	93-00715-20