

JUNE
2012
Catalog

Shelves That Slide
4125 W Fortune Dr.
Phoenix, AZ 85086

Pull out shelves and kitchen cabinet accessories
1-800-598-7390



Product Catalog

Installation and measuring guide included



Kitchen accessories

- Custom made pull out shelves
- Pull out trash & recycle systems
- Lazy Susans
- Tip out trays
- TV shelves

Policies

Ordering

The fastest way to order is online through our website. Just go to www.ShelvesThatSlide.com and click on online store. Our secure server will safely transmit your payment and order information. You may also call us toll free 1-800-598-7390 or you can fax us your order at 623-780-9815. You may also mail your order to us along with your payment.

Payment

We accept Visa, MasterCard, money order or a personal check. Please note that personal checks will delay your order until the check clears.

Shipping

Our pull out shelves are all custom made and usually ship in two to three weeks from the date the order is received. Our standard and economy shelves ship within one week and most other products ship in two to three days unless otherwise noted. Available shipping methods are UPS ground or 2nd day air. You can place your order online at www.shelvesthatslide.com or call us at 1-800-598-7390. The online store will calculate the shipping based on your order and your zip code

Return Policy

At Shelves That Slide we pride ourselves on the quality of our products and our service. If you are unhappy with any product you may return it to us for a refund. Returns are subject to a 15% restocking fee shipping charges are not refundable. The only exception to this policy is custom made items such as pull out shelves. As the shelves are custom made we can not offer refunds on more than one shelf. We want you to feel comfortable trying one shelf to see the quality that we provide. We feel confident that you will be happy with our shelves. We will gladly resize or remake shelves if you measure incorrectly. Simply contact us for a return authorization number and ship the items back to us with the correct size. We will remake the shelves and return them to you at no extra charge. **All returns must have a return authorization number.** If the error is our fault we will replace the item and include a prepaid return label.

Warranty

We warranty our quality birch shelves for as long as you own your home. Our economy and standard shelves are warranted for one year from the date of purchase. Other items we sell are warranted by the manufacturer, most have a lifetime warranty. Warranty's are void if product is not installed properly.

Shelf construction

Premium shelves

We use 9 ply Baltic Birch for the front, back and sides of our premium quality pull out shelves. The bottom is 1/4" MDF with a vinyl covering. The bottom is cut into a dado in the birch front, back and sides. The corners utilize rabbet joints to provide extra strength. Our shelves have a lacquer finish and are installed on 100 pound capacity Blum 3/4 extension slides. Full extension slides are available but not always recommended. We find the 3/4 extension slides work great for most lower kitchen cabinet storage, they are easier to install and there are more mounting options available.

Economy shelves

Our economy shelves are made of 5/8" thick melamine with your choice of maple or oak hardwood fronts. They have a 2" tall rear plywood strip. The maximum width for the economy shelves is 24". The exception is when they will be used for a keyboard tray

New Line shelves

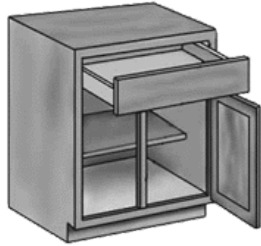
We use 9 ply Baltic Birch for the front, back and sides of our new line pull out shelves. The bottom is 1/4" Birch plywood. There are no rabbet joints, dados or lacquer used in our standard shelves. We use the same Blum 3/4 extension hardware as our Premium shelves. The maximum width for our standard shelves is 24"

Full Extension slides

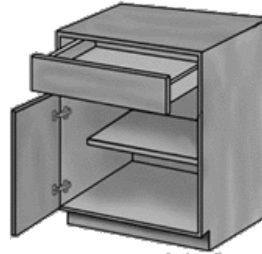
The standard slides included are 3/4 extension. We find these work best for most kitchen cabinets. Full extension slides are available. There is an up charge for full extension slides, they are more difficult to install and they reduce the available mounting styles. The full extension slides wrap around the bottom of the shelves just like our 3/4 extension slides to give support where needed. We do not use ball bearing slides as they tend to gum up over the years and then can loose the ball bearings.

Measuring for pull out shelves

Cabinet Style



Framed



Frameless

There are two basic styles of cabinets. Traditional framed cabinets and Euro style frameless cabinets. Framed cabinets have a hardwood front frame that covers the front of the cabinet's sides and top and bottom. The doors and drawers close on this face frame and usually you see the frame between the cabinet doors and drawers. Frameless cabinets have no front frame. The front edge of the cabinet is the side and top and bottom. The main difference when installing shelves is the L brackets sit behind the face frame on framed cabinets where there can not on frameless cabinets. If you have a frameless cabinet with one door you will either need to remove the L brackets and mount the slide directly to the sidewall or deduct 1/4" from the opening dimension to allow for the L brackets. There are special spacers made for frameless cabinets for side mounting the shelves.

Slide type

There are two types of slides available, the standard 3/4 extension and full extension. The 3/4 extension extend approximately 3/4 of the length of the slide. The full extension slides extend the length of the slide plus 1"

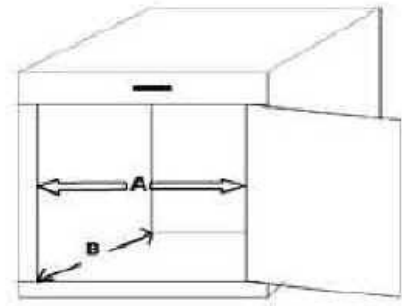
Measuring

Width

There are two dimensions needed when ordering pull out shelves, the cabinet opening (A) and the cabinet depth (B). Dimension A is the clear cabinet opening width. We make the widths in 1/16" increments so careful measuring is a must. The clear cabinet opening is the cabinet opening minus anything that sticks out into the opening such as a hinge or the door itself. The upper shelf is often wider than the lower one as it does not need to clear the hinge.

Depth

The depth should be measured from the back of the cabinet face frame to the back wall. Make sure to look for anything in the back of the cabinet that will reduce the depth such as water or gas lines etc. The cabinet depths are made in 2" increments to match the length of the slide hardware. The slide hardware is available from 11 3/4" to 21 3/4". We can make shelves up to 25 3/4" deep, there is an extra charge and the shelf will come on 21 3/4" deep hardware. Most kitchen cabinets take the 21 3/4" depth shelves, bathrooms are usually 19 3/4".



Mounting style

There are four methods of mounting. The easiest and most common method is the base mount. The base mount is for mounting to an existing shelf or the cabinet base, the slides will come with L brackets. If you have an upper shelf that is only 8" to 12" deep you can use the half shelf mount. The half shelf mount comes with L bracket on the rear of the shelf and the front of the slides are attached to the cabinet face frame or the sides. If you do not have an existing shelf to mount to you will need to use either the rear mount or side mount methods.

Full shelf mount

This method works for both full extension and 3/4 extension slides. For frameless cabinets with one door it will be necessary to either remove the L brackets on side of the cabinet without the hinges and attach the slides directly to the cabinet sidewall or you need to deduct 1/4" from the clear opening width to allow for the brackets.



Half shelf mount

If you have a shallow shelf in the back of your cabinet then the half shelf mount should be your choice. The half shelf mount works best with 3/4 extension slides. Full extension slides can be used but the front of the slides will need to be side mounted which can not always be done. Make sure to measure the opening width at the height of the half shelf and not at the bottom where the hinge is. Frameless cabinets with one door will need the L bracket removed and the slide mounted directly to the sidewall on the side without the hinge.



Rear mount

If you have no existing shelf one option for adding a sliding shelf is the rear mount sockets. This mount uses sockets that attach to the back of the slides and screw into the cabinet's back wall. The back wall must be thick enough to support the slides. The rear mount sockets will not work with full extension slides. For shelves 23 3/4" and 25 3/4" deep shelves you will need deeper slides which will be an extra charge.

Side mount

The other mounting option for cabinets with no shelf to mount to is side mounting. Side mounting attaches the slides to the cabinet sidewalls using spacers or wood buildup. If you are installing multiple shelves such as in a pantry the wood build up may be your best choice. We have standard spacers available in 1/8", 3/8" and 1/2" widths. There are special spacers made for Euro style cabinets with adjustable shelf holes that are spaced 32mm apart (about 1 1/4"). The Euro spacers are available in 1/2" to 1 1/2" widths in 1/4" increments.

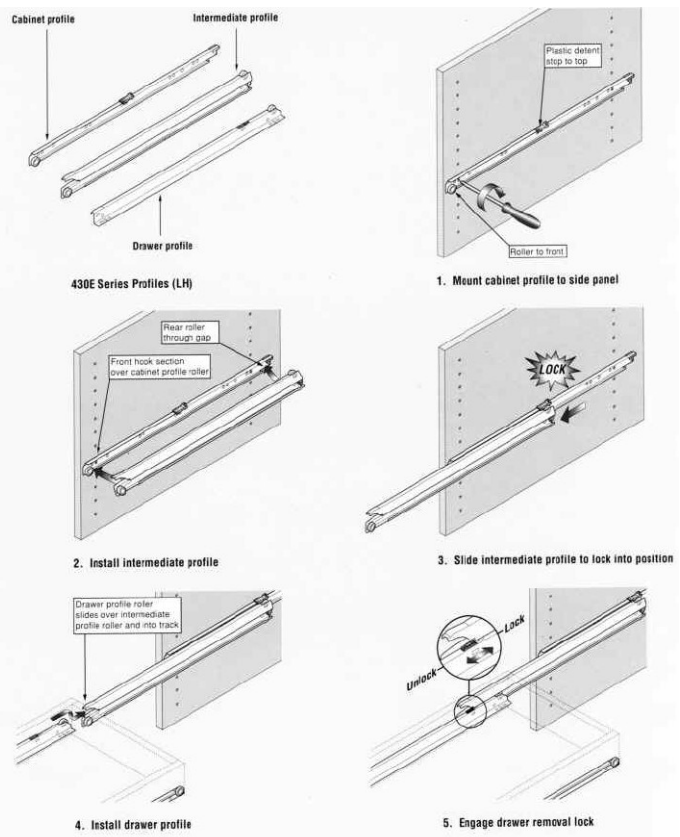
Take a look at the installation instructions for more information

Slide basics

The back of the shelf is the end with the wheels. The front of the cabinet part of the slides has the wheel. On 3/4 extension slides there are two parts for each side. The shelf member comes attached to the shelf and the cabinet members will be wrapped together. The right side of the slides are the control side. Both parts of the right side slides have the metal bent so that the wheel is captive when it is sliding. The left side slide members are flat and allow the slides some tolerance. When you are installing the shelves you should look at the left side slide when checking adjustment. Any problems with slide alignment will show on the left side.

Full extension

Full extension slides have three parts for each side. A cabinet profile, a drawer profile and the intermediate profile. The cabinet and drawer profiles have plastic locking tabs. Tip the intermediate profile on to the cabinet member as in figure 2. Extend the intermediate profile to install the drawer. Remember full extension slides will not work with rear mount, they are not recommended for half shelf mounts and they are more difficult to assemble and install.



Full extension slides

Installation Guide

Full shelf installation

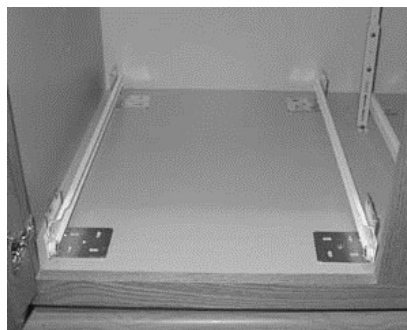
Secure the shelf

The first thing you need to consider is the existing shelf permanent or is it adjustable. If it is a permanent shelf you can go straight to installing the slides. If it is adjustable you need to look at two things. The first is what are the clips or pins that are holding the shelf up made of? If they are plastic you need to replace them with metal clips or pins. The front mounting of the shelf will be subjected to twice the weight it is now exposed to when to extend a loaded shelf. The second consideration goes right along with the first in that when the loaded shelf is extended it will want to lift up in the back. This is easily remedied by place a couple of screws in either the back or the side walls (which ever is thicker, but don't go through to an exposed wall) just above the existing shelf and leave the head sticking out far enough to hold the screw down.

Installing the slides

For a full shelf installation you should have two "L" shaped brackets on each cabinet slide. The wheeled end of the cabinet part of the slide is the front. Set the slides onto the existing shelf or cabinet base at the approximate width of the sliding shelf. A customer suggested using a piece of masking tape rolled over or a piece of 2 sided tape and attach it to the bottom of the brackets. Engage the shelf slides into the cabinet slides by setting the wheeled end of the shelf slide over the wheeled end of the cabinet slide. The most important side to get in place is the right side. You can always slip the left side into place after getting the right side in properly. Insert the shelf fully into the cabinet and align the front of the shelf for square ness and proper set back. The proper set back depends on your cabinet depth but it is usually about 1/2" to 3/4" back from the inside edge of the cabinet face frame. Get your screwdriver ready!

When you have the shelf adjusted press down slightly and slide the shelf forward just far enough to expose the rear brackets. Insert a screw in one of the slots in the right rear bracket. Use the hole that goes side to side so you can adjust it latter, tighten moderately. Now slide the shelf back into place and check the alignment. When it is adjusted properly slide the shelf out again to expose the rear bracket and place a screw in the opposite side slotted hole in a slot that goes from left to right and tighten moderately. Again slide the shelf in and check alignment. If all is well you can carefully slide of the shelf without disturbing the position of the front brackets. This may take a couple of tries. Install screws in the front brackets the same as you did for the rear brackets. Insert the shelf again and check alignment. Remember to pay careful attention to the left side slide if the gap is too large in the rear the shelf will roll great but as soon as you add weight you will get a bump when you slide it out. After you get everything aligned you can remove the shelf and install a screw in the center hole of the bracket to lock it in place, two screws per bracket is all that is needed. Congratulations your shelf is done!!! Well almost, see plastic thing.

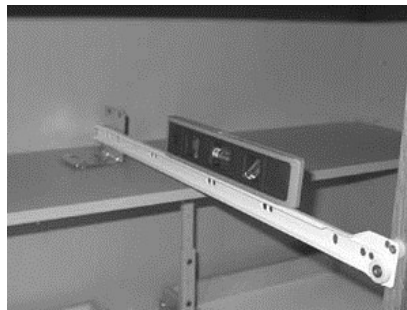


Half shelf

Half Shelf installations will not work with full extension slides. The second method of installing sliding shelves is the half shelf method. You will need a small level, preferably one with a magnetic strip on one side. Check the existing shelf to make sure it is secure and can not lift up. The slides for your half shelf installation will have one metal "L" shaped bracket mounted toward the rear. The end with the wheels is the front! If you have brackets in the rear and front, the front ones will not be needed and should be removed. Set the rear bracket on the existing shelf and place the front edge of the slide against the cabinet face frame, back about 3/16" from the front. Place your level on the slide and level it. When you have the slide level mark the location of the front hole in the slide. You can then measure the height and make a corresponding mark



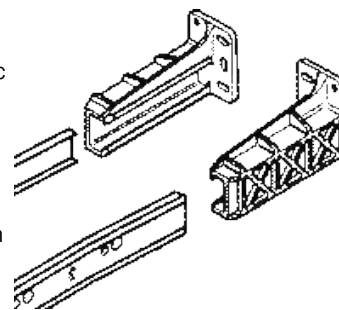
on the other side face frame. It is best to drill a small pilot hole to prevent splitting. After you have the front of the slides attached you can set the shelf in place by lifting the wheels on the rear of the shelf slides over the wheels on the front of the cabinet slides. Insert the shelf all the way into the cabinet and align the shelf to be square with the cabinet front. If there is too much space between the cabinet face frames you will need to insert spacers or washers to build out. You can request spacers from us in 1/8", 3/8", and 1/2" sizes.



Check the alignment of the left side slide and when it is properly aligned press down slightly on the shelf and extend it far enough to see the rear bracket. Place a screw in one of the slotted holes and tighten moderately. Reinsert the shelf and check slide alignment. When alignment is correct repeat the process of extending the shelf and insert a screw in the left bracket. Again insert the shelf and adjust as needed. When everything is aligned extend the shelf again and place a screw in the each center hole of the bracket to lock it in place. Congratulations your shelf is done!!! Well almost, see plastic thing.

Rear mount

The first step is to determine the height that you want the shelf. Make a mark on both cabinet face frames for the bottom of the shelf. Insert the cabinet slides partially into the plastic sockets (you must have specified a rear socket installation when ordering) note the brackets are different for left and right sides. Attach the front end of the slides (the end with the wheels) to the cabinet face frame where you marked. You will need to push the slide slightly against the back wall of the cabinet to get the socket seated to the needed depth. Install the shelf by lifting the rear end of the shelf slides (the end with the wheels) over the wheels on the front of the cabinet slides. Slide the shelf in completely and align it to be square with the front of the cabinet. Now comes the fun part. Make a line on the back wall to mark the position of each slide for the horizontal placement. You can now remove the shelf and place a level on the cabinet slide. Align the slide with the previous line that you made and level the height. Now you can either install one screw in the socket or mark another line for the vertical position. Repeat this process for the other side and after you have one screw in each socket reinstall the shelf and check for proper operation. Once you have the shelf adjusted, install at least one more screw in each socket. If you are having trouble getting the shelf to slide smoothly make sure the slides are parallel to each other and not twisted. Congratulations your shelf is done!!! Well almost, see plastic thing. Rear mount sockets will not work with full extension slides. Also they will not work with shelves deeper than 21 3/4" unless longer slides are used.



Side mounting

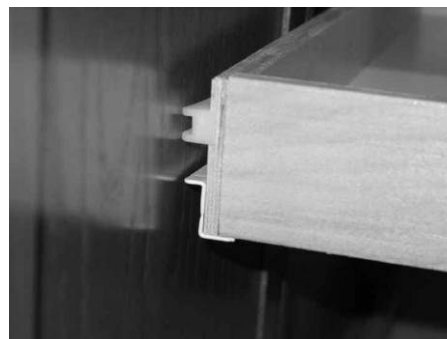
The last mounting method is side mount. We can provide spacers to install the cabinet slides to the cabinet side walls. The problem is the cabinet side walls are usually not more than 1/2" thick and there is about 1" of space or more that needs to be spaced out. Leverage will lead to this being a weak installation. However if you can install vertical strips of wood on both sides (two on each side, one near the front and the other near the back) that provide the proper filling to match the space behind the cabinet face frame, a side mount installation can be the strongest and most space efficient installation. It is best to use a piece of wood the same thickness as the space behind the face frame that runs from the bottom of the cabinet to above the height that you want the shelf installed. You can glue and screw this piece of wood in place to make a secure attachment. After the wood is installed you can measure up and make a mark where you want the slides installed. Simply screw the slides in where marked and you should be able to install the sliding shelf. Just lift the rear end of the shelf slides (the end with the wheel) over the wheels on the front end of the cabinet slides. Insert the shelf fully and check for alignment paying careful attention to the left side alignment, adjust as needed. Congratulations your shelf is done!!! Well almost, see plastic thing.

Plastic thing

Finally we come to that white plastic thing. That thing is a door protector. There is one door protector per shelf included for shelves up to 21" wide and two for larger drawers, more door protectors are needed for the economy shelves due to the extended front wood trim. The door protector is mounted to the side of the shelf. The purpose of the door protector is of course to protect the door. The plastic sticks out about 1/16" more than the drawer slide to keep you from scratching the door in case it is not opened fully before sliding out the shelf. Just screw the door protector to the side of the shelf (one screw). Watch for hinge clearance and if the door has a recessed panel make sure you mount the door protector as low as possible. The door protectors will not work on standard height shelves with full extension slides. Fortunately the front of the full extension slides is rounder than the 3/4 extension so the pullouts do not need them as badly. Congratulations, you have completed your installation. Please browse our catalog and when you are done please pass it on, your friends and family will thank you!

Disclaimer

This page is offered as a guide for installing a pull out shelf and it is not intended to offer every detail for every possible installation. It is expected that the home improvement do-it-yourselfer has sufficient knowledge as to judge the soundness of their installation of kitchen and bathroom shelves.



Pull out shelves

Please read our measuring and installation guides before ordering. Make sure to specify mounting style and slide type. Top quality pull out shelves with 100 pound capacity, lifetime warranty, manufacturer direct price custom made for your cabinet, door protectors included. The 3/4 extension slides come standard and work great for most kitchen storage. Hardware for requested mounting style included. Full extension slides are available for all custom shelf styles. Full ext. slides add \$17 to the shelf price and are more difficult to install than the 3/4 slides.

Premium Shelves



AS23SS Custom pull out shelf 2 3/8" tall \$46.95
 Our most popular shelf, works great for cans to pots and pans. The shallow sides allow you read labels yet tall enough to hold your items in place. For opening widths from 6" to 38" wide in 1/16" increments Add \$3 over 24" \$5 over 30" Standard depths 21 3/4", 19 3/4" 17 3/4", 15 3/4", 13 3/4", 11 3/4" 9 3/4" and 25 3/4" depths add \$10,23 3/4" add \$5



AM47SS Medium high pull out shelf 4 7/8" tall \$57.95
 When you need a little height our medium high does the trick. Great for boxed foods in pantries or if you want to keep your plastic ware more contained. For opening widths from 6" to 35" wide in 1/16" increments Add \$6 over 21" \$9 over 28" Standard depths 21 3/4", 19 3/4" 17 3/4", 15 3/4", 13 3/4", 11 3/4"9 3/4" depth add \$1025 3/4" depths add \$12.50, 23 3/4" add \$7.50



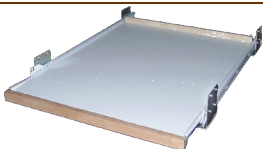
AT97SS Tall pull out shelf 9 7/8" tall \$69.95
 Great for soda bottles, paper towels or even do it yourself trash systems. Can be a bit tricky to install For opening widths from 6" to 35" wide in 1/16" increments Add \$5 over 21" \$8 over 28" Standard depths 21 3/4", 19 3/4" 17 3/4", 15 3/4", 13 3/4", 11 3/4"9 3/4" depth add \$10, 25 3/4" add \$17.50,23 3/4" add \$12.50



AS2373 Slant side pull out shelf 2 3/8" to 7 3/8" tall \$62.95
 Perfect for your pantry the short front gives you access while the tall backs keeps items in place For opening widths from 6" to 32" wide in 1/16" increments Add \$6 over 20"\$9 over 26" Standard depths 21 3/4", 19 3/4" 17 3/4", 15 3/4", 13 3/4", 11 3/4" 9 3/4" depth add \$10,25 3/4" add \$17.50,23 3/4" add \$12.50



ABD73SS 7 3/8" tall bread drawer \$72.95
 Sliding top keeps bread and pastries fresh for longer. The new bread box!
 Standard depths 21 3/4", 19 3/4" 17 3/4", 15 3/4", 13 3/4", 11 3/4"
 For opening widths from 6" to 24" wide in 1/16" increments
 9 3/4" depth add \$10,..... 25 3/4" add \$20,..... 23 3/4" add \$15



AS58EWH Economy pull out shelf \$35.95
 Less expensive shelf with no sides, great for computer and video storage, will not work well with half shelf mount. No door protectors needed For opening widths from 6" to 24" wide in 1/16" increments Standard depths 22 1/4", 20 1/4" 18 1/4", 16 1/4", 14 1/4", 12 1/4",10 1/4" and 26 1/4" depths add \$10,24 1/4" add \$5 75 pound capacity



ASNLS24 New Line pull out shelf \$30.95
 Less expensive than the premium shelves with the same great 9 ply Birch sides. 1/4" Birch bottom. No lacquer or joinery For opening widths from 6" to 24" wide in 1/16" increments. 12" to 18" add \$5, 18" to 24" add \$9 Standard depths 21 3/4", 19 3/4" 17 3/4", 15 3/4", 13 3/4", 11 3/4" 9 3/4" and 25 3/4" depths add \$10,23 3/4" add \$5 75 pound capacity



Rev-A-Shelf pull out shelves pre-made in two sizes

12" pull out shelf \$49.39
 measures 11" wide and 18 1/2" deep. Tray is 5 5/8" tall. Fits cabinets with a minimum opening of 12" and a depth of 19".

15" pull out shelf \$57.35
 measures 14" wide and 18 1/2" deep. Tray is 5 5/8" tall. Fits cabinets with a minimum opening of 15" and a depth of 19".

Wire pull out shelves



Single tier wire basket system. Full extension slides are rated for 100 pounds when fully extended. Chrome finished wire basket provides sturdy support for your cookware. Includes hardware to install in your cabinet.

| | | | | |
|--------|---------------------|---------|---------------------|---------|
| RV5WB1 | 9" wide x 18" deep | \$36.85 | 12" wide x 18" deep | \$40.99 |
| | 12" wide x 22" deep | \$50.03 | 15" wide x 22" deep | \$55.14 |
| | 18" wide x 22" deep | \$59.29 | 21" wide x 22" deep | \$62.98 |

Shelves are 7" tall and bottom mounting. Listed width represents the cabinet opening not actual shelf size. Minimum opening is 1/2" smaller than the listed width.

These **two tier** wire basket pull out shelves take care of your base cabinet storage needs. Heavy duty chrome wire baskets support your heaviest pots and pans. Full extension ball bearing slides rated for 100 pounds when fully extended. Comes with hardware needed to install in most cabinets. Unit is 19" tall and requires a minimum 19 1/4" opening height. Shelf height is fixed. Listed width represents the cabinet opening not actual shelf size. Minimum opening is 1/2" smaller than the listed width.



| | | | | |
|--------|----------------------|----------|----------------------|----------|
| RV5WB2 | 9" wide by 18" deep | \$77.61 | 12" wide by 18" deep | \$86.60 |
| | 12" wide by 22" deep | \$96.69 | 15" wide by 22" deep | \$99.50 |
| | 18" wide by 22" deep | \$108.66 | 21" wide by 22" deep | \$118.24 |



18" deep units require at least 18 1/8" of cabinet depth. The 22" deep units require a cabinet depth of at least 22 1/8".

Mounts to cabinet base, face frame and rear wall

Cabinet fillers

These systems make use of the dead space behind filler panels. They do not come with the filler panel.



Base fillers

Perforated stainless steel panel comes with an assortment of pegs and hooks

| | | |
|------------|--------------------------------|----------|
| RV434BF3SS | 3" wide, 23" deep and 30" tall | \$185.85 |
| RV434BF6SS | 6" wide, 23" deep and 30" tall | \$208.53 |

Wall fillers

3 adjustable shelves are great for storage of small items such as spices

| | | |
|-----------|-----------------------------------|----------|
| RV432BF3C | 3" wide, 11.12" deep and 30" tall | \$82.57 |
| RV432BF6C | 6" wide, 11.12" deep and 30" tall | \$103.19 |



Narrow wall cabinet pull outs

This unit is perfect for narrow wall cabinets. Contains one 3 tier pull-out on full extension over travel slides. Maple product, natural finish. Includes chrome rails.

Both units are 10 3/4" deep and 26 1/4" tall and require a cabinet 10 7/8" deep and 26 3/8" tall cabinet opening.

| | | |
|----------------------------|-----------|---------|
| 5" requires 5 1/8" opening | RV448WC5C | \$83.98 |
| 8" requires 8 1/8" | RV448WC8C | \$97.09 |



Drawer organizers



Spice drawer insert

Insert is custom cut to fit inside your drawer to neatly arrange and organize your small to medium size spice bottles. Drawer must be a minimum of 4" tall. Available up to 50" wide for drawers up to 21" deep. Removable for easy cleaning.

| | | | | | | |
|--------|---------------|---------|------------|---------|------------|---------|
| RVST50 | 4" to 8" wide | \$16.92 | 8" to 12" | \$21.92 | 12" to 16" | \$26.92 |
| | 16" to 20" | \$31.92 | 20" to 24" | \$36.92 | 24" to 30" | \$44.92 |
| | 30" to 36" | \$52.92 | 36" to 50" | \$60.92 | | |

Specify inside drawer width and depth and we will cut the insert to fit your measurements

Wood spice insert Birch/Maple hardwood with a UV-cured coat finish that allows an acceptable match to any cabinet. Contains one tray insert that can be customized for various drawer sizes. Available in 16" and 22" widths. Both sizes are 19 3/4" deep and 1 1/2" tall

| | | |
|-----------|-------------------------|---------|
| RV4SD1-18 | 16" wide x 19 3/4" deep | \$41.71 |
| RV4SD1-24 | 22" wide x 19 3/4" deep | \$45.92 |

Unit comes stated size and you trim to fit your drawer.



Wood Cutlery tray insert Classic Birch/Maple Hardwood with a UV-Cured finish to ensure a match to any kitchen cabinet. Trim to fit with simple drop-in installation. Available in two sizes 14 5/8" wide (minimum size 8 3/4") and 20 5/8" wide (minimum size 14 1/4"). Both sizes are 22" deep and 2 1/8" tall. Minimum cut depth is 15 1/2"

| | | |
|------------|--------------|---------|
| DORV4WCT-1 | 14 5/8" wide | \$25.87 |
| DORV4WCT-3 | 20 5/8" wide | \$34.02 |

Wood Utility Tray Insert Organize kitchen drawers with ease and style. This trim able wood tray is an acceptable match to any kitchen cabinet and requires a simple drop-in installation. Available in two sizes, 18 1/2" wide and 24" wide. Both units are 22" deep and 2 7/8" tall

| | | |
|------------|--------------|---------|
| DORV4WUT-1 | 18 1/2" wide | \$25.87 |
| DORV4WUT-3 | 24" wide | \$34.05 |



Knife holder / Cutting board Replace your drawer with this combination knife holder cutting board. Uses your existing drawer front. Includes a removable cutting board with mineral oil treatment. Includes full extension ball bearing slides with mounting hardware. Three divided sections including unique 7 slot knife holder. Available in three sizes, 14 1/2" wide, 17 1/2" wide and 20 1/2" wide All sizes are 22 3/4" deep and 4 3/4" tall. Drawer front is not included

| | | |
|-------------|--------------|----------|
| DORV4KCB-18 | 14 1/2" wide | \$129.43 |
| DORV4KCB-21 | 17 1/2" wide | \$143.30 |
| DORV4KCB-24 | 20 1/2" wide | \$152.48 |

Trim Able Knife Block with Divider Trim able knife holder with divider. This UV coated Maple system can be trimmed to fit your drawer. Provides up to 19 slots for knife storage. Has separate compartment for other utensils. Provides more storage than a traditional knife block. Simple drop-in installation saves valuable countertop space. Tray is 18 1/2" wide and can be trimmed as small as 3". Depth is 22" and can be as small as 8". The unit is 2.87" tall

| | |
|------------|---------|
| DORV4WKB-1 | \$54.87 |
|------------|---------|



Trash and recycle centers



TR-814PB



TR9PBWH



TREZ30032



TR5349-15DM1CH



TR4WCTM-12DM1



TR4WCTM-1550-1



TR12PB-L



TR12PBS



TR12PB-50SWH



TR15PB2SWH



TR4WC-15DM



Discontinued



TR14PBSWH



TR18PB2S



TR18PB1WH



TR5349-18DWH



TR80104-WH



TR8013-SS



TR4WC-18DM2



TR5349-21



TR87004-WH



TRWM20FWH

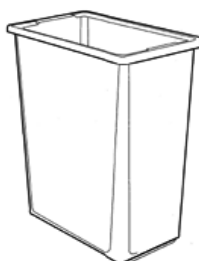


TR4WCTM-27-4

Replacement Containers



27 quart container \$27.61
TR1024W-52 7 pounds
11 3/8" wide x 11 3/8" deep
x 17 3/4" tall



30 quart container \$14.99
TR6700-61WH 7 pounds
9 3/8" wide x 15 3/8" deep
x 17 7/8" tall



35 quart container \$19.66
TR35-52 7 pounds
14 7/8" wide x 10 1/2" deep
x 17 7/8" tall

Lazy Susans

Two layer full circle 18", 20", 24", 28", 32"

Designed for use in corner wall and base cabinets. Features two dependant rotating polymer trays, both trays turn together. Shelf heights can be moved on the post by locking screws that allow adjustment. Ribbed tray design provides greater strength and stability. Fits cabinets heights from 24" up to 31". #32" unit fits 26" to 32" tall. Easy installation. Kit includes two trays, telescoping center shaft, top and bottom pivots, and screws



| | | | |
|--------------|----------------|--------|-----------------|
| 18" diameter | FCLS6012-18 | | |
| White | \$44.42 | Almond | \$44.42 |
| 20" diameter | FCLS6012-20 | | |
| White | \$49.20 | Almond | \$49.20 |
| 24" diameter | FCLS6012-24 | | |
| White | \$51.92 | Almond | \$51.92 |
| 28" diameter | FCLS6012-28 | | |
| White | \$65.42 | Almond | \$65.42 |
| 32" diameter | FCLS6072-32 | Silver | \$122.21 |

Three layer full circle 18" diameter

Three tray Set fits cabinet heights from 36" to 42". Three trays to maximize your storage. Shelf heights can be moved on the post by locking screws that allow adjustment. Ribbed tray design provides greater strength and stability. Easy installation. Kit includes three trays, telescoping center shaft, top and bottom pivots, and screws.

FCLS6013-18
 White **\$70.11** Almond **\$70.11**



D Shaped 3 tier 20" diameter

Features dependent shelf rotation. Features 1 1/4" high tray retainer. Utilizes a standard 3/4" diameter lower shaft with telescoping post. Fits cabinets from 37" to 46" high. Includes three shelves, telescoping center shaft, mounting hardware and screws. White polymer 20" diameter trays

DSLS7013-20 White **\$71.23**



D shaped two tier 20" diameter

Features dependent shelf rotation. Ribbing allows maximum support and deflection. Features 1 1/4" high tray retainer. Utilizes a standard 3/4" diameter lower shaft with telescoping post. Fits cabinets from 26" to 32" high. Includes two shelves, telescoping center shaft, mounting hardware and screws. White polymer 20" diameter trays

DSL7012-20WH White **\$57.88**



D shaped 5 tier pantry system 22" diameter

D shaped lazy susan to fit in 24" deep pantry cabinets. The five 22" trays rotate independently and self locate within 30 degrees of proper resting position. Adjustable to fit in pantry cabinets with 56" to 62" internal height. 32 pound nominal load per shelf

DSLS6265-22WH 37 pounds
 Your price **\$213.87**



Lazy Susans

Kidney shaped two tier 18", 24", 28", 32"

Features independent shelf rotation. Exclusive cantilevered ribbing allows maximum support and deflection. Shelves can be relocated on post by loosening locking screws. Provides 15/16" clearance between the cabinet floor and the bottom shelf. Acetyl polymer bushings provide self lubricating bearing areas and quiet operation. Gravity centering positioned assembly provides centering from either side of the original position. Fits cabinets from 26" to 32" high. Includes two shelves, telescoping center shaft, mounting hardware and screws

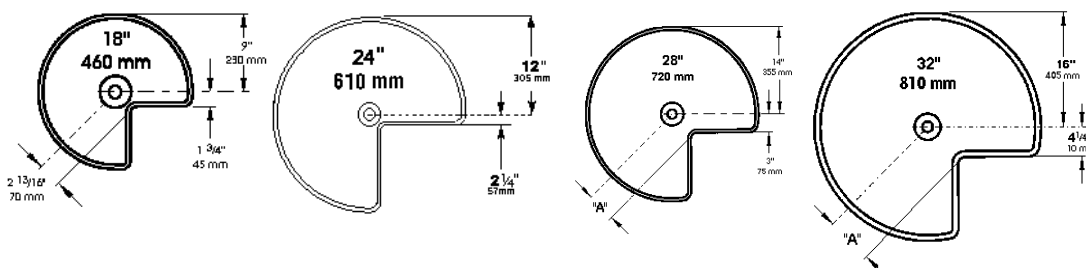
| | | | | | |
|-------------|------------|---------|-------------|------------|---------|
| KSLS6472-18 | 18" white | \$71.60 | KSLS6472-28 | 28" white | \$78.82 |
| | 18" almond | \$74.92 | | 28" almond | \$78.82 |
| KSLS6472-24 | 24" white | \$71.60 | KSLS6472-32 | 32" white | \$92.97 |
| | 24" almond | \$71.60 | | 32" almond | \$85.55 |



Pie cut for door mount 24", 28" diameter

Offers polymer components for quieter action. Single screw is used for adjustment of the doors with full 360 degree rotating alignment. Height adjustment is a snap with the thumb and forefinger with the height adjusting locking clip. Telescoping hardware is 24" long and extends to 31", or can be cut to fit smaller openings. Features 1" heavy wall tubing and engineered die cast and polymer components. Includes shelves, pivot, cam, telescoping post, hardware and instructions

| | | | | | | | | | |
|-------------|-----------|---------|------------|---------|-------------|-----------|-------|------------|---------|
| PSLS6942-24 | 24" white | \$66.17 | 24" almond | \$66.17 | PSLS6942-28 | 28" white | 83.92 | 28" almond | \$83.92 |
|-------------|-----------|---------|------------|---------|-------------|-----------|-------|------------|---------|



Half moon blind corner Lazy Susans

Strongest blind corner lazy susan unit available. Polymer bushings surround all rotating bearing areas for super quiet performance. Two mounting brackets are included to accommodate both frame and frame less cabinetry. Self closing roller design provides positive action positioning in both the open and closed positions.



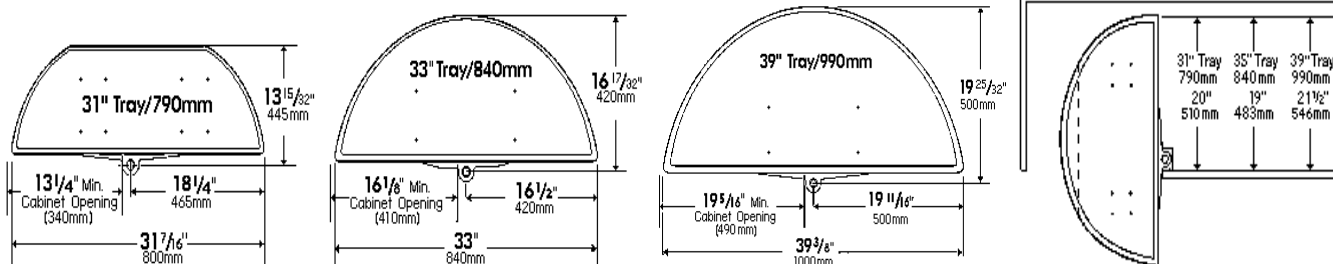
One pivot, one pivot and slide out

| | | | | |
|----------------------|-----------|--------|----------------|----------|
| 13 1/4" door opening | BC6862-31 | Almond | \$132.05 White | \$132.05 |
| 16 1/8" door opening | BC6862-33 | | White | \$146.64 |
| 19 1/4" door opening | BC6862-39 | | White | \$147.79 |

One pivot, one pivot and slide out

Just like the model above except both shelves pivot and slide out

| | | | | |
|----------------------|-----------|-------|-----------------|----------|
| 13 1/4" door opening | BC6882-31 | White | \$141.80 Almond | \$141.80 |
| 16 1/8" door opening | BC6882-33 | White | \$148.45 Almond | \$148.45 |
| 19 1/4" door opening | BC6882-39 | White | \$161.73 Almond | \$161.73 |



Tip out trays

Tip out tray with tabs

An affordable alternative to standard tip out trays. With this 11" white molded polymer tray with tab stops you use your own standard hinges to create some extra space right where you need it most.

Sold per tray. Hinges not included

| | | | |
|-----------|------------|----------|---------------|
| T06561-11 | 1.5 pounds | 11" wide | \$3.76 |
| T06561-14 | 1.5 pounds | 14" wide | \$3.98 |



Tip out set with hinges

Are you tired of looking at those sponges and scrub pads on your counter? Have you ever lost a ring while doing the dishes? This tip out tray set includes 2 trays and 2 pair of hinges. One of the trays has a post to hold your ring while washing and a space for a sponge or scrub pad

| | | | |
|-----------|------------|----------|----------------|
| T06572-11 | 2.5 pounds | 11" wide | \$17.81 |
| T06572-14 | 2.5 pounds | 14" wide | \$18.18 |



Custom fit tray set

Designed for a single large tray installation. This 36" tray can be cut to the exact size you need. End cap kit include glue to attach end caps. Keyhole mounting brackets are attached to the end caps and allow for easy installation and quick removal for cleaning. Includes 36" tray, one cap kit (2 caps), one pair of hinges (2 hinges), glue and mounting hardware. Tray dimensions are 3 5/16" tall in the back and 2" tall in the front. The tray is 2 7/16" deep

| | | | | |
|------------|---------------------------|----------------|---------------|----------------|
| T06551-599 | White | \$17.62 | Almond | \$17.62 |
| | Extra hinges and end caps | | \$9.19 | |



Slim fit tip out set Two trays and hinge sets

Made just for those tight areas this slim tray requires just 1 11/16" clearance. Great for use with large sinks or solid surface counters. Kit includes two white slim trays and 2 pair of hinges

| | | | |
|-----------|------------|-----------|----------------|
| T06542-11 | 2.5 pounds | 11" trays | \$19.78 |
|-----------|------------|-----------|----------------|



Slim tray components 36" tray

Tray only - 36" white slim polymer tray. Does not include hinges or end caps. Slim tray requires just 1 11/16" depth

| | | |
|-----------|---------|---------------|
| T06541-36 | 1 pound | \$9.37 |
|-----------|---------|---------------|

Slim tray components hinges and end caps

One pair of hinges and one pair if end caps for slim fit trays. No trays included

| | | |
|-----------|---------|---------------|
| T06542-WH | 1 pound | \$9.66 |
|-----------|---------|---------------|

Slim fit 36" tray, 1 pair hinges and end caps

This set includes one white polymer 36" tip out tray, one pair of hinges and one pair of end caps. Requires just 1 11/16" clearance

| | | |
|-----------|----------|----------------|
| T06541-50 | 2 pounds | \$16.59 |
|-----------|----------|----------------|

Stainless Steel tip out trays

Sleek Simple design. Classic stainless steel trays feature smooth folded over edges with a protective polished finish. Includes one tray, requires hinges sold separately
Shipping weight 1 pound

| | | | | | |
|-------------|-----|---------|-------------|---------|---------|
| T06581-10SS | 10" | \$10.31 | T06581-14SS | 14 1/4" | \$16.26 |
| T06581-11SS | 11" | \$10.87 | T06581-19SS | 19" | \$16.16 |
| T06581-16SS | 16" | \$15.51 | T06581-25SS | 25" | \$18.14 |
| T06581-28SS | 28" | \$18.93 | T06581-31SS | 31" | \$19.54 |

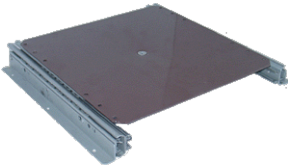


Hinges

| | | | |
|-----------|--|------------|---------------|
| T06552H | one pair hinges for standard cabinets | .25 pounds | \$4.32 |
| T06552ETH | one pair hinges for frameless cabinets | .25 pounds | \$6.09 |

TV shelves

All of our pull out swivel TV shelves have size and weight ratings. These ratings are based on the old style CRT sets and should not be used to determine what size LCD set will fit on them. For example you can not put a 36" LCD set on a 110 pound system regardless how light the TV is. We do not recommend any units under 450 pounds for DLP TVs. The 225 system works out well for most LCD sets but the weight should be centered on the swivel. Some customers have reported success using counterbalance weight on the back of the swivel to allow them to place their set near the front of the swivel. Any free standing structure that has a pull out TV shelf should be attached to a wall so that it can not tip when extended. You must judge the soundness of your installation. Shelves that Slide can not be held responsible for any damage due to the failure of any unit we sell



110 pound system This light weight tv shelf is a low cost option for a smaller TV. It is designed for a 13" CRT type TV. For a LCD or Plasma set look at our 225 system or even the 450 or 500 pound systems as they can handle a larger platform that. This slideout tv shelf unit features full extension zinc plated ball bearing slides with 110 pounds capacity. The sliding swivel plate is 12 9/16" square and has a brown epoxy finish. There are holes in the plate to attach your shelf on top to support your TV. This unit is just 1 3/4" tall, 15 3/16" wide and 13 3/4" deep. The swivel plate extends 13 3/8" from its closed position. The plate can swivel a full 360 degrees. This slideout tv shelf is designed to use a shelf platform that you supply and attach to the swivel plate. You can also purchase a custom topper shelf from us. The slideout tv shelf unit is shipped fully assembled and ready to install, there are no mounting screws or bolts included

TV1005BN \$69.99

225 pound system Perfect for accessing your television in your armoire or your entertainment center. This pull out TV swivel shelf features 360 degree rotation with smooth action glides. Heavy duty 225 pound capacity 14" extension ball bearing slides with end stops provide a smooth ride for your TV. This is the mechanism for a TV pull out swivel shelf as seen in the picture. The 16" square top plate has holes for attaching your shelf. You can make a custom top shelf to match your installation and attach it to this slide out swivel television shelf or you can order a 3/4" Custom Topper shelf for this system

TV225 \$99.99



Shelves That Slide
4125 W Fortune Dr.
Phoenix, AZ 85086
www.ShelvesThatSlide.com



Shelves That Slide
1-800-598-7390

