

TriMark®

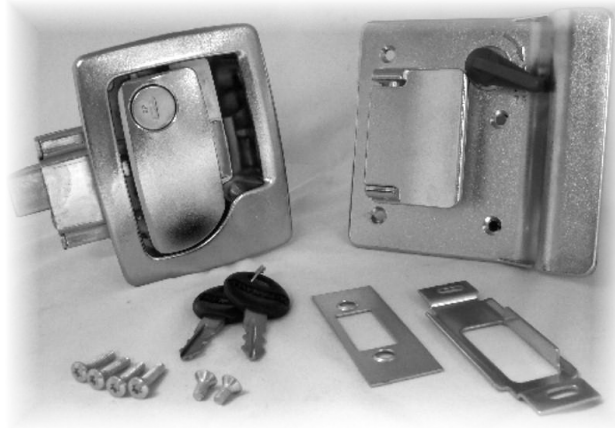
Service & Replacement Parts

TriMark Service and Replacement Parts provides the standard vehicular hardware products and keys to OEM's in the construction, agriculture, truck (on and off-road), recreational vehicle and enclosure markets. We provide products such as latches and handles, striker bolts and locks, hinges and window hold-opens to RV dealers, locksmiths, specialty vehicle and other end users.

Welcome to TriMark Service & Replacement Parts

TriMark Service & Replacement Parts, a division of TriMark Corporation, provides the standard vehicular hardware products and keys to OEM's in the construction, agriculture, truck (on- and off-road), recreational vehicle, and enclosure markets. We also serve RV dealers, locksmiths, specialty vehicle users and others. Our products include a variety of latches and handles, striker bolts and locks, hinges and window hold opens. TriMark also has key blanks and the ability to cut keys to TriMark codes.

Customer service is a priority. We know the door latches and handles used in the RV industry and will help you identify which part you require and provide technical assistance if needed. With any order, large or small, you'll receive personalized service and attention to detail. Our dedicated staff is ready to help with your replacement hardware requirements. For many of our customers we support "just-in-time", repair part packaging, and stocking programs. We have engineers available to assist in the proper selection and application of our products and help with the identification of repair or service parts.



Inventory levels are maintained so our customers receive what they want -- when they want it. Same day shipping is provided on in-stock items on orders that are received by 2:00 P.M. Central Time. VISA, Master Card, and C.O.D. are acceptable methods of payment and credit is available upon approval.

Our modern warehousing and shipping facility is conveniently located adjacent to TriMark Corporation. This allows us to keep our inventory sufficiently stocked and ready to ship. It's so easy to order:

Toll Free: 1-800-431-8616

Email: trimarkparts@trimarkcorp.com

Fax: 641-394-1515 or 641-394-1572

You can also purchase select replacement parts on:



'Any hardware supplier can sell you components, but TriMark has built its reputation by providing custom solutions to customer needs through complete door and system solutions.'

Products -- Setting the Standard

TriMark enjoys an excellent reputation as a leading designer and manufacturer to the on- and off-road vehicle and industrial hardware industries. We provide latching and access solutions for the agricultural, truck, construction, recreational vehicle, and enclosure markets. Our products have become the "standards" by which others are compared.

We manufacture a variety of latches, handles, striker bolts, linkage, and related components for domestic and overseas markets that are innovative, field proven and value priced.

KeyOne™ Plus

An improved KeyOne™ Plus system is available for certain TriMark products. Enhanced features include a reversible key for ease of operation and a larger body diameter for enhanced security. Please call for information.



Look for the KeyOne™ trademark identifying products that are available with this system.

U.S. Patent No. 5,606,882

Restriction of Hazardous Substance (RoHS)

TriMark is committed to our goals of surpassing environmental standards and being proactive in dealing with concerns for the environment. Our initial efforts focus on complying with all applicable environmental regulations within each country/region in which we do business.

As an example, TriMark has identified and selected a zinc plating process that replaces hexavalent chromium with trivalent chrome. This plating process was carefully tested, evaluated and chosen based on its ability to provide a high quality appearance and corrosion protection performance. TriMark has begun to initiate this process change to the trivalent chrome zinc plating during the third quarter of 2006, and will be complete by the 31st of December 2006, after which we will not manufacture any parts using hexavalent chrome.

FMVSS 206 Statements

Certain TriMark products are listed as either in compliance or excluded from all or part of the standard. These products have been thoroughly tested in accordance with SAE J839 for the load requirements. This is a U.S. standard and covers the door locks and door retention components for passenger cars, multipurpose passenger vehicles, and trucks. The entire door hardware system must be included in the design process: latch, handle, rods/linkages, fasteners, hinges, etc. This ensures compatibility of all components within the hardware system. If FMVSS 206 is a requirement, then all of the components must comply with strength, inertia and functional requirements.

Other regulations and directives that are similar in scope for other countries may also apply, but require an application review to determine conformance. Final door system certification is the responsibility of the vehicle manufacturer.

For additional information relating to these Federal standards including the test methods, please refer to the TriMark website -- www.trimarkcorp.com

TriMark Electrical/Electronic Solutions

If security and convenience are two of the major attributes your customers demand for the electronics in their vehicle doors, TriMark has the answer. Full functionality and state-of-the-art design and manufacturing means you can depend on TriMark electronics to be working many years down the road.

For additional information relating to TriMark's electrical/electronic solutions, please refer to the website -- www.trimarkcorp.com

Radio Frequency -- TriMark's radio frequency offers remote controlled keyless entry for end user convenience and security.

Keypad -- TriMark's keypad offers true keyless entry for end user convenience and security.

Actuators -- TriMark's reliable and durable actuators are available in several styles and options.

Drawings/Dimensions

Individual part dimensions are for reference only. Refer to individual part drawings for complete dimensions, specifications, and installation procedures. Engineering assistance and application drawings are available.

Additional product information including latch and striker bolt installation as well as other technical tips and guidelines are available for viewing on the TriMark website.

www.trimarkcorp.com

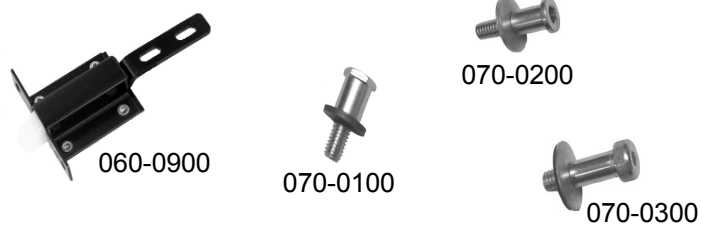
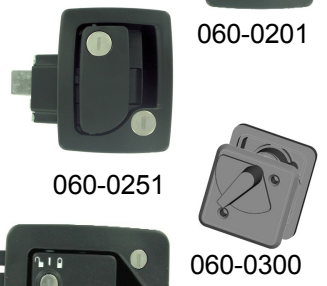
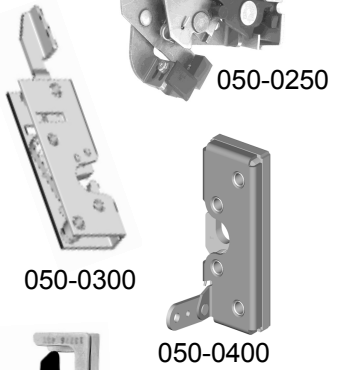
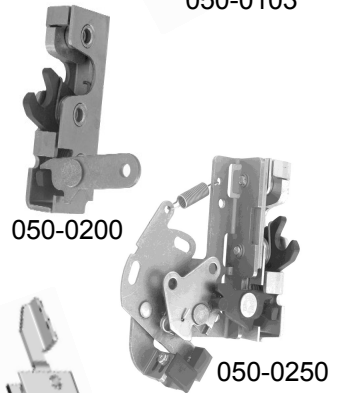
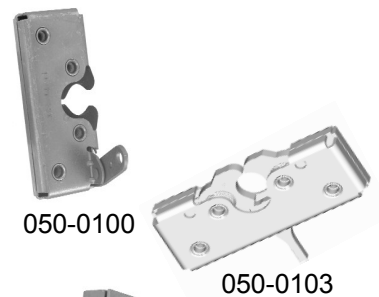
Table of Contents

010-0300 Locking L-Handle	1-2
010-0600 Pop-Up T-Handle	3
020-0150 Grab Handle	4
020-0700 Flush Pull Handle	5
030-0100 Single Rotor Compartment Latch	6
030-0175 Stamped Compartment Latch	7
030-0185 Stamped Steel 2-Point Paddle Handle	8
030-0300 Entrance Door Hardware Set	9
030-0400 Paddle Handle	10
030-0425 Inside Bezel & Release Lever Assembly	11
030-0450 2-Point Paddle Handle	12
030-0900 Motor Home Entrance Door Hardware	13
030-1000/1050 Motor Home Entrance Door Hardware	14
030-1100 2-Point Paddle Handle	15
030-1125 Paddle Handle With Hook	16
030-1400 Paddle Handle	17
030-1425 Paddle Handle	18
030-1450 2-Point Paddle Handle	19
030-2000 2-Point Free Float Baggage Lock	20
040-0500 120mm Push Button Handle	21
040-0550 163mm Push Button Handle	22
040-0600 TriMount Push Button Handle	23-24



Table of Contents

050-0100 Two-Rotor Latch	25
050-0103 Two-Rotor 2-Position Intertrip.....	26
050-0200 Slimline Rotary Latch	27
050-0250 Single Rotor Latch & Release Linkage	28
050-0300 Single Rotor Latch	26
050-0400 Floating Striker Single Rotor Latch	29
050-0500 Single Rotor Mini-Latch.....	30
060-0201 Trailer Latch.....	31
060-0251 Trailer Latch With Dead Bolt.....	32
060-0300 Flush Mount Security Lock	33
060-0400 Flush Mounted Baggage Lock.....	34
060-0450 EZ Access Baggage Lock	35
060-0460 Flush Baggage Lock	36
060-0475 Flush Baggage Door e-LOCK.....	37
060-0500 Plunger Bolt Assembly	38
060-0600/0650 Motor Home Entrance Door Hardware.....	39
060-0900 Recessed Mount Plunger Bolt.....	40
060-1300 Flush Mount Security Lock	41
070-0100 .500 (12.7mm) Diameter Striker Bolt	42
070-0200 .675 (17.1mm) Diameter Striker Bolt	42
070-0300 .375 (9.5mm) Diameter Striker Bolt	43
070-0400 12mm Diameter Striker Bolt	43
090-0100 Rod Clips.....	44
100-0500 Strike Plates.....	44
Key Blanks	45
KeyOne™ Plus.....	46
e-ASK.....	47
West Alloy	48
Appendix.....	49-52



010-0300 Locking L-Handle

Locking L handles provide simple exterior rotating handle functions for surface mounted applications.

DESIGNED FOR:

- General purpose use for off-highway cab doors or storage, compartment and access doors for on or off-highway applications

FEATURES/BENEFITS:

- Ample finger clearance
- Easily installed with oval or flat head No. 10 fasteners (not included)
- Locking L-handle assembly provides 360° rotation and locks at 90° increments

AVAILABLE:

- Mounting hole patterns and escutcheons (bases) for different finger clearances
- Drive bar lengths, with or without holes or threaded rods
- Keyed CH751 and other key codes
- Drive bar attached to handle by drilling and pinning
- Locking or non-locking:
 - Standard finger clearance (Type 1 and 2)
 - Extended finger clearance (Type 4)
 - Low profile (Type 3)
- 1.50 or 1.75 mounting hole spacing



FINISH:

- Handle and escutcheon: copper-nickel chrome plated or black powder coated
- Drive bar: mill finish

MATERIAL:

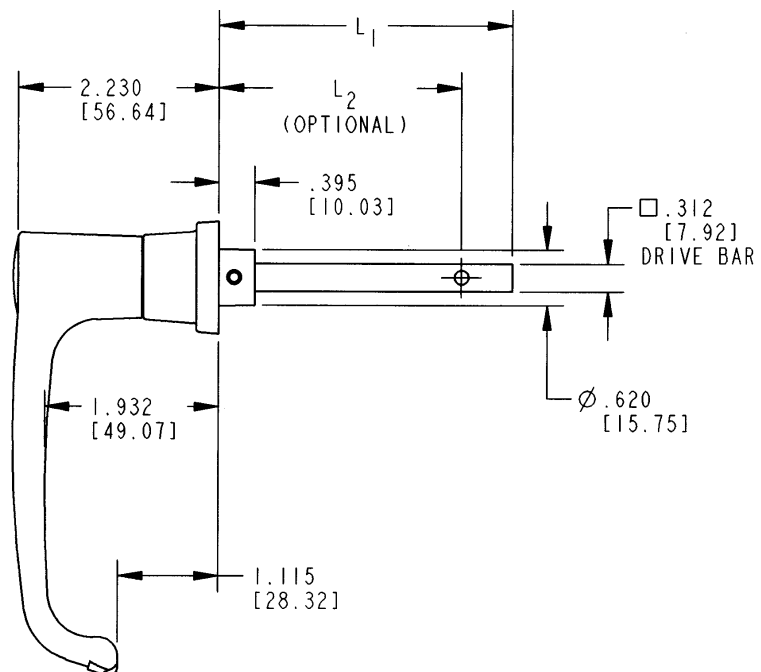
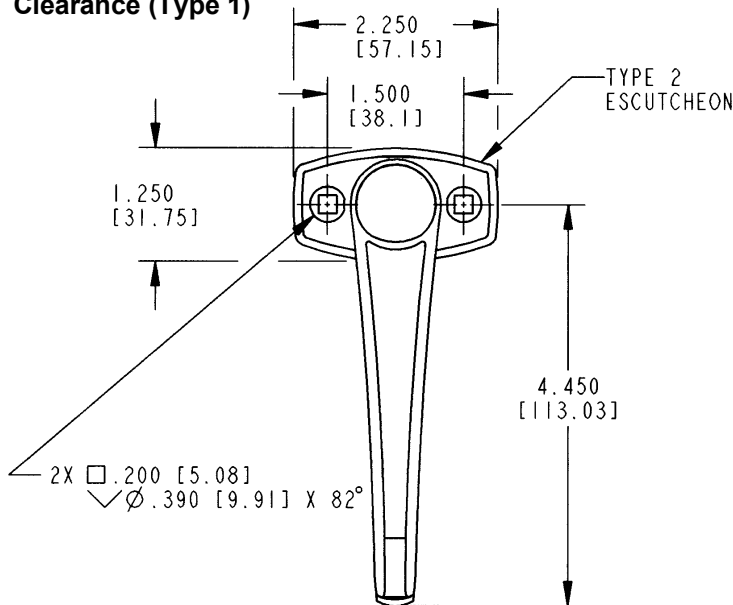
- Handle and escutcheon: die cast zinc alloy
- Drive bar: mild steel

SPECIFY WHEN ORDERING:

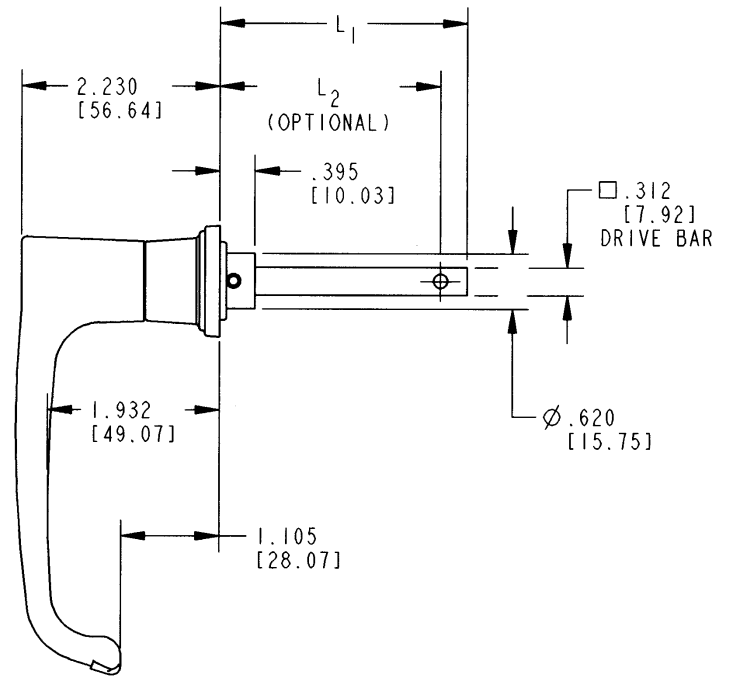
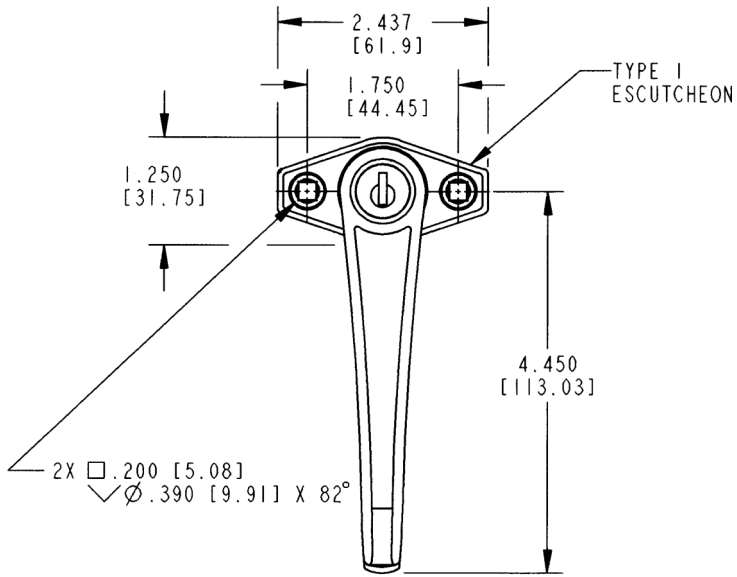
- Series number
- Escutcheon type
- Drive bar length (L1) and optional hole location (L2)

For more information visit
www.trimarkcorp.com

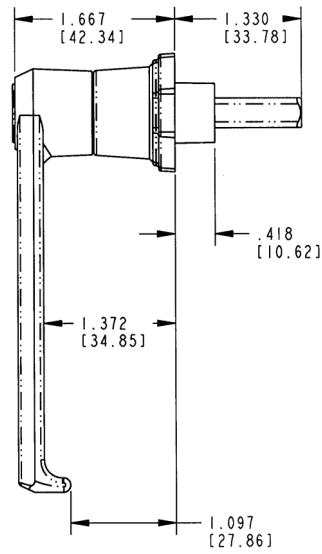
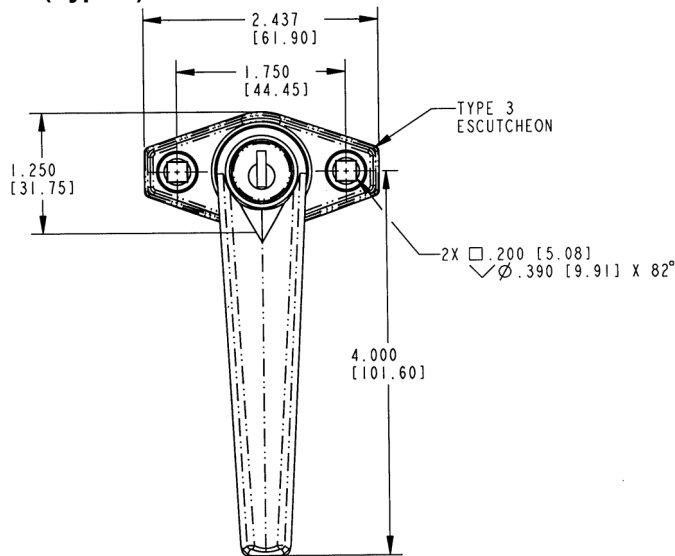
Standard Finger Clearance (Type 1)



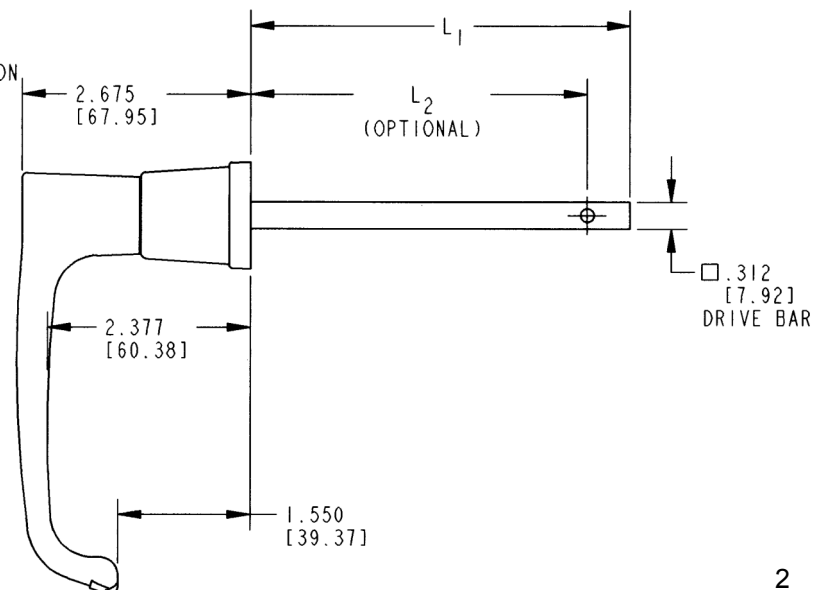
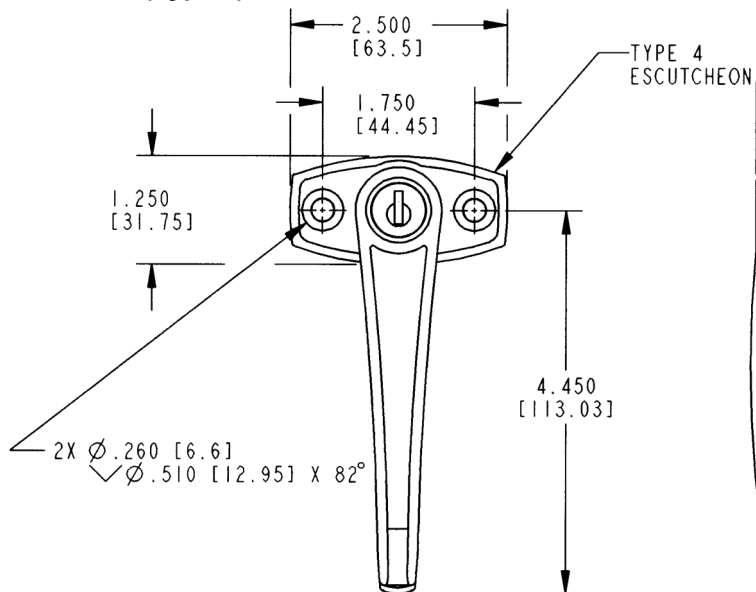
Standard Finger Clearance (Type 2)



Low Profile (Type 3)



Extra Finger Clearance (Type 4)



010-0600 Flush Mounted Pop-Up T-Handle

This handle was designed for toppers, lift-gate and baggage doors where 1/4 turn cam locking is desired. It features a low profile handle that pops-up when actuated for ease of use and is available in several rotations, drive bar lengths and finishes.

FEATURES/BENEFITS:

- Flush mounted - when "T" handle is depressed, rivets and fastener heads are concealed
- Rubber gasket under base provides resistance to water infiltration

AVAILABLE:

- Key lockable with 50 key codes available or keyed alike. Non-locking version is also available
- 1, 2, or 3-point locking
- 90 degree or 150 degree rotation
- 2.500" (63.5mm) or 3.500" (88.9mm) drive bar lengths
- Clockwise or counterclockwise rotation

MATERIAL:

- Shuttered keyway: stainless steel
- All major components: zinc alloy
- Drive bar: zinc plated steel
- Internal (2) springs: stainless steel

FINISH:

- Black powder coated or white

INSTALLATION:

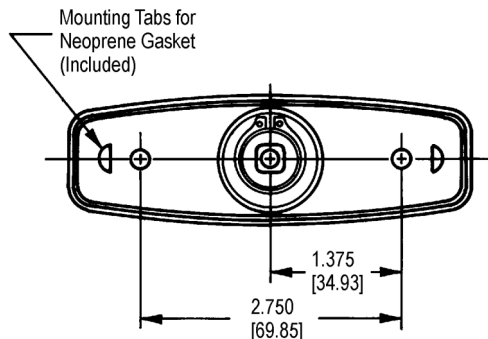
- Easy installation with (2) No. 10 fasteners or rivets
- Recommended door mounting - 1.125" diameter (28.6mm) thru hole

U.S. Patent No. 4,689,976

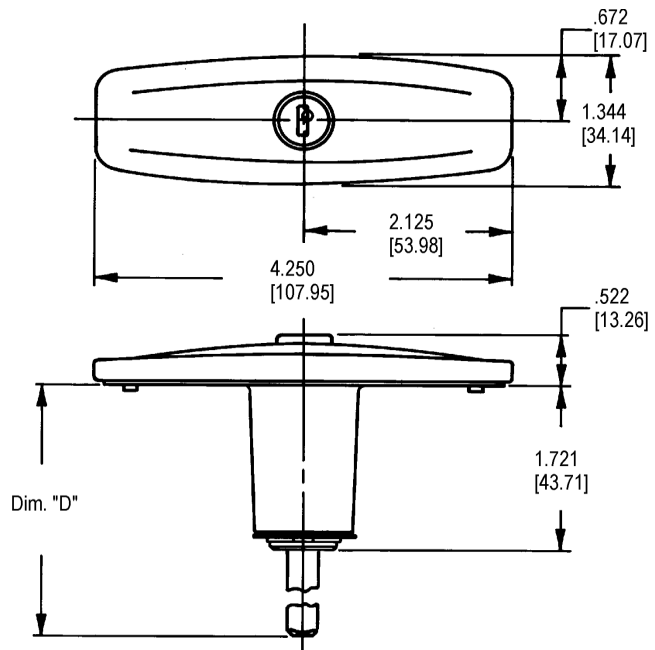
For more information visit
www.trimarkcorp.com



010-0600 Flush Mounted Pop-Up T-Handle					
Part #	Rotation	Degree	Finish	Key Code	Drive Bar Length
11738-02	Clockwise	90°	White	TM911	3.5"
11738-04	Clockwise	90°	Low Gloss Black	TM911	2.5" Threaded
11738-05	Clockwise	90°	Low Gloss Black	TM901-951	3.5"
11738-06	Clockwise	90°	Low Gloss Black	TM911	2.5"
11738-37	Clockwise	90°	Low Gloss Black	TM911	3.5"
11739-37	Clockwise	90°	Low Gloss Black	Non-locking	3.5"
12051-37	Counterclockwise	150°	Low Gloss Black	TM901-950	3.5"
12466-06	Counterclockwise	90°	Low Gloss Black	TM911	3.5"
12466-37	Counterclockwise	90°	Low Gloss Black	TM901-950	2.5" Threaded
13147-01	Clockwise	90°	Low Gloss Black	TM901-950	3.5"
13946-01	Clockwise	150°	Low Gloss Black	TM901-950	3.5"



DRIVE BAR CHART Dimension "D"
2.500 [63.5]
3.500 [88.9]



020-0150 Grab Handle

This stylish entry assist handle for RV coaches, motor homes and travel trailers is available with a lighted acrylic bar for safety and convenience.

FEATURES/BENEFITS:

- Offers modern styling with premium look and feel
- Rugged and durable construction
- Perfect interior complement for the 540-0200 Lighted Grab Handle With Keypad (e-GRAB)

AVAILABLE:

- With or without handle rod light
- Handle rod can be personalized with manufacturer's name, model and logo
- Your choice of handle lengths

INSTALLATION:

- Easy to install with (8) 1/4" or M6 fasteners (not supplied)

FINISH:

- High quality polished copper-nickel-nickel chrome is durable and stylish

MATERIAL:

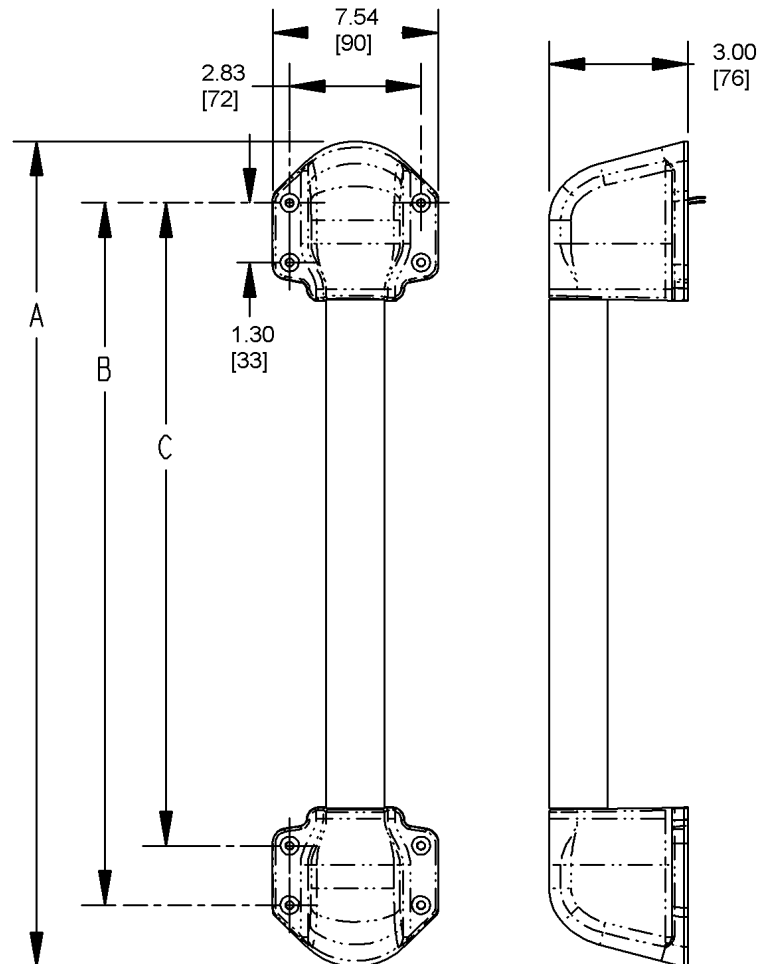
- Sturdy zinc die cast alloy mounting end caps
- Cast acrylic rod in clear finish



Patents Pending

For more information visit www.trimarkcorp.com

A	458 [18"]	495 [19.5"]
B	390 [15.3"]	427 [16.8"]
C	357 [14.0"]	395 [15.5"]



020-0700 Flush Pull Handle

This pull handle was specifically designed for compartment and entrance doors for heavy truck, service truck, ambulance, fire/rescue and off-highway vehicles. It offers ergonomic function and styling, is adaptable for power door lock actuation and has a "free-floating" handle when locked.

- Class 7-8 trucks
- Utility bodies
- Ambulance
- Fire/rescue
- Off-highway vehicles (light duty)

FEATURES:

- Ergonomic function and styling
- Can be keyed to match common ignition locks (not included - please inquire)
- Paddle is "free-floating" when locked and used with appropriate latch/linking with lock logic
- Adaptable for power door lock actuator
- Interior or exterior applications
- Housing flange and internal gaskets provided for resistance to water and dirt infiltration

AVAILABLE:

- Right and left hand configurations (right hand shown)
- Locking and non-locking



MATERIAL:

- Housing: glass reinforced black nylon, brass threaded mounting studs
- Handle: glass reinforced black nylon
- Pivot plate: mild steel

FINISH:

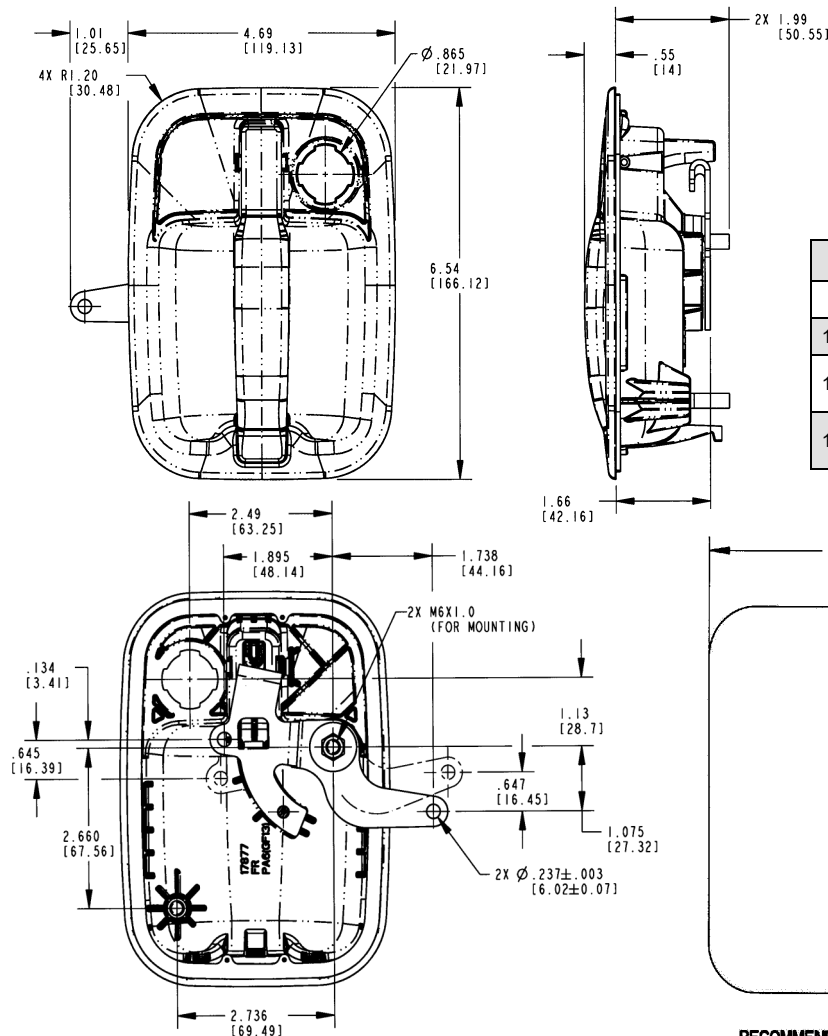
- Black housing, black nylon handle
- Zinc plated clear chromate steel components

INSTALLATION:

- Easy mounting with (2) M6 nuts
- Recommended mounting fastener torque 30-40 in-lbs (3.3-4.4 N-m)
- Either horizontal or vertical orientation
- Non-handed standard mounting bracket (sold separately)

Meets FMVSS 206 locking requirements and may be used in FMVSS 206 applications pending TriMark application approval.

U.S. Patent No. 6,802,544 and 6,805,388
Design Patent No. D489,957



020-0700 Flush Mounted Pop-Up T-Handle				
Part #	Handing	Finish (Handle)	Locking	Pivot Plate
18609-01	Non-handed	Black (Plastic)	Non-locking	2-Point
10330-35	Right Hand	Black (Plastic)	Locking (lock sold separately)	2-Point
11414-09	Left Hand	Black (Plastic)	Locking (lock sold separately)	2-Point

For more information visit
www.trimarkcorp.com

030-0100 Single Rotor Compartment Latch

Designed for most medium to heavy-duty storage and compartment doors, this product features an integrated rotary latch for ease of installation and use.

- On or off-highway vehicle applications--construction, mining, agricultural
- Service and utility truck body doors
- Fire and rescue unit vehicles
- Most storage, compartment and access doors with latch and strike location at top or sides of door
- Door weights of approximately 75 lbs (34 kg) or less

AVAILABLE:

- Keyed alike with shuttered keyway, key code LL11
- Keyed random
- Padlockable

MATERIAL:

- Housing and paddle: die cast zinc alloy
- Other components: zinc plated, mild steel
- Internal latch components: case hardened, smooth edge stamped steel

FINISH:

- Clear chromate, ready to paint



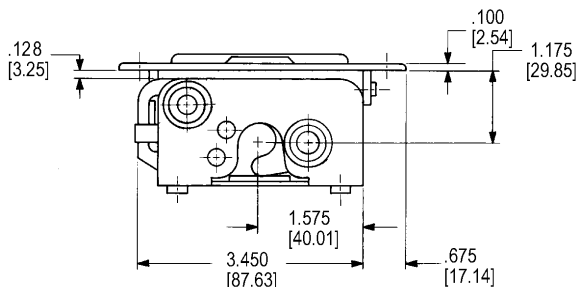
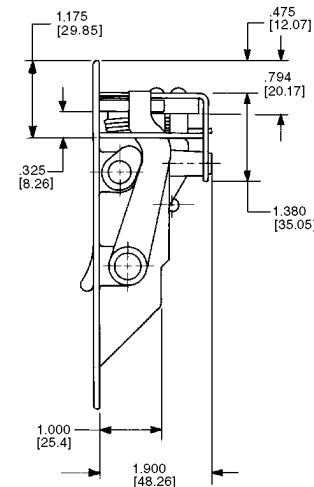
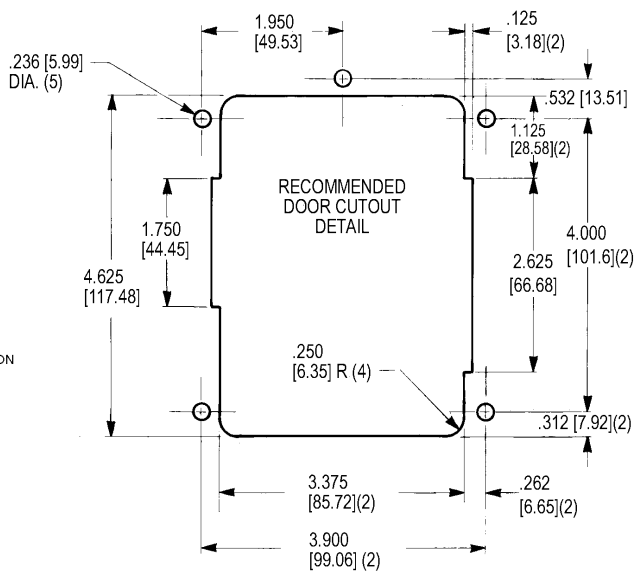
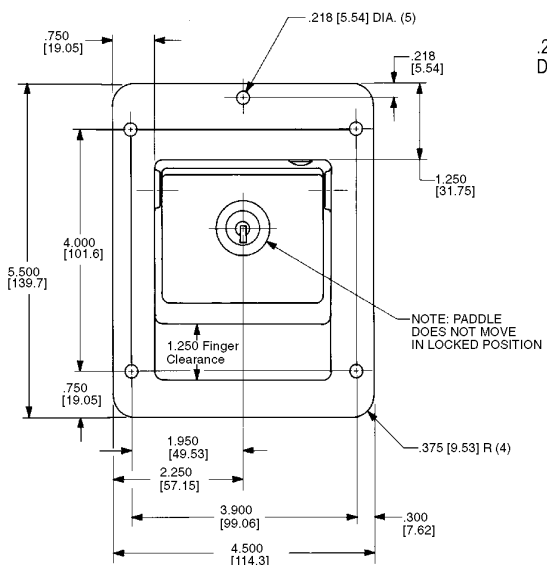
INTERNAL LUBRICATION:

- Oven-cured dry lubricant is applied on all critical moving parts

INSTALLATION:

- 3/16" (4mm) diameter fasteners
- See Appendix for Latch and Striker Installation

Caution: Compartment latch does not meet FMVSS 206 load requirements.



030-0100 Single Rotor Compartment Latch		
Part #	Finish	Key Code
10330-09	Yellow Chromate	LL11
10330-35	Copper-Nickel-Chrome	LL11
11414-09	Yellow Chromate	Padlock

For more information visit
www.trimarkcorp.com

030-0175 Stamped Steel Compartment Latch

This compartment latch was designed for light to medium duty storage and compartment doors. Available in buffed stainless steel or plated mild steel, this product features an integrated rotary latch for ease of installation and use and is available in a power lockable version.

- On or off-highway vehicle applications
- Service and utility truck body doors
- Fire and rescue unit vehicles
- Most storage, compartment and access doors with latch and strike location at top or sides of door
- Door weights of approximately 75 lbs (34 kg) or less

AVAILABLE:

- In locking or non-locking configurations
- Keyed alike
- Keyed random. 50 keycodes available
- 2-point pivot plate for doors that require a 2-point latching mechanism (030-0185)
- Optional gasket for flange of housing is available to provide resistance to water and dirt infiltration
- Power lock actuation
- Customer logo on paddle (please inquire)

FINISH:

- Buffed and polished stainless steel
- Zinc plate clear chromate conversion coat over mild steel for maximum paint adhesion and resistance to rust



MATERIAL:

- Housing and paddle: 300 series stainless steel
- Mild steel also available on housing and paddle
- Other components: zinc plated, mild steel
- Internal latch components: case hardened, smooth edge stamped steel
- Stainless steel non-corrosive springs and rivets

INSTALLATION:

- 3/16" (4mm) diameter fasteners
- Blind mount option also available

APPLICATION RECOMMENDATIONS:

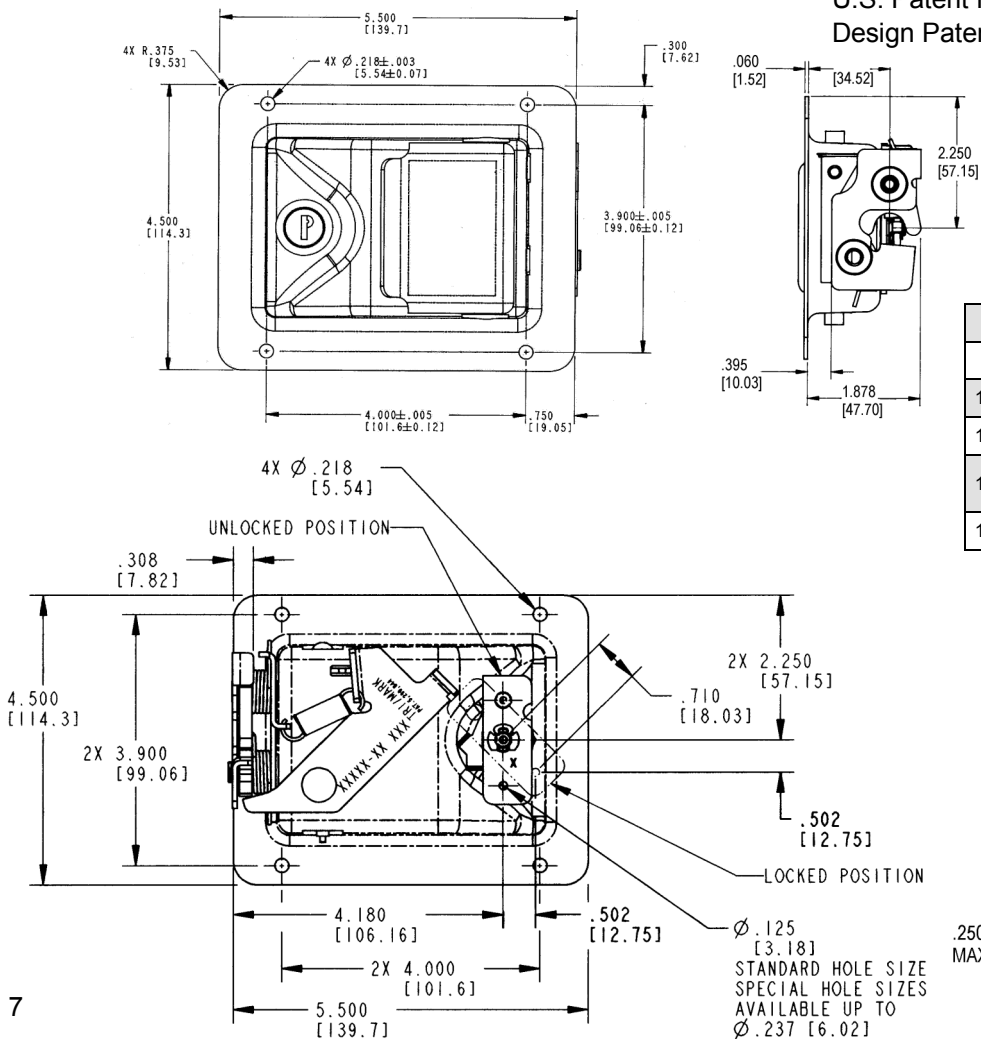
- Striker bolt installation should allow for a minimum radial movement of .060 (1.524) for adjustment
- Rubber bumpers or door seals are recommended to reduce effects of vibration stress on door and latch system

Caution: Compartment latch does not meet FMVSS 206 load requirements.

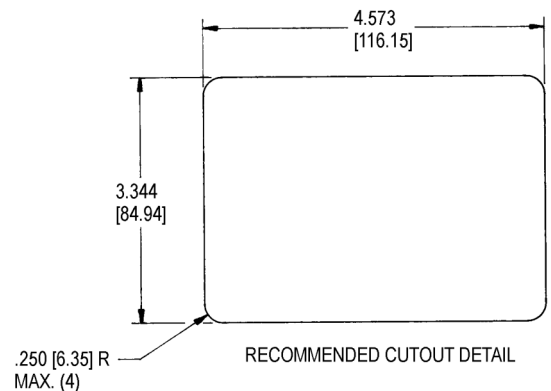
U.S. Patent No. 5,299,844

Design Patent No. D369,089

For more information visit
www.trimarkcorp.com



030-0175 Stamped Steel Compartment Latch			
Part #	Finish	Key Code	Cam
12912-07	Buffed Stainless Steel	CH502	Power lock
12937-01	Buffed Stainless Steel	Non-Locking	No Camlock
15647-04	Buffed Stainless Steel	Customer Install	No Camlock
16268-08	Buffed Stainless Steel	CH508	Camlock



030-0185 Stamped Steel 2-Point Paddle Handle

DESIGNED FOR:

- On or off-highway vehicle applications
- Most storage, compartment and access doors with single or 2-point latch actuation

AVAILABLE:

- In locking or non-locking configurations
- Keyed alike
- Keyed random. 50 key codes available
- Optional gasket for flange of housing is available to provide resistance to water and dirt infiltration
- Power lock actuation

FINISH:

- Buffed and polished stainless steel
- Zinc plate and clear chromate conversion coat over mild steel for maximum paint adhesion and resistance to rust

MATERIAL:

- Housing and paddle: 300 series stainless steel
- Mild steel also available on housing and paddle
- Stainless steel non-corrosive springs and rivets
- Other components: zinc plated, mild steel

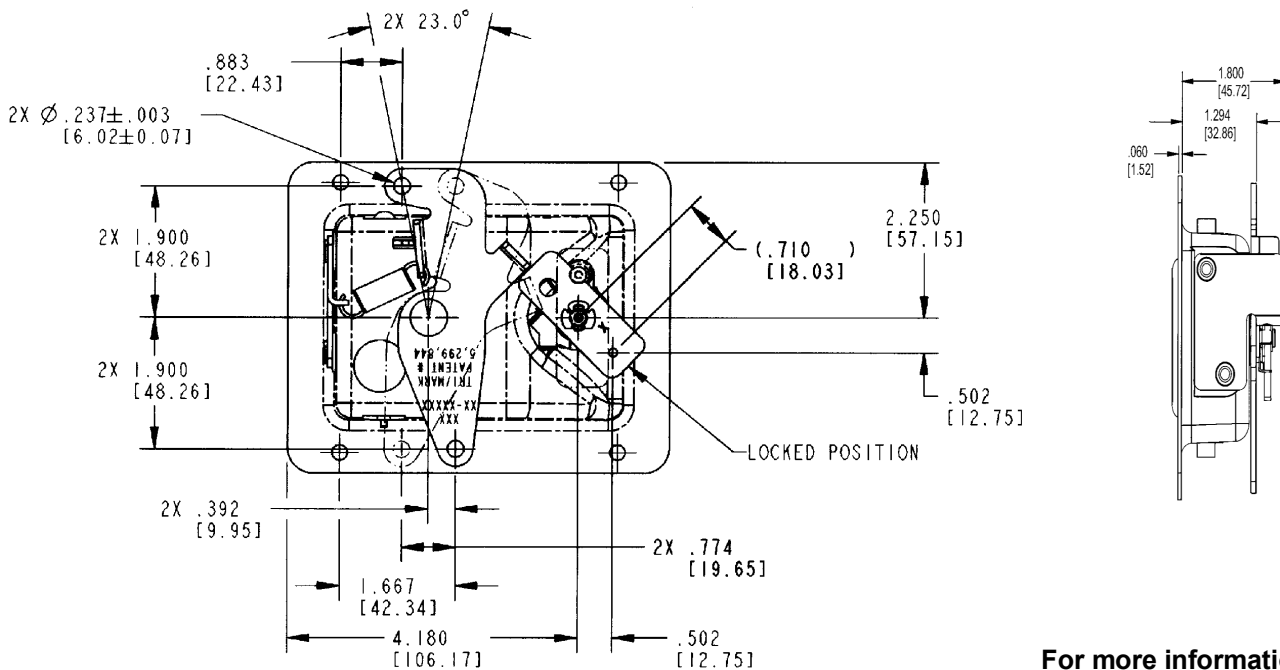
INSTALLATION:

- 3/16" (4mm) diameter fasteners
- Front view and recommended door cut-out detail same as 030-0175 Stamped Steel Compartment Latch
- Blind mount option available

U.S. Patent No. 5,299,844
Design Patent No. D369,089



030-0185 Stamped Steel 2-Point Paddle Handle			
Part #	Finish	Key Code	Actuation
14296-01	Buffed Stainless Steel	CH502	2-Point
15644-03	Buffed Stainless Steel	Non-Locking	Single Point
16283-01	Buffed Stainless Steel	CH502	2-Point
16283-02	Buffed Stainless Steel	CH508	2-Point
16284-01	Buffed Stainless Steel	CH508	Single Point



For more information visit
www.trimarkcorp.com

030-0300 Entrance Door Hardware Set

This product was designed as a complete entrance door solution for RV motor homes. It features an exterior paddle; inside L handle release, safety deadbolt and an integrated 2 rotor latch for ease of installation and use.

FEATURES/BENEFITS:

- Inside lock provides override if outside paddle should be locked
- Inside L-handle provides door closure feature
- Manually operated safety dead bolt
- Two rotor - two stage rotary door latch with primary and secondary latching positions

AVAILABLE:

- Keyed random
- Right or left hand configurations (right hand shown)



INSTALLATION:

- (3) #10-24 UNC mounting screws (included)
- (4) 1/4-20 UNC mounting fasteners (included)

MATERIAL:

- Exterior housing and paddle, interior cover plate and L-handle: die cast zinc alloy
- Rotors: heat treated, smooth edge stamped steel

FINISH:

- Copper-nickel-chrome plated
- Black powder coated

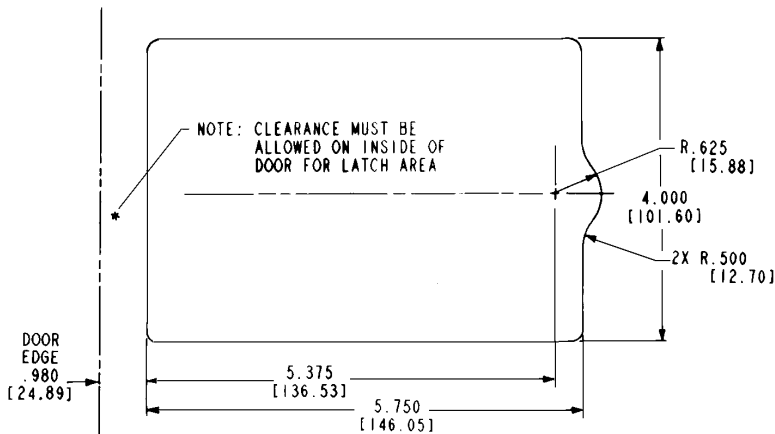
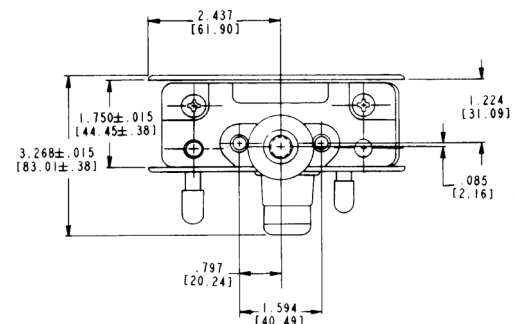
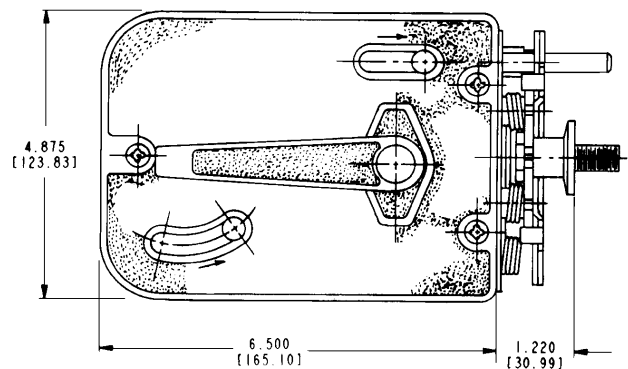
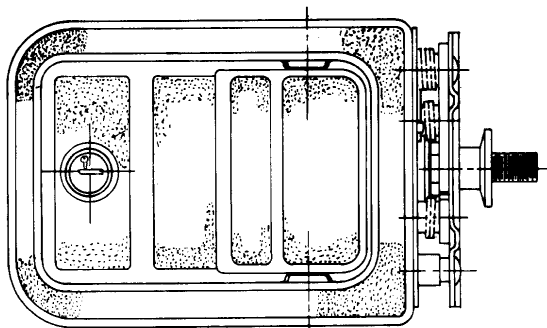
INTERNAL LUBRICATION:

- Oven-cured dry lubricant is applied at factory on all critical moving parts
- Additional lubrication to be applied in the field if required.

Meets FMVSS 206 load requirements and may be used in FMVSS 206 applications pending TriMark application approval.

For more information visit
www.trimarkcorp.com

030-0300 Entrance Door Hardware Set				
Part #	Handing	Description	Finish	Keying
10362-15	Right	Rotary Latch	N/A	N/A
10363-15	Left	Rotary Latch	N/A	N/A
10611-05	Left	Exterior Paddle	Chrome	RH001-050
10899-05-E	Left	Kit	Chrome	RH001-050
10900-05-E	Right	Kit	Chrome	RH001-050
11021-05	Left	Inside Plate	Chrome	N/A
11022-05	Right	Inside Plate	Chrome	N/A
11883-01	Right	Inside Plate	Black Textured	N/A
11896-01	Right	Exterior Paddle	Black Textured	TM201-250
12039-12	Left	Exterior Paddle	Medium Gloss Black	TM211



030-0400 Paddle Handle

This flush mounted paddle was designed for entrance doors for the RV and specialty vehicles. It features remote pivot plate actuation and can be used in FMVSS 206 applications.

FEATURES/BENEFITS:

- Automotive styling
- Molded rubber gasket for flange of housing
- Flush mount surface

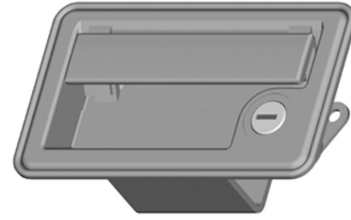
AVAILABLE:

- Non-locking or locking, keyed alike or differently with up to 50 different key codes
- KeyOne™
- Lock can be keyed to match other TriMark door products with KeyOne™ Plus for a single-key system, keyed alike or provided non-locking



INSTALLATION:

- Either handed version can be installed in a wide range of locations in door—horizontal or vertical orientation
- Single nut mounting with mounting bracket



FINISH:

- Black powder coated
- Combination black powder coated housing chrome paddle
- All chrome

MATERIAL:

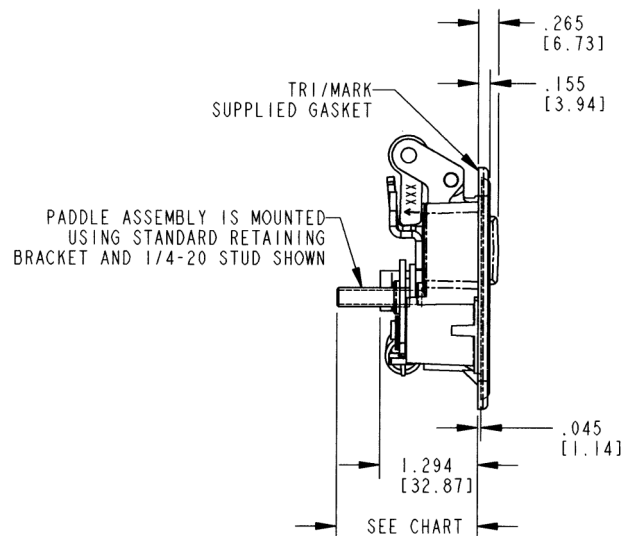
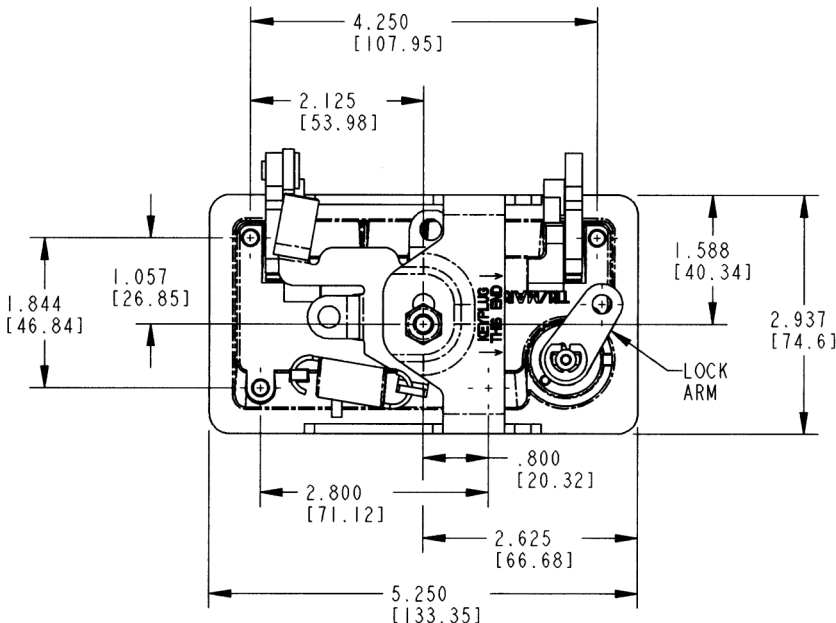
- Sturdy die cast zinc alloy paddle and housing
- Zinc plated clear chromate steel components

Meets FMVSS 206 locking requirements and may be used in FMVSS 206 applications pending TriMark application approval.

030-0400 Paddle Handle				
Part #	Handing	Finish	Key Code	Mounting Stud
11633-37	Right	Low Gloss Black	TM205-250	A
13438-04	Right	Low Gloss Black	TM205-250	A
13438-05	Right	Copper-Nickel-Chrome	TM211	B
14312-01	Right	Low Gloss Black	KeyOne™	A
14312-02	Right	Textured Black	KeyOne™	A
17189-01	Right	Low Gloss Black	KeyOne™ Plus	A
17191-01	Right	Low Gloss Black	KeyOne™ Plus	A

U.S. Patent No. 5,606,882

For more information visit
www.trimarkcorp.com



030-0425 Inside Bezel & Release Lever Assembly

DESIGNED FOR:

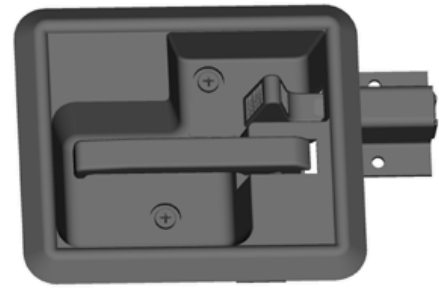
- Interior release and locking applications
- On or off-highway vehicle applications
- Light to medium duty recommended

FEATURES/BENEFITS:

- Built-in lock lever for added security
- Remote mounting provides versatility and mobility
- Bezel complies with FMVSS 302

AVAILABLE:

- Cutout for power door lock
- Non-locking bezel also available (vacuum formed)
- Right or left hand configurations



FINISH:

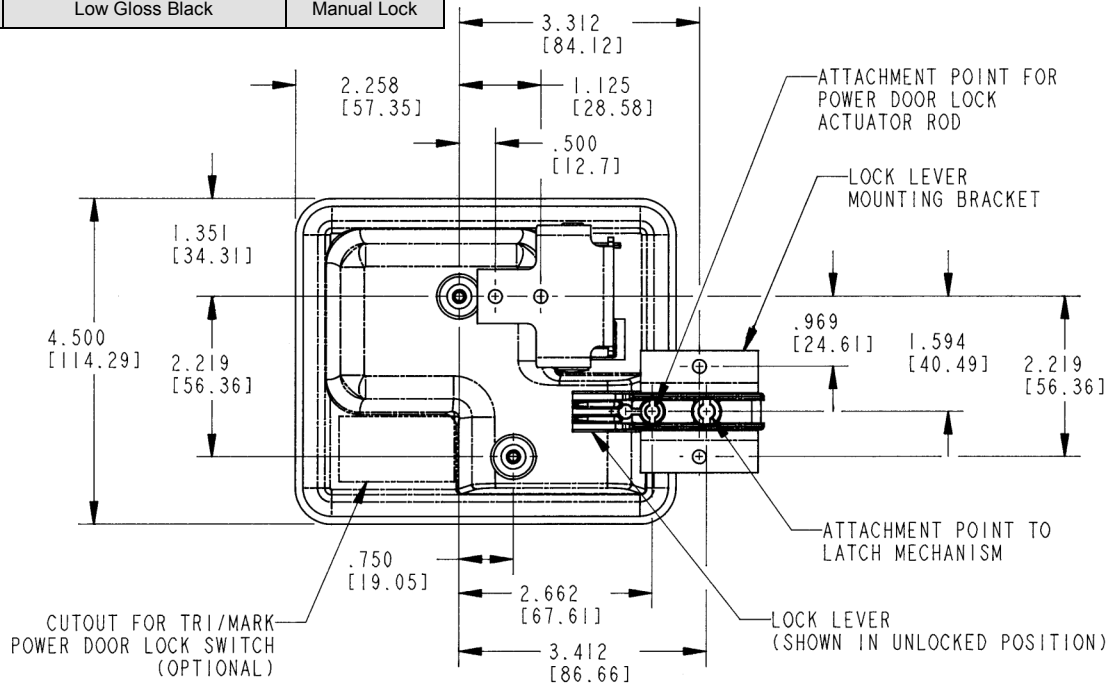
- Nylon injection molded bezel and lock lever with die cast zinc release lever

INSTALLATION:

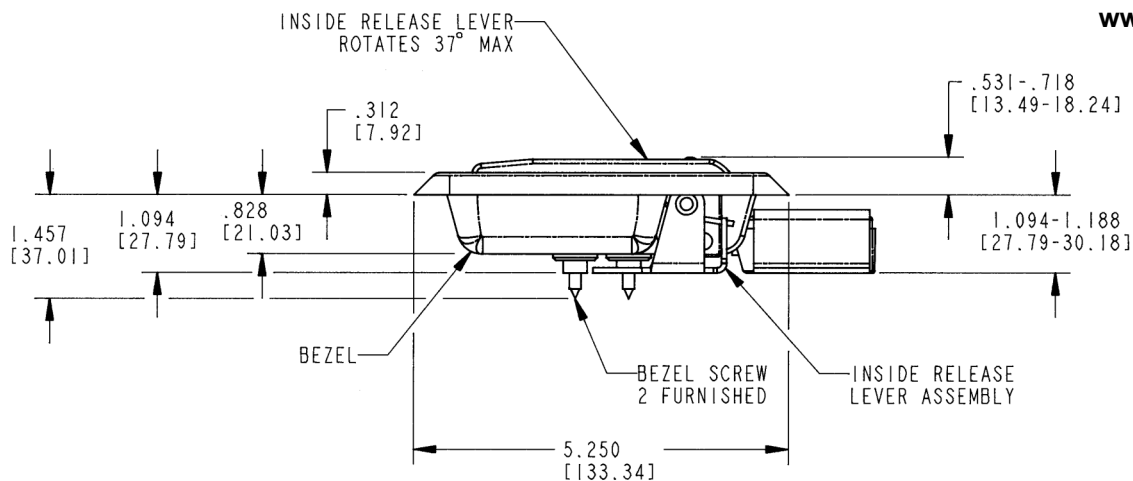
- Fasteners supplied for mounting inside bezel

Meets FMVSS 206 locking requirements and may be used in FMVSS 206 application pending TriMark application approval.

030-0425 Inside Bezel & Release Lever Assembly			
Part #	Handing	Finish (Release/Lock Lever)	Lock Option
11297-01	Left	Textured Black	Manual Lock
11297-35	Left	Copper-Nickel-Chrome	Manual Lock
11297-37	Left	Low Gloss Black	Manual Lock
11298-35	Right	Copper-Nickel-Chrome	Manual Lock
11298-37	Right	Low Gloss Black	Manual Lock



For more information visit
www.trimarkcorp.com



030-0450 Two-Point Paddle Handle

DESIGNED FOR:

- Compartment doors and entrance doors that require a 2-point latching mechanism

FEATURES/BENEFITS:

- Molded gasket for flange of housing provides resistance to water infiltration
- Formed tab on pivot plate allows for connection to an inside release (possibly 030-0425 Inside Bezel and Release Lever Assembly)
- Paddle is rigid when locked
- Automotive styling
- Inside lock option allows for use of inside lock (possibly 030-0425 Inside Bezel and Release Lever Assembly) and/or power lock actuation

AVAILABLE:

- Non-locking or locking, keyed alike or differently, with up to 50 different key codes
- Lock can be keyed to match other TriMark door products with KeyOne™ Plus for a single-key system, keyed alike or provided non-locking



FINISH:

- Black powder coated
- Chrome plated or combination black powder coated housing and chrome plated

MATERIAL:

- Sturdy zinc die cast alloy paddle and housing

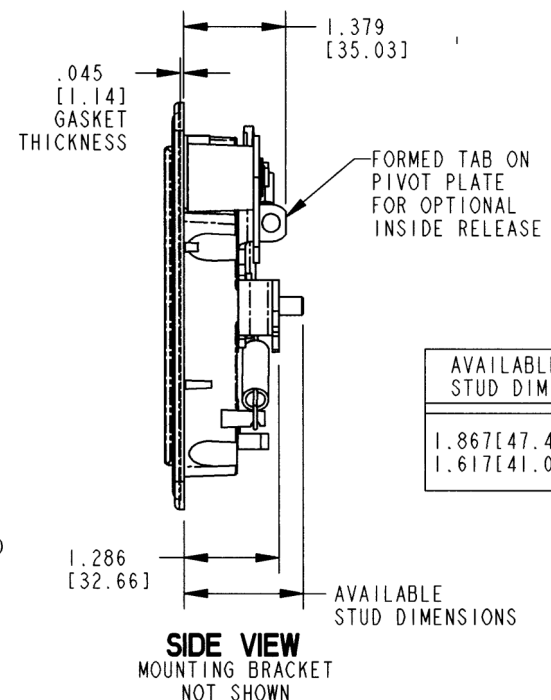
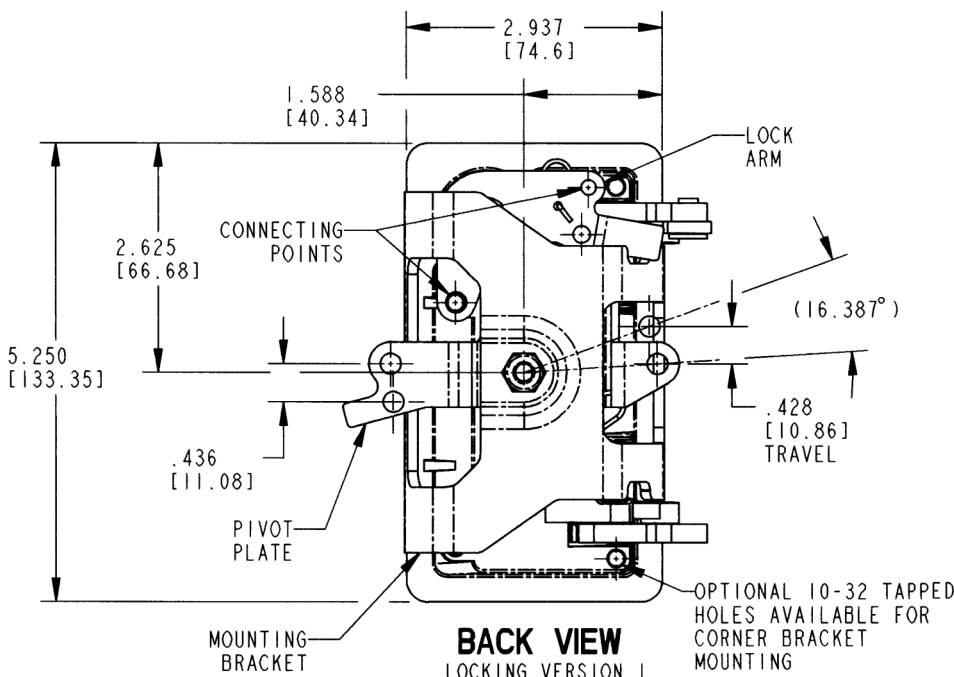
INSTALLATION:

- Either handed version can be installed in a wide range of location in door - either horizontal or vertical orientation
- Non-handed standard mounting bracket

Meets FMVSS 206 locking requirements and may be used in FMVSS 206 applications pending TriMark application approval.

030-0450 2-Point Paddle Handle				
Part #	Handing	Finish	Key Code	Mounting Stud
11812-01	Right	Low Gloss Black	RH028	B
11812-37	Right	Low Gloss Black	TM211	B
11813-01	Left	Low Gloss Black	RH028	B
11813-37	Left	Low Gloss Black	TM211	B
12429-37	Left	Low Gloss Black	TM211	B
12430-04	Right	Copper-Nickel-Nickel-Chrome	TM211	B
12455-37	Right	Low Gloss Black	Non-Locking	B
13525-01	Right	Low Gloss Black	KeyOne	B

For more information visit
www.trimarkcorp.com



AVAILABLE STUD DIM.
1.867 [47.42]
1.617 [41.07]

030-0900 Motor Home Entrance Door Hardware With Dead Bolt

Designed for motor home entrance doors, this product provides easy installation with through sandwich mounting. It features a large exterior paddle and an ergonomic "L" inside release and is adaptable for power locking.

- Motor home entrance doors with thickness of 1-1/2" (38.1mm) or 1-15/16" (49.2mm)
- Door seal pressures of 25 lbs (11 kg) or less for ease of function and maximum life (not to exceed 50 lbs [23 kg])
- Right hand applications
- Door weights up to 75 lbs (34 kg)

FEATURES/BENEFITS:

- Automotive style latch mechanism
- Smooth opening/closing action
- Positive latching
- Paddle can be locked before door is shut
- Paddle is rigid when locked
- Automotive styling
- Comfortable finger access
- Inside handle for easy closing
- Adaptable for power door lock actuator
- Built-in dead bolt eliminates the need for an add-on residential type dead bolt
- Dead bolt locks into the fully extended position for true dead bolt functioning

AVAILABLE:

- Master keyed passage lock key cylinder
- Non-master keyed dead bolt
- Gasket (not included)
- Lock can be keyed to match other TriMark door products with KeyOne™ Plus for a single-key system, keyed alike or provided non-locking



FINISH:

- Black powder coated
- Chrome plated
- Interior release: black powder coat, or white

MATERIAL:

- Housing, inside plates, paddles, and certain lock actuating components: die cast zinc alloy
- Internal latch components: heat treated, smooth edge stamped steel
- Springs: non-corrosive stainless steel
- Case halves: high strength steel

INSTALLATION:

- #8-32 UNC mounting screws (not included). Recommended torque 13 in/lbs (1.4 N-m)
- Sandwich mount installation does not require any linkage rods

Meets FMVSS 206 load requirements and may be used in FMVSS 206 applications pending approval.

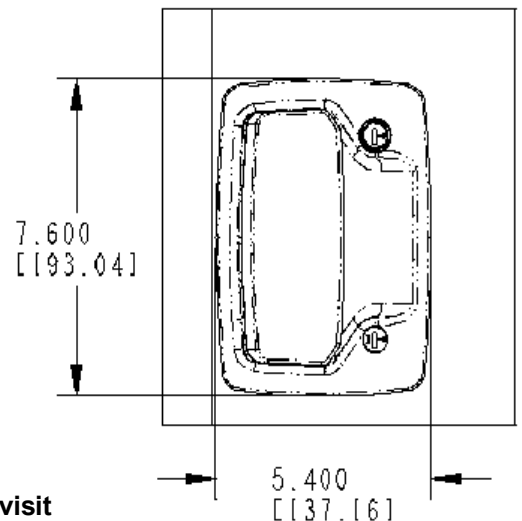
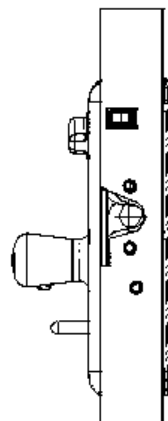
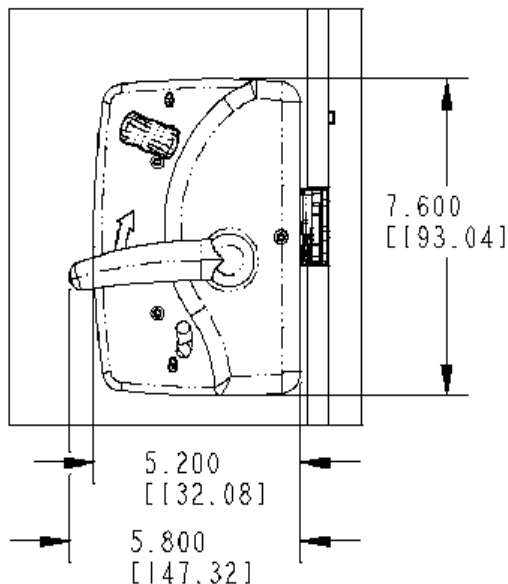
U.S. Patent No. 4,736,972 & 5,127,686

Canadian Patent No. 2045831

Design Patents: D339,049, D339,050, D529,367



030-0900 Motor Home Entrance Door Hardware With Dead Bolt				
Part #	Description	Finish	Main Lock Key Code	Dead Bolt Key Code
17217-02	Exterior Paddle	Low Gloss Black	TM205-250	Tri001-098
21397-01	Inside Handle	Colonial White	N/A	N/A
13530-01	Exterior Paddle	Low Gloss Black	KeyOne	Tri001-098
17217-01	Exterior Paddle	Low Gloss Black	KeyOne Plus	2141-2240



For more information visit
www.trimarkcorp.com

030-1000 / 030-1050 Motor Home Entrance Door Hardware

Designed for motor home entrance doors, this product provides easy installation with a through sandwich mounting. It features a reliable direct release rotary latch and is compliant to FMVSS 206. The 030-1050 includes a built-in dead bolt for additional security.

- Motor home entrance doors with thickness of 1.390" (35.3mm) to 1.600" (40.6mm). (Different inside plates are required to facilitate range of door thicknesses. Please identify when inquiring.)
- Fifth-wheel trailers, pull-type trailers and slide-in campers
- Applications requiring resistance to water and dirt infiltration
- Door seal pressures of 25 lbs. (11 kg) or less for ease of function and maximum life
- Right hand door applications

FEATURES/BENEFITS:

- Paddle can be locked before door is shut
- Paddle is rigid when locked
- Automotive styling
- Comfortable finger access
- Inside assist for easy closing
- Serviceable shuttered key cylinder
- Built-in dead bolt eliminates the need for an add-on residential type dead bolt
- Dead bolt locks into the fully extended position for true dead bolt functioning (030-1050)

AVAILABLE:

- With optional built-in dead bolt (030-1050)
- Master keyed paddle keycylinder. Non-master keyed dead bolt

MATERIAL:

- Housing, inside plates, paddles, and certain lock actuating components: die cast zinc alloy

FINISH:

- Black powder coated
- Copper-nickel-chrome
- White powder coated



INSTALLATION

- #10-24 thread forming mounting fasteners (not included). Recommended torque 40-50 in-lbs
- Supplied with gasket already applied under recess in housing flange for simple, clean installation
- Sandwich mount installation does not require any linkage rods

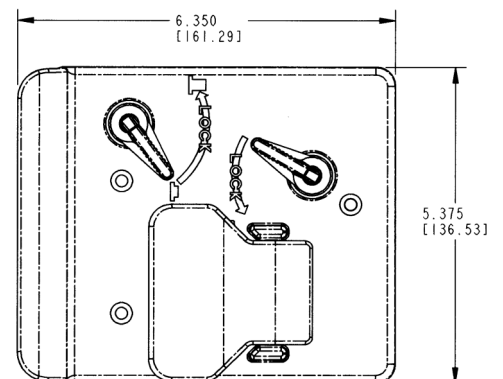
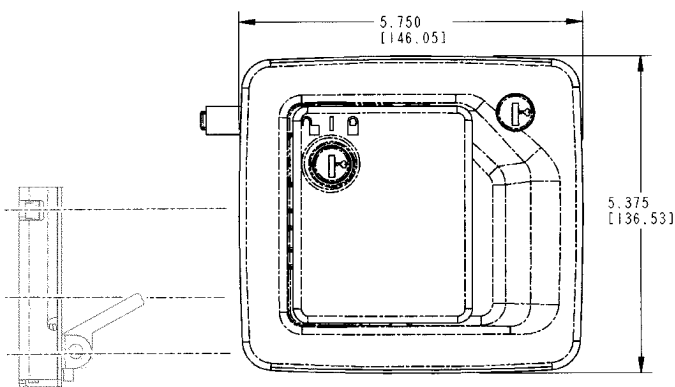
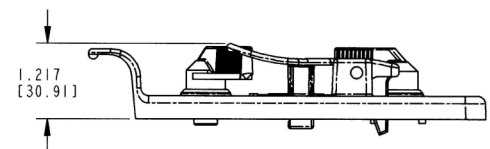
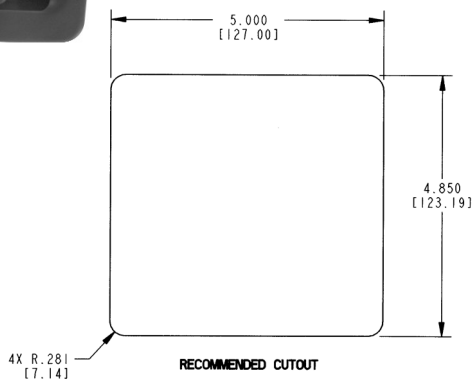
U.S. Patent No. 4,736,972

Meets FMVSS 206 load requirements and may be used in FMVSS 206 applications pending TriMark application approval.

030-1000 Motor Home Entrance Door Hardware				
Part #		Key Code	Finish	Door Thickness
12149-37	Inside Release	N/A	Low Gloss Black	1.440-1.520
12486-37	Inside Release	N/A	Low Gloss Black	1.520-1.590
13220-02	Exterior Paddle	TM205-250 MKF	Low Gloss Black	All
030-1050 With Dead Bolt				
12147-37	Inside Release	N/A	Low Gloss Black	1.440-1.520
12487-37	Inside Release	N/A	Low Gloss Black	1.520-1.590
13219-02	Exterior Paddle	TM205-250 MKF	Low Gloss Black	All
13219-03	Exterior Paddle	TM205-250 MKF	Volkswagon White	All



030-1050 With Dead Bolt Option



030-1100 Two-Point Paddle Handle

This compartment latch was designed for light to medium duty storage and compartment doors. This non-handed product features a 2-point bellcrank for remote actuation.

- Cross bed tool boxes
- Truck topper and lift gate doors

FEATURES/BENEFITS:

- Water resistant
- Sleek automotive styling
- Paddle is rigid when locked
- Single point or two-point actuation
- Flush mount -- contoured surface
- Corrosion resistant
- Non-handed design

AVAILABLE:

- Non-locking or locking with shuttered keyway
- 2-point actuation
- Keyed alike
- Keyed random. 50 key codes -- TM901 -TM950
- KeyOne™
- Lock can be keyed to match other TriMark door products with KeyOne™ Plus for a single-key system, keyed alike or provided non-locking
- With rod collars



MATERIAL:

- Housing and paddle: die cast zinc alloy
- All steel parts (axles, pivot arm, pivot plate, lock cam): zinc plate clear chromate for corrosion resistance

INSTALLATION:

- Supplied with gasket already applied under recess in housing flange for simple, clean installation
- Single point #10-24 UNC mounting fastener
- Optional mounting brackets (please inquire)

Rod collars are not intended or recommended for use in applications that require FMVSS 206 compliance or applications that have heavy or extreme Striker Bolt Loads (> 25 lbs./ 11 kg.) and/or high to extreme usage (> 100,000 door cycles/life).

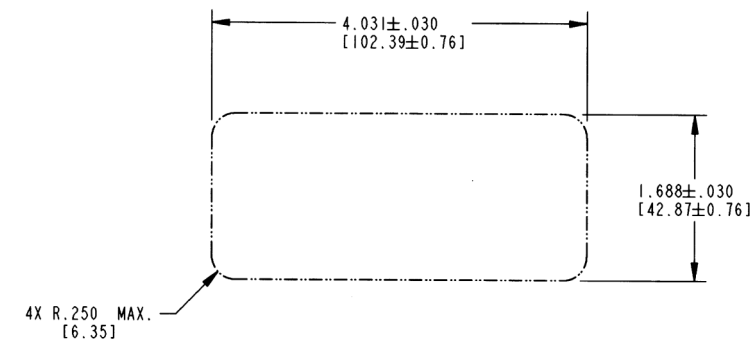
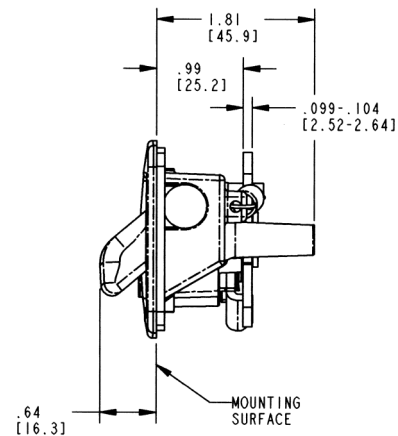
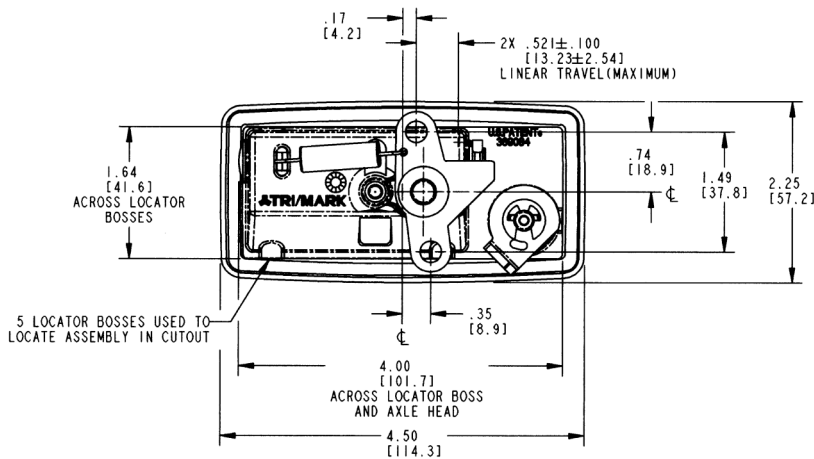
U.S. Patent No. 369,084



FINISH:

- Black powder coated

For more information visit www.trimarkcorp.com



030-1100 2-Point Paddle Handle			
Part #	Finish	Key Code	Rod Collar
12395-02	Low Gloss Black	TM904	No
12395-37	Low Gloss Black	TM901-950	No
13559-01	Low Gloss Black	Non-Locking	No
14061-01	Low Gloss Black	TM904	2 Collars
14061-02	Low Gloss Black	TM901-950	2 Collars
14317-02	Low Gloss Black	Non-Locking	2 Collars

030-1125 Paddle Handle With Hook


This compartment latch was designed for light to medium duty storage and compartment doors. This non-handed product features a pivoting hook latching design.

- Cross bed tool boxes
- Truck topper and lift gate doors
- Most storage, compartment, and access doors with single or 2-point latch system

FEATURES/BENEFITS:

- Water resistant
- Sleek automotive styling
- Paddle is rigid when locked
- Shuttered key cylinder
- Keying security
- Flush mount -- contoured surface
- Corrosion resistant
- Slam action -- hook operates independent of paddle

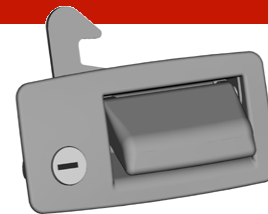
AVAILABLE:

- Non-locking or locking with shuttered keyway
- Keyed alike or keyed random. 50 key codes -TM901-TM950
- Lock can be keyed to match other TriMark  door products with KeyOne™ Plus for a single-key system, keyed alike or provided non-locking
- Slam action version
- With rod collars

FINISH:

- Black powder coated

For more information visit
www.trimarkcorp.com



MATERIAL:

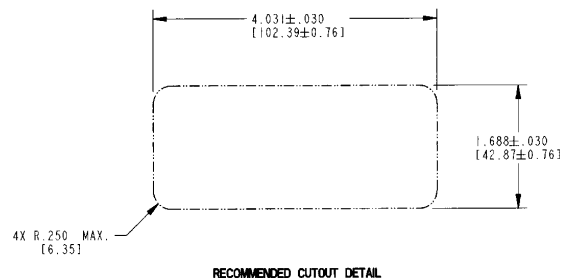
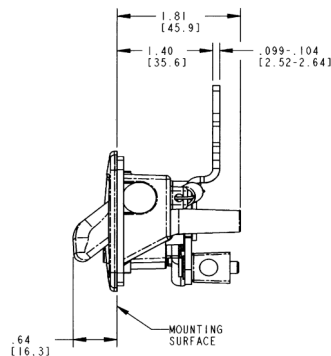
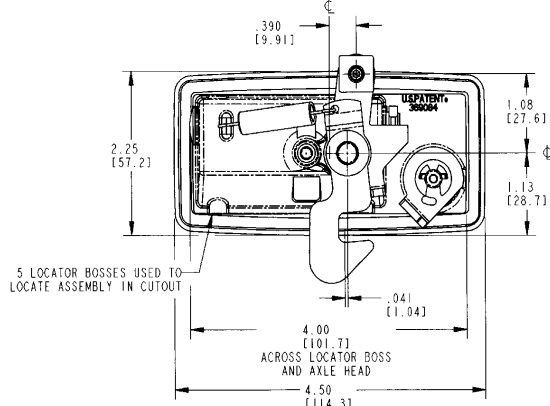
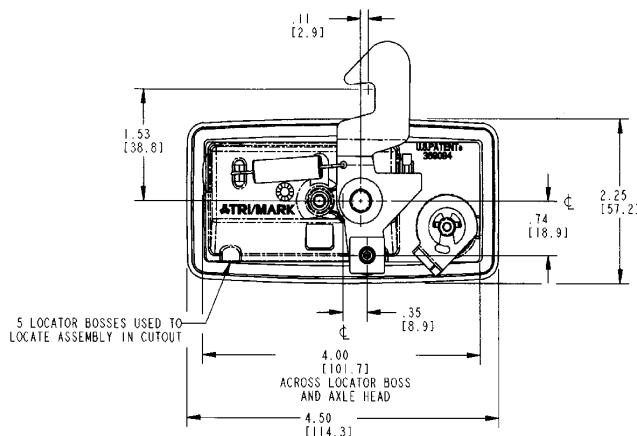
- Housing and paddle: die cast zinc alloy
- All steel parts (axles, pivot arm, pivot plate, lock cam): cold rolled steel with zinc plate clear chromate for corrosion resistance

INSTALLATION:

- Supplied with gasket already applied under recess in housing flange for simple, clean installation
- Blind mounting with one #10-24 UNC mounting fastener
- Optional mounting brackets (please inquire)
- Optional hook designs (13980-01 please inquire)

*Meets FMVSS 206 locking requirements and may be used in FMVSS 206 applications pending TriMark application approval.


030-1125 Paddle Handle With Hook				
Part #	Finish	Key Code	Rod Collar	Version
12710-01	Low Gloss Black	TM901-950	Yes (2)	A
12710-02	Low Gloss Black	TM904	Yes (2)	A
12710-03	Low Gloss Black	TM901-950	No	A
13968-01	Low Gloss Black	Non-Locking	Yes (2)	B
13969-01	Low Gloss Black	Non-Locking	Yes (2)	B
13979-01	Low Gloss Black	Non-Locking	Yes (1)	A
13979-02	Low Gloss Black	Non-Locking	No	A



030-1400 Paddle Handle

This flush mounted paddle is a redesign of our 030-0400 paddle handle for entrance doors on RV and specialty vehicles. Containing the same proven mechanical details as previous with a modernized look, it can be used in FMVSS 206 applications and features a remote pivot plate and lock cam actuation.

AVAILABLE:

- Lock can be keyed to match other TriMark  door products with KeyOne™ Plus for a single-key system, keyed alike or provided non-locking
- Several pivot plate options are available to suit a wide variety of applications

MATERIAL:

- Sturdy zinc die cast alloy housing and paddle
- Steel components: zinc plated, mild steel

FINISH:

- Standard black powder coated, buffed copper-nickel-nickel-chrome plated or combination black powder coated housing and buffed chrome paddle

INSTALLATION:

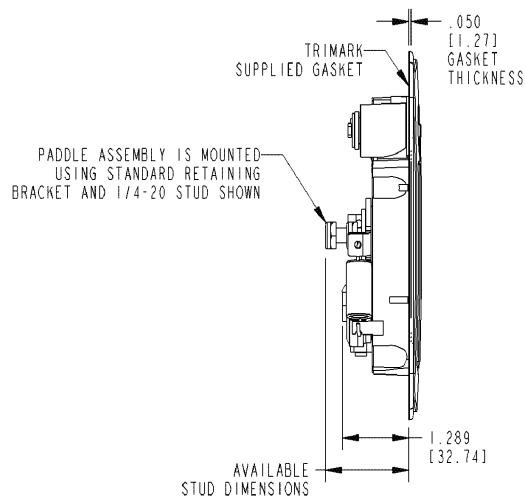
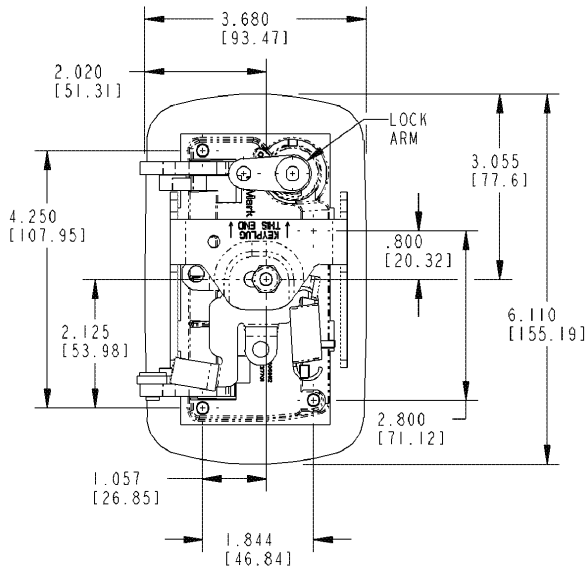
- Handle is easy to install with supplied single 1/4-20 UNC nut and mounting bracket (Mounting torque not to exceed 30 in-lbs [3.39N-m])
- Either handed version can be installed in a wide range of locations in both horizontal or vertical orientations (left hand shown)
- Retrofits with most 030-0400 flush paddle handles

Meets FMVSS 206 locking requirements and may be used in FMVSS 206 applications pending TriMark application approval.

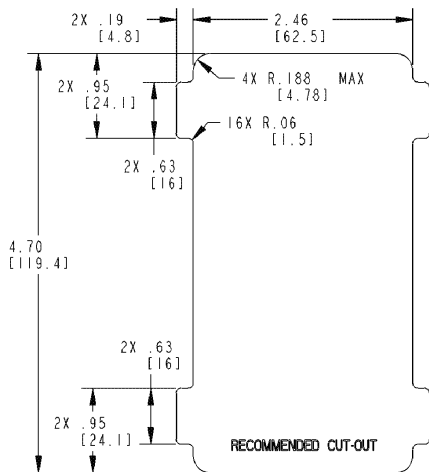
U.S. Patent No. 5,606,882
Design Patent No. D537,701

030-1400 Paddle Handle				
Part #	Handing	Finish	Key Code	Mounting Stud
22668-02	Right	Low Gloss Black	Non-locking	Short Stud with Bracket

For more information visit
www.trimarkcorp.com



AVAILABLE STUD DIM.
1.862 [47.29]
1.612 [40.94]



SCALE 1.000



030-1425 Paddle Handle

This redesigned product functions as a remote inside release and features a built-in lock lever and improved zinc die cast bezel for durability and ease of installation. It is also available in non-locking and power locking versions.

- Remote interior release and locking applications for on or off-highway
- Light to medium duty recommended
- Use with TriMark latch/logic mechanisms

FEATURES/BENEFITS:

- Offers modern automotive styling
- Built-in lock lever for added security
- Remote mounting provides versatility and flexibility

AVAILABLE:

- Right or left hand configurations (right hand shown)
- Cutout for power door lock
- Non-locking bezel also available
- As a complete assembly or separate components for application flexibility

030-1425 Inside Bezel and Release Lever Assembly			
Part #	Handing	Finish	Key Code
21430-02	Left	Low Gloss Black	Manual Lock



MATERIAL:

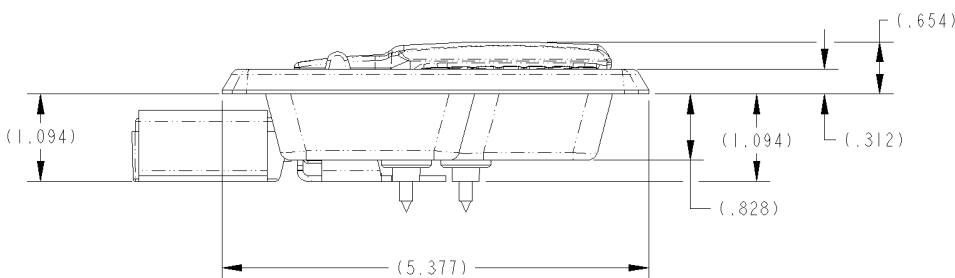
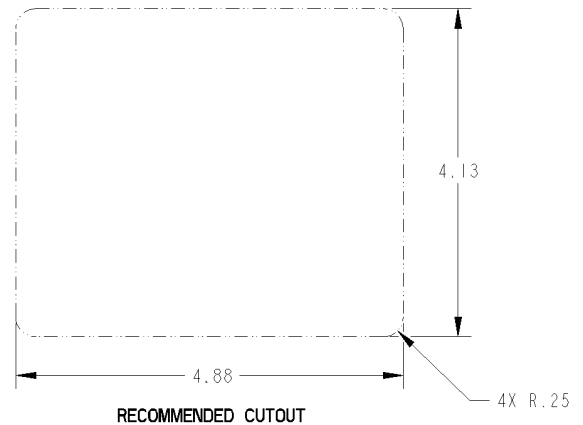
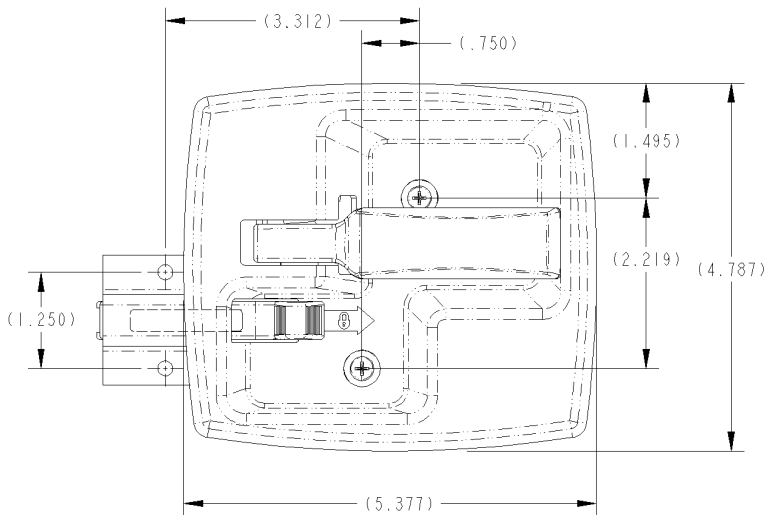
- Bezel and release lever die cast zinc alloy
- Lock lever -- engineered plastic
- Stamped steel mounting brackets

INSTALLATION:

- Fasteners supplied for mounting inside bezel

Meets FMVSS 206 load requirements and may be used in FMVSS 206 application pending TriMark application approval.

Patents Pending



For more information visit
www.trimarkcorp.com

030-1450 2-Point Paddle Handle

This flush mounted paddle is a redesign of our 030-0450 paddle handle for compartment doors and entrance doors on RV and specialty vehicles. Containing the same proven mechanical details as previous with a modernized look, it can be used in FMVSS 206 applications, is power lockable and features 2-point remote pivot plate and lock cam actuation.

FEATURES/BENEFITS:

- Offers updated styling
- Paddle is rigid when locked
- Inside lock detail provides for multiple connection points for use of inside lock and/or powerlock actuation
- Molded rubber gasket for flange of housing provides resistance to water and dust infiltration

AVAILABLE:

- Lock can be keyed to match other TriMark door products with KeyOne™ Plus for a single-key system, keyed alike or provided non-locking
- Several 2-point pivot plate options are available to suit a wide variety of applications



INSTALLATION:

- Handle is easy to install with single ¼-20 UNC nut and supplied mounting bracket (Mounting torque not to exceed 30 in-lbs [3.39N-m])
- Either handed version can be installed in a wide range of locations in either horizontal or vertical orientations (left hand shown)
- Retrofits with most 030-0450 flush paddle handles

FINISH:

- Standard black powder coated, buffed copper-nickel-nickel-chrome plated or combination black powder coated housing and buffed chrome paddle

MATERIAL:

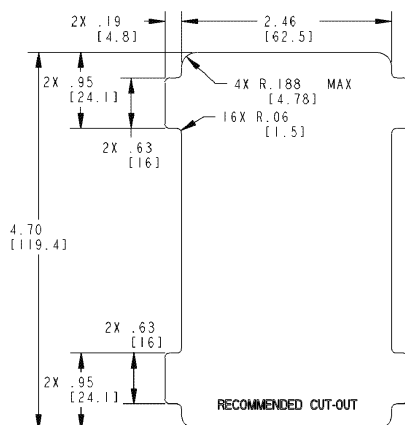
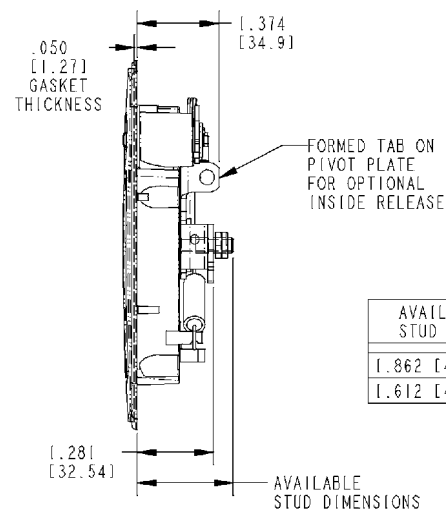
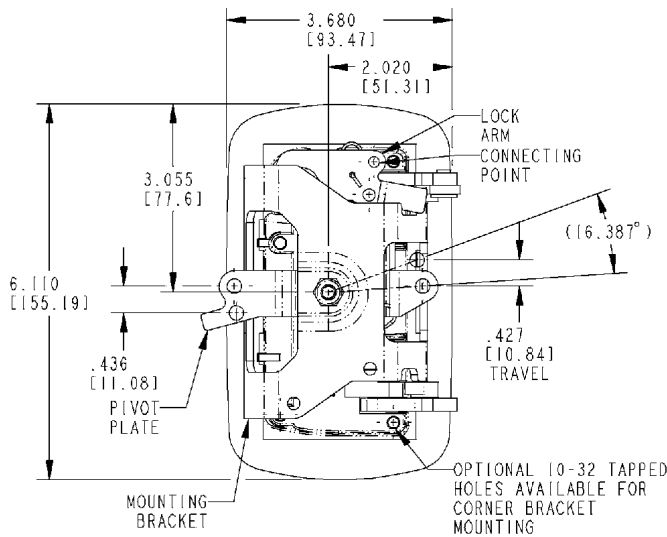
- Sturdy zinc die cast alloy housing and paddle
- Steel components: zinc plated, mild steel

Meets FMVSS 206 locking requirements and may be used in FMVSS 206 applications pending TriMark application approval.

U.S. Patent No. 5,606,882
Design Patent No. D537,701

030-1450 2-Point Paddle Handle				
Part #	Handing	Finish	Key Code	Mounting Stud
20599-04	Right	Low Gloss Black	2001	Short Stud with Bracket
22676-08	Right	Low Gloss and Copper-Nickel Nickel Chrome Handle	2001	Short Stud with Bracket

For more information visit
www.trimarkcorp.com



030-2000 Two-Point Free Float Baggage Lock

Designed for recreational vehicle baggage doors, this product is available in black or copper-nickel-chrome plated finish and features a two-point bellcrank for remote actuation and is power lockable.

- Two-point assembly ideally suited to fit 1.25" (31.8mm) and thicker foam core doors with linkage release efforts up to 7 lbs (3.2 kg) per linkage rod

FEATURES/BENEFITS:

- Foam gasket on flange of housing provides resistance to water infiltration
- Paddle free-floats when locked
- Modern automotive styling
- Adaptable to powerlock actuation
- Paddle can be locked before door is shut
- Large handle provides comfortable finger access and greater ease of operation (ergonomics)

AVAILABLE:

- Handle can be keyed to match other TriMark RV door products with KeyOne™ Plus for a single-key system, keyed alike or provided non-locking
- Linkage rods available for your specific applications
- In right or left hand configurations (right hand shown)



MATERIAL:

- Sturdy zinc die cast alloy paddle and housing
- All steel parts (axles, pivot arm, pivot plate, lock cam): cold rolled steel with zinc plate clear chromated for corrosion resistance

FINISH:

- Supplied black powder coated, this product can easily be painted over to match body colors
- Also available copper-nickel chrome plated

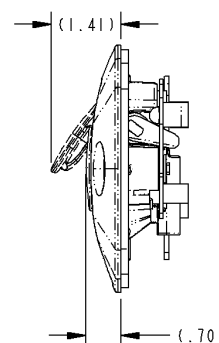
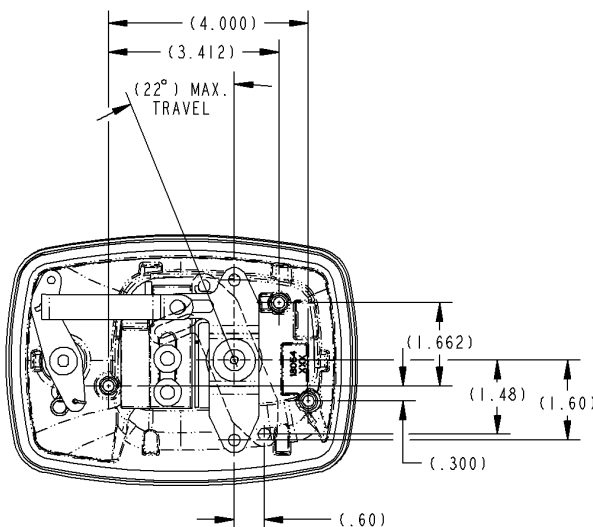
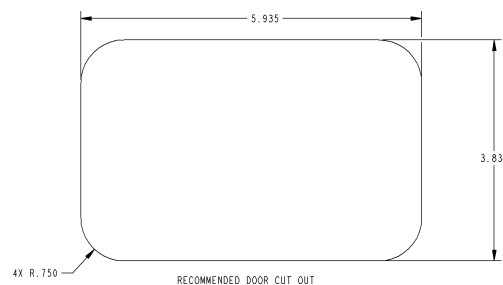
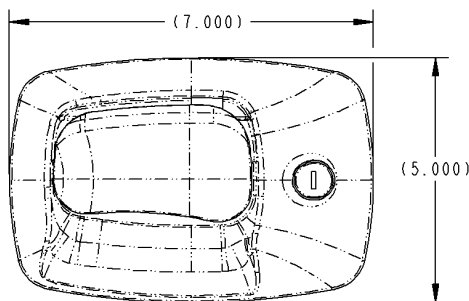
INSTALLATION:

- Easy drop-in installation
- Supplied with gasket already applied under recess in housing flange for simple, clean installation
- Mounts with (3) 1/4-20 UNC thread forming screws (not supplies)
- Optional mounting bracket and rod designed for easy installation of power actuation
- Either handed version can be installed in a wide range of locations in door — horizontal or vertical orientation

U.S. Patent No. 6,708,537

Design Patent No. D496,576

030-2000 2-Point Free Float Baggage Lock				
Part #	Handing	Finish	Key Code	Actuation
18054-01	Non-Handed	Low Gloss Black	KeyOne Plus	2-Point
18088-01	Non-Handed	Low Gloss Black	Non-Locking	2-Point



For more information visit www.trimarkcorp.com

040-0500 120mm Push Button Handle

This handle was specifically designed for off-highway vehicle application that require a surface mounted exterior push button handle with 120mm mounting pattern. It offers robust construction, ergonomic function and styling for a very cost effective price.

FEATURES/BENEFITS:

- Frictionless pushbutton seal
- Flow through self-cleaning design
- Readily adaptable to a variety of door thicknesses with an adjustable bolt and nut (option -CC)
- Full gloved hand clearance
- .625 (15.88mm) button travel
- Exterior push button surface mount
- Button locks rigid when locked
- Snap-in retainer side plates allow for alternate color and/or customer branding
- Retrofittable with most European push buttons
- Easy to operate (ergonomics)

AVAILABLE:

- Can be keyed alike with most single and reversible key systems
- With adjustable bolt
- In locking or non-locking configurations

MATERIAL:

- Handle: glass reinforced nylon
- Brass threaded inserts

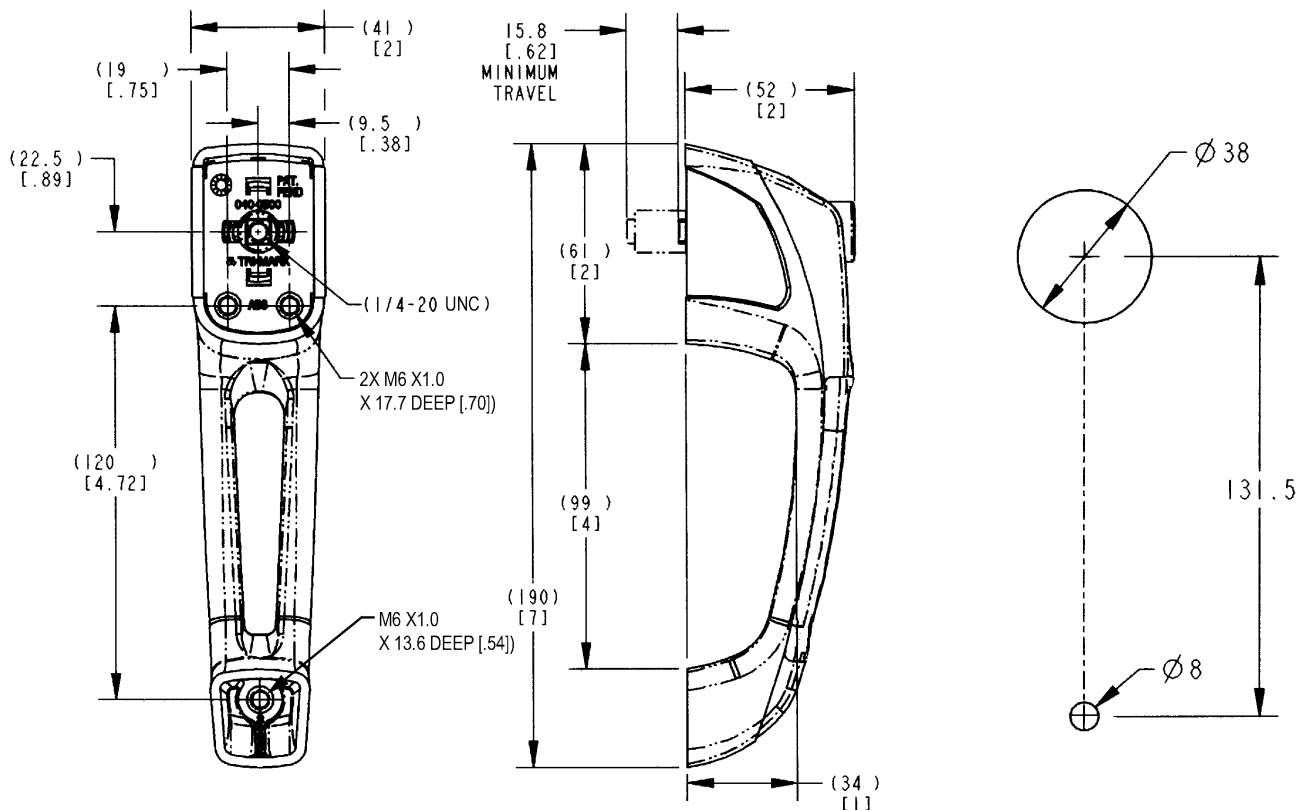
INSTALLATION:

- Installed with (3) M6x1 bolts (not included)
- Mounts against glass with only 2 holes
- Recommended mounting fastener torque to be 5.6-6.7 N-m (50-59 lbf-in)

U.S. Patent No. 6,240,751
Design Patent No. D435,779

For more information visit
www.trimarkcorp.com

040-0500 120mm Push Button Handle			
Part #	Handing	Finish	Key Code
18912-03	Non-handed	Gray	CH751



040-0550 163mm Push Button Handle

DESIGNED FOR:

- On or off-highway vehicle applications
- Push button handles requiring 163mm mounting

FEATURES/BENEFITS:

- Frictionless push button seal
- Flow through self-cleaning design
- Readily adaptable to a variety of door thicknesses with an adjustable bolt and nut (option -CC)
- Full gloved hand clearance
- .625 (15.88mm) button travel
- Exterior push button surface mount
- Button locks rigid when locked
- Snap-in retainer side plates allow for alternate color and/or customer branding
- Easy to operate (ergonomics)

AVAILABLE:

- Can be keyed alike with most single and reversible key systems
- With adjustable bolt
- In locking or non-locking configurations

INSTALLATION:

- Installed with (2) M8 x1.25 bolts (not included)
- Mounts against glass with only 2 holes
- Recommended mounting fastener torque to be 6.7-7.9 N-m (59-70 lbf-in)

MATERIAL:

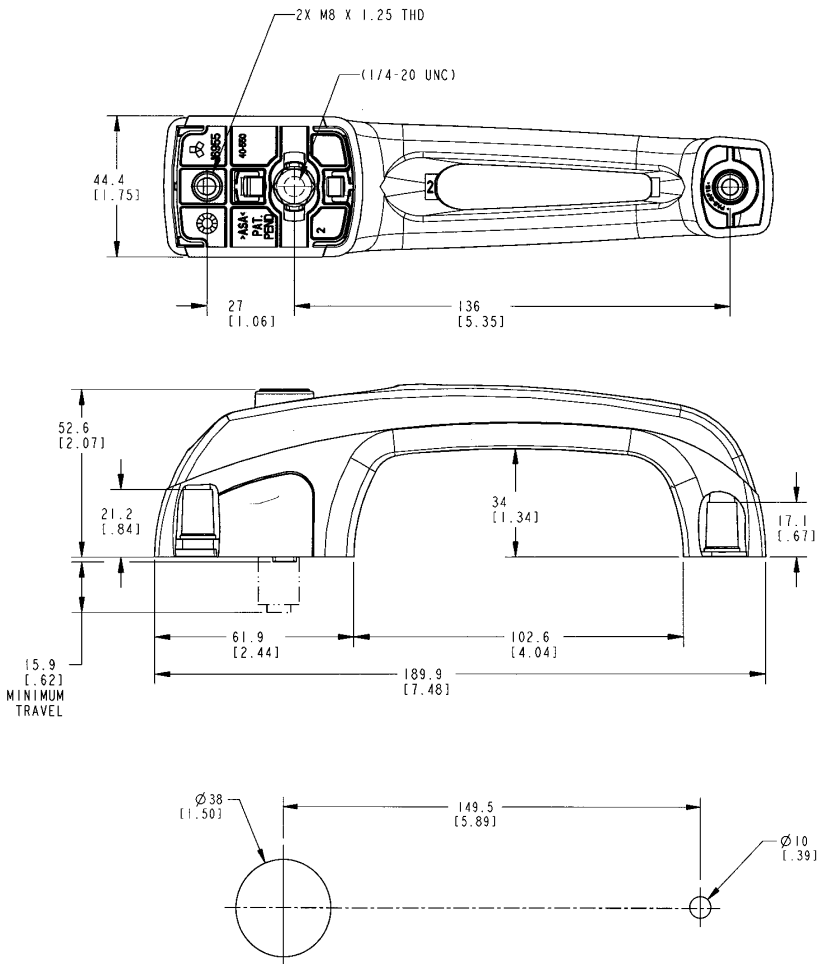
- Handle: glass reinforced nylon
- Brass threaded inserts

U.S. Patent No. 6,240,751

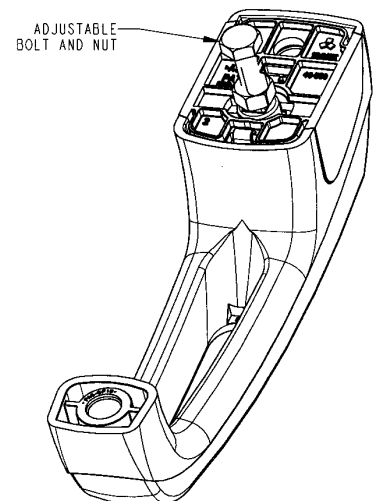
Design Patent Nos. D435,779 & D461,391



For more information visit
www.trimarkcorp.com



040-0550 163mm Push Button Handle			
Part #	Handing	Finish	Key Code
18914-02	Non-handed	Gray	TA183
18914-03	Non-handed	Gray	CH751
18915-01	Non-handed	Gray	TA001-010
18915-02	Non-handed	Gray	TA183
18916-01	Non-handed	Gray	Non-locking



040-0600 TriMount Push Button Handle

The 040-0600 TriMount Push Button Handle was specifically designed for off-highway vehicle applications that require a surface mounted exterior push button handle with 120mm or 163mm mounting pattern. It is retrofittable with most European push button handles and offers robust construction, ergonomic function and styling for a very cost effective price.

FEATURES/BENEFITS:

- Retrofittable with most European push button handles
- Universal mounting is available in 3 different mounting configurations: 2 bolt 120mm, 3 bolt 120mm and 2 bolt 163mm mounting
- Frictionless push button seal
- Readily adaptable to a variety of door thickness with an adjustable bolt and nut
- Full gloved hand clearance
- 15.88mm (.625) button travel
- Easy to operate (ergonomics)

MATERIAL:

- Handle: glass reinforced nylon
- Brass threaded inserts



AVAILABLE:

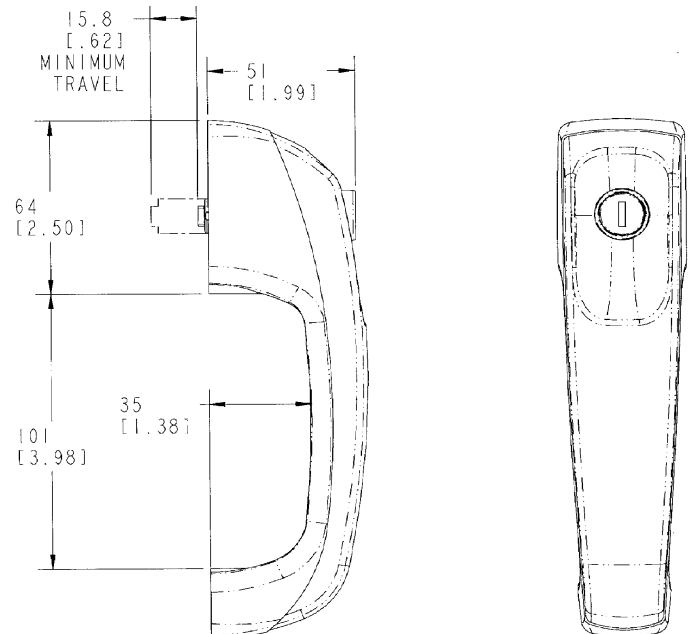
- Can be keyed alike with most single and reversible key systems or non-locking configurations
- Locked rigid or free-floating versions
- With bezels or gasket sets to facilitate mounting and provide resistance to water and dirt infiltration (sold separately)

INSTALLATION:

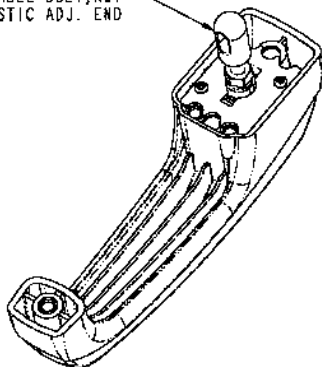
- Installed with (2 or 3) M6 x1.0 bolts (not included)
- Mounts against glass with only 2 holes
- Recommended mounting fastener torque to be 5.6-6.7 N-m (50-59 lbf-in)

Design Patent No. D461,391

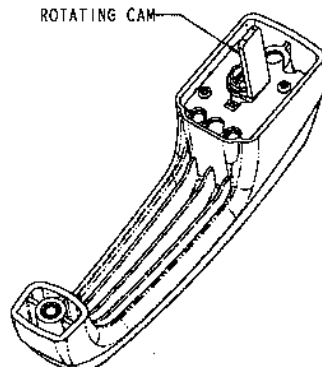
040-0600 TriMount Push Button Handle			
Mounting	Key codes	Locking	Drive Mechanism
163mm (2Hole)	Non-locking	Non-locking	None
120mm (2 hole)	CH751	Locking—Free Float	Adjustable Bolt
120mm (3 hole)	D250	Locked Rigid	Cam X 37.59 [1.480] lg.
	PK510		Cam X 42.59 [1.677] lg.
	14630 (Merit)		
	KA Rev TA 183		
	KR Rev TA001-010		



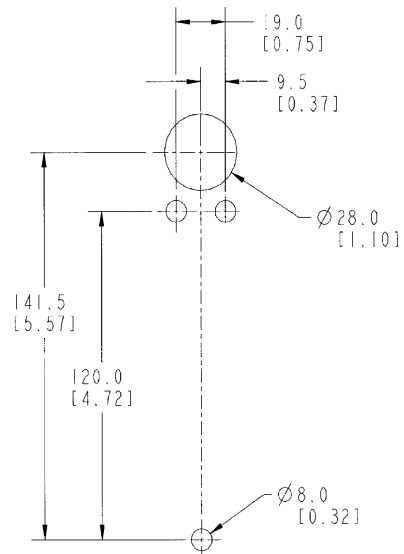
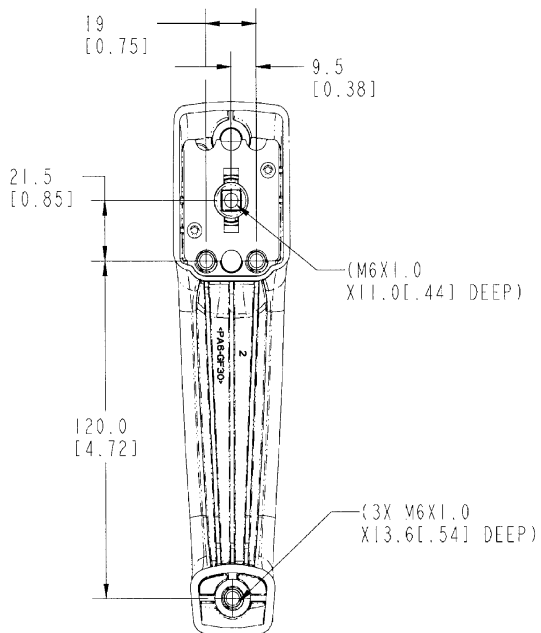
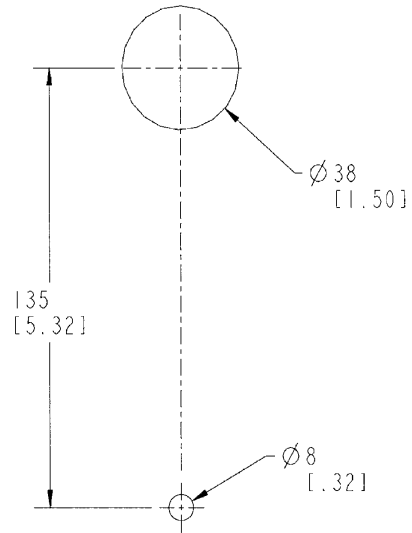
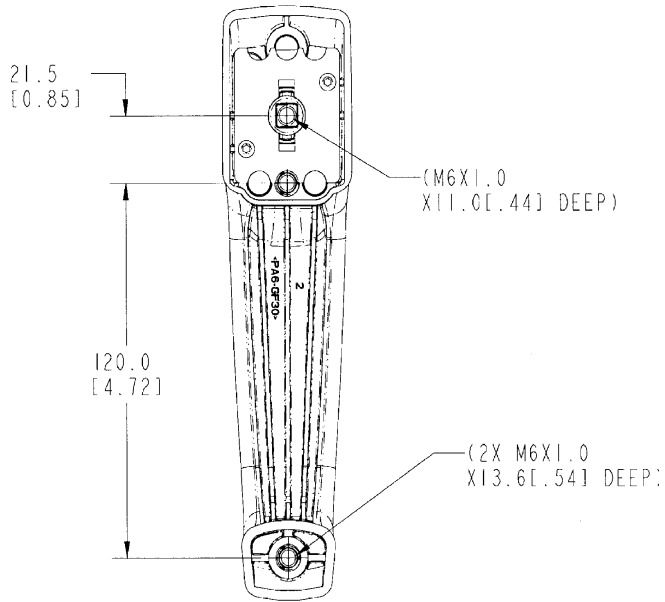
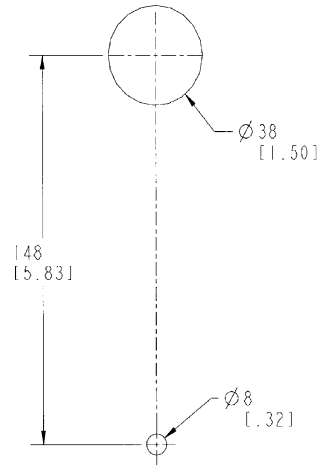
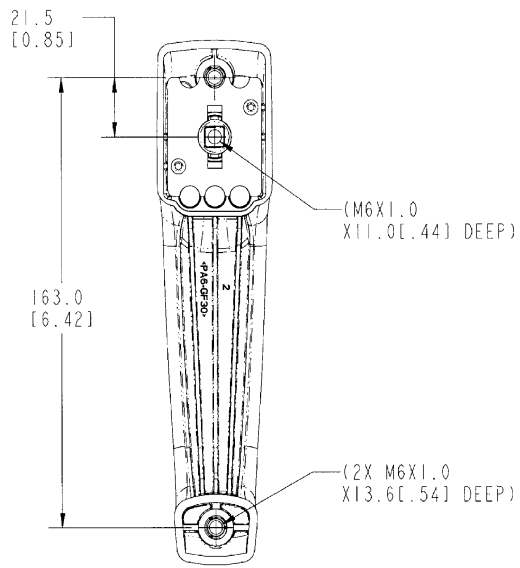
ADJUSTABLE BOLT, NUT AND PLASTIC ADJ. END



ROTATING CAM



For more information visit
www.trimarkcorp.com



050-0100 Two-Rotor Latch

This versatile two-rotor latch is designed for medium to heavy-duty applications for on or off-highway entrance doors, compartments and access panels. It features a variety of trip lever and mounting axles for ease of mounting and applications and is FMVSS 206 compliant.

- Door thicknesses of 1-7/8" (47.6mm) or greater
- Door weights of 50-200 lbs (23-91 kg)
- Door seal pressures of 50-150 lbs (23-68 kg) (suggested for best results)

AVAILABLE:

- In left or right hand configurations (right hand shown)
- With (4) 1/4-20 UNC or M6 x 1 threaded axles
- With trip lever options
- Straddle mount option

INSTALLATION:

- Four 1/4-20 UNC grade 5 or M6 x 1 class 8.8 or better fasteners are required (not included). Tighten to the fastener manufacturers' recommended torque value, however, do not exceed 120 in-lbs (13.3 N-m)
- Fastener mounting holes diameter should not exceed .281" (7.1mm)

FINISH:

- Zinc plated, clear chromate steel components

MATERIAL:

- Internal latch components: heat treated, smooth edge stamped steel
- Case halves: high strength steel
- Springs: non-corrosive stainless steel

INTERNAL LUBRICATION

- Oven-cured dry lubricant is applied at factory on all critical moving parts

Two position, double rotor latches comply with FMVSS 206 in primary and secondary latching positions when tested with approved TriMark FMVSS 206 compliant striker bolts in accordance with SAE J839.



For more information visit
www.trimarkcorp.com

050-0100 Two-Rotor Latch			
Part #	Handing	Mounting	Trip Lever
11471-16	Right	1/4-20 UNC	Straight
11879-01	Left	.286"	Straight
11945-16	Right	1/4-20 UNC	2-Point
12196-16	Left	M6 X 1.0	L-Shaped

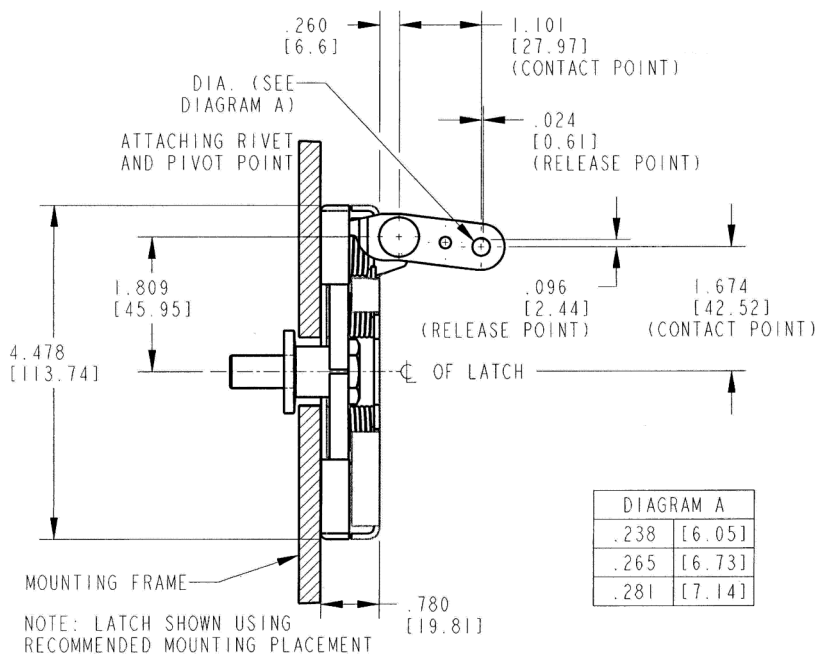
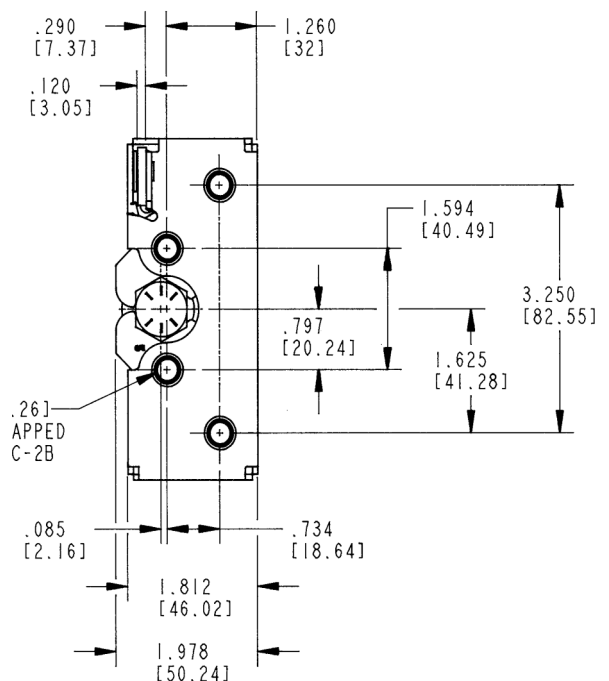


DIAGRAM A	
.238	[6.05]
.265	[6.73]
.281	[7.14]



050-0103 Two-Point Latch 2-Position Intertrip

DESIGNED FOR:

- Medium to heavy weight doors for on or off-highway applications requiring resistance to dust and vibration
- Door thicknesses of 1-7/8" (47.6mm) or greater
- Door weights of 50-200 lbs (23-91 kg)
- Door seal pressure of 50-150 lbs (23-68 kg) (suggested for best results)
- Visible surface installation or concealed inside installation
- Applications where it is desirable to have the release mechanism in line with the latch

FINISH:

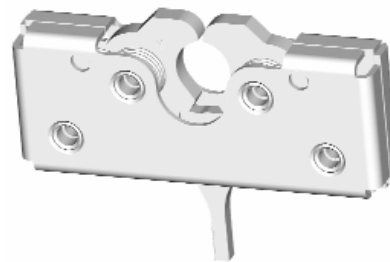
- Zinc plated, yellow chromate steel components

AVAILABLE:

- In left or right hand configurations
- With (4) 1/4-20 UNC, M6 X 1 threaded or .286 diameter "thru" axles
- With trip lever options

MATERIAL:

- Internal latch components: Heat treated, smooth edge stamped steel
- Case halves: High strength steel
- Springs: Non-corrosive stainless steel



INSTALLATION:

- Four 1/4-20 UNC grade 5 or M6 x 1 grade 8.8-type fasteners are required (not included). Tighten to the fastener manufacturers' recommended torque value, however, do not exceed 120 in-lbs (13.3 N-m)
- Fastener mounting hole diameter should not exceed .281 (7.1mm)

INTERNAL LUBRICATION:

- Oven-cured dry lubricant is applied at factory on all critical moving parts

Two position, double rotor latches comply with FMVSS 206 in primary and secondary latching positions when tested with approved TriMark FMVSS 206 compliant striker bolts in accordance with SAE J839.

050-0300 Single Rotor Latch

This compact single rotor latch is designed for light to medium applications for on or off highway compartment doors and access panels. It features a single or 2 position compact rotary and is available in a variety of trip levers and mounting axles for ease of mounting and applications

- Most storage, compartment and access doors
- Any application where finger or remote release is desired
- Windows

MATERIAL:

- Strike, rotor and rotor catch: heat treated, smooth edge stamped steel
- Case halves: zinc plated, mild steel components handing is available

AVAILABLE:

- Latch is non-handed, but trip lever handing is available
- With (2) 1/4-20 UNC or M6 x 1.0 threaded axles or .265 (6.7mm) diameter through axles

INSTALLATION:

- Two 1/4-20 UNC grade 5-type or M6 x 1.0 class 8.8 or better fasteners are required (not included)
- See Appendix for Latch and Striker Installation
- Tighten to the fastener manufacturers' recommended torque value, however, do not exceed 120 in-lbs (13.3 N-m)

INTERNAL LUBRICATION:

- Oven-cured dry lubricant is applied to catch and rotor

CAUTION: LATCH DOES NOT MEET FMVSS 206 LOAD REQUIREMENTS.



For more information visit
www.trimarkcorp.com

050-0300 Single Rotor Latch			
Part #	Trip Lever	Actuation	Mounting
11419-16	Shown	Finger Release	.265" (6.7mm)
12226-16	Right	Finger Release	.265" (6.7mm)
13281-01	Non-Handed	Straight	M6 X 1.0
14382-01	Non-Handed	Straight	.265" (6.7mm)

050-0200 Slimline Rotary Latch

This compact single rotor latch is designed for light to medium applications for on or off-highway entrance doors, compartments and access panels. It features a variety of trip levers and mounting axles for ease of mounting and applications and is FMVSS 206 compliant.

- Door weights up to 75 lbs (37 kg)
- Door seal pressures of 20-25 lbs (9-11 kg) recommended for best results (not to exceed 50 lbs [23 kg])
- Visible surface installation or concealed installation

AVAILABLE:

- Left or right hand configurations (left hand shown)
- With standard .265 diameter "thru" axles as shown or 1/4-20 UNC threaded axles (optional) or M6 x 1.0 threaded axles

FINISH:

- Zinc plated, clear chromate steel components
- Stainless steel

MATERIAL:

- Internal latch components: heat treated, smooth edge stamped steel
- Springs: non-corrosive stainless steel
- Case halves: high strength steel



INSTALLATION:

- Three 1/4-20 UNC grade 5-type or M6 x 1 class 8.8 or better fasteners are recommended
- Vertical mounting with support ramp at top is required for proper alignment and subsequent engagement of locking pawl and striker bolt
- Tighten to the fastener manufacturers' recommended torque value, however, do not exceed 120 in-lbs. (13.3 N-m)

INTERNAL LUBRICATION:

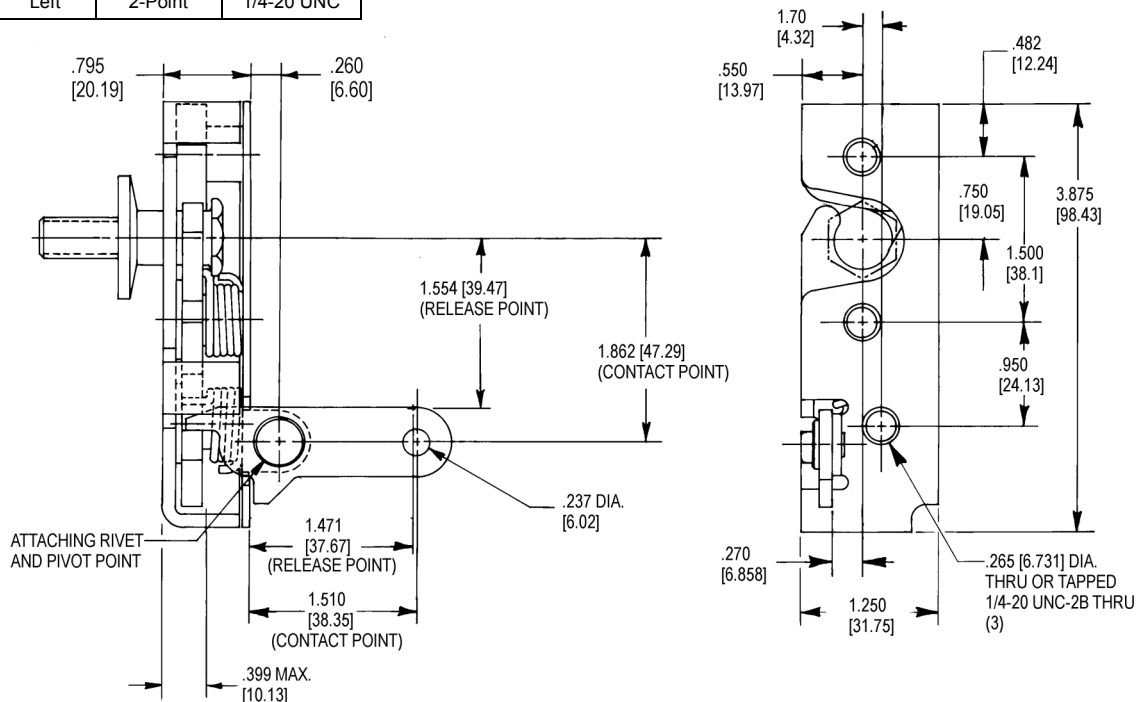
- Oven-cured dry lubricant is applied on all critical moving parts

U.S. Patent No. 7,156,430

U.S. Patent No. 7,320,488

Two position rotor latches comply with FMVSS 206 in primary and secondary latching positions when tested with approved TriMark striker bolts in accordance with SAE J839.

050-0200 Slimline Rotary Latch			
Part #	Handing	Actuation	Mounting
11189-16	Right	Straight	.265" (6.7mm)
11190-16	Left	Straight	.265" (6.7mm)
11656-16	Right	2-Point	1/4-20 UNC
11657-16	Left	2-Point	1/4-20 UNC
11664-16	Left	2-Point	.265" (6.7mm)
11665-16	Right	2-Point	.265" (6.7mm)
14047-01	Right	2-Point	1/4-20 UNC
14048-01	Left	2-Point	1/4-20 UNC



For more information visit

www.trimarkcorp.com

050-0250 Single Rotor Latch & Linkage Assembly

This latch and linkage system is intended for occupant or exit/entry doors for recreational vehicles including motor homes and travel trailers and specialty vehicles including ambulance, fire/rescue and off-highway vehicles (light duty) that require compliance to FMVSS 206 standards. The flexible design allows for internal or external door mounting and provides automotive logic function with remote activating handles.

- Door weights up to 75 lbs (34 kg)
- Door seal pressures of 20-25 lbs (9-11 kg) recommended for best results (not to exceed 50 lbs [23 kg])

AVAILABLE:

- Right or left hand configurations (left hand shown)
- Spacer plate is available to facilitate interior door mounting
- Improved versions are available with increased mechanical advantage that reduce the release efforts at the exterior and interior handles. These versions are retrofittable with previous part numbers but may require connecting rod revisions, due to the increased length of the linkage and slightly revised rod connections points.

FINISH:

- Zinc plated clear chromate steel components

MATERIAL:

- Internal latch components: heat treated, smooth edge stamped steel
- Springs: non-corrosive stainless steel
- Case halves: high strength steel



Latch shown with optional state sensing. State sensing option adds an electrical switch to the latch to sense the door open and door closed state.

INSTALLATION:

- Can be mounted inside or outside of door edge
- Three 1/4-20 UNC grade 5-type or better fasteners are recommended (not included). Tighten to the manufacturers' recommended torque value, however, do not exceed 120 in-lbs (13.3 N-m)

INTERNAL LUBRICATION:

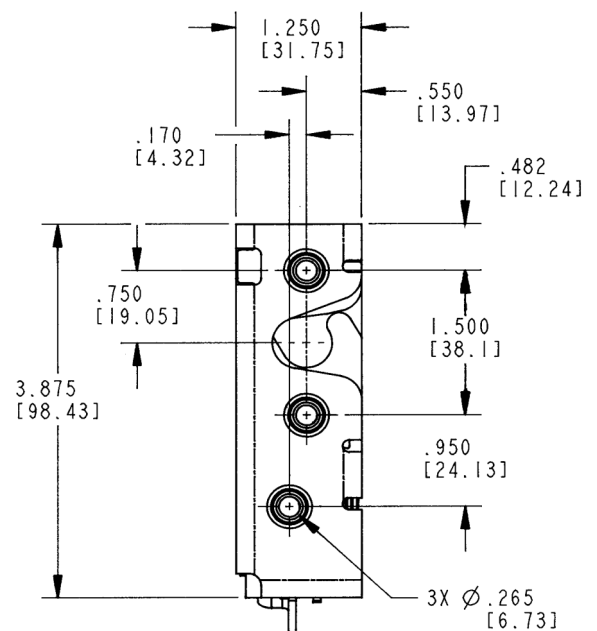
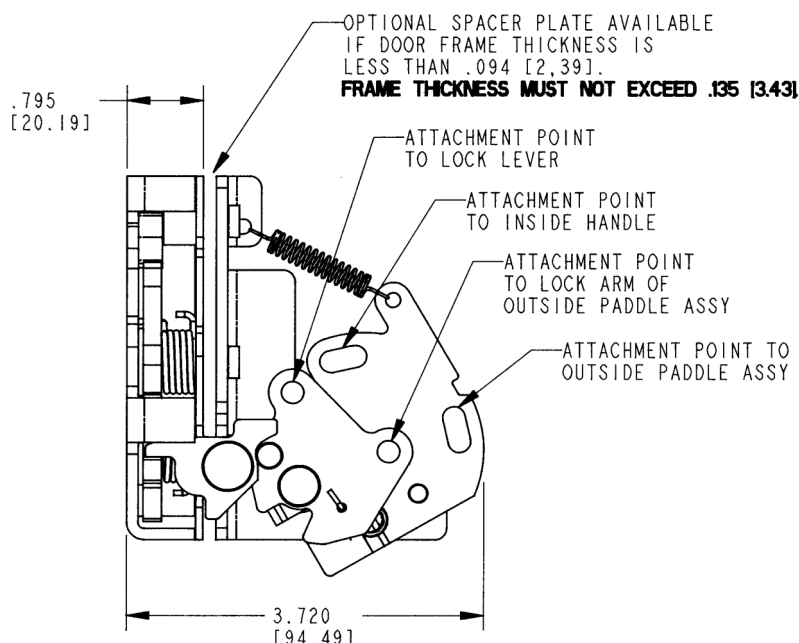
- Oven-cured dry lubricant is applied on all critical moving parts

Latch and linkage complies with FMVSS 206 when tested with approved TriMark Striker Bolts in accordance with SAE J839.

050-0250 Single Rotor Latch & Linkage Assembly			
Part #	Handing	Mounting	
11342-16	Right	1/4-20 UNC	Locking
11344-16	Left	1/4-20 UNC	Locking
12041-16	Right	1/4-20 UNC	Non-Locking
12042-16	Left	1/4-20 UNC	Non-Locking

Patent Pending

For more information visit
www.trimarkcorp.com



050-0400 Floating Striker Single Rotor Latch

This robust single rotor latch is designed for medium to heavy-duty applications for on or off highway entrance doors, compartments and access panels. It features a vertical clearance rotor for high vibration applications and is available in a variety of trip levers and mounting axles for ease of mounting and applications and is FMVSS 206 compliant.

- Door thicknesses of 1-7/8" (47.6mm) or greater
- Door weights of 50-200 lbs (23-91 kg)
- Door seal pressures of up to 150 lbs (68 kg) (< 50 lbs (23 kg) suggested for best results)
- Visible surface installation or concealed inside installation

FEATURES/BENEFITS:

- Allows for $\pm .143$ (3.63) strike travel from .789
- Ideal for applications with high vibration loading and where controlled travel between the latch and strike is characteristic of the application
- Single-position rotary style latching

INSTALLATION:

- Four 1/4-20 UNC grade 5 or M6 x 1 class 8.8-type fasteners are required (not included). Tighten to the fastener manufacturers' recommended torque value, however, do not exceed 120 in-lbs. (13 N-m)
- Fastener mounting holes diameter should not exceed .281 (7.1mm)

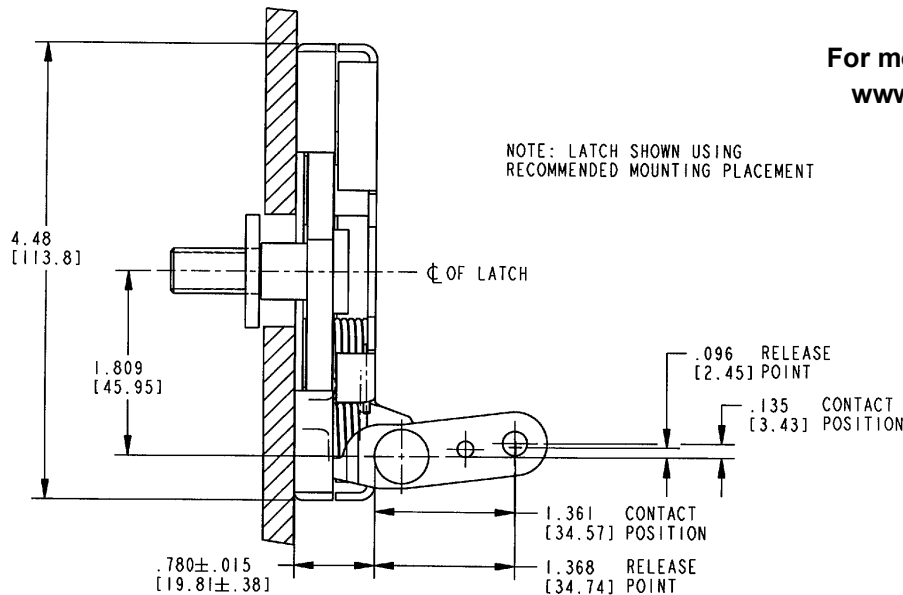
AVAILABLE:

- In left or right hand configurations (right hand shown)
- With (4) 1/4-20 UNC, M6 X 1 threaded axles or .286 (7.3mm) through axles
- With trip lever options

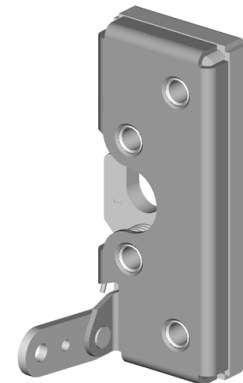
INTERNAL LUBRICATION:

- Oven-cured dry lubricant is applied at factory on all critical moving parts

CAUTION: Latch does not comply with FMVSS 206 requirements.



For more information visit
www.trimarkcorp.com



050-0400 Floating Striker Single Rotor Latch Handing					
Part #	Handing	Mounting	Actuation	Actuation Feature	Actuation Support
11615-01	Left	.286 (7.3mm) Diameter Through Axles	Convention Straight	None	Standard Mount
11616-01	Right	.286 (7.3mm) Diameter Through Axles	Conventional Straight	None	Standard Mount
13921-01	Left	.286 (7.3mm) Diameter Through Axles	Conventional Straight	Torsion Spring	Standard Mount
14325-01	Right	1/4-20 UNC Threaded Axles	Convention 2-Point	None	Standard Mount
14923-01	Right	.286 (7.3mm) Diameter Through Axles	Convention Straight	Torsion Spring	Standard Mount

050-0500 Single Rotor Mini-Latch

Designed for small compartment and access doors where low cost slam action latching is desired. It features a single or two-position compact rotary and is available in a variety of trip levers and mounting axles for ease of mounting and applications

- Door closing forces of 15-20 lbs (6.8-9 kg) recommended for best results (not to exceed 50 lbs [23 kg])

FEATURES/BENEFITS:

- Compact size
- Low cost
- Single position rotary style latching action
- Double position also available

AVAILABLE:

- Right and left hand configurations (left hand shown)
- With 1/4-20 UNC threaded axles
- Base mount
- With rod collars attached

MATERIAL:

- Internal latch components and case halves: high-strength steel
- Springs: non-corrosive stainless steel



FINISH:

- Zinc plated, clearchromate
- Stainless steel

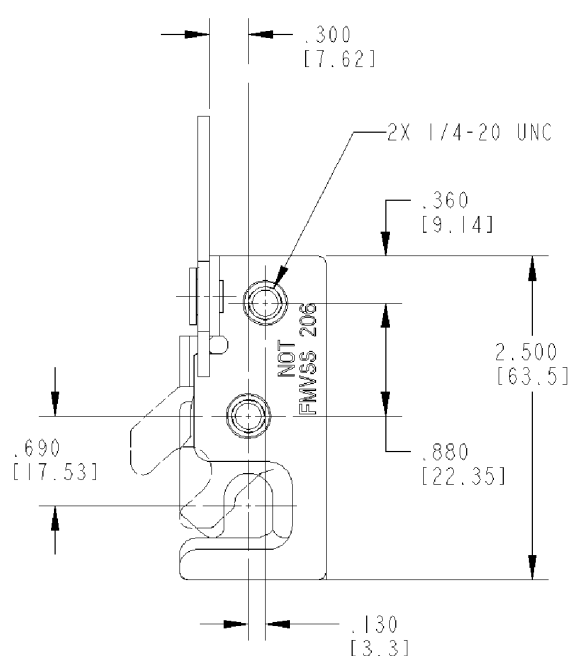
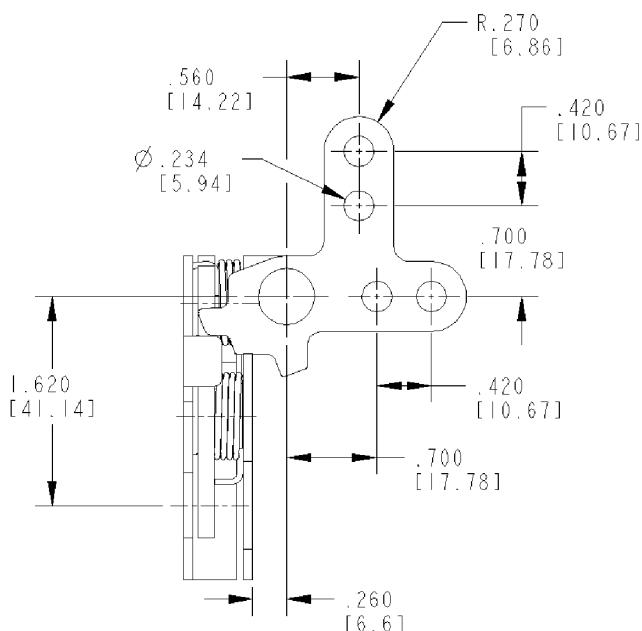
INSTALLATION:

- Two 1/4-20 UNC mounting fasteners (not included)
- Custom mounting brackets and release levers upon request
- Tighten to the manufacturers' recommended torque value, however, do not exceed 100 in-lbs (11.2 N-m)

Rod collars are not intended or recommended for use in applications that require FMVSS 206 compliance or applications that have heavy or extreme striker bolt loads (> 25 lbs / 11 kg) and/or high to extreme usage (> 100,000 door cycles/life).

CAUTION: Latch does not comply with FMVSS 206 requirements.

050-0500 Single Rotor Mini Latch			
Part #	Handing	Actuation	Mounting
13374-01*	Right	2-Point	1/4-20 UNC
13776-01	Left	2-Point	1/4-20 UNC
15159-01	Right	2-Point	1/4-20 UNC
15160-01	Left	2-Point	1/4-20 UNC
15252-01	Right	L-Shaped	.286"
15253-01	Left	L-Shaped	.286"
16979-01	Left	Direct	Base
16903-01	Right	Direct	Base



For more information visit
www.trimarkcorp.com

060-0201 Trailer Latch

This trailer latch was specifically designed for entrance, baggage and compartment doors for recreational vehicles including motor homes and travel trailers. It features a modern styled paddle and provides a single reversible key system with TriMark's KeyOne™ Plus system.

- All doors with thickness of 1-1/4" (31.8mm) to 1-1/2" (38.1mm) (other door thicknesses available – please inquire)
- Universal applications--either right or left handed

FEATURES/BENEFITS:

- Paddle can be locked before door is shut
- Paddle is rigid when locked
- Automotive styling
- Comfortable finger access
- Inside assist for easy door closing
- Water resistant

AVAILABLE:

- With optional built-in dead bolt (060-0251 Series)
- Reversible key for ease of operation
- With or without inside release (060-0201 Series)
- Reverse plunger for inward swinging doors (optional)
- Lock can be keyed to match other TriMark door products with KeyOne™ Plus for a single-key system, keyed alike or provided non-locking



MATERIAL:

- Major components: die cast zinc alloy
- Strike plate (standard version): die cast zinc alloy
- Strike plate (optional dead bolt version): steel or non-corrosive stainless steel
- Non-metallic plunger

FINISH:

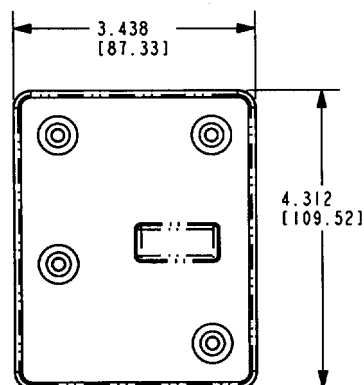
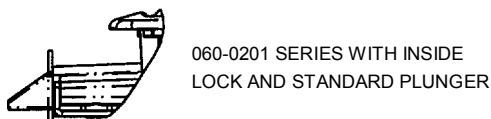
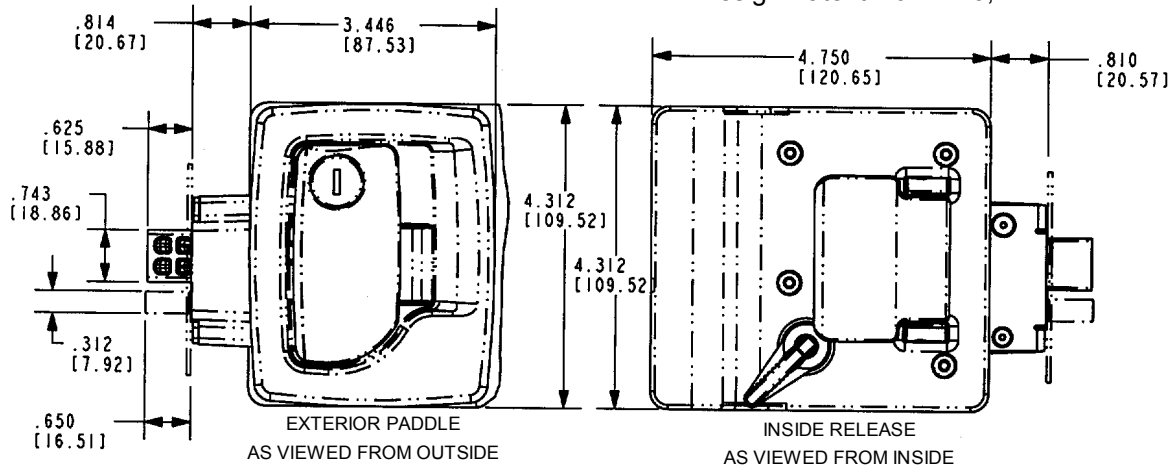
- Black powder coated or white
- Strike plate (standard version): black powder coating
- Strike plate (optional deadbolt version): zinc plated

INSTALLATION:

- Requires (4) #8-32 thread forming fasteners (Available--please inquire)

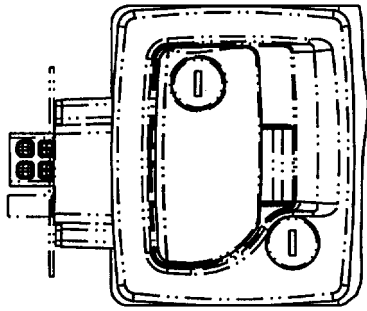
CAUTION: LATCH DOES NOT MEET FMVSS 206 LOAD REQUIREMENTS.

U.S. Patent No. 5,927,773 & 6,409,234
Design Patent No. D419,421



For more information visit
www.trimarkcorp.com

060-025 | Trailer Latch With Dead Bolt



060-0201 and 060-0251

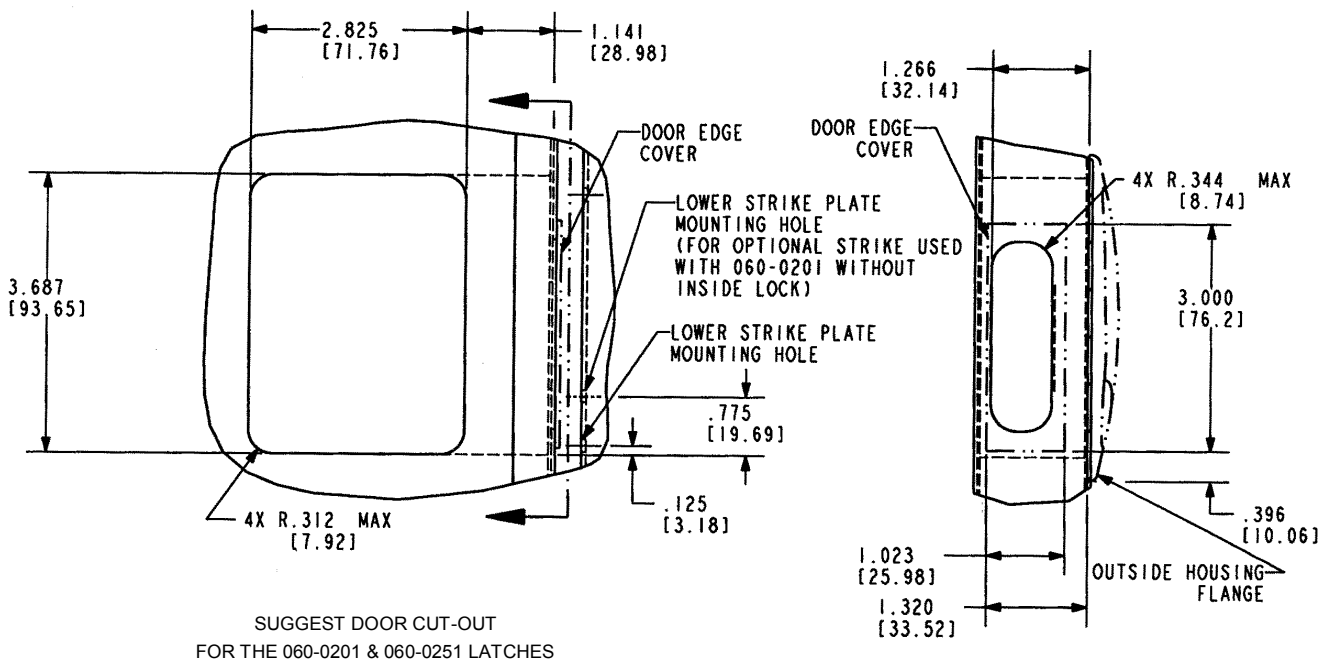
FEATURES/BENEFITS:

- Paddle can be locked before door is shut
- Paddle is rigid when locked
- Automotive styling
- Comfortable finger access
- Inside assist for easy door closing
- Water resistant

060-0201 Trailer Latch				
Part #		Finish	Key Code	Dead Bolt
14900-01	Exterior Paddle	Low Gloss Black	1141-1240	Yes*
14901-01	Exterior Paddle	Low Gloss Black	1141-1240	No
15702-01	Exterior Paddle	Low Gloss Black	KeyOne Plus	No
15711-01	Exterior Paddle	Low Gloss Black	KeyOne Plus	Yes*
15774-01	Plate Cover	Low Gloss Black	N/A	N/A
060-0251 Trailer Latch With Dead Bolt				
13631-01	Exterior Paddle	Low Gloss Black	1141-1240	Yes
15701-01	Exterior Paddle	Low Gloss Black	KeyOne Plus	Yes
15605-01	Inside Release	Low Gloss Black	N/A	N/A

For more information visit
www.trimarkcorp.com

* Note: Dead bolt can only be operated from inside release



060-0300 Flush Mount Security Lock

DESIGNED FOR:

- Door applications in travel trailers and motor homes with modern automotive styling

FEATURES/BENEFITS:

- Fits doors with thicknesses of 1-1/4" (31.8mm) to 1-3/4" (44.5mm)
- Can be mounted on either hollow or solid core door on travel trailers and motor homes
- retrofittable with most face and edge bores now commonly used
- Shuttered automotive style keyway
- Fits either left or right hand doors
- 5 pin brass tumblers cylinder
- Two nickel-plated keys included

AVAILABLE:

- 2-3/8" (60.3mm) and 2-3/4" (69.9mm) backsets standard (other backsets available)
- Up to 1,000 key codes available
- Strike available

MATERIAL:

- Sturdy die cast zinc alloy

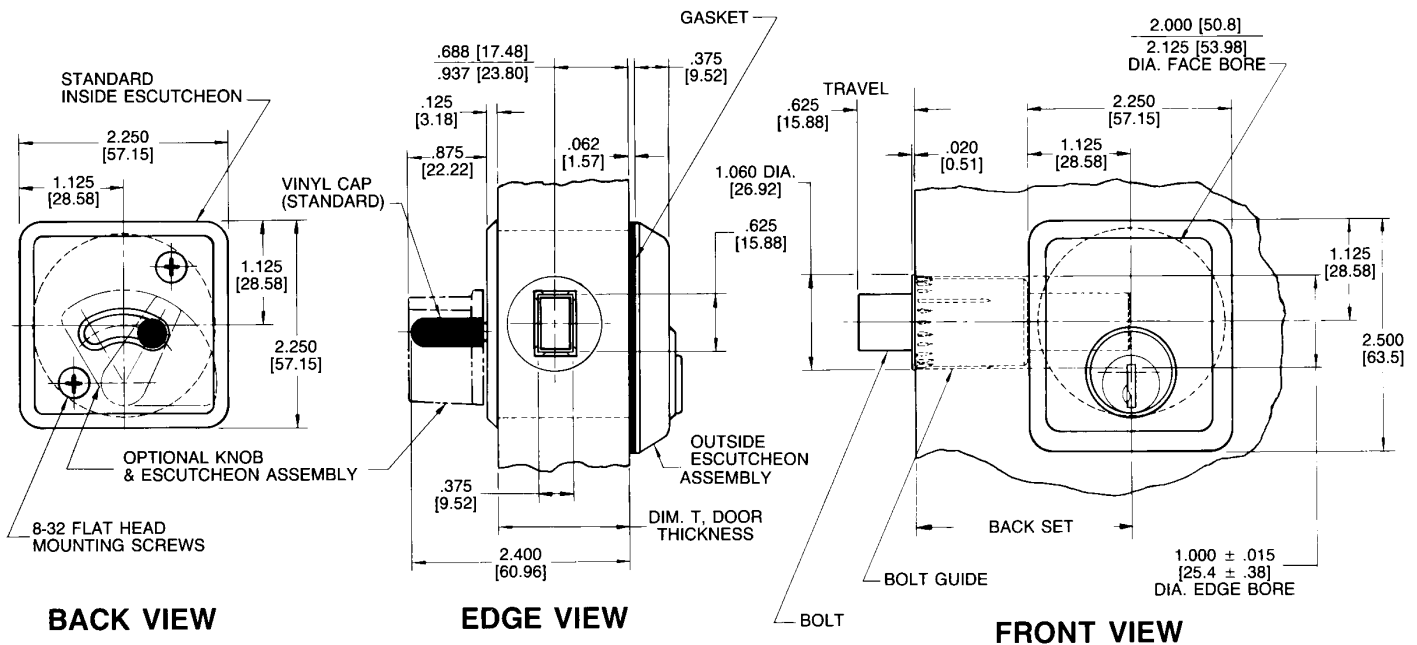
FINISH:

- Black powder coated
- Additional colors and finishes available -- please inquire

060-0300 Flush Mount Security Lock			
Part #		Finish	Backset
11690-00	Dead Bolt	N/A	4.687
11692-12	Complete Assembly	Medium Gloss Black	5.000
11840-01	Complete Assembly	Medium Gloss Black	3.375
11840-02	Complete Assembly	Black Textured Paint	N/A



For more information visit
www.trimarkcorp.com



060-0400 Flush Baggage Lock

DESIGNED FOR:

- Recreational vehicles
- Single point assembly ideally suited to 1.437" and thicker foam core doors with door seal forces up to 20 lbs. (other applications possible)
- Two-point assembly can be used on virtually any thickness door with linkage release efforts up to 7 lbs. per linkage rod

FEATURES/BENEFITS:

- Pivot arm and plunger bolt operating mechanism provides resistance to water and dirt penetration
- Modern automotive styling
- Shuttered key cylinder
- Paddle can be locked before door is shut
- Comfortable finger access

FINISH:

- Black powder coated
- White powder coated

MATERIAL:

- Engineering plastic used for plunger bolt, pivot arm, and pivot plate has lower coefficient of friction than nylon, reducing closing and operating efforts

AVAILABLE:

- With or without plunger bolt for one or two point operation
- Locking or non-locking
- Keyed alike
- Wide variety of mounting bracket options available for various applications
- Linkage rods available for your specific applications
- Lock can be keyed to match other TriMark door products with KeyOne™ Plus for a single-key system, keyed alike or provided non-locking



INSTALLATION:

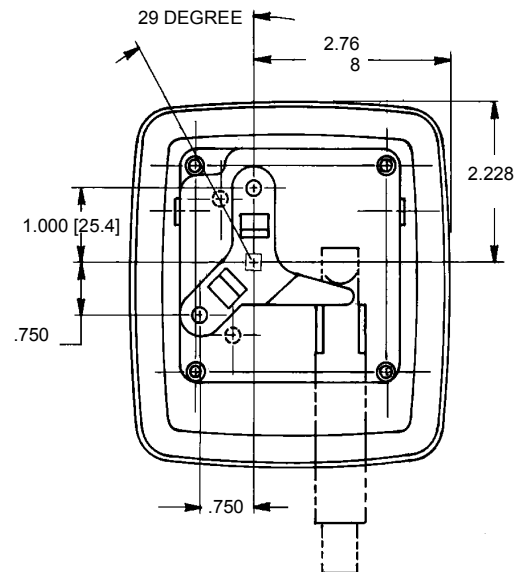
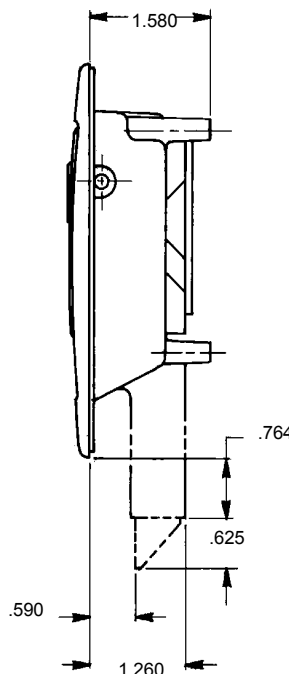
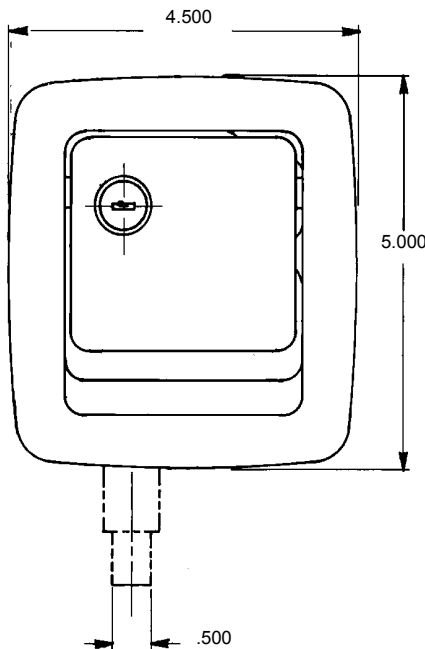
- Easy drop-in installation with two-point version
- Supplied with gasket already applied under recess in housing flange for simple, clean installation
- Mounts with (4) #8-32 thread cutting screws (not supplied)

U.S. Patent No. 5,058,937

Canadian Patent No. 2045830

Design Patent No. D373,298

060-0400 Flush Mounted Baggage Lock			
Part #	Actuation	Key Code*	Finish
11959-37	Single Point	Non-Locking	Low Gloss Black
12006-37	2-Point	Non-Locking	Low Gloss Black
12054-37	Single Point	TM500	Low Gloss Black
12055-37	2-Point	TM500	Low gloss Black
13532-01	2-Point	KeyOne	Low Gloss Black
16802-01	Single Point	KeyOne Plus	Low Gloss Black
Note: Keys sold separately			



For more information visit
www.trimarkcorp.com

060-0450 EZ Access Baggage Lock

This baggage door lock was specifically designed for baggage and compartment doors for recreational vehicles including motor homes and travel trailers. It offers an improved plunger design and increased mechanical advantage for lower operating efforts.

FEATURES/BENEFITS:

- Offers lower operating efforts and a more forgiving assembly
- Ample finger clearance
- Paddle can be locked before the door is shut (slam action)

AVAILABLE:

- Wide variety of mounting bracket options available for various applications
- Lock can be keyed to match other TriMark door products with KeyOne™ Plus for a single-key system, keyed alike or provided non-locking



FINISH:

- Paddle and housing: low gloss black powder coat
- Steel components: zinc coat with clear chromate

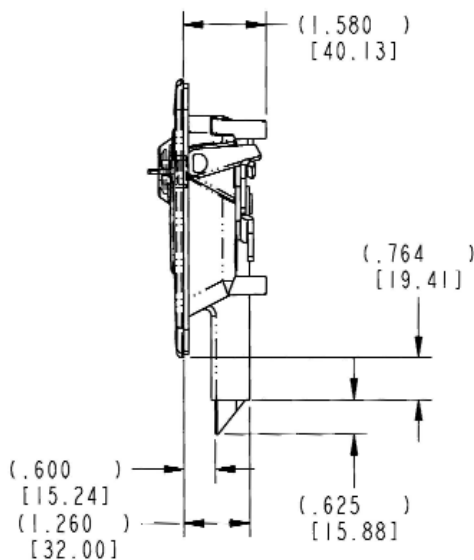
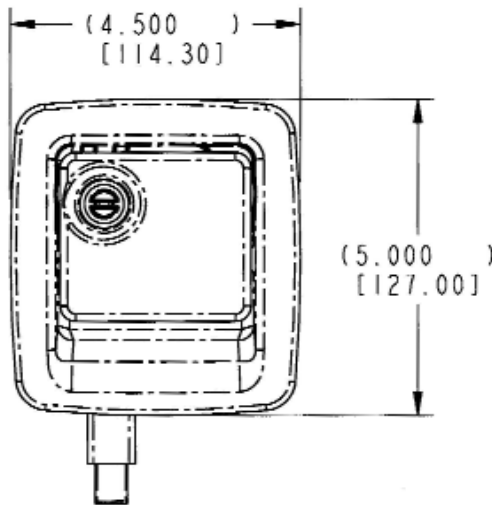
MATERIAL:

- Housing and paddle: zinc
- Pivot plate, axles, pivot arm: steel
- Plunger bolt: plastic

INSTALLATION:

- Mounts with four (4) #8-32 thread forming fasteners (available - please inquire)

U.S. Patent No. 6,547,290
Design Patent No. D373,298



This product is being replaced by the 060-0460. We do not recommend the use of this product in new applications. For additional information, please contact Customer Service at 1-800-447-0343.



060-0450 EZ Access Baggage Door Lock			
Part #	Handing	Finish	Key Code*
19750-01	Non-Handed	Low Gloss Black	2002
19750-02	Non-Handed	Low Gloss Black	Non-Locking
*Lock sold separately			

For more information visit
www.trimarkcorp.com

060-0460 EZ Access Baggage Door Lock

This baggage door lock was specifically designed for baggage and compartment doors for recreational vehicles including motor homes and travel trailers. It is available with multi-point functionality or as a single point with either a zinc or plastic plunger.

FEATURES/BENEFITS:

- Offers lower operating efforts and more forgiving assembly
- Ample finger clearance
- Paddle can be locked before the door is shut (slam action)
- Updated styling
- Improved plunger design
- Increased mechanical advantage to allow for lower operating efforts
- Available in single or three-point actuation for latching versatility

FINISH:

- Paddle and housing: powder coat in various colors
- Steel components: zinc coat with clear chromate

MATERIAL:

- Housing and paddle: die cast zinc
- Pivot plate, axles, pivot arm: steel
- Plunger bolt: plastic or die cast zinc

AVAILABLE:

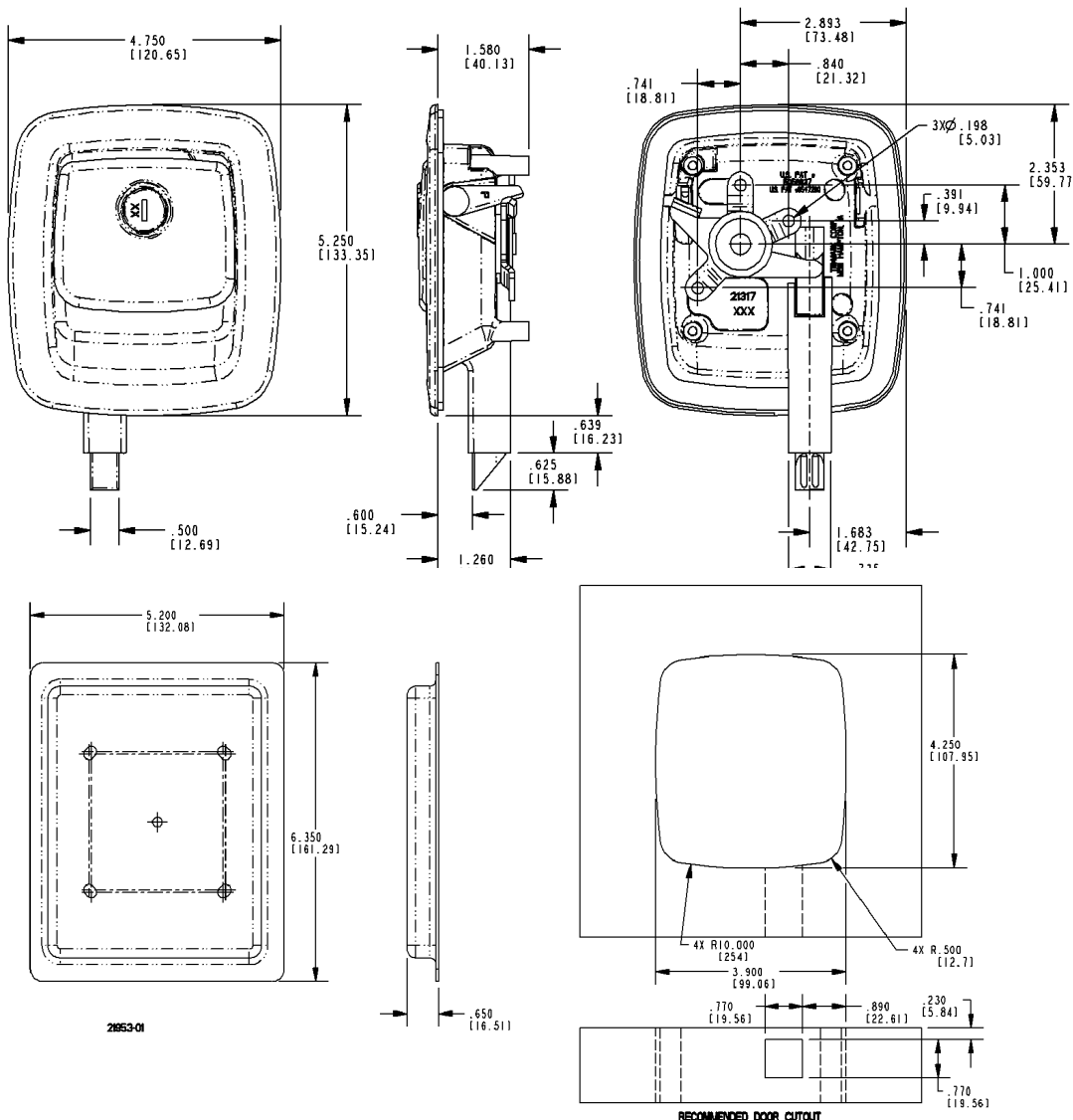
- Locking or non-locking
- Keyed alike
- Wide variety of mounting bracket options available for various applications
- Lock can be keyed to match other TriMark door products with KeyOne™ Plus for a single-key system, keyed alike or provided non-locking
- Multi-point actuation or single point
- Zinc or plastic plunger



INSTALLATION:

- Mounts with four (4) #8-32 thread forming fasteners (not supplied)
- Supplied with gasket already applied under recess in housing flange for simple, clean installation

For more information visit
www.trimarkcorp.com



U.S. Patent No. 6,547,290
Other Patents Pending

060-0475 Flush Baggage Door e-LOCK

This baggage door lock was specifically designed for baggage and compartment doors for recreational vehicles including motor homes and travel trailers. It features a modern styled paddle and offers the use of power door lock actuation. It is available with multi-point functionality or as a single point with either a zinc or plastic plunger.

FEATURES/BENEFITS:

- Offers modernized styling
- Allows the use of power door lock actuation
- Large handle provides comfortable finger access and greater ease of operation (ergonomics)
- Single point zinc or plastic plunger or multi-point functionality works with TriMark rotary or plunger latches in doors 1.187" (30.1mm) and thicker
- Multi-point handle can be mounted in vertical or horizontal orientations and is able to actuate latches at the sides and also the top and bottom of the door
- Paddle can be locked before the door is closed (slam action)

FINISH:

- Supplied painted in a low gloss black finish, the product can be easily painted over to match body colors
- Also available copper-nickel chrome plated

MATERIAL:

- Sturdy zinc die cast alloy housing, paddle and plunger
- All parts (axles, pivot arm, pivot plate, lock cam): cold rolled steel with zinc plate, clear chromate for corrosion resistance
- Engineering plastic used for plunger bolt drive end and plunger bolt (when specified) has lower coefficient of friction, reducing closing and operating efforts

AVAILABLE:

- With or without plunger bolt for one or multi-point operation
- Single point version is available with a zinc or plastic plunger
- Handle can be keyed to match other TriMark RV door products with KeyOne™ Plus for a single-key system, keyed alike or provided non-locking
- Housing flange and internal gaskets provided for resistance to water and dirt infiltration
- Linkage rods available for your specific applications



INSTALLATION:

- Handle is easy to install with (3) #8-32 thread forming fasteners (supplied separately)
- Optional mounting bracket and rod allows the power actuator to mount to the handle for ease of installation
- Supplied with gasket already applied under recess in housing flange for simple, clean installation

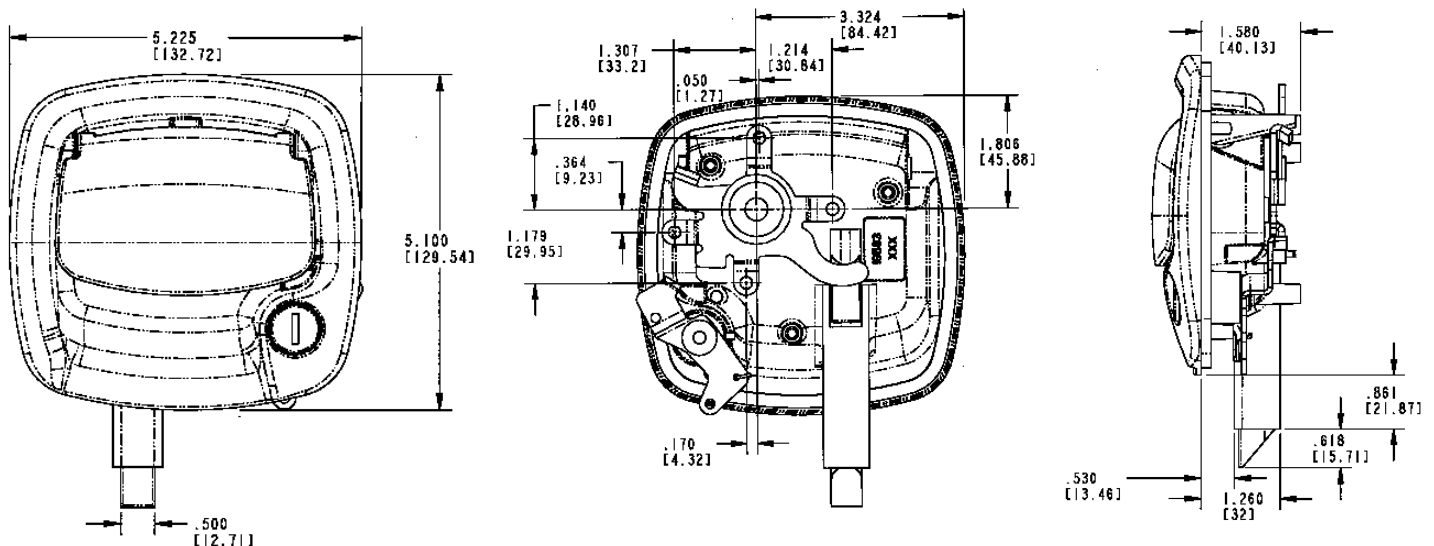
System kits are available and include handles, latches, rods, brackets and power lock actuators to provide a comprehensive electro-mechanical access solution

U.S. Patent No. 7,232,162
Design Patent No. D519,823



For more information visit
www.trimarkcorp.com

060-0475 Flush Baggage Door e-LOCK				
Part #	Handing	Finish	Key Code	Plunger
19583-03	Non-handed	Low Gloss Black	KeyOne Plus	Plastic
19583-04	Non-handed	Copper-Nickel Chrome	KeyOne Plus	Plastic
20356-01	Non-handed	Low Gloss Black	Non-Locking	Zinc
20356-02	Non-handed	Low Gloss Black	Non-Locking	Plastic
20356-03	Non-handed	Low Gloss Black	KeyOne Plus	Plastic



060-0500 Plunger Bolt

This latch was designed for small compartment and access doors where low cost slam action latching is desired. It features a plastic plunger bolt for ease of closing/opening and is available with rod collars and a direct release knob for installation and ease of use.



FEATURES/BENEFITS:

- Unique, economical, single piece cover design
- .625" (15.87mm) allowable travel
- Low operating efforts
- Corrosion resistant
- Slotted mounted holes for ease of installation
- Precision placed mounting holes allow pre-drilling of holes in mating parts
- Optional inside release feature
- Non-metallic plunger bolt
- Optional collar and setscrew for easy rod attachment and adjustment

FINISH:

- Cover and link - zinc plated with clear chromate conversion coating
- Collar - clear chromate dip

MATERIAL:

- Cover and link: cold rolled steel
- Plunger bolt: black nylon
- Collar: zinc die cast alloy

INSTALLATION:

- Recommended use of #10-24 or #10-32 type D, F, G, or T thread cutting, self-threading screws (not included)

AVAILABLE:

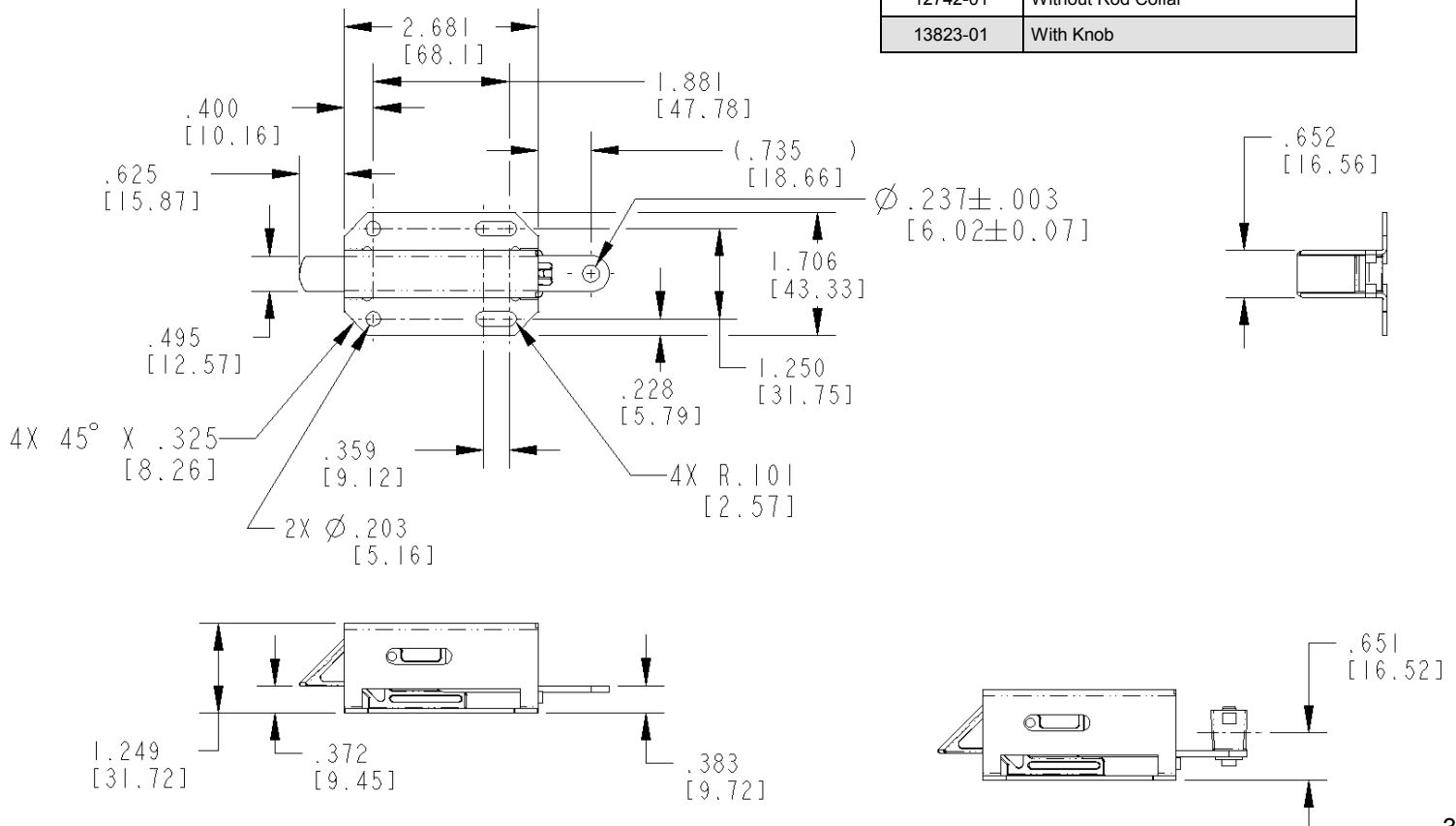
- With or without collar and setscrew as shown below (please inquire)
- Operated with cables or rods
- Custom rods up to .219 diameter (5.4mm)
- Optional nose configurations available (requires tooling)

Rod collars are not intended or recommended for use in applications that require FMVSS 206 compliance or applications that have heavy or extreme striker bolt loads (> 25 lbs / 11 kg) and/or high to extreme usage (> 100,000 door cycles/life).

U.S. Patent No. 5,360,355

For more information visit
www.trimarkcorp.com

060-0500 Plunger Assembly	
Part #	
12296-01	With Rod Collar .265 Dia.
12742-01	Without Rod Collar
13823-01	With Knob



060-0600 / 060-0650 Motor Home Entrance Door Hardware

Designed for motor home entrance doors, this product provides easy installation with a through sandwich mounting. It features a low cost plunger style latch and is compliant to FMVSS 206. The 060-0650 includes a built-in dead bolt for additional security.

- Door thickness of 1.390" (35.3mm) to 1.600" (40.6mm). (Different inside plates are required to facilitate range of door thicknesses. Please identify when inquiring.)
- Universal applications--either right or left handed

FEATURES/BENEFITS:

- Paddle can be locked before door is shut
- Paddle is rigid when locked
- Automotive styling
- Comfortable finger access
- Inside assist for easy closing
- Serviceable shuttered key cylinder
- Built-in dead bolt eliminates the need for an add-on residential type dead bolt
- Dead bolt locks into the fully extended position for true dead bolt functioning (060-0650)

AVAILABLE:

- With optional built-in dead bolt (060-0650)
- Master keyed paddle keycylinder. Non-master keyed dead bolt

This product is currently under a redesign and will be replaced within 12 months. For additional information, please contact Customer Service at 1-800-447-0343.

FINISH:

- Black powder coated
- Copper-nickel-chrome plated

MATERIAL:

- Housing, inside plates, paddles, plunger bolt and certain lock actuating components: die cast zinc alloy
- Strike plate: heat treated and zinc plated steel

INSTALLATION:

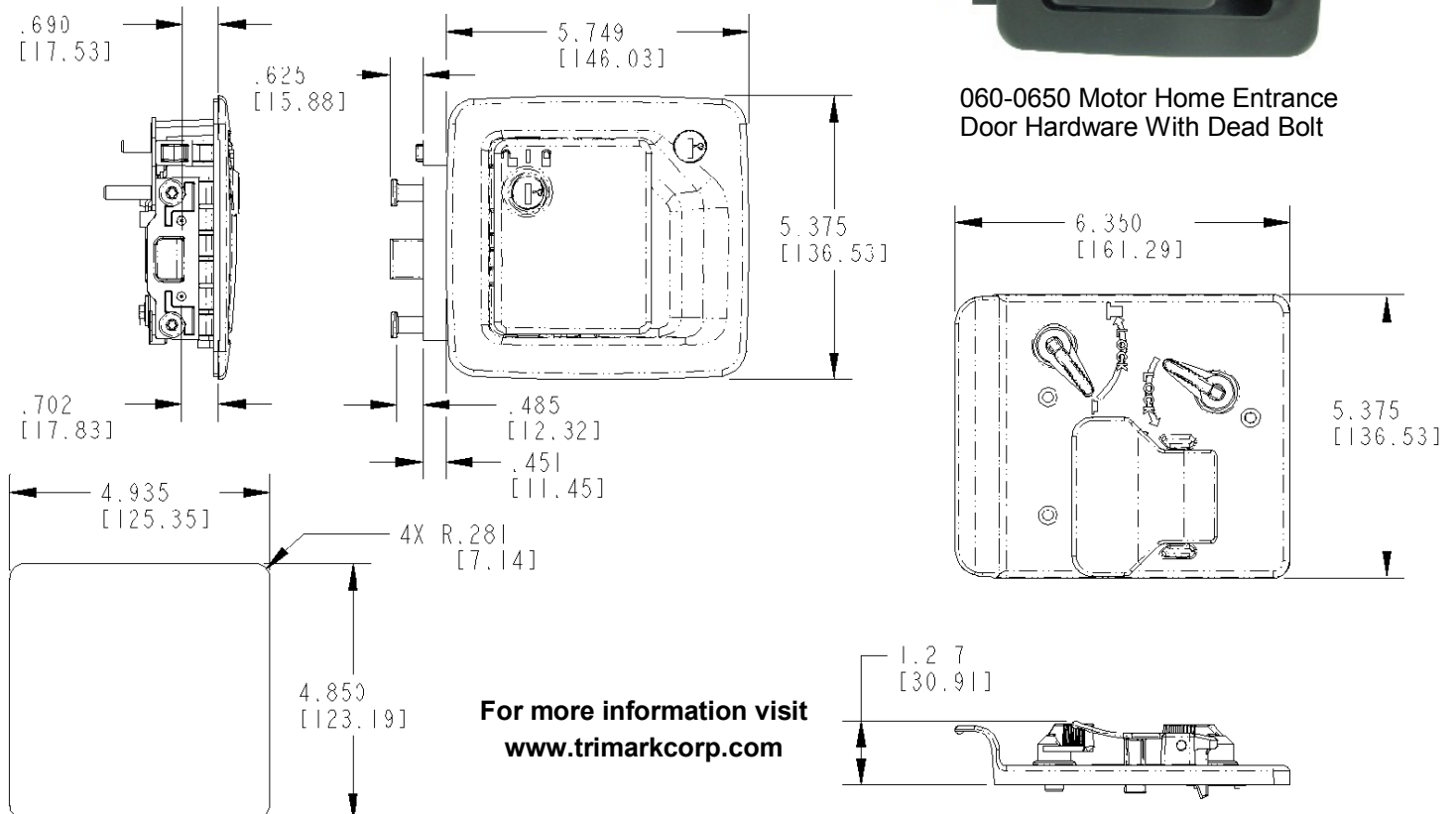
- #10-24 UNC mounting screws (not included). Recommended torque 10 in./lbs. (1.1 N-m) 1/4-20 UNC grade 5-type fasteners for strike plate installation recommended
- Supplied with gasket already applied under recess in housing flange
- Sandwich mount installation does not require any linkage rods

Meets FMVSS 206 load requirements and may be used in FMVSS 206 applications pending TriMark application approval.

U.S. Patent No. 4,736,972
Design Patent No. D346,731



060-0650 Motor Home Entrance Door Hardware With Dead Bolt



For more information visit
www.trimarkcorp.com

060-0900 Plunger Bolt

This latch was designed for small compartment and access doors where low cost slam action latching is desired. It features a plastic plunger bolt for ease of closing/opening and a flange mount that allows for internal door mounting (recessed).

FEATURES/BENEFITS:

- .500" (12.7mm) allowable travel
- Low operating efforts
- Corrosion resistant
- Non-metallic plunger bolt
- Flange mount allows for internal door mounting (recessed)

FINISH:

- Black painted finish

MATERIAL:

- Base, cover, slide: cold rolled steel
- Spring: stainless steel
- Plunger: nylon

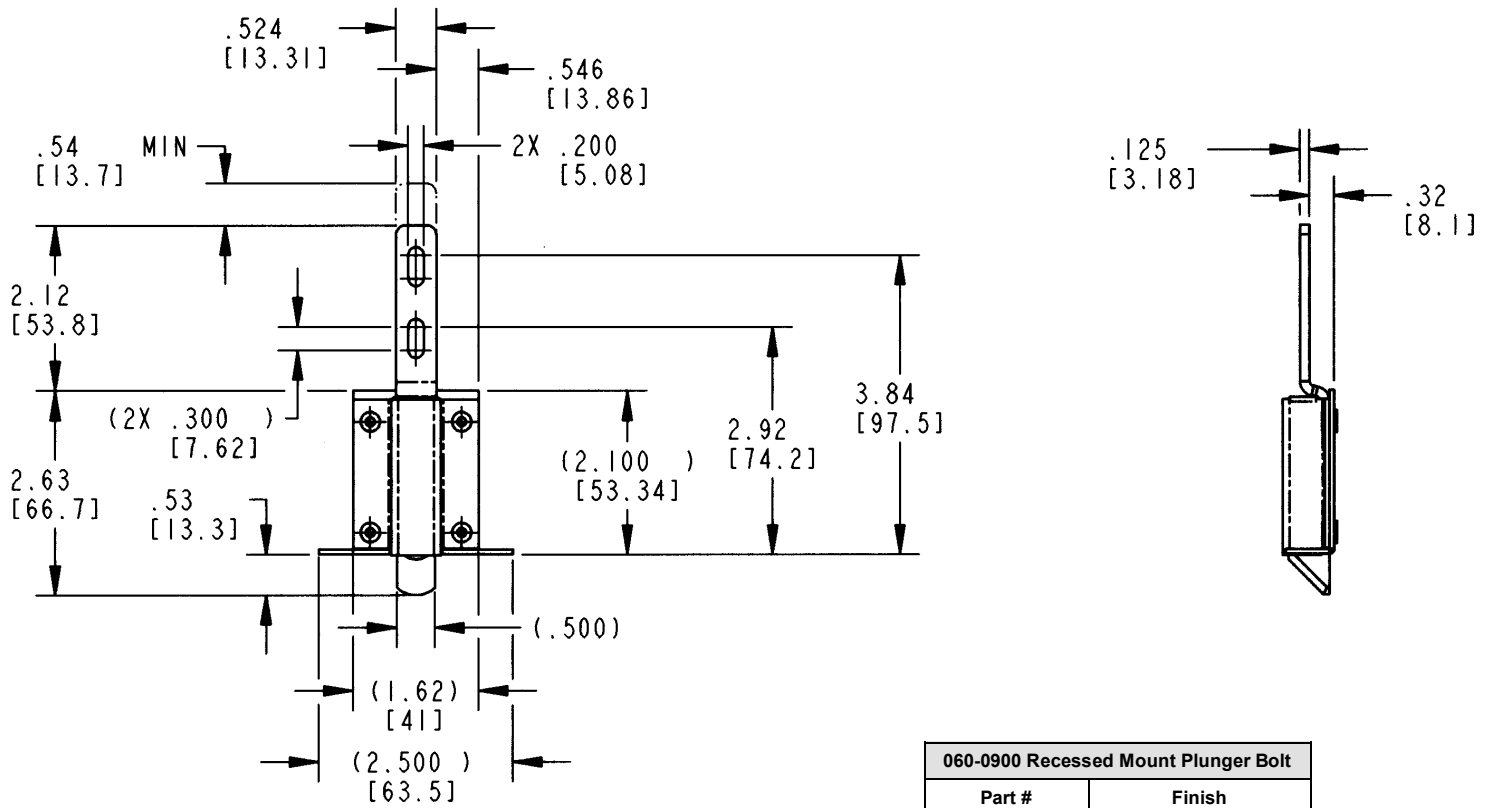
AVAILABLE:

- Custom rods up to .188 diameter (4.5mm)

INSTALLATION:

- Recommended use of (2) 3/16 diameter (4.5mm) pop rivets or #12 type AB, B or BP steel thread forming screws

For more information visit
www.trimarkcorp.com



060-1300 Flush Mount Security Lock

This redesigned security lock is intended for recreational vehicle entrance doors including motor homes and travel trailers where it is advantageous to use a remote mounted security lock. It features a serviceable KeyOne™ Plus lock cylinder and provides for easier installation.

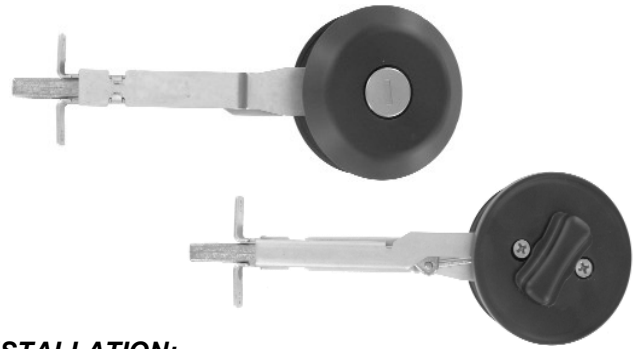
- Entrance door applications in travel trailers and motor homes with thicknesses of 1-1/2" (38.1mm) to 2-1/2" (63.5mm)

FEATURES/BENEFITS:

- Can be mounted on either hollow or solid core door on travel trailers and motor homes
- Universal round design allows for use on left or right hand doors
- Dead bolt locks into the fully extended position for true dead bolt functioning
- KeyOne™ Plus lock allows for serviceable lock cylinder

AVAILABLE:

- Keyed random with 100 key codes
- Standard 5-1/2" (139.7mm) backset
- Lock can be keyed to match other TriMark door products with KeyOne™ Plus for a single -key system, keyed alike or provided non -locking



INSTALLATION:

- Security lock sub-assemblies (3) are easy to install with supplied fasteners
- Supplied with gasket already applied under recess in housing flange for simple, clean installation

MATERIAL:

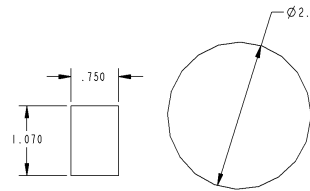
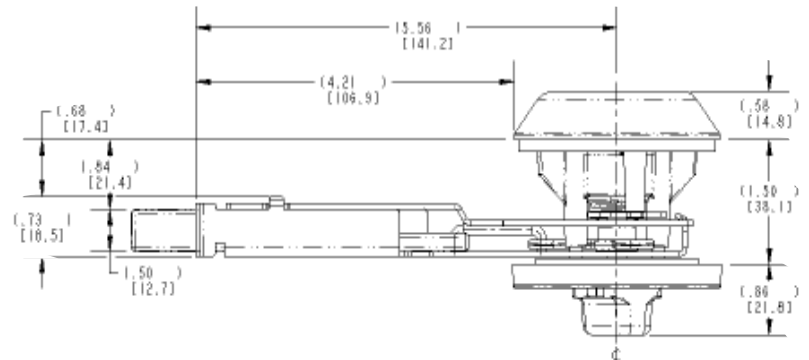
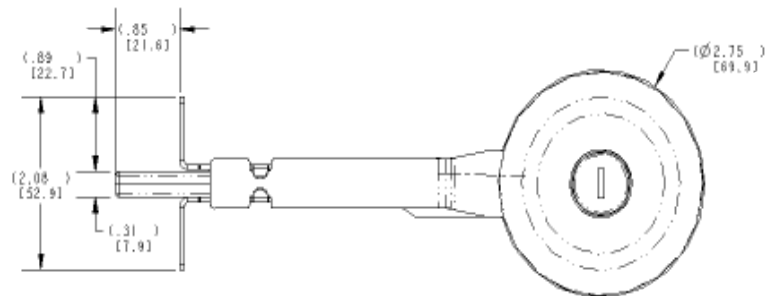
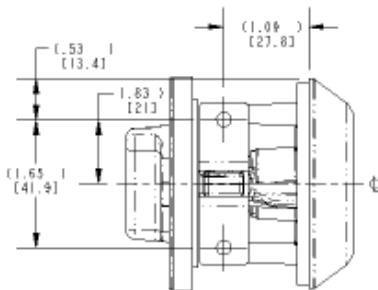
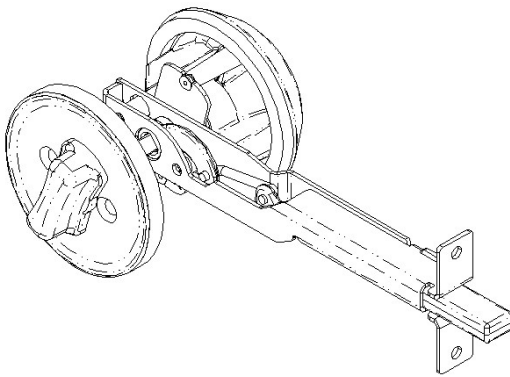
- Interior/exterior housing, lock knob and deadbolt - die cast zinc alloy
- Stamped steel deadbolt carrier

FINISH:

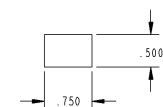
- Black powder coated or chrome
- Zinc plated clear chromate steel components

Patent Pending

For more information visit www.trimarkcorp.com



DOOR CUTOUT



JAMB CUTOUT

070-0100 .500 (12.7mm) Diameter Striker Bolt

Designed as a companion part for use with TriMark's single rotor latches and cage nuts that requires a .500 (12.7mm) diameter striker bolt and compliance to FMVSS 206. It is available in a variety of lengths with several drive details and mounting thread choices.



INSTALLATION:

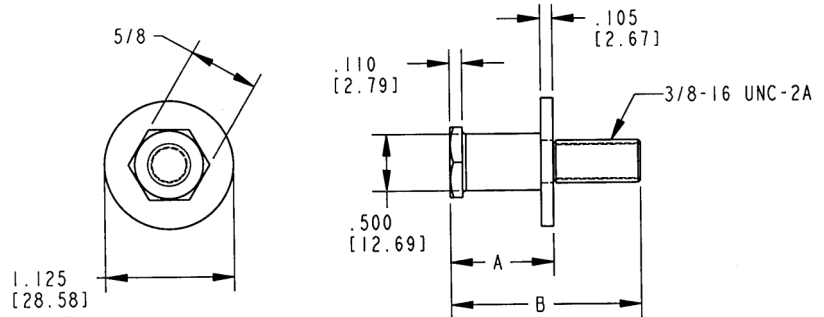
- Torque to 35 ft-lbs (46.7 N-m) minimum depending upon surface conditions

MATERIAL:

- Typical materials include AISI 4140 and AISI C10B21 steel (or equivalent), heat treated to TriMark ES-141

FINISH:

- Zinc plated with clear chromate



* WASHER DEFLECTED TO INSTALLED DIMENSION

For more information visit
www.trimarkcorp.com

TRIMARK STRIKER BOLTS ARE DESIGNED AND TESTED TO MEET OR EXCEED FMVSS 206 SAFETY REQUIREMENTS ONLY WHEN USED WITH TRIMARK'S CORRESPONDING 206 COMPLIANT LATCHES.

* Dimension "A"	Dimension "B"
.905 [22.99]	1.465 [37.21]
.905 [22.99]	1.665 [42.29]
.905 [22.99]	2.630 [66.80]
1.045 [26.54]	1.805 [48.85]
1.300 [33.02]	2.060 [52.32]

070-0200 .675 (17.1mm) Diameter Striker Bolt

Designed as a companion part for use with TriMark's single rotor latches and cage nuts that requires a .675 (17.1 mm) diameter striker bolt and compliance to FMVSS 206. It is available in a variety of lengths with several drive details and mounting thread choices.



MATERIAL:

- Typical materials include AISI 4140 and AISI C10B21 steel (or equivalent), heat treated to TriMark ES-141

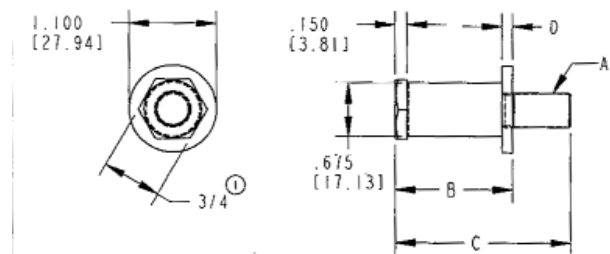
INSTALLATION:

- Torque 7/16-14 UNC-2A to 56 ft-lbs (74.7 N-m) minimum depending upon surface conditions
- Torque 1/2-13 UNC-2A to 85 ft-lbs (113.3 N-m) minimum depending upon surface conditions
- Torque M12 x 1.75-6g to 75 ft-lbs (100.0 N-m) minimum depending upon surface conditions

FINISH:

- Zinc plated with clear chromate

DIMENSION "A"	DIMENSION "B"	DIMENSION "C"	DIMENSION "D"
7/16-14 UNC-2A	0.984 [24.99]	1.715 [43.56]	0.134 [3.40]
7/16-14 UNC-2A	0.984 [24.99]	2.025 [51.44]	0.134 [3.40]
7/16-14 UNC-2A	1.484 [37.69]	2.215 [56.26]	0.134 [3.40]
7/16-14 UNC-2A	1.700 [43.18]	2.750 [69.85]	0.134 [3.40]
7/16-14 UNC-2A	1.174 [29.82]	1.905 [48.39]	0.134 [3.40]
1/2-13 UNC-2A	1.198 [30.43]	2.048 [52.02]	0.150 [3.81]
1/2-13 UNC-2A	1.582 [40.18]	2.362 [59.99]	0.150 [3.81]
M12 X 1.75-6g	1.000 [25.40]	1.732 [43.99]	0.150 [3.81]
M12 X 1.75-6g	1.489 [37.82]	2.205 [56.01]	0.150 [3.81]
M12 X 1.75-6g	2.209 [56.11]	3.110 [78.99]	0.150 [3.81]
M12 X 1.75-6g	2.950 [74.93]	3.820 [97.03]	0.150 [3.81]



070-0300 .375 (9.5mm) Diameter Striker Bolt

Designed as a companion part for use with TriMark's single rotor latches and cage nuts that requires a .375 (9.5mm) diameter striker bolt. It is available in a variety of lengths with several drive details and mounting thread choices.

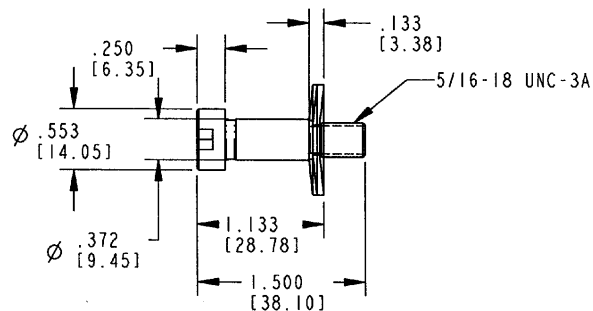
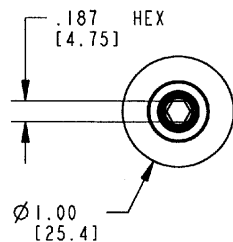
MATERIAL:

- Striker bolt: medium carbon steel, heat treated
- Washer: mild steel

FINISH:

- Striker bolt: zinc plated with clear chromate
- Washer: galvanized zinc

Note: DOES NOT COMPLY WITH FMVSS 206



TRIMARK STRIKER BOLTS ARE DESIGNED AND TESTED TO MEET OR EXCEED FMVSS 206 SAFETY REQUIREMENTS ONLY WHEN USED WITH TRIMARK CORRESPONDING 206 COMPLIANT LATCHES.

For more information visit
www.trimarkcorp.com

070-0400 12mm Diameter Striker Bolt

Designed as a companion part for use with TriMark's single rotor latches and cage nuts that requires a 12mm diameter striker bolt.

MATERIAL:

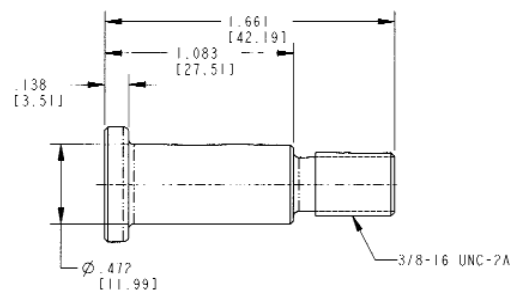
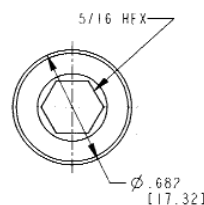
- AISI 4140 steel heat treated

INSTALLATION:

- Torque to 35 ft-lbs (46.7 N-m) minimum depending upon surface conditions

FINISH:

- Zinc plated with clear chromate



090-0100 Rod Clips

Designed to facilitate the connection between the latch and handles with rods for remote actuation and provides for easy assembly.

AVAILABLE:

- In right and left hand, or non-handed design
- In a variety of diameters, materials and configurations

INSTALLATION:

- Provides for easy assembly of hardware

MATERIAL:

- Medium carbon steel, heat treated and parkerized black for extra strength and corrosion resistance
- Color coded nylon for rattle free operation and ease of identification



For more information visit www.trimarkcorp.com

100-0500 Strike Plate

Designed as a companion part for use with TriMark's sliding bolt latches. Versions are available in steel or die cast zinc.

AVAILABLE:

- In a variety of configurations

FINISH:

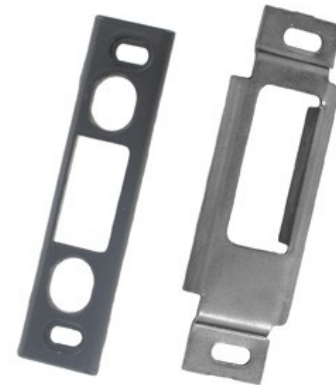
- Die cast zinc - no finish, black powder coated paint
- Steel - zinc plate, clear chromate

MATERIAL:

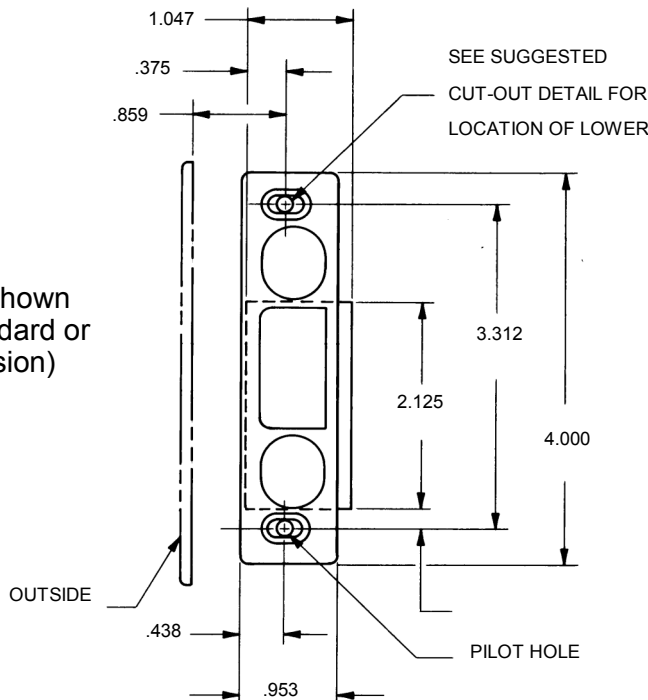
- Typical materials include die cast zinc and steel

INSTALLATION:

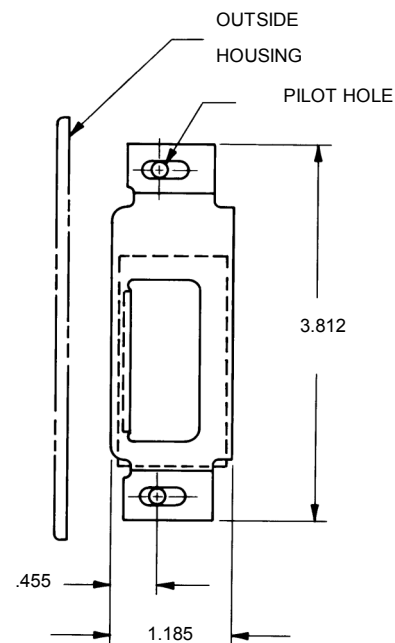
- Provides for easy adjustability of door



(Dimensions Shown for Either Standard or Dead Bolt Version)

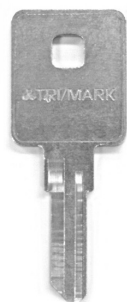


Die Cast Strike



Stamped Steel Strike Plate

Key Blanks



Part Number	KS Number	Description	Profile
14264-07-2001	KS100 C	TM051-100, 500+, 600+, 901+	
14264-08-2001	KS110 D	TR051-TR100	
14472-05-2001	KS130 H	TM301-323	
14472-07-2001	KS150 J	TM426-448	
14472-09-2001	KS180 K	TM851-867	
14264-01-2001	KS200 F	TM001-050 & TM201-250	
14264-04-2001	KS300 E	TM101-150	
14264-06-2001	KS400 E	TM151-200	
14472-01-2001	KS600	RH001-050	
14264-03-2001	KS700	(Long, 6-wafer) TRI001-TRI098	
14472-12-2001	KS700	(Short, 5-wafer) TRI200-TRI259	
14710-30	KS720	TM700-729	
14472-04-2001	KS800	CH501-550	
14472-02-2001	KS900	CH751, PK500, LL011, PK556	
16169-10-2000	KS101	1001-1240	
16169-20-2000	KS201	2001-2240	
81205-03	KS610	80000-81000	
16169-30-2000	KS301	3001-3240	

KeyOne™ Plus

Gone are the days when convenience and security were mutually exclusive terms when describing key code requirements and single key access control. TriMark is featuring a single-key system for the operation of multiple locking products. The patented KeyOne™ Plus approach allows for a single key system that can be installed as the last step by the final stage manufacturer. With the KeyOne™ Plus system, you're getting an automotive-style lock with a larger body diameter for enhanced security, a high quality shutter system and perimeter waterproof seal - reducing the infiltration of dirt and water.

Available on TriMark entrance door handles and compartment locks, the lock cylinder, keyways and keys are available in a variety of codes allowing the customers' flexibility in keying a unit alike and keyed different from unit to unit without giving up overall security. Keys are available in reversible profiles which offers ease of operation, customer convenience and satisfaction. This system also allows for certain products or locks such as a deadbolt lock to be keyed different for an added level of security or restricted access. Master keyed versions are also available, providing dealers, fleet owners, and service technician's convenience and accessibility.



This system addresses another challenge for OEM's, the logistics and line sequencing for the keyed random key codes across their various models and options mix. KeyOne™ Plus provides the OEM the opportunity to line sequence the key code requirements without having to order key cylinders or hardware kits keyed alike in advance of build requirements.

One additional benefit is the opportunity to service the lock cylinder in the event of lost keys or lock cylinder failure.

Look for the KeyOne™ Plus logo in TriMark literature, technical publications and on the TriMark website at www.trimarkcorp.com for products that do not sacrifice security or convenience.

Entrance Door Applications



030-0850



030-1400/030-1450



060-0201



030-1425



030-0900



060-1650



020-1100



060-1300

Compartment Door Applications



060-0460



060-0251



030-2000



060-1100



060-0475



040-1400

TriMark's e-ASK System (electronic Access & Security Keyless-entry)

500-1000 e-ASK System

TriMark's top level e-ASK system consists of a selection of compatible components that allow for complete keyless entry for on or off-highway vehicle applications. Incorporation into TriMark mechanical latches, handles and systems by providing keyless-entry, security, and convenience for access door systems. This system includes the ultimate in end user convenience and functionality.



500-1100 e-FOB System

The integration of mechanical handles/latches and keyless-entry electrical products is now available with TriMark's e-ASK System. This cost-effective, simple, and integrated system offers increased security, convenience and functionality with reduced system installation complexity and lower installation costs for demanding users of RVs, heavy trucks, emergency vehicles, agricultural and construction equipment.

Base system provides added convenience and security via a standard remote radio frequency (RF) transmitter providing automotive convenience to your vehicle.



500-1200 e-PAD System

The integration of mechanical handles/latches and keyless-entry electrical products is now available with TriMark's e-ASK System. This integrated system offers increased security, convenience and functionality with reduced system installation complexity and lower installation costs for demanding users of RVs, heavy trucks, emergency vehicles, agricultural and construction equipment.

User-friendly keypad system provides visual, audible and touch feedback. Keypad can be mounted horizontally, vertically, and with means to protect against vandalism and other tampering. This system includes both a touch pad and an I/O module for the ultimate in keyless functionality.



TriMark Acquires West Alloy

We are pleased to announce that on September 20, 2007 TriMark Europe Ltd, a subsidiary of TriMark Corporation, have acquired West Alloy Ltd. Located in the UK. West Alloy is a market leader in the design and manufacture of locks, hinges, window stays and associated fittings for the world's best-known industrial and leisure vehicles.

West Alloy has built a sound reputation for on-time delivery of quality products including the Caraloc line of products which includes exterior handles and interior latch assemblies designed for the European Caravan industry. Also available are baggage door locks, grab handles, folding table legs and cam locks.

For more information on West Alloy's range of products, contact West Alloy at +44(0)20883372211 or visit

West Alloy



Caraloc Assembly (2000)



Camloc Assembly (730)



Baggage Door Lock (5280) With Various Cams



Single Table Leg (3030)

Strength Guidelines

The following table represents strength guidelines for the application of products for their respective duty ratings:

	<u>Light Duty</u>	<u>Medium Duty</u>	<u>Heavy Duty</u>
Door Weights	< 50 lbs. (<23 kg)	50 to 100 lbs. (23-46 kg)	100 to 200 lbs. (46-91 kg)
Striker Bolt Loads	0 to 15 lbs. (0-7 kg)	15 to 25 lbs. (7-11 kg)	25 to 75 lbs. (11-34 kg)

Please consult a TriMark technical representative for applications exceeding the guidelines listed above. In addition, you can also consult with a TriMark technical representative if you're not sure about the correct product selection for your application.

Guidelines for Mounting Torque

Please note: The following are guidelines only. Installer should follow the fastener manufacturers' recommended torque values and consider the fastener grade/class, materials and surface condition of the threads.

<u>Description</u>	<u>Use</u>	<u>Mounting Torque</u>
M6mm brass inserts	Push button handles	50 to 59 in. lbs. or 5.6 to 6.7 N-m
M8mm brass inserts	Push button handles	59 to 70 in. lbs. or 6.7 to 7.9 N-m
1/4-20 UNC grade 5	Latches	96 to 120 in. lbs. or 10.7 to 13.3 N-m
M6x1 Class 8.8	Latches	96 to 120 in. lbs. or 10.7 to 13.3 N-m
M8x1.25 Class 8.8	Latches	200 in. lbs. or 22.2 N-m
3/8-16 UNC grade 8	Striker bolts	35 ft. lbs or 46.7 N-m
7/16-14 UNC grade 8	Striker bolts	56 ft. lbs. or 74.7 N-m
1/2-13 UNC grade 8	Striker bolts	85 ft. lbs. or 113.3 N-m
M12x1.75 grade 9.8	Striker bolts	85 ft. lbs. or 113.3 N-m
#8-32 thread forming screws	Die cast paddles	40 to 50 in. lbs. or 4.4 to 5.6 N-m
#10-24 thread forming screws	Die cast paddles	40 to 50 in. lbs. or 4.4 to 5.6 N-m

Latch and Striker Installation

The following are instructions for proper striker installation:

1. Install striker bolt in door frame.
2. Close door carefully and check for interference between head of striker bolt and latch components.
3. Add or remove shims under striker bolt washer as required (outside diameter of shim should be larger than outside diameter of striker bolt washer).
4. Adjust striker bolt vertically so door is not guided upward or downward while being closed.
5. CHECK TO DETERMINE THAT BOTH SECONDARY AND PRIMARY LATCH POSITIONS ARE USABLE.
6. Door should be latched but not "closed" in secondary position and latched to anticipated "closed" position with respect to adjacent surfaces in primary position.
7. If both primary and secondary positions are not evident, re-adjust striker bolt.

Materials Reference

Zinc — TriMark primarily die casts zinc alloy No. 3. This material has high ductility and excellent impact strength, making this material suitable for a wide range of uses. Parts can be cast with thin walls and the excellent surface finish allows for the application of a wide variety of finishes like painting and plating.

High Strength Low Alloy Steel (HSLA) — High strength low alloy steel provides outstanding strength, toughness, and ease of fabrication. It is used where high tensile strength is a requirement and provides a high strength-to-weight ratio.

Stainless Steel (SST or SS) — Stainless steel materials provide excellent corrosion resistance in high moisture environments. Stamped products allow for buffing and polishing which provides a bright and attractive appearance that is easily maintained. It's used in the manufacture of springs to provide corrosion resistance and long life.

Powder Metals (P/M) — Powdered metallurgy or P/M is a method of producing ferrous parts by mixing metal powder, compacting in a die and sintering to bond the particles metallurgically. The P/M process is cost effective in producing metal components to production quality tolerances without machining or scrap and can also provide self-lubricating properties.

Plastic Materials — TriMark specifies engineered thermoplastics for situations where non-corrosive, lightweight, and low cost materials are required. The plastic materials used have been carefully selected to meet the functional and aesthetic requirements for each component and/or product.

Lubrication

Products manufactured by TriMark are lubricated and shipped with a minimum amount of lubrication to function correctly when they leave the factory. Many products have a dry-type solid film lubricant applied that will give years of trouble free performance; however, mechanical products do require maintenance and periodic lubrication. The application of a quality lubricant such as Alpha 2000 or its equivalent, will maintain the quality and performance of the TriMark products.

Alpha 2000 is high performance premium grease. It demonstrates excellent mechanical stability with no breakdown after 100,000 cycles. In addition, it has excellent thermal stability and performs well over a wide temperature range. It is also resistant to water and provides corrosion resistance. This product is available in 14 oz. Cartridges through TriMark Service & Replacement Parts.

Finishes Reference

Zinc Plating — This is TriMark's standard finish for steel components. It is a sacrificial finish, which provides good corrosion protection and is an attractive, bright, metallic finish. Available in clear chromate, they will provide 12 hours of salt spray protection without evidence of red rust per ASTM B-117.

Copper Nickel-Chrome Plating (CNC or CNNC) — Commonly referred to as chrome plating, it is an electroplating process, which applies three or four layers of copper, nickel and chromium to a zinc substrate. This plating can be applied over a polished surface to give the part a high luster, mirror-like finish. TriMark can provide a range of service categories (SC) ranging from a decorative finish SC1 all the way up to a SC4, which can survive harsh exterior environments with severe abrasive conditions.

Service Categories

SC1	Mild service-indoor usage in dry, warm atmosphere
SC2	Moderate service - indoor usage subject to condensation
SC3	Severe service - exterior usage or interior usage on parts exposed to strong cleaners and saline solutions
SC4	Very severe service - exterior usage subject to severe abrasive condition

Performance Requirements

Service Categories	Corrodkote Test ASTM B380	Cass Test ASTM B368
SC1	N/A	N/A
SC2	One cycle with 4 hours exposure	4 house exposure
SC3	One cycle with 16 hours exposure	16 hours exposure
SC4	Two cycles with 16 house exposure	22 hours minimum exposure

Note: All cycles are without any evidence of corrosion

Powder Coating — Powder coating is an electrostatic painting process that utilizes a thermal curing of the finish that results in an excellent topcoat that is attractive, durable, corrosion resistant, and UV stable. Available in a variety of colors and glosses this finish is ideally suited for exterior applications and will withstand approximately 750 hours of salt spray resistance per ASTM B-117 and 1000 hours of exposure per ASTM G53 QUV Weatherometer testing.

Solid Film Lubricant — TriMark utilizes a permanent, baked-on solid film lubricant on many of the rotary latch components. This finish provides a low coefficient of friction and approximately 200 hours of salt spray resistance per ASTM B-117.

E-Coat — TriMark utilizes an acrylic E-coat as a primer for customer applied paint for enhanced adhesion and corrosion protection. Available in a medium gloss black color it has excellent adhesion, corrosion protection, and UV resistance.

Pre-Galvanized Music Wire — This is a zinc plated music spring wire finish that is applied to the wire prior to the final drawing operation. It has a uniform coating and hardness suitable for automatic spring coiling and mechanical forming operations. Corrosion resistance is 32 hours for wire 0.040 in diameter and above and 28 hours for wire 0.023 to 0.039 in diameter.

Fit for Use

All TriMark products are subject to changes at any time in design, dimensional, specification, material and/or finish.

All TriMark products should be used in accordance with applicable local, state, federal and industrial or commercial regulations. Suitability for applications is the responsibility of the purchaser.

Warning: The modification and/or alteration of any components or assembly will void warranty and may cause serious injury or death.

Loads on Rotary Door Latching Hardware

Loads applied to the striker bolt by door seals/gaskets are a significant factor in affecting operational efforts. This load has been referred to as 'door seal load' in the past, but this term has some ambiguity. A distinction needs to be made between the difference of 'door closing force' and 'striker bolt load'. The following are definitions of these terms:

Door Closing Force (DCF)

The force required to shut a door completely. When using rotary latch hardware in a door, this would be the point at which the striker engages into the primary position of the latch. This load would be measured in pounds or kilograms of force.

Striker Bolt Load (SBL)

The load is exerted between the latch and striker bolt when the door is fully closed. The main factor that would cause this load would be the door seal or gasket. This load is measured in pounds or kilograms of force. TriMark has developed procedures for measuring 'door closing force' and 'striker bolt loads' please call a TriMark representative.

TriMark Test Engineering has measured some door closing forces and striker bolt loads as a comparison. In most cases, the door closing forces have been more than the striker bolt load. This is apparent, due to the fact that when closing a door fully, the striker bolt is required to travel beyond the primary position of a latch in order for the catch to engage into the rotor, resulting in a higher load.

TriMark has studied this issue in detail in order to provide superior door hardware and applications assistance to meet customer requirements and expectations.

FMVSS and EEC INTEREUROPE Standards:

Federal Motor Vehicle Safety Standard No. 206 - National Highway Traffic Safety Administration
FMVSS 206 - Door locks and door retention components - Passenger Cars, Multipurpose Passenger Vehicles, and Trucks.

Requires locking systems and specifies load requirements for door latches and door hinge systems to minimize the probability of occupants being thrown from the vehicle as a result of forces encountered in vehicle impact. The design and testing requirements of the • FMVSS 206 safety standard require a primary and secondary latching position and must withstand transverse and longitudinal load forces and inertial forces without opening.

Certain TriMark products comply with FMVSS 206 and are identified in TriMark's catalog and technical publications. These products have been thoroughly tested in accordance with SAE J839 for the load requirements. In addition, a complete door system analysis of ALL components of the door locks and door retention components for inertia and inside locking requirements must be performed by TriMark or the vehicle manufacturer.

Federal Motor Vehicle Safety Standard No. 302 - National Highway Traffic Safety Administration
FMVSS 302 - Flammability of Interior Materials - Passenger Cars, Multipurpose Passenger Vehicles, Trucks and Buses.

This standard specifies bum resistance requirements for materials used in the occupant compartment of motor vehicles in order to reduce deaths and injuries caused by vehicle fires.

Certain *TriMark* products comply with FMVSS 302 and are identified in TriMark's catalog and technical publications. These products have been either tested or certified as complying with the standard.

Notes:




Service & Replacement Parts

510 Bailey Avenue • P.O. Box 350 • New Hampton, IA 50659 • USA
Toll Free: 800-431-8616 • Fax: 641-394-1515 or 641-394-1572
Email: trimarkparts@trimarkcorp.com • www.trimarkcorp.com

TriMark Corporation

500 Bailey Avenue
P.O. Box 350
New Hampton, IA 50659
United States
Tel: +1 641 394 3188
Fax: +1 641 394 2392
www.trimarkcorp.com

10002707 QM  ISO 9001 : 2000
10002707 TS2  ISO/TS 16949 : 2002
TriMark Corporation

TriMark Europe Limited

Cedar Court
Walker Road
Bardon Hill
Coalville
LE67 1TU
United Kingdom
Tel: +44 (0) 1530 512460
Fax: +44 (0) 1530 512461
www.trimarkeu.com

427961 QM  ISO 9001 : 2000
427961 UM  ISO 14001 : 2004
TriMark Europe Ltd.