

## GAS-FIRED STOVES

*Always the perfect finish.*



**HearthStone**  
WOOD AND GAS-FIRED STOVES

317 Stafford Avenue, Morrisville, VT 05661  
E-mail: [inquiry@hearthstonestoves.com](mailto:inquiry@hearthstonestoves.com)  
On the web: [www.hearthstonestoves.com](http://www.hearthstonestoves.com)

# With choices as unique as your home and lifestyle ... we're spreading the warmth.



## TABLE OF CONTENTS

Color choices	4
<i>Gas-fired stoves</i>	
The Sterling-Ht	5-6
The Santa Fe	7-8
The Tucson	9-10
The Tribute-DV	11-12
The Champlain	13-14
The Stowe	15-16
The Tudor Collection	17-20
<i>Gas-fired inserts</i>	
The DVI-Ht	21-22
<i>Venting options guide</i>	23-24
<i>Technical specifications</i>	25-26
<i>Woodstoves &amp; inserts</i>	27-30



*Large heat capacity or small. For heating your entire home or just for warming a single room. Freestanding stoves or fireplace inserts. Stone-finished in your choice of traditional soapstone, granite or marble, or all-cast iron stoves with beautiful designs and porcelain enamel finishes.*

*Each HearthStone® stove comes in a wide variety of materials and color combinations to match any decor.*

*With all these choices, it's like having your own customized line of stoves, ready when you need one, so you can choose the one that suits your exact needs and desires.*

### Unparalleled Craftsmanship Beautiful, Hardworking & Smart, Too.

A HearthStone stove is more than just a practical way to warm your home. It's often the centerpiece of a room as well – something that family and friends will gather around. So, we make sure that every HearthStone stove has the hand-crafted beauty of a piece of fine furniture.

HearthStone stoves are made in Vermont with Yankee ingenuity and practicality. They're made one at a time by individual craftsmen. There's no assembly line. They're built by people who take great pride in their work and understand the need for both reliability and functionality – and the desire for a special presentation within your home. So, whatever your sense of style – rustic, elegant, casual, or formal – or your lifestyle – outdoor, active, indoor, and relaxed at home, a HearthStone can fit beautifully into your decor.

Each and every HearthStone stove is crafted to the highest standards. Materials are the finest, strongest, and most durable available. Manufacturing practices are unparalleled in the industry. For example, our baked enamel finishes are fired to 1,500 degrees to provide HearthStone's signature luster and shine, and for the greatest chip and tarnish resistance.

We combine time-tested craftsmanship and materials with the latest heating technology to ensure our stoves are clean-burning and efficient.

All HearthStone gas stoves are powerful sources of heat, as well as remarkable models of efficiency... while providing the ease and convenience of gas. A cast iron double heat exchanger, standard in all our direct-vent and B-vent gas models, ensures maximum transfer of heat from the stove or fireplace insert into the room.

Also standard are features such as: variable flame height control, allowing you to control the rate of heat output; a wall-mounted thermostat; and a built-in, 3-way on/off/thermostat switch. And, of course, all HearthStone gas stoves offer the beauty of a realistic flame display, allowing you to create a special ambiance in your home.

### The Perfect Finish

There's something about a room that's perfectly finished. It inspires comfort and security. The truest sense of home and hospitality. And there's something about a HearthStone stove that helps to finish a home in just that way. Something that draws out that long, lazy, heavy-eyed grin as you sink a little deeper into the sofa cushions. Warm. Relaxed. Its warm glow is the perfect finish to a brisk walk ... a good meal ... a long day.

Please take a look at our comprehensive line of stoves. With so many choices, we're sure there's a HearthStone that's perfect for you. With HearthStone, you always get the perfect finish.



Formed millions of years ago under intense heat and pressure, soapstone is a metamorphic rock, natural, non-combustible, and extraordinarily beautiful. Possessing remarkable stability due to its original molten form, soapstone is the only stone able to withstand intense fire, direct flames, and dramatic temperature changes, making it an ideal component for a stove.

HearthStone's soapstone panels absorb the high heat of the fire, then radiate it back out into your room. Once heated, soapstone stays warm for hours to continue warming with a gentle, even, radiant quality of heat that's as comfortable as it is lasting. This quality to radiate heat after burning is what we refer to as HeatLife™

Soapstone gives HearthStone stoves superior HeatLife. The stone panels incorporated into some of HearthStone's most popular stoves are all selected and matched to create a coordinated and complementary pattern within the overall stove design. The end result is a stove which is remarkably efficient, functional, durable, and beautiful.

## A Full Spectrum of Color Choices

Our soapstone stoves are available in a variety of color finishes for the cast iron frames. Other HearthStone stoves offer stone choices including select marbles or granites that can be

mixed and matched with a variety of enamel colors or black matte, classically sculpted, cast iron. Our all-cast iron stoves come in a variety of colors as well.

### CASTING FINISHES

**Almond High Gloss Enamel**



*(Tucson & Stowe only)*

**Painted Matte Black**



**Blue/Black Satin Enamel**



**Brown Majolica Enamel**



**Seafoam Majolica Enamel**



**Black High Gloss Enamel**



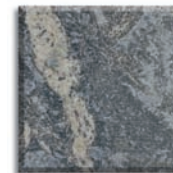
**Caramel Majolica Enamel**



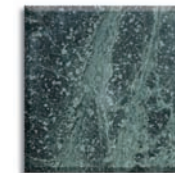
*(Tudor only)*

*Majolica Enamel will craze after heating and the color will even shift on the hottest areas of your stove during heating.*

### STONE FINISHES



**Polished Gray Soapstone**



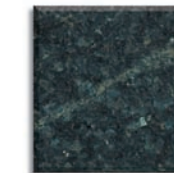
**Aztec Green Marble**



**Autumn Brown Granite**



**Dakota Red Granite**



**Black Orion Granite**



**Misty Mauve Granite**



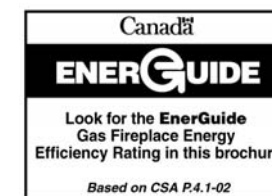
**Kashmir Gold Granite**

*(Tudor only)*

*Polished gray soapstone varies from gray to gray-green to gray-blue, according to natural composition. Marble and granite stone finishes will also vary according to natural composition.*

Warranty: HearthStone Quality Home Heating Products, Inc., warrants all its wood and gas stoves and inserts to the original purchaser for the lifetime of the appliance to be free from defects in material and workmanship, with certain limitations as defined in our Limited Lifetime Warranty policy. See your HearthStone dealer for complete details and a copy of our warranty policy.

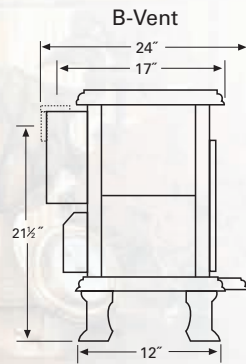
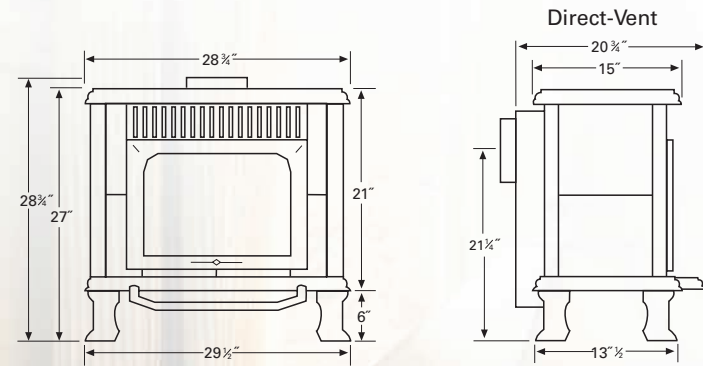
HeatLife is a trademark and HearthStone, HearthStone Phoenix, and HearthStone Sterling are registered trademarks of HearthStone Quality Home Heating Products, Inc.



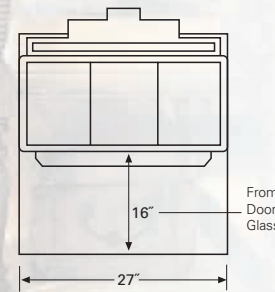
EnerGuide is a Government of Canada rating system that provides consumers with comparative information on the energy performance of energy-using products sold in Canada. For more information on the EnerGuide Program, please go to the EnerGuide web site at: [www.oee.nrcan.gc.ca/equipment/](http://www.oee.nrcan.gc.ca/equipment/)



Sterling  
B-Vent



Minimum Hearthpad Dimensions  
(Hearth can be eliminated with use of  
optional firescreen or by using  
a raised wooden platform:  
7" high for B-Vent)



Refer to pages 23-26 for  
venting configuration and  
technical specifications.

Sterling-Ht Direct-Vent featured  
with autumn brown stone and  
brown majolica enamel finish.



## Sterling-Ht Gas-Fired Stove

Direct-Vent - Model 8532

B-Vent - Model 8521

**Burn Rate Range:** 12,000 - 38,000 BTUs / hr. (top vent)  
12,000 - 33,000 BTUs / hr. (rear vent)

20,000 - 40,000 BTUs / hr.

**EnerGuide Rating:** 74%

**Steady State Efficiency:** 74 - 85%

80 - 88%

**Heating Area:** 1,800 sq. ft.

1,800 sq. ft.

**Stone Finish:** Polished Gray Soapstone,  
Aztec Green Marble, Autumn Brown,  
Dakota Red, Misty Mauve,  
Black Orion Granite

Polished Gray Soapstone,  
Aztec Green Marble,  
Autumn Brown

**Casting Finish:** Cast iron available in a variety of  
HearthStone enamel and matte finishes



Painted  
Matte  
Black



Blue/Black  
Satin  
Enamel



Brown  
Majolica  
Enamel



Seafoam  
Majolica  
Enamel

# the STERLING-Ht

GAS-FIRED STOVE

### Certified room heater with double heat exchange system -

Increased stove efficiency; less heat lost up the  
chimney means more usable heat for less money.

### Millivolt ignition system -

Stove can operate without electricity; excellent source of heat  
during power outages.

### Wall thermostat -

Thermostat turns unit on and off and maintains the  
home at preset comfort level. Desired heat is  
maintained automatically. Optional programmable  
thermostat is also available.

### Top and rear-vent adapters -

Increase stove location options; reduce installation costs: vent  
pipe can be hidden from view.

### Three-way on/off/thermostat switch -

Allows you to flip the stove on for  
instantaneous fire, or to control the stove from  
the wall thermostat, or to turn it off.

### Variable speed fan with thermostat (optional) -

Heated air is moved throughout the home for more  
uniform temperature. Thermostat monitors stove body  
temperatures and automatically controls fan.

### Remote controls (optional) -

Simple "on/off" and thermostatic remote controls allow the  
fire to be controlled from across the room. Temperature is  
controlled by the thermostat located within the remote itself.

### Window screen (optional) -

Enhances flame and reduces hearth requirement. The  
door glass "disappears" from viewing, leaving only the  
dancing flames and glowing logs. Eliminates  
the need for floor protection on the B-Vent.

### Direct-Vent Model

#### Sealed firebox / Direct-Vent technology -

Air for combustion is drawn from outside the home, reducing  
cold air drafts; greater efficiency due to not using heated  
room air for combustion.

#### Unique Direct-Vent installation -

Easily installed next to an outside wall with no vertical pipe  
required. The Sterling can be installed 2" from an outside  
wall directly to a terminus. (See manual for compact listing.)  
Most other venting options also available.

#### Adjustable heat output -

Variable, flame-height control with 70% pressure  
reduction for fire viewing when less heat is desired.

#### Versatile venting -

Stove can be vented straight out the back or vertically.

#### B-Vent Model

#### Reversible flue collar -

Can be attached to the venting either horizontally or  
vertically. Can be vented through an existing fireplace or  
masonry chimney, minimizing installation costs.



One shell  
tells the  
mysteries

of the sea, while another  
echoes the sounds of dolphins

and whales. Collecting seashells has become an annual pastime -  
and your collection now includes all shapes, sizes, and colors.  
Tonight, you'll bring them back in a pail, then gather around  
the HearthStone stove to study them by the firelight.

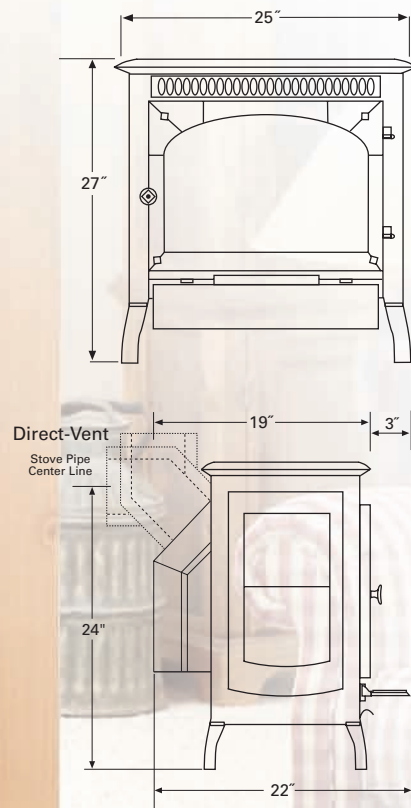
All the convenience and heating efficiency of gas ...  
all the radiant warmth of stone and enameled cast iron ...  
the HearthStone Sterling-Ht is a powerful heater that  
becomes a warm and inviting centerpiece to your home. A  
perfect choice for heating a mid-size home, the Sterling-Ht is  
our biggest heater and most versatile stove, available with  
more venting configurations and options than any other  
gas stove on the market, including hearth installations into a  
fireplace (b-vent or direct-vent). Dial the heat up with the  
included wall thermostat or optional remote control.  
And, the Sterling-Ht's variable, flame adjuster lets you  
control the fire's intensity and adjust to a higher flame for  
more heat output or to a lower flame for gentle warmth.

# the SANTA FE

GAS-FIRED STOVE



*Santa Fe Direct-Vent featured with autumn brown stone and brown majolica enamel finish.*



Refer to pages 23-26 for venting configuration and technical specifications.

## Santa Fe Gas-Fired Stove - Model 8761

- Burn Rate Range:** Direct-Vent - 18,000 - 35,000 BTUs / hr.
- EnerGuide Rating:** 63.1%
- Steady State Efficiency:** 72 - 83%
- Heating Area:** 1,800 sq. ft.
- Stone Finish:** Polished Gray Soapstone, Aztec Green Marble, Autumn Brown, Dakota Red, Misty Mauve, Black Orion Granite
- Casting Finish:** Cast iron available in a variety of HearthStone enamel and matte finishes



### Certified room heater with double heat exchange system -

Increased stove efficiency; less heat lost up the chimney results in more usable heat for less money.

### Millivolt ignition system -

Stove can operate without electricity; excellent source of heat during power outages.

### Wall thermostat -

Thermostat turns unit on and off and maintains the home at preset comfort level. Desired heat is maintained automatically. Optional programmable thermostat is also available.

### Three-way on/off/thermostat switch -

Allows you to flip the stove on for instantaneous fire, or to control the stove from the wall thermostat, or to turn it off.

### Adjustable heat output -

All the pleasures of fire-viewing ambiance, even when little room heat is desired.

### Sealed firebox / Direct-Vent technology -

Air for combustion is drawn from outside the home, reducing cold air drafts; greater efficiency due to not using heated room air for combustion.

### Through-the-wall venting option -

Vent pipe can be installed through an exterior wall with two-foot vertical rise for an unobtrusive look. An inconspicuous terminus on the outside wall completes the installation. No cuts are necessary through your ceiling or roof.

### Through-the-roof venting options -

Vent pipe can be installed through an interior location with the vent pipe terminating above the roof. The stove may also be installed through an existing fireplace or Class A chimney using available adapters.

### Variable speed fan with thermostat (optional) -

Heated air is moved throughout the home for more uniform temperature. Thermostat monitors stove body temperatures and automatically controls fan.

### Remote controls (optional) -

Simple "on/off" and thermostatic remote controls allow the fire to be controlled from across the room. Temperature is controlled by the thermostat located within the remote itself.



*There's no time like the morning*

*— especially for gardening. With the sun just edging up from behind the pines and the dew still cool on the ground, it's the perfect time for gathering up a few early veggies and collecting your thoughts before the day roars forward. Then, while the chill morning mist still hovers outside, you head in for coffee by your HearthStone gas stove, as you think about the day to come.*

The Santa Fe is just right for heating large areas of your home. It can be vented either through your roof or an exterior wall, and its slim profile allows the stove to fit into most spaces. As with all HearthStone gas-fired stoves, the Santa Fe's variable, flame-height adjuster allows you to adjust the intensity of the fire. Turn it up for higher heat output or down for ambiance and fire watching. Its large display window is ideal for viewing the gently flickering flames.

**Compact cabinet -**

Requires little floor space; heat output fits smaller home areas.

**Large fire-viewing area; realistic logs and flame picture -**

A perfect focal point for relaxation and enjoyment.

**Adjustable heat output -**

All the pleasure of fire-viewing ambiance, even when little room heat is required.

**Certified room heater with double heat exchange system -**

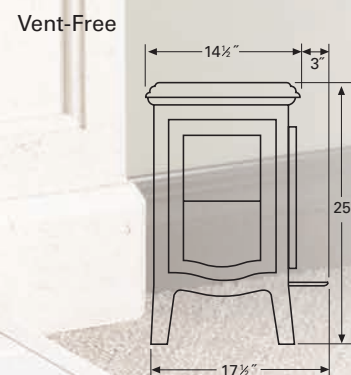
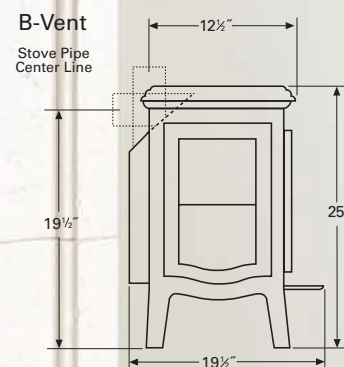
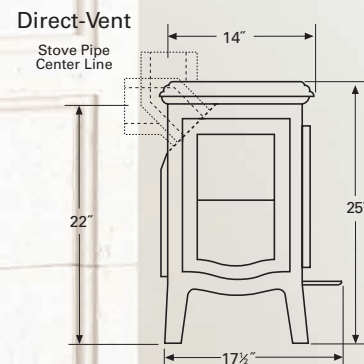
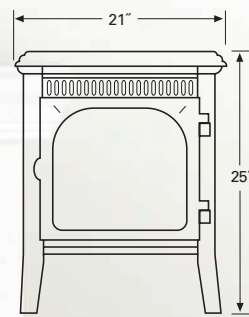
Increased stove efficiency; less heat lost up the chimney means more usable heat for less money.

**Millivolt ignition system -**

Stove can operate without electricity; excellent source of heat during power outages.

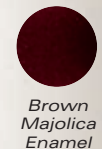
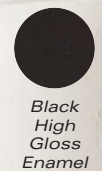
**Wall thermostat -**

Thermostat turns unit on and off and maintains the home at preset comfort level. Desired heat is maintained automatically. Optional programmable thermostat is also available.



Refer to pages 23-26 for venting configuration and technical specifications.

*Tucson Direct-Vent featured with gray soapstone and seafoam majolica enamel finish.*



**Tucson Gas-Fired Stove**

	Direct-Vent - Model 8701	B-Vent - Model 8720	Vent-Free (non-catalytic) - Model 8745
Burn Rate Range:	13,000 - 26,000 BTUs / hr.	13,000 - 26,000 BTUs / hr.	13,500 - 20,000 BTUs / hr.
EnerGuide Rating:	62.7%		
Steady State Efficiency:	71 - 82.5%	74 - 83%	99%
Heating Area:	1,200 sq. ft.	1,200 sq. ft.	1,200 sq. ft.
Stone Finish:	Polished Gray Soapstone, Aztec Green Marble, Autumn Brown, Dakota Red, Misty Mauve, Black Orion Granite		
Casting Finish:	Cast iron available in a variety of HearthStone enamel and matte finishes		

*the* **TUCSON**  
GAS-FIRED STOVE

**Three-way on/off/thermostat switch -**

Allows you to flip the stove on for instantaneous fire, or to control the stove from the wall thermostat, or to turn it off.

**Variable speed fan with thermostat (optional) -**

Heated air is moved throughout the home for more uniform temperature. Thermostat monitors stove body temperatures and automatically controls fan (not available on vent-free model).

**Remote controls (optional) -**

Simple "on/off" and thermostatic remote controls allow the fire to be controlled from across the room. Temperature is controlled by the thermostat located within the remote itself.

**Direct-Vent Model**

**Sealed firebox / Direct-Vent technology -**

Air for combustion is drawn from outside the home, reducing cold air drafts; greater efficiency due to not using heated room air for combustion.

**Through-the-wall venting option -**

Vent pipe can be installed through an exterior wall with only a short rise of vertical pipe exposed. An inconspicuous terminus on the outside wall completes the installation. Vent pipe can be installed through an exterior wall with just the pipe elbow exposed. Special terminus on the outside wall required to provide necessary vertical rise.

**Through-the-roof venting option -**

Stove can be installed in an interior location with the vent pipe terminating above the roof. Stove can also be installed through an existing fireplace or Class A chimney using special adapters; great option if replacing a woodstove.

**B-Vent Model**

**Reversible flue collar -**

Can be attached to the venting either horizontally or vertically. Can be vented through an existing fireplace or masonry chimney, minimizing installation costs.

**B-Vent chimney system -**

Very economical for new installations where an interior wall location is preferred.

**Vent-Free Model**

**No chimney required -**

99% efficient; no heat loss up a chimney, all the heat goes into the room; lower installation costs.

**Oxygen Depletion Sensor (ODS) -**

Room oxygen levels are monitored for safe levels.

**Catalytic Conversion Kit (optional) -**

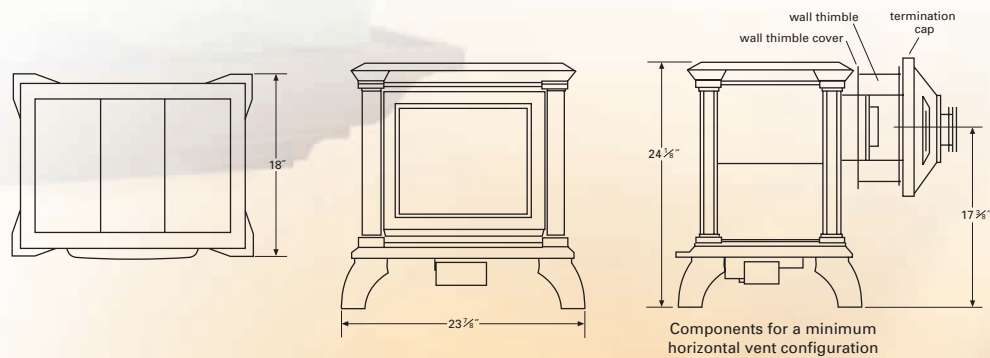
Vent-free model only.



*how quickly the desert cools down at night. One minute the sun is high in the sky, blazing white, and the next, everything is bathed in a gauzy gray-blue; the desert flowers are closed tight, and the sandy desert floor chills your bare feet. Time to head inside, to map out tomorrow's discoveries, and warm yourself by your HearthStone stove.*

The Tucson is a powerful gas heater, hardworking enough to keep smaller spaces wonderfully warm. The Tucson's stone and cast iron design helps distribute heat quickly and evenly, while its cast iron double heat exchanger helps maximize heating efficiency. And, with an adjustable flame control, the Tucson lets you control the amount of heat you want ... either for greater warmth or just the romantic ambiance of gentle flames. It's also among our most versatile, gas-fired stoves, available in three different venting configurations to make installation simple and convenient.

Note: Always refer to the HearthStone Owner's Manual and the local authority having jurisdiction in your area for the specific installation requirements for your stove.



Optional soapstone rear facade and optional blower

Refer to pages 23-26 for venting configuration and technical specifications.



Tribute Direct-Vent featured with polished gray soapstone and brown majolica enamel finish.

Painted Matte Black

Blue/Black Satin Enamel

Black High Gloss Enamel

Brown Majolica Enamel

Seafoam Majolica Enamel

### Tribute Direct-Vent – Model 8050

Burn Rate Range: 10,500 - 18,000 BTUs/hr. • EnerGuide Rating: 72.71%

Steady State Efficiency: 70 – 82% • Heating Area: Up to 900 sq. ft.

Stone Finish: Polished Gray Soapstone, Aztec Green Marble, Autumn Brown Granite

Casting Finish: Cast iron available in a variety of HearthStone enamels and matte finishes

# the TRIBUTE-DV

## GAS-FIRED STOVE



The fun never ends.

Thirty trips up the hill, and he still wants to go again. You're both wet, your faces are flushed with that mellow feeling that comes from exertion and contentment. It's time to head home, a nap for him, a soft couch for you. You settle in, relax, and soak up the warmth from your HearthStone stove, and remember the moments.

The warmth and beauty of a luminous gas fire. The HearthStone Tribute brings it all home, along with the sustained warming benefits of soapstone. A mid-size, direct-vent gas-fired stove, the Tribute will keep a full-size room, up to 900 square feet, comfortably cozy throughout the day. And, its large glass doors make for an entrancing flame display ... hour after hour.

#### Certified room heater with double heat exchange system –

Increased stove efficiency; less heat lost up the chimney results in more usable heat for less money.

#### Millivolt ignition system –

Operates without electricity; excellent source of heat during power outages.

#### Wall thermostat –

Thermostat turns unit on and off and maintains the home at preset comfort level. Desired heat is maintained automatically. Optional programmable thermostat is also available.

#### Three-way on/off/thermostat switch –

Allows you to flip the unit on or off for instantaneous fire, to control from the wall thermostat, or to turn it off.

#### Adjustable heat output –

Variable, flame-height control with 50% pressure reduction for fire viewing when less heat is desired.

#### Stone Rear Facade (optional) –

Allows for placement in the center of a room with a beautiful, decorator finish from all angles.

#### Variable-speed fan (optional) –

Heated air is moved throughout the home for more uniform temperature. Sensor monitors temperature and automatically turns the fan on or off. You set the speed of the fan.

#### Remote controls (optional) –

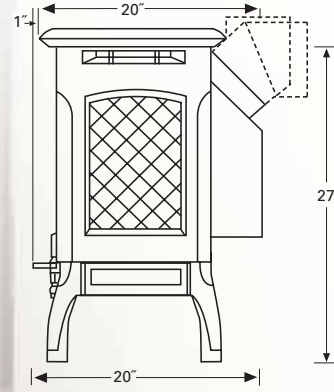
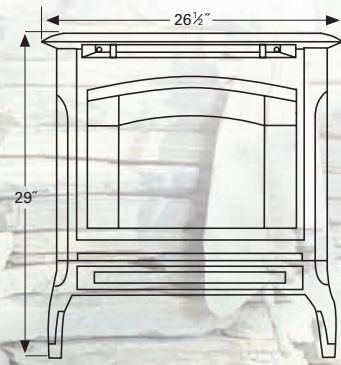
Simple "on/off" and thermostatic remote controls allow the fire to be controlled from across the room. Temperature is controlled by the thermostat located within the remote itself.

#### Firebox screen kit (optional) –

Enhances flame aesthetics. The firebox glass "disappears" from viewing, leaving only the dancing flames and glowing logs.

# the CHAMPLAIN

GAS-FIRED STOVE



Champlain featured with black high gloss enamel finish.

Refer to pages 23-26 for venting configuration and technical specifications.



Painted Matte Black



Blue/Black Satin Enamel



Black High Gloss Enamel



Brown Majolica Enamel

## Champlain All-Cast Iron, Gas-Fired Stove – Model 8301

Burn Rate Range: Direct-Vent - 18,000 - 35,000 BTUs / hr. • EnerGuide Rating: 63.1%

Steady State Efficiency: 72 – 83% • Heating Area: Up to 1,800 sq. ft.

Casting Finish: Cast iron available in a variety of

HearthStone enamel and matte finishes

### Certified room heater with double heat exchange system –

Increased stove efficiency; less heat lost up the chimney results in more usable heat for less money.

### Millivolt ignition system –

Stove can operate without electricity; excellent source of heat during power outages.

### Wall thermostat –

Thermostat turns stove on and off and maintains the home at preset comfort level. Desired heat is maintained automatically. Optional programmable thermostat is also available.

### Three-way on/off/thermostat switch –

Allows you to flip the stove on for instantaneous fire, to control the stove from the wall thermostat, or to turn it off.

### Adjustable heat output –

All the pleasures of fire-viewing ambiance, even when little room heat is desired.

### Sealed firebox/ Direct-Vent technology –

Air for combustion is drawn from outside the home, reducing cold air drafts; greater efficiency due to not using heated room air for combustion.

### Through-the-wall venting option –

Vent pipe can be installed through an exterior wall with two-foot vertical rise for an unobtrusive look. An inconspicuous terminus on the outside wall completes the installation. No cuts are necessary through your ceiling or roof.

### Through-the-roof venting options –

Vent pipe can be installed through an interior location with the vent pipe terminating above the roof. The stove may also be installed through an existing fireplace or Class A chimney using available adapters.

### Variable speed fan with thermostat (optional) –

Heated air is moved throughout the home for more uniform temperature. Thermostat monitors stove body temperatures and automatically controls fan.

### Remote controls (optional) –

Simple “on/off” and thermostatic remote controls allow the fire to be controlled from across the room. Temperature is controlled by the thermostat located within the remote itself.



*It didn't really matter*

*that you'd stood knee-deep in the creek for hours trying to hook a trout. It didn't really matter when lunch turned out to be tuna fish sandwiches, instead of the*

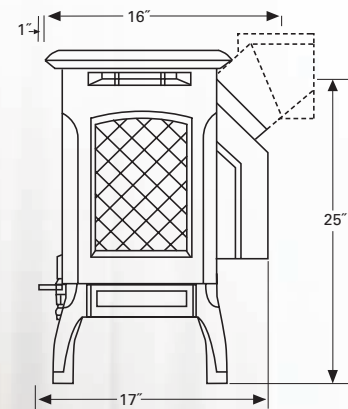
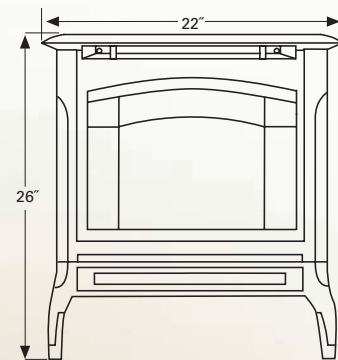
*fish fry you'd planned. What mattered was the chance to sit together around your HearthStone stove at the end of the day, swapping fish tales, laughing, and sharing the warmth.*

Both classic and functional, the Champlain cast-iron, Direct-Vent, gas-fired stove is as striking as it is hard-working. One of our larger cast iron stoves, the Champlain has a double heat exchange system to make it extra efficient. An included wall thermostat lets you maintain heat at a preset comfort level. An optional remote control allows you to control the stove without having to get up from your comfy spot in the room. And as with all HearthStone gas stoves, the variable, flame-height adjuster lets you control the rate of heat output.



# the STOWE

GAS-FIRED STOVE



Refer to pages 23-26 for venting configuration and technical specifications.

Stowe featured with almond high gloss enamel finish.



## Stowe All-Cast Iron, Gas-Fired Stove - Model 8321

Burn Rate Range: Direct-Vent - 13,000 - 26,000 BTUs / hr. • **EnerGuide Rating:** 62.7%

Steady State Efficiency: 71 – 82.5% • **Heating Area:** Up to 1,200 sq. ft.

**Casting Finish:** Cast iron available in a variety of HearthStone enamel and matte finishes

### Certified room heater with double heat exchange system -

Increased stove efficiency; less heat lost up the chimney results in more usable heat for less money.

### Millivolt ignition system -

Stove can operate without electricity; excellent source of heat during power outages.

### Wall thermostat -

Thermostat turns stove on and off and maintains the home at preset comfort level. Desired heat is maintained automatically. Optional programmable thermostat is also available.

### Three-way on/off/thermostat switch -

Allows you to flip the stove on for instantaneous fire, to control the stove from the wall thermostat, or to turn it off.

### Adjustable heat output -

All the pleasures of fire-viewing ambiance, even when little room heat is desired.

### Sealed firebox/ Direct-Vent technology -

Air for combustion is drawn from outside the home, reducing cold air drafts; greater efficiency due to not using heated room air for combustion.

### Through-the-wall venting option -

Vent pipe can be installed through an exterior wall with two-foot vertical rise for an unobtrusive look. An inconspicuous terminus on the outside wall completes the installation. No cuts are necessary through your ceiling or roof.

### Through-the-roof venting options -

Vent pipe can be installed through an interior location with the vent pipe terminating above the roof. The stove may also be installed through an existing fireplace or Class A chimney using available adapters.

### Variable speed fan with thermostat (optional) -

Heated air is moved throughout the home for more uniform temperature. Thermostat monitors stove body temperatures and automatically controls fan.

### Remote controls (optional) -

Simple "on/off" and thermostatic remote controls allow the fire to be controlled from across the room. Temperature is controlled by the thermostat located within the remote itself.



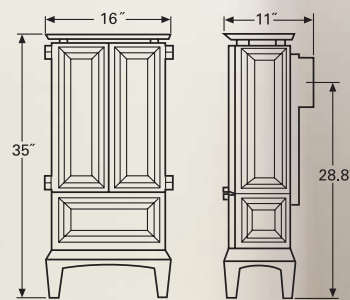
The wind picks up on the shore.

The gulls seem to take notice, lining up on the pier and the rocks.

The sky, bleached white only an hour ago, reconfigures to a brilliant, rose-colored sunset, and you begin the process of gathering towels, bags, and children and heading for the little beachside cottage.

There, waiting for you are slippers and blankets and a cozy spot next to your *HearthStone* gas stove. Perfect.

In fine cast iron, beautiful and efficient, the Stowe Direct-Vent, gas-fired stove is an asset to any home. The Stowe is perfect for heating a small to mid-size home, or simply to provide the ambiance of a beautiful, flickering fire when the heat is dialed down. The Stowe features a large window, realistic log presentation, and decorator-embossed details and can be vented either through your roof or through an exterior wall. Its variable, flame-height adjuster lets you control the heat's intensity from high down to a gentle, slow, sustained heat.



**Tudor Heirloom**

Heirloom featured with brown majolica enamel finish and autumn brown granite facade.



**Tudor Keepsake**

Keepsake featured with brown majolica enamel finish and cast iron panels with door grills.



**Tudor Curio**

Curio, shown with legs removed, featured with blue black satin enamel finish and cast iron facade. (Removal of leg base reduces height by 4 7/8".)



**The Tudor Gas-Fired Stoves – Model 8120**

**Burn Rate Range:** Direct-Vent - 7,000 - 12,000 BTUs / hr. • **EnerGuide Rating:** 61.4%  
**Steady State Efficiency:** 70 – 82% • **Heating Area:** Up to 600 sq. ft.  
**Stone Finish:** Polished Gray Soapstone, Autumn Brown Granite, Kashmir Gold Granite  
**Casting Finish:** Cast iron available in a variety of HearthStone enamels and matte finishes



Award Winner for **BEST NEW GAS STOVE!**

**Our smallest, most versatile gas stove.**

Change the look by changing the stones. Leave doors open or close them to block the illumination at night.

**Certified room heater with double heat exchange system –**

Increased stove efficiency; less heat lost up the chimney means more usable heat for less money.

**Adjustable heat output –**

All the pleasure of fire-viewing ambiance, even when little room heat is required.

**Millivolt ignition system –**

Stove can operate without electricity; excellent source of heat during power outages.

**Wall thermostat –**

Thermostat turns unit on and off and maintains the home at preset comfort level. Desired heat is maintained automatically. Optional programmable thermostat is also available.

**Three-way on/off/thermostat switch –**

Allows you to flip the stove on for instantaneous fire, to control the stove from the wall thermostat, or to turn it off.

**Sealed firebox / Direct-Vent technology –**

Air for combustion is drawn from outside the home, reducing cold air drafts; greater efficiency due to not using heated room air for combustion.

**Remote controls (optional) –**

Simple “on/off” and thermostatic remote controls allow the fire to be controlled from across the room. Temperature is controlled by the thermostat located within the remote itself.

**Choose your own custom tiles (optional) –**

Requires 16 – 6” x 6” tiles and a special installation kit # Part 91-68200.

*the* **Tudor Collection**  
**GAS-FIRED STOVES**



*The quiet*

*is comforting and deeply relaxing. Time to yourself to drift off, warmed by the gently flickering flames of the gas fire in your HearthStone Tudor, and the delicious ambiance it creates. Gazing into the embers, serenity and contentment overtake any thoughts of work. Tomorrow will come along eventually of course, with its hectic pace and busy thrum of chores. But right now, before the glowing fire, calm and stillness fill the room and your thoughts.*

Decorative, versatile, and just the right size to fit into smaller spaces, the HearthStone Tudor provides warmth and ambiance with a designer touch. Think of it as an elegant piece to accessorize a powder room, den, foyer, or smaller bedroom. Available in a collection of decorator colors and finishes, the Tudor completes a room’s decor, bringing richness and warmth as you view the firelight through its large, showcase window. Its diminutive size and footprint allow it to sit closer to walls than other gas models, and it can even be vented directly through an outside wall.

Note: Always refer to the HearthStone Owner’s Manual and the local authority having jurisdiction in your area for the specific installation requirements for your stove.



*Tudor Keepsake featured with caramel enamel finish and cast iron panels with door grills.*

The Tudor stoves are HearthStone's smallest, most versatile gas stoves ever. Each stove in the collection is a beautiful piece of furniture that will enrich any room in your home – bedroom, porch, bathroom, foyer, kitchen, or den. The two, large double doors open fully to the side to allow you to enjoy the fire through the large, vertical window. You may choose to leave the doors closed to warm without light from the fire. The Tudor can be installed closer to the wall than any other gas model and can be installed directly on a wood floor, carpeting, or vinyl tile. It vents directly through an outside wall and has a very small footprint. It's the perfect little stove.

# the Tudor Collection

GAS-FIRED STOVES



*Tudor Curio featured with blue/black satin enamel finish and cast iron facade.*



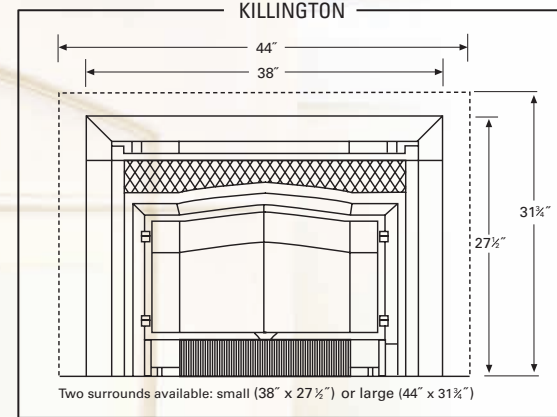
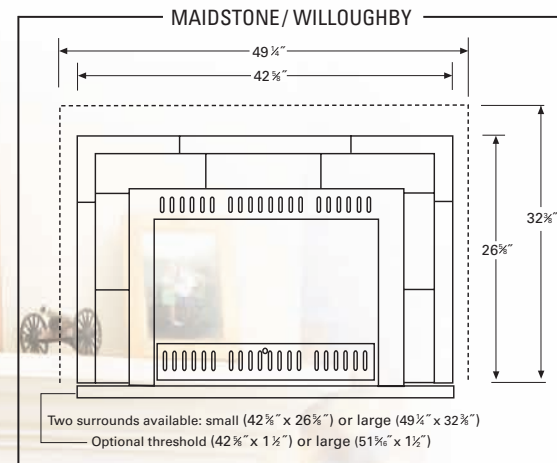
*Tudor Heirloom featured with painted matte black finish and gray soapstone facade.*



Willoughby facade featured with blue/black satin enamel finish, small surround, cast panels and threshold.



Killington featured with blue/black satin enamel finish and cast iron facade.

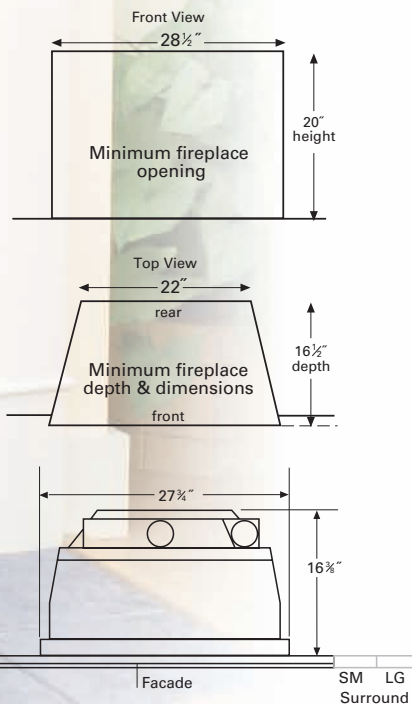


Maidstone facade featured with blue/black satin enamel finish, small surround and polished gray soapstone.



Maidstone

Refer to pages 23-26 for venting configuration and technical specifications.



-  Painted Matte Black
-  Blue/Black Satin Enamel
-  Brown Majolica Enamel

**Direct-Vent DVI-Ht Gas-Fired Inserts – Model 8890**

Burn Rate Range: Direct-Vent - 13,000 - 33,000 BTUs / hr. • **EnerGuide Rating:** 67.71%  
 Steady State Efficiency: 74 – 83% • **Heating Area:** Up to 1,500 sq. ft.  
 Casting Finish: Cast iron available in a variety of HearthStone enamels and matte finishes.  
 Stone Panels (Maidstone & Willoughby): Polished Gray Soapstone, Autumn Brown Granite

*the* **DVI-Ht**  
 GAS-FIRED INSERTS



More  
 and more

**Large or small surrounds –**  
 Available in two surround sizes to fit your fireplace.

**Certified room heater –**  
 Increased efficiency; less heat lost up the chimney results in more usable heat for less money.

**Millivolt ignition system –**  
 Insert can operate without electricity; excellent source of heat during power outages.

**“One touch” piezo ignition –**  
 Battery-operated ignition system for easy lighting.

**Wall thermostat –**  
 Thermostat turns unit on and off and maintains the home at preset comfort level. Desired heat is maintained automatically. Optional programmable thermostat is also available.

**Variable-speed fan –**  
 Heated air is moved throughout the home for more uniform temperature. Sensor monitors insert's temperature and automatically turns the fan on or off. You set the speed of the fan.

**Three-way on/off/thermostat switch –**  
 Allows you to flip the unit on or off for instantaneous fire, to control the insert from the wall thermostat, or to turn it off.

**Adjustable heat output –**  
 Variable, flame-height control with 70% pressure reduction for fire viewing when less heat is desired.

**Remote controls (optional) –**  
 Simple “on/off” and thermostatic remote controls allow the fire to be controlled from across the room. Temperature is controlled by the thermostat located within the remote itself.

**Firebox screen kit (optional) –**  
 Enhances flame aesthetics and reduces hearth requirement. The firebox glass “disappears” from viewing, leaving only the dancing flames and glowing logs.

**Universal Threshold (optional) –**  
 Raises the insert 1 1/2” as a decorative option or to help fill fireplace opening. Available in Painted Matte Black, Blue/Black Satin Enamel or Brown Majolica Enamel. Small (42 1/2” x 1 1/2”), large (51 1/2” x 1 1/2”).

*you find this is the moment you look forward to each day.  
 Pulling into the driveway, opening the front door, hearing the familiar voices greeting you, mixed with the patter of a pet's paws heading across the floor boards to welcome you home. And then, sitting down in comfy clothes, turning up your HearthStone gas insert, and just unwinding.*

Imagine your fireplace – the focal point of any room, where friends and family just naturally gather around – made even more efficient by adding a 33,000 BTUs Direct-Vent Insert (DVI-Ht). Gas-fired and designed to fit perfectly into your fireplace, the DVI-Ht features a double heat exchanger that allows less heat up the chimney, more into your home. Adjust the flame height upwards, and the DVI-Ht will keep you warm and comfortable. Or, adjust it down – and enjoy a gentle warmth along with a beautiful flame display.

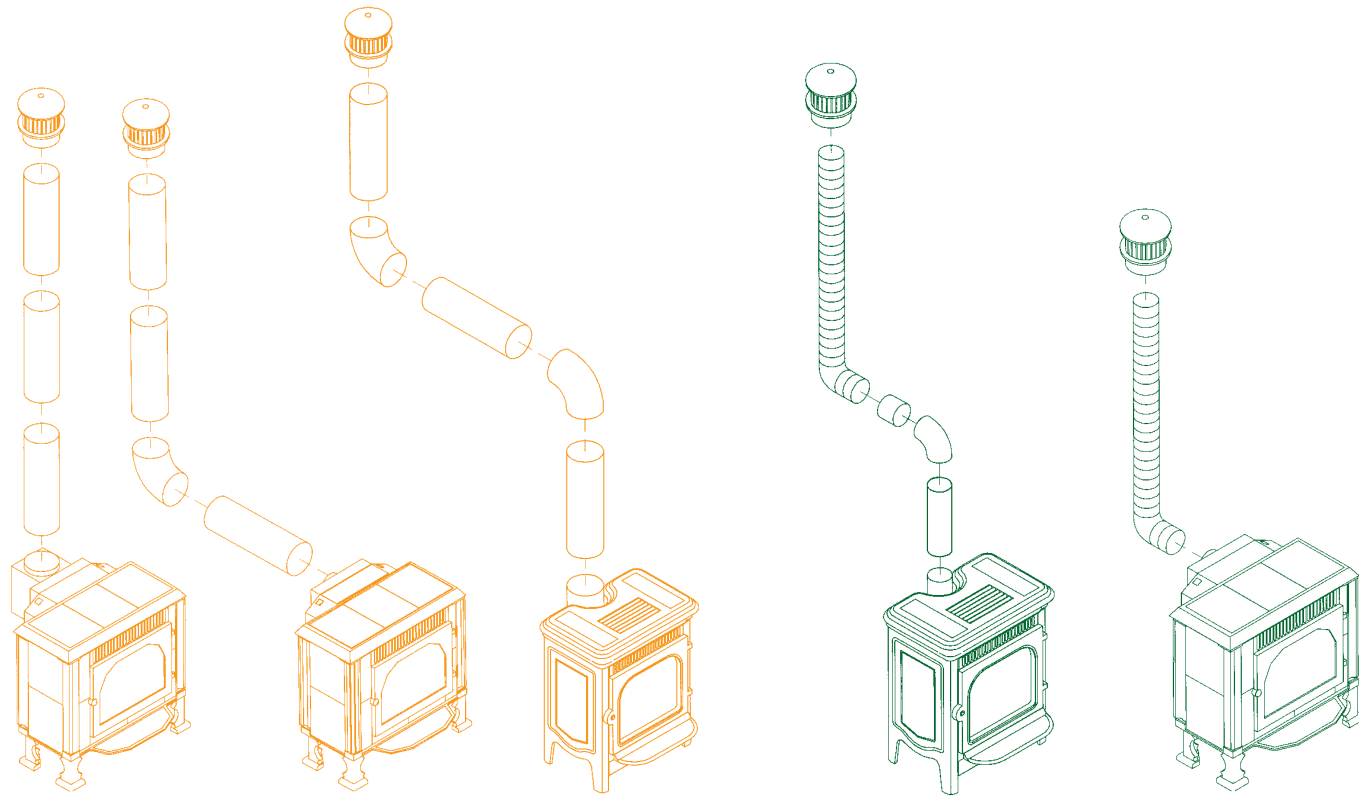
*Note: Always refer to the HearthStone Owner's Manual and the local authority having jurisdiction in your area for the specific installation requirements for your stove.*

# Venting options guide



All venting options shown for both B-Vent and Direct-Vent gas-fired units represent typical installations. For your specific venting needs, see your dealer and/or consult the installation instructions provided with your unit. HearthStone recommends your unit be installed by a qualified gas technician. HearthStone develops and tests its Direct-Vent units using fine quality venting products. Your dealer can supply you with the appropriate venting components.

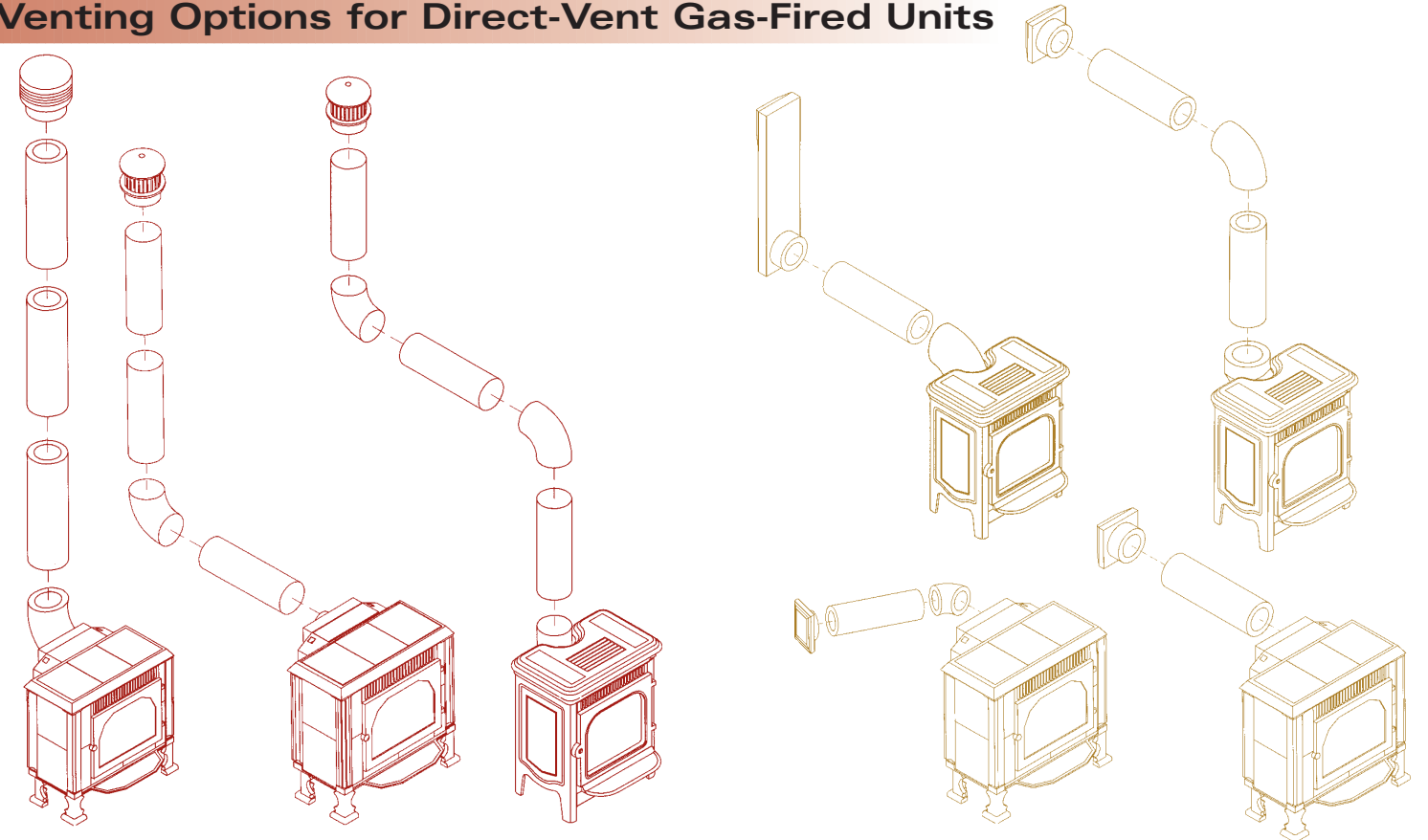
## Venting Options for B-Vent Gas-Fired Units



Vertical venting terminations for new installations (all freestanding models)

Vertical venting terminations for retrofitting existing chimneys and fireplaces (all freestanding models)

## Venting Options for Direct-Vent Gas-Fired Units

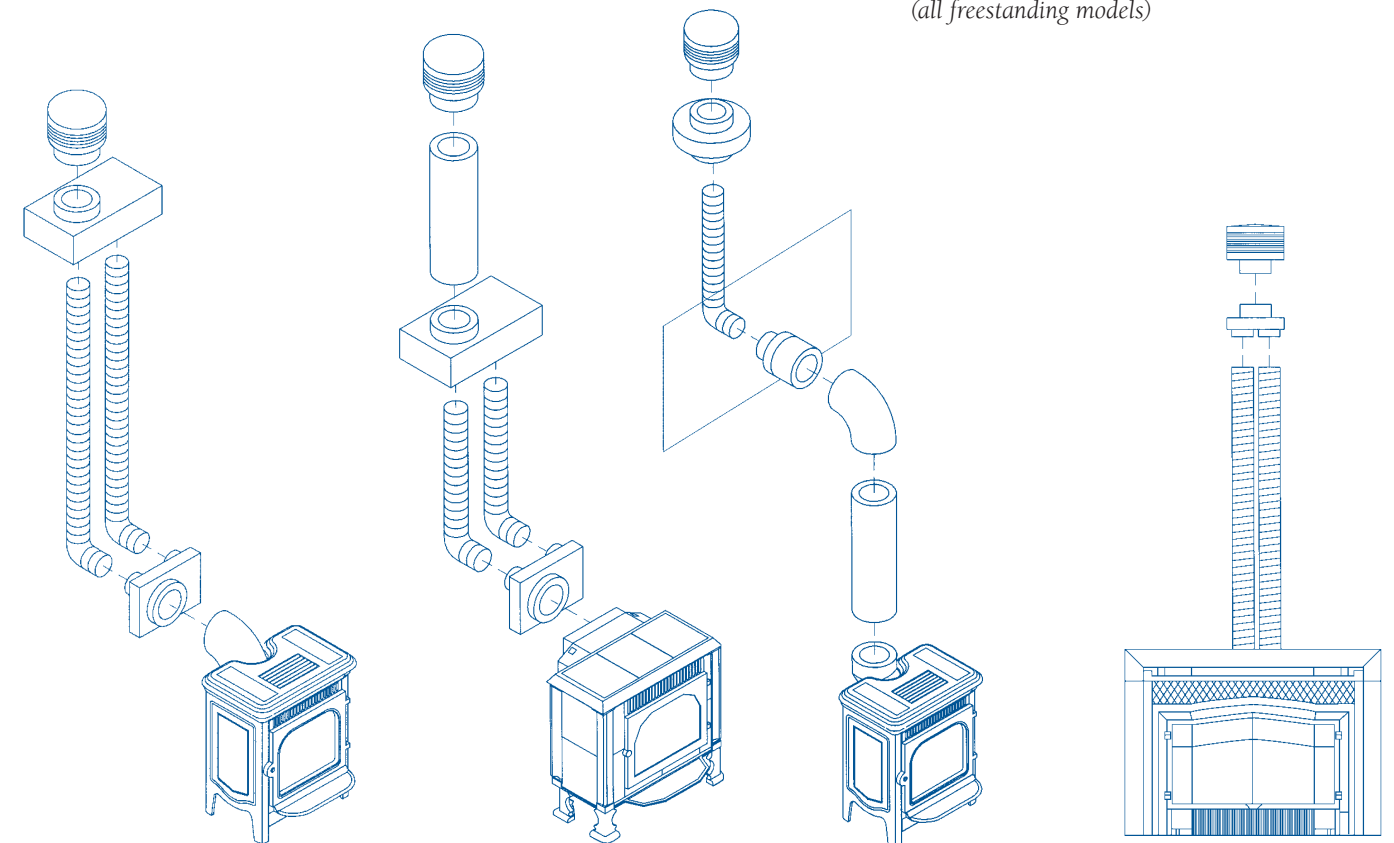


Vertical venting terminations for new installations (all freestanding models)

Corner installation:  
No rise; Sterling,  
Tribute-DV, Tudor

Parallel installation:  
No rise; Sterling,  
Tribute-DV, Tudor

Horizontal venting terminations for new installations (all freestanding models)

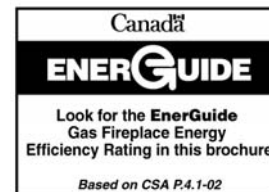


Vertical venting terminations for retrofitting existing chimneys (freestanding models and fireplace inserts)

## HEARTHSTONE GAS -FIRED STOVES

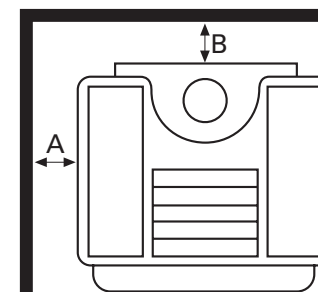
	Sterling-Ht		Santa Fe	Tucson			Tribute-DV	Champlain	Stowe	Tudor	DVI-Ht	
Specifications:	Direct-Vent	B-Vent	Direct-Vent	Direct-Vent	B-Vent	Vent-Free	Direct-Vent	Direct-Vent	Direct-Vent	Direct-Vent	Direct-Vent	
Width	29 1/2"	27"	25"	21"	21"	21"	23-7/8"	26-1/2"	22"	16"	27-3/4"	
Height	27"	27"	27"	25"	25"	25"	24-1/8"	29"	26"	35"	19-3/4"	
Depth	20-3/4"	24"	22"	17-1/2"	19-1/2"	17-1/2"	21-1/2"	20"	17"	11"	16"	
Flue diameter	4 x 6-5/8" or 5 x 8"	4"	4 x 6-5/8"	4 x 6-5/8"	4"	n/a	6"	4 x 6-5/8"	4 x 6-5/8"	4 x 6-5/8"	two 3" co-linear	
Flue exit	rear, or top exit with adapter	reversible, top or rear	45 degree exit	45 degree exit	reversible, top or rear	n/a	rear exit	45 degree exit	45 degree exit	rear exit	top exit	
Available for NG or LP	yes	yes	yes	yes	yes	yes	yes	yes	yes	yes	yes	
Optional blower kit	yes	yes	yes	yes	yes	no	yes	yes	yes	no	included	
Wall thermostat and thermostat wire	included	included	included	included	included	included	included	included	included	included	included	
Built-in three-way "on-off-thermostat" switch	included	included	included	included	included	included	included	included	included	included	included	
Programmable thermostat compatible	yes	yes	yes	yes	yes	yes	yes	yes	yes	yes	yes	
Remote control compatible	yes	yes	yes	yes	yes	yes	yes	yes	yes	yes	yes	
Mobile home certified	yes	yes	yes	yes	yes	yes	yes	yes	yes	yes	yes	
Actual weight (lbs)	230	230	205	155	155	155	185	220	160	130	185	
Shipping weight (lbs) (1)	260	260	220	200	200	200	210	260	200	155	215 (1)	
<b>Performance:</b>												
ENERGUIDE rating (2)	74%		63.1%	62.7%			72.71%	63.1%	62.7%	61.4%	67.71%	
"Variable flame height" BTU range (3)	12,000 to 38,000	20,000 to 40,000	18,000 to 35,000	13,000 to 26,000	13,000 to 26,000	13,500 to 20,000	10,500 to 18,000	18,000 to 35,000	13,000 to 26,000	7,000 to 12,000	13,000 to 33,000	
Steady state efficiency (4)	74 - 83%	80 - 88%	72 - 83%	71 - 82.5%	74 - 83%	99%	70 - 82%	72 - 83%	71 - 82.5%	70 - 82%	74 - 83%	
AFUE (4)	74	74	72	71	74	-	72	72	71	70	74	
Heating capacity (5): up to ...	1,800 sq ft	1,800 sq ft	1,800 sq ft	1,200 sq ft	1,200 sq ft	1,200 sq ft	900 sq ft	1,800 sq ft	1,200 sq ft	600 sq ft	1,500 sq ft	
<b>Clearances: (6)</b>												
	<b>Key</b>											
Minimum clearance to combustibles												
Side	A	4"	4"	4"	2"	2"	2"	2"	4"	2"	8"	n/a
Rear	B	2"	2" (7)	2"	3"	2"	2"	1.5"	2"	3"	0"	n/a
Corner	C	3"	2"	2"	2"	2"	2"	2"	2"	2"	1"	n/a

- (1) Shipping weight includes facade and small surround.
- (2) EnerGuide is a Government of Canada rating system that provides consumers with comparative information on the energy performance of energy-using products sold in Canada. For more information on the EnerGuide Program, please go to the EnerGuide web site at: [www.oeenr.gc.ca/equipment/](http://www.oeenr.gc.ca/equipment/)
- (3) Ratings shown are with NG; LP ratings are similar.
- (4) Steady state efficiencies vary dependent upon installation, venting configuration, altitude, gas values, and other installation variables.
- (5) Heating capacity is an approximation dependent upon floor plan, house construction, venting configuration, heat loss, and geographic location of home.
- (6) Clearances on this page are for reference only. Refer to Owner's Manual for exact specifications prior to installation.
- (7) 6" if using single-wall B-Vent pipe.

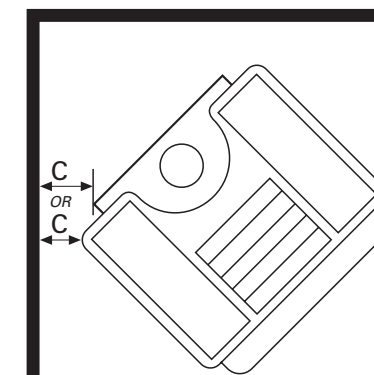


Installation: Check with state and local codes, as well as gas suppliers, regarding installation of gas products. Install in accordance with manufacturer's instructions and local codes, if any; if not, follow: ANSI Z223.1 (NFPA54) U.S. or current CAN/CGAB 149 (Canada).

Parallel Installation



Corner Installation



C: cast or steel, whichever is closer to the wall

NOTE: All measurements are taken from the closest surface of the unit.

# HEARTHSTONE'S WOODSTOVE COLLECTION

All HearthStone woodstoves are non-catalytic making them easier to operate and maintain. Additionally, various exclusive design features make them easy to load and clean, all of which makes HearthStone woodstoves extremely reliable and maintenance free. The air wash system built into every stove prevents the window glass from fogging or discoloring – making the large windows “self-cleaning” to maximize your view of the roaring fire or gently flickering flames.

We combine time-tested craftsmanship and materials with the latest heating technology to ensure our stoves are clean-burning and efficient. We take great pride in the fact that our own environmental standards exceed even the strictest EPA guidelines.

## Mansfield Woodstove – Model 8011

*Heats a large home with ease.*

- Size: 80,000 BTUs
- Heats up to: 2,500 sq. ft.
- EPA Rating: 2.8 grams per hour
- Maximum Log Length: 21"
- Stone Finish: Polished Gray Soapstone
- Casting Finish: Cast iron available in a variety of HearthStone enamel & matte finishes



## Heritage Woodstove – Model 8021

- Size: 55,000 BTUs
- Heats up to: 1,900 sq. ft.
- EPA Rating: 2.7 grams per hour
- Maximum Log Length: 21"
- Stone Finish: Polished Gray Soapstone
- Casting Finish: Cast iron available in a variety of HearthStone enamel & matte finishes



## Phoenix Woodstove – Model 8612

- Size: 60,000 BTUs
- Heats up to: 2,000 sq. ft.
- EPA Rating: 2.4 grams per hour
- Maximum Log Length: 21"
- Stone Finish: Polished Gray Soapstone
- Casting Finish: Cast iron available in a variety of HearthStone enamel & matte finishes



## Homestead Woodstove

*Your choice of hearth-mount (Model 8570-H) or freestanding (Model 8570-F).*

- Size: 50,000 BTUs
- Heats up to: 1,800 sq. ft.
- EPA Rating: 1.9 grams per hour
- Maximum Log Length: 21"
- Stone Finish: Polished Gray Soapstone
- Casting Finish: Cast iron available in a variety of HearthStone enamel & matte finishes

## Tribute Woodstove – Model 8040

- Size: 36,000 BTUs
- Heats up to: 1,300 sq. ft.
- EPA Rating: 2.9 grams per hour
- Maximum Log Length: 16"
- Stone Finish: Polished Gray Soapstone
- Casting Finish: Cast iron available in a variety of HearthStone enamel & matte finishes



**Bennington All-Cast Iron Woodstove – Model 8350**  
*Heats a large home with ease.*

Size: 70,000 BTUs  
 Heats up to: 2,200 sq. ft.  
 EPA Rating: 3.5 grams per hour  
 Maximum Log Length: 23"  
 Casting Finish: Cast iron available in a variety of HearthStone enamel & matte finishes



**Shelburne All-Cast Iron Woodstove – Model 8370**

Size: 50,000 BTUs  
 Heats up to: 1,800 sq. ft.  
 EPA Rating: 2.1 grams per hour  
 Maximum Log Length: 20"  
 Casting Finish: Cast iron available in a variety of HearthStone enamel & matte finishes



**Craftsbury Woodstove – Model 8390**

Size: 40,000 BTUs  
 Heats up to: 1,300 sq. ft.  
 EPA Rating: 3.0 grams per hour  
 Maximum Log Length: 17"  
 Casting Finish: Cast iron available in a variety of HearthStone enamel & matte finishes



**Clydesdale Wood Insert – Model 8490**

Size: 60,000 BTUs  
 Heats up to: 1,800 sq. ft.  
 EPA Rating: 3.2 grams per hour  
 Maximum Log Length: 22"  
 Casting Finish: Cast iron available in Matte Black or Blue/Black enamel



**Morgan Wood Insert – Model 8470**

Size: 40,000 BTUs  
 Heats up to: 1,200 sq. ft.  
 EPA Rating: 4.3 grams per hour  
 Maximum Log Length: 18"  
 Casting Finish: Cast iron available in Matte Black and Blue/Black enamels





