

System Quote Request Pages Available in This PDF

Click on the system you wish to view to jump to that page

[ARS – Aluminum Railing Systems](#)

[AWS – Aluminum Windscreen Systems](#)

[Barrier – Barrier Systems](#)

[GRS – Glass Railing Systems](#)

[CRS – Component Railing Systems](#)

[GRS Gate – Gate Systems and Hardware](#)

[HRS – Hand Railing Systems](#)

[P-Series – Post Railing System](#)

[WRS – Welded Post Railing System](#)



AWS Quote/Order Request Form

C.R. Laurence Co.

Fax Completed Checklist to C.R. Laurence Technical Sales at (800) 587-7501 in the U.S., or (323) 584-5289 (Canada and International). Then call to discuss: (800) 421-6144 (U.S.), (877) 421-6144 (Canada), or (323) 588-1281 (International). Ask for Extension 7730. This form is also available online at crlaurence.com.

Company Name _____
 Contact _____
 Job Name _____

Phone # _____
 Fax # _____
 Date _____

When you are ready to order, utilize this form to assist you in covering the details required to complete a Windscreen System installation. Going through this exercise should prevent you from overlooking any details related to your installation.

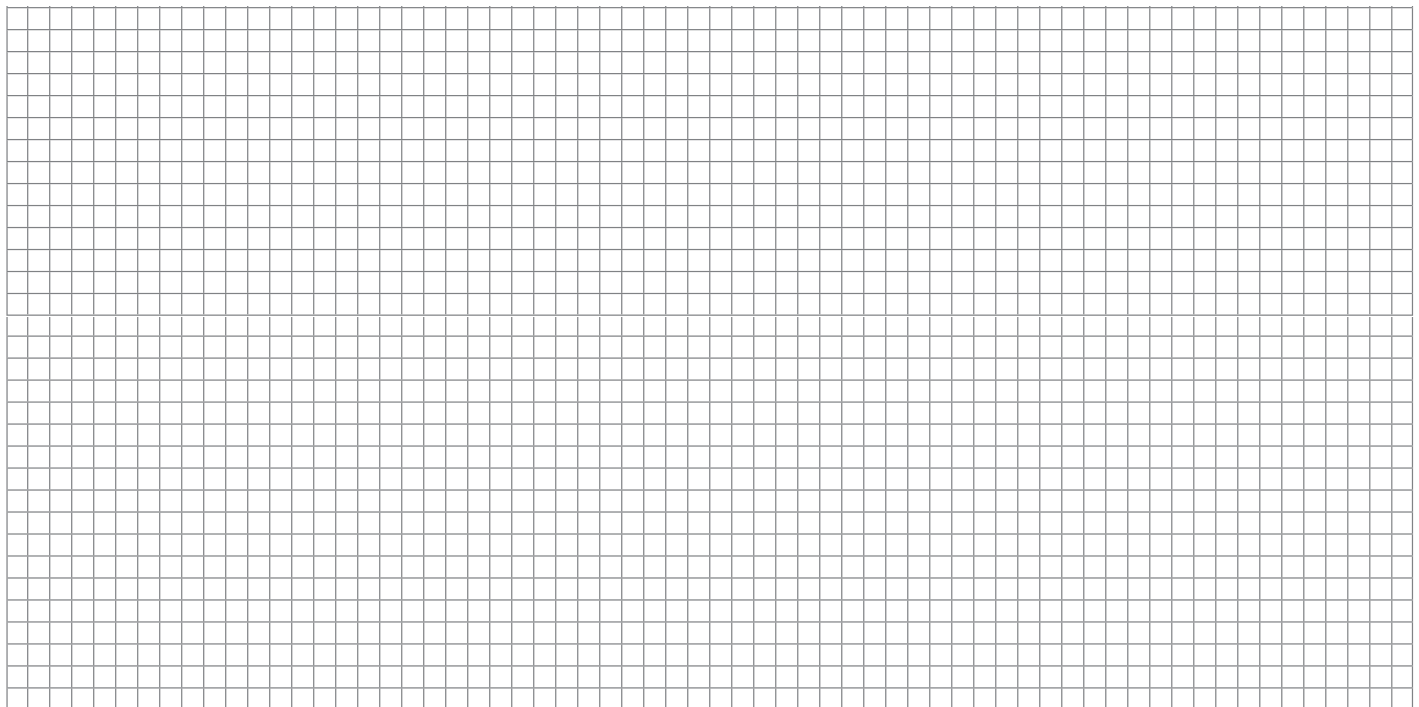
IMPORTANT: Depending on the complexity of your project, one or more of the following may be required to accurately order: sketches or drawings of your particular application with dimensions; printed architectural drawings or CAD files; photos of the job site conditions (digital images are preferable).

NOTE: A final sign off is required prior to any custom fabrication.

<p>WINDSCREEN SYSTEM</p> <p><input type="checkbox"/> Rectangular 2" x 2-5/8" (50.8 x 66.7 mm)</p> <p><input type="checkbox"/> Round 3" (76.2 mm) Diameter</p> <p><input type="checkbox"/> Square 4" x 4" (101.6 x 101.6 mm)</p>	<p>POST HEIGHT</p> <p><input type="checkbox"/> 36" (914 mm)</p> <p><input type="checkbox"/> 48" (1219 mm)</p> <p><input type="checkbox"/> 60" (1524 mm)</p> <p><input type="checkbox"/> 72" (1829 mm)</p> <p><input type="checkbox"/> Other _____</p>	<p>ELEVATED BOTTOM RAIL (OPTIONAL)</p> <p><input type="checkbox"/> 20'-1" (6.12 m) Bottom Rail</p> <p><input type="checkbox"/> 20'-1" (6.12 m) Bottom Rail Filler</p> <p><input type="checkbox"/> No Bottom Rail</p> <p><input type="checkbox"/> Other _____</p>	<p>GLASS THICKNESS</p> <p><input type="checkbox"/> 1/4" (6 mm)</p> <p><input type="checkbox"/> 3/8" (10 mm)</p> <p><input type="checkbox"/> 1/2" (12 mm)</p> <p><input type="checkbox"/> Other _____ (Glass not supplied by CRL)</p>
<p>POSTS NEEDED</p> <p><input type="checkbox"/> Ends _____</p> <p><input type="checkbox"/> 90 Degree Corners _____</p> <p><input type="checkbox"/> 180 Degree Centers _____</p> <p><input type="checkbox"/> 135 Degree Centers _____</p>	<p>SUBSTRATE</p> <p><input type="checkbox"/> Concrete</p> <p><input type="checkbox"/> Steel</p> <p><input type="checkbox"/> Wood</p> <p><input type="checkbox"/> Other _____</p>	<p>SURFACE MOUNT BOTTOM RAIL LENGTH (OPTIONAL)</p> <p><input type="checkbox"/> 36" (914 mm)</p> <p><input type="checkbox"/> 48" (1219 mm)</p> <p><input type="checkbox"/> 60" (1524 mm)</p> <p><input type="checkbox"/> 72" (1829 mm)</p> <p><input type="checkbox"/> No Bottom Rail</p> <p><input type="checkbox"/> Other _____</p>	<p>COLOR</p> <p><input type="checkbox"/> Sky White</p> <p><input type="checkbox"/> Oyster White</p> <p><input type="checkbox"/> Agate Gray</p> <p><input type="checkbox"/> Beige Gray</p> <p><input type="checkbox"/> Matte Black</p> <p><input type="checkbox"/> Matte Bronze</p> <p><input type="checkbox"/> Silver Metallic</p> <p><input type="checkbox"/> Unfinished Chromate</p> <p><input type="checkbox"/> Clad in Polished S.S. w/Flat Cap</p> <p><input type="checkbox"/> Clad in Satin S.S. w/Flat Cap</p> <p><input type="checkbox"/> Special (Specify) _____</p>
<p>POST ATTACHMENT</p> <p><input type="checkbox"/> Core Mount</p> <p><input type="checkbox"/> Fascia Mount</p> <p><input type="checkbox"/> Surface Mount</p> <p><input type="checkbox"/> Other _____</p>	<p>FLOOR CONDITION</p> <p><input type="checkbox"/> Flat</p> <p><input type="checkbox"/> Sloped (Degrees) _____</p>		



LAYOUT GRID TO SKETCH DESIGN





Quote/Order Request Form

C.R. Laurence Co.

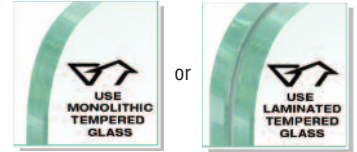
Fax Completed Checklist to C.R. Laurence Technical Sales at (800) 587-7501 in the U.S., or (323) 584-5289 (Canada and International). Then call to discuss: (800) 421-6144 (U.S.), (877) 421-6144 (Canada), or (323) 588-1281 (International). Ask for Extension 7730. This form is also available online at crlaurence.com.

Company Name _____
 Contact _____
 Job Name _____

Phone # _____
 Fax # _____
 Date _____

Important: Depending on the complexity of your project, one or more of the following may be required to accurately order: sketches or drawings of your particular application with dimensions; printed architectural drawings or cad files; photos of the job site conditions (digital images are preferable).

Stairway applications will require additional layout information. See typical layout drawing on page 240R that needs to be filled out at time of order. **NOTE:** A final sign off is required prior to any custom fabrication.



Glass Railing System Checklist Area:

GLASS RAILING STYLE

- Glass Rail System with Cap Rail
- Glass Rail System with Hand Rail Only
- Glass Rail System with Cap Rail and Hand Rail

GLASS RAILING HEIGHT

- 36" (914 mm)
- 42" (1067 mm)
- Other (Specify) _____

CAP RAIL SIZE

- 1-1/2" (38.1 mm)
- 2" (50.8 mm)
- 2-1/2" (63.5 mm)
- 3" (76.2 mm)
- 3-1/2" (88.9 mm)
- 4" (101.6 mm)
- Other (Specify) _____

CAP RAIL PROFILE

- Round Profile Cap Rail
- Square Profile Cap Rail
- Other (Specify) _____
- Oval Profile Cap Rail

FINISH

- Brushed Stainless Steel
- Polished Stainless Steel
- Polished Brass
- Satin Brass
- Wood (Specify Type) _____
- Custom Powder Coated Aluminum
- Custom (Specify) _____

GLASS THICKNESS

- 1/2" (12 mm) Monolithic Tempered Glass
- 5/8" (15 mm) Monolithic Tempered Glass
- 3/4" (19 mm) Monolithic Tempered Glass
- 9/16" (13.52 mm) Laminated Tempered Glass
- 11/16" (17.52 mm) Laminated Tempered Glass
- 27/32" (21.52 mm) Laminated Tempered Glass
- 1-1/16" (25.52 mm) Laminated Tempered Glass (Glass not supplied by CRL)

GLASS RAILING END CAPS

- Standard Applied Flat End Caps
- Stabilizing Wall Mount Flat End Caps
- Welded Flat End Caps
- Flat Wood End Caps (Specify) _____
- Dome Wood End Caps (Specify) _____
- Other (Specify) _____

GLAZING METHOD

- Dry Glazed with TAPER-LOC™ Tapers
- Wet Glazed with Kwixset® Expansion Cement

FLOOR SHIM/DRAIN BLOCKS

- Drain Blocks 1/2" (12.7 mm) Tall
- Weld Blocks (for Steel) 3/8" (9.5 mm) Tall
- None Required

BASE SHOE DRILLING

- Standard Drilling 12" (305 mm) on Center
- Standard Drilling 6" (152 mm) on Center
- Custom (Specify) _____

PRICE IN STOCK LENGTHS OR FABRICATED

- Stock Lengths
- Fabricated (Cut to Size by CRL)

ATTACHMENT/MOUNTING

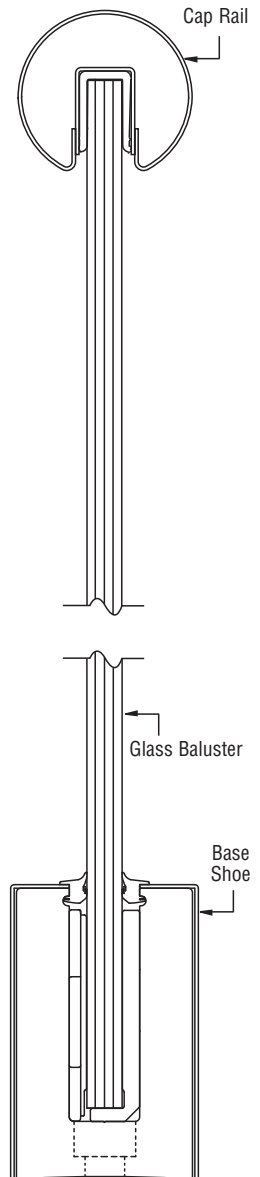
- Surface Mount (Top of Substrate)
- Embedded in Concrete Mount (Flush Set)
- Fascia Mount (Side Mounted)
- Other (Specify) _____

SUBSTRATE

- Concrete
- Steel
- Other (Specify) _____

FLOOR CONDITION

- Flat
- Sloped _____ Degrees





Custom Bending Quote/Order Request Form

new

Fax Completed Checklist to C.R. Laurence Technical Sales at (800) 587-7501 in the U.S., or (323) 584-5289 (Canada and International). Then call to discuss: (800) 421-6144 (U.S.), (877) 421-6144 (Canada), or (323) 588-1281 (International). Ask for Extension 7730. This form is also available online at crlaurence.com.

Company Name _____

Phone # _____

Contact _____

Fax # _____

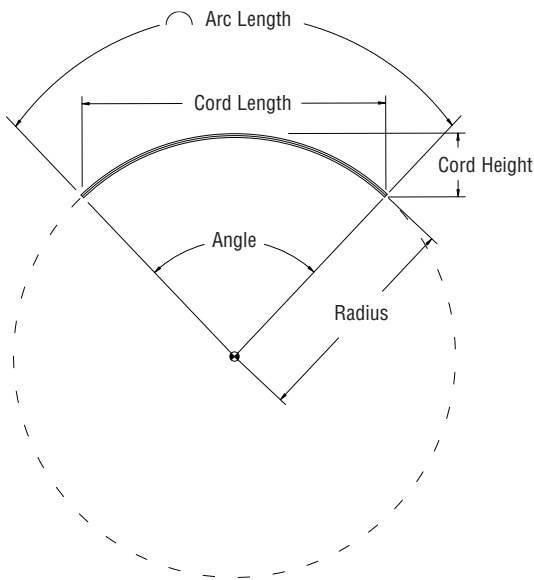
Job Name _____

Date _____

When you are ready to order, utilize this form to assist you in covering the details required to stretch form or roll form Cap Rail, Hand Rail, Base Shoe, and Base Shoe Cladding. Going through the exercise should prevent you from overlooking any details related to your installation.

Just a Few of the Products CRL Manufacturing Can Bend

- Cap Rails, Hand Rails, Base Shoes, and Cladding
- Channels and Structural Steel
- Architectural Metals and Metal Panels



HOW TO ORDER:

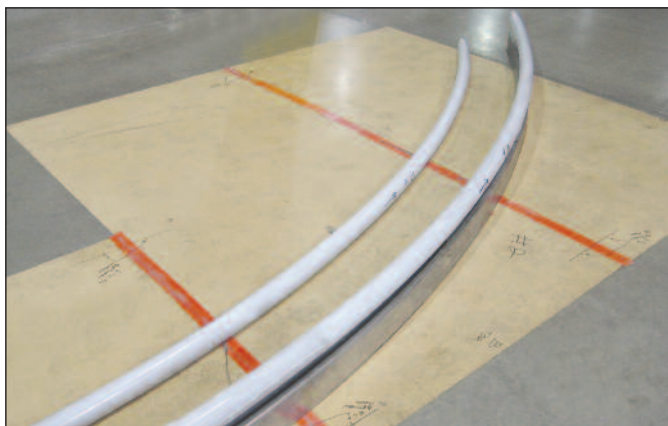
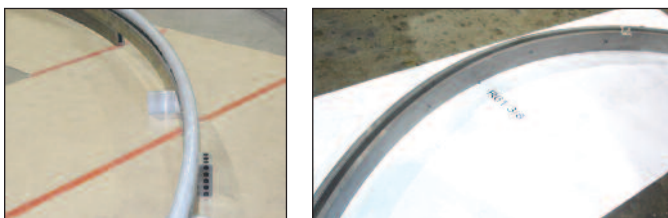
Field measure and/or specify each required dimension from the drawing to the left using center line dimensions. Remember all bent products will be shipped in long lengths and will need to be field fabricated to exact size by the customer. Below are the different measurements CRL looks for when placing orders.

- Usable Arc Length
- Center Line Cord Length
- Center Line Cord Height
- Center Line Radius
- Angle

CRL's Bent Railing Products are manufactured within acceptable industry tolerances, plus or minus 1/4" (6.3 mm) of the specified center line radius or shape. All bent products will be shipped in long lengths and will need to be field fabricated to exact size by the installer. If templates are sent in, they must be clearly marked where the center line of product is located. No paper templates will be accepted. If templates are required make sure they are made from plywood and or hardboard (Masonite) with the critical center line dimension points.

For GRS Glass Railing System applications, CRL highly recommends installing the base shoe first before ordering glass. If the glass is ordered at the same time the shoe is, the installer can run the risk that the glass may not fit the base shoe properly due to conflicts in tolerances.

IMPORTANT: Depending on the complexity of your project, one or more of the following may be required: sketches or drawings (with dimensions) of your particular application; printed architectural drawings or CAD files; photos (preferably digital) of job site conditions. **NOTE:** A final sign off is required prior to any custom fabrication. This form is also available online at crlaurence.com.



Date: _____ Company Name: _____ Your Name: _____

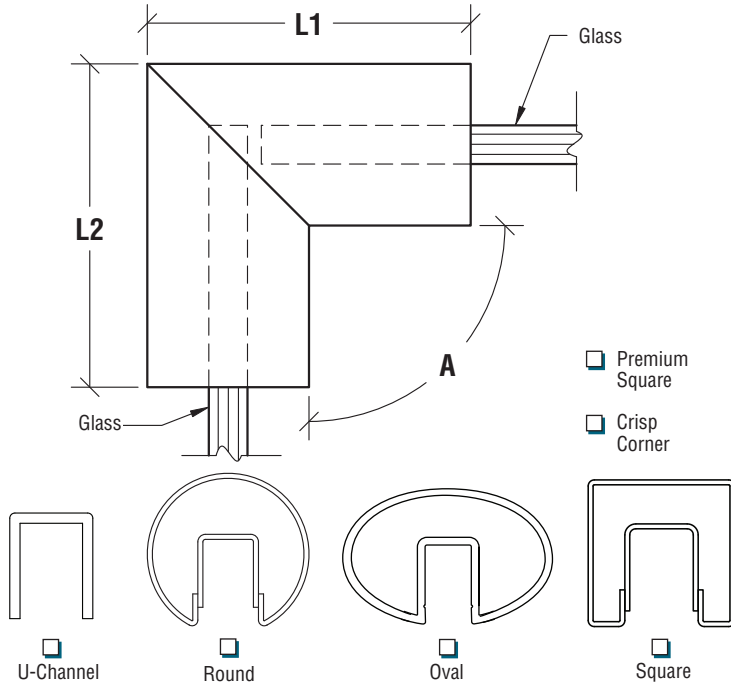
Phone #: _____ P.O. # (If Ordering): _____ Project Name: _____

Quantity: _____ Cap Rail Size: _____ Glass Thickness: _____ Finish: _____

For pricing or ordering assistance contact CRL Technical Sales at (800) 421-6144 in the U.S., (877) 421-6144 from Canada, or (323) 588-1281 International. Ask for Extension 7730. You may also fax this form to CRL Technical Sales at (800) 587-7501 in the U.S., or (323) 584-5289 (Canada or International).

Horizontal Custom Corner Order Sheet

Plan View of Cap Rail With Long Point Dimensions



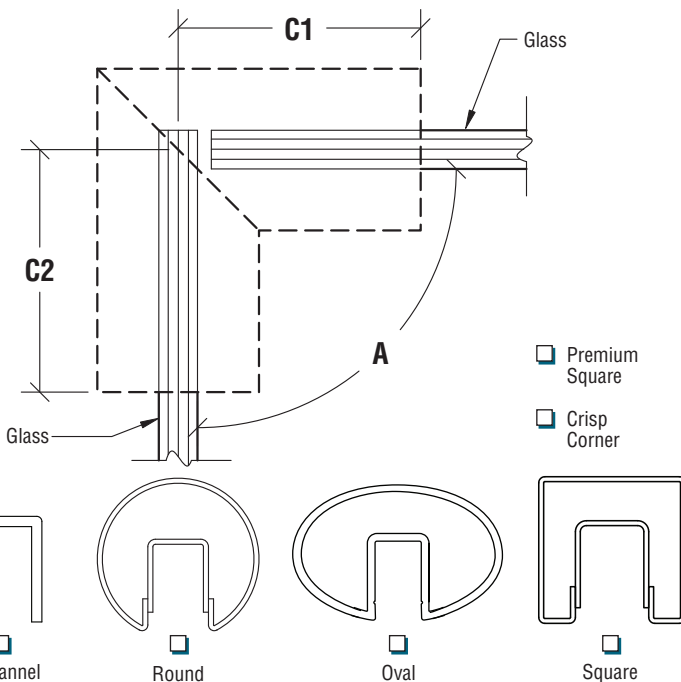
Specify Inches or Millimeters

Long Point of Cap Rail L1= _____

Long Point of Cap Rail L2= _____

Inside Angle A= _____

Notes: _____



Plan View of Center Line Glass Dimensions

Specify Inches or Millimeters

Center of Line of Glass C1= _____

Center of Line of Glass C2= _____

Inside Angle A= _____

Notes: _____

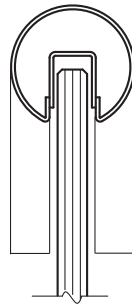
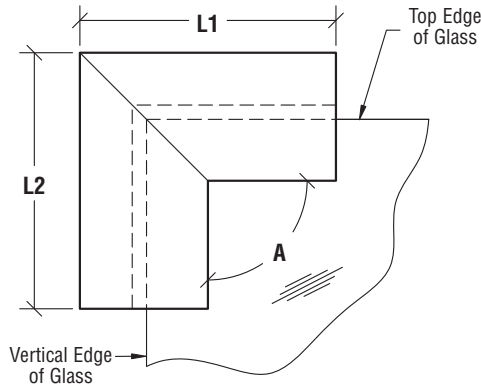
Date: _____ Company Name: _____ Your Name: _____

Phone #: _____ P.O. # (If Ordering): _____ Project Name: _____

Quantity: _____ Cap Rail Size: _____ Glass Thickness: _____ Finish: _____

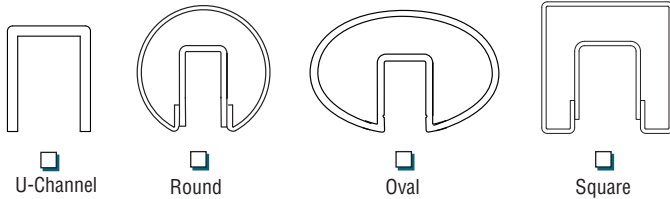
For pricing or ordering assistance contact CRL Technical Sales at (800) 421-6144 in the U.S., (877) 421-6144 from Canada, or (323) 588-1281 International. Ask for Extension 7730. You may also fax this form to CRL Technical Sales at (800) 587-7501 in the U.S., or (323) 584-5289 (Canada or International). **NOTE:** A final sign off is required prior to any custom fabrication.

Vertical Custom Corner Order Sheet



- Premium Square
- Crisp Corner

Select Cap Profile



Elevation of Cap Rail With Long Point Dimensions

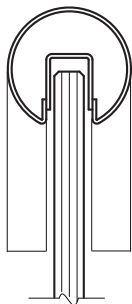
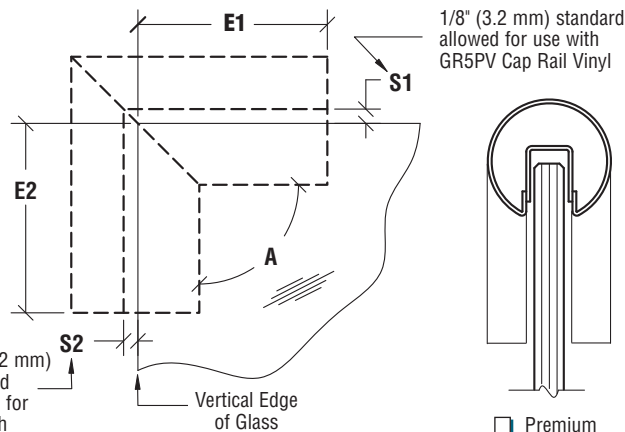
Specify Inches or Millimeters

Long Point of Cap Rail L1= _____

Long Point of Cap Rail L2= _____

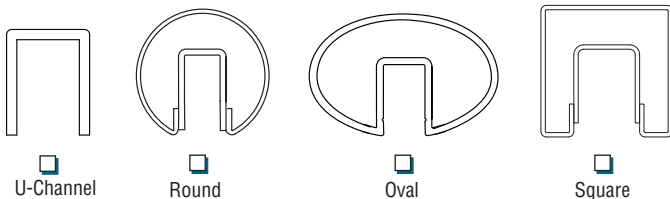
Inside Angle A= _____

Notes: _____



- Premium Square
- Crisp Corner

Select Cap Profile



Elevation of Cap Rail With Edge of Glass Dimensions

Specify Inches or Millimeters

End of Glass to End of Cap Rail E1= _____

End of Glass to End of Cap Rail E2= _____

Shim Space S1= _____

Shim Space S2= _____

Inside Angle A= _____

Notes: _____

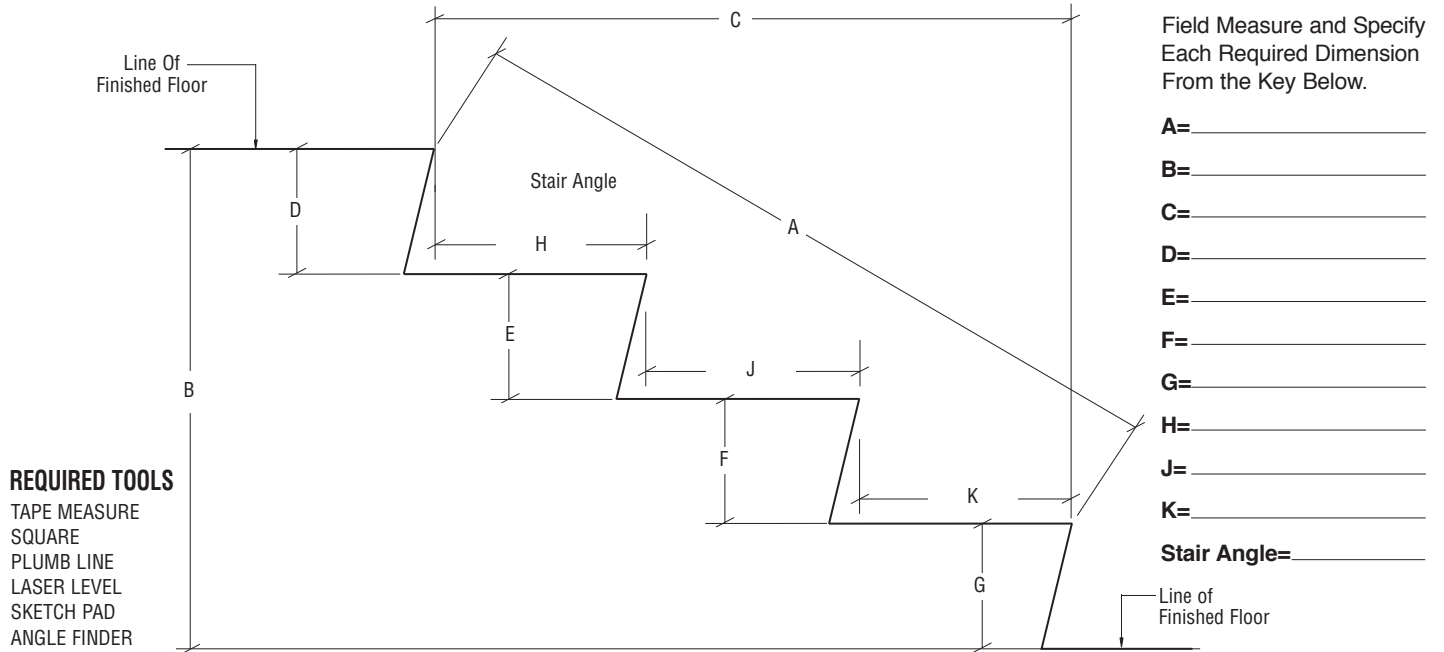
Practice Methods for Measuring Stairways

When measuring an existing stairway for fabricated railings please keep in mind the importance of every measurement that is needed to produce the required railing system. Measure every dimension that is indicated below to ensure your railing system is produced correctly.

Style #1

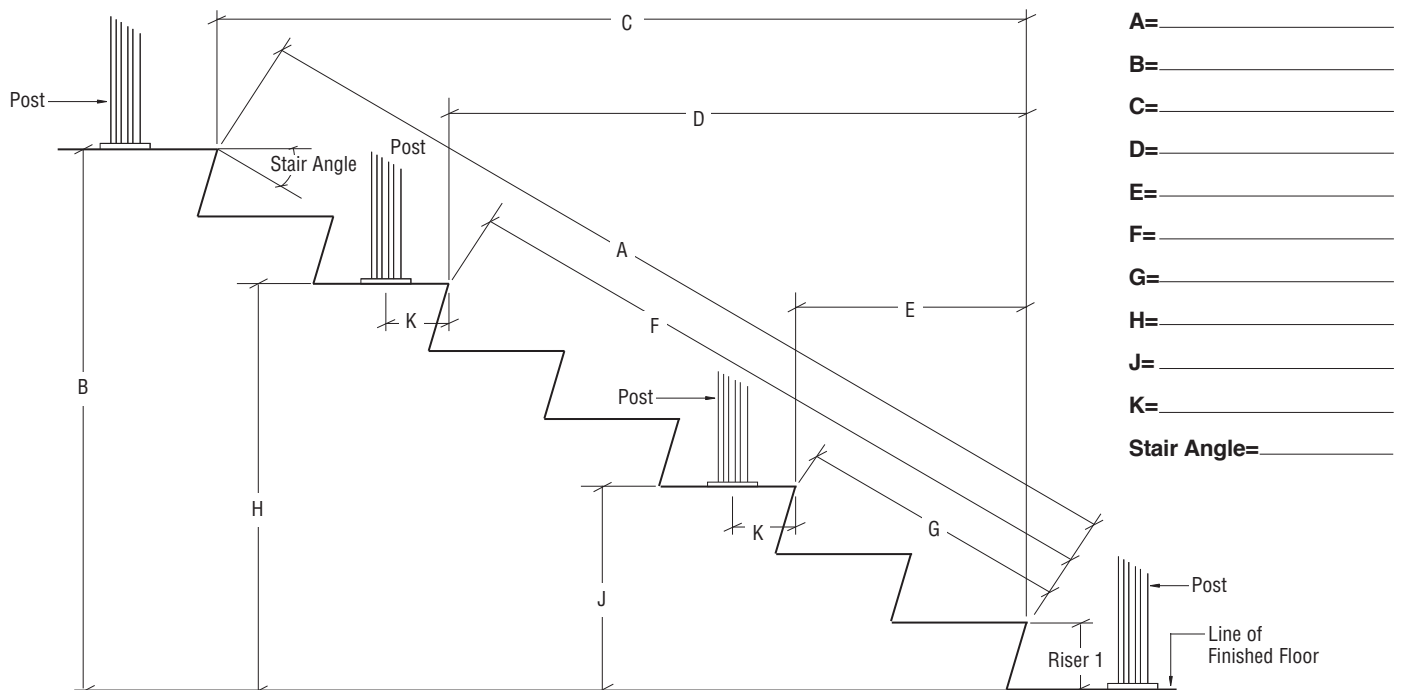
Measuring Short Run Stairways (4 or Fewer Treads) Dimensions Needed for Tread Mounted Post Rail System

Important: Depending on the complexity of your project, one or more of the following may be required to accurately order: sketches or drawings of your particular application with dimensions; printed architectural drawings or cad files; photos of the job site conditions (digital images are preferable).



Style #2

Measuring Long Run Stairways (5 or More Treads) Dimensions Needed for Tread Mounted Post Rail System



This Base Shoe Quote/Order Checklist is designed to assist you in covering the details required to complete a Base Shoe installation. Mark the boxes in the Checklist Area that apply to your installation. Going through this exercise should prevent you from overlooking any details related to your installation, and assist you in making your product selections. The Product Selection Area is where you can actually write down the complete catalog numbers of the products you have selected.

IMPORTANT: Depending on the complexity of your project, one or more of the following may be required to accurately quote: sketches or drawings of your particular application with dimensions; printed architectural drawings or CAD files; photos of job site conditions (digital images are preferable). **NOTE:** A final sign off is required prior to any custom fabrication.

Date: _____ Company Name: _____ Phone #: _____

Project Name: _____ Your Name: _____

Checklist Area:

1 Type of Attachment: (See pages 160R to 161R)

- Base Shoe to Concrete
- Base Shoe to Weld Block
- Base Shoe to Steel Channel or Angle
- Base Shoe Embedded in Concrete (Flush Set)
- Base Shoe to Steel Embedment Strip

2 Attachment Fasteners and Accessories: (See pages 164R to 167R)

- Wedge-Bolt Anchors and Washers (for Concrete)
- 1/2"-13 Socket Head Cap Screws (for Steel)
- HSL3 Expansion Anchors (for Concrete)
- Hex Head Cap Screws
- Weld Blocks (for Steel) Drain Blocks
- Nylon Allen Screws (Protects Steel Embedment Threads)

3 Style of Base Shoe and Glass Securing Method: (See pages 128R to 159R)

- L56S Series Square for 9/16" (13.52 mm) Laminated Tempered Glass
- L68S Series Square for 11/16" (17.52 mm) Laminated Tempered Glass
- L21S Series Square for 27/32" (21.52 mm) Laminated Tempered Glass
- L25S Series Square for 1-1/16" (25.52 mm) Laminated Tempered Glass
- B6S Series Square for 15 mm Monolithic Tempered Glass
- B5A SurfaceMate Series Square for 1/2" (12 mm) Monolithic Tempered Glass
- B5S Series Square for 1/2" (12 mm) Monolithic Tempered Glass
- B5S Series Square for 5/8" (16 mm) Monolithic Tempered Glass
- B5T Series Tapered for 1/2" (12 mm) Monolithic Tempered Glass
- B5T Series Tapered for 5/8" (16 mm) Monolithic Tempered Glass
- B5L Series Square for 1/2" (12 mm) Monolithic Tempered Glass
- B5L Series Square for 5/8" (16 mm) Monolithic Tempered Glass
- B7S Series Square for 3/4" (19 mm) Monolithic Tempered Glass
- RG200 Series Two Piece for 1/2" (12 mm) Monolithic Tempered Glass
- RG450 Series Fascia Mount Two Piece for 1/2" (12 mm) Monolithic Tempered Glass
- RG500 Series Two Piece for 3/4" (19 mm) Monolithic Tempered Glass
- RG650 Series Fascia Mount Two Piece for 3/4" (19 mm) Monolithic Tempered Glass

Base Shoe Length:

- 120" (3.05 m) 240" (6.10 m)
- Custom Length (Cuts, L.H. Miter or R.H. Miter)

4 Glass Securing Accessories: (See pages 103R to 124R)

- TAPER-LOC™ Dry Glaze 1/2" and 3/4" (12 and 19 mm) Monolithic Tempered Glass
- TAPER-LOC™ Dry Glaze 3/8" (10 mm) Monolithic Tempered Glass
- TAPER-LOC™ Dry Glaze 27/32" and 1-1/16" (21.52 and 25.52 mm) Laminated Tempered Glass
- TAPER-LOC™ Dry Glaze 9/16" (13.52 mm) Laminated Tempered Glass
- TAPER-LOC™ Dry Glaze 11/16" (17.52 mm) Laminated Tempered Glass
- Wet Glaze 1/2" (12 mm) Setting and Centering Blocks
- Wet Glaze 5/8" (16 mm) Setting and Centering Blocks
- Wet Glaze 3/4" (19 mm) Setting and Centering Blocks
- 1/4" (6 mm) Spacing and Sealing Pads for 1/2" (12 mm) Glass
- 1/4" (6 mm) Spacing and Sealing Pads for 3/4" (19 mm) Glass
- 1/4" (6 mm) Rigid Rubber Spacing Blocks for 1/2" (12 mm) Glass
- 1/4" (6 mm) Rigid Rubber Spacing Blocks for 3/4" (19 mm) Glass
- Base Shoe Gasket [for 1/2" (12 mm) and 3/4" (19 mm) Glass Only]
- Expanding Cement

5 Cladding Required: (See pages 130R to 159R)

- Yes No

Stock Finish:

- Brushed Stainless Steel US32D
- Polished Stainless Steel US32
- Polished Brass US3
- Satin Brass US4
- Satin Anodized US28
- Dark Bronze Anodized 313

Custom Finish: _____

Cladding Length:

- 120" (3.05 m) Stock Length
- Custom Length up to 168" (4.26 m) (Cuts, L.H. Miter or R.H. Miter)

Cladding Accessories: (See pages 133R to 159R)

- End Caps
- Mitered Corner Sets
- Welded End Caps
- Cladding Securing Tape
- Cladding Securing Silicone Sealant

Base Shoe Hole Fabrication:

- No Fabrication Drill and Counter Bore on 12" (305 mm) Centers
- Drill and Counter Bore on 6" (152 mm) Centers
- Other _____

Product Selection: (Fill in Appropriate Areas for All Products That Will Be Required for the Job)

PRODUCT	CAT. NO.	QTY.	PRODUCT	CAT. NO.	QTY.
Base Shoe _____			Cladding Stock Lengths _____		
TAPER-LOC™ Sets _____			End Caps _____		
Expanding Cement _____			Corners _____		
Setting/Centering Blocks _____			Fasteners _____		
Spacing/Sealing Pads _____			Tape _____		
Rigid Rubber Spacers _____			Silicone Sealant _____		
Base Shoe Gasket _____			Installation Tools _____		

Fax Completed Checklist to: C.R. Laurence Technical Sales at (800) 587-7501 in the U.S., or (323) 584-5289 (Canada or International).
To discuss call: (800) 421-6144 in the U.S., (877) 421-6144 from Canada, or (323) 588-1281 (International). Ask for Extension 7730.

CRL GRS Cap Railing Swinging Gate

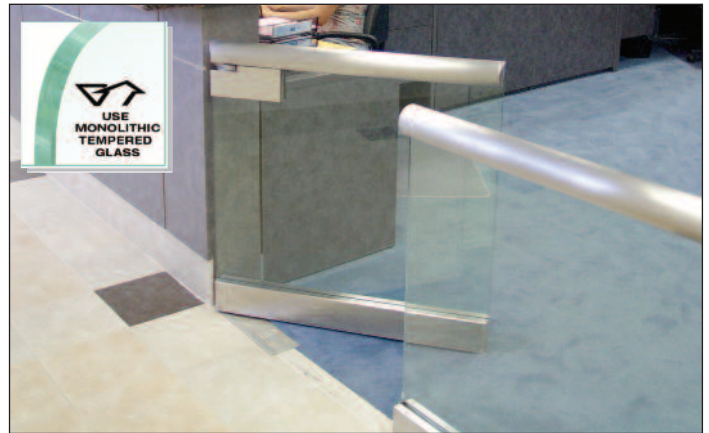


- Heavy-Duty Glass Gate With Optional Cap Rail
- Beautiful in Design and Functional in Operation
- Gate Can Be Adjusted In and Out at Both the Top and the Bottom
- Custom Fabricated to Meet Your Design Requirements
- Ask About Our New Free-Standing Post Model

We have developed a series of Swinging Gates for commercial or residential use, either alone or with our GRS Glass Rail System. The gates are an offshoot of our Wedge-Lock™ Door Rail System, and can be combined with our GRS Cap Rails. The bottom rail can be widened to match the width of an adjacent fixed railing Base Shoe. The upper patch fitting is modified to allow for mounting to a stainless steel bracket, and may also be modified to accommodate a Cap Rail. The top of the Gate pivots on a heavy-duty ball bearing, while the bottom pivots on a floor mounted commercial door closer. The floor closer always returns the Gate to the closed position, and the closing speed is adjustable.

All Swinging Gates are custom fabricated to your specifications.

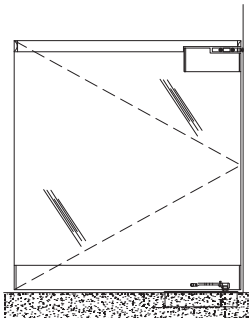
Wall Mounted (Type W#) and Post Mounted (Type P#) Gates



The unit above was mounted to a 4" (101.6 mm) square steel post set in concrete with machine screws and concealed in the finished wall. This is important, because the tight clearances used in the installation require the Gate to be rigidly mounted. Available in either Wall Mount or Post Mount models.

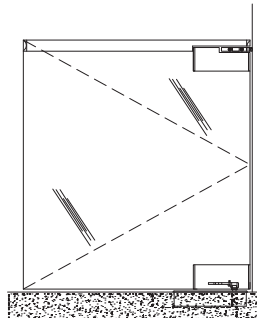
NOTE: Available by custom order only. Most orders can be fabricated in five business days at our Los Angeles, California manufacturing facility. Contact CRL Technical Sales at (800) 421-6144 in the U.S., (877) 421-6144 from Canada, or (323) 588-1281 International, and ask for Ext. 7730. You can also send e-mail from the crlaurence.com home page. Click on Contact Us, and then click on Technical Sales for Railing Products.

These are the most common configurations of Swinging Gates. Find the configuration that best matches your requirements and then use the handy menu on the next page to design the Swinging Gate that's right for you.



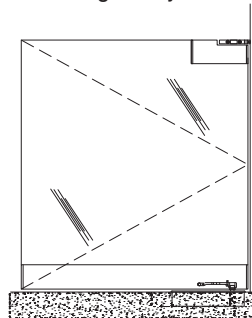
TYPES W1/P1

Wall or post mount top pivot, floor closer, cap rail, top patch, and full bottom rail.



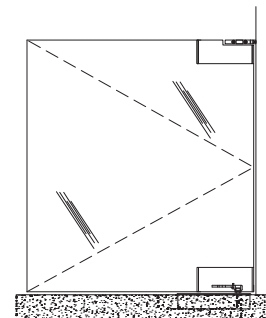
TYPES W2/P2

Wall or post mount top pivot, floor closer, cap rail, top and bottom patch.



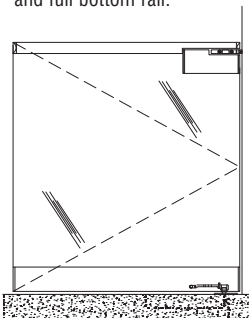
TYPES W3/P3

Wall or post mount top pivot, floor closer, top patch, and full bottom rail.



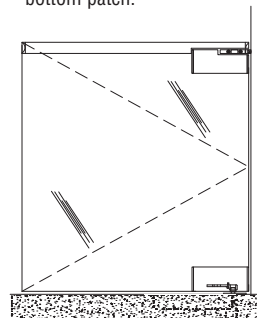
TYPES W4/P4

Wall or post mount top pivot, floor closer, top and bottom patch.



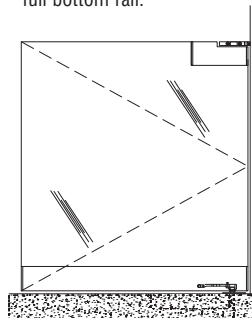
TYPES W5/P5

Wall or post mount top and bottom pivots, cap rail, top patch, and full bottom rail.



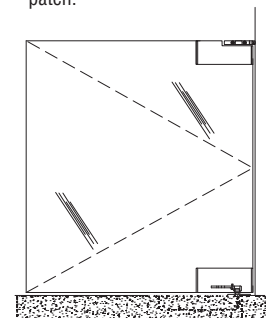
TYPES W6/P6

Wall or post mount top and bottom pivots, cap rail, top and bottom patch.



TYPES W7/P7

Wall or post mount top and bottom pivots, top patch, and full bottom rail.



TYPES W8/P8

Wall or post mount top and bottom pivots, top and bottom patch.

NOTE: We recommend the use of 1/2" (12 mm), 5/8" (16 mm), or 3/4" (19 mm) tempered monolithic or tempered laminated glass.

CRL GRS Cap Railing Swinging Gate



CRL GRS Cap Railing Swinging Gate System With Wood Top Rail

- 16 Configurations to Choose From
- Wall or Post Mounted
- Four Handing Options
- Stainless Steel, Anodized, and Painted Finishes
- Every Swinging Gate is Custom Fabricated to Your Requirements
- Optional Locks Available

WALL MOUNT SWINGING GATE WITH

CAT. NO.	TOP PIVOT PLUS...	TYPE
SGW1C	Cap Rail, Top Patch, and Full Bottom Rail	W1
SGW2C	Cap Rail, Top and Bottom Patch	W2
SGW3C	Top Patch and Full Bottom Rail	W3
SGW4C	Top and Bottom Patch	W4

CAT. NO.	TOP AND BOTTOM PIVOT PLUS...	TYPE
SGW5C	Cap Rail, Top Patch, and Full Bottom Rail	W5
SGW6C	Cap Rail, Top and Bottom Patch	W6
SGW7C	Top Patch and Full Bottom Rail	W7
SGW8C	Top and Bottom Patch	W8

POST MOUNT SWINGING GATE WITH

CAT. NO.	TOP PIVOT PLUS...	TYPE
SGP1C	Cap Rail, Top Patch, and Full Bottom Rail	P1
SGP2C	Cap Rail, Top and Bottom Patch	P2
SGP3C	Top Patch and Full Bottom Rail	P3
SGP4C	Top and Bottom Patch	P4

CAT. NO.	TOP AND BOTTOM PIVOT PLUS...	TYPE
SGP5C	Cap Rail, Top Patch, and Full Bottom Rail	P5
SGP6C	Cap Rail, Top and Bottom Patch	P6
SGP7C	Top Patch and Full Bottom Rail	P7
SGP8C	Top and Bottom Patch	P8

NOTE: We recommend the use of 1/2" (12 mm), 5/8" (16 mm), or 3/4" (19 mm) tempered monolithic or tempered laminated glass.

CRL This Menu to Design the Swinging Gate of Your Choice

SELECT GATE STYLE

- | | |
|-----------------------------|-----------------------------|
| Wall Mount | Post Mount |
| <input type="checkbox"/> W1 | <input type="checkbox"/> P1 |
| <input type="checkbox"/> W2 | <input type="checkbox"/> P2 |
| <input type="checkbox"/> W3 | <input type="checkbox"/> P3 |
| <input type="checkbox"/> W4 | <input type="checkbox"/> P4 |
| <input type="checkbox"/> W5 | <input type="checkbox"/> P5 |
| <input type="checkbox"/> W6 | <input type="checkbox"/> P6 |
| <input type="checkbox"/> W7 | <input type="checkbox"/> P7 |
| <input type="checkbox"/> W8 | <input type="checkbox"/> P8 |

FINISH

- Brushed Stainless Steel (BS)
- Polished Stainless Steel (PS)
- Polished Brass (PB)
- Satin Brass (SB)
- Satin Anodized (SA)
- Dark Bronze Anodized (DU)
- Powder Coated (PT) RAL# _____
- Custom Finish (C) Specify _____

FLOOR CLOSER/FLOOR PIVOT OPTIONS

- J990NHOD 180 Degree Swing No Hold Open
- J993HOD 180 Degree Swing Hold Open
- CRL8010DP Floor/Threshold Mnt. Pivot
- CRL8010BP Standard Floor Mnt. Pivot
- Other _____

POST MOUNT

- Core Mount
- Surface Mount with Base Plate
- Other _____

GLAZING

- 1/2" (12 mm)
- 5/8" (16 mm)
- 3/4" (19 mm)
- Other _____

TOP CAP DIAMETER

- 1-1/2" (38.1 mm) Diameter Top Cap
- 2" (50.8 mm) Diameter Top Cap
- 2-1/2" (63.5 mm) Diameter Top Cap
- 3" (76.2 mm) Diameter Top Cap
- 3-1/2" (88.9 mm) Diameter Top Cap
- 4" (101.6 mm) Diameter Top Cap
- 1-1/2" (38.1 mm) Square Top Cap
- 2" (50.8 mm) Square Top Cap
- 2-1/2" (63.5 mm) Square Top Cap
- No Cap

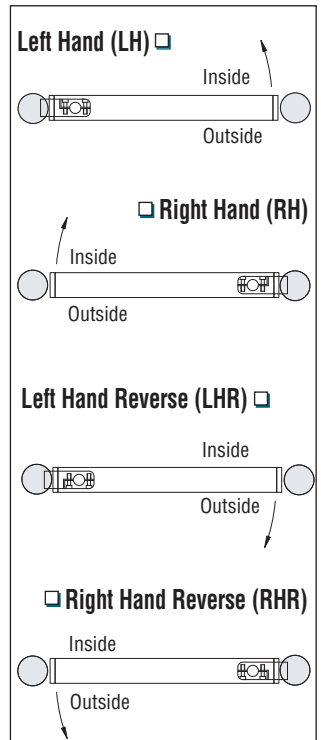
POST SIZE

- Round Post**
- 2-1/2" (63.5 mm) Diameter
- 2-7/8" (73 mm) Diameter
- 3" (76.2 mm) Diameter
- 4" (101.6 mm) Diameter
- Square Post**
- 2-1/2" x 2-1/2" (63.5 mm)
- 2-7/8" x 2-7/8" (73 mm)
- 3" x 3" (76.2 mm)
- Other _____

BOTTOM RAIL STYLE

- 4" (101.6 mm) Tall (Wide Style) Bottom Rail
- 4" (101.6 mm) Standard Bottom Rail
- 9-1/2" (241 mm) Long Patch Fitting

HANDING



BOTTOM RAIL LOCK OPTIONS

- None
- Cylinder Both Sides
- Cylinder (Outside Only)
- Cylinder (Inside Only)
- Cylinder/Thumbturn (Outside)
- Cylinder/Thumbturn (Inside)
- Other _____

CENTER LOCK HOUSINGS

- PTH311 Glass Mounted Latch Lock
- PTH312
- PTH314
- PTH303
- None

Glass Mounted Hand Rail Checklist:

OPTIONAL HAND RAIL

- 1-1/2" Diameter .050" Wall Thickness
- 1.66" O.D. 1-1/4" Schedule 40 .140" Wall Thickness
- 1.9" O.D. 1-1/2" Schedule 40 .145" Wall Thickness
- 2" Diameter .050" Wall Thickness
- Other (Specify) _____
- None Required

HAND RAIL END CAPS

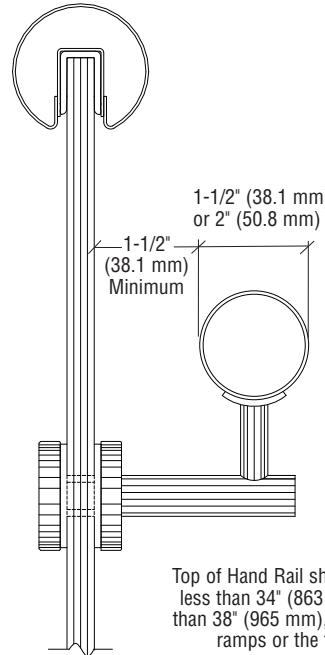
- Standard Applied Flat End Caps
- Standard Applied Dome End Caps
- Stabilizing Wall Mount Flat End Caps
- Welded Flat End Caps
- Custom Angle End Caps (Specify) _____

FINISH

- Brushed Stainless Steel
- Polished Stainless Steel
- Satin Brass
- Polished Brass
- Powder Coated Aluminum
- Mill Finish
- Wood (Specify Type) _____
- Custom (Specify) _____

OPTIONAL HAND RAIL GLASS BRACKETS

- Standard Glass Mounted Hand Rail Brackets
- 2-Way Adjustable Glass Mounted Hand Rail Brackets
- 3-Way Adjustable Glass Mounted Hand Rail Brackets

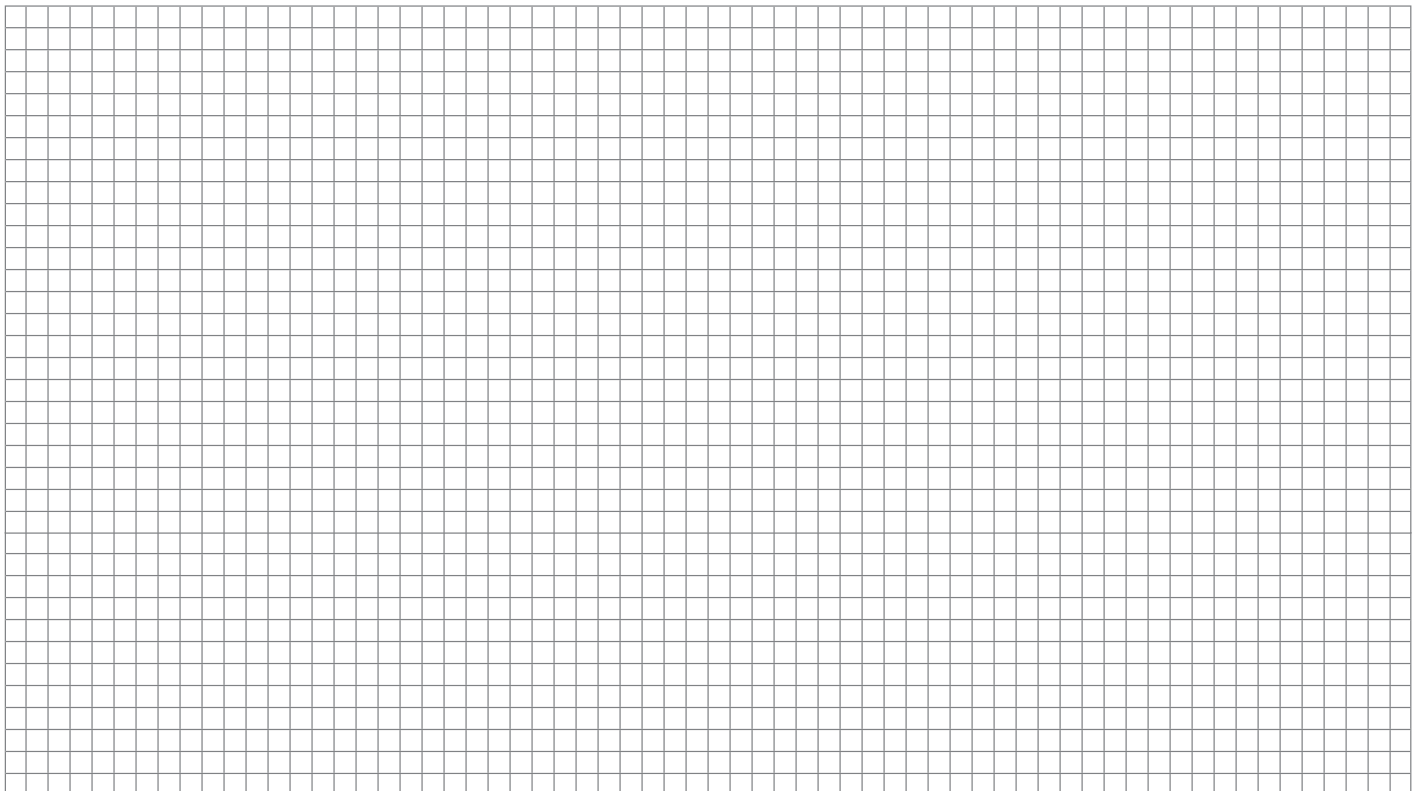


The hand grip portion of the Hand Rails shall not be less than 1-1/4" (31.7 mm), and no more than 2" (50.8 mm) in cross sectional dimension.

NOTE: Codes vary from region to region. Review local building codes for handrail code requirements before ordering.

Top of Hand Rail shall not be placed less than 34" (863 mm), nor more than 38" (965 mm), above landings, ramps or the toe of step.

LAYOUT GRID TO SKETCH DESIGN



CRL P-SERIES POST RAILING SYSTEMS

For Pricing Visit Our Web Site or Call Us Toll Free at the Phone Numbers Shown on the Back Cover



P-Post Quote/Order Request Form

C.R. Laurence Co.

Fax Completed Checklist to C.R. Laurence Technical Sales at (800) 587-7501 in the U.S., or (323) 584-5289 (Canada and International). Then call to discuss: (800) 421-6144 (U.S.), (877) 421-6144 (Canada), or (323) 588-1281 (International). Ask for Extension 7730. This form is also available online at crlaurence.com.

Company Name _____
 Contact _____
 Job Name _____

Phone # _____
 Fax # _____
 Date _____

When you are ready to order, utilize this form to assist you in covering the details required to complete a P-Post Railing System installation. Going through this exercise should prevent you from overlooking any details related to your installation.

IMPORTANT: Depending on the complexity of your project, one or more of the following may be required to accurately order: sketches or drawings of your particular application with dimensions; printed architectural drawings or CAD files; photos of the job site conditions (digital images are preferable).
NOTE: Stairway applications will require additional layout drawing on page 287R that needs to be filled out at time of order. A final sign off is required prior to any custom fabrication.

RAILING HEIGHT <input type="checkbox"/> 36" (914 mm) <input type="checkbox"/> 42" (1067 mm) <input type="checkbox"/> Other (Specify) _____	POST STYLE <input type="checkbox"/> P1 Series <input type="checkbox"/> P2 Series <input type="checkbox"/> P3 Series <input type="checkbox"/> P4 Series <input type="checkbox"/> P5 Series <input type="checkbox"/> P6 Series <input type="checkbox"/> P7 Series <input type="checkbox"/> P8 Series <input type="checkbox"/> Other (Specify) _____	GLASS ATTACHMENT <input type="checkbox"/> RB51 Fixed Attachment Fittings <input type="checkbox"/> Z-Series Clamps <input type="checkbox"/> RB50 Fixed Attachment Fittings <input type="checkbox"/> RB50 Swivel Attachment Fittings <input type="checkbox"/> Spider Fittings <input type="checkbox"/> Custom Welded Standoff Arms <input type="checkbox"/> Other (Specify) _____ <input type="checkbox"/> None	FLOOR CONDITION <input type="checkbox"/> Flat <input type="checkbox"/> Sloped (Degrees) _____
POST ATTACHMENT <input type="checkbox"/> Surface Mount (Top of Substrate) <input type="checkbox"/> Core Mount <input type="checkbox"/> Fascia Mount <input type="checkbox"/> Other (Specify) _____	TOP RAIL SIZE <input type="checkbox"/> 1-1/2" Schedule 40 1.9" O.D. <input type="checkbox"/> 1-1/4" Schedule 40 1.66" O.D. <input type="checkbox"/> Other (Specify) _____	RAILING INFILL <input type="checkbox"/> 1/2" (12 mm) Glass <input type="checkbox"/> 3/8" (10 mm) Glass <input type="checkbox"/> 1/8" (3.1 mm) Dia. Cable <input type="checkbox"/> 1/2" (12 mm) Round Bar <input type="checkbox"/> Other (Specify) _____ (Glass not supplied by CRL)	TOP RAIL END CAPS <input type="checkbox"/> Applied Flat End Caps <input type="checkbox"/> Welded Flat End Caps <input type="checkbox"/> Welded Domed End Caps <input type="checkbox"/> Other Specify _____
OPTIONAL HAND RAIL <input type="checkbox"/> 1-1/2" Diameter .050 Wall Thickness <input type="checkbox"/> 1-1/2" Square .050 Wall Thickness <input type="checkbox"/> 2" Diameter .050 Wall Thickness <input type="checkbox"/> Other (Specify) _____ <input type="checkbox"/> None Required	SUBSTRATE <input type="checkbox"/> Wood <input type="checkbox"/> Concrete <input type="checkbox"/> Waterproof <input type="checkbox"/> Steel <input type="checkbox"/> Other (Specify) _____	FINISH <input type="checkbox"/> Brushed Stainless Steel <input type="checkbox"/> Polished Stainless Steel <input type="checkbox"/> Powder Coated <input type="checkbox"/> Custom Specify _____	

LAYOUT GRID TO SKETCH DESIGN



C.R. LAURENCE COMPANY

crlaurence.com

288R | crlaurence.ca crlaurence.com.au crlaurence.co.uk crlaurence.de crlaurence.eu

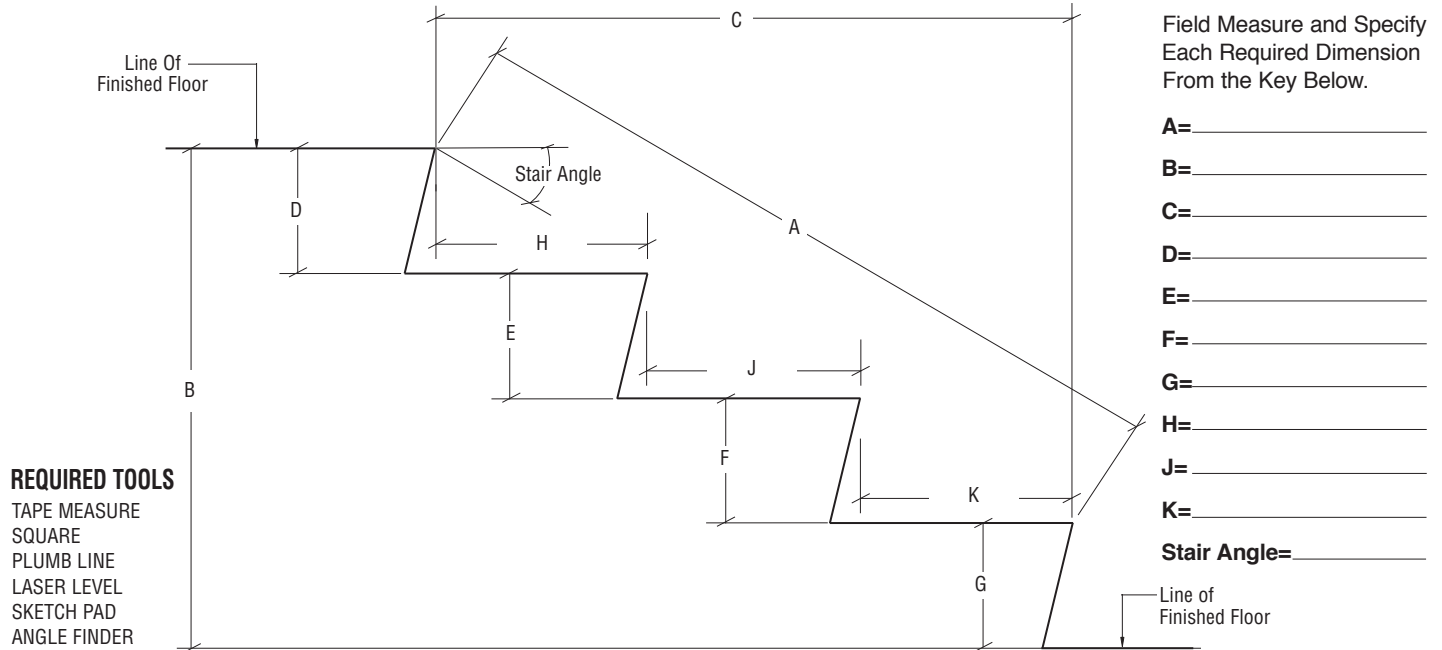
Practice Methods for Measuring Stairways

When measuring an existing stairway for fabricated railings please keep in mind the importance of every measurement that is needed to produce the required railing system. Measure every dimension that is indicated below to ensure your railing system is produced correctly.

Style #1

Measuring Short Run Stairways (4 or Fewer Treads) Dimensions Needed for Tread Mounted Post Rail System

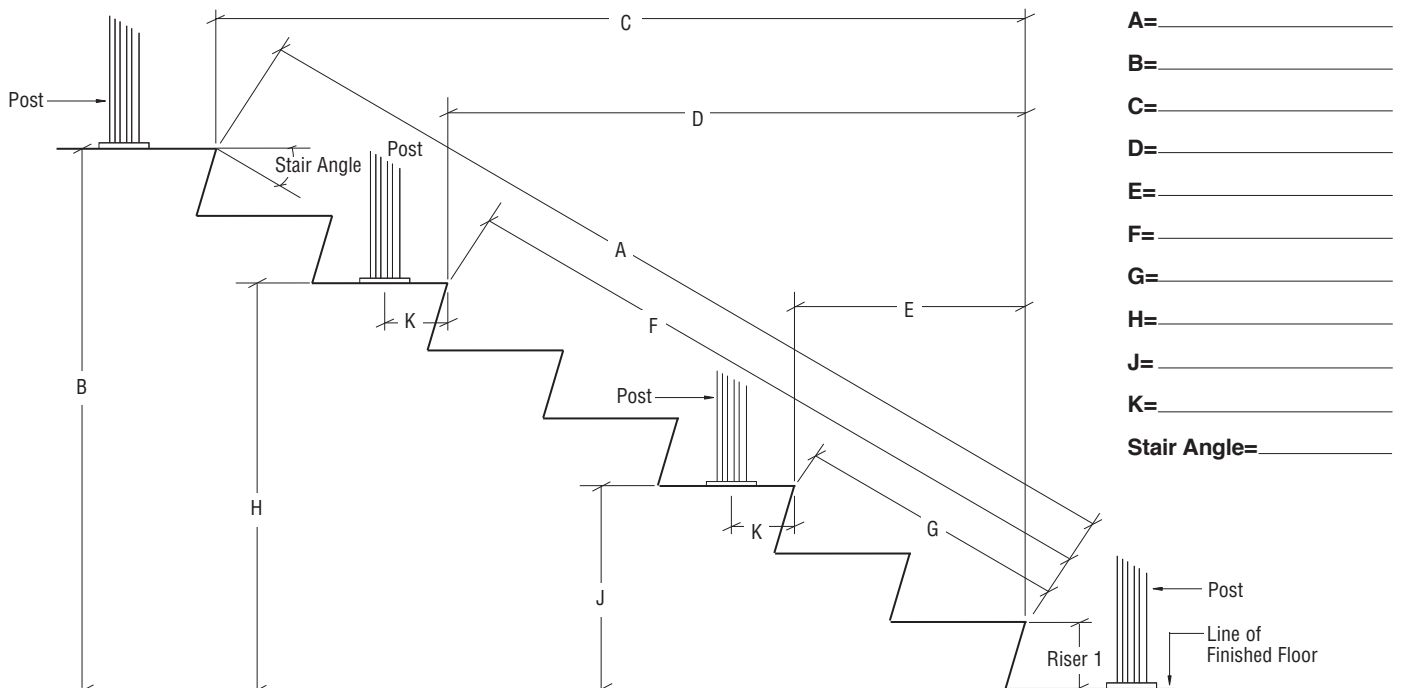
Important: Depending on the complexity of your project, one or more of the following may be required to accurately order: sketches or drawings of your particular application with dimensions; printed architectural drawings or cad files; photos of the job site conditions (digital images are preferable).



Style #2

Measuring Long Run Stairways (5 or More Treads) Dimensions Needed for Tread Mounted Post Rail System

Field Measure and Specify Each Required Dimension From the Key Below.



Practice Methods for Measuring Stairways

When measuring an existing stairway for CRL's Glass Railing System please keep in mind the importance of every measurement that is needed to produce the required railing system. Measure every dimension that is indicated below to ensure your railing system is produced correctly. **Important:** Depending on the complexity of your project, one or more of the following may be required to accurately order: sketches or drawings of your particular application with dimensions; printed architectural drawings or cad files; photos of the job site conditions (digital images are preferable).

Style #1

Measuring Curb Mount/Stringer Mount Stairways

REQUIRED TOOLS
 TAPE MEASURE
 SQUARE
 PLUMB LINE
 LASER LEVEL
 SKETCH PAD
 ANGLE FINDER

Field Measure and Specify Each Required Dimension From the Key Below.

A= _____
 B= _____
 C= _____
 D= _____
 E= _____
 F= _____
 G= _____
 H= _____
 J= _____
 K= _____
 Stair Angle= _____

Style #2

Measuring Extended Curb Mount/Extended Stringer Mount Stairways

Field Measure and Specify Each Required Dimension From the Key Below.

A= _____
 B= _____
 C= _____
 D= _____
 E= _____
 F= _____
 G= _____
 H= _____
 J= _____
 K= _____
 Stair Angle= _____

CRL WRS WELDED POST RAILING SYSTEM

For Pricing Visit Our Web Site or Call Us Toll Free at the Phone Numbers Shown on the Back Cover



WRS Quote/Order Request Form

Fax Completed Checklist to C.R. Laurence Technical Sales at (800) 587-7501 in the U.S., or (323) 584-5289 (Canada and International). Then call to discuss: (800) 421-6144 (U.S.), (877) 421-6144 (Canada), or (323) 588-1281 (International). Ask for Extension 7730. This form is also available online at crlaurence.com.

Company Name _____
 Contact _____
 Job Name _____

Phone # _____
 Fax # _____
 Date _____

When you are ready to order, utilize this form to assist you in covering the details required to complete a Welded Post Railing System installation. Going through this exercise should prevent you from overlooking any details related to your installation.

IMPORTANT: Depending on the complexity of your project, one or more of the following may be required to accurately order: sketches or drawings of your particular application with dimensions; printed architectural drawings or CAD files; photos of the job site conditions (digital images are preferable).
NOTE: Stairway applications will require additional layout drawing on page 287R that needs to be filled out at time of order. A final sign off is required prior to any custom fabrication.

RAILING HEIGHT

36" (914 mm)
 42" (1067 mm)
 Other (Specify) _____

POST ATTACHMENT

Surface Mount (Top of Substrate)
 Core Mount
 Fascia Mount
 Other _____

OPTIONAL HAND RAIL

1-1/2" (38.1 mm) Dia. .050 Wall Thickness
 2" (50.8 mm) Dia. .050 Wall Thickness
 Other (Specify) _____
 None Required

TOP RAIL SIZE

1-1/4" Sch. 40 1.66" (42.2 mm) O.D.
 1-1/2" Sch. 40 1.9" (48.3 mm) O.D.
 Other (Specify) _____

POST SIZE

1-1/4" Schedule 40 1.66" (42.2 mm) O.D.
 1-1/2" Schedule 40 1.9" (48.3 mm) O.D.
 2" (50.8 mm) O.D. Square
 Other (Specify) _____

SUBSTRATE

Concrete
 Steel
 Wood
 Waterproof
 Other (Specify) _____

GLASS ATTACHMENT

Z- Series Clamps
 RB50 Swivel Attachment Fittings
 RB50 Fixed Attachment Fittings
 RB51 Fixed Attachment Fittings
 Spider Fittings
 Custom Welded Standoff Arms
 Other _____
 None

RAILING INFILL

1/2" (12 mm) Glass
 3/8" (10 mm) Glass
 1/8" (3.2 mm) Dia. Cable*
 3/16" (4.8 mm) Dia. Cable*
 Stainless Steel Bars*
 Other (Specify) _____
 (Glass not supplied by CRL)

*Must be ordered separately

FLOOR CONDITION

Flat
 Sloped (Degrees) _____

END CAPS

Applied Flat End Caps
 Welded Flat End Caps
 Welded Dome End Caps
 Other (Specify) _____
 None

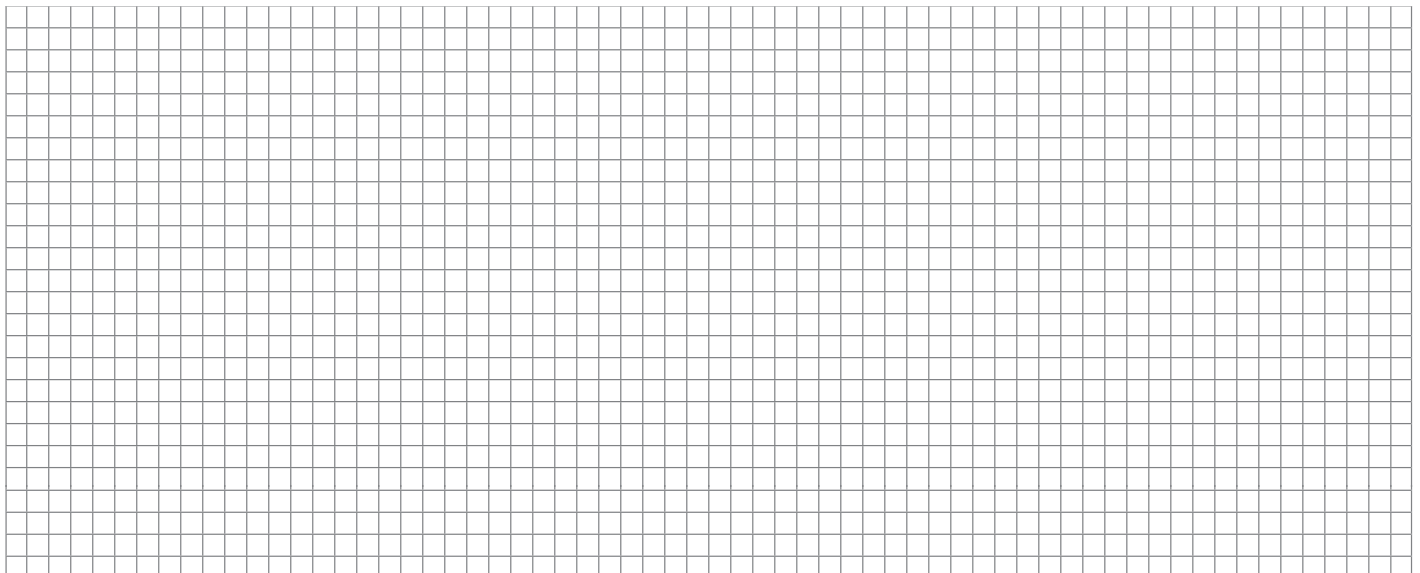
FINISH

Brushed Stainless Steel
 Polished Stainless Steel
 Polished Brass
 Satin Brass
 Powder Coated Aluminum
 Custom (Specify) _____

TOP RAIL CONNECTION

Standard Coped (Welded Post to Top Rail)
 Standoff Saddle (Mechanically Attached Post to Top Rail)

LAYOUT GRID TO SKETCH DESIGN



C.R. LAURENCE COMPANY

306R | crlaurence.ca crlaurence.com.au crlaurence.co.uk crlaurence.de crlaurence.eu

crlaurence.com