



Corvettes are all we do.

Since 1977

[www.zip-corvette.com](http://www.zip-corvette.com)

# C1 | 1953-1962

Corvette Restoration & Restomod



# C1 | 1953–1962

## Corvette Restoration & Restomod



### Major Sections

FRAME & CHASSIS	2	BODY & FIBERGLASS	50
SUSPENSION & DRIVELINE	3	COOLING	66
STEERING	10	ELECTRICAL	72
BRAKES	13	INTERIOR	80
WHEELS & TIRES	18	EXTERIOR TRIM	102
ENGINE	20	HARDTOP & CONVERTIBLE	110
EXHAUST	38	WEATHERSTRIP	114
TRANSMISSION & SHIFTER	42	BOOKS & GARAGE	118
FUEL	46		

### ✓ RETAIL & WHOLESALE DISCOUNTS

RETAIL CUSTOMERS SAVE 10% ON EACH PURCHASE OF \$850 OR MORE. JOIN THE ZIP RESTORATION CLUB FOR DISCOUNTS ON ALL ORDERS FOR A FULL YEAR. WHOLESALE ACCOUNTS AVAILABLE FOR INSTALLERS & RESELLERS WORLDWIDE.

**10% RETAIL DISCOUNT**

HOW IT WORKS – Retail customers receive 10% savings on a minimum purchase of \$850.00 of any combination of parts and/or accessories from this catalog or Zip's Web store. Sorry, No Discount ("ND") items may be included in total value but are not eligible for discount. Offer applies to a single order only and some restrictions apply, call your Zip Products sales representative for details.



# SHOWROOM • CATALOG • WEB • PHONE • MAIL • FAX

### Contents

Accelerator pedal.....	24	Car covers.....	118	Distributor.....	28-29	Floor mats.....	88
Air cleaner.....	25	Camshaft.....	33	Door hardware.....	60-63	Frame.....	2
Air condition systems.....	71	Carburetor.....	22-23	Door panels.....	82-84	Fresh air intake.....	70
Antenna.....	102	Carburetor linkage.....	24	Driveshaft & slip yoke.....	9	Fuel flex hose.....	46
Ash Tray.....	90	Carburetor tag.....	22	Dye, interior.....	81	Fuel injection.....	20-21
Automatic transmission.....	43	Carpet.....	88-89	Electrical.....	72-79	Fuel line clips.....	47
Battery cables.....	75	Chassis.....	2	Emblems.....	103	Fuel pump & kits.....	46
Battery tray.....	75	Choke tube & housing.....	23	Engine mounts.....	37	Fuse & flasher kits.....	76
Bellhousing.....	42	Clock.....	90	Engine tune-up kits.....	30	Gauges.....	94-96
Body mounts.....	50	Clutch kits.....	44	Exhaust components.....	38-41	Gas filters & brackets.....	47
Body seal kits.....	115	Clutch linkage.....	44	Exhaust pipes.....	38-39	Gas lines.....	47
Books.....	119	Coil.....	30	Expansion tank.....	69	Gas door.....	49
Brake blocks & clips.....	15	Console.....	90-93	Exterior trim.....	108-109	Gas tank.....	48-49
Brake hardware.....	13-14	Convertible top.....	112-113	Fan.....	35	Generator.....	27
Brake lines.....	15	Crankcase vent tube.....	26	Fan belts.....	34	Glass.....	117
Brake packages.....	13	Crankshaft pulley.....	34	Fan shroud.....	67	Glove box.....	85
Brake pedal.....	16	Dash components.....	90-93	Fender Moldings.....	108-109	Grab bar.....	92
Bumpers & hardware.....	105-107	Dash pad.....	91	Fiberglass.....	51-55	Grill.....	104
Car care.....	116	Deck lid.....	58	Fiberglass repair materials.....	51	Ground straps.....	76
		Defroster/heater box.....	70	Firewall grommets.....	52, 55	Hardtop & hardware.....	110-111
		Differential.....	8-9	Firewall insulation.....	89	Harmonic balancer.....	34





## ✓ EASY ORDERING

PLACE YOUR ORDER WITH OUR KNOWLEDGEABLE STAFF, ONLINE OR VIA FAX. ZIP ACCEPTS VISA, MASTERCARD, AMERICAN EXPRESS, DISCOVER, PAYPAL AND PERSONAL CHECKS.

## ✓ SATISFACTION GUARANTEED

IF YOU'RE NOT 100% SATISFIED WITH YOUR PURCHASE FOR ANY REASON, WE WILL PROMPTLY MAKE IT RIGHT. RETURNS ACCEPTED FOR ONE YEAR WITH NO RESTOCKING FEE.

## ✓ SAME DAY SHIPPING

SAME DAY SHIPPING ON ALL IN STOCK ITEMS FOR ORDERS PLACED BY 3 P.M. EST. OVER 25,000 ITEMS IN STOCK AND READY FOR SHIPMENT. NO RUSH FEES AT ZIP!

## ✓ BEST PRICE GUARANTEED

ZIP WORKS HARD TO MAKE CERTAIN OUR PRICES ARE COMPETITIVE – WE'LL MATCH ANY COMPETITOR'S PRICE ON THE SAME BRAND ITEM.

## ✓ ONLINE PROMOTIONS

SIGN-UP TO RECEIVE ZIP'S ONLINE NEWSLETTER AND GET UP TO DATE INFORMATION ON NEW PARTS, PROMOTIONAL DISCOUNTS AND CORVETTE TECHNICAL INFORMATION.

## ✓ ZIP GIFT CARDS

AVAILABLE FOR PURCHASE AND REDEEMABLE FOR ALL MERCHANDISE FROM ZIP'S CATALOGS OR WEB STORE.

# www.zip-corvette.com • 1.800.962.9632

Headlights.....	77	Kick panel.....	85	Spare tire.....	19	Thermostat housing.....	26
Headliner.....	110	Manuals.....	119	Spark plugs & wires.....	31	Tie strap kits.....	76
Heater box.....	70-71	Manual transmission.....	42	Speaker.....	99-100	Timing chain & cover.....	34
Heater hose & clamps.....	68	Master cylinder.....	16	Speed nut kit.....	103	Tires.....	19
Hood components.....	56-57	Mirrors, outside.....	102	Speedometer.....	94	Transmission & mount.....	42-43
Horn.....	75	Mirrors, inside.....	92	Speedometer cable.....	97	Trunk.....	59
Horn button.....	11	Mufflers.....	38-39	Speedometer driven gear.....	43	Trunk mat & liner.....	101
Hubcaps.....	18	Oil fill tube.....	36	Splash shields.....	53, 55	Universal joints.....	9
Idle pulley.....	34	Oil pan.....	36	Starter.....	37	Valve covers & bolts.....	33
Ignition.....	28-31	Park brake.....	17	Steering column & box.....	10-11	Voltage regulator.....	27
Ignition shielding.....	32	Power window.....	63	Steering linkage.....	12	Water pump.....	35
Inner skirt.....	55	Radiator components.....	66-68	Steering wheel.....	10	Weatherstrip.....	114-116
Intake manifold bolts.....	26	Radiator hoses & clamps.....	68	Steeroids™ rack & pinion.....	11	Wheels.....	18
Interior packages.....	80	Radio & speaker.....	98-100	Stereo systems.....	99-100	Wheel cylinders.....	14
Interior screw sets.....	81	Ring & pinion.....	9	Sunvisors.....	81	Wheel bearings, front.....	4
Jack.....	19	Rocker moldings.....	109	Suspension, front.....	4-5	Wheel bearings, rear.....	8
License mount.....	105-107	Seat belts.....	87	Suspension, rear.....	6-7	Windshield & mount.....	117
Lights.....	78-79	Seat.....	86-87	Suspension rebuild kits.....	3	Windshield washer.....	64-65
Lighter.....	90	Shifter.....	45	Tachometer.....	95	Wipers.....	65
Locks, door.....	61	Shock absorbers.....	3-5	Tachometer cable.....	97	Wiring harnesses.....	72-74
Locks set.....	61	Sill plates.....	84	Temperature sender.....	26, 76		

## Frame & Crossmembers

### Frame Repair Components

M-3477	56-62	Body mount bracket, front (A)	ea	84.99
SU-517	56-62	Body mount bracket & rear spring support (LH or RH) (A)		69.99
M-3507	53-62	Center "X" assembly (A)	truck	999.99
M-3503	53-62	Center "X" assembly support, connects center "X" to frame rail (LH or RH) (A)		209.99
M-3502	53-60	Exhaust hanger bracket (LH or RH)		28.99
M-3508	53-62	Front brake hose bracket	ea	11.99
M-3504	53-62	Front crossmember support (LH or RH) (4 per car)		74.99
SU-759	59-62	Radius rod support bracket	ea	59.99
M-3501	53-58	Rear axle bumper bracket (A)		32.99
SU-760	53-62	Rear axle rebound strap bracket (A)	ea	22.99
SU-508	60-62	Sway bar inner frame bracket	ea	13.99

### Frame Crossmembers

SU-10	56-62	Front crossmember to frame aluminum shim	ea	29.99
BL-106	53-62	Front crossmember to frame hardware, "TR" headmark bolts, washers & nuts (48 pcs)		24.99
M-3509	53-62	Rear axle crossmember (A)		359.99
M-3838	53-55	Rear frame crossmember (A)		529.99
M-3837	56-57	Rear frame crossmember (A)		529.99
M-1115	58-62	Rear frame crossmember (A)		529.99
M-3147	53-62	Rear frame crossmember rivets (4)		6.99



### Chassis Restoration Kit

Includes frame and driveshaft stencils, red and yellow spray stencil inks, paint crayon for frame and engine marks, inspection paints, shim tape and set of technical bulletins. No Discount.

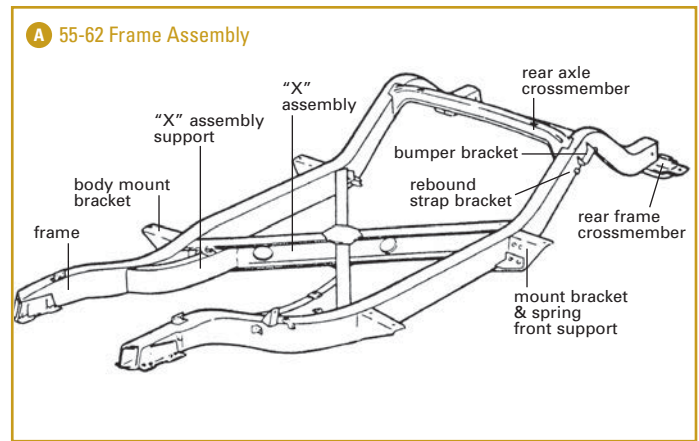
CR-206	53-55	Chassis restoration kit		89.99
CR-100	56-62	Chassis restoration kit		129.99
MG-270	53-62	Chassis stencil spray red ink		12.99

Note: Frame stencil requires car serial number and other information – call your Zip sales representative for details. Kit cannot be shipped by air.

## Zip Resto Tip: Chassis

Everyone knows Corvette bodies are invulnerable to rust – but the same is not true for the chassis. The fully boxed side rails and cross members in 1953-62 models impart significant strength to the chassis, but they are particularly susceptible to rust because water can get trapped inside. If the chassis has a rust problem it normally manifests itself in the rear-most crossmember first. Other sections that are especially at risk include the side rails in the areas beneath the doors. Because the rot progresses from the inside out, a problem may not be apparent from visual inspection alone. Poke along the bottoms of the rear crossmember and side rails with a pick tool, or tap these areas with a ball peen hammer to expose any weaknesses. If you discover rust-through the best solution is to replace the damaged sections with new reproduction pieces. For the side rails this means cutting out the rotted section slightly beyond the damaged area and welding in new sections. For the strongest repair, weld-in an inner sleeve that bridges the seams between the new sections and the original frame.

Whether or not your chassis requires rust repair, you will want to strip and refinish it during a comprehensive restoration. There are various methods for removing paint, undercoating, rust, and other surface contaminants – including abrasive blasting, chemical stripping and



### Asphalt-Based Chassis Paint

For the restorer who insists on authenticity, this is the same paint used on the Corvette assembly line for coating frames and other parts that required a blackout finish. From the original supplier. Note asphalt-based paint is susceptible to gasoline spills.



MG-114 Asphalt-based chassis paint, quart ..... 19.99

Note: Hazardous materials such as paint cannot be shipped outside of the continental USA, or by air freight to any destination.



Zip has many other frame-related repair components listed in their respective sections within this catalog – including shock mount brackets, brake line brackets, park brake cable brackets and motor mounts. Reference applicable sections for descriptions and availability.

Left-hand ("LH") = driver's side; right-hand ("RH") = passenger side

electro-chemical immersion. With electro-chemical immersion the chassis is placed in a large vat of liquid and subjected to an electric current. The chemical bath and current together completely strip the chassis inside and out. This is the most thorough method of stripping, but it must be done by a specialty shop with the right equipment and requires that the inside of the chassis be coated as well as the outside to prevent future rust problems. Chemical stripping is effective but not recommended because it is very difficult to prevent the stripper from getting into the areas between overlapping metal. Abrasive blasting is the most popular stripping method because it's relatively inexpensive and very effective. The coarse surface texture it leaves behind provides excellent grip for the new coatings you will apply, but it is important to thoroughly clean out all traces of the blast media to prevent it from clogging the chassis' water drain holes.

For the ultimate in authenticity, refinish your chassis with the original asphalt-based paint; but, for maximum durability and corrosion protection, use a two-part epoxy paint or have it powder coated. For the best of both worlds use epoxy primer and sealer undercoats with old-fashioned asphalt based topcoats.

## Suspension Packages

### 53-62 Front Suspension Rebuild Kit

Includes (8) A-arm shaft kits, king pins and bushings, outer tie rod ends, grease seals and fittings and a sway bar end links kit.

SU-66 53-62 Front suspension kit.....449.99

SU-66



### Bilstein Shock Absorbers

If you're looking for maximum performance in a shock absorber, look no further than Bilstein. B6 Heavy Duty monotube design, gas charged Bilsteins deliver precise, uncompromising performance for your 1953-1962 Corvette. Superior damping improves handling and stability, without sacrificing ride comfort. Hardware included. Lifetime Warranty.

SU-1448 53-62 Bilstein gas shock, front ..... 99.99  
 SU-1449 53-62 Bilstein gas shock, rear ..... 99.99  
 SU-1450 53-62 Bilstein gas shock package.....399.99

SU-1450



**ZipSocial**     
 Follow us and stay connected! [www.zip-corvette.com/social](http://www.zip-corvette.com/social)

SU-537



### 53-62 Deluxe Front Suspension Rebuild Kit

Includes (8) A-arm shaft kits, king pins and bushings, tie rod tubes, lower outer jam nuts, inner and outer tie rod ends, tie rod tubes, coil springs, aluminum shims, 3rd-arm bearing and seal and a sway bar end links kit. Complete with all required hardware and fittings.

SU-537 53-62 Deluxe front suspension kit .....749.99

### Rear Spring & Mount Kit

Includes new replacement rear spring, rear shackle kit with bushings, front bushings, front mount pin nuts and center axle U-bolt nuts.

SU-981 53-62 4-leaf rear spring kit .....369.99  
 SU-982 53-62 5-leaf rear spring kit .....369.99

SU-981



### AC-Delco Shock Absorbers

Smooth-riding AC-Delco shocks are the perfect replacement for your Corvette's factory hydraulic dampers. Lifetime warranty. Sold each or in car set.

SU-119 53-62 Delco gas shock, front .....34.99  
 SU-120 53-62 Delco gas shock, rear ..... 34.99  
 SU-565 53-62 Delco gas shocks package .....129.99

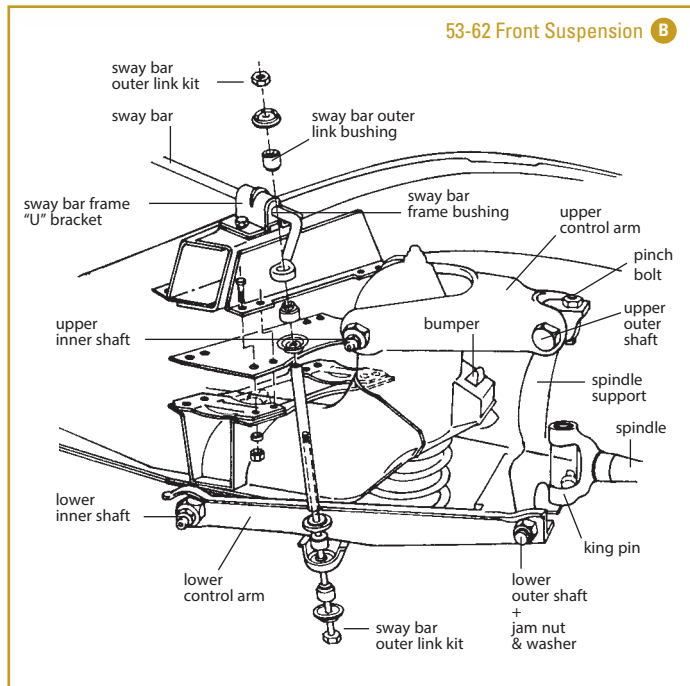




## Front Suspension

### Control Arms

SU-762	53-62	Control arm, upper, new (B)	189.99
WS-118	53-62	Control arm bumper set (4 pcs) (B)	21.99
SU-1243	53-62	Control arm bumper set (restoration poly) (4 pcs) (B)	59.99
SF-762	53-62	Control arm lower bumper mount hardware (4 pcs)	1.99



See page 2 for aluminum shim

### Shock Tower Upper Inner Shaft Repair

Return your solid-axle's front suspension to original condition with Zip's replacement metal insert/bushing. Welds into place to repair worn-out area around upper inner shaft kit. Instructions included.



SU-371	53-62	Shock tower repair (does one side)	32.99
--------	-------	------------------------------------	-------

### King Pin Replacement Service

Turn a difficult job into a breeze by utilizing Zip's king pin replacement service. Send to Zip your uprights and spindles – all parts will be disassembled, cleaned and inspected; then reassembled with new king pins, bushings, bearings and lower outer shafts. Performed in house by our expert technicians.

S-219	53-62	King pin replacement service	449.99
-------	-------	------------------------------	--------

### Control Arm Shaft Kits

SU-19	53-62	Shaft kit, upper inner (B)	ea 64.99
SU-20	53-62	Shaft kit, upper outer (B)	ea 54.99
SU-21	53-62	Shaft kit, lower inner (B)	ea 99.99
SU-22	53-62	Shaft kit, lower outer (B)	ea 39.99

Note: '56-62 shaft kits include bushing caps, grease fittings and seals.

SU-969	53-62	Lower outer shaft kit jam nuts & washers (4 pcs) (B)	10.99
BL-411	53-62	Lower inner shaft kit mount bolts w/washers & nuts, shaft to crossmember, "TR" headmark (24 pcs)	19.99
SU-305	53-62	Shaft seal kit, includes (12) seals & (8) O-rings	32.99
SU-772	56-62	Grease fitting kit, front suspension (22 pcs)	23.99



### Front Spindles & Wheel Bearings

SU-522	53-62	Front inner wheel bearing seal	ea 14.99
SU-1316	53-62	Front wheel bearing hub to drum gaskets (2)	7.99
SU-1292	56-62	Front wheel bearing grease caps, correct (2)	24.99
SU-561	53-62	Front wheel bearing nuts & cotter pins (4 pcs)	6.99
SU-523	53-62	Front wheel bearing washer	ea 6.99
SU-975	56-62	Front wheel static collector	ea 27.99
ZSU-968	53-62	King pin kit, includes pins, bushings, snap rings, bearings, caps, bolts & .004 shims to obtain GM specs (car set) (B)	69.99
SU-1314	53-62	King pin lock bolts, stainless (2)	19.99
SU-918	53-62	Spindle support pinch bolt w/nut, "TR" head (2 per car) (B)	5.49
SU-974	53-62	Spindle backplate to spindle upper spacer set (4)	15.99



### Roller Bearings Kit

Replace original-style ball bearings with improved "rollers" to help eliminate wandering and wobbles. Includes inner and outer bearings with races and new seals. Car set.



SU-538	53-62	Front wheel tapered bearings	199.99
--------	-------	------------------------------	--------



## Front Sway Bar

SU-1312	53-59	Sway bar frame bushings, STD suspension, 5/8" bar diameter (2) (B).....	16.99
SU-1313	57-62	Sway bar frame bushings, 57-60 HD & 60-62 All, 13/16" bar diameter (2) (B).....	16.99
SU-351	53-62	Sway bar frame "U" bracket (B).....	ea 12.99
SU-768	53-62	Sway bar frame "U" bracket bolts, "TR" headmark (8 pcs).....	6.69
SU-352	53-62	Sway bar frame "U" bracket spacer.....	ea 7.99
SU-12	53-62	Sway bar outer link kit, "U" headmark bolts (B).....	29.99
SU-563	53-62	Sway bar outer link bushings (8) (B).....	11.99
SU-970	53-62	Sway bar outer link bushings, polyurethane (8) (B).....	12.99



## Front Sway Bar Kit

Improves road manners and overall stability – without affecting factory ride quality. Includes sway bar, links and "matte" poly bushings.

SU-1115	53-59	OE-style sway bar kit, 7/8".....	299.99
SU-1114	60-62	OE-style sway bar kit, 1".....	259.99



## Restoration Poly Bushings

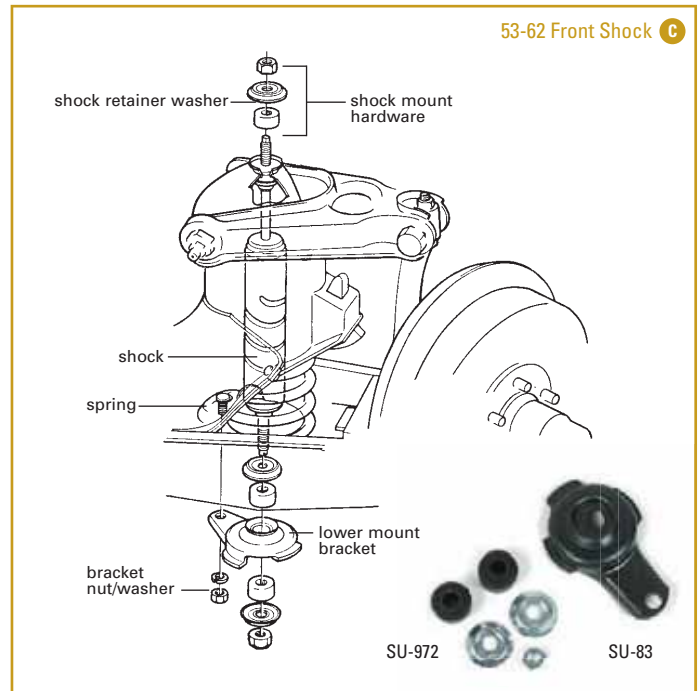
Designed for the enthusiast who wants the advantages of polyurethane (will not rot, deform, or wear-out; quicker steering and suspension response), but who also wants an original appearance. Resto poly bushings feature a "matte" finish; use factory brackets when required.

SU-1150	53-62	Front sway bar end link bushings (8).....	34.99
SU-1238	53-59	Front sway bar 11/16" frame bushings (2).....	24.99
SU-1241	57-62	Front sway bar 13/16" frame bushings (2).....	24.99
SU-1240	53-62	Front sway bar 7/8" frame bushings (2).....	24.99
SU-1239	53-62	Front sway bar 1" frame bushings (2).....	24.99
SU-1150	53-62	Front shock upper & lower grommets (8).....	34.99



## Shocks & Springs

SU-119	53-62	Shock, Delco gas-charged (C).....	ea 34.99
SU-972	53-62	Shock mount hardware, includes nut, (2) bushings & (2) washers, 2 kits per shock (C).....	12.99
SU-83	53-62	Shock lower mount bracket (C).....	ea 17.99
SU-971	53-62	Shock lower mount bracket nuts/washers (4 pcs) (C).....	2.49
SU-973	53-62	Shock retainer washers only (2) (C).....	4.49
SU-115	53-62	Springs, reproduction (car set) (C).....	109.99



## AC-Delco Shock Absorbers

Smooth-riding AC-Delco shocks are the perfect replacement for your Corvette's factory hydraulic dampers. Lifetime warranty. Sold each or in car set.



SU-119	53-62	Delco gas shock, front.....	34.99
SU-120	53-62	Delco gas shock, rear.....	34.99
SU-565	53-62	Delco gas shocks package.....	129.99



## Rear Suspension

### Rear Springs

SU-4	53-62	Spring, 4-leaf STD, replacement (per side) (D)	149.99
SU-5	53-62	Spring, 5-leaf HD, replacement (per side) (D)	149.99



### Rear Spring Mount Kit

Kit includes (2) rear shackles with retainer and nuts, (2) front mount pins w/mount nuts, lower spring plate mount nuts and rubber spring bushing set.

SU-1571	53-62	Rear spring mount kit	139.99
---------	-------	-----------------------	--------

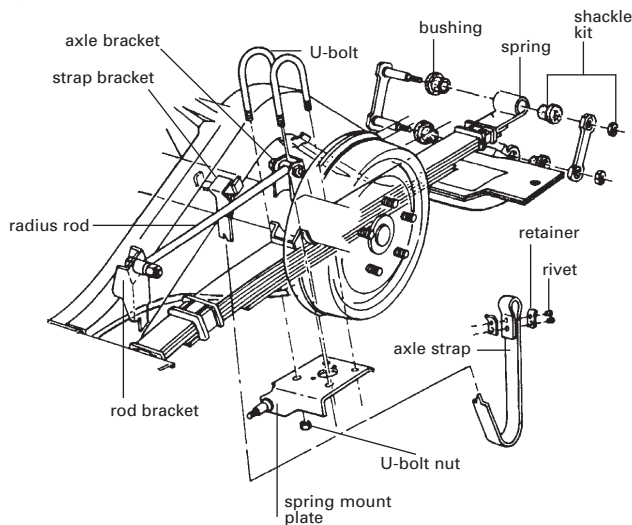


### Rear Spring Rebuild

SU-514	53-62	Spring banding kit, includes stainless steel bands, insulators & clips (car set)	35.99
SU-94	53-58	Spring center bolt	6.99
SU-512	53-62	Spring liners, 4-leaf, replacement cotton material w/metal ends (car set)	99.99
SU-513	53-62	Spring liners, 5-leaf, replacement cotton material w/metal ends (car set)	119.99
SU-1070	53-62	Spring liners, 4-leaf, correct wax coated cardboard & fiber material w/metal ends & banding kit (car set)	149.99



### D 53-62 Rear Suspension

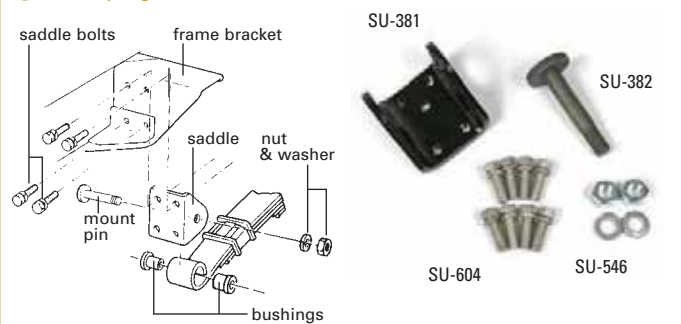


## Rear Spring Mounting

SU-1310	53-62	Spring bushing, rubber, rear shackle (4 per side)	ea 2.99
WS-135	53-62	Spring bushings, rubber (12) (D)(E)	22.99
SU-383	53-62	Spring bushings, polyurethane (12) (D)(E)	30.99
SU-382	53-62	Spring front mount pin (E)	ea 32.99
SU-546	53-62	Spring front mount pin nuts w/washers (4 pcs) (E)	4.99
SU-381	53-62	Spring front saddle (LH or RH) (E)	56.99
SU-603	56-57	Spring front saddle mount bolts, "TR" headmark (car) (E)	12.99
SU-604	56-62	Spring front saddle mount bolts, plain headmark (car) (E)	13.99
SU-517	56-62	Spring front saddle frame bracket (LH or RH) (E)	69.99
SU-414	56-59	Spring mount lower plate w/shock stud (LH or RH) (D)	64.99
SU-377	60-62	Spring mount lower plate w/shock stud (LH or RH) (D)	64.99
SU-1570	53-62	Spring rear shackle (2 per car) (D)	ea 29.99
SU-409	53-62	Spring rear shackle kit w/bushings (car set) (D)	69.99
SU-1637	53-55	Spring U-bolt w/nut (4 per car)	ea 19.99
SU-1638	56-62	Spring U-bolt w/nut (4 per car) (D)	ea 12.99
SU-410	53-62	Spring U-bolt nut (8 per car) (D)	ea 1.99



### E 53-62 Spring Front Mount



## Rear Axle Straps

SU-599	53-58	Axle rebound straps w/hardware, 27.25" (D)	71.99
SU-601	59	Axle rebound straps w/hardware, 28.36" (D)	71.99
SU-602	60E	Axle rebound straps w/hardware, 29.90" (D)	71.99
SU-600	60L-62	Axle rebound straps w/hardware, 29.50" (D)	71.99

Note: Zip's axle rebound straps are made from correct material and cut to proper length. Strap kits include plates and rivets for mounting. Car set.

TL-172	53-62	Axle rebound strap rivet tool	39.99
SU-760	53-62	Axle rebound strap bracket, welds to frame (D)	ea 22.99
ZSU-18	53-62	Axle rebound strap retainers (8) (D)	7.99
ZSU-18A	53-62	Axle rebound strap rivets (8) (D)	3.99





## Radius Rod

ZSU-429	59-62	Radius rods w/bushings (2) (D).....	239.99
ZWS-240	59-62	Radius rod bushing set, rubber bushings (4) .....	39.99
SU-438	59-62	Radius rod frame stud w/hardware (per side).....	27.99
SU-977	59-62	Radius rod frame stud hardware (8 pcs).....	14.99
SU-637	59-62	Radius rod to axle hardware, "Delta" headmark (6 pcs).....	8.99
SU-761	59-62	Radius rod axle brackets, welds to axle (2) (D) .....	69.99
SU-759	59-62	Radius rod support, welds to frame (D).....	ea 59.99



## Restoration Poly Bushings

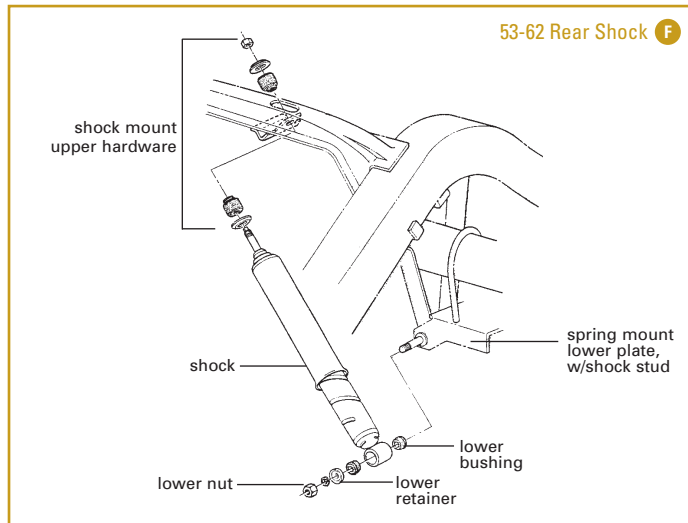
Designed for the enthusiast who wants the pluses of polyurethane (will not rot, deform or wear-out; quicker suspension response), but who also wants an OE appearance. Resto poly bushings feature a "matte" finish and mount using factory brackets when required.



SU-1242	60-62	Rear sway bar 5/8" frame bushings (4).....	49.99
SU-1146	53-62	Rear shock lower grommets (2) .....	8.99
SU-1147	53-62	Rear shock upper grommets (4) .....	19.99
SU-1315	59-62	Radius rod bushings, 2-piece design for OE look (car set) .....	43.99

## Rear Shocks & Mount

SU-120	53-62	Shock, Delco gas-charged (F).....	34.99
SU-972	53-62	Shock mount upper hardware, includes nut, (2) bushings & (2) washers (per side) (F) .....	12.99
SU-980	56-58	Shock mount upper paper covers (2) .....	5.99
SU-1073	56-62	Shock mount stud, welds into lower spring plate.....	ea 23.99
SU-410	53-62	Shock lower nut (F) .....	ea 1.99
SU-978	53-62	Shock lower bushings (4) (F) .....	21.99
SU-117	53-62	Shock lower retainer set, includes nuts, retainers & washers (6 pcs) (F) .....	7.99

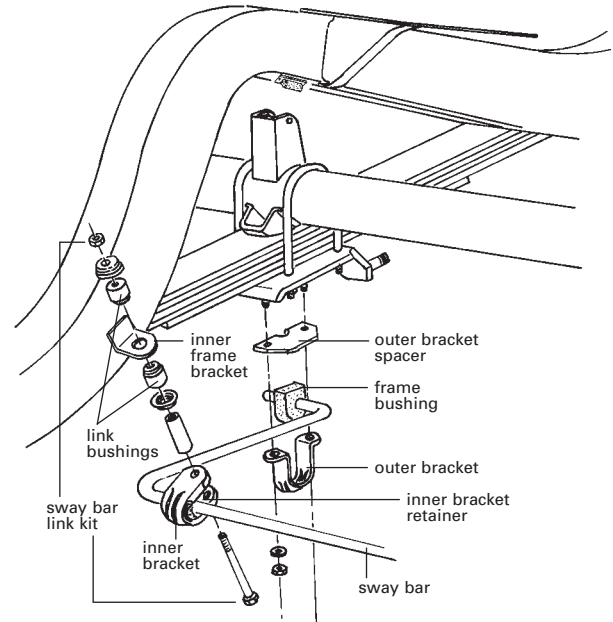


## Rear Sway Bar

SU-423	60-62	Sway bar, reproduction, 5/8" diameter (G).....	136.99
SU-508	60-62	Sway bar inner frame bracket, welds on (G) .....	ea 13.99
SU-353	60-62	Sway bar inner bracket (G) .....	ea 12.99
SU-354	60-62	Sway bar inner bracket retainer (G).....	ea 7.99
SU-341	60-62	Sway bar outer bracket (G) .....	ea 10.99
SU-355	60-62	Sway bar outer bracket spacer (G) .....	ea 7.99
BL-535	60-62	Sway bar outer bracket mount hardware (4 pcs) .....	2.49
WS-4528	60-62	Sway bar frame bushings (2) (per side) (G).....	18.99
SU-422	60-62	Sway bar link kit, includes bolts, spacers & washers for inner bracket (G).....	26.99
SU-563	60-62	Sway bar link bushing (8) (G) .....	11.99



### G 60-62 Rear Sway Bar



## Rear Sway Bar Kit

Improves road manners and overall stability – without affecting factory ride quality. Includes sway bar, stabilizer links, inner and outer mount brackets, "matte" poly bushings and hardware.

SU-655	60-62	Rear sway bar kit, 5/8" .....	239.99
--------	-------	-------------------------------	--------



## Rear Axle & Differential

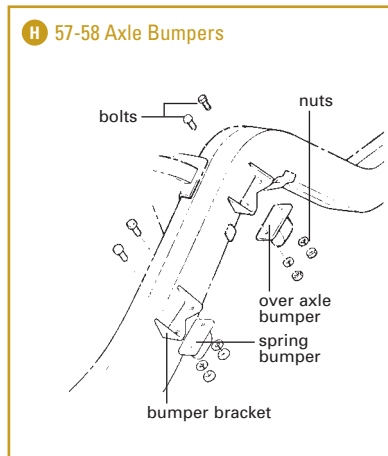
### Axle Housing & Bearings

SU-376	53-56	Axle bearing, rear (w/O-rings).....ea	79.99
SU-375	57	Axle bearing, rear (w/O-rings).....ea	84.99
SU-363	58-62	Axle bearing, rear (w/O-rings).....ea	84.99
SU-1071	57-62	Axle bearing O-ring seals (2 seals), for use w/bearings using 1 O-ring.....	5.49
SU-1072	58-62	Axle bearing O-ring seals (4 seals), for use w/bearings using 2 O-rings.....	10.99
SU-1309	57-62	Axle bearing retainer set, includes (2) bearing retainers, gaskets & correct "AP" headmark bolts (car set).....	45.99
SU-1299	57-62	Axle bearing retainer, All except 62 3.55 ratio.....ea	19.99
BL-447	56-62	Axle bearing retainer bolts, "AP" square head (24 pcs).....	10.99
SU-370	53-62	Axle bearing retainer gasket.....ea	2.99
SU-1466	53-55	Axle bearing seal.....ea	18.99
SU-374	56	Axle bearing seal.....ea	27.99
SU-569	57-59	Axle bearing seal.....ea	14.99
SU-569	60-62	Axle bearing seal, w/positraction.....ea	14.99
SU-373	60-62	Axle bearing seal, w/o positraction.....ea	18.99
SU-589	56-62	Differential fill plug w/copper washer.....ea	18.99
SU-1331	53-62	Differential fill plug copper washer.....	4.49
MF-282	58-62	Differential metal tag, fits under plug.....	9.99
SU-136	53-62	Differential vent (plastic).....ea	3.99
SU-983	53-62	Differential vent (metal).....	16.99
Z-307	57-62	Positraction vent line.....ea	14.99
CZ-1006	57-62	Positraction vent line fitting.....ea	3.49



### Rear Axle Bumpers

SU-343	57-58	Frame over spring bumpers, front (2) (H).....	50.99
SU-342	53-58	Frame over axle bumpers (2) (H).....	50.99
SU-344	59-62	Frame over axle bumpers "curved" (2) (H).....	50.99
SU-976	53-58	Frame bumper bolts & nuts, "WB-1C" headmark w/nuts (does 2 bumpers) (H).....	6.69
SU-633	59-62	Frame bumper bolts, "LG" head, self tapping thread (4).....	9.99
M-3501	53-58	Frame bumper bracket, welds to frame (H).....ea	32.99



### Axle Identification Tags

SU-432	55-62	Axle identification metal tag, 3.08.....	6.99
SU-435	55-62	Axle identification metal tag, 3.36.....	6.99
SU-433	55-62	Axle identification metal tag, 3.55.....	6.99
SU-434	55-62	Axle identification metal tag, 3.70.....	6.99
SU-436	55-62	Axle identification metal tag, 4.11.....	6.99
SU-437	55-62	Axle identification metal tag, 4.56.....	6.99



### Gear Lubricant & Additive

GM's special formula gear lubricants work equally well in positraction and conventional rear ends both. Posi additive stops clutch "chatter" and clunking common to positraction clutch packs. Car requires 46 ounces of gear lube plus a single bottle of additive.

MG-59	GM/Delco gear lubricant, 32 oz.....	19.99
POSI	GM/Delco positraction additive, 4 oz.....	12.99



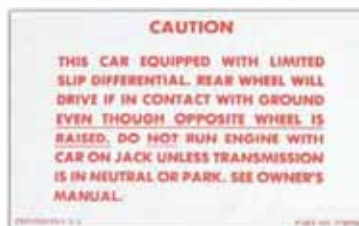
### BG Lubricant & Additive

BG Ultra-Guard provides thermal stability, protection against wear, pitting and corrosion, improved seal performance and quieter operation. Available in 75w/90 for stock applications and HD 75w/140 for racing applications. LSII friction modifier ensures smooth and quiet operation of differential gears and posi clutch pack. Fortifies all GL-5 level gear lubricant additives while providing optimum surface protection. Corvette differentials require 46 ounces of gear lube plus 4 ounces of limited slip additive.

MG-212	BG 75w/90 synthetic gear lubricant, 32 oz.....	24.99
MG-211	BG HD 75w/140 synthetic gear lubricant, 32 oz.....	34.99
MG-213	BG LSII limited slip additive, 6 oz.....	16.99

### Rear End Instructions & Decals

MF-283	57-58	Positraction decal.....	6.69
MF-284	59-62	Positraction decal, trunk.....	4.99



MF-283



MF-284



## Ring & Pinion Gears

Revive your factory rear, or upgrade for some newfound performance, with a fresh set of ring & pinion gears from Zip Products. Gears are matched sets to eliminate noise and whine.



SU-1277	55-62	Ring & pinion gears, 3.08.....	399.99
SU-1209	55-62	Ring & pinion gears, 3.36.....	399.99
SU-926	55-62	Ring & pinion gears, 3.55.....	399.99
SU-925	55-62	Ring & pinion gears, 3.70.....	399.99
SU-924	55-62	Ring & pinion gears, 4.11.....	469.99

## Center Section

SU-708	56-62	Differential axle gear set, includes axle gears, spider gears, thrust washers & center pin, use w/non-posi rear ends.....	209.99
SU-369	53-62	Differential center section gasket.....	7.99
SU-706	53-62	Differential mount (10) nut & copper washer set (I).....	13.99
SU-1197	53-62	Differential pinion flange.....	199.99
SU-367	56-62	Differential pinion seal (I).....	16.99



## Driveshaft & Slip Yoke

SU-1007	53-55	Driveshaft w/U-joints installed (I).....	179.99
SU-337	56-62	Driveshaft, 2 1/2" diameter, w/U-joints installed (I).....	179.99
CR-205	56-62	Driveshaft part number stencil.....	16.99
ZSU-108	53-62	Driveshaft U-joint w/o grease fitting (I).....	ea 19.99
ZSU-108A	53-62	Driveshaft U-joint w/grease fitting (I).....	ea 17.99
SU-1012	53-62	Driveshaft U-joint, heavy-duty non-greasable (I).....	ea 24.99
SU-131	53-62	Driveshaft U-joint U-bolt kit, includes (2) U-bolts w/nuts (per U-joint) (I).....	6.99
SU-850	56-62	Driveshaft underbody U-joint metal shield (I).....	44.99
SU-605	56-62	Transmission slip yoke, 16 splines (I).....	109.99
SU-707	56-62	Transmission slip yoke, 26 splines, Muncie (I).....	99.99



## U-Joint Removal Tool

Allows easy, single-person removal of U-joint while protecting driveshaft and surrounding surfaces from cosmetic damage.



TL-129	U-joint removal tool.....	149.99
--------	---------------------------	--------

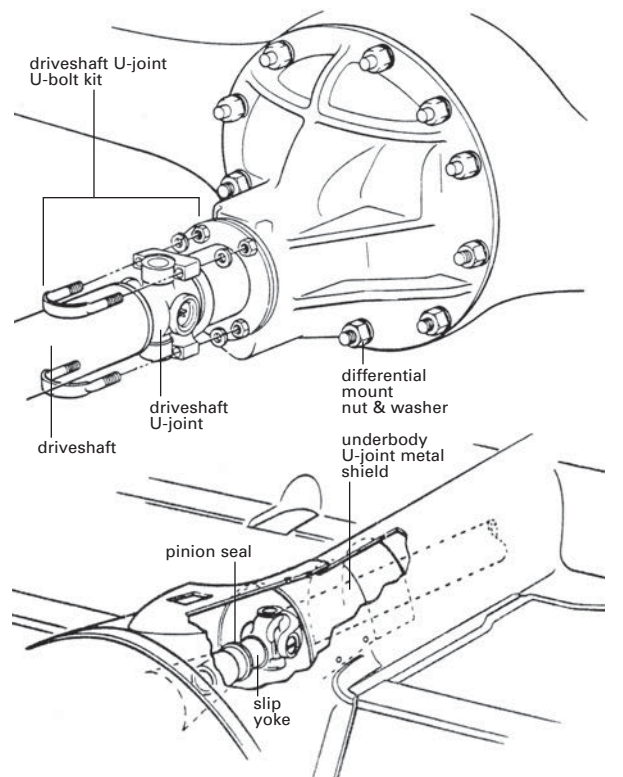
## "Do-It-Yourself" Differential Rebuild

Rebuilding your differential yourself? Zip has everything you'll need. Bearing kits include all the necessary parts for a complete reassembly, including pinion and side axle bearings, races, seals, shims, crush collar and housing gasket. Also included is enough ring gear paint to properly determine your ring gear pattern and set-up. While you've got things apart, Zip recommends changing your carrier clutch plates.

SU-915	53-62	Differential bearing & seal kit.....	159.99
SU-914	56-62	Differential positraction clutch pack.....	99.99



### 1 53-62 Driveshaft & Slip Yoke



Visit us online: [www.zip-corvette.com/dtn2](http://www.zip-corvette.com/dtn2)  
Driveshaft reconditioning and U-joint replacement



## Steering Column

### Steering Column Rebuild Kit

Includes column shaft with worm gear, sector shaft roller, upper column shaft bearing, box bearings and seal kit. Must reuse original sector shaft center bolt.

SC-609	53-57	Steering column rebuild kit.....	459.99
SC-564	58-62	Steering column rebuild kit.....	459.99
SC-331	53-62	Column upper bearing w/horn wire.....	45.99
SPR-145	53-62	Column upper spring.....	7.99
SC-812	53-62	Column wire cover w/screw.....	16.99



### Steering Box Grease Kit

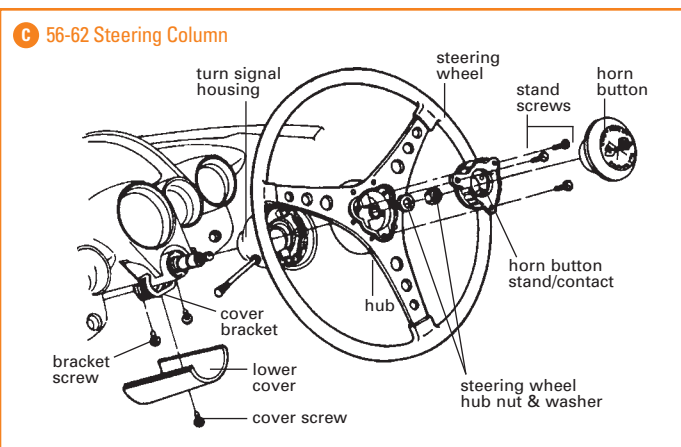
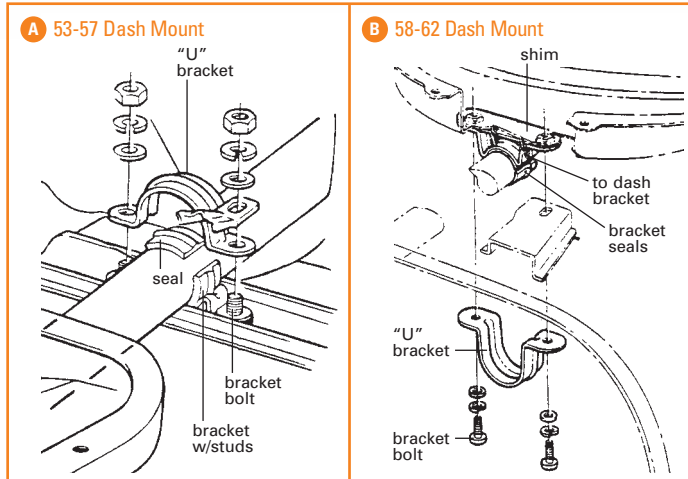
Includes 14-oz. tube of grease plus fitting that replaces one of the box cover bolts – fitting allows use of conventional grease gun to fill steering box.



SC-708	53-62	Steering box grease & fitting kit.....	27.99
--------	-------	--	-------

### Column Dash Mounting

SC-322	53-57	Column to dash bezel, chrome.....	69.99
I-1079	56-57	Column to dash bezel park brake chrome plug.....	6.99
D-953	53-57	Column to dash bezel mount clips (2).....	6.99
SC-19	58-62	Column lower cover, w/screw (C).....	53.99
ZSF-448	58-62	Column lower cover screw (C).....	.99
SC-424	58-62	Column lower cover bracket (C).....	24.99
SF-801	58-62	Column lower cover bracket screws (2) (C).....	2.99
SC-665	53-62	Column mount bracket "U" shaped (A)(B).....	29.99
SC-667	53-62	Column mount to dash bracket (A)(B).....	24.99
SC-386	53-62	Column mount bracket seals (2) (A)(B).....	11.99
SC-610	53-62	Column mount bracket shim set (3) (B).....	11.99
SC-709	53-59	Column underdash bracket bolt set (8) (A)(B).....	4.99
SC-710	60-62	Column underdash bracket bolt set (6) (B).....	5.49



### Steering Wheel

SC-48	56-62	Steering wheel, w/o hub, specify color (C).....	389.99
SC-49	56-62	Steering wheel hub w/bell & steering wheel rivets (C).....	124.99
SC-520	56-62	Steering wheel hub mount kit to wheel (22 pcs).....	21.99
SC-420	56-62	Steering wheel hub nut & washer (C).....	3.99



### Electric Steering Conversion

Converts manual steering to a fully electric steering system – just like the C7 Corvette! Includes 60amp motor, prewired control module with adjustable potentiometer and all mounting hardware. Requires removal and cutting of original steering column. Once installed, electric motor is hidden under dash. Requires 12-volt system. No discount.

SC-879	55-62	Electric power steering conversion.....	1449.99
--------	-------	---	---------





## Horn Button

SC-704	53-55	Horn button.....	78.99
SC-13	56-57	Horn button (C).....	45.99
SC-13A	58-59E	Horn button (C).....	45.99
SC-13	59L-62	Horn button (C).....	45.99
SC-16	56-62	Horn button stand/contact (C).....	19.99
SC-590	56-62	Horn button stand/contact repair rivets (3) (C).....	3.99
ZSC-346	56-62	Horn button stand/contact screws (3) (C).....	1.99
SC-17	56-62	Horn contact, spring loaded.....	8.99
E-660	53-62	Horn wire only.....	13.99



## Turn Signal Lever & Switch Components

SC-426	56-62	Turn signal cancelling switch assembly.....	62.99
<i>Note: SC-426 cancelling switch assembly includes SC-421 and SC-606.</i>			
SC-423	56-62	Turn signal cancelling switch flat centering spring.....	9.99
SC-422	56-62	Turn signal cancelling switch pivot bolt.....	11.99
SC-421	56-62	Turn signal cancelling switch pivot springs.....	5.59
SC-606	56-62	Turn signal cancelling switch "W" spring.....	9.99
SC-14	53-60	Turn signal lever, white knob.....	20.99
SC-15	61-62	Turn signal lever, white knob.....	20.99
SF-449	56-62	Turn signal lever jamb nut.....	2.49
E-104	55-62	Turn signal switch, w/wiring harness.....	24.99
SF-734	55-62	Turn signal switch mount hardware (4 pcs).....	3.49
SC-813	53-62	Turn signal housing, complete, assembled w/turn signal switch, cancelling switch & lock wedge.....	164.99
SC-705	53-62	Turn signal housing (C).....	72.99
SC-593	53-62	Turn signal housing lock wedge w/screw.....	8.99
SC-812	53-62	Wire cover w/screw.....	16.99
SC-707	53-62	Wire cover screw.....	1.49



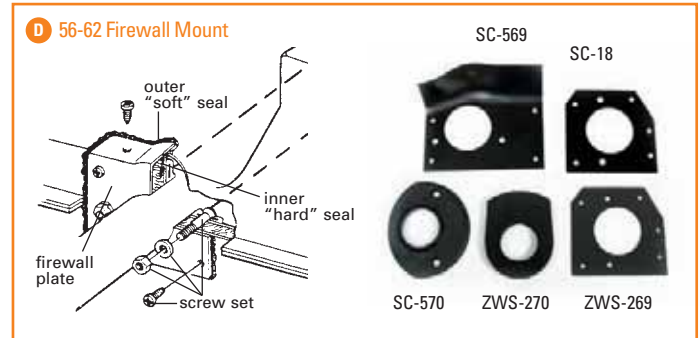
## Steering Box & Mount

SC-379	53-62	Steering box side cover gasket.....	5.99
SC-712	53-62	Steering box shims, 1/16" (4) (E).....	6.69
SC-12	53-62	Steering box bearing kit.....	79.99
SC-572	53-62	Steering box to frame bolt kit (9 pcs) (E).....	11.99



## Firewall Mounting

SC-569	55-57	Column firewall plate (D).....	34.99
SC-18	58-62	Column firewall plate (D).....	15.99
SF-748	58-62	Column firewall plate screws (5).....	3.99
SC-571	56-62	Column firewall plate/inner gasket screw set (6 pcs) (D).....	3.49
WW-293	53-57	Column firewall plate strip caulk.....	5.99
SC-570	53-62	Column inner seal, hard rubber w/steel core.....	32.99
ZWS-270	53-62	Column inner "soft" seal (D).....	5.99
ZWS-269	58-62	Column outer "soft" seal (D).....	5.99



## Flaming River Steering Column

Replacement steering column fits with the original dash configuration. Features GM turn signal and a splined input shaft 3/4"-36 for connection to your existing steering linkage. 1 3/4" tube diameter with 2 3/8" upper housing. Available in paintable mill stainless or polished stainless steel – optional integrated hazard switch.

SC-937	53-62	Steering column, mill stainless.....	589.99
SC-938	53-62	Steering column w/hazard, mill stainless.....	589.99
SC-939	53-62	Steering column, polished stainless.....	829.99
SC-940	53-62	Steering column w/hazard, polished stainless.....	829.99
SC-941	53-62	Column coupler, 3/4" x 3/4"-36.....	54.99
SC-943	53-62	6-Bolt steering wheel adapter.....	154.99
SC-944	53-62	5/6-Bolt steering wheel adapter (original wheel).....	154.99



## Leather Steering Wheel

15" leather steering wheel - Nostalgic looking wheel is the perfect addition to top off a new Flaming River column. Includes Flaming River horn button. Available in Black, Red, or Grey leather. Requires 6-bolt adapter for installation.

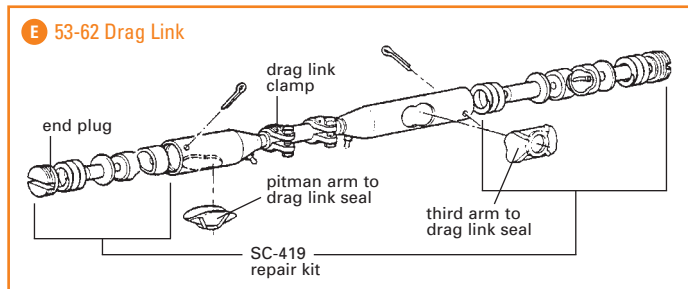
SC-942	53-62	15" leather steering wheel.....	444.99
--------	-------	---------------------------------	--------



## Steering Linkage

### Drag Link

SU-1095	53-62	Drag link clamp (E).....	ea	5.99
BL-461	53-62	Drag link clamp bolts w/nuts, "UR" headmark (8 pcs).....		15.99
SC-533	53-62	Drag link end plug (E).....	ea	8.99
SC-419	53-62	Drag link repair kit, repairs both ends of connecting rod, must reuse old ball studs (car set) (E).....		102.99

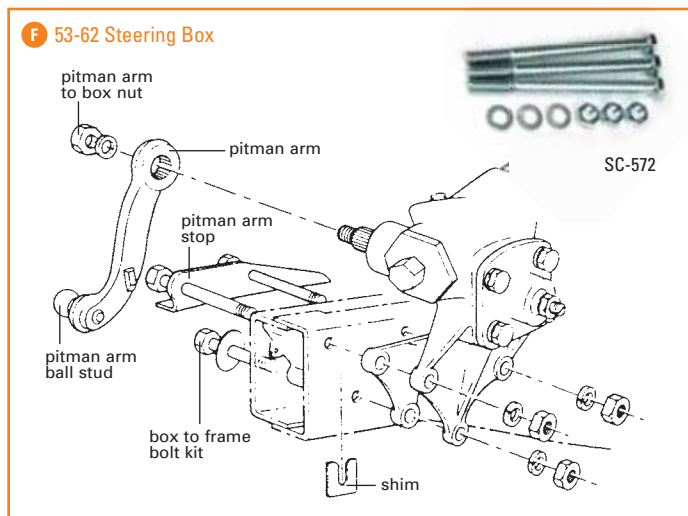


### Tie Rod Ends & Adjusting Tubes

SU-65	53-62	Tie rod end, LH or RH thread.....	ea	24.99
SU-304	53-62	Tie rod end boot, rubber.....	ea	4.99
SU-389	53-62	Tie rod end boots, polyurethane (2).....		7.99
BL-211	53-62	Tie rod end castle nut.....	ea	1.49
ZSU-114	53-62	Tie rod adjusting tube (G).....	ea	30.99
SU-1095	53-62	Tie rod adjusting tube clamp (G).....	ea	5.99
BL-461	53-62	Tie rod adjusting tube clamp bolts/nuts, "UR" head (8 pcs)....		15.99

### Pitman Arm & Mount

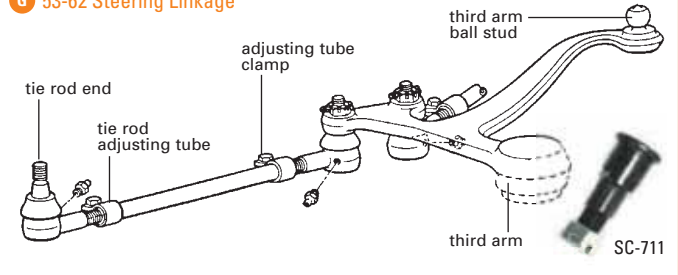
SU-564	53-62	Pitman arm ball stud, presses in (F).....		45.99
SC-607	53-62	Pitman arm to box nut (F).....		3.99
BL-628	53-62	Pitman arm to box nut & washer.....		10.99
SC-534	53-62	Pitman arm to drag link seal (F).....		12.99
SU-1244	53-62	Pitman arm to drag link seal (restoration poly) (F).....		12.99
SC-587	53-62	Pitman arm stop (F).....		Call
SC-712	53-62	Steering box mount shims, 1/16 (4) (F).....		6.69
SC-572	53-62	Steering box to frame bolt kit (9 pcs) (F).....		11.99



### Third Arm & Fast Steering Adapter

SC-585	55-62	Fast steering adapter, w/U-bolt & studs.....		156.99
<i>Note: Fast steering adapter changes steering ratio from 21:1 to 16.3:1.</i>				
SC-814	53-62	Fast steering adapter U-bolt & studs kit includes U-bolt, (2) studs, (4) castle nuts & hardware (car set).....		31.99
SC-41	53-62	Third arm bearing.....		42.99
ZSC-43	53-62	Third arm bearing seal.....		3.99
SU-424	53-62	Third arm bearing snap ring.....		9.99
SC-711	53-62	Third arm bearing stud w/nut.....		30.99
SC-636	53-62	Third arm bearing stud castle nut.....		3.99
BL-534	53-62	Third arm bearing stud cotter pin.....		1.49
SC-605	53-62	Third arm support to crossmember bolts, "TR" head (4).....		6.99
SU-564	53-62	Third arm ball stud, presses in (G).....		45.99
SC-534	53-62	Third arm to drag link seal (G).....		12.99
SU-1244	53-62	Third arm to drag link seal (restoration poly) (G).....		12.99

### G 53-62 Steering Linkage



## Steeroids™ Conversion

Replace your Corvette's out of date recirculating ball steering with a Steeroids rack & pinion kit for improved feel, greater control and faster response. Bolt-on install uses basic hand tools and requires no welding, cutting or drilling. Kit includes rack, brackets, adjustable tie rod ends and ididit steering column in chrome, black or paint to match finish. Power steering adds pump, pulley, engine mount brackets and hoses. Call for details on packages for Corvettes with headers. No Discount.

### Steeroids | Chrome Column

SC-807	55-62	Steeroids conversion & column, manual.....		3299.99
SC-805	55-62	Steeroids conversion & column, power.....		3499.99

### Steeroids | Black Column

SC-799	55-62	Steeroids conversion & column, manual.....		3299.99
SC-797	55-62	Steeroids conversion & column, power.....		3499.99

### Steeroids | Paint To Match Column

SC-803	55-62	Steeroids conversion & column, manual.....		2999.99
SC-801	55-62	Steeroids conversion & column, power.....		3299.99





## Brake Packages

### Brake Hardware Package

All available hardware needed to rebuild your drum brake system. Includes all premium quality components: front and rear brake shoes, front and rear rubber hoses, new front and rear wheel cylinders, shoe hold down, adjustment hardware, and (1) quart DOT 3 brake fluid. Deluxe kit includes everything in EB-213 plus a new master cylinder and (4) brake drums.

EB-213	56-62	Brake hardware package .....	<b>269.99</b>
EB-237	56-62	Deluxe brake hardware package .....	<b>499.99</b>



### Brake Conversion Kit

Have confidence in your brakes! Front brakes provide 70% of your Corvette's stopping power – convert your '56-62 front drums to later-style discs with Zip's conversion kit. Includes (2) single-piston calipers, caliper mount brackets, new rotors with hubs, bearings and caliper rubber hoses. Optional drilled & slotted performance rotors available. Requires fabricating brake lines. No Discount.

DB-519	53-62	Disc brake conversion kit.....	<b>819.99</b>
DB-1214	53-62	Disc brake conversion kit (performance rotors).....	<b>1039.99</b>
DB-576	53-62	Disc brake conversion kit w/dual master cylinder & proportioning valve.....	<b>919.99</b>
DB-1215	53-62	Disc brake conversion kit w/dual master cylinder & proportioning valve (performance rotors).....	<b>1139.99</b>



### Wilwood Dynalite Brake Kits

Serious brake performance, awesome looks! Perfect for the street rod or resto mod Corvette. Wilwood's Dynalite disc brake upgrades feature a forged billet caliper and SRP rotors designed for a no modification installation. Front kits include new replacement hub assembly, bearing and 2-piece design rotor. Rear's feature 1-piece rotor and custom designed internal park brake system mounting to the factory axle shaft. 11" rotor kits provide ample clearance for most 15" wheels (plus a few 14" disc brake steel wheels) while the 12" rotors fit nicely under both 15" and 16" wheels combinations. Go to Zip-Corvette.com for more information. Calipers available in black or red; red calipers add \$90.00.

DB-999	53-62	Wilwood front brake kit w/11" HP rotor .....	<b>861.99</b>
DB-1000	53-62	Wilwood front brake kit w/11" drilled rotor.....	<b>961.99</b>
DB-1001	53-62	Wilwood front brake kit w/12.19" HP rotor .....	<b>892.99</b>
DB-1002	53-62	Wilwood front brake kit w/12.19" drilled rotor.....	<b>992.99</b>
DB-1238	53-62	Wilwood front brake line kit.....	<b>66.99</b>
DB-1003	53-62	Wilwood rear brake kit w/11" HP rotor.....	<b>869.99</b>
DB-1004	53-62	Wilwood rear brake kit w/11" drilled rotor.....	<b>969.99</b>
DB-1005	53-62	Wilwood rear brake kit w/12.19" HP rotor.....	<b>869.99</b>
DB-1006	53-62	Wilwood rear brake kit w/12.19" drilled rotor.....	<b>969.99</b>
DB-1287	53-62	Wilwood rear brake line conversion kit.....	<b>66.99</b>
DB-1191	53-62	Wilwood rear park brake cable kit .....	<b>207.99</b>

### Rear Brake Conversion Kit

Complete you Corvette's disc brake conversion. Rear kit includes all the necessary parts for real braking power while maintaining park brake functionality! The drum to disc brake conversion kit includes (2) OEM style cast-iron calipers with built-in park brake assembly, custom-designed caliper mount brackets, vented rotors, plus mount hardware and caliper rubber hoses. Available in standard or performance drilled and slotted rotors. No Discount.

DB-1217	53-62	Rear disc brake conversion .....	<b>599.99</b>
DB-1216	53-62	Rear disc brake conversion, performance rotors.....	<b>819.99</b>
DB-1218	53-62	Park brake cable kit.....	<b>165.99</b>



### Power Brake Conversion

Power brake conversion for solid-axle Corvette. Bolt-in package includes 7" dual diaphragm booster, master cylinder, custom firewall mount bracket with bellcrank, intake fitting, pedal push rod and all mount hardware. Upgrade to full chrome unit available. 1" bore for drum/drum; 1 1/8" bore for front disc brake upgrade.

DB-1210	53-62	Power brake conversion, 1" bore.....	<b>499.99</b>
DB-1211	53-62	Power brake conversion, 1 1/8" bore .....	<b>499.99</b>
DB-1212	53-62	Power brake chrome conversion, 1" bore.....	<b>699.99</b>
DB-1213	53-62	Power brake chrome conversion, 1 1/8" bore .....	<b>699.99</b>



# Drum Brake Components

## Brake Shoes & Hardware

EB-107	53-62	Brake shoes, front (axle set) (A).....	44.99
EB-108	53-62	Brake shoes, rear (axle set).....	49.99
EB-228	53-56	Brake shoe anchor pin, nut & washer, front or rear (per wheel).....	24.99
EB-228	57-62	Brake shoe anchor pin, nut & washer, front (per wheel).....	24.99
EB-229	57-62	Brake shoe anchor pin, nut & washer, rear (per wheel).....	23.99
EB-230	56-62	Brake shoe anchor pin special washers (2).....	6.99
EB-227	53-62	Brake shoe anchor pin upper retainers (2) (A).....	18.99
EB-216	53-62	Brake shoe adjuster hole covers (4).....	4.99
EB-103	56-62	Brake shoe hold down kit, fits both front or rear, axle set.....	9.99
EB-215	53-62	Brake shoe to cylinder link (8 per car) (A).....	ea 5.99
EB-105	56-62	Brake shoe return springs, front or rear (axle set) (A).....	11.99
EB-217	53-62	Rear brake shoe spreader bar.....	ea 17.99
PB-263	53-62	Rear brake shoe park brake lever w/pin & clip kit (car set).....	66.99
EB-104	53-62	Star wheel adjuster (4 per car) (A).....	ea 12.99
EB-106	53-62	Star wheel adjuster spring (4 per car) (A).....	ea 6.99



EB-108



EB-106

EB-105

EB-103

EB-104

Visit us online: [www.zip-corvette.com/brk6](http://www.zip-corvette.com/brk6)  
Rebuilding Corvette front & rear drum brakes



## Drums & Back Plates

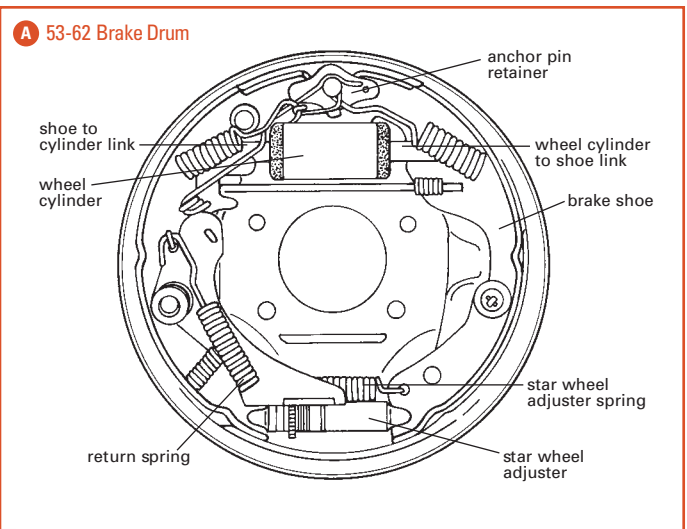
EB-109	53-62	Drum, front or rear, replacement.....	ea 49.99
EB-254	53-62	Drum, front or rear, includes anti-chatter spring.....	ea 109.99
EB-255	53-62	Drum anti-chatter spring (wraps around drum).....	ea 14.99
EB-122	53-62	Drum anti-chatter spring, stainless (wraps around drum).....	ea 18.99
DB-720	59L-62	Front brake ducts, fiberglass, mounts in eyebrow area (2).....	109.99
BL-613	53-62	Front brake back plate hardware, w/o HD (per side).....	39.99
BL-614	53-62	Front brake back plate hardware, w/HD (per side).....	39.99
SU-974	53-62	Front brake back plate upper spacers (4).....	15.99
SU-1316	53-62	Front wheel bearing hub to drum gaskets (2).....	7.99
SU-370	53-62	Rear brake back plate to axle gasket.....	ea 2.99

## OE-Style Bleeder Valve Kit

If your Corvette is judged, bleeder valves with end screw and star washer could improve your score sheet. 5/16" valves fit factory cylinders; 3/8" size fit aftermarket cylinders. Set of 4.



EB-248	56-62	Wheel cylinder bleeder valve kit, 5/16".....	49.99
EB-249	56-62	Wheel cylinder bleeder valve kit, 3/8".....	44.99



## Wheel Cylinders

EB-115	53-62	Wheel cylinder, left front, 1 1/8" diameter (A).....	16.99
EB-116	53-62	Wheel cylinder, right front, 1 1/8" diameter (A).....	16.99
EB-244	53-55	Wheel cylinder, rear.....	ea 49.99
EB-117	56-62	Wheel cylinder, left rear (A).....	16.99
EB-118	56-62	Wheel cylinder, right rear (A).....	16.99
EB-215	53-62	Wheel cylinder to shoe link (8 per car) (A).....	ea 5.99
EB-226	56-62	Wheel cylinder bolts (4 bolts/4 washers).....	5.99
EB-236	56-62	Wheel cylinder bleeder valve.....	ea 3.99
EB-111	56-62	Wheel cylinder rebuild kit, front, 56-59 & 60-62 HD, 1 1/8" diameter.....	9.99
EB-112	60-62	Wheel cylinder rebuild kit, front, 60-62 STD, 1 3/16" diameter.....	12.99
EB-113	56-62	Wheel cylinder rebuild kit, rear, 56-62 except 60-62 HD.....	9.99
EB-114	60-62	Wheel cylinder rebuild kit, rear, 60-62 HD, 7/8" diameter.....	9.99

Note: Wheel cylinder rebuild kits include new springs, seals and end boots; must reuse original piston. Rebuilds one wheel cylinder.



Left-hand ("LH") = driver's side; right-hand ("RH") = passenger side



## Brake Lines & Hoses

### Brake Lines

All lines are steel or stainless steel tubing with double inverted flares and are pressure tested to 2,000 psi. Lines are pre-bent to original shape. Some have spiral armor as original.

Z-303	56-62	Front crossover, left to right side (B)	32.99
Z-303SS	56-62	Front crossover, left to right side, stainless (B)	42.99
Z-304	56-62	Front to rear (B)	42.99
Z-304SS	56-62	Front to rear, stainless (B)	54.99
Z-300	56-62	Left front w/spiral armor (B)	12.99
Z-300SS	56-62	Left front w/spiral armor, stainless (B)	17.99
Z-302	56-62	Master cylinder to 1st block (B)	18.99
Z-302SS	56-62	Master cylinder to 1st block, stainless (B)	25.99
Z-306	56-62	Rear housing line, RH (B)	16.99
Z-306SS	56-62	Rear housing line, RH, stainless (B)	25.99
Z-305	56-62	Rear housing line, LH (B)	22.99
Z-305SS	56-62	Rear housing line, LH, stainless (B)	29.99
Z-301	56-62	Right front w/spiral armor (B)	12.99
Z-301SS	56-62	Right front w/spiral armor, stainless (B)	17.99

### Brake Line Kit

Includes all metal brake lines for listed application. Available in original style TBW steel or stainless. Complete installation with rubber hose kit, blocks and clips which are listed elsewhere in this section.

CZ-1105	54	Steel lines	149.99
CZ-1106	54	Stainless lines	179.99
CZ-1107	55	Steel lines	149.99
CZ-1108	55	Stainless lines	179.99
CZ-376	56-62	Steel lines	134.99
CZ-376SS	56-62	Stainless lines	174.99



### Brake Hoses

DB-15	53-62	Brake hose, front or rear (3 per car) (B)	ea 14.99
DB-801	53-62	Brake hose set, rubber, includes "U" clips & washers	49.99
DB-793	53-62	Brake hose set, stainless, includes "U" clips & washers	84.99
DB-898	53-62	Brake hose set, colored stainless, includes "U" clips & washers, specify red, blue, yellow or graphite	129.99
DB-19	53-62	Brake hose copper washer	ea 1.99
ZDB-40	53-62	Brake hose "U" clip (3 per car) (B)	.99
DB-847	53-62	Brake hose "U" clip, correct (3 per car) (B)	ea 2.99



### Brake Line Blocks

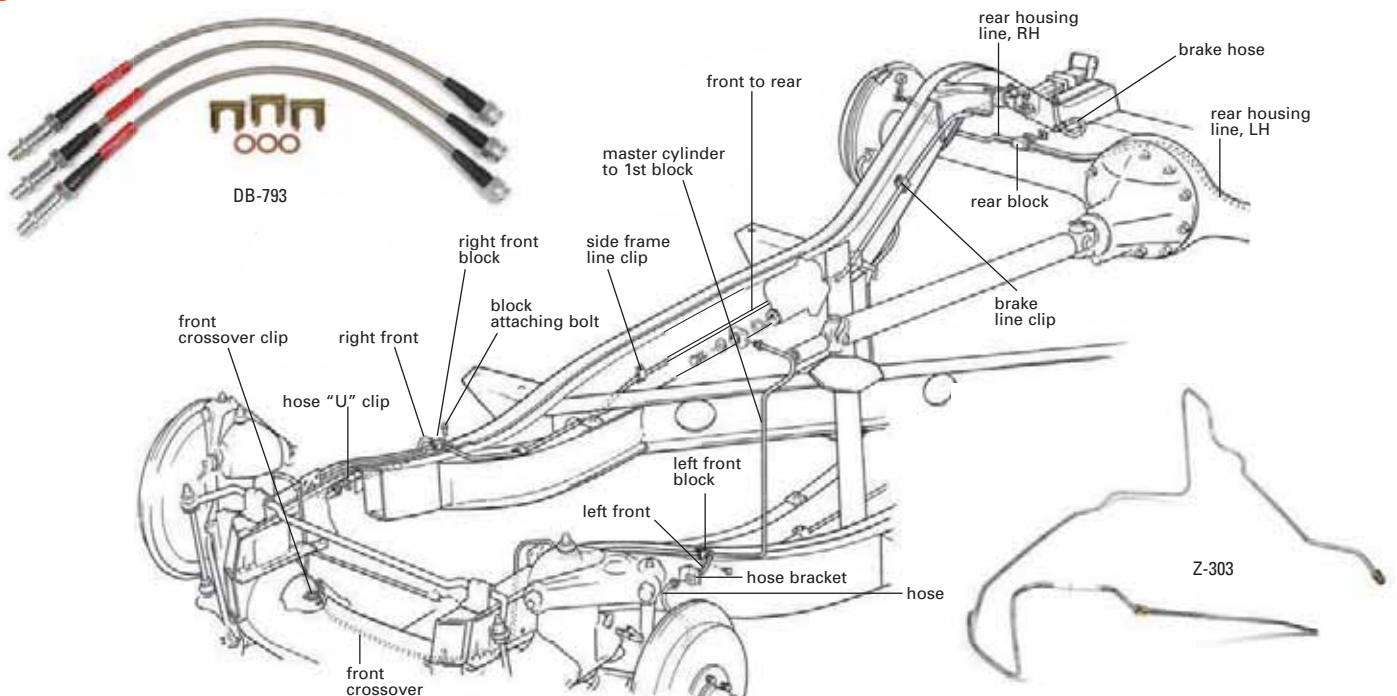
DB-307	53-62	Rear block, mounts on rear end housing (B)	23.99
DB-324	56-62	Left front block (B)	23.99
DB-325	56-62	Right front block (B)	23.99
CZ-1046	56-62	Brake block attaching bolts, "LG" headmark (4) (B)	5.49
M-3508	53-62	Front brake hose bracket, weld on (B)	ea 11.99



### Brake Line Clips

DB-304	53-62	Front crossover clip (2 per car) (B)	ea 5.59
CZ-1066	56E	Side frame line clip, 5/16" line, double line clip for brake & fuel line (B)	ea 4.99
CZ-1067	56L-58E	Side frame line clip, 3/8" line, double line clip for brake & fuel line (B)	ea 4.99
ZDB-305	56-62	Side frame line clip, single line, 56-57 2 per car & 58-62 5 per car (B)	ea 4.99
ZDB-330	58-62	Brake line clip kit, includes (5) ZDB-305, (2) DB-304 & (3) ZDB-40 (B)	29.99

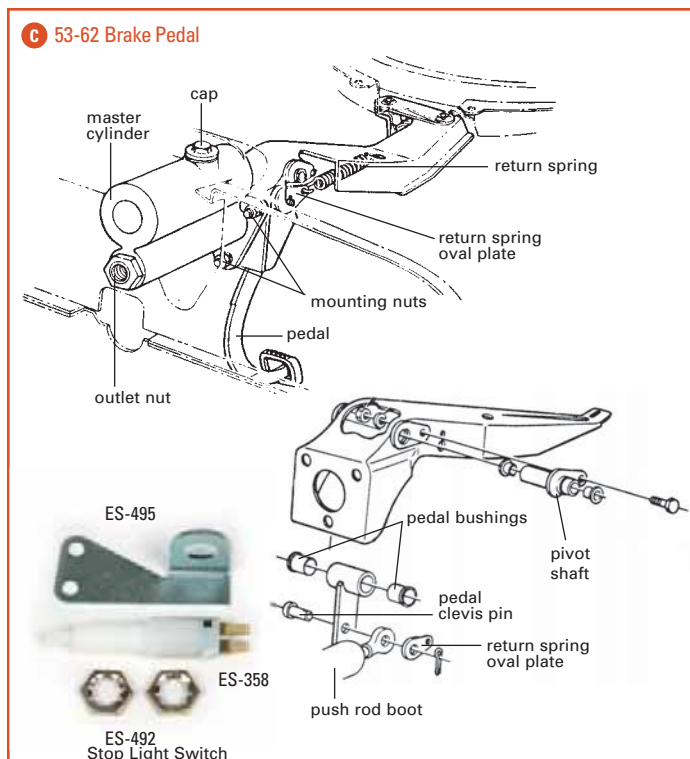
### B 53-62 Brake Lines





## Brake Pedal Components

DB-610	53-57	Brake pedal assembly, Automatic (C)	105.99
DB-609	56-57	Brake pedal assembly, Manual (C)	99.99
DB-721	58-62	Brake pedal assembly	99.99
DB-526	56-62	Pedal clevis pin (C)	9.99
WS-154	56-57	Pedal pad, Automatic	16.99
WS-133	56-57	Pedal pad, Manual	7.99
WS-238	58-62	Pedal pad	6.99
DB-1190	56-62	Pedal pivot shaft (C)	41.99
CL-140	56-62	Pedal pivot shaft bushings, brake & clutch (4) (C)	21.99
CL-141	56-62	Pedal pivot shaft bushings, Automatic (2) (C)	12.99
SPR-115	53-62	Pedal return spring (C)	8.49
CL-166	56-62	Pedal return spring oval plate (C)	7.99
DB-475	56-62	Push rod boot (C)	7.99
ES-571	53-57	Stop light switch conversion harness, allows for use of later-style switch & bracket on 53-57 Corvette	15.99
ES-358	58-62	Stop light switch, white plastic	9.99
ES-492	56-62	Stop light switch nuts (2)	1.99
ES-495	58-62	Stop light switch bracket	16.99



## Master Cylinder

DB-355	53-62	Master cylinder, new, replacement (C)	119.99
DB-974	53-62	Master cylinder connector (D)	19.99
DB-300	53-62	Master cylinder connector, w/bolt & washers (car set) (D)	32.99
DB-975	53-62	Master cylinder connector banjo bolt (D)	12.99
DB-604	53-62	Master cylinder connector washers (2) (D)	4.99
DB-719	53-55	Master cylinder mounting hardware (6 pcs)	2.99
DB-718	56-57	Master cylinder mounting bolts, "TR" headmark (6 pcs)	4.99
DB-976	58-62	Master cylinder mounting hardware (6 pcs) (C)	5.99
EB-234	53-61E	Master cylinder cap (cast iron) (C)	34.99
DB-878	61L-62	Master cylinder cap (correct off-white plastic)	29.99
EB-225	61L-62	Master cylinder cap (white plastic)	18.99
DB-379	53-61E	Master cylinder cap gasket, metal cap	2.99
DB-378	53-62	Master cylinder firewall seal	5.59
EB-231	53-62	Master cylinder outlet nut w/gasket (C)	24.99
EB-224	53-62	Master cylinder outlet nut copper washer	3.99
EB-245	53-62	Master cylinder outlet nut rubber gasket	3.49
DB-475	53-62	Master cylinder push rod boot (C)	7.99
EB-110	53-62	Master cylinder rebuild kit, includes piston, spring & internal seals	36.99



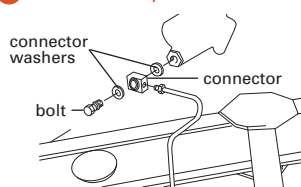
## 59L-62 Master Cylinder

Reproduced to exact factory specifications, new Delco unit includes original-style casting with casting number #5456022, stamped part number #5454480, and correct cap and boot. GM licensed.



DB-825	59L-62	Reproduction master cylinder	169.99
--------	--------	------------------------------	--------

## D 53-62 Master Cylinder



## Brake Fluid

DB-460	All	Brake fluid, DOT 3, quart	8.99
--------	-----	---------------------------	------

## Motive POWER BLEEDER™

One-person bleeder flushes entire system without refilling. A must-have toolbox addition for enthusiasts who do their own service. Totally portable – requires no auxiliary air or power source. Hand pump reservoir features built-in pressure gauge for safe operation. Includes 1 3/16" adapter to fit cap opening on original master cylinder. 1 5/8" adapter available to fit aftermarket master cylinder. Companion 500 ml catch bottles feature return nipple to prevent spills and stainless lanyard to hang bottle near work area. Sold as pair.



DB-859	53-62	Brake bleeder with 1 3/16" adapter (original master)	69.99
DB-1231	53-62	1 3/16" adapter (original master)	34.99
DB-860	53-62	1 5/8" adapter (aftermarket master)	34.99
DB-635		POWER BLEEDER catch bottles (2)	20.99



## Park Brake

### Park Brake Cables

PB-256	56-62	Cable mounting bolts & adjusting nut kit, includes (2) special bolts, (3) castle nuts, washers, cotter keys & hex nuts (E).....	15.99
PB-242	53-62	Cable to lever clevis, "L" (3 per car) (E).....	ea 6.99
EB-101	53-62	Front brake cable (E).....	49.99
PB-245	56-62	Front brake cable firewall spring clip (E).....	8.49
BL-604	53-62	Front brake cable frame bolt & hardware (3 pcs).....	2.99
PB-302	53-62	Front brake cable mounting nuts (6).....	5.59
EB-252	53-55	Rear brake cable, reproduction (2 per car) (E).....	ea 64.99
EB-102	56-62	Rear brake cable, replacement (2 per car) (E).....	ea 44.99
EB-246	56-62	Rear brake cable, reproduction (2 per car) (E).....	ea 54.99
PB-266	56-62	Rear brake cable boots, correct (2).....	17.99
M-3506	53-62	Rear brake cable brackets, weld to frame (LH or RH) (E).....	ea 29.99
PB-202	53-62	Rear brake cable mounting U-clips (2).....	7.99
BL-532	53-62	Rear brake cable mounting nuts (4).....	3.49



### Park Brake Cables Kit

Includes front cable and retainer clip, (2) rear cables and retainer clips, underbody return spring and mounting bolts with adjusting nut kit.

EB-232	56-62	Park brake cables kit, replacement cables.....	179.99
EB-247	56-62	Park brake cables kit, reproduction cables.....	199.99

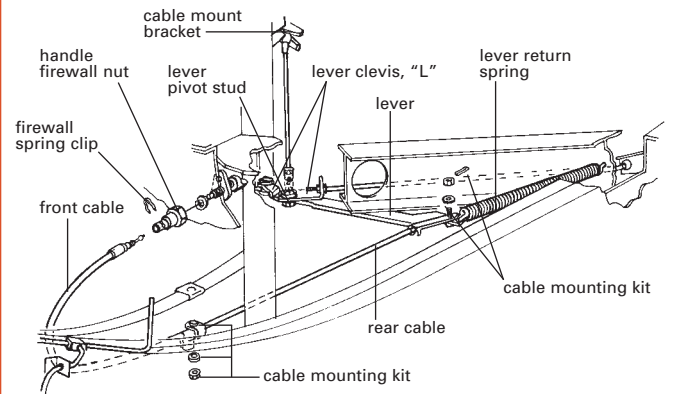


### Park Brake Warning

E-548	55-57	Park brake flasher leads.....	18.99
ES-620	58-62	Park brake warning alarm switch, on shaft.....	74.99
E-448	58-60	Park brake warning harness & light assembly.....	18.99
E-449	61-62	Park brake warning harness & light assembly.....	18.99
L-359	58-62	Park brake warning light bulb.....	2.99



### E 53-62 Park Brake



### Underbody Lever

PB-242	53-62	Cable to lever clevis, "L" (3 per car) (E).....	ea 6.99
PB-243	53-62	Lever (E).....	26.99
PB-254	53-62	Lever pivot stud w/nut, washer & cotter key, welds on (E).....	14.99
BL-603	53-62	Lever pivot stud hardware (3 pcs).....	4.49
BL-533	53-62	Lever rear mount bolt & hardware (5 pcs).....	12.99
DB-321	53-62	Lever return spring (E).....	11.99



### Handle

EB-121	53-57	Handle.....	29.99
EB-120	58-62	Handle, w/white letters.....	45.99
EB-119	58-62	Handle, w/black letters.....	45.99
PB-271	53-62	Handle mounting hardware (12 pcs).....	4.49
PB-246	53-62	Handle firewall nut w/washer (E).....	22.99
PB-255	58-62	Handle stop pin.....	8.99
DB-49A	53-62	Handle spring & pawls kit (3 pcs).....	15.99





## Hubcaps & Wheels

### Hubcaps

H-104	56-58	Hubcap w/spinner, complete.....ea	199.99
H-105	59-62	Hubcap w/spinner, complete.....ea	199.99

### Hubcaps Sets

H-395	56-58	Hubcap set w/spinners (4).....	769.99
H-519	56-58	Hubcap set w/spinners, U.S. Made (4).....	1029.99
H-397	59-62	Hubcap set w/spinners (4).....	769.99
H-520	59-62	Hubcap set w/spinners, U.S. Made (4).....	1029.99



H-395



H-397

### Hubcaps Spinners & Flippers

H-708	53-55	Hubcap flipper set (8).....	169.99
H-101	56-62	Hubcap spinner.....ea	44.99
H-106	56-62	Hubcap spinner retainers & screws (car set).....	19.99
H-571	56-62	Hubcap spinners w/retainers (car set).....	169.99



H-708



H-571

### Valve Stem Caps

Here's an eye-catching wheel accessory that shows you sweat the details: chrome valve stem caps printed with the Corvette cross flags. Also available with matching key fob wrench.



X-449	Cross flags caps.....	14.99
-------	-----------------------	-------

## Wheels & Hardware

SU-1292	56-62	Front wheel grease caps, correct (2).....	24.99
SU-975	56-62	Front wheel static collector.....ea	27.99
H-107	56-62	Lug nut, 7/16".....	.69
H-961	56-62	Lug nuts, 7/16" (20).....	12.99
H-112	56-62	Wheel lock kit (car set).....	22.99
H-444	56-62	Valve stems (set of 5).....	10.99
H-352	56-62	Valve stem caps, metal, DILL 655 (5).....	6.99
H-338	60-62	Valve stem caps, black plastic, DILL 627 (5).....	3.99
H-324	56-62	Wheel, 15" x 5" welded.....ea	144.99
H-963	56-62	Wheel set, 15" x 5" welded (4).....	529.99
H-707	56-62	Wheel dust & stone seal kit, mounts inside wheel to prevent dust & stones from coming through wheel (20 pcs).....	14.99
H-336	56-60E	Wheel studs (1 3/8" length).....ea	1.99
H-471	60L-62	Wheel studs (1 1/2" length).....ea	1.99

15" x 5" welded wheels have correct "nubs" to secure OE-style hubcaps



H-324

H-107 (5)



H-229 (5)



H-112



H-444

H-352

## Wheel & Tire Package

Wheels and tires, pre-mounted, balanced and ready for installation! Reproduction steel wheels available in a full selection of factory style and radial tire options in your choice of brand or sidewall design. Pre-mounted & balanced by our technicians prior to shipping will eliminate the hassle of taking you Corvette to the tire shop. Hubcaps and lug nuts must be ordered separately. No discount.

H-168	56-62	Wheel & tire package.....starting at	1389.99
-------	-------	--------------------------------------	---------





## Reproduction Tires

Cosmetically correct in every detail. '53-61 Corvettes came factory equipped with U.S. Royal, B.F. Goodrich Silvertown or Firestone Deluxe Champion tires. For the '62 model year, Goodyear Custom Super Cushion tires were also available. Sold each. No Discount.

### U.S. Royal

H-483	53-60	6.70 x 15, 2 11/16" whitewall	246.99
H-486	56-60	6.70 x 15, 2 1/2" whitewall	244.99
H-491	62	6.70 x 15, 1" whitewall	246.99
H-495	56-62	6.70 x 15, blackwall	215.99

### B.F. Goodrich Silvertown

H-597	56-60	6.70 x 15, 2 1/2" whitewall	228.99
H-492	62	6.70 x 15, 1" whitewall	228.99
H-494	56-62	6.70 x 15, blackwall	208.99

### Firestone Deluxe Champion

H-484	53-60	6.70 x 15, 2 11/16" whitewall	233.99
H-487	61	6.70 x 15, 2 1/4" whitewall	224.99
H-489	62	6.70 x 15, 1" whitewall	224.99
H-493	56-62	6.70 x 15, blackwall	208.99

### Goodyear Custom Super Cushion

H-750	61-62	6.70 x 15, blackwall	199.99
H-488	61	6.70 x 15, 2 1/4" whitewall	224.99
H-490	62	6.70 x 15, 1" whitewall	214.99

## Classic Radials

For the enthusiast who insists on a smooth ride and performance handling, Zip has "vintage" polyester/steel whitewall radials from American Classic, Coker, Goodyear and B.F. Goodrich. See specific description on-line at [www.zip-corvette.com](http://www.zip-corvette.com). Size 205/75R15 only. Sold each. No Discount.



H-751	56-61	American Classic 2 1/2" whitewall radial	286.99
H-747	56-61	Goodyear 2 3/4" whitewall radial	309.99
H-431	56-61	Coker Classic 2 3/8" whitewall radial	250.99
H-743	56-61	B.F. Goodrich 2 3/8" whitewall radial	307.99
H-746	62	American Classic 1" whitewall radial	181.99



## American Classic Bias Look Radial

Looks of the factory bias ply tire - and yet the enjoyment of riding on fresh radials. 670R15 radial tires feature the narrow tread profile, "pie crust" shoulder and original style sizing. Modern steel belted radial construction offers excellent ride quality, handling, tread life and safety.



H-1133	56-61	American Classic Bias Look 2 3/4" whitewall radial	305.99
H-1097	62	American Classic Bias Look 1" whitewall radial	259.99

## Spare Tire Components & Jack

### Jack, Handle & Lug Wrench

TR-58	53-61	Jack, w/handle, reproduction	Call
TR-59	62	Jack, w/handle, reproduction	Call
TR-89	53-61	Jack handle, reproduction (A)	52.99
TR-90	62	Jack handle, reproduction (A)	52.99
TR-18	56-60	Jack handle & lug wrench clips (2)	17.99
SF-748	56-60	Jack handle clip screws (5 pcs)	3.99
TR-22	61-62	Jack handle & lug wrench clip (A)	12.99
TR-105	61-62	Jack handle pad set (3)	4.99
TR-72	53-60	Lug wrench, reproduction (A)	59.99
TR-73	61-62	Lug wrench, reproduction (A)	59.99

### Spare Tire Board

TR-15	53-55	Spare tire board, w/foam cushions (A)	99.99
TR-15	56-60	Spare tire board, w/foam cushions (A)	99.99
TR-21	61-62	Spare tire board, w/foam cushions (A)	99.99

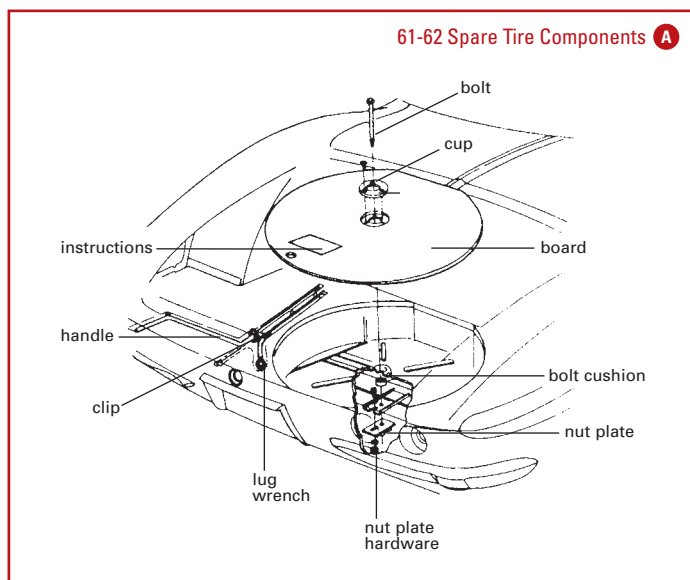
Note: Spare tire boards are high-quality 5-ply material, stained as original.

TR-16	53-62	Spare tire board bolt (A)	14.99
TR-91	53-62	Spare tire board foam cushions (3)	9.99
TR-17	53-62	Spare tire board cup w/screws (A)	14.99
ZWS-155	53-62	Spare tire bolt frame cushion (A)	3.99
TR-19	53-62	Spare tire bolt frame nut plate (A)	14.99
TR-140	53-62	Spare tire bolt frame nut plate "TR" bolt & hardware (A)	2.99

### Tire & Jack Instructions

MF-300	53-60	Jacking instructions (A)	4.99
MF-301	61-62	Jacking instructions (A)	4.99

See page 59 for trunk related components; page 101 for trunk mats & liner boards.



## Fuel Injection

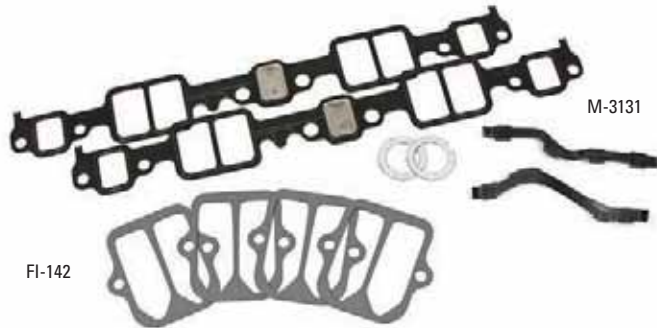
### Intake & Gaskets

M-3131 57-62 Intake manifold gasket set ..... 40.99

*Note: Intake manifold gaskets are made from correct dark-colored "Korematal" material and feature original "round tab" ends not found on aftermarket gaskets. '57-62 fuel injection set includes block-off plates for heat riser passage.*

FI-141 57-59 Plenum to manifold base gasket, 1-piece ..... 49.99

FI-142 60-62 Plenum to manifold base gaskets (4) ..... 26.99



### Fuel Injection Rebuild Kit

Includes gaskets, Viton needle and seat, diaphragms, O-rings, screens and specifications.

FI-237 57 Fuel injection unit rebuild kit ..... 249.99

FI-143 58-62 Fuel injection unit rebuild kit ..... 249.99



### Bellcrank, Throttle Rod & Return Spring

SPR-102 57-62 Accelerator return spring, primary ..... 9.99

SPR-103 57-62 Accelerator return spring, secondary ..... 9.99

FI-158 57-58 Accelerator return spring bracket ..... 19.99

FI-159 58 Accelerator return spring extension ("hook") ..... 9.99

FI-160 59-62 Accelerator return spring bracket ..... 13.99

FI-161 58-62 Bellcrank ..... 97.99

FI-162 57-62 Bellcrank mount stud, standard size ..... 22.99

FI-163 57-62 Bellcrank mount stud, oversize ..... 29.99

FI-164 57-62 Bellcrank to air meter rod w/ballstuds ..... 49.99

CZ-1031 57 Throttle rod w/bracket assembly, correct reproduction ..... 349.99

FI-165 57-58 Throttle rod ..... 36.99

FI-166 59-62 Throttle rod ..... 36.99



### Fuel Meter & Pump

FI-197 57-62 Fuel meter shield ..... 14.99

FI-281 58-62 Fuel meter spill valve assembly ..... 89.99

FI-236 59-62 Fuel meter anti-syphon valve ..... 69.99

FI-231 57-62 Fuel meter main diaphragm w/disc ..... Call

FI-198 57-59 Fuel meter lid gasket, 57 or 59 ..... 12.99

FI-132 58-62 Float lever, brass, replacement lever for original float ..... ea 20.99

FI-136 57-62 Injector fuel pump to fuel meter gasket ..... 34.99

CZ-819 57-62 Injector fuel pump shaft & seal kit ..... 49.99

FI-137 57-62 Injector fuel pump drive gear pin, secures gear to pump shaft ..... 7.99

FI-129 57-62 Injector pump drive cable, includes cable, nut, fiber washer, O-ring & flex shaft ..... 79.99

FI-130 57-62 Injector pump drive cable inner flex shaft, 5 3/4" original cable (6 5/16" long) ..... 28.99

FI-131 57-62 Injector pump drive cable inner flex shaft, 6 1/8" original cable (6 3/4" long) ..... 28.99

FI-138 57-58E Injector pump drive cable hex nut ..... 27.99

FI-139 58L-62 Injector pump drive cable knurled nut ..... 32.99

FI-140 57-62 Injector pump drive cable O-ring & washer kit (3 pcs) ..... 7.99



### Nozzle & Spider Assembly

FI-144 57-62 Nozzle block, correct ..... ea 109.99

FI-145 57-62 Nozzle block gaskets (4) ..... 17.99

FI-260 57-62 Nozzle block retainers (4) ..... 16.99

FI-148 57-62 Nozzle O-ring gaskets (8) ..... 19.99

FI-149 59L-62 Spider assembly, replacement for 57-59E ..... 359.99

FI-150 57-62 Spider bracket ..... 24.99

FI-151 57-62 Spider bracket rubber grommet ..... 3.49

FI-152 57-62 Spider copper nozzle line ..... ea 12.99

FI-153 57-62 Spider copper nozzle line nut ..... ea 4.99

FI-154 57-62 Spider copper nozzle line ferrule ..... ea 3.99



### Fuel Filter

M-3671 57E Fuel filter assembly w/mount bracket ..... 679.99

M-3672 57-58 Fuel filter assembly w/mount bracket ..... 679.99

FI-168 57-58 Fuel filter element, replacement ..... 34.99

FI-169 57-58 Fuel filter O-ring, large ..... 3.99

FI-171 57-62 Fuel filter inlet screen, fits in fuel meter under fitting ..... 6.99

FI-172 59-61 Fuel filter to meter adapter fitting ..... 8.99

FI-173 62 Fuel filter to meter adapter fitting ..... 7.99

FI-174 58L-61 Fuel filter wrench ..... 29.99

### FI. Distributor Parts

FI-208 57-62 Mounting spacer w/securing pin ..... 31.99

FI-225 57-62 Mounting spacer gaskets (2) ..... 8.99

FI-219 57-62 Rebuild kit, includes (15) components for rebuild service ..... 79.99

## Choke & Fast Idle

FI-278	57	Choke cover w/lead .....	179.99
FI-279	58-61	Choke cover w/lead .....	179.99
FI-280	62	Choke cover w/lead .....	229.99
E-451	57	Choke electric lead repair kit.....	23.99
E-452	58-61	Choke electric lead repair kit.....	23.99
E-453	62	Choke electric lead repair kit.....	23.99
FI-175	57-61	Choke housing vent felt .....	6.99
FI-177	57-61	Choke repair kit, includes small plunger, check ball, spring & welch plug .....	69.99
FI-178	57	Fast idle cam .....	26.99
FI-179	58-61	Fast idle cam .....	24.99
FI-180	62	Fast idle cam, small .....	29.99
FI-181	62	Fast idle cam, large .....	44.99
FI-182	57-65	Fast idle cam screw .....	9.99
FI-183	57-61	Fast idle cam spring .....	24.99
FI-184	57	Fast idle cam to choke rod .....	27.99
FI-185	58-61	Fast idle cam to choke rod .....	25.99
FI-186	62	Fast idle cam to choke rods (2) .....	66.99



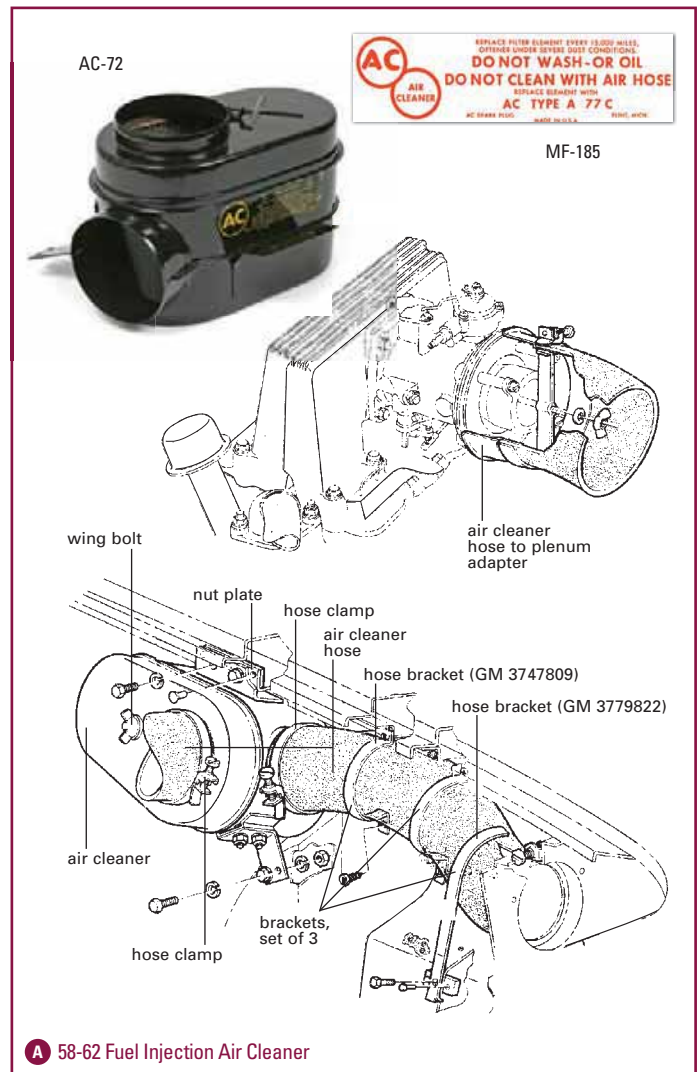
## Forward Balance Tube & Hose Kits

FI-189	57	Forward balance tube, unit 4360 .....	109.99
FI-190	57	Forward balance tube, unit 4520 .....	44.99
FI-191	57	Forward balance tube, unit 4800 & 4960 .....	44.99
FI-192	58-61	Forward balance tube .....	44.99
FI-193	62	Forward balance tube .....	44.99
FI-194	57-62	Forward balance tube clip .....	9.99
FI-188	57	Hose kit, thin wall hose, includes air meter to air idle tube connector .....	34.99
FI-187	58-62	Hose kit, thin wall vacuum hose, includes seamed rubber elbow .....	49.99



## Air Meter & Plenum

FI-133	58-62	Air cleaner adapter, includes lines & beaded tube (A) .....	Call
FI-155	62	Air cleaner adapter mounting bracket .....	26.99
AC-197	57-62	Air cleaner adapter gasket .....	3.99
FI-235	57-62	Air meter piezometer ring .....	139.99
FI-156	57-65	Plenum to air meter stud kit, w/nuts & washers .....	9.99
FI-157	58-62	Plenum rear vacuum fitting .....	34.99



**A** 58-62 Fuel Injection Air Cleaner

## Fuel Injection Air Cleaner

AC-71	58-62E	Air cleaner, 58-61 & 62 up to S/N 3000 (ND) (A) .....	899.99
AC-72	62	Air cleaner, 62 after S/N 3000 (ND) (A) .....	899.99
<i>Note: Fuel Injection air cleaners are "concours quality" reproductions.</i>			
AC-177	57	Air cleaner element .....	19.99
AC-73	58-62E	Air cleaner element, washable .....	69.99
AC-178	62	Air cleaner foam element .....	54.99
AC-74	62	Air cleaner foam element screen .....	Call
AC-179	58-62	Air cleaner to inner fender upper reinforcement nut plate w/rivets (A) .....	16.99
M-153	58-62	Air cleaner hose (2 pcs) (A) .....	49.99
AC-106	60-62	Air cleaner hose bracket (GM 3779822) (A) .....	14.99
AC-180	58-62	Air cleaner hose bracket (GM 3747809) (A) .....	13.99
M-153B	61-62	Air cleaner hose brackets (set of 3) (A) .....	35.99
HC-620	58-62	Air cleaner hose clamp, correct (A) .....	ea 29.99
M-2726	58-62	Air cleaner hose screen w/screws .....	28.99
M-2725	56-62	Air cleaner hose block off plate, used on cars without F.I. ....	22.99
MF-185	58-61	F.I. instructions decal .....	6.69
MF-186	62	F.I. instructions decal .....	6.69



## Carburetor

### Carburetor Brass Vent Tubes

Sits above air horn of each carburetor on '56-61 2x4 systems. Exact reproduction (2 required per carburetor).

Z-830	56-61	Brass vent tube for rear of carburetor .....	12.99
Z-831	56-61	Brass vent tube for front of carburetor .....	12.99



### Carburetor Fittings

M-2773	55-57	Front carburetor vacuum plug, slotted.....	7.99
M-2774	58-62	Front carburetor vacuum plug, hex .....	7.99
M-2775	53-57	Rear carburetor vacuum fitting, 1x4 & 2x4 .....	12.99
M-2776	58-61	Rear carburetor vacuum fitting, 1x4 & 2x4 .....	12.99

M-2773



### Carburetor Tag

OE-style brass tag with stamped ID, dividers and border. Note tag does not include production date code. Limited availability. Offered for year/ID combinations listed below only.

Carburetor identification tag..... 14.99

Part#	Year	ID
Z-852	55	2351 S
Z-853	55-56	2366 S
Z-854	56	2419 S, front 2x4
Z-855	56	2362 S, rear 2x4
Z-865	57	2366 SA, 220 hp
Z-856	57	2655 S, 220 hp
Z-857	57-61	2626 S, front, 245 hp
Z-858	57-61	2627 S, rear, 245 hp
Z-859	57-61	2613 S, front, 270 hp
Z-860	57-61	2614 S, rear, 270 hp
Z-861	60-61	3059 S, 230 hp
Z-867	62	3191 S, 250 hp
Z-862	62	3269 S, 300 & 340 hp



Z-852

### Carburetor Rebuild Kit

Includes all needed gaskets and hardware to completely disassemble and rebuild your Corvette's factory carburetor(s).

CZ-810	56-61	WCFB 2x4 carburetor rebuild kit (2 kits required for 2x4 cars) .....	39.99
CZ-810	55-62	WCFB 1x4 carburetor rebuild kit.....	39.99
CZ-811	62	AFB carburetor rebuild kit.....	39.99



CZ-810

### Carburetor Rebuild Service

Professional rebuild of WCFB or AFB carburetor. Includes complete disassembly and re-plating. Carburetor body and base plate machined for straightness and then reassembled with all new small parts. Tested and flowed prior to delivery.

S-213	55-62	WCFB or AFB rebuild service, 1x4 .....	379.99
S-214	56-61	WCFB rebuild service, 2x4 set-up (car set).....	899.99



S-214

### Individual Carburetor Rebuild

CZ-1037	58-62	Accelerator pump rod, WCFB .....	29.99
CZ-1015	62	Carburetor inlet fitting, AFB, 5/16" .....	11.99
CZ-1152	62	Carburetor inlet filter screen, AFB .....	4.49
CZ-1012	59-62	Carburetor inlet fuel filter, WCFB & AFB .....	4.99
CZ-1136	59-62	Carburetor inlet fuel filter gasket, WCFB .....	2.99
CZ-1080	56-61	Throttle shaft w/arm & butterfly plates, 2x4 front carb (hard chrome plated) .....	109.99
CZ-1081	56-61	Throttle shaft w/arm & butterfly plates, 2x4 rear carb (hard chrome plated).....	109.99
CZ-1032	56-61	Throttle shaft arm only, 2x4 front carb .....	89.99
CZ-1033	56-61	Throttle shaft arm only, 2x4 rear carb .....	89.99
CZ-1082	55-62	WCFB carburetor screw kit, includes (18) correct screws for refinishing outside of WCFB carburetor .....	24.99
CZ-1083	57-61	WCFB fast idle assembly, includes fast idle cam, secondary lockout, choke release link, choke rod & shaft clip.....	69.99



CZ-1082

CZ-1081

CZ-1080

CZ-1037

CZ-1083

### FiTech Fuel Injection

Ditch the carb and advance into the EFI world with FiTech's bolt-on throttle body fuel injection system.

The Go Street EFI system is ready to run WITHOUT programming. Simply bolt-on in place of a Holley or Q-Jet carb and the self-tuning system will eliminate cold start issues, hesitation, vapor lock and flooding problems. The more you drive; the more it adapts to your application. Note: Requires use of 58psi fuel pump. No discount. See [www.zip-corvette.com](http://www.zip-corvette.com) for more information.

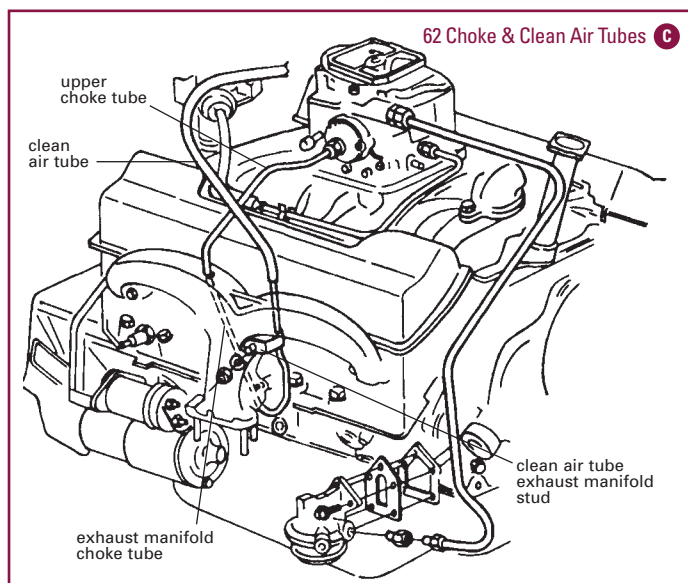
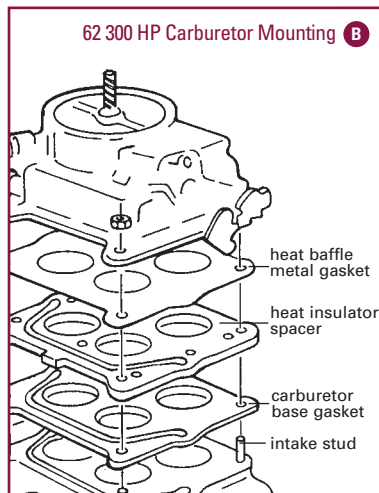
PM-859	57-62	FiTech Go Street 400hp fuel injection.....	859.99
PM-860	57-62	FiTech Go EFI 600hp fuel injection, black .....	999.99
PM-863	57-62	FiTech Go EFI 600hp fuel injection, aluminum.....	999.99
PM-861	57-62	FiTech Go Classic 650hp fuel injection.....	1074.99



PM-860

## Carburetor Mounting

CZ-948	56-62	Carburetor to intake stud & nuts, fits WCFB & AFB except 62 300 hp (car set).....	6.99
<i>Note: CZ-948 does not include vacuum advance stud, must order separately.</i>			
CZ-1021	62	Carburetor to intake stud & nuts, 300 hp (car set) (B).....	5.99
CZ-1153	58-62	Carburetor to intake hollow stud, 2 3/16".....	10.99
CZ-1154	62	Carburetor to intake hollow stud, 300 hp, 2 1/2".....	10.99
Z-938W	56-61	Carburetor base gasket, 1x4 WCFB.....	7.99
Z-951	56-61	Carburetor base gasket, 2x4 WCFB.....	ea 6.99
Z-938A	62	Carburetor base gasket, 300 hp.....	6.99
Z-875	62	Carburetor base gasket, 250 hp.....	5.99
CZ-1069	62	Carburetor base gasket, 340 hp (B).....	12.99
CZ-942	62	Heat baffle metal gasket, 300 hp (B).....	11.99
CZ-943	62	Heat insulator spacer, 300 hp (B).....	29.99



## Clean Air Tube

Mounts from beneath exhaust manifold to top of engine near valve cover. Rubber hose connects tube to carburetor air horn.

Z-520	62	Clean air tube, carburetor engines (C).....	40.99
Z-523	62	Clean air tube exhaust manifold stud, nut & washer (C).....	6.99
Z-982	62	Clean air tube hose only.....	2.99



## Choke

### Choke Tube

Pre-bent steel tube for choke operation. Mounts from exhaust manifold to carburetor choke. Exact match to factory shape and chrome plated as applicable. Includes all necessary fittings.

Z-500	55	Upper choke tube, 195 hp.....	13.99
Z-502	56	Upper choke tube, 210 hp.....	13.99
Z-502	56	Upper choke tube, 2x4 (3-bolt manifold).....	13.99
Z-502	57-61	Upper choke tube, 2x4 engines.....	13.99
Z-503	57-58	Upper choke tube, 220 & 230 hp, top choke WCFB.....	13.99
Z-505	59-62	Upper choke tube, 230 & 250 hp, bottom choke WCFB.....	13.99
Z-505	62	Upper choke tube, 300 & 340 hp AFB (C).....	13.99
ZEX-375	57-62	Exhaust manifold choke tube, located in RH exhaust manifold, All except F.I. (C).....	11.99



### Choke Housing

CZ-1002	55-61	Choke housing cover, WCFB 55-56 1x4 & 56-61 2x4, w/retainers.....	29.99
CZ-999	57-62	Choke housing cover, WCFB, w/fitting.....	42.99
CZ-997	62	Choke housing cover, AFB, w/fitting.....	44.99
CZ-1085	58-62	Choke housing cover gasket.....	3.99
CZ-1086	58-62	Choke housing cover retaining ring.....	7.99
CZ-1087	58-62	Choke housing cover retaining screws (3 pcs).....	2.99
CZ-560	55-62	Choke housing internal disk w/thermal spring & retainers, 1x4 WCFB & AFB.....	59.99
CZ-1043	58-62	Choke housing internal slotted plate.....	9.99
CZ-1041	55-62	Choke housing internal thermal spring.....	17.99
CZ-1088	58-62	Choke housing mounting screws, WCFB (6 pcs).....	2.99
CZ-1089	62	Choke housing mounting screws, AFB (3 pcs).....	2.99
CZ-1090	58-62	Choke housing rod w/clip, WCFB.....	9.99
CZ-1091	62	Choke housing rod w/clip, AFB.....	9.99

### AFB Choke Components



### WCFB Choke Components



## Carburetor Linkage

CZ-769	55-62	Carburetor rod, 1x4 (D).....	15.99
CZ-764	55-62	Carburetor rod adjusting swivel (D).....	7.99
Z-874	55-62	Carburetor rod attaching clip.....	ea 1.99
CZ-786	55-62	Carburetor rod grommet & plastic sleeve kit (4 pcs) (D).....	4.99
CZ-702	56-61	Carburetor linkage kit, 2x4, includes rods w/swivel & clevis, slider & bolt, (2) springs & (2) brackets w/retainers.....	61.99
Z-763	55-61	Return spring, 1x4 (black) (D).....	9.99
CZ-1215	56-61	Return spring, 1x4 (green) (D).....	9.99
Z-747	56-61	Return spring, 2x4 front.....	10.99
Z-748	56-61	Return spring, 2x4 rear.....	10.99
SPR-104	62	Return spring, 250 & 300 hp (green).....	10.99
CZ-750	62	Return spring, 340 hp (white).....	8.99
CZ-749	56-61	Return spring bracket, 2x4 front & rear.....	ea 9.99
CZ-749	55-61	Return spring bracket, 1x4 (D).....	9.99
CZ-749	62E	Return spring bracket, 250 & 300 hp (D).....	9.99
CZ-1178	62L	Return spring bracket, steel, 250 & 300hp (D).....	10.99
CZ-753	62L	Return spring bracket, stainless, 250 & 300 hp (D).....	9.99

*Note: CZ-753 was used after March '62.*

CZ-758	62	Return spring bracket, 340 hp.....	13.99
--------	----	------------------------------------	-------

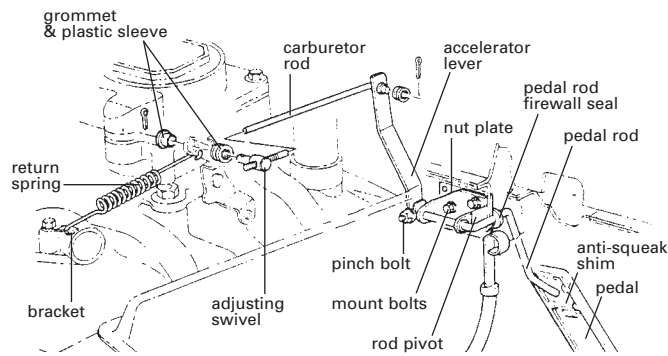
## Accelerator Pedal Components

CZ-1009	56-57	Accelerator lever at firewall (D).....	36.99
M-2708	58-62	Accelerator lever at firewall (D).....	24.99
M-2618	56-62	Accelerator lever lower pinch bolt, "TR" headmark (D).....	2.49
WS-100	55-57	Accelerator pedal.....	24.99
SF-675	55-57	Accelerator pedal mount hardware (8 pcs).....	4.49
WS-201	58-62	Accelerator pedal, replacement (D)(E).....	14.99
WS-4510	58-62	Accelerator pedal, correct (D)(E).....	19.99

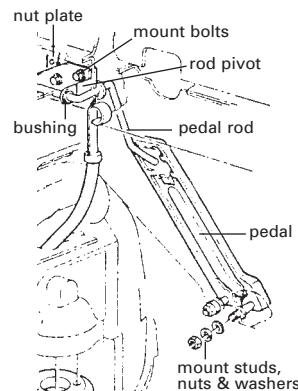
*Note: Accelerator pedals include anti-squeak shim already installed.*

WS-266	58-62	Accelerator pedal mount studs, nuts & washers, stainless (car set) (E).....	13.99
WS-4601	58-62	Accelerator pedal mount studs w/support plate, supports floor pan & corrects oversized holes, stainless (car set).....	15.99
CZ-1036	58-62	Accelerator pedal rod (D)(E).....	34.99
DR-555	55-62	Accelerator pedal rod firewall seal, correct foam seal (D).....	11.99
CZ-1229	55-57	Accelerator pedal rod pivot (D)(E).....	41.99
CZ-1008	58-62	Accelerator pedal rod pivot (D)(E).....	18.99
SF-730	56-62	Accelerator pedal rod pivot mount bolts (4 pcs) (D)(E).....	4.99
SF-727	56-62	Accelerator pedal rod pivot bushings (2) (E).....	3.99
CZ-1010	58-62	Accelerator pedal rod pivot nut plate (D)(E).....	10.99
CZ-1070	58-62	Accelerator pedal rod & pivot assembly.....	46.99

### D 56-62 Carburetor Linkage & Accelerator Pedal



### E 56-62 Accelerator Pedal



# 10%

# RESTORER'S DISCOUNT

HOW IT WORKS – Retail customers receive 10% savings on a minimum purchase of \$850.00 of any combination of parts and/or accessories from this catalog or Zip's Web store. Sorry, No Discount ("ND") items may be included in total value but are not eligible for discount. Offer applies to a single order only and some restrictions apply, call your Zip Products sales representative for details.



## Air Cleaner

### 55-57 Air Cleaner

AC-236	55	Air cleaner assembly, 1x4, correct.....	1449.99
AC-238	56-57	Air cleaner assembly, 1x4, correct.....	1449.99
AC-140	56-57	Air cleaner assembly, 1x4, 6 1/4" diameter replacement.....	129.99
AC-14	56-57	Air cleaner assemblies, 2x4 (2).....	229.99



AC-238



AC-140



56-57 2x4 Air Cleaner



AC-14

### 58-60 Air Cleaner

AC-15	58-60	Air cleaner assembly, 1x4, up to 60 S/N 875.....	199.99
AC-17	58-60	Air cleaner assembly, 2x4, up to 60 S/N 900.....	239.99

Note: '58-60 air cleaners were sealed units. '60-Late-62 air cleaners included a separate lid and base and used a replaceable filter. These air cleaners are identical and can be used on earlier Corvettes when a replaceable filter is desired.



58-60 2x4 Air Cleaner

### 60-62 Air Cleaner

AC-16	60-62	Air cleaner assembly, 1x4, w/foam element & "zig-zag" wire, after 60 S/N 875.....	269.99
AC-18	60-61	Air cleaner assembly, 2x4, w/foam element & "zig-zag" wire, after 60 S/N 900.....	299.99
AC-152	60-62	Air cleaner base, 1x4.....	60.99
AC-153	60-61	Air cleaner base, 2x4.....	75.99
AC-172	60-62	Air cleaner lid, 1x4.....	154.99
AC-173	60-61	Air cleaner lid, 2x4.....	184.99
AC-24F	60-62	Air filter foam element, original-style.....	22.99
AC-87	60-62	Air filter foam "zig-zag" spring, retains foam.....	36.99
AC-21	60-62	Air filter paper element, Delco replacement.....	14.99



AC-87

AC-24F

### Air Cleaner to Carburetor Mount

CZ-940	56-62	Air horn gasket, 1x4 AFB & WCFB.....	3.99
CZ-940A	56-61	Air horn gasket, 2x4 WCFB.....	ea 5.59
AC-174	55-62	Carburetor to air cleaner stud, 1x4 except 62 300-340 hp w/wing nut.....	6.99
AC-175	56-57	Carburetor to air cleaner studs w/wing nuts, 2x4.....	13.99
AC-176	58-61	Carburetor to air cleaner studs w/wing nuts, 2x4.....	9.99
AC-42	62	Carburetor to air cleaner stud, 300-340 hp.....	7.99
ZAC-34	53-62	Wing nut, "forged type".....	3.99



AC-174

AC-175

AC-176

AC-42

CZ-940



60-62 1x4 Air Cleaner



AC-16

## Intake Manifold & Thermostat

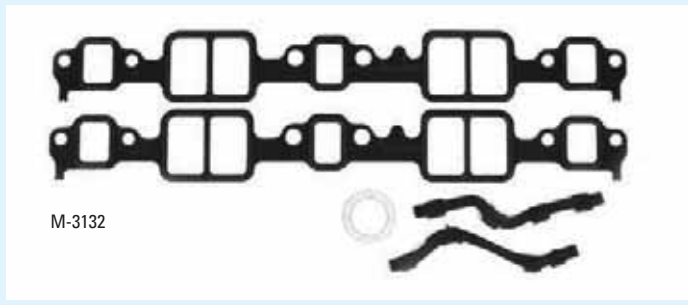
### Intake Manifold

BL-202	55-62	Intake manifold bolts, "M" head (12) .....	18.99
BL-100	55-60	Intake manifold bolts, "AP" head (12) .....	15.99
BL-458	61-62	Intake manifold bolts & stud kit, includes (11) "AP" head bolts & (1) stud.....	20.99
BL-459	55-62	Intake manifold bolt washers, helps protect aluminum intake manifold from bolt head, not originally used by GM (12).....	5.99
SF-718	55-62	Intake manifold underpan rivet set (5).....	4.49

### Intake Manifold Gaskets

Made from correct dark-colored "Korematal" material. Gaskets feature original "round tab" ends not found on aftermarket gaskets. M-3131 fuel injection set includes block-off plates for heat riser passage.

M-3132	57-62	Intake gasket set, carburetor .....	35.99
M-3131	57-62	Intake gasket set, F.I. ....	40.99
M-3620	57-62	Intake manifold heat riser block-off plates .....	11.99



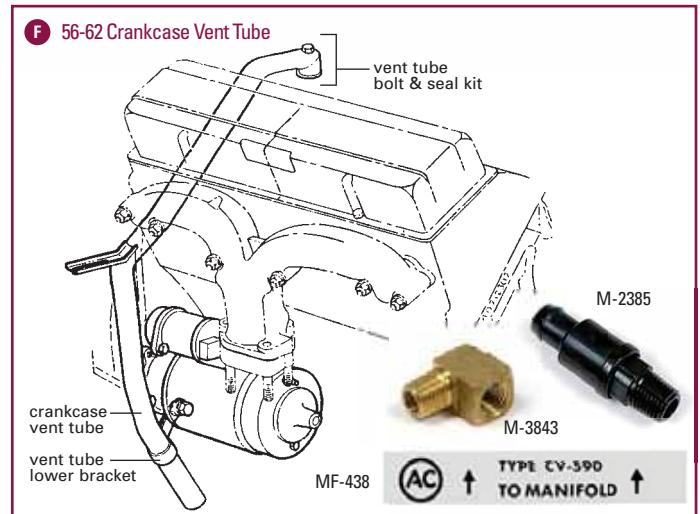
### Thermostat Housing

M-196	56-62	Thermostat, 180° .....	9.99
M-3476	56-62	Thermostat, 160° .....	9.99
M-3026	55-62	Thermostat housing, cast iron, 230, 250, & 300 hp, #3711268.....	99.99
M-2366	56-62	Thermostat housing, cast aluminum, 56-61 2x4, 57-62 F.I. & 62 340 hp, #3837223 .....	76.99
BL-362	55-62	Thermostat housing bolts, cast iron housing "TR" head.....	6.99
BL-222	56-62	Thermostat housing studs w/nuts, aluminum housing (4 pcs)...	7.99
M-2794	53-62	Thermostat housing gasket .....	1.99



## Crankcase Vent Tube

M-2951	56-58E	Crankcase vent tube (road draft) (F).....	109.99
M-154	58L-62	Crankcase vent tube (road draft) (F).....	109.99
M-166A	56-62	Crankcase vent tube bolt & seal kit (F).....	5.59
M-166	56-62	Crankcase vent tube lower bracket (F) .....	15.99



### PCV Valve

M-2385	62	PCV valve, CV-590, CA closed system .....	36.99
M-3842	62	PCV valve carburetor straight adapter fitting .....	6.69
M-3843	62	PCV valve 90° fitting .....	6.69
MF-438	62	PCV valve tag, CV-590.....	5.59

### Temperature Sender

M-3517	56	Temperature sender, mounts in engine .....	25.99
M-3511	57-62	Temperature sender, mounts in engine .....	22.99

Note: Zip's '56-62 temperature senders are calibrated correctly and include "AC-Delco - Made in USA" markings.

E-1152	56	Temperature wire repair kit .....	13.99
E-1153	57-62	Temperature wire repair kit .....	13.99

Note: Temperature wire repair kits include correct color wire, asphalt loom, connector and terminal. Pre-assembled.

ZM-146	56-62	Temperature wire insulation only .....	3.99
M-3134	56-60E	Temperature wire valve cover clips (2) .....	10.99

Note: Early valve cover clips were used until March of '60.

M-239	60L-62	Temperature wire valve cover clips (2) .....	7.99
-------	--------	--	------





# Generator

## Generator Mount

M-2676	55-57	Adjusting brace (G) .....	39.99
M-138	58-62	Adjusting brace (H) .....	26.99
M-157	58-62	Adjusting brace water pump stud (H).....	15.99
M-2244	58-62	Adjusting brace to generator bolt, "WB" head (H).....	2.99
M-122	56-57	Generator heat shield (G).....	20.99
M-136	58-60	Generator heat shield .....	19.99
M-3431	55-57	Generator mount bracket (6 9/16") (G) .....	39.99
BL-612	56-57	Generator mount bracket to manifold bolts (2) .....	5.59
M-3791	58-59E	Generator mount bracket, w/F.I. (7 1/8").....	39.99
M-105	58-62	Generator mount bracket, w/F.I. solid mount. (7 1/8").....	39.99
M-104	58-61	Generator mount bracket, w/o F.I. (6 5/8") (H).....	39.99
M-2748	62	Generator mount bracket, w/o F.I. (7").....	39.99
M-102	58-62	Generator mount plate, 58-61 All & 62 w/F.I. (H).....	17.99
M-103	62	Generator mount plate, w/o F.I.....	17.99
BL-413	58-61	Generator mount plate & bracket to manifold hardware, "TR" headmark (10 pcs) (H).....	11.99
BL-551	62	Generator mount plate & bracket to manifold hardware, "TR" & "AP" headmarks (10 pcs).....	8.99
M-3044	56-62	Generator mount rubber bushings w/sleeves (2) (G)(H).....	8.99
M-3917	56-62	Generator mount bushing w/sleeve (restoration poly).....	12.99
BL-377	56-61	Generator pivot bolt kit, 56-57 All & 58-61 w/o F.I., "UR" headmark (6 pcs) (G)(H).....	6.69
BL-376	58-62	Generator pivot bolt kit, 58-61 w/F.I. & 62 All, "UR" headmark (6 pcs) (H).....	8.99



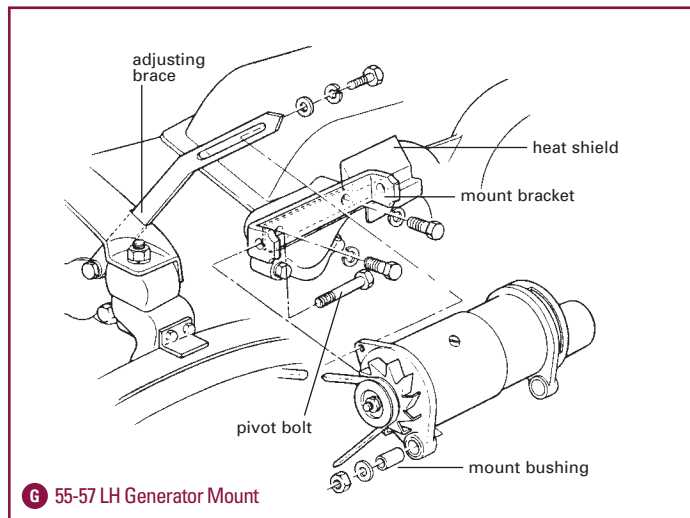
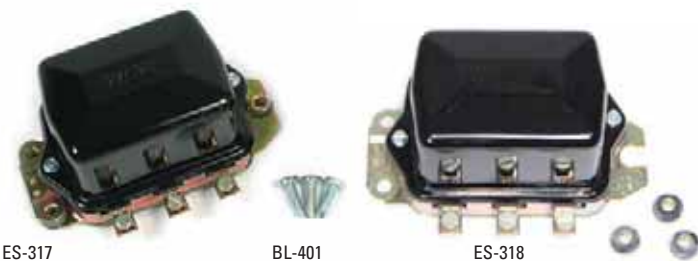
## Generator Pulley

M-2965	56-57	Generator pulley, 3 5/8" .....	129.99
M-2449	58-62	Generator pulley, 3 5/8" offset, All except F.I. & Hi-Lift cam.....	125.99
M-2448	58-62	Generator pulley, 4", F.I. w/Hi-Lift cam .....	125.99
M-3565	56-62	Generator pulley nut w/washer.....	7.49

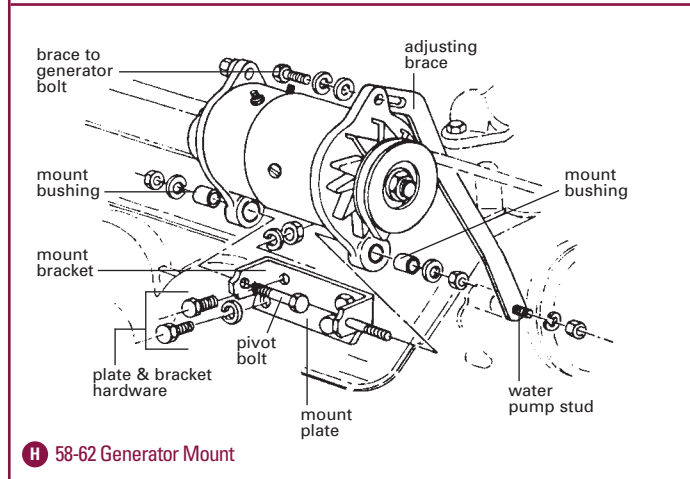


## Voltage Regulator

ES-317	55-61	Voltage regulator, new Delco .....	99.99
ES-569	55-61	Voltage regulator, new replacement .....	86.99
ES-318	62	Voltage regulator, new replacement .....	99.99
SF-693	56-57	Voltage regulator harness clips (2) .....	7.99
BL-401	56-62	Voltage regulator mount hardware (3 pcs) .....	3.99
ES-539	55-62	Voltage regulator capacitor #01917580 .....	21.99



G 55-57 LH Generator Mount



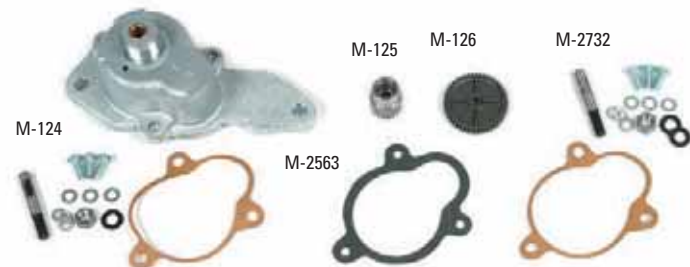
H 58-62 Generator Mount

## Generator ID Tag, Capacitor & Oil Cap

ES-538	55-62	Generator capacitor #0191109 .....	21.99
MF-265	53-62	Generator red circular tag .....	2.99
M-3562	53-62	Generator, starter & distributor Delco tag set, unstamped.....	14.99
M-3563	53-62	Generator tag rivet set (2).....	3.99
M-3928	55-62	Generator front oil cap.....	5.99
M-3929	55-62	Generator rear oil cap .....	8.49

## Tach Drive Unit

M-124	55-61	Tach drive unit, less gears .....	114.99
M-3478	55-61	Tach drive unit, complete w/housing, metal gear, nylon gear, repair shaft & mount screws .....	169.99
M-2563	55-61	Tach drive unit gasket .....	3.99
M-125	55-61	Tach drive unit gear, metal.....	22.99
M-126	55-61	Tach drive unit gear, nylon (improved).....	18.99
M-2732	55-61	Tach drive unit repair kit, includes shaft, gasket & hardware .....	30.99
M-3564	55-61	Tach drive unit to generator mount bolts (4 pcs).....	3.49





## Distributor & Ignition

### Distributor

M-199	62	Distributor, tach drive, single point w/vacuum advance, base motor.....	489.99
M-199H	62	Distributor, tach drive, single point w/vacuum advance, Hi-Perf.....	489.99
M-2341	55-62	Distributor base gasket.....	3.49
M-3996	56-60	Hold down, correct reproduction.....	17.99
M-3046	56-62	Hold down w/bolt, flat, replacement.....	10.99
M-2496	60-62	Hold down w/bolt, wire-style.....	14.99



### Rebuilt Tach Drive Distributor

Rebuild includes complete disassembly, installation of new housing bushings, line boring to original tolerances and re-assembly with new hardened mainshaft, lower gear, improved cross shaft gear and ignition points. Zip can even convert your Corvette's distributor to a full electronic ignition set-up using Pertronix's Ignitor III set-up.



S-143	62	Rebuilt distributor, base motor.....	379.99
S-144	62	Rebuilt distributor, Hi-perf.....	379.99
M-3933	62	Rebuilt distributor w/Pertronix III, base motor.....	469.99
M-3932	62	Rebuilt distributor w/Pertronix III, Hi-Perf.....	469.99

Note: Distributors sold on exchange. Add \$200 refundable core charge if rebuildable core does not accompany order.



### Dragon Fire Pro Series Electronic Distributor

Pro Series Distributor with mechanical tach drive, small enough to fit under the factory shielding. Features a magnetic pickup and module, use with an ignition coil - no need for an expensive ignition box. Includes HD springs for vacuum advance or lock the timing if you use fuel injection kit or programmable ignition. Includes wiring harness to connect to coil. Zip recommends a Flame-Thrower III ignition coil. Female cap allows for use of stock spark plug wires.

M-4312	55-62	Pro Series Electronic distributor, red.....	164.99
M-4311	55-62	Pro Series Electronic distributor, black.....	164.99

### 53-61 Distributor Rebuild

M-3600	58-61	Breaker plate ground wire only.....	8.99
M-180	55-61	Cap, 55-56 & 58-61 2x4.....	18.99
M-3442	57-61	Cap, single window, replacement.....	22.99
M-3709	57-61	Cap, 1x4, "Delco Remy" repro w/aluminum contacts.....	49.99
M-3935	56-61	Cap hold down clip, 2x4 (2 per car).....	ea 6.69
M-1136	57-61	Condenser, 1x4, inside distributor.....	9.99
M-2345	55-61	Condenser, 56-61 2x4, 55-56 1x4.....	11.99
SF-560	55-61	Condenser screw & washer.....	1.49
E-830	53-55	Distributor to coil lead wire, 6-cylinder.....	12.99
M-2340	55-61	Distributor to coil lead wire, 8-cylinder.....	10.99
M-3601	56-61	Distributor to coil lead wire grommet.....	3.99
M-3330	56-61	Distributor oil fill tube, includes cap & wick, 2x4.....	41.99
M-3929	56-61	Distributor oil fill tube cap only.....	8.49
M-4221	53-55	Mainshaft, 6-cylinder.....	144.99
M-4222	56-61	Mainshaft, 1x4.....	144.99
M-4223	58-61	Mainshaft, 2x4.....	144.99
M-3604	56-61	Mainshaft felt seal.....	2.99
M-3603	56-61	Mainshaft top rubber sleeve.....	2.99
M-4023	56-61	Mainshaft plastic seal.....	5.99
M-2347	55-61	Main drive gear w/washer & pin (on bottom).....	22.99
M-3605	55-61	Main drive gear attaching roll pin.....	.99
M-2344	55-61	Points, 55-56 1x4, 56-61 2x4 (2 required for 2x4 cars).....	ea 22.99
M-1134	57-61	Points, 1x4.....	24.99
SF-561	56-61	Points attaching screws (2).....	1.99
M-2343	55-61	Rotor, 55-56 1x4, 56-61 2x4.....	10.99
M-1135	57-61	Rotor, 1x4, reproduction w/copper tips.....	13.99
M-2350	56-61	Small parts kit, includes points screws, condenser screw, advance screws, breaker plate retention spring, felt washer, plastic seal, main drive gear pin & lead wire grommet.....	12.99
M-2342	59-61	Vacuum advance control.....	24.99
CZ-1126	53-54	Vacuum advance line.....	34.99
CZ-1125	55	Vacuum advance line.....	34.99
SF-562	59-61	Vacuum advance mount hardware (4 pcs).....	1.49
M-3606	59-61	Vacuum advance spring & weight kit, includes new weights & springs.....	15.99



### Identification

M-3183	57-62	Identification band, specify year, engine & date needed (ND).....	34.99
MG-186	57-62	Identification band red dye.....	8.99
M-3184	53-61	Identification tag, black, specify engine & VIN number (ND).....	45.99
M-3562	53-62	Identification tag set, distributor, generator & starter, unstamped (set of 3).....	14.99
M-3563	53-61	Identification tag rivets (2).....	3.99

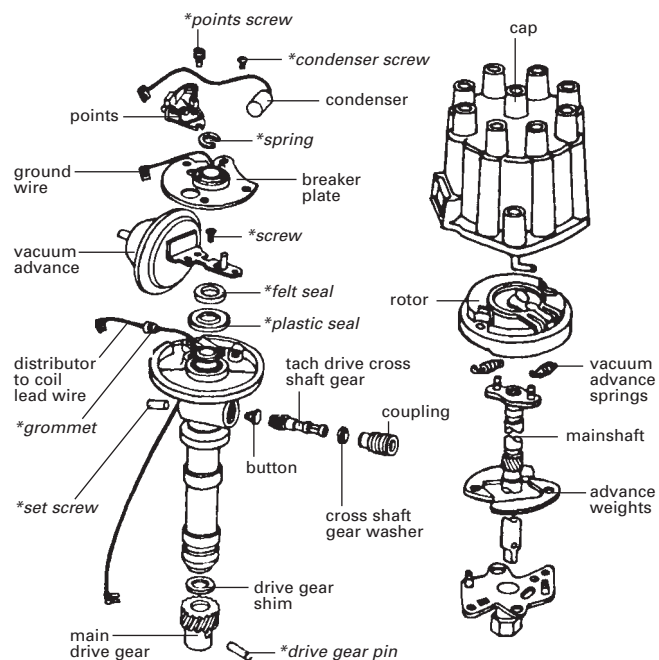
See page 30 for ignition upgrades including hi-performance coils and electronic distributor conversion kits.

### Dragon Fire HEI Tach Drive Distributor

Keep your factory tach - and get the performance of no-points High Energy Ignition. Features 65kV mega coil, adjustable vacuum advance canister, high quality bronze bushing, corrosion resistant shaft and high-quality brass terminals. Note: will not fit under factory shielding. Red cap/aluminum housing or black cap/black housing. Requires 13.7 volts. Pigtail connects HEI coil to harness.

M-3790	62	HEI tach drive distributor, red.....	129.99
M-4310	62	HEI tach drive distributor, black.....	198.99
E-1115	62	HEI coil wiring harness pigtail.....	12.49

## 1 62 Tach Drive Distributor



Visit us online: [www.zip-corvette.com/eng3](http://www.zip-corvette.com/eng3)  
Replacing the tach drive gear and coupling



## Gear Replacement Kit

Corvettes are known for stripping tach drive cross shaft gears. Kit includes improved tach gear, plastic button, washer and brass coupler. Stainless Dura-Last coupler/gear kit includes "roller" bearing to eliminate potential wear.



M-4069	62	Tach drive gear replacement kit.....	52.99
M-4216	62	Dura-Last stainless gear, coupler & bearing kit .....	84.99

## Distributor Rebuild

Over time, the mainshaft wears the soft brass bushings in the distributor housing and begins to "wobble" – the likely culprit behind persistent drive gear problems. Fresh upper and lower bushings will have your distributor performing like new.



M-3444	62	Mainshaft lower bushing.....	12.99
M-3443	62	Mainshaft upper bushing.....	12.99
M-253	62	Mainshaft bushing installation tool .....	9.99

## 62 Tach Drive Distributor Rebuild

M-3202	62	Breaker plate w/ground wire (I).....	34.99
M-3600	62	Breaker plate ground wire only (I) .....	8.99
M-3442	62	Cap, single window, replacement (I) .....	22.99
M-3709	62	Cap, "Delco Remy" repro w/aluminum contacts.....	49.99
M-1136	62	Condenser, inside distributor (I).....	9.99
SF-560	62	Condenser screw & washer.....	1.49
M-2340	62	Distributor to coil lead wire (I).....	10.99
M-3601	62	Distributor to coil lead wire grommet .....	3.99
M-216	62	Mainshaft, base motor (I).....	64.99
M-2984	62	Mainshaft, Hi-Perf (I).....	64.99
M-4056	62	Mainshaft cam (I).....	34.99
M-3602	62	Mainshaft cam lubricating wick & retainer .....	10.99
M-3604	62	Mainshaft felt seal .....	2.99
M-4023	62	Mainshaft plastic seal (I).....	5.99
M-2347	62	Main drive gear w/washer & pin (on bottom) (I).....	22.99
M-3605	62	Main drive gear attaching roll pin .....	.99
M-2351	62	Main drive gear shim pack (6 pcs) (I).....	7.99
M-1134	62	Points (I).....	24.99
SF-561	62	Points attaching screws (2).....	1.99
M-1135	62	Rotor, reproduction w/copper tips (I).....	13.99
M-2350	62	Small parts kit, includes points screws, condenser screw, advance screws, breaker plate retention spring, felt washer, plastic seal, main drive gear pin & lead wire grommet (I).....	12.99
M-3448	62	Tach drive cross shaft gear (improved) (I).....	34.99
M-3447	62	Tach drive cross shaft gear washer (I).....	2.49
M-2544	62	Tach drive cross shaft gear button, plastic (I).....	2.49
M-215	62	Tach drive cross shaft gear coupling, brass (I).....	19.99
M-2342	62	Vacuum advance control, base motor (I).....	24.99
M-2352	62	Vacuum advance control, Hi-Perf (I).....	24.99
SF-562	62	Vacuum advance mount hardware (4 pcs).....	1.49
M-3606	62	Vacuum advance spring & weight kit, includes new weights & springs.....	15.99
CZ-1153	62	Vacuum stud, carburetor mount, 2 3/16".....	10.99
CZ-1154	62	Vacuum stud, 300 hp carburetor mount, 2 1/2".....	10.99



## 62 Tach Drive Upgrades

M-1112	62	Tach drive gear set screw, eliminates excessive end play.....	.99
TL-101	62	Set screw tap guide insert tool .....	9.99
TL-102	62	Set screw threaded drill guide .....	12.99
M-2782	62	Tach cable adapter, 90° w/grease fittings (prevents broken cable) .....	44.99



## Ignition Coil & Ballast Resistor

M-2338	56-62	Ignition coil, replacement .....	29.99
ES-540	56-59E	Ignition coil capacitor #01929070.....	21.99
E-484	59L-62	Ignition coil capacitor #01947452.....	21.99
M-3471	55-62	Ballast resistor w/black dot.....	29.99
SF-640	55-60	Ballast resistor screw, clutch head.....	ea 3.99
SF-357	61-62	Ballast resistor screw, phillips head.....	ea 1.49
IS-378	57-62	Coil bracket, F.I. ....	17.99
M-2605	57-62	Coil bracket bolts, F.I., "Anchor" headmark (2).....	4.99
IS-114	56-57	Coil/distributor shield RH bracket, "figure 8" shaped.....	104.99
IS-107	56-62	Coil/distributor shield RH bracket (J) .....	29.99
SF-419	56-62	Coil bracket pinch screw & washer .....	1.99



Visit us online: [www.zip-corvette.com/eng5](http://www.zip-corvette.com/eng5)  
How to replace an ignition coil



## Correct Part Number Coil

New reproduction coils licensed by GM. Embossed with original part number and features Delco Remy logo on tower. For NCRS or Bloomington judging, call your Zip sales salesperson for information.



M-3440	56-62	Ignition coil #1115107.....	89.99
M-3117	56-62	Ignition coil #1115091.....	89.99

## Ignition Rebuild Kit

Includes new distributor cap, single points, rotor, condenser and Packard spark plug wires. Does not fit fuel injection Corvettes.

M-3019	57-62	Ignition rebuild kit.....	119.99
--------	-------	---------------------------	--------



Visit us online: [www.zip-corvette.com/eng4](http://www.zip-corvette.com/eng4)  
How to convert to an Pertronix electronic ignition



## Ignitor Electronic Ignition

Enjoy the benefits of High Energy ignition while keeping your Corvette "all-original" underhood – all components fit inside the distributor cap for a truly stealth install. Ignitor replaces points and condenser with an electronic module for quick starts, better fuel economy, longer plug life and more horsepower. Ignitor II senses coil current and adjusts dwell up-down using a micro controller. The result? Constant peak energy over the entire rpm range. Ignitor III delivers "box ignition" performance – without the box! Five times more spark energy than points, plus a user-set rev limiter. All kits are compatible with stock coil, or for more juice add a Flame-Thrower™ coil and matching plug wires at same time. See expanded descriptions of Ignitor components online at [www.zip-corvette.com](http://www.zip-corvette.com).

E-794	56-61	Ignitor conversion kit, w/dual points.....	119.99
E-540	57-62	Ignitor conversion kit, single points.....	89.99
E-824	56-61	Ignitor II conversion kit, w/dual points.....	164.99
E-823	57-62	Ignitor II conversion kit, single point.....	127.99
E-1108	57-62	Ignitor III conversion kit, single points.....	149.99



## Flame-Thrower Ignition Coil

The Flame Thrower Coil by Pertronix is the perfect coil to go with an Ignitor breakerless ignition. Gain even more performance with 40,000 volts; allowing for larger spark plug gaps, smoother response and added fuel economy.

**Flame-Thrower II** - Designed for the Ignitor II ignition conversion. Low resistance of 0.6 Ohm and improved turns ratio provides even more performance - 45,000 volts.

**Flame-Thrower III** - Designed for the Ignitor III ignition conversion. Low resistance of 0.32 Ohm and improved turns ratio provides even more performance - 45,000 volts while charging faster at high RPMs. Rapid charge time means maximum spark energy sustained.

Oil filled coils offer great heat control for street driven Corvettes, epoxy filled provides superior winding support for high vibration environments. Available in black or chrome.

## Flame-Thrower Ignition Coil

E-578	56-62	Flame-Thrower coil (epoxy).....	49.99
E-1204	56-62	Flame-Thrower coil (oil) .....	38.99
E-1205	56-62	Flame-Thrower chrome coil (oil).....	42.99
E-1208	56-62	Flame-Thrower II coil (epoxy).....	54.99
E-1207	56-62	Flame-Thrower II coil (oil).....	44.99
E-1206	56-62	Flame-Thrower II coil, chrome (oil).....	47.99
E-1209	56-62	Flame-Thrower III coil .....	45.99
E-1210	56-62	Flame-Thrower III coil, chrome .....	56.99



## Spark Plugs & Wires

### AC-Delco Fire Ring Spark Plugs

New reproduction AC-Delco plugs with correct green stripes and dimples as original. "S" plugs feature extended tip for use with base motor applications. Set of 8 in reproduction Fire Ring boxes.

M-4003	57-62	Spark plugs, #43 reproduction.....	59.99
M-4064	57-62	Spark plugs, #43S reproduction.....	59.99
M-4004	57-62	Spark plugs, #44 reproduction.....	59.99
M-4065	57-62	Spark plugs, #44S reproduction.....	59.99
M-4002	57-62	Spark plugs, #45 reproduction.....	59.99
M-4066	57-62	Spark plugs, #45S reproduction.....	59.99



### AC-Delco Spark Plugs

Insist on the best – genuine AC-Delco. Current production plugs are designed expressly for Corvettes to minimize radio interference. Order by application or check owner's manual for correct number. Sold each.

M-2999	53-55	Spark plug (R43).....	2.99
M-3004	56-61	Spark plug (R43S).....	2.99
M-3001	62	Spark plug, base motor (R45S).....	2.99
M-2999	62	Spark plug, Hi-Perf (R43).....	2.99



### Packard Spark Plug Wires

Built from original Packard Industries tooling, correct-length replacement wires feature correct Delcore II composition, authentic boots, 250 ohms resistance and stainless steel terminals. Made in the USA. Car set.

M-3907	57-62	Spark plug wires.....	54.99
--------	-------	-----------------------	-------



### Spark Plug Wire Grommets & Clips

IS-231	56-62	Spark plug wire to block clip.....	ea 2.99
IS-232	56-62	Spark plug wire to oil pan clip.....	ea 3.99
IS-109	56-62	Spark plug wire grommet, 4-wire inline.....	ea 1.99

## Reproduction Spark Plug Wires

OE-style wires include correct script and date code and correct spark plug end boots. '61-Late-62 wires are dated 1st or 3rd quarter; specify year of car and VIN number. Car set.

E-872	53-55	Spark plug wires, 6-cylinder.....	55.99
E-858	55	Spark plug wires, V8 (braided).....	169.99
E-552	56-57	Spark plug wires, carburetor.....	74.99
E-558	57	Spark plug wires, F.I.....	74.99
E-559	58	Spark plug wires, carburetor.....	74.99
E-553	58	Spark plug wires, F.I.....	74.99
E-560	59-61E	Spark plug wires, All.....	74.99
E-554	61L-62	Spark plug wires, dated.....	74.99

Note: Refer to chart below for recommended dating for '61-62. Serial numbers shown are the last five digits of the serial/VIN number – which corresponds to the assembly line build sequence.

Year	Serial#	Date Code
1961	00001 thru 05966	not dated
	05967 thru 10939	1-Q-61
1962	00001 thru 07585	3-Q-61
	07586 thru 14531	1-Q-62



### Flame-Thrower Spark Plug Wires

Pertronix Flame-Thrower spark plug wires provide yet another improvement for your Corvette's ignition system. Silicone jacketed wire sets feature rubber inner insulation for superior heat resistance with few arcing and voltage leaks. Fiberglass reinforced braid adds strength yet maintains flexibility. Low 500ohm per foot resistance. 7mm designed for small block applications.

M-3457	57-62	Flame-Thrower 7mm spark plug wires, 283/327.....	54.99
--------	-------	--	-------



### Dragon Fire Sport Spark Plug Wires

Dragon Fire Universal "Cut to Fit" 8.5mm spark plug wires with either 90° angle or 180° straight end boots. Designed to fit all Corvette applications including both HEI style (male) or factory style (female) distributor caps. 150 ohms per foot is possible with these spiral wound Kevlar core silicone jackets wires. Brass Terminals. Available in red, black or with hi-temp ceramic boots in black. Car set.

M-4304	55-62	Dragon Fire Sport spark plug wires, 90° (red or black).....	54.99
M-4305	55-62	Dragon Fire Sport spark plug wires, 180° (red or black).....	54.99
M-4306	55-62	Dragon Fire Sport spark plug wires w/ceramic boots, 90°.....	104.99
M-4307	55-62	Dragon Fire Sport spark plug wires w/ceramic boots, 180°.....	104.99



## Ignition Shielding

### Distributor Top Shield

IS-101	56-60	Distributor shield, 1x4 & 2x4 (J)	239.99
IS-113	61	Distributor shield, 1x4 & 2x4 (J)	239.99
IS-363	62	Distributor shield, 1x4 (J)	249.99
IS-100	57-62	Distributor shield, F.I., specify year	279.99
IS-362	56-61	Distributor shield bolt, "L" headmark (3 per car) (J)	ea 1.99
IS-419	56-61	Distributor shield bolt, chrome (correct) (3 per car) (J)	ea 16.99
IS-117	62	Distributor shield bolt, "E" headmark (3 per car) (J)	ea 1.99



### Distributor Top Shield & Coil Bracket

IS-378	57-62	Coil bracket, F.I.	17.99
M-2605	57-62	Coil bracket bolts, F.I., "Anchor" headmark (2)	4.99
SF-419	56-62	Coil bracket pinch screw & washer	1.99
IS-110	56-62	Distributor shield LH bracket (J)	27.99
IS-114	56-57	Distributor shield RH/coil bracket, "figure 8" shaped	104.99
IS-107	56-62	Distributor shield RH/coil bracket (J)	29.99
IS-322	57-62	Distributor shield RH bracket, F.I. only	27.99

### Vertical Shields

IS-102	56-59	Vertical shield, LH (stamped steel) (J)	46.99
IS-103	60-62	Vertical shield, LH (stainless) (J)	32.99
IS-418	56-62	Vertical shield LH lower bracket (J)	14.99
IS-104	56-62	Vertical shield, RH, includes J-nut (J)	79.99
IS-388	62	Vertical shield RH lower bracket, 4-wire mount on one side	16.99
IS-387	56-62	Vertical shield J-nut only (J)	1.99

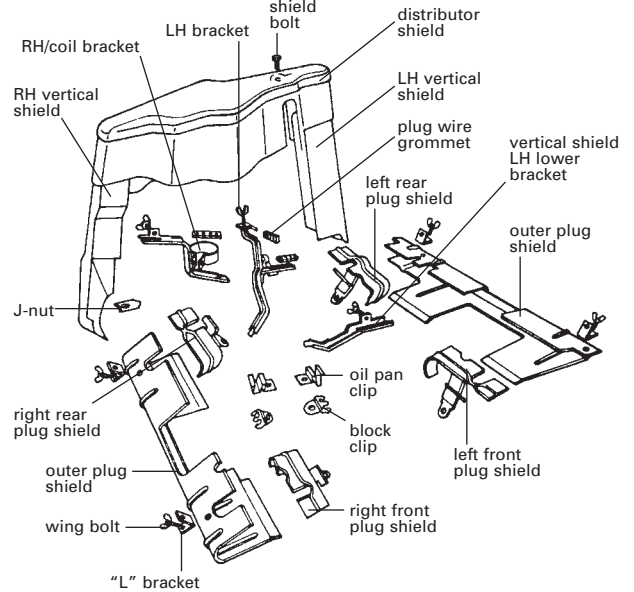
## Ignition Shielding Kit

Complete set including distributor top shield, vertical shields, outer plug shields, brackets, grommets and wing bolts.

IS-333	56-59	Ignition shield set, w/o F.I.	559.99
IS-334	60	Ignition shield set, w/o F.I.	549.99
IS-335	61	Ignition shield set, w/o F.I.	549.99
IS-336	62	Ignition shield set, w/o F.I.	549.99
IS-375	57-62	Ignition shield set, w/F.I., specify year	579.99



### J 56-62 Ignition Shielding



### Plug Shields

IS-220	56-62	Inner plug shield, left front (J)	10.99
IS-221	56-62	Inner plug shield, left rear (J)	10.99
IS-221	56-62	Inner plug shield, right front (J)	10.99
IS-220	56-62	Inner plug shield, right rear (J)	10.99
IS-381	56-62	Inner plug shield set (4) (J)	29.99
BL-536	56-62	Inner plug shield mount bolt, "L" headmark	ea 1.49
IS-118	56-61	Outer plug shields (pair) (J)	124.99
IS-119	62	Outer plug shields (pair) (J)	124.99
IS-106	56-62	Outer plug shield "L" bracket (4 per car) (J)	ea 5.59
IS-116	56-57	Lower plug wire "boomerang" shields w/grommets installed (car set)	35.99
IS-389	56-57	Lower plug wire shield grommet set (8)	7.99



### Plug Wire Clips, Grommets & Wing Bolts

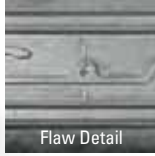
IS-231	56-62	Plug wire to block clip (J)	ea 2.99
IS-232	56-62	Plug wire to oil pan clip (J)	ea 3.99
IS-109	56-62	Plug wire grommet, 4-wire inline (J)	ea 1.99
IS-108	56-62	Wing bolt, correct "ear" shape, chrome (J)	ea 1.99
IS-421	56-62	Wing bolts, correct "ear" shape, chrome (4) (J)	6.99
IS-390	56-62	Wing bolt lock washers (4), for use on lower shields	1.99





## Valve Covers

M-161	56-59E	Aluminum valve cover.....	ea	79.99
M-162	59L-62	Aluminum valve cover, GM casting w/casting flaw.....	ea	85.99
<i>Note: '56-59E aluminum valve cover has staggered holes. M-162 is a current GM production cover that includes the casting flaw.</i>				
VC-309	59L-62	Aluminum valve cover, high quality reproduction w/o casting flaw (ND).....	ea	169.99
VC-323	59L-61	Steel valve covers, "Chevrolet" (2).....		159.99
VC-308	62	Steel valve covers, replacement, painted orange (2).....		119.99
VC-307	62	Steel valve covers, replacement, chrome (2).....		139.99



## Valve Cover Mount

ZMFB-75	56-59E	Aluminum cover bolts, phillips head (8).....	4.99
ZMFB-76	59L-62	Aluminum cover bolts, phillips head (8).....	4.99
ZMFB-78	55-62	Steel cover bolts, phillips head (8).....	4.99
MFB-87	55-62	Steel cover bolt reinforcements (8).....	8.99
ZM-3144	56-59E	Valve cover gaskets, cork (2).....	18.99
ZM-162A	59L-62	Valve cover gaskets, cork (2).....	12.99
M-3250	59L-62	Valve cover gaskets, rubber (2).....	19.99



## Valve Cover Decals

MF-101	56-61	Valve cover decals, 245 hp (2).....	6.69
MF-105	57	Valve cover decals, 283 hp (2).....	6.69
MF-102	57-59	Valve cover decals, 250 hp (2).....	6.69
MF-103	57-61	Valve cover decals, 270 hp (2).....	6.69
MF-100	58-61	Valve cover decals, 230 hp (2).....	6.69
MF-114	58-62	Valve cover decals, 290 hp (2).....	5.99
MF-104	59-61	Valve cover decals, 275 hp (2).....	6.69
MF-106	60-61	Valve cover decals, 315 hp (2).....	6.69
MF-109	62	Valve cover decals, 340 hp (2).....	6.69
MF-110	62	Valve cover decals, 360 hp (2).....	6.69
MF-107	62	Valve cover decals, 250 hp (2).....	6.69
MF-108	62	Valve cover decals, 300 hp (2).....	6.69
MF-116	62	Valve cover embossed emblems, 327 Turbo-Fire (2).....	12.99



## Camshaft & Lifters

All camshafts meet original Corvette specifications.

EN-143	57-62	Camshaft, solid lifters "097" design, 57-61 270, 283, 290, 315hp & 62 340 & 360hp.....	209.99
EN-142	57-62	Camshaft, hydraulic lifters.....	89.99
EN-151	57-62	Hydraulic valve lifter set (16).....	99.99
EN-152	57-62	Solid valve lifter set (16).....	89.99
EN-100	59-62	Engine gasket set, full engine set.....	89.99

*Note: Full engine gasket set includes head, timing cover, oil pan, water pump, fuel pump, thermostat, distributor, oil pan drain, intake manifold, exhaust manifold and oil pump shaft retainer gaskets, valve stem seals and rear main bearing.*

TC-100	55-62	Engine gasket set, includes timing cover, balancer oil seal, lower seal, thermostat, water pump & fuel pump seals.....	15.99
EN-163	55-58	Rear main seal, 2-piece design, replaces rope seal.....	39.99



Camshafts are designed to factory OE specifications. Full specs including OE number, lift, duration, timing and center line degrees can be found at [www.zip-corvette.com](http://www.zip-corvette.com)

## Zip Resto Tip: Aluminum Valve Covers

With the valve covers removed from the engine, rinse them with water and spray with a degreasing solution such as Simple Green. Let the solution set for about 5 minutes and then scrub the covers with a firm-bristled brush to remove all traces of oil and grime. Thoroughly rinse and allow to dry completely before continuing. Once dry, lightly mist dull aluminum paint onto the covers with one or two passes. After applying the light coating, pour half a pint of lacquer thinner into a steel or glass container and spray the thinner with the aluminum paint. With a small brush (1/2" recommended) in hand, wet the brush in the thinner/paint solution and brush the covers. Work the surface until the desired look is reached. The thinner will evaporate and the paint will be left in the pores of the aluminum, making your valve covers look new again. If the covers look as if they have been painted, then too much paint was applied and you will need to brush-on more lacquer thinner. If oily stains can be seen, reapply a heavier coating of aluminum paint and continue with the application steps.



## Timing Chain & Harmonic Balancer

### Harmonic Balancer

M-3568	55-56	Harmonic balancer w/riveted pulley, fits 55, 56 210, & 225 hp, reconditioned.....	189.99
M-3699	56-57	Harmonic balancer w/riveted deep groove pulley .....	Call
M-3997	57-61	Harmonic balancer, 57 283 hp, 58 All, 59-61 230, 245, 250 & 275 hp, reconditioned.....	219.99
M-2712	57-62	Harmonic balancer, 57 283 hp, 58 All, 59-61 230, 245, 250 & 275 hp, 62 250 & 300 hp, replacement.....	79.99
M-3196	59-61	Harmonic balancer, 270, 290 & 315 hp.....	279.99
M-3873	62	Harmonic balancer, 250 & 300 hp, reconditioned .....	199.99
M-2720	62	Harmonic balancer, 340 & 360 hp, reproduction w/correct fins .....	389.99
BL-601	62	Harmonic balancer bolt & washer, 327 .....	11.99
M-3571	55-58	Harmonic balancer oil slinger, mounts between timing gear & balancer spacer .....	17.99
M-2335	53-62	Harmonic balancer sleeve repair .....	10.99
M-131	55-62	Harmonic balancer spacer .....	8.99



M-3997



M-3196



M-2720



M-3873



BL-601



M-3571



M-131

### Harmonic Balancer Repair

Sleeve repairs groove worn in balancer by timing cover oil seal. Includes specially molded rubber cushions and rivets for rebuilding GM #3760584. Kit requires use of shop press capable of 8,000 lbs. and an air chisel for staking rivets.



M-3570

M-2335	53-62	Harmonic balancer sleeve .....	10.99
M-3570	58-62	Harmonic balancer rebuild kit, includes (2) rubber & (6) rivets, rebuilds GM #3760584.....	49.99

### Crankshaft Pulley

M-2967	57-58E	Crankshaft pulley, fits 57 283 hp & 58-Early (#991) .....	105.99
M-2444	58L-62	Crankshaft pulley, fits 58-Late, 59-61 All & 62 except 340 & 360 hp (#328) .....	119.99
M-2969	62	Crankshaft pulley, 340 & 360 hp w/idler pulley (#987) .....	159.99
M-2756	62	Crankshaft pulley, 340 & 360 hp w/idler pulley, replacement (#553) .....	59.99
BL-387	60-62	Crank pulley bolts, 283 & 327 "E" head (3 pcs).....	8.49
BL-463	60-62	Crank pulley bolts, 283 & 327 "S" head (3 pcs) .....	8.99



M-2967



M-2444



M-2969

### Timing Cover

TC-125	55-62	Timing cover, All except 62 340 & 360 hp .....	72.99
TC-124	62	Timing cover, 340 & 360 hp.....	72.99
TC-100	55-62	Timing cover gasket set, also includes oil seal, lower seal, thermostat, water pump & fuel pump seals.....	15.99
BL-323	55-61	Timing cover pan head screws (10) .....	6.99
BL-316	62	Timing cover bolt set, "L" headmark (12) .....	9.99
TC-122	55-62	Timing cover dowel pins (2) .....	2.99
TC-115	55-62	Timing cover replacement tab, All except 62 340 hp (6" balancer).....	12.99
TC-116	62	Timing cover replacement tab, 340 hp .....	12.99
M-2355	56-62	Timing chain & gear set.....	59.99



M-2355

### Idler Pulley

M-158	62	Idler pulley w/bracket, 340 & 360 hp .....	139.99
M-4273	62	Idler pulley replacement bearing .....	84.99
M-158B	62	Idler pulley mount stud & nut .....	15.99
BL-473	62	Idler pulley mount bolt & washer (2 pc) .....	1.99



M-158B

BL-473

M-158

### Fan Belt

FB-201	53	Generator belt, 6-cylinder (#3706006).....	30.99
FB-202	54-55	Generator belt, 6-cylinder (#3708991).....	30.99
FB-203	55	Generator belt, V8 (#3712555).....	35.99
FB-204	56-57	Generator belt, base motor (#3712555).....	35.99
FB-205	56-57	Generator belt, 2x4 & F.I. (#3738437) .....	35.99
FB-206	58E	Generator belt, carbureted (#3747873) .....	36.99
FB-207	58E	Generator belt, F.I. (#3750878).....	36.99
FB-208	58L-59E	Generator belt, carbureted (#3754906) .....	36.99
FB-209	58L-59E	Generator belt, F.I. (#3737976).....	36.99
<i>Note: '58-Late Corvettes were built after May '58; '59-Early were built prior to May '59.</i>			
FB-210	59L-60	Generator belt (#3759221).....	36.99
FB-445	61	Generator belt, STD camshaft (#3759221) (K).....	36.99
FB-211	62	Generator belt, STD camshaft (#3759221) (K).....	36.99
FB-212	61-62	Generator belt, Hi-Lift camshaft (#3779858) (K).....	36.99
FB-107	62	Idler belt, 340 & 360 hp (#3822612) .....	27.99

### Correct Fan Belts

If you're looking to gain valuable judging points or just want to keep your Corvette "all-original", Zip's OE-replica cloth-wrapped fan belts are the most authentic available. Feature correct molded-in part numbers and logos. Made in USA. GM licensed.



## Fan & Fan Clutch

M-3047	55-57E	Fan, correct.....	94.99
M-3048	57L-60	Fan, correct, flipped-end blade .....	94.99
M-2523	60	Fan, w/F.I., 5 blades (17 1/8" diameter) (K).....	109.99
M-2523	61-62	Fan, 5 blades (17 1/8" diameter) (K).....	109.99
BL-425	53-62	Fan to water pump bolts, "TR" headmark (8 pcs) .....	8.99
M-2795	60-62	Fan clutch, replacement, thermostatic (K).....	49.99
M-4329	60-62	Fan clutch, reproduction "Eaton" style (K).....	149.99
BL-423	60-62	Fan clutch to water pump bolts, "WB" headmark (8 pcs) .....	8.99
M-2600	60-62	Fan to clutch studs (4) (K).....	6.99
M-3579	60-62	Fan to clutch stud nut & washers (8 pcs) (K).....	1.99
M-3580	60-62	Fan to clutch stud installation tool, 5/16" x 24 .....	6.69



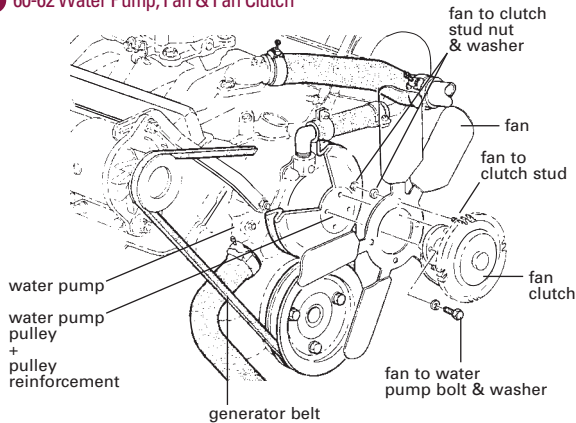
## Reproduction Fan Clutch

'60-62 Corvette fan clutch featuring original "bar" style thermostat. Modern internal design includes seals with greater leak resistance, ball bearings to for smooth operation at high RPM levels. Thermostatic design is engages at 165 degrees for cooling efficiency. Includes "CJ" stamp.



M-4031	60-62	Fan clutch.....	149.99
--------	-------	-----------------	--------

## K 60-62 Water Pump, Fan & Fan Clutch



## Fan Clutch Eliminator

Solid mount replacement for stock fan clutch. Prevents engine overheating due to insufficient airflow through the radiator – forcing the fan to always turn at the same speed as the engine. Includes hardware.

M-3781	60-62	Fan clutch eliminator .....	69.99
--------	-------	-----------------------------	-------



## Water Pump

### Water Pump

WP-100	56-62	Water pump, new replacement.....	69.99
WP-111	57-60	Water pump, rebuilt original casting w/part #493.....	159.99
WP-134	61-62	Water pump, new w/casting #3782609.....	269.99
BL-325	56-62	Water pump backplate pan screws (6).....	4.99
BL-337	55-57	Water pump mount bolts (4).....	8.99
BL-493	58-62	Water pump mount bolts & stud (4).....	15.99
M-157	58-62	Water pump/generator brace stud only .....	15.99
WP-138	58-62	Water pump shaft ceramic seal.....	9.99
ZWP-117	55-62	Water pump to engine & backplate cork gasket set.....	7.99



## Water Pump Rebuild Kit

Includes gaskets, bearing, shaft and hardware to rebuild OE pump plus a new backplate and pump impeller. Requires use of small shop press.

WP-148	56-62	Deluxe water pump rebuild kit .....	59.99
--------	-------	-------------------------------------	-------



Visit us online: [www.zip-corvette.com/eng7](http://www.zip-corvette.com/eng7)  
How to rebuild you Corvette's water pump



## Water Pump Fittings

M-100	61-62	Expansion tank hose fitting, 1/2" NPT – 90°.....	23.99
M-2685	55-57	Heater hose fitting, 20° curved, located on side, 3/8" NPT – 5/8" hose.....	17.99
M-101	58-62	Heater hose fitting, 20° curved, located on side, 1/2" NPT – 3/4" hose.....	18.99
M-3577	56-62	Fitting adapter – 1/2" to 3/8" NPT.....	8.49
M-3536	61-62	Fitting adapter – 3/4" to 1/2" NPT.....	9.99
M-3652	59-62	Heater delete plug, intake or water pump .....	ea 4.99

## Water Pump Pulley

M-2758	55-57	Water pump pulley, #955.....	49.99
M-2968	57-58E	Water pump pulley, #974.....	99.99
WP-105	58-62	Water pump pulley, #816 (K).....	119.99
M-2760	62	Water pump pulley, w/idler pulley, reproduction.....	339.99
M-4288	62	Water pump pulley, w/idler pulley, replacement.....	89.99
M-2460	58-62	Water pump pulley reinforcement (K).....	5.99

Note: Early production '58s with RH hood support used '56-58-Early-style crankshaft and water pump pulleys.



## Oil Pan, Filter & Dipstick

### Oil Filter

OP-122	56-62	Filter by-pass valve w/gasket.....	39.99
OP-125	56-62	Filter by-pass valve bolts (2).....	3.49
OP-145	56-62	Filter by-pass valve gasket.....	4.49
OP-117	56-57	Filter canister, w/silkscreen (PF-131).....	119.99
M-179	58-62	Filter canister, w/silkscreen (PF-141).....	105.99
M-3609	56-62	Filter canister gasket.....	4.99
OP-118	56-57	Filter canister element w/gasket (PF-131).....	12.99
M-179A	58-62	Filter canister element w/gasket (PF-141).....	12.99
MF-287	56-57	Filter canister silk screen decal.....	3.99
MF-288	58-62	Filter canister silk screen decal.....	3.99



### Oil Filter Conversion Kit

Dump that messy canister filter and spin on a standard PF-25 filter instead. Kit includes new bolts, spacer and gaskets. Must order filter and bypass valve separately.



OP-115	56-62	Oil filter conversion kit.....	38.99
--------	-------	--------------------------------	-------

### Oil Pan & Pump

OP-144	57-62	Pan, HD replacement w/LH dipstick, includes drain plug, w/o gaskets.....	89.99
OP-146	60-62	Pan baffle, cars w/solid lifters.....	38.99
OP-147	56-62	Pan drain plug, large head w/gasket.....	5.99
M-296	56-62	Pan drain plug, magnetic w/gasket.....	5.99
OP-149	56-62	Pan drain plug gasket, white plastic.....	1.99
OP-194	56-62	Pan drain plug gasket, metal/rubber.....	2.99
OP-113	57-62	Pan gasket set (GM issue).....	23.99
BL-318	56-62	Pan mount bolts, "L" & "E" headmarks (18).....	20.99
BL-322	56-61	Pan mount screws, pan head (14).....	8.99
OP-100	59-62	Oil pump, 283 & 327 w/hydraulic cam.....	36.99
OP-150	56-62	Oil pump to rear main cap attaching bolt.....	3.99
OP-151	56-62	Oil pump pick-up & screen.....	19.99



### Oil Cap & Fill Tube

M-4209	55-62	Cap, vented (polished stainless).....	39.99
M-3574	55	Cap, V8, black painted.....	32.99
M-2671	56-58	Cap, vented, hydraulic lifters, cad plated.....	36.99
M-1103	56-58	Cap, non-vented, solid lifters, cad plated.....	36.99
M-1104	59-61E	Cap, vented, hydraulic lifters, cad plated.....	52.99
M-1105	59-61E	Cap, non-vented, solid lifters, cad plated.....	52.99
M-1106	61L-62E	Cap, vented, hydraulic lifters, cad plated.....	52.99
M-1107	61L-62E	Cap, non-vented, solid lifters, cad plated.....	52.99

Note: '61-Early oil caps were used to approximately S/N 8000; '61-Late-62-Early caps were used to approximately S/N 2000 in '62.

M-1108	62	Cap, vented, hydraulic lifters, chrome.....	69.99
M-1109	62	Cap, non-vented, solid lifters, chrome.....	69.99
M-1133	56-62	Fill tube, argent (silver-green).....	22.99
MF-427	56-57	Oil cap decal, cleaning instructions.....	5.99
MF-286	58-61	Oil cap decal, cleaning instructions.....	3.99



### Oil Dipstick & Fill Tube

M-2230	56L-62	Dipstick, replacement.....	22.99
OP-188	56L-57	Dipstick, correct w/embossed - debossed blade, cad plated handle.....	64.99
OP-189	56L-62	Dipstick, correct w/embossed - debossed blade, black handle, "M" stamped on handle.....	44.99
M-4206	61-62	Dipstick, correct w/embossed - debossed blade, black handle, "W" stamped 1" below handle.....	64.99
M-1127	57-62	Dipstick upper tube.....	9.99
OP-177	57-62	Dipstick upper tube, chrome.....	11.99
M-3575	57-62	Dipstick lower guide tube, mounts into block.....	11.99



### Oil Pressure Line Kit

Small-diameter steel tube as original. Fits from block fitting to gauge. Exact duplicate with correct tapered brass fittings.

M-3576	53-55	Oil pressure line kit, 6-cylinder.....	17.99
M-3330	56-61	Oil line, 2x4 to distributor, includes wick & cap.....	41.99
Z-840	56-62	Oil pressure line kit (copper plated steel).....	15.99
Z-842	57-62	Oil pressure line kit, F.I., (5) fittings & line.....	35.99
OP-186	57	Oil pressure line only, F.I. (copper plated TBW).....	44.99
OP-187	58-62	Oil pressure line only, F.I. (copper plated TBW).....	39.99
M-2983	56-62	Block fitting.....	4.49

### ZDDPlus™ Oil Additive

Today's oils are largely missing the key ingredient critical to a flat tappet engine's survival: zinc dialkyl dithiophosphate (ZDDP). ZDDPlus additive creates a protective film on cam and lifter contact points to prevent premature - and often catastrophic - wear. One bottle per 5 quarts at every oil change ensures your Corvette has the right amounts of protective zinc and phosphorus in the oil.



M-3835	ZDDPlus oil additive, 4 oz.....	9.99
--------	---------------------------------	------

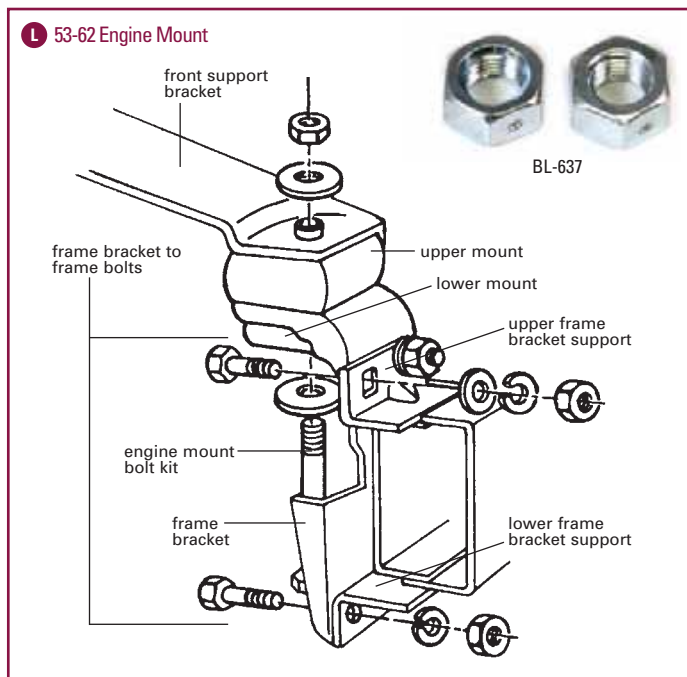


## Engine Mounts

WS-4516	53-62	Engine mounts, correct w/part number & casting line (car set) (L).....	49.99
BL-321	53-62	Engine mount bolt kit, "WB-2C" headmark, w/spacers & washers (car set) (L).....	16.99
BL-624	53-62	Engine mount bolt kit, "UR" headmark, w/spacers & washers (car set) (L).....	17.99
BL-637	53-62	Engine mount nuts w/dimple (not included w/engine mount bolts) (2).....	9.99
M-3180	55-58E	Engine mount front support bracket (L).....	Call
M-176	58L-60	Engine mount front support bracket (L).....	159.99
M-1100	61-62	Engine mount front support bracket (L).....	159.99

Note: '55-58-Early engine mount brackets do not have cut-out for freeze plug access; '58-Late-60 do have cut-out. '61-62 brackets have cut-out for water pump fitting. For cost savings, M-176 can be used as a replacement for '56-58E Corvettes.

M-3229	56-62	Engine mount frame brackets (2) (L).....	369.99
BL-436	56-62	Engine mount frame bracket to frame bolts, "TR" headmark (8 pcs) (L).....	12.99
M-3276	55-62	Engine mount frame bracket supports, includes (1) upper & (1) lower support, welds to frame (per side) (L).....	51.99



## Engine Mount Kit

Includes correct upper and lower engine mounts with part number and casting line, and correct "WB-2C" headmark mount bolts with hardware. Car set.

M-3567	53-62	Engine mount kit.....	59.99
--------	-------	-----------------------	-------



## Starter

### Remanufactured Starter

AC-Delco rebuilt units covered by a 1-year limited warranty. Sold outright with no core required.

M-2913	57-62	Starter, 57-61 All & 62 Manual.....	109.99
M-2912	62	Starter, Automatic.....	109.99



### Starter Mount & Solenoid

M-2735	57-62	Starter brace, 55-61 All & 62 Manual.....	13.99
M-2404	62	Starter brace, Automatic.....	13.99
M-3464	56-62	Starter bolt set (6 pcs).....	5.99
BL-380	53-62	Starter bolt shim kit (5).....	5.99
M-3261	55-62	Starter solenoid, replacement.....	39.99
M-3266	56-62	Starter solenoid nuts & lock washers (12 pcs).....	1.99
M-3562	53-62	Starter, generator & distributor Delco Remy tag set, unstamped (set of 3).....	14.99



## Starter Heat Shield

Wrap your Corvette's starter in this ceramic cloth-like insulation to help eliminate hard starts due to "heat soak" from the exhaust system. 7" x 24"; trim to exact length needed.



X-1701	Starter heat shield.....	27.99
--------	--------------------------	-------



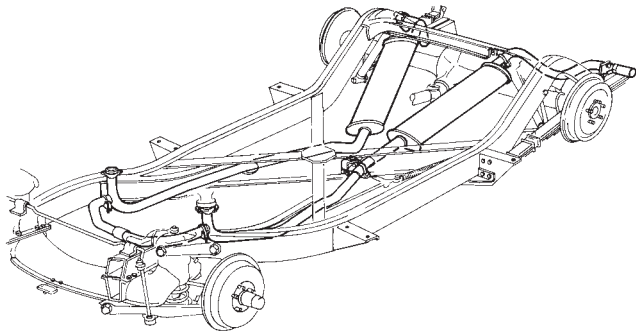
## Exhaust System

Complete, OE-spec exhaust system looks, fits and sounds like factory components. Includes pipes, mufflers, flanges, clamps, donut gaskets and sleeves as required. Precision fabricated of 14 gauge (.070) aluminized tubing for long life and exact fit. Oval and off-road mufflers feature welded header pipes. While you've got everything apart, Zip recommends replacing the exhaust hangers at the same time. Car set.

### Aluminized Pipes & Mufflers System

EX-2030	53-55	6-cylinder system w/mufflers .....	439.99
EX-2029	55	V8 system w/mufflers .....	439.99
EX-2382	56	3-bolt manifold w/off-road mufflers .....	409.99
EX-1001	56-58	283 Base motor w/off-road mufflers .....	409.99
EX-1002	56-58	283 Base motor w/oval mufflers .....	409.99
EX-1012	56-58	283 Hi-Perf w/oval mufflers .....	449.99
EX-1003	56-58	283 Hi-Perf w/off-road mufflers .....	449.99
EX-1004	59-60	283 Base motor w/oval mufflers .....	409.99
EX-1005	59-60	283 Hi-Perf w/oval mufflers .....	449.99
EX-1006	59-60	283 Hi-Perf w/off-road mufflers .....	449.99
EX-1007	61-62	283 & 327 Base motor w/oval mufflers .....	409.99
EX-1008	61	283 Hi-Perf w/oval mufflers .....	469.99
EX-1009	61	283 Hi-Perf w/off-road mufflers .....	469.99
EX-1010	62	327 Hi-Perf w/oval mufflers .....	469.99
EX-725	62	327 Hi-Perf (no crossover) w/oval mufflers .....	429.99
EX-1011	62	327 Hi-Perf w/off-road mufflers .....	469.99
EX-726	62	327 Hi-Perf (no crossover) w/off-road mufflers .....	429.99

### 56-61 Exhaust System



'56-62 base motor exhaust systems do not include front crossover pipe; Hi-Perf exhaust systems do include the crossover section between the front pipes. '62 Hi-perf systems are also available without the crossover pipe.

### Aluminized Pipes Only

EX-2020	56	3-bolt front exhaust pipes (2) .....	189.99
EX-2027	56-62	2" front exhaust pipes (2) .....	174.99
EX-2028	62	2 1/2" front exhaust pipes (2) .....	194.99
EX-2021	57-62	2" front exhaust pipes w/crossover (4 pcs) .....	224.99
EX-2023	62	2 1/2" front exhaust pipes w/crossover (4 pcs) .....	249.99
EX-2024	56-58	Exhaust tailpipe set (4 pcs) .....	109.99
EX-2025	59-60	Exhaust tailpipe set (4 pcs) .....	109.99
EX-2026	61-62	Exhaust tailpipes (2) .....	109.99

### Exhaust Pipe Cement

Seals front crossover pipe to exhaust pipe as original. Use on any exhaust connection for a leak-free installation.



EX-663	Exhaust pipe cement .....	8.99
--------	---------------------------	------

## Exhaust Hanger Kit

For best results, install your new exhaust using a Zip all-in-one hanger kit. EX-114 for '56-60 Corvettes includes EX-101 center hangers, EX-102 X-frame brackets and EX-105 muffler hangers. EX-115 for '61-62 includes EX-101 hangers, EX-102 brackets, EX-107 muffler hangers and EX-109 tailpipe hangers with frame mount brackets. Car set.

EX-114	56-60	Exhaust hanger kit, complete .....	152.99
EX-115	61-62	Exhaust hanger kit, complete .....	262.99

EX-114



### Mufflers

Original style Corvette mufflers with welded inlet and outlet pipes. Available in factory style "oval" or optional "off-road" round design. 14-gauge aluminized pipe and aluminized case for long life and consistent fit. Sold in pairs.

EX-665	53-55	Mufflers, 6-cylinder .....	234.99
EX-664	55	Mufflers, V8 .....	234.99
EX-123	56-62	Mufflers, oval design w/welded head extension pipe .....	249.99
EX-118	56-62	Mufflers, off-road round design .....	249.99





## Tight Tuck Performance Header

Perfect for the Vette Rod or stock application. Tight Tuck headers hug the side of your small block, allowing for clearance between the frame rails without interfering with stock engine mounts. 16-gauge metallic ceramic coated. Fits D-Port heads including ZZ4 and ZZ383 crate engines. Complete with gaskets and header bolts.

EX-992 53-62 Tight tuck headers.....**379.99**



## Generator Mount

Problem resolved! Mounts the C1 Corvette generator in the factory location when utilizing headers.

M-4137 56-62 Header style generator mount bracket, left side.....**36.99**  
M-4138 56-62 Header style generator mount bracket, right side.....**36.99**



## Magnaflow Mufflers

More power and the signature Magnaflow rumble for your Corvette! Magnaflow's aluminized, straight through design mufflers custom fitted for your C1 Corvette. Magnaflow performance mufflers don't include chambers, baffles or louvers to restrict exhaust flow; the result is improved performance, reduced backpressure, extended durability and a smooth exhaust tone that is sure to turn the heads. Sold in pairs. Designed to connect to factory exhaust pipes.

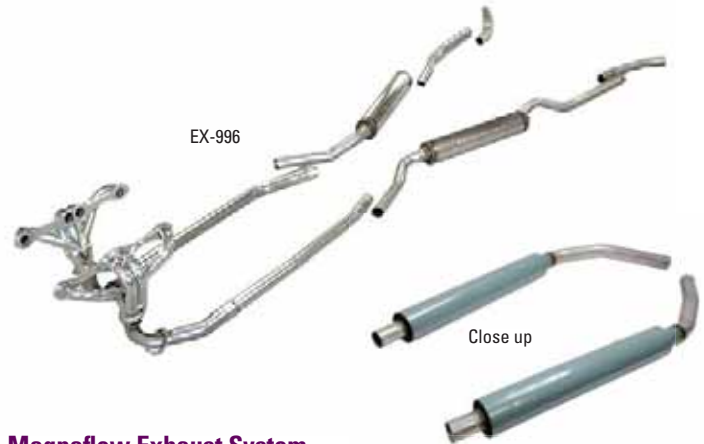
EX-2198 56-62 Magnaflow round mufflers .....**279.99**



## Header Exhaust System w/Performance Mufflers

For many enthusiasts, a trip to the custom exhaust shop is not an option. Now Do-It-Yourselfers can fully install a performance exhaust system with headers and performance mufflers. Perfect for those Corvette owner's looking for more power from their stock 283, 350 or GM Performance Parts ZZ series crate motor. Systems include "Tight-Tuck" metallic ceramic coated headers, Smithy round tube mufflers and 14-gauge aluminized front and tail pipes to complete installation.

EX-996 56-58 Tight Tuck Header exhaust system .....**789.99**  
EX-997 59-60 Tight Tuck Header exhaust system .....**789.99**  
EX-998 61-62 Tight Tuck Header exhaust system .....**789.99**



## Magnaflow Exhaust System

Factory style exhaust systems with the Magnaflow rumble. 14-gauge pipe sets in the factory configuration, but instead of the mild OE style mufflers, these systems feature the signature sound of Magnaflow mufflers. Includes pipes, mufflers, flanges, clamps and donut gaskets to complete installation. Zip recommends replacing the exhaust hangers while everything is apart. Car set.

EX-2199 56-58 Exhaust system w/Magnaflow mufflers, base .....**439.99**  
EX-2200 56-58 Exhaust system w/Magnaflow mufflers, Hi-perf.....**482.99**  
EX-2201 59-60 Exhaust system w/Magnaflow mufflers, base .....**439.99**  
EX-2202 59-60 Exhaust system w/Magnaflow mufflers, Hi-perf.....**482.99**  
EX-2203 61-62 Exhaust system w/Magnaflow mufflers, 2" base .....**439.99**  
EX-2204 61-62 Exhaust system w/Magnaflow mufflers, 2" Hi-perf .....**499.99**  
EX-2205 62 Exhaust system w/Magnaflow mufflers, 2 1/2" Hi-perf .....**499.99**  
EX-2206 62 Exhaust system w/Magnaflow mufflers, 2 1/2" (no crossover).....**459.99**

## Exhaust/Header Wrap

Common knowledge says heat is the enemy of power. Composite wrap reduces underhood temps up to 50% – plus promotes increased exhaust flow. Sold in 2"x 50' roll. Tan withstands 1200°F direct and 2000°F intermittent heat, titanium 1800°F/2500°F. Hi-Temp silicone spray coating penetrates to seal, protect and prolong the life of tan wrap. For HD titanium, "bare" (no spray) is recommended. 304 stainless steel ties secure wrap to pipes/collectors for a clean, finished look.



EX-2127 Exhaust/header wrap, tan, 2"x 50' .....**49.99**  
EX-2128 Exhaust/header wrap, titanium, 2"x 50' .....**54.99**  
EX-2129 Stainless locking ties, 8" (set of 8).....**13.99**  
EX-2130 Stainless locking ties, 14" (set of 4) .....**8.99**  
TL-176 Stainless locking tie tool .....**5.99**  
EX-2131 Hi-Temp silicone coating, 12 oz. aerosol .....**10.99**

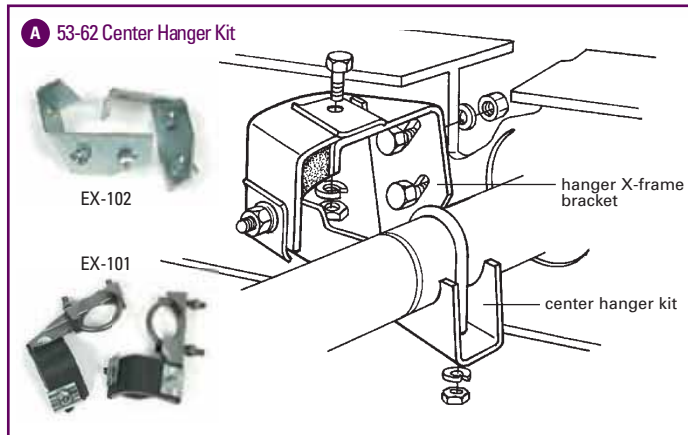
Note: Aerosol materials such as silicone coating cannot be shipped by air.

# Exhaust

## Exhaust Hangers

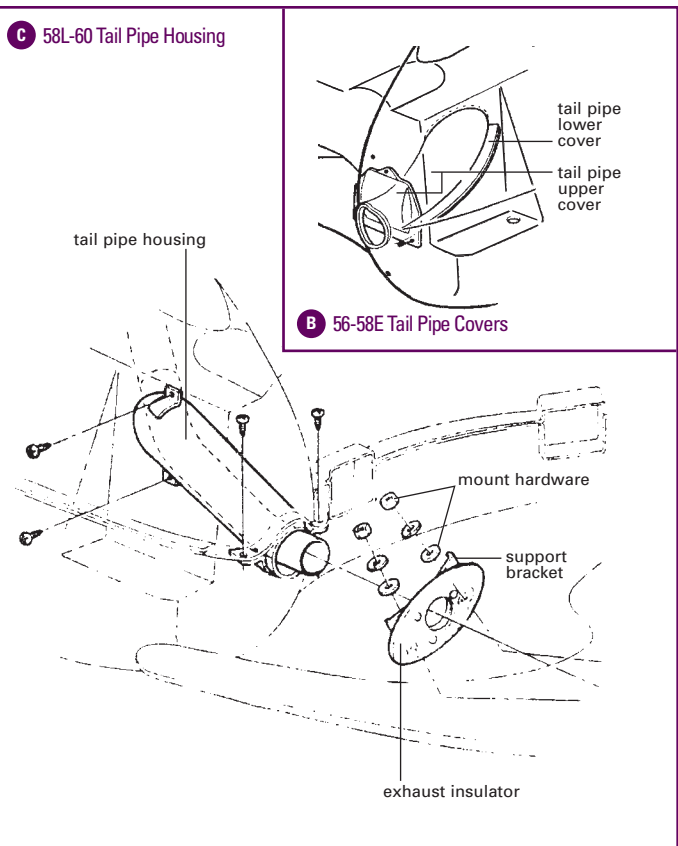
EX-105	53-55	Center hanger kit w/hardware (car set) .....	72.99
EX-101	56-62	Center hanger kit w/hardware (car set) (A).....	72.99
M-3502	53-60	Center hanger frame bracket, welds to frame (LH or RH).....	28.99
EX-102	53-62	Center hanger X-frame brackets (2) (A).....	23.99
EX-833	56-62	Exhaust hanger rubber "L" blocks (2).....	33.99
EX-105	56-60	Muffler hanger kit w/hardware (car set).....	72.99
EX-107	61-62	Muffler hanger kit w/hardware (car set).....	94.99
EX-105	53-55	Rear hanger kit w/hardware (car set).....	72.99
EX-109	61-62	Tailpipe hanger kit (car set).....	76.99
EX-834	61-62	Tailpipe hanger "L" brackets (2).....	25.99
EX-673	61-62	Tailpipe hanger bracket to frame bolt set (4).....	4.99

Note: Exhaust hangers include fine thread U-bolts as original.



## Exhaust Clamps & U-bolts

EX-970	53-62	Exhaust clamp, 1 3/4" replacement .....	2.99
EX-971	53-62	Exhaust clamp, 1 7/8" replacement .....	2.99
EX-972	53-62	Exhaust clamp, 2" replacement.....	2.99
EX-666	53-62	Exhaust clamp, 1 3/4" fine thread .....	5.59
EX-667	53-62	Exhaust clamp, 1 7/8" fine thread .....	5.59
EX-668	53-62	Exhaust clamp, 2" fine thread.....	5.59
EX-559	56-60	Hanger U-bolt set, base motor (8 pcs).....	22.99
EX-560	56-60	Hanger U-bolt set, Hi-Perf (10 pcs).....	26.99
EX-561	61-62	Hanger U-bolt set, base motor (4 pcs).....	12.99
EX-562	61-62	Hanger U-bolt set, Hi-Perf (8 pcs).....	23.99



## Rear Exhaust Insulators

EX-103	56-57	Rear exhaust insulators (car set).....	72.99
SF-677	56-57	Rear exhaust insulator nut kit (24 pcs).....	6.69
EX-104	58-60	Rear exhaust insulators, assembled w/brackets & hardware (car set) (C).....	125.99
EX-672	58-60	Rear exhaust insulator support bracket to body mount hardware (16 pcs) (C).....	6.99
PFG-417	56-58E	Tailpipe lower cover, fiberglass (LH or RH) (pm) (B).....	59.99
PFG-418	56-58E	Tailpipe upper cover, fiberglass (LH or RH) (pm) (B).....	59.99
Note: Tail pipe covers mount in trunk compartment.			
EX-750	58L-60	Tailpipe metal housing (LH or RH) (C).....	52.99



Left-hand ("LH") = driver's side; right-hand ("RH") = passenger side



## Exhaust Manifolds

EX-554L	56	Manifold, 2", LH (#3731557).....	379.99
EX-554R	56	Manifold, 2", RH (#3731558).....	379.99
EX-556	57	Manifold, 2", LH (#3733975).....	359.99
EX-578R	57	Manifold, 2", RH w/o F.I. (#3733976).....	379.99
EX-555	57	Manifold, 2", RH w/F.I. (#3733976).....	379.99
EX-706	57	Manifold, 2", RH (replacement).....	129.99
EX-703	58-62	Manifold, 2", LH (replacement).....	99.99
EX-369	58-62	Manifold, 2", LH (#3749965).....	359.99
EX-370	58-62	Manifold, 2", RH (#3750556).....	359.99
EX-577R	58-61	Manifold, 2", RH w/F.I. (#3750556).....	359.99
EX-646	62	Manifold, 2 1/2", LH, 327 (replacement).....	84.99
EX-647	62	Manifold, 2 1/2", RH, 327 (replacement).....	84.99
EX-371L	62	Manifold, 2 1/2", LH (#3797901).....	359.99
EX-371R	62	Manifold, 2 1/2", RH (#3797902).....	379.99
EX-564R	62	Manifold, 2 1/2", RH w/F.I. (#3797902).....	359.99

Note: Exhaust manifolds with original part number are new correct reproductions featuring cast GM logo and part number. GM licensed.



## VHT FlameProof™

Heat resistant, silica-ceramic spray coating withstands temperatures to 2,000°F. Ideal for exhaust manifolds or headers. Cured matte finish has look of cast iron.

ZMG-72	VHT FlameProof coating.....	10.99
--------	-----------------------------	-------

Note: Hazardous and/or aerosol materials such as paint cannot be shipped by air.



## Calyx Manifold Dressing

The ultimate cleaner/polish to keep your exhaust manifolds "concoors" perfect. No need to remove manifolds, simply brush away loose dirt and rust, apply Calyx cream, then polish to a natural silver luster. Non-toxic.

MG-69	Calyx manifold dressing.....	18.99
-------	------------------------------	-------

Visit us online: [www.zip-corvette.com/exh2](http://www.zip-corvette.com/exh2)  
 How to detail your Corvette's exhaust manifolds

## Exhaust Manifold Hardware

BL-205C	56-62	Manifold to block bolts (12).....	15.99
EX-218	55-62	Manifold bolt locks, stainless (4).....	15.99
EX-713	55-62	Manifold bolt locks, steel (4).....	14.99
BL-206	56-62	Manifold bolt washers (8).....	8.99
ZEX-375	57-62	Manifold choke tube, located inside RH exhaust manifold except F.I.....	11.99
EX-527	56	Manifold heat shields, 3-bolt manifold (pair).....	129.99
EX-565	56-62	Manifold gaskets (car set).....	19.99
Note: Exhaust manifold gaskets were not originally used on Corvettes.			
EX-669	53-56	Manifold studs w/nuts, 2-bolt manifold (car set).....	13.99
ZEX-113	56-62	Manifold studs w/brass nuts (car set).....	14.99
EX-112	56-62	Manifold studs, stainless, w/steel nuts (car set).....	28.99
EX-2113	56-62	Manifold studs, carbon steel, w/top lock nuts (car set).....	16.99
EX-570	56-62	Manifold stud nuts, correct top lock (6).....	8.99



## Exhaust Manifold to Pipe Components

EX-528	56L	Heat riser, 3-bolt manifold.....	159.99
EX-116	57-62	Heat riser, 2".....	64.99
EX-117	62	Heat riser, 2 1/2".....	67.99
EX-121	56-62	Heat riser to manifold gasket, 2".....	3.99
EX-120	62	Heat riser to manifold gasket, 2 1/2".....	3.99
EX-670	55-56	Manifold to pipe gaskets, 2-bolt manifold (2).....	6.99
EX-119	56-62	Manifold to pipe donut, 2" gasket.....	ea 2.99
EX-122	62	Manifold to pipe donut, 2 1/2" gasket.....	ea 2.99
EX-572	53-62	Manifold to pipe donut sleeve, 2".....	ea 9.99
EX-573	62	Manifold to pipe donut sleeve, 2 1/2".....	ea 7.99
M-3998	57	Manifold spacer, 2", F.I., includes "TOP" in casting.....	41.99
M-173	58-61	Manifold spacer, 2", F.I.....	45.99
M-174	62	Manifold spacer, 2 1/2", F.I.....	49.99

Note: Use heat riser gaskets listed above to seal spacer to manifold.

EX-222	57-62	Pipe to manifold flange, 2".....	ea 5.99
EX-223	57-62	Pipe to manifold flange, 2 1/2".....	ea 6.99



## Manual Transmission

TM-207	57-62	Gear shift fork, Borg-Warner (2 per transmission) .....	ea 34.99
TM-301	55-62	Tail shaft vent tube, 3 speed.....	25.99
TM-131	57-62	Transmission rear seal, Borg-Warner .....	7.99
ZTM-144	57-62	Transmission seal kit, Borg-Warner.....	14.99



## Manual Transmission Rebuild Service

If the thought of tackling your Corvette's "stick" gearbox is a bit too intimidating – have Zip do it! Transmission is completely disassembled, cleaned, and thoroughly inspected. Case is restored to factory finish. Rebuild includes all-new bearings, syncros, bushings and seals. Additional costs may be incurred depending on condition of gears and cluster assembly (parts not replaced during standard service). 1-year unlimited mileage warranty. Sold on exchange only. No Discount.

S-192	57-62	Manual transmission rebuild service .....	799.99
-------	-------	---	--------

## Bellhousing & Flywheel

BL-101	55-59	Bellhousing bolts, "AP" headmark (5) & "TR" headmark (2).....	11.99
BL-434	60-62	Bellhousing bolts (6).....	10.99
CL-149	55-62	Bellhousing housing front cover .....	26.99
CL-222	55-62	Bellhousing housing underpan.....	45.99
BL-324	55-62	Bellhousing front cover screws (4) .....	3.99
CL-174	56-62	Bellhousing to transmission bolts (4) .....	8.99
BL-412	56-62	Flywheel mount bolts w/washers (12 pcs).....	9.99
CL-186	56-62	Flywheel to pressure plate bolts (10 pcs).....	9.99
CL-198	56-62	Flywheel pilot bushing.....	13.99
CL-162	56-62	Throw-out bearing.....	24.99



## LS Conversion

Close copy of "621" bellhousing but designed to bolt to an LS or LT engine. Can be used in front of Muncie or Tremec transmission conversions. 168 tooth flywheel designed for use when installing 5 or 6-speed Tremec transmission conversion. Flywheel utilizes 6-bolt design and an 11" clutch.

TM-416	56-62	LS conversion bellhousing .....	329.99
TM-415	56-62	LS conversion flywheel .....	329.99



## 4-speed Rebuild Kit

Everything you'll need to return your 4-speed transmission to its factory level of performance is included in Zip's kit: new gaskets, snap rings, washers, needle bearings, front and rear bearings, rear seal, brass synchronizer rings, countershaft and a small parts kit.

TM-118	57-62	Borg-Warner T-10 rebuild kit .....	269.99
--------	-------	------------------------------------	--------



## Tremec Conversion

Everything needed for upgrading your original 3 or 4-speed C1 Corvette to a Tremec manual transmission - perfect for those who desire improved performance, increased drivability while maintaining the stock look and feel. TKX Tremec available in close or wide ratio options. Tremec transmission kit includes custom PerfectFit side-mount shifter, transmission cross-member, speedometer cable/adaptor, 5-speed console emblem and reverse light adapter. Shifter handle and driveshaft/slip yoke sold separately. Driveshaft must be measured and ordered once transmission is installed.

TM-393	55-62	TKX 5-speed transmission conversion (wide ratio).....	3999.99
TM-394	55-62	TKX 5-speed transmission conversion (close ratio).....	3999.99

Note: Contact Zip for more information on transmission ratios and application details.



## Hydraulic Clutch Kit

Get rid of your factory heavy clutch pedal with a new hydraulic clutch actuator kit. High quality Wilwood master cylinder with remote reservoir actuates a HD concentric slave cylinder/throw-out bearing. Kit includes stainless hose and firewall mount bracket. Rated for 7,000rpms.

TM-414	Hydraulic clutch kit for use with TKO or Muncie .....		679.99
--------	---	--	--------



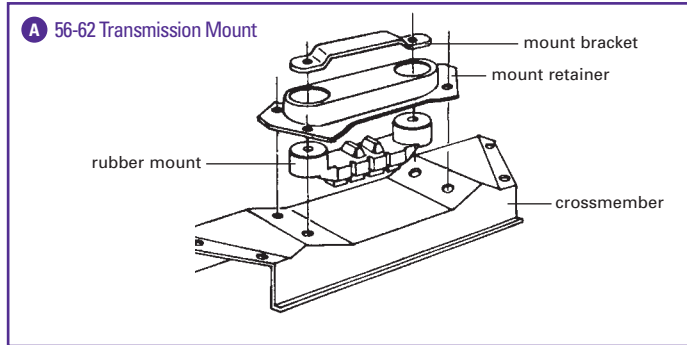
**Zip Social**     
 Follow us and stay connected! [www.zip-corvette.com/social](http://www.zip-corvette.com/social)

## Transmission Mount

ST-130	56-62	Transmission crossmember (A).....	142.99
BL-437	56-62	Transmission crossmember to frame bolts, "AP" head (16).....	6.99
BL-445	56-62	Transmission crossmember to frame shim (2 per car)..... ea	6.69
ST-435	56-61	Transmission mount bracket, 3-speed (A).....	19.99
ST-117	57-61	Transmission mount bracket, 4-speed (A).....	20.99
ST-135	62	Transmission mount bracket plate, 4-speed & Auto .....	16.99

Note: ST-135 adapter plate allows installation of a '62-70-style Muncie transmission into any '56-62 Corvette with no modifications.

BL-348	56-61	Transmission mount bracket bolts, "AP" head (2).....	5.59
BL-331	62	Transmission mount bracket bolts, "WB" head (2).....	4.49
WS-146	56-62	Transmission rubber mount (A).....	29.99
BL-349	56-62	Transmission rubber mount bracket bolts, "UR" head (6 pcs)....	5.99
ST-118	56-62	Transmission mount retainer (A).....	28.99
BL-381	56-62	Transmission mount retainer to crossmember bolts, "WB" head (4).....	6.99



## Speedometer Driven Gear

### Gear

Part#	Teeth	Color	
TM-152	18	Brown.....	14.99
TM-153	19	Natural.....	14.99
TM-154	20	Blue.....	14.99
TM-155	21	Red.....	14.99
TM-156	22	Green.....	14.99
TM-157	22	Silver.....	14.99
TM-158	23	Black.....	14.99
TM-159	24	Yellow.....	14.99

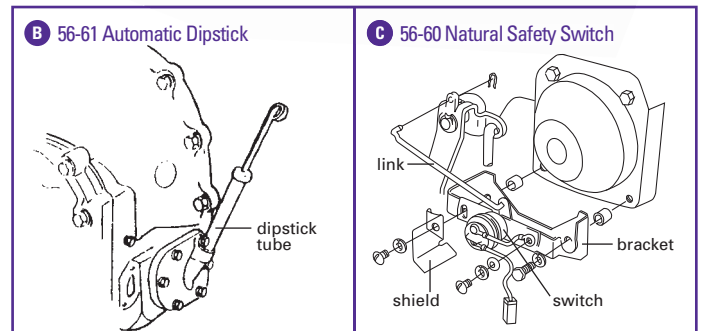


### Gear Components

TM-151	57-62	Gear sleeve O-ring seal .....	2.99
TM-150	57-62	Gear sleeve retainer .....	5.99
BL-510	57-62	Gear sleeve retainer mount bolt .....	1.49
TM-147	57-62	Gear sleeve .....	16.99

## Automatic Transmission

CZ-1030	56-57	Automatic kickdown linkage, 2x4, complete.....	229.99
BL-690	62	Flex plate mount bolts (8) .....	13.99
TM-308	56-61	Transmission dipstick tube w/bracket (B).....	29.99
TM-282	62	Transmission dipstick tube.....	49.99
TM-360	56-61	Transmission dipstick tube O-ring.....	3.99
M-2550	62	Transmission filter & pan gasket kit .....	11.99
CZ-1122	53-54	Transmission modulator vacuum line .....	39.99
TM-285	62	Transmission modulator gasket.....	2.99
TM-284	62	Transmission to engine bolts .....	5.99
CL-156	62	Transmission underpan, plastic replacement .....	49.99
TM-283	62	Transmission underpan screws.....	4.99



### Neutral Safety Switch

ES-517	53-55	Neutral safety switch, 6-cylinder (C).....	84.99
ES-486	55-57	Neutral safety switch, V8 (C).....	84.99
ES-485	58-60	Neutral safety switch (C).....	84.99
ES-482	53-60	Neutral safety switch bracket kit (C).....	129.99
ES-483	56-60	Neutral safety switch link (C).....	24.99
ST-230	53-60	Neutral safety switch shield (C).....	9.99



## Converter Lock-Up Switch

Enables torque converter to lock-up (overdrive) without need for auxiliary computer or toggle switch. Installs externally on 700R4 or 200R4 automatic. Includes fuse holder, pressure switch, wiring and installation instructions.

ES-577	55-62	Torque converter lock-up update switch.....	89.99
--------	-------	---	-------

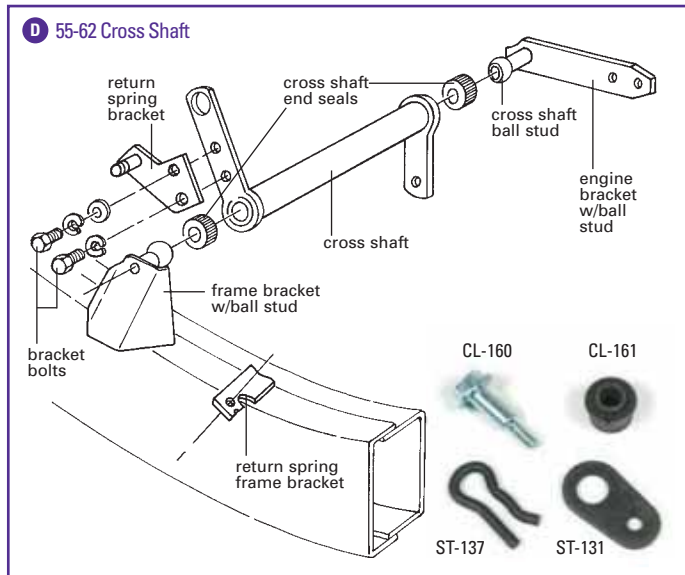




# Clutch Linkage & Pedal

## Cross Shaft

M-1101	55-62	Cross shaft (D)(E)	77.99
ZCL-109	55-62	Cross shaft end seal, replacement (D)	ea 1.99
CL-216	55-62	Cross shaft end seals, correct w/skin (2) (D)	10.99
M-192	55-62	Cross shaft ball stud, welds to bracket (D)	10.99
M-1122	55-62	Engine bracket w/ball stud (D)	25.99
CL-188	55-62	Engine bracket to bellhousing bolts (4 pcs)	3.49
CL-130	55-62	Frame bracket w/ball stud (D)	26.99
ST-116	55-57	Return spring, w/yellow ID (E)	24.99
ST-133	58-62	Return spring, 17 coils, w/yellow ID (E)	18.99
M-2443	55-57	Return spring bracket (D)	17.99
M-169	58-62	Return spring bracket (D)	29.99
CL-189	55-62	Return spring bracket bolts (6 pcs) (D)	3.99
ST-131	58-62	Return spring bracket oval link plate	7.99
CL-153	55-62	Return spring frame bracket, welds on (D)	22.99
ST-137	55-62	Return spring hairpin hook, 56-57 2 per car & 58-62 1 per car (E)	8.99



## Fork Components

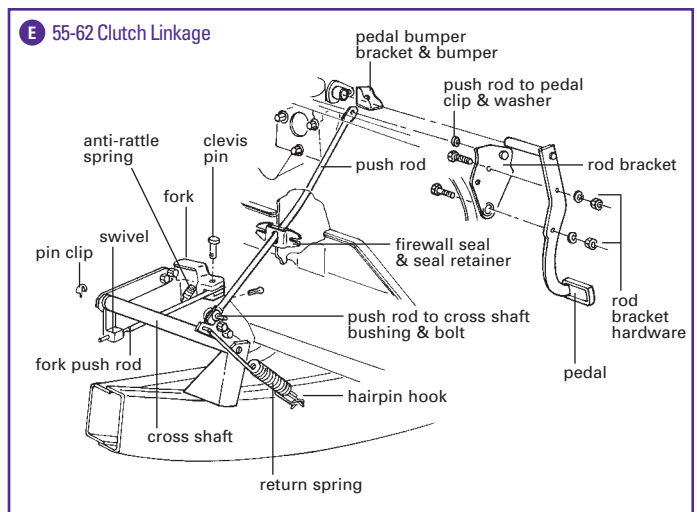
CL-173	55-62	Fork (E)	92.99
CL-102	55-62	Fork ball stud, 1 1/2" long	9.99
CL-152	56-60	Fork boot, leather ('60 replacement)	28.99
CL-137	61-62	Fork boot, rubber	29.99
CL-128	55-62	Fork push rod (E)	29.99
M-2231	55-62	Fork push rod anti-rattle spring (E)	3.99
CL-127	55-62	Fork push rod swivel (E)	8.99
CL-104	55-62	Fork push rod clevis pin (E)	2.99
ZST-129	55-62	Fork push rod clevis pin wire clip (E)	ea 1.49
CL-162	56-62	Throw-out bearing	24.99
CL-175	56-62	Throw-out bearing clip, rivets to fork	19.99



## Clutch Push Rods (Spherical Rod Ends)

Upgraded push rods feature infinite adjustment, solid feel, smooth clutch operation – and maintenance free durability (self-cleaning Teflon® lined links). Includes clutch-to cross shaft push rod, cross shaft-to-clutch fork push rod, and all necessary hardware and fasteners.

M-4228	55-62	Clutch push rods w/spherical rod ends	139.99
--------	-------	---------------------------------------	--------



## Clutch Pedal

CL-212	56-57	Pedal assembly (E)	102.99
CL-213	58	Pedal assembly (E)	102.99
CL-214	59-62	Pedal assembly (E)	94.99
TM-361	55-62	Pedal assembly washer & cotter pin	2.49
WS-405	56-62	Pedal bumper (E)	3.99
CL-195	56-62	Pedal bumper bracket w/bumper (E)	17.99
CL-140	56-62	Pedal bushings, clutch & brake (4 pcs)	21.99
CL-196	59-62	Pedal push rod bracket, w/push rod pin (E)	25.99
CL-215	59-62	Pedal push rod bracket hardware (E)	3.99
WS-133	56-57	Pedal pad	7.99
WS-238	58-62	Pedal pad	6.99



## Clutch Push Rod

CL-161	55-62	Push rod to cross shaft bushing (E)	16.99
CL-235	55-62	Push rod to cross shaft bushing (restoration poly) (E)	29.99
CL-160	55-62	Push rod to cross shaft bushing bolt (E)	10.99
CL-139	56-58	Push rod, w/hardware (E)	29.99
CL-138	59-62	Push rod (E)	23.99
CL-210	56-58	Push rod hardware, includes spring, washer & cotter pin (2 kits per car)	3.49
CL-211	59-62	Push rod to pedal clip & washer (E)	3.99
CL-133	55-62	Push rod firewall seal (E)	6.99
CL-134	55-62	Push rod firewall seal retainer (E)	12.99
CL-190	55-62	Push rod firewall seal retainer hardware (6 pcs)	2.99
ZST-129	55-62	Push rod clevis pin wire clip	ea 1.49

## Clutch Kit

Includes new clutch disc, new pressure plate, throw-out bearing, pilot bushing and one-time-use plastic alignment tool. Multi-finger replacement design.



TM-107	57-62	10.4" diameter, 10 splines	159.99
TM-336	57-62	Clutch pilot roller bearing	14.99

## Shifter

### Automatic Shifter & Linkage

WS-136	56-62	Boot, improved reinforced design.....	24.99
ST-102	56-61	Linkage set ('56-60 replacement) (F).....	69.99
ST-227	62	Linkage set (F).....	46.99
ST-515	53-61	Linkage clevis (F).....	23.99
ST-514	56-62	Linkage clevis pin (F).....	ea 2.49
ZST-129	56-62	Linkage clevis pin wire clip.....	ea 1.49
ST-471	56	Shifter w/chrome knob.....	329.99
ST-120	57-61	Shifter w/knob (F).....	299.99
ST-126	62	Shifter w/knob.....	309.99
ST-472	56-57	Shifter knob, chrome.....	42.99
ST-107	56-62	Shifter knob, white w/brass insert (F).....	14.99
ST-511	56-62	Shifter mount bolts (3) (F).....	4.99

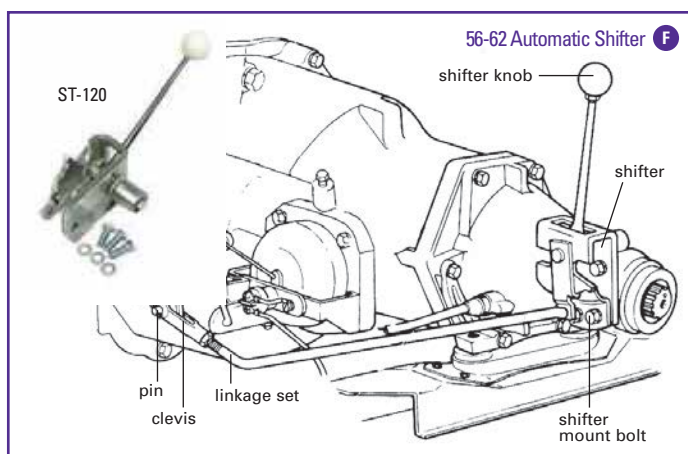
### Shiftworks "Smoothie" Automatic Shifter

Custom shifter maintains OE look for transmission upgrade options. Includes transmission shift lever, linkage rod and mounting hardware. Neutral safety/back up light switch pre-installed (harness connector is not included). Specify white or black knob.



ST-600	58-62	Shiftworks shifter assembly (Powerglide).....	339.99
ST-601	58-62	Shiftworks shifter assembly (3 or 4-speed Auto).....	339.99
ST-604	58-62	Shiftworks shifter assembly (6L80E, 6L90E).....	339.99

See page 90 for transmission conversion shift patterns.



### 3-speed Shifter & Linkage

WS-136	56-62	Boot, improved design.....	24.99
ST-419	56-62	Linkage transmission lever, reverse-1st gear.....	48.99
ST-418	56-62	Linkage transmission lever, 2nd-3rd gear.....	48.99
ST-514	56-62	Linkage clevis pin.....	ea 2.49
ZST-129	56-62	Linkage clevis pin wire clip.....	ea 1.49
ST-473	56	Shifter w/chrome knob.....	369.99
ST-121	57-58	Shifter w/knob.....	339.99
ST-127	59-62	Shifter w/knob.....	339.99
ST-472	56-57	Shifter knob, chrome.....	42.99
ST-107	56-62	Shifter knob, white w/brass insert.....	14.99
ST-511	56-62	Shifter mount bolts (3).....	4.99

### OE-style Shifter Shaft

Your Corvette can look all-original even if you've upgraded to an aftermarket shifter for improved performance. Exact replica of OE shaft includes a non-functional "reverse lockout" T-handle. Fits Hurst or Mr. Gasket shifters that use 2-bolt-design shaft. Includes correct color shift ball.



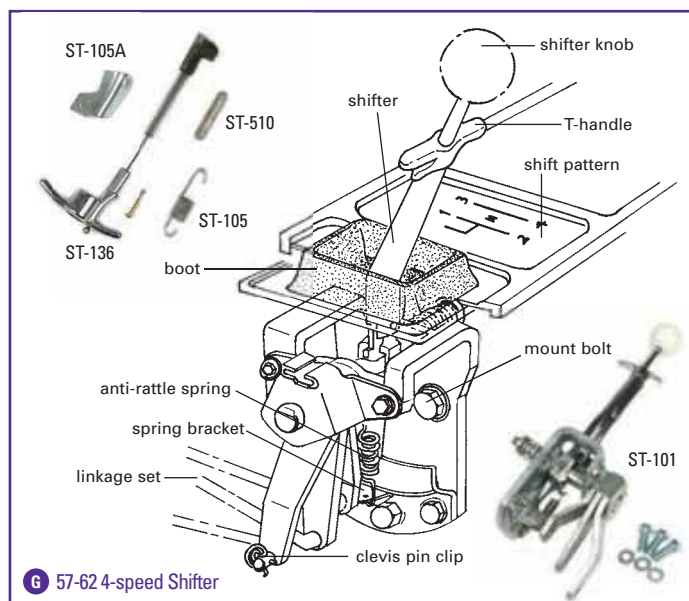
ST-347	56-58	Shifter shaft.....	84.99
ST-348	59-62	Shifter shaft.....	129.99

### 4-speed Shifter & Linkage

WS-136	57-58	Boot, improved reinforced design.....	24.99
WS-244A	59-62	Boot, improved reinforced design (G).....	34.99
ST-323	57-62	Linkage set, Muncie transmissions (G).....	129.99
ST-104	57-62	Linkage set, Borg-Warner & T-10 (G).....	129.99
ST-404	57-62	Linkage adjusting gauge block.....	7.99
ST-514	56-62	Linkage clevis pin.....	ea 2.49
ZST-129	57-62	Linkage clevis pin wire clip (G).....	ea 1.49
ST-100	57-58	Shifter w/knob.....	339.99
ST-101	59-62	Shifter w/knob (G).....	449.99
ST-105	57-62	Shifter anti-rattle spring (G).....	10.99
ST-105A	57-62	Shifter anti-rattle spring bracket (G).....	7.99
ST-472	56-57	Shifter knob, chrome.....	42.99
ST-107	56-62	Shifter knob, white w/brass insert (G).....	14.99
ST-511	57-62	Shifter mount bolts (3) (G).....	4.99
ST-510	57-62	Shifter lever control pin, repairs bottom of shifter shaft.....	2.99
ST-136	59-62	T-handle w/spring, cable, stop& cover rivet (G).....	64.99
ST-468	59-62	T-handle cable cover.....	42.99
ST-469	59-62	T-handle cable cover rivet.....	1.99

Note: Zip has components for rebuilding your original shifter and linkage, call your Zip Products salesperson for specific needs.

See page 90 for factory shift patterns



### 4-speed Shifter & Linkage Kit

Features a fully-assembled shifter complete with knob plus all required linkage components. Includes levers, swivels, clevis and clips.

ST-474	57-58	Shifter & linkage kit, Borg-Warner.....	459.99
ST-475	57-58	Shifter & linkage kit, Muncie.....	459.99
ST-411	59-62	Shifter & linkage kit, Borg-Warner.....	569.99
ST-410	59-62	Shifter & linkage kit, Muncie.....	569.99



# Fuel Pump

## Correct Appearance Fuel Pump

Rebuilt pump with "AC" cast into top or side of main body as original. Correct die cast design includes original GM part number stamped in casting.

CZ-1048	55L-56	Rebuilt fuel pump #4262.....	189.99
CZ-1049	56L-57	Rebuilt fuel pump #4346.....	329.99
CZ-1050	58E	Rebuilt fuel pump #4445.....	329.99
CZ-404	58L-62	Rebuilt fuel pump #4656.....	189.99



CZ-1048



CZ-1049



CZ-404

## Replacement Fuel Pump

New replacement unit has overall appearance of a factory-original pump but does not have "AC" casting on main body.

Z-401	56L	Replacement fuel pump 283 w/3/8" line.....	99.99
Z-401	57-58	Replacement fuel pump, All except F.I.....	99.99
Z-427	57-58	Replacement fuel pump, F.I., "long screw".....	89.99
CZ-437	59-62	Replacement fuel pump.....	79.99



Z-427



CZ-437

## Fuel Pump Vacuum Lines

CZ-1124	53-54	Fuel pump vacuum line – pump to wiper motor.....	39.99
CZ-1123	53-54	Fuel pump vacuum line – pump to intake manifold.....	39.99

## Fuel Pump Flex Hose

Connects frame fuel line to fuel pump.

Z-801	55-56	Frame line to fuel pump, V8.....	39.99
CZ-1174	56-57	Frame line to fuel pump, 56 2x4 & 57 All.....	22.99
Z-802	58-62	Frame line to fuel pump (D).....	23.99
Z-803	57-62	Frame line to fuel pump fitting.....	5.99
CZ-1161	57-62	Frame line to fuel pump fitting, correct reproduction.....	14.99



Z-802



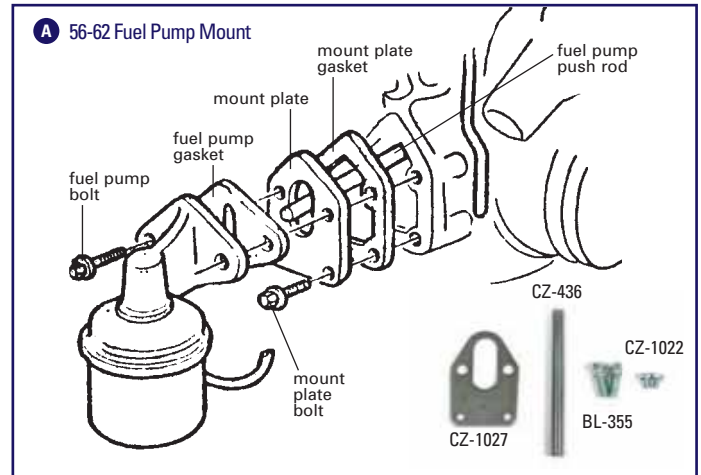
Z-801

Z-803

## Fuel Pump Bolts & Hardware

BL-549	55-57	Fuel pump hardware (4 pcs).....	3.99
BL-355	58-62	Fuel pump bolts (2) (A).....	4.99
CZ-1054	55-62	Fuel pump gasket, All (A).....	2.99
CZ-1027	55-62	Fuel pump mount plate (A).....	10.99
BL-629	55-56	Fuel pump mount plate screws, slotted head (2).....	3.99
CZ-1022	57-62	Fuel pump mount plate bolts (2) (A).....	3.49
CZ-1026	55-62	Fuel pump mount plate gasket (A).....	1.99
CZ-436	55-62	Fuel pump push rod, mounts inside engine (A).....	12.99

Note: Fuel pump bolts are original-style and include correct headmark.



## Fuel Pump Rebuild Kit

Factory parts kit includes all internal parts needed to rebuild original AC fuel pump. Must reuse old top and bottom.



CZ-1210	55-62	Fuel pump rebuild kit, #4262, #4445, #4656.....	69.99
CZ-1209	56L-57	Fuel pump rebuild kit, #4346.....	69.99

## Zip Resto Tip: Fuel Pump Installation

When changing a fuel pump on any Corvette, the first thing you want to do is remove the gas cap. This keeps fuel from being pushed out of the line from pressure built-up in the tank. Place a catch bucket under the fuel pump lines and disconnect the rubber hoses that connect the frame lines to the fuel pump. Once removed, disconnect the steel line that goes from the pump to the carburetor. On the front side of the block, next to the fuel pump, you'll see two mounting holes. The upper hole is threaded all the way through the block into the cavity for the fuel pump push rod. Before removing the pump, thread a 3/8" bolt in, lightly tightening the bolt against the push rod. This will lock the push rod in place so that it does not drop when removing the fuel pump. Remove the two fuel pump bolts and the fuel pump will lift out. The fuel pump plate and bottom two bolts do not need to be removed. After installing the new gasket and fuel pump, remove the temporary bolt, releasing the push rod to rest against the fuel pump rocker arm. Reinstall fittings and lines, making sure all threads are properly sealed.





# Fuel Lines

## Fuel Lines – Pump to Carb

OE-style pump to carb (and fuel injection) lines are steel tubing with double inverted flares and steel nuts. Lines are pre-bent to match exact shape of originals and include fittings to complete installation as required.

CZ-1076	53	Pump to carb lines w/fittings.....	119.99
CZ-1121	54-55	6-cylinder, pump to carb lines w/fittings.....	109.99
CZ-1077	55-56	195 & 210 hp, w/o filter.....	36.99
CZ-1077SS	55-56	195 & 210 hp, w/o filter, stainless.....	38.99
Z-102	57-58	220 & 230 hp, 3 fittings w/o filter.....	36.99
CZ-102SS	57-58	220 & 230 hp, 3 fittings w/o filter, stainless.....	42.99
Z-103	59-62	230 & 250 hp, w/90° fitting (B).....	29.99
CZ-103SS	59-62	230 & 250 hp, w/90° fitting, stainless (B).....	39.99
Z-105	56-58	2x4, 3 lines, 5 fittings w/o filter.....	59.99
CZ-105SS	56-58	2x4, 3 lines, 5 fittings w/o filter, stainless.....	62.99
Z-106	59-61	2x4, 3 lines, 5 fittings, w/o filter.....	59.99
CZ-106SS	59-61	2x4, 3 lines, 5 fittings, w/o filter, stainless.....	62.99
Z-107	57-58E	F.I. 2-piece with 4 fittings (4445 fuel pump).....	52.99
CZ-107SS	57-58E	F.I. 2-piece with 4 fittings, stainless (4445 fuel pump).....	54.99
Z-108	59-61	F.I. w/fitting (uses canister-style filter).....	44.99
CZ-108SS	59-61	F.I. w/fitting, stainless (uses canister-style filter).....	44.99
Z-110	62	F.I. w/o filter, 2 fittings.....	39.99
CZ-110SS	62	F.I. w/o filter, 2 fittings, stainless.....	44.99
Z-112	62	300 & 340 hp, w/o filter, 3 fittings.....	39.99
CZ-112SS	62	300 & 340 hp, w/o filter, 3 fittings, stainless.....	46.99

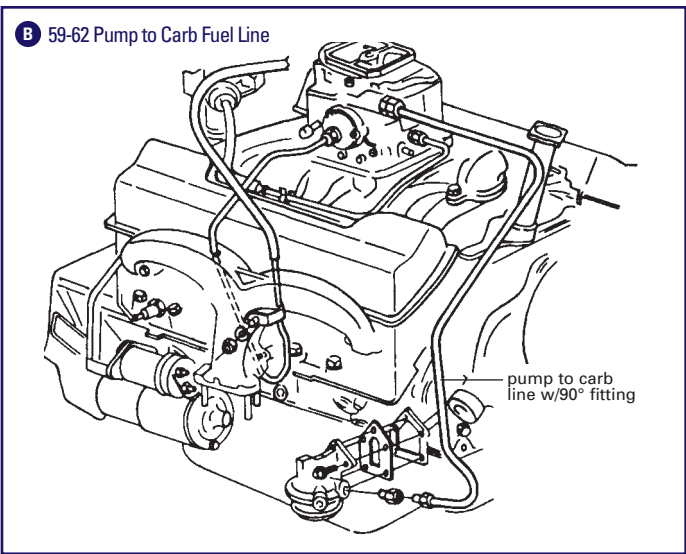
## Fuel Filter

CZ-703	53-62	GF48 glass bowl filter (replacement).....	39.99
CZ-1047	53-62	GF48 "AC" domed fuel filter (reproduction).....	39.99
CZ-996	53-62	GF48 filter element.....	7.99
CZ-704	62	GF90 filter, silver finish, F.I.....	46.99
CZ-1012	59-62	Carburetor inlet fuel filter, AFB & WCFB.....	4.99
M-3671	57E	F.I. fuel filter w/bracket.....	679.99
M-3672	57L-58	F.I. fuel filter w/bracket.....	679.99
FI-168	57-58	Fuel filter element, replacement.....	34.99
FI-169	57-58	Fuel filter O-ring, large.....	3.99
FI-174	58L-61	Fuel filter wrench.....	29.99



## Tank to Pump Fuel Line Clips

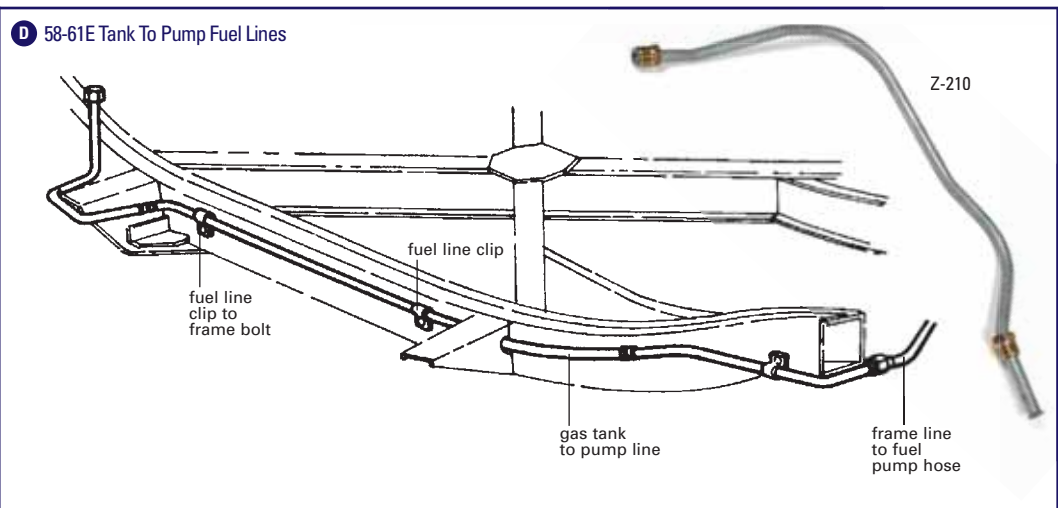
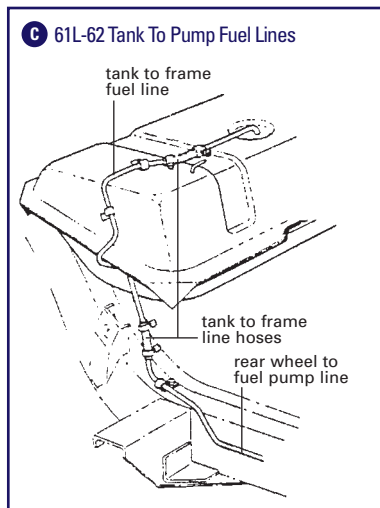
CZ-1066	56E	Fuel line clip, double for gas & brake, 5/16".....	4.99
CZ-1067	56L-58E	Fuel line clip, double for gas & brake, 3/8".....	4.99
Z-216A	58L-62	Fuel line clips (4) (D).....	3.49
CZ-1046	56-62	Fuel line clip to frame bolts, "LG" headmark (4) (D).....	5.49



## Fuel Lines – Tank to Pump

OE-style 3/8" diameter tank to fuel pump steel lines include armor protector and brass unions as applicable. Shipped UPS.

CZ-1155	53-61E	Gas tank to pump line brass union.....	4.99
Z-986	54	Gas tank to pump, 2-piece set.....	79.99
Z-986SS	54	Gas tank to pump, 2-piece set, stainless.....	99.99
CZ-1227	55	Gas tank to pump, 2-piece set.....	79.99
CZ-1227SS	55	Gas tank to pump, 2-piece set, stainless.....	99.99
CZ-1225	56E	Gas tank to pump, 2-piece set.....	69.99
CZ-1225SS	56E	Gas tank to pump, 2-piece set, stainless.....	94.99
Z-210	56L-57	Gas tank top tank line only.....	24.99
Z-211	56L-57	Gas tank to pump middle section only.....	24.99
Z-212	56L-57	Gas tank to pump front section only.....	24.99
Z-209	56L-57	Gas tank to pump, 3-piece set.....	69.99
Z-983	56L-57	Gas tank to pump, 3-piece set, stainless.....	89.99
Z-210	58-61E	Gas tank top tank line only.....	24.99
Z-215	58-61E	Gas tank front to rear line only.....	39.99
Z-213	58-61E	Gas tank to pump, 2-piece set (D).....	69.99
Z-984	58-61E	Gas tank to pump, 2-piece set, stainless (D).....	89.99
Z-216	61L-62	Gas tank to pump rear wheel to fuel pump, w/armor (C).....	49.99
Z-216T	61L-62	Gas tank to pump tank to frame rear fuel line (C).....	24.99
Z-985	61L-62	Gas tank to pump, 2-piece set, stainless (C).....	89.99
GT-361	61L-62	Tank to frame line hoses (2) w/clamps (C).....	13.99



## Gas Tank

### Gas Tank

GT-330	56-57E	Gas tank, unvented, w/OLA logo (E)	269.99
GT-401	56-57E	Gas tank, unvented (no logo)	199.99
GT-329	57L-61E	Gas tank, vented, w/OLA logo (E)	269.99
GT-400	57L-61E	Gas tank, vented (no logo)	179.99
GT-328	61L-62	Gas tank, vented w/baffles, w/OLA logo (E)	269.99
GT-379	61L-62	Gas tank, vented w/baffles (no logo)	179.99

*Note: Unvented tanks were used prior to '57 VIN # 1421. Baffles were factory installed in '61 Corvettes built after #3200. Zip recommends using a vented, baffled tank in any '56-62 Corvette.*

### EFI Gas Tank

Easy conversion to fuel injection, allows for use of GPA series fuel pump. Original 16 gallon tank with recessed sender & pump connections for a no modification install. Features include galvanized steel construction, powder coated silver finish, 4.3 liter internal fuel tray and 5-bolt sending unit mount which can be used with a variety of aftermarket senders.

GT-419	53-62	EFI fuel tank	289.99
GT-420	53-62	Gas tank sending unit	39.99
GT-421	53-62	EFI fuel pump module, in tank design	219.99



GT-419



GT-420

GT-421

## Reproduction Gas Tanks

Zip's reproduction tanks match the factory unit in shape, indents, welds, connections and internals. Rust-resistant .032" Ni-Terne steel – twice leak tested to ensure total satisfaction and performance. Available with or without authentic "O.L. Anderson" stamped logo as original.



GT-330

### Sending Unit

GT-304	56-60	Sending unit, w/gasket & strainer (E)	74.99
GT-102	61-62	Sending unit, w/gasket & strainer (E)	74.99

*Note: '56-60 sending unit uses a coupler to attach unit to frame line; '61-62 uses a hose to attach unit.*

GT-354	56-62	Sending unit float, brass (E)	9.99
ZGT-246	53-62	Sending unit gasket	4.49
SF-482	53-62	Sending unit screws (5)	6.99
GT-245	53-62	Sending unit strainer sock (E)	9.99



GT-304

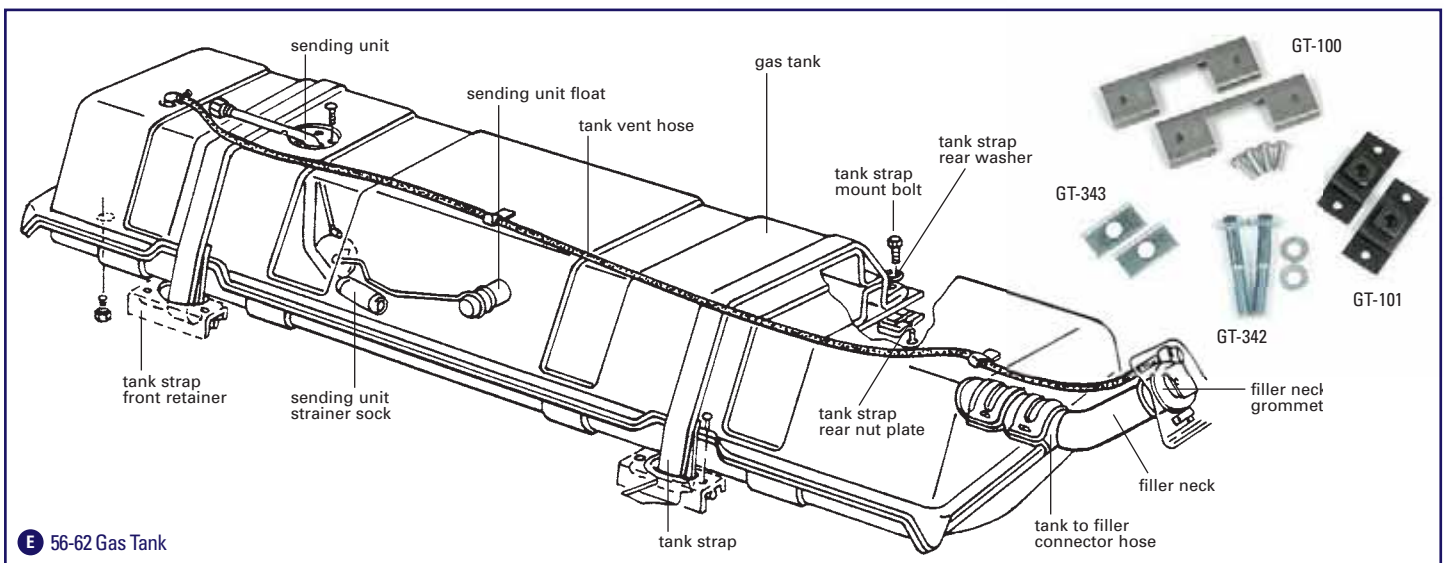
GT-102

GT-354

SF-482

GT-245

ZGT-246



E 56-62 Gas Tank

## Tank Installation Kit

Use with reproduction gas tank. Includes new sending unit, filler neck and hose, stainless straps with hardware and retainers, anti-squeak pads, vent hose and grommet and new cap.

GT-403	56-60	Gas tank installation kit.....	209.99
GT-402	61-62	Gas tank installation kit.....	209.99

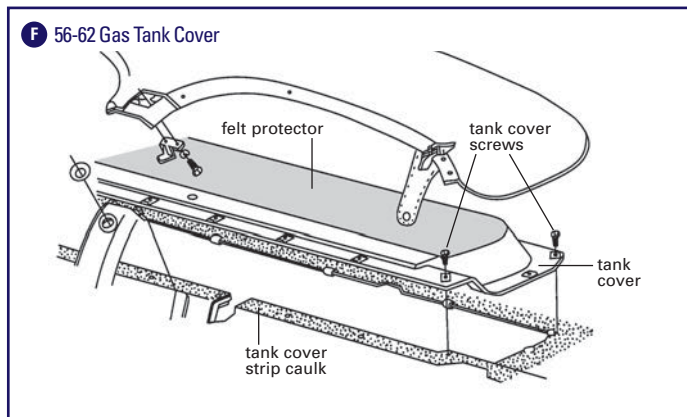


## Gas Tank Mounting

ZGT-104	53-62	Tank anti-squeak pads (2).....	4.99
GT-12	53-62	Tank strap (stainless) (2 per car) (E).....	ea 14.99
ZGT-256	53-62	Tank strap anti-squeak pads (2).....	4.99
GT-410	53-62	Tank strap mount bolts w/"dog point" (4 pcs) (E).....	7.99
GT-100	53-62	Tank strap front retainers (2) (E).....	13.99
GT-386	53-55	Tank strap rear retainers (2).....	13.99
GT-343	56-62	Tank strap rear washers (2) (E).....	8.99
GT-101	56-62	Tank strap rear underbody nut plates (2) (E).....	15.99

## Gas Tank Cover

CT-286	53-57	Convertible top felt protector, tan, on tank cover.....	79.99
CT-86	53-62	Convertible top felt protector, black, on tank cover (F).....	49.99
PFG-335	56-62	Tank cover (pm) (F).....	239.99
SF-676	53-55	Tank cover mount screws w/J-nuts (60 pcs).....	19.99
SF-426	56-61E	Tank cover mount screws w/J-nuts (54 pcs) (F).....	15.99
SF-427	61L-62	Tank cover mount screws w/J-nuts (45 pcs) (F).....	14.99
WW-293	53-62	Tank cover sealing strip caulk (F).....	5.99



## Locking Gas Cap

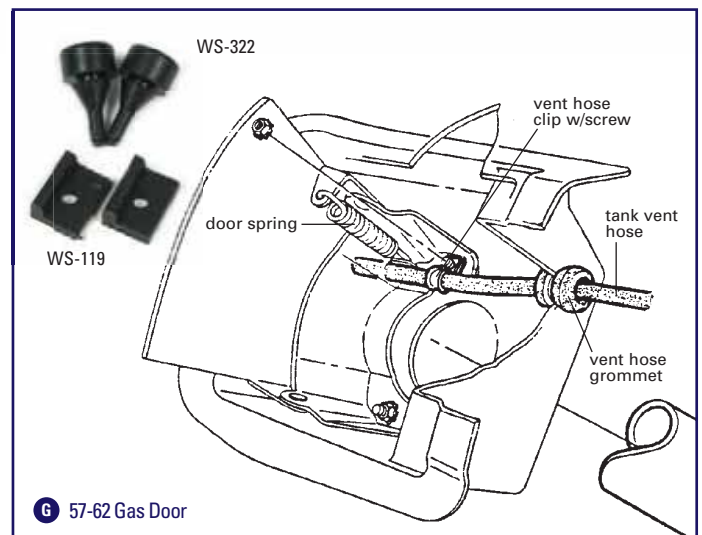
Protect your Corvette from fuel theft or tank vandalism with a positive locking gas cap. Includes 2 keys.

X-2146	53-62	Locking gas cap.....	19.99
--------	-------	----------------------	-------



## Filler Neck & Gas Cap

GT-314	53-62	Cap, replacement.....	9.99
GT-366	57-58	Cap, vented, reproduction.....	39.99
GT-413	58-62	Cap, non-vented, includes "FE" logo.....	39.99
GT-456	59-62	Cap, non-vented, includes "S" logo.....	37.99
GT-309	56-60	Filler neck (E).....	60.99
GT-310	61-62	Filler neck (E).....	60.99
WS-120	53-62	Filler neck grommet (E).....	10.99
WS-121	53-62	Tank to filler connector hose (E).....	15.99
HC-111	53-62	Tank to filler connector hose clamps (2).....	13.99



## Gas Door & Fuel Filler Housing

GT-350	56-60	Door assembly.....	179.99
WS-119	53-60	Door bumpers w/screws (car set).....	5.99
ZSF-524	53-60	Door bumper screws (2).....	1.49
WS-322	61-62	Door bumper.....	ea 2.99
SF-683	56-60	Gas door hinge to body hardware (4 pcs).....	2.99
SF-724	61-62	Gas door hinge to body nuts (2 pcs).....	1.99
SPR-122	61-62E	Door spring (G).....	7.99
SPR-158	62L	Door spring (G).....	7.99
GT-344	56-62	Tank filler drain hose.....	5.99
GT-264	53-62	Tank filler drain hose nipple.....	3.99
GT-351	53-60	Tank filler neck fiberglass housing.....	99.99
WS-122	57-62	Tank vent hose (E)(G).....	8.99
GT-275	57-62	Tank vent hose clip w/screw (G).....	3.99
FG-107	57-62	Tank vent hose grommet (G).....	3.99





## Body Mounts

### Body Mount Kit

Includes all bushings, washers, shims and hardware required to securely mount car body to chassis.

M-4038	53-57	Body mount kit w/replacement bolts .....	79.99
M-140	53-57	Body mount kit w/"UR" headmark bolts .....	89.99
M-4039	58-62	Body mount kit w/replacement bolts .....	79.99
M-141	58-62	Body mount kit w/"UR" headmark bolts .....	84.99

Note: Body mount kits include lower radiator mount.

M-3177	53-62	Body mount bolts, "UR" headmark (10).....	23.99
BL-541	53-62	Body mount bolts, "TR" headmark (10) .....	19.99



M-3177

M-141

### Body Mount Frame Brackets

M-3477	56-62	Body mount bracket, front, welds to side of frame.....	84.99
SU-517	56-62	Rear body mount bracket & rear spring front support (LH or RH) .....	69.99



SU-517

M-3477

M-3273

M-3272

### Body Mount Shims

M-3272	53-62	Body mount metal shims (10) .....	24.99
M-3273	53-62	Body mount cardboard shims (10) .....	22.99
WS-103	53-62	Frame rail rubber shims (8) .....	14.99

### Underbody Retainer Kit

Includes underbody retainer plates with weld nuts for seat hold down, trunk hinge, gas tank straps and strap retainers, and outer seat belt plates with rivets.

M-3525	56-60	Underbody retainer plate kit (22 pcs) .....	109.99
M-3524	61-62	Underbody retainer plate kit (18 pcs) .....	104.99
I-1980	53-62	Seat track underbody nut plates, 53-60 14 per car & 61-62 6 per car .....	ea 6.99
I-1199	61-62	Seat track front underbody nut plate (LH or RH) .....	12.99



M-3524

## Body Mount Reinforcements

M-3176	56-58	Body mount front reinforcement, aluminum (LH or RH) (A).....	26.99
M-2960	59-62	Body mount front reinforcement, steel (LH or RH) (A).....	24.99
M-3526	56-62	Body mount inside rear steel reinforcement, located at base of door sill (LH or RH) .....	24.99
M-3271	56-58	Body mount rear reinforcement, aluminum (LH or RH) (A).....	26.99
M-2959	59-62	Body mount rear reinforcement, steel (LH or RH) (A).....	24.99
M-3175	56-58	#1 Body mount strap (2 per car) (A) .....	ea 12.99
M-3174	59-62	#1 Body mount strap (2 per car) (A) .....	ea 12.99

Note: '56-58 body mount reinforcements were aluminum; '59-62 were steel. Steel and aluminum body mount reinforcements are interchangeable.

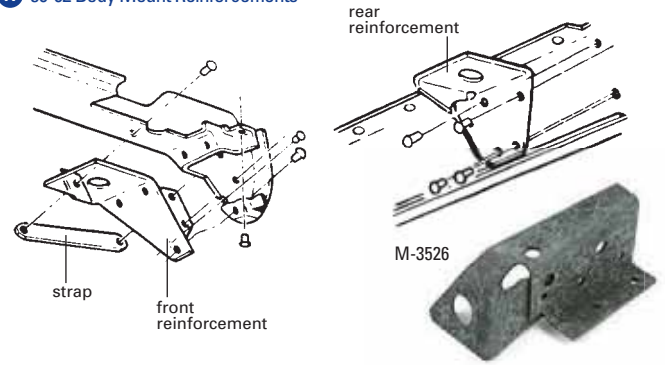


M-3176

M-2960

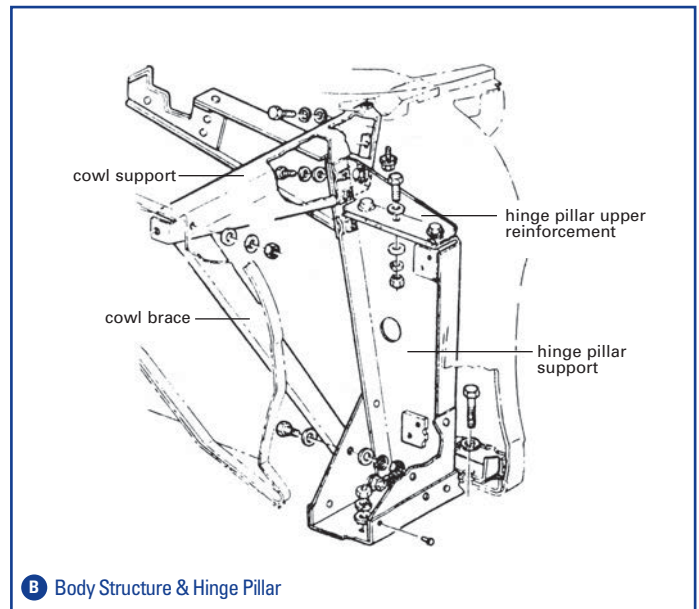
M-2959

### A 56-62 Body Mount Reinforcements



## Body Structure & Hinge Pillar

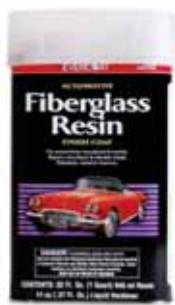
M-3925	56-57	Cowl support reinforcements (2) (B) .....	99.99
M-3926	56-62	Cowl support braces (2) (B).....	35.99
M-3923	56-62	Hinge pillar metal supports (2) (B) .....	189.99
M-3924	56-62	Hinge pillar upper metal reinforcements (2) (B) .....	44.99
M-4200	57-62	Rocker inner metal support (LH or RH) (B) .....	124.99



### B Body Structure & Hinge Pillar

Left-hand ("LH") = driver's side; right-hand ("RH") = passenger side





R-940



R-937



R-938



R-939



MG-246



R-941

## Fiberglass Repair Materials

Fiberglass repair materials generally have a recommended shelf life of three (3) months. Note hazardous and/or aerosol products such as paint and fiberglass cannot be shipped outside of the continental USA, or by air freight to any destination.

### SMC Fiberglass Resin

Superior adhesion on SMC and fiberglass panels. Polyester-based resin formulated to use with fiberglass mat, cloth and tape. Waterproof and impact resistant. Cures to a sand able surface much faster than regular fiberglass resin. White cream hardener included.

MG-246 SMC fiberglass resin, quart ..... 54.99

### Fiberglass Resin

Heavy, thixotropic formula that will not run or sag. Cures to a non-tacky surface. Can be filled, sanded or drilled. Liquid hardener included.

R-940 Fiberglass resin, quart ..... 29.99

### Spray Gelcoat

Seals loose or exposed fiberglass strands on non-SMC panels - plus Spay Gelcoat's unmatched sealing qualities prevent body filler from bleeding through to ruin your perfect paint! Hardener included.

R-918 Spray Gelcoat, gallon ..... 119.99

R-917 Spray Gelcoat, quart ..... 34.99

### Fiberglass "Chrome-A-Lite" Body Filler

Gold colored, high quality, lightweight body filler with smooth texture providing easy application, excellent adhesion and superb featheredge. Blue crème hardener included.

R-937 Chrome-A-Lite body filler, quart ..... 19.99

### Fiberglass Reinforced Body Filler

Best known for its bridging capabilities in rebuilding shattered fiberglass. Formulated with long strands of chopped fiberglass, double strength of standard fillers. Blue cream hardener included.

R-938 Fiberglass reinforced body filler, quart ..... 26.99

### Vette Panel Adhesive/Body Filler

Polyester body filler for fiberglass panels. Prevents repair mapping on seam lines over fiberglass repairs. Not for use on SMC panels. Blue cream hardener included.

R-939 Fiberglass reinforced body filler, quart ..... 59.99

### 3M 08115 Panel Bonding Adhesive

Two-part epoxy used to bond steel, aluminum, SMC and traditional fiberglass body panels. 200 ml cartridge designed to be used with applicator.

R-941 3M 08115 panel bonding adhesive, 200 ml ..... 46.99

R-942 Adhesive dispenser tool ..... 49.99

### Q-Bond Adhesive Repair Kit

Ultra-strong adhesive. Includes filling powders to be used as thickening agents. Will bond just about anything. 10 second drying time. Can be grinded, filed, sanded and painted. Includes (2) .35oz bottles.

MG-247 Q-Bond adhesive repair kit ..... 14.99

## 53-55 Body Panels

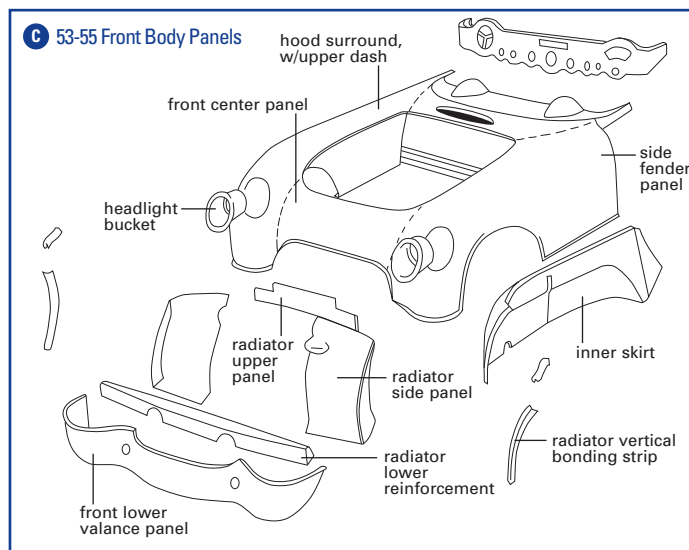
All '53 body panels have original-style fiberglass cloth weave to match the factory texture on the underside. '54-55 panels are hand laid unless otherwise specified.

### Hood, Surround & Nose Panels

HFG-519	53-54	Hood (hl).....	truck	1199.99
HFG-520	55	Hood (hl).....	truck	1199.99
HFG-511	53-55	Hood surround, w/upper dash (hl) (C).....	truck	1279.99
HFG-512	53-55	Hood surround, center wheels forward (hl).....	truck	749.99
HFG-514	53-55	Hood surround, front center panel only (hl) (C).....		519.99
HFG-515	53-55	Front lower valance panel (hl) (C).....		519.99
HFG-517	53-55	Headlight bucket - fiberglass (LH or RH) (hl) (C).....		209.99
HFG-516	53-55	Side fender panel (LH or RH) (hl) (C).....		699.99

### Inner Skirts

PFG-410 53-54 Inner skirt (LH or RH) (pm) (C).....ea 439.99



### Radiator Support

HFG-521	53-55	Radiator lower reinforcement (hl) (C).....		199.99
PFG-411	53-55	Radiator side panel (LH or RH) (pm) (C).....		134.99
PFG-412	53-55	Radiator vertical bonding strip (LH or RH) (pm) (C).....		94.99
PFG-430	53-55	Radiator side panel to upper fender horizontal bonding strip (LH or RH) (pm).....		36.99
HFG-534	53-55	Radiator support reinforcement surround panel, 1-piece design incorporates four pieces into an original-appearance 1-piece assembly.....		369.99
PFG-484	53-55	Radiator support upper panel (C).....		94.99
FG-108	53-62	Radiator support grommet, 1 3/8" diameter.....		5.49

### Firewall & Interior Panels

HFG-522	53-55	Lower dash panel - fiberglass only.....		269.99
M-3527	53-55	Lower dash panel metal reinforcement.....		129.99
F-686	53-55	Shifter tunnel (pm).....		359.99

### Rear Fiberglass

HFG-518 53-55 Taillamp housing - fiberglass (hl).....ea 239.99

## 56-57 Front Body Panels

### Hood, Surround & Nose Panels

PFG-434	56-57	Door hinge pillar cover (LH or RH) (pm) .....	229.99
PFG-415	56-57	Headlight bucket fiberglass retainer (LH or RH) (pm) (D).....	66.99
PFG-001	56-57	Hood (pm).....truck	919.99
PFG-421	56-57	Hood surround, includes upper dash (pm) (D).....truck	1199.99
PFG-422	56-57	Hood surround to nose panel corner bonding strip (LH or RH) (pm) (D) .....	59.99
HFG-524	56-57	Fender scoop (LH or RH) (hl) (D).....	119.99
PFG-424	56-57	Fender scoop bezel retainer (LH or RH) .....	66.99
PFG-425	56-57	Grill opening corner bonding strip (LH or RH) (pm) (D) .....	32.99
PFG-426	56-57	Lower nose panel (D) .....	629.99
PFG-427	56-57	Side fender panel (LH or RH) (pm) (D).....	549.99
PFG-428	56-57	Side fender panel bonding strip (LH or RH) (pm) (D).....	124.99
PFG-429	56-57	Wheel opening front lip/bonding strip (LH or RH) (pm) (D) .....	94.99

#### PRESS MOLDED VS. HAND LAID

Press molded panels "(pm)" are pressure-formed in matched molds as original, creating an exceptionally strong part smooth on both sides. Hand laid panels "(hl)" are built by layering fiberglass mat and resin into a single mold. The result is a high-strength part of uniform thickness with a smooth surface on the outside only. To help keep your Corvette as original as possible, Zip offers as many press molded pieces as are available. Before starting any repair or restoration, consider using press molded panels – the extra money spent now for "correctness" will make your Corvette more valuable in the long run.

### Pre-Assembled Press Molded Front End

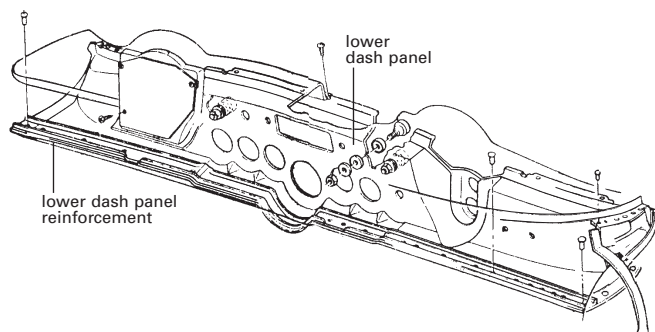
Multi-piece front end is put together using correct color and finish press molded panels. Includes bonding strips, reinforcements and inner skirts. Panels and reinforcements are jig-aligned and assembled using correct OE-style rivets and bonding adhesives. Prepaid only. Ships truck freight collect (\$150.00 crate fee). No Discount.

F-570	56-57	Pre-assembled front end.....	6399.99
-------	-------	------------------------------	---------

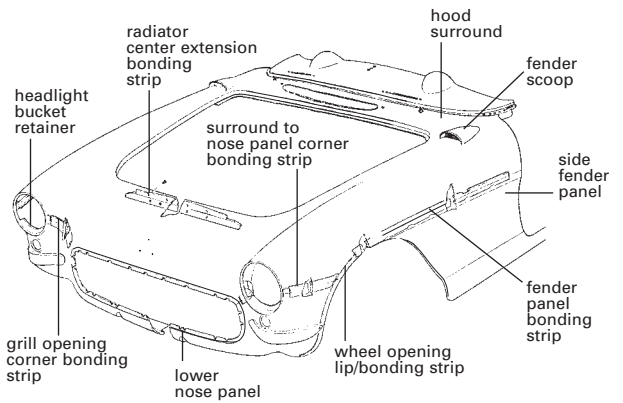
### Firewall & Interior Panels

MF-443	57	Acrylic paint warning decal .....	4.49
HFG-522	56-57	Lower dash panel – fiberglass only (E).....	269.99
M-3527	56-57	Lower dash panel metal reinforcement (E).....	129.99
HFG-513	56-57	Upper firewall panel (hl) (F).....	249.99
FG-100	56-57	Firewall & body grommets (24 pcs).....	64.99
FG-107	53-62	Firewall grommet, 7/8" diameter .....	ea 3.99
SF-755	53-62	Firewall grommet set, 7/8" diameter (9).....	24.99
FG-108	53-62	Firewall grommet, 1 3/8" diameter .....	ea 5.49
SF-756	53-62	Firewall grommet, 4-hole.....	6.99
PFG-384	56-60	Shifter tunnel (hl).....	159.99
PFG-501	56-60	Shifter tunnel (pm).....	299.99

#### E 56-57 Firewall & Interior Panels



#### D 56-57 Front Body Panels

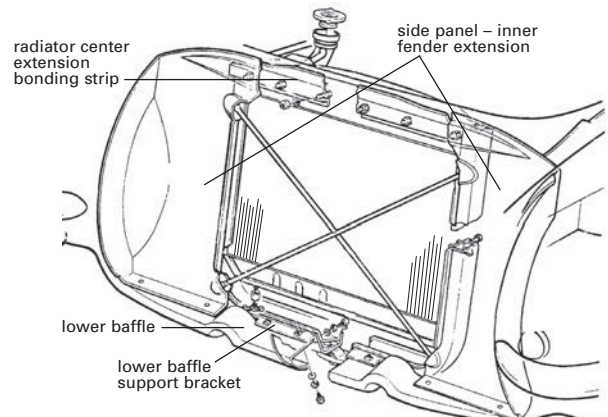


### Radiator Support & Mounting

PFG-416	56-57	Radiator lower baffle (pm) (F) .....	159.99
PFG-407	56-57	Radiator lower baffle support bracket (F).....	47.99
BL-520	56-57	Radiator lower baffle support bracket mount kit (21 pcs).....	8.49
PFG-101	56-57	Radiator side panel fender extension (LH or RH) (pm) (F).....	139.99
PFG-430	56-57	Radiator side panel to upper fender horizontal bonding strip (LH or RH) (pm) (F) .....	36.99
PFG-431	56-57	Radiator side panel to side fender vertical bonding strip (LH or RH) (pm) (F) .....	92.99
PFG-432	56-57	Radiator upper center extension bonding strip (pm) (D)(F).....	94.99
HFG-534	56-57	Radiator support reinforcement surround panel, 1-piece design incorporates four pieces into original-appearance.....	369.99



#### F 56-57 Radiator Support & Mounting

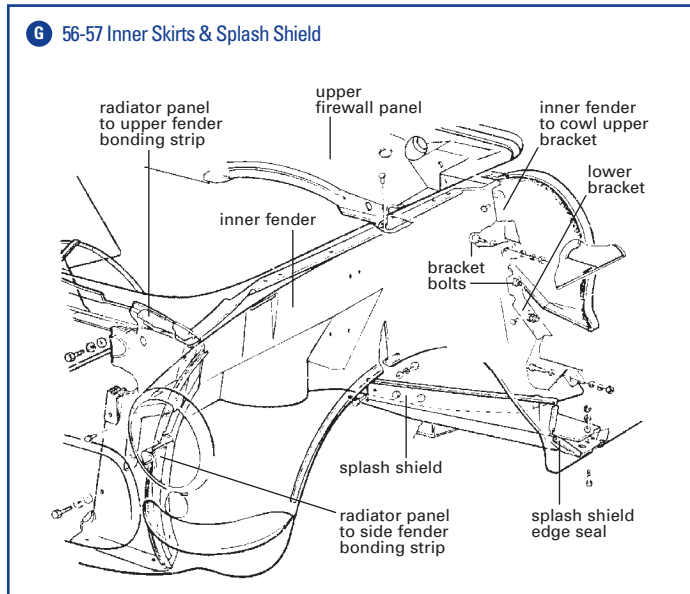


Left-hand ("LH") = driver's side; right-hand ("RH") = passenger side



## Inner Skirts

HFG-100	55-57	Inner fender skirt (LH or RH) (pm) (G).....	449.99
M-2929	56-57	Inner fender to cowl lower brackets (2) (G).....	57.99
M-2930	56-57	Inner fender to cowl upper bracket (2) (G).....	57.99
BL-450	56-57	Inner fender to cowl bracket bolt kit, "TR" headmark (60 pcs) (G).....	14.99



## Splash Shields

SU-15	56	Splash shields (2 pcs) (G).....	79.99
SU-16	57	Splash shields (4 pcs) (G).....	99.99
BL-311	53-57	Splash shield mount kit, clutch head screws (47 pcs).....	15.99
WS-4424	53-62	Splash shield edge seals (2) (G).....	20.99



## 56-60 Rear Body Panels

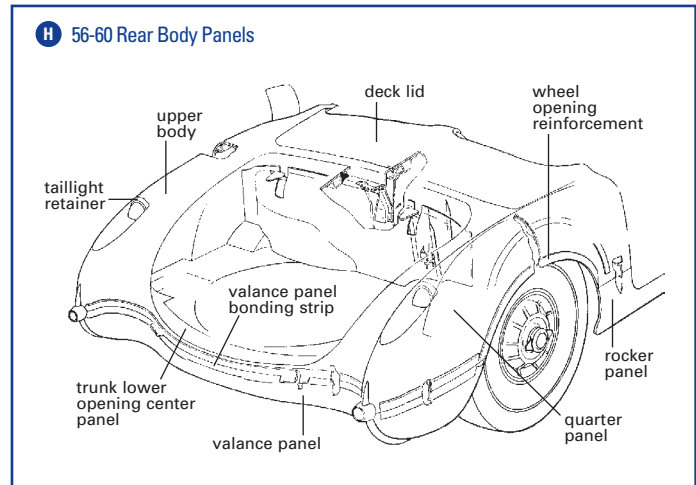
PFG-419	56-60	Deck lid (pm) (H).....	679.99
HFG-525	56-60	Door outer skin (LH or RH) (hl).....	419.99
PFG-440	56-60	Lower rocker panel (LH or RH) (pm) (H).....	349.99
PFG-482	56-60	Lower rocker panel reinforcement (LH or RH) (pm).....	179.99
HFG-526	56-60	Rear upper body, 1-piece (hl) (H).....truck	1149.99
HFG-527	56-60	Rear quarter panel (hl) (H).....	429.99

Note: HFG-527 can be used on '56-57 with slight modification.

PFG-499	56-60	Rear quarter panel front bonding strip (LH or RH) (pm).....	59.99
PFG-502	56-57	Rear quarter panel rear bonding strip (LH or RH) (pm).....	94.99
PFG-500	58-60	Rear quarter panel rear bonding strip (LH or RH) (pm).....	59.99
PFG-441	56-60	Rear quarter panel wheel opening reinforcement (LH or RH) (pm) (H).....	94.99
PFG-102	56-60	Rear quarter panel 6" lip repair, removes flared fenders (LH or RH) (pm).....	219.99
HFG-528	56-60	Rear valance panel, outer (hl) (H).....	489.99
HFG-529	58-60	Rear valance panel bonding strip (hl) (H).....	94.99
PFG-442	56-60	Taillight retainer (pm) (H).....	79.99
PFG-417	56-58E	Tailpipe lower cover (LH or RH) (pm).....	59.99
PFG-418	56-58E	Tailpipe upper cover (LH or RH) (pm).....	59.99

Note: Tail pipe covers mount in trunk compartment.

EX-750	58L-60	Tailpipe metal housing (LH or RH).....	52.99
PFG-497	56-60	Trunk spare tire filler panel (pm).....	249.99
TR-135	56-60	Trunk spare tire filler panel w/latch adapter installed (hl).....	169.99
SF-541	56-60	Trunk spare tire filler panel screws (17).....	6.69
PFG-414	56-60	Trunk lid (pm) (ND).....truck	539.99
HFG-530	56-60	Trunk lower opening center panel (hl) (H).....	239.99



## 58-62 Front Body Panels

### Hood

PFG-433	58	Hood (pm).....	truck	1279.99
PFG-021	59-60	Hood (pm).....	truck	1279.99
PFG-022	61-62	Hood (pm).....	truck	1279.99

### Hood Surround & Fender Tops

F-687	53-62	Cowl vent door block-off fiberglass.....		149.99
PFG-434	58-62	Door hinge pillar cover (LH or RH) (pm) .....		229.99
PFG-113	58-61	Fender top, full fender lower windshield (LH or RH) (pm) .....		579.99
PFG-115	58-62	Fender top, front half only (LH or RH) (pm) .....		249.99
PFG-379	58-62	Fender top to nose corner bonding strip (LH or RH) (pm) (I) .....		66.99
PFG-498	58-62	Fender top trim reinforcement (pm) (I).....	ea	89.99
PFG-374	58-62	Headlamp eyebrow upper bonding strip (LH or RH) (pm) (I) .....		66.99
PFG-108	58-62	Hood surround (pm) (I).....	truck	1279.99
PFG-375	58-62	Hood surround center nose panel only (pm) (I).....		209.99
PFG-373	58-62	Hood surround center nose to fender top panel bonding strip (pm).....	ea	52.99

### Nose Panels

DB-720	59L-62	Front brake ducts, fiberglass, mounts into eyebrow area (pair).....		109.99
PFG-109	58-62	Nose panel, complete (pm) (\$45.00 crate fee) (I) .....		1099.99
PFG-110	58-62	Nose panel, bumper down (pm).....		749.99
PFG-382	58-62	Nose panel center top extension (pm).....		94.99
PFG-381	58-62	Nose panel center lower panel (pm) (I) .....		184.99
PFG-380	58-62	Nose panel to hood surround bonding strips (LH or RH) (I) .....		79.99
PFG-121	58-62	Radiator lower baffle (pm) (I) .....		109.99
BL-626	58-59	Radiator lower baffle mount hardware (26 pcs).....		11.99
PFG-407	58-59	Radiator lower baffle support bracket.....		47.99
PFG-122	60	Radiator lower baffle support bracket.....		47.99
BL-520	58-60	Radiator lower baffle bracket mount kit (21 pcs) .....		8.49
BL-559	61-62	Radiator lower baffle bracket mount kit (21 pcs) .....		8.99

Left-hand ("LH") = driver's side; right-hand ("RH") = passenger side



## Side Fender Panels & Wheel Openings

PFG-111	58-61	Side fender panel (LH or RH) (pm) (I) .....		549.99
PFG-112	62	Side fender panel (LH or RH) (pm) (I) .....		549.99
PFG-436	58-61	Side fender panel filler (LH or RH) (pm) (I) .....		52.99
PFG-437	62	Side fender panel filler (LH or RH) (pm) (I) .....		52.99
PFG-118	58-61	Side fender to surround bonding strip (LH or RH) (pm) (I).....		114.99
PFG-119	62	Side fender to surround bonding strip (LH or RH) (pm) (I).....		149.99
PFG-377	58-61	Wheel opening front lip/bonding strip (LH or RH) (pm) (I).....		94.99
PFG-376	62	Wheel opening front lip panel (LH or RH) (pm) (I).....		114.99

### PRESS MOLDED VS. HAND LAID

Press molded panels "(pm)" are pressure-formed in matched molds as original, creating an exceptionally strong part smooth on both sides. Hand laid panels "(hl)" are built by layering fiberglass mat and resin into a single mold. The result is a high-strength part of uniform thickness with a smooth surface on the outside only. To help keep your Corvette as original as possible, Zip offers as many press molded pieces as are available. Before starting any repair or restoration, consider using press molded panels – the extra money spent now for "correctness" will make your Corvette more valuable in the long run.

### Pre-Assembled Press Molded Front End

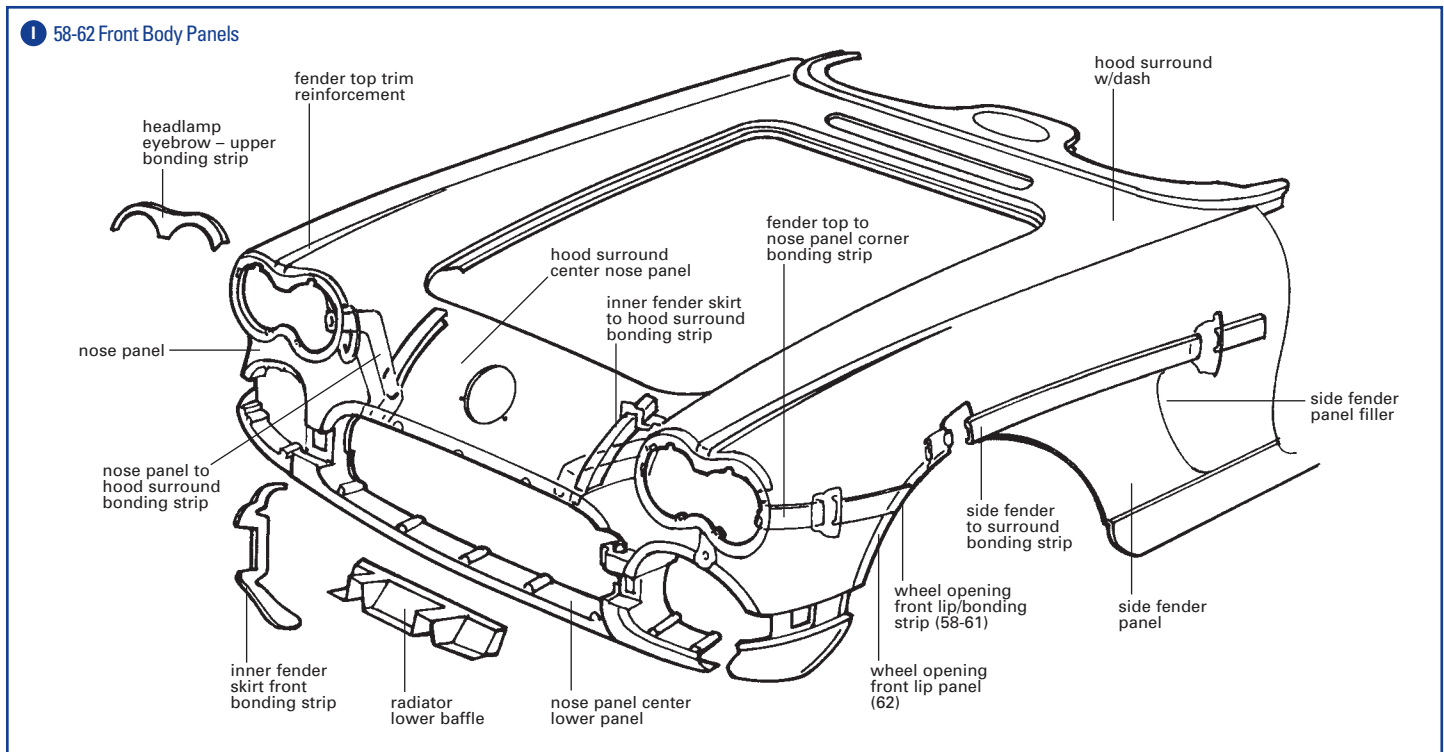
Multi-piece front end is put together using correct color and finish press molded panels. Includes bonding strips, reinforcements and inner skirts. Panels and reinforcements are jig-aligned and assembled using correct OE-style rivets and bonding adhesives. Ships truck freight collect (\$150.00 crate fee). No Discount.

F-506	58-61	Pre-assembled front end.....		6399.99
F-560	62	Pre-assembled front end.....		6399.99

### 56-62 Complete 1-Piece Front End

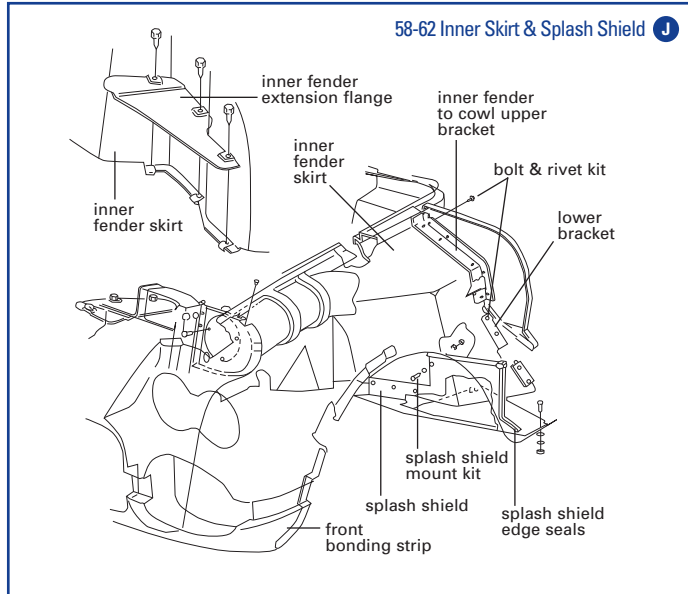
Hand laid, 1-piece front ends reduce restoration time and ensure seamless body lines. High-quality construction results in a ripple free finish. Predrilled and cut for grills, moldings and emblems. Prepaid only. Ships truck freight collect (\$150.00 crate fee). No Discount.

HFG-003	56-57	1-piece front end, includes dashboard .....		1599.99
HFG-014	58-61	1-piece front end.....		2099.99
HFG-509	62	1-piece front end.....		2099.99



## Inner Skirts

PFG-107	58-62	Inner fender skirt (LH or RH) (J) .....	549.99
PFG-378	58-62	Inner fender skirt front bonding strip (LH or RH) (pm) (I)(J) .....	99.99
PFG-373	58-62	Inner fender skirt to hood surround bonding strip (LH or RH) (pm) (I) .....	52.99
M-2932	58-62	Inner fender to cowl lower brackets (2) (J) .....	57.99
M-2939	58-59E	Inner fender to cowl upper brackets (2) (J) .....	57.99
M-2931	59L-62	Inner fender to cowl upper brackets (2) (J) .....	57.99
M-3467	58	Inner fender extension flange (J) .....	ea 52.99
SF-763	58	Inner fender extension flange hardware (6 pcs) .....	5.59
BL-451	58-59E	Inner fender to cowl bracket bolt & rivet kit (16 pcs) (J) .....	19.99
BL-452	59L-62	Inner fender to cowl bracket bolt & rivet kit (24 pcs) (J) .....	24.99



## Splash Shields

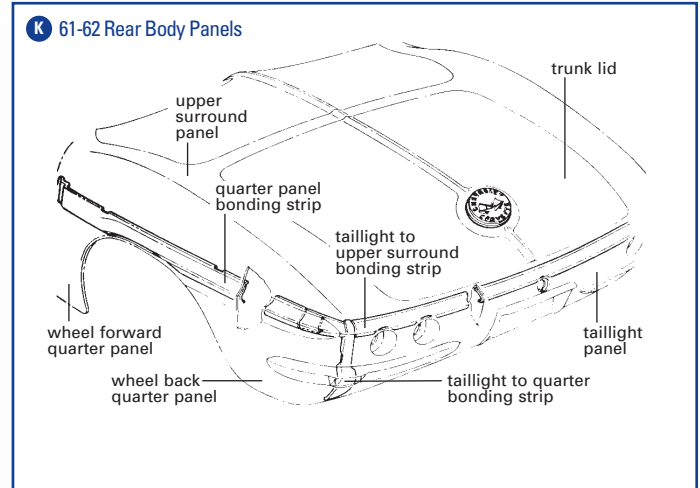
SU-1016	58-62	Splash shield (LH or RH) (J) .....	49.99
BL-347	58-60	Splash shield mount kit, clutch head screws (52 pcs) (J) .....	24.99
BL-540	61-62	Splash shield mount kit, "TR" head (56 pcs) .....	15.99
WS-4424	53-62	Splash shield edge seals (2) (J) .....	20.99

## Firewall & Interior Panels

PFG-438	58-62	Firewall upper panel (pm) (L) .....	569.99
FG-101	58-62	Firewall & body grommets (25 pcs) .....	64.99
FG-107	53-62	Firewall grommet, 7/8" diameter .....	ea 3.99
SF-755	53-62	Firewall grommet set, 7/8" diameter (9) .....	24.99
FG-108	53-62	Firewall grommet, 1 3/8" diameter .....	ea 5.49
SF-756	53-62	Firewall grommet, 4-hole .....	6.99
PFG-384	56-60	Shifter tunnel (hl) .....	159.99
PFG-501	56-60	Shifter tunnel (pm) .....	299.99
PFG-483	61-62	Shifter tunnel (pm) .....	389.99

## 61-62 Rear Body Panels

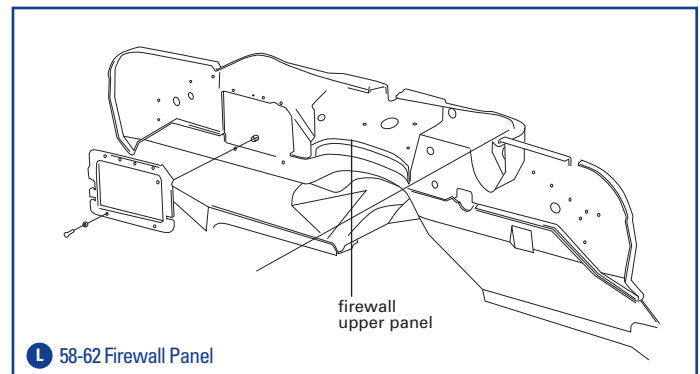
HFG-531	61	Door outer skin (LH or RH) (hl) .....	419.99
HFG-541	62	Door outer skin (LH or RH) (hl) .....	419.99
PFG-461	61-62	Rocker panel (LH or RH) (pm) .....	349.99
PFG-482	61-62	Rocker panel reinforcement (LH or RH) (pm) .....	179.99
HFG-532	61-62	Rear upper surround panel (pm) (K) .....	truck 629.99
PFG-104	61-62	Rear lower quarter - wheel back (LH or RH) (pm) (K) .....	279.99
HFG-533	61-62	Rear lower quarter - wheel forward (LH or RH) (pm) (K) .....	249.99
PFG-443	61-62	Rear lower quarter bonding strip (LH or RH) (pm) (K) .....	129.99
PFG-105	61-62	Rear quarter 8" lip repair, removes flared fenders (LH or RH) (pm) .....	219.99
PFG-444	61-62	Taillight panel (pm) (K) .....	629.99
PFG-445	61-62	Taillight panel to rear quarter vertical bonding strip (LH or RH) (pm) (K) .....	94.99
PFG-446	61-62	Taillight panel to upper surround bonding strip (pm) (K) .....	149.99



## Body Assembly Rivets

Correct soft aluminum, round head rivets as used in complete body assembly and attachment of body reinforcements. Set of 50.

M-2680	53-62	Countersunk round head rivets, aluminum, 3/16" diameter x 9/16" long (50) .....	8.99
M-2681	53-62	Round head rivets, aluminum, 3/16" diameter x 9/16" long (50) .....	8.99





# Hood Components

## 53-57 Hood Hinge & Support

M-2687	53-57	Hinge assemblies (car set) (M)	344.99
BL-402	53-57	Hinge to hood mount bolts, "WB" headmark (4) (M)	7.99
BL-674	53-57	Hinge to hood bracket shoulder bolt, 4 per car (M)	3.99
M-171	53-57	Pop-up assemblies (pair) (M)	92.99
BL-453	53-57	Pop-up bolts & washers (8 pcs) (M)	3.99
M-2683	53-57	Support (M)	79.99
BL-454	53-57	Support mount bolts (8 pcs) (M)	5.49

M-177

M-3327



M-3529

M-3530



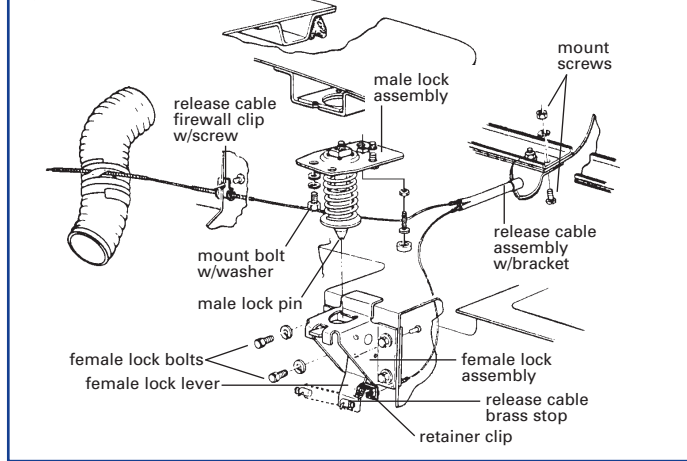
## 53-57 Female Hood Latch

M-2963	53-57	Female lock assembly (LH or RH) (N)	99.99
M-3787	53-57	Female lock nut plate (on body)	ea 9.99
M-3327	53-57	Female lock repair kit, includes new pin, spring & clip (does one latch)	13.99
BL-313	53-57	Female lock bolts, "TR" head (2) (2 required) (N)	9.99
M-3529	53-57	Female lock lever, LH (N)	35.99
M-3530	53-57	Female lock lever, RH (N)	41.99
M-177	53-57	Female lock springs (2)	14.99
M-3325	53-57	Hood bumper adjusting screws w/washers & nuts (6 pcs)	5.49
WS-4515	53-57	Hood bumper rubber caps, correct (2)	3.99

## 53-57 Male Hood Latch

M-189	53-57	Male lock assemblies (pair) (N)	84.99
M-3532	53-57	Male lock pin only (N)	ea 15.99
BL-312	53-57	Male lock mount bolts w/washers, "C" head (18 pcs) (N)	10.99

### N 53-57 Hood Latch

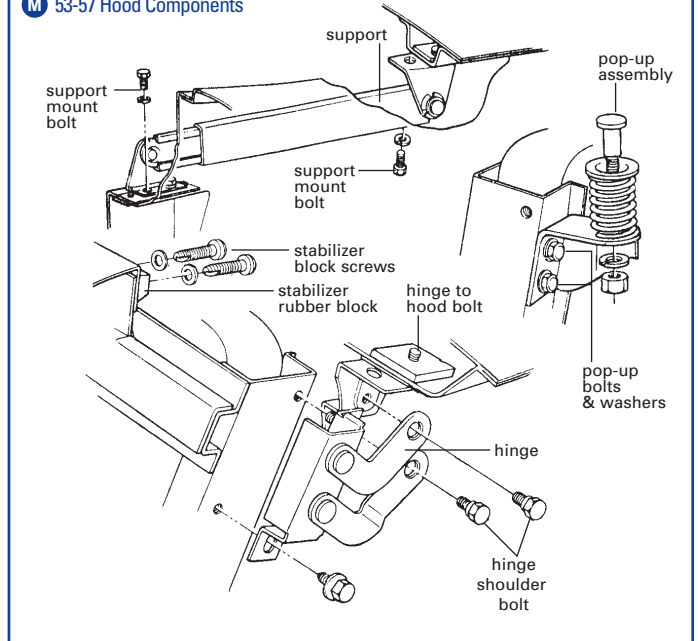


## 53-57 Hood Release Cable

M-155	56-57	Hood release cable w/bracket (N)	142.99
M-3930	56-57	Hood release cable w/bracket, includes "V" groove	216.99
E-1116	56-57	Release cable firewall clips w/screws, (6) 1 1/4" clips	19.99
BL-433	56-57	Release cable mount screws, clutch head screws w/washers & nuts (4 pcs) (N)	3.99
M-191	53-57	Release cable to latch retainer clips w/screws (4) (N)	19.99
M-2607	53-57	Release cable brass stops w/clutch head screws (2) (N)	7.99



### M 53-57 Hood Components



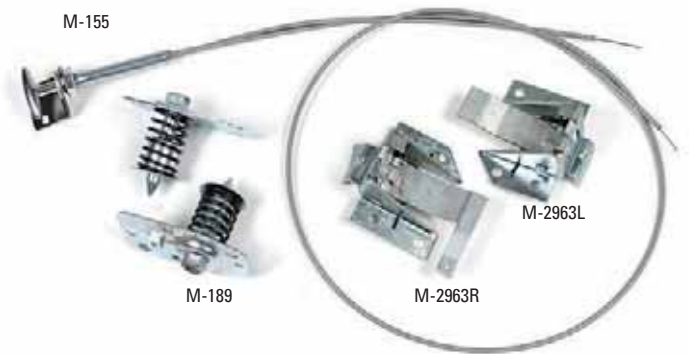
## Stabilizer Blocks

M-2723	56-57	Stabilizer rubber blocks, replacement for 53-55 (2) (M)	21.99
SF-523	56-57	Stabilizer block screws (4 pcs) (M)	4.49



## 58-62 Hood Hinge & Support

M-2533	59-60	Air dam, mounts to front of hood (O)	29.99
M-193	58-62	Hinge (LH or RH) (O)	29.99
BL-340	58-62	Hinge bolts, "C" headmark (10) (O)	19.99
M-3587	58-62	Hinge repair kit, includes rivet & 4-tanged washer	7.99
M-3324	58E	Support, RH mount (O)	72.99
M-1111	58-62	Support, 58 LH mount & 59-62 All (O)	72.99
M-3673	53-62	Support pin, prevents hood from closing in wind	10.99
M-3322	60-62	Support brace reinforcement	35.99
BL-686	60-62	Support brace reinforcement hardware	2.99
BL-314	58-62	Support mount hardware, includes (2) clutch head & (2) "TR" headmark bolts (8 pcs) (O)	6.99
M-3528	58-62	Support repair kit, semi-tubular rivet & 4-tanged washer	7.99



Left-hand ("LH") = driver's side; right-hand ("RH") = passenger side

## 58-62 Male Hood Latch

M-187	58-59E	Male lock assembly	ea	75.99
M-2455	59L-62	Male lock assembly	ea	75.99
M-3531	58-59E	Male lock pin only	ea	15.99
M-3321	59L-62	Male lock pin only	ea	14.99
SPR-131	59L-62	Male lock spring	ea	5.99
M-3166	59L-62	Male lock spring lower seat	ea	9.99
M-3167	59L-62	Male lock spring upper retainer	ea	5.99
M-3990	59L-62	Male lock pop-up assembly, includes lower seat, pin, spring & spring retainer, "gold" color	ea	29.99

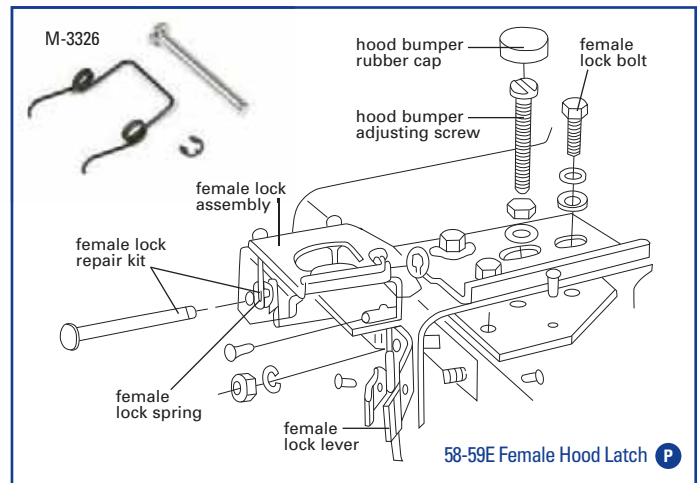
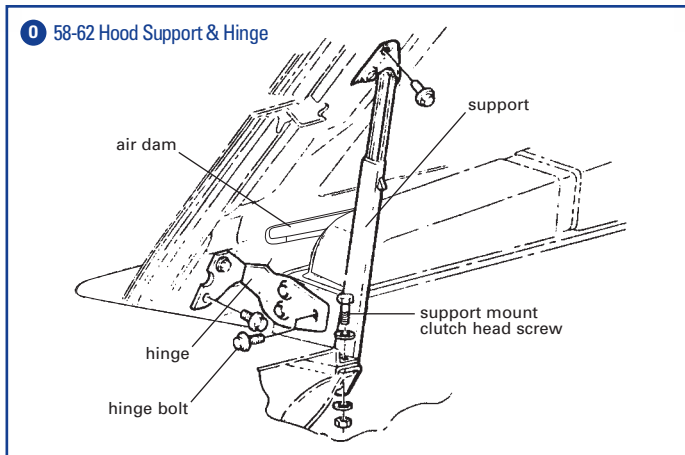
Note: '59 Corvettes after S/N 8500 use late-style hood latches.

BL-312	58E	Male lock mount bolts w/washers, "C" head (18 pcs)	10.99
BL-339	58L-62	Male lock mount bolts, "C" headmark (6)	14.99



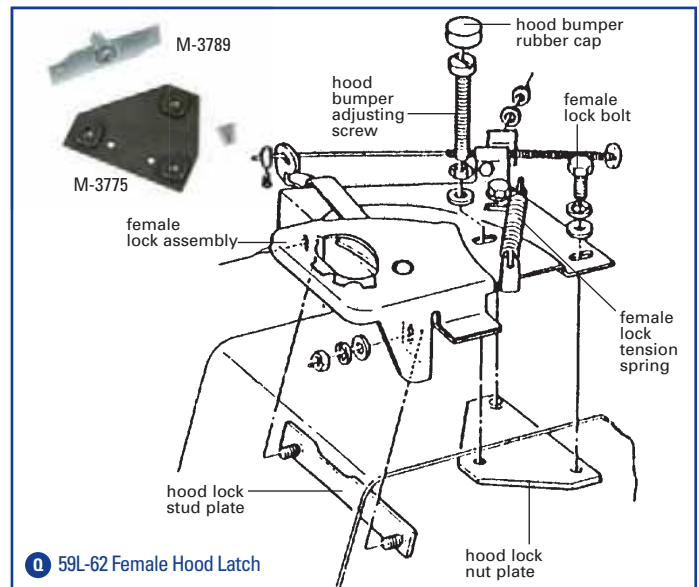
## 58-62 Hood Release Cable

M-156	58-62	Hood release cable	ea	89.99
M-3931	58-62	Hood release cable, includes "V" groove	ea	129.99
M-3918	58-62	Release cable handle only	ea	26.99
M-190	58L-59	Release cable to female lock bracket w/retainer clamp & screw (LH or RH)	ea	21.99
M-185	58-59	Release cable retainer clamp only	ea	3.99
M-3788	58-59	Release cable to lock retainers w/screws (4 pcs)	ea	14.99
M-3328	60-62	Release cable to lock retainers w/screws (8 pcs)	ea	11.99
WS-273	58-62	Release cable grommets (2)	ea	12.99
BL-432	58-62	Release cable mount nut & washer (2 pcs)	ea	4.49
M-2607	58-62	Release cable brass stops w/clutch head screws (2)	ea	7.99



## 58-62 Female Hood Latch

M-186	58-59E	Female lock assembly (P)	ea	75.99
M-3874	59L-62	Female lock assemblies (car set) (Q)	ea	155.99
M-3775	59L-62	Female lock nut plate (Q)	ea	10.99
M-3789	59L-62	Female lock front stud plate (LH or RH) (Q)	ea	12.99
M-3326	58-59E	Female lock repair kit, includes new pin, spring & clip (does one latch) (P)	ea	13.99
BL-552	58-62	Female lock bolts, "TR" headmark (6) (P)(Q)	ea	7.99
M-3514	58E	Female lock lever, used until 12-11-57 (P)	ea	32.99
M-3515	58L-59	Female lock lever (P)	ea	32.99
M-178	58-59E	Female lock spring (P)	ea	7.99
SPR-132	59L-62	Female lock tension spring (Q)	ea	8.99
Note: '59 Corvettes after S/N 8500 use late-style hood latches.				
TL-179	59L-62	Hood alignment tool	ea	26.99
M-3325	58-62	Hood bumper adjusting screws w/washers & nuts (6 pcs) (P)	ea	5.49
WS-4515	58-62	Hood bumper rubber caps, correct (2) (P)(Q)	ea	3.99



## AcustiHOOD Hood Insulation

Insulate your engine compartment while adding a custom look to your under hood that is sure to please the car show judges. Pre-cut heat insulation designed to lie inside the hood, ABS AcustiHood panel then covers for finished look. Available in smooth version or with 3D molded GM licensed Corvette emblem.

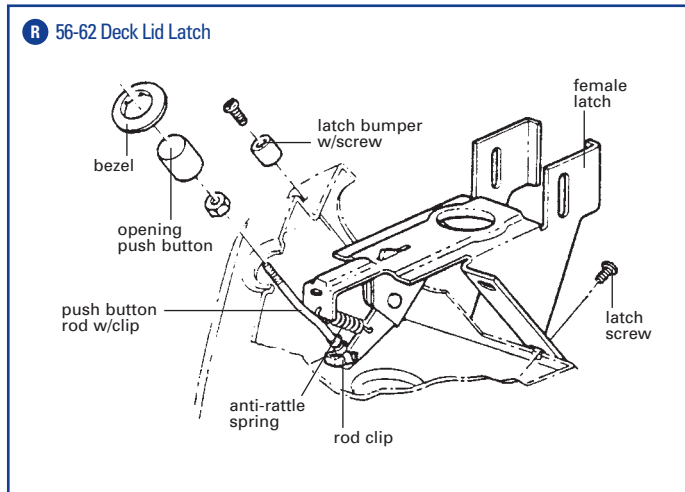


X-3744	56-57	AcustiHOOD insulation (smooth)	ea	199.99
X-3745	56-57	AcustiHOOD insulation (C1 Emblem)	ea	279.99
X-3742	58-62	AcustiHOOD insulation (smooth)	ea	199.99
X-3743	58-62	AcustiHOOD insulation (C1 Emblem)	ea	279.99

## Deck Lid

### Deck Lid Latch

CT-359	58-62	Female latch assembly (R)	115.99
CT-279	58-62	Female latch anti-rattle spring (R)	6.99
DR-537	53-62	Female latch bumpers w/screws (car set) (R)	6.99
CT-278	58-62	Female latch screws (4 pcs) (R)	3.99
CT-358	53-57	Female latch spring	14.99
CT-263	53-57	Latch striker	19.99
SF-725	53-57	Latch striker mount hardware (4 pcs)	3.49
CT-290	53-57	Latch striker shim	8.99
CT-357	58-62	Male lock assembly	54.99
CT-287	58-62	Male lock screws (3 pcs)	3.99
SPR-120	58-62	Male lock "pop-up" spring	8.99
CT-83	57-62	Opening push button (R)	24.99
CT-407	58-62	Opening push button rod w/clip (R)	17.99
CT-289	58-62	Opening push button rod clip (R)	2.49
CT-84	53-62	Opening push button bezel (R)	20.99

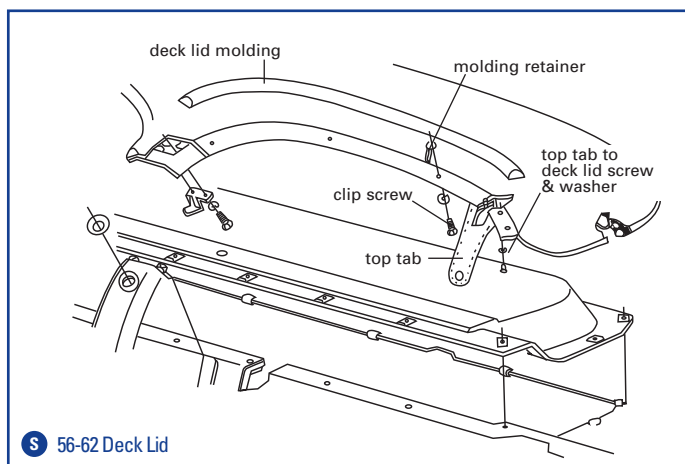


### Deck Lid Moldings

CT-218	56-62	Deck lid molding clip screws (8) (S)	9.99
CT-96	56-62	Deck lid molding retainers, (8) clips & (8) screws (S)	49.99

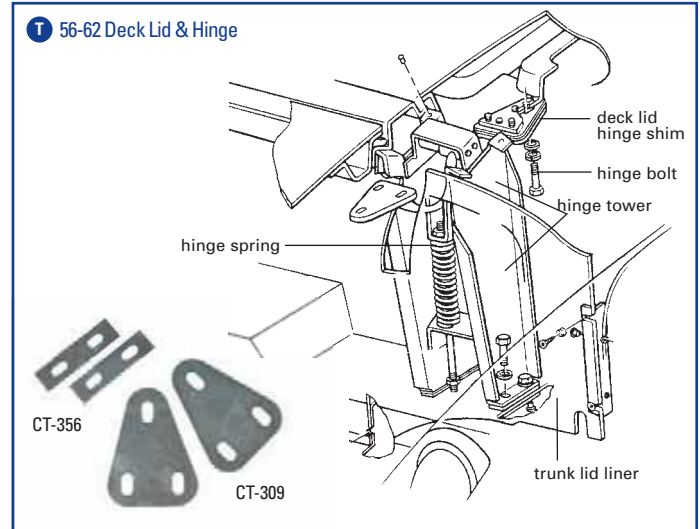
### Deck Lid Top Tabs

I-3019	56-57	Top tabs, slider-type, specify color (2) (S)	69.99
CT-255	58	Top tabs, slider-type, specify color (2) (S)	92.99
I-206	59-62	Top tabs, slider-type, specify color (2) (S)	47.99
SF-789	56-62	Top tab snaps w/screws, correct (4 pcs)	4.99
SF-680	56-62	Top tab snaps, slides on screw head as original (2)	9.99
ZSF-467	56-62	Top tab to deck lid screws & washers (8 pcs) (S)	1.99



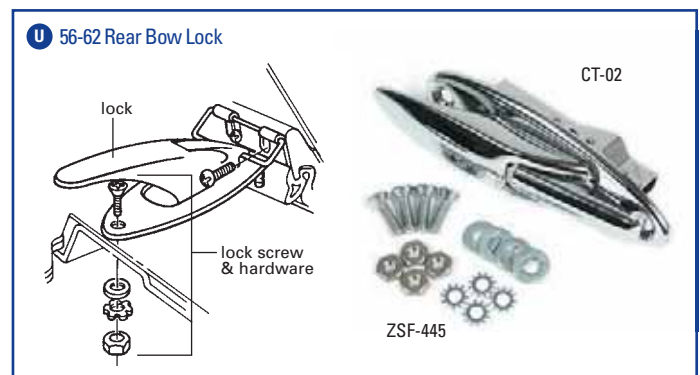
## Deck Lid & Hinge

PFG-419	56-60	Deck lid (pm)	679.99
SF-422	56-58	Deck lid & trunk hinge bolt set (6 pcs) (T)	7.99
SF-423	59-62	Deck lid & trunk hinge bolt set (6 pcs) (T)	7.99
CT-309	56-62	Deck lid hinge upper shims (2) (T)	12.99
CT-356	56-62	Deck lid hinge lower shims (2)	8.99
TR-139	56-60	Deck lid & trunk hinge towers (2) (T)	177.99
TR-95	56-60	Deck lid & trunk hinge springs (4) (T)	35.99
TR-165	61	Deck lid & trunk hinge springs (4) (T)	35.99
TR-96	62	Deck lid & trunk hinge springs (4) (T)	35.99



## Rear Bow Lock

CT-97	56-57E	Rear bow lock assembly w/studs (U)	ea Call
CT-389	57L-62	Rear bow lock assembly w/holes (F)	ea 123.99
ZCT-70	56-62	Rear bow lock gaskets (2)	4.99
ZSF-445	57L-62	Rear bow lock screws & hardware (16 pcs) (U)	5.99



## Deck Lid Protector

Clear film protector is die cut to fit contour of rear deck lid to protect your Corvette's paint from damage caused by contact with the soft top or auxiliary hardtop. Simple stick-on/peel-off static cling installation.



X-416	56-62	Deck lid protector, soft top	27.99
X-415	56-62	Deck lid protector, hardtop	27.99

Left-hand ("LH") = driver's side; right-hand ("RH") = passenger side



# Trunk

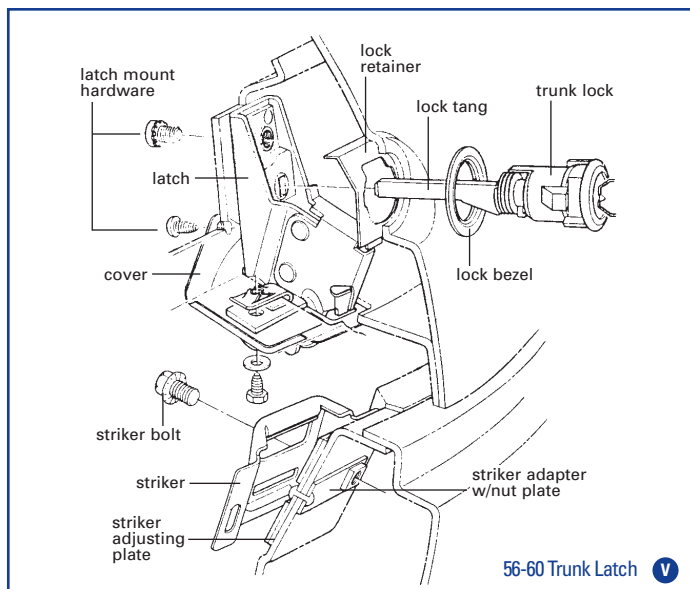
## Trunk & Deck Lid Hinge

TR-177	56-62	Trunk center metal support.....	45.99
PFG-414	56-60	Trunk lid (pm) (ND).....	truck 539.99
TR-139	56-60	Trunk & deck lid hinge towers (2).....	177.99
SF-422	53-58	Trunk & deck lid hinge bolt set, "TR" headmark (6).....	7.99
SF-423	59-62	Trunk & deck lid hinge bolt set (6).....	7.99
TR-95	56-60	Trunk & deck lid hinge springs (4).....	35.99
TR-96	61	Trunk & deck lid hinge springs (4).....	35.99
TR-165	62	Trunk & deck lid hinge springs (4).....	35.99
CT-309	56-62	Trunk lid hinge upper shim set (2).....	12.99
CT-356	56-62	Trunk lid hinge lower shims, .060-.070 thickness (2).....	8.99



## 53-60 Trunk Latch

TR-106	56-60	Trunk latch assembly (V).....	99.99
TR-166	56-60	Trunk latch mechanism cover (on lid) (V).....	27.99
TR-138	56-60	Trunk latch mount hardware (9 pcs) (V).....	5.49
TR-181	56-60	Trunk latch striker (V).....	24.99
TR-93	56-60	Trunk latch striker adapter w/nut plate (V).....	23.99
TR-94	56-60	Trunk latch striker adjusting plates (2) (V).....	16.99
TR-137	56-60	Trunk latch striker bolts (2) (V).....	3.39
LK-362	53-55	Trunk lock.....	34.99
LK-103	56-60	Trunk lock & key (V).....	34.99
LK-111	56-62	Trunk lock bezel (V).....	9.99
LK-324	56-62	Trunk lock retainer (V).....	12.99
LK-110A	56-60	Trunk lock tang (rod), correct size (V).....	8.49

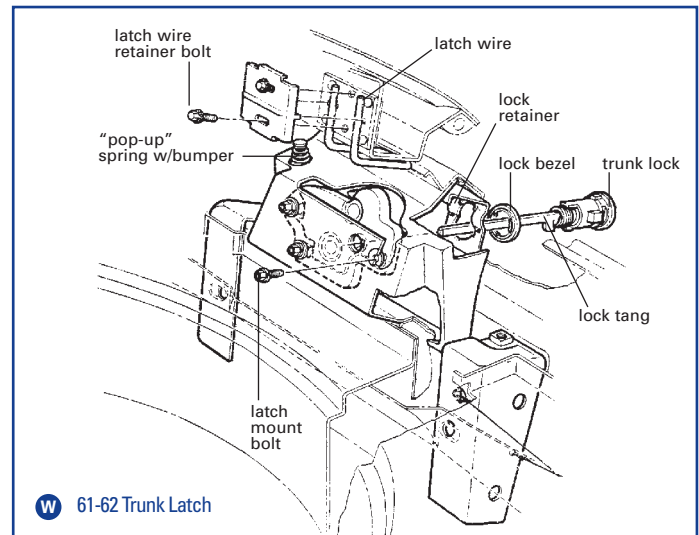


## 61-62 Trunk Latch

TR-179	61-62	Trunk latch assembly.....	39.99
TR-134	61-62	Trunk latch mount bolts (3) (W).....	3.49
TR-150	61-62	Trunk latch wire, on lid (W).....	34.99
TR-178	61-62	Trunk latch wire retainer.....	17.99
TR-136	61-62	Trunk latch wire retainer hardware (4 pcs) (W).....	3.49
TR-101	61	Trunk lid "pop-up" spring w/bumper (W).....	14.99
TR-102	62	Trunk lid "pop-up" spring w/bumper (W).....	13.99
TR-97	61-62	Trunk lid "pop-up" spring bumper only.....	6.99
TR-167	61L-62	Trunk lid "pop-up" spring retainer, fits 61-Late after 1/23/61.....	21.99
LK-107	61-62	Trunk lock & key (W).....	34.99
LK-111	56-62	Trunk lock bezel (W).....	9.99
LK-324	56-62	Trunk lock retainer (W).....	12.99
LK-110B	61-62	Trunk lock tang (rod), correct size (W).....	6.99



Looking for a trunk lock keyed alike with your ignition & doors? Zip's complete lock sets include matched ignition, doors and trunk with original style keys. See pg. 61 for complete lock sets and original style GM keys.



## Trunk Hardware

TR-13	61-62	Taillight protector cones, gray, inside trunk area (4).....	34.99
TR-14	61-62	Trunk floor access plates w/screws (car set).....	15.99
SF-540	61-62	Trunk floor access plate screws, shallow phillips head (4).....	4.99
PFG-497	56-60	Trunk spare tire filler panel (pm).....	249.99
TR-135	56-60	Trunk spare tire filler panel w/latch adapter installed (hl).....	169.99
SF-541	56-60	Trunk spare tire filler panel screws (17).....	6.69
ZTR-80	61-62	Trunk lid drain hoses (2).....	9.99
TR-107	61-62	Trunk lid drain hose grommets (2).....	5.99
TR-113	58	Trunk filler side plates, fiberglass (2).....	169.99
TR-201	58	Trunk filler side plate hardware.....	18.99



See page 101 for trunk liner and mat

## Door Hardware

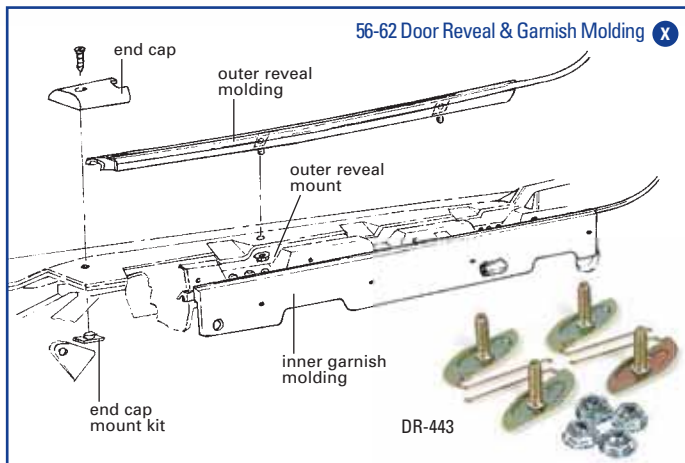
### Courtesy Light Switches

ES-621	53-55	Courtesy light switch, door jamb, 55 6-cyl (per side).....	21.99
ES-534	55-62	Courtesy light switch, door jamb, includes gasket & screws (per side).....	22.99
ZWS-109	53-62	Courtesy light switch gasket, door jamb (2).....	2.99
ZSF-105	53-62	Courtesy light switch screws (4).....	1.99



### End Caps

DR-724	56-58E	End caps, w/o hole (pair).....	89.99
DR-570	56-58E	End caps mount kit, includes (2) clips, (2) retainers & screws (car set).....	27.99
DR-386	56-58E	End cap retainer (LH or RH).....ea	12.99
DR-569	56-58E	End caps weatherstrip retainer clips w/screws (4 pcs).....	9.99
DR-725	58L-59E	End caps, w/hole (pair).....	89.99
DR-711	59L-60	End caps, w/hole & ridge (pair) (X).....	79.99
DR-426	58L-60	End caps mount kit w/weatherstrip retainers (6 pcs) (X).....	12.99
DR-16	61-62	End caps w/mount kit (car set).....	92.99
DR-427	61-62	End caps mount kit (4 pcs).....	8.49



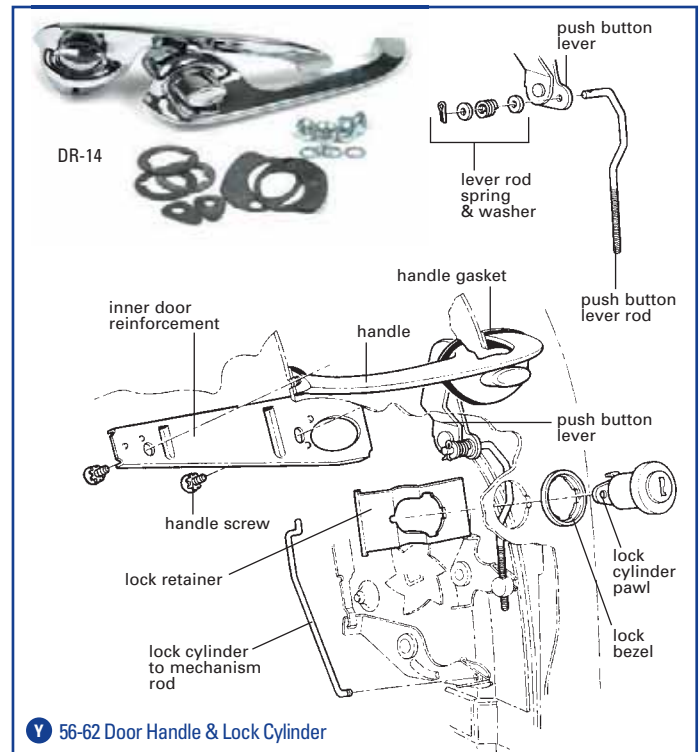
### Garnish & Reveal Moldings

I-780	56-58	Inner garnish moldings (2) (X).....	102.99
I-781	59-62	Inner garnish moldings (2) (X).....	102.99
ZSF-411	56-62	Inner garnish molding screws (10).....	3.49
DR-706	56-58	Outer reveal moldings (2) (X).....	132.99
DR-676	59-62	Outer reveal moldings (2) (X).....	132.99
DR-344	56-58	Outer reveal molding retainers (2).....	51.99
SF-729	56-58	Outer reveal molding retainer hardware (16 pcs).....	5.59
DR-443	59-62	Outer reveal molding mount kit (8 pcs) (X).....	6.99



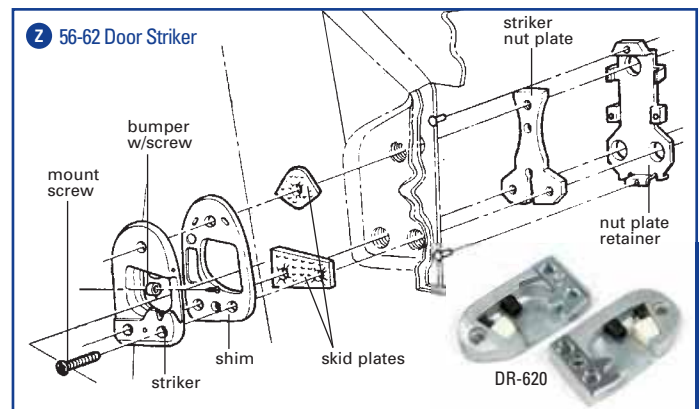
## Door Handles

DR-14	56-62	Handles, complete w/buttons, springs, screws & gaskets, GM Licensed (car set) (Y).....	89.99
DR-589	56-62	Handles, complete w/buttons, springs, screws & gaskets, imported (car set).....	69.99
ZWS-108	56-62	Handle gasket set (4 pcs) (Y).....	4.99
DR-12	56-62	Handle inner door reinforcements (2) (Y).....	22.99
DR-15	53-62	Handle push buttons w/springs & retainers (car set).....	36.99
SPR-121	56-62	Handle push button springs (2).....	6.99
DR-441	56-62	Handle push button levers (2) (Y).....	26.99
DR-442	56-62	Handle push button lever rod (LH or RH) (Y).....	14.99
DR-446	56-62	Handle push button lever rod spring & washer kit (6 pcs) (Y).....	5.99
BL-441	56-62	Handle screws, correct clutch head (8 pcs) (Y).....	6.99
X-1747	56-62	Handle scratch guards, paint protection under handles (2).....	6.99



### Door Strikers

DR-620	56-60	Strikers, correct reproduction (car set) (Z).....	79.99
DR-621	61-62	Strikers, correct reproduction (car set) (Z).....	82.99
DR-537	56-62	Striker bumpers w/screws (4 pcs) (Z).....	6.99
DR-350	56-62	Striker mount screws (6) (Z).....	12.99
DR-549	56-62	Striker nut plate (Z).....ea	17.99
DR-564	56-62	Striker nut plate retainer (Z).....ea	17.99
DR-444	56-62	Striker shims (2) (Z).....	21.99
DR-445	56-62	Striker skid plates, stainless (4 pcs) (Z).....	25.99



## Door Locks

LK-358	56-60	Door locks w/keys (Y)	49.99
LK-359	61-62	Door locks w/keys (Y)	54.99
<i>Note: Original-style lock cylinders with correct faces and notched, dimpled shutter. Includes hex head keys with "Briggs &amp; Stratton" and GM logo and knock-outs as original.</i>			
LK-112	56-62	Door lock bezel (Y)	ea 9.99
ZWS-669	56-62	Door lock bezel gaskets (2)	1.99
LK-207	56-62	Door lock cylinder pawl (Y)	ea 6.69
ZLK-304	56-62	Door lock cylinder pawl retainers (2)	2.99
DR-382	56-62	Door lock cylinder to mechanism rod (Y)	ea 12.99
LK-331	56-62	Door lock retainers (2) (Y)	20.99



## Lock Sets & Keys

### Complete Locks

Zip's concourse lock set includes original style locks with correct face and notched, dimpled shutter. Sets are keyed alike and include "knock out" hex head keys. Set includes ignition lock cylinder, door locks with installed pawls, trunk lock and glove box lock with case and chrome bezel. Hex head keys feature "Briggs & Stratton" and GM logo.

LK-100	56-59	Complete lock package	119.99
LK-340	60	Complete lock package	124.99
LK-104	61-62	Complete lock package	124.99



### Ignition & Doors/Trunk

Keyed alike lock sets for ignition and door or trunk as needed. Includes "knock out" hex keys as original.

LK-395	53-55	Ignition & trunk lock, replacement	72.99
LK-101	56-59	Ignition & door locks only	79.99
LK-337	60	Ignition & door locks only	79.99
LK-105	61-62	Ignition & door locks only	79.99



### Keys

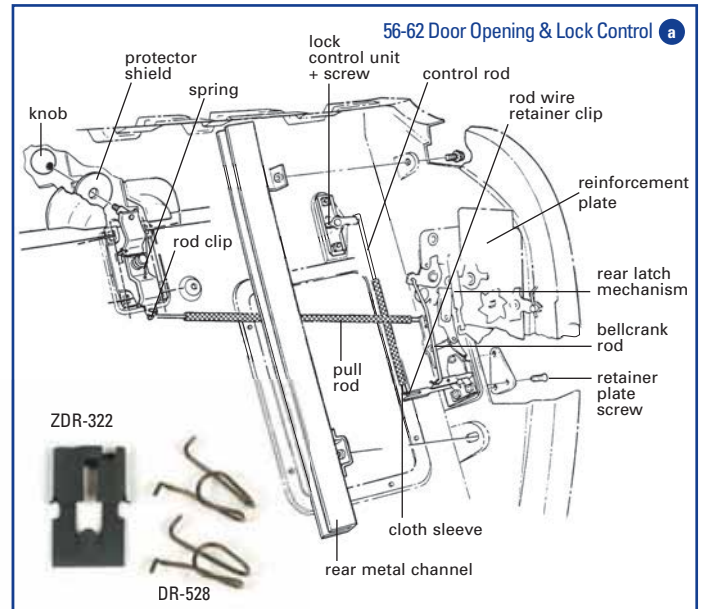
All 53-62 Corvettes use hex keys for all lock cylinders (ignition, doors, trunk and glove box). Blanks are available in correct "knock-out" style with Briggs & Stratton and GM Logo as original or as replacement with GM logo only.

LK-344	53-61	Briggs & Stratton/GM hex key w/o "R"	ea 6.99
LK-345	62	Briggs & Stratton/GM hex key w/ "R"	ea 6.99
LK-108S	53-62	GM hex head key, replacement	ea 2.99



## Lock Knobs & Control Unit

DR-527	56-57	Lock control unit (a)	ea 34.99
DR-526	58	Lock control unit (a)	ea 35.99
DR-525	59-61	Lock control unit (a)	ea 32.99
DR-524	62	Lock control unit (a)	ea 35.99
DR-561	56-62	Lock control screw set (6) (a)	8.49
DR-562	56-58	Lock control rod, stainless (a)	ea 13.99
DR-563	59-62	Lock control rod, stainless (a)	ea 13.99
I-238	56-62	Lock knob	ea 16.99
I-1766	56-62	Lock knob plastic backplates, correct (2)	4.49
ZDR-35	56-62	Lock knob clip	ea 1.49
DR-529	56-62	Lock pivot plate retainer w/screws (car set)	23.99
SF-414	56-62	Lock pivot plate screws (6)	4.49
DR-520	56-62	Rod cloth sleeve kit (4 pcs) (a)	9.99
DR-528	56-62	Rod wire retainer clips (2) (a)	4.99
ZDR-322	56-62	Rod clip (a)	ea 1.99
DR-652	56-59	Rear latch mechanism (LH or RH) (a)	109.99
DR-651	60-62	Rear latch mechanism (LH or RH) (a)	99.99
DR-41	56-62	Rear latch mechanism mount screws, end of door (8)	9.99
DR-560	56-62	Rear latch mechanism to bellcrank rod (a)	ea 12.99
DR-747	56-62	Rear latch mechanism reinforcement plates (pair) (a)	59.99



### Opening Mechanism

DR-700	56-57	Opening mechanisms (2)	72.99
DR-699	58	Opening mechanisms (2)	72.99
DR-698	59-62	Opening mechanisms (2)	72.99
I-612	56-62	Opening mechanism knobs, white (2) (a)	9.99
DR-39	60-62	Opening mechanism protector shields (2) (a)	4.99
DR-561	56-62	Opening mechanism screws (6)	8.49
DR-513	56-62	Opening mechanism springs (2) (a)	7.99
DR-523	56-57	Opening mechanism pull rod (a)	14.99
DR-521	58	Opening mechanism pull rod (a)	15.99
DR-522	59-62	Opening mechanism pull rod (a)	15.99
DR-520	56-62	Rod cloth sleeve kit (4 pcs) (a)	9.99
DR-528	56-62	Rod wire retainer clips (2) (a)	4.99
ZDR-322	56-62	Rod to mechanism clip (a)	ea 1.99



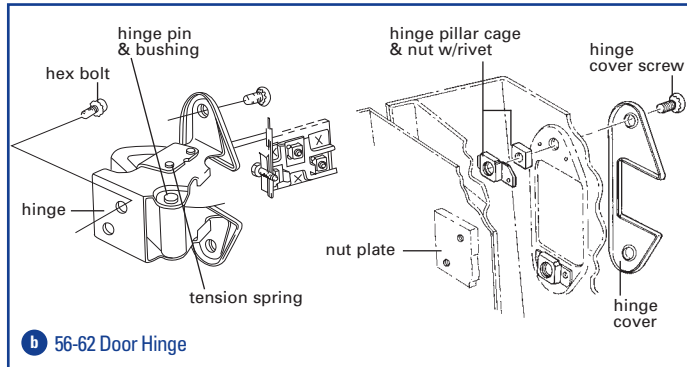


## Door Hardware continued

### Door Hinges

DR-463	56-62	Hinge hex bolts (10) (b)	16.99
DR-384	56-62	Hinge covers (4) (b)	38.99
SF-415	56-62	Hinge cover screws (8) (b)	10.99
DR-731	56-62	Hinge mounting nut plate (b)	ea 8.99
ZDR-319	56-62	Hinge pin bushing	ea .99
M-2597	56-62	Hinge pillar cage & nut w/rivets (8 per car) (b)	ea 5.59

See page 50 for hinge pillar metal supports



**b** 56-62 Door Hinge

### Hinge Pins & Bushings

Worn pins and bushings are the cause for sagging doors, increasing wear on the lock mechanism and striker. Zip's correct length hinge pins include new pin bushings. Car set.



ZDR-429	56-62	Hinge pins & bushings set (b)	17.99
---------	-------	-------------------------------	-------

### Tension Springs

Tension springs keep the door "locked" in place when in the fully-open position. Zip's hinge restoration kit is available as a single spring with (2) rivets, or as a full car set with (4) tension springs and (8) rivets.

DR-565	56-62	Hinge tension spring, rivets to hinge (b)	ea 9.99
DR-566	56-62	Hinge tension springs, includes (4) springs & (8) rivets	28.99
DR-622	56-62	Hinge tension spring rivets (8 pcs)	4.49



DR-566

### Hinge Pillar Rain Gutter

WS-4564	53-55	Hinge pillar drip rail weatherstrips (2)	39.99
I-1268	56-57E	Hinge pillar rain gutters (2)	99.99
I-767	57L-62	Hinge pillar rain gutters (2)	29.99
ZSF-412	56-59	Hinge pillar rain gutter screws (8)	3.99
SF-687	60-62	Hinge pillar rain gutter screws, correct (8)	8.99



I-767

ZSF-412

I-1268

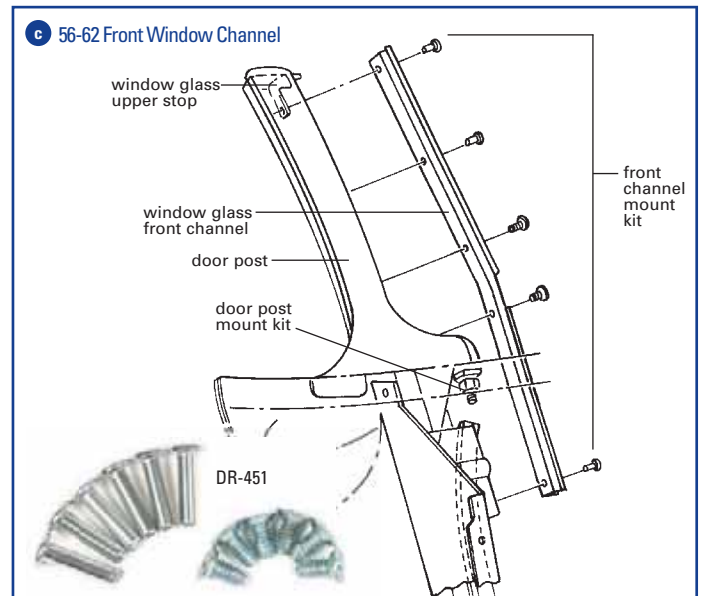
### Window Channels, Liners, Seals

DR-679	59L-62	Door post (LH or RH) (c)	469.99
DR-551	56-59E	Door post mount kit (14 pcs) (c)	16.99
DR-550	59L-62	Door post mount kit (14 pcs) (c)	9.99
WS-4535	56-62	Window channel & seal kit, deluxe, includes front window run, rear liners & "large bead" window seals & hardware	169.99
DR-732	56-62	Window glass front metal channel (LH or RH)	99.99
WS-275	56-62	Window glass front channel liners, notched & punched (pair) (c)	52.99
DR-451	56-62	Window glass front channel liner mount kit (c)	6.69
DR-559	56-62	Window glass rear metal channel (LH or RH) (a)	49.99
ZWS-113	56-62	Window glass rear channel liner	ea 5.99
DR-561	56-62	Window glass rear channel screws (6)	8.49
WS-112B	56-58	Window glass upper stops w/hardware (2) (c)	39.99
WS-4481	56-62	Window inner & outer felt seals (4), correct large bead	109.99
SF-753	56-62	Window inner & outer seal staples (10)	2.99



WS-4481

DR-559



**c** 56-62 Front Window Channel

### Window Regulator Access Panels

DR-479	56-57	Access panel, large	ea 32.99
DR-485	58	Access panel, large (LH or RH)	ea 45.99
DR-487	59-61	Access panel, large (LH or RH)	ea 45.99
DR-491	62	Access panel, large (LH or RH)	ea 45.99
DR-495	56-62	Access panel, small	ea 15.99
ZSF-413	56-62	Access panel screws (10)	3.99
WW-293	56-62	Access panel strip caulk set	5.99
DR-571	56-62	Inner door bolt access hole cover kit (12 pcs)	8.99



DR-495

DR-479

DR-487

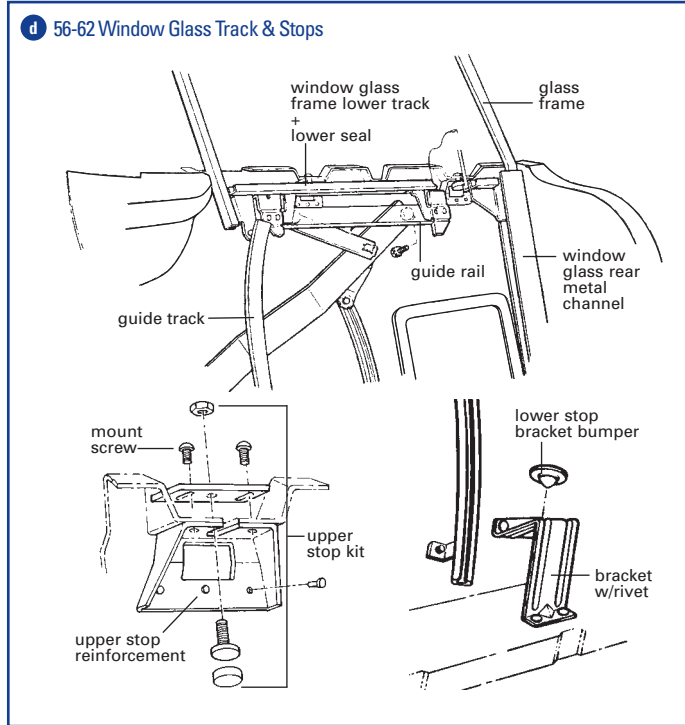
DR-571



## Window Glass Mounting & Stops

DR-440	56-62	Window lower stop bracket w/rievet (LH or RH) (d)	24.99
DR-447	56-62	Window lower stop bracket bumpers (2) (d)	17.99
DR-623	56-62	Window upper stop kit, includes (4) bolts, plates, caps & hardware (car set) (d)	39.99
SF-757	56-62	Window upper stop mount screws (8) (d)	5.49
DR-330	56-62	Window upper stop caps only (4)	9.99
DR-554	56-62	Window upper stop reinforcement w/rievets (d)	17.99
DR-582	56-62	Window glass upper frame, stainless (d)	129.99
DR-553	56-62	Window glass frame lower track (d)	ea 89.99
ZDR-509	56-62	Window glass to frame setting tape (car set)	11.99
SF-650	56-62	Window glass frame & upper track screw set (24 pcs)	5.49
DR-552	56-62	Window glass lower guide rail (d)	ea 35.99
DR-381	56-62	Window glass lower seals, mounts in glass setting channel (2) (d)	29.99

See page 117 for door glass



## Window Regulators

DR-660	56-62	Window regulators (car set) (d)	199.99
DR-681	56-62	Window regulator backplate w/mount nuts	ea 29.99
DR-497	56-62	Window regulator gear w/rievet	ea 29.99
DR-561	56-62	Window regulator screws (6)	8.49
DR-57	56-62	Window regulator rollers w/rievets (12 pcs)	20.99
DR-754	56-62	Window regulator vertical guide track (LH or RH)	ea 44.99
ZDR-46	56-62	Window crank, replacement	ea 12.99
I-323	56-62	Window crank plastic backplate, gray	ea 1.99
I-2983	56-62	Window crank plastic backplates, ivory (2)	5.99
ZDR-35	56-62	Window crank clip	ea 1.49
I-930	56-62	Window crank foam seals (replacement)	5.99
DR-555	56-62	Window crank foam seal (correct)	ea 11.99
DR-383	56-62	Window crank spacer springs (2)	8.99



## Spring Clip Removal Tool

Leave that sure-to-slip screwdriver in the toolbox and use this purpose-designed tool instead. Quick – and safe – removal of spring clips that secure window cranks and door lock knobs.



ZTL-100	Window crank & lock knob removal tool	5.99
---------	---------------------------------------	------

## Power Window Conversion

The factory option that never was! Add the "luxury" of power windows to your vintage Corvette. Kit includes new switches, harness, conduits, regulators and motors. Note window crank holes must be plugged – or upgrade door panels at same time. Car set. No Discount.

DR-511	56-62	Power window conversion kit	649.99
--------	-------	-----------------------------	--------



## Power Window Motors & Regulators

ES-573	56-62	Power window circuit breaker, 40 amp	22.99
DR-644	56-62	Power window motor, LH, Type 3, includes drive gear, & conversion harness	79.99
DR-645	56-62	Power window motor, RH, Type 3, includes drive gear, & conversion harness	79.99
E-854	56-57	Power window motor conversion harness, adapts 56-57 harness to Type 2 (58-75) motor	14.99
E-853	56-57	Power window motor conversion harness, adapts 56-57 harness to Type 3 (76-82) motor	15.99
E-852	56-57	Power window motor conversion harness, adapts 58-62 harness to Type 3 (76-82) motor	15.99
SF-552	56-62	Power window motor screws (6)	5.59
DR-661	59-62	Power window regulators (car set)	209.99
DR-556	56-62	Power window switch, LH	119.99
DR-557	56-62	Power window switch, RH	89.99
E-851	56-62	Power window switch conversion harness, connects original harness to reproduction switches (2)	18.99
DR-558	56-62	Power window conduits (2)	64.99



# Windshield Washer & Wiper

## Washer Jar & Coordinator

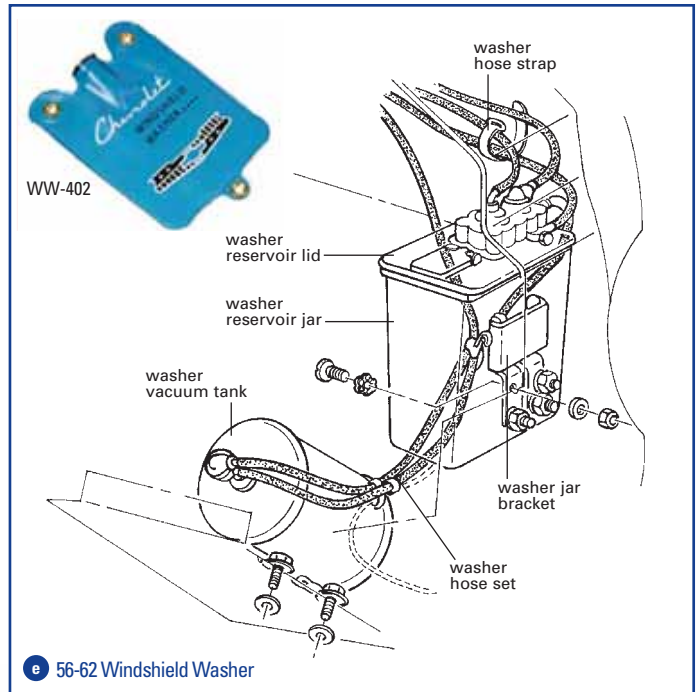
WW-402	56	Washer bag w/Chevrolet script.....	119.99
WW-403	56	Washer bag valve w/metal cap, pick-up hose and filter.....	54.99
WW-459	53-56	Washer pump foot operated Bowden cable.....	149.99
WW-458	57	Washer pump foot operated Bowden cable.....	149.99
M-152	57-62	Washer reservoir jar, correct "cream" color (e).....	34.99
WW-260	58-60	Washer reservoir lid, blue (e).....	69.99
WW-266	61-62	Washer reservoir lid, gray (e).....	69.99

Note: Washer reservoir lids do not include coordinator.

WW-289	58-62	Washer reservoir lid rivets (2).....	5.99
MF-483	58-62	Washer reservoir lid decal.....	3.99
WW-274	58-62	Washer jar bracket, w/carburetor (e).....	49.99
WW-275	58-62	Washer jar bracket, w/F.I.....	49.99
BL-608	58-62	Washer jar bracket hardware, clutch head (16 pcs).....	13.99
WW-323	58-61	Washer jar aluminum shield, w/F.I.....	56.99
BL-606	58-62	Washer jar aluminum shield hardware, w/F.I., clutch head (12 pcs).....	9.99
WW-360	58-61E	Washer vacuum tank w/valve (e).....	189.99
WW-361	61L-62	Washer vacuum tank w/valve (e).....	189.99

Note: '61-Early tank mounted with bolts; '61-Late mounted with attached studs.

WW-322	58-61	Washer vacuum tank reinforcement, w/F.I., includes rivets & screws.....	22.99
BL-607	58-61E	Washer vacuum tank hardware (8 pcs).....	7.99



e 56-62 Windshield Washer



## Washer Hoses & Nozzles

ZWW-379	56-57	Washer hose set (e).....	19.99
ZWS-263	58-61	Washer hose set, F.I. engines, ribbed (e).....	24.99
ZWS-263A	62	Washer hose set, F.I. engines, ribbed (e).....	24.99
ZWS-264	58-62	Washer hose set, except F.I., ribbed (e).....	24.99
WS-272	58-62	Washer hose firewall grommet.....	7.99
WW-335	56-60	Washer hose strap, brass (4) (e).....	18.99
WW-290	61-62	Washer hose strap, white (5 per car).....	ea 2.99
M-2777	61-62	Washer hose straps, aluminum (10) (e).....	17.99
ET-502	53-62	Washer nozzle set, correct reproduction chrome plated brass w/rounded hex points, gaskets & flat nuts (car set) (f) ..	59.99
ZWS-149	53-62	Washer nozzle gaskets (2).....	1.99
ET-317	53-62	Washer nozzle flat nuts (2).....	11.99

## Washer Pump Rebuild Kit

All the components needed to rebuild original washer pump. Includes seals, gaskets, bushings and rivets.

WW-433	58-62	Washer pump rebuild kit.....	79.99
--------	-------	------------------------------	-------



## Wiper Motor

E-479	55-62	Wiper motor ground wire.....	12.99
WW-277	58-62	Wiper motor & plate mount screws (6 pcs).....	4.49
ZWW-245	58-62	Wiper motor plate to firewall seal.....	3.99



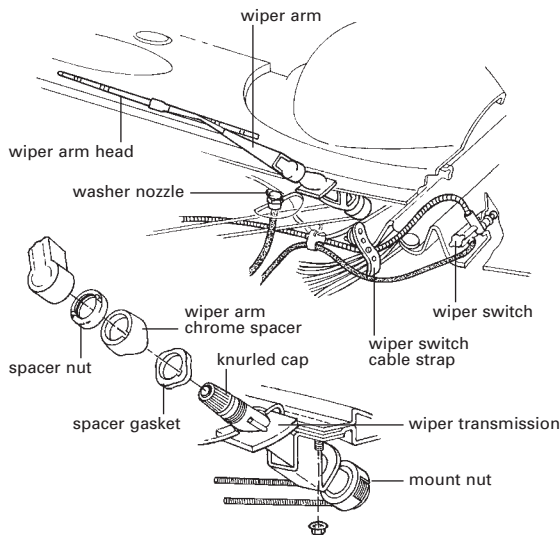


## Wiper Arms

ET-315	56-62	Wiper arms, bright finish (2) (f).....	79.99
ET-319	56-62	Wiper arm pivot rivet.....	ea 2.49
WW-244	53-57	Wiper arm chrome spacers (2) (f).....	59.99
ET-32	58-62	Wiper arm chrome spacers (2) (f).....	59.99
ZWS-153	53-57	Wiper arm chrome spacer gaskets (2).....	3.49
ZWS-354	58-62	Wiper arm chrome spacer gaskets (2) (f).....	3.49
ET-33	56-62	Wiper arm spacer nut (2 per car) (f).....	ea 5.99
TL-115	56-62	Wiper arm spacer nut removal tool.....	12.99
WW-223	56-62	Wiper arm heads w/blades, replacement (2) (f).....	29.99
WW-326	56-62	Wiper arm heads w/blades, correct Brite finish Trico heads (2) (f).....	89.99
WW-325	56-62	Wiper arm head refill, correct w/dots (2).....	29.99
WW-382	56-62	Wiper transmission knurled caps (2) (f).....	21.99
SF-764	56-57	Wiper transmission mount hardware (12 pcs).....	3.49
SF-691	58-62	Wiper transmission mount nuts (4) (f).....	3.39



### f 56-62 Wiper Arm & Transmission



## Wiper Arms & Blades Set

Reproduction bright finish wiper arms available with either correct Trico Brite finish heads with dot blade refills or replacement "standard" heads with blades. Car set.

WW-358	56-62	Wiper arm & replacement blade set.....	109.99
WW-359	56-62	Wiper arm & correct "Trico" blade set.....	149.99



## Wiper Arm Removal Tool

Removes wiper arms quickly – without potentially damaging paint due to a "whoops!" screwdriver. Simply place over arm, squeeze & lift.



TL-110	56-62	Wiper arm removal tool.....	8.99
--------	-------	-----------------------------	------

## Windshield Wiper Upgrade Kit

Frustrated by poor – or no – wiper operation due to stretched or broken drive cables? Is your wiper transmission binding, or maybe locked-up because of corrosion? Kit upgrades wiper system to a modern 2-speed motor. Includes all parts needed to replace antiquated components with an original-look install that utilizes updated technology. Available with or without an intermittent delay switch.

WW-420	53-57	Windshield wiper upgrade kit.....	529.99
WW-421	53-57	Windshield wiper upgrade kit w/intermittent delay.....	579.99
WW-405	58-62	Windshield wiper upgrade kit.....	529.99
WW-387	58-62	Windshield wiper upgrade kit w/intermittent delay.....	579.99



## Wiper Switch

WW-235	58-62	Wiper switch w/cable (f).....	89.99
WW-449	58-62	Wiper switch w/cable (rebuilt original) (f).....	99.99
WW-324	56-62	Wiper switch to motor hold down screw w/washer.....	1.99
WW-290	58-62	Wiper switch cable strap, white plastic (f).....	ea 2.99
WW-416	58-62	Wiper switch actuator, plastic, mounts on wiper motor (correct color).....	10.99
WW-417	56-62	Wiper switch actuator block, plastic, mounts on wiper motor (correct color).....	11.99
WW-320	56-57	Wiper switch knob.....	24.99
D-573	58-60	Wiper switch knob, w/o washer.....	29.99
D-572	58-60	Wiper switch knob & push button, w/washers.....	39.99
WW-356	61-62	Wiper switch knob w/push button.....	39.99
D-771	56-57	Wiper switch nut/bezel.....	22.99
D-570	58-60	Wiper switch nut.....	11.99
D-571	61-62	Wiper switch nut.....	11.99
TL-166	58-60	Wiper switch nut tool.....	12.99



# Radiator

## Replacement Radiator

New replacement copper and brass radiator made of for efficient cooling. Fits into factory supports without any modifications.

RA-100	55-61E	Radiator.....	<b>479.99</b>
RA-102	61L-62	Radiator, uses expansion tank (A).....	<b>509.99</b>



## Exact Reproduction Aluminum Radiator

Features OE-design core, tank and top and bottom plates. Includes correct part number and date code. '61-62 radiators have cast iron upper neck. Available in all original configurations. Specify model year, serial number and date code. Licensed by GM.

RA-127	60-61E	Aluminum reproduction radiator, top tank radiator.....	<b>1389.99</b>
RA-332	61E	Aluminum reproduction radiator (bare) (A).....	<b>1164.99</b>
RA-128	61L	Aluminum reproduction radiator (black) (A).....	<b>1164.99</b>
RA-331	62E	Aluminum reproduction radiator (tag date) (A).....	<b>1164.99</b>
RA-129	62L	Aluminum reproduction radiator (stamped date) (A).....	<b>1164.99</b>

## Radiator Cap

M-2928	55-57	Radiator cap, "SM" logo, 7 lbs.....	<b>32.99</b>
M-2398	58-60	Radiator cap, AC-549, 7 lbs.....	<b>32.99</b>
M-2956	60-61	Radiator cap, AC-362, 13 lbs., top tank radiator.....	<b>41.99</b>
M-3546	55-61	Radiator cap, replacement.....	<b>11.99</b>

See page 69 for expansion tank cap



## Radiator Overflow & Drain

M-3059	56-60	Radiator drain cock w/extension hose (C).....	<b>9.99</b>
M-184	60-62	Radiator drain cock, aluminum.....	<b>18.99</b>
M-3453	60-62	Radiator drain cock pipe, aluminum.....	<b>13.99</b>
M-3454	60-62	Radiator drain cock pipe to cock coupling.....	<b>12.99</b>
M-3474	60-61	Radiator sight hole plug, top tank radiator.....	<b>54.99</b>
ZM-1119	56-61E	Radiator overflow hose.....	<b>6.99</b>



Left-hand ("LH") = driver's side; right-hand ("RH") = passenger side  
See page 52 for press molded ("pm") vs. hand laid ("hl") panels

## Direct Fit® Aluminum Radiator

Like the name says, our radiators are designed to bolt right in – no ifs, ands or buts. Every Direct Fit radiator is made in the USA and begins life as a double-row core furnace brazed for strength and accuracy. Press formed end tanks are meticulously TIG welded by real craftsmen to ensure leak-free performance and knockout looks. Epoxy free. Have a work of art under your hood!

RA-293	55-60	Direct Fit radiator.....	<b>899.99</b>
RA-294	55-60	Direct Fit radiator w/transmission cooler.....	<b>949.99</b>
RA-295	61-62	Direct Fit radiator, uses expansion tank.....	<b>789.99</b>
RA-296	61-62	Direct Fit radiator w/transmission cooler.....	<b>839.99</b>



## Direct Fit® Radiator & SPAL Fan Combo

It's simple science: less engine heat = more power. Satisfy the most severe cooling demands by "bulletproofing" your Direct Fit radiator with a pre-mounted 16" SPAL electric fan. Trick combo replaces factory shroud and engine fan while increasing cooling an additional 10-15%. Includes required fuses, relays and wiring.

RA-271	55-60	Direct Fit & fan (low profile).....	<b>1199.99</b>
RA-272	55-60	Direct Fit & fan w/transmission cooler (low profile).....	<b>1249.99</b>
RA-273	55-60	Direct Fit & fan (high profile).....	<b>1199.99</b>
RA-274	55-60	Direct Fit & fan w/transmission cooler (high profile).....	<b>1249.99</b>
RA-275	61-62	Direct Fit & fan.....	<b>1099.99</b>
RA-276	61-62	Direct Fit & fan w/transmission cooler.....	<b>1149.99</b>

Note: RA-271 & RA-272 "low profile" features a smaller fan motor to clear factory sway bar. Larger motor in RA-273 & RA-274 may interfere with OE suspension on '58-60 Corvettes. Due to current draw, high profile should only be used with alternator conversion.

## Direct Fit Finish

Direct Fit aluminum radiators are available in multiple finishes. Natural aluminum finish is standard. OE-style epoxy Black Ice coating provides factory look-alike without affecting cooling performance. Specify finish when ordering. Black Ice coated = +\$60.00

## Cooling System Decals

MF-255	58-62	Cooling system caution.....	<b>4.49</b>
MF-261	55-57	Radiator cooling system caution.....	<b>4.49</b>
MF-249	60-62E	Radiator Harrison foil metal plate.....	<b>19.99</b>
MF-250	62L	Radiator Harrison foil metal plate.....	<b>12.99</b>
SF-738	60-62	Radiator Harrison foil metal plate screws (2).....	<b>2.99</b>



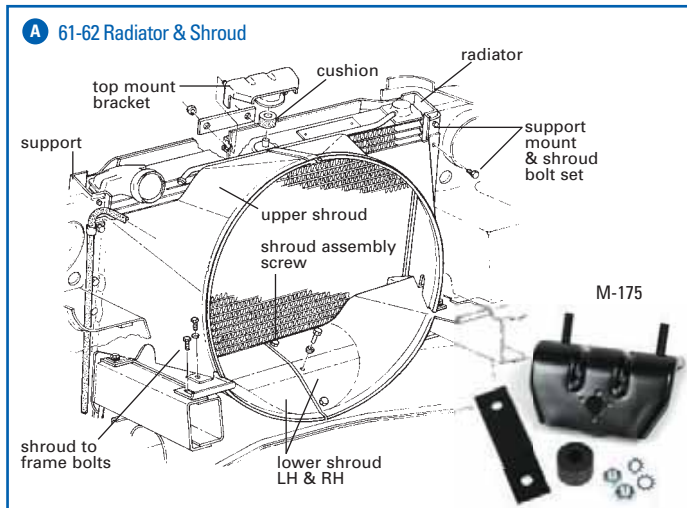
## DIRECT FIT HP & LS CONVERSION RADIATORS

Need more cooling capacity? Or swapping out with an LS engine? Zip has Direct Fit radiators available for your application needs. Direct Fit HP radiators feature a 2.75" core with (2) 1.25" internal cooling tubes, effectively increasing cooling capacity by another 35%. Direct Fit radiators are also available for LS conversions, featuring inlet & outlet ports on the passenger side, steam line connections, end tank temp switches and 16" SPAL cooling fans. Contact a Zip salesperson for more information.

## Radiator Support & Mounting

### Radiator Mount

BL-548	53-60	Radiator mount "J" nuts, use w/radiators that do not have welded nuts (6 pcs) .....	5.99
M-4298	55-60	Radiator mounting strap .....	149.99
M-3473	60-61	Radiator side brackets, top tank radiator (2) .....	209.99
BL-605	60-61E	Radiator side mount hardware, top tank radiator (20 pcs).....	11.99
M-175	61-62	Radiator top mount bracket w/cushion, retainer & hardware (A) .....	54.99
WS-333	61-62	Radiator mount cushion (3 per car) (A) .....	ea 2.49
WS-4624	61-62	Radiator mount cushion (3 per car) (restoration poly) (A).....	ea 9.99

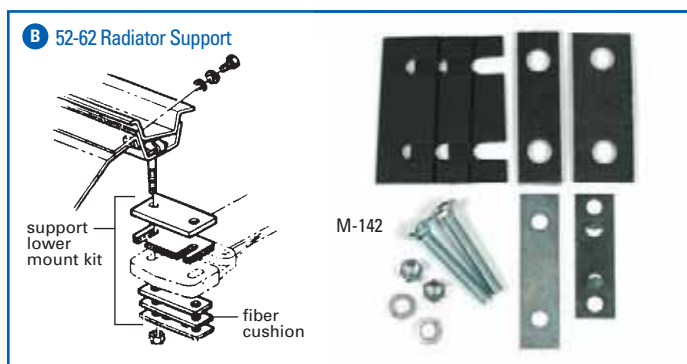


### Radiator Support

M-2673	53-57	Radiator support.....	329.99
M-2674	58-60	Radiator support.....	319.99
M-3056	60-61E	Radiator support, top tank radiator .....	359.99
M-2675	61L-62	Radiator support (A).....	369.99
M-4204	56-57	Radiator support block-off plate, heater delete .....	18.99
M-3463	61-62	Radiator support lower repair section, w/mount cups .....	84.99
M-3149	58-62	Radiator support extension (LH or RH) .....	67.99
M-2725	56-62	Radiator support extension block off plate, LH side, non-F.I. cars.....	22.99

### Radiator Support Mounting

BL-429	56-62	Radiator support mount & fan shroud bolt set, "E" headmark (8) (A) .....	6.99
M-142	53-62	Radiator support lower mount kit w/cushions & carriage bolts (13 pcs) (B) .....	19.99
SF-726	53-62	Radiator support lower mount bolts (2).....	4.49
WS-265	53-62	Radiator support fiber cushions (2) (B).....	4.99



### Radiator Support Air Dam

Mounts to top of radiator core support and seals area between hood and support to prevent overheating.

M-2533	59-60	Air dam, mounts to front of hood .....	29.99
--------	-------	--	-------

## Radiator Shroud

### Radiator Shroud

MF-443	58	Acrylic paint warning decal .....	4.49
M-3710	56-57	Shroud, 4-piece, complete (car set).....	279.99
M-132	58-59	Shroud, 4-piece, complete (car set).....	279.99
M-3784	55	Upper shroud only .....	219.99
M-3786	56-57	Upper shroud only .....	199.99
M-3220	58-59	Upper shroud only .....	199.99
M-3544	55-59	Lower 3-piece shroud w/screws .....	99.99
M-3475	60-62	Shroud, 3-piece, complete (car set) (A) .....	289.99
M-2469	60-62	Upper shroud only (A) .....	199.99
M-2471	60-62	Lower shroud, LH (A).....	59.99
M-2470	60-62	Lower shroud, RH (A).....	59.99

### Shroud Assembly & Mounting

SF-420	55-59	Shroud lower assembly screws (9) .....	9.99
SF-421	60-62	Shroud lower assembly screws (5) (A) .....	5.99
BL-428	58-62	Shroud lower mount to frame bolts (4) (A) .....	5.99
BL-429	56-62	Shroud & radiator support bolt set, "E" headmark (8) (A).....	6.99



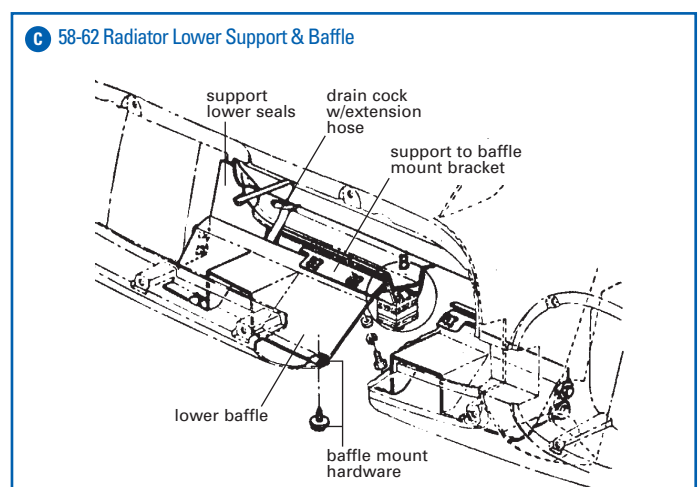
### Radiator Support Lower Baffle

PFG-416	56-57	Radiator lower baffle (pm) (C) .....	159.99
PFG-121	58-62	Radiator lower baffle (pm) (C) .....	109.99
BL-626	58-59	Radiator lower baffle mount hardware (26 pcs) (C).....	11.99
PFG-407	56-57	Radiator support to baffle mount bracket (C) .....	47.99
PFG-122	58-60	Radiator support to baffle mount bracket (C) .....	47.99
BL-520	56-60	Radiator lower baffle bracket mount kit (21 pcs) .....	8.49
BL-559	61-62	Radiator lower baffle bracket mount kit (21 pcs) .....	8.99

### Radiator Support Seals

Help to prevent overheating by properly sealing radiator to core supports. Precision die cut from correct materials.

ZWS-239	58-62	Support lower seals (3 pcs) (C) .....	11.99
ZWS-267	59-62	Support side seals, Hi-Perf (2) .....	11.99
SF-778	62	Support side seal retainer clips (6).....	26.99





## Radiator Hoses

### Correct Part Number Lower Radiator Hose

Includes GM part number, logo and markings as original. Designed for use with OE-style radiators. GM licensed.

M-3023	55-57	Lower #3715183.....	37.99
M-1129	58-62	Lower #3754505.....	32.99



### Correct Part Number Upper Radiator Hose

M-3021	55-60	Upper, 1x4 #3715184.....	37.99
M-3022	56-60	Upper, 2x4 & F.I. #3728490.....	32.99
M-1131	60-61	Upper, w/aluminum top tank radiator #3777482.....	35.99
M-1130	61-62	Upper, 1x4 #3788191.....	32.99
M-3020	61-62	Upper, 2x4, F.I. & 62 340 hp #3788192.....	35.99
ZM-1119	56-61	Overflow hose.....	6.99



### Replacement Radiator Hose

M-4057	55-62	Lower radiator hose.....	18.99
M-4095	56-60	Upper radiator hose, 1x4.....	14.99
M-4095	61-62	Upper radiator hose, 1x4 except 62 340hp.....	14.99

### Radiator Hose Clamps

ZHC-443	56-60	Radiator lower hose clamp.....	ea 2.99
ZHC-435	61-62	Radiator lower hose clamps (2).....	8.99
HC-625	61-62	Radiator lower hose clamp (dated).....	ea 6.99
ZHC-444	56-59E	Radiator upper hose clamp.....	ea 2.99
HC-621	57	Radiator upper hose clamps, band-style, used on 57 270 & 283 hp (2).....	7.99
ZHC-436	59L-62	Radiator upper hose clamps (2).....	8.99
HC-626	59L-62	Radiator upper hose clamp (dated).....	ea 6.99

Note: '56-59-Early hose clamps are spring-type clamps. Upper hose was used on '59 up to S/N 2990.

### Cooling System Hose Clamps

Kits include all the correct size and style clamps required to secure radiator hoses, heater hoses and expansion tank overflow hose.

ZHC-440	55-58	Cooling system hose clamps (12 pcs).....	11.99
ZHC-439	59E	Cooling system hose clamps (12 pcs).....	11.99
ZHC-438	59L-60	Cooling system hose clamps (12 pcs).....	21.99
ZHC-401	61-62	Cooling system hose clamps (16 pcs).....	28.99



## Heater Hoses

### Heater Hose Kit

M-1124	53-58	Heater hose kit, 5/8" hose, w/correct ribs, does not include logo.....	29.99
M-2521	59-60	Heater hose kit, ribbed hose, 3/4" hose w/red "GM" logo & 5/8" hose w/white "GM" logo.....	49.99
M-3540	59-60	Heater hose kit, ribbed hoses w/o logo.....	32.99
M-2519	61-62	Heater hose kit, ribbed hose, 3/4" hose w/red "GM" logo, 5/8" hose w/white "GM" logo & (2) 10" hoses w/logos.....	52.99
M-3541	61-62	Heater hose kit, ribbed hoses w/o logo.....	34.99
M-2309	58-62	Heater hose kit, w/o ribs or logo, 5/8" & 3/4" hoses.....	16.99



### Heater Hose Clamps

M-2575	53-62	Heater hose firewall seal, 53-55 2 per car & 56-62 1 per car.....	ea 2.99
M-3547	56-62	Heater hose clamps, 5/8" spring type (2).....	.99
M-3548	56-62	Heater hose clamps, 3/4" spring type (2).....	.99

### Heater Hose Brackets & Ties

M-143	53-62	Heater hose inner skirt clamp w/screw, 53-55 2 per car, 56-57 3 per car & 58-62 1 per car.....	ea 12.99
M-137	58-62	Heater hose generator bracket, supports both hoses.....	14.99
M-2777	61-62	Heater hose & wire tie straps, aluminum (10).....	17.99



### Heater Hose Fittings

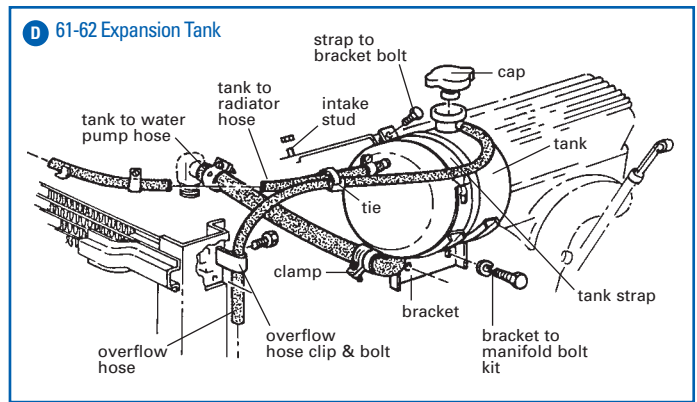
M-3136	56-62	Heater hose intake fitting, 3/8" NPT.....	12.99
M-149	59-62	Heater hose intake fitting, 1/2" NPT.....	12.99
M-2685	55-57	Heater hose water pump lower fitting, 5/8" hose.....	17.99
M-101	58-62	Heater hose water pump lower fitting, 3/4" hose.....	18.99
M-100	61-62	Water pump expansion tank hose fitting, 90°, located at top of pump.....	23.99
M-3577	56-62	1/2" to 3/8" NPT fitting adapter.....	8.49
M-3536	61-62	3/4" to 1/2" NPT fitting adapter.....	9.99
M-3652	59-62	Heater delete plug, intake or water pump.....	ea 4.99



## Expansion Tank

### Expansion Tank & Cap

M-194	61-62	Expansion tank, replacement (D)	219.99
M-2957	61	Expansion tank cap, (RC 306/13#) before 2/61 (D)	37.99
M-2208	61-62	Expansion tank cap, (RC 307/13#) after 2/61 (D)	29.99
M-320	61-62	Expansion tank cap, replacement (D)	18.99
MF-261	61-62	Expansion tank caution decal	4.49



### Dated Expansion Tank

Reproduction Harrison aluminum tank features correct date code. All dates available – most common were “C” (March), “J” (September) or “M” (December). Tank has “pressed-in” tubes as original.



M-2414	61-62	Expansion tank, reproduction	249.99
--------	-------	------------------------------	--------

### Custom Black Ice Expansion Tank

Original style aluminum expansion tank with Black Ice coating for a truly spectacular custom look. Perfect for the restomod or custom engine compartment.



M-4315	61-62	Black ice expansion tank	269.99
--------	-------	--------------------------	--------

### “Radiator Relief”

Get as much as a 30° drop in operating temperature while cutting your warm-up time in half. Perfect for small-blocks, big-blocks, daily drivers and full-on racers. No mixing, simply pour a bottle in and you’re done!



RA-147	Radiator Relief, 32 oz. bottle	18.99
--------	--------------------------------	-------

### Expansion Tank Mount

M-3446	61-62	Expansion tank bracket (D)	89.99
M-2736	61-62	Expansion tank bracket intake stud (D)	7.99
M-3545	61-62	Expansion tank bracket to exhaust manifold bolt kit, “AP” headmark (2) (D)	3.49
M-2577	61-62	Expansion tank strap (D)	11.99
M-3317	61-62	Expansion tank strap to bracket bolt (D)	2.49



### Expansion Tank Hoses

M-4021	61-62	Expansion tank to radiator hose (D)	4.49
M-3316	61-62	Expansion tank to radiator hose clamps, replacement (2) (D)	4.99
HC-635	61-62	Expansion tank to radiator hose clamp, Whittek (D)	ea 8.99
M-2576	61-62	Expansion tank to water pump hose (D)	6.99
HC-634	61-62	Expansion tank to water pump hose clamps (2) (D)	Call
M-2777	61-62	Expansion tank hose aluminum ties (10) (D)	17.99
ZM-1119	61-62	Expansion tank overflow hose (D)	6.99
M-2578	61-62	Expansion tank overflow hose clip (D)	4.49
M-3543	61-62	Expansion tank overflow hose clip bolt (D)	1.49



### Dewitt Radiator Coolant

Specifically formulated coolant/ antifreeze for high-perf engines. Patented low silicate corrosion protection prevents rust and corrosion. Advanced additive package contains special anti-foam agents to reduce water pump cavitation and increase cooling capacity. Gallon.



MG-271	Dewitt High Performance Coolant	29.99
--------	---------------------------------	-------

**ZipSocial** Follow us and stay connected! [www.zip-corvette.com/social](http://www.zip-corvette.com/social)

## Defroster & Heater Box

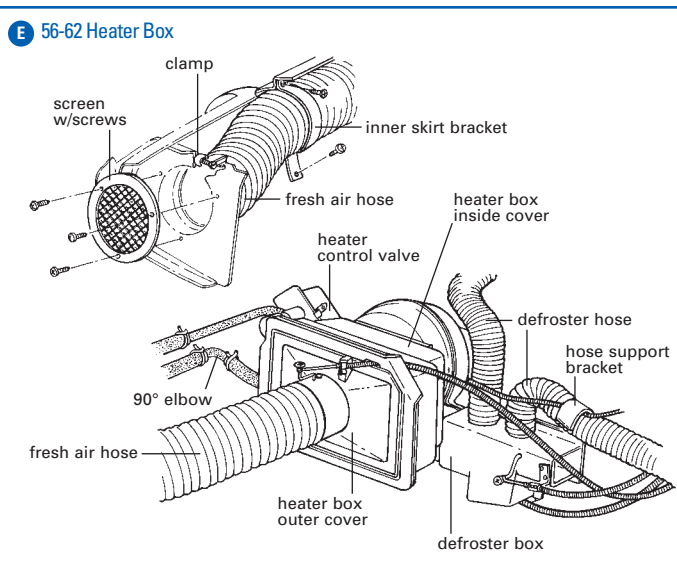
### Inner Heater Box, Blower Motor & Heater Core

M-3920	56-62	Blower motor, correct, includes gasket, clip & hardware	115.99
E-1157	58	Blower motor ground wire	12.99
E-1158	59-62	Blower motor ground wire	12.99
SF-678	56-62	Blower motor mount screws (5 pcs)	3.99
M-2882	56-62	Heater box inside cover, houses heater core (E)	129.99
M-3539	56-57	Heater control valve (E)	226.99
M-4184	56-57	Heater control valve seal kit, allows for rebuild of valve	29.99
M-159	58-62	Heater control valve, replacement (E)	79.99
M-2400	58-62	Heater control valve rubber elbow, connects to heater core	9.99
M-3061	56-62	Heater core	189.99
SF-548	56-62	Heater core mount screws (4)	5.49
M-3535	56-58	Heater hose 90° elbow (E)	19.99
M-2399	59-62	Heater hose 90° elbow, copper, reduces 3/4" hose to 5/8" at firewall (E)	17.99
MF-252	56-62	Heater motor inspection decal #124, mounts to lower of interior housing	4.49



### Outer Heater Box

M-2882	56-62	Heater box inside cover, houses heater core (E)	129.99
M-2731	56-62	Heater box to firewall studs w/retainers (20 pcs)	20.99
M-3152	56-62	Heater box outer cover adapter plate	31.99
M-2727	56-62	Heater box outer cover w/fresh air door (E)	162.99
SF-679	56-62	Heater box outer cover mount screws & washers (12 pcs)	4.99
M-3306	58-62	Heater cable to outer cover mount kit, includes clamp, speednut w/screws to hold cable to outer heater box	3.49



### Fresh Air Intake

ZM-109	56-62	Fresh air hose, 4" (E)	44.99
ZHC-108M	56-60	Fresh air hose clamp, replacement (E)	ea 8.99
HC-619	56-60	Fresh air hose clamp, correct (E)	ea 23.99
HC-109M	61-62	Fresh air hose clamp, correct (E)	ea 12.99
M-2729	56-57	Fresh air hose inner skirt bracket	ea 11.99
M-107	58-62	Fresh air hose inner skirt brackets (2) (E)	18.99
TR-141	56-62	Fresh air hose bracket screws (10)	5.99
M-3305	56-57	Fresh air hose inlet screen assembly	72.99
M-2726	58-62	Fresh air hose screen w/screws (E)	28.99
SF-728	58-62	Fresh air hose screen screws (6)	2.49
M-4204	56-57	Heater delete block-off plate, radiator support	18.99



### Heater Box Seal Kit

Eliminates annoying air drafts and improves overall efficiency of heater system. Includes all seals necessary to disassemble and reseal box and core. Precision die cut. Made in the USA.

ZWS-268	56-62	Heater box seal kit	14.99
---------	-------	---------------------	-------



### Fresh Air Door Repair

Repairs outer heater box cover at fresh air hose connection. Includes flapper door with seal and rod.

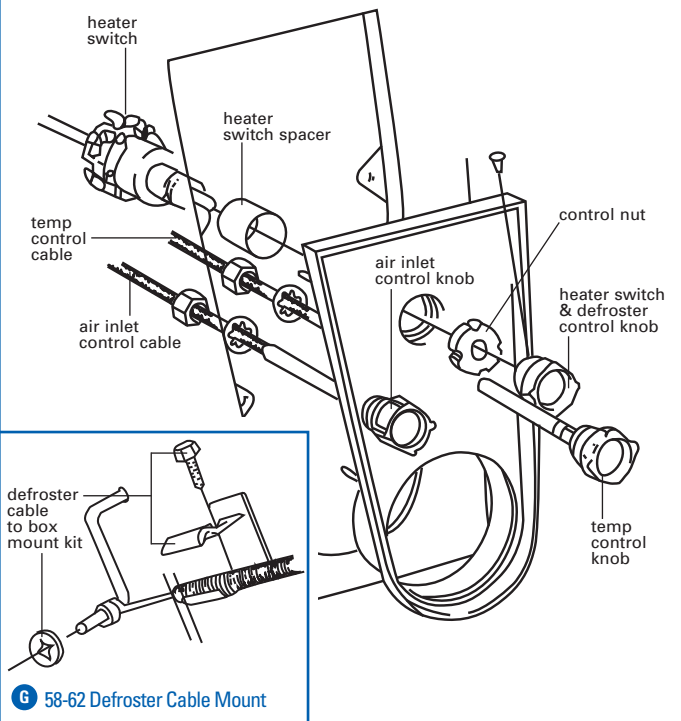
M-2728	56-62	Fresh air door repair kit	45.99
--------	-------	---------------------------	-------



**ZipSocial**     
Follow us and stay connected! [www.zip-corvette.com/social](http://www.zip-corvette.com/social)



**F 58-62 Defroster & Heater Cables**



**G 58-62 Defroster Cable Mount**

See page 90 for console backplate

**Heater Switch, Temperature Cables & Knobs**

D-400	58-60	Fresh air inlet control cable w/knob (F)	69.99
D-401	61-62	Fresh air inlet control cable w/knob (F)	69.99
D-501	58-60	Fresh air inlet control knob (F)	23.99
D-502	61-62	Fresh air inlet control knob (F)	23.99
D-849	53-57	Heater switch w/cable (F)	179.99
D-850	58-62	Heater switch w/cable (F)	169.99
D-758	58-62	Heater switch spacer (F)	7.99
D-404	58	Heater/defroster switch knob (F)	24.99
D-405	59-60	Heater/defroster switch knob (F)	31.99
D-406	61-62	Heater/defroster switch knob (F)	31.99
D-569	58-62	Heater/defroster switch nut (F)	17.99
TL-166	58-60	Heater/defroster switch nut tool	12.99
TL-137	61-62	Heater/defroster switch nut tool	13.99
D-402	58-60	Temperature control cable, w/knob (F)	69.99
D-403	61-62	Temperature control cable, w/knob (F)	69.99
D-501	58-60	Temperature control knob (F)	23.99
D-502	61-62	Temperature control knob (F)	23.99



**Vintage Air For Classic Corvettes!**

No debate, "cool cruising" in an early Corvette is one of life's more fun events – except when it's a sweltering summer day. Achieve true coolness with Zip's complete Vintage Air Gen IV SureFit™ air condition system. At its heart is fully electronic operation, meaning no balky cables or vacuum controls. Fly-by-wire servo motor controls piggyback off factory switches so no new holes need to be drilled in dash. Rotary controls fit in stock location to maintain original appearance. Additional features include variable blower speed and dash/floor/defrost blend.



Includes evaporator kit plus condenser and drier package. Evaporator kit comes complete with all mounting brackets, hardware, louvers, duct hose, wiring harness and installation instructions. No Discount.

AH-530	58-60	Vintage Air Gen IV air condition system	1479.99
AH-531	61-62	Vintage Air Gen IV air condition system	1479.99
AH-578	61-62	Vintage Air expansion tank relocation kit	49.99



**Defroster Box**

M-2730	56-57	Defroster box, pressboard w/hose	249.99
I-618	58-62	Defroster box, pressboard w/hose (E)	184.99
M-3538	56-62	Defroster box to blower motor housing hardware (6 pcs)	3.99
I-619	53-62	Defroster box hose (does both sides) (E)	29.99
M-2779	58-62	Defroster box hose support bracket (E)	13.99
M-3304	58-62	Defroster cable to box mount kit, includes clamp & retainer to hold cable to box (G)	3.49
M-3537	58-62	Heater cable retainer clip on defroster box	2.49



**Defroster Ducts & Bezels**

D-925	56-62	Defroster hose outlet duct (under dash)	ea 87.99
I-675A	53-57	Defroster upper bezel, chrome	ea 10.99
I-2956	53-57	Defroster upper bezel, chrome, U.S. Made	ea 36.99
I-675B	58-62	Defroster upper bezel, primer	ea 10.99
I-2957	58-62	Defroster upper bezel, primer, U.S. Made	ea 23.99
BL-610	53-62	Defroster upper bezel mount kit (6 pcs)	2.99



## Wiring Harnesses

### Dash & Main Harness

E-829	53-55	Dash harness, 53-54 All & 55 6-cylinder.....	509.99
E-828	55	Dash harness, V8.....	509.99
E-108	56-57	Dash harness.....	459.99
E-109	58-61	Dash harness w/fuse box (1,2,3,9,10,11).....	459.99
E-505	62	Dash harness w/fuse box (1,2,3,9,10).....	459.99

Note: Dash harness include forward lamp wiring harness.

E-1251	55-62	Dash harness light bulb socket, 1-wire metal socket.....	4.99
E-1251	55-62	Dash harness light bulb socket, 2-wire plastic socket.....	4.99
E-541	56-62	Dash harness to windshield bolt clips (set of 6).....	17.99
E-1261	56-57	Fuse block, replacement.....	44.99
E-712	58-62	Fuse block, w/buss bars & fuse clips.....	123.99
E-1107	56-57	Fuse block mount screws (2).....	1.99
E-545	58-62	Fuse block mount screws (2).....	1.99

### Engine Harness

E-832	53-55	Engine harness, 53-54 All & 55 w/6-cylinder (13).....	97.99
E-833	55	Engine harness, V8 Automatic (12,13,18).....	97.99
E-834	55	Engine harness, V8 Manual (12,18).....	97.99
E-113	56	Engine harness, Automatic (12,13,18).....	97.99
E-114	56	Engine harness, Manual (12,18).....	97.99
E-115	57E	Engine harness, Automatic (12,13,18).....	97.99
E-116	57E	Engine harness, Manual (12,18).....	97.99
E-835	57L	Engine harness, Automatic (12,13,18).....	97.99
E-836	57L	Engine harness, Manual (12,18).....	97.99

Note: '57-Early cars were built through March of '57.

E-117	57	Engine harness, F.I. Automatic (12,13,18).....	97.99
E-118	57	Engine harness, F.I. Manual (12,18).....	97.99
E-120	58-62	Engine harness, Manual (9,12,18).....	97.99
E-119	58-61	Engine harness, Automatic (9,12,13,18).....	97.99
E-121	62	Engine harness, Automatic (9,12,18).....	97.99

## Harnesses Required to Complete Installation

- 1 = Headlight bucket extension harness
- 2 = Front park/turn signal lamp extension harness
- 3 = Courtesy lamp harness
- 9 = Regulator to generator harness
- 10 = Cigarette lighter lamp harness
- 11 = Clock harness
- 12 = Coil to ballast resistor
- 13 = Neutral safety switch to starter extension lead
- 18 = Distributor to coil lead wire

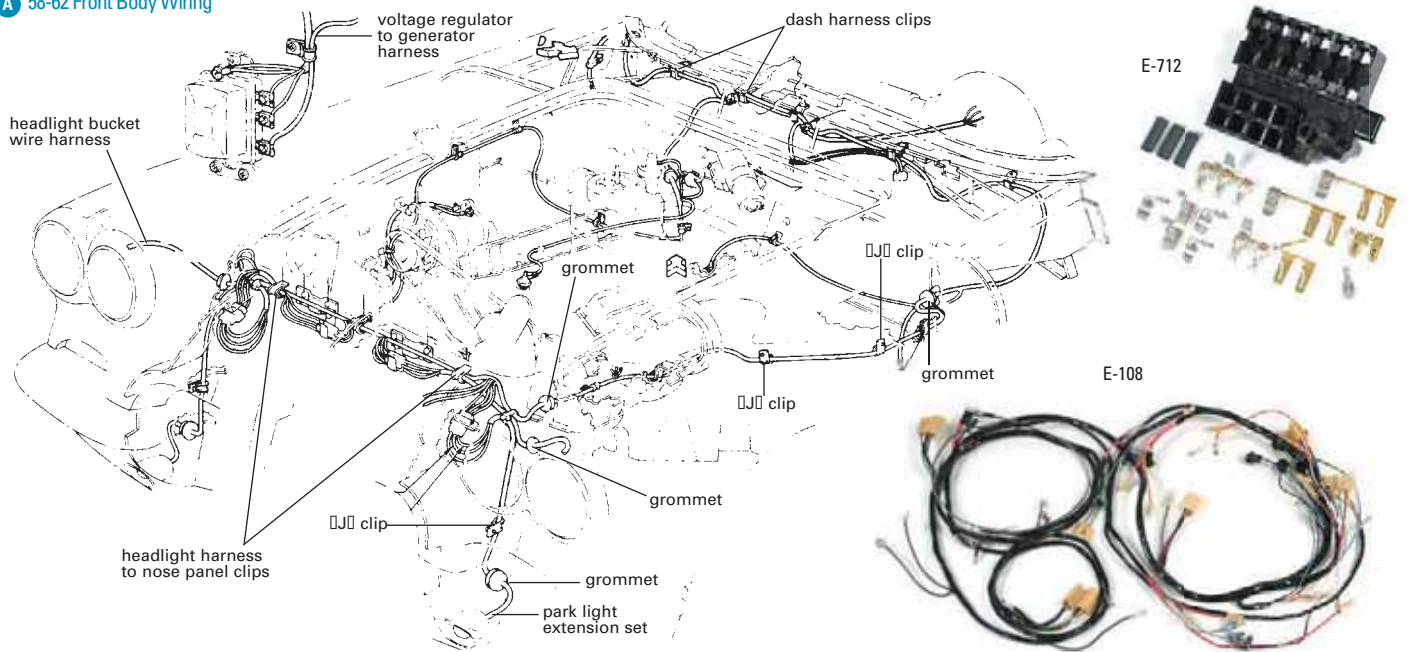
## Engine Compartment Harness

E-1128	53-55	Coil to coaxial condenser lead wire, 6-cylinder.....	12.99
E-827	55	Coil to coaxial condenser lead wire, V8.....	27.99
E-437	58-62	Coil to ballast resistor lead wire.....	12.99
E-830	53-55	Distributor to coil lead wire, 6-cylinder.....	12.99
M-2340	55-62	Distributor to coil lead wire.....	10.99
E-451	57	Fuel injection choke lead.....	23.99
E-452	58-61	Fuel injection choke lead.....	23.99
E-453	62	Fuel injection choke lead.....	23.99
E-847	53-54	Neutral safety extension, switch to starter motor relay.....	12.99
E-475	55-61	Neutral safety extension, switch to starter motor relay.....	12.99
E-492	58-62	Radio ground to valve cover wire.....	8.99
E-479	55-62	Wiper motor ground wire.....	12.99
E-716	55-57	Wiper motor power lead, inside armature cover.....	12.99
E-717	58-62	Wiper motor power lead, inside armature cover.....	12.99
E-838	58-59	Voltage regulator to generator harness (A).....	52.99
E-103	60-62	Voltage regulator to generator harness (A).....	42.99
E-839	55-62	Voltage regulator to generator harness mount kit (3 pcs).....	4.99

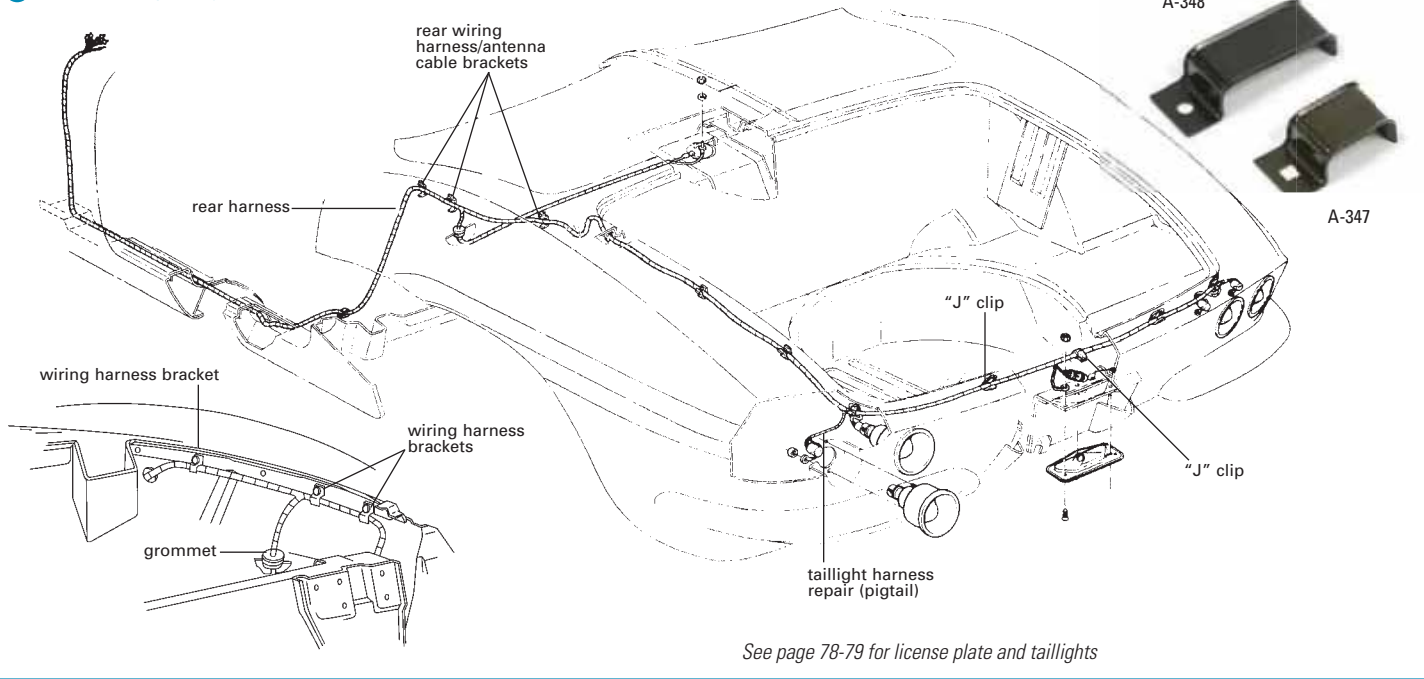
## Interior Compartment Harness

E-1157	58	Blower motor ground wire.....	12.99
E-1158	59-62	Blower motor ground wire.....	12.99
ES-571	53-57	Brake light switch conversion harness, converts later-style switch & bracket for use on 53-57 Corvette.....	15.99
E-1154	53-55	Cigarette lighter power lead wire.....	12.99
E-840	53-54	Cigarette lighter ground wire.....	12.99
E-576	55-57	Cigarette lighter ground wire.....	12.99
E-841	53-54	Cigarette lighter lamp lead wire w/shield.....	18.99
E-842	55-62	Cigarette lighter lamp lead wire w/shield.....	18.99
E-439	58-61	Clock harness w/bulb socket.....	20.99
E-441	56-57	Courtesy lamp extensions, set of 4.....	18.99
E-442	58-62	Courtesy lamp harness w/sockets.....	18.99
E-1263	55-62	Dash harness to lighter fused wire, original lighter.....	19.99
E-1264	55-62	Dash harness to lighter fused wire, replacement lighter.....	19.99
E-844	53-54	Heater leads, fuse panel to heater switch to blower motor.....	31.99
E-575	55-57	Heater leads, fuse panel to heater switch to blower motor.....	31.99
E-660	53-62	Horn wire, in steering column, attaches to upper column bearing.....	13.99
E-831	53-54	Emergency brake flasher leads.....	18.99
E-548	55-57	Emergency brake flasher leads.....	18.99
E-448	58-60	Park brake warning harness w/lamp assembly.....	18.99
E-449	61-62	Park brake warning harness w/lamp assembly.....	18.99
E-104	58-62	Turn signal, in column.....	24.99
E-1155	53-55	Turn signal flasher power lead wire.....	12.99

### A 58-62 Front Body Wiring



**B** 61-62 Rear Body Wiring



**Radio & Speaker**

E-1156	53-55	Radio coaxial condenser leads .....	18.99
E-850	53-54	Radio power lead .....	20.99
E-574	55-57	Radio power lead .....	20.99
E-492	58-62	Radio ground to valve cover wire .....	8.99
E-796	58-62	Speaker harness, radio to speaker .....	15.99

**Headlight & Park Lamp Harness**

E-843	53-55	Headlight bucket wire harness, includes grommets, retainer rings & braided wire (car set) .....	74.99
E-101	55-57	Headlight bucket wire harness, includes grommets & retainer rings, 8-cylinder 12-volt (car set) .....	64.99
E-102	58-62	Headlight bucket wire harness w/grommets (car set) (A) .....	64.99
E-542	58-62	Headlight harness to nose panel clips (set of 4) .....	18.99
E-837	53-54	Park light extension set, includes wiring, tubing, grommets & socket (car set) .....	109.99
E-613	55-57	Park light extension set, includes wiring, tubing, grommets & socket (car set) .....	109.99
E-614	58-62	Park light extension set, includes wiring, tubing & socket (car set) (A) .....	59.99



**Wiring Harness Tape**

Factory-spec, non-stick (non-goey!) PVC composition wrap is pressure sensitive and remains flexible under the most extreme underhood heat. Perfect for wrapping all of your Corvette's wiring. 100 ft roll.

E-1225	53-62	Wire harness tape, OE-type (.75") .....	18.99
E-1224	53-62	Wire harness tape, OE-type (1") .....	18.99
E-132	53-62	Wire harness tape, OE-type (1.25") .....	8.99
E-1226	53-62	Wire harness tape, cloth adhesive (1.25") .....	19.99
E-1227	53-62	Wire harness tape, hi-temp adhesive (1") .....	51.99

**Rear Light Harness**

E-845	53-55	License plate light leads, 53-54 All & 55 w/6-cylinder, must use original sockets .....	25.99
E-846	55	License plate light leads, must use original sockets .....	25.99
E-470	56-57	License plate light socket & lead wires .....	25.99
E-471	58-60	License plate light socket & lead wires .....	25.99
FG-107	56-60	License plate light wire grommet .....	ea 3.99
ES-572	61-62	License plate light socket repair .....	13.99
E-848	53-55	Rear harness, 53-54 All & 55 w/6-cylinder .....	136.99
E-849	55	Rear harness, V8 .....	136.99
E-509	56-57	Rear harness .....	116.99
E-124	58-60	Rear harness .....	116.99
E-125	61-62	Rear harness (B) .....	136.99
E-399	56-62	Taillight harness repair (pigtail) (B) .....	ea 13.99

*Note: '56-60 rear harnesses do not include license light sockets; '61-62 harness does include license light socket.*

**Wiring Harness Clips & Grommets**

E-1116	53-62	Wiring harness "J" clips w/screws, 1 1/4" (6) (A)(B) .....	19.99
E-1117	53-62	Wiring harness "J" clips w/screws, 1 5/8" (7) (A)(B) .....	20.99
M-3148	56-62	Wiring harness clip set, includes screws, (14) large & (6) small clips .....	49.99
SF-693	56-60	Wiring harness clips (2), used on 56-60 taillight, 56-57 voltage regulator, 56-57 horn relay & 56-57 RH headlamp .....	7.99
TR-141	56-62	Wiring harness clip screws (10) .....	5.99
E-541	56-62	Dash harness to windshield bolt clips (set of 6) (A) .....	17.99
E-542	58-62	Headlight harness to nose panel clips (set of 4) (A) .....	18.99
A-348	56-62	Rear wiring harness/antenna cable bracket, "long" (B) .....	6.99
A-347	56-62	Rear wiring harness/antenna cable bracket, "short" (B) .....	6.99
E-923	61-62	Trunk lid edge wiring harness clips (set of 8) (6) .....	17.99
FG-107	53-62	Wiring harness grommet, 7/8" diameter (A)(B) .....	ea 3.99
SF-755	53-62	Wiring harness grommet set, (9) 7/8" diameter .....	24.99
FG-108	56-62	Wiring harness grommet, 1 3/8" diameter .....	ea 5.49
SF-756	53-62	Wiring harness grommet, 4-hole .....	6.99





## Wiring Harnesses continued

### Power Window Harness

ES-573	56-62	Power window circuit breaker, 40 amp .....	22.99
DR-556	56-62	Power window switch, LH .....	119.99
DR-557	56-62	Power window switch, RH .....	89.99
E-851	56-62	Power window switch conversion harness, connects original harness to reproduction switches .....	18.99
E-129	56-57	Power window harness .....	159.99
E-513	58	Power window harness .....	159.99
E-130	59-62	Power window harness .....	159.99
DR-558	56-62	Power window harness conduits w/hardware .....	64.99
E-854	56-57	Power window motor conversion harness, adapts 56-57 harness to Type 2 (58-75) motor .....	14.99
E-853	56-57	Power window motor conversion harness, adapts 56-57 harness to Type 3 (76-82) motor .....	15.99
E-852	58-62	Power window motor conversion harness, adapts 58-62 harness to Type 3 (76-82) motor .....	15.99

### Power Top Harness

ES-573	56-62	Power top circuit breaker, 40 amp .....	22.99
E-668	56E	Power top main harness .....	166.99
E-669	56L-57	Power top main harness .....	166.99
E-670	58-62	Power top main harness .....	166.99
E-671	56-62	Power top main power lead .....	14.99
E-672	56E	Power top deck lid switch harness .....	75.99
E-673	56L-62	Power top deck lid switch harness .....	75.99
E-674	56E	Power top frame limit switch harness .....	75.99
E-675	56L-62	Power top frame limit switch harness .....	75.99
E-1129	56E	Power top harness ground strap .....	12.99
E-676	56L-62	Power top harness ground strap .....	24.99

## Zip Harness Guide

On the subject of harnesses, "How many?" and "Where does it go?" are two often-asked questions. To help determine which harness or harnesses you need, following are descriptions of the major ones found in Corvettes. Note your car also uses a number of single harness wires and ground wires to complete the electrical system.

**Headlight Bucket Wire Harness** connects from dash harness, runs inside headlight buckets.

**Parking Lamp Extension Harness** connects from dash harness to parking lights, includes parking light sockets.

**Engine Harness** connects voltage regulator, temperature sending unit, ballast resistor, starter motor and automatic transmission relay, runs through firewall and connects to ignition switch, temperature gauge and ammeter gauge. Voltage Regulator to Generator Harness connects generator to voltage regulator.

**Dash Harness** connects horn relay, horns, parking lamp connections and headlight bucket wiring harness, includes fuse block and connects to all gauges, gauge lights, headlight switch, radio, blower motor switch, cigarette lighter, dimmer switch, door jamb switches, turn signal switch connector, rear lamp harness connector, brake light switch and turn signal flasher.

**Power Top Harness** connects to starter motor and circuit breaker, through firewall to power top switch, through passenger compartment to safety switches, limit switches, solenoids and lift motor.

**Power Window Harness** connects to circuit breaker, runs through firewall to power window up/down switches and window motors.

**Emergency Brake Flasher Leads** connect from fuse block to emergency brake flasher switch, to flasher and lamp socket.

**Rear Lamp Harness** connects to dash harness and runs through passenger compartment to trunk area for taillights, license plate light connection and fuel tank sending unit.

## 53-62 Harness Packages

Your original wiring could be more than 50 years old! Zip's "one box" harness packages eliminate the electrical gremlins that often plague Corvettes due to faulty or missing wiring. Includes dash/main harness, engine harness, headlight buckets and rear harnesses, regulator to generator harness ('58-62 only), and a laminated wiring diagram.

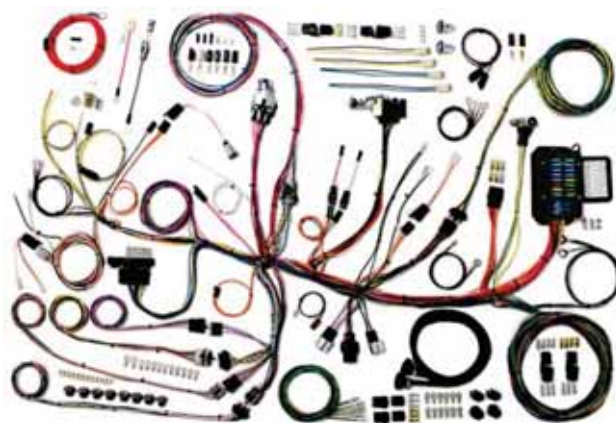


E-1022	53-55	Wiring harness package, 6-cylinder .....	799.99
E-1023	55	Wiring harness package, V8 Automatic .....	699.99
E-1024	55	Wiring harness package, V8 Manual .....	699.99
E-752	56	Wiring harness package, Manual .....	699.99
E-751	56	Wiring harness package, Automatic .....	699.99
E-754	57E	Wiring harness package, Manual (before 4/57) .....	699.99
E-1025	57L	Wiring harness package, Manual (after 4/57) .....	699.99
E-753	57E	Wiring harness package, Automatic (before 4/57) .....	699.99
E-1026	57L	Wiring harness package, Automatic (after 4/57) .....	699.99
E-1027	57	Wiring harness package, w/F.I. & Automatic .....	699.99
E-1028	57	Wiring harness package, w/F.I. & Manual .....	699.99
E-756	58-59	Wiring harness package, Manual .....	729.99
E-755	58-59	Wiring harness package, Automatic .....	729.99
E-760	60	Wiring harness package, Manual .....	729.99
E-759	60	Wiring harness package, Automatic .....	729.99
E-762	61	Wiring harness package, Manual .....	739.99
E-761	61	Wiring harness package, Automatic .....	739.99
E-764	62	Wiring harness package, Manual .....	739.99
E-763	62	Wiring harness package, Automatic .....	739.99

## Custom Wire Harness

Custom installs, LS conversions and highly optioned Corvettes are possible with today's resto-rod builders. Hence the reason the Custom Series wire harness package was created – to reduce build time while providing foresight, engineering and flexibility. Complete harness package covers from headlight to tail light and everything in between. Designed to allow you to choose your own routing AND include access for the most popular custom, aftermarket and original options. 12 volt.

E-1228	53-62	Custom wire harness package .....	899.99
E-1229	53-57	Optional park brake warning harness kit .....	49.99
E-1230	58-62	Optional park brake warning harness kit .....	49.99
E-1231	61-62	Optional 6-taillight harness kit .....	34.99
E-1232	61-62	Optional back-up light harness kit .....	34.99
ES-661	53-62	Optional courtesy light delay module kit .....	74.99



E-1228

## Battery Butler™

Keep your C1 Corvette's battery at full charge during storage with the Battery Butler. "Floating" circuitry and regulated output voltage means no overcharging. 6 or 12 volt operation. Simply plug it in and never have a dead battery again!



E-859	Battery Butler "float" charger .....	19.99
-------	--------------------------------------	-------

## Horn

M-3939	55-62	Horn, replacement (low note) (C)	24.99
M-2437	55-62	Horn, Delco replacement (low note) (C)	59.99
M-3940	55-62	Horn, replacement (high note) (C)	24.99
M-2438	55-62	Horn, Delco replacement (high note) (C)	59.99
M-3701	55-62	Horns, replacement metal housing w/universal bracket, high & low notes (car set)	119.99
BL-550	56-62	Horn mount hardware kit (6 pcs) (C)	4.99
M-3146	56-62	Horn mount nut plate w/rivets (C)	8.99
ES-320	55-62	Horn relay	22.99
SF-693	56-67	Horn relay wiring harness clips (2)	7.99
M-3533	55-62	Horn relay mount screws (2)	1.99
WW-290	61-62	Horn wire tie strap (white)	ea 2.99



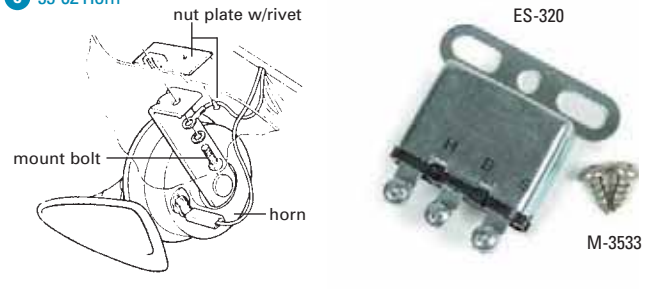
## 61-62 Reproduction Horns

Reproduction Delco-Remy "swirl design" horns. Zinc die-casting and precision stamped steel housings. Includes original style brackets. Semi-gloss finish. Low and high note.



M-4186	61-62	Reproduction horns	179.99
--------	-------	--------------------	--------

## C 55-62 Horn



## Horn Repair Kit

Repair kit includes rivets, gaskets and instructions to repair/refinish two horns.

M-2392	57-62	Horn repair kit	32.99
--------	-------	-----------------	-------



Visit us online: [www.zip-corvette.com/elc1](http://www.zip-corvette.com/elc1)  
How to disassemble & rebuild original horns



## Battery Disconnect Switch

"Turns off" slow drains to ensure maximum cranking power at every start-up. Mounts to negative post and disconnects circuit with a simple twist of the knob. 5amp jumper wire keeps clock or electronics powered.

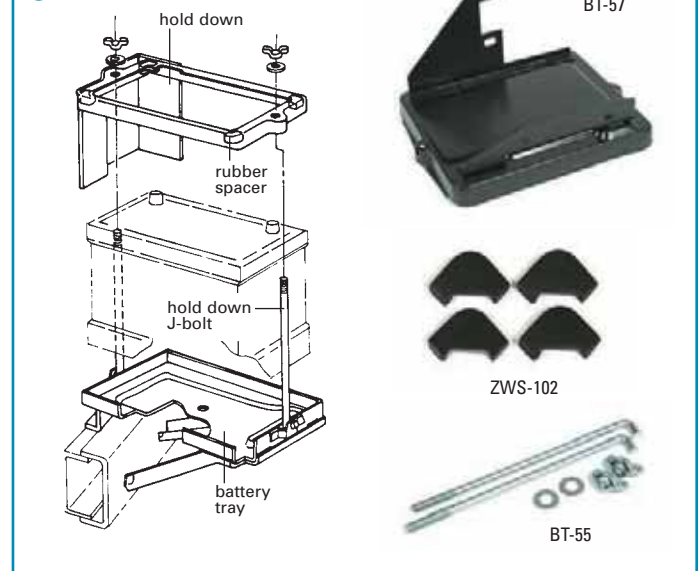


E-501	Battery disconnect, top post	10.99
E-1260	Battery disconnect switch jumper wire	6.99

## Battery Tray

X-4114	53-62	Battery cell saver insulation kit	22.99
BT-57	53-55	Battery tray (6-volt)	Call
BT-42	55-62	Battery tray w/legs, correct reproduction (D)	84.99
BT-54	55-62	Battery tray only (no legs), correct reproduction	67.99
BT-56	53-55	Hold down (6-volt)	31.99
BT-13	55-62	Hold down, w/heat shield (D)	24.99
BT-55	53-61	Hold down J-bolt & nut kit (6 pcs) (D)	9.99
BT-15	62	Hold down J-bolt & wing nut kit (6 pcs) (D)	11.99
ZWS-102	55-62	Hold down rubber spacers (4) (D)	3.99

## D 55-62 Battery Tray



## Battery Tray Kit

All components needed to replace damaged or missing battery tray. Includes correct tray, hold down, bolts, felts, spacers and nuts.

BT-46	55-61	Battery tray kit	129.99
BT-61	62	Battery tray kit	129.99



## Battery Cables

Reproduction battery cables have correct factory markings and cast ends. '55-61 cables are bolt-type; '62 are "spring ring". Sold in pairs.

E-133	55-61	Battery cables, reproduction	99.99
E-128	62	Battery cables, reproduction	109.99
ZE-227	53-62	Battery post felt	ea 1.99





## Ground Strap Kit

Includes all required straps to properly ground antenna, motor mounts, exhaust, radio, wiper motor and accelerator.

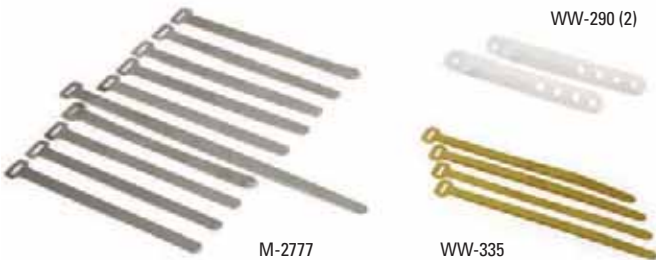
M-135	55-60	Ground strap & wire kit (8 pcs).....	32.99
M-3534	61-62	Ground strap & wire kit (8 pcs).....	32.99



## Tie Straps

Correct tie straps to properly route and secure engine compartment wiring harnesses, washer hoses, heater hoses and cables.

WW-335	56-60	Tie straps, brass (4).....	18.99
WW-290	58-62	Tie straps, plastic, used for wiper switch cable..... ea	2.99
M-2777	61-62	Tie straps, aluminum (10).....	17.99



## Fuse & Flasher Kit

If you're installing a new dash harness, or just want to have extras in-hand in case of trouble on the road, Zip's kit includes all the required fuses and flashers you'll need – plus a spare fuse of each amperage, an additional flasher and a handy fuse puller.

E-855	53-54	Fuse & flasher kit (7 pcs).....	13.99
E-855	55	Fuse & flasher kit, 6-cylinder (7 pcs).....	13.99
E-547	55-57	Fuse & flasher kit (12 pcs).....	16.99
E-546	58-62	Fuse & flasher kit (10 pcs).....	16.99



## Electrical Miscellaneous

ES-562	58-62	Ammeter gauge capacitor, correct reproduction.....	79.99
ES-518	53-55	Turn signal flasher, 6-volt.....	15.99
ES-521	55-62	Turn signal flasher, 12-volt.....	8.99
ES-538	55-62	Generator capacitor #01911095.....	21.99
ES-540	56-59E	Ignition coil capacitor #01929070.....	21.99
E-484	59L-62	Ignition coil capacitor #01947452.....	21.99
ES-539	55-62	Voltage regulator capacitor #01917580.....	21.99



## Temperature Sender

M-3517	56	Temperature sender, mounts in engine.....	25.99
M-3511	57-62	Temperature sender, mounts in engine.....	22.99

Note: Zip's '56-62 temperature senders are calibrated correctly and include "AC-Delco – Made in USA" markings.

E-1152	56	Temperature wire repair kit.....	13.99
E-1153	57-62	Temperature wire repair kit.....	13.99

Note: Include correct color wire, asphalt loom, connector and terminal. Pre-assembled.

ZM-146	56-62	Temperature wire insulation only.....	3.99
M-3134	56-60E	Temperature wire valve cover clips (2).....	10.99

Note: Early valve cover clips were used until March of '60.

M-239	60L-62	Temperature wire valve cover clips (2).....	7.99
-------	--------	---	------



## Wiring Diagram

A must-have for Corvette owners who like to work on their cars. Valuable reference when replacing complete harness, or use to trace individual wires when diagnosing shorts and similar. 17" x 22" laminated.

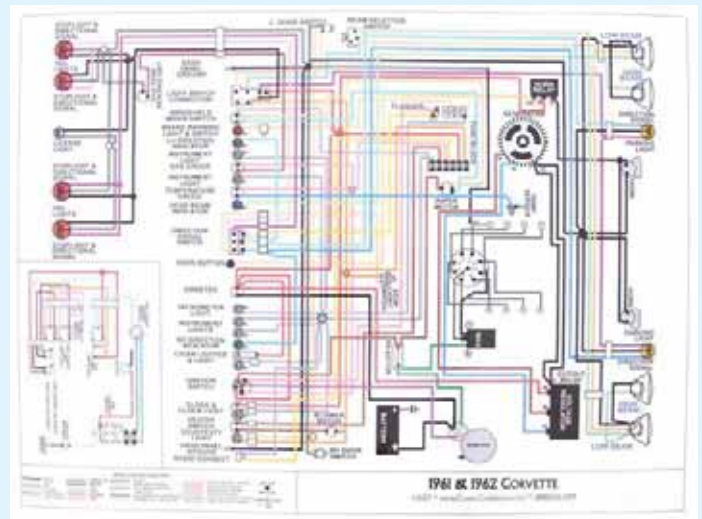


E-856	53-55	Wiring diagram, 6-cylinder.....	13.99
E-368	55-57	Wiring diagram.....	13.99
E-369	58-60	Wiring diagram.....	13.99
E-370	61-62	Wiring diagram.....	13.99

## Color Wiring Diagram

Full color wiring diagram designed to make tracing those hard to identify wires even easier. Every wire in its own correct color. Produced from original factory service manual. Available in laminated 11x17" or 18x24". Specify year.

E-1304	53-62	11x17" color wiring diagram.....	17.99
E-1307	53-62	18x24" color wiring diagram.....	29.99



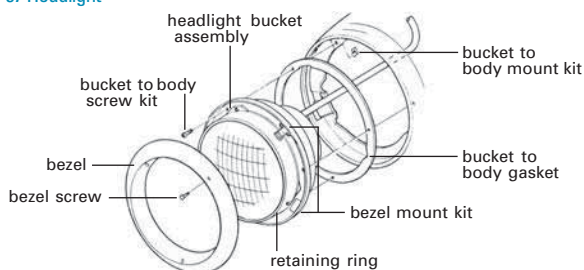


## Headlights

### 53-57 Headlight Bucket & Bezel

HDL-410	53-55	Bezels, chrome plated die cast	ea	229.99
ET-466	53-55	Bezel screens (2)		224.99
HDL-342	56-57	Bezels (2) (E)		129.99
HDL-283	56-57	Bezel gaskets (2)		10.99
HDL-229	56-57	Bezel mount kit, includes brackets & rivets (car set) (E)		49.99
HDL-284	56-57	Bezel mount screws & J-nuts (12 pcs)		8.99
HDL-404	55-57	Bulb (E)	ea	12.99
HDL-345	55-57	Bulb, halogen (E)	ea	24.99
HDL-403	56-57	Bulb retaining cup (E)	ea	29.99
HDL-341	56-57	Bulb retaining ring, stainless (E)	ea	14.99
HDL-356	56-57	Bulb retaining ring, stainless (3-tab design) (E)	ea	13.99
SF-765	56-57	Capsule adjuster screws (4)		5.99
HDL-361	56-57	Capsule adjuster set, for OE-style buckets (car set)		19.99
M-3785	56-57	Capsule adjuster support (4) brackets & (8) rivets		14.99
HDL-316	56-57	Capsule adjuster mount rivets (16)		5.49
HDL-393	56-57	Capsule tension spring, offset	ea	2.49
HDL-281	56-57	Headlight bucket assembly, includes housing w/installed adjusters, cup springs & bezel mount brackets (E)	ea	119.99
PFG-415	56-57	Headlight bucket retainer, fiberglass (LH or RH) (pm)		66.99
HDL-347	56-57	Headlight bucket to body mount kit, clutch head screws w/J-nuts (16 pcs) (E)		13.99
SF-542	56-57	Headlight bucket to body clutch head screw kit (8) (E)		5.99
HDL-220	53-57	Headlight bucket to body gasket (E)	ea	5.99
HDL-285	53-57	Headlight bucket wiring harness grommet	ea	9.99
SF-693	56-57	Headlight bucket wiring harness clips, RH bucket (2)		7.99

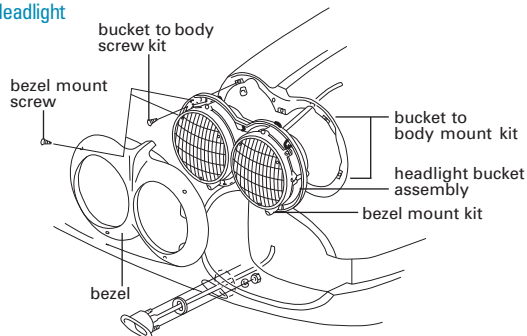
#### E 56-57 Headlight



### 58-62 Headlight Bucket & Bezel

L-456	58-62	Headlight bucket assembly, includes metal buckets, springs, adjusters & bezel mount kit (per side) (F)		146.99
HDL-318	58-62	Headlight bucket assemblies (car set)		249.99
HDL-274	58-62	Headlight bucket to body mount kit, clutch head screws w/J-nuts (28 pcs) (F)		21.99
SF-689	58-62	Headlight bucket to body clutch head screw kit (14) (F)		7.99
FG-107	58-62	Headlight bucket wiring harness grommet	ea	3.99
ET-19	58-60	Bezels, reproduction, chrome (2) (F)		169.99
ET-20	61-62	Bezels, primed (paint to match) (F)	ea	74.99
ET-396	61-62	Bezel chrome extensions (2)		43.99
HDL-148	58-62	Bezel mount kit, includes brackets & rivets (car set) (F)		56.99
ZSF-429	58-62	Bezel mount screws (8) (F)		3.99

#### F 58-62 Headlight



## T-3 Headlamp Bulbs

Improved brightness and longer life. Correct in every detail, including "T3" and GUIDE markings. Built using GM blueprints. GM licensed.



L-440	58-59	Bulbs, reproduction T-3 (4)		Call
L-441	60-62	Bulbs, reproduction T-3 (4)		139.99

### 58-62 Headlight Bulb & Mounting

HDL-384	58-62	Bulb, low beam, original style (w/o T3 marking)	ea	12.99
HDL-228	58-62	Bulb, low beam, halogen	ea	11.99
HDL-383	58-62	Bulb, high beam, original style (w/o T3 marking)	ea	12.99
HDL-227	58-62	Bulb, high beam, halogen	ea	11.99
HDL-261	58-62	Bulb mount cup, inner bulb, LH (code D)		16.99
HDL-262	58-62	Bulb mount cup, inner bulb, RH (code B)		16.99
HDL-260	58-62	Bulb mount cup, outer bulb, LH (code A)		16.99
HDL-259	58-62	Bulb mount cup, outer bulb, RH (code C)		16.99
HDL-387	58-62	Bulb retaining ring, stainless steel (2 tab)	ea	9.99
ZSF-345	58-62	Bulb retaining ring screw set (12)		4.99
SF-578	58-62	Capsule adjuster screws, correct 1" (8)		7.99
M-3785	58-62	Capsule adjuster support (4) brackets & (8) rivets, 2 per car		14.99
HDL-316	58-62	Capsule adjuster mount rivets (16)		5.49
HDL-393	58-62	Capsule tension spring, offset	ea	2.49



### Bulb Replacement Kit

Zip's everything-you'll-need kit includes mount cups, capsule tension springs, capsule adjusters, retainer rings and screw set. Car set.



HDL-317	58-62	Bulb replacement kit		129.99
---------	-------	----------------------	--	--------

### Headlight Electrical

ES-507	53-54	Headlight on/off switch		64.99
ES-456	55-57	Headlight on/off switch		41.99
ES-100	58-62	Headlight on/off switch		29.99
ES-632	53-54	Dimmer switch		15.99
ES-640	55-57	Dimmer switch		26.99
ES-493	58-62	Dimmer switch		24.99
ES-529	58-62	Dimmer switch repair plug & terminals		4.49
ES-471	55-62	Dimmer switch screws (4 pcs)		1.99
D-757	56-57	Headlight switch knob & rod		24.99
D-507	58-60	Headlight switch knob & rod		29.99
D-441	61-62	Headlight switch knob & rod		34.99
D-773	56-57	Headlight switch nut		22.99
D-506	58-60	Headlight switch nut		14.99
D-505	61-62	Headlight switch nut		13.99
TL-166	58-60	Headlight switch nut tool		12.99
TL-137	61-62	Headlight switch nut tool		13.99
E-843	53-55	Headlight bucket wiring harness, 6-volt (2)		74.99
E-101	55-57	Headlight bucket wiring harness, 12-volt (2)		64.99
E-102	58-62	Headlight bucket wiring harness (2)		64.99

Note: Headlight bucket harnesses include bucket grommets. Sold in car set.



## Lights

### 56-60 License Plate Light

L-103	56-57	License light housing assembly, assembled w/all screws, lenses, backplates & chrome bezels (car set).....	139.99
L-104	58-60	License light housing assembly, assembled w/all screws, lenses, backplates & chrome bezels (car set).....	139.99

Note: Rear wiring harnesses include license lamp socket.

L-105	56-60	License light lens .....	ea 12.99
L-543	56-60	License light lens backplate .....	ea 9.99
ZWS-156	56-60	License light lens gaskets (2).....	4.49
L-380	58-60	License light to bumper nut plates (2).....	33.99
ZSF-439	56-60	License light housing screws (4).....	2.49
E-470	56-57	License light sockets & lead wires (2).....	25.99
E-471	58-60	License light sockets & lead wires (2).....	25.99



### 61-62 License Plate Light

L-455	61-62	License light assembly, complete w/housing, correct lens & gasket.....	109.99
ZWS-4428	61-62	License light body gasket .....	4.99
ES-572	61-62	License light bulb socket repair, repairs rear harness.....	13.99
L-203A	61-62	License light lens .....	13.99
ZWS-366	61-62	License light lens gasket .....	3.99
L-457	61-62	License light lens screws, correct (2) .....	3.99
ZSF-329	61-62	License light housing to body mount hardware (12 pcs).....	3.99



## Light Bulb Kit

All bulbs needed to correctly restore your Corvette's interior and exterior lighting (headlights excluded). Also includes helpful guidelines as to the function and location of each bulb.

L-505	53-54	Light bulb kit (19 pcs).....	18.99
L-505	55	Light bulb kit, 6-cylinder (19 pcs).....	18.99
L-458	55-57	Light bulb kit (19 pcs).....	16.99
L-424	58-59	Light bulb kit (17 pcs).....	16.99
L-425	60	Light bulb kit (17 pcs).....	16.99
L-426	61-62	Light bulb kit (18 pcs).....	16.99

Note: All interior and exterior bulbs are available individually, call your Zip Products sales representative for details and pricing.

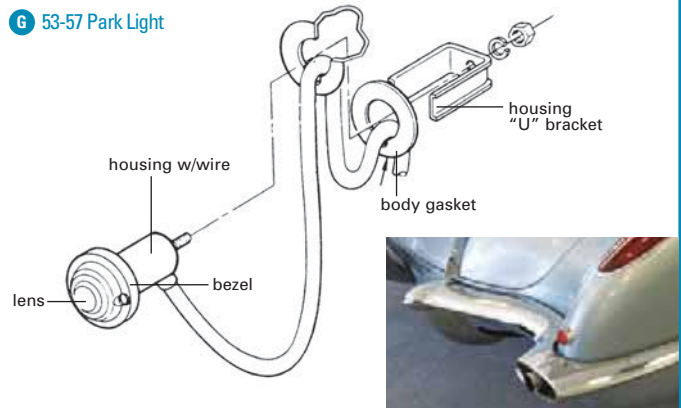


## Park Lights

L-100	58-62	Park light assembly, includes housing, socket & lens (LH or RH).....	110.99
SF-736	58-62	Park light mount hardware (per side) .....	3.49
L-503	53-57	Park light housing "U" bracket (G).....	ea 17.99
ZWS-131	53-57	Park light body gaskets (2) (G).....	3.99
ZWS-274	58-62	Park light body gaskets (2).....	3.99
L-338	53-62	Park light lens w/gasket, glass (G).....	ea 19.99
L-334	53-57E	Park light lens bezel, round edge (G).....	ea 16.99
L-335	57L-62	Park light lens bezel, square edge (G).....	ea 15.99
L-506	53-57	Park light lens bezel barrel nut set (4).....	13.99
ZWS-132	53-62	Park light lens gaskets (2).....	3.99
ZSF-328	58-62	Park light lens screws (2).....	1.49
E-837	53-54	Park light wiring harness set, includes wiring, tubing, grommets & socket (car set).....	109.99
E-613	55-57	Park light wiring harness set, includes wiring, tubing, grommets & socket (car set).....	109.99
E-614	58-62	Park light wiring harness set, includes wiring, tubing & socket (car set).....	59.99



### G 53-57 Park Light



## Park Light Assembly

Complete and ready to install. Includes lens, bezel, gasket, bulb, reflector, socket, mount bracket, grommet and harness. Sold as pair.

L-535	53-55E	Park light assemblies.....	269.99
L-536	55L-57	Park light assemblies.....	269.99



Left-hand ("LH") = driver's side; right-hand ("RH") = passenger side



## 56-60 Taillights

SF-693	56-60	Taillight wiring harness clips (2)	7.99
ZWS-142	56-60	Taillight housing to body gaskets (2) (H)	4.99
ZSF-496	56-57	Taillight housing to body screws, chrome (2) (H)	3.49
SF-690	58-60	Taillight housing to body hardware, includes studs, bolts & washers (20 pcs)	7.99
L-468	56-57	Taillight lens (H)	ea 22.99
ZWS-143	56-57	Taillight lens gaskets (2)	4.99
SF-495	56-57	Taillight lens screws (4)	4.99
L-339	58-60	Taillight inner lens, correct green edge	ea 12.99
ZWS-253	58-60	Taillight inner lens gaskets (2)	4.99
SF-495	58-60	Taillight inner lens screws (4)	4.99
L-102	58-60	Taillight outer lens, reproduction	ea 49.99
ZWS-252	58-60	Taillight outer lens gaskets (2)	5.99
SF-441	58-60	Taillight outer lens screws & nylon washers (16 pcs)	7.99
ZL-353	58-60	Taillight lens felt wicks, prevents moisture build up (4)	4.49
E-399	56-60	Taillight wiring harness plug & pigtail	ea 13.99



## 56-62 Taillights Kit

Get a "showroom-fresh" look with a new set of taillights. Complete assemblies include factory lenses, housings, sockets.



L-485	56-57	Taillights (car set) (H)	699.99
L-486	58-60	Taillights (car set)	669.99
L-531	61-62	Taillights (car set)	379.99



## LED Light Bulbs

LED light bulbs. Direct replacement. Available in 12 LED or Super Bright 2-watt option in your choice of color. Sold individually.



L-608	58-62	1156 white LED bulb (Super Bright 2-watt)	22.99
L-625	56-62	1157 red LED bulb	12.99
L-610	56-62	1157 red LED bulb (Super Bright 2-watt)	22.99
L-624	56-62	1157 white LED bulb	12.99
L-609	56-62	1157 white LED bulb (Super Bright 2-watt)	22.99

## LED Headlight Bulb

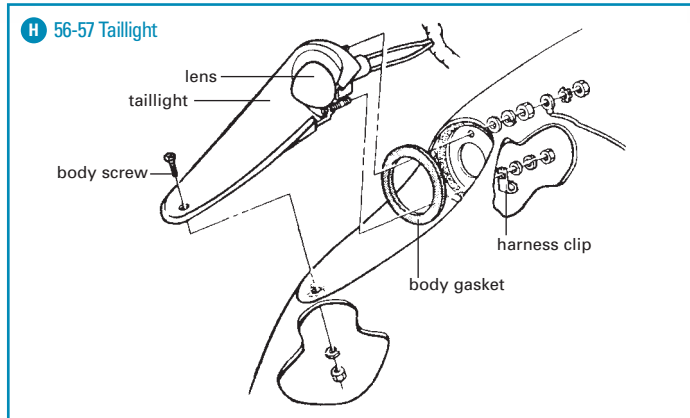
Super cool LED headlight bulb with white LED position bar. Can be used for low or high beam application. Plugs directly into harness. Sold each.



HDL-409	58-62	LED headlight bulb w/light bar	259.99
---------	-------	--------------------------------	--------

## 61-62 Taillights

L-109	61-62	Taillight, inboard (LH or RH)	99.99
L-448	61-62	Taillight, outboard (LH or RH)	99.99
ZWS-455	61-62	Taillight body gaskets (4)	6.99
L-206	61-62	Taillight lens	ea 10.99
ZL-353	61-62	Taillight lens felt wicks, prevents moisture build up (4)	4.49
ZWS-456	61-62	Taillight lens gaskets (4)	6.99
ZSF-328	61-62	Taillight lens screws (2)	1.49
SF-531	61-62	Taillight mount speed nuts (8)	2.99
TR-13	61-62	Taillight protector cones, gray, inside trunk area (4)	34.99
E-399	61-62	Taillight wiring harness plug & pigtail	ea 13.99



## LED Lights

Super-bright LED assemblies offer quicker "light-up" and heightened visibility over OE bulbs. Plug-in install requires no modifications. Assemblies include replacement lens with LED bulbs. Note: LEDs draw less current than standard bulbs, resulting in fast-flashing signals. Zip recommends L-546 electronic flasher to restore correct operation of turn signal indicators.

L-577	53-62	Park light lens & bulb assembly (clear)	32.99
L-578	53-62	Park light lens & bulb assembly (amber)	32.99
L-558	56-57	Taillight lens & bulb assembly	32.99
L-560	58-62	Taillight lens & bulb assembly	32.99
L-581	56-57	Taillight lens, gasket & hardware set (2 pcs)	69.99
L-582	58-60	Taillight lens, gasket & hardware set, inner (2 pcs)	69.99
L-583	61-62	Taillight lens, gasket & hardware set (4 pcs)	119.99
L-546	56-62	Electronic flasher	14.99



**ZipSocial**     
Follow us and stay connected! [www.zip-corvette.com/social](http://www.zip-corvette.com/social)





Restoration by JeffLilly.com

The best paint and shiniest chrome quickly lose luster when masking a worn interior. The cure? Build your own interior package and save 10%! A same-order purchase of carpet, door panels and seat covers triggers our Restorer's Discount – and once there the more dollars spent mean the more dollars saved. From molded to cast to painted to polished, Zip stocks all manner of correct components to return your Corvette's interior to assembly line new!

### Add to your interior package and continue to save!

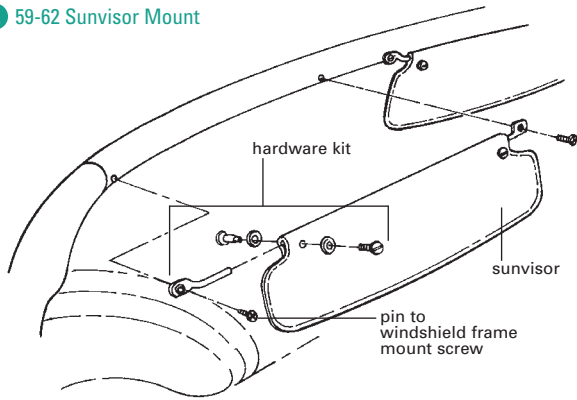
- Armrests • Kick panels • Sill plates • Convertible hardtop headliner
- Reproduction floor mats • Firewall insulation • Glove box • Seat foam • Seat frames and seat tracks • Seat belts • Ash tray and lighter • Shifter console plate • Center radio console • Courtesy light • Clock • Dash pad • Dash rail cover • Dash insert • Grab bar
- Switch knobs • Mirror • Radio knobs and speaker • Gauges
- Speedometer • Tachometer • Sunvisors • Trunk liner and mat.

## 10% OFF RESTORER'S DISCOUNT

HOW IT WORKS – Retail customers receive 10% savings on a minimum purchase of \$850.00 of any combination of parts and/or accessories from this catalog or Zip's Web store. Sorry, No Discount ("ND") items may be included in total value but are not eligible for discount. Offer applies to a single order only and some restrictions apply, call for details.



**A 59-62 Sunvisor Mount**



**Sunvisors**

I-211	59-62	Sunvisors, specify color (pair) (A) .....	122.99
I-212	59-62	Sunvisor hardware kit, replacement (car set).....	14.99
I-2470	59-62	Sunvisor hardware kit, correct (car set).....	22.99
ZSF-108	59-62	Sunvisor pin to windshield frame mount screws (4) (A).....	2.99
TL-139	59-62	Sunvisor nut special screwdriver tip .....	9.99



**Interior Dye**

Restore or change the color of your Corvette's interior. Vinyl dye flexes with the surface its applied to and will not crack, peel or rub off. Permanently adheres to carpet, door panels, seat covers, dash pads, fiberglass, plastic, metal and hard rubber with proper prep. Specify year and factory interior color.



DYE53	Interior dye, 12 oz. aerosol .....	21.99
DYE153	Interior dye, quart .....	85.99

**Adhesion Promoter**

The "secret weapon" pros use to make interior dye really stick. Simply spray dye on top of a fresh coat of adhesion promoter to chemically bond dye to panel. Proper prep makes the difference! 11 oz. aerosol.



MG-98	Adhesion promoter .....	8.99
-------	-------------------------	------

Visit us online: [www.zip-corvette.com/int1](http://www.zip-corvette.com/int1)  
 Tips & techniques for dyeing plastic & vinyl parts

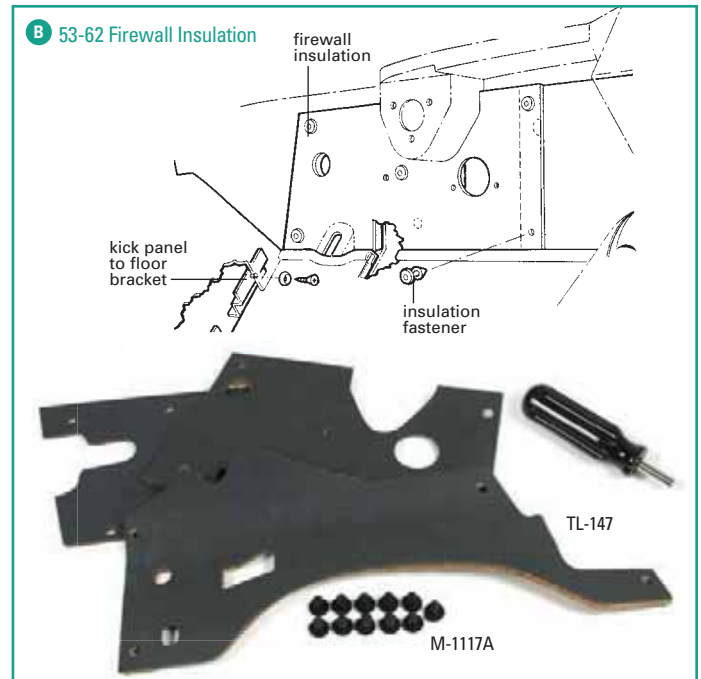


**Firewall Insulation**

Fiberboard-backed insulation mounts to interior compartment side of firewall (behind dash). Individual pieces are precision cut and molded to fit specific applications. '56-62 sets include fasteners. Car set.

M-3555	53-54	Firewall insulation (B) .....	179.99
M-3556	55	Firewall insulation, V8 (B) .....	179.99
M-1117A	56-57	Firewall insulation w/fasteners (B) .....	179.99
M-3825	58-59E	Firewall insulation w/fasteners, carb w/heater .....	179.99
M-1117B	59L-61	Firewall insulation w/fasteners, carb w/heater (B) .....	179.99
M-1117C	58-61	Firewall insulation w/fasteners, w/o heater (B) .....	209.99
M-1117D	58-61	Firewall insulation w/fasteners, F.I. w/heater (B) .....	209.99
M-1117E	62	Firewall insulation w/fasteners (B) .....	209.99
M-3369	56-62	Firewall insulation fastener, "JM" (11 per car) (B).....	ea 3.49
TL-147	56-62	Firewall insulation fastener tool.....	7.99

**B 53-62 Firewall Insulation**



**Replacement Insulation**

ABS plastic with embossed grain and fiberglass insulation. Scratch, scuff and moisture resistant. An excellent alternative to potential repeat replacement of fiberboard insulation. Car set.

M-3875	53-55	Replacement firewall insulation .....	239.99
M-3558	56-57	Replacement firewall insulation .....	239.99
M-3559	58-62	Replacement firewall insulation .....	239.99

**Interior Screw Set**

Includes approximately 90% of all screws needed when undertaking a full-on interior restoration. Correct size and finish fasteners are marked for specific use. See table below for specific content.

ZSF-353	56-57	All (62 pcs).....	32.99
ZSF-311	58	All (122 pcs).....	44.99
ZSF-312	59-60	All (149 pcs).....	49.99
ZSF-313	61-62	All (127 pcs).....	44.99



ZSF-311



## Door Panels

### 53-55 Door Panels

Original-style vinyl covers to be mounted on original doors. Feature correct grain and stitching as original. Sold in pairs.

I-1971	53-55	Door panel vinyl covers (ND) .....	459.99
I-1972	53-55	Door panel upper rail covers (2).....	42.99
I-1973	53-55	Door panel upper rail cover foam kit (2).....	19.99
I-1970	53-55	Door panel upper rails w/cover installed (2) (ND).....	289.99
I-699	53-55	Ashtray.....ea	59.99
I-1979	53-55	Ashtray bezel.....ea	14.99
I-2958	53-55	Side curtain release knobs (2) .....	45.99

### 56-57 Door Panels

OE-style vinyl mounted on cardboard or steel as original. Includes correct waffle pattern as original. Specify color. Sold in pairs.

I-1436	56-57	Door lower panels, assembled less trim w/upper rail covers .....	529.99
I-1974	56-57	Door upper rail covers (2).....	42.99
I-1975	56-57	Door upper rail cover foam kit (2).....	17.99
I-438	56-57	Door upper rails w/covers installed (2) .....	329.99
I-280	56-57	Deluxe lower door panels, assembled, includes mounted door panels w/trim, sheet metal installed & rail covers .....	999.99
I-1589	56-57	Deluxe door panels, complete, includes lower door assembled w/trim & sheet metal, covered upper rails, opening trim panel & door pull (ND).....	1669.99



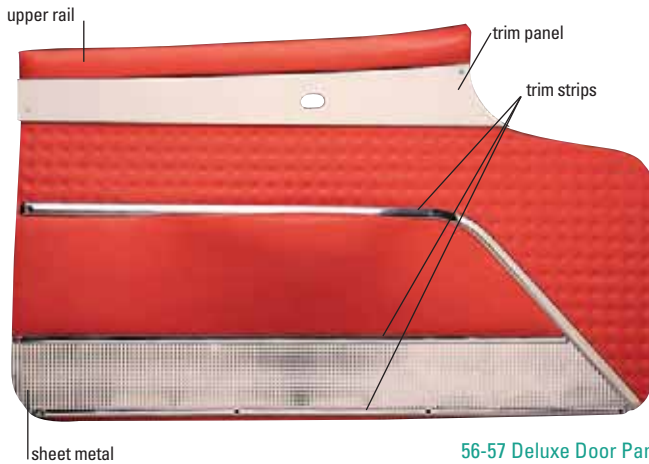
53-55 Door Panel

### 58 Door Panels

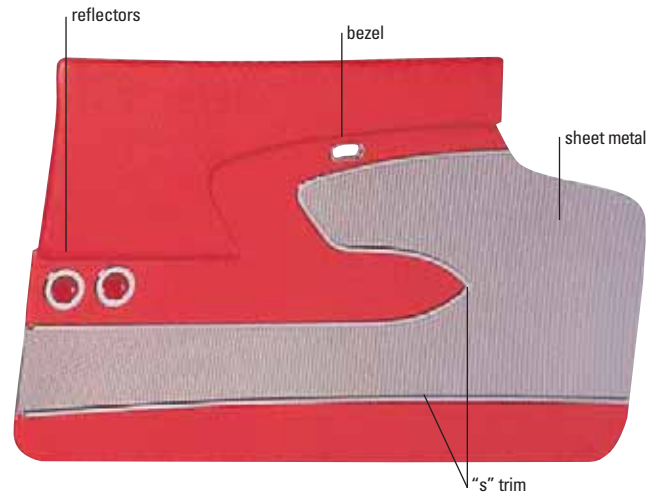
OE-style vinyl mounted on cardboard or steel as original. Includes correct grain as original. Specify color. Sold in pairs.

I-279	58	Door lower panels.....	399.99
I-239	58	Door upper metals w/covers installed .....	229.99
I-281	58	Deluxe door lower panels, assembled, includes cover for upper metal .....	1249.99

Completely assembled lower deluxe door panels include installed "S" trim, sheet metal, reflectors, opening knob bezels and grommets. Armrest assemblies and upper metal not included. Specify color. Sold in pairs.



56-57 Deluxe Door Panel



58 Deluxe Door Panel

### 56-57 Door Panel Hardware

I-2100	56-57	Armrest foams (2) .....	65.99
I-1225	55-57	Armrest pull cup.....ea	19.99
SF-684	56-57	Armrest pull cup screws (8 pcs).....	3.49
I-2254	56-57	Armrest pull cup support bracket .....	28.99
I-437	56-57	Door opening trim panels (2) .....	189.99
ZSF-430	56-57	Door panel screws (28) .....	5.99
I-1432	56-57	Door panel screw grommets (20).....	13.99
DR-411	56-57	Door panel screw repair kit, repairs stripped-out fiberglass holes in door, (20) plates w/rivets.....	26.99
I-1433	56-57	Door panel lower sheet metals (2) .....	199.99
I-248	56-57	Door panel trim strips (6), stainless.....	215.99
I-1977	56-57	Door upper rail front retainers (2).....	14.99

### 58 Door Panel Hardware

I-271	58	Deluxe armrest assemblies, complete, includes installed cover on base & chrome ends, specify color (pair).....	319.99
I-933	58	Armrest covers, specify color (2) .....	42.99
I-213	58	Armrest chrome ends (2).....	119.99
SF-759	58	Armrest mount screws, correct fillister head (6) .....	4.99
I-209	58	Armrest plastic bases(2) .....	89.99
SF-758	58	Armrest plastic base reinforcement screws (4).....	3.39
I-235	58	Door opening knob bezels (2).....	25.99
I-1650	58	Door panel reflectors w/brackets (car set) .....	59.99
I-1651	58	Door panel reflector brackets (4) .....	15.99
ZSF-104	58	Door panel screws (18) .....	5.99
ZSF-465	58	Door panel screw flush washers (8) .....	6.99
DR-411	58	Door panel screw repair kit, repairs stripped-out fiberglass holes in door, (20) plates w/rivets.....	26.99
I-776	58	Door panel & kick panel sheet metal set, pre-punched for installation (car set) .....	359.99
I-220	58	Door panel "S" trim moldings (12 pcs) .....	229.99





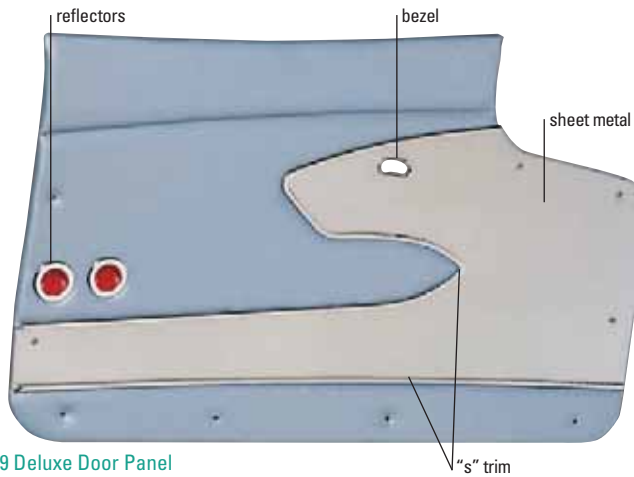
## 59-61 Door Panels

With or without upper metal support installed. Transfer trim from existing panels. Specify color. Sold in pairs.

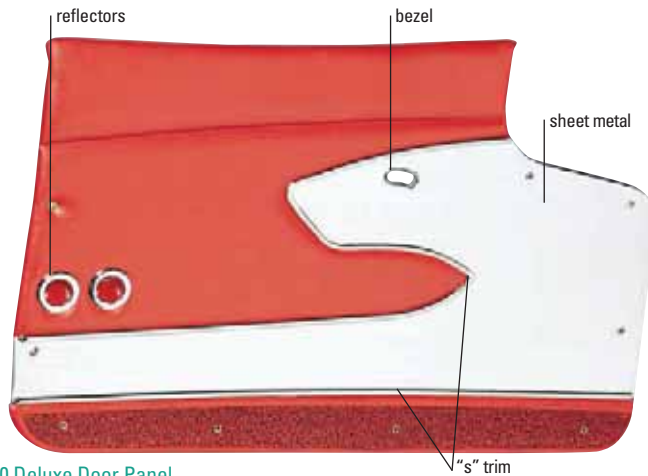
I-200	59	Door panels, w/o metal support	349.99
I-277	59	Door panels, w/upper metal support	479.99
I-267	60-61	Door panels, w/o metal support	339.99
I-268	60-61	Door panels, w/upper metal support	479.99

Completely assembled deluxe panels include installed "S" trim, sheet metal, reflectors, opening knob bezels, upper metal supports and grommets. Armrest assembly not included. Specify color. Sold in pairs.

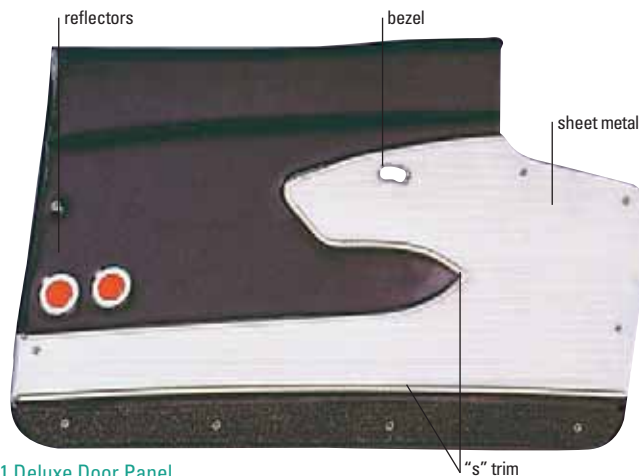
I-282	59	Deluxe door panels	1279.99
I-269	60	Deluxe door panels	1279.99
I-270	61	Deluxe door panels	1279.99



59 Deluxe Door Panel



60 Deluxe Door Panel



61 Deluxe Door Panel

## 59-61 Door Panel Hardware

I-272	59-61	Deluxe armrest assemblies, complete, includes installed cover on base & chrome ends, specify color (pair)	319.99
I-207	59-61	Armrest covers, specify color (2)	32.99
I-213	59-61	Armrest ends, chrome (2)	119.99
SF-759	59-61	Armrest mount screws, correct fillister head (6)	4.99
I-209	59-61	Armrest plastic bases (2)	89.99
SF-758	59-61	Armrest plastic base reinforcement screws (4)	3.39
I-235	59-61	Door opening knob bezels (2)	25.99
I-1650	59-61	Door panel reflectors w/brackets (car set)	59.99
I-1651	59-61	Door panel reflector brackets (4)	15.99
ZSF-104	59-62	Door panel screws (22)	5.99
ZSF-465	59-62	Door panel screw flush washers (8)	6.99
I-777	59	Door panel & kick panel sheet metal set	359.99
I-778	60	Door panel & kick panel sheet metal set	359.99
I-779	61	Door panel & kick panel sheet metal set	369.99

Note: "59-61 door panel and kick panel sheet metal includes correct pattern sheet metal for installation of door and kick panels. Pre-punched, 4-piece set.

I-220	59-61	Door panel "S" trim moldings (12 pcs)	229.99
-------	-------	---------------------------------------	--------



## Deluxe Leather Door Panels

Custom leather deluxe door panels features upper metal supports, factory-style trim installed and original style tuxedo (salt & pepper) carpet on bottom. Includes all panel trim (reflectors, sheet metal, s-trim strips and opening bezels) installed. Available in red or black. Car set.

I-2897	59	Leather deluxe door panels	1599.99
I-2898	60	Leather deluxe door panels	1599.99
I-2899	61	Leather deluxe door panels	1599.99
I-2900	62	Leather deluxe door panels	1379.99

## Door Panels continued

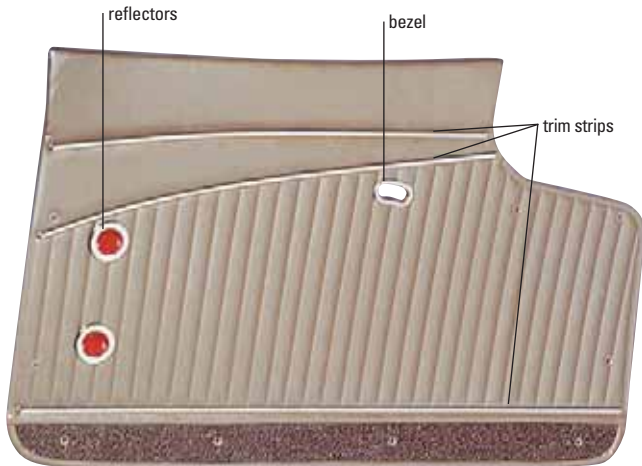
### 62 Door Panels

With or without upper metal support installed. Transfer trim from existing panels. Specify color. Sold in pairs.

I-201	62	Door panels, w/o metal support.....	<b>339.99</b>
I-278	62	Door panels, w/upper metal support.....	<b>439.99</b>

Completely assembled deluxe panels include installed trim strips, reflectors, opening knob bezels, upper metal supports and grommets. Armrest assembly not included. Specify color. Sold in pairs.

I-283	62	Deluxe door panels.....	<b>829.99</b>
-------	----	-------------------------	---------------



62 Deluxe Door Panel

### 62 Door Panel Hardware

I-890	62	Deluxe armrest assembly, includes installed cover on pad & chrome base, specify color (per side).....	ea <b>81.99</b>
ZI-773	62	Armrest chrome base.....	ea <b>24.99</b>
I-208	62	Armrest covers, specify color (2).....	<b>12.99</b>
SF-846	62	Armrest mount to door screws, correct fillister head (4).....	<b>4.99</b>
I-2012	62	Armrest pads, includes installed cover (pair).....	<b>69.99</b>
ZSF-364	62	Armrest pad to base screw (4).....	<b>2.99</b>
I-320	62	Door opening knob bezels (2).....	<b>18.99</b>
I-1650	62	Door panel reflectors w/brackets (4).....	<b>59.99</b>
I-2253	62	Door panel reflector brackets (4).....	<b>15.99</b>
ZSF-104	62	Door panel screws (18).....	<b>5.99</b>
ZSF-465	62	Door panel screw flush washers (8).....	<b>6.99</b>
I-244	62	Door panel trim strip molding set (6).....	<b>199.99</b>



## Sill Plates

SF-737	53-55	Sill plate screws (10).....	<b>6.69</b>
I-1718	56-60	Sill plate set, w/step plate & filler strips (car set).....	<b>329.99</b>
I-681	56-60	Sill plates, long (2).....	<b>217.99</b>
I-681B	56-60	Sill plate filler set (white oak).....	<b>27.99</b>
SF-434	56-60	Sill plate screws (18).....	<b>7.99</b>
I-682	56-60	Sill step plates (2).....	<b>89.99</b>
I-681C	61-62	Sill plate set, w/filler set (car set).....	<b>229.99</b>
I-1078	61-62	Sill plate filler set (4 pcs).....	<b>21.99</b>
ZSF-435	61-62	Sill plate screws (10).....	<b>3.99</b>

Note: \*56-60 sill plates are stainless steel; \*61-62 are anodized aluminum.

I-607	58-62	Wire cover floor plates (2).....	<b>46.99</b>
SF-530	58-62	Wire cover floor plate screws (8).....	<b>4.99</b>



56-60 Sill Plates



61-62 Sill Plates



## Screw Hole Repair

A quick, easy and permanent fix for stripped-out mounting holes in fiberglass. Center metal plate over hole, rivet in place – then simply drill a new mounting hole in the plate. Includes 20 plates with rivets.

DR-411	58-62	Door panel screw repair kit.....	<b>26.99</b>
--------	-------	----------------------------------	--------------



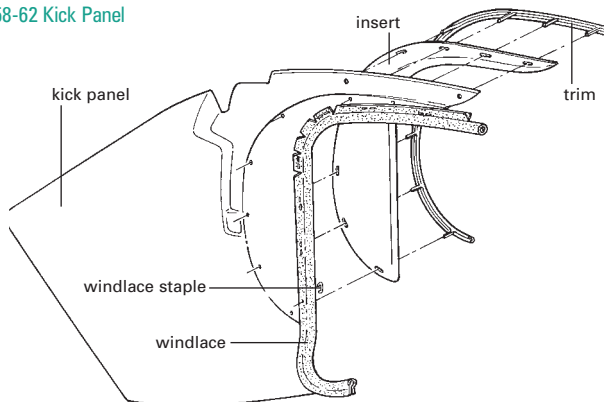
## Kick Panels

I-1969	53-55	Kick panels.....	269.99
I-202	56-57	Kick panels.....	169.99
I-1795	58	Kick panels, complete (ND).....	499.99
I-1796	59	Kick panels, complete (ND).....	499.99
I-1797	60	Kick panels, complete (ND).....	499.99
I-1798	61	Kick panels, complete (ND).....	499.99
I-1799	62	Kick panels, complete (ND).....	449.99

Note: Complete kick panels include painted fiberglass kick panels, mounted sheet metal or vinyl inserts, stainless trim and windlace. Specify color. Sold in pairs.



### C 58-62 Kick Panel



### Kick Panel Hardware

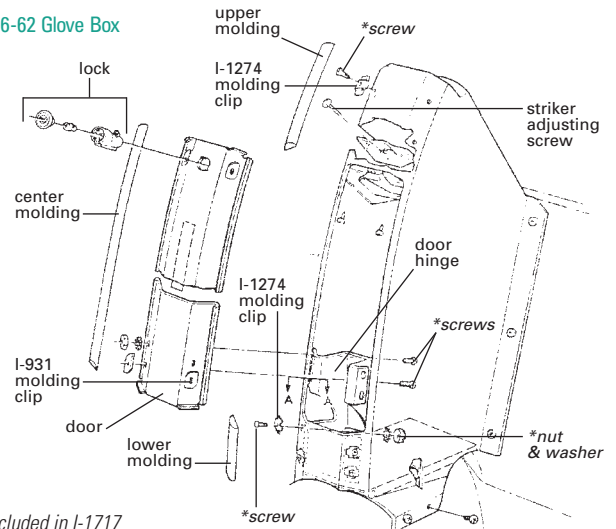
I-1242	58-62	Kick panel fiberglass (LH or RH) (pm) (C).....	189.99
I-898	58-61	Kick panel inserts, sheet metal, specify year (2) (C).....	99.99
I-215	62	Kick panel inserts, vinyl, specify color (2).....	54.99
I-1967	56-62	Kick panel mount to floor brackets, includes 4 brackets w/rivets (car set) (C).....	25.99
ZSF-432	56-57	Kick panel screws (12 pcs).....	3.99
ZSF-107	58-62	Kick panel screws & washers (30 pcs).....	5.99
I-234	58-62	Kick panel stainless trim strips (2) (C).....	99.99
I-237A	58	Kick panel vinyl windlace, specify color (2) (C).....	32.99
I-237	59-62	Kick panel vinyl windlace, specify color (2) (C).....	27.99
ZSF-475	58-62	Kick panel vinyl windlace staples (25) (C).....	5.99

## Glove Box

MF-443	59-61	Acrylic paint warning decal.....	4.49
D-863	56-62	Glove box door (D).....	Call
D-759	56-62	Glove box door hinge (D).....	54.99
D-499	56-62	Glove box door rubber stop, on body.....	6.99
LK-106	56-62	Glove box lock w/case, key & retainer (D).....	39.99
D-650	56-57	Glove box lock striker, on body.....	16.99
SF-549	56-57	Glove box lock striker screws, clutch head (2).....	3.49
D-915	58-62	Glove box lock striker.....	29.99
SF-801	58-82	Glove box lock striker screws (2).....	2.99
SF-551	58-62	Glove box lock striker adjusting screw (D).....	11.99
I-1272	56-62	Glove box molding, center (LH or RH) (D).....	42.99
I-1273	56-62	Glove box molding, lower (LH or RH) (D).....	30.99
I-1271	56-62	Glove box molding, upper (LH or RH) (D).....	32.99
I-931	56-62	Glove box molding clips, door moldings (4 clips) (D).....	10.99
I-1274	56-62	Glove box molding clips, mounts upper & lower molding, set of 4 (2 sets per car) (D).....	21.99
I-1717	56-62	Glove box & molding clip screws, nuts & washers (26 pcs) (D).....	5.99

Looking for a glove box lock keyed alike with your ignition & doors? Zip's complete lock sets include matched ignition, doors and trunk with original style keys. See pg. 61 for complete lock sets and original style GM keys.

### D 56-62 Glove Box



## Glove Box Moldings Set

If your restoration plans call for replacing all of the glove box moldings together, Zip makes it a little easier on the wallet. Set includes upper, lower and center moldings with associated clips and hardware.

I-2386	56-62	Glove box moldings & clips set.....	249.99
--------	-------	-------------------------------------	--------





## Seat Covers

### Original-Style Seat Covers

Exact reproductions constructed of high-grade vinyl to OE specs. Correct grain, pattern and colors for model years. Specify color. Car set.

I-1976	53-55	Seat covers.....	649.99
I-100	56-57	Seat covers.....	379.99
I-161	58	Seat covers.....	599.99
I-162	59	Seat covers.....	429.99
I-163	60	Seat covers.....	429.99
I-164	61	Seat covers.....	429.99
I-165	62	Seat covers.....	429.99

### Leather Seat Covers

The look and feel of a late-model Corvette; perfect for the resto-rod or weekend cruiser who wants their solid-axle to be different than the rest of the pack. Leather seat covers made from premium color matched leather and designed to look like original. Available in red or black. Car set.

I-2901	59	Leather seat covers.....	829.99
I-2902	60	Leather seat covers.....	829.99
I-2903	61	Leather seat covers.....	909.99
I-2904	62	Leather seat covers.....	909.99



61 Seat Covers

62 Seat Covers

56-57 Seat Covers



53-55 Seat Covers



58 Seat Covers

## Seat Foam & Spring Units

I-1984	53-55	Seat foam, original-style .....	339.99
I-1241	56-57	Seat foam, original-style .....	339.99
I-1240	58	Seat foam, original-style .....	339.99
I-1612	59-60	Seat foam, replacement .....	289.99
I-1985	59-60	Seat foam, original-style .....	299.99
I-1648	61	Seat foam, replacement .....	289.99
I-1986	61	Seat foam, original-style .....	299.99
I-1649	62	Seat foam, replacement .....	289.99
I-1987	62	Seat foam, original-style .....	299.99

*Note: Original-style seat foam includes muslin reinforcements and hollowed backside as original. All seat foam are sold in car sets.*

I-1198	53-62	Seat bottom spring unit, replacement.....	ea 59.99
I-2382	53-55	Seat bottom spring unit, reproduction.....	ea 159.99
I-1393	56-60	Seat bottom spring unit, reproduction.....	ea 144.99
I-2383	61-62	Seat bottom spring unit, reproduction.....	ea 144.99

*Note: Reproduction seat spring units feature correct material and coil spring sizes.*

I-1764	56-62	Seat burlap w/wire kit, assembled (car set) .....	98.99
I-1444	56-62	Seat burlap w/wire kit, unassembled (car set) .....	32.99
I-1989	53-55	Seat cotton pad & burlap kit (car set).....	39.99
I-1990	56-62	Seat cotton pad & burlap kit (car set).....	42.99



I-1241

I-1612



I-1393

TL-143

TL-142

## Seat Covers Installation

I-1982	53-55	Seat cover installation kit.....	29.99
I-1983	56-57	Seat cover installation kit.....	29.99
I-147	58-60	Seat cover installation kit.....	31.99
I-148	61-62	Seat cover installation kit.....	31.99

*Note: Installation kits include all the hooks, "S" clips, wires and hog rings needed to completely install new seat covers. Sold in car sets.*

I-1667	56-62	Seat cover hog rings (25).....	2.99
TL-143	53-62	Seat cover hog ring pliers, economy .....	7.99
TL-142	53-62	Seat cover hog ring pliers, spring-loaded.....	21.99



I-148

*Left-hand ("LH") = driver's side; right-hand ("RH") = passenger side*

## Seat

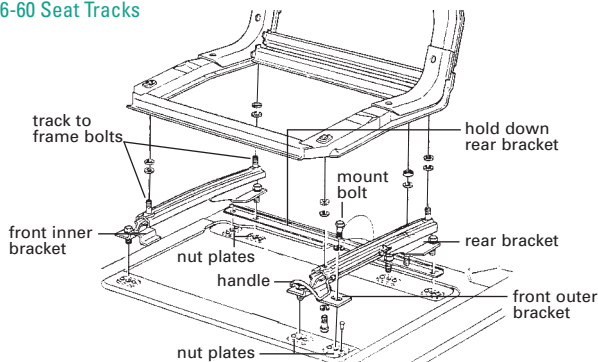
### Seat Bottom Cushions

I-2130	53-55	Seat bottom cushion assembly (LH or RH)	829.99
I-2131	56-58	Seat bottom cushion assembly (LH or RH)	809.99
I-2132	59-60	Seat bottom cushion assembly (LH or RH)	809.99

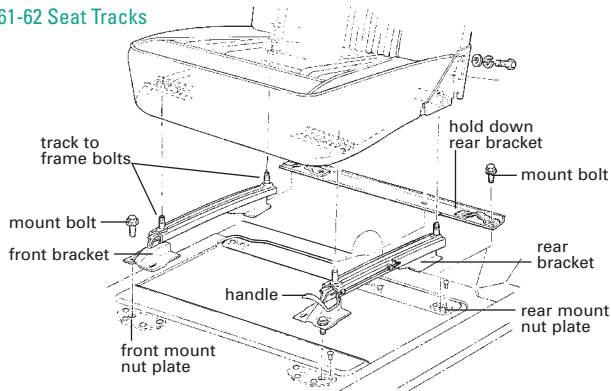
Note: Seat bottom cushions include new frames, original style spring units, retainer rings & hold down rods. Completely assembled and ready for installation. Per side.

I-2931	53-55	Seat bottom retainer ring w/hold down rods	219.99
I-2932	56-58	Seat bottom retainer ring w/hold down rods	179.99
I-2933	59-60	Seat bottom retainer ring w/hold down rods	179.99
I-2934	61-62	Seat bottom retainer ring w/hold down rods	179.99
I-2929	53-55	Seat bottom hold down rod	12.99
I-2930	56-62	Seat bottom hold down rod	10.99

#### E 56-60 Seat Tracks



#### F 61-62 Seat Tracks



### Seat Tracks

I-1978	56-62	Seat adjustment handle return springs (2)	13.99
BL-457	56-62	Seat mount bolt set (car set) (E)(F)	6.99
I-1239	53-62	Seat track roller w/saddle (4 per seat)	ea 33.99
I-1181	56-60	Track front inner bracket (LH or RH) (E)	14.99
I-1182	56-60	Track front outer bracket (LH or RH) (E)	14.99
I-1178	56-59	Track rear bracket (4 per car) (F)	ea 19.99
I-1179	60	Track rear bracket (4 per car) (F)	ea 19.99
I-1201	56-60	Track hold down rear bracket (LH or RH) (E)	32.99
I-1183	61-62	Track front bracket (4 per car) (F)	ea 19.99
I-1180	61-62	Track rear bracket (4 per car) (F)	ea 19.99
I-1200	61-62	Track hold down rear bracket (2 per car) (F)	ea 37.99
BL-625	56-60	Track to seat frame mount bolts & washers (16 pcs) (E)	7.99
BL-632	61-62	Track to seat frame mount bolts & washers (16 pcs) (F)	11.99

### Tracks Underbody Mount Plates

I-1980	53-62	Track mount underbody nut plate, 53-60 14 per car & 61-62 6 per car (E)(F)	ea 6.99
I-1199	61-62	Track front mount underbody nut plate (LH or RH) (F)	12.99

## Seat Belts

### Seat Belts

Replacement assemblies similar in appearance to original Cumming and Sanders model #5000 or Irving Air Chute belts. Aluminum lift-latch buckle with satin face, metal-to-metal contact and correct color 4-panel webbing as original. Mount using factory-design "ham bone" anchor and tightener (must purchase separately). Car set.

I-2566	53-62	Seat belts, specify color	99.99
--------	-------	---------------------------	-------



### Replacement Seat Belts

Not "factory" in appearance or mounting – but a cost saving alternative to NOS or OE-style replacement belts. Resemble classic Irving Air Chute design.

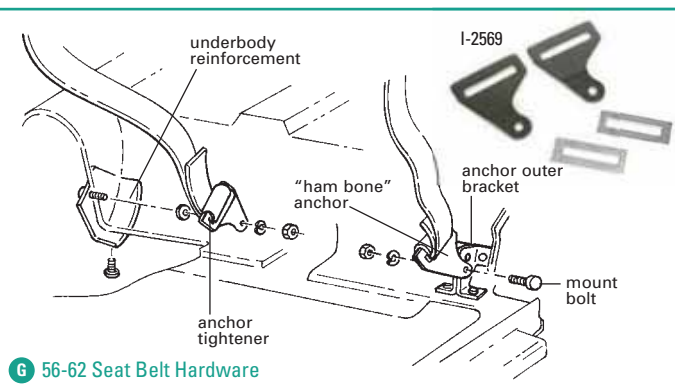
Chrome lift-latch buckle; metal-to-metal contact. Specify black, red, saddle or silver. Includes mount hardware. Car set.



ZI-146	56-62	Seat belts, replacement-style	59.99
--------	-------	-------------------------------	-------

### Seat Belt Hardware

I-2569	56-62	Seat belt "ham bone" anchor & tightener set, includes 2 of each (per side) (G)	54.99
I-1073A	56-62	Seat belt anchor tightener, cinch plate (G)	ea 6.99
I-1185	56-62	Seat belt anchor outer bracket, attaches through fiberglass to reinforcement	ea 25.99
BL-544	56-62	Seat belt anchor outer bracket to reinforcement bolts, "E" headmark (8 pcs)	6.99
SF-505	56-62	Seat belt mount bolt set, "WB" headmark, both inner & outer mount (10 pcs) (G)	5.99
I-1028	56-62	Underbody reinforcement w/stud, inner (LH or RH) (G)	25.99
I-1071	56-62	Underbody reinforcement, outer	ea 19.99



G 56-62 Seat Belt Hardware

**ZipSocial**     
Follow us and stay connected! [www.zip-corvette.com/social](http://www.zip-corvette.com/social)

## Carpet

### Daytona Carpet

Low-loop style correct for '56-59-Early Corvettes. Available in all original factory colors. Includes dimmer switch grommet, driver heel pad, matching binding and foam backing. Sold in car sets.

### Tuxedo Carpet

2-color loop correct for '59-Late-62. Also called "salt and pepper". Note some 1959 Corvettes may correctly use Daytona depending on build date. Available in all original combinations – blends feature a dominate color that matches interior, mixed with black. Includes grommet, heel pad, matching binding and foam backing. Sold in car sets.



Daytona Carpet



Tuxedo Carpet

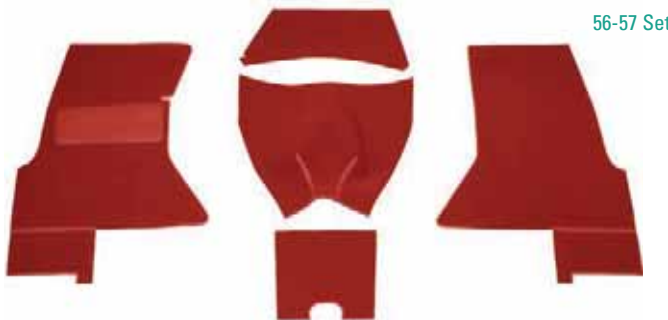
### Reproduction Carpet Sets

I-1968	53-55	Carpet set, Gros Point.....	299.99
I-555	56-57	Carpet set, Daytona.....	279.99
I-556	58	Carpet set, Daytona.....	279.99
I-2675	59	Carpet set, Daytona.....	279.99
I-542	59-60	Carpet set, Tuxedo "salt & pepper".....	289.99
I-541	61-62	Carpet set, Tuxedo "salt & pepper".....	289.99
I-581	59-60	Carpet set, 80/20 black (non-original).....	239.99
I-580	61-62	Carpet set, 80/20 black (non-original).....	239.99

Note: '59-62 "black" carpet was actually olive/black in color.  
If a true black (non-original) carpet is desired,  
order I-581 ('59-60) or I-580 ('61-62).



58-62 Set



56-57 Set

### Essex Carpet

Zip's line of "Essex" carpet is a plush, heavy cut-pile version that will transform the looks of your C1 Corvette's interior into something you'd find in a later model vehicle. Perfect for those looking for something other than the factory "loop" style or just want to upgrade their Corvette's interior. Custom cut and molded to fit your Corvette just like our repro carpet. Includes color matched bindings. Car set.



I-2951	58-60	Carpet, Essex cut-pile.....	259.99
I-2952	61-62	Carpet, Essex cut-pile.....	259.99

## Floor Mats

### Original-Style Floor Mats

Protect your carpet with matching floor mats. Carpeted mats match original carpet colors and styles. Feature no-slip backing to keep them in place. Add flair to your Corvette with GM Licensed embroidered mats. Heavyweight nylon threads plus workmanship ensure these mats will deliver lasting color and durability. Sold in pairs.

I-2113	53-55	Floor mats, Gros Point.....	119.99
I-554	56-59	Floor mats, Daytona.....	119.99
I-1991	56-59	Floor mats w/embroidered emblem, Daytona.....	149.99
I-536	59-62	Floor mats, Tuxedo.....	109.99
I-1652	59-62	Floor mats w/embroidered emblem, Tuxedo.....	139.99
I-1591	59-62	Floor mats, black loop (non-original).....	89.99



### Lloyd Protector Mats

Rugged clear vinyl mats protect carpet from wet or soiled feet while allowing your Corvette's interior color shine through. RubberTite mats feature hundreds of tiny "cups" to hold spills and rain drips. Nib backing keeps mats securely in place. RubberTite available in black, gray, tan or clear. Floor mats sold in pairs.



I-2837	56-62	Clear Protector floor mats.....	49.99
I-2838	56-62	RubberTite floor mats.....	74.99

### Lloyd Ultimat Floor Mats

The finest Corvette floor mats available! Custom designed and manufactured for C1 Corvettes - features early style "Corvette" script in your choice of colors. Features include DuPont Nylon Yarn for good looks & rugged performance, inconspicuous nylon binding that will never unravel and Tractionbac slip resistant rubber backings. Sold in pairs.

I-2896	53-62	Lloyd Ultimat floor mats w/Corvette script (Early style).....	138.99
I-2895	61-62	Lloyd Ultimat floor mats w/Corvette script (61-62 style).....	138.99



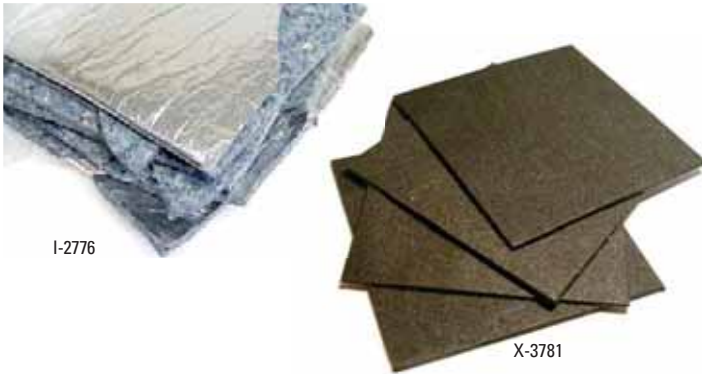
**ZipSocial**     
Follow us and stay connected! [www.zip-corvette.com/social](http://www.zip-corvette.com/social)



## AcoustiSHIELD

AcoustiSHIELD's pre-cut carpet and floor pan insulation kits will insulate and control noise, vibration and heat. Stage 1 features Dynamat Xtreme sound dampening pads strategically located to reduce noise and vibration. Stage 2 features high-tech HeatShield absorber/barrier insulation which is bonded to the floor pan - providing sound deadening and insulation from radiant heat penetration. Easy-to-follow installation instructions - all pieces are die cut and labeled. Floor panel kit covers area under front carpet and seats.

I-2776	53-57	Floor panel insulation.....	<b>239.99</b>
I-2777	58-62	Floor panel insulation.....	<b>239.99</b>



## BlockIt DeadMat

Developed to eliminate unwanted vibration & noise in your Corvette. Dramatically reduces structural vibration and radiated borne noise. Self-adhesive backing makes for a simple cut and stick application. Cover an entire area or just a portion a strategically portion with outstanding results.

X-3781	BlockIt DeadMat – 8 sq feet.....	<b>69.99</b>
X-3794	BlockIt DeadMat – 20 sq feet.....	<b>99.99</b>
X-3795	BlockIt DeadMat – 36 sq feet.....	<b>159.99</b>

## Heat Barrier Kit

Ceramic cloth-like material with reinforced reflective foil backing installs under carpet to reduce interior temperatures up to 50%. 1/8"-thick pre-cut pieces will not affect carpet fit and can be used with original carpet underlayment.

I-1313	53-62	Heat barrier kit.....	<b>129.99</b>
--------	-------	-----------------------	---------------



## Carpet Hardware

ZSF-436	56-62	Carpet trim screws w/washers (8 pcs).....	<b>3.99</b>
I-1381	53-62	Dimmer switch rubber grommet.....	<b>10.99</b>
WS-784	58-62	Floor pan plugs (2).....	<b>4.49</b>

## Spray Adhesive

3M™ General Trim Adhesive is a high-strength aerosol excellent for bonding carpet, jute pads, fabrics and plastics to metal and other surfaces. Impressive holding power plus good heat and water resistance. 19 3/4 oz. aerosol.



MG-55	Spray adhesive.....	<b>23.99</b>
-------	---------------------	--------------

## Dynamat Xtreme Custom Cut

The highest efficiency sound deadening material available. Aluminum layer is moldable and conforms to all interior surfaces. Extra-sticky butyl layer is designed to convert energy effectively stopping unwanted noise and vibration. Available in custom cut versions for floor, door, coupe rear cargo and roof areas.

I-2998	56-62	Dynamat Xtreme floor kit.....	<b>233.99</b>
I-2997	56-62	Dynamat Xtreme door kit.....	<b>159.99</b>
I-3000	56-62	Dynamat Xtreme trunk floor kit.....	<b>129.99</b>
I-2999	56-62	Dynamat Xtreme trunk lid kit.....	<b>89.99</b>
I-3001	56-62	Dynamat Xtreme under seat kit.....	<b>129.99</b>



I-2998



I-2997

## FlatLine Barrier Insulation

Designed to insulate your Corvette's interior compartment from both heat and sound. Lightweight pre-cut insulation includes self-adhesive to install directly to your floor panels, door structure, convertible top area and hardtop. Available in individual sections or car set. Full car set includes floor panel, convertible top well and door panel. Includes illustrated diagram, perfect for the do-it-yourselfer.

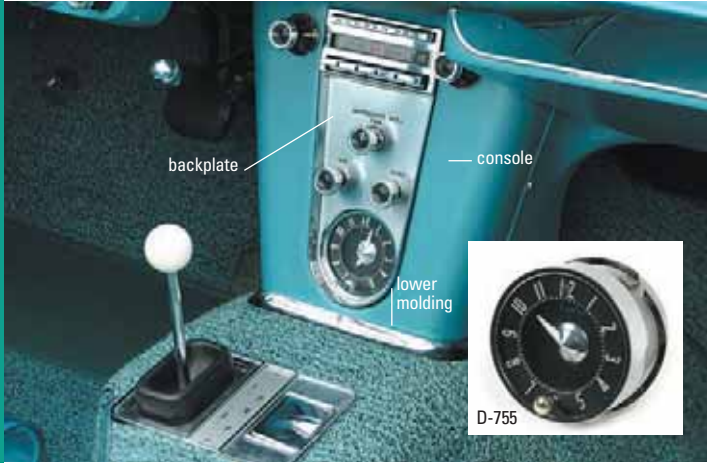
I-3252	56-60	Convertible top well Flatline Barrier insulation kit.....	<b>74.99</b>
I-3253	61-62	Convertible top well Flatline Barrier insulation kit.....	<b>69.99</b>
I-3250	56-62	Door panel Flatline Barrier insulation kit.....	<b>74.99</b>
I-3248	56-60	Floor panel Flatline Barrier insulation kit.....	<b>169.99</b>
I-3249	61-62	Floor panel Flatline Barrier insulation kit.....	<b>159.99</b>
I-3251	56-62	Hardtop Flatline Barrier insulation kit.....	<b>74.99</b>
I-3254	56-60	Full car Flatline Barrier insulation kit.....	<b>229.99</b>
I-3255	61-62	Full car Flatline Barrier insulation kit.....	<b>229.99</b>



## Dash & Console Components

### Center Radio Console

I-245	58-62	Center console, fiberglass (pm) .....	199.99
I-660	58-62	Center console lower molding .....	46.99
I-659	58-62	Center console upper molding .....	49.99
ZSF-433	58-62	Center console upper & lower molding screws (10) .....	3.99
D-139	58-62	Console backplate, includes opening for radio, clock, defroster, air & temp .....	99.99
D-777	58-62	Console backplate "flat" speednuts (6) .....	18.99



### Clock

D-755	58-62	Clock, new reproduction .....	139.99
D-778	53-55	Clock bezel, chrome .....	59.99
D-350	56-57	Clock bezel, chrome .....	59.99
D-556	58-62	Clock bezel, chrome .....	34.99
D-491	53-57	Clock face w/numbers .....	26.99
D-108	58-62	Clock face w/numbers .....	22.99
D-629	56-62	Clock grounding ring .....	8.49
D-843	56-57	Clock knob .....	12.99
D-527	58-62	Clock knob .....	12.99
D-127	53-57	Clock lens, outer .....	14.99
L-628	58-62	Clock light bulb .....	1.99
MF-413	58-62	Clock warranty instruction folder .....	4.99
E-439	58-61	Clock wiring harness & light socket .....	20.99



### Cigarette Lighter

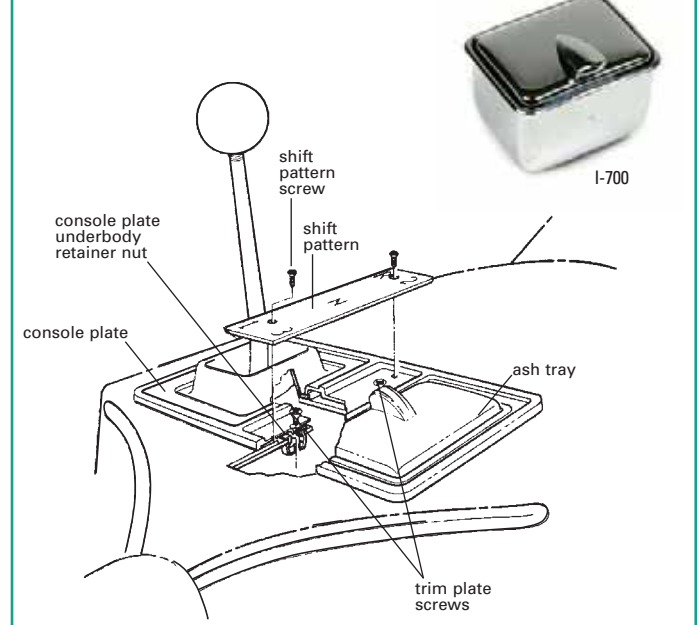
E-1154	53-55	Cigarette lighter power lead wire .....	12.99
E-840	53-54	Cigarette lighter ground wire .....	12.99
E-576	55-57	Cigarette lighter ground wire .....	12.99
D-514	53-62	Cigarette lighter bulb shield .....	12.99
E-841	53-54	Cigarette lighter lamp lead wire w/shield .....	18.99
E-842	55-62	Cigarette lighter lamp lead wire w/shield .....	18.99
D-727	58-62	Cigarette lighter element only .....	7.99
D-1087	56-60	Cigarette lighter housing w/retainer, includes light .....	24.99
D-407	61-62	Cigarette lighter housing w/retainer, includes light .....	29.99
D-546	56-57	Cigarette lighter knob w/element .....	24.99
D-125	58-60	Cigarette lighter knob w/element .....	36.99
D-126	61-62	Cigarette lighter knob w/element .....	32.99
D-504	58-60	Cigarette lighter spacer, chrome .....	8.99



### Ash Tray & Shifter Console

I-699	54-60E	Ash tray w/correct knob (small snuffer w/o cigarette holder) (H) .....	59.99
I-700	60L-62	Ash tray w/correct knob (larger snuffer w/cigarette holder) (H) .....	41.99
I-1081	56-62	Ash tray retainer clip w/screw .....	11.99
ST-128	56-58	Shifter console plate (H) .....	33.99
ST-128	59-62	Shifter console plate, Automatic & 3-speed (H) .....	33.99
ST-125	59-62	Shifter console plate, 4-speed (H) .....	33.99
ST-433	56-62	Shifter console plate underbody retainer nuts w/screws (4 pcs) (H) .....	6.99
ZSF-405	56-62	Shifter console plate screws (2) (H) .....	1.99

#### H 56-62 Ash Tray & Shifter Console



### Shift Patterns

ST-124	56-57	Automatic shift pattern (H) .....	22.99
ST-351	58-61	Automatic shift pattern (H) .....	22.99
ST-350	62	Automatic shift pattern (H) .....	22.99
ST-344	56-62	3-speed shift pattern (H) .....	19.99
ST-532	57-58	4-speed shift pattern (H) .....	19.99
ST-112	59-62	4-speed shift pattern (H) .....	17.99
SF-779	56-62	Shift pattern screws (2) (H) .....	3.39



### Transmission Conversion Shift Patterns

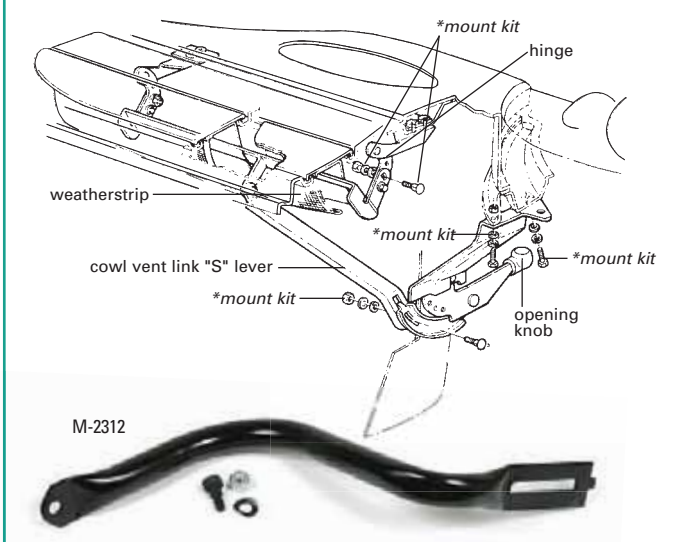
Factory style shift patterns for upgraded transmission conversions.

ST-587	56-62	3-speed automatic shift pattern .....	22.99
ST-588	56-62	4-speed automatic shift pattern (w/overdrive) .....	22.99
ST-622	56-62	5-speed manual shift pattern .....	29.99



**I 53-62 Cowl Vent**

"\*\*" Included in D-774 & D-775



**Cowl Vent**

M-4210	53-62	Cowl vent hinge assemblies (I).....	34.99
M-2312	58-62	Cowl vent link lever, "S" shape, originally riveted to cowl vent door, includes special shouldered bolt, washer & nut to ease installation (I).....	69.99
BL-539	58-62	Cowl vent link lever to vent bolt, special shouldered bolt, washer & nut to ease installation.....	7.99
I-686	56-62	Cowl vent opening knob (I).....	13.99
D-775	53-57	Cowl vent & handle mount kit (34 pcs) (I).....	10.99
D-774	58-62	Cowl vent & handle mount kit (35 pcs) (I).....	10.99
ZWS-106	53-62	Cowl vent weatherstrip (I).....	10.99

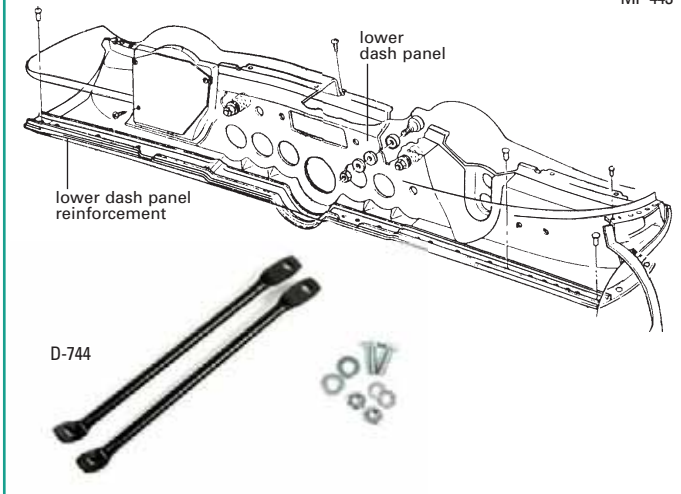
**Dash Panel & Cluster**

MF-443	57	Acrylic paint warning decal.....	4.49
HFG-522	53-57	Lower dash panel – fiberglass only (J).....	269.99
M-3527	53-57	Lower dash panel metal reinforcement (J).....	129.99
D-744	58-60	Dash support rods w/hardware, mounts under dash.....	14.99
BL-543	58-60	Dash support rod hardware (8 pcs).....	4.99
BL-443	58-62	Dash cluster housing mounting screws (5 pcs).....	5.59
I-1079	56-57	Park brake flasher chrome plug.....	6.99
SC-322	53-57	Steering column to dash bezel, chrome.....	69.99
D-953	53-57	Steering column to dash bezel clips (2).....	6.99

**J 56-57 Firewall & Interior Panels**

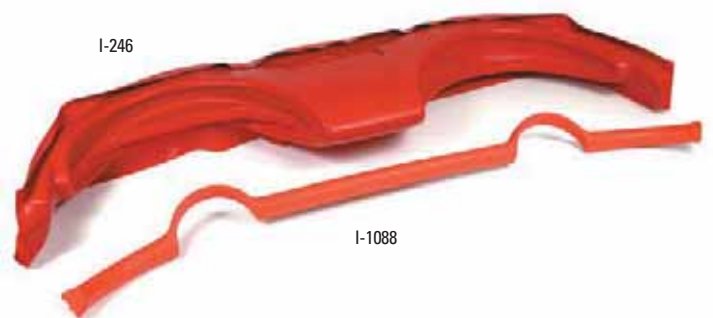
**NOTICE**  
**IMPORTANT**  
 EXTERIOR FINISH  
 Body, hood and fenders of this car are painted with a new glass finish of improved durability. This paint is incompatible with lacquers and synthetic materials presently in common use. Contact the authorized Chevrolet Dealer for special technical information should repairs or service be required. **DO NOT DETACH**

MF-443



**Dash Pad**

D-559	58-59E	Dash end caps w/screws, stainless (car set).....	34.99
I-614	59L-62	Dash end caps, paint to match (pair).....	34.99
ZSF-406	58-62	Dash end cap screws (4).....	2.99
I-230	58	Dash pad, red, blue or charcoal.....	499.99
I-246	59-62	Dash pad, specify color.....	459.99
I-1088	53-57	Dash rail, fiberglass w/cover installed, specify color (ND)....	419.99
I-2116	53-55	Dash rail cover, specify color.....	42.99
I-205	56-57	Dash rail cover, specify color.....	59.99
I-675A	53-57	Defroster bezel, chrome.....	ea 10.99
I-2956	53-57	Defroster bezel, chrome, U.S. Made.....	ea 36.99
I-675B	58-62	Defroster bezel, primer.....	ea 10.99
I-2957	58-62	Defroster bezel, primer, U.S. Made.....	ea 23.99
BL-610	53-62	Defroster bezel mount hardware (6 pcs).....	2.99



**Courtesy & Dome Light**

D-725	53-57	Courtesy light assemblies (pair).....	116.99
D-776	53-57	Courtesy light bezels w/lens (2).....	74.99
D-116	53-57	Courtesy light lens (2).....	12.99
E-441	56-57	Courtesy light extensions (set of 4).....	18.99
D-726	58-62	Courtesy light assembly w/lens, socket & wiring.....	67.99
D-500	58-62	Courtesy light base.....	49.99
E-442	58-62	Courtesy light harness w/socket.....	18.99
D-117	58-62	Courtesy light lens w/gasket.....	11.99
SF-554	58-62	Courtesy light mount screws w/J-nuts (4 pcs).....	2.99
L-359	55-62	Courtesy light bulb.....	2.99

See page 60 for courtesy light switches





## Dash & Console Components continued

### Dash Insert

D-114	58	Dash insert, aluminum, "CORVETTE" (K)	89.99
D-122	59	Dash insert, aluminum, "CORVETTE" (K)	89.99
D-549	60-62	Dash insert, aluminum, "CORVETTE" (K)	89.99
D-338	60-62	Dash insert bars, red & blue (K)	42.99
D-959	58-62	Dash insert stainless trim moldings (2)	59.99
D-994	58-59	Dash insert housing only	57.99
D-995	60-62	Dash insert housing only	57.99
D-772	58-62	Dash insert housing mount kit (15 pcs) (K)	4.49

### Dash Insert Assembly

Features correct aluminum face with CORVETTE script and stainless trim – mounted on a new steel housing. '60-62 bolt-in assembly includes installed red and blue bars as original. GM licensed.

D-951	58	Dash insert assembly w/stainless trim	219.99
D-952	59	Dash insert assembly w/stainless trim	219.99
D-960	60-62	Dash insert assembly w/stainless trim	239.99



### Grab Bar

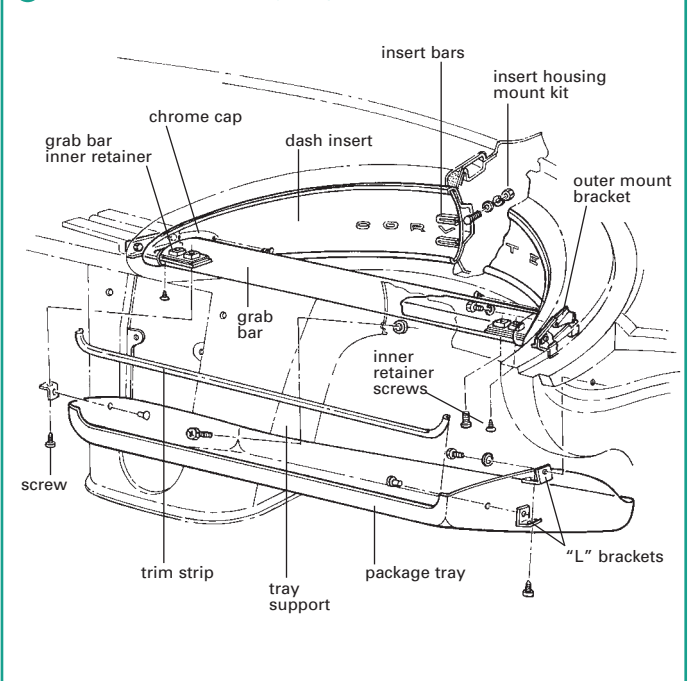
I-1644	58	Grab bar w/cover installed	104.99
I-889	59-62	Grab bar w/cover installed (K)	89.99
I-932	58	Grab bar cover, specify color	44.99
I-210	59-62	Grab bar cover, specify color	26.99
D-140	58-62	Grab bar end chrome caps w/screws (car set) (K)	74.99
ZSF-407	58-62	Grab bar end chrome cap screws (4)	1.99
I-1048	58-62	Grab bar inner retainers w/screws (car set) (K)	26.99
SF-503	58-62	Grab bar inner retainer screws, clutch head (4) (K)	10.99
I-1047	58-62	Grab bar outer mount brackets (2) (K)	45.99
BL-542	58-62	Grab bar outer mount bracket hardware, (4) "WB" headmark bolts w/hardware (12 pcs)	4.99



### Zip Resto Tip: Aluminum Dash Insert

Replacing the insert isn't complicated, but does require attention to detail and patience. First remove the screws holding the chrome escutcheons at each end of the grab bar. Slide the escutcheons toward the center to expose screws hidden beneath them. Remove these screws and lift the bar out. Unscrew the nuts that hold the insert assembly to the dash by reaching behind the insert. Once the nuts are removed, pull the assembly from the dash. The aluminum insert sits on a heavy steel backing and is held by thin stainless steel trim that clips over the edges of the aluminum and steel around the perimeter. The stainless trim is tack welded to the steel backing and must be cut free – Zip recommends a small grinder or rotary cutting tool. Take care not to cut beyond the weld or you risk damaging a part of the stainless trim that's visible. After the welds are ground remove the trim and separate the aluminum from the backing. Glass bead and paint the normally rusty backing and polish the stainless trim. Lay the new insert onto the backing and carefully clip the stainless back into position. Avoid touching the insert, as it scratches easily and even the oil from your fingers can blemish it. Gently clamp the assembly so that both pieces of stainless fully seat. Apply a thin layer of two-part epoxy where the stainless meets the steel backing on the reverse side. After the epoxy dries, remove the clamps and reinstall your newly restored assembly.

### K 59-62 Dash Insert & Package Tray



### Package Tray

F-734	59-62	Package tray (IFP) (K)	169.99
I-620C	59-62	Package tray "L" brackets (3) (K)	10.99
ZSF-408	59-62	Package tray screw set (18) (K)	5.99
F-733	58-62	Package tray support (IFP) (radio side panel & tray rear) (K)	129.99
ZSF-409	58-62	Package tray support screws (10)	3.99
I-615	59-62	Package tray trim strip (K)	29.99

### Inside Mirror

MR-374	56	Inside mirror, 100% correct reproduction	96.99
MR-320	56	Inside mirror, die cast reproduction	64.99
MR-336	56	Inside mirror base	49.99
MR-334	56	Inside mirror base thumb screw	18.99

Note: '56 mirrors can be used as a replacement on '53-55 Corvettes.

MR-375	57	Inside mirror, 100% correct reproduction	96.99
MR-321	57	Inside mirror, die cast reproduction	64.99
MR-335	57	Inside mirror base	49.99
MR-106	58-62	Inside mirror, replacement	39.99
MR-382	58-60	Inside mirror, correct	49.99
MR-383	61-62	Inside mirror, correct	49.99
MR-105	58-62	Inside mirror base	39.99
MR-377	58-62	Inside mirror base mount kit (8 pcs)	3.49
ZSF-442	57-62	Inside mirror jam nut	4.49

Note: '56-62 replacement mirrors are die cast; correct reproduction mirrors are stamped housings with "crimped" edge as original. Correct mirrors include either "S" logo (58-60) or "Guide" (61-62) stamped and riveted tension spring.



56 Inside Mirror

58-62 Inside Mirror

## Headlight Switch Knob

D-757	56-57	Headlight switch knob & rod	24.99
D-507	58-60	Headlight switch knob & rod	29.99
D-441	61-62	Headlight switch knob & rod	34.99
D-773	56-57	Headlight switch nut	22.99
D-506	58-60	Headlight switch nut	14.99
D-505	61-62	Headlight switch nut	13.99
D-770	56-57	Headlight switch spacer (behind dash)	11.99



## Wiper Switch Knob

WW-320	56-57	Wiper switch knob	24.99
D-573	58-60	Wiper switch knob, w/o washer	29.99
D-572	58-60	Wiper switch knob & push button, w/washers	39.99
WW-356	61-62	Wiper switch knob w/push button	39.99
D-771	56-57	Wiper switch nut/bezel	22.99
D-570	58-60	Wiper switch nut	11.99
D-571	61-62	Wiper switch nut	11.99



## Heater Switch & Temperature Cables & Knobs

D-400	58-60	Fresh air inlet control cable w/knob	69.99
D-401	61-62	Fresh air inlet control cable w/knob	69.99
D-501	58-60	Fresh air inlet control knob	23.99
D-502	61-62	Fresh air inlet control knob	23.99
D-849	53-57	Heater switch w/cable	179.99
D-850	58-62	Heater switch w/cable	169.99
D-404	58	Heater/defroster switch knob	24.99
D-405	59-60	Heater/defroster switch knob	31.99
D-406	61-62	Heater/defroster switch knob	31.99
D-569	58-62	Heater/defroster switch nut	17.99
D-758	58-62	Heater/defroster switch spacer	7.99
D-402	58-60	Temperature control cable w/knob	69.99
D-403	61-62	Temperature control cable w/knob	69.99
D-501	58-60	Temperature control knob	23.99
D-502	61-62	Temperature control knob	23.99



## Ignition Switch

LK-352	53-59	Ignition lock cylinder w/key, 53-55 replacement	34.99
LK-353	60-62	Ignition lock cylinder w/key	32.99
ES-338	55-57	Ignition switch, 55 V8 & 56-57 All	59.99
ES-339	58-59	Ignition switch	79.99
ES-325	60-62	Ignition switch	109.99
ES-337	55-57E	Ignition switch backplate	15.99
ES-498	57L	Ignition switch backplate	12.99
D-113	58-62	Ignition switch backplate, plastic	15.99
I-1107	53-59	Ignition switch nut, chrome	13.99
I-819	60-62	Ignition switch nut, chrome	14.99
I-800	58-62	Ignition switch spacer, chrome	15.99

Looking for an ignition lock cylinder keyed alike with your doors and trunk? Zip's complete lock sets include matched doors, glove and trunk with original style keys. See pg. 61 for complete lock sets and original style GM keys.



## Switch Install Tools

Having the right tool for the job is key for any project – so put the screwdrivers away and instead use these helpful “wrenches” to avoid scratched or gouged dash paint and bezels.



TL-171	53-59	Ignition switch nut tool	9.99
TL-144	60-62	Ignition switch nut tool	9.99
TL-166	58-60	Headlight/wiper/heater switch nut tool	12.99
TL-137	61-62	Headlight/wiper/heater switch nut tool	13.99

## Dash Indicators

D-111	58-60	Dash indicator backplate set (headlight, lighter, wiper & ignition)	39.99
D-104	61-62	Dash aluminum bezel set (headlight, lighter & wiper)	49.99



**ZipSocial**     
Follow us and stay connected! [www.zip-corvette.com/social](http://www.zip-corvette.com/social)

# Gauges

## Instrument Cluster

D-1047	58-60	Instrument gauge die cast lower housing .....	Call
D-1048	61-62	Instrument gauge die cast lower housing .....	Call
D-1049	58-62	Instrument gauge die cast upper housing .....	Call
SF-735	58-62	Instrument gauge housing hardware kit, includes hardware for upper & lower housing & gauges to housing (21 pcs) .....	5.99
D-769	53-54	Instrument lens set, 2-piece speedometer face, tach face, tach lens, (4) small gauge, clock lens & clock face .....	149.99
D-123	55-57	Instrument lens set, 2-piece speedometer face, tach face, tach lens, (4) small gauge, clock lens & clock face .....	149.99
D-489	58	Instrument lens set, speedometer face, tach face (low-rpm), tach lens, (4) small gauge & clock face .....	134.99
D-124	59-62	Instrument lens set, speedometer face tach lens, (4) small gauge, & clock face .....	86.99



## Speedometer

D-828	53-62	Odometer wheels .....	49.99
D-865	53-62	Odometer metal drive gear .....	12.99
D-349	53-57	Speedometer bezel .....	89.99
D-781	53-57	Speedometer filter set, 2 green & 1 red .....	8.99
D-100	53-57	Speedometer lens, face w/numbers (2 pc) .....	49.99
D-348	58-62	Speedometer bezel .....	89.99
D-610	58-62	Speedometer filters, "Brake" & "Beam" .....	19.99
D-782	58-62	Speedometer filters, green blinkers (2) .....	5.99
D-1180	58-62	Speedometer filter light cardboard tubes (4) .....	5.99
D-107	58-62	Speedometer lens, face w/numbers .....	40.99
D-451	59-62	Speedometer needle .....	18.99
BL-446	58-62	Speedometer to dash cluster fasteners (3 pcs) .....	4.99
D-1055	53-62	Speedometer mount grommet .....	ea 1.99
D-1056	53-62	Speedometer mount screw .....	ea 3.29
D-768	53-62	Speedometer face mount screws (2) .....	3.99
D-912	53-62	Speedometer frame to housing gasket .....	2.99



See pg. 97 for speedometer & tachometer cables. Zip has available speedometer calibrators for those converting to a transmission with an electronic speedometer signal.

## Small Gauges

D-917	60	Battery/Ammeter gauge .....	79.99
D-921	61-62	Battery/Ammeter gauge .....	79.99
D-916	60	Fuel gauge .....	79.99
D-920	61-62	Fuel gauge .....	79.99
D-918	60	Oil pressure gauge .....	79.99
D-922	61-62	Oil pressure gauge .....	79.99
D-919	60	Temperature gauge .....	79.99
D-923	61-62	Temperature gauge, 220° .....	79.99
D-924	62	Temperature gauge, 240° .....	79.99



## Small Gauges Set

Update your '60-62 instrument cluster with a fresh set of reproduction small gauges. Feature correct graphics for judged shows – but with new electronics for improved accuracy.



D-947	60	Small gauge set .....	289.99
D-948	61-62	Small gauge set w/220° temperature .....	289.99
D-949	62	Small gauge set w/240° temperature .....	289.99

## Voltmeter

If you're dropping in a late model or LS series engine in your Corvette - then you'd like to have a voltmeter gauge instead of the factory ammeter gauge. Our voltmeter gauges are designed to emulate the factory gauges, including correct face, letter style and color.



D-1022	60	Voltmeter .....	69.99
D-1023	61-62	Voltmeter .....	69.99



## Small Gauge Components

D-646	53-58	Ammeter gauge face .....	38.99
ES-562	58-62	Ammeter gauge capacitor, correct reproduction .....	79.99
D-644	53-58	Fuel gauge face .....	38.99
MF-465	58-62	Fuel gauge "red" warning tag .....	4.99
D-647	53-58	Oil gauge face .....	38.99
D-645	53-58	Temperature gauge face .....	38.99
D-347	53-62	Small gauge bezel (2 required) .....	ea 37.99
D-927	53-62	Small gauge bezel retainer .....	ea 8.99
D-1102	53-62	Small gauge filter, red Mylar (4) .....	8.99
D-946	58-62	Small gauge housing (LH or RH) .....	19.99
D-109	53-58	Small gauge lenses only (4) .....	18.99
D-110	59-62	Small gauge lenses only (4) .....	19.99



## New Reproduction Tachometer

All-new throughout – parts, housing, mechanism, everything. Available in low-rpm and hi-rpm with generator or distributor drive.

D-810



D-812	53-55	6-cylinder, distributor drive .....	499.99
D-813	55-57	Generator drive .....	499.99
D-814	58	6000 rpm, generator drive .....	499.99
D-815	58	8000 rpm, generator drive .....	459.99
D-816	58	8000 rpm, distributor drive .....	459.99
D-808	59	Low-rpm, generator drive .....	399.99
D-809	59	Hi-rpm, generator drive .....	399.99
D-810	59	Hi-rpm, distributor drive .....	399.99
D-811	60E	Low-rpm, generator drive .....	399.99
D-799	60E	Hi-rpm, generator drive .....	399.99
D-800	60E	Hi-rpm, distributor drive .....	399.99
D-801	60L-61E	Low-rpm, generator drive .....	399.99
D-802	60L-61E	Hi-rpm, generator drive .....	399.99
D-803	60L-61E	Hi-rpm, distributor drive .....	399.99
D-804	61L	Low-rpm, generator drive .....	399.99
D-805	61L	Hi-rpm, generator drive .....	399.99
D-806	61L-62	Hi-rpm, distributor drive .....	399.99
D-807	62	Low-rpm, distributor drive .....	399.99

## Electronic Tachometer

Reproduction tachometer designed for High Energy Ignition or LS engine conversion. Complete assembly features original style gauge face, housing, bezel, lens and electronic conversion. Calibrated, ready to install.

D-1024



D-1074	53-54	5000 rpm electronic tachometer .....	449.99
D-1071	55-57	6000 rpm electronic tachometer .....	449.99
D-1072	58	6000 rpm electronic tachometer .....	449.99
D-1073	58	8000 rpm electronic tachometer .....	449.99
D-1024	59	Low-rpm electronic tachometer .....	369.99
D-1025	59	Hi-rpm electronic tachometer .....	369.99
D-1026	60E	Low-rpm electronic tachometer .....	369.99
D-1027	60E	Hi-rpm electronic tachometer .....	369.99
D-1028	60L-61	Low-rpm electronic tachometer .....	369.99
D-1029	60L-61	Hi-rpm electronic tachometer .....	369.99
D-1030	61L-62	Low-rpm electronic tachometer .....	369.99
D-1031	61L-62	Hi-rpm electronic tachometer .....	369.99

## Tachometer Conversion

Keep your Corvette's factory tachometer face even with a high energy electronic ignition distributor (no tach drive) or a complete LS engine conversion. Simple 3-wire installation. Instructions and hardware are included.



D-1017	53-62	Electronic tachometer conversion .....	159.99
--------	-------	--	--------

## Tachometer Signal Generator

Designed to calibrate electronic tachometers on the bench. Perfect for upgrading to an electronic tachometer conversion. Allows for calibration at multiple RPM levels prior to installation.



TL-182	53-62	Electronic tachometer signal generator .....	49.99
--------	-------	--	-------

## Tachometer Rebuild

D-346	53-62	Tachometer bezel .....	44.99
D-765	53-54	Tachometer face w/numbers .....	34.99
D-765	55	Tachometer face w/number, 6-cylinder .....	34.99
D-105	55-57	Tachometer face w/numbers .....	34.99
D-902	53-55	Tachometer face, inner face w/dots, 6-cylinder .....	34.99
D-764	55-58	Tachometer face, inner face w/dots .....	28.99
D-106	58	Tachometer face w/numbers, 6000 rpm .....	54.99
D-763	58	Tachometer face, inner face w/dots, 8000 rpm .....	37.99
D-649	58	Tachometer face w/numbers, 8000 rpm .....	49.99
D-590	59	Tachometer face, low-rpm redline .....	57.99
D-591	59	Tachometer face, high-rpm redline .....	57.99
D-592	60E	Tachometer face, low-rpm redline .....	57.99
D-593	60E	Tachometer face, high-rpm redline .....	57.99
D-594	60L-61E	Tachometer face, low-rpm redline .....	57.99
D-595	60L-61E	Tachometer face, high-rpm redline .....	57.99
D-596	61L-62	Tachometer face, low-rpm redline .....	57.99
D-597	61L-62	Tachometer face, high-rpm redline .....	57.99
D-768	53-62	Tachometer face mount screws (2) .....	3.99
D-912	53-62	Tachometer frame to housing gasket .....	2.99
D-102	53-62	Tachometer lens .....	14.99
D-503	53-62	Tachometer lens seal .....	5.49
D-1055	53-62	Tachometer mount grommet .....	ea 1.99
D-1056	53-62	Tachometer mount screw .....	ea 3.29
D-576	53-58	Tachometer needle .....	19.99
D-577	59-62	Tachometer needle .....	19.99
D-766	53-58	Tachometer rev counter .....	47.99

Note: Call for other tachometer rebuild components; Zip has available housings, inner bezels and retainers.



### Dakota Digital RTX Instrument Gauge Package

RTX series is the latest from Dakota Digital, focused on retaining the stock Corvette look without sacrificing the late-model functionality. Every effort has been put forth to incorporate original style elements regarding layout, face styling and indicators. A casual glance may dismiss these as OE gauges but once you hit the switch and the LED backlighting comes on in your favorite color scheme, all doubts will be removed! CNC machined housings are filled with electronics designed and built in-house, high-definition TFT message centers can be fully configured to display just about any piece of information needed. Central control box makes installation and setup as easy as possible.

D-1175	58-62	RTX instrument gauge package.....	1829.99
D-1174	58-62	RTX instrument gauge package, metric.....	1829.99
D-1176	58-62	RTX digital clock.....	232.99



D-1175

### Dakota Digital VHX Instrument Gauge Package

VHX system fits directly into the stock instrument housings without modification, adding a wealth of features and information to your Corvette's dash panel. Features include fully lit needles, backlit faces, and highly visible LCD message centers. Available in carbon fiber, black or silver alloy face with red, white or blue illumination. Specifications can be found online.

D-1133	58-62	VHX instrument gauge package.....	1420.99
D-1134	58-62	VHX instrument gauge package, metric.....	1420.99
D-1135	58-62	VHX digital clock.....	189.99

*58-62 Dakota Digital gauge packages include chrome plated machined aluminum gauge bezels. Upper and lower dash cluster housings not included - shown for visual/presentation purposes only*



D-1133

### Dakota Digital HDX Instrument Gauge Package

Fully customizable, direct fit instrument system designed to install into your Corvette's factory dash panels. Available in black or silver alloy gauge-face styling, user select illumination colors for the gauge readings and needles, as well as full-color TFT message center for additional information. Calibration and personal settings manipulated with the built-in, capacitive-touch buttons, or the available Bluetooth app devices. Specifications can be found online.

D-1130	58-62	HDX instrument gauge package.....	1800.99
D-1131	58-62	HDX instrument gauge package, metric.....	1800.99
D-1132	58-62	HDX digital clock.....	239.99



D-1130

### Dakota Digital

Connect your Dakota Digital instrument package directly to various ECM combinations. Allows you to plug directly into the diagnostic port, extracting data from computer (ECM) for display.

D-1192	58-62	AEM interface BIM module.....	99.99
D-1191	58-62	Edelbrock interface BIM module.....	99.99
D-1190	58-62	Fast XFi interface BIM module.....	99.99
D-1188	58-62	Holley EFI interface BIM module.....	99.99
D-1189	58-62	MegaSquirt interface BIM module.....	99.99
D-1187	58-62	OBD II / CAN interface BIM module.....	99.99
D-1185	58-62	BIM automatic gear shift sending unit.....	109.99
D-1182	58-62	BIM clock expansion.....	89.99
D-1184	58-62	BIM compass/temperature expansion.....	99.99
D-1181	58-62	BIM GPS speedometer/compass expansion.....	199.99
D-1183	58-62	BIM wideband O2 sensor expansion.....	99.99
D-1186	58-62	Light dimming kit.....	29.99



D-1191

D-1188

D-1181

D-1183

## Speedometer Cable

M-117	53-55	Speedometer cable (steel case)	35.99
M-3550	56-59	Speedometer cable, 3-speed, 60" (steel case)	35.99
M-3551	56-59	Speedometer cable, 4-speed, 60" (steel case) (L)	35.99
M-117	56-62	Speedometer cable, 56-59 Automatic & 56-62 Muncie, 68" (steel case)	35.99
M-3192	60-62	Speedometer cable, 60" (gray case)	32.99



## Speedometer Calibrator

Simple and cost efficient way to operate your stock mechanical speedometer with a transmission equipped with a vehicle speed sensor. Calibrator is designed to pick up electronic speedometer signal and will operate the cable driven speedometer to the corresponding speed.

PM-598	53-62	Speedometer calibrator	369.99
--------	-------	------------------------	--------



## Cable Repair Kit

An alternative to replacing an otherwise good condition speedo or tach cable suffering a broken tip. Includes new inner steel cable and tip.

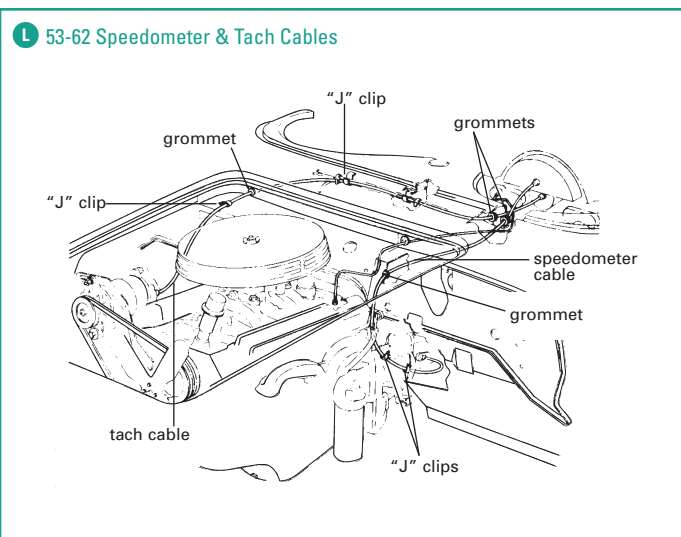
M-2941	53-62	Cable repair kit	11.99
--------	-------	------------------	-------



## Cable Drive Adapter

90° adapter reduces chance of premature cable failure caused by excessive sharp bends in factory speedometer or tachometer cable. Does not affect accuracy of speedometer.

M-2782	53-62	Cable drive adapter	44.99
--------	-------	---------------------	-------



## Tachometer Cable

M-3552	53-55	Tach cable, 6-cylinder (steel case)	44.99
M-118	55-57	Tach cable, 39.5" (steel case)	35.99
M-2738	58-59	Tach cable, 60" (steel case) (L)	35.99
M-139	58-61	Tach cable, 70" (black case)	28.99
M-3191	62	Tach cable, 32" (gray case)	30.99



## Fuel Injection Tachometer Cable

M-118	57	Tach cable, 39.5" (steel case)	35.99
M-2739	58-61	Tach cable w/neoprene firewall seal, 33" (steel case) (L)	96.99
M-3190	62	Tach cable w/firewall boot, 33" (gray plastic case)	64.99



## Firewall Grommets and Mounting

FG-107	53-62	Speedometer & tachometer cable grommet 7/8" diameter (L)	ea 3.99
E-1116	53-62	Speedometer & tachometer cable "J" clip w/screw, 1 1/4" (set of 6) (L)	19.99
E-1117	53-62	Speedometer & tachometer cable "J" clip w/screw, 1 5/8" (set of 7) (L)	20.99
M-3549	58	Tach cable grommet, w/F.I.	19.99
WS-364	62	Tach cable firewall boot w/retainer	25.99
M-3236	62	Tach cable firewall boot retainer	9.99





# Radio & Speaker

## Radio Mount

I-245	58-62	Radio console, fiberglass (pm) (N)	199.99
I-660	58-62	Radio console lower molding	46.99
I-659	58-62	Radio console upper molding	49.99
ZSF-433	58-62	Radio console upper & lower molding screws (10)	3.99
D-139	58-62	Radio console backplate, includes opening for radio, clock, defroster, air & temp	99.99
D-777	58-62	Radio console backplate "flat" speednuts (6)	18.99
I-1097	53-57	Radio mount bracket	13.99
I-1046	58-62	Radio mount bracket (N)	14.99
SF-754	58-62	Radio mount bracket hardware (4 pcs)	3.99



## Radio Lens

D-831	53	Radio lens "Wonderbar"	44.99
D-779	54-55	Radio lens "Wonderbar"	44.99
D-468	56-57	Radio lens "Wonderbar"	32.99
D-466	58-62	Radio lens "Wonderbar"	32.99

Visit us online: [www.zip-corvette.com/int12](http://www.zip-corvette.com/int12)  
Restoring the exterior of your Corvette's radio



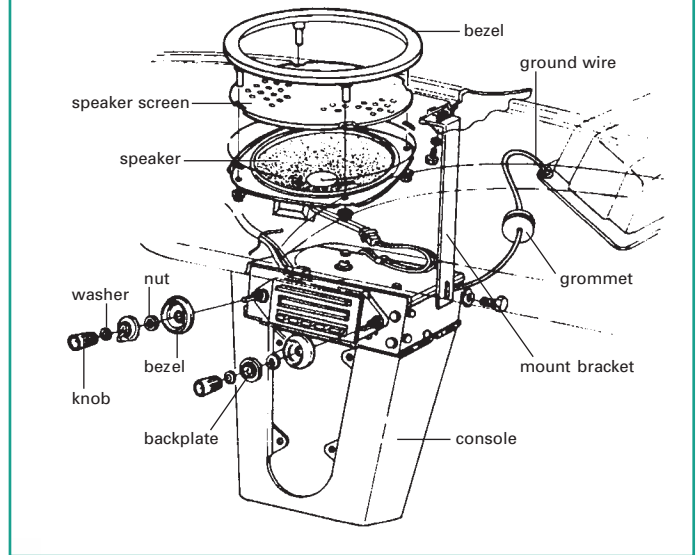
## Radio Face Kit

Completely restores exterior of original factory radio to correct OE appearance. Includes new chrome face plate with lens installed, push bar or selector bar and (5) push buttons.

D-551	58-60	Radio face kit, black letters	179.99
D-550	58-60	Radio face kit, white letters	179.99
D-552	61-62	Radio face kit	179.99



## N 61-62 Radio & Speaker



## Radio Knobs & Indicators

D-526	56-57	Radio knobs (2)	49.99
D-128	58	Radio knob (1 per car)	21.99
D-129	58-60	Radio knob, 58 1 per car & 59-60 2 per car	ea 21.99
D-377	61-62	Radio knob (N)	ea 24.99
D-762	56-62	Radio knob felt washers (2) (N)	3.99
D-633	56-62	Radio knob nuts (2) (N)	4.99
D-130	58	Radio tone knob	ea 7.49
D-131	59-60	Radio tone knob & volume spacers (2)	17.99
I-1041	56-57	Radio indicator backplates, volume & selector (2)	31.99
D-133	58	Radio indicator backplates, volume-tone & selector (2)	46.99
D-138	59-60	Radio indicator backplates & spacer set, volume-tone & selector w/chrome backplates (4 pcs)	36.99
D-136	61-62	Radio indicator backplates & bezel set (4 pcs) (N)	56.99



## Radio Knob & Backplate Set

Fits factory Corvette radio. Includes pair of radio knobs, indicators, backplates, spacers, nuts and felt washers.



D-852	58	Radio knob & backplate set (9 pcs)	89.99
D-851	59-60	Radio knob & backplate set (12 pcs)	89.99
D-853	61-62	Radio knob & backplate set (10 pcs)	89.99

## Radio Instructions

MF-410	53-57	Radio instructions	8.99
MF-289	58-62	Wonderbar radio instructions	4.49

## Radio Electrical

E-1156	53-55	Radio coaxial condenser leads (2)	18.99
E-850	53-54	Radio power lead	20.99
E-574	55-57	Radio power lead	20.99
E-1122	58-62	Radio power lead w/connector	15.99
E-492	58-62	Radio ground to RH valve cover wire (N)	8.99
FG-107	58-62	Radio ground wire firewall grommet (N)	ea 3.99
E-796	58-62	Speaker harness, radio to speaker	15.99



## Speaker

D-760	53-57	Speaker, 4 ohm	57.99
PFG-496	53-57	Speaker fiberglass mount plate	109.99
D-494	53-57	Speaker screen, 3-piece set	84.99
D-1086	53-57	Speaker screen emblem	126.99
D-493	53-57	Speaker screen bezel	87.99
D-955	53-57	Speaker screen & bezel nut set (5)	1.99
I-637	58-62	Speaker w/transformer (N)	36.99
D-761	58-59	Speaker mount stud w/nut kit	16.99
I-665	58-59E	Speaker screen (raised type)	45.99
D-492	59L-62	Speaker screen (flat type) (N)	27.99
I-663	59L-62	Speaker screen bezel (N)	49.99
D-956	59L-62	Speaker screen & bezel nuts (4)	3.49

## High-Energy Speaker

Reproduction 8-10 ohm speaker trumps original Delco unit in every way. High-energy NEO magnet more than doubles the magnetic field strength of factory ceramic magnet for heightened bass and treble response. Your Wonderbar radio never sounded so good! Custom wound load coil matches electrical characteristics of Delco OE speaker. Made in the USA.

D-962	58-62	High-energy 6" x 9" dash speaker	84.99
-------	-------	----------------------------------	-------

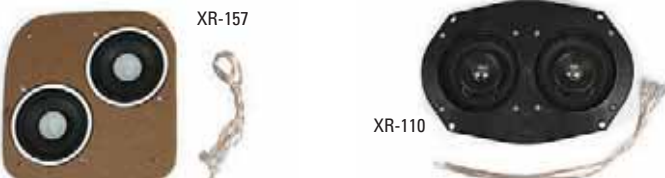


## Stereo Speakers

Put some kick in your classic Corvette! Dual 4" speakers fit factory dash mount with no modifications. XR-110 handles 30 watts. Want better sound? Consider upgrading to a Kenwood 2-way speakers capable of 300 watts. All speakers are designed to install in factory openings.



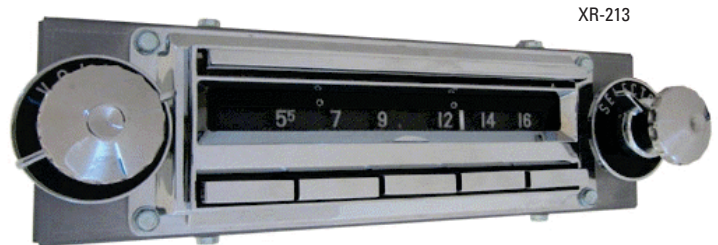
XR-157	53-57	Stereo speaker assembly	39.99
XR-110	58-62	Stereo speaker assembly	44.99
XR-210	58-62	Kenwood stereo speaker	99.99



## AM/FM Bluetooth Repro Radio

Yesterday's look - today's technology. Perfectly designed to match the looks of your factory Corvette radio; including reproduction face, buttons, knobs and indicators. Sitting behind the factory appearance is the latest digital technology including 45 watts of power per channel, accessible controls for bass, treble, balance and fade plus Bluetooth, iPod, MP3 and/or Satellite radio. Everything you need for high-quality sound without compromising the look of your Corvette's original dash.

XR-213	56-57	Wonderbar AM/FM Bluetooth radio	799.99
XR-214	58	Wonderbar AM/FM Bluetooth radio	749.99
XR-215	59-60	Wonderbar AM/FM Bluetooth radio	749.99
XR-216	61-62	Wonderbar AM/FM Bluetooth radio	749.99



## KHE Bluetooth Series

"Old school" looks and "new school" technology. Forget loose cassettes or CDs - stream your music with Bluetooth functionality. Chrome surround with raised buttons and digital indicator. Digital AM/FM tuner with 6AM/6FM presets plus seek/ auto scan, manual up/down tuning and power antenna lead. Separate bass and treble controls, fader, dual AUX inputs, clock and blue-backlit LCD illumination. iPod or MP3 Player USB input and mini SD card reader on front. KHE-100 offers 100 watts (25 x 4) of power; KHE-300 series pumps 200 watts (50 x 4).

XR-190	58-62	KHE-100 Bluetooth series	229.99
XR-177	58-62	KHE-300 Bluetooth series	259.99





**Bluetooth Radio Amplifier**

Used with or without a radio - connect your 2 or 4 speaker system directly to the amplifier and all your music is at the touch of your fingers. When connected to your Corvette's radio you'll have access to all radio functions, once Bluetooth is enabled, the internal sensor mutes the output from the radio and converts to your streamed audio. Small enough (5" x 5" x 2") to be hidden anywhere - keep your factory radio for its aesthetics and hide behind the dash.



XR-212 Bluetooth radio amplifier ..... 189.99

**USA-630 AM/FM Radio**

Best in audio technology wrapped in a classic look. Fits dash without any modifications. Modern USB input for flash drives to playback MP3/WMA song files and iPod dock. Digital display will show artist, song, album titles and allow song navigation. 300 watts peak power plus four RCA pre-outs, auxiliary inputs for satellite radio tuners or iPhones. Electronic tuning & volume control, loudness compensation, 4-way fader, separate bass & treble, balance, 16 pre-sets (12FM/4AM), USA/Euro tuner and power antenna lead. Compatible with BLUKIT adapter.

XR-236 53-57 USA-630 AM/FM Stereo w/USB port ..... 259.99  
 XR-240 58-62 USA-630 AM/FM Stereo w/USB port ..... 259.99

XR-236



XR-240



**BLUKIT Adapter**

Wireless interface for Custom Autosound CD controller radios (USA-630). Plugs into CD changer port of your Custom Autosound radio and gives you the ability for hands free calling from your Bluetooth capable phone. Also listen to music stored on your A2DP enabled Bluetooth device. BLUKIT adapter features CD changer port on the control box.



XR-234 53-62 BLUKIT Bluetooth Adapter ..... 109.99

**Custom Autosound Kick Panels**

Designed to enhance the interior appearance, provide great sound and install with no modifications. Black ABS plastic and can be painted to match the interior and will accept factory style trim and sheet metal. Includes CAM 6 1/2" coaxial 2-way, 100 Watt speakers. Sold in pairs.

XR-249 58-62 Kick panels w/speakers ..... 149.99



XR-237



XR-241

**USA-740 Bluetooth AM/FM Stereo**

Built-in Bluetooth (microphone included), answer calls and stream music from capable phone or compatible device. 300-watt peak power plus Hi 4volt, 4channel RCA Pre-outs and a Subwoofer RCA pre-out. USB input allows you to plug in a USB flash drive for playback of MP3/WMA/FLAC/WAV song files. Front mini jack auxiliary input and rear RCA auxiliary input provide versatility for satellite radio, iPod or portable player. Multiple LCD color choices with LCD dimmer control. The AM/FM RDS tuner shows station, song and artist on display. Other features: 25 presets (15FM/10AM) w/autostore function, Direct CD-I Control, Separate Bass/Mid/Treble control, Loudness compensation, Fader & balance, USA/EUR/JAP/RUS Tuner and power antenna lead.

XR-237 53-57 USA-740 Bluetooth AM/FM Stereo ..... 349.99  
 XR-241 58-62 USA-740 Bluetooth AM/FM Stereo ..... 349.99

**Slidebar AM/FM Stereo**

Authentic classic without sacrificing technology. True working slidebar display AND full-featured digital display by simply sliding the bar. Large OEM style push-buttons compliment the classic look. Features: 300-watt peak power, 4 channel RCA Pre-outs, USB input for MP3/WMA/FLAC/WAV song files, Rear RCA auxiliary input for satellite radio, iPod or portable player. 7 LCD color choices with dimmer control, AM/FM RDS tuner with 25 presets (15FM/10AM) w/autostore function, Direct CD-I Control, Separate Bass/Mid/Treble control, Loudness control, Fader & balance, USA/EUR/JAP/RUS Tuner and power antenna lead.

XR-238 53-57 Slidebar AM/FM Stereo ..... 289.99





## Trunk Liner & Mat

### Reproduction Trunk Liner

Includes correct grain, cut-outs and manufacturer's ID. TR-158 is flat panel, others are molded as original. Available in black, pre-painted or paint to match interior color.

TR-92	56-60	Trunk liner board, specify year & w/power top or w/o power top (M) .....	149.99
TR-182	56-57	Trunk liner board, specify color .....	189.99
TR-183	58	Trunk liner board, specify color .....	189.99
TR-184	59	Trunk liner board, specify color .....	189.99
TR-185	60	Trunk liner board, fits All 60 w/power top & 60E w/o power top, specify color .....	189.99
TR-158	60L	Trunk liner board (flat), w/o power top .....	149.99
TR-159	61-62	Trunk liner board, w/power top, black .....	149.99
TR-187	61-62	Trunk liner board, w/power top, specify color .....	189.99
TR-160	61-62	Trunk liner board, w/o power top, black .....	149.99
TR-186	61-62	Trunk liner board, w/o power top, specify color .....	189.99

TR-159



### Replacement Trunk Liner

Cost saving alternative to correct reproduction liner. Flat with no grain or ID markings. Specify red or black.

TR-82	56-60	Trunk liner board, replacement .....	39.99
TR-83	61-62	Trunk liner board, replacement .....	39.99

TR-82



### Trunk Liner Mounting

TR-177	56-62	Trunk center metal support, behind trunk liner board (M) .....	45.99
TR-149	59-62	Trunk liner board upper "S" clips, includes correct markings (4) (M) .....	9.99
TR-104	56-62	Trunk liner board mounting brackets (2) (M) .....	15.99
TR-109	56-59	Trunk liner board screws, correct (16 pcs) (M) .....	8.99
TR-108	60-62	Trunk liner board screws, correct (8 pcs) (M) .....	7.99

TR-177

TR-104

TR-109

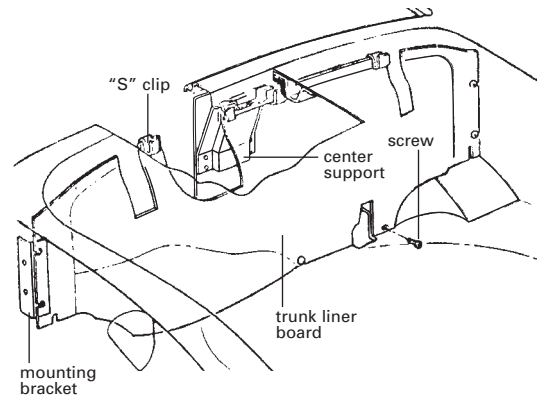
TR-149



### 53-55 Trunk Components

TR-173	54-55	Side curtain storage bag .....	279.99
SF-700	53-55	Side curtain storage bag clips (2) .....	15.99
TR-172	53-55	Trunk liner board, specify red or beige .....	119.99

### M 56-62 Trunk Liner Board



### Trunk Mat

Reproductions in correct colors with molded-in part numbers as original. '56-60 mats include fitted utility cover to protect mat from scuffing. Specify color. No Discount.

TR-170	54-55	Trunk mat, red .....	409.99
TR-151	56-57	Trunk mat, specify red or black .....	319.99
TR-152	58	Trunk mat, specify red or black .....	319.99
TR-152A	58	Trunk mat, blue-gray .....	319.99
TR-153	59	Trunk mat, specify red or black .....	319.99
TR-153A	59	Trunk mat, specify blue or turquoise .....	319.99
TR-154	60	Trunk mat, specify red or black .....	319.99
TR-154A	60	Trunk mat, specify blue or turquoise .....	319.99
TR-163	61-62	Trunk mat, black .....	389.99
TR-171	61-62	Trunk mat, fawn .....	399.99
TR-195	61-62	Trunk mat, Jewell blue .....	399.99
TR-164	61-62	Trunk mat, red .....	389.99

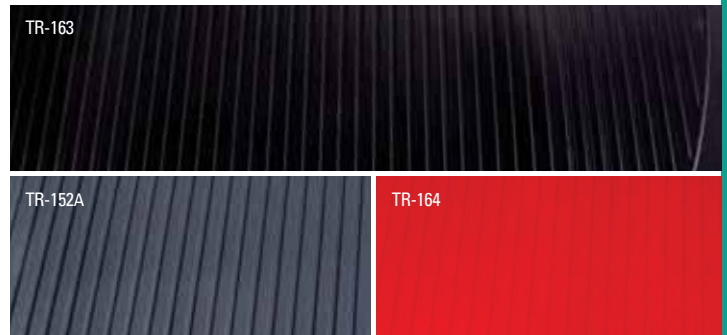
Note: '60 mats are correct for cars before S/N 4700, and all with power top.

See page 19 for spare tire related; page 59 for trunk latch.

TR-163

TR-152A

TR-164



## Antenna

### 56-60 Antenna

A-108	56-58E	Antenna assembly (A)	121.99
A-376	58L-60	Antenna assembly w/upper mast rings	125.99

Note: Assembly includes lower tube, upper mast, underbody spacer, upper nut, upper nut spacer and lower tube clamp. Does not include cable.

ZWS-101	56-60	Gasket (A)	2.29
A-357	56-60	Inner nut, antenna metal inner nut	3.49
A-100	56-60	Nut (black plastic) (A)	9.99
A-101	56-60	Nut spacer, above body (black plastic) (A)	9.99
A-103	56-60	Underbody mount spacer (A)	15.99
A-360	56-60	Upper mount kit, includes nut, spacer & gasket	19.99



56-60 Antenna Components

61-62 Antenna Components

### 61-62 Antenna

A-110	61-62	Antenna assembly (A)	125.99
-------	-------	----------------------	--------

Note: Assembly includes lower tube, upper mast, underbody spacer, upper nut, upper nut spacer and lower tube clamp. Does not include cable.

WS-301	61-62	Gasket (A)	3.99
A-358	61-62	Lower antenna tube w/lock washer	18.99
A-361	61-62	Lower antenna tube lock washer	6.99
A-104	61-62	Nut (chrome) (A)	11.99
A-105	61-62	Nut spacer, above body (chrome) (A)	10.99
A-106	61-62	Underbody mount spacer (A)	15.99
A-365	61-62	Upper mount kit, includes chrome nut, spacer & gasket	24.99



## Outside Mirror

MR-101	53-62	Outside mirror, LH, "Guide Y-50" includes mount kit	89.99
MR-397	53-62	Outside mirror, RH, "Guide Y-50" includes mount kit	89.99
ZMR-339	53-62	Outside mirror bracket kit, includes gasket & hardware	14.99
ZSF-473	53-62	Outside mirror bracket screws w/nuts (4 pcs)	1.99
ZWS-130	53-62	Outside mirror gasket	2.49
ZMR-103	53-62	Outside mirror to bracket screw	3.49
X-3138	53-62	"Objects In Mirror Are Losing" mirror decal, 3" x 1/2"	ea 5.99



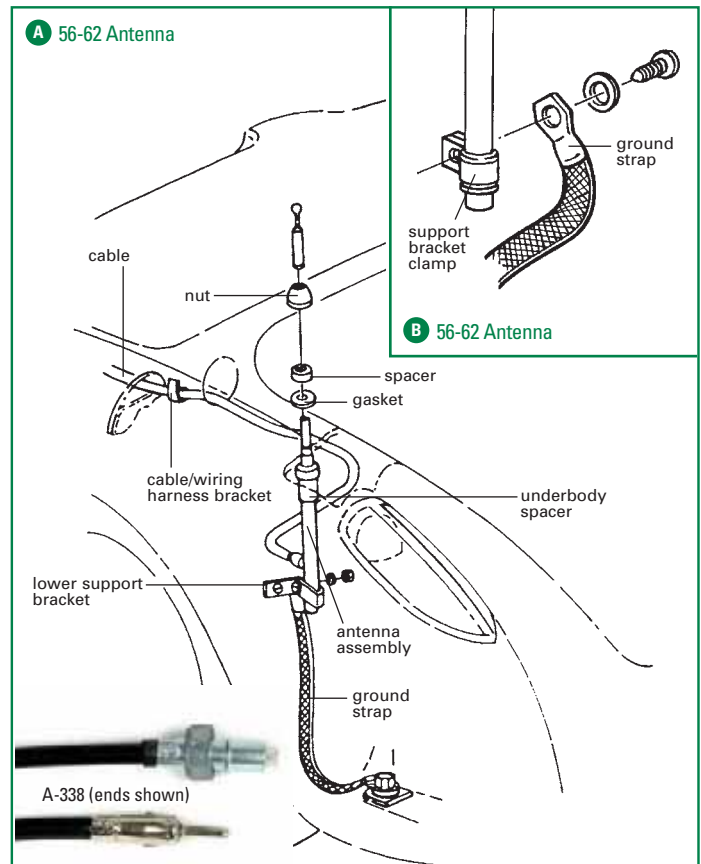
## Cables & Ground Strap

A-377	56-62	Cable, w/correct serrated nut (A)	29.99
A-348	56-62	Cable/wiring harness bracket, "long" (A)	6.99
A-347	56-62	Cable/wiring harness bracket, "short" (A)	6.99
M-3262	56-62	Ground strap (A)(B)	7.99

Note: Cable brackets mount under deck lid and hold rear wiring harness.

## Antenna Mount

A-112	56-62	Lower support bracket, rivets to inner fender (A)	9.99
A-349	56-62	Support bracket clamp w/bolt & nut (B)	8.99



# 10% RESTORER'S DISCOUNT

HOW IT WORKS – Retail customers receive 10% savings on a minimum purchase of \$850.00 of any combination of parts and/or accessories from this catalog or Zip's Web store. Sorry, No Discount ("ND") items may be included in total value but are not eligible for discount. Offer applies to a single order only and some restrictions apply, call your Zip Products sales representative for details.

## Emblems

### Front Emblems

T-419	53-55	Front emblem .....	124.99
T-117	56-57	Front emblem .....	54.99
T-337	56-57	Front emblem bezel.....	42.99
ZWS-4480	56-57	Front emblem body gasket.....	3.49
T-103	58-60	Front emblem, gold reproduction.....	74.99
T-107	58-60	Front emblem backplate (aluminum) .....	29.99
T-106	58-62	Front emblem bezel.....	42.99
ZWS-222	58-60	Front emblem body gasket.....	3.49
T-104	61	Front emblem .....	59.99
T-114	62	Front emblem .....	84.99
T-113	61-62	Front letter kit, "CORVETTE".....	49.99



### Rear Emblems

T-110	57	"Fuel Injection" rear script.....	46.99
T-117	56-57	Rear emblem .....	54.99
T-337	56-57	Rear emblem bezel.....	42.99
ZWS-4480	56-57	Rear emblem body gasket .....	3.49
T-103	58-62	Rear emblem, gold reproduction .....	74.99
T-107	58-61	Rear emblem backplate (aluminum) .....	29.99
T-380	62	Rear emblem backplate (black).....	32.99
T-106	58-62	Rear emblem bezel.....	42.99
ZWS-222	58-62	Rear emblem body gasket .....	3.49



### Front or Rear Gold Emblem Kit

Includes new reproduction emblem, bezel, backplate (black for '62), gasket and correct winged speed nuts. Note all 1958-62 Corvettes were built with gold emblems – silver emblems were GM replacement.

T-385	58-60	Front gold emblem kit.....	124.99
T-385	58-61	Rear gold emblem kit.....	124.99
T-384	62	Rear gold emblem kit (black backplate).....	124.99



## Emblem Speed Nut Kit

Includes all nuts needed to secure emblems, nameplates, bezels, side spears, moldings, taillights, parking lamps, etc.



ZSF-100	58	Speed nut kit (60 pcs).....	7.99
ZSF-101	59-60	Speed nut kit (69 pcs).....	8.99
ZSF-102	61	Speed nut kit (91 pcs).....	12.99
ZSF-103	62	Speed nut kit (65 pcs).....	8.99
10747	56-62	Individual speed nut, small.....	ea .49
10748	56-62	Individual speed nut, medium.....	ea .49
10749	56-62	Individual speed nut, large.....	ea .49
10746	56-62	Individual speed nut, X-large.....	ea .49

### Side Emblems

T-112	61	Side bars, red & blue (4 included).....	78.99
T-109	61	Side emblem, "CORVETTE" (pair).....	49.99
T-383	61	Side emblem kit, includes (4) side bars & (2) "CORVETTE" emblems (car set).....	127.99
T-401	57	Side flag, Fuel Injection cars (pair) .....	96.99
T-121	57-60	Side flags, "show quality" (pair).....	79.99
T-120	62	Side flags, "show quality" (pair).....	49.99



### Fuel Injection Emblems

T-110	57	"Fuel Injection" side script .....	ea 46.99
T-467	57	"Fuel Injection" side scripts (pair) .....	79.99
T-111	58-61	"Fuel Injection" side scripts (pair) .....	93.99
T-105	62	"Fuel Injection" side emblems (pair) .....	80.99



### Reproduction Winged Speed Nuts

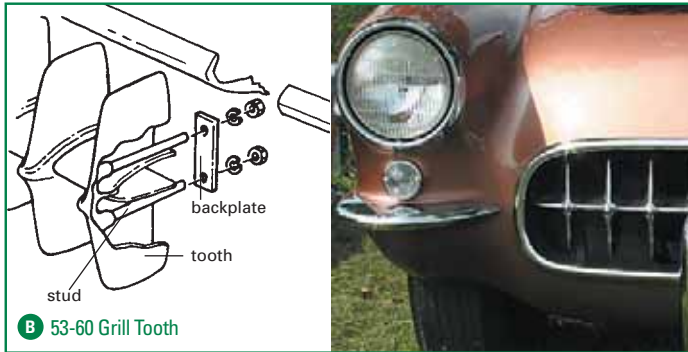
SF-510	58-62	Winged speed nut, for use on front or rear emblems .....	1.99
SF-511	58-62	Winged speed nut tool.....	31.99



## Grill Components

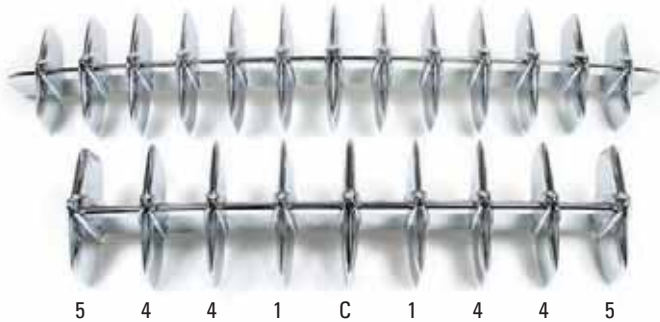
### 53-57 Grill

GR-351	53-57	Grill, complete, includes grill bar, grill teeth, backplates, studs & bar mounting brackets (13 tooth).....	569.99
GR-100	53-57	Grill bar.....	164.99
GR-330	53-57	Grill bar mounting brackets (5 pcs).....	49.99
SF-731	53-57	Grill bar mounting bracket hardware (30 pcs).....	4.49
GR-104	53-57	Grill tooth (see chart for grill tooth numbering) (B).....	ea 34.99
GR-349	53-57	Grill tooth set, set of (13) w/backplates & studs.....	399.99
GR-103	53-57	Grill tooth backplate (13 per car) (B).....	ea 2.69
GR-102	53-57	Grill tooth stud (26 per car) (B).....	ea 1.59



### 53-57 Grill Teeth

6 5 4 1 1 1 C 1 1 1 4 5 6



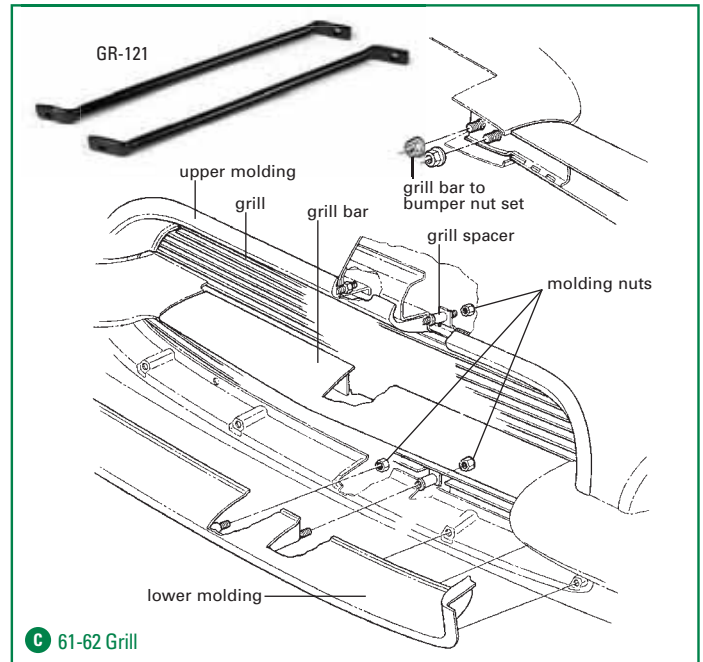
### 58-60 Grill Teeth

### 58-60 Grill

GR-333	58-60	Grill, complete, includes grill bar, grill teeth, backplates, studs & bar mounting brackets (9 tooth).....	399.99
GR-107	58-60	Grill bar.....	109.99
GR-108	58-60	Grill bar mounting end brackets (2).....	21.99
GR-358	58-60	Grill bar to bumper mount nuts (8).....	3.99
GR-104	58-60	Grill tooth (see chart for grill tooth number).....	ea 34.99
GR-345	58-60	Grill tooth set, set of (9) w/backplates & studs.....	279.99
GR-103	58-60	Grill tooth backplate (9 per car) (B).....	ea 2.69
GR-102	58-60	Grill tooth stud (18 per car) (B).....	ea 1.59

### 61-62 Grill

GR-353	61	Grill, silver mesh (C).....	699.99
GR-354	62	Grill, black mesh (C).....	699.99
GR-109	61-62	Grill bar (C).....	94.99
GR-356	61-62	Grill bar to bumper nut set (4) (C).....	2.49
GR-312	62	Grill spacers (8) (C).....	15.99



### Grill Moldings

GR-339	53-57	Grill oval, brass/chrome reproduction (ND).....	1349.99
GR-329	53-57	Grill oval mount retainer plates (10).....	32.99
SF-732	53-57	Grill oval mount hardware (39 pcs).....	5.59
GR-320	58-62	Grill outer molding, lower (LH or RH).....	75.99
GR-322	58-62	Grill outer molding, upper (LH or RH).....	74.99
GR-318	58-62	Grill lower molding (C).....	619.99
GR-319	58-62	Grill upper molding (C).....	599.99
GR-355	58-62	Grill molding set, 6 pcs w/mount kit.....	1459.99
GR-378	58-62	Grill molding stud kit (30 pcs) (C).....	28.99
GR-357	58-62	Grill molding nut & washer kit (84 pcs) (C).....	12.99

### Nose Support Rod

GR-121	58-62	Support rods (2).....	26.99
BL-313	58-62	Support rod bolts, "TR" headmark (2).....	9.99
GR-120	58-62	Support rod brackets w/rivets (car set).....	14.99



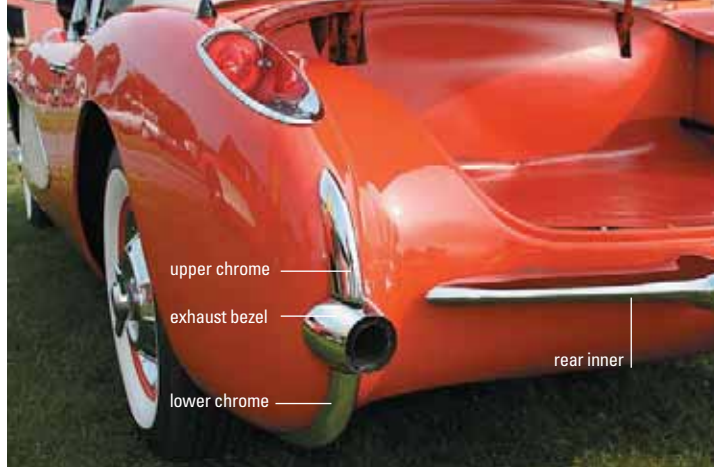
Left-hand ("LH") = driver's side; right-hand ("RH") = passenger side



# Bumpers & License Hardware

## 56-57 Front Bumper

BU-104	56-57	Front bumper, crescents.....	249.99
BL-547	56-57	Front bumper mount hardware, bolts, nuts & washers for mounting crescent bumpers (18 pcs) .....	5.99



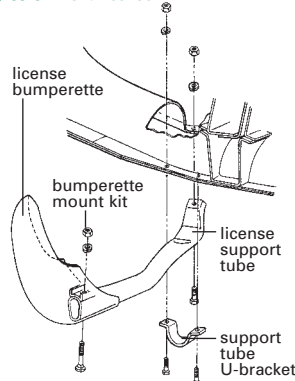
## 56-57 Rear Bumper

BU-514	56-57	Rear inner horizontal bumpers (D) .....	559.99
BU-435	56-57	Rear bumper brace (LH or RH) (D).....	Call
BL-636	56-57	Rear bumper brace to frame nut plates & mount bolts, includes (2) nut plates & (4) "WB" headmark bolts w/washers.....	26.99
BU-322	56-57	Rear bumper brace to body seals (2) (D).....	19.99
BU-434	56-57	Rear bumper horizontal center support (D).....	ea 76.99
WS-4699	56-57	Rear bumper cushion, 1" thick (4 per car) (D).....	ea 3.99
WS-207	56-57	Rear bumper cushion spacer (4 per car) (D).....	ea 2.99
WS-4700	56-57	Rear bumper cushions & spacer set, includes (4) cushions & (4) spacers (car set) (H).....	19.99
BU-471	56-57	Rear bumper marsden nuts (4) (D).....	4.99
BU-474	56-57	Rear exhaust bezel chrome (E).....	ea 129.99
BU-473	56-57	Rear exhaust lower chrome (E).....	ea 149.99
BU-472	56-57	Rear exhaust upper chrome (E).....	ea 79.99
BU-105	56-57	Rear exhaust chrome, 6-piece set w/exhaust insulators.....	734.99
BU-489	56-57	Rear exhaust chrome paint savers (car set) .....	19.99
SF-677	56-57	Rear exhaust chrome/insulator nut kit .....	6.69
L-103	56-57	License light housing assemblies, assembled w/all screws, lenses, backplates & chrome bezels (car set) (D).....	139.99

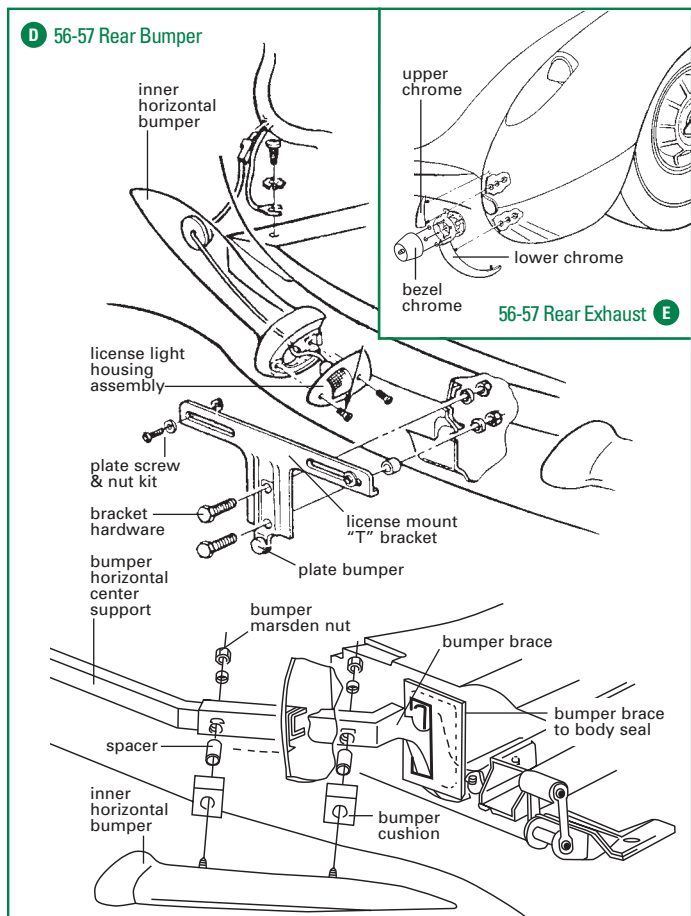
## 53-57 Front License Assembly

BU-493	53-55	License bumperettes (pair) .....	249.99
BU-494	56-57	License bumperettes (pair) .....	239.99
BU-415	53-57	License bumperette & support tube mount kit (28 pcs), (6) "WB" headmark bolts, (2) carriage bolts & hardware (F).....	8.49
BU-103	53-57	License crossbar .....	41.99
BU-100	53-57	License support tubes (2) (F) .....	89.99
BU-408	53-57	License support tube U-brackets (2) (F) .....	29.99

### F 53-57 Front License



### D 56-57 Rear Bumper



## Front License Assembly

Includes correct reproduction bumperettes, license crossbar, support tubes, "U" brackets & mount hardware.

BU-469	56-57	Front license assembly .....	399.99
--------	-------	------------------------------	--------



## 53-57 Rear License Mount

ZBU-125	53-60	License mount "T" bracket (D) .....	26.99
BU-337	53-60	License mount "T" bracket hardware kit, "TR" bolts & hardware (9 pcs) (D) .....	11.99
BU-467	53-60	License plate screw & nut kit (D).....	3.99
DR-476	53-60	License plate bumper (D).....	ea 1.49









# Exterior Trim & Molding

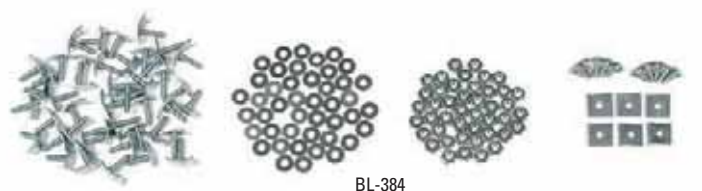
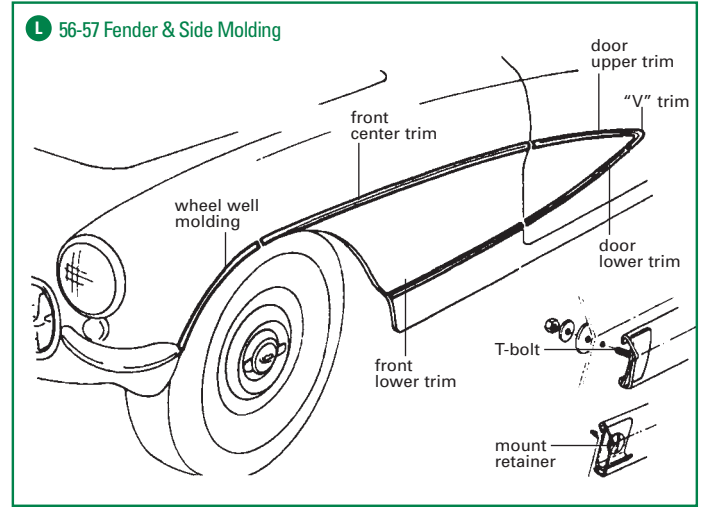
## 53-55 Exterior Moldings

ET-465	53-55	Flipper moldings, late design (pair)	289.99
HDL-410	53-55	Headlight bezel	ea 229.99
ET-466	53-55	Headlight screens (2)	224.99
ET-461	53-55	Side chrome front trim	Call
ET-460	53-55	Side chrome door trim (LH or RH)	Call
ET-459	53-55	Side chrome rear trim (LH or RH)	Call
ET-458	53-55	Side chrome mount kit (20 pcs)	48.99
ET-457	53-55	Side chrome U-shaped clip	ea 5.99
ET-456	53-55	Side gullwings (pair) (ND)	609.99
ET-467	53-55	Rear exhaust bezels (2)	229.99
ET-455	53-55	Rear license bezel	459.99
SF-685	53-55	Rear license bezel screws (8 pcs)	5.59
ET-454	53-55	Rear license plexiglas	Call
ET-453	53-55	Rear license plexiglas gasket	14.99
ET-464	53-55	Rear license plexiglas & bezel screws (8)	5.99



## 56-57 Fender & Side Moldings

ET-31	56-57	Fender scoop inserts (2)	229.99
SF-686	56-57	Fender scoop insert fasteners (4 pcs)	2.99
ET-429	56-57	Side cove trim set w/mounting kit (car set)	579.99
ET-379	56-57	Side cove trim, front lower (LH or RH) (L)	57.99
ET-382	56-57	Side cove trim, front center (LH or RH) (L)	112.99
ET-380	56-57	Side cove trim, door lower (LH or RH) (L)	57.99
ET-381	56-57	Side cove trim, door upper (LH or RH) (L)	57.99
<i>Note: Zip's side cove trim includes correct retainer kit for installation.</i>			
ET-30A	56-57	Side cove trim, "V" on door, includes retainer kit (L)	ea 34.99
BL-332	56-57	Side cove trim mount T-bolt, correct (36 per car) (L)	ea 2.99
BL-333	56-57	Side cove trim mount retainer (6 per car) (L)	ea 3.99
BL-692	56-57	Side cove trim mounting kit, (36) original style T-bolts, washers, nuts & retainers (car set)	69.99
ET-11	56-57	Wheel well moldings (2) (L)	84.99
ET-463	56-57	Wheel well molding screws (4)	2.99



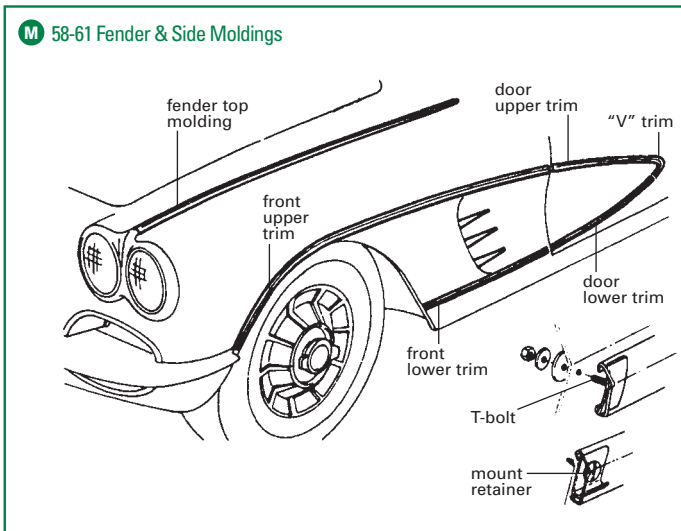
Left-hand ("LH") = driver's side; right-hand ("RH") = passenger side



## 58-62 Fender Moldings

ET-313	58-62	Fender top moldings, stainless (2) (M)	299.99
ET-396	61-62	Fender top molding extensions (2)	43.99
ET-501	58	Fender top trim metal reinforcement, original for 58, good replacement for 59-62 Corvettes (2)	126.99
PFG-498	58-62	Fender top trim reinforcement, fiberglass (pm)	ea 89.99
ET-421	58-62	Fender top trim mounting speed nuts (22 pcs)	5.99

### M 58-61 Fender & Side Moldings



## 58-61 Side Moldings

ET-430	58-61	Side cove trim set w/mounting kit (car set)	539.99
ET-379	58-61	Side cove trim, front lower (LH or RH) (M)	57.99
ET-378	58-61	Side cove trim, front upper (LH or RH) (M)	119.99
ET-380	58-61	Side cove trim, door lower (LH or RH) (M)	57.99
ET-381	58-61	Side cove trim, door upper (LH or RH) (M)	57.99

*Note: Zip's side cove trim(except front upper) includes correct retainer kit for installation.*

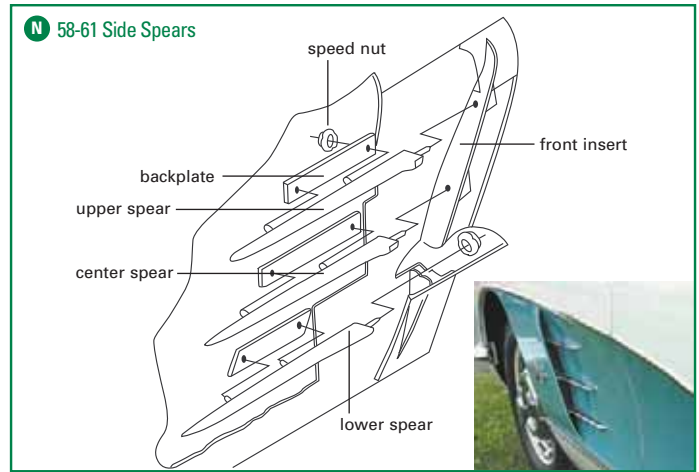
ET-30A	58-61	Side cove trim, "V" on door, includes retainer kit (M)	ea 34.99
BL-332	58-61	Side cove trim mount T-bolt (44 per car) (M)	ea 2.99
BL-333	58-61	Side cove trim mount retainer (6 per car) (M)	ea 3.99
BL-384	58-61	Side cove trim mounting kit, (44) original style T-bolts, washers, nuts & retainers (car set)	79.99

## 62 Rocker & Side Cove Moldings

ET-38	62	Rocker molding	Call
ET-208	62	Rocker molding retainer, 1-piece must be cut to length, replacement	ea 14.99
SF-424	62	Rocker molding mount hardware (52 pcs)	13.99
ET-435	62	Side cove moldings, 2nd design (2)	599.99
SF-425	62	Side cove molding hardware kit (18 pcs)	6.99



### N 58-61 Side Spears



## 58-61 Side Spears

ET-613	58-61	Side spear set (imported) (N)	189.99
ET-350	58-61	Side spear, upper, GM licensed (LH or RH) (N)	49.99
ET-351	58-61	Side spear, center GM licensed (LH or RH) (N)	49.99
ET-352	58-61	Side spear, lower GM licensed (LH or RH) (N)	49.99

*Note: Zip's GM licensed side spears include backplates and mounting speed nuts.*

ET-407	58-61	Side spear set, GM licensed, includes backplates & speed nuts (car set)	264.99
ET-614	58-61	Side spear set, imported, includes backplates & speed nuts (car set)	219.99
ET-349	58-61	Side spear backplates (6) (N)	13.99
ET-12	58-61	Side spear front inserts, black (2) (N)	29.99
SF-529	58-61	Side spear mounting hardware kit (18 pcs)	3.99



## 58-60 Rear Fender Reflectors & Trunk Irons

ET-28	58-60	Rear fender reflector	ea 22.99
ET-29	58-60	Rear fender reflector bezel	ea 23.99
ET-35	58-60	Rear fender reflector mount kit (6 pcs)	8.99
ET-468	58-60	Rear fender reflector kit, includes (2) reflectors, (2) brackets & mount kit (car set)	84.99
TR-189	58	Trunk irons (2) (NDR)	2999.99





## Hardtop

### Front Latch & Guide Pin

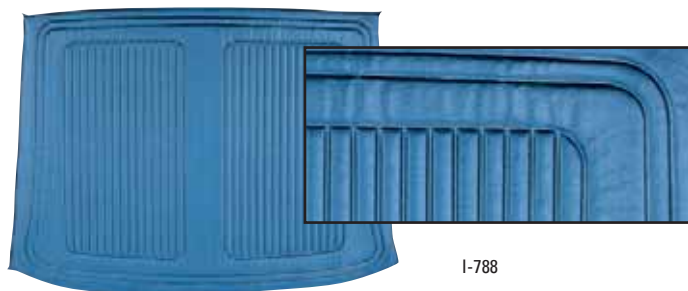
CT-17	56-62	Front guide pin (2 per car)	ea	7.99
HT-337	56-62	Front latch, correct short handle (LH or RH)		129.99
CT-29	56-62	Front latch adjuster plates (car set)		44.99
SF-393	56-62	Front latch screws w/washers (4)		6.99



### Headliner

'56-62 headliners feature correct color vinyl and grain. Mounted on foam backing. Molded headliner ships truck freight collect.

I-2471	56-57	Headliner, correct molded, specify color		629.99
I-787	56-57	Headliner, flat replacement, specify color		259.99
I-2472	58	Headliner, correct molded, specify color		739.99
I-811	58	Headliner, flat replacement, specify color		449.99
I-2473	59-60	Headliner, correct molded, specify color		489.99
I-788	59-60	Headliner, flat replacement, specify color		299.99
I-2474	61-62	Headliner, correct molded, white		489.99
I-1636	61-62	Headliner, flat replacement, white		289.99
ZSF-443	56-62	Headliner trim screws (8 pcs)		3.99
MG-55	56-62	Headliner spray adhesive, 19 3/4 oz aerosol		23.99



### Hardtop Storage

Easy-to-use aluminum cart with casters to store hardtop when not in use. Fully protect with 1-piece dust resistant flannel cover.

HT-470	Hardtop storage cart	164.99
CC-78	Hardtop cover, flannel lined	42.99



### Molding & Clips

HT-397	57-62	Front header molding retainer	89.99
HT-103	57-62	Front outer center trim clip	12.99
HT-104	56-62	Rear inner center molding trim clip (B)	10.99
HT-114	56-62	Rear window 90° corner molding (B)	ea 16.99
HT-432	56-58	Rear window "Y"-shaped trim molding (LH or RH)	36.99



### Hold Down

HT-105	56-62	Hold down bolt (A)	ea 4.99
HT-106	56-62	Hold down anchor (A)	ea 5.99
HT-111	56-62	Hold down anchor jam nuts (2) (A)	1.49
HT-373	56-62	Hold down anchor gaskets (2)	1.99

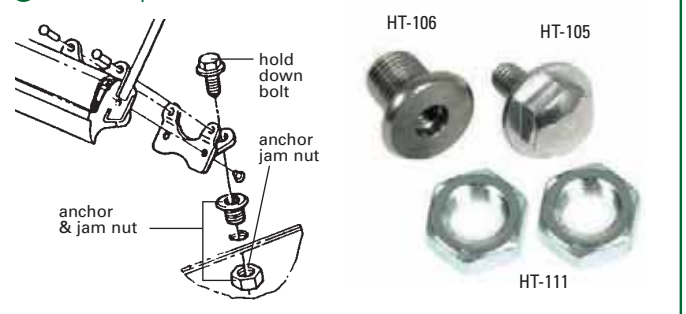
### Hardtop Wrench

Reproduction of original wrench supplied with all Corvettes with a factory installed hardtop.



TL-111	58-62	Hardtop wrench, correct reproduction	37.99
--------	-------	--------------------------------------	-------

### A 56-62 Hardtop Hold Down



### Hardtop Mount Kit

Includes all needed hold down bolts, anchors, nuts and gaskets to secure rear and sides of hardtop to body. Car set.

HT-412	56-60	Hardtop mount kit	39.99
HT-413	61-62	Hardtop mount kit	46.99



Left-hand ("LH") = driver's side; right-hand ("RH") = passenger side

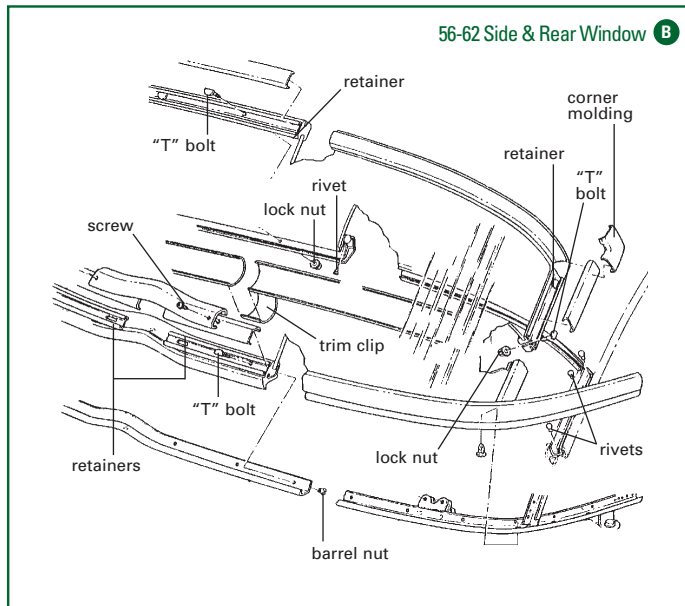


## Side & Rear Window

GL-102	56-60	Glass, sides, dated (2) (C)	79.99
GL-315	56-60	Glass, sides, undated (2) (C)	79.99
GL-103	61-62	Glass, sides, dated (2) (C)	79.99
GL-316	61-62	Glass, sides, undated (2) (C)	79.99
HT-302	56-60	Glass, rear window, plexiglas, dated (ND)	349.99
HT-303	61-62	Glass, rear window, plexiglas, dated (ND)	349.99
HT-398	56-62	Rear window/molding upper retainer (B)	89.99
HT-399	56-58	Rear window/molding lower retainer	179.99
HT-400	59-60	Rear window/molding lower retainer	229.99
HT-401	61-62	Rear window/molding lower retainer (LH or RH) (B)	124.99
HT-403	56-58	Rear window/molding side retainer (LH or RH)	31.99
HT-404	59-60	Rear window/molding side retainer (LH or RH) (B)	31.99
HT-405	61-62	Rear window/molding side retainer (LH or RH)	37.99
HT-402	56-58	Side window/molding lower retainer (LH or RH) (C)	31.99

Note: Hardtop window/molding retainers are a space-age polycarbonate material that facilitates easier installation – plus eliminates typical deterioration.

Dated glass includes correct manufacturer's logo. Specify date or serial number and year of car. Allow 2-3 weeks for delivery. Dated glass is not returnable.

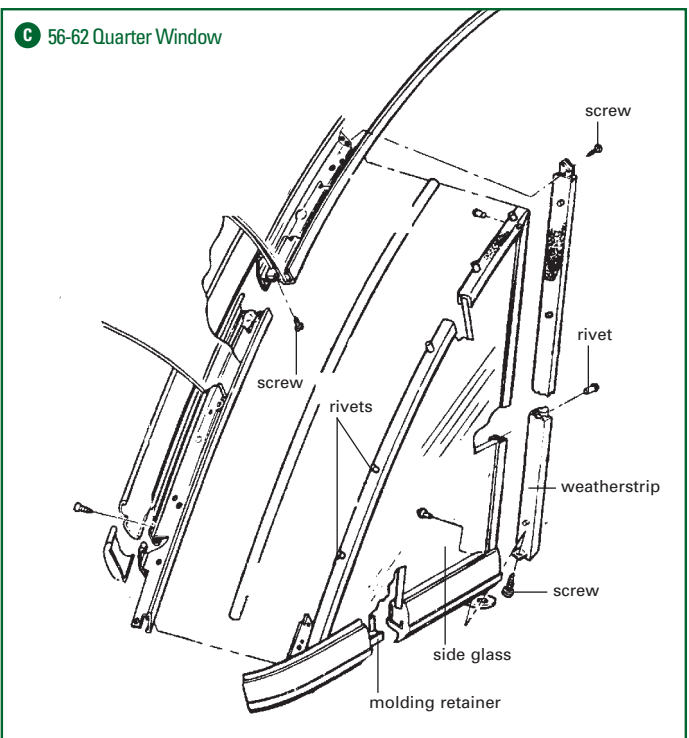


## Hardtop Repair Kit

Includes the right parts to help restore your Corvette's factory hardtop to original condition: dated rear and side windows, barrel nuts and short studs, rivet kit, rear retainers and screws. Specify year and serial number.

HT-356	56-58	Hardtop repair kit	769.99
HT-357	59-60	Hardtop repair kit	769.99
HT-358	61-62	Hardtop repair kit	769.99

Note: Glass is manufactured to original specifications with correct dates and logos. Rear window requires \$30.00 shipping and crating charge. Prepaid only.



## Side Receiver & Mount

HT-120	61-62	Side mount brackets, correct (2)	119.99
HT-117	56-57E	Side receiver moldings (hole) w/hardware, mounts to body (car set)	59.99
HT-118	57L-58E	Side receiver moldings (slot) w/hardware, mounts to body (car set)	59.99
HT-119	58L-60	Side receiver moldings w/rubber insert, includes mount kit, mounts to body (car set)	224.99
HT-330	58L-60	Side receiver rubber insert only (2)	46.99
BL-630	58L-60	Side receiver mount kit (10 pcs)	5.59
HT-372	56-60	Side receiver mount nuts (2)	5.99



## Hardware

HT-406	56-62	Hardtop rivet kit (B)(C)	18.99
Note: Hardtop rivet kits include all necessary rivets for attaching hardtop components, including short rivets for bottom of side windows, long rivets for top of side windows, aluminum rivets through glass, flat head rivets for vertical weatherstrip and spiral drive rivets for header weatherstrip.			
HT-408	56-62	Hardtop screw kit (C)	24.99
Note: Includes all correct screw fasteners for attaching hardtop components, including screws for rear bow weatherstrip, top of side window, exterior side rail, horizontal weatherstrip, interior side rail and header bar to frame.			
HT-326	56-62	Rear window barrel nuts, stainless (6) (B)	19.99
HT-346	56-62	Rear window retainer "T" bolt, 7/8" long stainless (16 per car) (B)	ea 5.99
HT-409	56-62	Rear window retainer "T" bolt, 1/2" long stainless (16 per car) (B)	ea 4.99
HT-410	56-60	Rear window rivet shim	18.99
HT-411	61-62	Rear window rivet shims (2)	36.99



## Convertible Top

### Convertible Top Package

Includes all-new bows, pads, straps, canvas, weatherstrip, retainers, front and rear latches, screws, T-nuts and bolts. Top, latches and weatherstrip must be installed. Order bracket set if your Corvette came equipped with a factory hardtop only. Specify color. No Discount.

CT-210	56-58	Convertible top complete.....	3449.99
CT-214	59	Convertible top complete.....	3449.99
CT-212	60	Convertible top complete.....	3449.99
CT-213	61-62	Convertible top complete.....	3449.99

### Convertible Top Kit

Zip's '53-62 convertible tops match the factory originals in fit, finish and appearance. Available in 40oz. OE-style vinyl with sewn ('56-59) or heat sealed ('60-62) clear plastic rear window as original. Vinyl tops available in black, white or tan as applicable. For the custom contemporary look, tops are available in Haartz Stayfast 3-layer cloth material. Features an exterior square weave acrylic and inner black cloth lining to enhance your interior. Stayfast cloth available in black or tan. Kits include deluxe soft top pads, rear window straps, rear bow hold-in cord, finish strips with trim tips and authentic washing instruction tag.

CT-293	53-55	Convertible top kit, OE-style canvas.....	1129.99
CT-328	53-55	Convertible top kit, OE-style canvas (dated).....	1209.99
CT-294	55	Convertible top kit.....	489.99
CT-329	55	Convertible top kit (dated).....	569.99
CT-200	56-58	Convertible top kit.....	389.99
CT-330	56-58	Convertible top kit (dated).....	489.99
CT-381	56-58	Convertible top kit, Stayfast cloth.....	559.99
CT-201	59	Convertible top kit.....	379.99
CT-331	59	Convertible top kit (dated).....	489.99
CT-382	59	Convertible top kit, Stayfast cloth.....	559.99
CT-202	60	Convertible top kit.....	399.99
CT-332	60	Convertible top kit (dated).....	499.99
CT-383	60	Convertible top kit, Stayfast cloth.....	579.99
CT-203	61-62	Convertible top kit.....	399.99
CT-333	61-62	Convertible top kit (dated).....	499.99
CT-384	61-62	Convertible top kit, Stayfast cloth.....	579.99

*Dated convertible tops include correct manufacturer's logo and date code for rear window. Specify date or serial number and year of car. Dated tops are not returnable.*



### RaggTopp Cleaner & Protectant

Lifts the toughest stains from both vinyl and fabric tops. Safe for paint, chrome, rubber and plastic ensuring your Corvette is safe while cleaning. Protectant repels dust, water and mildew keeping your top in great shape.



MG-235	RaggTopp vinyl/fabric top cleaner.....	19.99
MG-236	RaggTopp vinyl top protectant.....	19.99
MG-237	RaggTopp fabric top protectant.....	24.99
MG-233	RaggTopp vinyl top cleaner & protectant kit.....	36.99
MG-234	RaggTopp fabric top cleaner & protectant kit.....	39.99



### Convertible Top & Frame Restoration Kit

Return your Corvette's soft top to original condition. Zip's convertible top restoration kit uses correct, OE-style hardware and includes a new top, stainless rear window trim tips, a frame hardware rebuild kit, deluxe pads and straps, tack strip material, weatherstrip and related hardware.

CT-106	56-58	Soft top restoration kit.....	799.99
CT-106D	56-58	Soft top restoration kit w/dated window.....	899.99
CT-107	59	Soft top restoration kit.....	799.99
CT-107D	59	Soft top restoration kit w/dated window.....	899.99
CT-115	60	Soft top restoration kit.....	849.99
CT-115D	60	Soft top restoration kit w/dated window.....	949.99
CT-108	61-62	Soft top restoration kit.....	849.99
CT-108D	61-62	Soft top restoration kit w/dated window.....	949.99

### Convertible Top Installation

CT-295	53-55	Convertible top pads (2).....	59.99
CT-79	56-60	Convertible top pads (2).....	64.99
CT-215	61-62	Convertible top pads (2).....	64.99
CT-241	56-62	Convertible top pad hardware kit (60 pcs).....	12.99
ZCT-54A	56-60	Tack strip material, replacement vinyl (car set).....	29.99
ZCT-54	61-62	Tack strip material, replacement vinyl (car set).....	22.99
CT-264	56-60	Tack strip material, original fiberboard (car set).....	57.99
CT-265	61-62	Tack strip material, original fiberboard (car set).....	52.99



### Convertible Top Hold-Up & Rear Window Straps

CT-296	56-57	Rear bow hold-up snap straps, tan (2).....	18.99
CT-274	56-62	Rear bow hold-up snap straps, black (2).....	18.99
SF-447	56-62	Rear bow hold-up snap strap hardware (8 pcs).....	7.99
CT-297	53-55	Rear window straps, black (2).....	27.99
CT-298	54-55	Rear window straps, tan (2).....	29.99
CT-299	56-57	Rear window straps, tan (2).....	19.99
CT-45B	56-62	Rear window straps, black (2).....	18.99
CT-380	61-62	Rear window straps lower retainers w/screws (car set).....	49.99



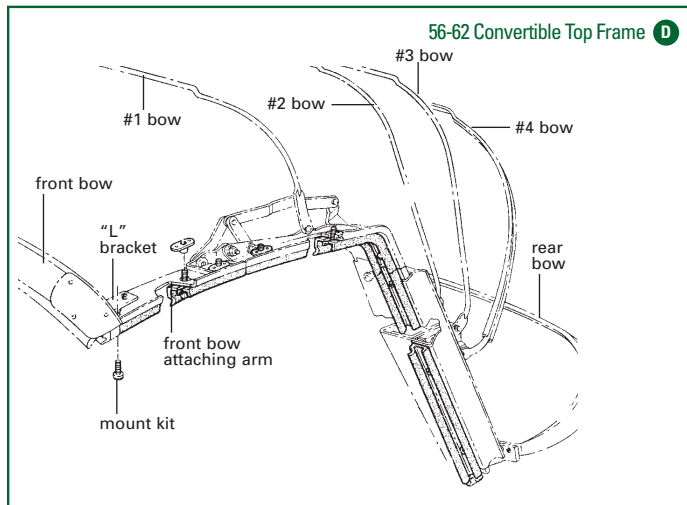


## Convertible Top Frame

CT-323	53-55	Frame, assembled.....	2749.99
CT-207	56-60	Frame, assembled.....	2449.99
CT-208	61-62	Frame, assembled.....	2449.99
CT-405	56-62	Frame mount hardware (32 pcs) (E).....	8.99

## Convertible Top Frame Repair

CT-369	56-58	Front bow.....	679.99
CT-300	59-62	Front bow (D).....	679.99
CT-301	56-58	Front bow attaching arms (LH or RH) (D).....	199.99
CT-302	59-62	Front bow attaching arms (LH or RH) (D).....	199.99
CT-303	59-62	Front bow to arms "L" brackets (2) (D).....	59.99
BL-538	56-58	Front bow to arm screw kit (6 pcs).....	7.99
SF-701	59-62	Front bow to arm mount kit (6 pcs) (D).....	7.99
CT-305	56-62	Soft top #1 bow (D).....	219.99
CT-306	56-62	Soft top #2 bow (D).....	219.99
CT-307	56-62	Soft top #3 bow (D).....	219.99
CT-308	56-62	Soft top #4 bow (D).....	349.99
CT-61	56-62	Side rail pivot screws (8 per car).....	ea 3.99
CT-53	56-60	Rear bow, soft top frame (D).....	389.99
CT-253	61-62	Rear bow, soft top frame (D).....	389.99
CT-256	56-62	Rear bow end acorn nut (2 per car).....	ea 2.99
CT-250	56-60	Rear bow weld nuts (6 per car).....	ea 2.99



See page 116 for soft top weatherstrip; see page 58 for deck lid protectors.

## Front Latch & Guide Pins

CT-17	56-62	Front guide pins (2 per car).....	ea 7.99
CT-88	56-62	Front latch, short handle (LH or RH).....	130.99
CT-29	56-62	Front latch adjuster plates w/screws (car set).....	44.99
SF-393	56-62	Front latch screws w/washers (4).....	6.99



## Miscellaneous Convertible Top

MF-411	53-56E	Convertible top rear window warning tag.....	4.49
MF-279	56L-62	Convertible top rear window warning tag.....	4.49
CT-59	56-62	Convertible top finish trim tips, "spearhead" w/screws.....	14.99
CT-286	53-57	Convertible top to gas tank protector felt (tan).....	79.99
CT-86	53-62	Convertible top to gas tank protector felt (black).....	49.99

Left-hand ("LH") = driver's side; right-hand ("RH") = passenger side

## Convertible Top Frame Hardware Kit

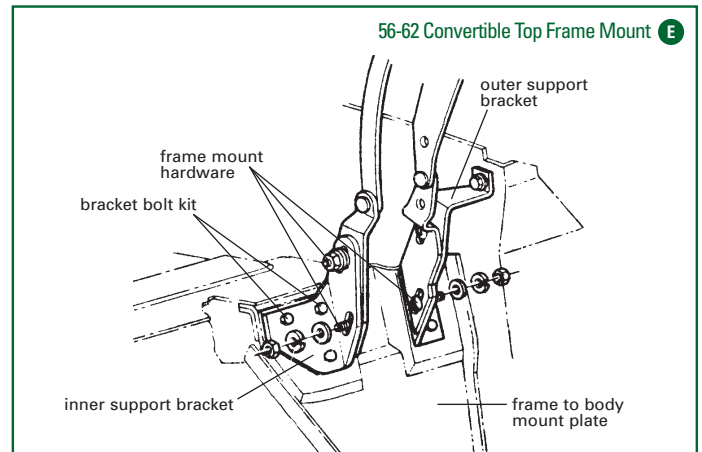
All hardware needed to rebuild convertible top frame, including new pivot bolts, bushings and screws. Car set.

CT-367	56-58	Frame hardware kit.....	144.99
CT-111	59-60	Frame hardware kit.....	144.99
CT-112	61-62	Frame hardware kit.....	144.99



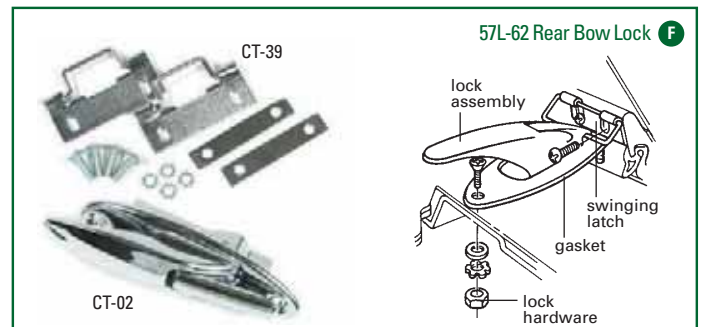
## Convertible Top Frame Mounting

CT-248	56-62	Convertible top bracket bolt kit, includes (10) "TR" headmark bolts & hardware for mounting top frame brackets (E).....	14.99
CT-239	56-62	Frame to body mount plates (2) (E).....	219.99
CT-238	56-62	Frame inner support brackets (2) (E).....	119.99
CT-240	56-60	Frame outer support brackets (2) (E).....	119.99
CT-44	61-62	Frame outer support brackets (2) (E).....	119.99



## Rear Bow Latches & Locks

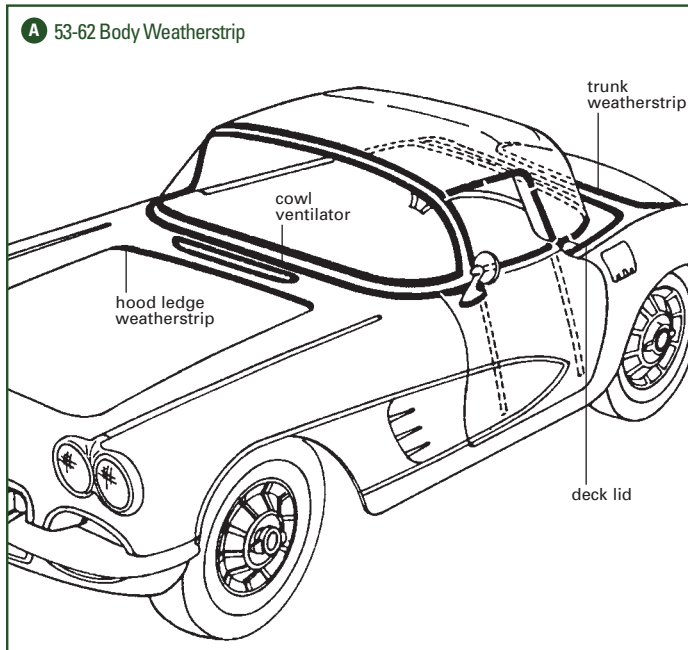
CT-39	56-60	Rear bow swinging latches w/plates (car set) (F).....	109.99
CT-40	61-62	Rear bow swinging latches w/plates (car set) (F).....	109.99
SF-446	56-62	Rear bow swinging latch screws & "T" nuts (8 pcs).....	5.59
CT-97	56-57E	Rear bow lock assembly w/studs (F).....	ea Call
CT-389	57L-62	Rear bow lock assembly w/holes (F).....	ea 123.99
ZCT-70	56-62	Rear bow lock gaskets (2) (F).....	4.99
ZSF-445	57L-62	Rear bow lock hardware (16 pcs) (F).....	5.99



# Weatherstrip

## Body Weatherstrip

ZWS-106	53-62	Cowl ventilator (A) .....	10.99
WS-145	53-58	Deck lid (A) .....	14.99
WS-4598	59-60	Deck lid, w/correct ribs .....	16.99
WS-787	61-62	Deck lid, w/molded ends & ribs (A) .....	51.99
WS-129	53-57	Hood ledge weatherstrip (A) .....	10.99
WS-235	58-62	Hood ledge weatherstrip (A) .....	10.99
M-2533	59-60	Hood air dam, mounts to front of hood, seals hood to radiator when closed .....	29.99
WS-148	53-58	Trunk lid weatherstrip (A) .....	19.99
WS-4597	59-62	Trunk lid weatherstrip w/correct ribs .....	25.99



## Adhesives & Cleaners

3M adhesive cleaner quickly dissolves weatherstrip adhesive, wax, grease, tar and more. Black or yellow adhesive (GM used yellow originally) bonds all types of weatherstrip to painted and unpainted metal. Silicone conditioner restores weatherstrip to "new black" look – and protects fresh weatherstrip against dry rot and cracking.



WS-08008	3M Adhesive, 5 oz. tube, black .....	11.99
WS-08001	3M Adhesive, 5 oz. tube, yellow .....	10.99
WS-4483	3M Adhesive cleaner, 15oz aerosol .....	18.99
WS-4605	Weatherstrip silicone conditioner .....	11.99

## Windshield Weatherstrip Package

Zip has assembled into a single package all the weatherstrip needed to complete the installation of your windshield. Includes glass to frame channel weatherstrip, frame to body weatherstrip, frame end seals and frame filler strip as required.

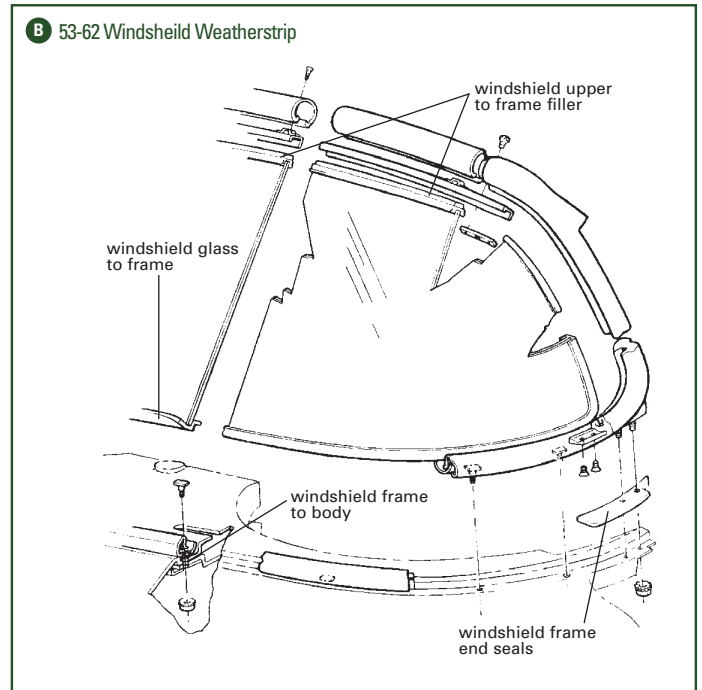
WS-4569	53-55	Windshield weatherstrip kit .....	69.99
WS-4570	56-62	Windshield weatherstrip kit .....	64.99



## Body Weatherstrip Kit

Includes all weatherstrips attached to body: cowl ventilator, hood ledge, door mains, door auxiliary, deck lid and trunk. Deck lid and trunk weatherstrips are correct design with molded ends and ribs as original. Deluxe kits include windshield frame to body, windshield frame end seals and weatherstrip mount hardware including door post retainers to complete installation. Made in USA.

WS-4460	56-57	Body weatherstrip kit (8 pcs) .....	149.99
WS-4758	56-57	Deluxe body weatherstrip kit (8 pcs) .....	189.99
WS-4584	58	Body weatherstrip kit (8 pcs) .....	149.99
WS-4759	58	Deluxe body weatherstrip kit (8 pcs) .....	189.99
WS-4583	59E	Body weatherstrip kit (8 pcs) .....	159.99
WS-4760	59E	Deluxe body weatherstrip kit (8 pcs) .....	239.99
WS-4603	59L-60	Body weatherstrip kit (8 pcs) .....	179.99
WS-4761	59L-60	Deluxe body weatherstrip kit (8 pcs) .....	239.99
WS-4585	61-62	Body weatherstrip kit (8 pcs) .....	219.99
WS-4762	61-62E	Deluxe body weatherstrip kit (8 pcs) .....	289.99
WS-4763	62L	Deluxe body weatherstrip kit (8 pcs) .....	289.99



## Windshield Weatherstrip

WS-4567	53-55	Windshield frame to body .....	15.99
WS-150	56-62	Windshield frame to body (B) .....	15.99
WS-4568	53-55	Windshield frame end seals (2) .....	5.99
ZWS-151	56-62	Windshield frame end seals (6) (B) .....	9.99
WS-4566	53-55	Windshield glass to frame .....	54.99
WS-152	56-62	Windshield glass to frame (B) .....	34.99
WS-4497	56-62	Windshield upper to frame filler (B) .....	6.99



## Door Weatherstrip

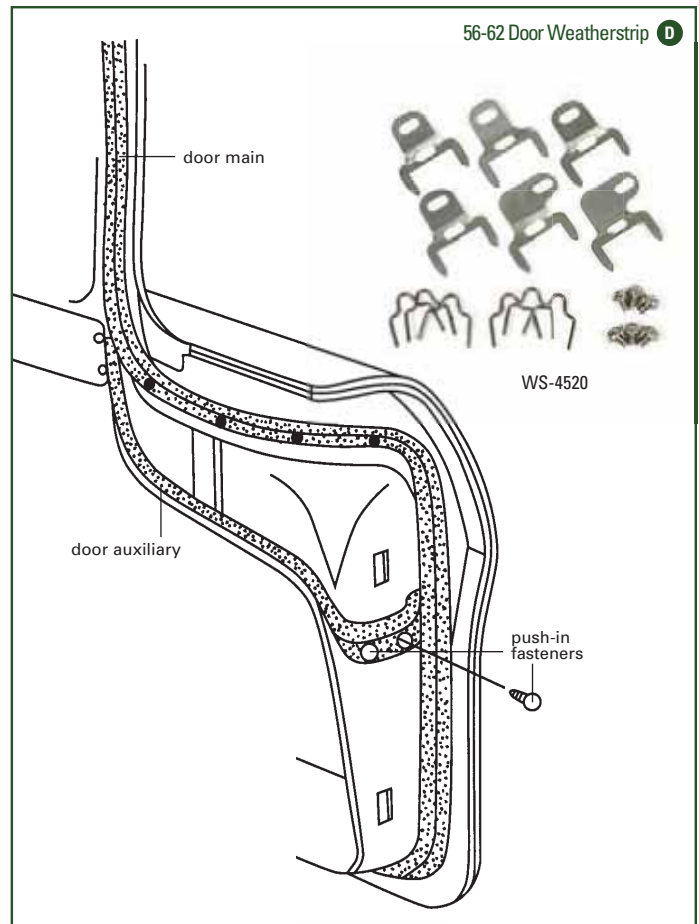
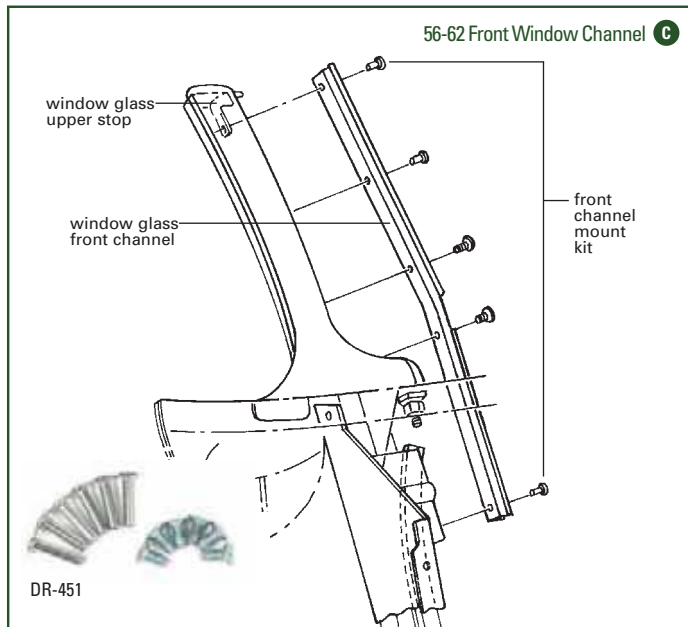
WS-107	56-59E	Door auxiliary (LH or RH) (D)	18.99
WS-213	59L-62	Door auxiliary (LH or RH) (D)	19.99
<i>Note: '59 before S/N 6300 use WS-107 door auxiliary.</i>			
WS-200	56-62	Door auxiliary push-in fasteners (4) (D)	4.99
WS-4565	53-55	Door main (LH or RH) (D)	12.99
WS-4564	53-55	Drip rails (2)	39.99
WS-110	56-58	Door main (LH or RH)	34.99
WS-217	59-60	Door main w/push-in clips (LH or RH)	42.99
WS-310	61-62	Door main w/push-in clips (LH or RH)	52.99
WS-200	56-58	Door main push-in fasteners (4)	4.99

*Note: '56-58 door main weatherstrips use 18 push-in fasteners per car.*

WS-4518	59-60	Door main weatherstrip mount hole retainers (54)	13.99
WS-4517	61-62	Door main weatherstrip mount hole retainers (40)	13.99
WS-4519	59-60	Door post weatherstrip retainers (22 pcs)	39.99
WS-4520	61-62E	Door post weatherstrip retainers (18 pcs)	34.99
WS-4521	62L	Door post weatherstrip retainers (24 pcs)	39.99
SF-544	56-62	Door post weatherstrip retainer screws (6 pcs)	4.49

## Window Channel Liners & Seals

WS-4481	56-62	Door window seals, correct (4)	109.99
ZSF-475	56-62	Door window seal staple kit (25)	5.99
WS-112B	56-58	Window channel glass upper stops (2) (C)	39.99
WS-275	56-62	Window channel liners, front, notched & punched (C)	52.99
DR-451	56-62	Window channel liner mount kit (12 pcs) (C)	6.69
ZWS-113	56-62	Window channel liner, rear	ea 5.99
DR-381	56-62	Window channel lower seals, mounts in glass setting channel (2)	29.99
WS-4535	56-62	Deluxe window channel & seal kit, includes front window run, rear liners, "large bead" window seals & mounting hardware (car set)	169.99



WS-4517



WS-200

## Body Seal Kit

Includes all seals commonly replaced after repaint: headlamps to body, wiper spacers and washer nozzles, windshield end seals, mirror, door handles and door lock cylinders, courtesy light switches, taillight bodies and lenses, park lamp bodies and lenses, license lens, front and rear emblems and deck lid locks. Die cut from correct materials.

ZWS-4414	56-57	Body seal kit (31 pcs)	34.99
ZWS-4415	58-60	Body seal kit (33 pcs)	34.99
ZWS-4416	61-62	Body seal kit (33 pcs)	34.99



WS-4535



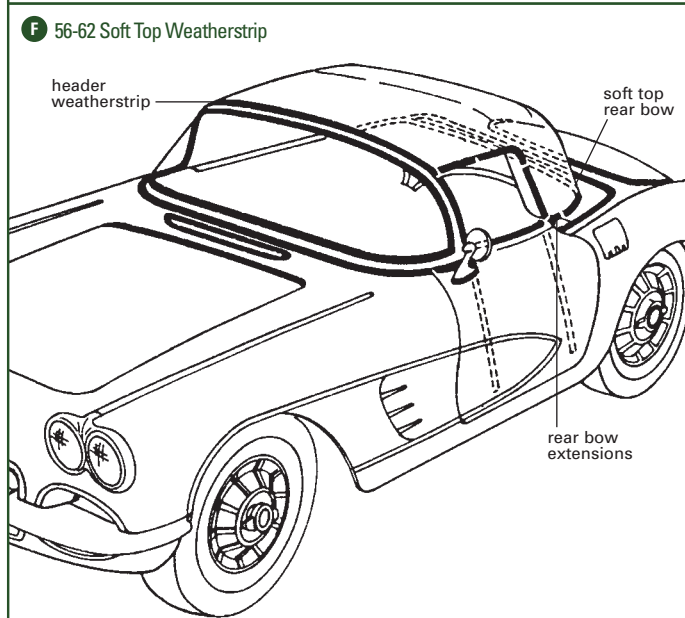
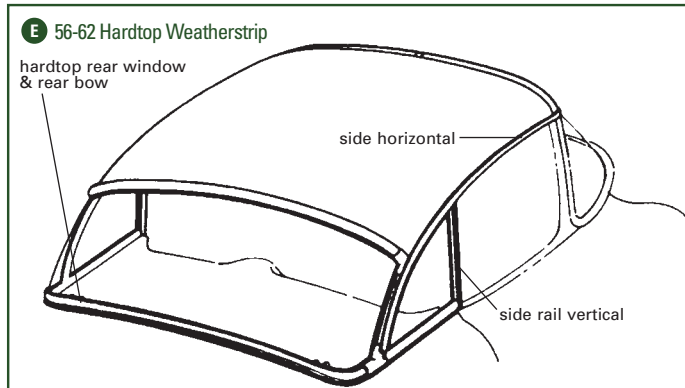
ZWS-4415



## Weatherstrip continued

### Hardtop Weatherstrip

WS-123	56-62	Hardtop header weatherstrip .....	19.99
WS-4580	56-62	Hardtop header weatherstrip retainer clips & rivets (18 pcs) ..	37.99
WS-4476	56-62	Hardtop side horizontal (LH or RH) (E) .....	69.99
WS-124	56-62	Hardtop side rail vertical (LH or RH) (E) .....	34.99
WS-125	56-60	Hardtop rear window & rear bow (E) .....	229.99
WS-4602	61-62	Hardtop rear window & rear bow (E) .....	249.99
WS-200	56-62	Hardtop rear bow weatherstrip push pins (4) .....	4.99



### Hardtop Weatherstrip Kit

Includes front header, side horizontal, side vertical and correct rear window/rear bow weatherstrip. 56-60 kit includes rear bow without molded "hump"; 61-62 rear bow includes molded "hump" for center deck lid ridge.

WS-4479	56-60	Hardtop weatherstrip kit (6 pcs) .....	439.99
WS-4606	61-62	Hardtop weatherstrip kit (6 pcs) .....	459.99

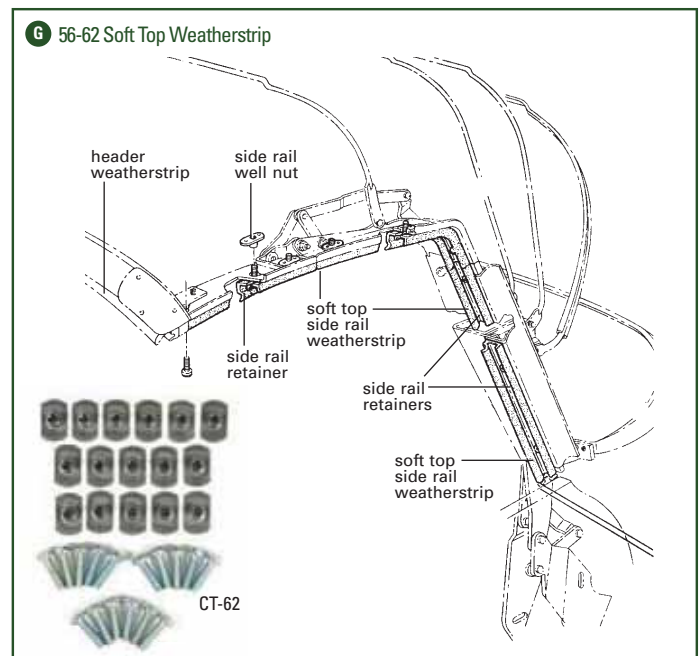


#### RUBBER WEATHERSTRIP IS NOT ALL THE SAME!

Because fit, feel, and formulation of rubber weatherstrip can vary greatly among manufacturers, know that Zip offers only the absolute highest quality pieces made. Settle for nothing less than the best!

### Soft Top Weatherstrip

WS-4691	53-55	Soft top header corner weatherstrips (2) .....	32.99
WS-137	56-62	Soft top header weatherstrip (F)(G) .....	22.99
SF-545	56-62	Soft top header weatherstrip screw & T-nut set (24 pcs) .....	11.99
CT-368	56-58	Soft top header retainer (2-piece) .....	29.99
CT-76	59-62	Soft top header retainer (1-piece) .....	29.99
ZSF-444	56-62	Soft top header retainer screws (12 pcs) .....	4.99
WS-138	56-62	Soft top header end wedges (2) .....	16.99
WS-139	56-62	Soft top side rail weatherstrips (6 pcs) (G) .....	96.99
WS-140	56-62	Soft top side rail retainers (6 pcs) (G) .....	22.99
CT-62	56-62	Soft top side rail well nuts w/screws (32 pcs) (G) .....	18.99
SF-546	56-60	Soft top side rail & extension screws (26 pcs) .....	6.99
SF-547	61-62	Soft top side rail & extension screws (26 pcs) .....	6.99
WS-157	54-57	Soft top rear bow, beige mohair .....	44.99
WS-158	53-58	Soft top rear bow, black mohair .....	44.99
WS-250	59-60	Soft top rear bow (F) .....	22.99
WS-346	61-62	Soft top rear bow (F) .....	15.99
CT-216	61-62	Soft top rear bow hold-in cord .....	5.99
WS-141	56-60	Soft top rear bow extensions (LH or RH) (F) .....	24.99
WS-344	61-62	Soft top rear bow extensions (LH or RH) (F) .....	27.99



### Soft Top Weatherstrip Kit

Includes front header, end wedges, 6-piece side rail, rear bow extensions and rear bow (59-62 only). 56-58 rear bow weatherstrips are not included in basic weatherstrip kit. Tan and black mohair rear bows available in Soft Top weatherstrip section. Deluxe kit includes mount hardware. Made in USA.

WS-4431	56-58	Soft top weatherstrip kit (11 pcs) .....	169.99
WS-4764	56-57E	Deluxe soft top weatherstrip kit, Tan Mohair (12 pcs) .....	229.99
WS-4765	57L-58	Deluxe soft top weatherstrip kit, Black Mohair (12 pcs) .....	229.99
WS-4410	59-60	Soft top weatherstrip kit (12 pcs) .....	189.99
WS-4766	59-60	Deluxe soft top weatherstrip kit (12 pcs) .....	219.99
WS-4411	61-62	Soft top weatherstrip kit (12 pcs) .....	189.99
WS-4767	61-62	Deluxe soft top weatherstrip kit (12 pcs) .....	219.99



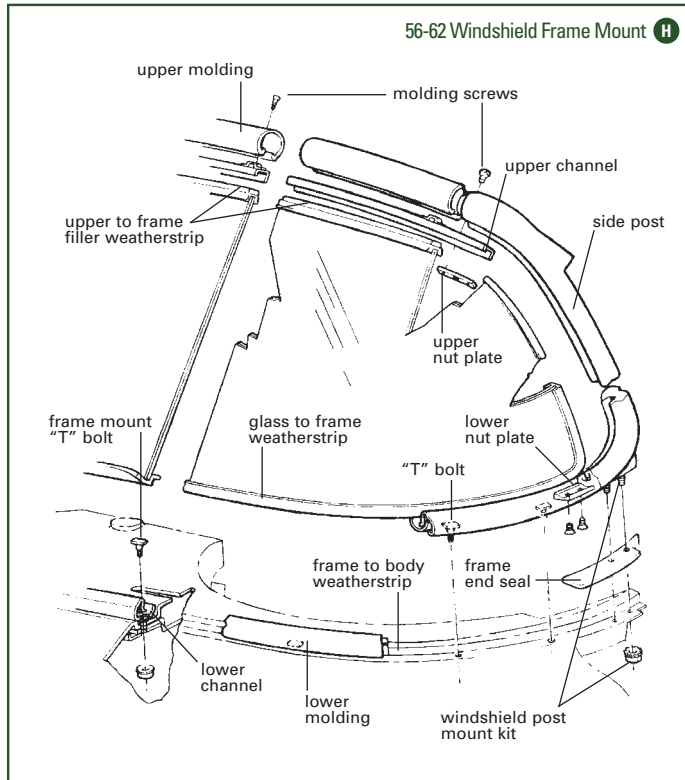
Left-hand ("LH") = driver's side; right-hand ("RH") = passenger side

## Windshield & Body Glass

Available undated or with correct date coding and logo as original. Manufactured to OE specifications for correct thickness and size. Ships factory direct. Specify year and VIN number for dated. Clear or green tint shaded. No Discount.

GL-350	56-62	Door glass, dated (LH or RH).....	119.99
GL-346	56-62	Door glass, undated.....	ea 79.99
GL-349	56-62	Door glass w/assembled frame, dated (LH or RH).....	299.99
GL-348	56-62	Door glass w/assembled frame, undated.....	ea 259.99
GL-314	53-55	Windshield.....	truck 449.99
GL-313	53-55	Windshield (undated).....	truck 299.99
GL-100	56-62	Windshield, clear.....	truck 399.99
GL-311	56-62	Windshield, clear (undated).....	truck 299.99
GL-312	56-62	Windshield, tinted (undated).....	truck 299.99

See page 63 for door glass mounting components



## Windshield Frame & Glass Assembly

Fully assembled '56-62 frame and windshield. Undated glass with new reproduction upper and lower channels, upper and lower stainless moldings, chrome plated side posts and mounting hardware. Green tint only. Ships truck freight collect. No Discount.

ET-535	56-61	Windshield assembly, w/sunvisor holes.....	truck 3499.99
ET-536	56-61	Windshield assembly, w/o sunvisor holes.....	truck 3499.99
ET-537	62	Windshield assembly.....	truck 3499.99

## Windshield Mounting

ET-482	56-61	Windshield lower channel (H).....	329.99
ET-523	62	Windshield lower channel (H).....	329.99
ET-481	56-62	Windshield upper channel (H).....	289.99
ET-484	56-62	Windshield lower stainless molding (H).....	299.99
ET-524	56-58	Windshield upper stainless molding, w/o sunvisor (H).....	329.99
ET-485	59-62	Windshield upper stainless molding (H).....	329.99
ZSF-450	56-62	Windshield upper molding to channel screws (4 pcs) (H).....	1.99
ET-375	56-62	Windshield lower molding channel nut plates w/screws (H).....	22.99
ET-376	56-62	Windshield upper molding channel nut plates (2) (H).....	25.99
SF-682	56-62	Windshield upper channel to nut plate screws (4), 10-32 x 1" screws w/external washers.....	6.99
BL-455	53-62	Windshield lower mount "T" bolts w/washers & nuts (32 pcs) (H).....	26.99
ET-525	56-62	Windshield side post, 60-62 design (LH or RH) (H).....	549.99
BL-456	56-62	Windshield side post mount kit, includes new studs w/nuts & washers (20 pcs) (H).....	6.99



## Windshield Date Codes

Original '53-62 Corvette glass was manufactured by LOF and features an etched Safety "LOF" Plate logo. Each logo includes a specification rating (AS-1 or AS-2 depending on glass placement) and the production date in a 2-letter designation. The first letter designates the month of production and the second letter designates the year of production. Glass was produced approximately four (4) months in advance of the car's final build date. Example: CT = November 1957

## Weatherstrip Package

Zip's kit includes all weatherstrip needed when installing a new windshield: glass to frame weatherstrip, windshield frame to body, frame end seals, and frame filler strip as required.



WS-4569	53-55	Windshield weatherstrip kit.....	69.99
WS-4570	56-62	Windshield weatherstrip kit.....	64.99

## Windshield Weatherstrip

WS-4567	53-55	Windshield frame to body.....	15.99
WS-150	56-62	Windshield frame to body (H).....	15.99
WS-4568	53-55	Windshield frame end seals (2).....	5.99
ZWS-151	56-62	Windshield frame end seals (6) (H).....	9.99
WS-4566	53-55	Windshield glass to frame.....	54.99
WS-152	56-62	Windshield glass to frame (H).....	34.99
WS-4497	56-62	Windshield upper to frame filler (H).....	6.99



## Garage & Protection



### Max-Tech Cover

4-layer protection that's easy on the wallet. Not waterproof, but Max-Tech fabric does breathe so trapped water can evaporate. Gray only. Includes mirror pockets, cable with lock and storage bag.

CC-61 53-62 Max-Tech cover ..... 94.99

### Premium Flannel Cover

Excellent dust barrier for garage-kept Corvettes. Moisture resistant poly/cotton outer layer is fully lined with soft flannel to pamper the finest paint. Includes grommets. Tan only. Storage bag included.

C18TF 53-62 Flannel cover ..... 159.99

C-18TF



### Car Cover Security

Plastic coated steel cable loops through grommets to secure cover against wind gusts and theft. Includes keyed padlock.



CCL-01 Cover lock & cable ..... 10.99

### Black Onyx

Form fitted Black Onyx cover protects your Corvette from dust and other indoor hazards. Elasticized, hemmed seams in the front and back ensures a snug fit – showcasing those Corvette lines! Breathable materials avoid moisture and allow paint to fume. Includes storage bag.

CC-184 56-62 Black Onyx indoor car cover ..... 149.99



### Coverking Windshield Sun Shield

Custom cut and patterned to fit Shark Corvettes. Roll-up design stores easily. 3-layer design insulates against heat, reduces interior temperature and reflects harmful UV-rays protecting dash and interior from fading and damage.



X-4056 56-62 Coverking windshield Sun Shield ..... 39.99

### Flag Caddie

Show your patriotism at the next cruise-in, car show or parade. Mounts to rear deck panel through hardtop mount inserts. Includes LH and RH flag mount and flags. 16" x 9"

X-3706 56-62 Flag Caddie ..... 39.99  
X-1255 Replacement flags, pair ..... 14.99



### Ferguson Design Covers

Designed by Corvette enthusiast. Manufactured of high-grade, fire retardant marine grade materials. Cockpit cover provides sun protection when the hardtop or soft top is down. Soft Top Hat Cover protects soft top and interior when the soft top is in up position.

X-3963 53-55 Ferguson cockpit cover ..... 219.99  
X-3964 56-60 Ferguson cockpit cover ..... 199.99  
X-3965 61-62 Ferguson cockpit cover ..... 199.99  
X-3971 56-62 Ferguson soft top hat cover ..... 209.99



X-3984



X-3964

### Ferguson Fender Apron

Same materials as cockpit cover – designed to protect fender top and nose panel from show judging or when providing heavy mechanical work in the engine compartment. Cheap insurance against the costly repair of a scratched fender.

X-3982 53-57 Ferguson fender apron ..... 259.99  
X-3983 58-62 Ferguson fender apron ..... 259.99

### Fender Gripper™ Fender Mat

No-slip cushioned pad protects paint from belt buckles and dropped tools. Washable and resistant to oil, grease, coolant, thinner, brake fluid and similar. Black with screen printed '53-62 logo. 22" x 34". GM licensed.

X-2209 Fender Gripper mat ..... 28.99



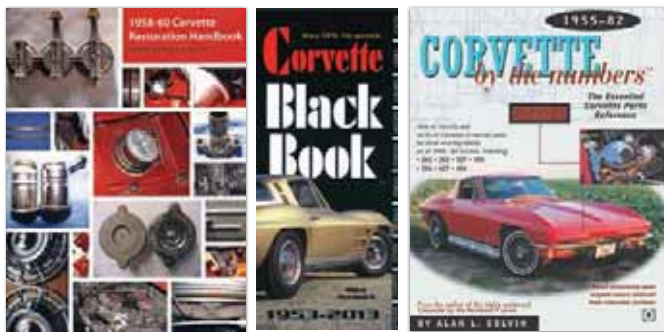
### License Plate Frame

Chrome plated brass license frame with engraved C1 Corvette script and emblem. 2-hole design. Includes chrome plate screw covers.

X-2071 53-62 C1 license plate frame ..... 34.99







## Corvette Reference

### 1958-60 Corvette Restoration Handbook

If you're considering restoring or buying a '58-60 Corvette, don't do either before reading this book! Written by NCRS Master Level® judges Bob Baird and Tom Howey, content includes hundreds of detailed color photos from original factory parts and top-judged cars. Especially valuable if pursuing the NCRS Performance Verification Test. 2nd Edition.

B-650	1958-60 Corvette Restoration Handbook .....	79.99
B-651	1958-60 Corvette Restoration Handbook CD .....	39.99

### Corvette Black Book Deluxe Edition

A pocket-size fact book brimming with valuable production figures, year-specific facts, RPO descriptions, exterior paint codes, interior choices and more. An absolute must to have along when checking out that "dream" Corvette for purchase! NEW EDITION.

B-400	Corvette Black Book Deluxe Edition .....	19.99
-------	--	-------

### Corvette By The Numbers™

Incorporating materials from GM archives, author Alan Colvin has compiled the most authoritative reference available for finding, decoding and verifying the correct part and casting numbers of every engine and drivetrain component for '55-82 Corvettes. Loaded with photographs, blueprints, technical bulletins and build sheets. Also includes information on Delco radios, glass codes and yearly model changes.

B-517	Corvette By The Numbers.....	69.99
-------	------------------------------	-------

### Showroom Brochure

Quality reprints of the original showroom brochures Chevrolet used to sell the Corvette. A great addition to any enthusiast's library – every collector should have one! '53-74 available. Specify year of car when ordering.

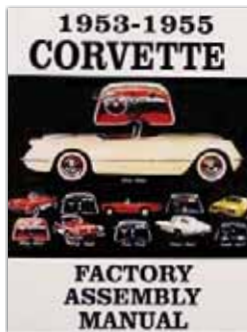
B-106	Showroom brochure.....	11.99
-------	------------------------	-------



### Owners Manual

Reprint of the original owners manual available with every new Corvette. Contains specific operating and maintenance instructions for your Corvette. Specify year when ordering.

B-102	56-62	Owners manual .....	13.99
B-441	58-62	Owners manual envelope .....	8.49



### Assembly Manual

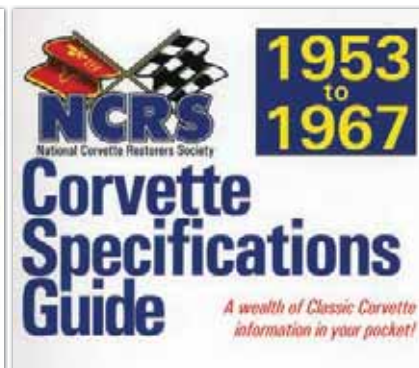
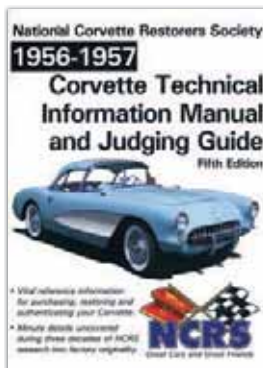
100%-accurate reprint of original build instructions used on the Corvette assembly line. Manual is broken into major groups (body, doors, engine, etc.) and features detailed illustrations showing how components were assembled. Available on CD or perfect bound. Specify year.

B-630	53-57	Assembly manual CD .....	29.99
B-631	58-62	Assembly manual CD .....	29.99
B-101	53-62	Assembly manual, specify year .....	23.99

### Service Manual

Reprints of the original shop manuals available over the counter from Chevrolet dealers. Covers basic operating systems and how to disassemble and rebuild many components. Includes wiring diagrams. Great reference for the do-it-yourself hobbyist! Available on CD and as a bound printed book.

B-608	53-62	Service manual CD.....	29.99
B-104	53-62	Service manual.....	24.99
B-740	56-60	Corvette Service Operations manual .....	13.99
B-741	57	Servicing Corvette Engines and RPO Equipment manual .....	13.99



### NCRS Judging Manual

If you're preparing for NCRS-level judging, or just want to know how your Corvette would have looked rolling off the assembly line, this is the one to have on your workbench. Thousands of hours of research are behind the breakdown of correct part numbers, casting numbers, finishes and more. All-new format that includes photography, production codes and service bulletins. No Discount.

B-692	53-55	NCRS Judging Manual.....	64.99
B-633	56-57	NCRS Judging Manual.....	64.99
B-693	58-60	NCRS Judging Manual.....	89.99
B-694	61-62	NCRS Judging Manual.....	64.99

### NCRS Pocket Spec Guide

Quick-reference encyclopedia of basic Corvette information to help you verify the originality of vintage Corvettes. Subjects covered include Chevy engine, transmission and axle identification codes, body and trim combinations, production totals, build dates, original prices and more.

B-453	NCRS Pocket Spec Guide, 1953-67 .....	19.99
B-454	NCRS Pocket Spec Guide, 1968-82 .....	19.99

## POLICIES & SHIPPING - Zip Products

We're proud that orders placed by 3:00 p.m. EST ship that same day on in-stock items! Packages ship UPS Ground unless otherwise requested or unavailable due to location or size and weight of parts. Expected delivery is 1-6 business days within the continental USA. Please provide complete street address to ensure delivery. Saturdays, Sundays and holidays are not included in UPS delivery times.

**SHIPPING CHARGES** - Shipping charges are most precisely calculated by shipment type, order weight and destination. Customers will be notified of shipping charges prior to order shipment. Please call or go online for shipping charge quotes if desired.

**UPS AIR SERVICES**- UPS provides all guaranteed Air services for Zip Products unless specified by the customer. Available services include Next Day Air, 2nd Day Air, and 3 Day Select. All charges are based on weight or dimensional weight (whichever is greater) and shipment destination. Saturday service is available on Next Day Air shipments only.

**TRUCK SERVICES**- Some parts in our catalog are too large to be shipped by UPS. These parts are noted in the catalog as "truck". Truck shipments are required to be prepaid for the total parts cost plus freight charges by check, money order or credit card. The customer is responsible for being at provided shipping address to accept parts.

**OTHER SHIPPING SERVICES**- Zip Products also uses the services of FedEx and the U.S. Postal Service. Orders must be paid by credit card, Pay Pal or prepaid check. All FedEx continental USA services are available. Packages sent through the Post Office are sent First Class Priority.

**ZIP INTERNATIONAL**- From single parts to everything needed for a complete restoration, Zip ships Corvette parts the world over. International orders are processed within 24 hours of receipt and delivered via UPS, Postal Service or your own freight forwarder. Please specify shipping method preferred. If not specified, orders will be shipped by the best method as determined by Zip Products. Charges are based on actual weight or dimensional weight according to the size of the entire shipment, whichever is greater. Payment is accepted by credit card, Pay Pal or bank draft. Shipping charges do not include any customs or duty fees and may not include brokerage fees. Quotes will be provided for total cost of order, if required due to payment method.

- **Canada:** Orders must include full address with city and province. All orders are shipped UPS Ground or Air unless otherwise specified or UPS is unable to deliver to your location. To better serve our customers, Zip is recognized as a non-resident importer, a status that allows us to collect all duties, taxes and brokerage fees at the time your order is processed. This arrangement means you know the exact cost to have parts delivered to your door – no hidden costs for your shipments!
- **PUERTO RICO, HAWAII & ALASKA:** All Puerto Rico and Hawaii orders can be sent UPS Ground, Next Day Air, 2nd Day Air, or through the Post Office. Please specify shipping method preferred.
- **A.P.O., F.P.O.:** All orders going to these addresses must be sent by the Post Office.
- **VIRGIN ISLANDS, GUAM:** All orders going to these locations can be shipped via UPS Express or the Post Office. Please specify shipping method preferred.

**MAIL-IN ORDERS**- Customers placing orders by mail and paying by personal check, money order or certified funds can go online or call for shipping charge quote. Shipping charges are most precisely calculated by order weight and destination. Download order forms at [www.zip-corvette.com](http://www.zip-corvette.com).

**LIABILITY DISCLAIMER**- Zip Products is not responsible for any damage, injury, loss or any other charges, caused by delays or incurred in the replacement of any defective items. Zip's liability is limited to the replacement and the shipping cost of defective items only. Improper installation, damage or injury resulting from the use of items sold by Zip Products are the purchaser's responsibility. Due to changes in the Corvette industry, part numbers, specifications, prices and availability of parts can change. Consequently, there may be times when parts are discontinued or prices increased. Changes may also occasionally occur in our policies and terms. Call Zip during regular business hours for up-to-date information.

CHEVROLET, the Chevrolet emblem, CORVETTE, Corvette emblems, GM and AC-Delco are trademarks of General Motors Corporation.

©2021 Zip Products, Inc. All rights reserved. No part of this publication may be reproduced without the prior written consent of Zip Products. Content is based on information believed to be reliable, but cannot be guaranteed. Printed in the USA.

**"NO HASSLE" GUARANTEE**- Since 1977, Zip Products has supplied parts and accessories to Corvette enthusiasts the world over. Then as now, packed into every shipment is our unparalleled commitment to customer service. Here at Zip, we believe a happy customer is a repeat customer. If you're not completely satisfied with any product for any reason, we'll promptly refund or exchange any purchase within 30 days.

**LOW PRICE GUARANTEE**- Zip works hard to make certain our prices are competitive. That said, it's possible you may find "cheaper" merchandise elsewhere. If it is the same brand part or accessory offered for a lower price by another supplier, we'll match their published price. Price must appear in a current magazine advertisement, Web site or catalog to qualify. Don't sacrifice quality and customer service for the sake of a few dollars – call Zip!

**RETAIL DISCOUNTS**- Retail customers receive a 10% discount on each minimum purchase of \$850 on any combination of parts and/or accessories, excluding (ND) items. Zip's Restoration Club is designed for those involved in long term projects. With an initial purchase of \$2,000, you'll receive a 10% discount off the order, PLUS an additional 10% off every order you place for the next year. Call or visit online for more information.

**WHOLESALE ACCOUNTS**- Zip provides Corvette parts to more than 3000 wholesale accounts around the globe. Multi-line discount programs are designed for the installer or reseller. Contact a salesperson for specific details. Proof of business required.

**"NO DISCOUNT"** - An (ND) designation beside a part, group of parts or price indicates that "No Discount" is available on that part or group of parts.

**BACKORDERS**- Over 96% of orders ship complete; however, backorders do occasionally occur. Most ship within 10 business days. For longer delays, our policy is to ship orders up to 30 days old. Past 30 days we'll call for authorization first. If you wish to cancel a backorder, please notify Zip as soon as possible.

**ITEM SHORTAGES**- Inspect merchandise immediately upon receipt of order. Notify Zip of any shortages or discrepancies in your order within seven (7) days from shipment date. No claims allowed after seven (7) days.

**DAMAGED PARTS**- All parts shipped are insured for the amount of purchase. Should your order arrive damaged or missing merchandise, immediately notify the carrier (UPS, truck freight company, etc.) and Zip. Keep all shipping materials (box, packing, etc.) intact until an inspection can be made by the carrier.

**CORE REFUNDS**- Customers who have purchased a product sold on an exchange basis and had a core deposit applied must return the required rebuildable core within 30 days from the date of shipment. A copy of the original invoice must accompany the return. Failure to return cores within 30 days may result in a reduction or loss of the core deposit. Return freight for cores is the responsibility of the customer.

**RETURNS & EXCHANGES**- Zip includes a return form on the back of each invoice for your convenience. If you have questions or concerns regarding a return or exchange, call to speak to your Zip sales representative. Returns are eligible for one (1) year without a restocking fee. Return shipping is the responsibility of the customer. C.O.D. return packages are not accepted. The customer is responsible for returning parts in the same condition they were received, with proper packaging and insurance to cover the value of parts being returned. Canadian and international customers, call for authorization to return parts.

**SALES TAX**- Zip is required by state law to collect and remit sales tax on purchases made and shipped to a variety of states. These requirements are based on the specific regulation of the state. Tax is based on delivery destination and may include freight charges. More information about sales tax collection can be found at: <https://www.zip-corvette.com/tax.html>.

**IN-STORE SHOPPING**- Zip has thousands of parts and accessories available for immediate pick-up at our showroom counter. Call before you come and we'll have your order waiting. Showroom hours are 8:30 a.m. to 5:30 p.m. EST Monday-Friday and 10 to 3 Saturdays. When traveling in the Richmond, Virginia area, visit Zip Products in Mechanicsville. We're just east of downtown Richmond, and only a quick drive off interstates I-64, I-95 or I-295.

**Zip has over 25,000 part & accessories  
in stock and ready to ship!**

[www.zip-corvette.com](http://www.zip-corvette.com)



## EASY ORDERING

PLACE YOUR ORDER WITH OUR KNOWLEDGEABLE STAFF, ONLINE OR VIA FAX. ZIP ACCEPTS VISA, MASTERCARD, AMERICAN EXPRESS, DISCOVER, PAYPAL AND PERSONAL CHECKS.

## SATISFACTION GUARANTEED

IF YOU'RE NOT 100% SATISFIED WITH YOUR PURCHASE FOR ANY REASON, WE WILL PROMPTLY MAKE IT RIGHT. RETURNS ACCEPTED FOR ONE YEAR WITH NO RESTOCKING FEE.

## SAME DAY SHIPPING

SAME DAY SHIPPING ON ALL IN STOCK ITEMS FOR ORDERS PLACED BY 3 P.M. EST. OVER 25,000 ITEMS IN STOCK AND READY FOR SHIPMENT. NO RUSH FEES AT ZIP!

## BEST PRICE GUARANTEED

ZIP WORKS HARD TO MAKE CERTAIN OUR PRICES ARE COMPETITIVE – WE'LL MATCH ANY COMPETITOR'S PRICE ON THE SAME BRAND ITEM.

## ONLINE PROMOTIONS

SIGN-UP TO RECEIVE ZIP'S ONLINE NEWSLETTER AND GET UP TO DATE INFORMATION ON NEW PARTS, PROMOTIONAL DISCOUNTS AND CORVETTE TECHNICAL INFORMATION.



[www.zip-corvette.com](http://www.zip-corvette.com) • 1.800.962.9632

**PLACE YOUR ORDER BY 3P.M. EST & ENJOY SAME DAY SHIPPING ON OVER 25,000 STOCKED ITEMS!**





Zip Products  
8067 Fast Lane  
Mechanicsville VA 23111



Corvettes are all we do.

**OUR BUSINESS HOURS**

MONDAY-THURSDAY:  
8:30 A.M. – 8 P.M. EST  
FRIDAY 8:30 A.M. – 5:30 P.M.  
SATURDAY 10 A.M. – 3 P.M.



Visit our showroom to place an order or choose one of the following:  
**Catalog, Web, Phone, Mail or Fax Orders**

**WEB ORDERS**  
ORDER ONLINE THROUGH  
ZIP'S SECURE WEB SITE AT:  
**WWW.ZIP-CORVETTE.COM**

**CALL TOLL-FREE**  
**1-800-962-9632**  
OUTSIDE THE U.S. PLEASE  
CALL 804-746-2290

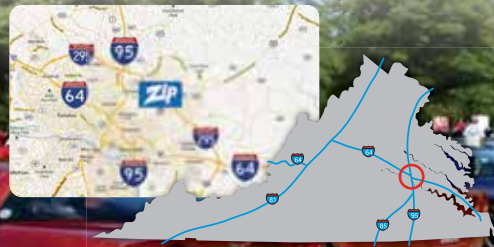
**VISIT OUR SHOWROOM**  
8067 FAST LANE  
MECHANICSVILLE, VA 23111

**FAX ORDERS**  
DOWNLOAD ORDER FORMS  
AT WWW.ZIP-CORVETTE.COM  
FAX ORDERS TO 804-730-7043

**Meet Zip Products!**

It has been said a company's true value is in its people – and never have those words been better illustrated than here at Zip. You'll find under our roof a staff boasting more than one hundred years of collective Corvette knowledge, with many having been with us for a decade or longer.

Impressive? Yes, but the real beneficiary is you: our customer. We're committed to providing the best customer service, best parts and best Corvette experience possible. Every day. See for yourself what "Corvettes are all we do" really means!



Established in 1977, Zip Corvette has proven to be an industry leader for both restoration and performance Corvette parts. See for yourself – we are real people, selling real parts, in real time. Visit [www.zip-corvette.com/about](http://www.zip-corvette.com/about)



©2021 ZIP PRODUCTS, INC. ALL RIGHTS RESERVED.     
ZIP HAS OVER 25,000 PARTS AND ACCESSORIES IN STOCK & READY TO SHIP!