

2007 PILOT - Center Console Removal/Installation

Special Tools Required

- KTC trim tool set SOJATP2014*

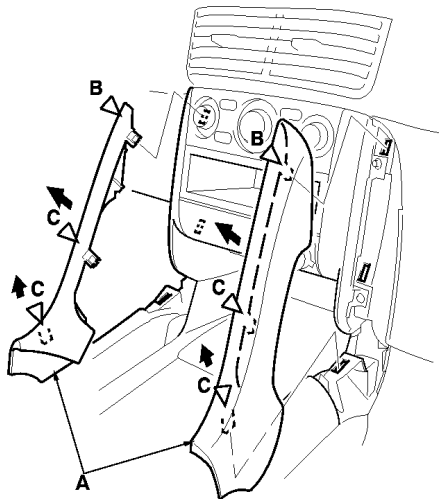
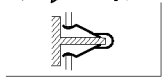
*Available through the American Honda Tool and Equipment Program; call 888-424-6857

NOTE:

- Use the appropriate tool from the KTC trim tool set to avoid damage when prying components.
 - Take care not to scratch the front seat, dashboard, and related parts.
1. Starting at the top, gently pull the center front covers (A) out to detach the clips (B), then pull the cover out to detach the remaining clips (C), and remove the covers from both sides.

Fastener Locations

B, C ▷ : Clip, 6



2. Remove the center lower cover (A).

-1 Remove the coin pocket (B).

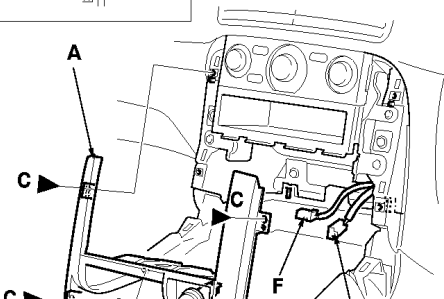
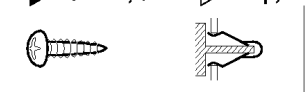
-2 Remove the screws (C).

-3 Pull the cover out to detach the clips (D).

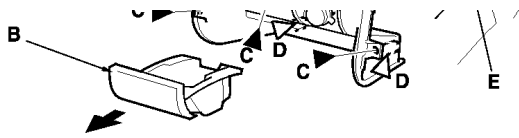
-4 Disconnect the console accessory power socket connector (E) and console light connector (F).

Fastener Locations

C ▶ : Screw, 5 D ▷ : Clip, 2



INTERACTIVE NETWORK



3. For some models: Remove the center lower cover (A) with the seat heater switches.

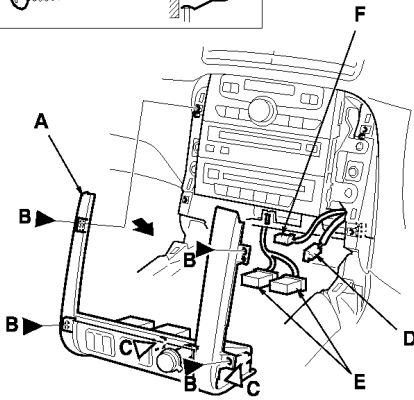
-1 Remove the screws (B).

-2 Pull the cover out to detach the clips (C).

-3 Disconnect the console accessory power socket connector (D), seat heater switch connectors (E), and console light connector (F).

Fastener Locations

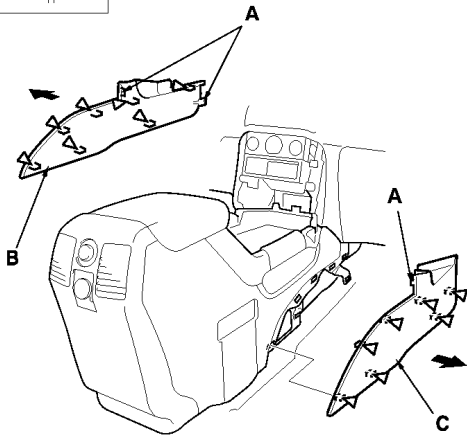
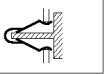
B ▶ : Screw, 4 C ▷ : Clip, 2



4. Detach the clips and release the hooks (A), then remove the driver's console side trim (B) and passenger's console side trim (C).

Fastener Locations

▷ : Clip, 14

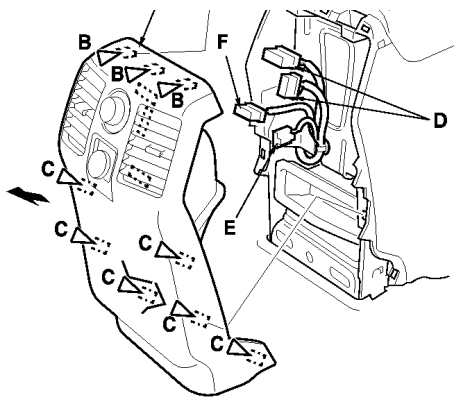


5. Starting at the top, gently pull out the console rear trim (A) to detach the clips (B), then pull out the trim to detach the remaining clips (C), and disconnect the rear heater-A/C passenger's control panel-unit connectors (D) and console accessory power socket connector (E). If equipped with rear entertainment system, disconnect the rear entertainment system jack connector (F).

Fastener Locations

B, C ▷ : Clip, 9





6. Remove the center console (A).

- 1 From both sides, remove the bolts (B) and screws (C).
- 2 Detach the harness clip (D).
- 3 Disconnect the console accessory power socket connector (E), and detach it.
- 4 Lift the console up, then remove it.

7. Install the center console in the reverse order of removal, and note these items:

- Check if the clips are damaged or stress-whitened, and if necessary, replace them with new ones.
- Make sure all the connectors are plugged in properly.
- Push the clips into place securely.

Fastener Locations

B ▶ : Bolt, 2 **C ▶ : Screw, 8**

