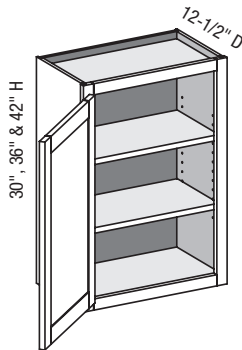


**W/CSW - Wall Cabinet**

| EXP | FL | FUE | SS | PFD | EXT | FT | SBR | LE | TSS | OS | NSH | WS | MI | DT | NB |
|-----|----|-----|----|-----|-----|----|-----|----|-----|----|-----|----|----|----|----|
| ✓   | ✓  | ✓   |    | ✓   | ✓   |    |     |    |     | ✓  | ✓   | ✓  | ✓  |    | ✓  |



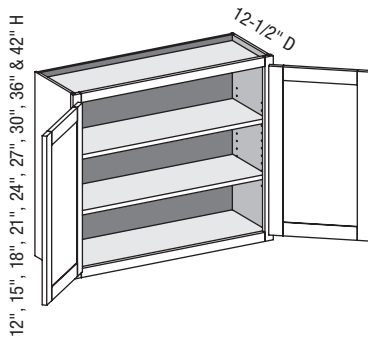
Custom Size Ranges  
Width: 9" – 24"  
Height: 12" – 72"  
Depth: 5-1/2" – 27"

- 12" – 18" high has no shelves.
- 18-1/16" – 24" high has one shelf.
- 24-1/16" – 36" high has two shelves.
- 36-1/16" – 48" high has three shelves.
- 48-1/16" – 60" high has four shelves.
- 60-1/16" – 72" high has five shelves.
- Specify single or butt doors on custom size cabinets 24" wide.

| 30" High | 36" High | 42" High |
|----------|----------|----------|
| W0930    | W0936    | W0942    |
| W1230    | W1236    | W1242    |
| W1530    | W1536    | W1542    |
| W1830    | W1836    | W1842    |
| W2130    | W2136    | W2142    |
| W2430    | W2436    | W2442    |

**W/CSW - Wall Cabinet w/Butt Doors**

| EXP | FL | FUE | SS | PFD | EXT | FT | SBR | LE | TSS | OS | NSH | WS | MI | DT | NB |
|-----|----|-----|----|-----|-----|----|-----|----|-----|----|-----|----|----|----|----|
| ✓   | ✓  | ✓   |    | ✓   | ✓   |    |     |    |     | ✓  | ✓   | ✓  | ✓  |    | ✓  |



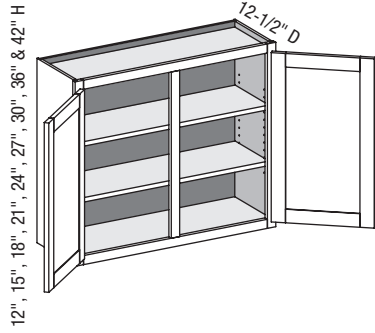
Custom Size Ranges  
Width: 24" – 36"  
Height: 12" – 72"  
Depth: 5-1/2" – 27"

- Single wide door option is available for lift up access applications. Hinges or hinge boring are not available.
- Blum AVENTOS HK lift systems available separately. See Section 10.
- 12" – 18" high has no shelves.
- 18-1/16" – 24" high has one shelf.
- 24-1/16" – 36" high has two shelves.
- 36-1/16" – 48" high has three shelves.
- 48-1/16" – 60" high has four shelves.
- 60-1/16" – 72" high has five shelves.
- Specify single or butt doors on custom size cabinets 24" wide.

| 12" High | 15" High | 18" High | 21" High | 24" High | 27" High | 30" High | 36" High | 42" High |
|----------|----------|----------|----------|----------|----------|----------|----------|----------|
| W3012BD  | W2715BD  | W2718BD  | W2421BD  | W2424BD  | W3027BD  | W2430BD  | W2436BD  | W2442BD  |
| W3312BD  | W3015BD  | W3018BD  | W2721BD  | W2724BD  | W3327BD  | W2730BD  | W2736BD  | W2742BD  |
| W3612BD  | W3315BD  | W3318BD  | W3021BD  | W3024BD  | W3627BD  | W3030BD  | W3036BD  | W3042BD  |
|          | W3615BD  | W3618BD  | W3321BD  | W3324BD  |          | W3330BD  | W3336BD  | W3342BD  |
|          |          |          | W3621BD  | W3624BD  |          | W3630BD  | W3636BD  | W3642BD  |

**Options Key:** EXP = Exposed End(s) FL = Flush End(s) FUE = Flush Unexposed End(s) SS = Shaped Side PFD = Prep for False Door  
EXT = Extended Stile(s) FT = Flush Toe SBR = Shaped Bottom Rail LE = Leg Extension TSS = Toe Space Side OS = Omit Shelving  
NSH = No Shelf Holes WS = Solid Wood Shelves MI = Matching Interior DT = Dust Top NB = Natural Finished Bottom

**W/CSWCS - Wall Cabinet w/Center Stile**



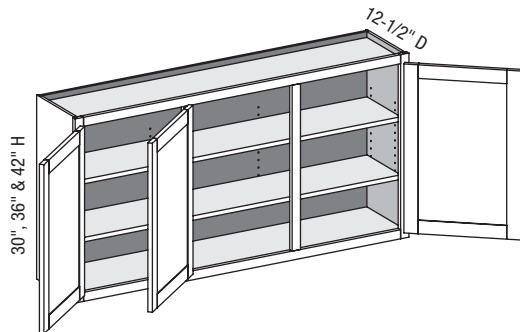
| EXP | FL | FUE | SS | PFD | EXT | FT | SBR | LE | TSS | OS | NSH | WS | MI | DT | NB |
|-----|----|-----|----|-----|-----|----|-----|----|-----|----|-----|----|----|----|----|
| ✓   | ✓  | ✓   |    | ✓   | ✓   |    |     |    |     | ✓  | ✓   | ✓  | ✓  |    | ✓  |

Custom Size Ranges  
 Width: 27" – 48"  
 Height: 12" – 72"  
 Depth: 5-1/2" – 27"

- 12" – 18" high has no shelves.
- 18-1/16" – 24" high has one shelf.
- 24-1/16" – 36" high has two shelves.
- 36-1/16" – 48" high has three shelves.
- 48-1/16" – 60" high has four shelves.
- 60-1/16" – 72" high has five shelves.

| 12" High | 15" High | 18" High | 21" High | 24" High | 27" High | 30" High | 36" High | 42" High |
|----------|----------|----------|----------|----------|----------|----------|----------|----------|
| W3012    | W3015    | W3018    | W3021    | W3024    | W3027    | W3030    | W3036    | W3042    |
| W3312    | W3315    | W3318    | W3321    | W3324    | W3327    | W3330    | W3336    | W3342    |
| W3612    | W3615    | W3618    | W3621    | W3624    | W3627    | W3630    | W3636    | W3642    |
| W3912    | W3915    | W3918    | W3921    | W3924    | W3927    | W3930    | W3936    | W3942    |
| W4212    | W4215    | W4218    | W4221    | W4224    | W4227    | W4230    | W4236    | W4242    |
| W4812    | W4815    | W4818    | W4821    | W4824    | W4827    | W4830    | W4836    | W4842    |

**W/CSW2CS - Wall Cabinet w/Two Center Stiles**



| EXP | FL | FUE | SS | PFD | EXT | FT | SBR | LE | TSS | OS | NSH | WS | MI | DT | NB |
|-----|----|-----|----|-----|-----|----|-----|----|-----|----|-----|----|----|----|----|
| ✓   | ✓  | ✓   |    | ✓   | ✓   |    |     |    |     | ✓  | ✓   |    | ✓  |    | ✓  |

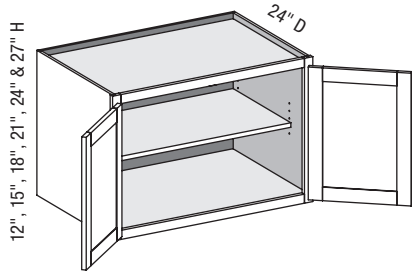
Custom Size Ranges  
 Width: 48" – 72"  
 Height: 12" – 72"  
 Depth: 5-1/2" – 27"

- Additional shelf holes are provided in cabinet back to support wide shelves.
- Doors hinged on center stile require 1/2" overlay hinges for 1-1/4" or 1-3/8" overlay.
- 12" – 18" high has no shelves.
- 18-1/16" – 24" high has one shelf.
- 24-1/16" – 36" high has two shelves.
- 36-1/16" – 48" high has three shelves.
- 48-1/16" – 60" high has four shelves.
- 60-1/16" – 72" high has five shelves.

| 30" High | 36" High | 42" High |
|----------|----------|----------|
| W5130    | W5136    | W5142    |
| W5430    | W5436    | W5442    |
| W5730    | W5736    | W5742    |
| W6030    | W6036    | W6042    |
| W6330    | W6336    | W6342    |
| W6630    | W6636    | W6642    |
| W6930    | W6936    | W6942    |
| W7230    | W7236    | W7242    |

**Options Key:** EXP = Exposed End(s) FL = Flush End(s) FUE = Flush Unexposed End(s) SS = Shaped Side PFD = Prep for False Door  
 EXT = Extended Stile(s) FT = Flush Toe SBR = Shaped Bottom Rail LE = Leg Extension TSS = Toe Space Side OS = Omit Shelving  
 NSH = No Shelf Holes WS = Solid Wood Shelves MI = Matching Interior DT = Dust Top NB = Natural Finished Bottom

**WD/CSW - Wall Deep w/Butt Doors**



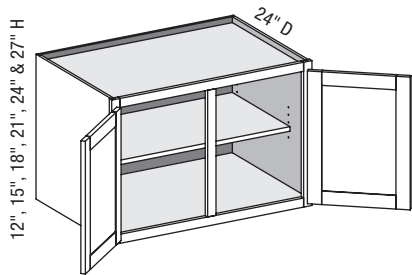
| EXP | FL | FUE | SS | PFD | EXT | FT | SBR | LE | TSS | OS | NSH | WS | MI | DT | NB |
|-----|----|-----|----|-----|-----|----|-----|----|-----|----|-----|----|----|----|----|
| ✓   | ✓  | ✓   |    | ✓   | ✓   |    |     |    |     | ✓  | ✓   | ✓  | ✓  |    | ✓  |

Custom Size Ranges  
Width: 24" – 36"  
Height: 12" – 72"  
Depth: 5-1/2" – 27"

- Single wide door option is available for lift up access applications. Hinges or hinge boring are not available.
- Blum AVENTOS HK lift systems available separately. See Section 10.
- 12" – 18" high has no shelves.
- 18-1/16" – 24" high has one shelf.
- 24-1/16" – 36" high has two shelves.
- 36-1/16" – 48" high has three shelves.
- 48-1/16" – 60" high has four shelves.
- 60-1/16" – 72" high has five shelves.

| 12" High | 15" High | 18" High | 21" High | 24" High | 27" High |
|----------|----------|----------|----------|----------|----------|
| WD3012BD | WD3015BD | WD3018BD | WD3021BD | WD3024BD | WD3027BD |
| WD3312BD | WD3315BD | WD3318BD | WD3321BD | WD3324BD | WD3327BD |
| WD3612BD | WD3615BD | WD3618BD | WD3621BD | WD3624BD | WD3627BD |

**WD/CSWCS - Wall Deep w/Center Stile**



| EXP | FL | FUE | SS | PFD | EXT | FT | SBR | LE | TSS | OS | NSH | WS | MI | DT | NB |
|-----|----|-----|----|-----|-----|----|-----|----|-----|----|-----|----|----|----|----|
| ✓   | ✓  | ✓   |    | ✓   | ✓   |    |     |    |     | ✓  | ✓   | ✓  | ✓  |    | ✓  |

Custom Size Ranges  
Width: 27" – 48"  
Height: 12" – 72"  
Depth: 5-1/2" – 27"

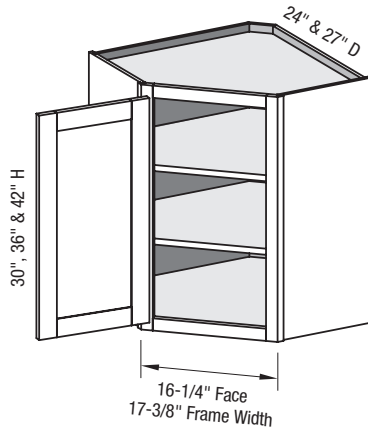
- 12" – 18" high has no shelves.
- 18-1/16" – 24" high has one shelf.
- 24-1/16" – 36" high has two shelves.
- 36-1/16" – 48" high has three shelves.
- 48-1/16" – 60" high has four shelves.
- 60-1/16" – 72" high has five shelves.

| 12" High | 15" High | 18" High | 21" High | 24" High | 27" High |
|----------|----------|----------|----------|----------|----------|
| WD3012   | WD3015   | WD3018   | WD3021   | WD3024   | WD3027   |
| WD3312   | WD3315   | WD3318   | WD3321   | WD3324   | WD3327   |
| WD3612   | WD3615   | WD3618   | WD3621   | WD3624   | WD3627   |
| WD3912   | WD3915   | WD3918   | WD3921   | WD3924   | WD3927   |
| WD4212   |          |          |          |          |          |
| WD4512   |          |          |          |          |          |
| WD4812   |          |          |          |          |          |

**Options Key:** EXP = Exposed End(s) FL = Flush End(s) FUE = Flush Unexposed End(s) SS = Shaped Side PFD = Prep for False Door  
EXT = Extended Stile(s) FT = Flush Toe SBR = Shaped Bottom Rail LE = Leg Extension TSS = Toe Space Side OS = Omit Shelving  
NSH = No Shelf Holes WS = Solid Wood Shelves MI = Matching Interior DT = Dust Top NB = Natural Finished Bottom

### WCS/CSWCSE - Wall Corner Single Entry

| EXP | FL | FUE | SS | PFD | EXT | FT | SBR | LE | TSS | OS | NSH | WS | MI | DT | NB |
|-----|----|-----|----|-----|-----|----|-----|----|-----|----|-----|----|----|----|----|
| ✓   | ✓  | ✓   |    |     |     |    |     |    |     | ✓  | ✓   | ✓  | ✓  |    | ✓  |



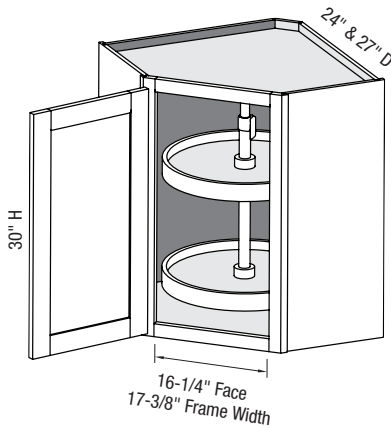
Custom Size Ranges  
 Width: 24", 27"  
 Height: 24" – 72"  
 Depth: 24", 27"

- WCS24 units have 12-1/2" deep sides.
- WCS27 units have 15-1/2" deep sides.
- Shelf mounted wood susan shelves are available. See Section 10 – Accessories.
- When hinges are ordered in 1-1/4" and 1-3/8" overlay applications, cabinets will have their doors sized as 1/2" overlay in width only to ensure adequate clearance.
- If hinges are not specified, 1-1/4" and 1-3/8" overlay sizing rules apply. These overlays require adequate clearance for door functionality between corner and adjacent cabinets. Use filler or extended stiles accordingly.
- 24" – 36" high has two shelves.
- 36-1/16" – 48" high has three shelves.
- 48-1/16" – 60" high has four shelves.
- 60-1/16" – 72" high has five shelves.

| 30" High | 36" High | 42" High |
|----------|----------|----------|
| WCS2430  | WCS2436  | WCS2442  |
| WCS2730  | WCS2736  | WCS2742  |

### WCSLS – Wall Corner Single Entry with Lazy Susan

| EXP | FL | FUE | SS | PFD | EXT | FT | SBR | LE | TSS | OS | NSH | WS | MI | DT | NB |
|-----|----|-----|----|-----|-----|----|-----|----|-----|----|-----|----|----|----|----|
| ✓   | ✓  | ✓   |    |     |     |    |     |    |     | ✓  | ✓   | ✓  | ✓  |    | ✓  |



Custom Size Ranges  
 Width: 24", 27"  
 Height: 30"  
 Depth: 24", 27"

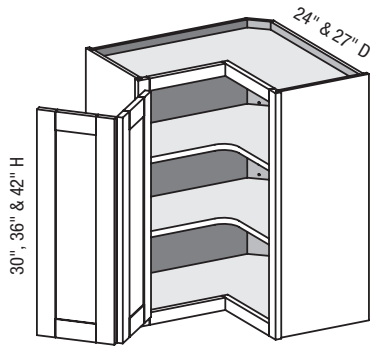
- Cabinet top and bottom is pre-drilled to accept hub assembly. Location and installation are greatly simplified.
- Cabinet includes 18" diameter entry level plastic susan with two independently rotating shelves mounted on a center pole.
- White susan shelves feature a self-lubricating nylon bearing and tool-free height adjustment.
- Size customization is not available due to susan size constraints.
- WCSLS24 has 12-1/2" deep sides.
- WCSLS27 has 15-1/2" deep sides.
- When ordered with 1-1/4" and 1-3/8" overlay applications, cabinets will have their door sized as 1/2" overlay in width only.
- Not available with inset applications.
- If hinges are not specified, 1-1/4" and 1-3/8" overlay sizing rules apply. These overlays require adequate clearance for door functionality between corner and adjacent cabinets. Use filler or extended stiles accordingly.

| Cabinet Code |
|--------------|
| WCSLS2430    |
| WCSLS2730    |

**Options Key:** EXP = Exposed End(s) FL = Flush End(s) FUE = Flush Unexposed End(s) SS = Shaped Side PFD = Prep for False Door  
 EXT = Extended Stile(s) FT = Flush Toe SBR = Shaped Bottom Rail LE = Leg Extension TSS = Toe Space Side OS = Omit Shelving  
 NSH = No Shelf Holes WS = Solid Wood Shelves MI = Matching Interior DT = Dust Top NB = Natural Finished Bottom

**WCP/CSWCP - Wall Corner Pie Cut**

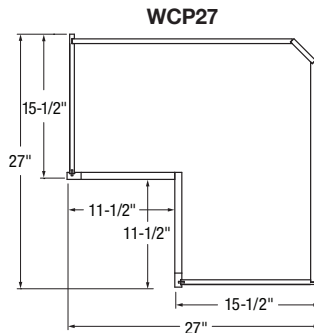
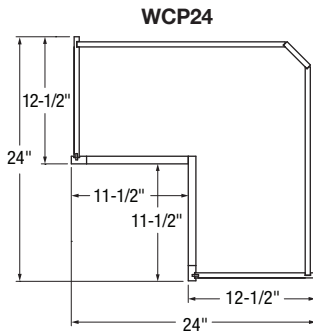
| EXP | FL | FUE | SS | PFD | EXT | FT | SBR | LE | TSS | OS | NSH | WS | MI | DT | NB |
|-----|----|-----|----|-----|-----|----|-----|----|-----|----|-----|----|----|----|----|
| ✓   | ✓  | ✓   |    |     | ✓   |    |     |    |     | ✓  | ✓   | ✓  | ✓  |    | ✓  |



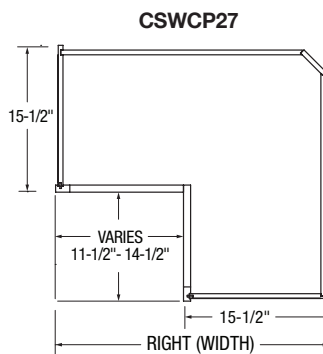
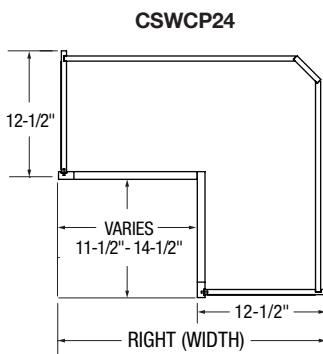
Custom Size Ranges  
 24" Wide:  
 Width: 24" – 27"  
 Height: 24" – 72"  
 Depth: 24" – 27"

27" Wide:  
 Width: 27" – 30"  
 Height: 24" – 72"  
 Depth: 27" – 30"

- WCP24 units have 12-1/2" deep sides.
- WCP27 units have 15-1/2" deep sides.
- When hinges are ordered in 1-1/4" and 1-3/8" overlay applications, cabinets will have their doors sized as 1/2" overlay in width only to ensure proper clearance.
- CSWCP available with custom size legs. Specify width (left dimension) and depth (right dimension). Side depth remains fixed; front frame pie cut opening adjusts as size changes.
- Wood shelf upgrade not available with CSWCP.
- Shelf mounted wood susan shelves are available. See Section 10 – Accessories.
- Optional Soss hinges available.
- 24" – 36" high has two shelves.
- 36-1/16" – 48" high has three shelves.
- 48-1/16" – 60" high has four shelves.
- 60-1/16" – 72" high has five shelves.



| Custom Size Ranges |                    |                    |
|--------------------|--------------------|--------------------|
|                    | 12-1/2" deep sides | 15-1/2" deep sides |
| Width              | 24" – 27"          | 27" – 30"          |
| Height             | 24" – 48"          | 24" – 48"          |
| Depth              | 24" – 27"          | 27" – 30"          |



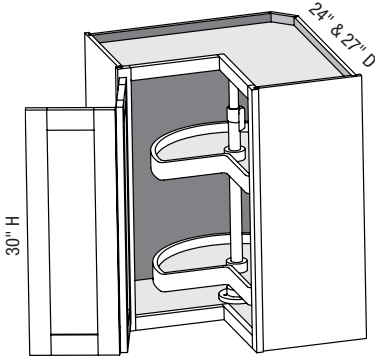
| 30" High | 36" High | 42" High |
|----------|----------|----------|
| WCP2430  | WCP2436  | WCP2442  |
| WCP2730  | WCP2736  | WCP2742  |

**Options Key:** EXP = Exposed End(s) FL = Flush End(s) FUE = Flush Unexposed End(s) SS = Shaped Side PFD = Prep for False Door  
 EXT = Extended Stile(s) FT = Flush Toe SBR = Shaped Bottom Rail LE = Leg Extension TSS = Toe Space Side OS = Omit Shelving  
 NSH = No Shelf Holes WS = Solid Wood Shelves MI = Matching Interior DT = Dust Top NB = Natural Finished Bottom

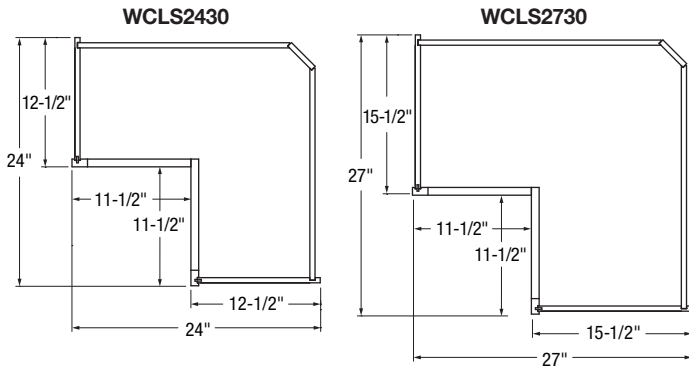
**WCPLS/CSWCPLS – Wall Corner Lazy Susan**

| EXP | FL | FUE | SS | PFD | EXT | FT | SBR | LE | TSS | OS | NSH | WS | MI | DT | NB |
|-----|----|-----|----|-----|-----|----|-----|----|-----|----|-----|----|----|----|----|
| ✓   | ✓  | ✓   |    |     | ✓   |    |     |    |     | ✓  | ✓   | ✓  | ✓  |    | ✓  |

Custom Size Ranges  
 Width: 24", 27"  
 Height: 30"  
 Depth: 24", 27"



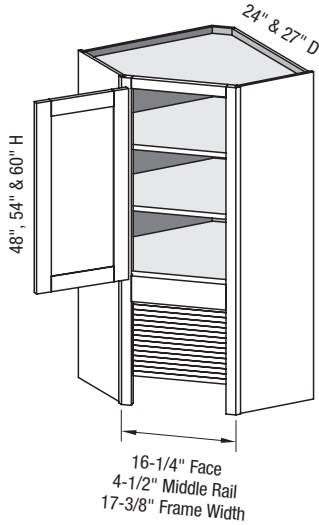
- Cabinet top and bottom is pre-drilled to accept hub assembly. Location and installation are greatly simplified.
- Cabinet includes entry level plastic susan with two independently rotating kidney shelves mounted on a center pole.
- White susan shelves feature a self-lubricating nylon bearing and tool-free height adjustment.
- WCPLS24 has 12-1/2" deep sides and 18" diameter susan shelves.
- WCPLS27 has 15-1/2" deep sides and 24" diameter susan shelves.
- Height customization is not available due to susan unit size constraints.
- When hinges are ordered in 1-1/4" and 1-3/8" overlay applications, cabinets will have their door sized as 1/2" overlay in width only.
- If hinges are not specified, 1-1/4" and 1-3/8" overlay sizing rules apply. These overlays require adequate clearance for door functionality between corner and adjacent cabinets. Use filler or extended stiles accordingly.
- Not available with inset applications.
- Optional Soss hinges available.



| Cabinet Code |
|--------------|
| WCPLS2430    |
| WCPLS2730    |

**Options Key:** EXP = Exposed End(s) FL = Flush End(s) FUE = Flush Unexposed End(s) SS = Shaped Side PFD = Prep for False Door  
 EXT = Extended Stile(s) FT = Flush Toe SBR = Shaped Bottom Rail LE = Leg Extension TSS = Toe Space Side OS = Omit Shelving  
 NSH = No Shelf Holes WS = Solid Wood Shelves MI = Matching Interior DT = Dust Top NB = Natural Finished Bottom

**WCA/CSWCA - Wall Corner Appliance Garage**



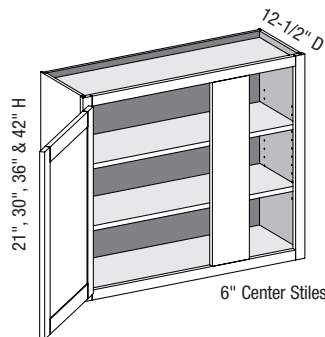
| EXP | FL | FUE | SS | PFD | EXT | FT | SBR | LE | TSS | OS | NSH | WS | MI | DT | NB |
|-----|----|-----|----|-----|-----|----|-----|----|-----|----|-----|----|----|----|----|
| ✓   | ✓  | ✓   |    |     |     |    |     |    |     | ✓  | ✓   | ✓  | ✓  |    | ✓  |

Custom Size Ranges  
Width: 24", 27"  
Height: 48" – 72"  
Depth: 24", 27"

- Tambour door and shelves standard.
- Optional 18" round plastic susan with 48" high only.
- When height changes, upper opening height changes. Lower opening height fixed at 15-1/4".
- WCA24 has 12-1/2" deep sides and WCA27 has 15-1/2" deep sides.
- Hinges ordered in 1-1/4" and 1-3/8" overlay applications – cabinets will have doors sized as 1/2" overlay in width only.
- If hinges are not specified, 1-1/4" and 1-3/8" overlay sizing rules apply. These overlays require adequate clearance for door functionality between corner and adjacent cabinets. Use filler or extended stiles accordingly.
- 48" – 54" high has two shelves.
- 54-1/16" – 66" high has three shelves.
- 66-1/16" – 72" high has four shelves.

| 48" High | 54" High | 60" High |
|----------|----------|----------|
| WCA2448  | WCA2454  | WCA2460  |
| WCA2748  | WCA2754  | WCA2760  |

**WBC/CSWBC - Wall Blind Corner**



| EXP | FL | FUE | SS | PFD | EXT | FT | SBR | LE | TSS | OS | NSH | WS | MI | DT | NB |
|-----|----|-----|----|-----|-----|----|-----|----|-----|----|-----|----|----|----|----|
| ✓   | ✓  | ✓   |    | ✓   |     |    |     |    |     | ✓  | ✓   | ✓  | ✓  |    | ✓  |

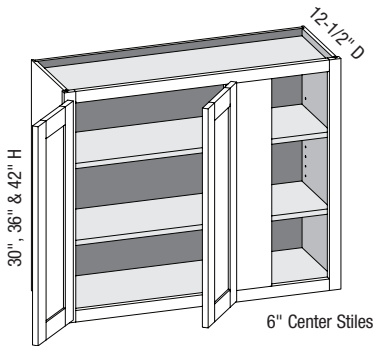
Custom Size Ranges  
Width: 27" – 48"  
Height: 12" – 72"  
Depth: 5-1/2" – 27"

- Units are reversible (left shown).
- Designed to be used with adjacent 12-1/2" deep cabinet.
- 7-1/2" blind opening (fixed).
- 12" – 18" high has no shelves.
- 18-1/16" – 24" high has one shelf.
- 24-1/16" – 36" high has two shelves.
- 36-1/16" – 48" high has three shelves.
- 48-1/16" – 60" high has four shelves.
- 60-1/16" – 72" high has five shelves.
- Specify single or butt doors on custom cabinets 36" wide.

| 21" High | 30" High | 36" High | 42" High |
|----------|----------|----------|----------|
| WBC2721  | WBC2730  | WBC2736  | WBC2742  |
| WBC3621  | WBC3030  | WBC3036  | WBC3042  |
|          | WBC3630  | WBC3636  | WBC3642  |

**Options Key:** EXP = Exposed End(s) FL = Flush End(s) FUE = Flush Unexposed End(s) SS = Shaped Side PFD = Prep for False Door  
EXT = Extended Stile(s) FT = Flush Toe SBR = Shaped Bottom Rail LE = Leg Extension TSS = Toe Space Side OS = Omit Shelving  
NSH = No Shelf Holes WS = Solid Wood Shelves MI = Matching Interior DT = Dust Top NB = Natural Finished Bottom

### WBC/CSWBC - Wall Blind Corner w/Butt Doors



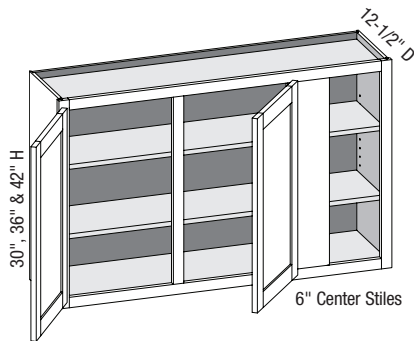
| EXP | FL | FUE | SS | PFD | EXT | FT | SBR | LE | TSS | OS | NSH | WS | MI | DT | NB |
|-----|----|-----|----|-----|-----|----|-----|----|-----|----|-----|----|----|----|----|
| ✓   | ✓  | ✓   |    | ✓   |     |    |     |    |     | ✓  | ✓   | ✓  | ✓  |    | ✓  |

Custom Size Ranges  
 Width: 36" – 48"  
 Height: 12" – 72"  
 Depth: 5-1/2" – 27"

- Units are reversible (left shown).
- Designed to be used with adjacent 12-1/2" deep cabinet.
- 7-1/2" blind opening (fixed).
- 12" – 18" high has no shelves.
- 18-1/16" – 24" high has one shelf.
- 24-1/16" – 36" high has two shelves.
- 36-1/16" – 48" high has three shelves.
- 48-1/16" – 60" high has four shelves.
- 60-1/16" – 72" high has five shelves.
- Specify single or butt doors on custom cabinets 36" wide.

| 30" High  | 36" High  | 42" High  |
|-----------|-----------|-----------|
| WBC4230BD | WBC4236BD | WBC4242BD |
| WBC4830BD | WBC4836BD | WBC4842BD |

### WBC/CSWBCCS - Wall Blind Corner w/Center Stile



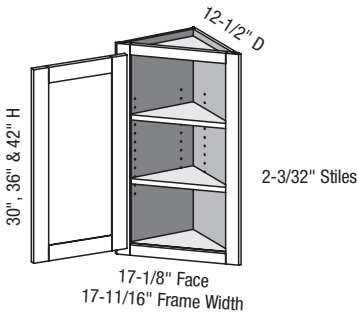
| EXP | FL | FUE | SS | PFD | EXT | FT | SBR | LE | TSS | OS | NSH | WS | MI | DT | NB |
|-----|----|-----|----|-----|-----|----|-----|----|-----|----|-----|----|----|----|----|
| ✓   | ✓  | ✓   |    | ✓   |     |    |     |    |     | ✓  | ✓   | ✓  | ✓  |    | ✓  |

Custom Size Ranges  
 Width: 36" – 48"  
 Height: 12" – 72"  
 Depth: 5-1/2" – 27"

- Units are reversible (left shown).
- Designed to be used with adjacent 12-1/2" deep cabinet.
- 7-1/2" blind opening (fixed).
- 12" – 18" high has no shelves.
- 18-1/16" – 24" high has one shelf.
- 24-1/16" – 36" high has two shelves.
- 36-1/16" – 48" high has three shelves.
- 48-1/16" – 60" high has four shelves.
- 60-1/16" – 72" high has five shelves.

| 30" High | 36" High | 42" High |
|----------|----------|----------|
| WBC4230  | WBC4236  | WBC4242  |
| WBC4830  | WBC4836  | WBC4842  |

### WAE/CSWAE - Wall Angle End



| EXP | FL | FUE | SS | PFD | EXT | FT | SBR | LE | TSS | OS | NSH | WS | MI | DT | NB |
|-----|----|-----|----|-----|-----|----|-----|----|-----|----|-----|----|----|----|----|
|     |    |     |    |     |     |    |     |    |     | ✓  | ✓   | ✓  | ✓  |    | ✓  |

Custom Size Ranges  
 Width: 12-1/2"  
 Height: 12" – 72"  
 Depth: 12-1/2"

- Concealed inset hinges are not available.
- 12" – 18" high has no shelves.
- 18-1/16" – 24" high has one shelf.
- 24-1/16" – 36" high has two shelves.
- 36-1/16" – 48" high has three shelves.
- 48-1/16" – 60" high has four shelves.
- 60-1/16" – 72" high has five shelves.

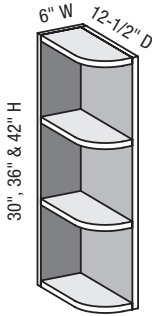
| 30" High | 36" High | 42" High |
|----------|----------|----------|
| WAE1230  | WAE1236  | WAE1242  |

**Options Key:** EXP = Exposed End(s) FL = Flush End(s) FUE = Flush Unexposed End(s) SS = Shaped Side PFD = Prep for False Door  
 EXT = Extended Stile(s) FT = Flush Toe SBR = Shaped Bottom Rail LE = Leg Extension TSS = Toe Space Side OS = Omit Shelving  
 NSH = No Shelf Holes WS = Solid Wood Shelves MI = Matching Interior DT = Dust Top NB = Natural Finished Bottom



**WOS/CSWOS - Wall Open Shelf**

| EXP | FL | FUE | SS | PFD | EXT | FT | SBR | LE | TSS | OS | NSH | WS | MI  | DT | NB |
|-----|----|-----|----|-----|-----|----|-----|----|-----|----|-----|----|-----|----|----|
|     |    |     |    |     |     |    |     |    |     |    |     |    | STD |    |    |



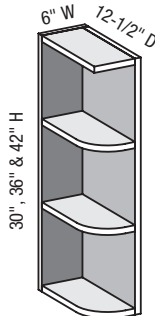
Custom Size Ranges  
Width: 6"  
Height: 12" – 48"  
Depth: 12-1/2" – 27"

- Standard as shown. No options are available.
- Reversible.
- 3/4" matching specie plywood with dowel construction.
- Exposed edges are banded with matching specie veneer.
- Hard Maple plywood for Hard and Soft Maple lines.
- 12" – 17-15/16" high has two shelves.
- 18" – 23-15/16" high has three shelves.
- 24" – 35-15/16" high has four shelves.
- 36" – 48" high has five shelves.

| 30" High | 36" High | 42" High |
|----------|----------|----------|
| WOS0630  | WOS0636  | WOS0642  |

**WOSST/CSWOSST - Wall Open Shelf Square Top**

| EXP | FL | FUE | SS | PFD | EXT | FT | SBR | LE | TSS | OS | NSH | WS | MI  | DT | NB |
|-----|----|-----|----|-----|-----|----|-----|----|-----|----|-----|----|-----|----|----|
|     |    |     |    |     |     |    |     |    |     |    |     |    | STD |    |    |



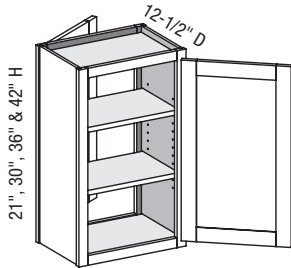
Custom Size Ranges  
Width: 6"  
Height: 12" – 48"  
Depth: 12-1/2" – 27"

- Standard as shown. No options are available.
- 3/4" matching specie plywood with dowel construction.
- Exposed edges are banded with matching specie veneer.
- Hard Maple plywood for Hard and Soft Maple lines.
- 12" – 17-15/16" high has two shelves.
- 18" – 23-15/16" high has three shelves.
- 24" – 35-15/16" high has four shelves.
- 36" – 48" high has five shelves.

| 30" High  | 36" High  | 42" High  |
|-----------|-----------|-----------|
| WOSST0630 | WOSST0636 | WOSST0642 |

**Options Key:** EXP = Exposed End(s) FL = Flush End(s) FUE = Flush Unexposed End(s) SS = Shaped Side PFD = Prep for False Door  
EXT = Extended Stile(s) FT = Flush Toe SBR = Shaped Bottom Rail LE = Leg Extension TSS = Toe Space Side OS = Omit Shelving  
NSH = No Shelf Holes WS = Solid Wood Shelves MI = Matching Interior DT = Dust Top NB = Natural Finished Bottom

### WDE/CSWDE - Wall Double Entry



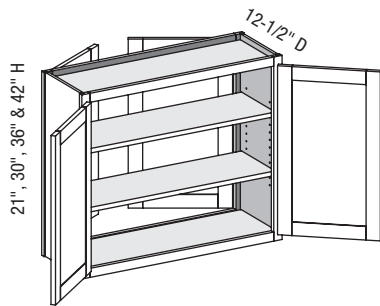
| EXP | FL | FUE | SS | PFD | EXT | FT | SBR | LE | TSS | OS | NSH | WS | MI | DT | NB |
|-----|----|-----|----|-----|-----|----|-----|----|-----|----|-----|----|----|----|----|
| ✓   | ✓  | ✓   |    |     | ✓   |    |     |    |     | ✓  | ✓   |    | ✓  |    | ✓  |

Custom Size Ranges  
 Width: 9" – 24"  
 Height: 12" – 72"  
 Depth: 5-1/2" – 27"

- 12" – 18" high has no shelves.
- 18-1/16" – 24" high has one shelf.
- 24-1/16" – 36" high has two shelves.
- 36-1/16" – 48" high has three shelves.
- 48-1/16" – 60" high has four shelves.
- 60-1/16" – 72" high has five shelves.
- Specify single or butt doors on custom size cabinets 24" wide.

| 21" High | 30" High | 36" High | 42" High |
|----------|----------|----------|----------|
| WDE1821  | WDE1830  | WDE1836  | WDE1842  |
| WDE2421  | WDE2430  | WDE2436  | WDE2442  |

### WDE/CSWDE - Wall Double Entry w/Butt Doors



| EXP | FL | FUE | SS | PFD | EXT | FT | SBR | LE | TSS | OS | NSH | WS | MI | DT | NB |
|-----|----|-----|----|-----|-----|----|-----|----|-----|----|-----|----|----|----|----|
| ✓   | ✓  | ✓   |    |     | ✓   |    |     |    |     | ✓  | ✓   |    | ✓  |    | ✓  |

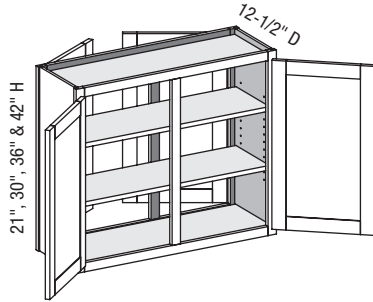
Custom Size Ranges  
 Width: 24" – 36"  
 Height: 12" – 72"  
 Depth: 5-1/2" – 27"

- 12" – 18" high has no shelves.
- 18-1/16" – 24" high has one shelf.
- 24-1/16" – 36" high has two shelves.
- 36-1/16" – 48" high has three shelves.
- 48-1/16" – 60" high has four shelves.
- 60-1/16" – 72" high has five shelves.
- Specify single or butt doors on custom size cabinets 24" wide.

| 21" High  | 30" High  | 36" High  | 42" High  |
|-----------|-----------|-----------|-----------|
| WDE2421BD | WDE2430BD | WDE2436BD | WDE2442BD |
| WDE2721BD | WDE2730BD | WDE2736BD | WDE2742BD |
| WDE3621BD | WDE3030BD | WDE3636BD | WDE3642BD |
|           | WDE3630BD |           |           |

**Options Key:** EXP = Exposed End(s) FL = Flush End(s) FUE = Flush Unexposed End(s) SS = Shaped Side PFD = Prep for False Door  
 EXT = Extended Stile(s) FT = Flush Toe SBR = Shaped Bottom Rail LE = Leg Extension TSS = Toe Space Side OS = Omit Shelving  
 NSH = No Shelf Holes WS = Solid Wood Shelves MI = Matching Interior DT = Dust Top NB = Natural Finished Bottom

### WDE/CSWDECS - Wall Double Entry w/Center Stile



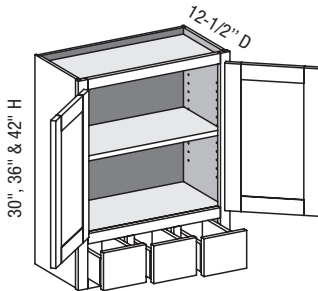
| EXP | FL | FUE | SS | PFD | EXT | FT | SBR | LE | TSS | OS | NSH | WS | MI | DT | NB |
|-----|----|-----|----|-----|-----|----|-----|----|-----|----|-----|----|----|----|----|
| ✓   | ✓  | ✓   |    |     | ✓   |    |     |    |     | ✓  | ✓   |    | ✓  |    | ✓  |

Custom Size Ranges  
 Width: 27" – 48"  
 Height: 12" – 72"  
 Depth: 5-1/2" – 27"

- 12" – 18" high has no shelves.
- 18-1/16" – 24" high has one shelf.
- 24-1/16" – 36" high has two shelves.
- 36-1/16" – 48" high has three shelves.
- 48-1/16" – 60" high has four shelves.
- 60-1/16" – 72" high has five shelves.

| 21" High | 30" High | 36" High | 42" High |
|----------|----------|----------|----------|
| WDE2721  | WDE2730  | WDE2736  | WDE2742  |
| WDE3621  | WDE3030  | WDE3636  | WDE3642  |
|          | WDE3630  |          |          |

### WSD/CSWS3D - Wall Spice Three Drawer w/Butt Doors



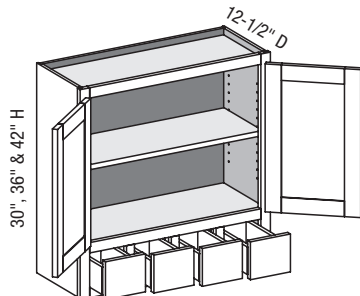
| EXP | FL | FUE | SS | PFD | EXT | FT | SBR | LE | TSS | OS | NSH | WS | MI | DT | NB |
|-----|----|-----|----|-----|-----|----|-----|----|-----|----|-----|----|----|----|----|
| ✓   | ✓  | ✓   |    | ✓   | ✓   |    |     |    |     | ✓  | ✓   | ✓  | ✓  |    | ✓  |

Custom Size Ranges  
 Width: 24" – 29-15/16"  
 Height: 30" – 72"  
 Depth: 5-1/2" – 27"

- No drawer slides.
- When height changes, upper opening height changes. Lower opening height fixed at 5".
- 30" – 35-15/16" high has one shelf.
- 36" – 42" high has two shelves.
- 42-1/16" – 48" high has three shelves.
- 48-1/16" – 60" high has four shelves.
- 60-1/16" – 72" high has five shelves.

| 30" High  | 36" High  | 42" High  |
|-----------|-----------|-----------|
| WSD2430BD | WSD2436BD | WSD2442BD |

### WSD/CSWS4D - Wall Spice Four Drawer w/Butt Doors



| EXP | FL | FUE | SS | PFD | EXT | FT | SBR | LE | TSS | OS | NSH | WS | MI | DT | NB |
|-----|----|-----|----|-----|-----|----|-----|----|-----|----|-----|----|----|----|----|
| ✓   | ✓  | ✓   |    | ✓   | ✓   |    |     |    |     | ✓  | ✓   | ✓  | ✓  |    | ✓  |

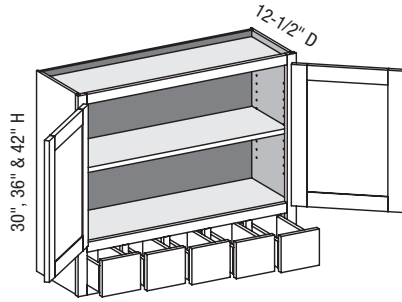
Custom Size Ranges  
 Width: 30" – 35-15/16"  
 Height: 30" – 72"  
 Depth: 5-1/2" – 27"

- No drawer slides.
- When height changes, upper opening height changes. Lower opening height fixed at 5".
- 30" – 35-15/16" high has one shelf.
- 36" – 42" high has two shelves.
- 42-1/16" – 48" high has three shelves.
- 48-1/16" – 60" high has four shelves.
- 60-1/16" – 72" high has five shelves.

| 30" High  | 36" High  | 42" High  |
|-----------|-----------|-----------|
| WSD3030BD | WSD3036BD | WSD3042BD |

**Options Key:** EXP = Exposed End(s) FL = Flush End(s) FUE = Flush Unexposed End(s) SS = Shaped Side PFD = Prep for False Door  
 EXT = Extended Stile(s) FT = Flush Toe SBR = Shaped Bottom Rail LE = Leg Extension TSS = Toe Space Side OS = Omit Shelving  
 NSH = No Shelf Holes WS = Solid Wood Shelves MI = Matching Interior DT = Dust Top NB = Natural Finished Bottom

**WSD/CSWS5D - Wall Spice Five Drawer w/Butt Doors**



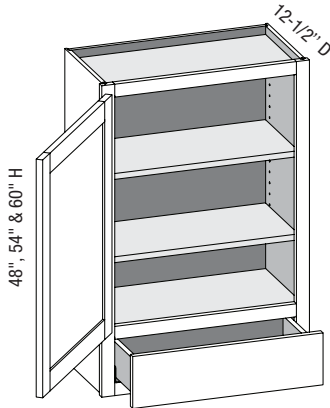
| EXP | FL | FUE | SS | PFD | EXT | FT | SBR | LE | TSS | OS | NSH | WS | MI | DT | NB |
|-----|----|-----|----|-----|-----|----|-----|----|-----|----|-----|----|----|----|----|
| ✓   | ✓  | ✓   |    | ✓   | ✓   |    |     |    |     | ✓  | ✓   | ✓  | ✓  |    | ✓  |

Custom Size Ranges  
 Width: 36"  
 Height: 30" – 72"  
 Depth: 5-1/2" – 27"

- No drawer slides.
- When height changes, upper opening height changes. Lower opening height fixed at 5".
- 30" – 35-15/16" high has one shelf.
- 36" – 42" high has two shelves.
- 42-1/16" – 48" high has three shelves.
- 48-1/16" – 60" high has four shelves.
- 60-1/16" – 72" high has five shelves.

| 30" High  | 36" High  | 42" High  |
|-----------|-----------|-----------|
| WSD3630BD | WSD3636BD | WSD3642BD |

**W1D/CSW1D - Wall One Drawer**



| EXP | FL | FUE | SS | PFD | EXT | FT | SBR | LE | TSS | OS | NSH | WS | MI | DT | NB |
|-----|----|-----|----|-----|-----|----|-----|----|-----|----|-----|----|----|----|----|
| ✓   | ✓  | ✓   |    | ✓   | ✓   |    |     |    |     | ✓  | ✓   | ✓  | ✓  |    | ✓  |

Custom Size Ranges  
 Width: 12" – 24"  
 Height: 30" – 72"  
 Depth: 12", 12-1/2",  
 15", 18", 21", 24"

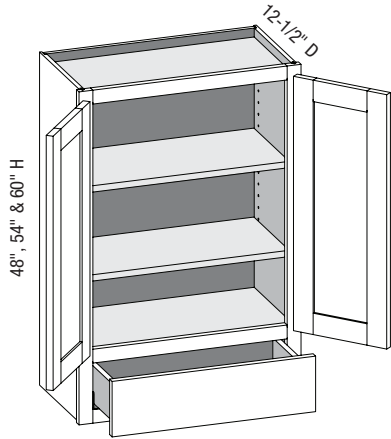
- When height changes, upper opening height changes. Lower opening height fixed at 5".
- 30" – 35-15/16" high has one shelf.
- 36" – 47-15/16" high has two shelves.
- 48" – 59-15/16" high has three shelves.
- 60" – 72" high has four shelves.
- Specify single or butt doors on custom size cabinets 24" wide.

| 48" High | 54" High | 60" High |
|----------|----------|----------|
| W1D1548  | W1D1554  | W1D1560  |
| W1D1848  | W1D1854  | W1D1860  |
| W1D2148  | W1D2154  | W1D2160  |
| W1D2448  | W1D2454  | W1D2460  |

**Options Key:** EXP = Exposed End(s) FL = Flush End(s) FUE = Flush Unexposed End(s) SS = Shaped Side PFD = Prep for False Door  
 EXT = Extended Stile(s) FT = Flush Toe SBR = Shaped Bottom Rail LE = Leg Extension TSS = Toe Space Side OS = Omit Shelving  
 NSH = No Shelf Holes WS = Solid Wood Shelves MI = Matching Interior DT = Dust Top NB = Natural Finished Bottom

**W1D/CSW1D - Wall One Drawer w/Butt Doors**

| EXP | FL | FUE | SS | PFD | EXT | FT | SBR | LE | TSS | OS | NSH | WS | MI | DT | NB |
|-----|----|-----|----|-----|-----|----|-----|----|-----|----|-----|----|----|----|----|
| ✓   | ✓  | ✓   |    | ✓   | ✓   |    |     |    |     | ✓  | ✓   | ✓  | ✓  |    | ✓  |



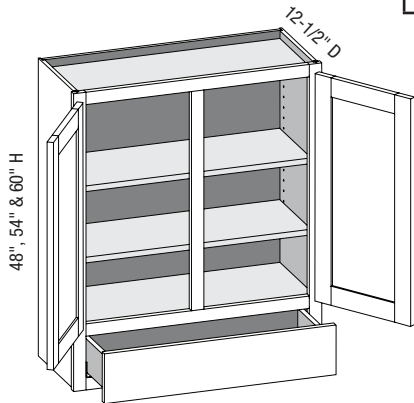
Custom Size Ranges  
Width: 24" – 36"  
Height: 30" – 72"  
Depth: 12", 12-1/2",  
15", 18", 21", 24"

- When height changes, upper opening height changes. Lower opening height fixed at 5".
- 30" – 35-15/16" high has one shelf.
- 36" – 47-15/16" high has two shelves.
- 48" – 59-15/16" high has three shelves.
- 60" – 72" high has four shelves.
- Specify single or butt doors on custom size cabinets 24" wide.

| 48" High  | 54" High  | 60" High  |
|-----------|-----------|-----------|
| W1D2748BD | W1D2454BD | W1D2460BD |
| W1D3048BD | W1D2754BD | W1D2760BD |
| W1D3348BD | W1D3054BD | W1D3060BD |
| W1D3648BD | W1D3354BD | W1D3360BD |
|           | W1D3654BD | W1D3660BD |

**W1D/CSW1DCS - Wall One Drawer w/Center Stile**

| EXP | FL | FUE | SS | PFD | EXT | FT | SBR | LE | TSS | OS | NSH | WS | MI | DT | NB |
|-----|----|-----|----|-----|-----|----|-----|----|-----|----|-----|----|----|----|----|
| ✓   | ✓  | ✓   |    | ✓   | ✓   |    |     |    |     | ✓  | ✓   | ✓  | ✓  |    | ✓  |



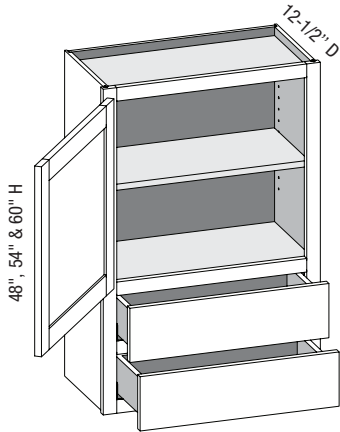
Custom Size Ranges  
Width: 27" – 36"  
Height: 30" – 72"  
Depth: 12", 12-1/2",  
15", 18", 21", 24"

- When height changes, upper opening height changes. Lower opening height fixed at 5".
- 30" – 35-15/16" high has one shelf.
- 36" – 47-15/16" high has two shelves.
- 48" – 59-15/16" high has three shelves.
- 60" – 72" high has four shelves.

| 48" High | 54" High | 60" High |
|----------|----------|----------|
| W1D2748  | W1D2754  | W1D2760  |
| W1D3048  | W1D3054  | W1D3060  |
| W1D3348  | W1D3354  | W1D3360  |
| W1D3648  | W1D3654  | W1D3660  |

**Options Key:** EXP = Exposed End(s) FL = Flush End(s) FUE = Flush Unexposed End(s) SS = Shaped Side PFD = Prep for False Door  
EXT = Extended Stile(s) FT = Flush Toe SBR = Shaped Bottom Rail LE = Leg Extension TSS = Toe Space Side OS = Omit Shelving  
NSH = No Shelf Holes WS = Solid Wood Shelves MI = Matching Interior DT = Dust Top NB = Natural Finished Bottom

**W2D/CSW2D - Wall Two Drawer**



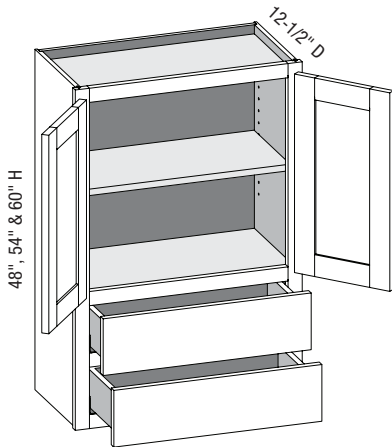
| EXP | FL | FUE | SS | PFD | EXT | FT | SBR | LE | TSS | OS | NSH | WS | MI | DT | NB |
|-----|----|-----|----|-----|-----|----|-----|----|-----|----|-----|----|----|----|----|
| ✓   | ✓  | ✓   |    | ✓   | ✓   |    |     |    |     | ✓  | ✓   | ✓  | ✓  |    | ✓  |

Custom Size Ranges  
 Width: 12" – 24"  
 Height: 30" – 72"  
 Depth: 12", 12-1/2",  
 15", 18", 21", 24"

- When height changes, upper opening height changes. Lower opening heights fixed at 5".
- 30" – 41-15/16" high has one shelf.
- 42" – 47-15/16" high has two shelves.
- 48" – 59-15/16" high has three shelves.
- 60" – 72" high has four shelves.
- Specify single or butt doors on custom size cabinets 24" wide.

| 48" High | 54" High | 60" High |
|----------|----------|----------|
| W2D1548  | W2D1554  | W2D1560  |
| W2D1848  | W2D1854  | W2D1860  |
| W2D2148  | W2D2154  | W2D2160  |
| W2D2448  | W2D2454  | W2D2460  |

**W2D/CSW2D - Wall Two Drawer w/Butt Doors**



| EXP | FL | FUE | SS | PFD | EXT | FT | SBR | LE | TSS | OS | NSH | WS | MI | DT | NB |
|-----|----|-----|----|-----|-----|----|-----|----|-----|----|-----|----|----|----|----|
| ✓   | ✓  | ✓   |    | ✓   | ✓   |    |     |    |     | ✓  | ✓   | ✓  | ✓  |    | ✓  |

Custom Size Ranges  
 Width: 24" – 36"  
 Height: 30" – 72"  
 Depth: 12", 12-1/2",  
 15", 18", 21", 24"

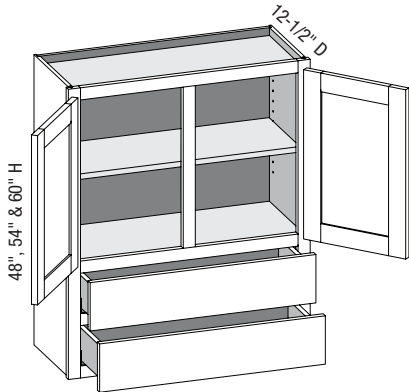
- When height changes, upper opening height changes. Lower opening heights fixed at 5".
- 30" – 41-15/16" high has one shelf.
- 42" – 47-15/16" high has two shelves.
- 48" – 59-15/16" high has three shelves.
- 60" – 72" high has four shelves.
- Specify single or butt doors on custom size cabinets 24" wide.

| 48" High  | 54" High  | 60" High  |
|-----------|-----------|-----------|
| W2D2448BD | W2D2454BD | W2D2460BD |
| W2D2748BD | W2D2754BD | W2D2760BD |
| W2D3048BD | W2D3054BD | W2D3060BD |
| W2D3348BD | W2D3354BD | W2D3360BD |
| W2D3648BD | W2D3654BD | W2D3660BD |

**Options Key:** EXP = Exposed End(s) FL = Flush End(s) FUE = Flush Unexposed End(s) SS = Shaped Side PFD = Prep for False Door  
 EXT = Extended Stile(s) FT = Flush Toe SBR = Shaped Bottom Rail LE = Leg Extension TSS = Toe Space Side OS = Omit Shelving  
 NSH = No Shelf Holes WS = Solid Wood Shelves MI = Matching Interior DT = Dust Top NB = Natural Finished Bottom

**W2D/CSW2DCS - Wall Two Drawer w/Center Stile**

| EXP | FL | FUE | SS | PFD | EXT | FT | SBR | LE | TSS | OS | NSH | WS | MI | DT | NB |
|-----|----|-----|----|-----|-----|----|-----|----|-----|----|-----|----|----|----|----|
| ✓   | ✓  | ✓   |    | ✓   | ✓   |    |     |    |     | ✓  | ✓   | ✓  | ✓  |    | ✓  |



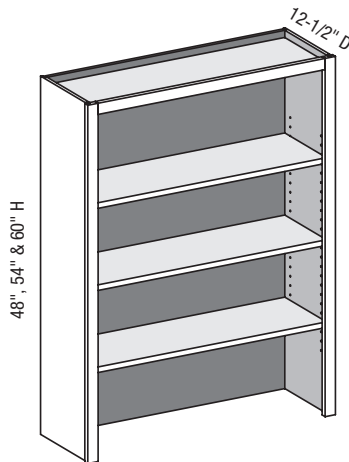
Custom Size Ranges  
 Width: 27" – 36"  
 Height: 30" – 72"  
 Depth: 12", 12-1/2",  
 15", 18", 21", 24"

- When cabinet height changes the upper opening changes. Lower opening heights fixed at 5".
- 30" – 41-15/16" high has one shelf.
- 42" – 47-15/16" high has two shelves.
- 48" – 59-15/16" high has three shelves.
- 60" – 72" high has four shelves.

| 48" High | 54" High | 60" High |
|----------|----------|----------|
| W2D2748  | W2D2754  | W2D2760  |
| W2D3048  | W2D3054  | W2D3060  |
| W2D3348  | W2D3354  | W2D3360  |
| W2D3648  | W2D3654  | W2D3660  |

**WOBS/CSWOBS - Wall Open Bookshelf**

| EXP | FL | FUE | SS | PFD | EXT | FT | SBR | LE | TSS | OS | NSH | WS | MI | DT | NB |
|-----|----|-----|----|-----|-----|----|-----|----|-----|----|-----|----|----|----|----|
| ✓   | ✓  | ✓   |    | ✓   | ✓   |    |     |    |     | ✓  | ✓   | ✓  | ✓  |    |    |



Custom Size Ranges  
 Width: 15" – 36"  
 Height: 30" – 72"  
 Depth: 5-1/2" – 27"

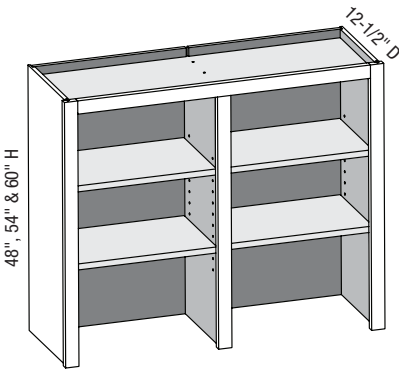
- Solid wood shelves not available with matching specie interior option.
- 30" – 35-15/16" high has one shelf.
- 36" – 47-15/16" high has two shelves.
- 48" – 59-15/16" high has three shelves.
- 60" – 72" high has four shelves.

| 48" High | 54" High | 60" High |
|----------|----------|----------|
| WOBS1548 | WOBS1554 | WOBS1560 |
| WOBS1848 | WOBS1854 | WOBS1860 |
| WOBS2148 | WOBS2154 | WOBS2160 |
| WOBS2448 | WOBS2454 | WOBS2460 |
| WOBS2748 | WOBS2754 | WOBS2760 |
| WOBS3048 | WOBS3054 | WOBS3060 |
| WOBS3348 | WOBS3354 | WOBS3360 |
| WOBS3648 | WOBS3654 | WOBS3660 |

**Options Key:** EXP = Exposed End(s) FL = Flush End(s) FUE = Flush Unexposed End(s) SS = Shaped Side PFD = Prep for False Door  
 EXT = Extended Stile(s) FT = Flush Toe SBR = Shaped Bottom Rail LE = Leg Extension TSS = Toe Space Side OS = Omit Shelving  
 NSH = No Shelf Holes WS = Solid Wood Shelves MI = Matching Interior DT = Dust Top NB = Natural Finished Bottom

**WOBSCS/CSWOBSCS – Wall Open Bookshelf w/Center Stile**

| EXP | FL | FUE | SS | PFD | EXT | FT | SBR | LE | TSS | OS | NSH | WS | MI | DT | NB |
|-----|----|-----|----|-----|-----|----|-----|----|-----|----|-----|----|----|----|----|
| ✓   | ✓  | ✓   |    | ✓   | ✓   |    |     |    |     | ✓  | ✓   | ✓  | ✓  |    |    |

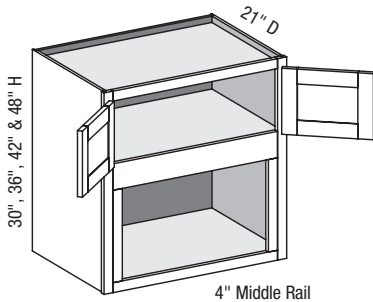


Custom Size Ranges  
Width: 36" – 72"  
Height: 30" – 72"  
Depth: 5-1/2" – 27"

- Fixed vertical partition with independently adjustable shelves.
- Solid wood shelves not available with matching specie interior option.
- 30" – 35-15/16" high has two shelves.
- 36" – 47-15/16" high has four shelves.
- 48" – 59-1/16" high has six shelves.
- 60" – 72" high has eight shelves.

| 48" High   | 54" High   | 60" High   |
|------------|------------|------------|
| WOBSCS3648 | WOBSCS3654 | WOBSCS3660 |
| WOBSCS3948 | WOBSCS3954 | WOBSCS3960 |
| WOBSCS4248 | WOBSCS4254 | WOBSCS4260 |
| WOBSCS4548 | WOBSCS4554 | WOBSCS4560 |
| WOBSCS4848 | WOBSCS4854 | WOBSCS4860 |
| WOBSCS5148 | WOBSCS5154 | WOBSCS5160 |
| WOBSCS5448 | WOBSCS5454 | WOBSCS5460 |
| WOBSCS5748 | WOBSCS5754 | WOBSCS5760 |
| WOBSCS6048 | WOBSCS6054 | WOBSCS6060 |
| WOBSCS6348 | WOBSCS6354 | WOBSCS6360 |
| WOBSCS6648 | WOBSCS6654 | WOBSCS6660 |
| WOBSCS6948 | WOBSCS6954 | WOBSCS6960 |
| WOBSCS7248 | WOBSCS7254 | WOBSCS7260 |

**WMB/CSWMB - Wall Microwave Built-in w/Butt Doors**



| EXP | FL | FUE | SS | PFD | EXT | FT | SBR | LE | TSS | OS | NSH | WS | MI | DT | NB |
|-----|----|-----|----|-----|-----|----|-----|----|-----|----|-----|----|----|----|----|
| ✓   | ✓  | ✓   |    | ✓   | ✓   |    |     |    |     | ✓  | ✓   |    | ✓  |    | ✓  |

Custom Size Ranges  
Width: 24" – 36"  
Height: 30" – 72"  
Depth: 18" – 27"

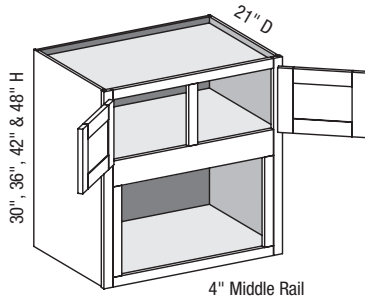
- Bottom opening height 14" on 30" – 35-15/16" height, 15-1/2" on all other heights. Trimmable to 2-1/2".
- Bottom opening width 6" less than cabinet width. Trimmable to 3".
- 30" – 41-15/16" high has no shelves.
- 42" – 48" high has one shelf.
- 48-1/16" – 66" high has two shelves.
- 66-1/16" – 72" high has three shelves.

| 30" High  | 36" High  | 42" High  | 48" High  |
|-----------|-----------|-----------|-----------|
| WMB2730BD | WMB2736BD | WMB2742BD | WMB2748BD |
| WMB3030BD | WMB3036BD | WMB3042BD | WMB3048BD |

**Options Key:** EXP = Exposed End(s) FL = Flush End(s) FUE = Flush Unexposed End(s) SS = Shaped Side PFD = Prep for False Door  
EXT = Extended Stile(s) FT = Flush Toe SBR = Shaped Bottom Rail LE = Leg Extension TSS = Toe Space Side OS = Omit Shelving  
NSH = No Shelf Holes WS = Solid Wood Shelves MI = Matching Interior DT = Dust Top NB = Natural Finished Bottom



**WMB/CSWMBCS - Wall Microwave Built-in w/Center Stile**



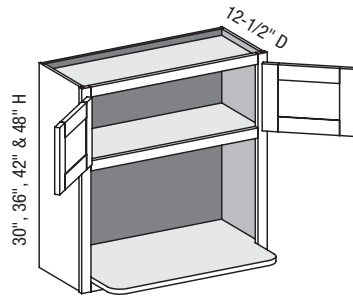
| EXP | FL | FUE | SS | PFD | EXT | FT | SBR | LE | TSS | OS | NSH | WS | MI | DT | NB |
|-----|----|-----|----|-----|-----|----|-----|----|-----|----|-----|----|----|----|----|
| ✓   | ✓  | ✓   |    | ✓   | ✓   |    |     |    |     | ✓  | ✓   |    | ✓  |    | ✓  |

Custom Size Ranges  
 Width: 27" – 36"  
 Height: 30" – 72"  
 Depth: 18" – 27"

- Bottom opening height 14" on 30" – 35-15/16" height; 15-1/2" on all others. Trimmable to 2-1/2".
- Bottom opening width 6" less than cabinet width. Trimmable to 3".
- 30" – 41-15/16" high has no shelves.
- 42" – 48" high has one shelf.
- 48-1/16" – 66" high has two shelves.
- 66-1/16" – 72" high has three shelves.

| 30" High | 36" High | 42" High | 48" High |
|----------|----------|----------|----------|
| WMB2730  | WMB2736  | WMB2742  | WMB2748  |
| WMB3030  | WMB3036  | WMB3042  | WMB3048  |

**WMWS/CSWMWS - Wall Microwave with Shelf w/Butt Doors**



| EXP | FL | FUE | SS | PFD | EXT | FT | SBR | LE | TSS | OS | NSH | WS | MI | DT | NB |
|-----|----|-----|----|-----|-----|----|-----|----|-----|----|-----|----|----|----|----|
| ✓   | ✓  | ✓   |    | ✓   | ✓   |    |     |    |     | ✓  | ✓   |    | ✓  |    | ✓  |

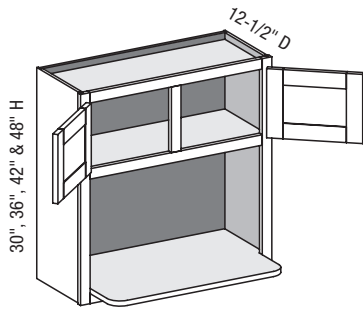
Custom Size Ranges  
 Width: 24" – 36"  
 Height: 30" – 72"  
 Depth: 5-1/2" – 27"

- 18" deep matching specie plywood microwave shelf.
- Soft Maple uses Hard Maple plywood shelf.
- When height changes, upper opening height changes. Lower opening height fixed at 16-1/2".
- Edge of lower shelf is plywood banded with matching specie veneer.
- 30" – 41-15/16" high has no shelves.
- 42" – 48" high has one shelf.
- 48-1/16" – 60" high has two shelves.
- 60-1/16" – 72" high has three shelves.

| 30" High   | 36" High   | 42" High   | 48" High   |
|------------|------------|------------|------------|
| WMWS2430BD | WMWS2436BD | WMWS2442BD | WMWS2448BD |
| WMWS2730BD | WMWS2736BD | WMWS2742BD | WMWS2748BD |
| WMWS3030BD | WMWS3036BD | WMWS3042BD | WMWS3048BD |

**Options Key:** EXP = Exposed End(s) FL = Flush End(s) FUE = Flush Unexposed End(s) SS = Shaped Side PFD = Prep for False Door  
 EXT = Extended Stile(s) FT = Flush Toe SBR = Shaped Bottom Rail LE = Leg Extension TSS = Toe Space Side OS = Omit Shelving  
 NSH = No Shelf Holes WS = Solid Wood Shelves MI = Matching Interior DT = Dust Top NB = Natural Finished Bottom

**WMWS/CSWMWSCS - Wall Microwave with Shelf w/Center Stile**



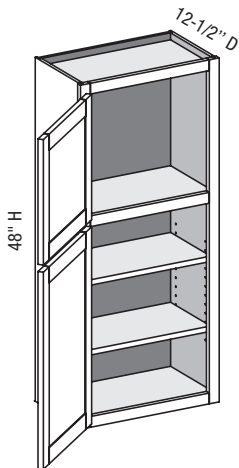
| EXP | FL | FUE | SS | PFD | EXT | FT | SBR | LE | TSS | OS | NSH | WS | MI | DT | NB |
|-----|----|-----|----|-----|-----|----|-----|----|-----|----|-----|----|----|----|----|
| ✓   | ✓  | ✓   |    | ✓   | ✓   |    |     |    |     | ✓  | ✓   |    | ✓  |    | ✓  |

Custom Size Ranges  
Width: 27" – 36"  
Height: 30" – 72"  
Depth: 5-1/2" – 27"

- 18" deep matching specie plywood microwave shelf.
- Soft Maple uses Hard Maple plywood shelf.
- When height changes, upper opening height changes. Lower opening height fixed at 16-1/2".
- Edge of lower shelf is plywood banded with matching specie veneer.
- 30" – 48" high has one shelf.
- 48-1/16" – 60" high has two shelves.
- 60-1/16" – 72" high has three shelves.

| 30" High | 36" High | 42" High | 48" High |
|----------|----------|----------|----------|
| WMWS2730 | WMWS2736 | WMWS2742 | WMWS2748 |
| WMWS3030 | WMWS3036 | WMWS3042 | WMWS3048 |

**TTW/CSTTW - Two Tiered Wall**



| EXP | FL | FUE | SS | PFD | EXT | FT | SBR | LE | TSS | OS | NSH | WS | MI | DT | NB |
|-----|----|-----|----|-----|-----|----|-----|----|-----|----|-----|----|----|----|----|
| ✓   | ✓  | ✓   |    | ✓   | ✓   |    |     |    |     | ✓  | ✓   | ✓  | ✓  |    | ✓  |

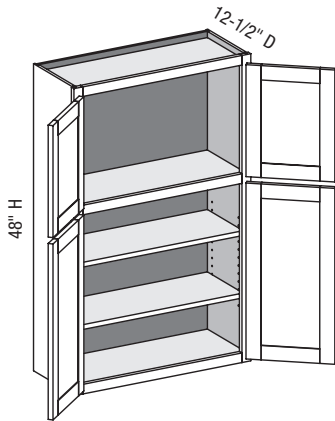
Custom Size Ranges  
Width: 12" – 24"  
Height: 48" – 72"  
Depth: 5-1/2" – 27"

- When height changes, lower opening height changes. Upper opening height fixed at 16-1/2".
- Lower section designed to align with adjacent wall cabinets. Add 18" to adjacent cabinet to determine TTW cabinet height.
- 48" – 60" high has two shelves.
- 60-1/16" – 72" high has three shelves.
- Specify single or butt doors on custom size cabinets 24" wide.

| 48" High |         |
|----------|---------|
| TTW1248  | TTW2148 |
| TTW1548  | TTW2448 |
| TTW1848  |         |

**Options Key:** EXP = Exposed End(s) FL = Flush End(s) FUE = Flush Unexposed End(s) SS = Shaped Side PFD = Prep for False Door  
EXT = Extended Stile(s) FT = Flush Toe SBR = Shaped Bottom Rail LE = Leg Extension TSS = Toe Space Side OS = Omit Shelving  
NSH = No Shelf Holes WS = Solid Wood Shelves MI = Matching Interior DT = Dust Top NB = Natural Finished Bottom

**TTW/CSTTW - Two Tiered Wall w/Butt Doors**



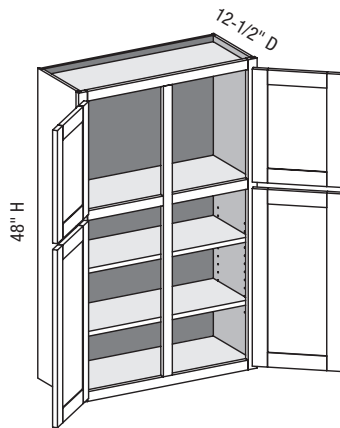
| EXP | FL | FUE | SS | PFD | EXT | FT | SBR | LE | TSS | OS | NSH | WS | MI | DT | NB |
|-----|----|-----|----|-----|-----|----|-----|----|-----|----|-----|----|----|----|----|
| ✓   | ✓  | ✓   |    | ✓   | ✓   |    |     |    |     | ✓  | ✓   | ✓  | ✓  |    | ✓  |

Custom Size Ranges  
Width: 24" – 36"  
Height: 48" – 72"  
Depth: 5-1/2" – 27"

- When height changes, lower opening height changes. Upper opening height fixed at 16-1/2".
- Lower section designed to align with adjacent wall cabinets. Add 18" to adjacent cabinet to determine TTW cabinet height.
- 48" – 60" high has two shelves.
- 60-1/16" – 72" high has three shelves.
- Specify single or butt doors on custom size cabinets 24" wide.

| 48" High  |           |
|-----------|-----------|
| TTW2448BD | TTW3348BD |
| TTW2748BD | TTW3648BD |
| TTW3048BD |           |

**TTW/CSTTWCS - Two Tiered Wall w/Center Stile**



| EXP | FL | FUE | SS | PFD | EXT | FT | SBR | LE | TSS | OS | NSH | WS | MI | DT | NB |
|-----|----|-----|----|-----|-----|----|-----|----|-----|----|-----|----|----|----|----|
| ✓   | ✓  | ✓   |    | ✓   | ✓   |    |     |    |     | ✓  | ✓   | ✓  | ✓  |    | ✓  |

Custom Size Ranges  
Width: 27" – 36"  
Height: 48" – 72"  
Depth: 5-1/2" – 27"

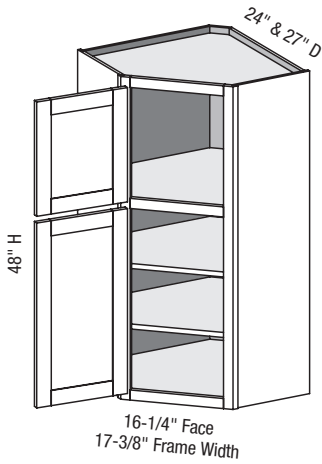
- When height changes, lower opening height changes. Upper opening height fixed at 16-1/2".
- Lower section designed to align with adjacent wall cabinets. Add 18" to adjacent cabinet to determine TTW cabinet height.
- 48" – 60" high has two shelves.
- 60-1/16" – 72" high has three shelves.

| 48" High |         |
|----------|---------|
| TTW2748  | TTW3948 |
| TTW3048  | TTW4248 |
| TTW3348  | TTW4548 |
| TTW3648  | TTW4848 |

**Options Key:** EXP = Exposed End(s) FL = Flush End(s) FUE = Flush Unexposed End(s) SS = Shaped Side PFD = Prep for False Door  
EXT = Extended Stile(s) FT = Flush Toe SBR = Shaped Bottom Rail LE = Leg Extension TSS = Toe Space Side OS = Omit Shelving  
NSH = No Shelf Holes WS = Solid Wood Shelves MI = Matching Interior DT = Dust Top NB = Natural Finished Bottom

### TTWCSE/CSTTWCE - Two Tiered Wall Corner Single Entry

| EXP | FL | FUE | SS | PFD | EXT | FT | SBR | LE | TSS | OS | NSH | WS | MI | DT | NB |
|-----|----|-----|----|-----|-----|----|-----|----|-----|----|-----|----|----|----|----|
| ✓   | ✓  | ✓   |    | ✓   |     |    |     |    |     | ✓  | ✓   | ✓  | ✓  |    | ✓  |



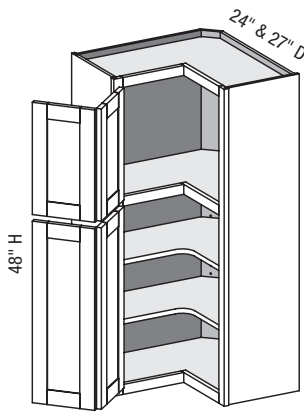
Custom Size Ranges  
 Width: 24", 27"  
 Height: 48" – 72"  
 Depth: 24", 27"

- TTWCSE24 units have 12-1/2" deep sides.
- TTWCSE27 units have 15-1/2" deep sides.
- Susan option is not available.
- When hinges are ordered in 1-1/4" and 1-3/8" overlay applications, cabinets will have their doors sized as 1/2" overlay in width only.
- If hinges are not specified, 1-1/4" and 1-3/8" overlay sizing rules apply. These overlays require adequate clearance for door functionality between corner and adjacent cabinets. Use filler or extended stiles accordingly.
- Lower section designed to align with adjacent wall cabinets. Add 18" to adjacent cabinet to determine TTW cabinet height.
- When height changes, lower opening height changes. Upper opening height fixed at 16-1/2".
- 48" – 60" high has two shelves.
- 60-1/16" – 72" high has three shelves.

| 48" High   |
|------------|
| TTWCSE2448 |
| TTWCSE2748 |

### TTWCP/CSTTWCP - Two Tiered Wall Corner Pie Cut

| EXP | FL | FUE | SS | PFD | EXT | FT | SBR | LE | TSS | OS | NSH | WS | MI | DT | NB |
|-----|----|-----|----|-----|-----|----|-----|----|-----|----|-----|----|----|----|----|
| ✓   | ✓  | ✓   |    | ✓   | ✓   |    |     |    |     | ✓  | ✓   | ✓  | ✓  |    | ✓  |



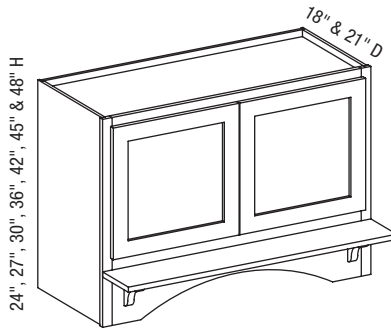
Custom Size Ranges  
 Width: 24", 27"  
 Height: 48" – 72"  
 Depth: 24", 27"

- TTWCP24 units have 12-1/2" deep sides.
- TTWCP27 units have 15-1/2" deep sides.
- Susan option is not available.
- Lower section designed to align with adjacent wall cabinets. Add 18" to adjacent cabinet to determine TTW cabinet height.
- When height changes, lower opening height changes. Upper opening height fixed at 16-1/2".
- 48" – 60" high has two shelves.
- 60-1/16" – 72" high has three shelves.

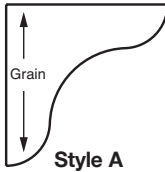
| 48" High  |
|-----------|
| TTWCP2448 |
| TTWCP2748 |

**Options Key:** EXP = Exposed End(s) FL = Flush End(s) FUE = Flush Unexposed End(s) SS = Shaped Side PFD = Prep for False Door  
 EXT = Extended Stile(s) FT = Flush Toe SBR = Shaped Bottom Rail LE = Leg Extension TSS = Toe Space Side OS = Omit Shelving  
 NSH = No Shelf Holes WS = Solid Wood Shelves MI = Matching Interior DT = Dust Top NB = Natural Finished Bottom

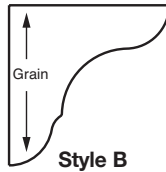
**RH/CSRH - Range Hood w/Butt Doors**



24", 27", 30", 36", 42", 45" & 48" H



Style A



Style B

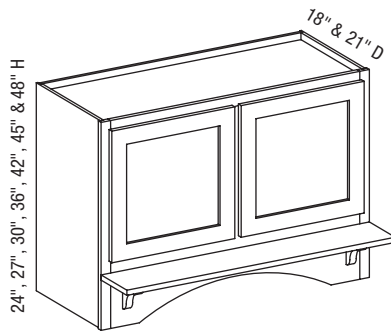
| EXP | FL | FUE | SS | PFD | EXT | FT | SBR | LE | TSS | OS | NSH | WS | MI | DT | NB |
|-----|----|-----|----|-----|-----|----|-----|----|-----|----|-----|----|----|----|----|
| ✓   | ✓  | ✓   |    | ✓   | ✓   |    |     |    |     |    |     |    | ✓  |    | ✓  |

Custom Size Ranges  
Width: 30" – 36"  
Height: 24" – 48"  
Depth: 18" – 21"

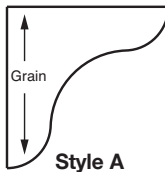
- Operable doors allow access to ventilation unit.
- Ventilators available through Stanisci Design. Phone Number: 248-572-6880.
- Roman Arch bottom rail standard - no options.
- Available with two bracket designs: Style A or B.
- Brackets are 1" thick, 6" high and 6" deep.
- Solid mantle shelf is 3/4" thick and 6-1/4" deep. Specify desired edge profile.
- Mantle shelf kit options (specify one):
  - Kit A - 2 Style A brackets and wood shelf
  - Kit B - 2 Style B brackets and wood shelf
  - Mantle shelf only
  - Style A only (pair)
  - Style B only (pair)
- Mantles and brackets not available on 24" – 29-15/16" high.

| 24" High | 27" High | 30" High | 36" High | 42" High | 45" High | 48" High |
|----------|----------|----------|----------|----------|----------|----------|
| RH3024BD | RH3027BD | RH3030BD | RH3036BD | RH3042BD | RH3045BD | RH3048BD |
| RH3324BD | RH3327BD | RH3330BD | RH3336BD | RH3342BD | RH3345BD | RH3348BD |
| RH3624BD | RH3627BD | RH3630BD | RH3636BD | RH3642BD | RH3645BD | RH3648BD |

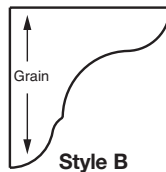
**RH/CSRHCS - Range Hood w/Center Stile**



24", 27", 30", 36", 42", 45" & 48" H



Style A



Style B

| EXP | FL | FUE | SS | PFD | EXT | FT | SBR | LE | TSS | OS | NSH | WS | MI | DT | NB |
|-----|----|-----|----|-----|-----|----|-----|----|-----|----|-----|----|----|----|----|
| ✓   | ✓  | ✓   |    | ✓   | ✓   |    |     |    |     |    |     |    | ✓  |    | ✓  |

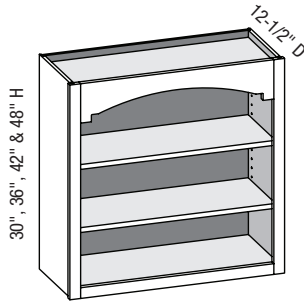
Custom Size Ranges  
Width: 36" – 48"  
Height: 24" – 48"  
Depth: 18" – 21"

- Operable doors allow access to ventilation unit.
- Ventilators available through Stanisci Design. Phone Number: 248-572-6880.
- Roman Arch bottom rail standard - no options.
- Available with two bracket designs: Style A or B.
- Brackets are 1" thick, 6" high and 6" deep.
- Solid mantle shelf is 3/4" thick and 6-1/4" deep. Specify desired edge profile.
- Mantle shelf kit options (specify one):
  - Kit A - 2 Style A brackets and wood shelf
  - Kit B - 2 Style B brackets and wood shelf
  - Mantle shelf only
  - Style A only (pair)
  - Style B only (pair)
- Mantles and brackets not available on 24" – 29-15/16" high.

| 24" High | 27" High | 30" High | 36" High | 42" High | 45" High | 48" High |
|----------|----------|----------|----------|----------|----------|----------|
| RH3624   | RH3627   | RH3630   | RH3636   | RH3642   | RH3645   | RH3648   |
| RH3924   | RH3927   | RH3930   | RH3936   | RH3942   | RH3945   | RH3948   |
| RH4224   | RH4227   | RH4230   | RH4236   | RH4242   | RH4245   | RH4248   |
| RH4524   | RH4527   | RH4530   | RH4536   | RH4542   | RH4545   | RH4548   |
| RH4824   | RH4827   | RH4830   | RH4836   | RH4842   | RH4845   | RH4848   |

**Options Key:** EXP = Exposed End(s) FL = Flush End(s) FUE = Flush Unexposed End(s) SS = Shaped Side PFD = Prep for False Door  
EXT = Extended Stile(s) FT = Flush Toe SBR = Shaped Bottom Rail LE = Leg Extension TSS = Toe Space Side OS = Omit Shelving  
NSH = No Shelf Holes WS = Solid Wood Shelves MI = Matching Interior DT = Dust Top NB = Natural Finished Bottom

### WOU/CSWOU - Wall Open Unit



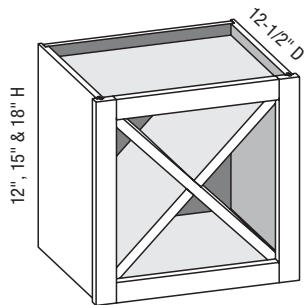
| EXP | FL | FUE | SS | PFD | EXT | FT | SBR | LE | TSS | OS | NSH | WS | MI  | DT | NB |
|-----|----|-----|----|-----|-----|----|-----|----|-----|----|-----|----|-----|----|----|
| ✓   | ✓  |     |    | ✓   | ✓   |    |     |    |     | ✓  | ✓   |    | STD |    | ✓  |

Custom Size Ranges  
 Width: 15" – 48"  
 Height: 30" – 72"  
 Depth: 5-1/2" – 27"

- Available with valance designs on top rail (see pg. 11.4 for valance options); to order specify using CWS designations associated with the valance designs.
- Top rail is 5-1/2" for all valance designs.
- If no valance design is selected, top rail is 1-1/2" high.
- Minimum width is 15".
- 18" – 24" high has one shelf.
- 24-1/16" – 36" high has two shelves.
- 36-1/16" – 48" high has three shelves.
- 48-1/16" – 59-15/16" high has four shelves.
- 60" – 72" high has five shelves.

| 30" High | 36" High | 42" High | 48" High |
|----------|----------|----------|----------|
| WOU3030  | WOU3036  | WOU3042  | WOU3048  |
| WOU3330  | WOU3336  | WOU3342  | WOU3348  |
| WOU3630  | WOU3636  | WOU3642  | WOU3648  |
| WOU3930  | WOU3936  | WOU3942  | WOU3948  |
| WOU4230  | WOU4236  | WOU4242  | WOU4248  |
| WOU4530  | WOU4536  | WOU4542  | WOU4548  |
| WOU4830  | WOU4836  | WOU4842  | WOU4848  |

### WXC/CSWXC - Wall X Cube Cabinet



| EXP | FL | FUE | SS | PFD | EXT | FT | SBR | LE | TSS | OS  | NSH | WS | MI  | DT | NB |
|-----|----|-----|----|-----|-----|----|-----|----|-----|-----|-----|----|-----|----|----|
| ✓   | ✓  |     |    | ✓   | ✓   |    |     |    |     | STD | STD |    | STD |    | ✓  |

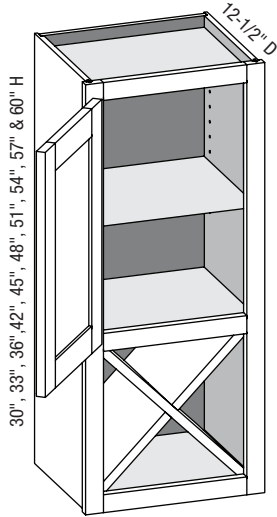
Custom Size Ranges  
 Width: 12", 15", 18"  
 Height: 12", 15", 18"  
 Depth: 5-1/2" – 15-1/2"

- "X" insert constructed from 3/4" matching specie plywood.
- When ordering custom size cabinets, width and height must be equal.
- Top and bottom rails extend into the opening 1/8" to conceal ends of "X" insert after installation.

| 12" High | 15" High | 18" High |
|----------|----------|----------|
| WXC1212  | WXC1515  | WXC1818  |

**Options Key:** EXP = Exposed End(s) FL = Flush End(s) FUE = Flush Unexposed End(s) SS = Shaped Side PFD = Prep for False Door  
 EXT = Extended Stile(s) FT = Flush Toe SBR = Shaped Bottom Rail LE = Leg Extension TSS = Toe Space Side OS = Omit Shelving  
 NSH = No Shelf Holes WS = Solid Wood Shelves MI = Matching Interior DT = Dust Top NB = Natural Finished Bottom

**W1X/CSW1X - Wall One Door X Cube Cabinet**



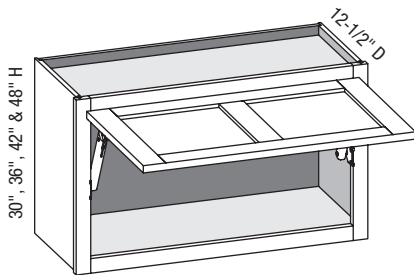
| EXP | FL | FUE | SS | PFD | EXT | FT | SBR | LE | TSS | OS | NSH | WS | MI  | DT | NB |
|-----|----|-----|----|-----|-----|----|-----|----|-----|----|-----|----|-----|----|----|
| ✓   | ✓  |     |    | ✓   | ✓   |    |     |    |     | ✓  | ✓   |    | STD |    |    |

Custom Size Ranges  
Width: 12", 15", 18"  
Height: 30" – 72"  
Depth: 5-1/2" – 15-1/2"

- When height changes, upper section increases.
- Lower section height is equal to the cabinet width to maintain X insert sizing.
- "X" insert constructed from 3/4" matching specie plywood.
- Top and bottom rails in lower section extend into the opening 1/8" to conceal ends of "X" insert after installation.
- 30" – 35-15/16" high has one shelf.
- 36" – 47-15/16" high has two shelves.
- 48" – 59-15/16" high has three shelves.
- 60" – 72" high has four shelves.

| 30" High | 33" High | 36" High | 42" High | 45" High | 48" High | 51" High | 54" High | 57" High | 60" High |
|----------|----------|----------|----------|----------|----------|----------|----------|----------|----------|
| W1X1230  | W1X1233  | W1X1236  | W1X1242  | W1X1245  | W1X1248  | W1X1251  | W1X1254  | W1X1257  | W1X1260  |
| W1X1530  | W1X1533  | W1X1536  | W1X1542  | W1X1545  | W1X1548  | W1X1551  | W1X1554  | W1X1557  | W1X1560  |
| W1X1830  | W1X1833  | W1X1836  | W1X1842  | W1X1845  | W1X1848  | W1X1851  | W1X1854  | W1X1857  | W1X1860  |

**WHKXS/CSWHKXS - Wall w/HK-XS Lift System**



| EXP | FL | FUE | SS | PFD | EXT | FT | SBR | LE | TSS | OS | NSH | WS | MI | DT | NB |
|-----|----|-----|----|-----|-----|----|-----|----|-----|----|-----|----|----|----|----|
| ✓   | ✓  | ✓   |    | ✓   | ✓   |    |     |    |     | ✓  | ✓   | ✓  | ✓  |    | ✓  |

Custom Size Ranges  
Width: 15" – 36"  
Height: 12" – 24"  
Depth: 6-1/2" – 27"

- Preconfigured units include Blum HK-XS Series lift system hardware and Blum COMPACT hinges.
- Door weight and design determine the strength and quantity of lift mechanisms provided.
- Cabinet width 15" – 24" are single panel door designs. 24-1/16" – 36" are two panels side by side. Upcharges for 2 panel door apply.
- Rabbeted edge profiles and inset/prefit options are not available.
- 12" – 18" high has no shelves.
- 18-1/16" – 24" high has one shelf.

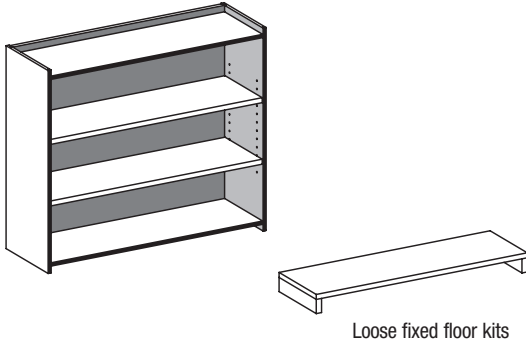
| 12" High  | 15" High  | 18" High  | 21" High  | 24" High  |
|-----------|-----------|-----------|-----------|-----------|
| WHKXS1512 | WHKXS1515 | WHKXS1518 | WHKXS1521 | WHKXS1524 |
| WHKXS1812 | WHKXS1815 | WHKXS1818 | WHKXS1821 | WHKXS1824 |
| WHKXS2112 | WHKXS2115 | WHKXS2118 | WHKXS2121 | WHKXS2124 |
| WHKXS2412 | WHKXS2415 | WHKXS2418 | WHKXS2421 | WHKXS2424 |
| WHKXS2712 | WHKXS2715 | WHKXS2718 | WHKXS2721 | WHKXS2724 |
| WHKXS3012 | WHKXS3015 | WHKXS3018 | WHKXS3021 | WHKXS3024 |
| WHKXS3312 | WHKXS3315 | WHKXS3318 | WHKXS3321 | WHKXS3324 |
| WHKXS3612 | WHKXS3615 | WHKXS3618 | WHKXS3621 | WHKXS3624 |

**Options Key:** EXP = Exposed End(s) FL = Flush End(s) FUE = Flush Unexposed End(s) SS = Shaped Side PFD = Prep for False Door  
EXT = Extended Stile(s) FT = Flush Toe SBR = Shaped Bottom Rail LE = Leg Extension TSS = Toe Space Side OS = Omit Shelving  
NSH = No Shelf Holes WS = Solid Wood Shelves MI = Matching Interior DT = Dust Top NB = Natural Finished Bottom

**CSWCO - Wall Case Only**

| EXP | FL | FUE | SS | PFD | EXT | FT | SBR | LE | TSS | OS | NSH | WS | MI | DT | NB |
|-----|----|-----|----|-----|-----|----|-----|----|-----|----|-----|----|----|----|----|
| ✓   | ✓  | ✓   |    | ✓   |     |    |     |    |     | ✓  | ✓   | ✓  | ✓  |    | ✓  |

Custom Size Ranges  
Width: 9" – 48"  
Height: 12" – 120"  
Depth: 5-1/2" – 30"



- Customizable cabinet case for custom wall and tall applications.
- Use Conestoga's online ordering system, Con-Nex or contact Customer Service for pricing of case only.
- No front frame included – case only. Order custom size front frame and doors.
- Sides are machined with shelf holes.
- Loose fixed floor kits are sized to fit between sides. Plywood cleats included to mount floors as needed behind front frame openings. Floors include pre-inserted splines.
- Matching specie interior is not available over 96" high. Natural Birch UV material will be used.
- Custom quantities of fixed floor kits are available. Specify the quantity per cabinet.
- 12" – 18" high has no shelves.
- 18-1/16" – 24" high has one shelf.
- 24-1/16" – 36" high has two shelves.
- 36-1/16" – 48" high has three shelves.
- 48-1/16" – 59-15/16" high has four shelves.
- 60" – 72-15/16" high has five shelves.
- 73" – 84-15/16" high has six shelves.
- 85" – 90-15/16" high has seven shelves.
- 91" – 96-15/16" high has eight shelves.
- 97" – 108-15/16" high has nine shelves.
- 109" – 120" high has 10 shelves.

**Options Key:** EXP = Exposed End(s) FL = Flush End(s) FUE = Flush Unexposed End(s) SS = Shaped Side PFD = Prep for False Door  
EXT = Extended Stile(s) FT = Flush Toe SBR = Shaped Bottom Rail LE = Leg Extension TSS = Toe Space Side OS = Omit Shelving  
NSH = No Shelf Holes WS = Solid Wood Shelves MI = Matching Interior DT = Dust Top NB = Natural Finished Bottom