

BACKYARD SLINGSHOT

BUILD TIME = 1 DAY | EST. COST TO BUILD = \$45 | SKILL LEVEL = BEGINNER



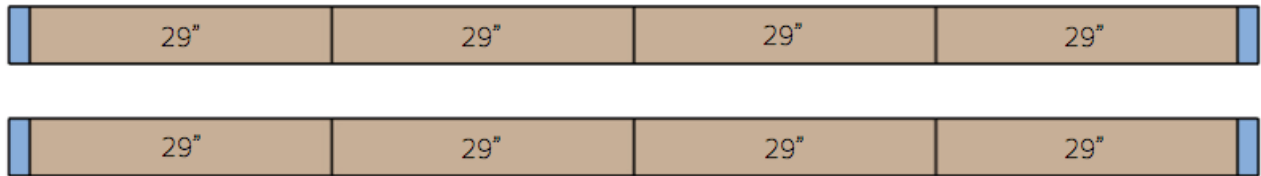
REQUIRED TOOLS

- Drill / Driver
- Miter Saw
- Jig Saw
- Tape Measure
- Pencil
- Safety Glasses
- Hearing Protection

MATERIALS

- 2-1/2" Exterior Wood Screws
- Qty 2 - 5/4 x 6 x 10'
- Qty 2 - 2 x 4 x 10'
- Qty 2 - 3/8" Carriage Bolts
- Qty 2 - 3/8" Washers
- Qty 2 - 3/8" Wing Nuts
- Qty 2 - Exterior Hooks
- Water Ballon Launcher

5/4 x 6 x 10' (Qty 2)

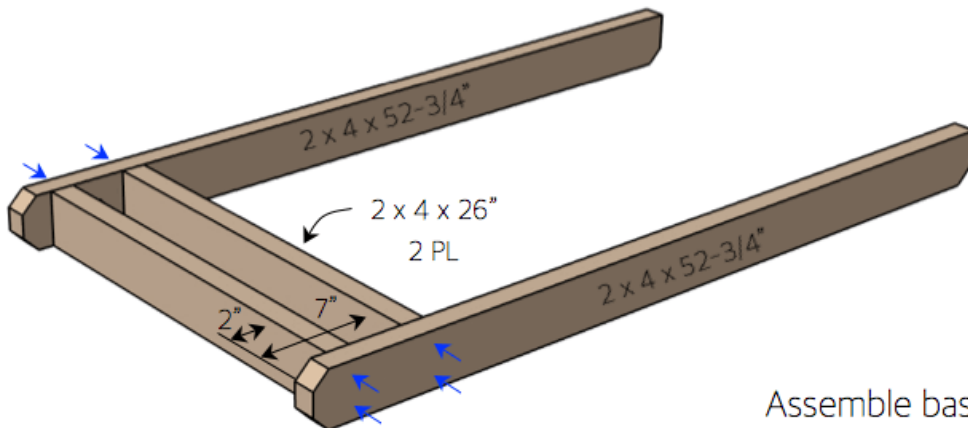


2 x 4 x 10' (Qty 2)



Note: All mitered corners shown are 45 degrees at 1"

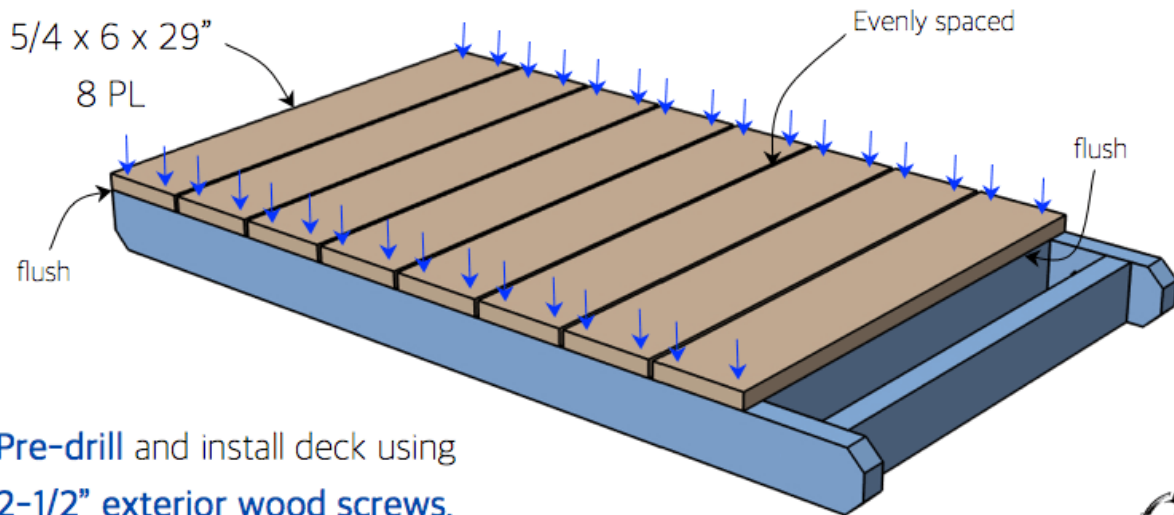
Step 1: Assemble Base



Assemble base using
2-1/2" exterior wood screws



Step 2: Install Deck



Step 3: Final Assembly

